

WIPAIRE INC.
INVER GROVE HTS., MN.

DATE: DECEMBER 26, 1984

REVISED: October 29, 1992

SERVICE KIT: # 6

SUBJECT: Main Gear Oleo, O'ring Replacement

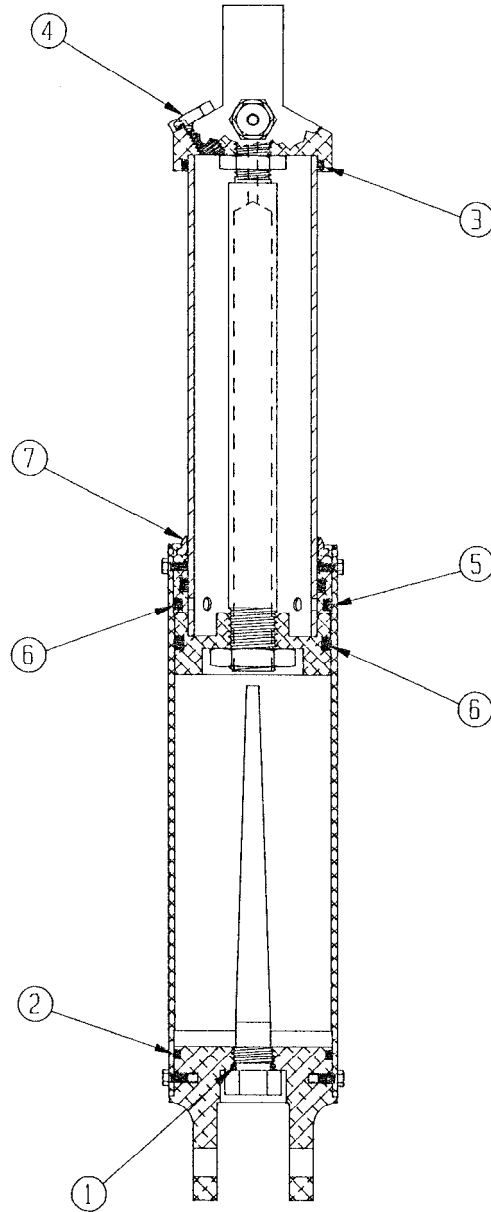
MODEL: 6000 & 8000 Amphibious Floats (Beaver & Caravan)

<u>ITEM</u>	<u>QTY</u>	<u>PART NO</u>	<u>DESCRIPTION</u>
1.	1	AN6227-14	O'ring - metering pin
2.	1	AN6230-12	O'ring - end cap, lower end
3.	1	AN6230-9	O'ring - end cap, upper end
4.	1	AN6227-9	O'ring - cap plug, upper end
5.	1	AN6227-37	O'ring - cylinder retainer
6.	2	AN6227-39	O'ring - piston
7.	1	6A04743-001	Wiper ring (6A3-2270)

NOTES:

1. 6000 Beaver struts after ass'y fill cylinder with 1050 +/- 20 ML Hydraulic fluid (Mil-H-5606) and pressurize to 145 +/-10 PSI.
2. 8000 Caravan struts after ass'y fill cylinder with 1140 +/- 20 ML Hydraulic fluid (Mil-H-5606) and pressurize to 210 +/-10 PSI.
3. Coat all threads and joints with LPS 100 or equivalent lubricant for corrosion protection.

SERVICE KIT No. 6



REVISED: 11/19/92
DATE: 12/26/84
PAGE: 2 OF 2