

DATE: July 27, 1998

SERVICE KIT: #23

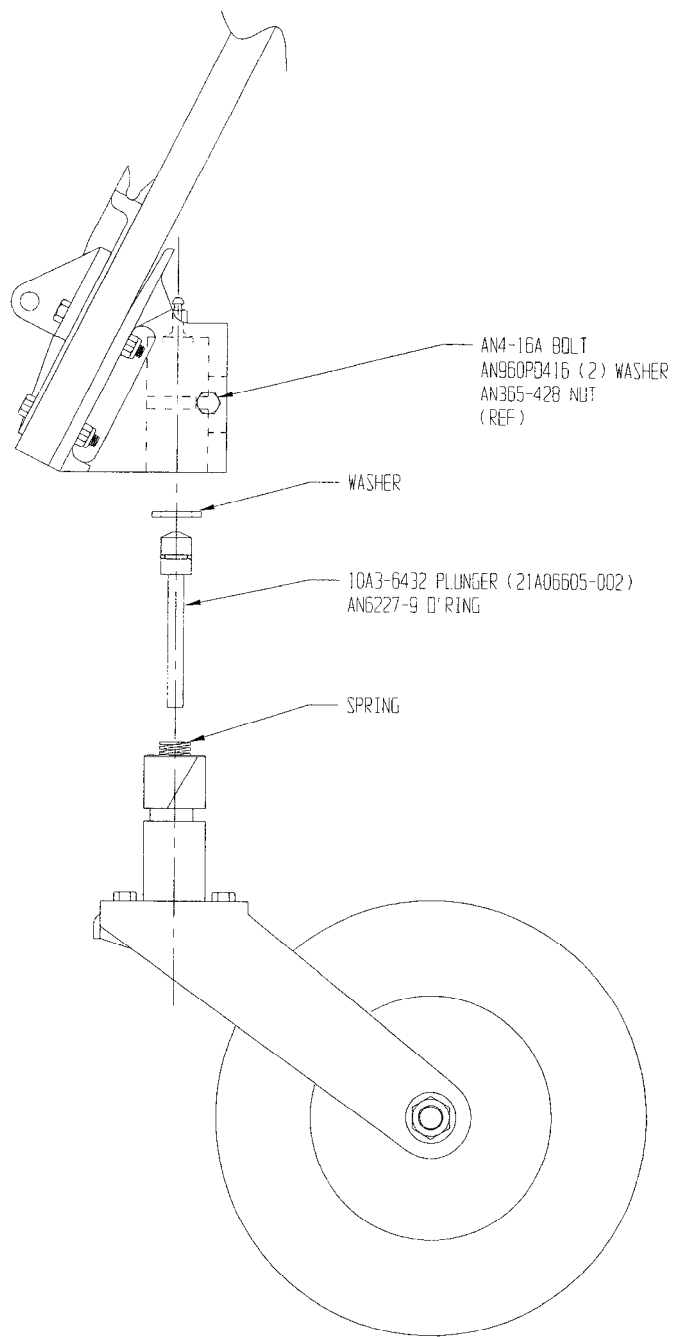
SUBJECT: Replacement of Nose Wheel Pivot Block Plunger

MODEL: Wipline Model 2100, and 2350 floats

<u>Item</u>	<u>Quantity</u>	<u>Part No.</u>	<u>Description</u>
1.	1	21A06605-002 (10A3-6432)	Plunger
2.	1	SKETCH	Instl. Plunger
3.	1	#41	Service Letter

INSTRUCTIONS:

1. Raise front of floats so nose wheel does not contact ground.
2. Disassemble pivot block, remove plunger, and replace with new one, see sketch.
3. Reassemble.
4. Lower floats to ground.



SERVICE KIT 23
INSTAL. PLUNGER