



WIPLINE FLOATS • SKIS • MODIFICATIONS • AIRCRAFT SALES  
AVIONICS • INTERIOR • MAINTENANCE • PAINT REFINISHING

---



# **PARTS MANUAL FOR WIPLINE 8750 FLOATS**

THIS PAGE INTENTIONALLY LEFT BLANK

**WIPLINE MODEL 8750 PARTS MANUAL  
TABLE OF CONTENTS**

<b><u>SECTION</u></b>	<b><u>PAGE</u></b>
<b>LOG OF REVISIONS.....</b>	<b>7</b>
<b>FLOAT PART SALES DEPT. OPERATIONS.....</b>	<b>9</b>
PARTS ORDERING .....	9
DAMAGED GOODS .....	9
RETURNED PARTS.....	9
ORDER SHORTAGES .....	10
CREDIT POLICY.....	10
<b>LIST OF ABBREVIATIONS.....</b>	<b>10</b>
<b>NEW CUSTOMER INFORMATION .....</b>	<b>11</b>
<b>SECTION 1: HULL ASSEMBLY (AMPHIBIAN) .....</b>	<b>13</b>
HULL ASSEMBLY BULKHEADS LEFT FLOAT (AMPHIBIAN).....	14
HULL ASSEMBLY BULKHEADS RIGHT FLOAT (AMPHIBIAN).....	16
HULL SIDE SKIN ASSEMBLIES LEFT FLOAT (AMPHIBIAN) .....	18
HULL SIDE SKIN ASSEMBLIES RIGHT FLOAT (AMPHIBIAN) .....	20
HULL ASSEMBLY BOTTOM SKINS (AMPHIBIAN).....	22
HULL STRUCTURAL MEMBERS AND EXTRUSIONS (AMPHIBIAN) .....	24
PUMPER CUP INSTALLATION .....	26
PUMPER TUBE INSTALLATION .....	28
BUOYANCY FOAM LEFT FLOAT .....	30
BUOYANCY FOAM RIGHT FLOAT.....	31
BAGGAGE FLOOR.....	32
<b>SECTION 2: TOP DECK ASSEMBLY .....</b>	<b>33</b>
DECK ASSEMBLY LEFT FLOAT (AMPHIBIAN) .....	34
TOP DECK ASSEMBLY RIGHT FLOAT (AMPHIBIAN).....	36
TOP DECK SUB STRUCTURE (AMPHIBIAN) .....	38
<b>SECTION 3: BULKHEAD ASSEMBLY .....</b>	<b>41</b>
ASS'Y., BULKHEAD 1 .....	42
ASS'Y., BULKHEAD 2.....	43
ASS'Y., BULKHEAD 3.....	44
ASS'Y., BULKHEAD 4 LEFT FLOAT .....	46
ASS'Y., BULKHEAD 4 RIGHT FLOAT.....	48
ASS'Y., BULKHEAD 5 LEFT FLOAT .....	50
ASS'Y., BULKHEAD 5 RIGHT FLOAT.....	52
ASS'Y., BULKHEAD 6.....	54
ASS'Y., BULKHEAD 7.....	56
ASS'Y., BULKHEAD 8.....	58
ASS'Y., BULKHEAD 9.....	60
ASS'Y., TRUNION LEFT .....	62
ASS'Y., TRUNION RIGHT.....	63
<b>SECTION 4: WHEEL WELL ASSEMBLY .....</b>	<b>65</b>
ASS'Y., WHEEL WELL, LEFT FLOAT.....	66

ASS'Y., WHEEL WELL, RIGHT FLOAT .....	68
ASS'Y., CHANNEL, LH, MAIN GEAR.....	70
ASS'Y., CHANNEL, RH, MAIN GEAR .....	71
ASS'Y., WATER DEFLECTION PANEL .....	72
ASS'Y., BULKHEAD 10, LEFT FLOAT .....	74
ASS'Y., BULKHEAD 10, RIGHT FLOAT.....	78
ASS'Y., BULKHEAD 11, LEFT FLOAT (AMPHIBIAN) .....	82
ASS'Y., BULKHEAD 11, RIGHT FLOAT (AMPHIBIAN).....	84
ASS'Y., GEAR TUNNEL.....	86
ASS'Y., WHEEL WELL PANEL, LEFT.....	87
ASS'Y., WHEEL WELL PANEL, RIGHT .....	88
<b>SECTION 5: AFT BULKHEADS.....</b>	<b>89</b>
ASS'Y., BULKHEAD 12, LEFT FLOAT .....	90
ASS'Y., BULKHEAD 12, RIGHT FLOAT.....	91
ASS'Y., BULKHEAD 13.....	92
ASS'Y., BULKHEAD 14.....	93
ASS'Y., BULKHEAD 15.....	94
ASS'Y., BULKHEAD 16.....	95
ASS'Y., BULKHEAD 17.....	96
ASS'Y., BULKHEAD 18.....	97
ASS'Y., BULKHEAD 19.....	98
<b>SECTION 6: SKINS.....</b>	<b>101</b>
ASS'Y., SKIN, FWD, OBRD, LEFT FLOAT.....	102
ASS'Y., SKIN, FWD, OBRD, RIGHT FLOAT .....	103
ASS'Y., SKIN, SIDE, OUTBOARD, BH04-BH09 LEFT FLOAT.....	104
ASS'Y., SKIN, SIDE, INBOARD, BH04-BH09 LEFT FLOAT.....	105
ASS'Y., SKIN, SIDE, OUTBOARD, BH04-BH09 RIGHT FLOAT .....	106
ASS'Y., SKIN, SIDE, INBOARD, BH04-BH09 RIGHT FLOAT .....	107
ASS'Y., SKIN, SIDE, OUTBOARD, BH09-BH13 LEFT FLOAT.....	108
ASS'Y., SKIN, SIDE, INBOARD, BH09-BH13 LEFT FLOAT.....	109
ASS'Y., SKIN, SIDE, OUTBOARD, BH09-BH13 RIGHT FLOAT .....	110
ASS'Y., SKIN, SIDE, INBOARD, BH09-BH13 RIGHT FLOAT .....	111
ASS'Y., SKIN, SIDE, LEFT BH13-BH19 .....	112
ASS'Y., SKIN, SIDE, RIGHT BH13-BH19.....	113
<b>SECTION 7: LANDING GEAR .....</b>	<b>115</b>
ASS'Y., MAIN LANDING GEAR L/H.....	116
ASS'Y., MAIN LANDING GEAR R/H .....	120
ASS'Y., TOP ARM, MAIN GEAR .....	124
ASS'Y., ROTARY ACTUATOR, MAIN GEAR.....	126
ASS'Y., OLEO, SHOCK STRUT.....	128
ASS'Y., MAIN GEAR WHEEL .....	130
ASS'Y., MAIN GEAR AXLE .....	132
ASS'Y., DOWN STOP, MAIN GEAR, LEFT.....	134
ASS'Y., DOWN STOP, MAIN GEAR, RIGHT .....	135

ASS'Y., NOSE GEAR ACTUATOR .....136  
ASS'Y., NOSE BOX .....138  
ASS'Y., NOSE GEAR WHEEL .....140  
**SECTION 8: WATER RUDDER ASSEMBLY .....143**  
ASS'Y., WATER RUDDER .....144  
ASS'Y., 8A08000-079 WATER RUDDER W/DOUBLERS AND ARMS.....146  
**SECTION 9: PYLON ASSEMBLY .....147**  
ASS'Y., LEFT PYLON .....148  
ASS'Y., RIGHT PYLON.....150  
**SECTION 10: FORWARD STRUT FITTING .....153**  
INSTALLATION, FWD STRUT FITTING .....154  
**SECTION 11: HYDRAULIC SYSTEM .....157**  
ASS'Y., HYDRAULIC PUMP .....158  
HYDRAULIC PUMP, REVERSIBLE, 24VDC .....162  
ASS'Y., HYDRAULIC PUMP FILL SYSTEM.....164  
ASS'Y., HYDRAULIC HANDPUMP .....166  
HYDRAULIC SCHEMATICS .....169  
ASS'Y., GEAR SELECTOR, (UNI-DIRECTIONAL).....171  
ASS'Y., GEAR SELECTOR, (BI-DIRECTIONAL) .....173  
**SECTION 12: 8750 STRAIGHT FLOATS .....175**  
NOSE BUMPER.....176  
BULKHEAD 1 .....177  
BULKHEAD 2.....178  
KEEL AND BOTTOM SKINS.....179  
SIDE SKIN – LEFT FLOAT.....180  
SIDE SKIN – RIGHT FLOAT .....181  
TOP DECK – LEFT FLOAT .....182  
TOP DECK – RIGHT FLOAT.....183  
WHEEL WELL – LEFT FLOAT .....184  
WHEEL WELL – RIGHT FLOAT.....185  
ASSEMBLY, BULKHEAD 10 - LEFT FLOAT .....186  
ASSEMBLY, BULKHEAD 10 - RIGHT FLOAT.....188  
ASSEMBLY, BULKHEAD 11 - LEFT FLOAT .....190  
ASSEMBLY, BULKHEAD 11 - RIGHT FLOAT.....191  
ASSEMBLY, LEFT PANEL, WHEEL WELL.....192  
ASSEMBLY, RIGHT PANEL, WHEEL WELL .....193

**NOTE:**

**Parts information is provided in this manual for the hulls and all “deck down” parts. For information on strut package parts and other aircraft installation items, refer to the installation drawing package provided with the STC at the time of float installation. Additional drawing copies are available for purchase through the Wipaire Customer Service department.**

## LOG OF REVISIONS

REVISION	PAGES AFFECTED	DESCRIPTION	DATE
A	ALL	INITIAL RELEASE	12/18/2012
B	7, 14-15, 18-21, 26-27, 46-53, 60-61, 66-69, 74-80, 90-91, 98-99, 116-122, 124-129, 132-133, 136-142, 148-155, 158-164, 170-171	<p>ADDED: NEW LEFT/RIGHT FLOAT HULL IMAGE AND BOM, MAIN GEAR TOP ARM IMAGE AND BOM, HYDRAULIC PUMP FILL SYSTEM, PYLON IMAGE AND BOM, FWD STRUT FITTING IMAGE AND BOM, HYD SCHEMATIC, HYD. PUMP BOM</p> <p>REMOVED: HARDWARE FROM PUMPER CUP INSTALL AND BOM, WARRANTY CLAIM FORM, SNAP RING 155-00200</p> <p>UPDATED: ASSY. NOSE ACTUATOR IMAGE AND BOM, MAIN GEAR ASSY. IMAGE AND BOM, ROTARY ACTUATOR MAIN GEAR IMAGE AND BOM, ASSY. HYDRAULIC PUMP IMAGE AND BOM, MAIN GEAR AXLE IMAGE AND BOM, OLEO SHOCK STRUT IMAGE AND BOM, BLKHD 4, 5, 9, 10 12 AND 19 IMAGE AND BOM, ASS'Y WHEEL WELL.</p>	10/1/2015
C	3-7, 19, 21, 32, 35, 37, 70-71, 116-123, 128, 129, 131-133, 139, 141, 144-146, 149, 151, 158-161, 166-168, 175-193	<ul style="list-style-type: none"> <li>• Updated table of contents</li> <li>• MS28775-011 changed to MS28775-012</li> <li>• Called out main gear axle bushings 1001886-01/02</li> <li>• Changed step pockets from 3A01000-005 to 30A01000-358</li> <li>• Corrected AN526-832R6 to AN526-832R10 screws in baggage floor</li> <li>• Added 1002663 baggage lock rings to top deck assy BOM</li> <li>• New left and right main gear channel assembly figures, corrected MS21047L5 nutplate quantity from 2 to 4</li> <li>• Added 1002237 flange assembly part breakdown</li> <li>• New main gear figure and parts list</li> <li>• Called out AN834-4D bulkhead hydraulic fitting on drag link and brake line L/H and R/H figure</li> <li>• New water rudder figure and parts list</li> <li>• New main gear oleo image and BOM</li> <li>• Added 1009155/96 oil wheel bath bracket to pylon</li> <li>• Updated hydraulic pump figure and parts list</li> <li>• New hydraulic hand pump figure and parts list</li> <li>• Corrected 1003547 and 1003548 descriptions</li> <li>• Added 8750 straight parts (section 12)</li> <li>• Corrected 1004395 description</li> <li>• Corrected front nose tire from GY5 to 301-018-420</li> </ul>	8/22/2017

View most current version of parts manual at [www.wipaire.com](http://www.wipaire.com)

THIS PAGE INTENTIONALLY LEFT BLANK



## **FLOAT PART SALES DEPT. OPERATIONS**

Hours: 7:00 AM – 6:00 PM, Monday through Friday  
Central U.S. Time

Phone: 651-306-0459

Fax: 651-306-0666

Email: [customerservice@wipaire.com](mailto:customerservice@wipaire.com)

Website: [www.wipaire.com](http://www.wipaire.com)

### **Shipping Schedule:**

In-stock orders received before 3:00 PM CST ship the same day. Orders received after this time may be assessed an AOG fee for special priority handling.

As we are primarily a manufacturer, our stocks can be rapidly depleted by production requirements. Therefore, prices and availability are subject to change at any time. It is our intent to provide courteous and prompt service of your needs. Please let us know of any problem or concerns so that changes in these procedures can be a benefit to all.

## **PARTS ORDERING**

Purchase orders should include

1. P.O. Number
2. Name of person placing order
3. Invoicing information:
  - I. Customer name – company or individual
    - i. Address
    - ii. Phone and fax number
4. Shipping information:
  - I. Address (if different from invoice address)
  - II. Method of shipment/preferred carrier
5. Aircraft model, float model and serial numbers
6. Wipaire part number; name; type, e.g. left or right; quantity
7. Payment method: VIS A, MasterCard, COD (U.S. customers only). Pre-payment by check or wire transfer, open account (see credit policy section).

## **DAMAGED GOODS**

Inspect all parts upon receipt. Damages to parts in transit must be filed as a claim against the carrier.

## **RETURNED PARTS**

Written explanation of reason for return must accompany parts, including invoice number of original shipment. Shipping charges on returned parts must be prepaid or the shipment will be refused.

## ORDER SHORTAGES

Check shipment against delivery slip immediately. All claims for any shortages should be made within three (3) days after order receipt.

## CREDIT POLICY

Parts will be shipped on open account, net 30 days, to Wipaire-approved credit customers only. A balance due over 60 days will result in no shipments. Wipaire, Inc reserves the right to send any order C.O.D.

## LIST OF ABBREVIATIONS

All references in this manual to LEFT and RIGHT are from the perspective of the pilot's seat with the floats fully installed and ready for floatplane operation. The following is a list of abbreviations that may appear in the description nomenclature fields of this manual:

AB	Afterbody	Inbd.	Inboard
Amphib.	Amphibious	Lg.	Large
AR	As Required	Lt.	Left
Assy.	Assembly	Lwr.	Lower
Brkt.	Bracket	Opt.	Optional
Btm.	Bottom	Otbd.	Outboard
Bulkhd.	Bulkhead	Reinf.	Reinforcement
Ctr.	Center	Rr.	Rear
Cyl.	Cylinder	Rt.	Right
Ft.	Front	Sm.	Small
Ftg.	Fitting	SN	Serial Number
Fus.	Fuselage	Spr.	Spreader
Fwd.	Forward	Upr.	Upper
Horiz.	Horizontal	Vert.	Vertical
Hyd.	Hydraulic	W.W.	Wheel Well



**NEW CUSTOMER INFORMATION**

<b>Customer Name</b>	
<b>Billing Address</b>	
<b>Shipping address</b>	
Phone Number	Fax Number
Purchasing Contact	Phone Number
E-Mail	Fax Number
Accounts Payable Contact	Phone Number
E-Mail	Fax Number
Type(s) of Floats and Skis owned or Maintained	
Models(s) of Floats and Skis owned or Maintained	
FedEx and/or UPS account number (if applicable)	

Please return to Wipaire Customer Service:

Fax 651-306-0666

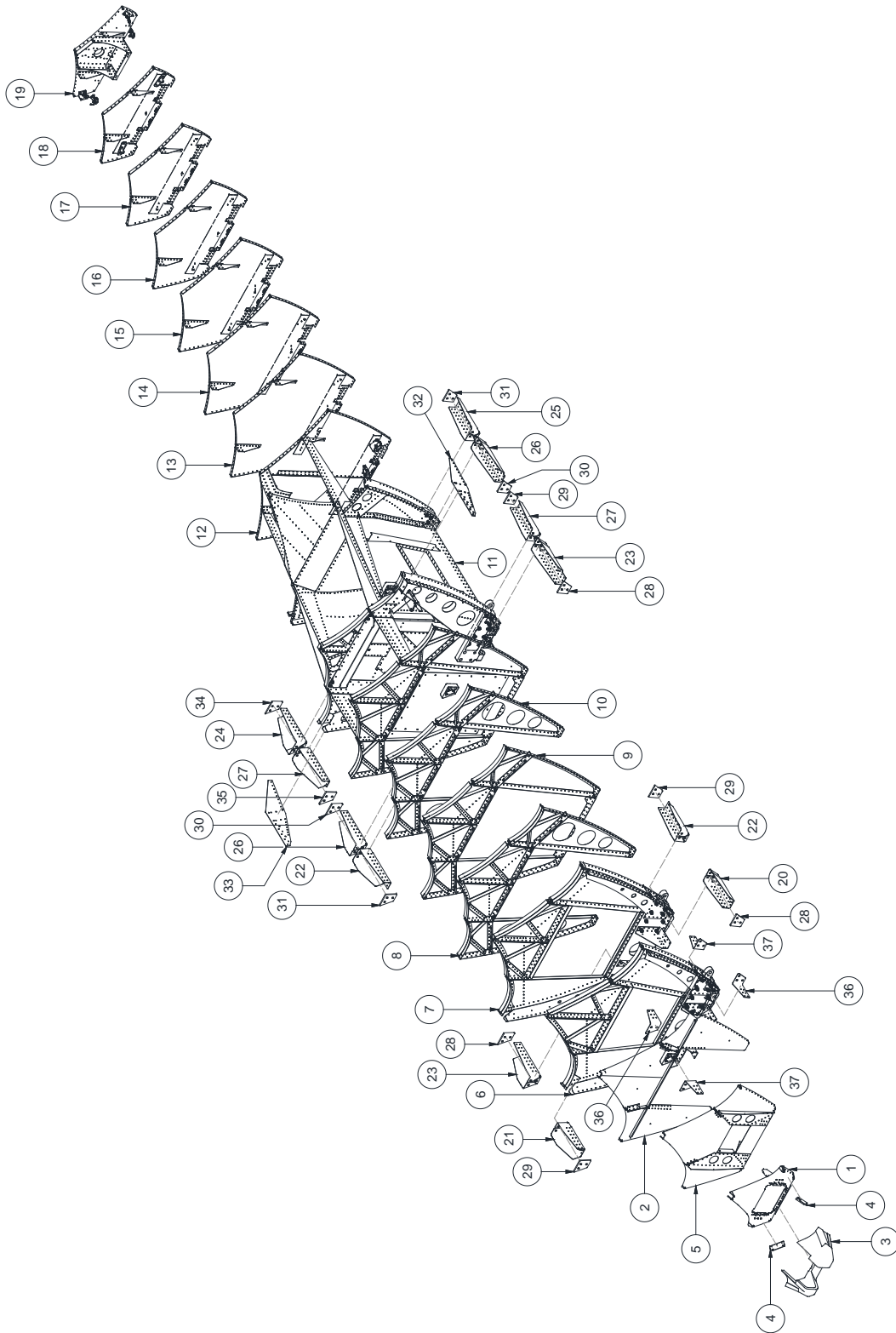
Phone 651-306-0459

CustomerService@wipaire.com

THIS PAGE INTENTIONALLY LEFT BLANK

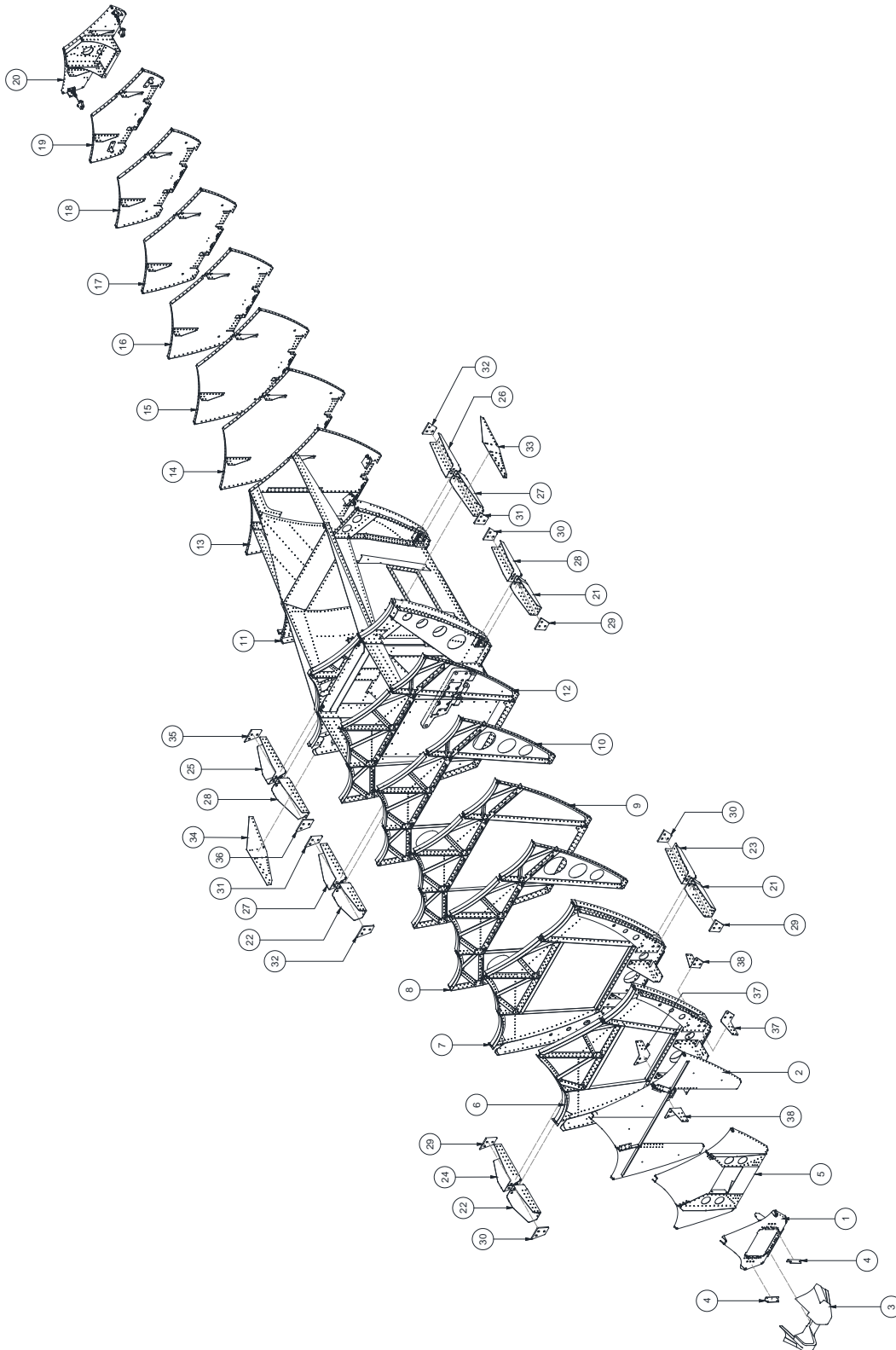
## **SECTION 1: HULL ASSEMBLY (AMPHIBIAN)**

## HULL ASSEMBLY BULKHEADS LEFT FLOAT (AMPHIBIAN)



PARTS LIST HULL ASSEMBLY BULKHEADS LEFT FLOAT (AMPHIBIAN)			
ITEM	QTY	PART NUMBER	DESCRIPTION
1	1	1003035	ASSY, BULKHEAD 1
2	1	1003037	ASSY, BULKHEAD 3
3	1	1004467	NOSE BUMPER
4	2	1004641	MOUNT, NOSE BUMPER
5	1	1006048	ASSY, BULKHEAD #2
6	1	1006049	ASSY, BULKHEAD 4, LEFT FLOAT, 8750
7	1	1006051	ASSY, BULKHEAD 5, LEFT FLOAT
8	1	1006053	ASSY, BULKHEAD 6, 8750
9	1	1006054	ASSEMBLY, BULKHEAD 7
10	1	1006056	ASSY, BULKHEAD #8
11	1	1006057	ASSEMBLY, WHEEL WELL, LEFT FLOAT
12	1	1006065	ASSY, BULKHEAD 12, LEFT FLOAT
13	1	1006067	ASSY, BULKHEAD 13
14	1	1006068	ASSY, BULKHEAD 14
15	1	1006069	ASSY, BULKHEAD 15
16	1	1006070	ASSY, BULKHEAD 16
17	1	1006071	ASSY, BULKHEAD 17
18	1	1006072	ASSY, BULKHEAD 18
19	1	1006073	ASSY, BULKHEAD 19
20	1	1006424	FITTING, BATHTUB, FWD, RH, BH05, 8750
21	1	1006425	FITTING, BATHTUB, FWD, LH, BH05, 8750
22	2	1006426	FITTING, BATHTUB, AFT, RH, BH05, 8750
23	2	1006427	FITTING, BATHTUB, AFT, LH, BH05, 8750
24	1	1006428	FITTING, BATHTUB, AFT, LEFT, BH11, 8750
25	1	1006429	FITTING, BATHTUB, AFT, RIGHT, BH11, 8750
26	2	1006430	FITTING, BATHTUB, LEFT, WHEEL WELL, 8750
27	2	1006431	FITTING, BATHTUB, RIGHT, WHEEL WELL, 8750
28	3	1006432	PLUG, BATHTUB FITTING 1006424 & 1006427
29	3	1006433	PLUG, BATHTUB FITTING 1006425 & 1006426
30	2	1006452	PLUG, BATHTUB FITTING 1006430
31	2	1006453	PLUG, BATHTUB FITTING 1006431
32	1	1006468	DOUBLER, CHINE, RIGHT, 8750
33	1	1006469	DOUBLER, CHINE, LEFT, 8750
34	1	1006490	PLUG, BATHTUB FITTING 1006428
35	1	1006491	PLUG, BATHTUB FITTING 1006429
36	2	1006494	MOUNT, RIGHT, BULKHEAD 4
37	2	1006495	MOUNT, LEFT, BULKHEAD 4

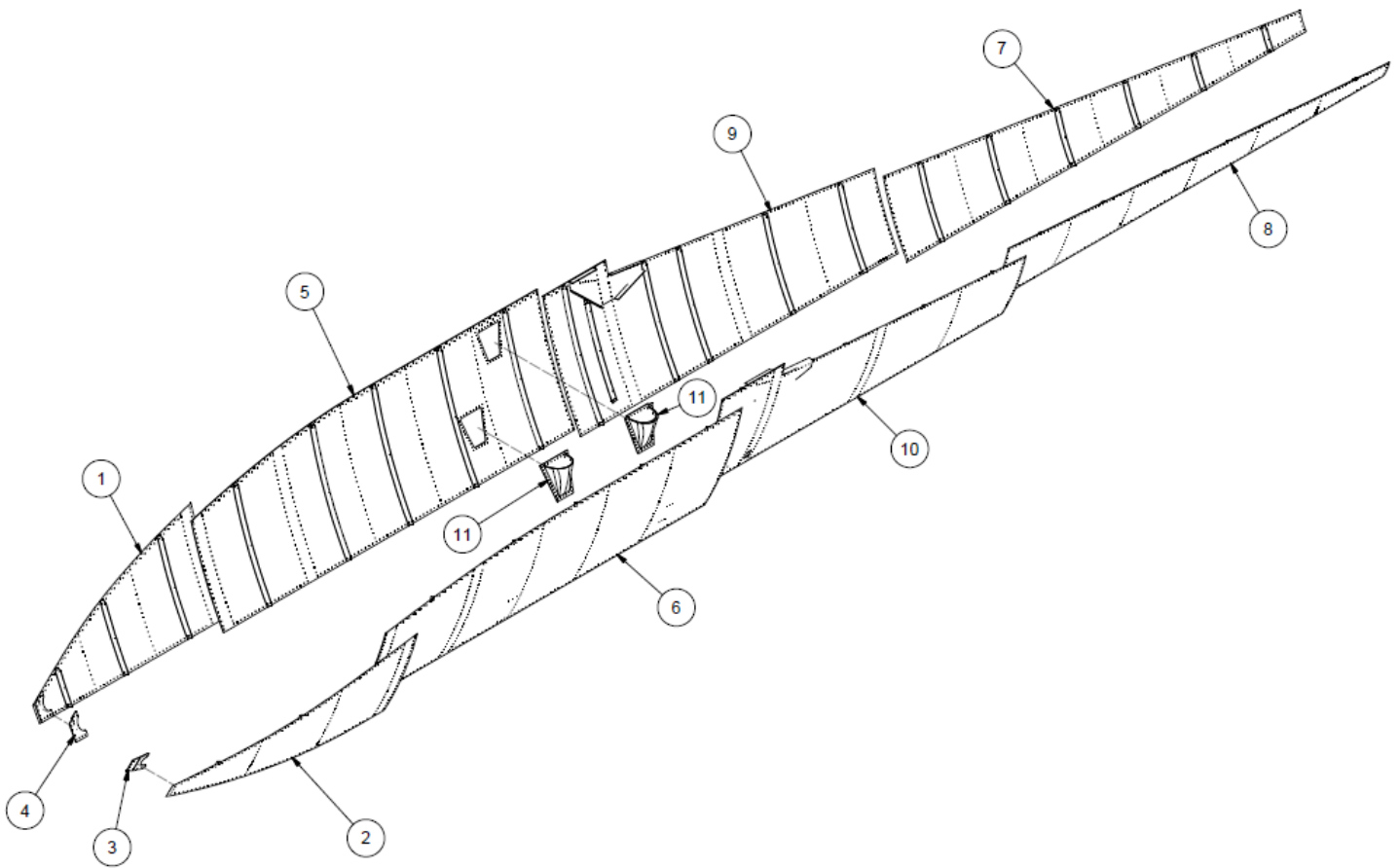
## HULL ASSEMBLY BULKHEADS RIGHT FLOAT (AMPHIBIAN)





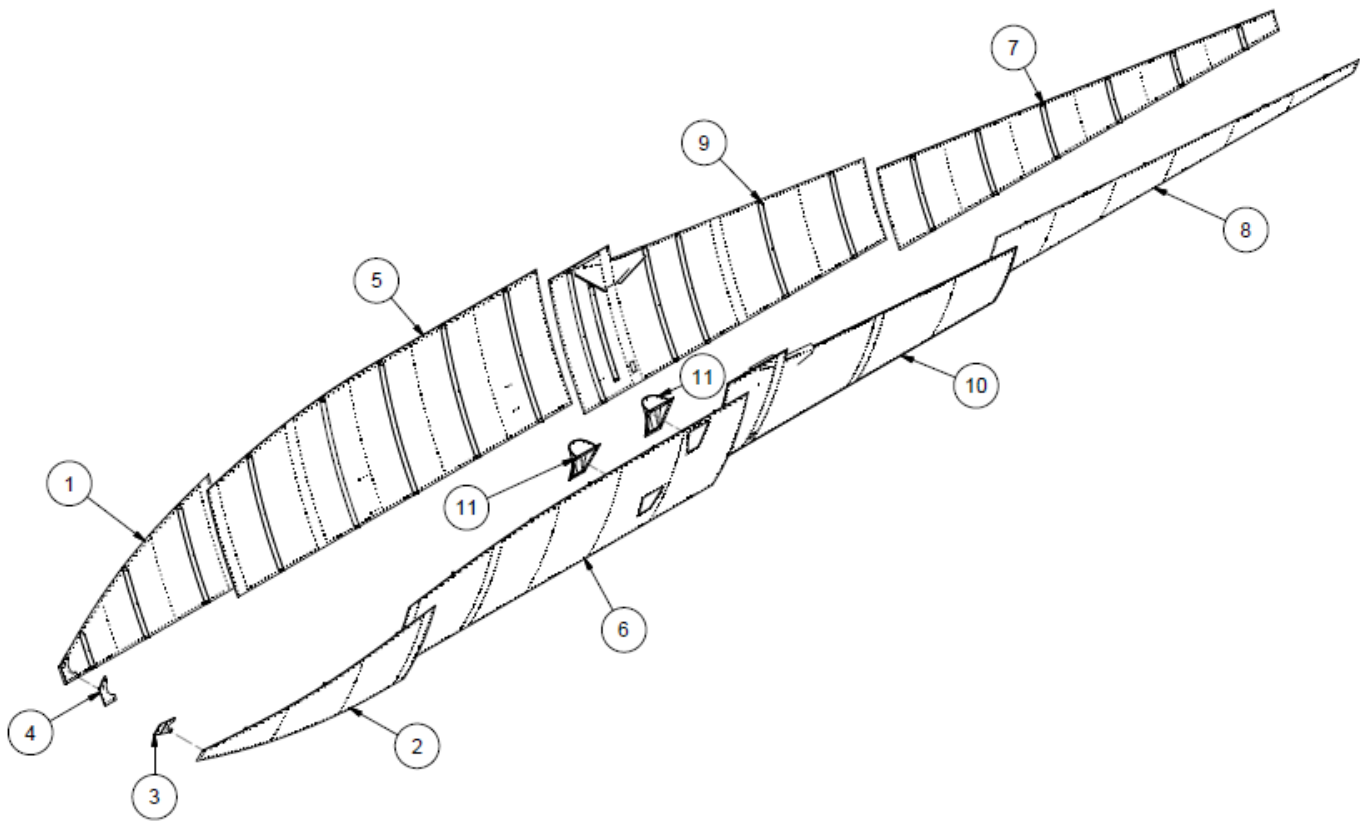
PARTS LIST			
HULL ASSEMBLY BULKHEADS RIGHT FLOAT (AMPHIBIAN)			
ITEM	QTY	PART NUMBER	DESCRIPTION
1	1	1003035	ASSY, BULKHEAD 1
2	1	1003037	ASSY, BULKHEAD 3
3	1	1004467	NOSE BUMPER
4	2	1004641	MOUNT, NOSE BUMPER
5	1	1006048	ASSY, BULKHEAD #2
6	1	1006050	ASSY, BULKHEAD 4, RIGHT FLOAT
7	1	1006052	ASSY, BULKHEAD 5, RIGHT FLOAT
8	1	1006053	ASSY, BULKHEAD 6, 8750
9	1	1006054	ASSEMBLY, BULKHEAD 7
10	1	1006056	ASSY, BULKHEAD #8
11	1	1006058	ASSEMBLY, WHEEL WELL, RIGHT FLOAT
12	1	1006059	ASSY, BULKHEAD 9
13	1	1006066	ASSY, BULKHEAD 12, RIGHT FLOAT
14	1	1006067	ASSY, BULKHEAD 13
15	1	1006068	ASSY, BULKHEAD 14
16	1	1006069	ASSY, BULKHEAD 15
17	1	1006070	ASSY, BULKHEAD 16
18	1	1006071	ASSY, BULKHEAD 17
19	1	1006072	ASSY, BULKHEAD 18
20	1	1006073	ASSY, BULKHEAD 19
21	2	1006424	FITTING, BATHTUB, FWD, RH, BH05, 8750
22	2	1006425	FITTING, BATHTUB, FWD, LH, BH05, 8750
23	1	1006426	FITTING, BATHTUB, AFT, RH, BH05, 8750
24	1	1006427	FITTING, BATHTUB, AFT, LH, BH05, 8750
25	1	1006428	FITTING, BATHTUB, AFT, LEFT, BH11, 8750
26	1	1006429	FITTING, BATHTUB, AFT, RIGHT, BH11, 8750
27	2	1006430	FITTING, BATHTUB, LEFT, WHEEL WELL, 8750
28	2	1006431	FITTING, BATHTUB, RIGHT, WHEEL WELL, 8750
29	3	1006432	PLUG, BATHTUB FITTING 1006424 & 1006427
30	3	1006433	PLUG, BATHTUB FITTING 1006425 & 1006426
31	2	1006452	PLUG, BATHTUB FITTING 1006430
32	2	1006453	PLUG, BATHTUB FITTING 1006431
33	1	1006468	DOUBLER, CHINE, RIGHT, 8750
34	1	1006469	DOUBLER, CHINE, LEFT, 8750
35	1	1006490	PLUG, BATHTUB FITTING 1006428
36	1	1006491	PLUG, BATHTUB FITTING 1006429
37	2	1006494	MOUNT, RIGHT, BULKHEAD 4
38	2	1006495	MOUNT, LEFT, BULKHEAD 4

### HULL SIDE SKIN ASSEMBLIES LEFT FLOAT (AMPHIBIAN)



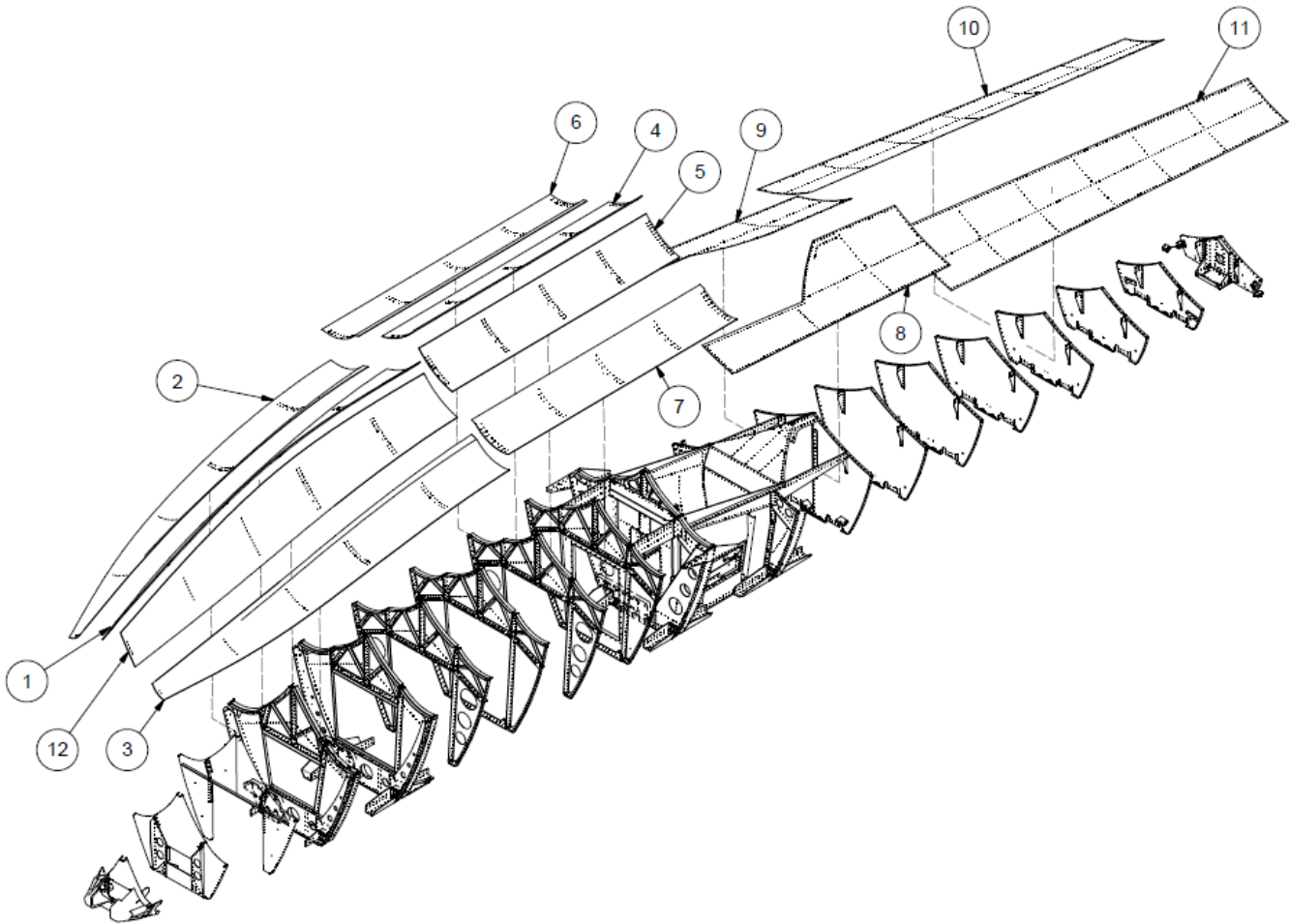
PARTS LIST HULL SIDE SKIN ASSEMBLIES LEFT FLOAT (AMPHIBIAN)			
ITEM	QTY	PART NUMBER	DESCRIPTION
1	1	1003785	ASSY, SKIN, FWD, OBRD, LT FLT.
2	1	1003787	ASSY, SKIN, FWD, OBRD, RT FLT.
3	1	1004259	DOUBLER, BLKHD 1, INTERIOR, LT.
4	1	1004260	DOUBLER, BLKHD 1, INTERIOR, RT.
5	1	1006373	ASSY, SKIN, SIDE, OUTBOARD, BH04-BH09, LEFT FLOAT
6	1	1006374	ASSY, SKIN, SIDE, INBOARD, BH04-BH09, LEFT FLOAT
7	1	1006379	ASSY, SKIN, SIDE, LEFT, BH13-BH19
8	1	1006380	ASSY, SKIN, SIDE, RIGHT, BH13-BH19
9	1	1006456	ASSY, SKIN, SIDE, OUTBOARD, BH09-BH13, LEFT FLOAT
10	1	1006457	ASSY, SKIN, SIDE, INBOARD, BH09-BH13, LEFT FLOAT
11	2	30A01000-358	WELDMENT, STEP POCKET, CURVED SURFACE

### HULL SIDE SKIN ASSEMBLIES RIGHT FLOAT (AMPHIBIAN)



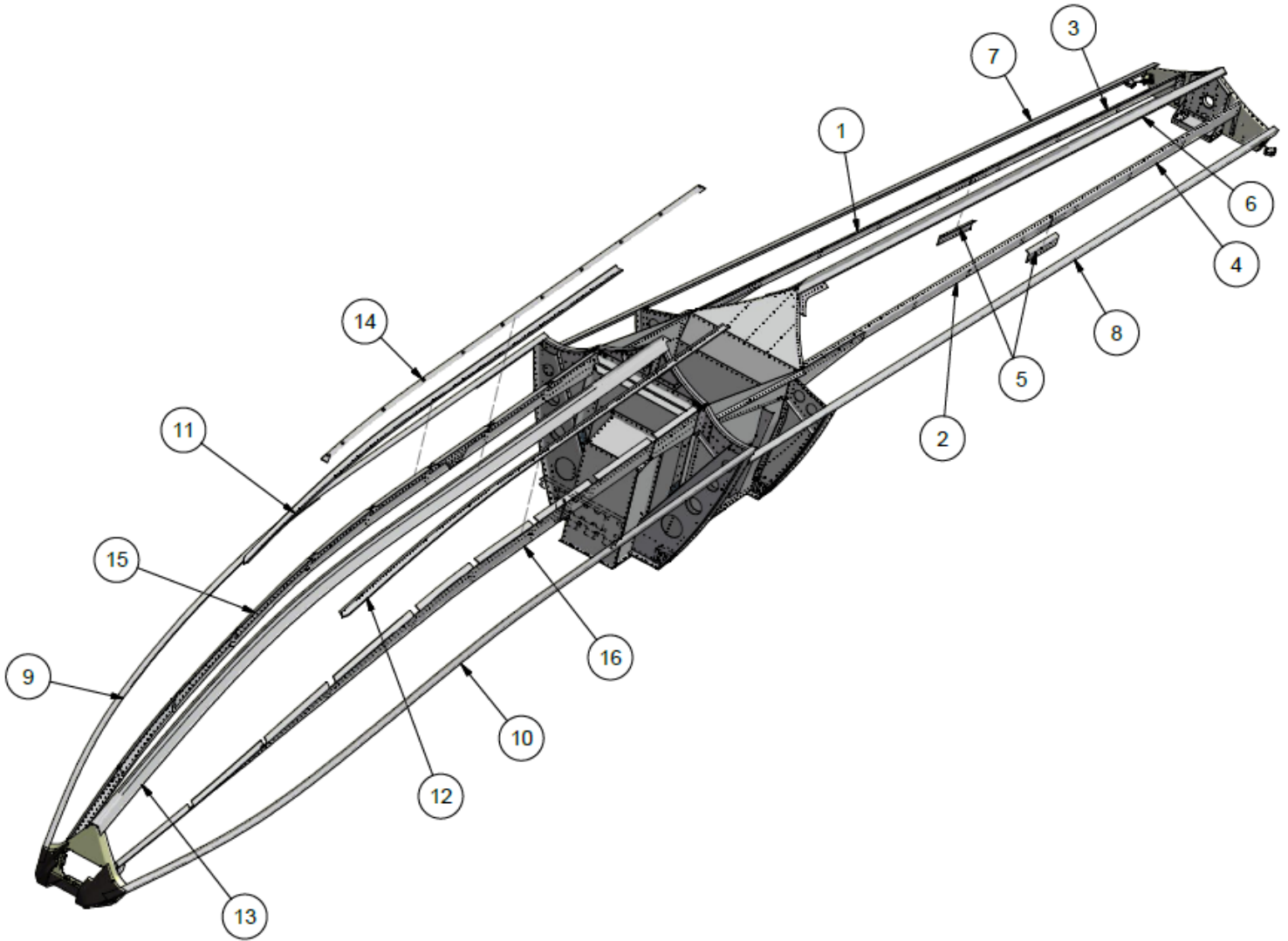
PARTS LIST HULL SIDE SKIN ASSEMBLIES RIGHT FLOAT (AMPHIBIAN)			
ITEM	QTY	PART NUMBER	DESCRIPTION
1	1	1003785	ASSY, SKIN, FWD, OBRD, LT FLT.
2	1	1003787	ASSY, SKIN, FWD, OBRD, RT FLT.
3	1	1004259	DOUBLER, BLKHD 1, INTERIOR, LT.
4	1	1004260	DOUBLER, BLKHD 1, INTERIOR, RT.
5	1	1006375	ASSY, SKIN, SIDE, INBOARD, BH04-BH09, RIGHT FLOAT
6	1	1006376	ASSY, SKIN, SIDE, OUTBOARD, BH04-BH09, RIGHT FLOAT
7	1	1006379	ASSY, SKIN, SIDE, LEFT, BH13-BH19
8	1	1006380	ASSY, SKIN, SIDE, RIGHT, BH13-BH19
9	1	1006458	ASSY, SKIN, SIDE, INBOARD, BH09-BH13, RIGHT FLOAT
10	1	1006459	ASSY, SKIN, SIDE, OUTBOARD, BH09-BH13, RIGHT FLOAT
11	2	30A01000-358	WELDMENT, STEP POCKET, FLAT SURFACE

### HULL ASSEMBLY BOTTOM SKINS (AMPHIBIAN)



PARTS LIST HULL ASSEMBLY BOTTOM SKINS (AMPHIBIAN)			
ITEM	QTY	PART NUMBER	DESCRIPTION
1	1	1006361	SKIN, BOTTOM, KEEL, LEFT, BH01-BH06
2	1	1006359	SKIN, BOTTOM, CHINE, LEFT, BH01-BH06
3	1	1006360	SKIN, BOTTOM, CHINE, RIGHT, BH01-BH06
4	1	1006365	SKIN, BOTTOM, KEEL, LEFT, BH06-BH10
5	1	1006366	SKIN, BOTTOM, KEEL, RIGHT, BH06-BH10
6	1	1006363	SKIN, BOTTOM, CHINE, LEFT, BH06-BH10
7	1	1006364	SKIN, BOTTOM, CHINE, RIGHT, BH06-BH10
8	1	1006368	SKIN, BOTTOM, RIGHT, BH10-BH13
9	1	1006367	SKIN, BOTTOM, LEFT, BH10-BH13
10	1	1006369	SKIN, BOTTOM, LEFT, BH13-BH19
11	1	1006370	SKIN, BOTTOM, RIGHT, BH13-BH19
12	1	1006362	SKIN, BOTTOM, KEEL, RIGHT, BH01-BH06

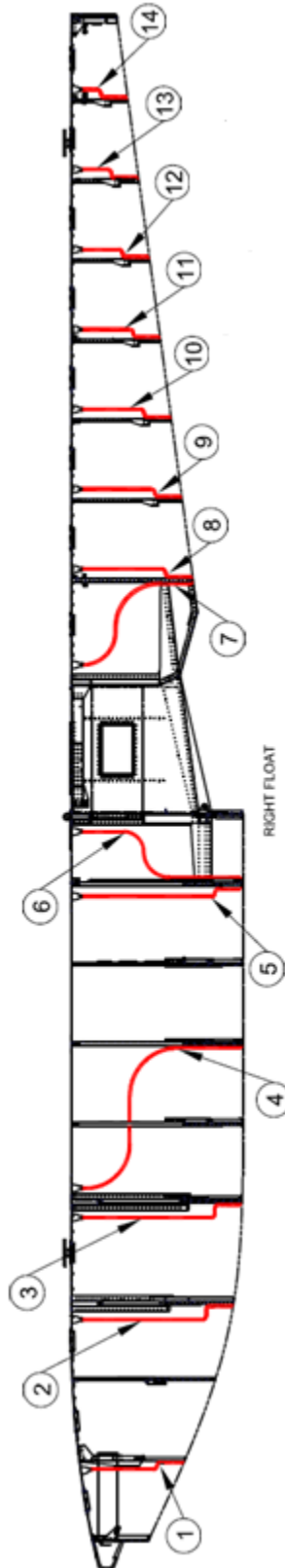
## HULL STRUCTURAL MEMBERS AND EXTRUSIONS (AMPHIBIAN)





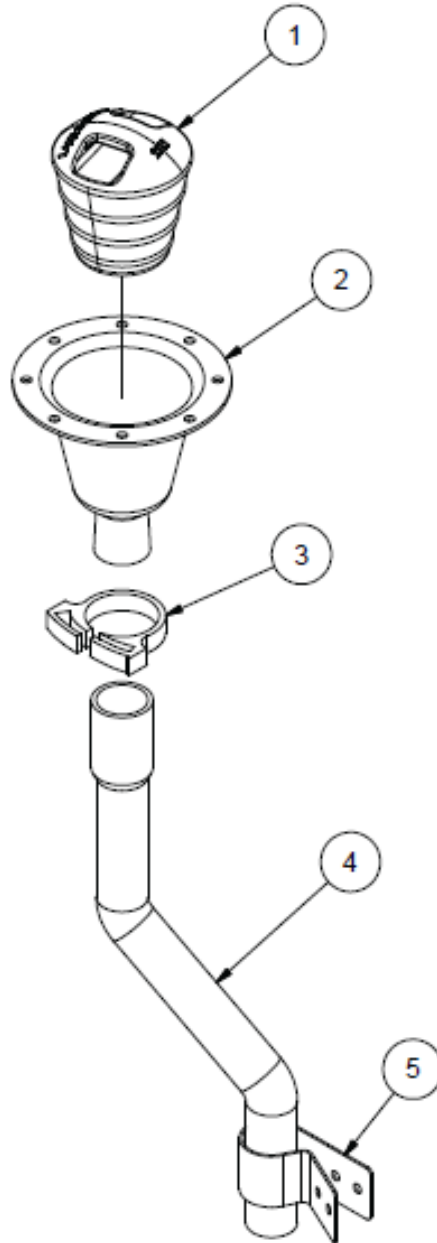
PARTS LIST HULL STRUCTURAL MEMBERS AND EXTRUSIONS (AMPHIBIAN)			
ITEM	QTY	PART NUMBER	DESCRIPTION
1	1	1006201	KEEL, SISTER, STERN, LEFT, BH11-15
2	1	1006202	KEEL, SISTER, STERN, RIGHT, BH11-15
3	1	1006203	KEEL, SISTER, STERN, LEFT, BH15-19
4	1	1006204	KEEL, SISTER, STERN, RIGHT, BH15-19
5	2	1006205	SPLICE, SISTER KEEL, STERN
6	1	1006206	KEEL, MAIN, AFT
7	1	1006207	CHINE, AFT, LEFT
8	1	1006208	CHINE, AFT, RIGHT
9	1	1006209	CHINE, FWD, LT
10	1	1006210	CHINE, FWD, RT
11	1	1006211	KEEL, SISTER, FWD, LT
12	1	1006212	KEEL, SISTER, FWD, RT
13	1	1006213	KEEL, MAIN, FWD
14	1	1006214	WEAR STRIP, KEEL, MAIN
15	1	1006221	ASSY, SISTER KEEL, LH, FWD
16	1	1006222	ASSY, SISTER KEEL, RH, FWD

## PUMPER CUP INSTALLATION



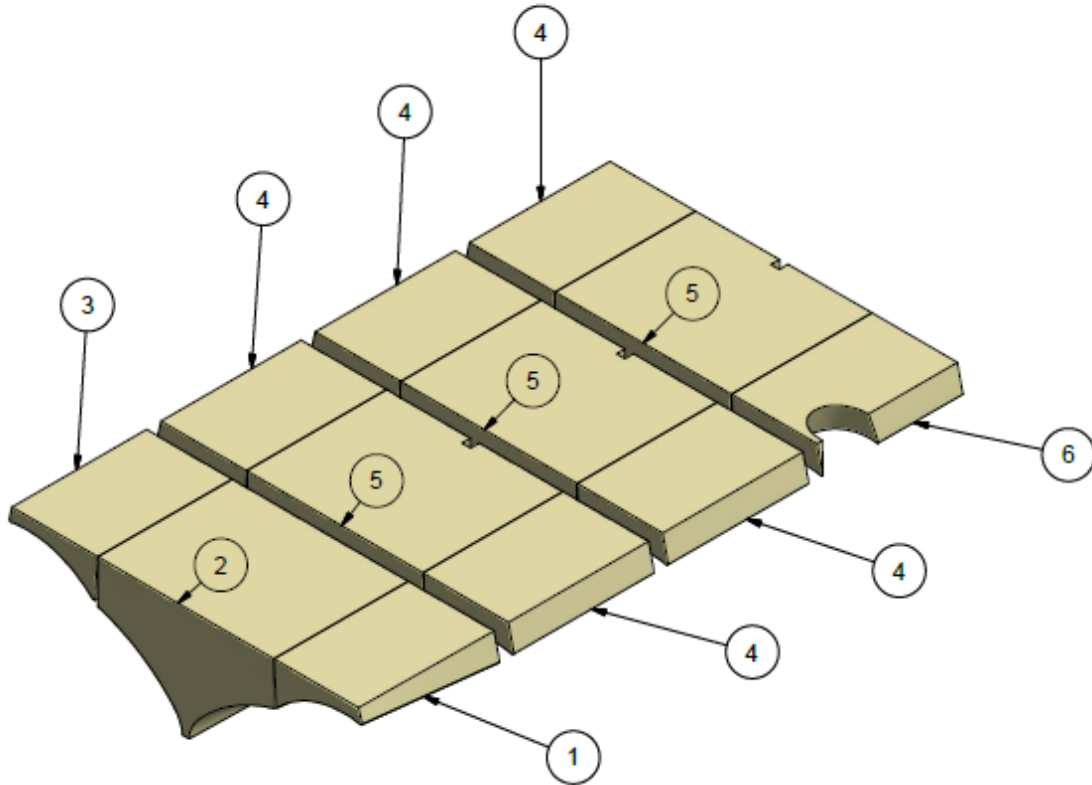
PARTS LIST PUMPER CUP INSTALLATION			
ITEM	QTY	PART NUMBER	DESCRIPTION
1	1	RM618	PUMPER, BLKHD #2 TUBE, 24.5 IN LG
2	1	RM618	PUMPER, BLKHD #4 TUBE, 38.0 IN LG
3	1	RM618	PUMPER, BLKHD #5, FWD TUBE, 40.5 IN LG
4	1	RM618	PUMPER, BLKHD #5, AFT TUBE, 60.5 IN LG
5	1	RM618	PUMPER, BLKHD #9 TUBE, 40.5 IN LG
6	1	RM618	PUMPER, BLKHD #10 TUBE, 45.5 IN LG
7	1	RM618	PUMPER, BLKHD #11 TUBE, 40.0 IN LG
8	1	RM618	PUMPER, BLKHD #12 TUBE, 30.0 IN LG
9	1	RM618	PUMPER, BLKHD #13 TUBE, 28.0 IN LG
10	1	RM618	PUMPER, BLKHD #14 TUBE, 26.0 IN LG
11	1	RM618	PUMPER, BLKHD #15 TUBE, 24.0 IN LG
12	1	RM618	PUMPER, BLKHD #16 TUBE, 20.0 IN LG
13	1	RM618	PUMPER, BLKHD #17 TUBE, 18.0 IN LG
14	1	RM618	PUMPER, BLKHD #18 TUBE, 15.0 IN LG

## PUMPER TUBE INSTALLATION



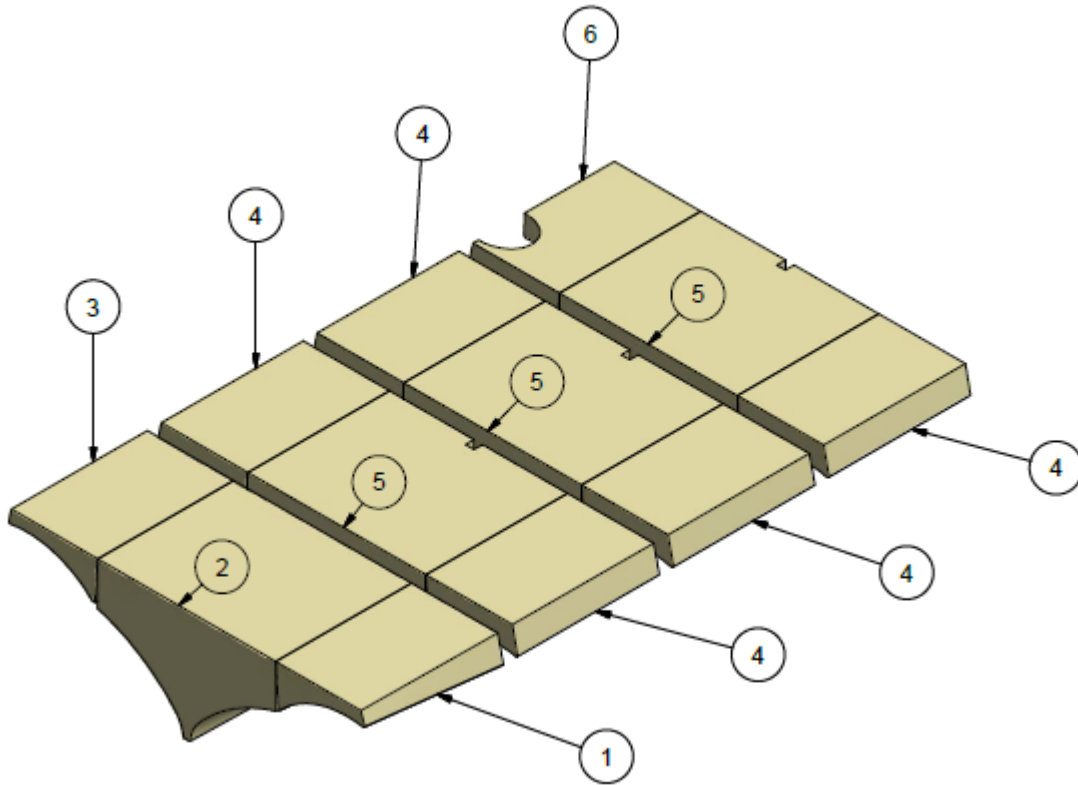
PARTS LIST PUMPER CUP INSTALLATION			
ITEM	QTY	PART NUMBER	DESCRIPTION
1	1	2111	STOPPER, PUMPOUT, LAKE AND AIR
2	1	4A01749-001	CUP, PUMP OUT
3	1	57134	CLAMP
4	1	RM618	PUMPER TUBE (SEE PG. 24) (LENGTH VARIES)
5	1	3A01158-003	CLAMP, PUMP OUT TUBE

## BUOYANCY FOAM LEFT FLOAT



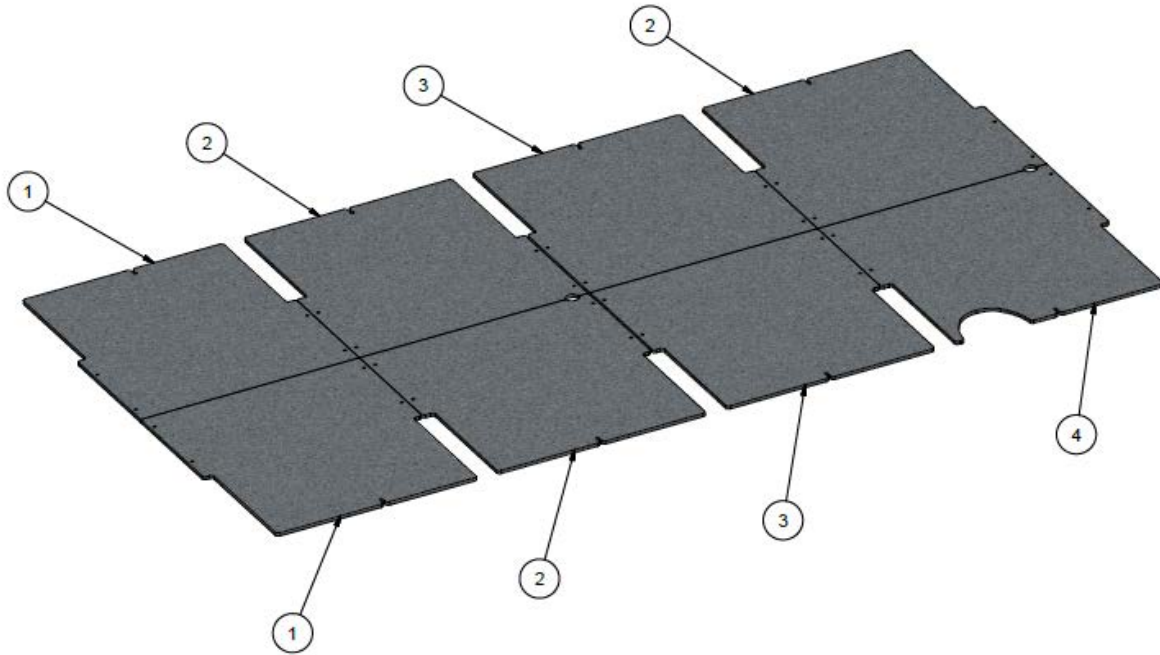
PARTS LIST BUOYANCY FOAM LEFT FLOAT			
ITEM	QTY	PART NUMBER	DESCRIPTION
1	1	1005635	BUOYANCY FOAM, SIDE, LEFT, BH5-BH6, 8750
2	1	1005636	BUOYANCY FOAM, CENTER, BH5-BH6, 8750
3	1	1005637	BUOYANCY FOAM, SIDE, RIGHT, BH5-BH6, 8750
4	5	1005639	BUOYANCY FOAM, SIDE, BH6-BH9, 8750
5	3	1005640	BUOYANCY FOAM, CENTER, BH6-BH9, 8750
6	1	1005758	BUOYANCY FOAM, SIDE, BH6-BH9, LEFT, 8750

## BUOYANCY FOAM RIGHT FLOAT



PARTS LIST BUOYANCY FOAM RIGHT FLOAT			
ITEM	QTY	PART NUMBER	DESCRIPTION
1	1	1005635	BUOYANCY FOAM, SIDE, LEFT, BH5-BH6, 8750
2	1	1005636	BUOYANCY FOAM, CENTER, BH5-BH6, 8750
3	1	1005637	BUOYANCY FOAM, SIDE, RIGHT, BH5-BH6, 8750
4	5	1005639	BUOYANCY FOAM, SIDE, BH6-BH9, 8750
5	3	1005640	BUOYANCY FOAM, CENTER, BH6-BH9, 8750
6	1	1005759	BUOYANCY FOAM, SIDE, BH6-BH9, RIGHT, 8750

## BAGGAGE FLOOR

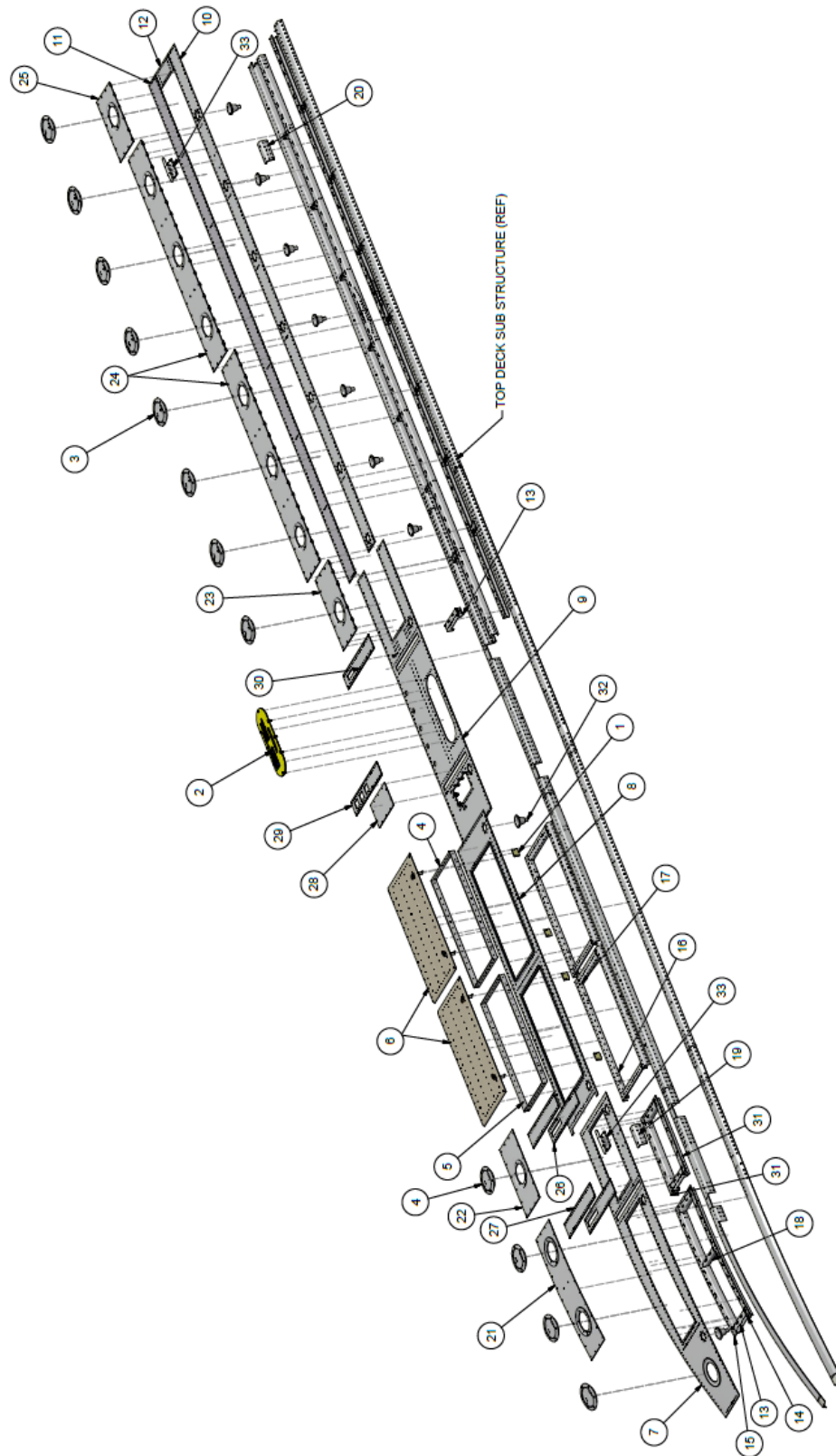


PARTS LIST BAGGAGE FLOOR			
ITEM	QTY	PART NUMBER	DESCRIPTION
1	2	1006566	PANEL, BAGGAGE FLR, SHORT, NO RELIEF
2	3	1006567	PANEL, BAGGAGE FLR, LONG, PUMPOUT RELIEF
3	2	1006568	PANEL, BAGGAGE FLR, LONG, NO RELIEF
4	1	1006569	PANEL, BAGGAGE FLR, LONG, STEP RELIEF
NOT SHOWN	32	AN526-832R10	SCREW



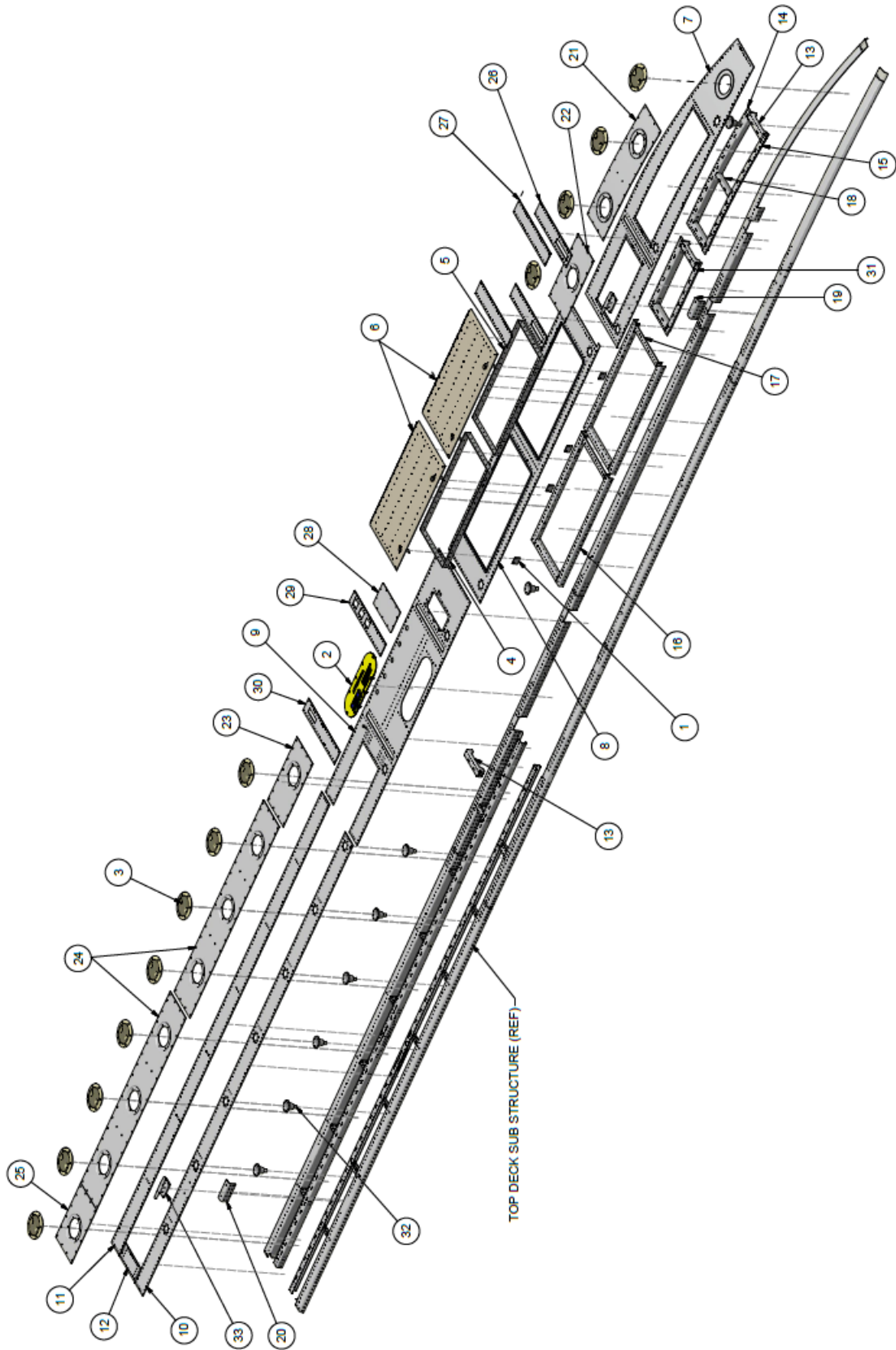
## **SECTION 2: TOP DECK ASSEMBLY**

### DECK ASSEMBLY LEFT FLOAT (AMPHIBIAN)



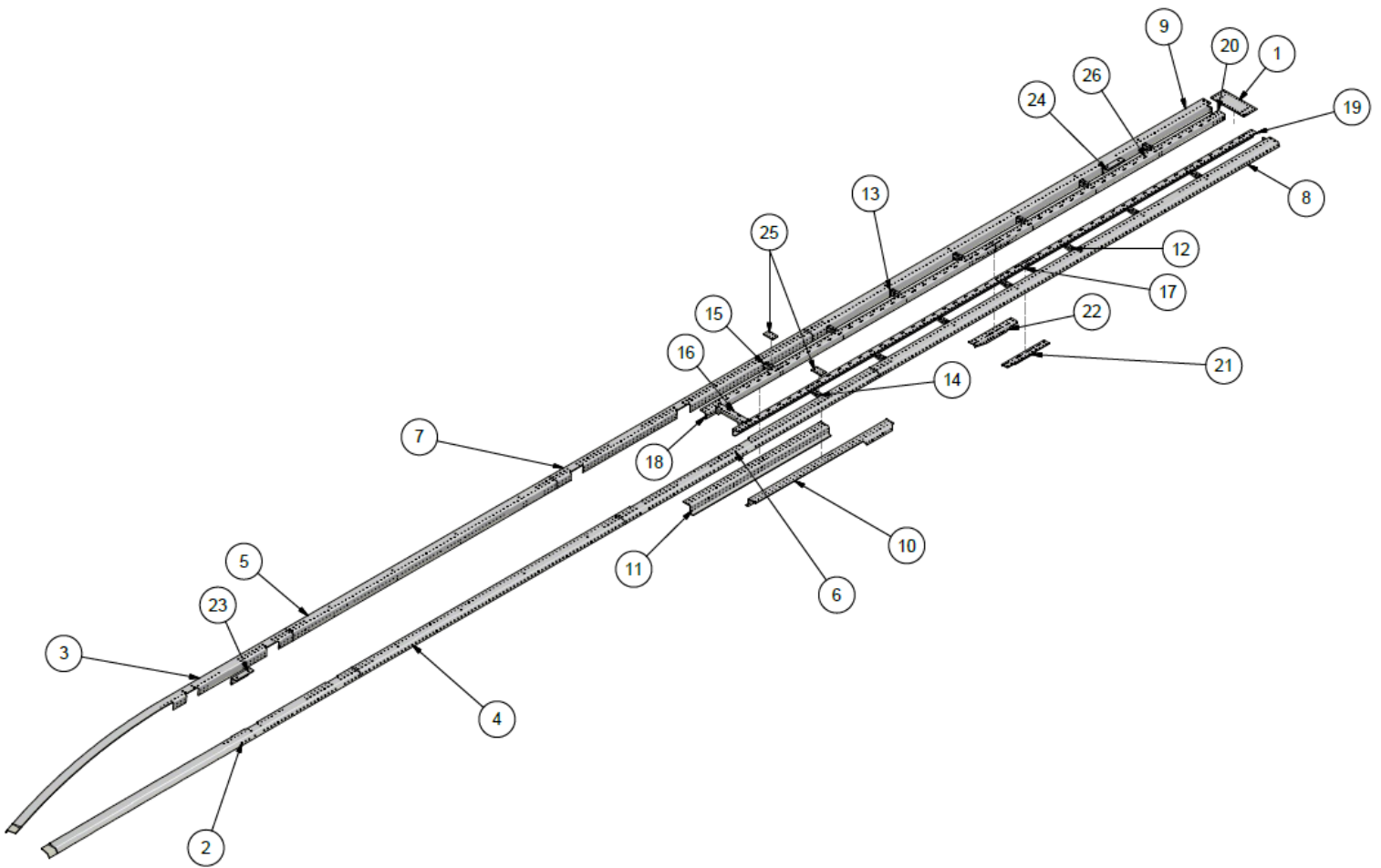
PARTS LIST			
TOP DECK ASSEMBLY LEFT FLOAT (AMPHIBIAN)			
ITEM	QTY	PART NUMBER	DESCRIPTION
1	4	1003860	STRIKE PLATE, BAGGAGE DOOR LOCK
2	1	1004567	ASSEMBLY, COVER, GEAR ACCESS, LH
	8	2600-3	CAMLOC STUD (NOT SHOWN)
	8	S3275-302	RETAINING RING, CAMLOC (NOT SHOWN)
3	12	1004593	COVER, 4" INSPECTION
4	2	1006196	BAGGAGE LIP
5	2	1006197	BAGGAGE LIP
6	2	1006200	ASSY. COVER, BAGGAGE
7	1	1006223	SKIN, TOP, FWD, LH FLOAT
8	1	1006225	SKIN, TOP, BAGGAGE, LH FLOAT
9	1	1006227	SKIN, TOP, WHEEL WELL, LH FLOAT
10	1	1006229	SKIN, TOP, AFT, OUTBOARD, LH FLOAT
11	1	1006231	SKIN, TOP, AFT, INBOARD, LH FLOAT
12	1	1006233	SKIN, TOP, AFT
13	5	1006254	BRACE, TOPDECK COVER
14	1	1006255	RAIL, FWD, LH, 8750
15	1	1006256	RAIL, FWD, RH, 8750
16	4	1006267	JAMB, BAGGAGE DOOR
17	4	1006268	JAMB, END, BAGGAGE DOOR
18	1	1006271	BRACE, TOPSKIN
19	1	1006272	DOUBLER, BALLARD FWD
20	1	1006273	DOUBLER, BALLARD, AFT
21	1	1006382	COVER, FWD, TOPSKIN, BH02-BH04
22	1	1006383	COVER, FWD, TOPSKIN, BH04-BH05
23	1	1006384	COVER, AFT, SINGLE, TOPSKIN, BH11-12
24	2	1006385	COVER, AFT, TOPSKIN
25	1	1006386	COVER, AFT, SINGLE, TOPSKIN
26	2	1006387	COVER, TOPDECK, FITTING, BH04 & BH05
27	2	1006388	COVER, TOPDECK, BH04 & BH05
28	1	1006389	COVER, TOPDECK, GEAR BOLTS
29	1	1006391	COVER, FITTING, BH10
30	1	1006393	COVER, FITTING, BH11, LEFT FLOAT
31	2	1006487	RAIL, FWD, BH04-BH05, 8750
32	9	4A01749-001	CUP, PUMP OUT
33	2	6A01213-003	BALLARD, TOP DECK, TIE DOWN
	A/R	RM720	SEAL, COVER, TOPDECK (NOT SHOWN)
	4	1002663	BAGGAGE LOCK RING (NOT SHOWN)

### TOP DECK ASSEMBLY RIGHT FLOAT (AMPHIBIAN)



PARTS LIST TOP DECK ASSEMBLY RIGHT FLOAT (AMPHIBIAN)			
ITEM	QTY	PART NUMBER	DESCRIPTION
1	4	1003860	STRIKE PLATE, BAGGAGE DOOR LOCK
2	1	1004568	ASSEMBLY, COVER, GEAR ACCESS, RH
	8	2600-3	CAMLOC STUD (NOTSHOWN)
	8	S3275-302	RETAINING RING, CAMLOC (NOTSHOWN)
3	12	1004593	COVER, 4" INSPECTION
4	2	1006196	BAGGAGE LIP
5	2	1006197	BAGGAGE LIP
6	2	1006200	ASSY, BAGGAGE DOOR
7	1	1006224	SKIN, TOP, FWD, RH FLOAT
8	1	1006226	SKIN, TOP, BAGGAGE, RH FLOAT
9	1	1006228	SKIN, TOP, WHEEL WELL, RH FLOAT
10	1	1006230	SKIN, TOP, AFT, OUTBOARD, RH FLOAT
11	1	1006232	SKIN, TOP, AFT, INBOARD, RH FLOAT
12	1	1006233	SKIN, TOP, AFT
13	5	1006254	BRACE, TOPDECK COVER
14	1	1006255	RAIL, FWD, LH, 8750
15	1	1006256	RAIL, FWD, RH, 8750
16	4	1006267	JAMB, BAGGAGE DOOR
17	4	1006268	JAMB, END, BAGGAGE DOOR
18	1	1006271	BRACE, TOPSKIN
19	1	1006272	DOUBLER, BALLARD FWD
20	1	1006273	DOUBLER, BALLARD, AFT
21	1	1006382	COVER, FWD, TOPSKIN, BH02-BH04
22	1	1006383	COVER, FWD, TOPSKIN, BH04-BH05
23	1	1006384	COVER, AFT, SINGLE, TOPSKIN, BH11-12
24	2	1006385	COVER, AFT, TOPSKIN
25	1	1006386	COVER, AFT, SINGLE, TOPSKIN
26	2	1006387	COVER, TOPDECK, FITTING, BH04 & BH05
27	2	1006388	COVER, TOPDECK, BH04 & BH05
28	1	1006389	COVER, TOPDECK, GEAR BOLTS
29	1	1006391	COVER, FITTING, BH10
30	1	1006394	COVER, FITTING, BH11, RIGHT FLOAT
31	2	1006487	RAIL, FWD, BH04-BH05, 8750
32	9	4A01749-001	CUP, PUMP OUT
33	2	6A01213-003	BALLARD, TOP DECK, TIE DOWN
	A/R	RM720	SEAL, COVER, TOPDECK (NOT SHOWN)
	4	1002663	BAGGAGE LOCK RING (NOT SHOWN)

## TOP DECK SUB STRUCTURE (AMPHIBIAN)



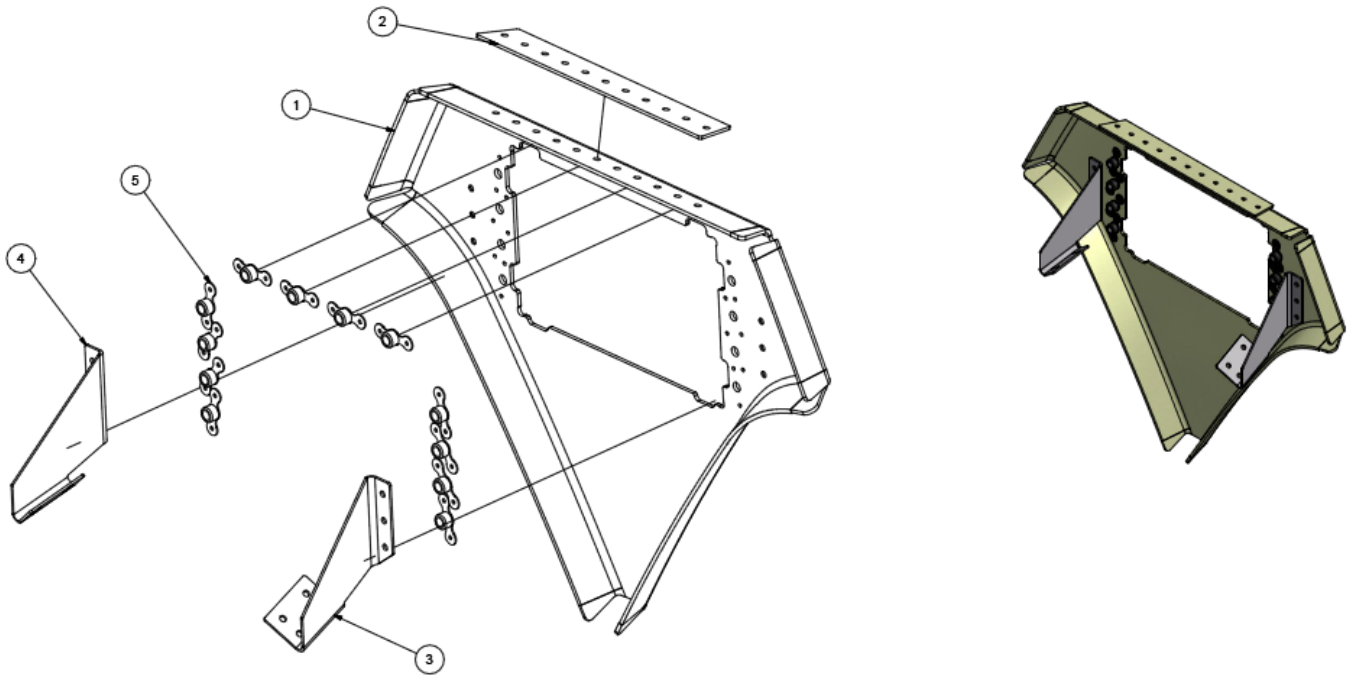
PARTS LIST TOP DECK SUB STRUCTURE (AMPHIBIAN)			
ITEM	QTY	PART NUMBER	DESCRIPTION
1	1	1006233	SKIN, TOP, AFT
2	1	1006234	GUNWALL, FWD, LEFT
3	1	1006235	GUNWALL, FWD, RIGHT
4	1	1006236	GUNWALL, BAGGAGE LEFT
5	1	1006237	GUNWALL, BAGGAGE, RH
6	1	1006238	GUNWALL, WHEEL WELL, RH
7	1	1006239	GUNWALL, WHEEL WELL, LH
8	1	1006240	GUNWALL, AFT, LEFT
9	1	1006241	GUNWALL, AFT, RIGHT
10	1	1006246	NEST, GUNWALL, AFT, LH
11	2	1006247	NEST, GUNWALL, AFT, RH
12	6	1006250	MOUNT, BULKHEAD, 12-19, LH
13	6	1006251	MOUNT, BULKHEAD, 12-19, RH
14	1	1006252	MOUNT, BULKHEAD, 12, LH
15	1	1006253	MOUNT, BULKHEAD, 16-18, RH
16	5	1006254	BRACE, TOPDECK COVER
17	1	1006257	RAIL, TOPDECK, AFT, LH
18	1	1006258	RAIL, TOPDECK, AFT, RH
19	1	1006259	RAIL, TOPDECK, AFT, LH BH14-19
20	1	1006260	RAIL, TOPDECK, AFT, RH BH14-19
21	1	1006261	RAIL SPLICE, AFT, LH BH14-19
22	1	1006262	RAIL SPLICE, AFT, RH BH14-19
23	1	1006272	DOUBLER, BALLARD FWD
24	1	1006273	DOUBLER, BALLARD, AFT
25	2	1006326	SPLICE, TOPSKIN
26	140	1006420-01	NUTPLATE, NYLON, 8-32

THIS PAGE INTENTIONALLY LEFT BLANK



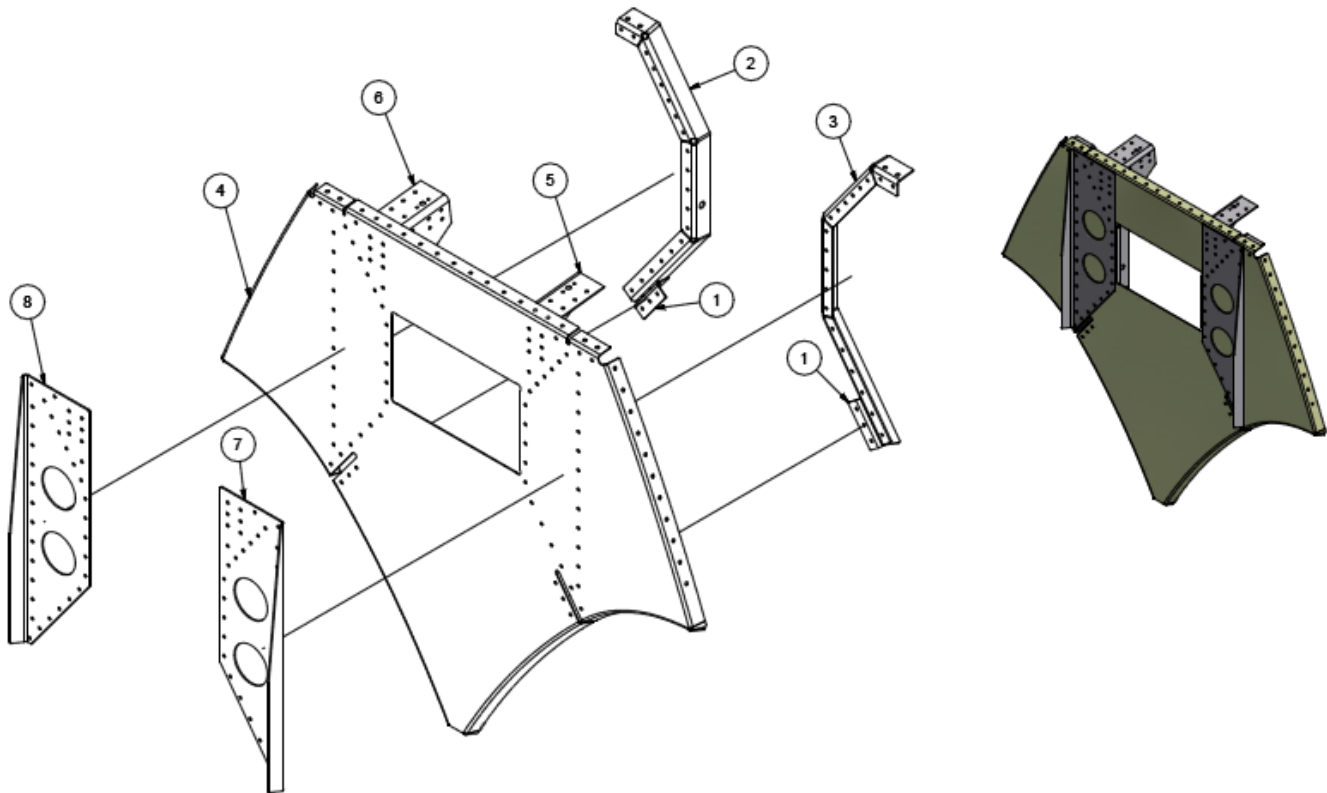
## **SECTION 3: BULKHEAD ASSEMBLY**

## ASS'Y., BULKHEAD 1



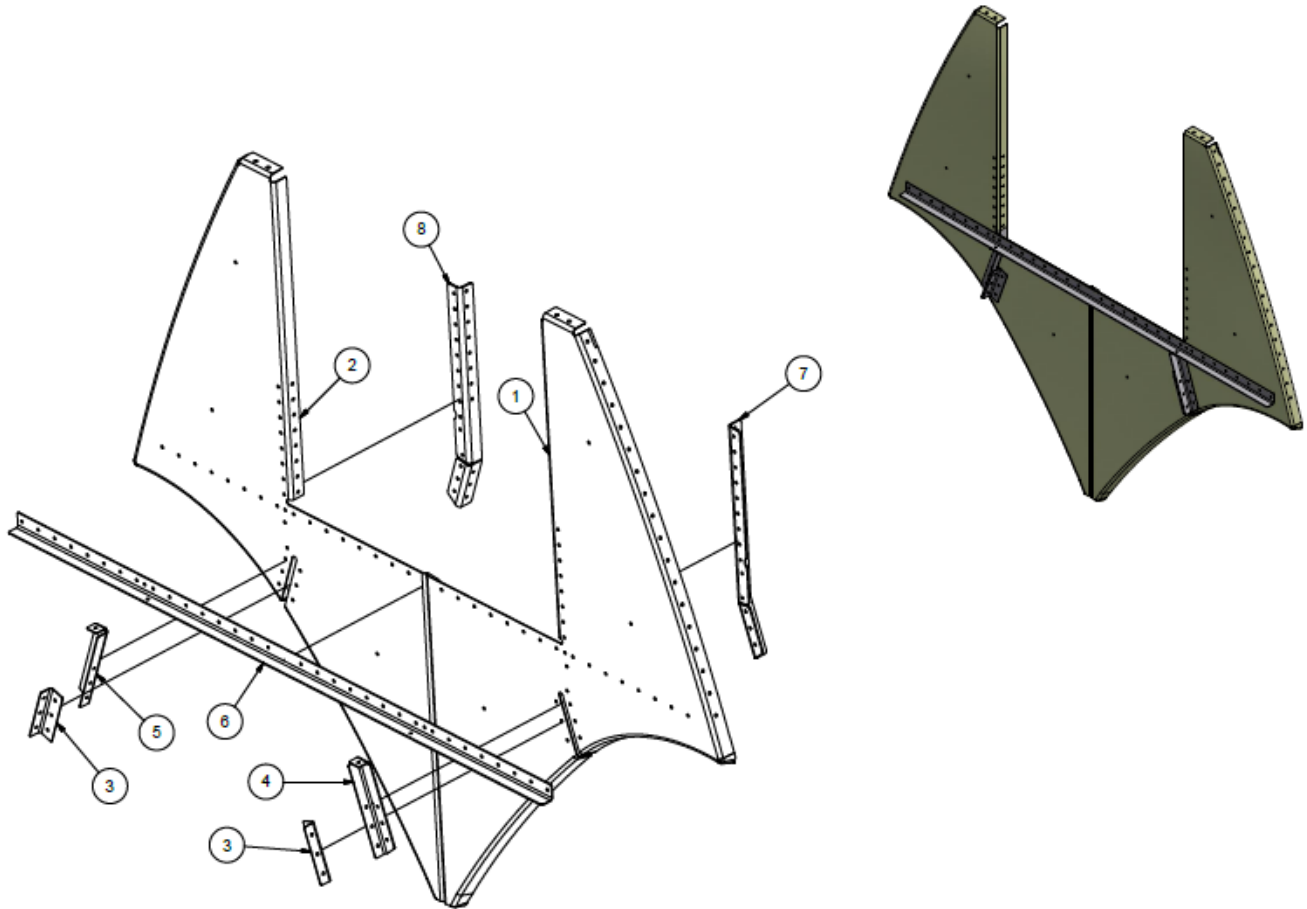
PARTS LIST ASS'Y., BULKHEAD 1			
ITEM	QTY	PART NUMBER	DESCRIPTION
	1	1003035	ASSY., BULKHEAD #1
1	1	1003049	PANEL, BLKHD #1
2	1	1003143	SPACER, TOP SKIN, BLKHD #1
3	1	1003663	BRACKET, RH, SISTER KEEL, BLKHD #1
4	1	1003664	BRACKET, LH, SISTER KEEL, BLKHD #1
5	12	MS21047L4	NUT PLATE, SELF LOCKING

## ASS'Y., BULKHEAD 2



PARTS LIST ASS'Y., BULKHEAD 2			
ITEM	QTY	PART NUMBER	DESCRIPTION
	1	1006048	ASSY., BLKHD #2
1	2	1003694	CLEAT, BLKHD #2
2	1	1003730	SUPPORT, NOSE BOX, RH, BLKHD 2
3	1	1003731	SUPPORT, NOSE BOX, LH, BLKHD 2
4	1	1006135	PANEL, BLKHD 2
5	1	1006136	GUSSET, RAIL, LH, BLKHD #2
6	1	1006137	GUSSET, RAIL, RH, BLKHD #2
7	1	1006138	STIFFENER, NOSE BOX SUPPORT, LT, BLKHD 2
8	1	1006139	STIFFENER, NOSE BOX SUPPORT, RH, BLKHD 2

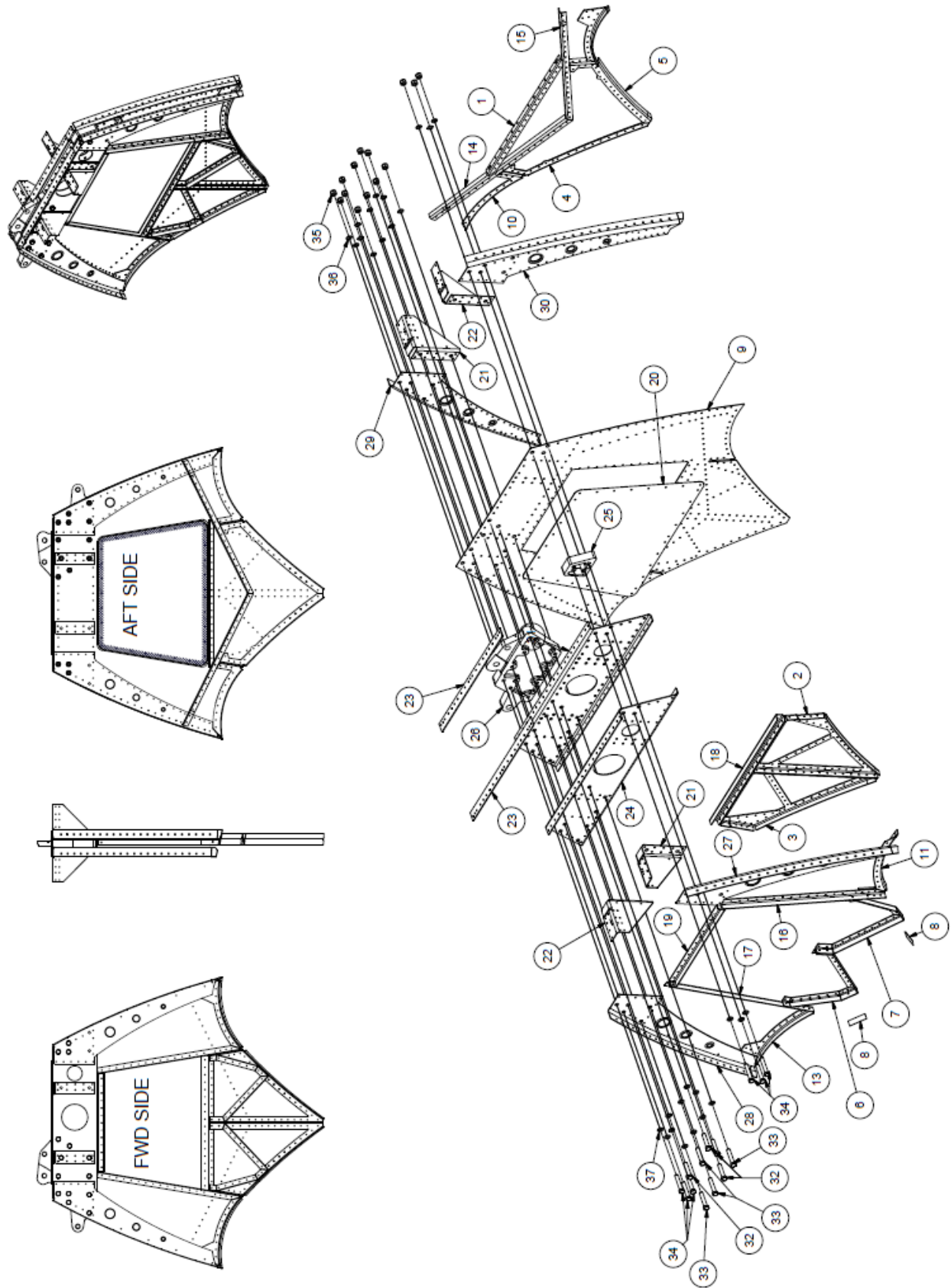
## ASS'Y., BULKHEAD 3



PARTS LIST ASS'Y., BULKHEAD 3			
ITEM	QTY	PART NUMBER	DESCRIPTION
	1	1003037	ASSY., BULKHEAD #3
1	1	1003095	PANEL, LEFT, BLKHD #3
2	1	1003096	PANEL, RIGHT, BLKHD #3
3	2	1003259	CLEAT, BLKHD #3
4	1	1003261	CLEAT, HORIZ TIE, LH, BLKHD #3
5	1	1003262	CLEAT, HORIZ TIE, RH, BLKHD #3
6	1	1003264	STIFFENER, BLKHD #3
7	1	1003735	CLEAT, STIFFENER, LH, BLKHD #3
8	1	1003736	CLEAT, STIFFENER, RH, BLKHD #3

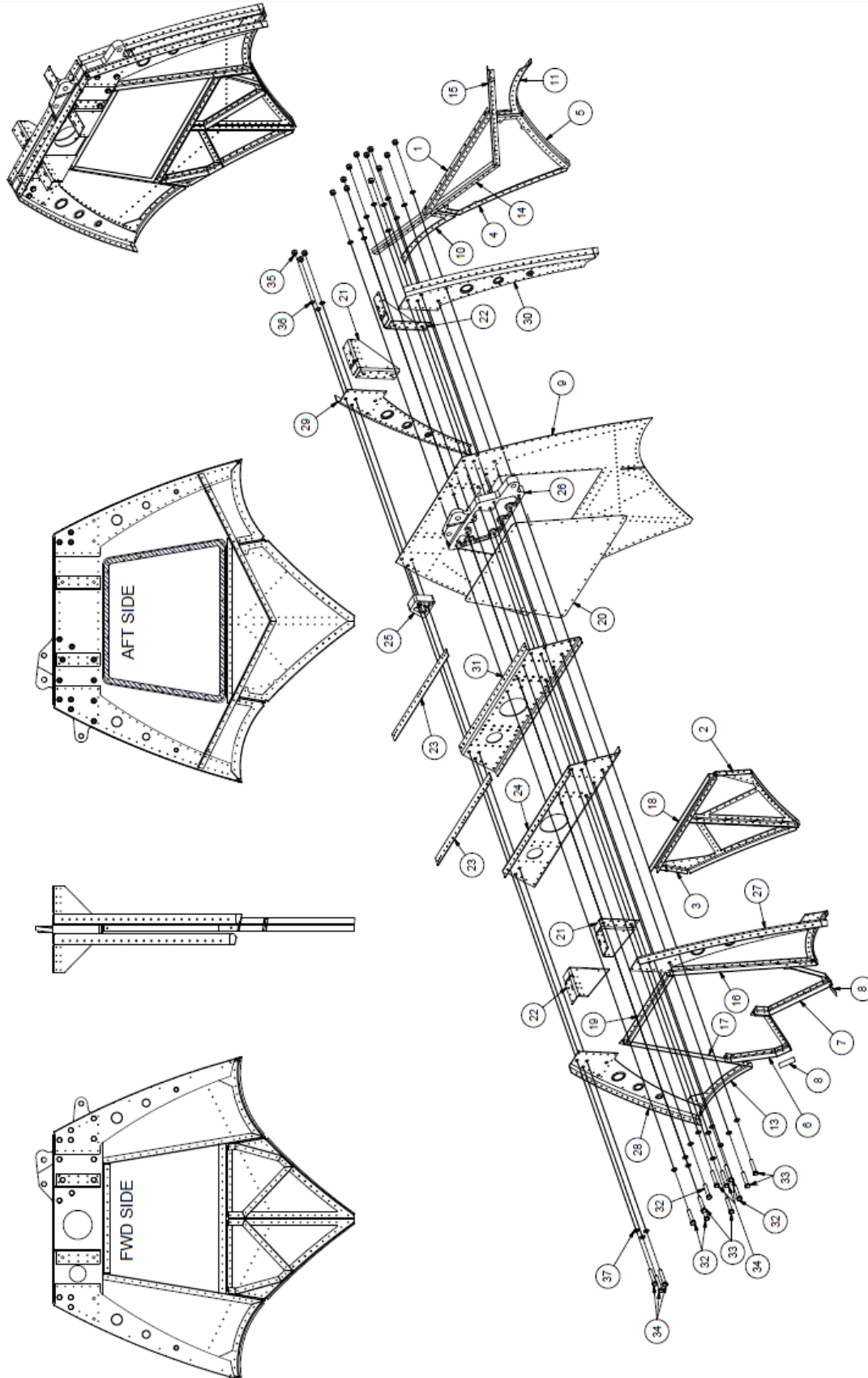
THIS PAGE INTENTIONALLY LEFT BLANK

# ASS'Y., BULKHEAD 4 LEFT FLOAT



PARTS LIST ASS'Y., BULKHEAD 4 LEFT FLOAT			
ITEM	QTY	PART NUMBER	DESCRIPTION
	1	1006049	ASSY., BLKHD #4 LEFT FLOAT
1	1	1002940	SUPPORT, BAGGAGE FLOOR, BLKHD 4, 5
2	1	1002949	FLUTE, FWD, LH, BLKHD 4
3	1	1002950	FLUTE, FWD, RH, BLKHD 4
4	1	1002952	FLANGE, BOTTOM, CENTER, RH, BLKHD 4
5	1	1002953	FLANGE, BOTTOM, CENTER, LH, BLKHD 4
6	1	1003645	TRUSS, FLUTE SUPPORT, RT, BLKHD 4
7	1	1003646	TRUSS, FLUTE SUPPORT, LT, BLKHD 4
8	2	1003811	SHIM, BLKHD 4, 7000
9	1	1006074	PANEL, MAIN, BLKHD 4, 8750
10	1	1006094	FLANGE, BOTTOM, SIDE, AFT, RIGHT, BLKHD 4, 8750
11	1	1006095	FLANGE, BOTTOM, SIDE, AFT, LH, BLKHD 4
12	1	1006104	FLANGE, BOTTOM, SIDE, FWD, LEFT, BLKHD 4, 8750
13	1	1006105	FLANGE, BOTTOM, SIDE, FWD RH, BLKHD 4
14	1	1006120	STIFFENER, DIAGONAL, RIGHT, BLKHD 4, 8750
15	1	1006121	STIFFENER, DIAGONAL, LH, BAGGAGE FLOOR, BLKHD 4
16	1	1006124	STIFFENER, VERTICAL, LEFT, BLKHD 4, 8750
17	1	1006125	STIFFENER, VERTICAL, RH, BLKHD 4
18	1	1006274	ANGLE, ACCESS COVER SUPPORT, BOTTOM, BH04, 8750
19	1	1006275	ANGLE, ACCESS COVER SUPPORT, TOP, BH04, 8750
20	1	1006277	PANEL, ACCESS, BH04
	A/R	MS20426AD4-4.5	RIVETS (NOT SHOWN)
21	2	1006281	GUSSET, LEFT, TOPDECK RAIL, BLKHD 05
22	2	1006282	GUSSET, RIGHT, TOPDECK RAIL, BLKHD 05
23	2	1006287	SPACER, TOPSKIN TO SUPER PANEL
24	1	1006288	BRACE, SUPERPANEL, FWD, BLKHD 05, LEFT FLOAT
25	1	1006329	SPACER, BATHTUB
26	1	1006473	FITTING, STRUT, FWD, BLKHD 04, LEFT FLOAT
27	1	1006475	LEG, SUPERPANEL, FWD, LEFT, BLKHD 4
28	1	1006476	LEG, SUPERPANEL, FWD, RIGHT, BLKHD 4
29	1	1006477	LEG, SUPERPANEL, AFT, LEFT, BLKHD 4
30	1	1006478	LEG, SUPERPANEL, AFT, RIGHT, BLKHD 4, 8750
31	1	1006479	BRACE, SUPERPANEL, AFT, BLKHD 4, LEFT FLOAT, 8750
32	4	AN6-16A	BOLT
33	4	AN6-17A	BOLT
34	6	AN6-20A	BOLT
35	14	MS21044N6	NUT
36	14	NAS1149D0616J	WASHER
37	14	NAS1149D0663J	WASHER

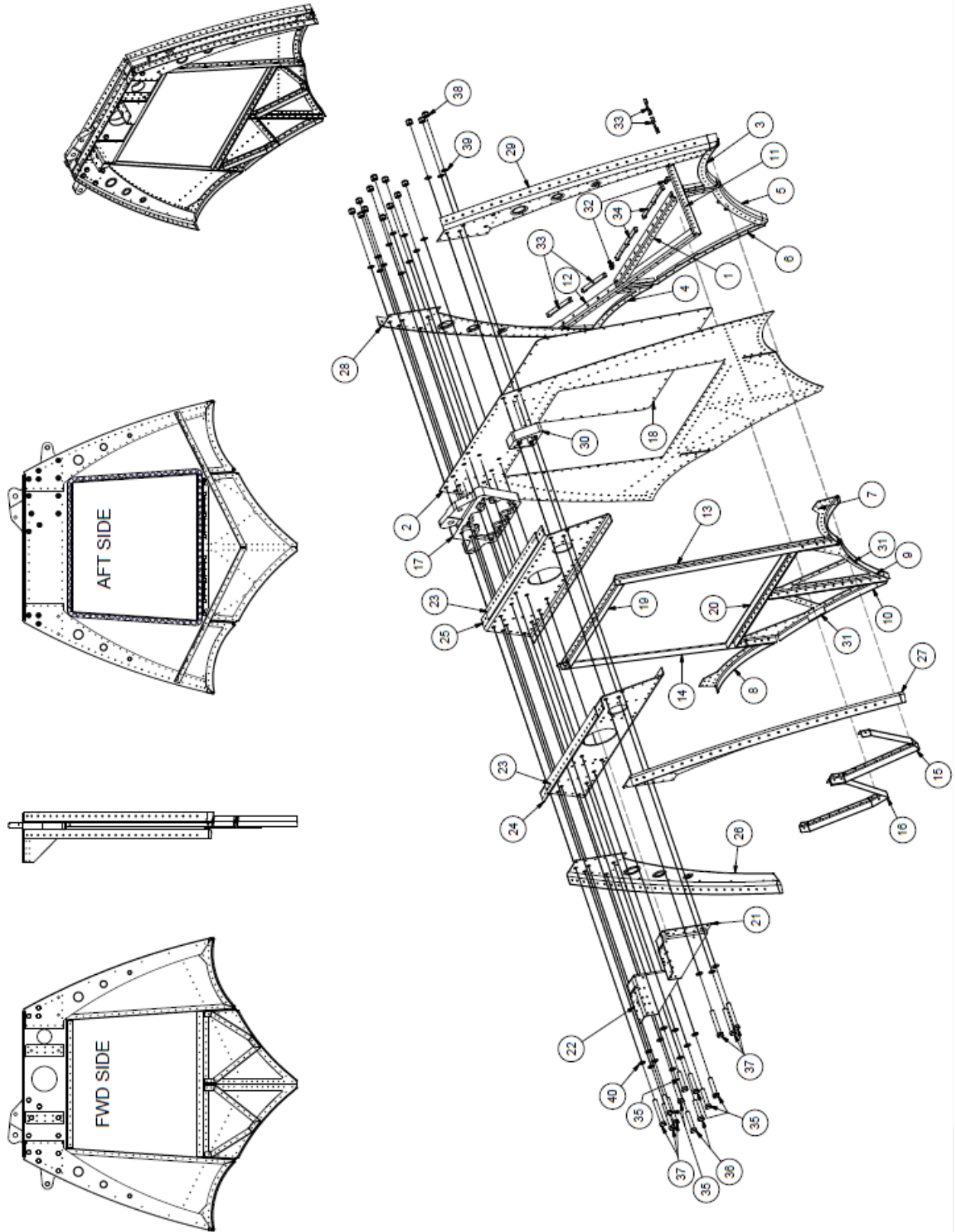
# ASS'Y., BULKHEAD 4 RIGHT FLOAT





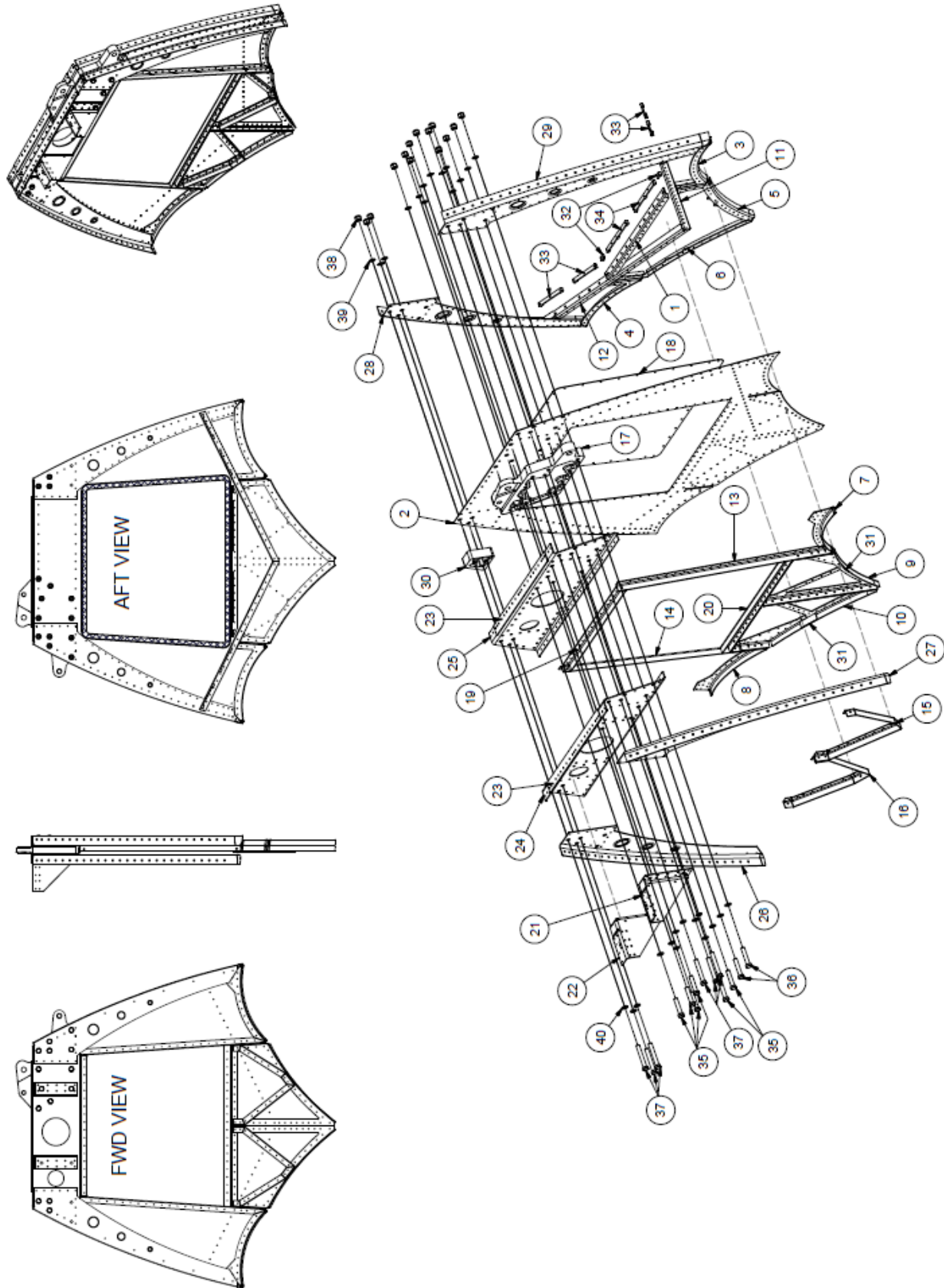
PARTS LIST ASS'Y., BULKHEAD 4 RIGHT FLOAT			
ITEM	QTY	PART NUMBER	DESCRIPTION
	1	1006050	ASSY., BLKHD #4 RIGHT FLOAT
1	1	1002940	SUPPORT, BAGGAGE FLOOR, BLKHD 4, 5
2	1	1002949	FLUTE, FWD, LH, BLKHD 4
3	1	1002950	FLUTE, FWD, RH, BLKHD 4
4	1	1002952	FLANGE, BOTTOM, CENTER, RH, BLKHD 4
5	1	1002953	FLANGE, BOTTOM, CENTER, LH, BLKHD 4
6	1	1003645	TRUSS, FLUTE SUPPORT, RT, BLKHD 4
7	1	1003646	TRUSS, FLUTE SUPPORT, LT, BLKHD 4
8	2	1003811	SHIM, BLKHD 4, 7000
9	1	1006074	PANEL, MAIN, BLKHD 4, 8750
10	1	1006094	FLANGE, BOTTOM, SIDE, AFT, RIGHT, BLKHD 4, 8750
11	1	1006095	FLANGE, BOTTOM, SIDE, AFT, LH, BLKHD 4
12	1	1006104	FLANGE, BOTTOM, SIDE, FWD, LEFT, BLKHD 4, 8750
13	1	1006105	FLANGE, BOTTOM, SIDE, FWD RH, BLKHD 4
14	1	1006120	STIFFENER, DIAGONAL, RIGHT, BLKHD 4, 8750
15	1	1006121	STIFFENER, DIAGONAL, LH, BAGGAGE FLOOR, BLKHD 4
16	1	1006124	STIFFENER, VERTICAL, LEFT, BLKHD 4, 8750
17	1	1006125	STIFFENER, VERTICAL, RH, BLKHD 4
18	1	1006274	ANGLE, ACCESS COVER SPPRT, BOTTOM, BH04, 8750
19	1	1006275	ANGLE, ACCESS COVER SPPRT, TOP, BH04, 8750
20	1	1006277	PANEL, ACCESS, BH04
	A/R	MS20426AD4-4.5	RIVETS (NOT SHOWN)
21	2	1006281	GUSSET, LEFT, TOPDECK RAIL, BLKHD 05
22	2	1006282	GUSSET, RIGHT, TOPDECK RAIL, BLKHD 05
23	2	1006287	SPACER, TOPSKIN TO SUPER PANEL
24	1	1006289	BRACE, SUPERPANEL, FWD, BLKHD 05, RIGHT FLOAT
25	1	1006329	SPACER, BATHTUB
26	1	1006474	FITTING, STRUT, FWD, BLKHD 04, RIGHT FLOAT
27	1	1006475	LEG, SUPERPANEL, FWD, LEFT, BLKHD 4
28	1	1006476	LEG, SUPERPANEL, FWD, RIGHT, BLKHD 4
29	1	1006477	LEG, SUPERPANEL, AFT, LEFT, BLKHD 4
30	1	1006478	LEG, SUPERPANEL, AFT, RIGHT, BLKHD 4, 8750
31	1	1006480	BRACE, SUPERPANEL, AFT, BLKHD 4, RIGHT FLOAT
32	4	AN6-16A	BOLT
33	4	AN6-17A	BOLT
34	6	AN6-20A	BOLT
35	14	MS21044N6	NUT
36	14	NAS1149D0616J	WASHER
37	14	NAS1149D0663J	WASHER

# ASS'Y., BULKHEAD 5 LEFT FLOAT



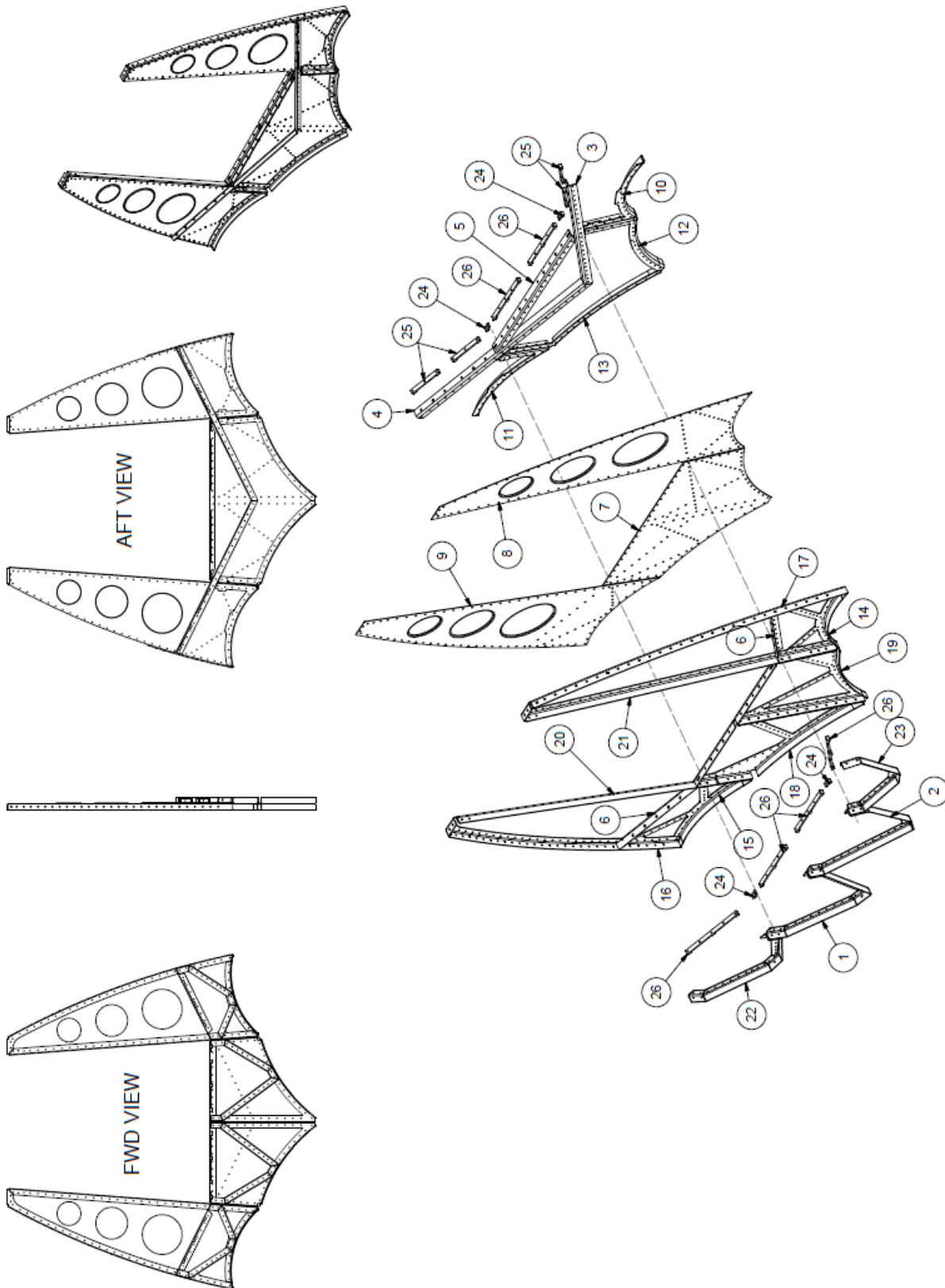
PARTS LIST			
ASS'Y., BULKHEAD 5 LEFT FLOAT			
ITEM	QTY	PART NUMBER	DESCRIPTION
	1	1006051	ASSY., BLKHD #5 LEFT FLOAT
1	1	1003562	SUPPORT, BAGGAGE FLOOR, BLKHD 8
2	1	1006075	PANEL, MAIN, BH05
3	1	1006096	FLANGE, BOTTOM, SIDE, AFT, LH, BLKHD 5
4	1	1006097	FLANGE, BOTTOM, SIDE, AFT, RH, BLKHD 5
5	1	1006100	FLANGE, BOTTOM, CENTER, LH, BLKHD 5
6	1	1006101	FLANGE, BOTTOM, CENTER, RH, BLKHD 5
7	1	1006106	FLANGE, BOTTOM, SIDE, FWD LH, BLKHD 5
8	1	1006107	FLANGE, BOTTOM, SIDE, FWD RH, BLKHD 5
9	1	1006116	FLUTE, FWD, LH, BLKHD 5
10	1	1006117	FLUTE, FWD, RH, BLKHD 5
11	1	1006122	STIFFENER, DIAGONAL, LH, BAGGAGE FLOOR, BLKHD 5
12	1	1006123	STIFFENER, DIAGONAL, RH, BAGGAGE FLOOR, BLKHD 5
13	1	1006126	STIFFENER, VERTICAL, LH, BLKHD 5
14	1	1006127	STIFFENER, VERTICAL, RH, BLKHD 5
15	1	1006130	TRUSS, FLUTE SUPPORT, LT, BLKHD 5
16	1	1006131	TRUSS, FLUTE SUPPORT, RT, BLKHD 5
17	1	1006217	FITTING, STRUT, FWD, BLKHD 05, LEFT FLOAT
18	1	1006278	PANEL, ACCESS, BLKHD 5
	A/R	MS20426AD4-4.5	RIVETS (NOT SHOWN)
19	1	1006279	SUPPORT, TOP, ACCESS COVER, BLKHD 05
20	1	1006280	SUPPORT, BOTTOM, ACCESS COVER, BLKHD 05
21	1	1006281	GUSSET, LEFT, TOPDECK RAIL, BLKHD 05
22	1	1006282	GUSSET, RIGHT, TOPDECK RAIL, BLKHD 05
23	2	1006287	SPACER, TOPSKIN TO SUPER PANEL
24	1	1006288	BRACE, SUPERPANEL, FWD, BLKHD 05, LEFT FLOAT
25	1	1006290	BRACE, SUPERPANEL, AFT, BLKHD 05, LEFT FLOAT
26	1	1006302	LEG, SUPERPANEL, FWD, RIGHT, BLKHD 05
27	1	1006304	LEG, SUPERPANEL, FWD, LEFT, BLKHD 05
28	1	1006306	LEG, SUPERPANEL, AFT, RIGHT, BLKHD 05
29	1	1006308	LEG, SUPERPANEL, AFT, LEFT, BLKHD 05
30	1	1006329	SPACER, BATHTUB
31	2	1006330	SHIM, TRUSS, FLUTE SUPPORT, BLKHD 05
32	2	1006511	NUTPLATE, NYLON, SINGLE, 8-32
33	4	1006512	NUTPLATE, NYLON, DOUBLE, 8-32
34	2	1006513	NUTPLATE, NYLON, TRIPLE, 8-32
35	6	AN6-16A	BOLT
36	2	AN6-17A	BOLT
37	6	AN6-24A	BOLT
38	14	MS21044N6	NUT
39	14	NAS1149D0616J	WASHER
40	14	NAS1149D0663J	WASHER

# ASS'Y., BULKHEAD 5 RIGHT FLOAT



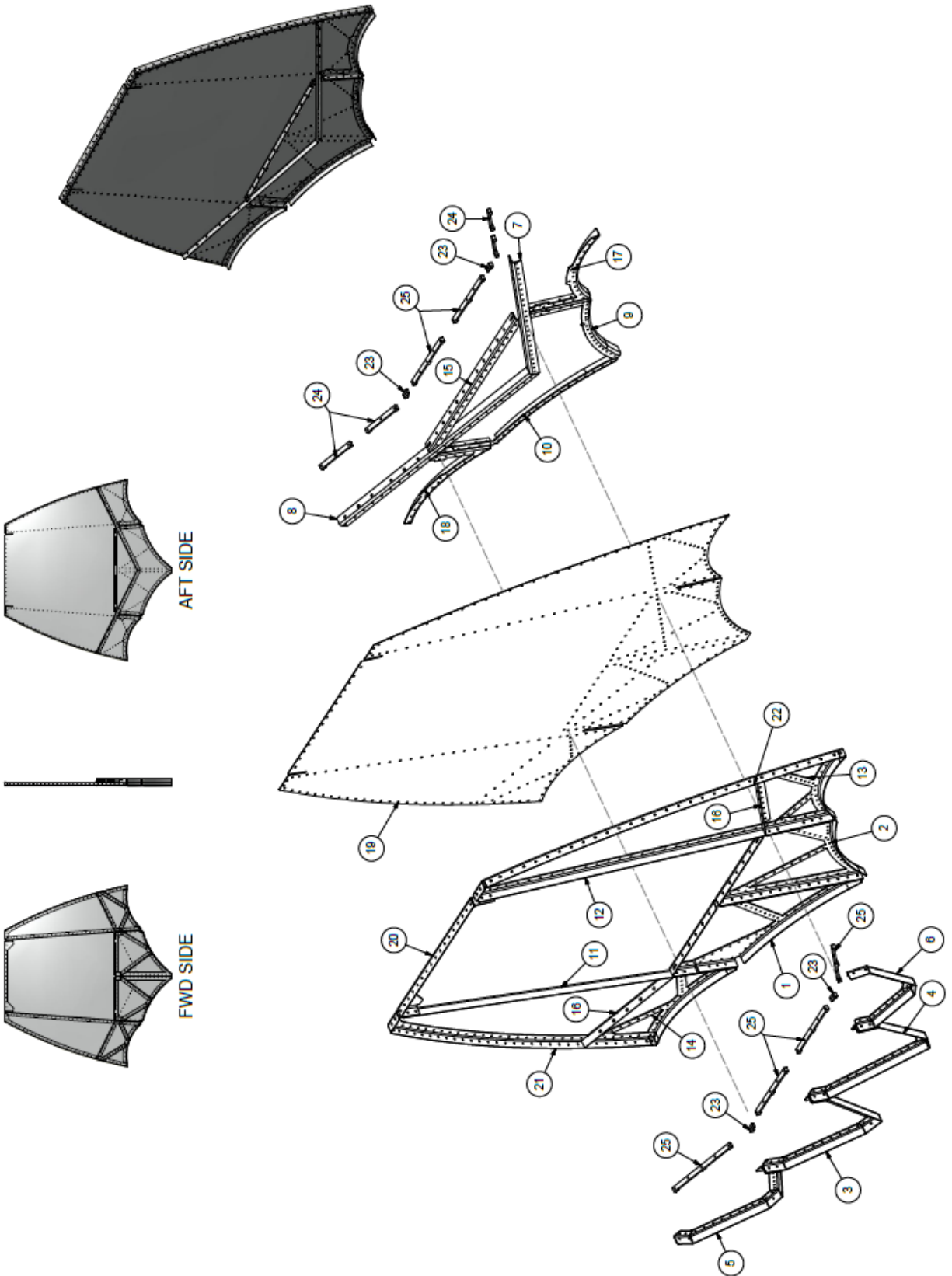
PARTS LIST			
ASS'Y., BULKHEAD 5 RIGHT FLOAT			
ITEM	QTY	PART NUMBER	DESCRIPTION
	1	1006052	ASSY., BLKHD #5 LEFT FLOAT
1	1	1003562	SUPPORT, BAGGAGE FLOOR, BLKHD 8
2	1	1006075	PANEL, MAIN, BH05
3	1	1006096	FLANGE, BOTTOM, SIDE, AFT, LH, BLKHD 5
4	1	1006097	FLANGE, BOTTOM, SIDE, AFT, RH, BLKHD 5
5	1	1006100	FLANGE, BOTTOM, CENTER, LH, BLKHD 5
6	1	1006101	FLANGE, BOTTOM, CENTER, RH, BLKHD 5
7	1	1006106	FLANGE, BOTTOM, SIDE, FWD LH, BLKHD 5
8	1	1006107	FLANGE, BOTTOM, SIDE, FWD RH, BLKHD 5
9	1	1006116	FLUTE, FWD, LH, BLKHD 5
10	1	1006117	FLUTE, FWD, RH, BLKHD 5
11	1	1006122	STIFFENER, DIAGONAL, LH, BAGGAGE FLOOR, BLKHD 5
12	1	1006123	STIFFENER, DIAGONAL, RH, BAGGAGE FLOOR, BLKHD 5
13	1	1006126	STIFFENER, VERTICAL, LH, BLKHD 5
14	1	1006127	STIFFENER, VERTICAL, RH, BLKHD 5
15	1	1006130	TRUSS, FLUTE SUPPORT, LT, BLKHD 5
16	1	1006131	TRUSS, FLUTE SUPPORT, RT, BLKHD 5
17	1	1006218	FITTING, STRUT, FWD, BLKHD 05, RIGHT FLOAT
18	1	1006278	PANEL, ACCESS, BLKHD 5
	A/R	MS20426AD4-4.5	RIVETS (NOT SHOWN)
19	1	1006279	SUPPORT, TOP, ACCESS COVER, BLKHD 05
20	1	1006280	SUPPORT, BOTTOM, ACCESS COVER, BLKHD 05
21	1	1006281	GUSSET, LEFT, TOPDECK RAIL, BLKHD 05
22	1	1006282	GUSSET, RIGHT, TOPDECK RAIL, BLKHD 05
23	2	1006287	SPACER, TOPSKIN TO SUPER PANEL
24	1	1006289	BRACE, SUPERPANEL, FWD, BLKHD 05, RIGHT FLOAT
25	1	1006291	BRACE, SUPERPANEL, AFT, BLKHD 05, RIGHT FLOAT
26	1	1006302	LEG, SUPERPANEL, FWD, RIGHT, BLKHD 05
27	1	1006304	LEG, SUPERPANEL, FWD, LEFT, BLKHD 05
28	1	1006306	LEG, SUPERPANEL, AFT, RIGHT, BLKHD 05
29	1	1006308	LEG, SUPERPANEL, AFT, LEFT, BLKHD 05
30	1	1006329	SPACER, BATHTUB
31	2	1006330	SHIM, TRUSS, FLUTE SUPPORT, BLKHD 05
32	2	1006511	NUTPLATE, NYLON, SINGLE, 8-32
33	4	1006512	NUTPLATE, NYLON, DOUBLE, 8-32
34	2	1006513	NUTPLATE, NYLON, TRIPLE, 8-32
35	6	AN6-16A	BOLT
36	2	AN6-17A	BOLT
37	6	AN6-24A	BOLT
38	14	MS21044N6	NUT
39	14	NAS1149D0616J	WASHER
40	14	NAS1149D0663J	WASHER

# ASS'Y., BULKHEAD 6



PARTS LIST ASS'Y., BULKHEAD 6			
ITEM	QTY	PART NUMBER	DESCRIPTION
	1	1006053	ASSY., BLKHD #6
1	1	1003550	TRUSS, FLUTE SUPPORT, IBRD, RT, BLKHD 9
2	1	1003551	TRUSS, FLUTE SUPPORT, IBRD, LT, BLKHD 9
3	1	1003554	STIFFENER, DIAGONAL, RH, BAGGAGE FLR, BLKHD 8 & 9
4	1	1003555	STIFFENER, DIAGONAL, LH, BAGGAGE FLR, BLKHD 8 & 9
5	1	1003562	SUPPORT, BAGGAGE FLOOR, BLKHD 8
6	2	1003604	SUPPORT, BAGGAGE FLOOR SIDES, BLKHD 8 & 9
7	1	1006076	PANEL, CENTER, BLKHD 6
8	1	1006077	PANEL, SIDE, LH, BLKHD 6
9	1	1006078	PANEL, SIDE, RH, BLKHD 6
10	1	1006098	FLANGE, BOTTOM, SIDE, AFT, LH, BLKHD 6
11	1	1006099	FLANGE, BOTTOM, SIDE, AFT, RH, BLKHD 6
12	1	1006102	FLANGE, BOTTOM, CENTER, LH, BLKHD 6
13	1	1006103	FLANGE, BOTTOM, CENTER, RH, BLKHD 6
14	1	1006108	FLANGE, BOTTOM, SIDE, FWD LH, BLKHD 6
15	1	1006109	FLANGE, BOTTOM, SIDE, FWD RH, BLKHD 6
16	1	1006114	FLANGE, SIDE, RH, BLKHD 6
17	1	1006115	FLANGE, SIDE, LH, BLKHD 6
18	1	1006118	FLUTE, FWD, RH, BLKHD 6
19	1	1006119	FLUTE, FWD, LH, BLKHD 6
20	1	1006128	STIFFENER, VERTICAL, RH, BLKHD 6
21	1	1006129	STIFFENER, VERTICAL, LH, BLKHD 6
22	1	1006500	TRUSS, FLUTE SUPPORT, OUTBOARD, RIGHT, BLKHD 6
23	1	1006501	TRUSS, FLUTE SUPPORT, OUTBOARD, LEFT, BLKHD 6
24	4	1006511	NUTPLATE, NYLON, SINGLE, 8-32
25	4	1006512	NUTPLATE, NYLON, DOUBLE, 8-32
26	6	1006513	NUTPLATE, NYLON, TRIPLE, 8-32

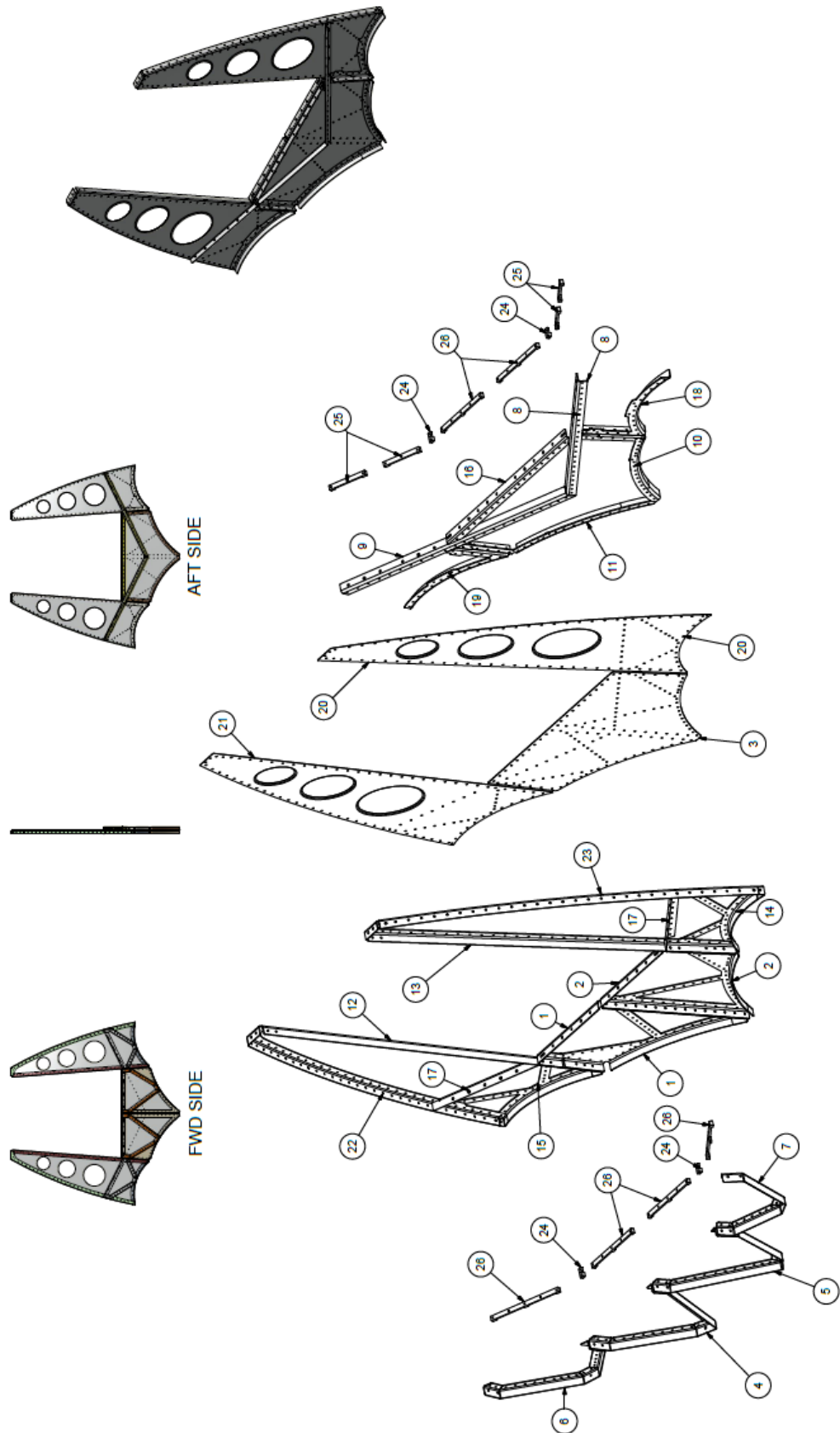
# ASS'Y., BULKHEAD 7





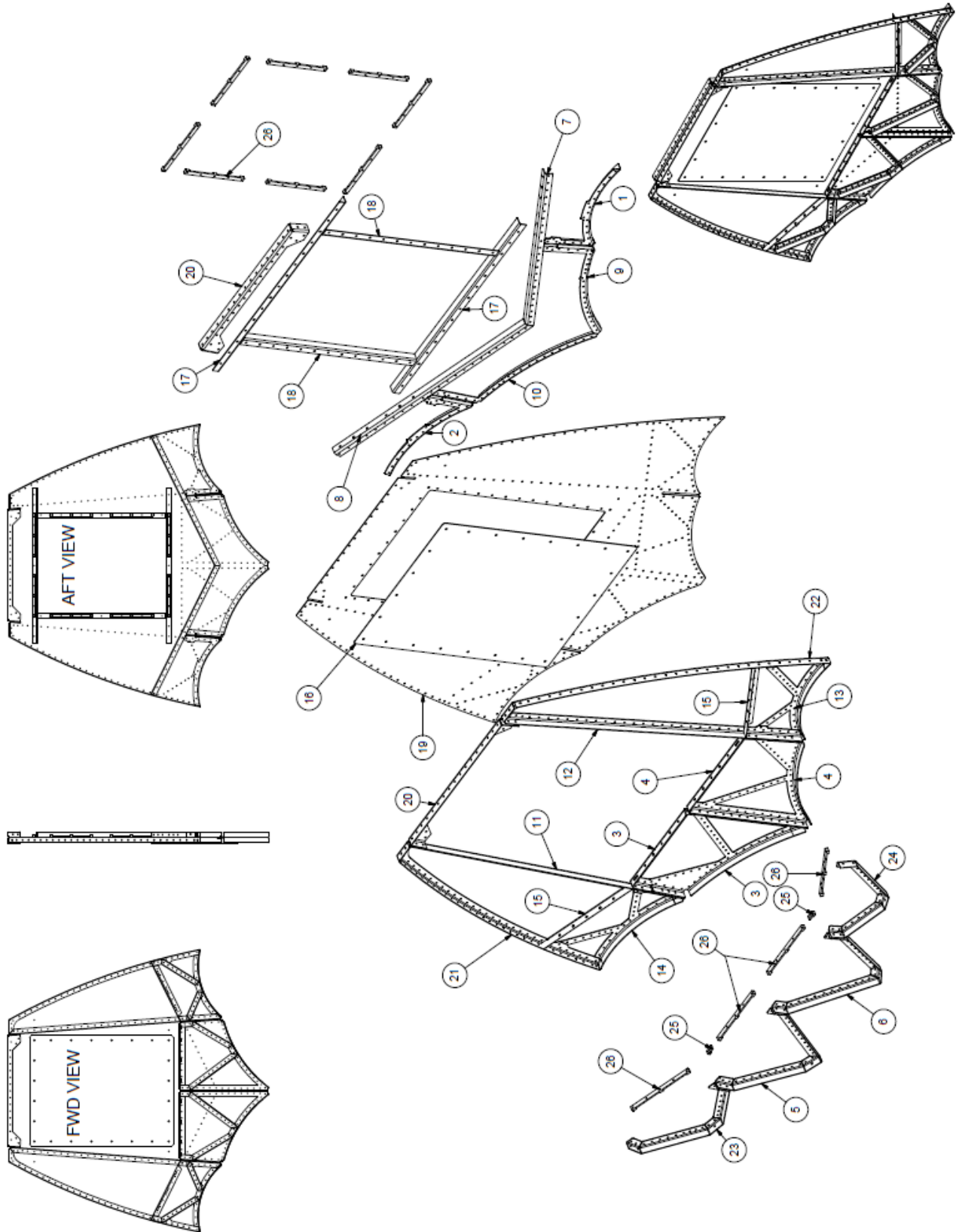
PARTS LIST ASS'Y., BULKHEAD 7			
ITEM	QTY	PART NUMBER	DESCRIPTION
	1	1006054	ASSY., BLKHD #7
1	1	1002873	FLUTE, FWD, RH, BLKHD 7, 8, 9
2	1	1002874	FLUTE, FWD, LH, BLKHD 7, 8, 9
3	1	1003550	TRUSS, FLUTE SUPPORT, IBRD, RT, BLKHD 9
4	1	1003551	TRUSS, FLUTE SUPPORT, IBRD, LT, BLKHD 9
5	1	1003552	TRUSS, FLUTE SUPPORT, OBRD, RT, BLKHD 8
6	1	1003553	TRUSS, FLUTE SUPPORT, OBRD, LT, BLKHD 8
7	1	1003554	STIFFENER, DIAGONAL, RH, BAGGAGE FLOOR, BLKHD 8, 9
8	1	1003555	STIFFENER, DIAGONAL, LH, BAGGAGE FLOOR, BLKHD 8, 9
9	1	1003556	FLANGE, BOTTOM, CENTER, LH, BLKHD 8, 9
10	1	1003557	FLANGE, BOTTOM, CENTER, RH, BLKHD 8, 9
11	1	1003558	STIFFENER, VERTICAL, RH, BLKHD 7,8,9
12	1	1003559	STIFFENER, VERTICAL, LH, BLKHD 7,8,9
13	1	1003560	FLANGE, BOTTOM, SIDE, FWD LH, BLKHD 8, 9
14	1	1003561	FLANGE, BOTTOM, SIDE, FWD, RH, BLKHD 8, 9
15	1	1003562	SUPPORT, BAGGAGE FLOOR, BLKHD 8
16	2	1003604	SUPPORT, BAGGAGE FLOOR SIDES, BLKHD 8, 9
17	1	1003670	FLANGE, BOTTOM, SIDE, AFT, LH, BLKHD 8
18	1	1003671	FLANGE, BOTTOM, SIDE, AFT, RH, BLKHD 8
19	1	1006079	PANEL, MAIN, BLKHD 7
20	1	1006270	BRACE, TOPSKIN, BLKHD 9 FWD
21	1	1006488	FLANGE, SIDE, RH, BLKHD 7, 8
22	1	1006489	FLANGE, SIDE, LH, BLKHD 7, 8
23	4	1006511	NUTPLATE, NYLON, SINGLE, 8-32
24	4	1006512	NUTPLATE, NYLON, DOUBLE, 8-32
25	6	1006513	NUTPLATE, NYLON, TRIPLE, 8-32

# ASS'Y., BULKHEAD 8



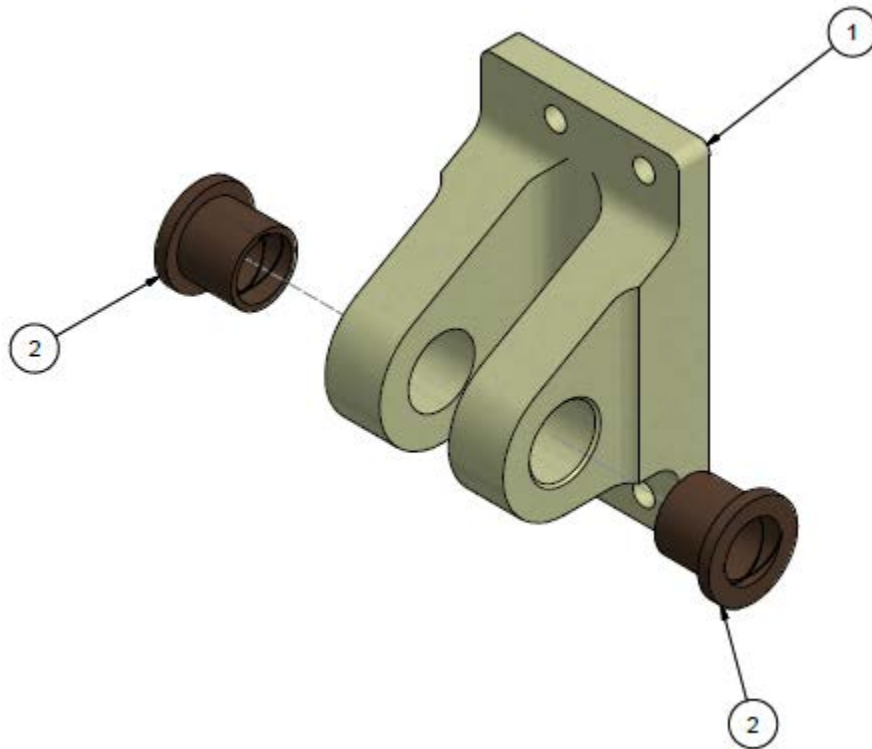
PARTS LIST ASS'Y., BULKHEAD 8			
ITEM	QTY	PART NUMBER	DESCRIPTION
	1	1006056	ASSY., BLKHD #8
1	1	1002873	FLUTE, FWD, RH, BLKHD 7, 8, 9
2	1	1002874	FLUTE, FWD, LH, BLKHD 7, 8, 9
3	1	1002891	PANEL, MAIN, BULKHEAD #8
4	1	1003550	TRUSS, FLUTE SUPPORT, IBRD, RT, BLKHD 9
5	1	1003551	TRUSS, FLUTE SUPPORT, IBRD, LT, BLKHD 9
6	1	1003552	TRUSS, FLUTE SUPPORT, OBRD, RT, BLKHD 8
7	1	1003553	TRUSS, FLUTE SUPPORT, OBRD, LT, BLKHD 8
8	1	1003554	STIFFENER, DIAGONAL, RH, BAGGAGE FLOOR, BLKHD 8, 9
9	1	1003555	STIFFENER, DIAGONAL, LH, BAGGAGE FLOOR, BLKHD 8, 9
10	1	1003556	FLANGE, BOTTOM, CENTER, LH, BLKHD 8, 9
11	1	1003557	FLANGE, BOTTOM, CENTER, RH, BLKHD 8, 9
12	1	1003558	STIFFENER, VERTICAL, RH, BLKHD 7,8,9
13	1	1003559	STIFFENER, VERTICAL, LH, BLKHD 7,8,9
14	1	1003560	FLANGE, BOTTOM, SIDE, FWD LH, BLKHD 8, 9
15	1	1003561	FLANGE, BOTTOM, SIDE, FWD, RH, BLKHD 8, 9
16	1	1003562	SUPPORT, BAGGAGE FLOOR, BLKHD 8
17	2	1003604	SUPPORT, BAGGAGE FLOOR SIDES, BLKHD 8, 9
18	1	1003670	FLANGE, BOTTOM, SIDE, AFT, LH, BLKHD 8
19	1	1003671	FLANGE, BOTTOM, SIDE, AFT, RH, BLKHD 8
20	1	1003778	PANEL, SIDE, LH, BLKHD 8
21	1	1003779	PANEL, SIDE, RH, BLKHD 8
22	1	1006488	FLANGE, SIDE, RH, BLKHD 7, 8
23	1	1006489	FLANGE, SIDE, LH, BLKHD 7, 8
24	4	1006511	NUTPLATE, NYLON, SINGLE, 8-32
25	4	1006512	NUTPLATE, NYLON, DOUBLE, 8-32
26	6	1006513	NUTPLATE, NYLON, TRIPLE, 8-32

# ASS'Y., BULKHEAD 9



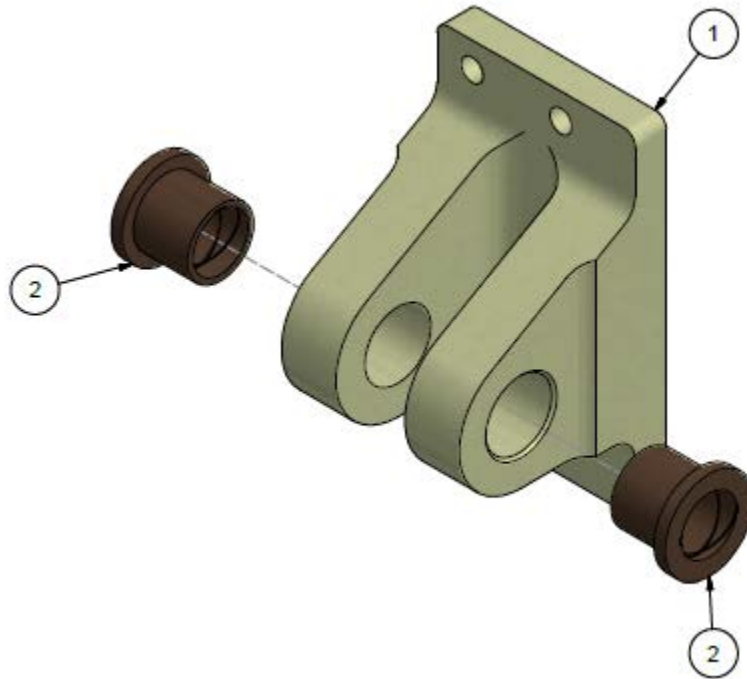
PARTS LIST ASS'Y., BULKHEAD 9			
ITEM	QTY	PART NUMBER	DESCRIPTION
	1	1006059	ASSY., BLKHD #9
1	1	1002871	FLANGE, BOTTOM, SIDE, AFT, LH, BLKHD 9
2	1	1002872	FLANGE, BOTTOM, SIDE, AFT, RH, BLKHD 9
3	1	1002873	FLUTE, FWD, RH, BLKHD 7, 8, 9
4	1	1002874	FLUTE, FWD, LH, BLKHD 7, 8, 9
5	1	1003550	TRUSS, FLUTE SUPPORT, IBRD, RT, BLKHD 9
6	1	1003551	TRUSS, FLUTE SUPPORT, IBRD, LT, BLKHD 9
7	1	1003554	STIFFENER, DIAGONAL, RH, BAGGAGE FLR, BLKHD 8 & 9
8	1	1003555	STIFFENER, DIAGONAL, LH, BAGGAGE FLR, BLKHD 8 & 9
9	1	1003556	FLANGE, BOTTOM, CENTER, LH, BLKHD 8, 9
10	1	1003557	FLANGE, BOTTOM, CENTER, RH, BLKHD 8, 9
11	1	1003558	STIFFENER, VERTICAL, RH, BLKHD 7,8,9
12	1	1003559	STIFFENER, VERTICAL, LH, BLKHD 7,8,9
13	1	1003560	FLANGE, BOTTOM, SIDE, FWD LH, BLKHD 8 & 9
14	1	1003561	FLANGE, BOTTOM, SIDE, FWD, RH, BLKHD 8 & 9
15	2	1003604	SUPPORT, BAGGAGE FLOOR SIDES, BLKHD 8 & 9
16	1	1003688	PANEL, ACCESS, BLKHD 9
	16	AN526-832R6	SCREW (NOT SHOWN)
17	2	1003689	STIFFENER, HORIZONTAL, ACCESS PANEL, BLKHD 9
18	2	1003690	STIFFENER, VERTICAL, ACCESS PANEL, BLKHD 9
19	1	1006080	PANEL, MAIN, BLKHD 9
20	2	1006270	BRACE, TOPSKIN, BH09 FWD
21	1	1006492	FLANGE, SIDE, RH, BLKHD 9
22	1	1006493	FLANGE, SIDE, LH, BLKHD 9
23	1	1006496	TRUSS, FLUTE SUPPORT, OUTBOARD, RIGHT, BLKHD 9
24	1	1006497	TRUSS, FLUTE SUPPORT, OUTBOARD, LEFT, BLKHD 9
25	2	1006511	NUTPLATE, NYLON, SINGLE, 8-32
26	12	1006513	NUTPLATE, NYLON, TRIPLE, 8-32

## ASS'Y., TRUNION LEFT



PARTS LIST ASS'Y., TRUNION LEFT			
ITEM	QTY	PART NUMBER	DESCRIPTION
	1	1002706	ASSY. TRUNION LEFT
1	1	1002705	TRUNION, LEFT
2	2	1003729	BUSHING, GROOVED, FLANGED

## ASS'Y., TRUNION RIGHT



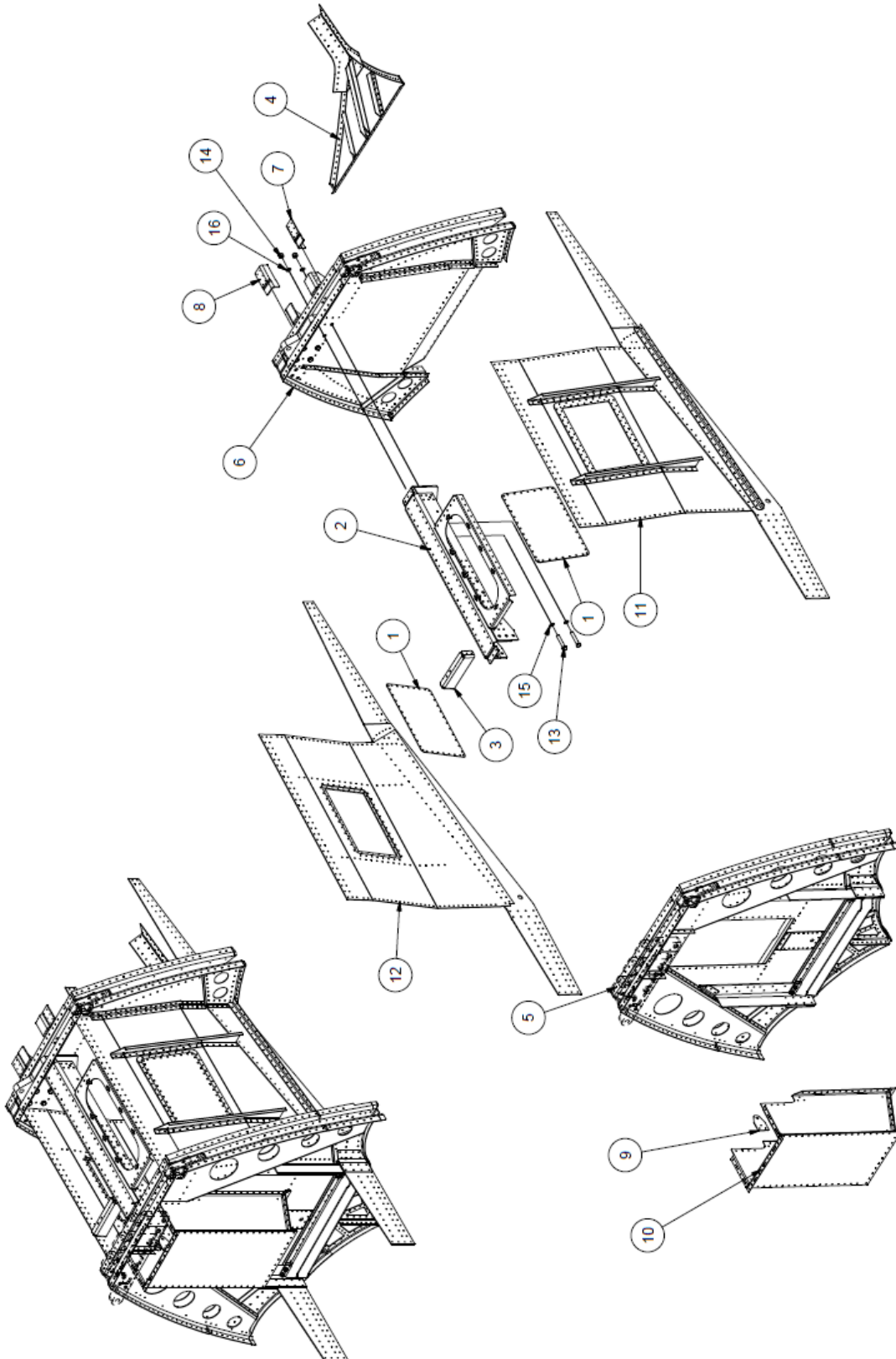
PARTS LIST ASS'Y., TRUNION RIGHT			
ITEM	QTY	PART NUMBER	DESCRIPTION
	1	1002708	ASSY. TRUNION RIGHT
1	1	1002707	TRUNION, RIGHT
2	2	1003729	BUSHING, GROOVED, FLANGED

THIS PAGE INTENTIONALLY LEFT BLANK



## **SECTION 4: WHEEL WELL ASSEMBLY**

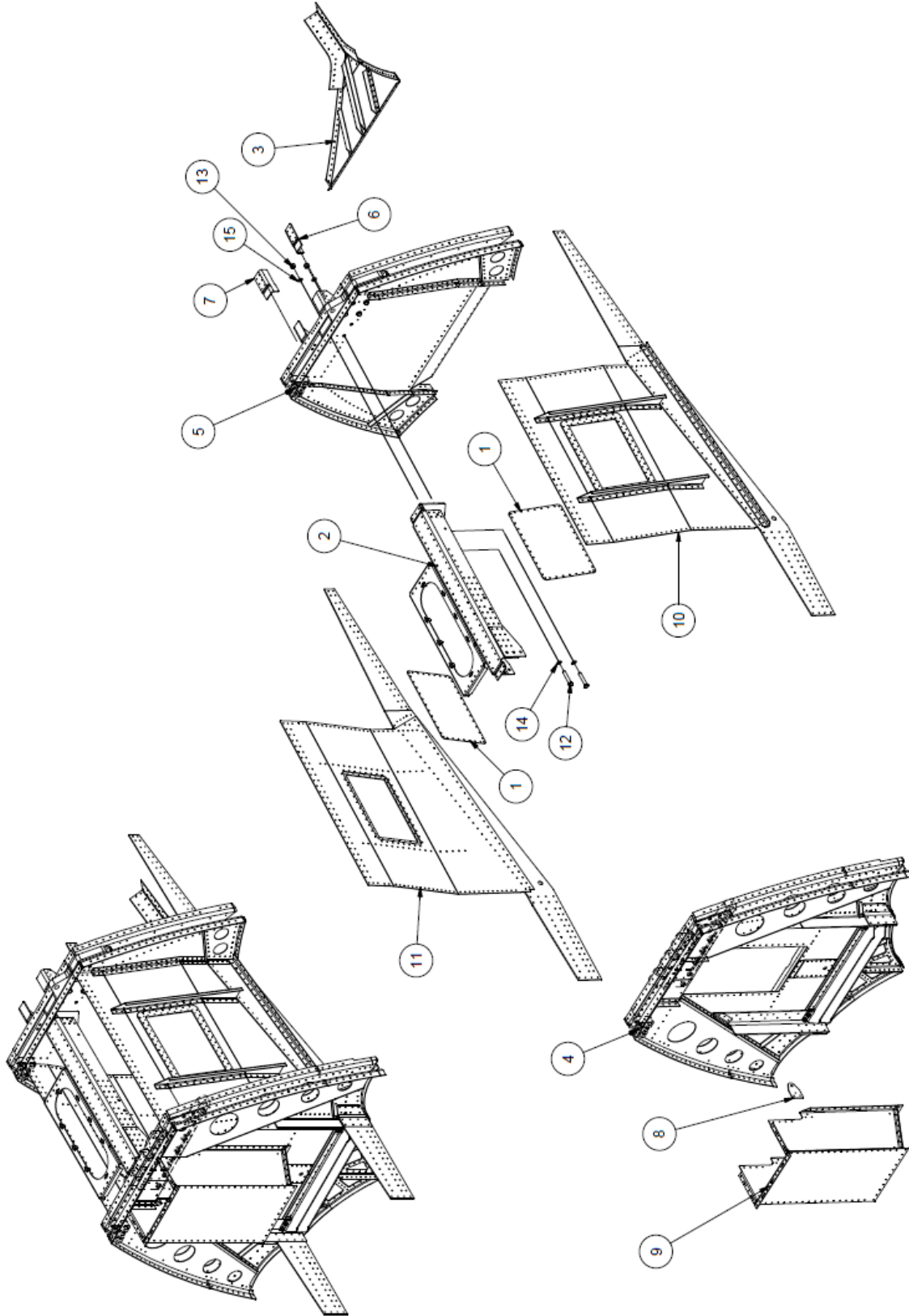
## ASS'Y., WHEEL WELL, LEFT FLOAT



PARTS LIST ASS'Y., WHEEL WELL, LEFT FLOAT			
ITEM	QTY	PART NUMBER	DESCRIPTION
	1	1006057	ASSEMBLY, WHEEL WELL, LEFT FLOAT
1	2	1003146	COVER, WHEEL WELL ACCESS
	80	AN526-632R4	SCREW, TRUSS HEAD
2	1	1004075	ASSY, CHANNEL, LH, MAIN GEAR
3	1	1005817	BRACKET, SUPPORT, SINGLE POINT FUEL RECEPTACLE
4	1	1006060	ASSY, WATER DEFLECTION PANEL
5	1	1006061	ASSY, BULKHEAD 10, LEFT FLOAT
6	1	1006063	ASSY, BULKHEAD 11, LEFT FLOAT
7	1	1006285*	DOUBLER, GUSSET, AFT RAIL, LEFT
8	1	1006286*	DOUBLER, GUSSET, AFT RAIL, RIGHT
9	1	1006345	MOUNT, PROXIMITY SENSOR
10	1	1006350	ASSEMBLY, GEAR TUNNEL
11	1	1006351	ASSEMBLY, WHEEL WELL PANEL, LEFT
12	1	1006352	ASSEMBLY, WHEEL WELL PANEL, RIGHT
13	2	AN6-20A	BOLT
14	2	MS21044N6	NUT
15	2	NAS1149D0616J	WASHER
16	2	NAS1149D0663J	WASHER

\*SUB COMPONENTS. ARE NOT ASSOCIATED WITH ASSY., WHEEL WELL, LEFT FLOAT

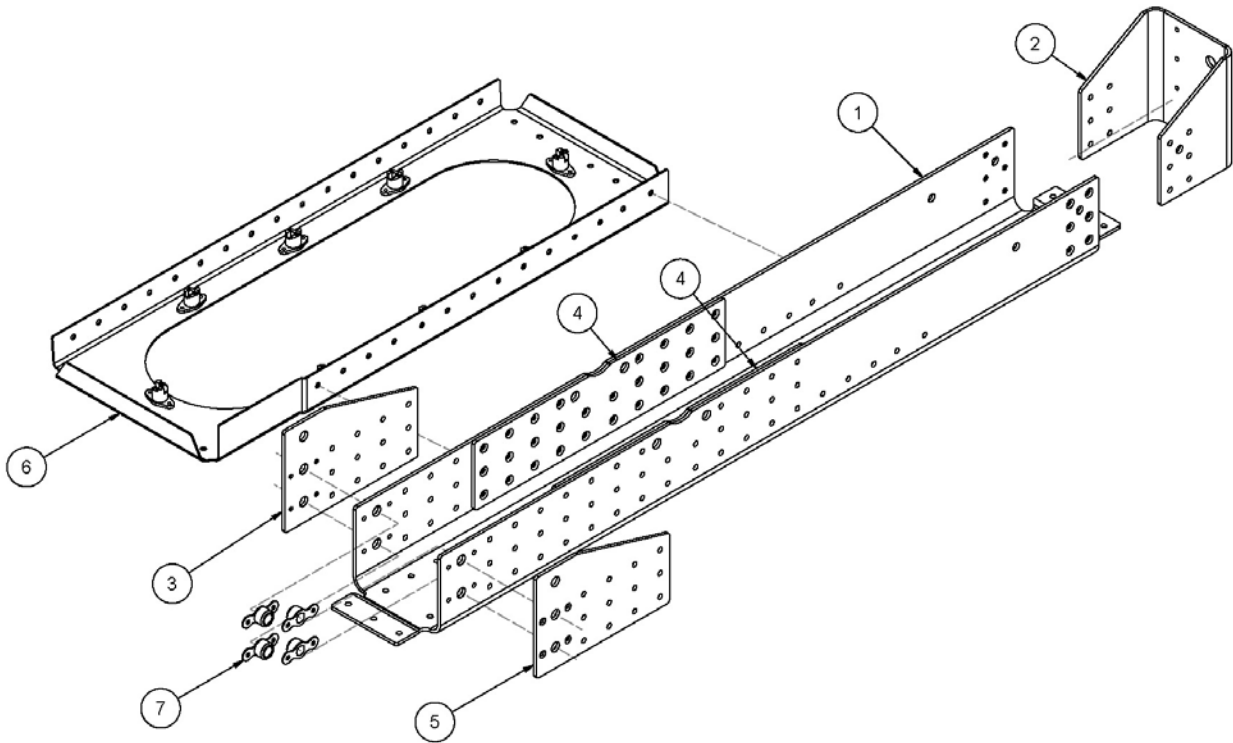
## ASS'Y., WHEEL WELL, RIGHT FLOAT



PARTS LIST ASS'Y., WHEEL WELL, RIGHT FLOAT			
ITEM	QTY	PART NUMBER	DESCRIPTION
	1	1006058	ASSEMBLY, WHEEL WELL, RIGHT FLOAT
1	2	1003146	COVER, WHEEL WELL ACCESS
	80	AN526-632R4	SCREW, TRUSS HEAD
2	1	1004076	ASS'Y, CHANNEL, RH, MAIN GEAR
3	1	1006060	ASSY, WATER DEFLECTION PANEL
4	1	1006062	ASSY, BULKHEAD 10, RIGHT FLOAT
5	1	1006064	ASSY, BULKHEAD 11, RIGHT FLOAT
6	1	1006285*	DOUBLER, GUSSET, AFT RAIL, LEFT
7	1	1006286*	DOUBLER, GUSSET, AFT RAIL, RIGHT
8	1	1006345	MOUNT, PROXIMITY SENSOR
9	1	1006350	ASSEMBLY, GEAR TUNNEL
10	1	1006351	ASSEMBLY, WHEEL WELL PANEL, LEFT
11	1	1006352	ASSEMBLY, WHEEL WELL PANEL, RIGHT
12	2	AN6-20A	BOLT
13	2	MS21044N6	NUT
14	2	NAS1149D0616J	WASHER
15	2	NAS1149D0663J	WASHER

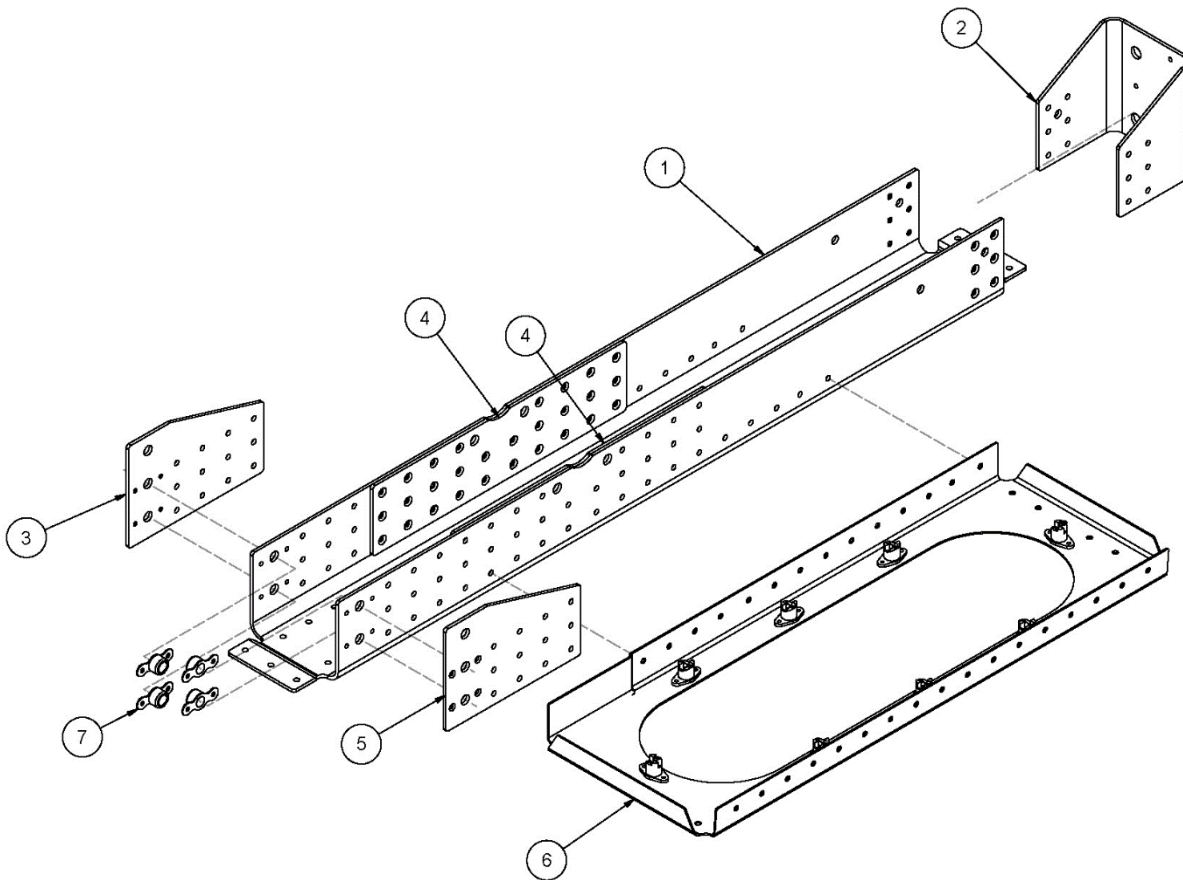
\*SUB COMPONENTS. ARE NOT ASSOCIATED WITH ASSY., WHEEL WELL, RIGHT FLOAT

## ASS'Y., CHANNEL, LH, MAIN GEAR



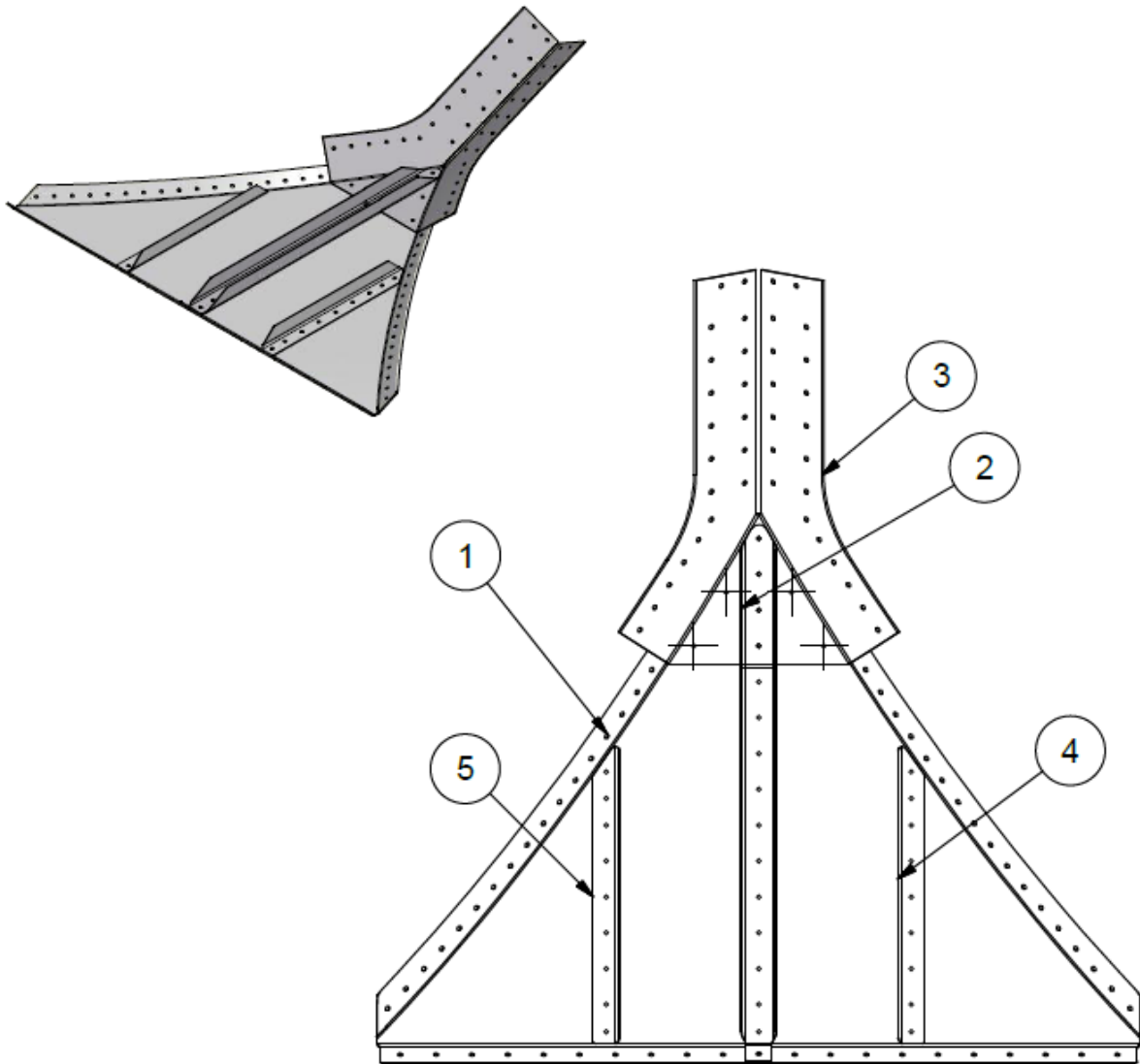
PARTS LIST ASS'Y., CHANNEL, LH, MAIN GEAR			
ITEM	QTY	PART NUMBER	DESCRIPTION
	1	1004075	ASSY, CHANNEL, LH, MAIN GEAR
1	1	1003815	CHANNEL, MAIN GEAR, WHEEL WELL
2	1	1004002	MOUNT, LH, CHANNEL, GEAR
3	1	1004004	DOUBLER, LH, OUTER, CHANNEL, GEAR
4	2	1004005	DOUBLER, INNER, CHANNEL, GEAR
5	1	1004011	DOUBLER, RH, OUTER, CHANNEL, GEAR
6	1	1004078	ASS'Y, RETAINER, GEAR ACCESS COVER
7	4	MS21047L5	NUT PLATE, SELF LOCKING

## ASS'Y., CHANNEL, RH, MAIN GEAR



PARTS LIST ASS'Y., CHANNEL, RH, MAIN GEAR			
ITEM	QTY	PART NUMBER	DESCRIPTION
	1	1004076	ASSY, CHANNEL, RH, MAIN GEAR
1	1	1003815	CHANNEL, MAIN GEAR, WHEEL WELL
2	1	1004003	MOUNT, RH, CHANNEL, GEAR
3	1	1004004	DOUBLER, LH, OUTER, CHANNEL, GEAR
4	2	1004005	DOUBLER, INNER, CHANNEL, GEAR
5	1	1004011	DOUBLER, RH, OUTER, CHANNEL, GEAR
6	1	1004077	ASS'Y, RETAINER, GEAR ACCESS COVER
7	4	MS21047L5	NUT PLATE, SELF LOCKING

## ASS'Y., WATER DEFLECTION PANEL

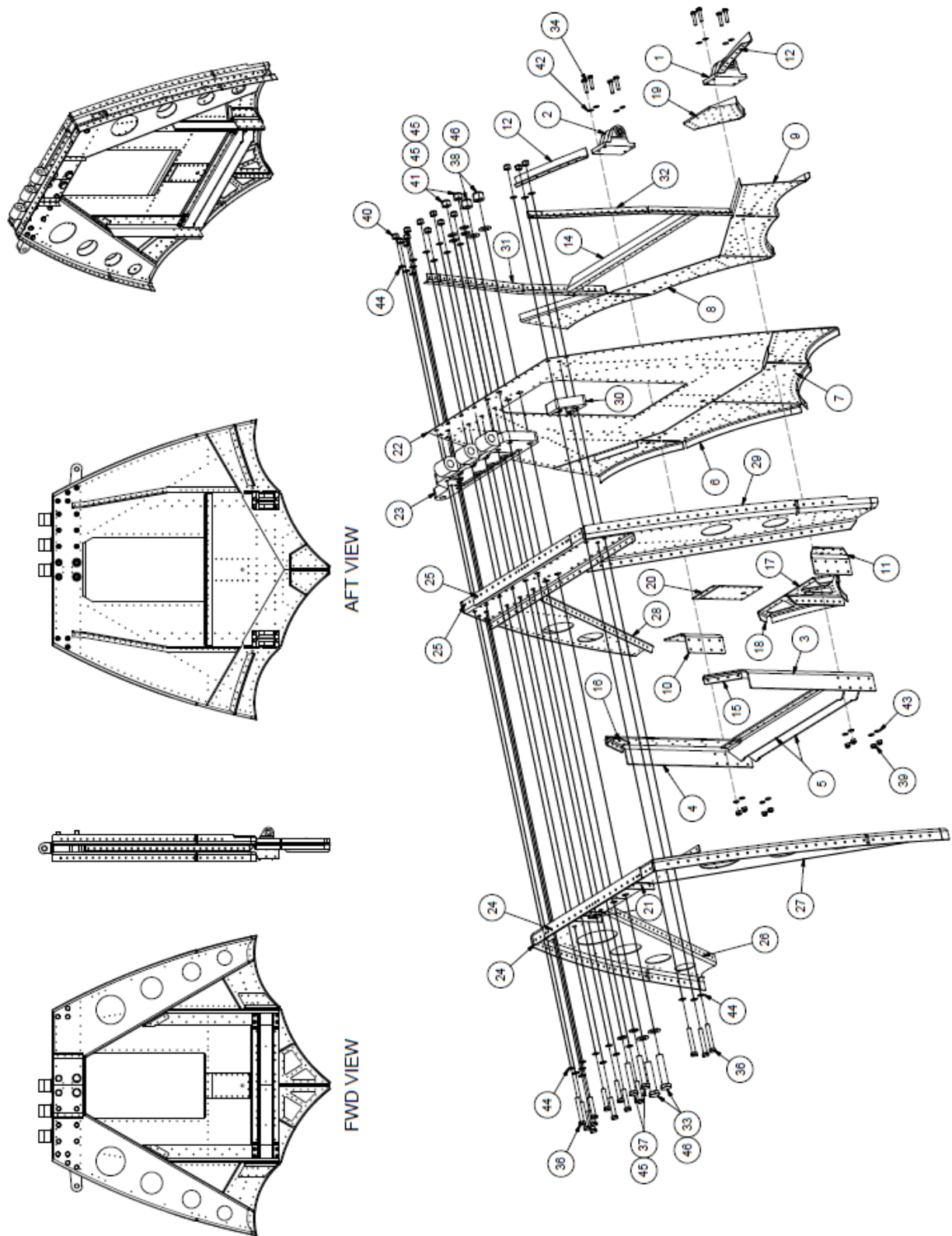


PARTS LIST			
ASS'Y., WATER DEFLECTION PANEL			
ITEM	QTY	PART NUMBER	DESCRIPTION
	1	1006060	ASSY, WATER DEFLECTION PANEL
1	1	1006082	PANEL, WATER DEFLECTION, BH11
2	1	1006423	STIFFENER, WATER DEFLECTION PANEL
3	1	1006481	DOUBLER, KEEL, AFT
4	1	1006483	STIFFENER, PANEL, LEFT, BH11
5	1	1006484	STIFFENER, PANEL, RIGHT, BH11



THIS PAGE INTENTIONALLY LEFT BLANK

## ASS'Y., BULKHEAD 10, LEFT FLOAT

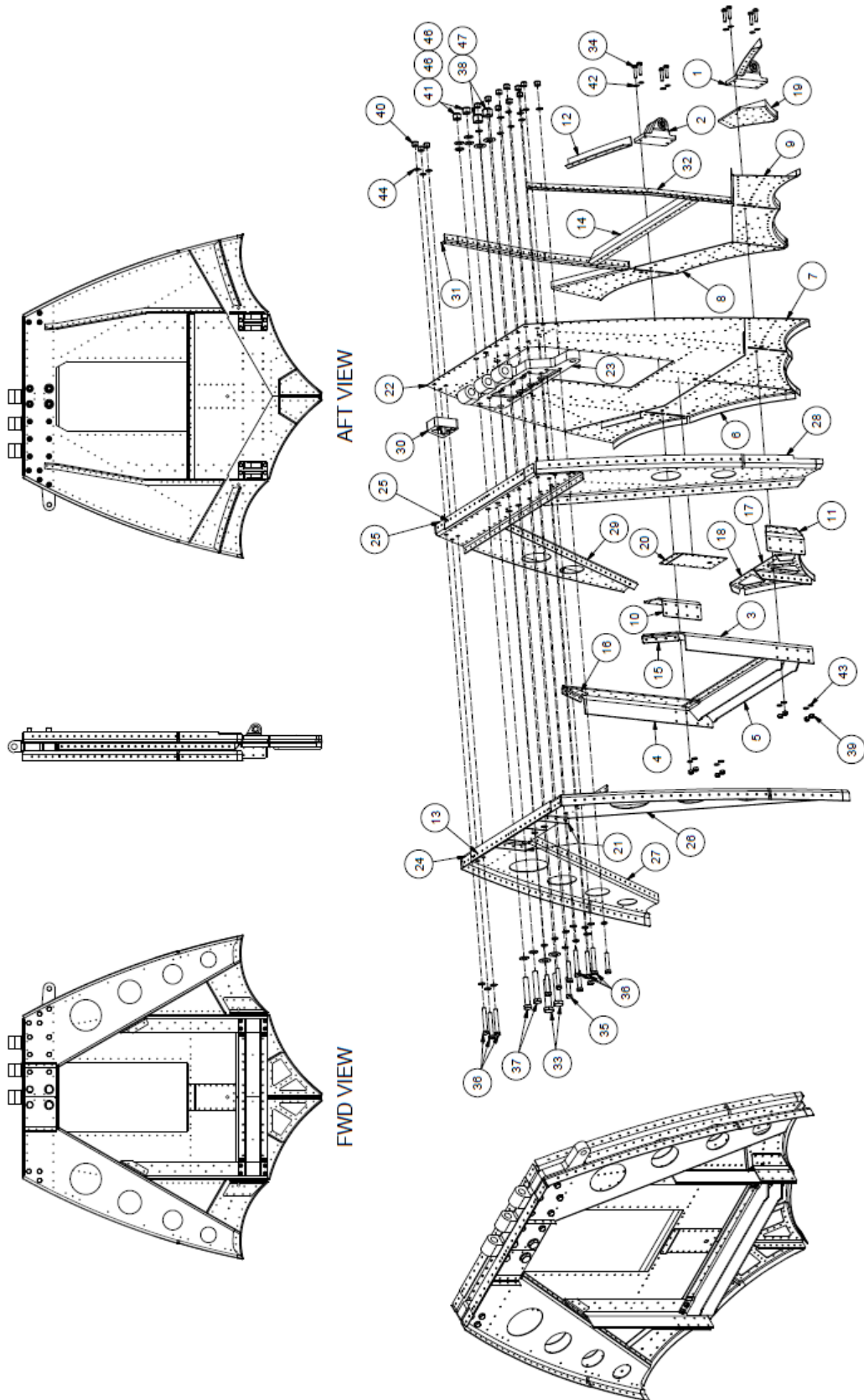


PARTS LIST			
ASS'Y., BULKHEAD 10, LEFT FLOAT (AMPHIBIAN)			
ITEM	QTY	PART NUMBER	DESCRIPTION
	1	1006061	ASS'Y., BLKHD #10, LEFT FLOAT
1	1	1002706	ASSY, TRUNION, LH
2	1	1002708	ASSY, TRUNION, RH
3	1	1002709	ANGLE, TRUNION, LH, BLKHD #10
4	1	1002710	ANGLE, TRUNION, RH, BLKHD #10
5	2	1002712	ANGLE, TRUNION, HORIZONTAL, BLKHD #10
6	1	1002730	FLUTE, FWD, RH, BLKHD 10
7	1	1002731	FLUTE, FWD, LH, BLKHD 10
8	1	1002734	FLUTE, AFT, RH, BLKHD 10
9	1	1002735	FLUTE, AFT, LH, BLKHD 10
10	1	1002736	ANGLE, FWD FLUTE, RH, BLKHD 10
11	1	1002737	ANGLE, FWD FLUTE, LH, BLKHD 10
12	2	1002740	ANGLE, ATTACH, BTM SKIN, BLKHD #10
13	2	1002748	SPACER, SUPER PANEL
14	1	1002978	STIFFENER, HORIZONTAL, BLKHD #10
15	1	1003105	CLEAT, SUPERPANEL, LH, BLKHD #10
16	1	1003108	CLEAT, SUPERPANEL, RH, BLKHD #10
17	1	1004822	REINFORCEMENT, STEP BLKHD, LH
18	1	1004823	REINFORCEMENT, STEP BLKHD, RH
19	1	1004828	SUPPORT, BLKHD & KEEL
20	1	1005879	REINFORCEMENT, HYDRAULIC BRAKE LINE
21	2	1006132	ANGLE, GEAR TUNNEL
22	1	1006134	PANEL, MAIN, BLKHD 10
23	1	1006219	FITTING, MAIN STRUT, BLKHD #10
24	1	1006292	BRACE, SUPERPANEL, FWD, BLKHD 10, LEFT FLOAT
25	1	1006294	BRACE, SUPERPANEL, AFT, BLKHD 10, LEFT FLOAT
26	1	1006310	LEG, SUPERPANEL, FWD, INBOARD, BLKHD 10, LEFT FLOAT
27	1	1006312	LEG, SUPERPANEL, FWD, OUTBRD, BLKHD 10, LEFT FLOAT
28	1	1006314	LEG, SUPERPANEL, AFT, INBRD, BLKHD 10, LEFT FLOAT
29	1	1006316	LEG, SUPERPANEL, AFT, OUTBRD, BLKHD 10, LEFT FLOAT
30	1	1006329	SPACER, BATHTUB
31	1	1006505	MOUNT, PANEL, RIGHT, FWD, WHEEL WELL
32	1	1006506	MOUNT, PANEL, LEFT, FWD, WHEEL WELL
33	2	AN10-30A	BOLT
34	8	AN4-11A	BOLT
35	7	AN6-17A	BOLT

PARTS LIST ASS'Y., BULKHEAD 10, LEFT FLOAT (AMPHIBIAN)			
36	6	AN6-24A	BOLT
37	2	AN8-27A	BOLT
38	2	MS21044N10	NUT
39	8	MS21044N4	NUT
40	13	MS21044N6	NUT
41	2	MS21044N8	NUT
42	8	NAS1149D0416J	WASHER
43	8	NAS1149D0463J	WASHER
44	26	NAS1149D0616J	WASHER
45	6	NAS1149F0863P	WASHER
46	4	NAS1149F1063P	WASHER

THIS PAGE INTENTIONALLY LEFT BLANK

# ASS'Y., BULKHEAD 10, RIGHT FLOAT



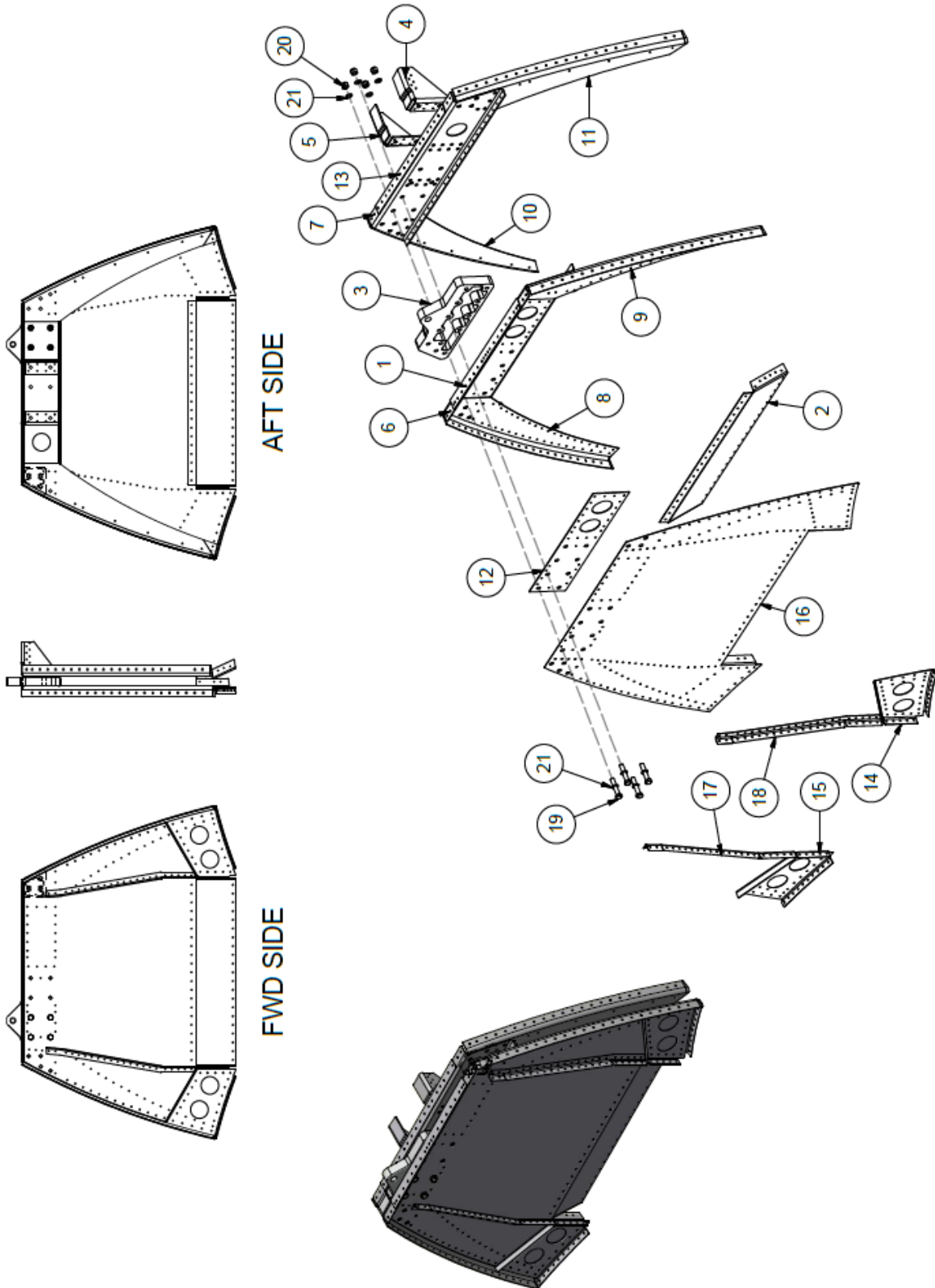
PARTS LIST ASS'Y., BULKHEAD 10, RIGHT FLOAT (AMPHIBIAN)			
ITEM	QTY	PART NUMBER	DESCRIPTION
	1	1006062	ASS'Y., BULKHEAD #10, RIGHT FLOAT
1	1	1002706	ASSY, TRUNION, LH
2	1	1002708	ASSY, TRUNION, RH
3	1	1002709	ANGLE, TRUNION, LH, BLKHD #10
4	1	1002710	ANGLE, TRUNION, RH, BLKHD #10
5	2	1002712	ANGLE, TRUNION, HORIZONTAL, BLKHD #10
6	1	1002730	FLUTE, FWD, RH, BLKHD 10
7	1	1002731	FLUTE, FWD, LH, BLKHD 10
8	1	1002734	FLUTE, AFT, RH, BLKHD 10
9	1	1002735	FLUTE, AFT, LH, BULKHEAD 10
10	1	1002736	ANGLE, FWD FLUTE, RH, BLKHD 10
11	1	1002737	ANGLE, FWD FLUTE, LH, BLKHD 10
12	2	1002740	ANGLE, ATTACH, BTM SKIN, BLKHD #10
13	2	1002748	SPACER, SUPER PANEL
14	1	1002978	STIFFENER, HORIZONTAL, BLKHD #10
15	1	1003105	CLEAT, SUPERPANEL, LH, BLKHD #10
16	1	1003108	CLEAT, SUPERPANEL, RH, BLKHD #10
17	1	1004822	REINFORCEMENT, STEP BLKHD, LH
18	1	1004823	REINFORCEMENT, STEP BLKHD, RH
19	1	1004828	SUPPORT, BLKHD & KEEL
20	1	1005879	REINFORCEMENT, HYDRAULIC BRAKE LINE
21	2	1006132	ANGLE, GEAR TUNNEL
22	1	1006134	PANEL, MAIN, BULKHEAD 10
23	1	1006219	FITTING, MAIN STRUT, BLKHD #10
24	1	1006293	BRACE, SUPERPANEL, FWD, BLKHD 10, RIGHT FLOAT
25	1	1006295	BRACE, SUPERPANEL, AFT, BLKHD 10, RIGHT FLOAT
26	1	1006311	LEG, SUPERPANEL, FWD, INBRD, BLKHD 10, RIGHT FLOAT
27	1	1006313	LEG, SUPERPANEL, FWD, OUTBRD, BLKHD 10, RIGHT FLOAT
28	1	1006315	LEG, SUPERPANEL, AFT, INBRD, BLKHD 10, RIGHT FLOAT
29	1	1006317	LEG, SUPERPANEL, AFT, OUTBRD, BLKHD 10, RIGHT FLOAT
30	1	1006329	SPACER, BATHTUB
31	1	1006505	MOUNT, PANEL, RIGHT, FWD, WHEEL WELL
32	1	1006506	MOUNT, PANEL, LEFT, FWD, WHEEL WELL
33	2	AN10-30A	BOLT
34	8	AN4-11A	BOLT
35	7	AN6-17A	BOLT
36	6	AN6-24A	BOLT

PARTS LIST ASS'Y., BULKHEAD 10, RIGHT FLOAT (AMPHIBIAN)			
37	2	AN8-30A	BOLT
38	2	MS21044N10	NUT
39	8	MS21044N4	NUT
40	13	MS21044N6	NUT
41	2	MS21044N8	NUT
42	8	NAS1149D0416J	WASHER
43	8	NAS1149D0463J	WASHER
44	13	NAS1149D0616J	WASHER
45	13	NAS1149D0663J	WASHER
46	6	NAS1149F0863P	WASHER
47	4	NAS1149F1063P	WASHER



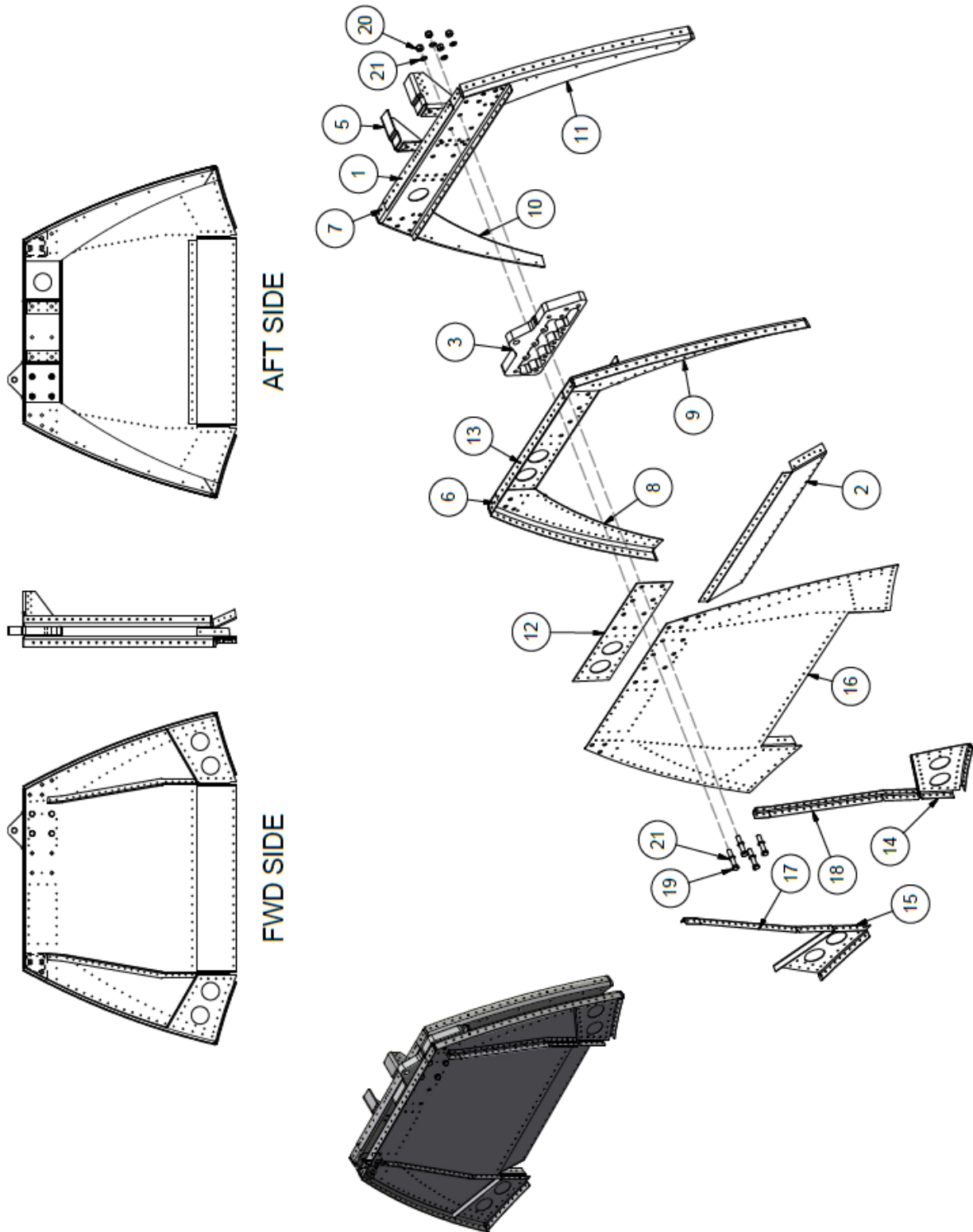
THIS PAGE INTENTIONALLY LEFT BLANK

### ASS'Y., BULKHEAD 11, LEFT FLOAT (AMPHIBIAN)



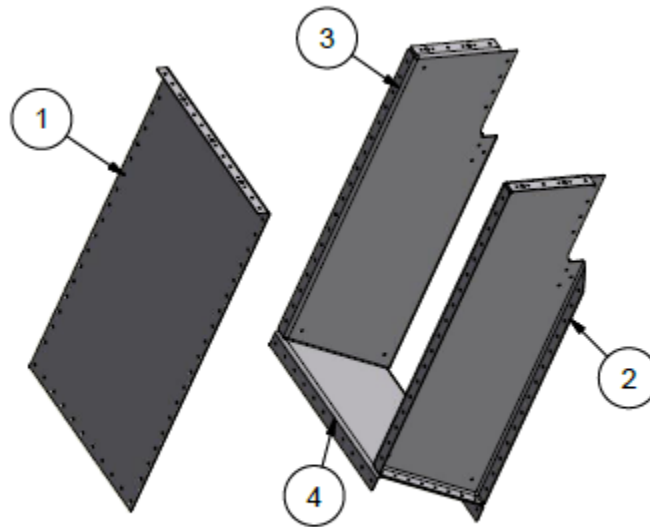
PARTS LIST ASS'Y., BULKHEAD 11, LEFT FLOAT (AMPHIBIAN)			
ITEM	QTY	PART NUMBER	DESCRIPTION
	1	1006063	ASS'Y., BULKHEAD #11, LEFT FLOAT
1	1	1002748	SPACER, SUPER PANEL
2	1	1004007	PANEL, LOWER, BH 11
3	1	1006220	FITTING, SUPERPANEL, BLKHD 11
4	1	1006283	GUSSET, AFT RAIL, LEFT
5	1	1006284	GUSSET, AFT RAIL, RIGHT
6	1	1006296	BRACE, SUPERPANEL, FWD, BULKHEAD 11, LEFT FLOAT
7	1	1006298	BRACE, SUPERPANEL, AFT, BULKHEAD 11, LEFT FLOAT
8	1	1006318	LEG, SUPERPANEL, FWD, RIGHT, BULKHEAD 11
9	1	1006320	LEG, SUPERPANEL, FWD, LEFT, BULKHEAD 11
10	1	1006322	LEG, SUPERPANEL, AFT, RIGHT, BULKHEAD 11
11	1	1006324	LEG, SUPERPANEL, AFT, LEFT, BULKHEAD 11
12	1	1006327	DOUBLER, BULKHEAD 11
13	1	1006328	SPACER, SUPER PANEL
14	1	1006343	FLUTE, FWD, LEFT, BULKHEAD 11
15	1	1006344	FLUTE, FWD, RT, LT FLT, BLKHD #11
16	1	1006503	PANEL, UPPER, BH11, LEFT
17	1	1006507	MOUNT, PANEL, RIGHT, AFT, WHEEL WELL
18	1	1006508	MOUNT, PANEL, LEFT, AFT, WHEEL WELL
19	4	AN6-17A	BOLT
20	4	MS21044N6	NUT
21	8	NAS1149D0663J	WASHER

# ASS'Y., BULKHEAD 11, RIGHT FLOAT (AMPHIBIAN)



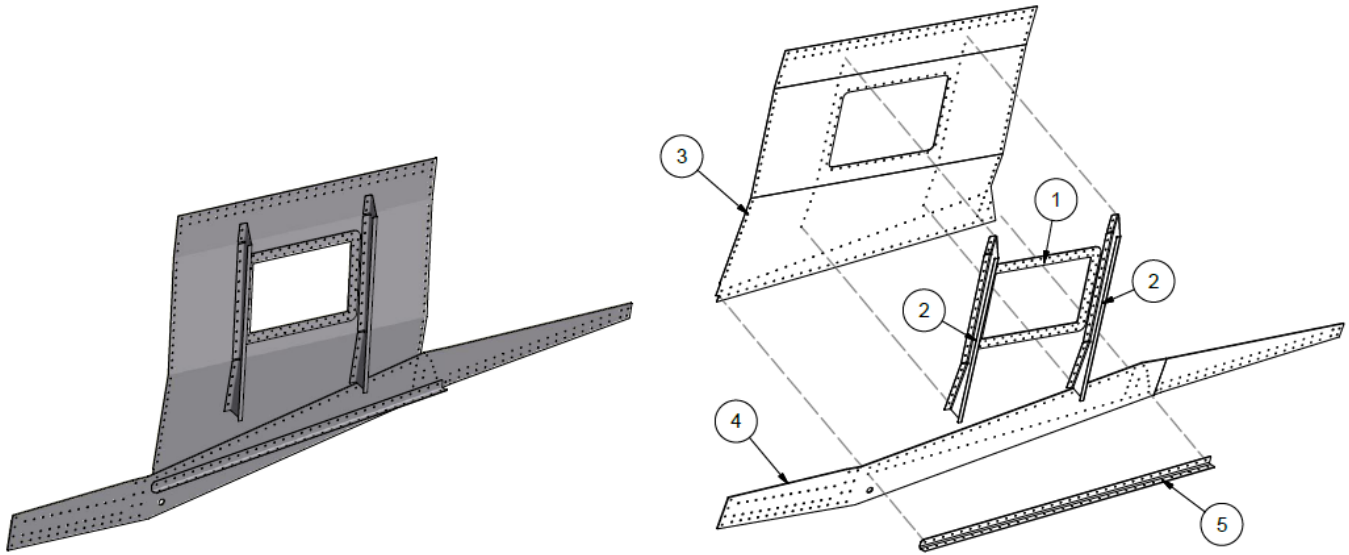
PARTS LIST ASS'Y., BULKHEAD 11, RIGHT FLOAT (AMPHIBIAN)			
ITEM	QTY	PART NUMBER	DESCRIPTION
	1	1006064	ASS'Y., BULKHEAD #11, RIGHT FLOAT
1	1	1002748	SPACER, SUPER PANEL
2	1	1004007	PANEL, LOWER, BH 11
3	1	1006220	FITTING, SUPERPANEL, BLKHD 11
4	1	1006283	GUSSET, AFT RAIL, LEFT
5	1	1006284	GUSSET, AFT RAIL, RIGHT
6	1	1006297	BRACE, SUPERPANEL, FWD, BULKHEAD 11, RIGHT FLOAT
7	1	1006299	BRACE, SUPERPANEL, AFT, BULKHEAD 11, RIGHT FLOAT
8	1	1006318	LEG, SUPERPANEL, FWD, RIGHT, BULKHEAD 11
9	1	1006320	LEG, SUPERPANEL, FWD, LEFT, BULKHEAD 11
10	1	1006322	LEG, SUPERPANEL, AFT, RIGHT, BULKHEAD 11
11	1	1006324	LEG, SUPERPANEL, AFT, LEFT, BULKHEAD 11
12	1	1006327	DOUBLER, BULKHEAD 11
13	1	1006328	SPACER, SUPER PANEL
14	1	1006343	FLUTE, FWD, LEFT, BULKHEAD 11
15	1	1006344	FLUTE, FWD, RT, LT FLT, BLKHD #11
16	1	1006504	PANEL, UPPER, BH11, RIGHT
17	1	1006507	MOUNT, PANEL, RIGHT, AFT, WHEEL WELL
18	1	1006508	MOUNT, PANEL, LEFT, AFT, WHEEL WELL
19	4	AN6-17A	BOLT
20	4	MS21044N6	NUT
21	8	NAS1149D0663J	WASHER

## ASS'Y., GEAR TUNNEL



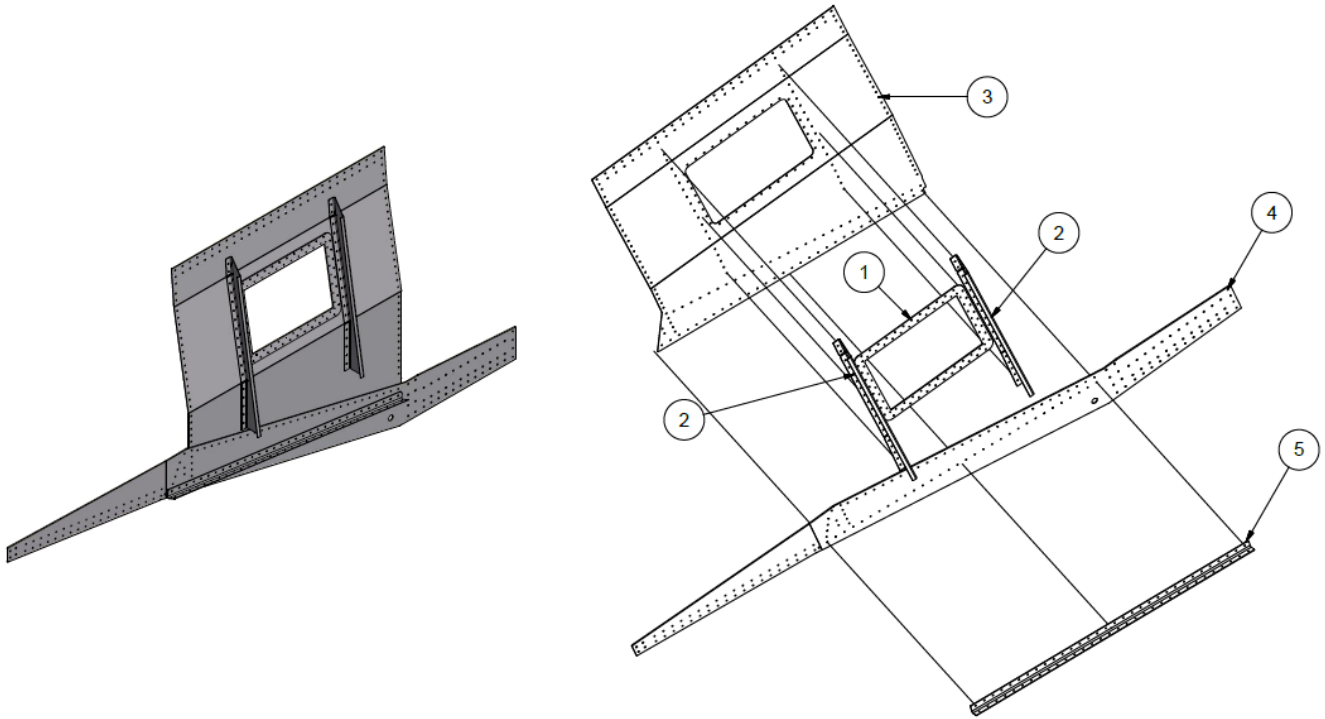
PARTS LIST ASS'Y., GEAR TUNNEL			
ITEM	QTY	PART NUMBER	DESCRIPTION
	1	1006350	ASS'Y., GEAR TUNNEL
1	1	1006349	PANEL, FRONT, GEAR TUNNEL
2	1	1006347	PANEL, SIDE, LH, GEAR TUNNEL
3	1	1006348	PANEL, SIDE, RH, GEAR TUNNEL
4	1	1006346	PANEL, BOTTOM, GEAR TUNNEL
5	1	1006284	GUSSET, AFT RAIL, RIGHT
6	1	1006297	BRACE, SUPERPANEL, FWD, BULKHEAD 11, RIGHT FLOAT

## ASS'Y., WHEEL WELL PANEL, LEFT



PARTS LIST ASS'Y., WHEEL WELL PANEL, LEFT			
ITEM	QTY	PART NUMBER	DESCRIPTION
	1	1006351	ASS'Y., WHEEL WELL PANEL, LEFT
1	1	1003222	RETAINER, COVER, WHEEL WELL PANEL, 7000
2	2	1006133	STIFFENER, WHEEL WELL SIDE PANEL
3	1	1006337	PANEL, SIDE, LT, WHEEL WELL
4	1	1006339	STRAP, CARRY THRU, LEFT
5	1	1006341	FLANGE, CARRY THRU STRAP

## ASS'Y., WHEEL WELL PANEL, RIGHT

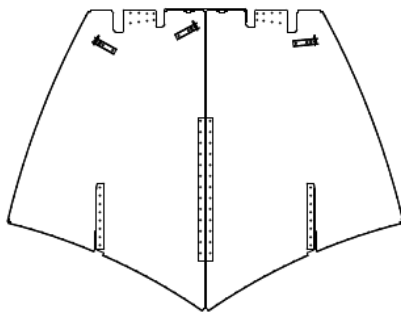


PARTS LIST			
ASS'Y., WHEEL WELL PANEL, RIGHT			
ITEM	QTY	PART NUMBER	DESCRIPTION
	1	1006352	ASS'Y., WHEEL WELL PANEL, LEFT
1	1	1003222	RETAINER, COVER, WHEEL WELL PANEL, 7000
2	2	1006133	STIFFENER, WHEEL WELL SIDE PANEL
3	1	1006338	PANEL, SIDE, RT, WHEEL WELL
4	1	1006340	STRAP, CARRY THRU, RIGHT
5	1	1006342	FLANGE, CARRY THRU STRAP

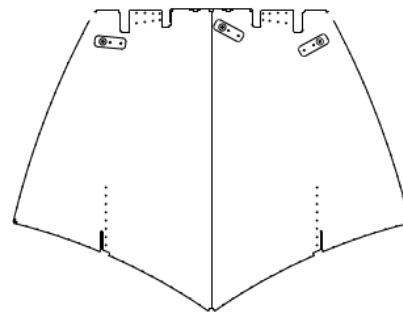


## **SECTION 5: AFT BULKHEADS**

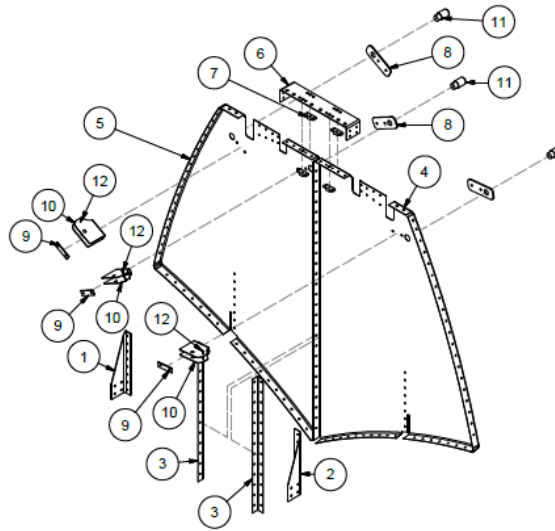
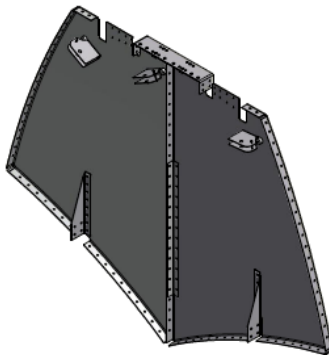
## ASS'Y., BULKHEAD 12, LEFT FLOAT



FWD SIDE



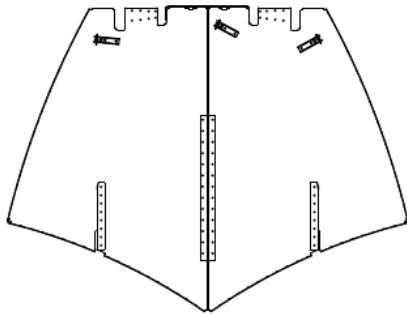
AFT SIDE



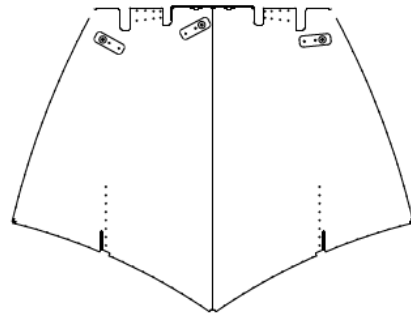
### PARTS LIST ASS'Y., BULKHEAD 12, LEFT FLOAT

ITEM	QTY	PART NUMBER	DESCRIPTION
	1	1006065	ASS'Y., BULKHEAD #12, LEFT FLOAT
1	1	1003217	CLEAT, RT, SISTER KEEL, AFT
2	1	1003218	CLEAT, LT, SISTER KEEL, AFT
3	2	1005967	ANGLE, SUPPORT, BULKHEAD 12
4	1	1006083	PANEL, OB, BH12, LEFT FLOAT
5	1	1006085	PANEL, IB, BH12, LEFT FLOAT
6	1	1006190	SUPPORT, TOPDECK COVER, WIDE
7	4	1006420-01	NUTPLATE, NYLON, 8-32
8	3	1008469	DOUBLER, CABLE GUIDE
9	3	10A01156-179	REINFORCEMENT, PULLEY
10	3	3A01151-010	PULLEY BRACKET
11	3	3A08605-001	CABLE GUIDE
12	3	MS24665-134	COTTER PIN

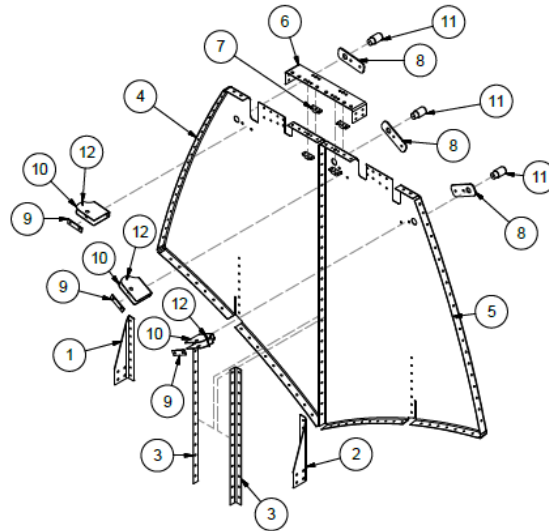
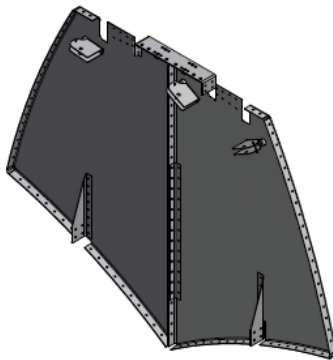
## ASS'Y., BULKHEAD 12, RIGHT FLOAT



FWD SIDE



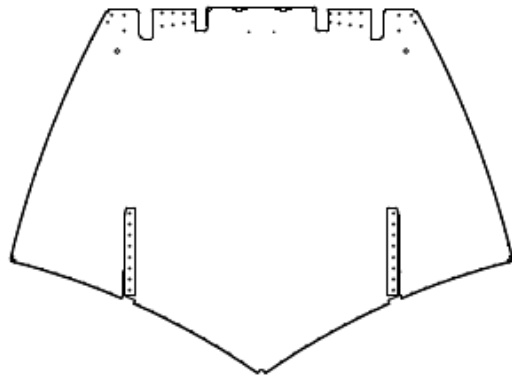
AFT SIDE



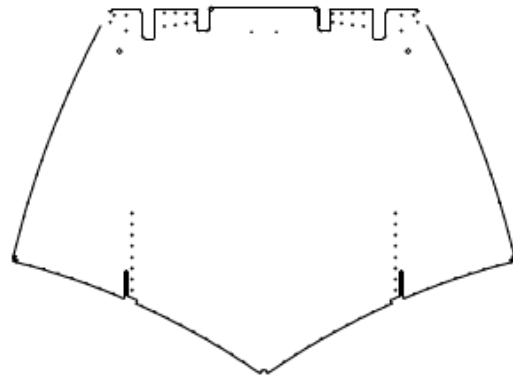
### PARTS LIST ASS'Y., BULKHEAD 12, RIGHT FLOAT

ITEM	QTY	PART NUMBER	DESCRIPTION
	1	1006066	ASS'Y., BULKHEAD #12, RIGHT FLOAT
1	1	1003217	CLEAT, RT, SISTER KEEL, AFT
2	1	1003218	CLEAT, LT, SISTER KEEL, AFT
3	2	1005967	ANGLE, SUPPORT, BULKHEAD 12
4	1	1006084	PANEL, OB, BH12, RIGHT FLOAT
5	1	1006086	PANEL, IB, BH12, RIGHT FLOAT
6	1	1006190	SUPPORT, TOPDECK COVER, WIDE
7	4	1006420-01	NUTPLATE, NYLON, 8-32
8	3	1008469	DOUBLER, CABLE GUIDE
9	3	10A01156-179	REINFORCEMENT, PULLEY
10	3	3A01151-010	PULLEY BRACKET
11	3	3A08605-001	CABLE GUIDE
12	3	MS24665-134	COTTER PIN

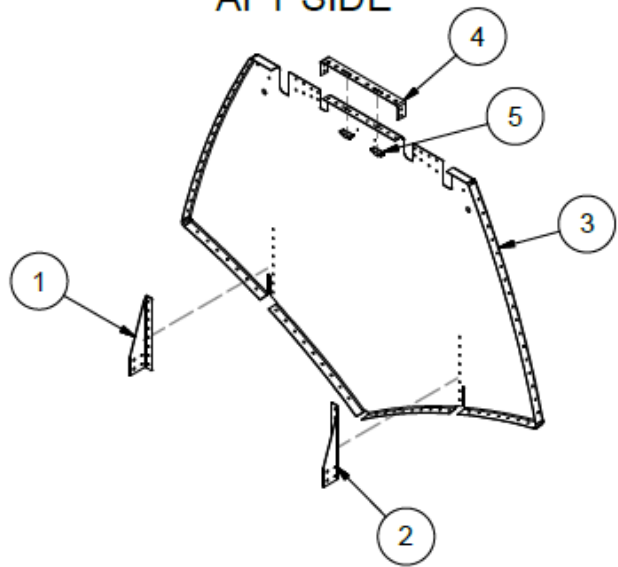
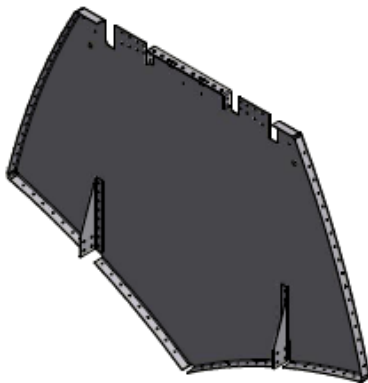
## ASS'Y., BULKHEAD 13



FWD SIDE

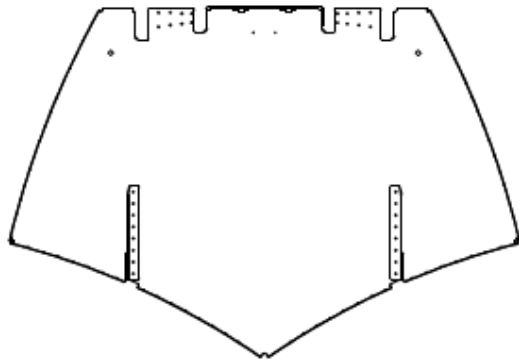


AFT SIDE

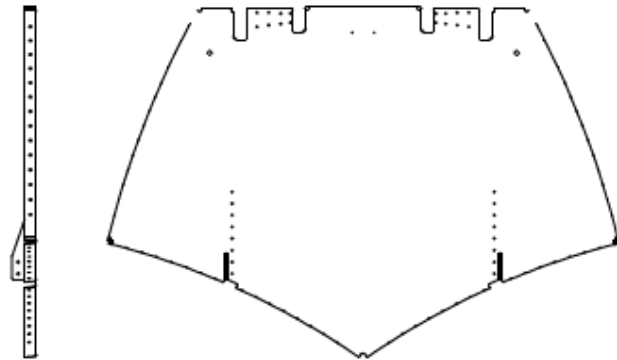


PARTS LIST ASS'Y., BULKHEAD 13			
ITEM	QTY	PART NUMBER	DESCRIPTION
	1	1006067	ASS'Y., BULKHEAD #13
1	1	1003217	CLEAT, RT, SISTER KEEL, AFT
2	1	1003218	CLEAT, LT, SISTER KEEL, AFT
3	1	1006087	PANEL, BH13
4	1	1006276	SUPPORT, TOPDECK COVER
5	2	1006420-01	NUTPLATE, NYLON, 8-32

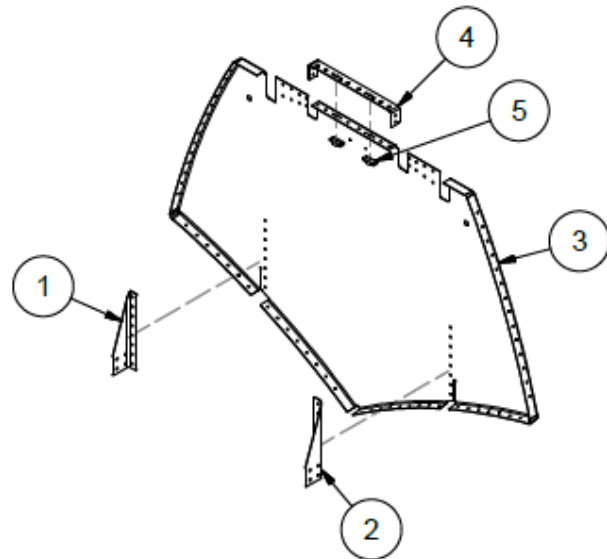
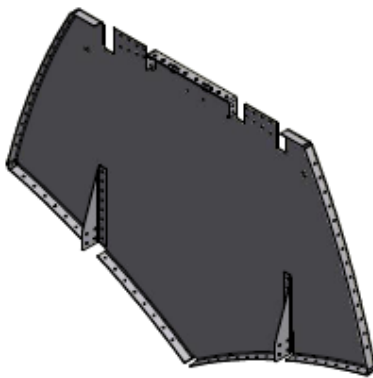
### ASS'Y., BULKHEAD 14



FWD SIDE

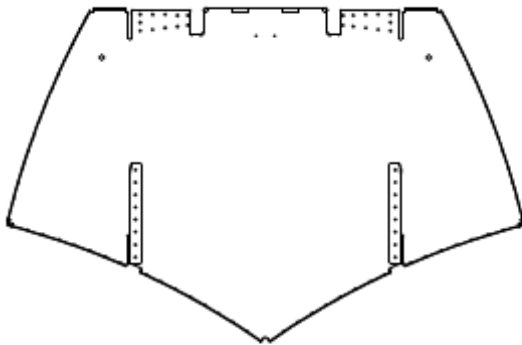


AFT SIDE

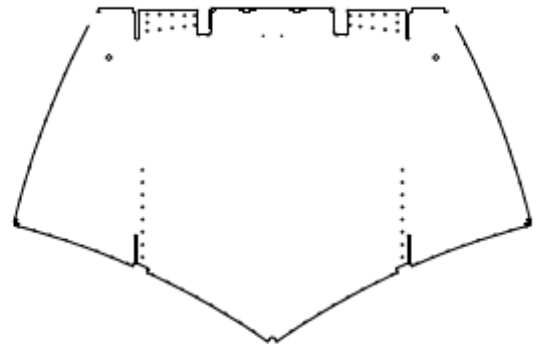


PARTS LIST ASS'Y., BULKHEAD 14			
ITEM	QTY	PART NUMBER	DESCRIPTION
	1	1006068	ASS'Y., BULKHEAD #14
1	1	1003217	CLEAT, RT, SISTER KEEL, AFT
2	1	1003218	CLEAT, LT, SISTER KEEL, AFT
3	1	1006088	PANEL, BH14
4	1	1006276	SUPPORT, TOPDECK COVER
5	2	1006420-01	NUTPLATE, NYLON, 8-32

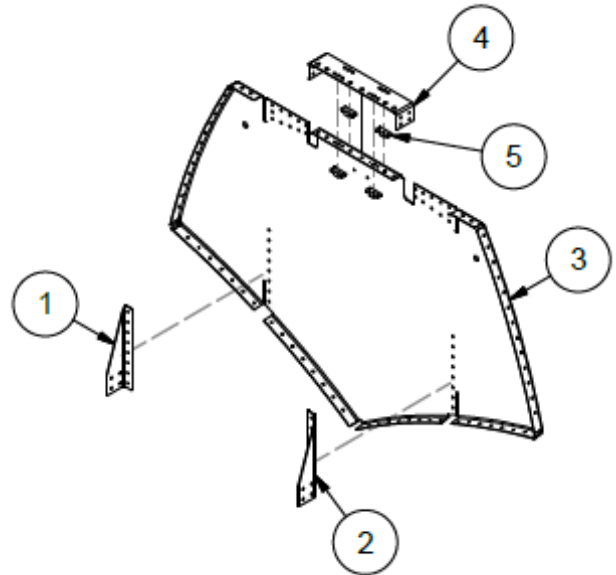
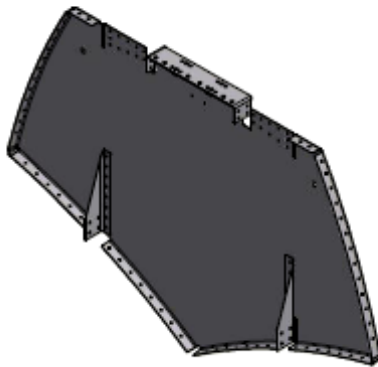
## ASS'Y., BULKHEAD 15



FWD SIDE

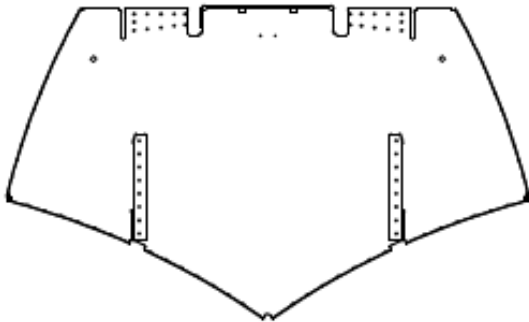


AFT SIDE

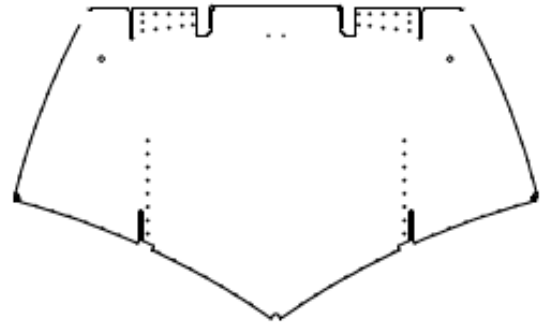


PARTS LIST ASS'Y., BULKHEAD 15			
ITEM	QTY	PART NUMBER	DESCRIPTION
	1	1006069	ASS'Y., BULKHEAD #15
1	1	1003217	CLEAT, RT, SISTER KEEL, AFT
2	1	1003218	CLEAT, LT, SISTER KEEL, AFT
3	1	1006089	PANEL, BH15
4	1	1006190	SUPPORT, TOPDECK COVER, WIDE
5	4	1006420-01	NUTPLATE, NYLON, 8-32

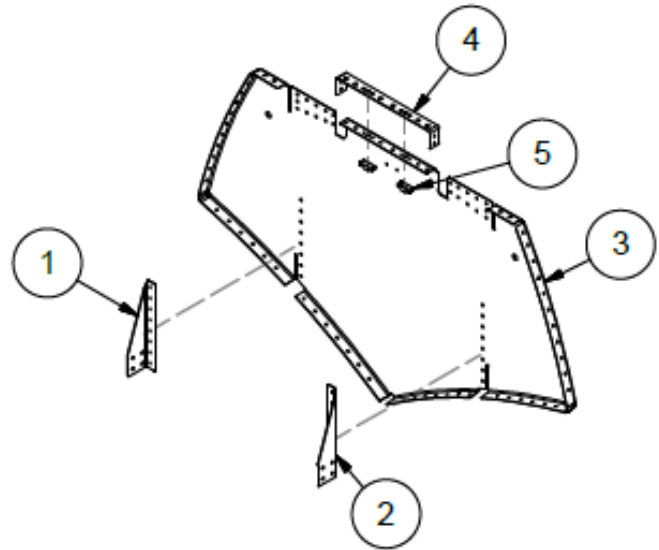
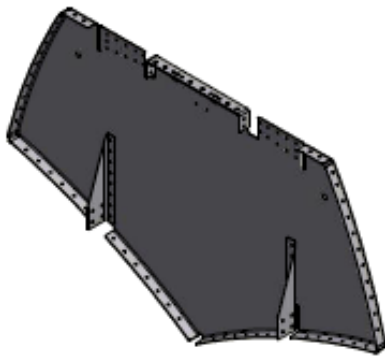
### ASS'Y., BULKHEAD 16



FWD SIDE

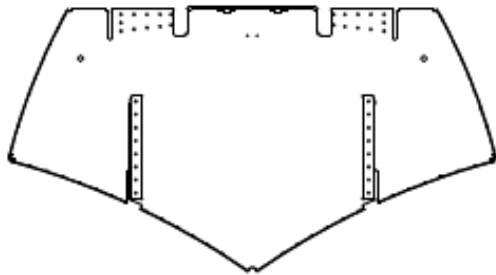


AFT SIDE

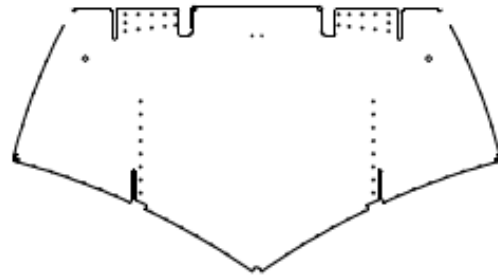


PARTS LIST ASS'Y., BULKHEAD 16			
ITEM	QTY	PART NUMBER	DESCRIPTION
	1	1006070	ASS'Y., BULKHEAD 16
1	1	1003217	CLEAT, RT, SISTER KEEL, AFT
2	1	1003218	CLEAT, LT, SISTER KEEL, AFT
3	1	1006090	PANEL, BH16
4	1	1006276	SUPPORT, TOPDECK COVER
5	2	1006420-01	NUTPLATE, NYLON, 8-32

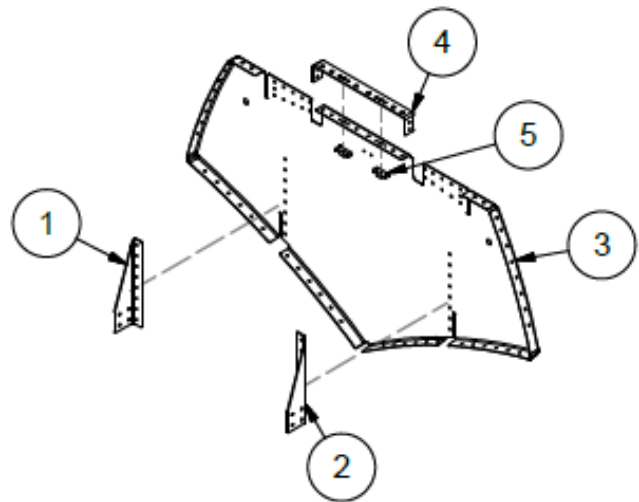
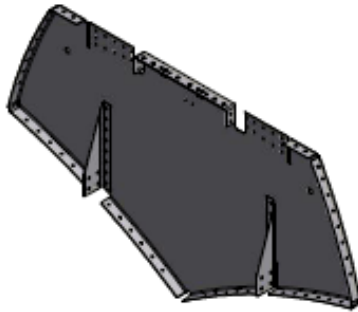
## ASS'Y., BULKHEAD 17



FWD SIDE



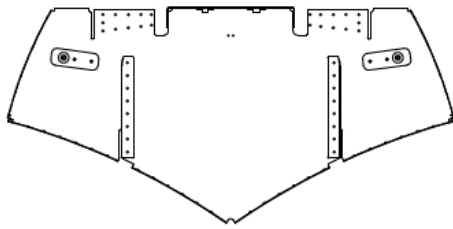
AFT SIDE



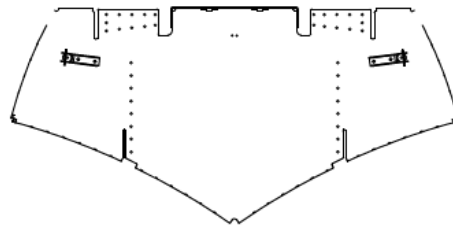
PARTS LIST ASS'Y., BULKHEAD 17			
ITEM	QTY	PART NUMBER	DESCRIPTION
	1	1006071	ASS'Y., BULKHEAD 17
1	1	1003217	CLEAT, RT, SISTER KEEL, AFT
2	1	1003218	CLEAT, LT, SISTER KEEL, AFT
3	1	1006091	PANEL, BH17
4	1	1006276	SUPPORT, TOPDECK COVER
5	2	1006420-01	NUTPLATE, NYLON, 8-32



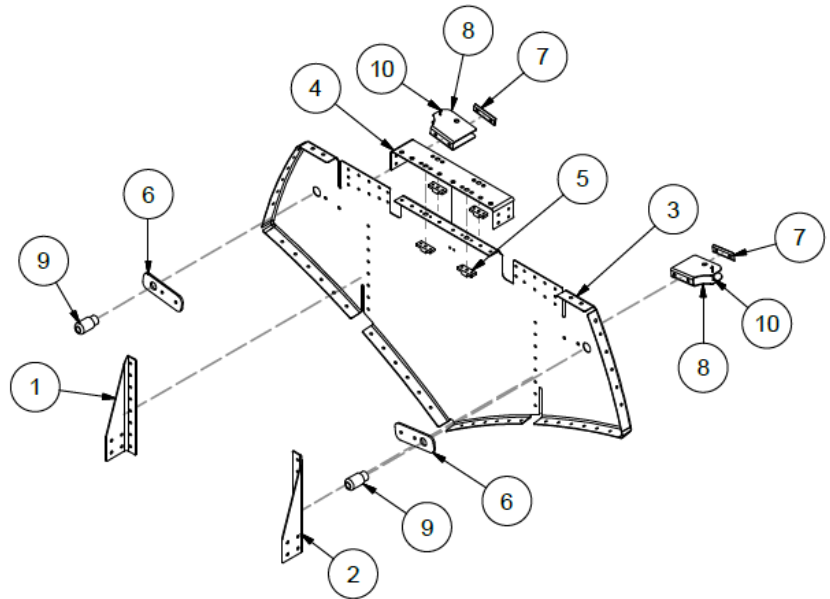
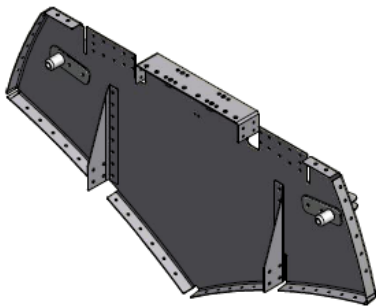
## ASS'Y., BULKHEAD 18



FWD SIDE



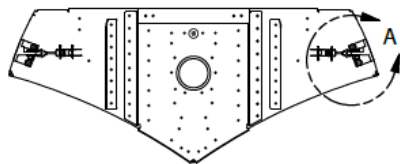
AFT SIDE



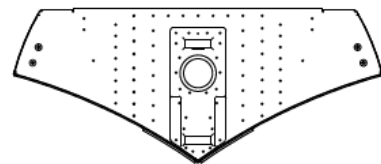
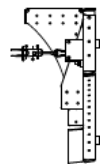
### PARTS LIST ASS'Y., BULKHEAD 18

ITEM	QTY	PART NUMBER	DESCRIPTION
	1	1006072	ASS'Y., BULKHEAD #18
1	1	1003217	CLEAT, RT, SISTER KEEL, AFT
2	1	1003218	CLEAT, LT, SISTER KEEL, AFT
3	1	1006092	PANEL, BH18
4	1	1006190	SUPPORT, TOPDECK COVER, WIDE
5	4	1006420-01	NUTPLATE, NYLON, 8-32
6	2	1008469	DOUBLER, CABLE GUIDE
7	2	10A01156-179	REINFORCEMENT, PULLEY
8	2	3A01151-010	PULLEY BRACKET
9	2	3A08605-001	CABLE GUIDE
10	2	MS24665-134	COTTER PIN

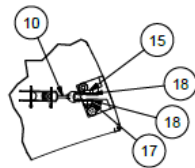
# ASS'Y., BULKHEAD 19



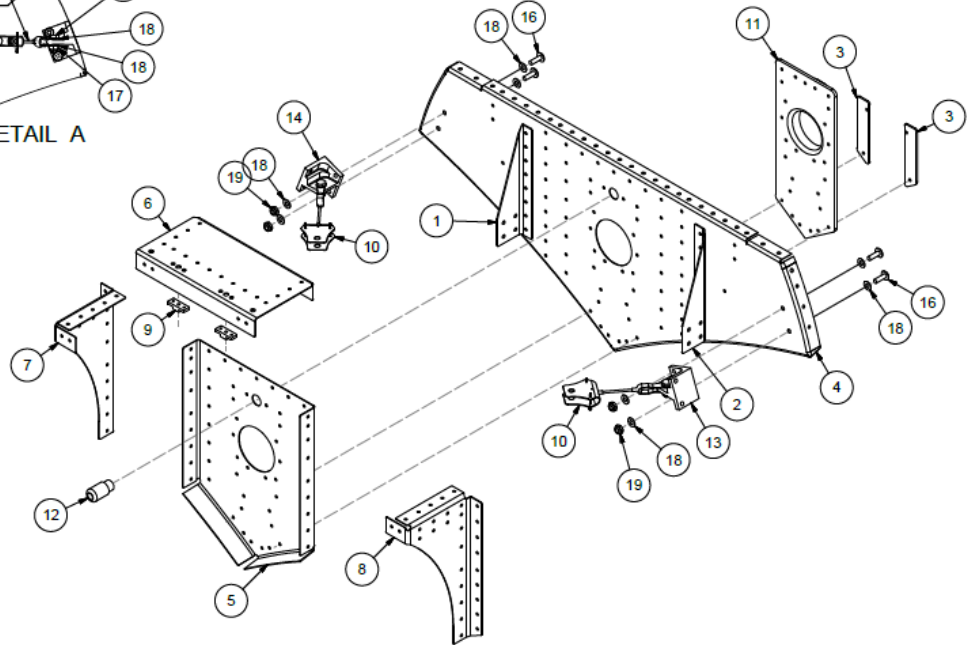
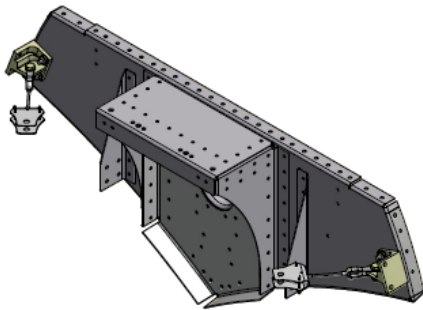
FWD SIDE



AFT SIDE



DETAIL A

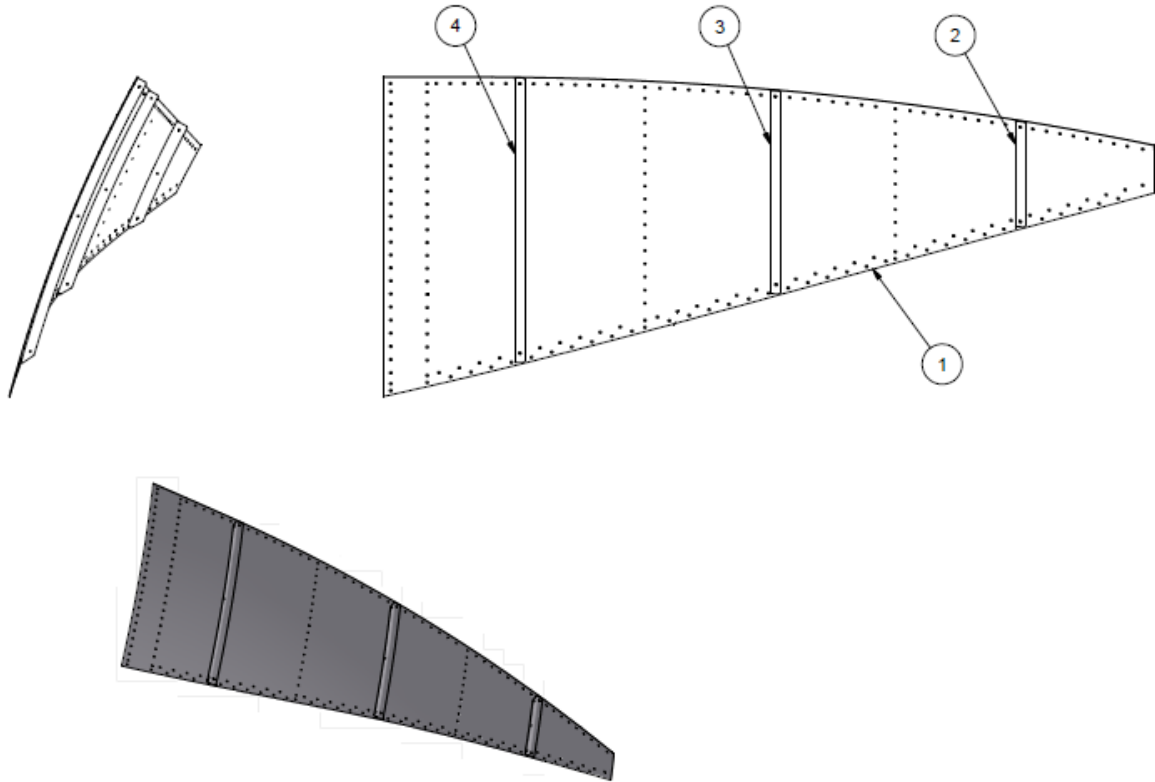


PARTS LIST ASS'Y., BULKHEAD #19			
ITEM	QTY	PART NUMBER	DESCRIPTION
	1	1006073	ASS'Y., BULKHEAD #19
1	1	1003217	CLEAT, RT, SISTER KEEL, AFT
2	1	1003218	CLEAT, LT, SISTER KEEL, AFT
3	2	1004679	PLATE, WATER RUDDER STOP
4	1	1006093	PANEL, BH19
5	1	1006191	DOUBLER, WATER RUDDER PIVOT
6	1	1006192	DOUBLER, WATER RUDDER PIVOT, TOP
7	1	1006193	GUSSET, WATER RUDER PIVOT, SIDE, LH
8	1	1006194	GUSSET, WATER RUDER PIVOT, SIDE, RH
9	2	1006420-01	NUTPLATE, NYLON, 8-32
10	2	1006935	ASSY, CABLE, PULLEY
11	1	3A01437-001	ASSEMBLY, MOUNT, PIVOT, WATER RUDDER
12	1	3A08605-001	CABLE GUIDE
13	1	8A08194-001	BRACKET, WATER RUDDER PULLEY
14	1	8A08194-002	BRACKET, WATER RUDDER PULLEY
15	2	AN3-5A	BOLT, 10-32, 0.25 GRIP, UNDRILLED, STEEL
16	4	AN526C1032R10	SCREW, MACHINE, TRUSS HEAD
17	2	MS21045-3	NUT, SELF LOCKING
18	12	NAS1149D0316J	WASHER, 0.203 ID, 0.016 THK, ALUMINUM
19	4	NAS679-A3W	KAYNAR NUT

THIS PAGE INTENTIONALLY LEFT BLANK

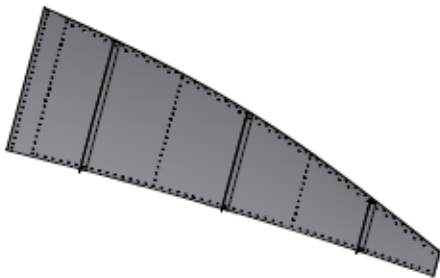
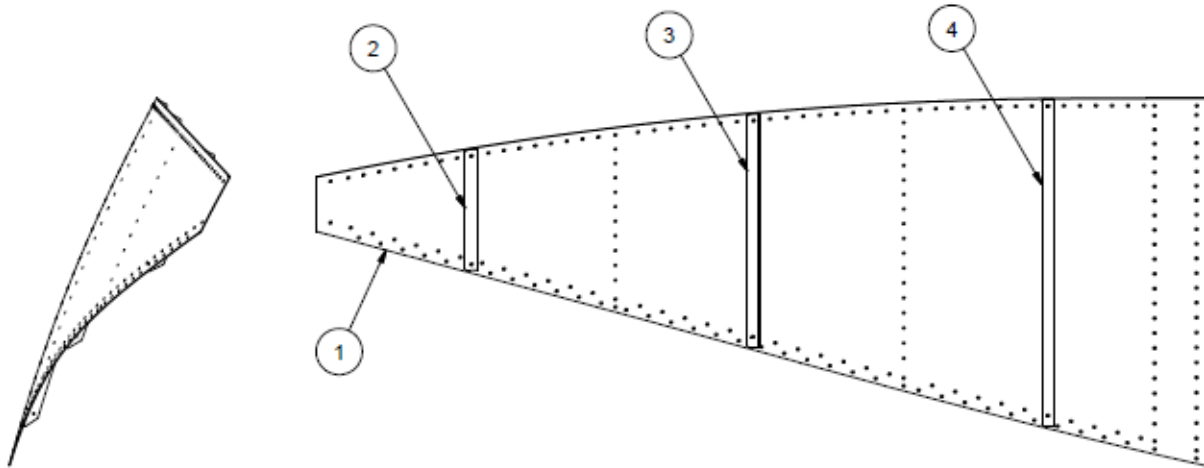
## **SECTION 6: SKINS**

## ASS'Y., SKIN, FWD, OBRD, LEFT FLOAT



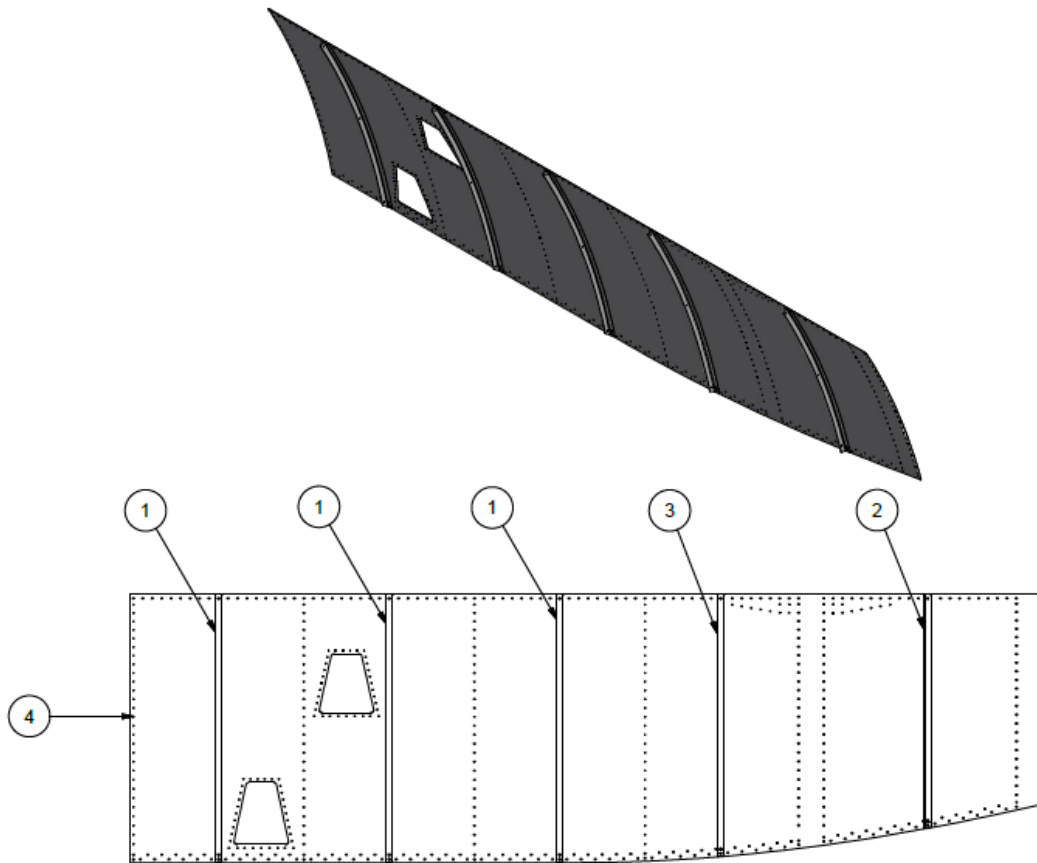
PARTS LIST			
ASS'Y., SKIN, FWD, OBRD, LEFT FLOAT			
ITEM	QTY	PART NUMBER	DESCRIPTION
	1	1003785	ASS'Y., SKIN, FWD, OBRD, LEFT FLOAT
1	1	1003189	SKIN, SIDE, FWD, OBRD, LT FLT, 7000
2	1	1003796	STIFFENER, FWD, FWD SIDE SKIN, LH FLT
3	1	1003798	STIFFENER, MID, FWD SIDE SKIN, LH FLT
4	1	1003800	STIFFENER, AFT, FWD SIDE SKIN, LH FLT

## ASS'Y., SKIN, FWD, OBRD, RIGHT FLOAT



PARTS LIST			
ASS'Y., SKIN, FWD, OBRD, RIGHT FLOAT			
ITEM	QTY	PART NUMBER	DESCRIPTION
	1	1003787	ASS'Y., SKIN, FWD, OBRD, RIGHT FLOAT
1	1	1003190	SKIN, SIDE, FWD, OBRD, RT FLT, 7000
2	1	1003797	STIFFENER, FWD, FWD SIDE SKIN, RT FLT
3	1	1003799	STIFFENER, MID, FWD SIDE SKIN, RT FLT
4	1	1003801	STIFFENER, AFT, FWD SIDE SKIN

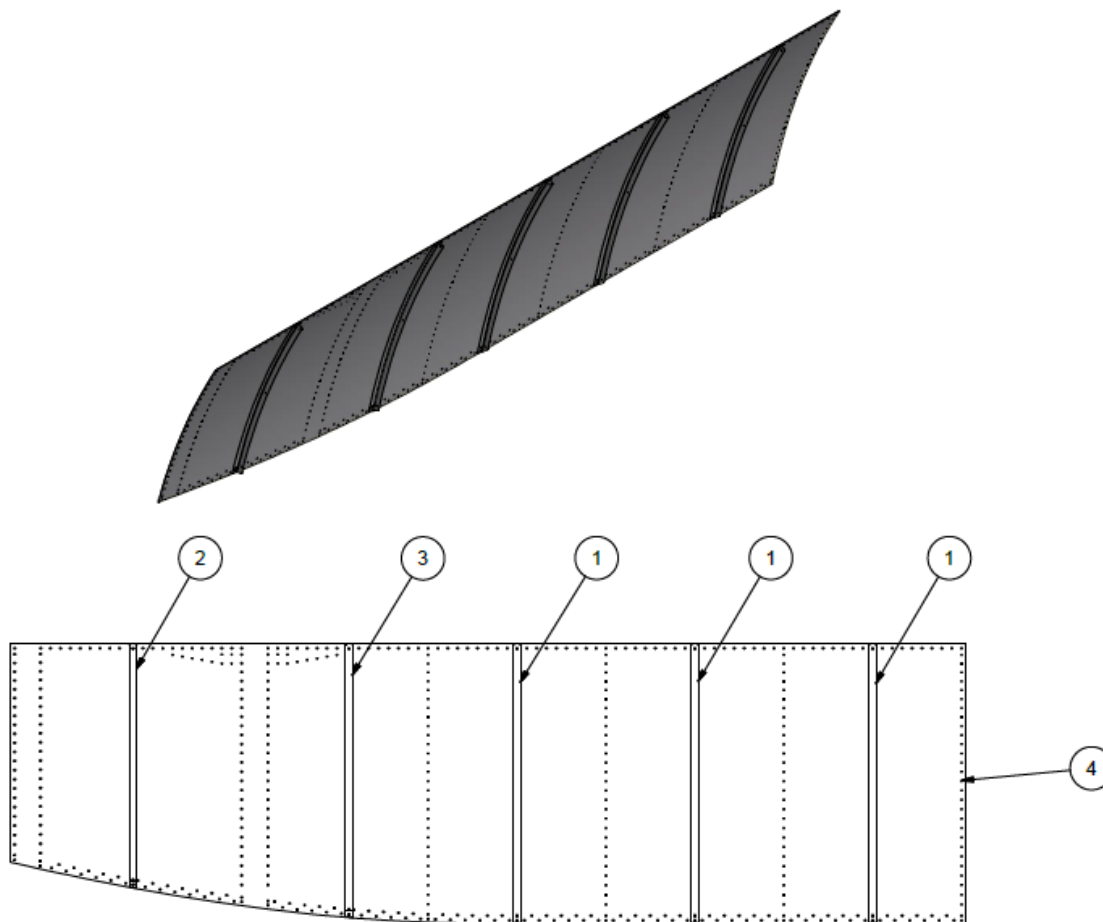
## ASS'Y., SKIN, SIDE, OUTBOARD, BH04-BH09 LEFT FLOAT



PARTS LIST			
ASS'Y., SKIN, SIDE, OUTBOARD, BH04-BH09, LEFT FLOAT			
ITEM	QTY	PART NUMBER	DESCRIPTION
	1	1006373	ASS'Y., SKIN, SIDE, OUTBOARD, BH04-BH09, LEFT FLOAT
1	3	1003577	STIFFENER, SIDE SKIN, LH
2	1	1006140	STIFFENER, SIDE SKIN, LH
3	1	1006142	STIFFENER, SIDE SKIN, LH
4	1	1006355	SKIN, SIDE, OUTBOARD, BH04-BH09

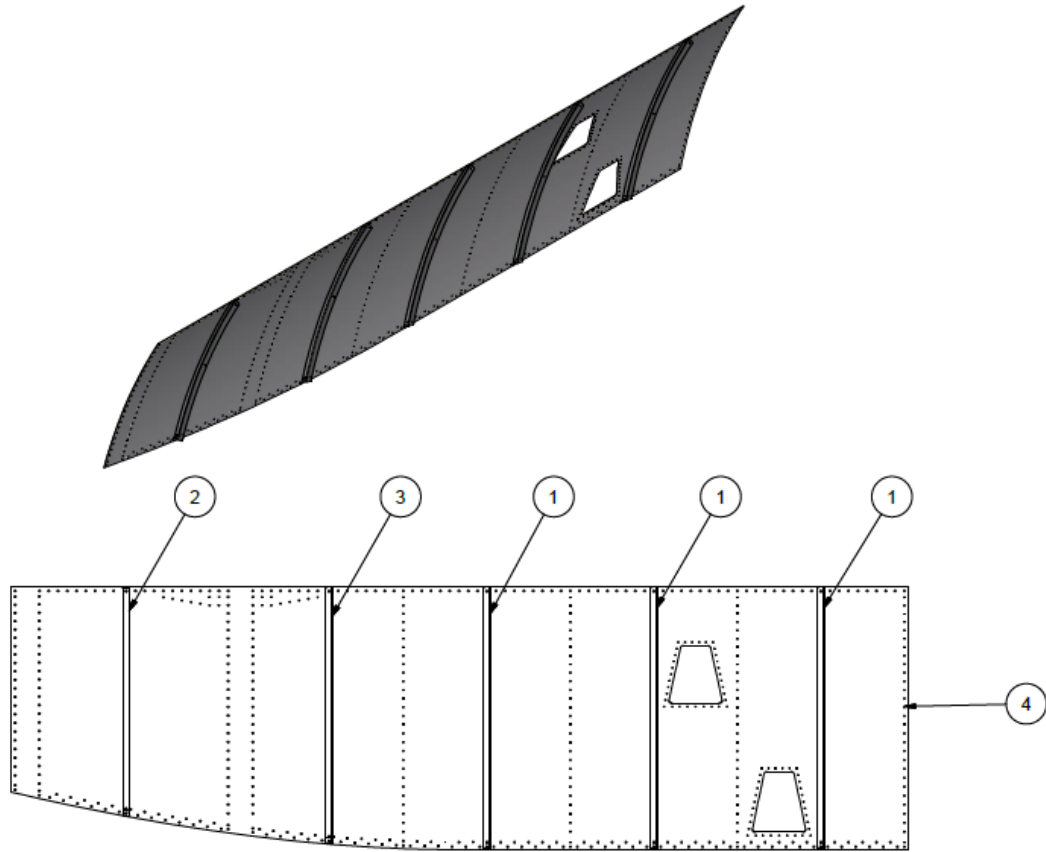


## ASS'Y., SKIN, SIDE, INBOARD, BH04-BH09 LEFT FLOAT



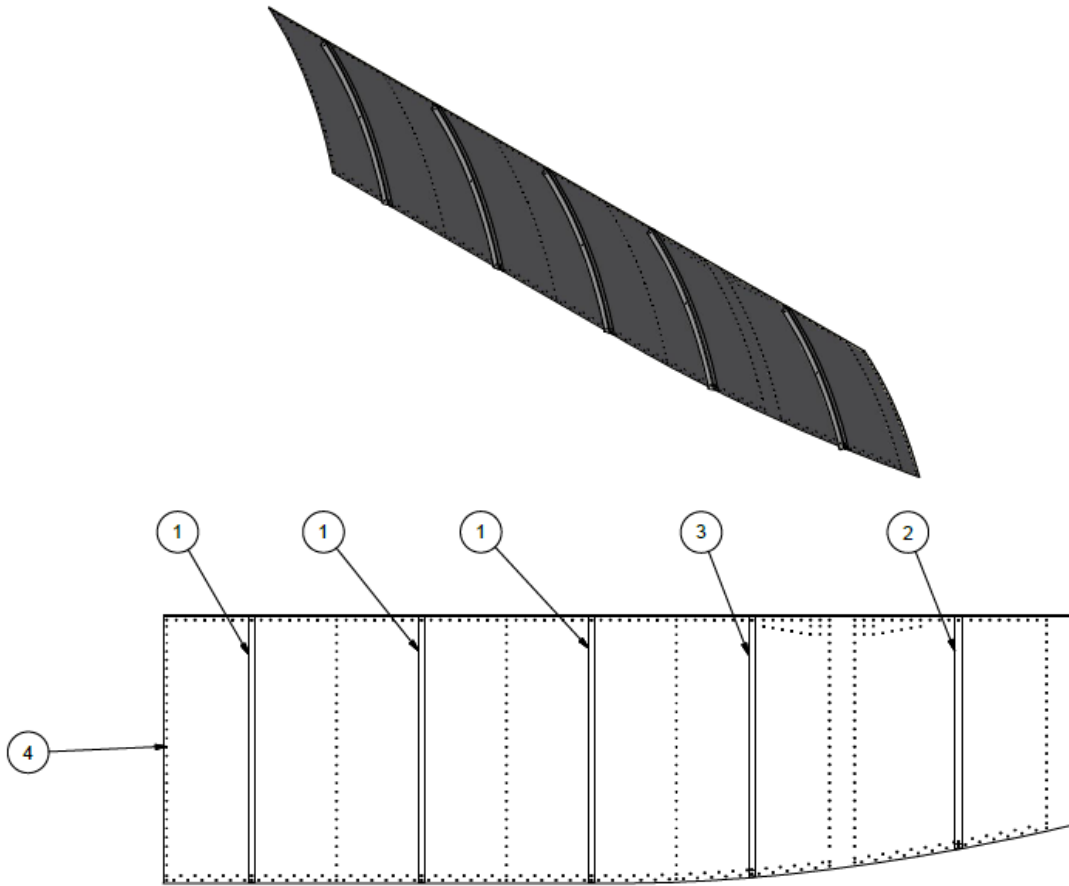
PARTS LIST			
ASS'Y., SKIN, SIDE, INBOARD, BH04-BH09, LEFT FLOAT			
ITEM	QTY	PART NUMBER	DESCRIPTION
	1	1006374	ASS'Y., SKIN, SIDE, INBOARD, BH04-BH09, LEFT FLOAT
1	3	1003578	STIFFENER, SIDE SKIN, RH
2	1	1006141	STIFFENER, SIDE SKIN, RH
3	1	1006143	STIFFENER, SIDE SKIN, RH
4	1	1006356	SKIN, SIDE, INBOARD, BH04-BH09

## ASS'Y., SKIN, SIDE, OUTBOARD, BH04-BH09 RIGHT FLOAT



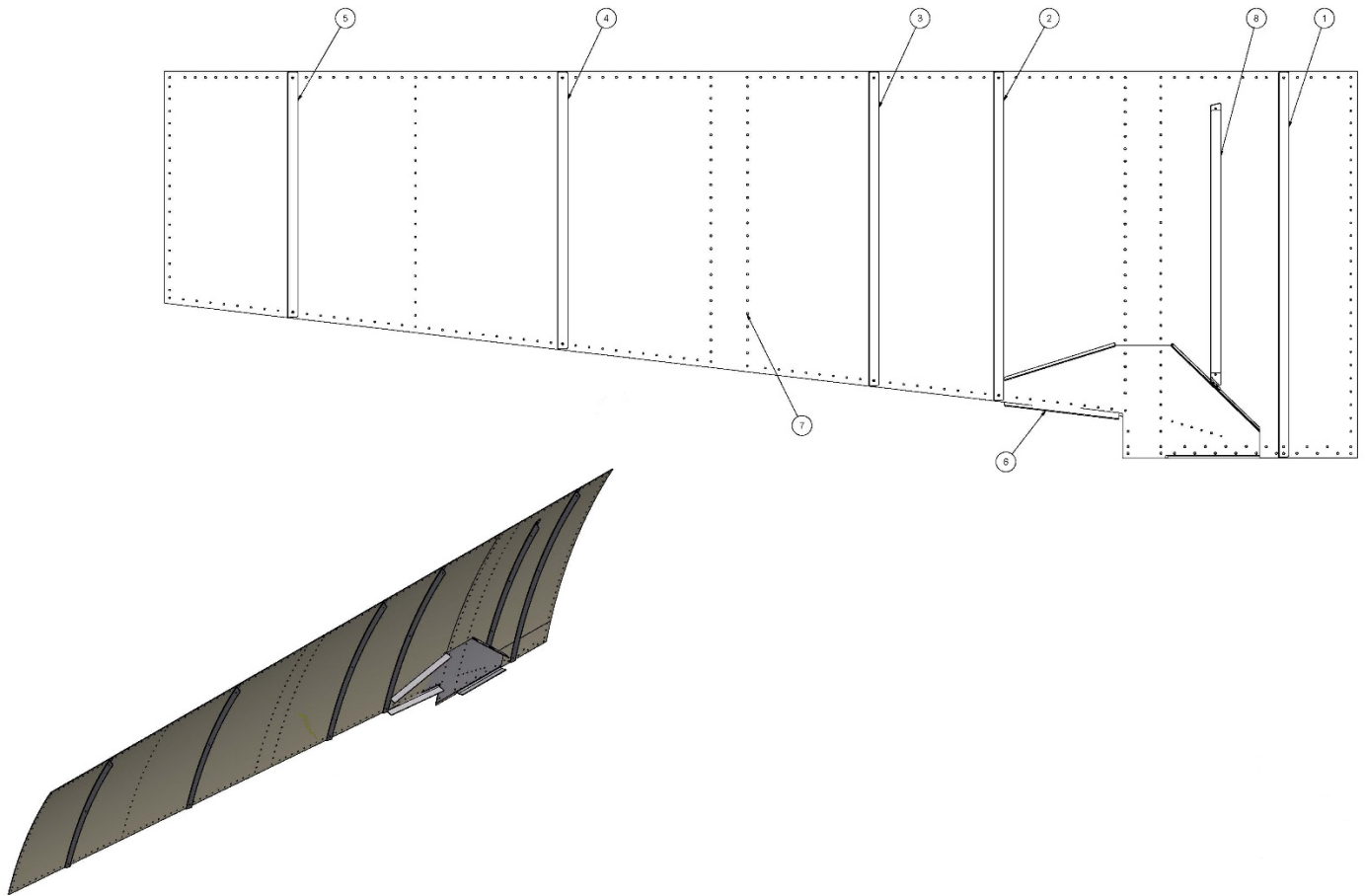
PARTS LIST			
ASS'Y., SKIN, SIDE, OUTBOARD, BH04-BH09, RIGHT FLOAT			
ITEM	QTY	PART NUMBER	DESCRIPTION
	1	1006376	ASS'Y., SKIN, SIDE, OUTBOARD, BH04-BH09, RIGHT FLOAT
1	3	1003577	STIFFENER, SIDE SKIN, LH
2	1	1006140	STIFFENER, SIDE SKIN, LH
3	1	1006142	STIFFENER, SIDE SKIN, LH
4	1	1006355	SKIN, SIDE, OUTBOARD, BH04-BH09

## ASS'Y., SKIN, SIDE, INBOARD, BH04-BH09 RIGHT FLOAT



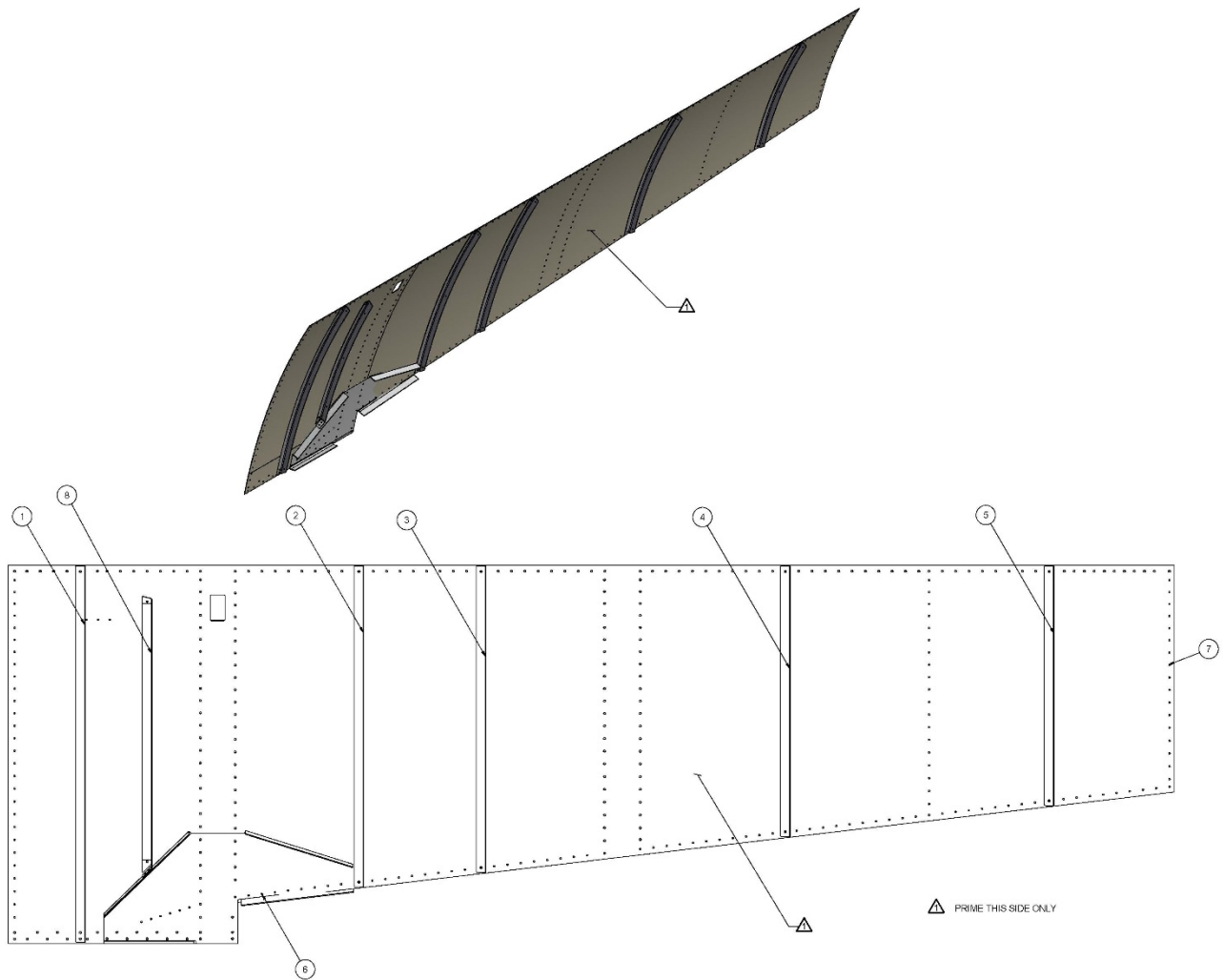
PARTS LIST			
ASS'Y., SKIN, SIDE, INBOARD, BH04-BH09, RIGHT FLOAT			
ITEM	QTY	PART NUMBER	DESCRIPTION
	1	1006375	ASS'Y., SKIN, SIDE, INBOARD, BH04-BH09, RIGHT FLOAT
1	3	1003577	STIFFENER, SIDE SKIN, LH
2	1	1006140	STIFFENER, SIDE SKIN, LH
3	1	1006142	STIFFENER, SIDE SKIN, LH
4	1	1006356	SKIN, SIDE, INBOARD, BH04-BH09

## ASS'Y., SKIN, SIDE, OUTBOARD, BH09-BH13 LEFT FLOAT



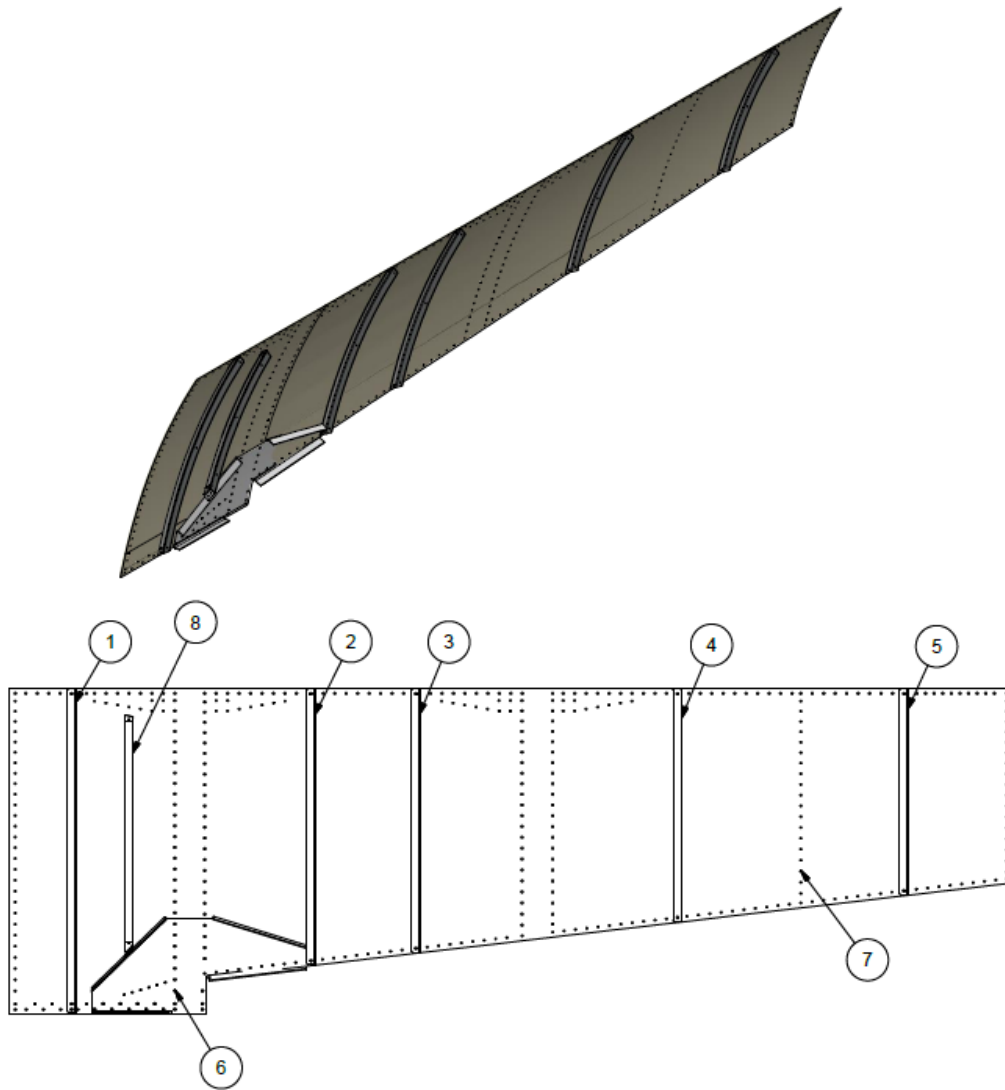
PARTS LIST			
ASS'Y., SKIN, SIDE, OUTBOARD, BH09-BH13, LEFT FLOAT			
ITEM	QTY	PART NUMBER	DESCRIPTION
	1	1006456	ASS'Y., SKIN, SIDE, OUTBOARD, BH04-BH09, LEFT FLOAT
1	1	1003577	STIFFENER, SIDE SKIN, LH
2	1	1006144	STIFFENER, SIDE SKIN, LH
3	1	1006146	STIFFENER, SIDE SKIN, LH
4	1	1006148	STIFFENER, SIDE SKIN, LH
5	1	1006150	STIFFENER, SIDE SKIN, LH
6	1	1006215	DOULBER, SIDESKIN, BH10, LH
7	1	1006454	SKIN, SIDE, OUTBOARD, BH09-BH13
8	1	1006460	STIFFENER, SIDE SKIN, LH

## ASS'Y., SKIN, SIDE, INBOARD, BH09-BH13 LEFT FLOAT



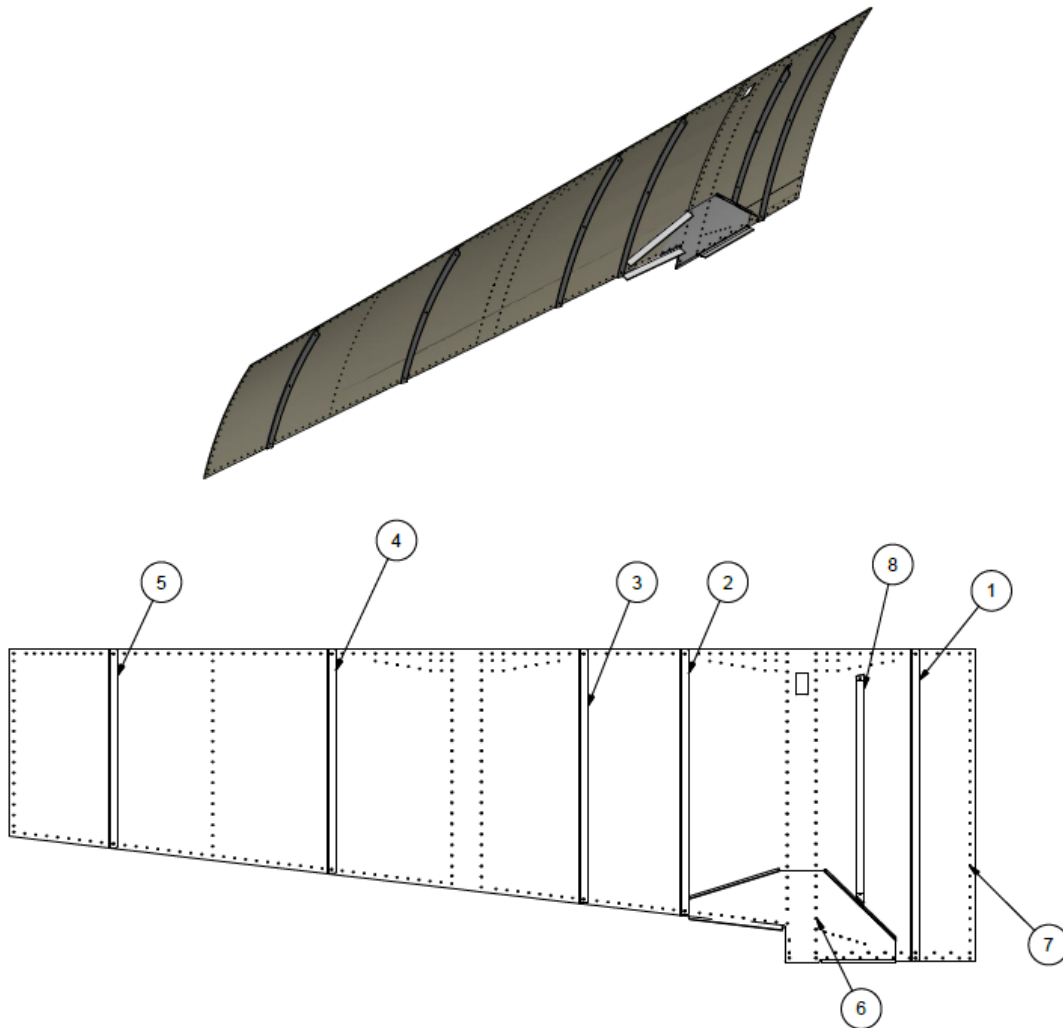
PARTS LIST			
ASS'Y., SKIN, SIDE, INBOARD, BH09-BH13, LEFT FLOAT			
ITEM	QTY	PART NUMBER	DESCRIPTION
	1	1006457	ASS'Y., SKIN, SIDE, INBOARD, BH09-BH13, LEFT FLOAT
1	1	1003578	STIFFENER, SIDE SKIN, RH
2	1	1006145	STIFFENER, SIDE SKIN, RH
3	1	1006147	STIFFENER, SIDE SKIN, RH
4	1	1006149	STIFFENER, SIDE SKIN, RH
5	1	1006151	STIFFENER, SIDE SKIN, RH
6	1	1006216	DOULBER, SIDESKIN, BH10, RH
7	1	1006455	SKIN, SIDE, RIGHT, BH09-BH13
8	1	1006461	STIFFENER, SIDE SKIN, RH

## ASS'Y., SKIN, SIDE, OUTBOARD, BH09-BH13 RIGHT FLOAT



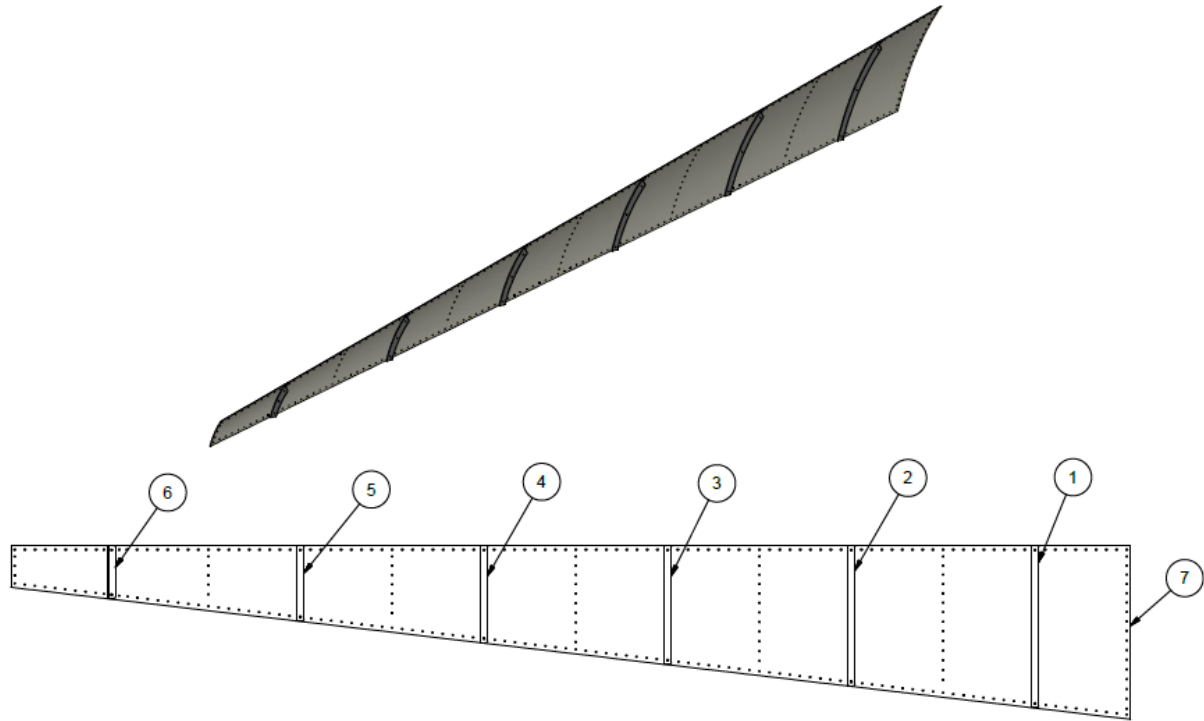
PARTS LIST			
ASS'Y., SKIN, SIDE, OUTBOARD, BH09-BH13, RIGHT FLOAT			
ITEM	QTY	PART NUMBER	DESCRIPTION
	1	1006459	ASS'Y., SKIN, SIDE, OUTBOARD, BH09-BH13, RIGHT FLOAT
1	1	1003578	STIFFENER, SIDE SKIN, RH
2	1	1006145	STIFFENER, SIDE SKIN, RH
3	1	1006147	STIFFENER, SIDE SKIN, RH
4	1	1006149	STIFFENER, SIDE SKIN, RH
5	1	1006151	STIFFENER, SIDE SKIN, RH
6	1	1006216	DOULBER, SIDESKIN, BH10, RH
7	1	1006454	SKIN, SIDE, OUTBOARD, BH09-BH13
8	1	1006461	STIFFENER, SIDE SKIN, RH

**ASS'Y., SKIN, SIDE, INBOARD, BH09-BH13 RIGHT FLOAT**



PARTS LIST			
ASS'Y., SKIN, SIDE, INBOARD, BH09-BH13, RIGHT FLOAT			
ITEM	QTY	PART NUMBER	DESCRIPTION
	1	1006458	ASS'Y., SKIN, SIDE, INBOARD, BH09-BH13, RIGHTFLOAT
1	1	1003577	STIFFENER, SIDE SKIN, LH
2	1	1006144	STIFFENER, SIDE SKIN, LH
3	1	1006146	STIFFENER, SIDE SKIN, LH
4	1	1006148	STIFFENER, SIDE SKIN, LH
5	1	1006150	STIFFENER, SIDE SKIN, LH
6	1	1006215	DOULBER, SIDESKIN, BH10, LH
7	1	1006455	SKIN, SIDE, RIGHT, BH09-BH13
8	1	1006460	STIFFENER, SIDE SKIN, LH

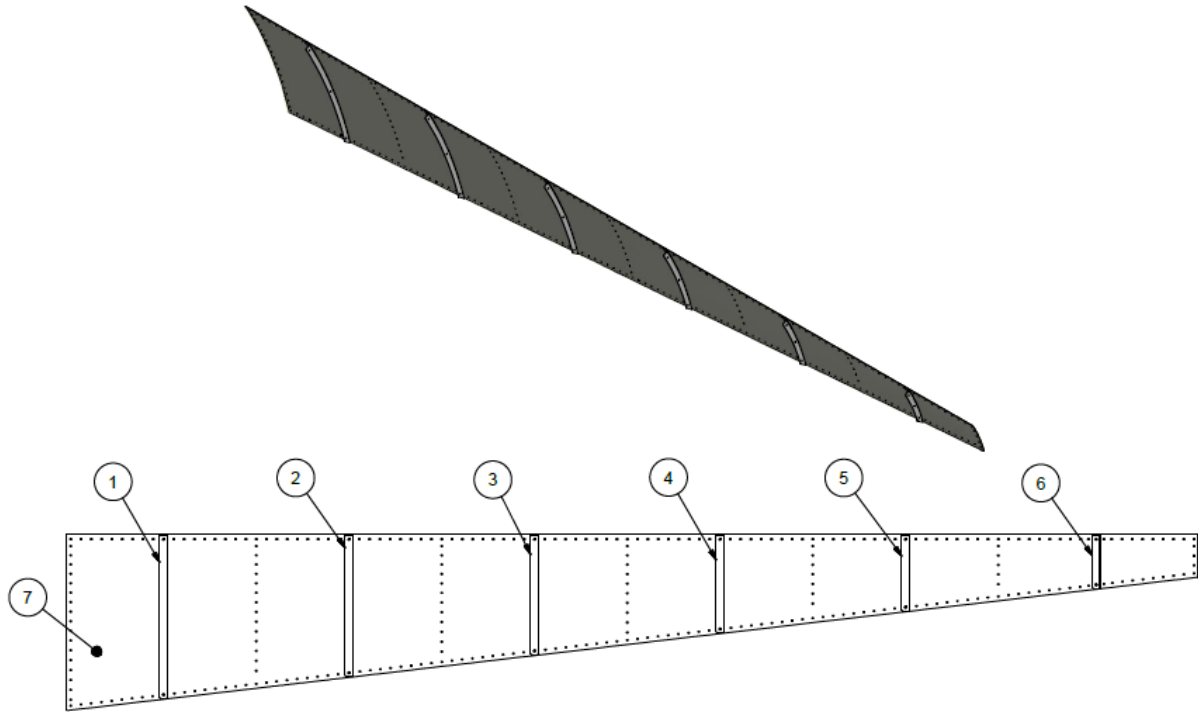
## ASS'Y., SKIN, SIDE, LEFT BH13-BH19



PARTS LIST ASS'Y., SKIN, SIDE, LEFT, BH13-BH19			
ITEM	QTY	PART NUMBER	DESCRIPTION
	1	1006379	ASS'Y., SKIN, SIDE, LEFT, BH13-BH19
1	1	1006152	STIFFENER, SIDE SKIN, LH
2	1	1006154	STIFFENER, SIDE SKIN, LH
3	1	1006156	STIFFENER, SIDE SKIN, LH
4	1	1006158	STIFFENER, SIDE SKIN, LH
5	1	1006160	STIFFENER, SIDE SKIN, LH
6	1	1006162	STIFFENER, SIDE SKIN, LH
7	1	1006358	SKIN, SIDE, BH13-BH19



## ASS'Y., SKIN, SIDE, RIGHT BH13-BH19

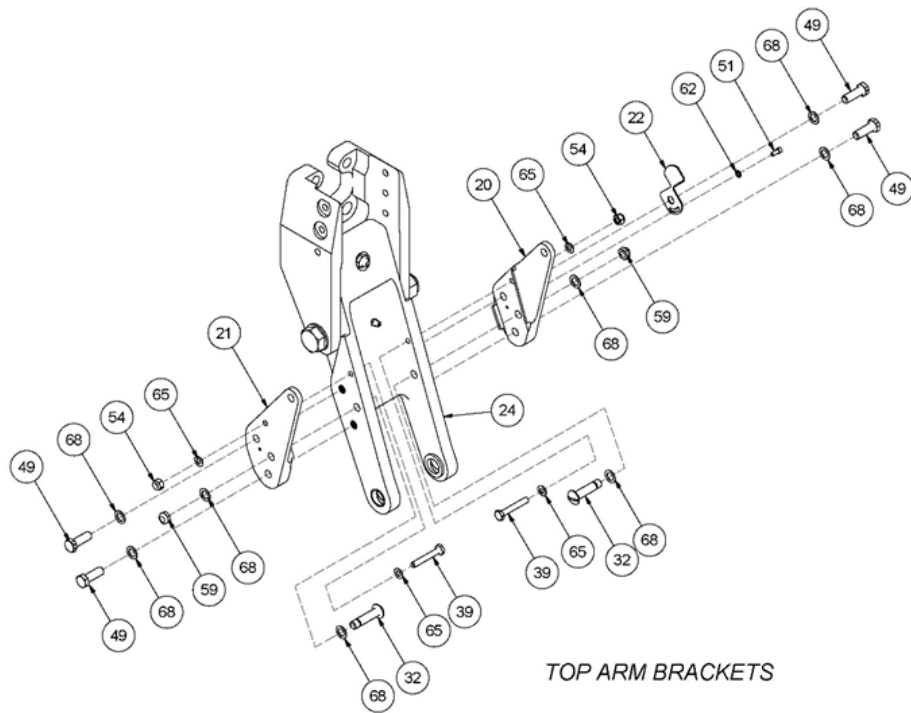
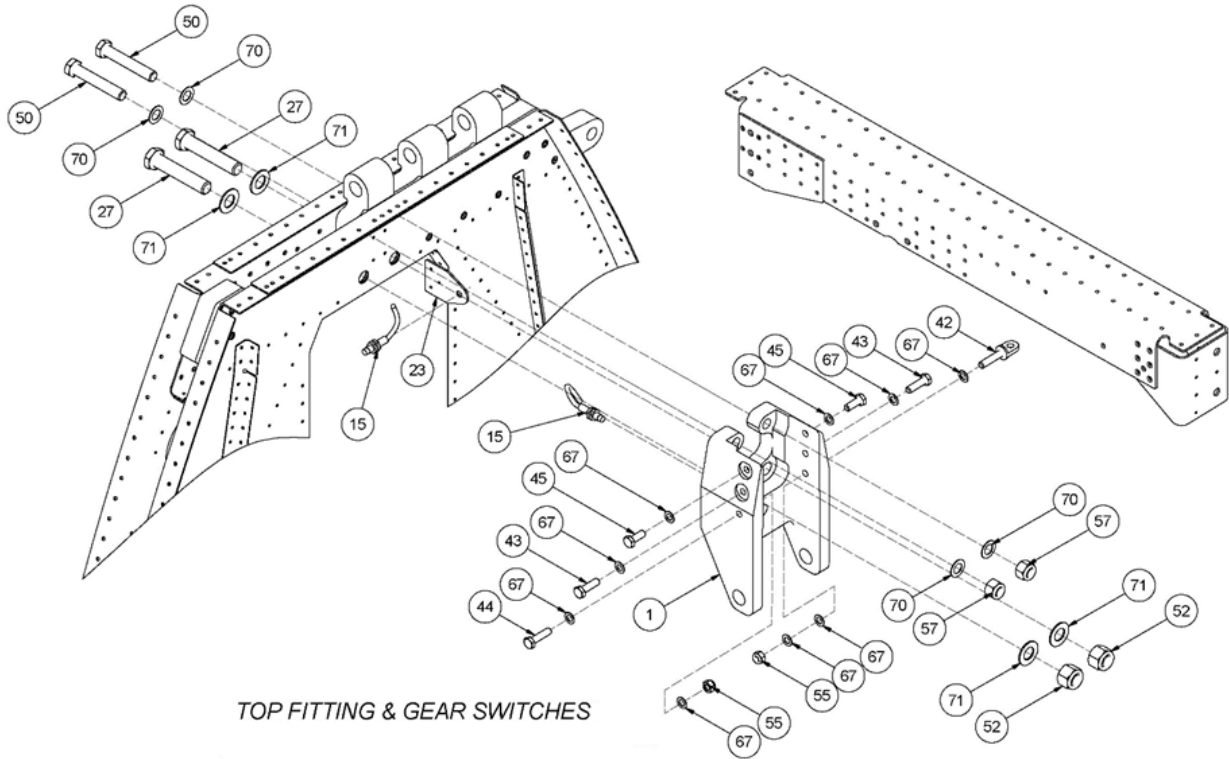


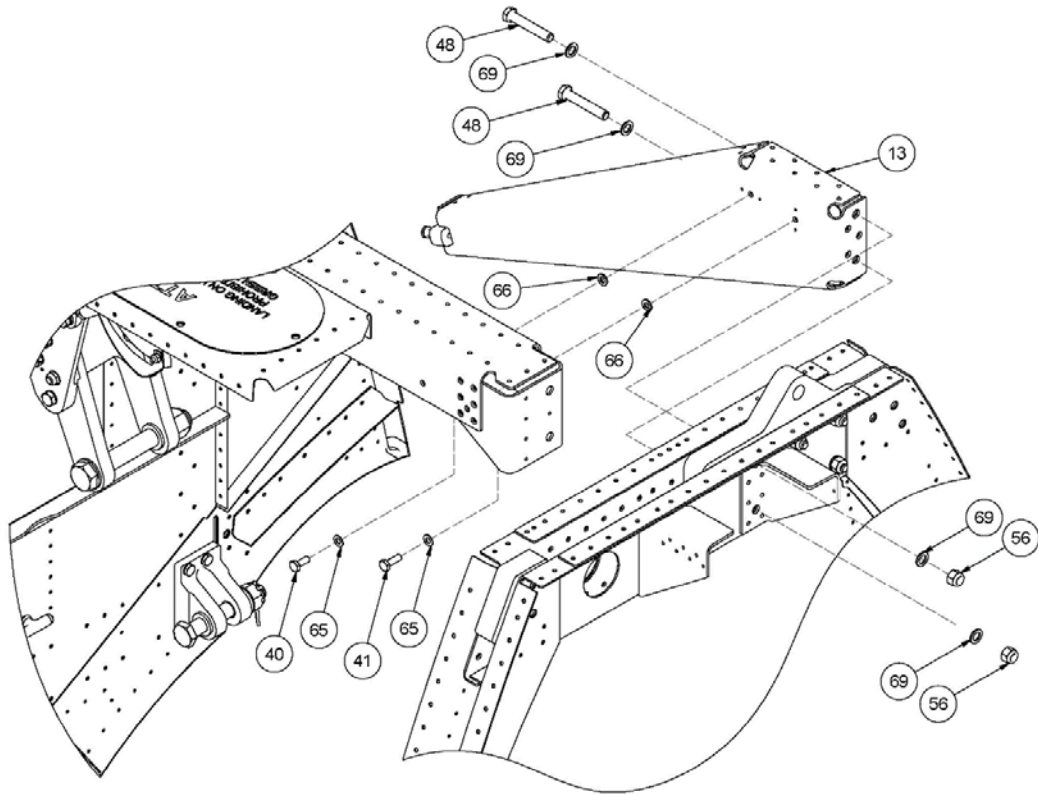
PARTS LIST ASS'Y., SKIN, SIDE, RIGHT, BH13-BH19			
ITEM	QTY	PART NUMBER	DESCRIPTION
	1	1006380	ASS'Y., SKIN, SIDE, RIGHT, BH13-BH19
1	1	1006153	STIFFENER, SIDE SKIN, RH
2	1	1006155	STIFFENER, SIDE SKIN, RH
3	1	1006157	STIFFENER, SIDE SKIN, RH
4	1	1006159	STIFFENER, SIDE SKIN, RH
5	1	1006161	STIFFENER, SIDE SKIN, RH
6	1	1006163	STIFFENER, SIDE SKIN, RH
7	1	1006358	SKIN, SIDE, BH13-BH19

THIS PAGE INTENTIONALLY LEFT BLANK

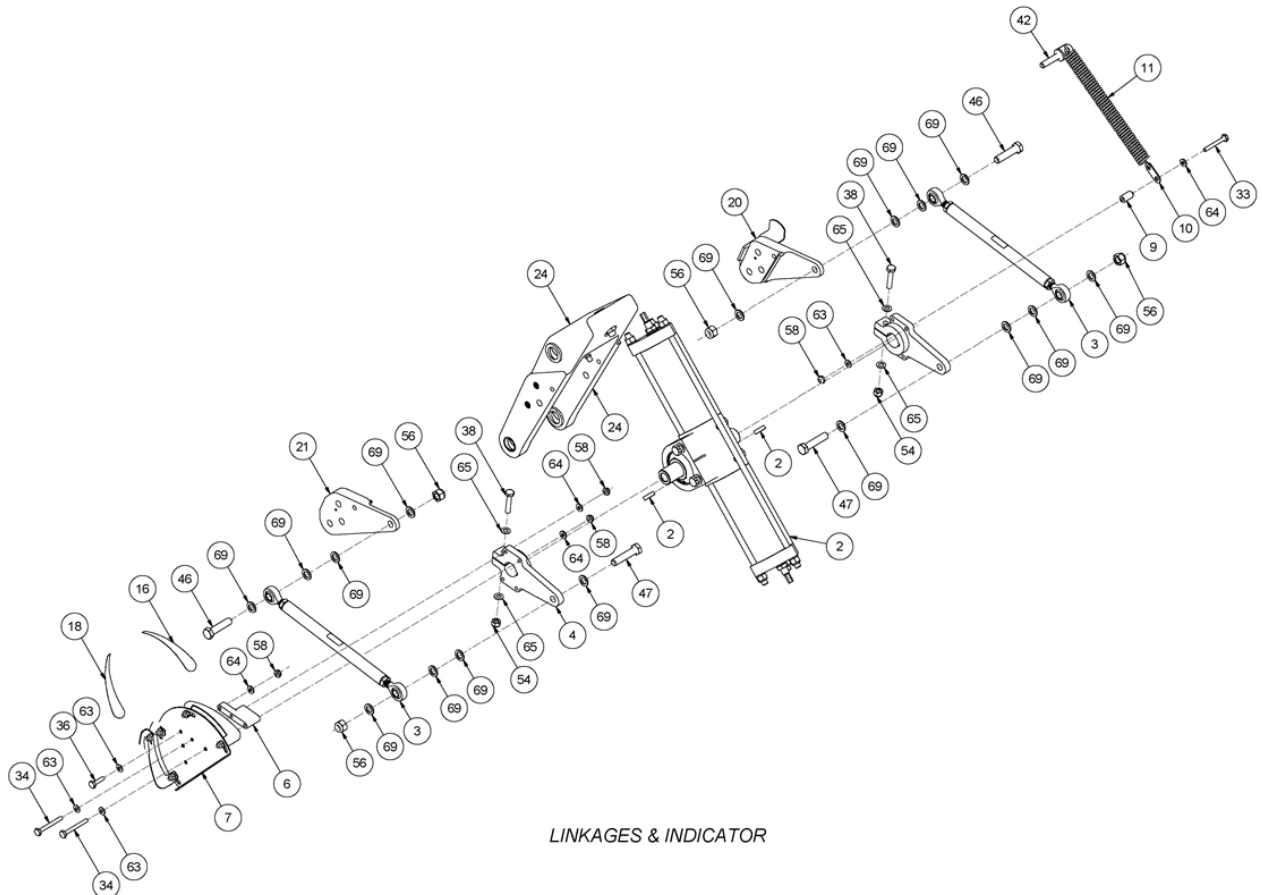
## **SECTION 7: LANDING GEAR**

### ASS'Y., MAIN LANDING GEAR L/H



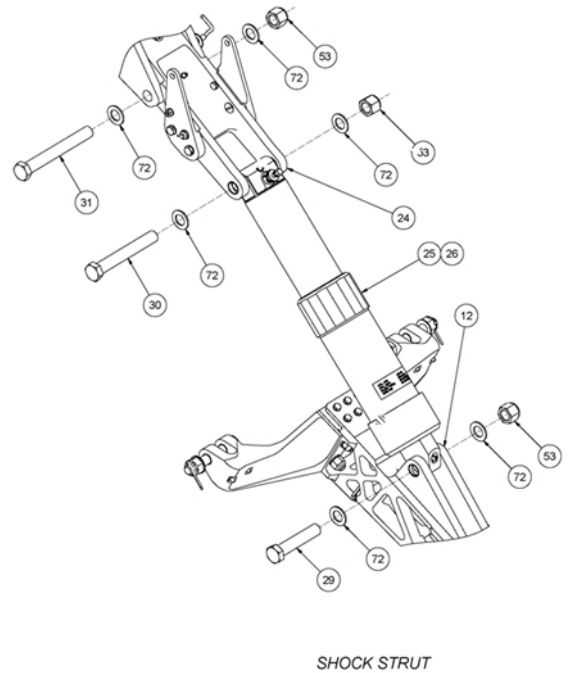
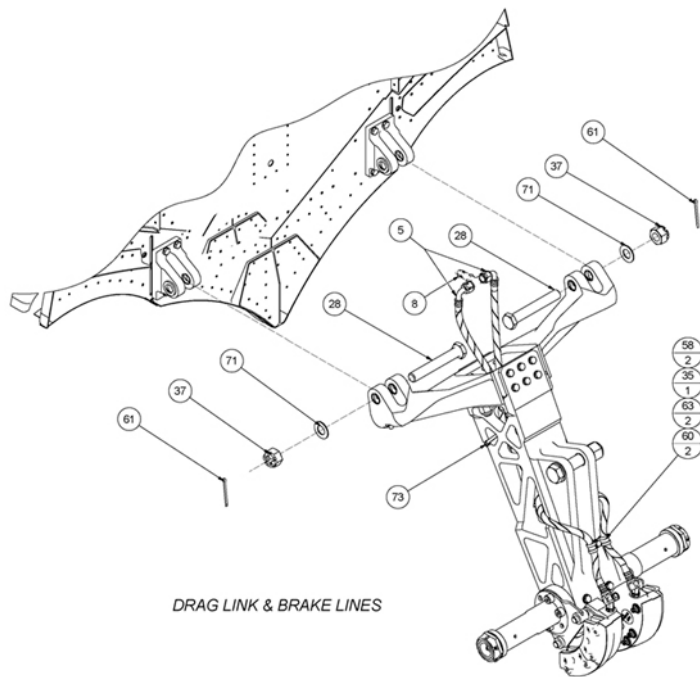


DOWN STOP



LINKAGES & INDICATOR

WIPLINE 8750 SERIES  
PARTS MANUAL

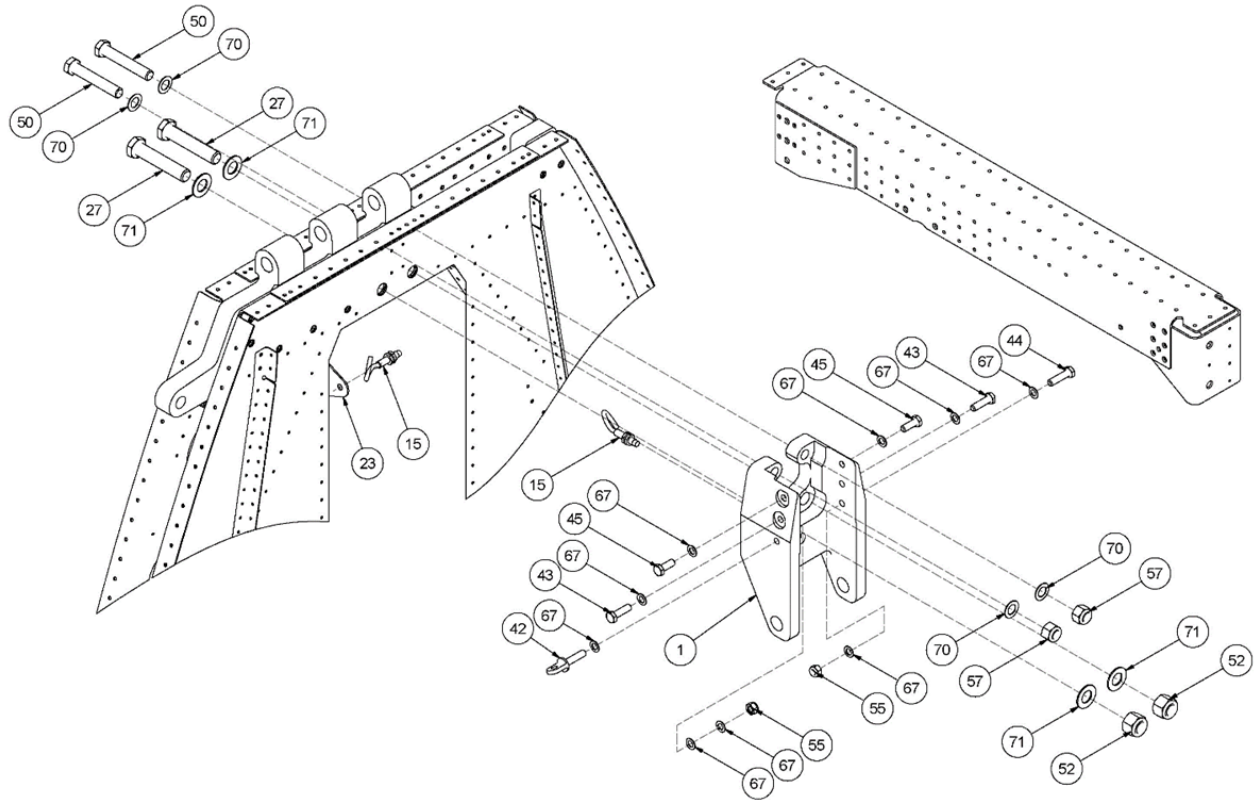


PARTS LIST  
ASS'Y, MAIN LANDING GEAR L/H

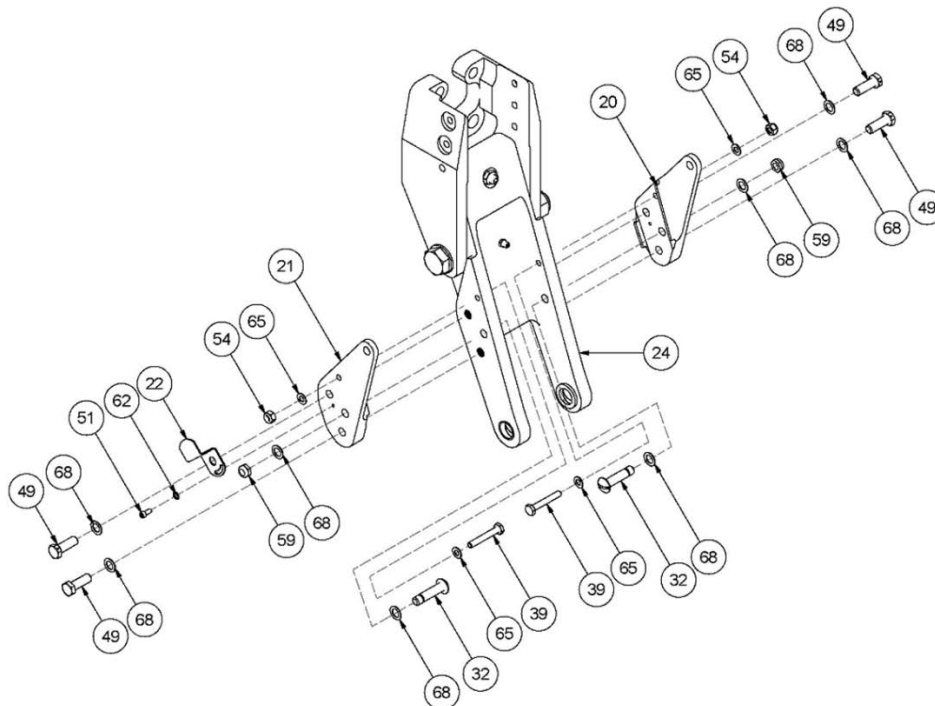
ITEM	QTY	PART NUMBER	DESCRIPTION
	1	1005869-3	ASS'Y., MAIN LANDING GEAR L/H
1	1	1002597	MOUNT, TOP, MAIN GEAR, 7000
2	1	1003510	ASSY, ROTARY ACTUATOR, MAIN GEAR
3	2	1004015	ASSY, LINKAGE ROD, MAIN GEAR
4	2	1004016	ROTATION ARM, ACTUATOR, MAIN GEAR
5	2	1004089-09	BRAKE LINE
6	1	1004127	SPACER, GEAR INDICATOR
7	1	1004379	ASS'Y, GEAR INDICATOR, LEFT FLOAT
8	1	AN834-4D	BULKHEAD HYDRAULIC TEE FITTING
9	1	1004384	SPACER, MAIN GEAR SPRING
10	1	1004385	LINK, MAIN GEAR SPRING
11	1	1004389	SPRING, MAIN GEAR
12	1	1004396	MAIN GEAR ASSEMBLY, WITH WHEELS
13	1	1004457	ASS'Y, DOWN STOP, LH, MAIN GEAR
15	2	1004475	PROXIMITY SWITCH, KODIAK
16	1	1004578	PLACARD, DOWN GEAR INDICATOR, LH
18	1	1004580	PLACARD, UP GEAR INDICATOR, LH
20	1	1004927	BRACKET, ARM, TOP, MAIN GEAR, LEFT
21	1	1004928	BRACKET, ARM, TOP, MAIN GEAR, RIGHT
22	1	1004929	FLAG, PROXIMITY SENSOR, LEFT
23	1	1006345	MOUNT, PROXIMITY SENSOR
24	1	1006860	ASSEMBLY, TOP ARM, MAIN GEAR
25	1	1006863	ASSEMBLY, OLEO, SHOCK STRUT, 21.27 IN, 8750
27	2	AN10-30A	BOLT, 5/8-18, 2.1875 GRIP, UNDRILLED, STEEL
28	2	AN10-40A	BOLT, 5/8-18, 3.1875 GRIP, UNDRILLED, STEEL
29	1	AN12-35A	BOLT, 3/4-16, 2.6875 GRIP, UNDRILLED, STEEL
30	1	AN12-53A	BOLT, 3/4-16, 4.4375 GRIP, UNDRILLED, STEEL
31	1	AN12-60A	BOLT, 3/4-16, 5.0625 GRIP, UNDRILLED, STEEL

PARTS LIST			
ASS'Y., MAIN LANDING GEAR L/H			
32	2	AN26-25A	BOLT, CLEVIS
33	1	AN3-14A	BOLT, 10-32, 1.125 GRIP, UNDRILLED, STEEL
34	2	AN3-16A	BOLT, 10-32, 1.375 GRIP, UNDRILLED, STEEL
35	1	AN3-3A	BOLT, 10-32, 0.0625 GRIP, UNDRILLED, STEEL
36	1	AN3-6A	BOLT, 10-32, 0.375 GRIP, UNDRILLED, STEEL
37	2	AN310-10	NUT, PLAIN, CASTELLATED, 5/8-18 UNF
38	2	AN4-12A	BOLT, 1/4-28, 0.8125 GRIP, UNDRILLED, STEEL
39	2	AN4-15A	BOLT, 1/4-28, 1.1875 GRIP, UNDRILLED, STEEL
40	1	AN4-5A	BOLT, 1/4-28, 0.1875 GRIP, UNDRILLED, STEEL
41	1	AN4-6A	BOLT, 1/4-28, 0.3125 GRIP, UNDRILLED, STEEL
42	1	AN45-12A	EYE BOLT
43	2	AN5-10A	BOLT, 5/16-24, 0.5625 GRIP, UNDRILLED, STEEL
44	1	AN5-11A	BOLT, 5/16-24, 0.6875 GRIP, UNDRILLED, STEEL
45	2	AN5-6A	BOLT, 5/16-24, 0.3125 GRIP, UNDRILLED, STEEL
46	2	AN6-14A	BOLT, 3/8-24, .938 GRIP, UNDRILLED, STEEL
47	2	AN6-15A	BOLT, 3/8-24, 1.0625 GRIP, UNDRILLED, STEEL
48	2	AN6-21A	BOLT, 3/8-24, 1.5625 GRIP, UNDRILLED, STEEL
49	4	AN6H10A	BOLT, 3/8-24, 0.4375 GRIP, DRILLED HEAD, STEEL
50	2	AN8-27A	BOLT, 1/2-20, 2.1875 GRIP, UNDRILLED, STEEL
51	1	MS16997-31	SCREW, CAP, SOCKET HEAD
52	2	MS21044N10	NUT, LOCKING, REGULAR HEIGHT, 5/8-18 UNF
53	3	MS21044N12	NUT, LOCKING, REGULAR HEIGHT, 3/4-16 UNF
54	4	MS21044N4	NUT, LOCKING, REGULAR HEIGHT, 1/4-28 UNF
55	2	MS21044N5	NUT, LOCKING, REGULAR HEIGHT, 5/16-24 UNF
56	6	MS21044N6	NUT, LOCKING, REGULAR HEIGHT, 3/8-24 UNF
57	2	MS21044N8	NUT, LOCKING, REGULAR HEIGHT, 1/2-20 UNF
58	5	MS21083N3	NUT, LOCKING, LOW HEIGHT, 10-32 UNF
59	2	MS21083N5	NUT, LOCKING, LOW HEIGHT, 5/16-24 UNF
60	2	MS21919WDG6	CLAMP, LOOP TYPE, CUSHIONED, SUPPORT
61	2	MS24665-376	COTTER PIN
62	1	MS35333-38	STAR WASHER
63	6	NAS1149F0332P	WASHER, 0.203 ID, 0.032 THK, STEEL
64	4	NAS1149F0363P	WASHER, 0.203 ID, 0.063 THK, STEEL
65	10	NAS1149F0432P	WASHER, 0.265 ID, 0.032 THK, Steel
66	2	NAS1149F0463P	WASHER, 0.265 ID, 0.063 THK, STEEL
67	9	NAS1149F0532P	WASHER, 0.328 ID, 0.032 THK, STEEL
68	8	NAS1149F0632P	WASHER, 0.39 ID, 0.032 THK, Steel
69	20	NAS1149F0663P	WASHER, 0.39 ID, 0.063 THK, STEEL
70	6	NAS1149F0832P	WASHER, 0.515 ID, 0.032 THK, Steel
71	6	NAS1149F1063P	WASHER, 0.64 ID, 0.063 THK, STEEL
72	6	NAS1149F1290P	WASHER, 0.765 ID, 0.09 THK, Steel
73	1	PLT3S-M0	CABLE TIE, 11.5"

## ASS'Y., MAIN LANDING GEAR R/H

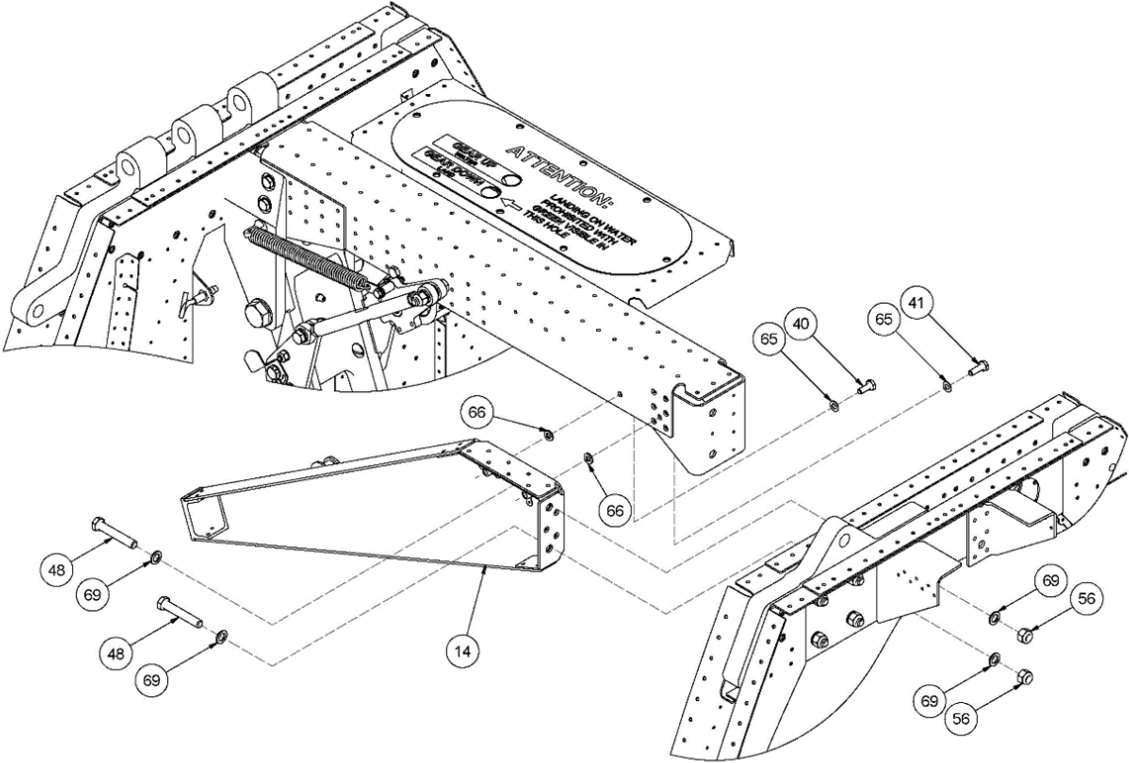


TOP FITTING & GEAR SWITCHES

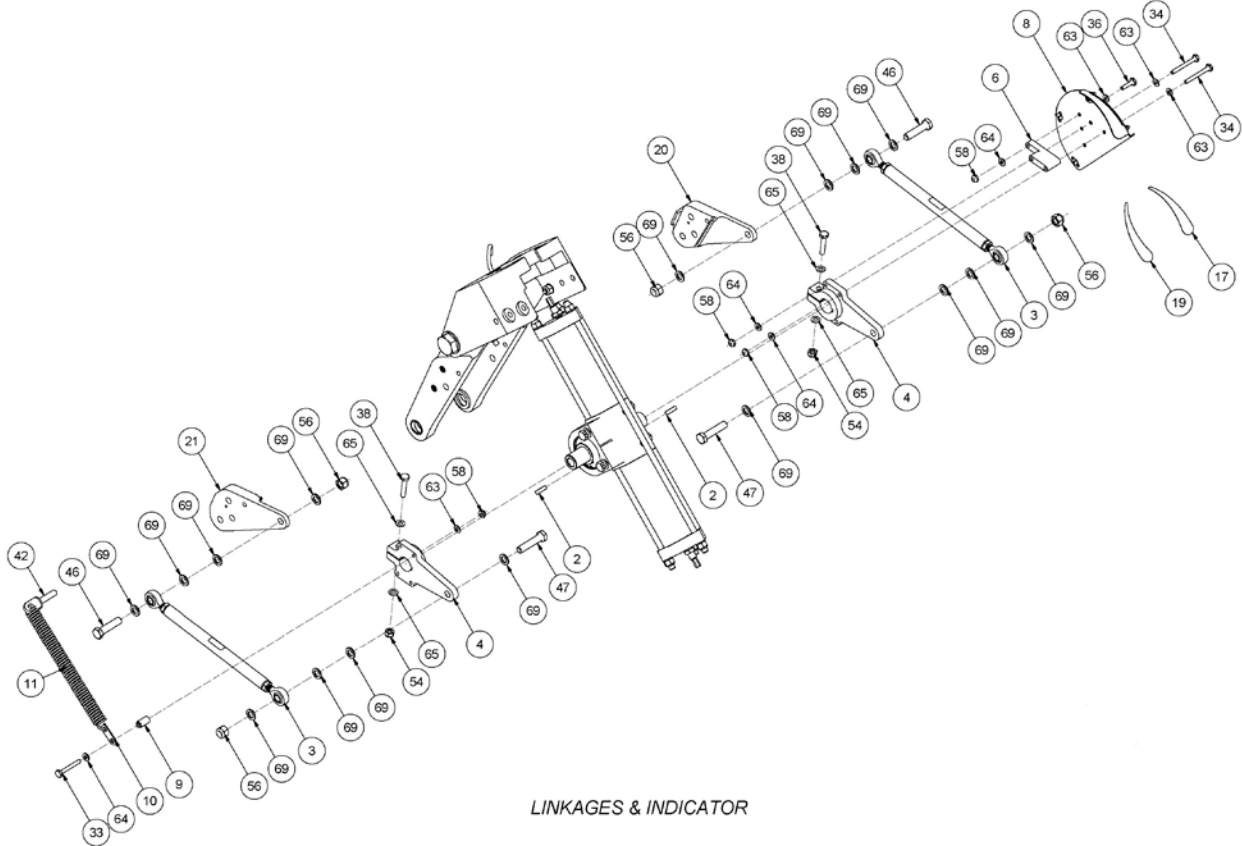


TOP ARM BRACKETS



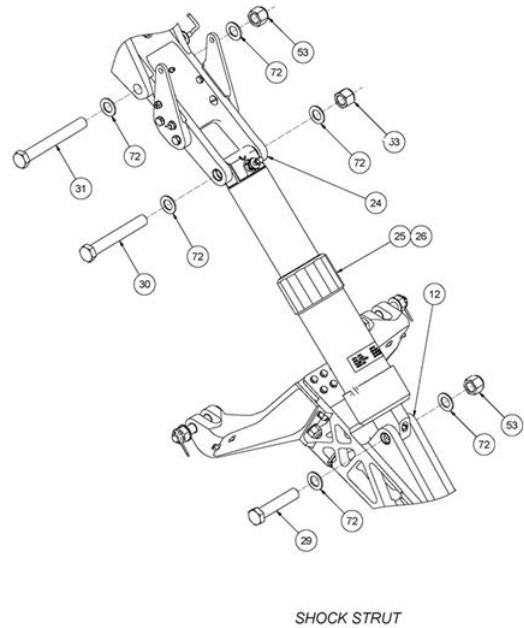
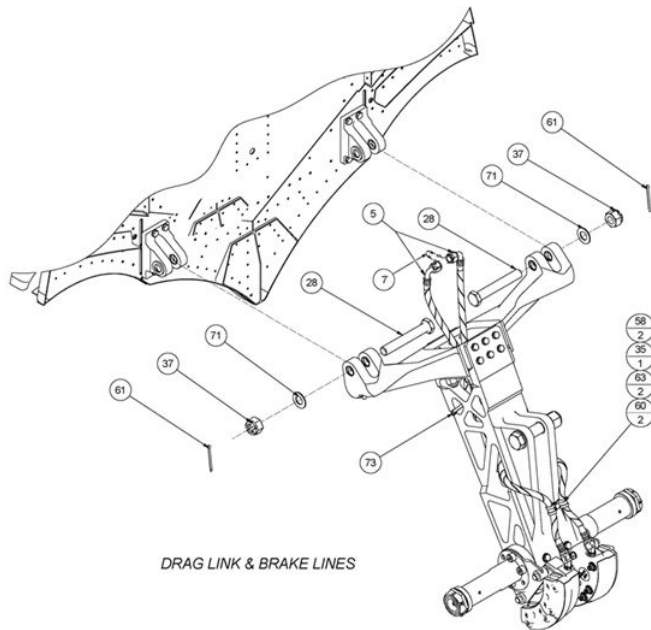


DOWN STOP



LINKAGES & INDICATOR

WIPLINE 8750 SERIES  
PARTS MANUAL

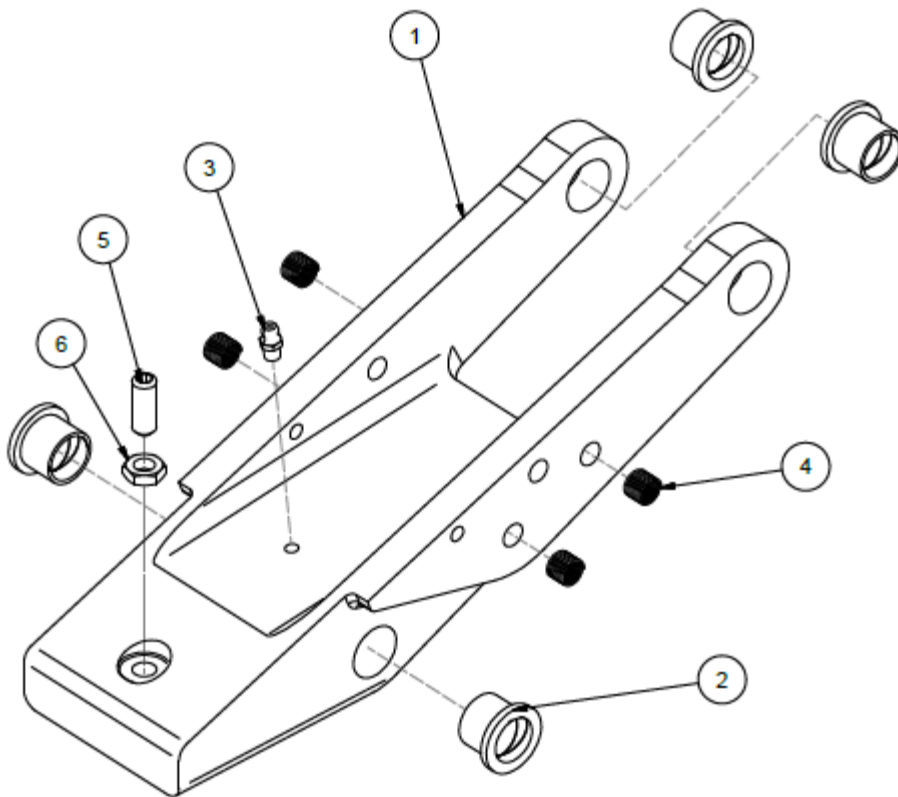


PARTS LIST  
ASS'Y, MAIN LANDING GEAR R/H

ITEM	QTY	PART NUMBER	DESCRIPTION
1	1	1002597	MOUNT, TOP, MAIN GEAR, 7000
2	1	1003510	ASSY, ROTARY ACTUATOR, MAIN GEAR
3	2	1004015	ASSY, LINKAGE ROD, MAIN GEAR
4	2	1004016	ROTATION ARM, ACTUATOR, MAIN GEAR
5	2	1004089-09	BRAKE LINE
6	1	1004127	SPACER, GEAR INDICATOR
7	1	AN834-4D	BULKHEAD HYDRAULIC TEE FITTING
8	1	1004380	ASS'Y, GEAR INDICATOR, RIGHT FLOAT
9	1	1004384	SPACER, MAIN GEAR SPRING
10	1	1004385	LINK, MAIN GEAR SPRING
11	1	1004389	SPRING, MAIN GEAR
12	1	1004396	MAIN GEAR ASSEMBLY, WITH WHEELS
14	1	1004458	ASS'Y, DOWN STOP, RH, MAIN GEAR
15	2	1004475	PROXIMITY SWITCH, KODIAK
17	1	1004579	PLACARD, DOWN GEAR INDICATOR, RH
19	1	1004581	PLACARD, UP GEAR INDICATOR, RH
20	1	1004927	BRACKET, ARM, TOP, MAIN GEAR, LEFT
21	1	1004928	BRACKET, ARM, TOP, MAIN GEAR, RIGHT
22	1	1004929	FLAG, PROXIMITY SENSOR, LEFT
23	1	1006345	MOUNT, PROXIMITY SENSOR
24	1	1006860	ASSEMBLY, TOP ARM, MAIN GEAR
25	1	1006863	ASSEMBLY, OLEO, SHOCK STRUT, 21.27 IN, 8750
27	2	AN10-30A	BOLT, 5/8-18, 2.1875 GRIP, UNDRILLED, STEEL
28	2	AN10-40A	BOLT, 5/8-18, 3.1875 GRIP, UNDRILLED, STEEL
29	1	AN12-35A	BOLT, 3/4-16, 2.6875 GRIP, UNDRILLED, STEEL
30	1	AN12-53A	BOLT, 3/4-16, 4.4375 GRIP, UNDRILLED, STEEL
31	1	AN12-60A	BOLT, 3/4-16, 5.0625 GRIP, UNDRILLED, STEEL
32	2	AN26-25A	BOLT, CLEVIS

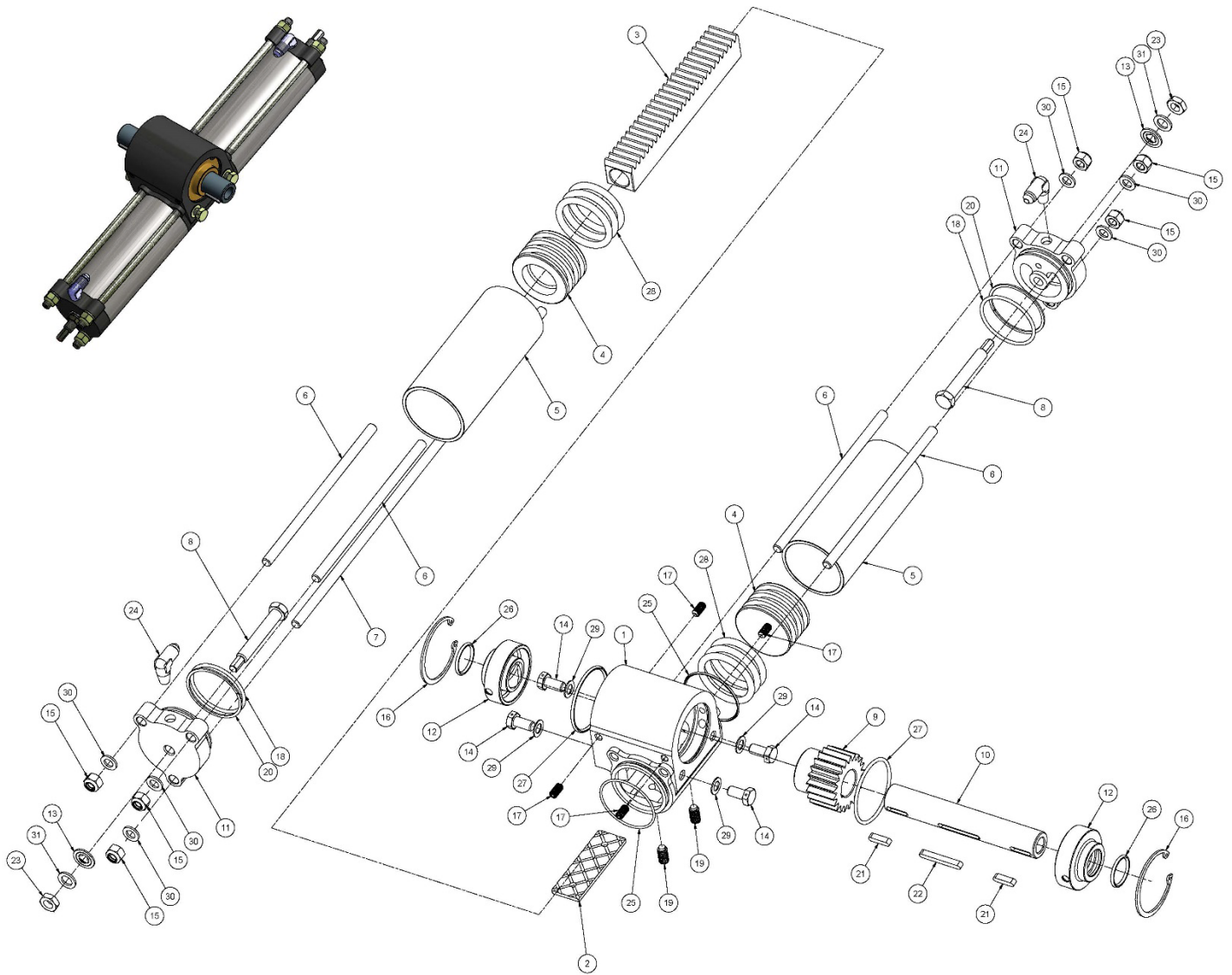
PARTS LIST ASS'Y., MAIN LANDING GEAR R/H			
33	1	AN3-14A	BOLT, 10-32, 1.125 GRIP, UNDRILLED, STEEL
34	2	AN3-16A	BOLT, 10-32, 1.375 GRIP, UNDRILLED, STEEL
35	1	AN3-3A	BOLT, 10-32, 0.0625 GRIP, UNDRILLED, STEEL
36	1	AN3-6A	BOLT, 10-32, 0.375 GRIP, UNDRILLED, STEEL
37	2	AN310-10	NUT, PLAIN, CASTELLATED, 5/8-18 UNF
38	2	AN4-12A	BOLT, 1/4-28, 0.8125 GRIP, UNDRILLED, STEEL
39	2	AN4-15A	BOLT, 1/4-28, 1.1875 GRIP, UNDRILLED, STEEL
40	1	AN4-5A	BOLT, 1/4-28, 0.1875 GRIP, UNDRILLED, STEEL
41	1	AN4-6A	BOLT, 1/4-28, 0.3125 GRIP, UNDRILLED, STEEL
42	1	AN45-12A	EYE BOLT
43	2	AN5-10A	BOLT, 5/16-24, 0.5625 GRIP, UNDRILLED, STEEL
44	1	AN5-11A	BOLT, 5/16-24, 0.6875 GRIP, UNDRILLED, STEEL
45	2	AN5-6A	BOLT, 5/16-24, 0.3125 GRIP, UNDRILLED, STEEL
46	2	AN6-14A	BOLT, 3/8-24, .938 GRIP, UNDRILLED, STEEL
47	2	AN6-15A	BOLT, 3/8-24, 1.0625 GRIP, UNDRILLED, STEEL
48	2	AN6-21A	BOLT, 3/8-24, 1.5625 GRIP, UNDRILLED, STEEL
49	4	AN6H10A	BOLT, 3/8-24, 0.4375 GRIP, DRILLED HEAD, STEEL
50	2	AN8-27A	BOLT, 1/2-20, 2.1875 GRIP, UNDRILLED, STEEL
51	1	MS16997-31	SCREW, CAP, SOCKET HEAD
52	2	MS21044N10	NUT, LOCKING, REGULAR HEIGHT, 5/8-18 UNF
53	3	MS21044N12	NUT, LOCKING, REGULAR HEIGHT, 3/4-16 UNF
54	4	MS21044N4	NUT, LOCKING, REGULAR HEIGHT, 1/4-28 UNF
55	2	MS21044N5	NUT, LOCKING, REGULAR HEIGHT, 5/16-24 UNF
56	6	MS21044N6	NUT, LOCKING, REGULAR HEIGHT, 3/8-24 UNF
57	2	MS21044N8	NUT, LOCKING, REGULAR HEIGHT, 1/2-20 UNF
58	5	MS21083N3	NUT, LOCKING, LOW HEIGHT, 10-32 UNF
59	2	MS21083N5	NUT, LOCKING, LOW HEIGHT, 5/16-24 UNF
60	2	MS21919WDG6	CLAMP, LOOP TYPE, CUSHIONED, SUPPORT
61	2	MS24665-376	COTTER PIN
62	1	MS35333-38	STAR WASHER
63	6	NAS1149F0332P	WASHER, 0.203 ID, 0.032 THK, STEEL
64	4	NAS1149F0363P	WASHER, 0.203 ID, 0.063 THK, STEEL
65	10	NAS1149F0432P	WASHER, 0.265 ID, 0.032 THK, Steel
66	2	NAS1149F0463P	WASHER, 0.265 ID, 0.063 THK, STEEL
67	9	NAS1149F0532P	WASHER, 0.328 ID, 0.032 THK, STEEL
68	8	NAS1149F0632P	WASHER, 0.39 ID, 0.032 THK, Steel
69	20	NAS1149F0663P	WASHER, 0.39 ID, 0.063 THK, STEEL
70	6	NAS1149F0832P	WASHER, 0.515 ID, 0.032 THK, Steel
71	6	NAS1149F1063P	WASHER, 0.64 ID, 0.063 THK, STEEL
72	6	NAS1149F1290P	WASHER, 0.765 ID, 0.09 THK, Steel
73	1	PLT3S-M0	CABLE TIE, 11.5"

## ASS'Y., TOP ARM, MAIN GEAR



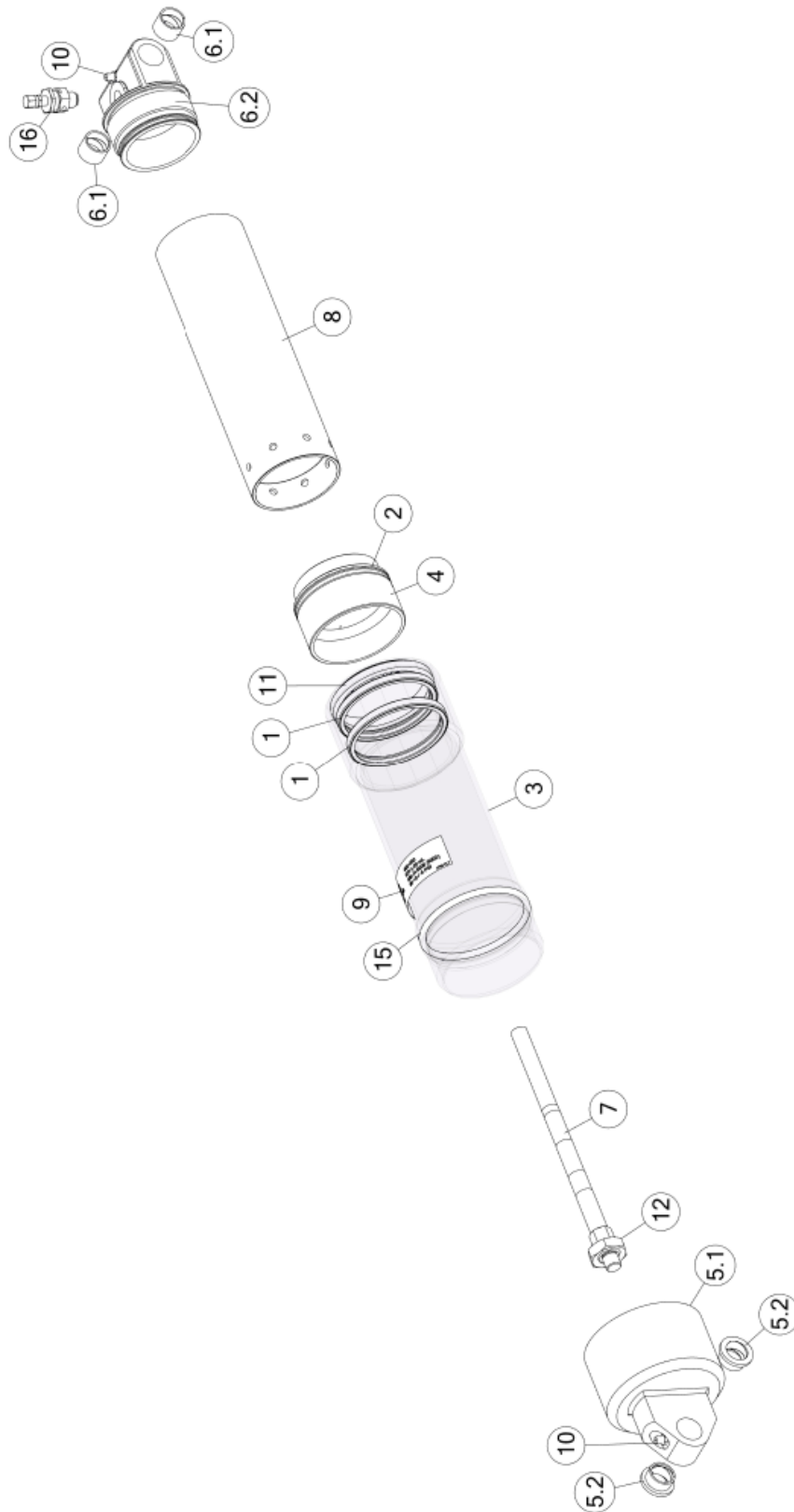
PARTS LIST ASS'Y., TOP ARM, MAIN GEAR			
ITEM	QTY	PART NUMBER	DESCRIPTION
	1	1006860	ASSY., TOP ARM, MAIN GEAR
1	1	1006859	ARM, TOP, MAIN GEAR
2	4	1003729-02	BUSHING, GROOVED, FLANGED
3	1	10995K41	COMMON GREASE ZERK
4	4	35916CN375	HELICOIL, THREAD INSERT
5	1	92311A642	SCREW, SET, SS
6	1	AN316C6R	NUT

# ASS'Y., ROTARY ACTUATOR, MAIN GEAR



PARTS LIST ASS'Y., ROTARY ACTUATOR, MAIN GEAR			
ITEM	QTY	PART NUMBER	DESCRIPTION
	1	1003510	ASS'Y., ROTARY ACTUATOR, MAIN GEAR
1	1	1003501	HOUSING, ROTARY ACT, MAIN GR, KODIAK
2	1	1003502	WEAR STRIP, ROTARY ACTR, MAIN GR, KODIAK
3	1	1003505	RACK, MOD, ROTARY ACTR, MAIN GR, KODIAK
4	2	1003506	PISTON, ROTARY ACTUATOR, MAIN GEAR
5	2	1003507	CYLINDER, ROTARY ACTR, MAIN GR, KODIAK
6	4	1003509	TIE ROD, ROTARY ACTR, MAIN GR, KODIAK
7	1	1003511	ROD, LG, ROTARY ACTR, MAIN GR, KODIAK
8	2	1004297	ADJUSTMENT BOLT, 3/8-24 UNF X 2.25 LG , 18-8 SST,
9	1	1004362	SPUR GEAR, PDIA 1.75, BORE .875, STL
10	1	1008020	SHAFT, ROTARY ACTUATOR, MAIN GEAR
11	2	1008030	CYLINDER CAP, ROTARY ACTUATOR
12	2	1008433	BUSHING, ROTARY ACTUATOR, MAIN GEAR
13	2	750-0002-3/8	WASHER, THREDSEAL, 3/8 ID, STEEL
14	4	90121A999	BOLT, .312-18 UNC X .625 LG ,W/HOLE IN HEAD, SST
15	6	90715A135	NUT, HEX, NYLON LOC, 5/16-18UNC, 316 SST
16	2	91580A246	SNAP RING, INTERN, 2.000 DIA, GRV WD .068, SST
17	4	92313A413	SET SCREW, ¼-28 UNF X .50 LG 316 SS
18	2	9464K133	SEAL, O RING, 1.799 ID, 2.005 OD, BLK, VITON, 75 DURO
19	2	95235A543	SET SCREW, 5/16-18 UNC X .62 LG, DOG PNT, STL, BLK OXIDE
20	2	9560K529	BACKUP RING, 2.006 OD, 1.834 ID, .050 THK, EXTR HARD
21	2	98870A570	KEY, 3/16 X 3/16 X .75 LG, 1018 STL, OVERSIZED, ROUNDED ENDS
22	1	98870A575	KEY, 3/16 X 3/16 X 1.50 LG, 1018 STL, .002 OVER SIZED
23	2	AN316C6R	NUT
24	2	MS20822-4D	ELBOW
25	2	MS28775-032	"O" RING, HYDRAULIC
26	2	MS28775-118	"O" RING, HYDRAULIC
27	2	MS28775-136	"O" RING, HYDRAULIC
28	6	MS28775-326	"O" RING, HYDRAULIC
29	4	NAS1149C0532R	WASHER, 0.328 ID, 0.032 THK, STAINLESS STEEL
30	6	NAS1149C0563R	WASHER, 0.328 ID, 0.063 THK, STAINLESS STEEL
31	2	NAS1149C0663R	WASHER, 0.39 ID, 0.063 THK, STAINLESS STEEL

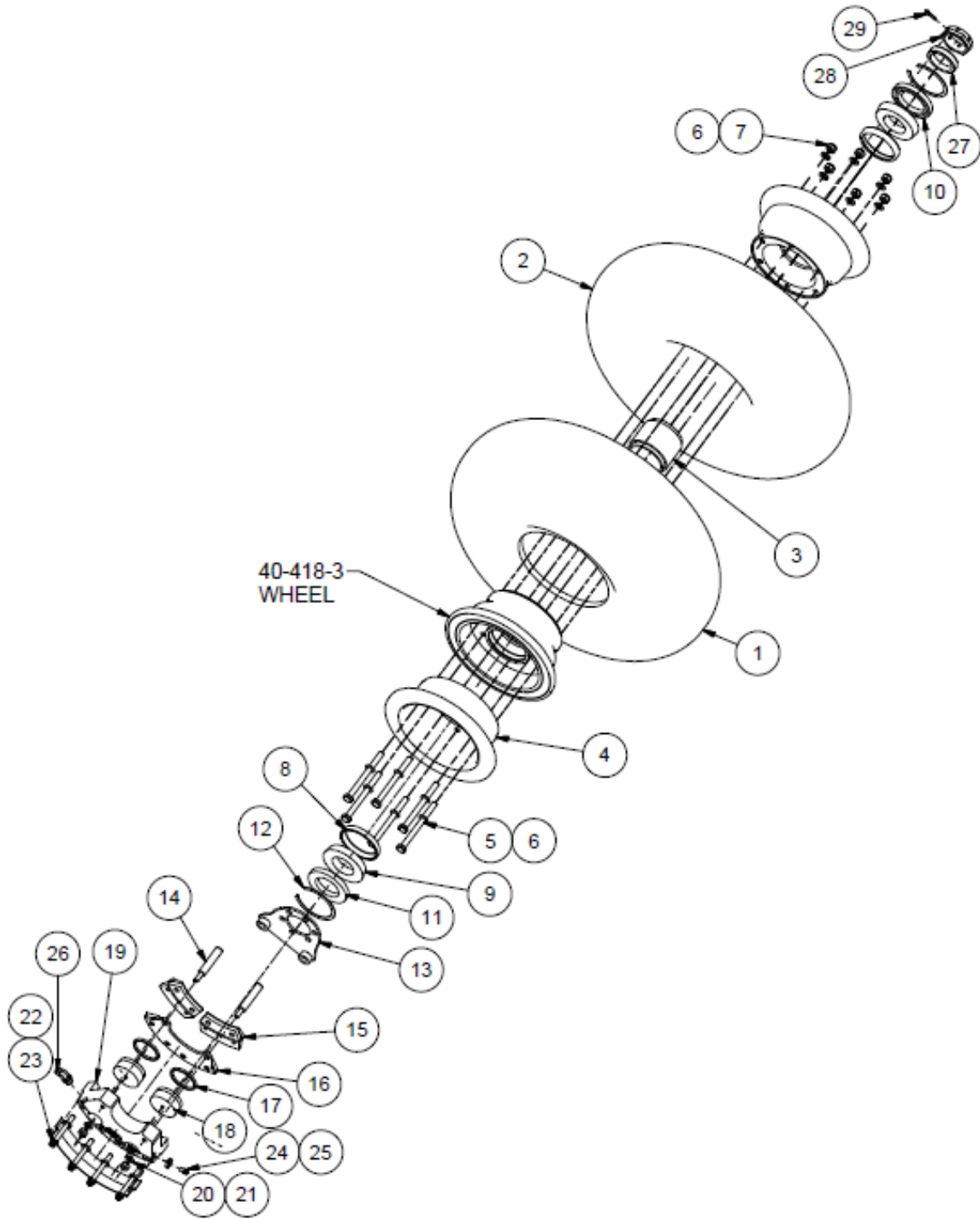
## ASS'Y., OLEO, SHOCK STRUT





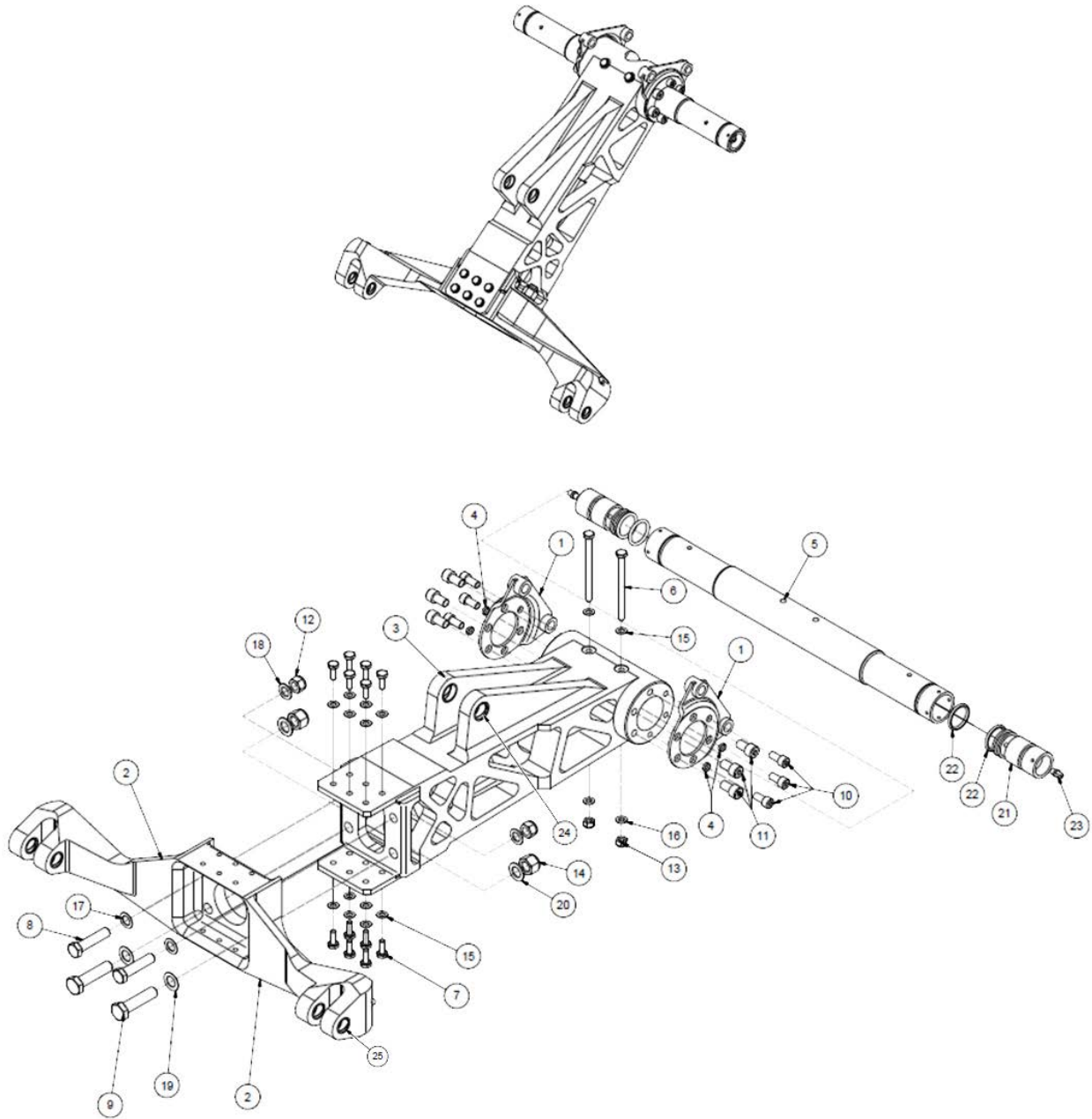
PARTS LIST			
1006863 ASS'Y., OLEO, SHOCK STRUT			
ITEM	QTY	PART NUMBER	DESCRIPTION
1	2	1001929	T-SEAL
2	1	1002028	T-SEAL
3	1	1002567	CYLINDER, OUTER, OLEO, MAIN GEAR
4	1	1002569	PISTON, OLEO CYLINDER, MAIN GEAR
5	1	1004352	ASSEMBLY, END, BOTTOM, OLEO
5.1	1	1002565	BOTTOM END CAP
5.2	2	1003729-01	BUSHING, FLANGED
6	1	1004353	ASSEMBLY, END, TOP, OLEO
6.1	2	1001886-02	BUSHING, GROOVED (not sold separately)
6.2	1	1002566	TOP END CAP (not sold separately)
7	1	1005489	PIN, METERING, OLEO, 8750
8	1	1006862	CYLINDER, INNER, SHOCK STRUT, 9.688 IN
9	1	1006864	PLACARD, HYDRAULIC CYLINDER, 8750
10	2	1095K41	COMMON GREASEZERK
11	1	8881910	WIPER (HALLITE INC)
12	1	AN316-12R	NUT
13	1	MS28775-229	"O" RING
14	1	MS28775-231	"O" RING
15	1	MS28775-340	"O" RING
16	1	MS28889-2	VALVE

## ASS'Y., MAIN GEAR WHEEL



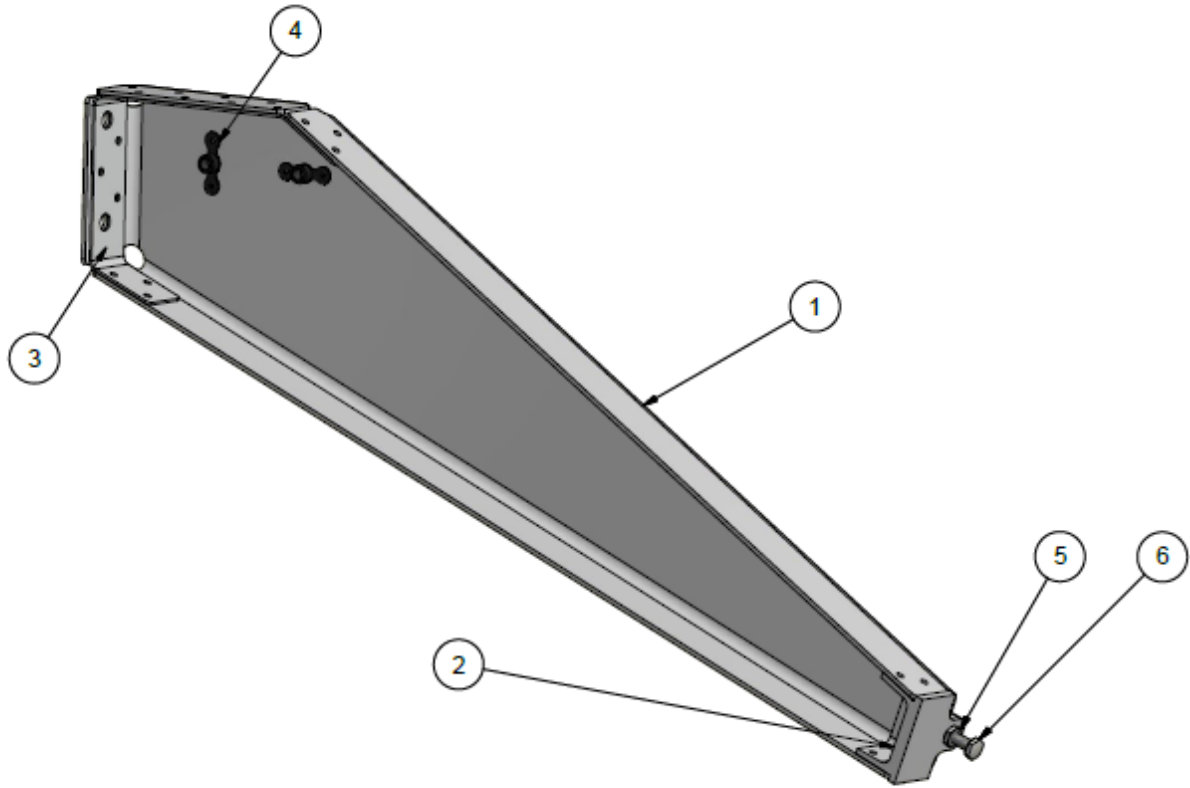
PARTS LIST ASS'Y., MAIN GEAR WHEEL			
ITEM	QTY	PART NUMBER	DESCRIPTION
		8A04000-031	MAIN WHEEL ASSEMBLY
		40-418-3	WHEEL ASSEMBLY COMPLETE
	1	161-19900	WHEEL HALF, INNER
	1	162-19900	WHEEL HALF, OUTER
1	1	AA1E6	TIRE, 6.00 X 6-8
2	1	XA1AD	TUBE, 6.00 X 6
3	1	067-14700	GREASE RTNR
4	1	164-24500	BRAKE DISC, FOR NEW ALUMINUM WHEELS
5	6	AN5-35A	BOLT
6	12	NAS1149D0563J	WASHER
7	6	MS21042-5	NUT
8	2	13836	BEARING CUP, TIMKEN
9	2	13889	BEARING CONE, TIMKEN
10	1	472439	SEAL, OUTBOARD, (#50 HOLE REQUIRED BEFORE INST.)
11	1	473232	SEAL, INBOARD
12	2	155-143	SNAP RING
		6A04000-104	BRAKE ASSEMBLY, RH
		6A04000-105	BRAKE ASSEMBLY, LH
		30-241	BRAKE ASSEMBLY COMPLETE
13	1	075-20700	TORQUE PLATE
14	2	069-03100	ANCHOR BOLT
15	2	074-02900	BACK PLATE ASSEMBLY
	1	066-10500	BRAKE LINING
	2	105-00200	RIVET, BRAKE PAD
16	1	073-04200	PRESSURE PLATE ASSEMBLY
	2	066-10500	BRAKE LINING
	4	105-00200	RIVET, BRAKE PAD
17	2	MS28775-222	O-RING
18	2	062-10700	BRAKE PISTON
19	1	091-21600	CYLINDER
20	2	NAS1149F0463P	WASHER
21	2	MS21044N4	NUT
22	4	MS20002C4	WASHER, COUNTER SUNK
23	4	MS21250H04026	BOLT, EXTERNAL WRENCHING. 10-32 UNF 3A
24	1	079-00300	SCREW BLEEDER
25	1	081-00200	SEAT BLEEDER
26	1	104-04700	FITTING
	1	MS28775-012	O-RING
27	1	6A04093-002	AXLE SPACER, MAIN WHEEL
28	1	MS21025-24	NUT, AXLE
29	1	MS24665-349	COTTER PIN

## ASS'Y., MAIN GEAR AXLE



PARTS LIST ASS'Y., MAIN GEAR AXLE			
ITEM	QTY	PART NUMBER	DESCRIPTION
		1004395	ASS'Y., MAIN GEAR, W/O WHEELS
1	2	075-20700	TORQUE PLATE
2	1	1002595	ASSEMBLY, PIVOT LINK, MAIN GEAR
3	1	1004471	ASSEMBLY, DRAG LINK, MAIN GEAR
4	4	30A04523-002	BUSHING, TORQUE PLATE
5	1	6A04510-001	AXLE, MAIN WHEEL
6	2	AN4-33A	BOLT
7	12	AN4-5A	BOLT
8	2	AN7-16A	BOLT
9	2	AN8-17A	BOLT
10	6	MS16997-77	SOCKET HEAD CAP SCREW
11	6	MS16997-96	SOCKET HEAD CAP SCREW
12	2	MS20365-720A	NUT, SELF LOCKING
13	2	MS21044N4	NUT, LOCKING, REGULAR HEIGHT
14	2	MS21044N8	NUT, LOCKING, REGULAR HEIGHT
15	14	NAS1149F0432P	WASHER
16	2	NAS1149F0463P	WASHER
17	2	NAS1149F0732P	WASHER
18	2	NAS1149F0763P	WASHER
19	2	NAS1149F0832P	WASHER
20	2	NAS1149F0863P	WASHER
21	2	6A04263-003	INSERT GREASE WHEEL
22	4	MS28775-214	O-RING
23	2	1095K41	GREASE ZERK
24	2	1001886-02	BUSHING, GROOVED
25	4	1001886-01	BUSHING, GROOVED

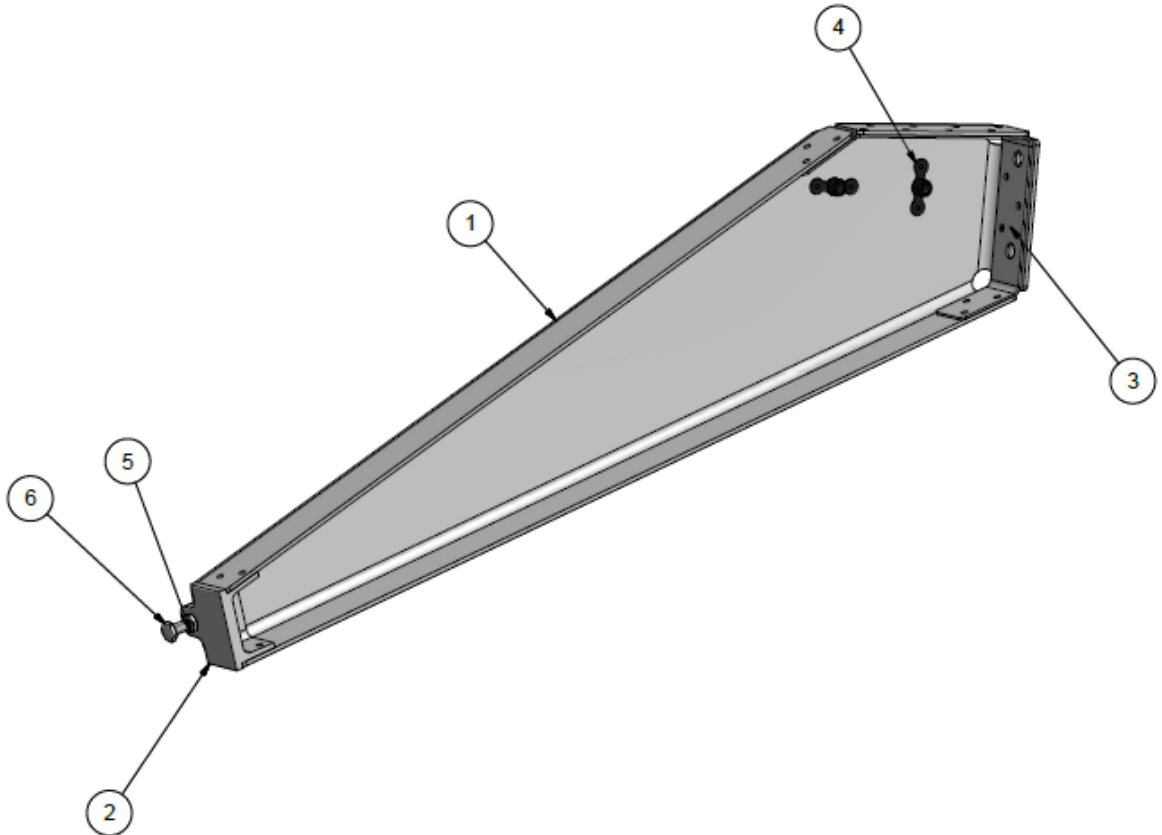
## ASS'Y., DOWN STOP, MAIN GEAR, LEFT



PARTS LIST  
ASS'Y., DOWN STOP, MAIN GEAR, LEFT

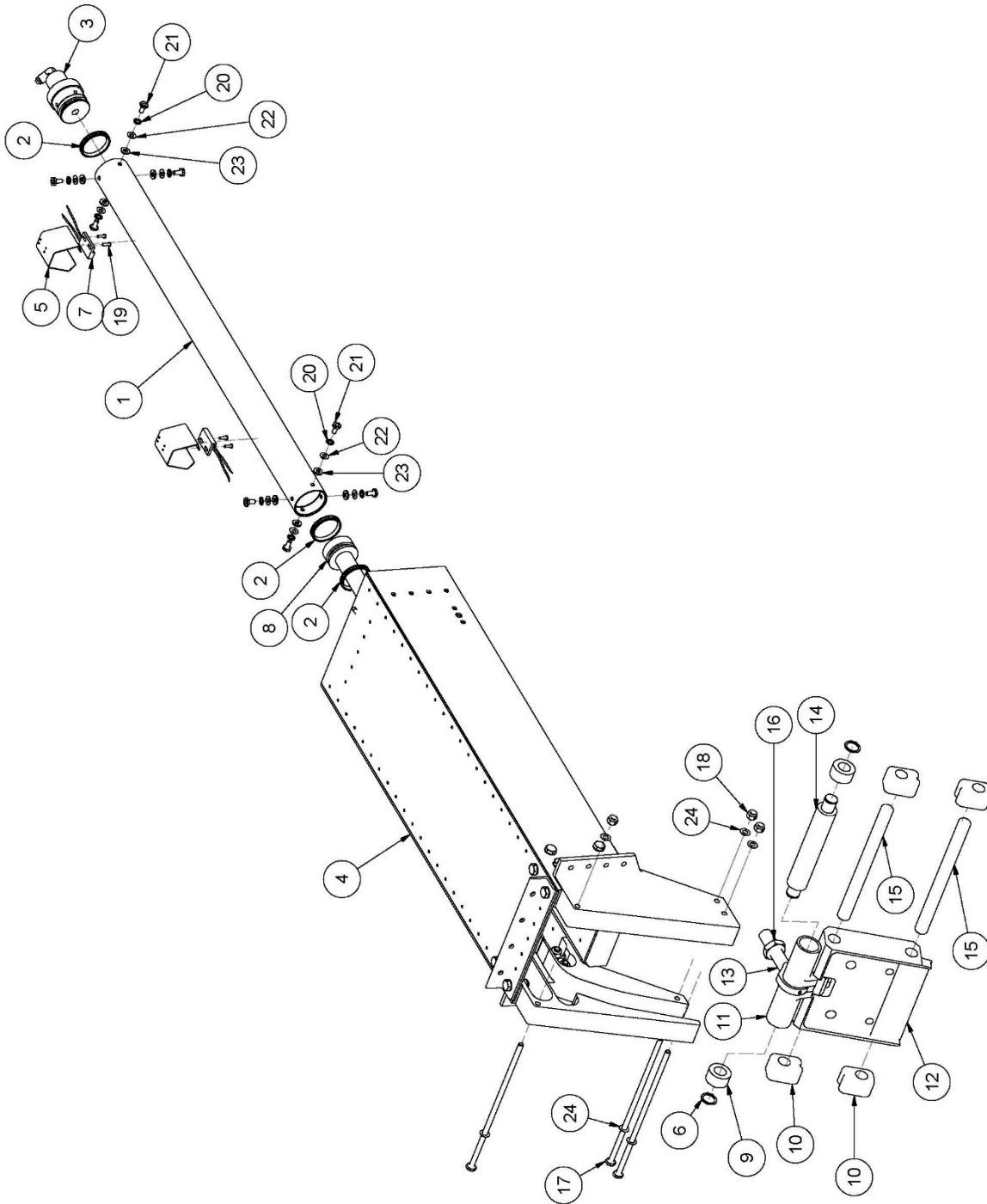
ITEM	QTY	PART NUMBER	DESCRIPTION
		1004457	ASS'Y., DOWN STOP, MAIN GEAR, LEFT
1	1	1004453	DOWN STOP, LH, MAIN GEAR
2	1	1004455	ADJUSTMENT, LH, DOWN STOP, MAIN GEAR
3	1	1004451	REINFORCEMENT, LH, DOWN STOP, MAIN GEAR
4	2	MS21047L4	NUT PLATE, SELF LOCKING
5	1	AN316-4R	NUT
6	1	NAS428-4-10	ADJUSTING BOLT

## ASS'Y., DOWN STOP, MAIN GEAR, RIGHT



PARTS LIST			
ASS'Y., DOWN STOP, MAIN GEAR, RIGHT			
ITEM	QTY	PART NUMBER	DESCRIPTION
		1004458	ASS'Y., DOWN STOP, MAIN GEAR, RIGHT
1	1	1004454	DOWN STOP, RH, MAIN GEAR
2	1	1004456	ADJUSTMENT, RH, DOWN STOP, MAIN GEAR
3	1	1004452	REINFORCEMENT, RH, DOWN STOP, MAIN GEAR
4	2	MS21047L4	NUT PLATE, SELF LOCKING
5	1	AN316-4R	NUT
6	1	NAS428-4-10	ADJUSTING BOLT

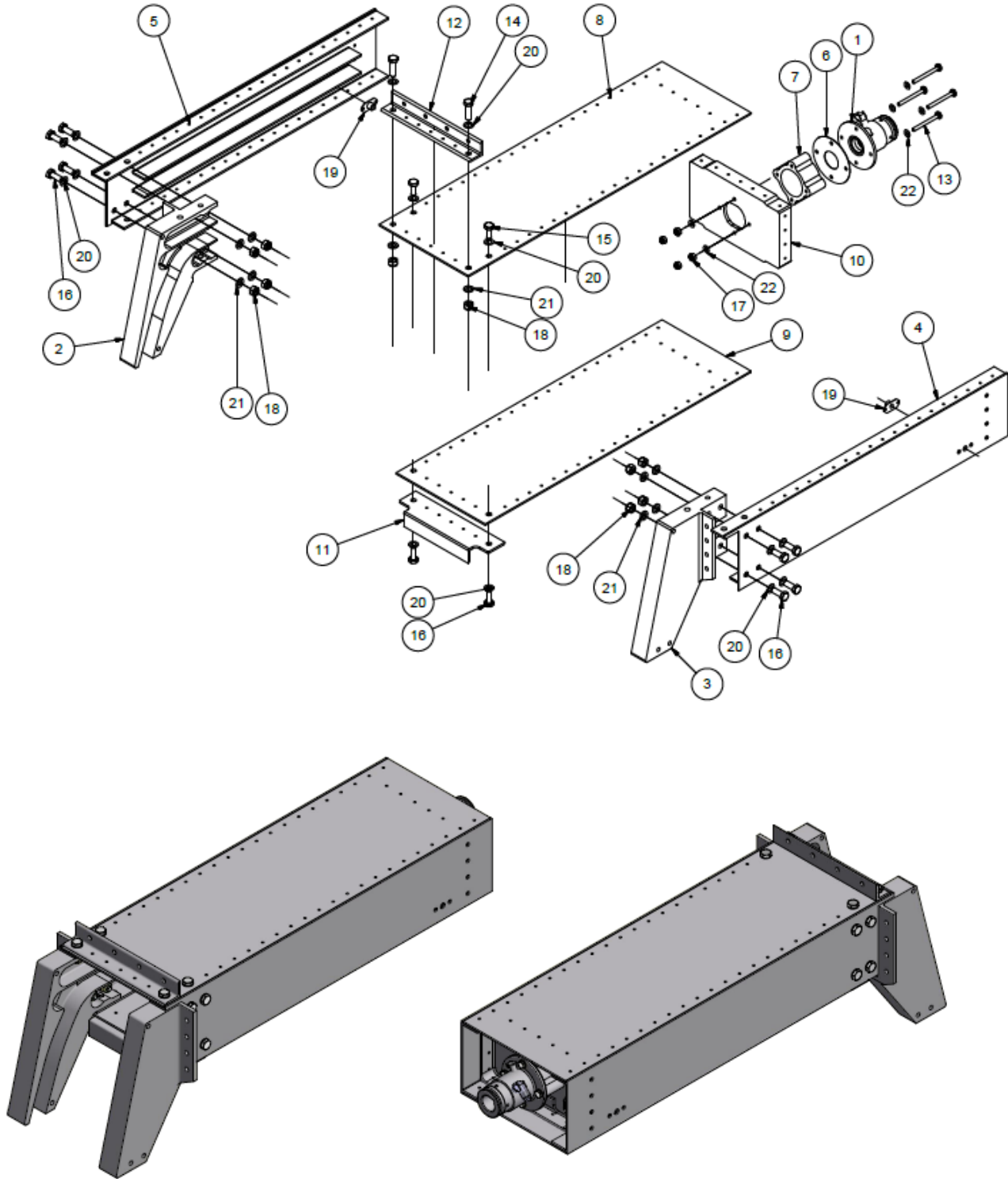
# ASS'Y., NOSE GEAR ACTUATOR





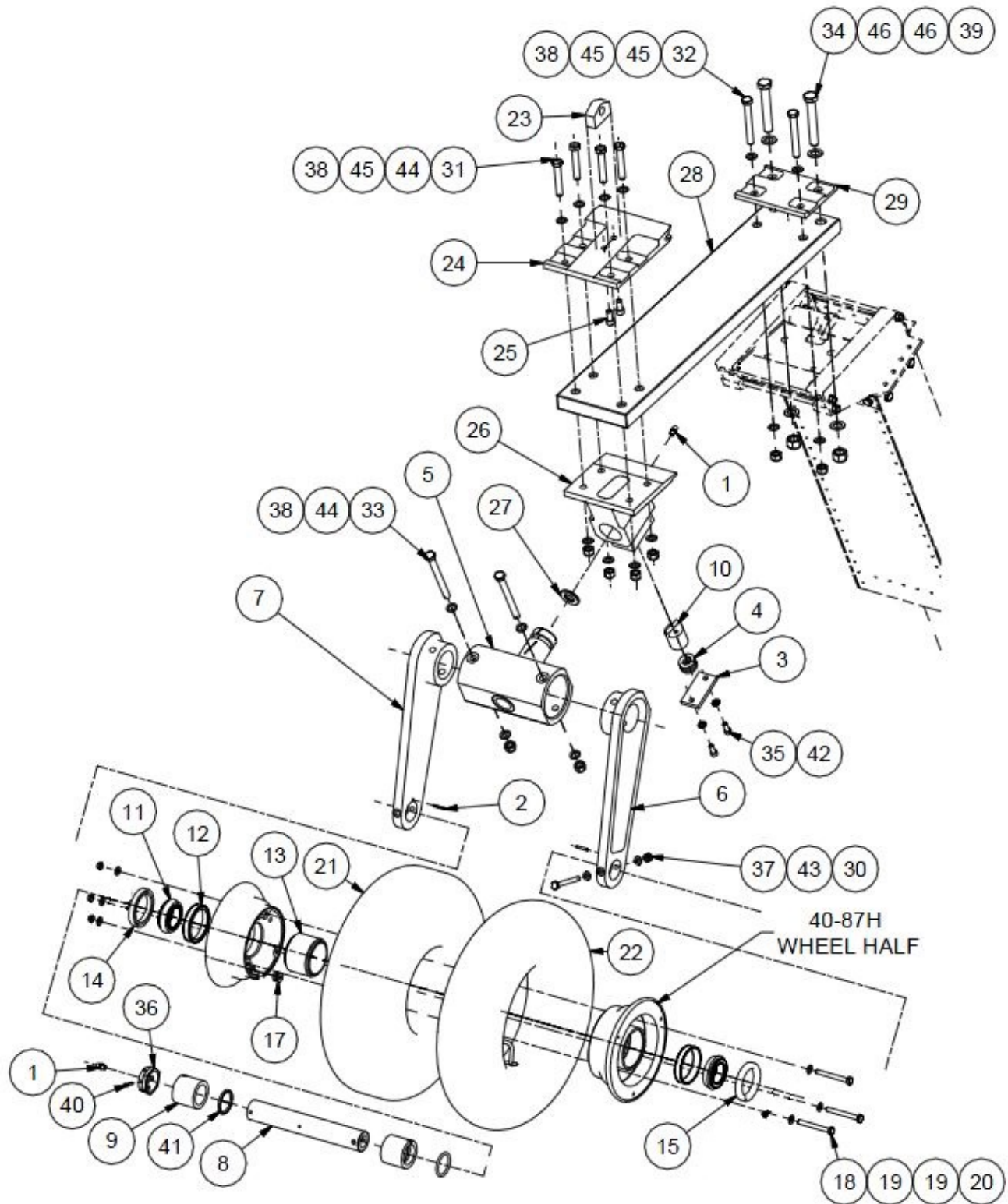
PARTS LIST ASS'Y., NOSE GEAR ACTUATOR			
ITEM	QTY	PART NUMBER	DESCRIPTION
		1004336	ASS'Y., NOSE GEAR ACTUATOR
1	1	1002024	CYLINDER, RAM, NOSE, 6000/8000
2	3	1002229	PISTON, T-SEAL
3	1	1002236	ASSEMBLY, CYLINDER END CAP
4	1	1004335	ASSY, NOSE BOX <b>(SEE DETAIL PART LIST)</b>
5	2	3A07005-178	CLIP, SWITCH, NOSE & MAIN
6	2	5100-62H	SNAP RING
7	2	5801	SWITCH, SENSOR
8	1	6A07000-008	ASSY, RAM, NOSE GEAR
9	2	6A07544-001	ROLLER - TRACK, NOSE GEAR
10	4	6A07603-001	BLOCK, SLIDE, TROLLEY, NOSE GEAR
11	1	8A07185-002	LINK, NOSE GEAR RAM
12	1	8A07188-001	TROLLEY, NOSE GEAR
13	1	8A07257-002	ROD END, NOSE GEAR RAM
14	1	8A07505-001	AXLE, LINK, NOSE GEAR
15	2	8A07534-003	AXLE, NOSE GEAR TROLLEY
16	1	AN316-10R	NUT
17	3	AN4-81A	BOLT
18	3	MS21044N4	NUT, LOCKING, REGULAR HEIGHT, 1/4-28 UNF
19	4	MS35206-215	SCREW, MACHINE, PAN HEAD
20	8	MS35333-39	STAR WASHER
21	8	NAS1103-2	BOLT
22	8	NAS1149D0316J	WASHER, 0.203 ID, 0.016 THK, ALUMINUM
23	8	NAS1149D0363J	WASHER, 0.203 ID, 0.063 THK, ALUMINUM
24	6	NAS1149D0416J	WASHER, 0.265 ID, 0.016 THK, ALUMINUM

## ASS'Y., NOSE BOX



PARTS LIST ASS'Y., NOSE BOX			
ITEM	QTY	PART NUMBER	DESCRIPTION
		1004335	ASS'Y., NOSE BOX
1	1	1002237	CYLINDER FLANGE ASS'Y
	1	1002013	FLANGE (NOT SOLD SEPERATELY)
	2	1002230	T-SEAL
	1	6A07580-005	WIPER, NOSE
	1	8880510	WIPER (NOT SOLD SEPERATELY)
	1	MS20822-4D	ELBOW FITTING, ALUMINUM
	1	1231K2	OILER, 1/4" DIA
2	1	1004079	TRACK, END, NOSE GEAR, RH
3	1	1004080	TRACK END, NOSE GEAR, LH
4	1	1004333	SIDE TRACK, NOSE GEAR, LH
5	1	1004334	SIDE TRACK, NOSE GEAR, RH
6	1	6A07158-129	PLATE - FLANGE
7	1	6A07264-003	SPACER - FLANGE CYLINDER NOSE GEAR RAM
8	1	8A07156-037	SKIN- NOSE BOX, TOP, 8000 FLOATS
9	1	8A07156-038	SKIN-NOSE BOX, BOTTOM, 8000 FLOATS
10	1	8A07201-002	END, CAP, NOSE BOX
11	1	8A07357-038	ANGLE, NOSE BOX, BOTTOM
12	1	8A07427-004	ANGLE, NOSE BOX, TOP
13	4	AN3-20A	BOLT
14	2	AN5-10A	BOLT
15	2	AN5-5A	BOLT
16	10	AN5-6A	BOLT
17	4	MS21044N3	NUT, LOCKING, REGULAR HEIGHT, 10-32 UNF
18	10	MS21044N5	NUT, LOCKING, REGULAR HEIGHT, 5/16-24 UNF
19	2	MS21059L5	NUT PLATE
20	14	NAS1149D0516J	WASHER
21	10	NAS1149D0563J	WASHER, 0.328 ID, 0.063 THK, ALUMINUM
22	8	NAS1149F0332P	WASHER, 0.203 ID, 0.032 THK, STEEL

## ASS'Y., NOSE GEAR WHEEL



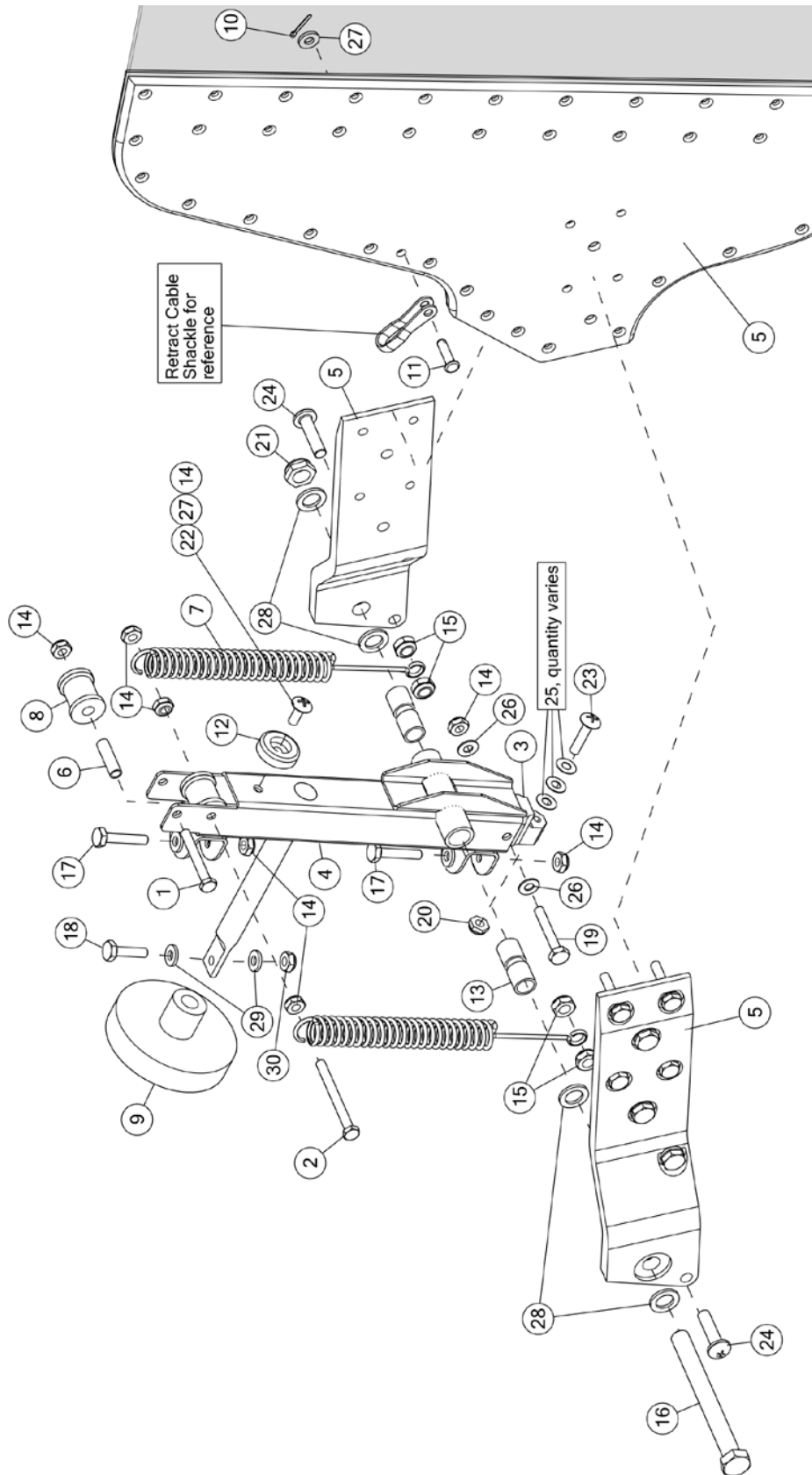
PARTS LIST ASS'Y., NOSE WHEEL			
ITEM	QTY	PART NUMBER	DESCRIPTION
1	2	1095K41	COMMON GREASEZERK
2	2	215-125-0750	PIN, ROLL, 1/8 X 3/4, SPRING
3	1	3A06037-001	CAP - PIVOT BLOCK
4	1	3A06525-002	SPRING
5	1	6A06000-006	YOKE ASSY
6	1	6A06199-003	LEG, NOSE WHEEL FORK, LEFT
7	1	6A06199-004	LEG, NOSE WHEEL FORK, RIGHT
8	1	6A06265-001	AXLE - NOSE WHEEL
9	2	6A06268-002	SPACER
10	1	6A06512-002	RETAINER, NOSE GEAR PIVOT
11	2	08125	BEARING, STL, TIMKEN. 40-87H
12	2	08231	CUP, BEARING, TIMKEN, 40-87H
13	1	1003232	RETAINER, GREASE, NOSE WHEEL
14	1	1003547	SEAL, BEARING, WHEEL, INBOARD
15	1	1003548	SEAL, NOSE WHEEL, OUTBOARD
17	1	217-00100	GROMMET, AIR VALVE STEM
18	3	AN4-22A	BOLT
19	6	NAS1149F0463P	WASHER
20	3	NAS21042-4	NUT
21	1	301-018-420	TIRE, 5 X 10 PLY
22	1	XA1AC	TUBE, 5.00 X X6
23	1	6A06202-001	BLOCK, ATTACH, TOWING
24	1	8A06210-002	PLATE, BEARING, NOSE SPRING
25	2	MS16997-77	SOCKET HEAD CAP SCREW
26	1	8A06308-001	BLOCK, PIVOT, NOSE GEAR
27	1	8A06600-001	WASHER - THRUST
28	1	8A06626-001	SPRING, NOSE GEAR
29	1	8A07212-001	PLATE - BEARING, NOSE SPRING
30	1	AN4-25A	BOLT
31	4	AN6-21A	BOLT
32	2	AN6-27A	BOLT
33	2	AN6-37	BOLT
34	2	AN8-31A	BOLT
35	2	MS16997-60	SOCKET HEAD CAP SCREW
36	1	MS21025-20	NUT, AXLE
37	1	MS21044N4	NUT
38	8	MS21044N6	NUT
39	2	MS21044N8	NUT
40	1	MS24665-349	COTTER PIN
41	2	MS28775-218	"O" RING
42	2	MS35333-40	STAR WASHER

PARTS LIST  
ASS'Y., NOSE WHEEL

43	2	NAS1149F0432P	WASHER
44	8	NAS1149F0632P	WASHER
45	8	NAS1149F0663P	WASHER
46	4	NAS1149F0863P	WASHER

## **SECTION 8: WATER RUDDER ASSEMBLY**

# ASS'Y., WATER RUDDER

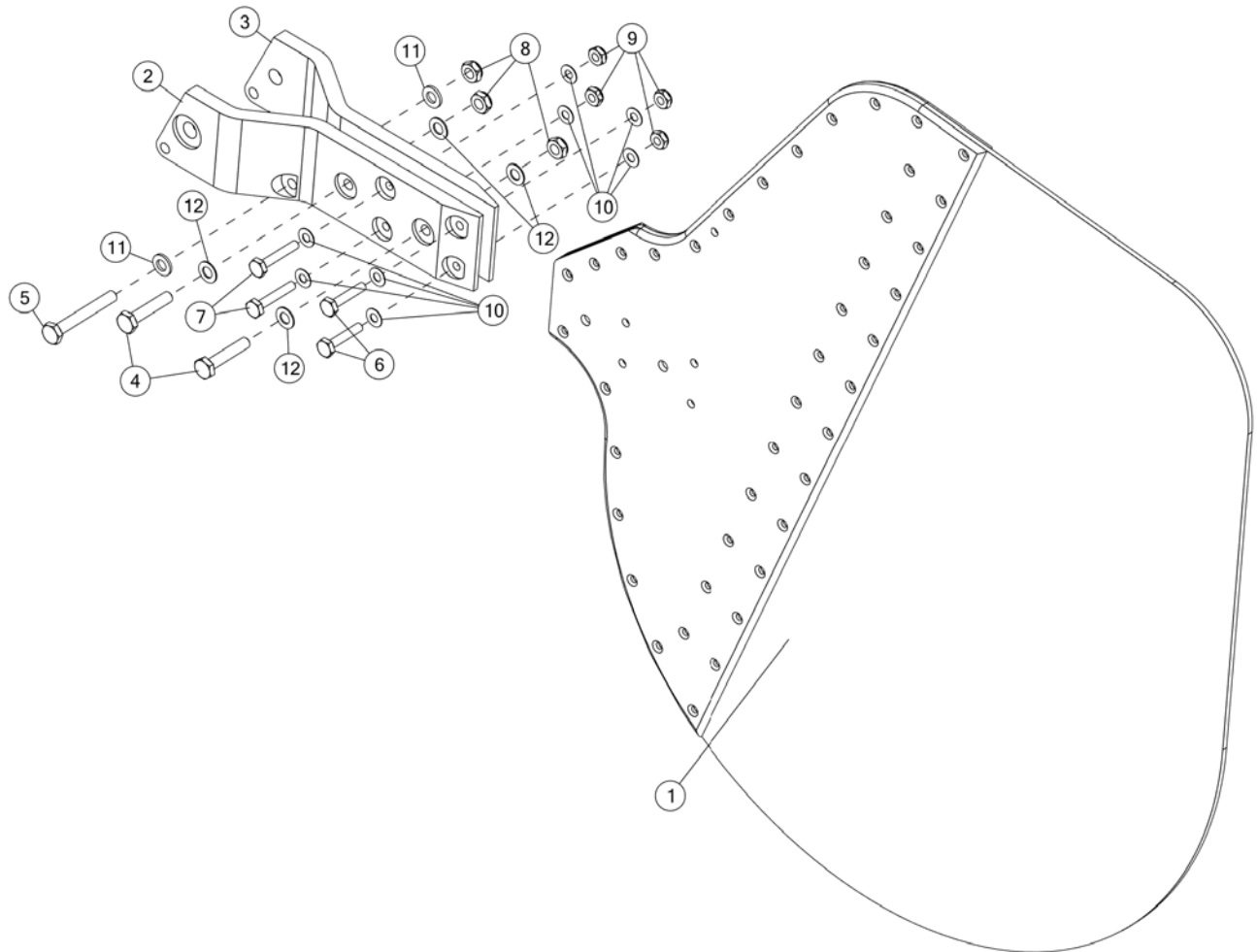




PARTS LIST ASS'Y., WATER RUDDER			
ITEM	QTY	PART NUMBER	DESCRIPTION
1	1	#10-32 X 1.5 SS	STAINLESS STEEL, HEX CAPSCREW
2	1	#10-32 X 2 SS	STAINLESS STEEL, HEX CAPSCREW
3	1	1004372	STOP, WATER RUDDER, 7000
4	1	8A08000-098	WATER RUDDER POST (Assembly includes 06DU08 item 13 bushings)
5	1	8A08000-079	ASSY, WATER RUDDER W/DOUBLERS AND ARMS
6	2	3A08502-001	SPACER, WATER RUDDER RETRACT ROLLER, LONG
7	2	3A08525-001	SPRING, RUDDER RETRACT
8	2	3A08606-001	ROLLER, CABLE RETRACT, LOWER
9	1	3A08650-001	BOOT, WATER RUDDER
10	1	MS24665-151	COTTER PIN
11	1	MS20392-2C19	CLEVIS PIN
12	1	8A08602-004	STOP, WATER RUDDER UP
13	4	06DU08	BUSHINGS (bushings included in 8A08000-098 water rudder post)
14	8	NAS679A3W	KAYNAR NUT
15	4	NAS679A4W	KAYNAR NUT
16	1	AN6C34A	BOLT
17	2	AN3C10A	BOLT
18	1	AN3-6A	BOLT
19	1	AN3C12A	BOLT
20	1	MS21083C3	NUT
21	1	MS21083C6	NUT
22	1	AN526C1032R8	SCREW
23	1	AN526C1032R14	SCREW
24	2	MS27039C4-16	SCREW
25	3*	NAS1149C0316R	WASHER
26	2	NAS1149C0332R	WASHER
27	2	NAS1149C0363R	WASHER
28	4	NAS1149C0663R	WASHER
29	2	NAS1149F0363P	WASHER
30	1	MS21083N3	NUT

\*Quantity varies on AN526-1032R14 screw due to water rudder down stop adjustment

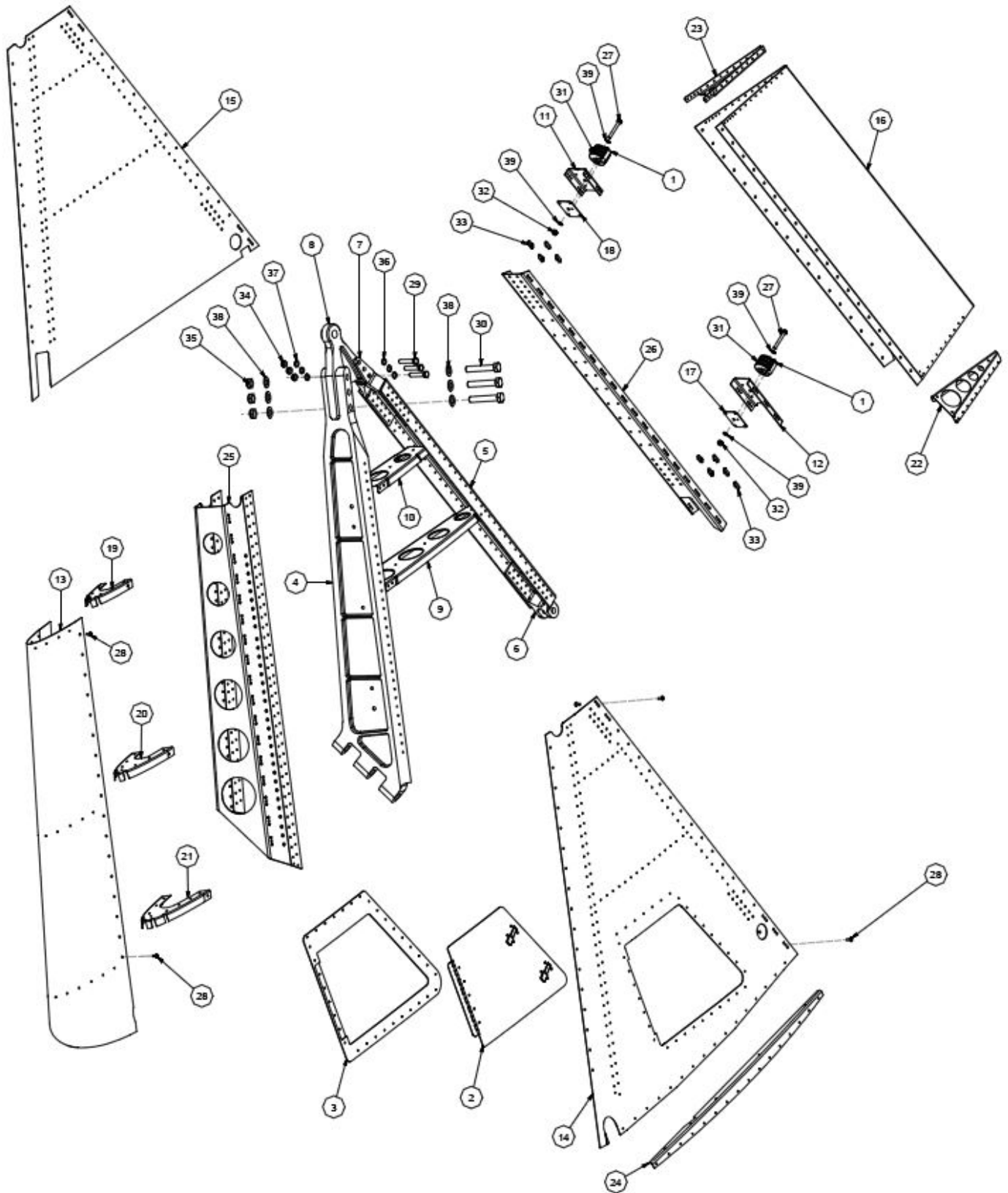
## ASS'Y., 8A08000-079 WATER RUDDER W/DOUBLERS AND ARMS



PARTS LIST			
ASS'Y., 8A08000-079 WATER RUDDER W/DOUBLERS AND ARMS			
ITEM	QTY	PART NUMBER	DESCRIPTION
1	1	8A08000-023	Water Rudder Blade Assembly with Doublers.
*Left 8A08001-029 and Right 8A08001-030 water rudder blade doublers not sold separately			
2	1	8A08044-001	Arm, Water Rudder Lt.
3	1	8A08044-002	Arm, Water Rudder Rt.
4	2	AN4-12A	Bolt
5	1	AN4-17A	Bolt
6	2	AN3-10A	Bolt
7	2	AN3-11A	Bolt
8	3	NAS679A4W	Nut, Self Locking
9	4	NAS679A3W	Nut, Self Locking
10	8	NAS1149D0316J	Washer, Aluminum
11	2	NAS1149D0463J	Washer, Aluminum
12	4	NAS1149D0416J	Washer, Aluminum

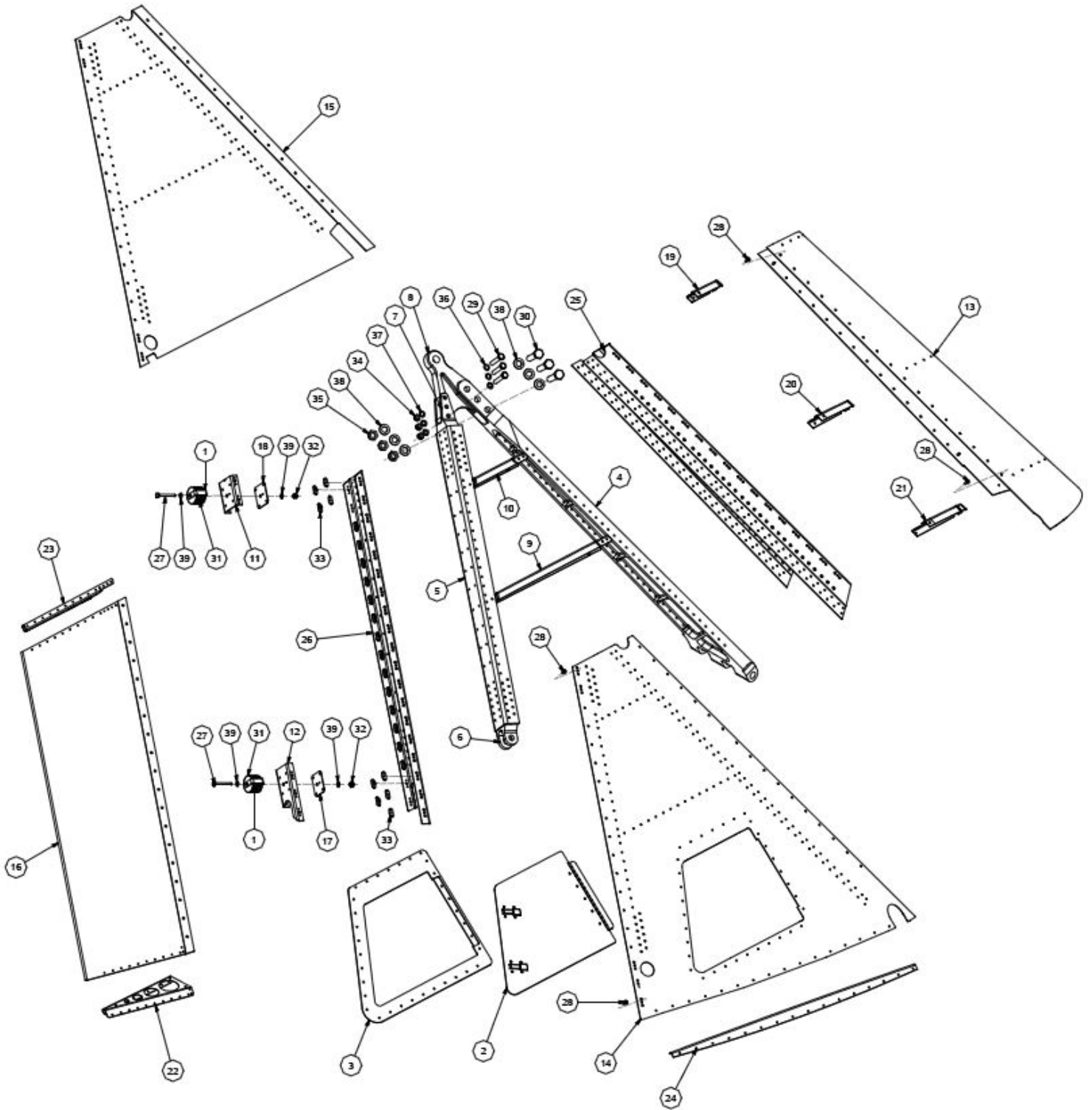
## **SECTION 9: PYLON ASSEMBLY**

### ASS'Y., LEFT PYLON



PARTS LIST ASS'Y., LEFT PYLON			
ITEM	QTY	PART NUMBER	DESCRIPTION
	1	1005486	ASSEMBLY, PYLON, LEFT
1	2	1003862	GUARD, CABLE, PULLEY BRACKET, PYLON, KODIAK
2	1	1004027	ASSEMBLY, DOOR, ACCESS, LH, PYLON, KODIAK
3	1	1004167	REINFORCEMENT, DOOR, ACCESS, LH, PYLON, KODIAK
4	1	1005315	STRUT, MAIN, PYLON, LH
5	1	1005321	CHANNEL, STRUT, DRAG, LH
6	1	1005323	FITTING, STRUT, DRAG, PYLON, LOWER, LH
7	1	1005324	FITTING, STRUT, DRAG, PYLON, UPPER, LH
8	1	1005327	FITTING, PIVOT, PYLON, LH
9	1	1005331	RIB, PYLON, CENTER, LH
10	1	1005333	RIB, PYLON, UPPER, LH
11	1	1005345	PULLEY BRACKET, PYLON, UPPER, LH
12	1	1005347	PULLEY BRACKET, PYLON, LOWER, LH
13	1	1005349	SKIN, PYLON, LEADING EDGE, LH
14	1	1005351	SKIN, PYLON, CENTER, OUTBOARD, LH
15	1	1005353	SKIN, PYLON, CENTER, INBOARD, LH
16	1	1005355	SKIN, PYLON, TRAILING EDGE, LH
17	1	1005360	DOUBLER, PULLEY BRACKET, PYLON, LOWER
18	1	1005361	DOUBLER, PULLEY BRACKET, PYLON, UPPER
19	1	1005363	RIB, TOP, LEADING EDGE, LH
20	1	1005365	RIB, MID, LEADING EDGE, LH
21	1	1005367	RIB, LOWER, LEADING EDGE, LH
22	1	1005422	RIB, LH PYLON TRAILING EDGE BOTTOM
23	1	1005424	RIB, LH PYLON TRAILING EDGE TOP
24	1	1005426	STIFFENER, SKIN, PYLON, LH
25	1	1005559	ASSEMBLY, CHANNEL, STRUT, MAIN, LH
26	1	1005579	ASSEMBLY, CHANNEL, STRUT, DRAG, LH
27	2	AN4-20A	BOLT, 1/4-28
28	8	AN526-832R8	SCREW, MACHINE, TRUSS HEAD
29	3	AN6-17A	BOLT, 3/8-24
30	3	AN9-30A	BOLT, 9/16-18
31	6	MS20219-2	PULLEY
32	2	MS21044N4	NUT, 1/4-28
33	9	MS21059L08	NUT PLATE
34	3	MS21083N6	NUT, SHEAR, 3/8-24
35	3	MS21083N9	NUT, SHEAR, 9/16-18
36	3	NAS1149D0616J	WASHER, 0.39 ID, 0.016 THK, ALUMINUM
37	3	NAS1149D0663J	WASHER, 0.39 ID, 0.063 THK, ALUMINUM
38	6	NAS1149D0963J	WASHER, 0.578 ID, 0.063 THK, ALUMINUM
39	4	NAS1149F0432P	WASHER, 0.265 ID, 0.032 THK, Steel
	1	1009155	ASSEMBLY, OIL RECEPTACLE BRACKET, LH (bracket and AN526-632R5 screws not shown)

## ASS'Y., RIGHT PYLON



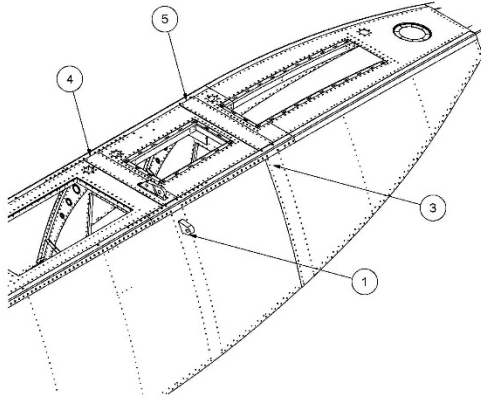
PARTS LIST ASS'Y., RIGHT PYLON			
ITEM	QTY	PART NUMBER	DESCRIPTION
	1	1005487	ASSEMBLY, PYLON, RIGHT
1	2	1003862	GUARD, CABLE, PULLEY BRACKET, PYLON, KODIAK
2	1	1004026	ASSEMBLY, DOOR, ACCESS, RH, PYLON, KODIAK
3	1	1004166	REINFORCEMENT, DOOR, ACCESS, RH, PYLON, KODIAK
4	1	1005320	STRUT, MAIN, PYLON, RH
5	1	1005322	CHANNEL, STRUT, DRAG, RH
6	1	1005325	FITTING, STRUT, DRAG, PYLON, LOWER, RH
7	1	1005326	FITTING, STRUT, DRAG, PYLON, UPPER, RH
8	1	1005328	FITTING, PIVOT, PYLON, RH
9	1	1005332	RIB, PYLON, CENTER, RH
10	1	1005334	RIB, PYLON, UPPER, RH
11	1	1005346	PULLEY BRACKET, PYLON, UPPER, RH
12	1	1005348	PULLEY BRACKET, PYLON, LOWER, RH
13	1	1005350	SKIN, PYLON, LEADING EDGE, RH
14	1	1005352	SKIN, PYLON, CENTER, OUTBOARD, RH
15	1	1005354	SKIN, PYLON, CENTER, INBOARD, RH
16	1	1005356	SKIN, PYLON, TRAILING EDGE, RH
17	1	1005360	DOUBLER, PULLEY BRACKET, PYLON, LOWER
18	1	1005361	DOUBLER, PULLEY BRACKET, PYLON, UPPER
19	1	1005364	RIB, TOP, LEADING EDGE, RH
20	1	1005366	RIB, MID, LEADING EDGE, RH
21	1	1005368	RIB, LOWER, LEADING EDGE, RH
22	1	1005423	RIB, RH PYLON TRAILING EDGE BOTTOM
23	1	1005425	RIB, RH PYLON TRAILING EDGE TOP
24	1	1005427	STIFFENER, SKIN, PYLON, RH
25	1	1005558	ASSEMBLY, CHANNEL, STRUT, MAIN, RH
26	1	1005580	ASSEMBLY, CHANNEL, STRUT, DRAG, RH
27	2	AN4-20A	BOLT, 1/4-28
28	8	AN526-832R8	SCREW, MACHINE, TRUSS HEAD
29	3	AN6-17A	BOLT, 3/8-24
30	3	AN9-30A	BOLT, 9/16-18
31	6	MS20219-2	PULLEY
32	2	MS21044N4	NUT, 1/4-28
33	9	MS21059L08	NUT PLATE
34	3	MS21083N6	NUT, SHEAR, 3/8-24
35	3	MS21083N9	NUT, SHEAR, 9/16-18
36	3	NAS1149D0616J	WASHER, 0.39 ID, 0.016 THK, ALUMINUM
37	3	NAS1149D0663J	WASHER, 0.39 ID, 0.063 THK, ALUMINUM
38	6	NAS1149D0963J	WASHER, 0.578 ID, 0.063 THK, ALUMINUM
39	4	NAS1149F0432P	WASHER, 0.265 ID, 0.032 THK, Steel
	1	1009156	ASSEMBLY, OIL RECEPTACLE BRACKET, RH (bracket and AN526-632R5 screws not shown)

THIS PAGE INTENTIONALLY LEFT BLANK

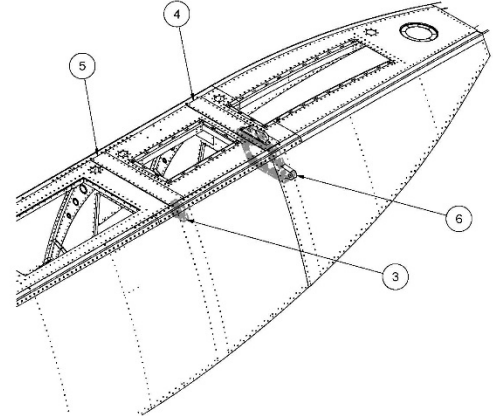


## **SECTION 10: FORWARD STRUT FITTING**

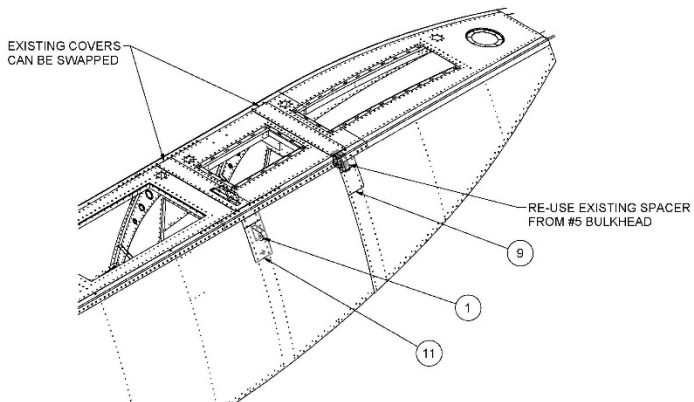
## INSTALLATION, FWD STRUT FITTING



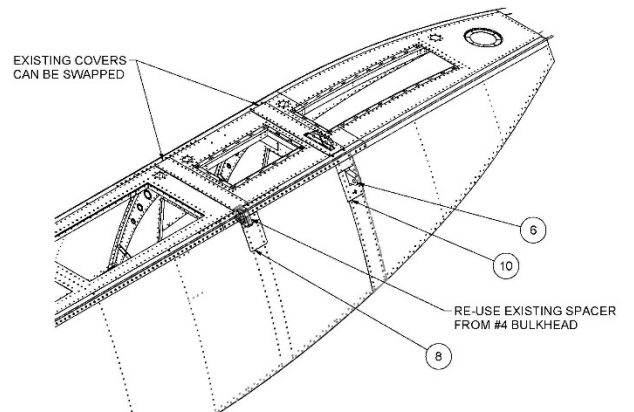
1006040-01  
FACTORY INSTALL, 8750 FWD STRUT FITTING, 208  
SCALE 1 / 12



1006040-02  
FACTORY INSTALL, 8750 FWD STRUT FITTING, 208B  
SCALE 1 / 12



1006040-03  
CONVERSION KIT, 8750 FWD STRUT FITTING, 208B TO 208  
SCALE 1 / 12



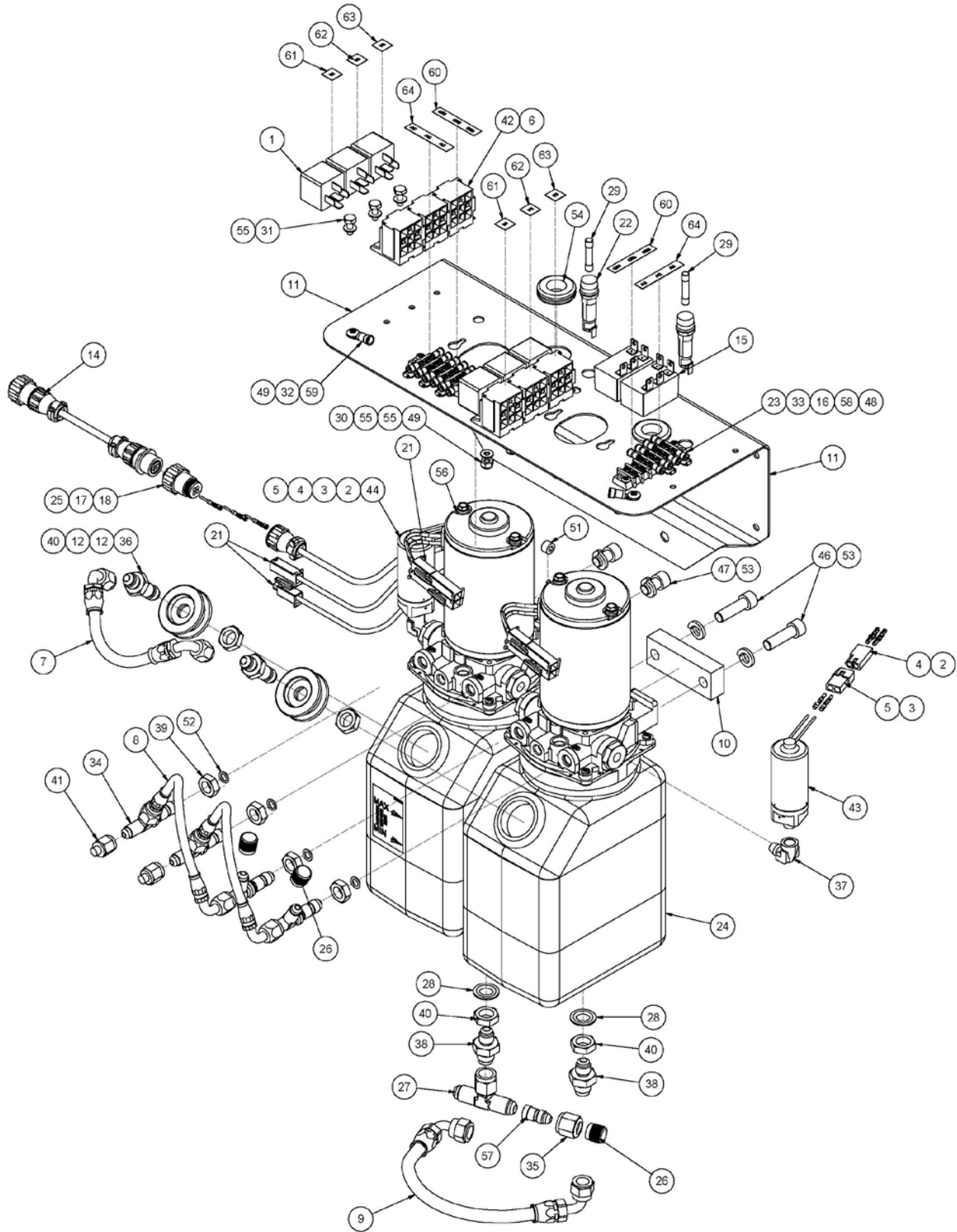
1006040-04  
CONVERSION KIT, 8750 FWD STRUT FITTING, 208 TO 208B  
SCALE 1 / 12

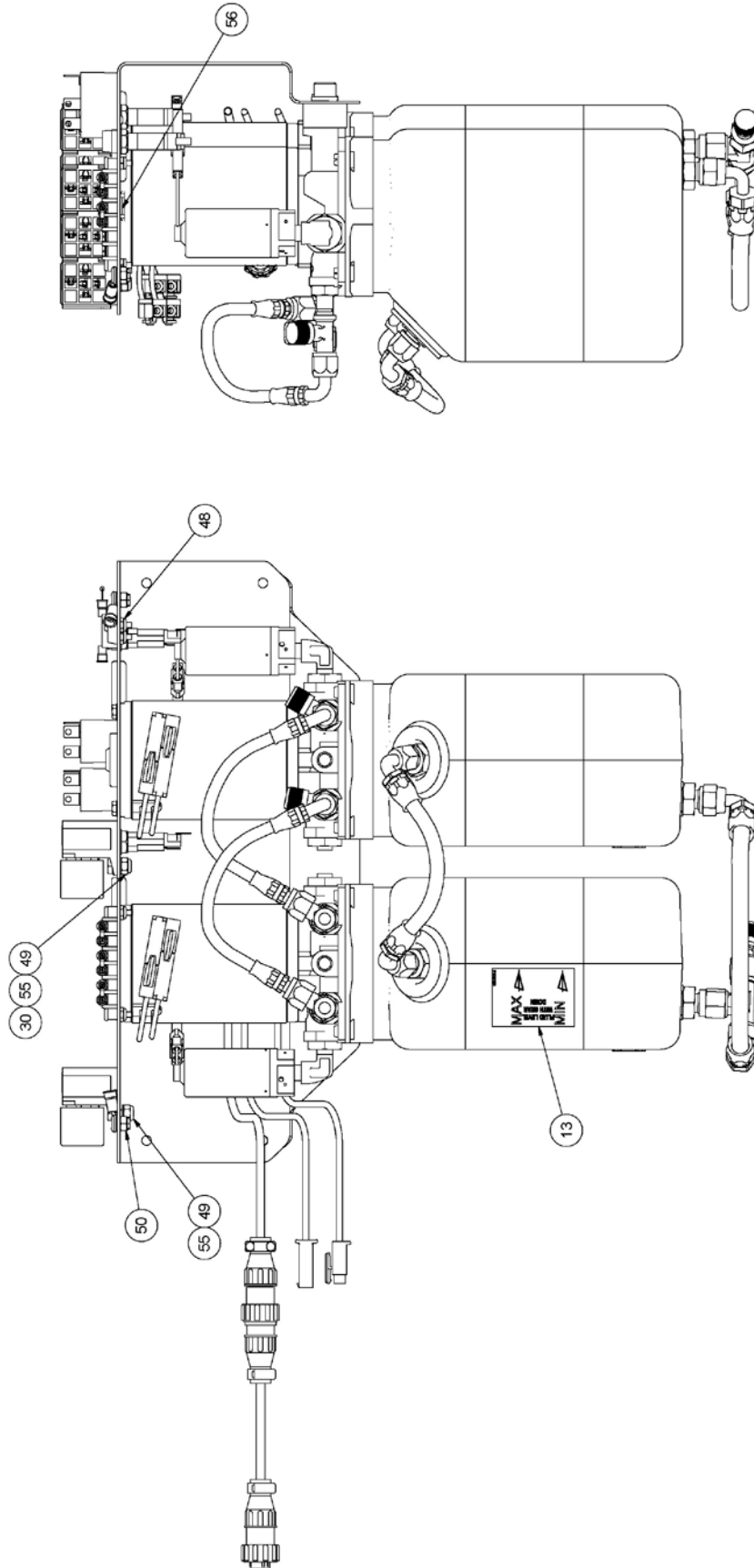
PARTS LIST			
INSTALLATION FWD STRUT FITTING, 208 & 208B			
ITEM	QTY	PART NUMBER	DESCRIPTION
	1	1006040	INSTALLATION, FWD STRUT FITTING, 208 & 208B
1	1	1006217	FITTING, STRUT, FWD, BH05, LEFT FLOAT
2	1	1006218	FITTING, STRUT, FWD, BH05, RIGHT FLOAT
3	2	1006329	SPACER, BATHTUB
4	2	1006387	COVER, TOPDECK, FITTING, BH04 & BH05
5	2	1006388	COVER, TOPDECK, BH04 & BH05
6	1	1006473	FITTING, STRUT, FWD, BH04, LEFT FLOAT
7	1	1006474	FITTING, STRUT, FWD, BH04, RIGHT FLOAT
8	2	1008115	COVER, SIDESKIN FITTING CUTOUT, 8750 BH05
9	2	1008117	COVER, SIDESKIN FITTING CUTOUT, 8750 BH04
10	1	1008122	TEMPLATE, 8750-208B STRUT FITTING CUTOUT
11	1	1008123	TEMPLATE, 8750-208 STRUT FITTING CUTOUT
12	16	AN6-16A	BOLT, 3/8-24, 1.1875 GRIP, UNDRILLED, STEEL
13	16	AN6-17A	BOLT, 3/8-24, 1.3125 GRIP, UNDRILLED, STEEL
14	6	AN6-20A	BOLT, 3/8-24, 1.438 GRIP, UNDRILLED, STEEL
15	6	AN6-24A	BOLT, 3/8-24, 1.9375 GRIP, UNDRILLED, STEEL
16	44	MS21044N6	NUT, LOCKING, REGULAR HEIGHT, 3/8-24 UNF
17	44	NAS1149D0616J	WASHER, 0.39 ID, 0.016 THK, ALUMINUM
18	44	NAS1149D0663J	WASHER, 0.39 ID, 0.063 THK, ALUMINUM

THIS PAGE INTENTIONALLY LEFT BLANK

## **SECTION 11: HYDRAULIC SYSTEM**

## ASS'Y., HYDRAULIC PUMP





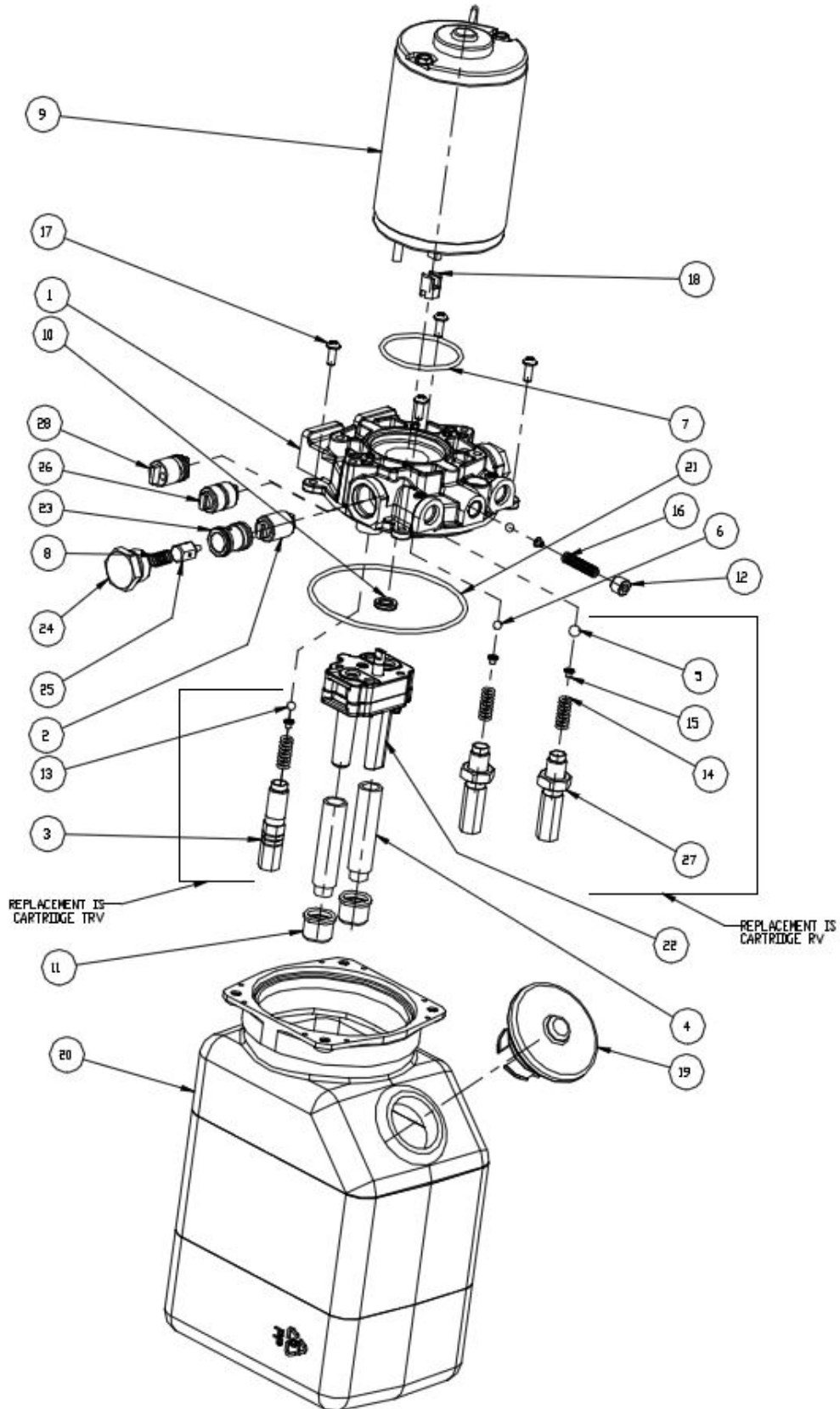
ASSEMBLY, HYDRAULIC PUMP  
(RIGHT SIDE VIEW)

PARTS LIST HYDRAULIC PUMP ASSEMBLY			
ITEM	QTY	PART NUMBER	DESCRIPTION
	1	1004397	ASM, HYD POWER PACK, 24V, DUAL PUMP, BI-DI
1	6	0-332-209-211	RELAY, 24V, 5 PRONG
2	4	02-09-1104	PIN, CRIMP FEMALE, 1/8" DIA
3	4	02-09-2118	PIN, CRIMP MALE, 1/8" DIA
4	2	03-09-1022	CONNECTOR PLUG, MALE, 2 CONN.
5	2	03-092022	CONNECTOR PLUG, FEMALE
6	30	1-901-355-917	TERMINAL
7	1	1004089-16	HYDRAULIC HOSE, RESERVOIR, TOP
8	2	1004089-17	HYDRUALIC HOSE ASSEMBLY
9	1	1004089-18	HYDRAULIC HOSE
10	1	1004390	SPACER,MOUNT, HYDRAULIC PUMP
11	1	1004391	PLATE, MOUNT, HYDRAULIC PUMP
12	4	1004514	RETAINER, HYDRAULIC TANK VENT
13	1	1004663-2	PLACARD, FLUID LEVEL
14	1	1004949	CABLE, DIODE ADAPTOR
15	1	1005043	TIMER RELAY HARNESS
16	5	1N4004	DIODE, 2-1/2"
17	1	206062-3	CLAMP, CABLE, CPC SIZE 11
18	1	206429-1	PLUG, MALE, CPC SIZE 1, 4 PIN
19	12FT	22759-16-12-9	WIRE, 12 AWG, WHITE
20	16FT	22759-16-20-9	WIRE, 20 AWG, WHITE
21	5	2601048-200	HOUSING CONNECTOR ASSEMBLY
22	2	3453LF2A	FUSE HOLDER
23	2	6-140	TERMINAL BLOCK, 6 CONNECTOR
24	2	648487	PUMP, HYD., REVERSIBLE, 24VDC
25	3	66099-4	PIN, MALE, 1/16 DIA, CRIMP
26	4	820-01291	CAP
27	1	925106ERL	FITTING
28	2	93783A033	SEALING WASHER
29	2	AGC-1	FUSE, 250V, (S2565-1)
30	3	AN3-3A	BOLT
31	3	AN3-4A	BOLT
32	2	AN526-1032R6	SCREW, MACHINE
33	4	AN526-632R10	SCREW
34	4	AN804-4D	TEE FITTING
35	1	AN818-6D	NUT - COUPLING
36	2	AN832-5D	UNION -5D
37	2	AN914-1D	ELBOW,90°, PIPE
38	2	AN919-7D	FITTING, REDUCER
39	4	AN924-4D	JAM NUT
40	4	AN924-5D	JAM NUT
41	2	AN929-4	CAP



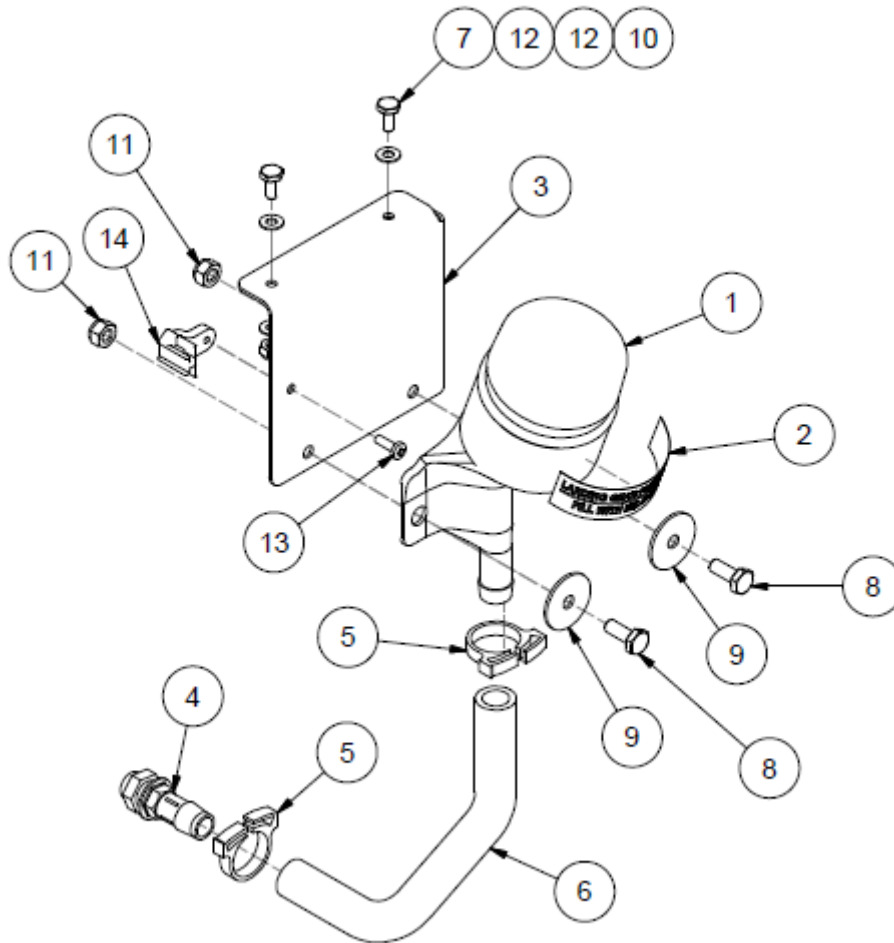
PARTS LIST HYDRAULIC PUMP ASSEMBLY			
42	6	BR05FW	SOCKET, 5 PRONG, PLASTIC
43	1	GPP1250-23	PRESSURE SWITCH
44	1	GPP1250-40	PRESSURE SWITCH
45	2FT	HS105-3/16-0	HEAT SHRINK, TUBING, BLACK
46	2	MS16997-96	SOCKET HEAD CAP SCREW
47	2	MS16997-100	SOCKET HEAD CAP SCREW
48	4	MS21044N06	NUT
49	6	MS21044N3	NUT
50	2	MS21045-3	NUT, SELF LOCKING
51	2	MS27769-2	PLUG
52	4	MS28778-4	"O" RING
53	4	MS35338-46	WASHER, SPLIT
54	2	MS35489-19	GROMMET, RUBBER
55	12	NAS1149F0332P	WASHER, 0.203 ID, 0.032 THK, STEEL
56	8	NAS1149F0363P	WASHER
57	1	NAS1564D6-4	FITTING, REDUCER
58	19	R-3	RING CONNECTOR
59	2	Y-4	RING CONNECTOR
60	2	1009144-01	PLACARD, CR INDICATOR
61	2	1009143-01	PLACARD, K1 INDICATOR
62	2	1009143-02	PLACARD, K2 INDICATOR
63	2	1009143-03	PLACARD, K3 INDICATOR
64	2	1009144-02	PLACARD, AC INDICATOR
65	1	B-3	RING CONNECTOR

### HYDRAULIC PUMP, REVERSIBLE, 24VDC



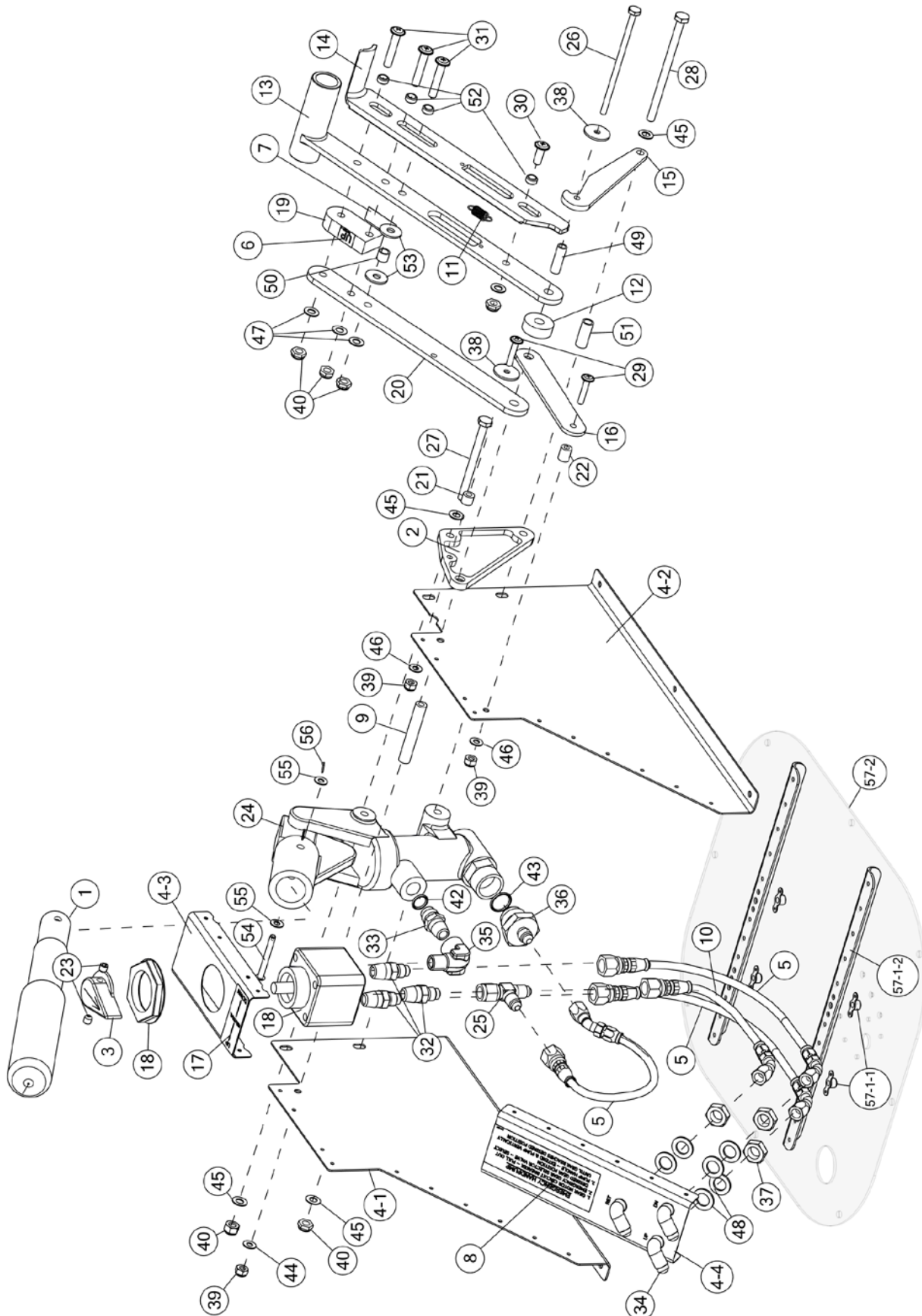
Parts List			
HYDRAULIC PUMP, REVERSIBLE, 24VDC			
ITEM	QTY	PART NUMBER	DESCRIPTION
	1	648487	PUMP HYDRAULIC, REVERSIBLE, 24VDC
1	1	205882	ADAPTER
3		N/A	PART OF THERMAL RV CARTRIDGE
4	2	364528	SUCTION EXTENSION TUBE
5		N/A	PART OF RELIEF VALVE CARTRIDGE
6		N/A	PART OF RELIEF VALVE CARTRIDGE
7	1	405673	MOTOR O-RING
8	2	410462	SPRING (POPPET)
9	1	411165	MOTOR, 24 VDC, PERM. MAGNET
10	1	410512	SHAFT SEAL
11	2	410521	SUCTION STRAINER
12	1	410530	PLUG FOR BACK PRESSURE VALVE
13		N/A	PART OF RELIEF VALVE CARTRIDGE
14		N/A	PART OF RELIEF VALVE CARTRIDGE
15		N/A	PART OF RELIEF VALVE CARTRIDGE
16	1	411874	SPRING FOR BACK PRESSURE VALVE
17	4	413222	SCREW, RESERVOIR MOUNTING
18	1	413528	COUPLING
19	1	413742	BREATHER CAP RESERVOIR
20	1	413922	RESERVOIR, Q, 2 LITER
21	1	414063	O-RING, RESERVOIR SEAL
22	1	635354	PUMP, .032, REVERSIBLE, COLD TEMP.
22A	2	406187	SCREW, PUMP MOUNTING (NOT SHOWN)
23	2	773763	CHECK SEAT
24	2	774550	HEX PLUG RETAINER, WITH 1/8" NPSF CONNECTION
25	2	773776	POPPET
26		N/A	N/A
27		N/A	PART OF RELIEF VALVE CARTRIDGE
28	1	774376	SPOOL, DOUBLE BACK PRESSURE LD
THERMAL RV	2	704522	THERMAL RV CARTRIDGE – SPECIFY PRESSURE SETTING AT 1900 PSI
RELIEF VALVE	2	704517	RELIEF VALVE CARTRIDGE – SPECIFY PRESSURE SETTING OF 1400 +150/-0 PSI FOR UP SIDE: SPECIFY 1100 +150/-0 PSI DN SIDE
		634412	SEAL KIT (FITS ALL)

## ASS'Y., HYDRAULIC PUMP FILL SYSTEM



PARTS LIST ASS'Y., HYDRAULIC PUMP FILL SYSTEM			
ITEM	QTY	PART NUMBER	DESCRIPTION
1	2	066023	FILLER SPOUT
2	2	1004663-1	PLACARD, HYDRAULIC PUMP, FILL LOCATION
3	1	1005947	HYDRAULIC FILLER BRACKET, C208
4	2	2974K861	FITTING
5	4	57134	CLAMP
6	1	60703_1	BRAIDED TUBING
7	5	AN3-3A	BOLT
8	4	AN4-5A	BOLT
9	4	AN970-4	WASHER,.265 ID, 1.125 OD, .063 THK
10	8	MS21044N3	NUT, LOCKING, REGULAR HEIGHT, 10-32 UNF
11	4	MS21044N4	NUT, LOCKING, REGULAR HEIGHT, 1/4-28 UNF
12	16	NAS1149F0332P	WASHER, 0.203 ID, 0.032 THK, STEEL
13	2	S1021Z8-8	SCREW
14	2	S2034-1	MOUNT

### ASS'Y., HYDRAULIC HANDPUMP



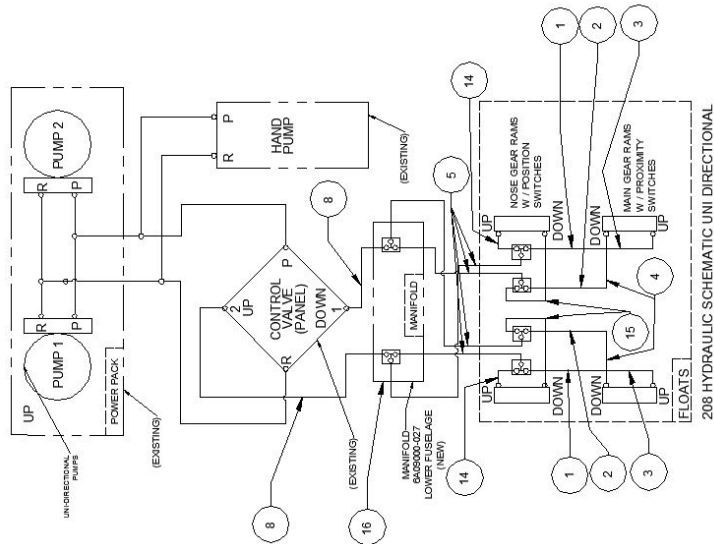
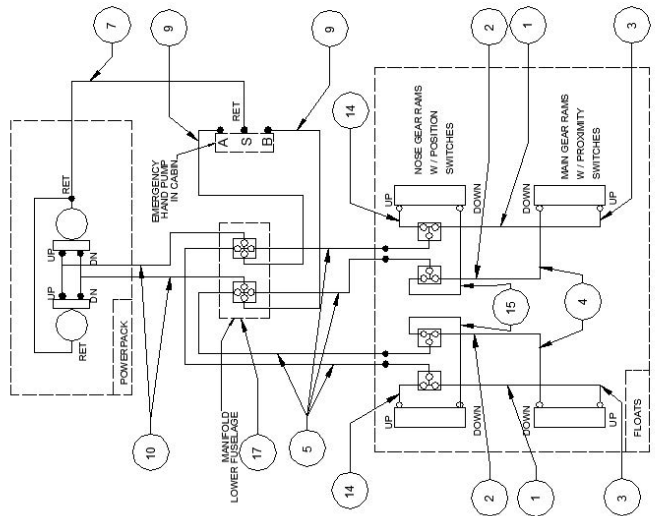
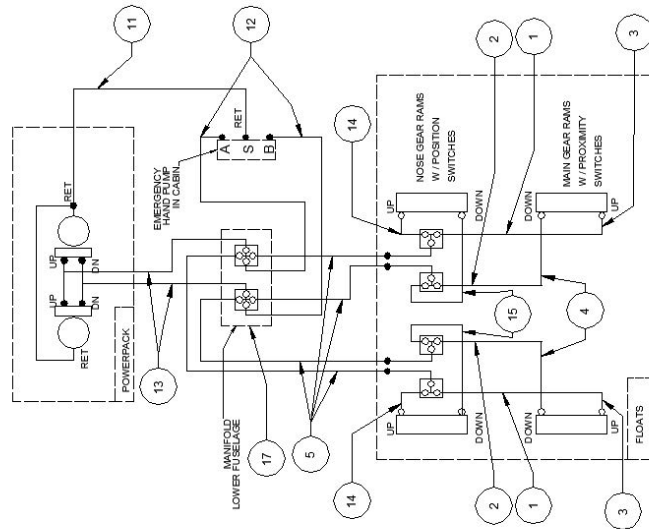
PARTS LIST			
1005706 HYDRAULIC HANDPUMP ASSEMBLY			
ITEM	QTY	PART NUMBER	DESCRIPTION
1	1	1002838	Hand Pump Handle
2	1	1004072	Pump Lever Bracket
3	1	1004073	Pump Assembly Knob
4	1	1004470	Hand Pump Housing Assembly
4-1	1	1004068	Pump Left Side Mount
4-2	1	1004069	Pump Right Side Mount
4-3	1	1004070	Pump Cover Top
4-4	1	1004071	Pump Cover Front
5	3	1004626	Hand Pump Hydraulic Tube Assembly
6	1	1004657-1	Up Water Position Placard
7	1	1004657-2	Down Water Position Placard
8	1	1004814	Emergency Hand Pump Placard
9	1	1004992	Hand Pump Housing Spacer
10	1	1005030	Pump Return Hydraulic Hose Assembly
11	1	1005045	Locking Water Rudder Retract Extension Spring
12	1	1005046	Spacer
13	1	1005048	Locking Water Rudder Retract Handle
14	1	1005710	Locking Water Rudder Retract Lever
15	1	1005711	Locking Water Rudder Retract Cam
16	1	1005712	Retract Handle Retainer
17	1	10B3-6283-2	Emergency Hand Pump Gear Position
18	1	51861S6HO3P	Selector Valve and Panel Nut
19	1	8A08033-003	Retract Handle Spacer
20	1	8A08068-001	Water Rudder Lever
21	1	8A08267-006	Retract Handle Spacer
22	1	8A08267-007	Retract Handle Spacer
23	2	91375A556	Set Screw
24	1	914-8D-27	Hand Pump
25	1	926104ERL	Tee Fitting
26	1	AN3-40A	Bolt
27	1	AN4-30A	Bolt
28	1	AN4-40A	Bolt
29	2	AN525-10R16	Screw
30	1	AN525-416R11	Screw
31	3	AN525-416R22	Screw
32	3	AN816-4-4D	Adapter Fitting
33	1	AN816-6D	Adapter Fitting
34	3	AN833-4D	Flared Tube Elbow
35	1	AN914-2D	Elbow Fitting
36	1	AN919-10D	Reducer Fitting
37	3	AN924-4D	Nut
38	2	AN970-3	Large Area Washer

WIPLINE 8750 SERIES  
PARTS MANUAL

PARTS LIST ASS'Y., HYDRAULIC HANDPUMP			
39	3	MS21044N3	Nut
40	1	MS21044N4	Nut
41	5	MS21083N4	Nut
42	1	MS28775-013	O-ring
43	1	MS28775-016	O-ring
44	1	NAS1149C0332R	Washer
45	4	NAS1149C0432R	Washer
46	2	NAS1149F0332P	Washer
47	4	NAS1149F0432P	Washer
48	6	NAS1149F0763P	Washer
49	1	NAS43HT3-64	Spacer
50	1	NAS43HT4-20	Spacer
51	1	NAS43HT4-60	Spacer
52	4	NAS75-4-006	Bushing
53	2	S1450-4-12-063	Washer
54	1	MS20392-2C49	Clevis Pin (part of 1002838 assembly)
55	2	NAS1149F0332P	Washer (part of 1002838 assembly)
56	1	MS24665-132	Cotter Pin (part of 1002838 assembly)
57	1	1005713	Hand Pump Forward Center Floor Cover Assembly
57-1	2	1005705	Hand Pump Support Angle Assembly (part of 1005713)
57-1-1	2	MS21047L3	Nut Plate (part of 1005705)
57-1-2	1	1005704	Hand Pump Mount Stiffener Angle (part of 1005705)
57-2	1	1005707	Hand Pump Forward Center Floor Cover (part of 1005713)



# HYDRAULIC SCHEMATICS

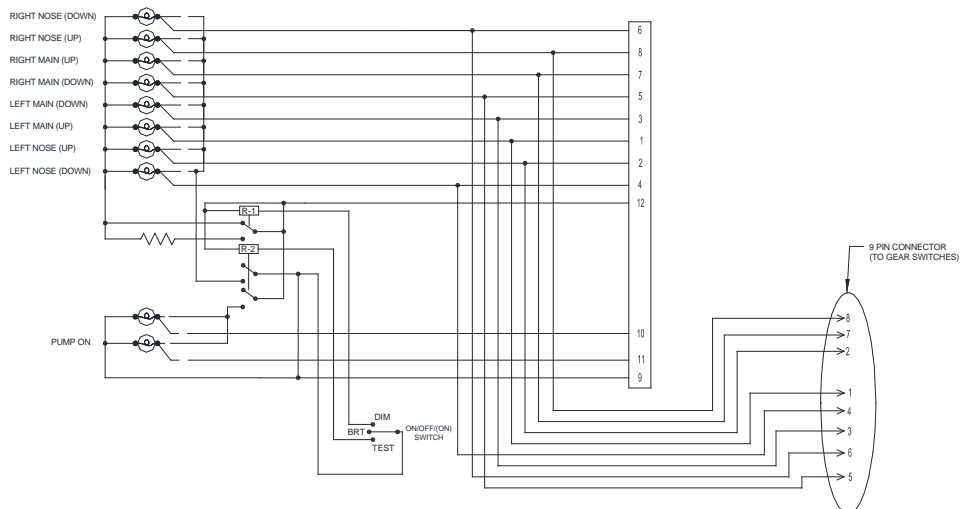
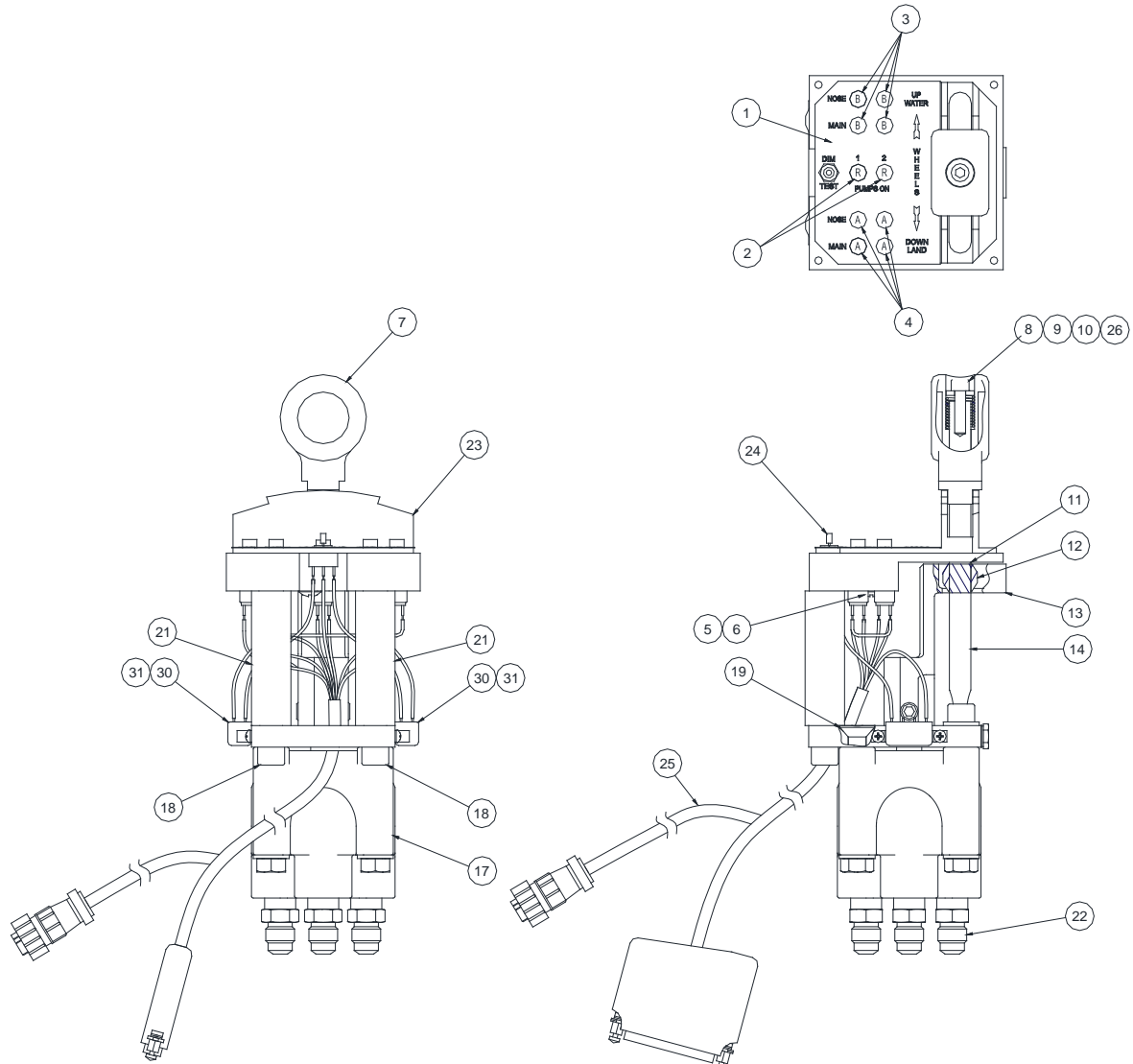


WIPLINE 8750 SERIES  
PARTS MANUAL

PARTS LIST HYDRAULIC SCHEMATICS			
ITEM	QTY	PART NUMBER	DESCRIPTION
1	2	1004089-03	MAIN - UP
2	2	1004089-04	MAIN - DOWN
3	2	1004089-05	GEAR - UP
4	2	1004089-06	GEAR - DOWN
5	4	1004089-07	MAIN TO DECK
6		1004089-08	BRAKE LINE TO A/C, 7000
7	1	1004089-19	RETURN - POWERPACK TO HAND PUMP
8	2	1004089-24	MANIFOLD TO TEE FITTING
9	2	1004089-25	HAND PUMP TO MANIFOLD
10	2	1004089-26	POWERPACK TO MANIFOLD
11	1	1004089-27	RETURN - POWERPACK TO HAND PUMP
12	2	1004089-28	HAND PUMP TO MANIFOLD
13	2	1004089-29	POWERPACK TO MANIFOLD
14	2	1004089-30	NOSE - UP, 8750
15	2	1004089-31	NOSE - DOWN, 8750
16	1	6A09000-027	MANIFOLD, HYDRAULIC
17	1	1005709	ASM, HYDAULIC MANIFOLD, 4-WAY
*	2	1004089-09	BRAKE TO STEP BULKHEAD
*	1	1004089-32	BRAKE LINE TO A/C, 8750

\*NOT SHOWN ON SCHEMATICS

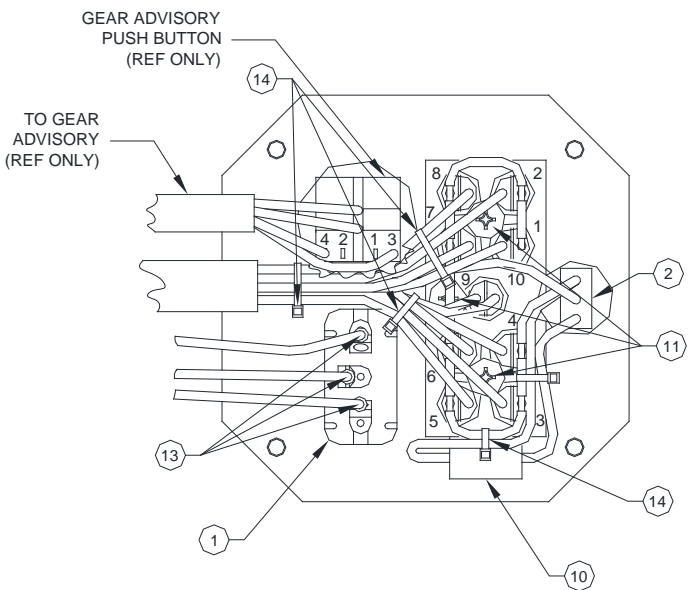
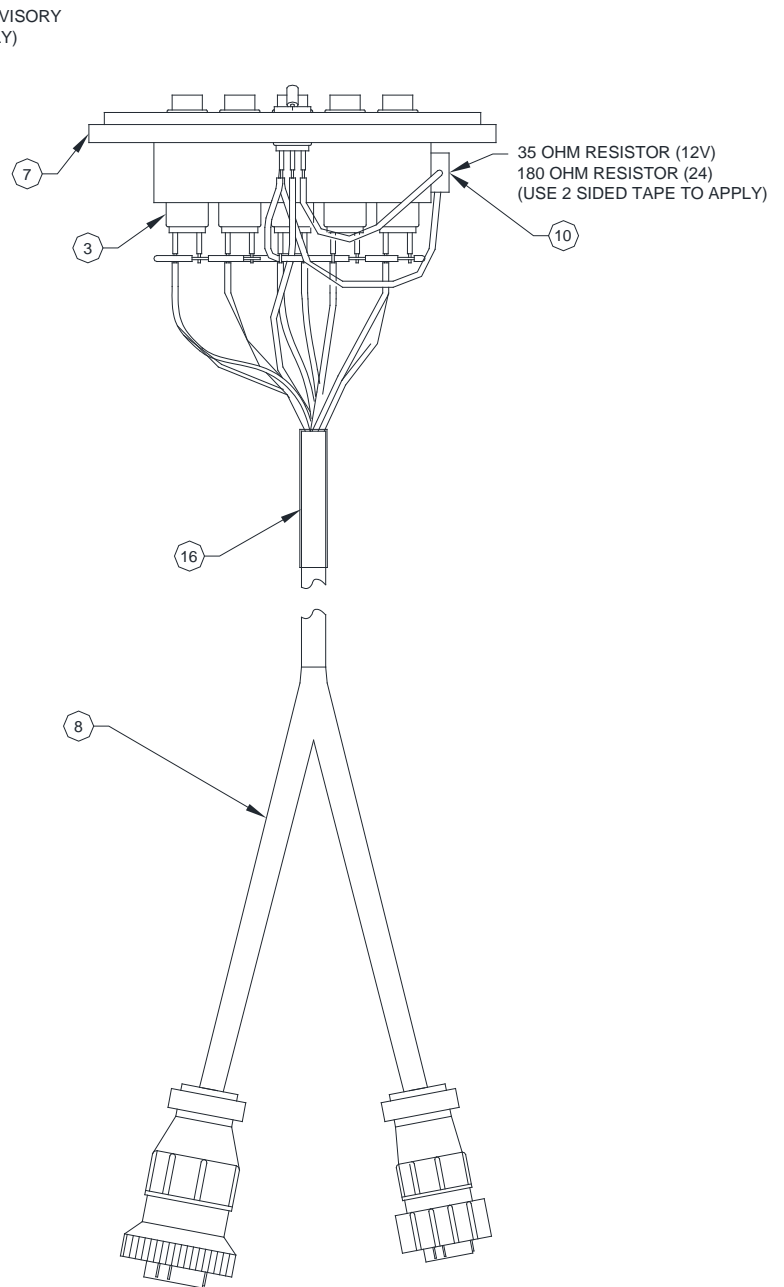
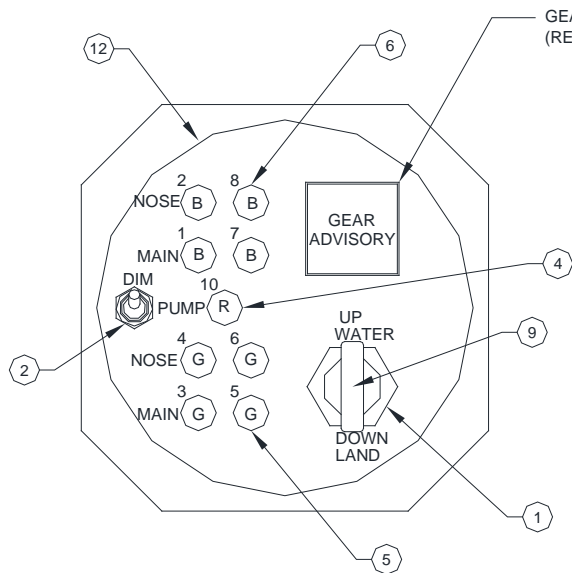
# ASS'Y., GEAR SELECTOR, (UNI-DIRECTIONAL)



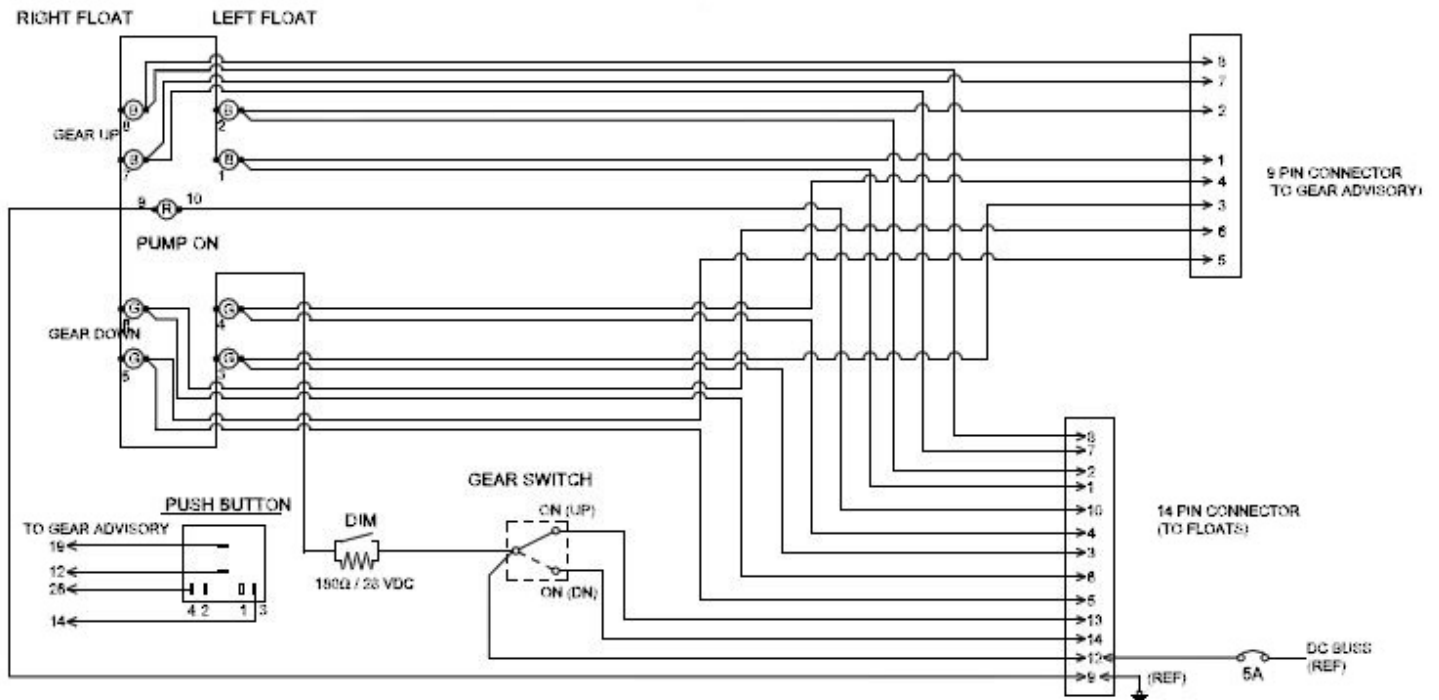
ELECTRICAL SCHEMATIC

PARTS LIST			
ASS'Y., GEAR SELECTOR, G1000 EQUIPPED (UNI-DIRECTIONAL)			
ITEM	QTY	PART NUMBER	DESCRIPTION
	1	1003214	ASSY, GEAR SLECTOR, G1000 EQUIPPED
1	1	1003216	PLACARD, GEAR SELECTOR
2	2	507-3918-1431-600	LAMP, RED 24V
3	4	507-3918-1434-600	LAMP, BLUE 24V
4	4	507-3918-1433-600	LAMP, AMBER 24V
5	10	515-0012	SOCKET
6	3	AN526-832-8	SCREW
7	1	6A11603-002	KNOB, GEAR SLECTOR
8	1	MS16996-10	CAP SCREW (SS 1032 X ½)
9	1	6A11274-002	WASHER, SELECTOR KNOB
10	1	6A09713-001	SPRING, SELECTOR, MODIFIED
11	2	NAS1149D0616J	WASHER
12	1	6A11704-001	ROLLER, CONTROL ROD
13	1	6A11032-002	LINK, HYDRAULIC CONTROL VALVE
14	1	6A11506-001	ROD, HANDLE, HYD. CONTROL VALVE
15	1	NAS6203-7	BOLT
16	2	MS16997-80	BOLT
17	1	6A09000-080	ASSY. BARKSDALE CONTROL VALVE
18	2	MS16997-88	BOLT
19	2	MS24667-40	BOLT, CSK
20	1	1003213	FITTING, HYDRAULIC CONTROL VALVE
21	2	6A11278-001	SPACER, HYDRAULIC CONTROL VALVE
22	4	AN816-5-4D	NIPPLE, FLARED TUBE AND PIPE THREAD
23	1	8A11199-006	BLOCK, HYDRAULIC CONTROL VALVE
24	1	65F1654	SWITCH, MINATURE DIM (NEWARK)
25	1	1003215	ASSY, WIRING HARNESS, GEAR SELECTOR, (G1000)
26	2	MS35333-39	WASHER, STAR
27	1	RH-5-180	RESISTOR, 28V
28	2	NAS1149F0563P	WASHER
29	1	HS105-3/32-0	HEAT SHRINK, TUBING, BLACK (3.4 FT)
30	2	3-1617029-2	RELAY
31	4	MS35206-212	SCREW

# ASS'Y., GEAR SELECTOR, (BI-DIRECTIONAL)



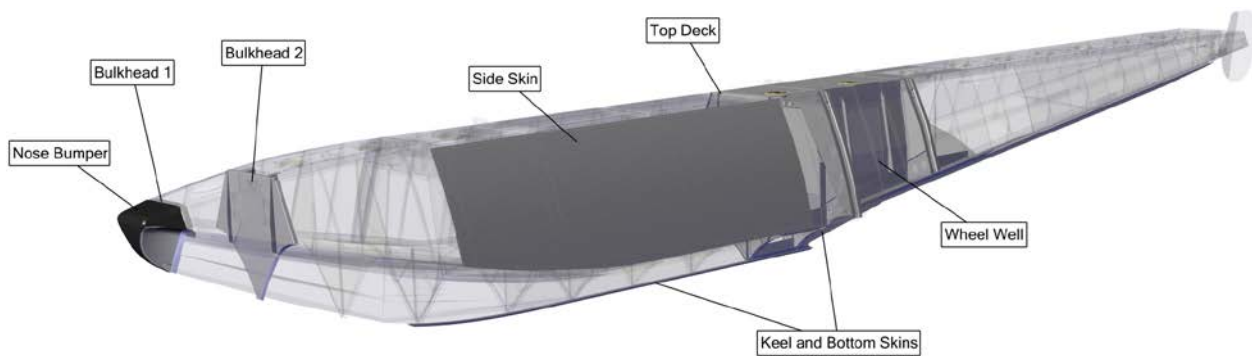
WIPLINE 8750 SERIES  
PARTS MANUAL



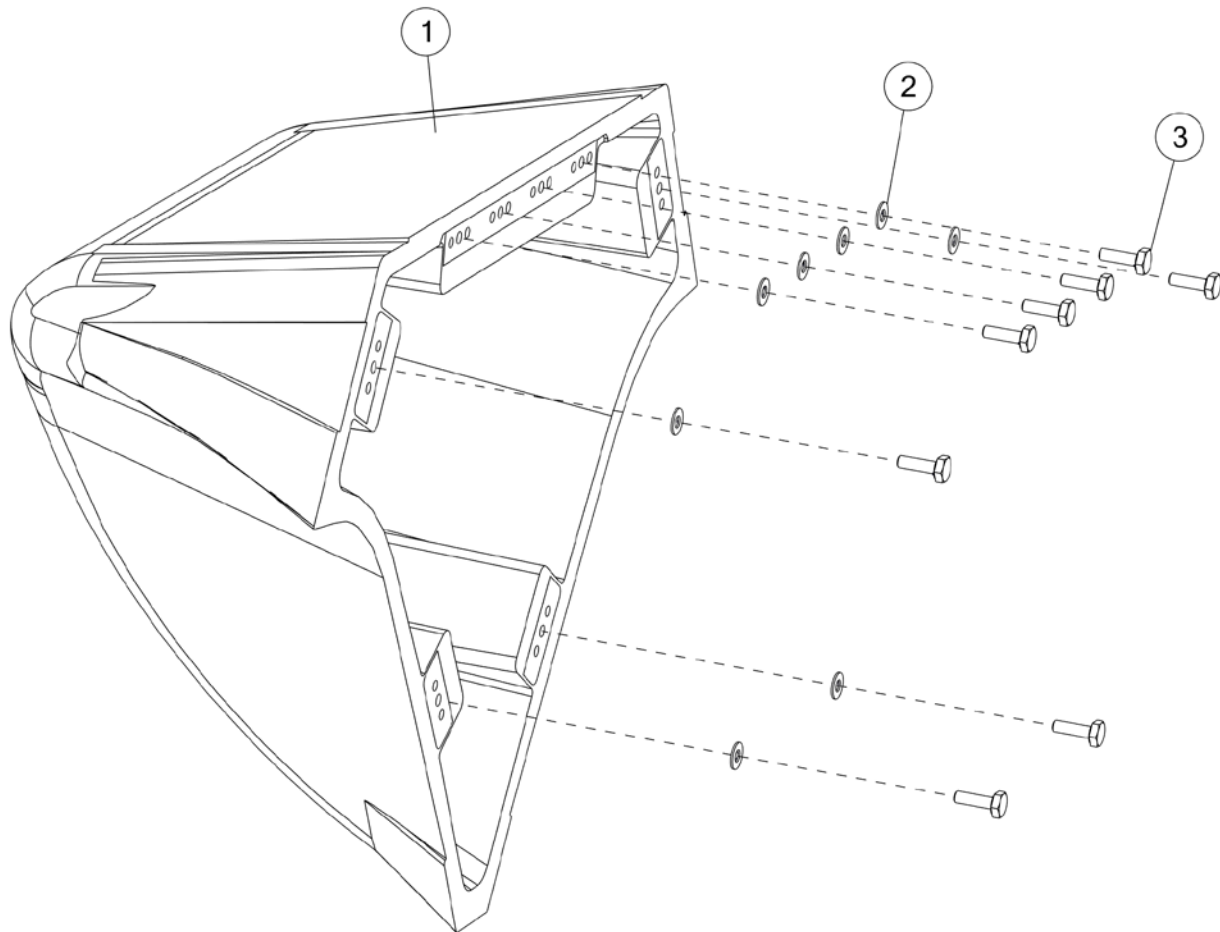
PARTS LIST			
ASS'Y., GEAR SELECTOR, (BI-DIRECTIONAL)			
ITEM	QTY	PART NUMBER	DESCRIPTION
	1	21A11000-019	ASSY., GEAR SELECTOR, ROUND (24V)
1	1	8857K44	SWITCH
2	1	A101SYCB	TOGGLE SWITCH, SPDT, ON-ON
3	9	515-0012	SOCKET
4	1	507-3918-1431-600	INDICATOR LAMP, 28V, RED
5	4	507-3918-1432-600	INDICATOR LAMP, 28V, GREEN
6	4	507-3918-1434-600	INDICATOR LAMP, 28V, BLUE
7	1	21A11179-001	BLOCK, GEAR CONTROL
8	1	4A11000-008	HARNESS ASSEMBLY, GEAR SELECTOR
9	1	21A11259-003	GEAR SWITCH KNOB
10	1	RH-5-180	RESISTOR, 28V, DALE RH5 5W
11	3	AN526-632R8	SCREW, TRUSS HEAD, 6-32
12	1	10B3-6202	PLACARD, ROUND2100 GEAR SELECTOR
13	3	R-3	RING CONNECTOR, #6, 20 AWG, RED
14	5	PLT1M-M	CABLE TIE
15	16"	HIXR-3/16	SHRINK WRAP, 3/16, WHITE
16	3"	HS105-1/2-0	HEAT SHRINK TUBING
17	6"	22759-16-20-9	WIRE, 20AWG, WHITE

## SECTION 12: 8750 STRAIGHT FLOATS

The following parts are specific to the 8750s model float. All parts not shown below share the same parts as the amphibian model float and can be found above.



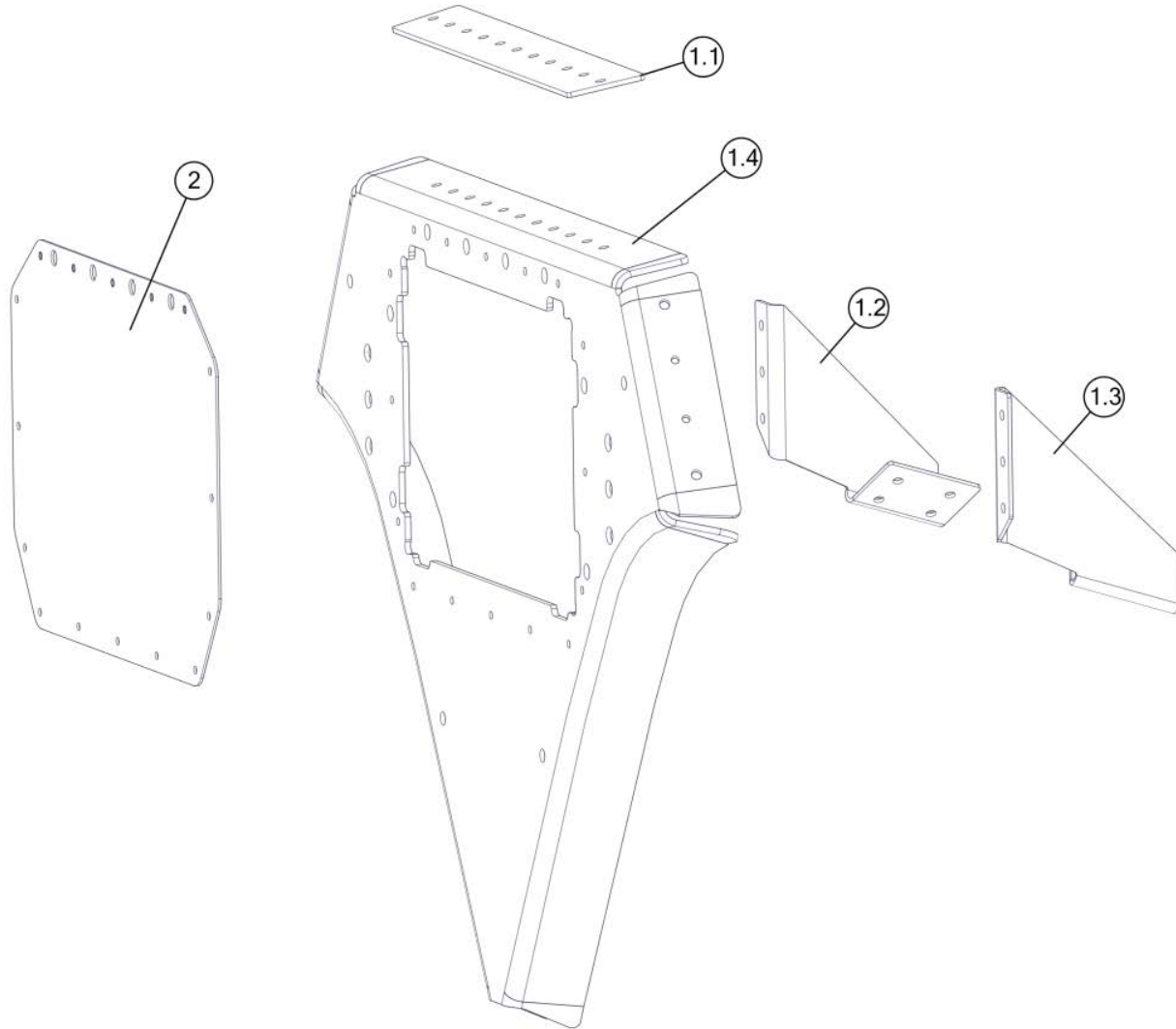
### NOSE BUMPER



PARTS LIST NOSE BUMPER			
ITEM	QTY	PART NUMBER	DESCRIPTION
1	1	1009150	ASSY, BUMPER, NOSE
-	1	1009154	ASSY, RETAINER, NUTPLATE, LARGE, NOSE BUMPER (Not sold separately)
-	4	1009153	ASSY, RETAINER, NUTPLATE, SMALL, NOSE BUMPER (Not sold separately)
2	8	NAS1149F0332P	WASHER
3	8	AN3-5A	BOLT



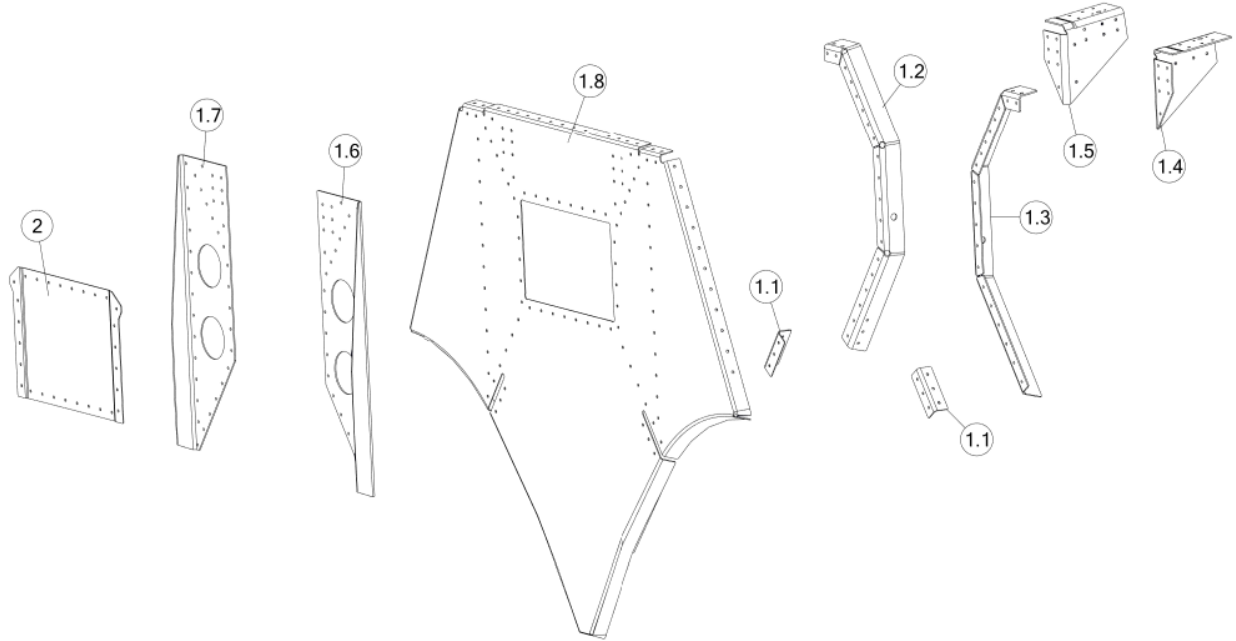
### BULKHEAD 1



#### PARTS LIST BULKHEAD 1

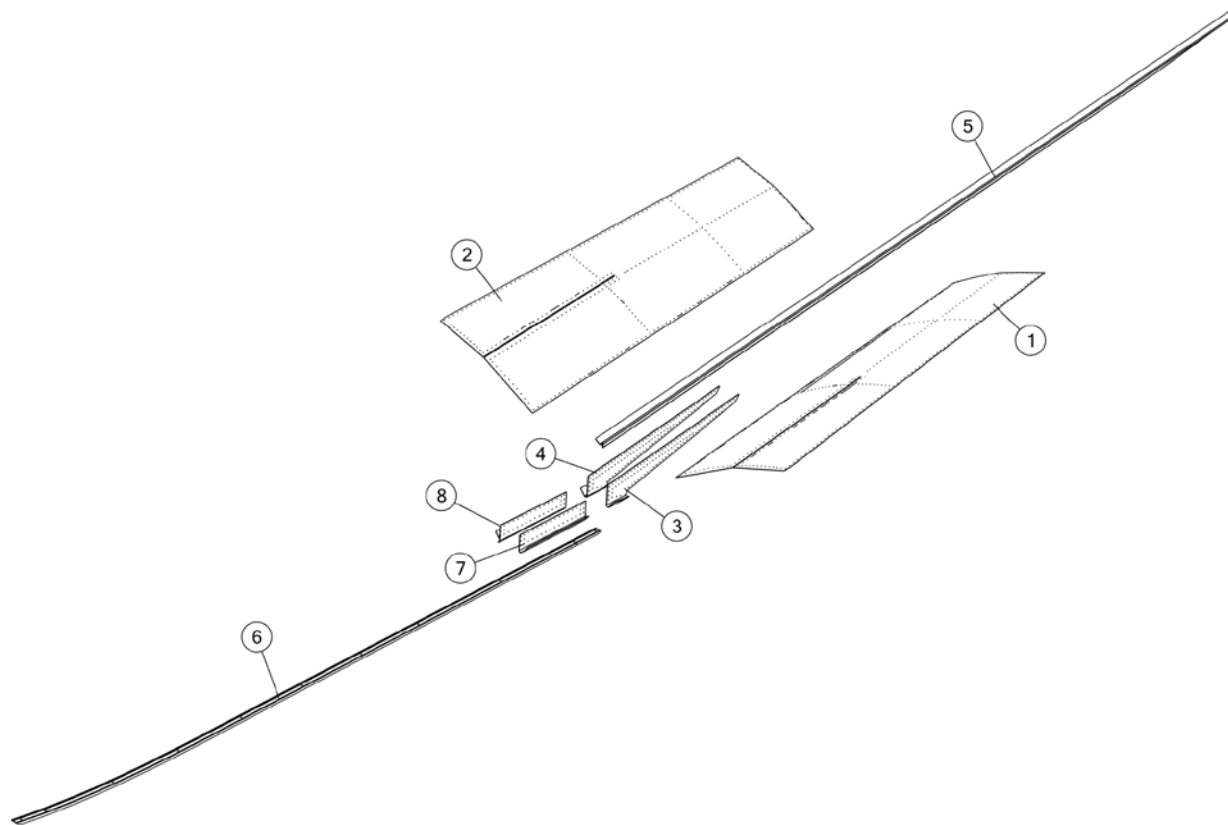
ITEM	QTY	PART NUMBER	DESCRIPTION
1	1	1006649	ASSY, BULKHEAD 1
1.1	1	1003143	SPACER, TOP SKIN, BULKHEAD 1
1.2	1	1003663	BRACKET, RH, SISTER KEEL, BULKHEAD 1
1.3	1	1003664	BRACKET, LH, SISTER KEEP, BULKHEAD 1
1.4	1	1006608	PANEL, BULKHEAD 1
2	1	1006645	COVER, BULKHEAD 1

## BULKHEAD 2



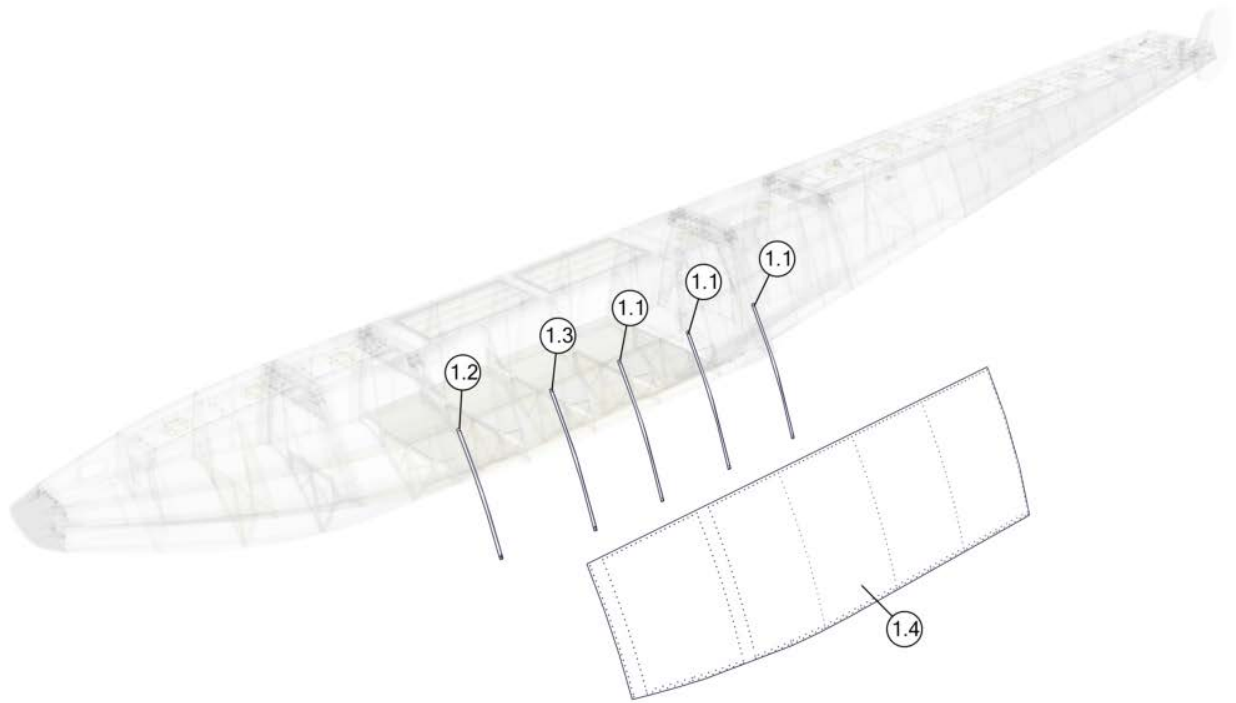
PARTS LIST BULKHEAD 2			
ITEM	QTY	PART NUMBER	DESCRIPTION
1	1	1006646	BULKHEAD 2 ASSEMBLY
1.1	2	1003694	CLEAT, BULKHEAD 2
1.2	1	1003730	SUPPORT, NOSE BOX, RH, BULKHEAD 2
1.3	1	1003731	SUPPORT, NOSE BOX, LH, BULKHEAD 2
1.4	1	1006136	GUSSET, RAIL, LEFT, BULKHEAD 2
1.5	1	1006137	GUSSET, RAIL, RIGHT, BULKHEAD 2
1.6	1	1006138	STIFFENER, NOSE BOX SUPPORT, LEFT, BULKHEAD 2
1.7	1	1006139	STIFFENER, NOSE BOX SUPPORT, RIGHT, BULKHEAD 2
1.8	1	1006609	PANEL, BULKHEAD 2
2	1	1006647	COVER, BULKHEAD 2

## KEEL AND BOTTOM SKINS



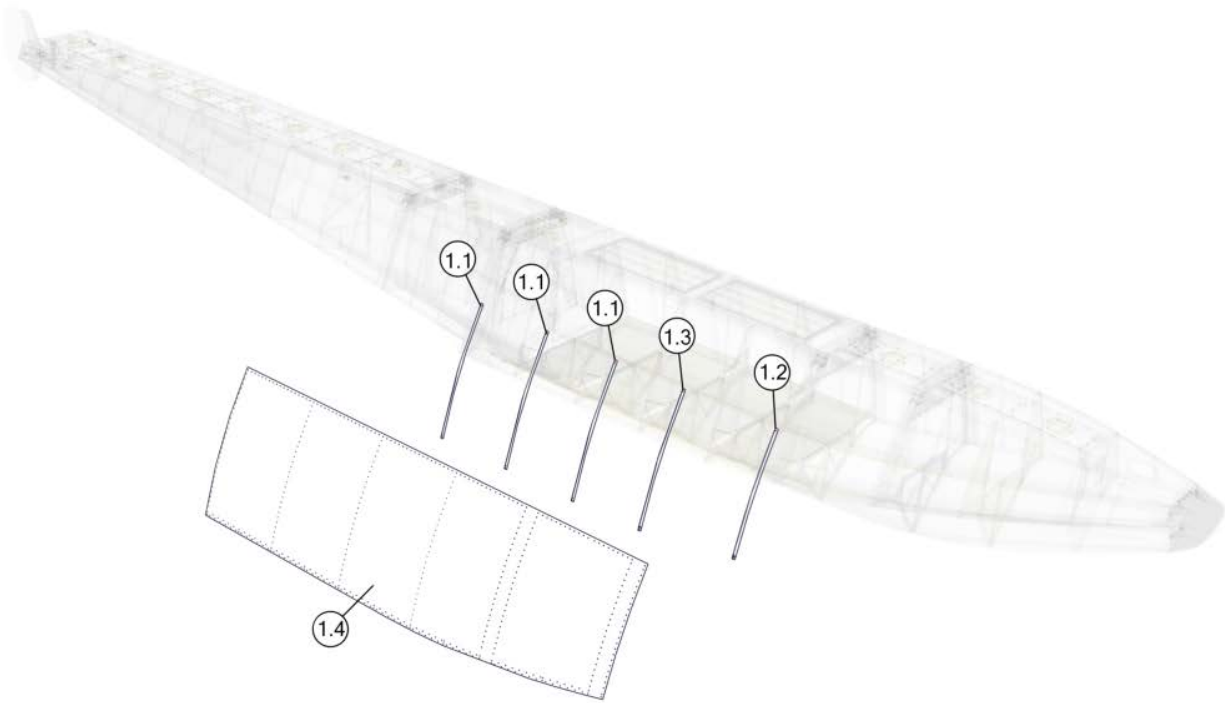
PARTS LIST KEEL AND BOTTOM SKINS			
ITEM	QTY	PART NUMBER	DESCRIPTION
1	1	1006636	SKIN, BOTTOM, LH, BULKHEAD 10-13
2	1	1006637	SKIN, BOTTOM, RH, BULKHEAD 10-13
3	1	1006634	DOUBLER, SKEG PLATE, LH
4	1	1006635	DOUBLER, SKEG PLATE, RH
5	1	1006639	KEEL, MAIN, AFT
6	1	1006640	WEAR STRIP, KEEL, MAIN
7	1	1009211	DOUBLER, SKEG, FWD, LH
8	1	1009212	DOUBLER, SKEG, FWD, RH

## SIDE SKIN – LEFT FLOAT



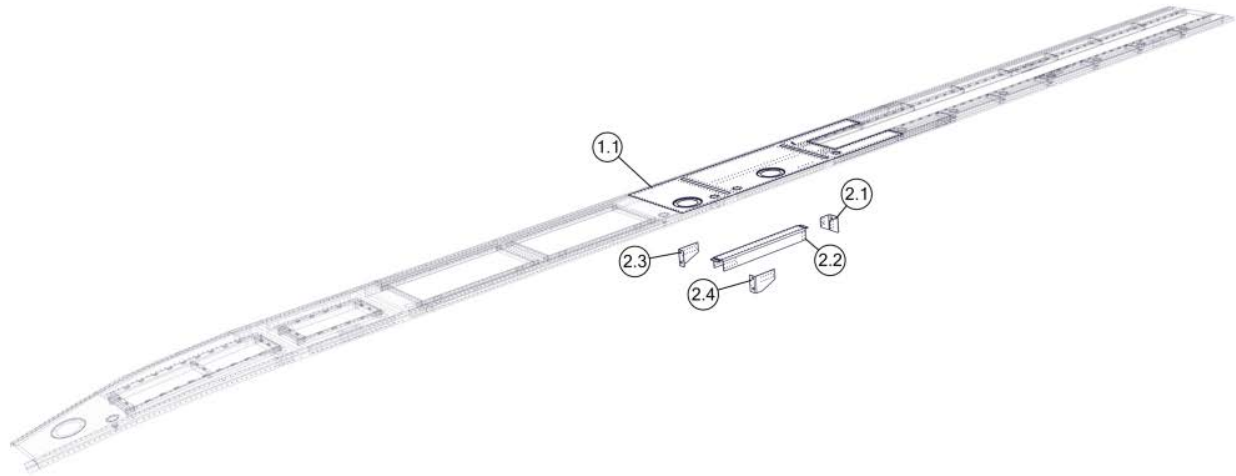
PARTS LIST SIDE SKIN – LEFT FLOAT			
ITEM	QTY	PART NUMBER	DESCRIPTION
1	1	1009285	ASSEMBLY, SKIN, SIDE, OUTBOARD, BULKHEAD 4-9, LEFT FLOAT
1.1	3	1003577	STIFFENER, SIDE SKIN, LEFT
1.2	1	1006140	STIFFENER, SIDE SKIN, LEFT
1.3	1	1006142	STIFFENER, SIDE SKIN, LEFT
1.4	1	1009283	SKIN, SIDE, OUTBOARD, BULKHEAD 4-9

## SIDE SKIN – RIGHT FLOAT



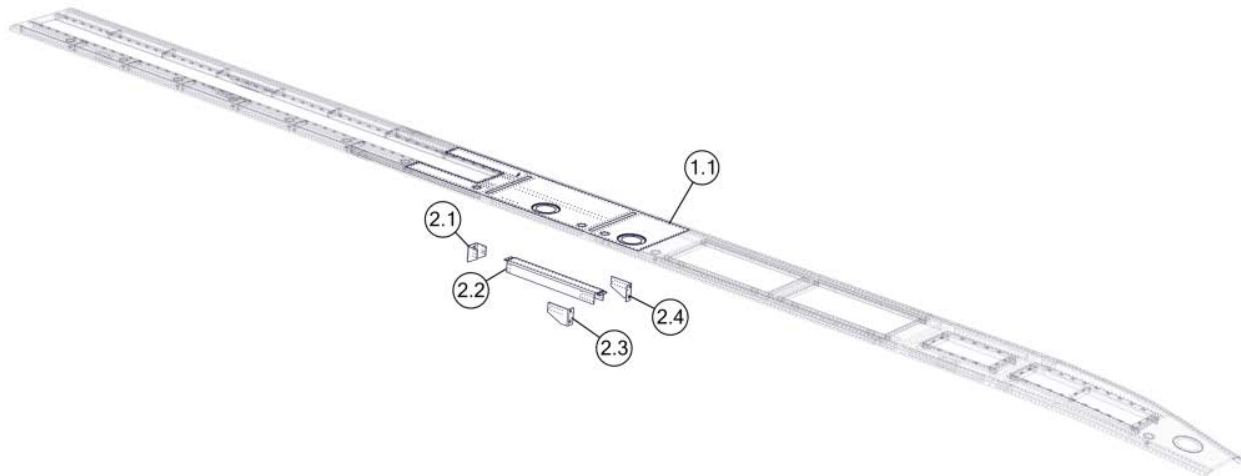
PARTS LIST SIDE SKIN – RIGHT FLOAT			
ITEM	QTY	PART NUMBER	DESCRIPTION
1	1	1009286	ASSEMBLY, SKIN, SIDE, OUTBOARD, BULKHEAD 4-9, RIGHT FLOAT
1.1	3	1003578	STIFFENER, SIDE SKIN, RIGHT
1.2	1	1006141	STIFFENER, SIDE SKIN, RIGHT
1.3	1	1006143	STIFFENER, SIDE SKIN, RIGHT
1.4	1	1009283	SKIN, SIDE, OUTBOARD, BULKHEAD 4-9

## TOP DECK – LEFT FLOAT



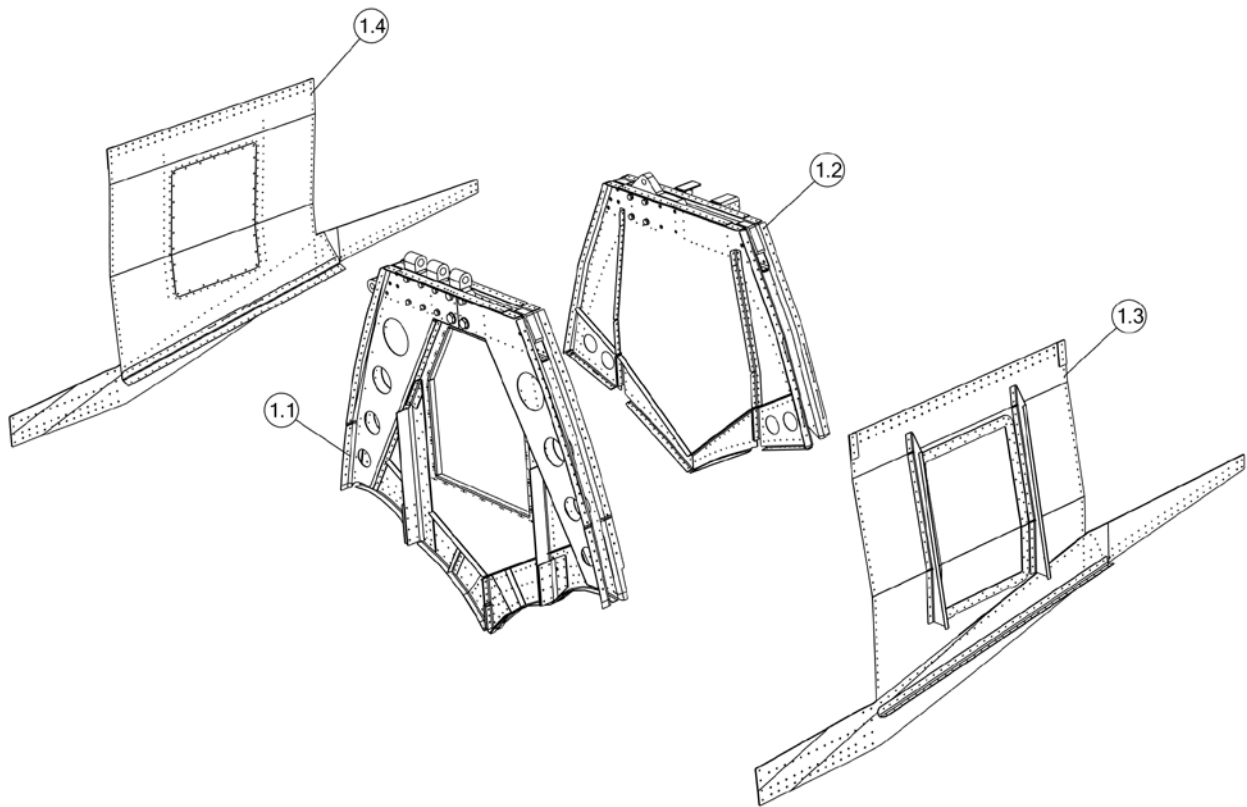
PARTS LIST TOP DECK – LEFT FLOAT			
ITEM	QTY	PART NUMBER	DESCRIPTION
1	1	1006602	ASSEMBLY, TOP DECK, LEFT FLOAT
1.1	2	1006612	SKIN, TOP, WHEEL WELL, LEFT FLOAT
*Refer to the amphibian top deck assembly section for the remaining shaded components in assembly 1006602			
2	1	1009297	ASSEMBLY, CHANNEL, TOP DECK, WHEEL WELL, LEFT FLOAT
2.1	1	1004002	MOUNT, LH, CHANNEL, GEAR
2.2	1	1006623	CHANNEL, TOP DECK, WHEEL WELL
2.3	1	1009312	BRACKET, RH, CHANNEL, TOP DECK, WHEEL WELL
2.4	1	1009313	BRACKET, LH, CHANNEL, TOP DECK, WHEEL WELL

## TOP DECK – RIGHT FLOAT



PARTS LIST TOP DECK – RIGHT FLOAT			
ITEM	QTY	PART NUMBER	DESCRIPTION
1	1	1006603	ASSEMBLY, TOP DECK, RIGHT FLOAT
1.1	2	1006613	SKIN, TOP, WHEEL WELL, RIGHT FLOAT
*Refer to the amphibian top deck assembly section for the remaining shaded components in assembly 1006603			
2	1	1009298	ASSEMBLY, CHANNEL, TOP DECK, WHEEL WELL, RIGHT FLOAT
2.1	1	1004003	MOUNT, RH, CHANNEL, GEAR
2.2	1	1006623	CHANNEL, TOP DECK, WHEEL WELL
2.3	1	1009312	BRACKET, RH, CHANNEL, TOP DECK, WHEEL WELL
2.4	1	1009313	BRACKET, LH, CHANNEL, TOP DECK, WHEEL WELL

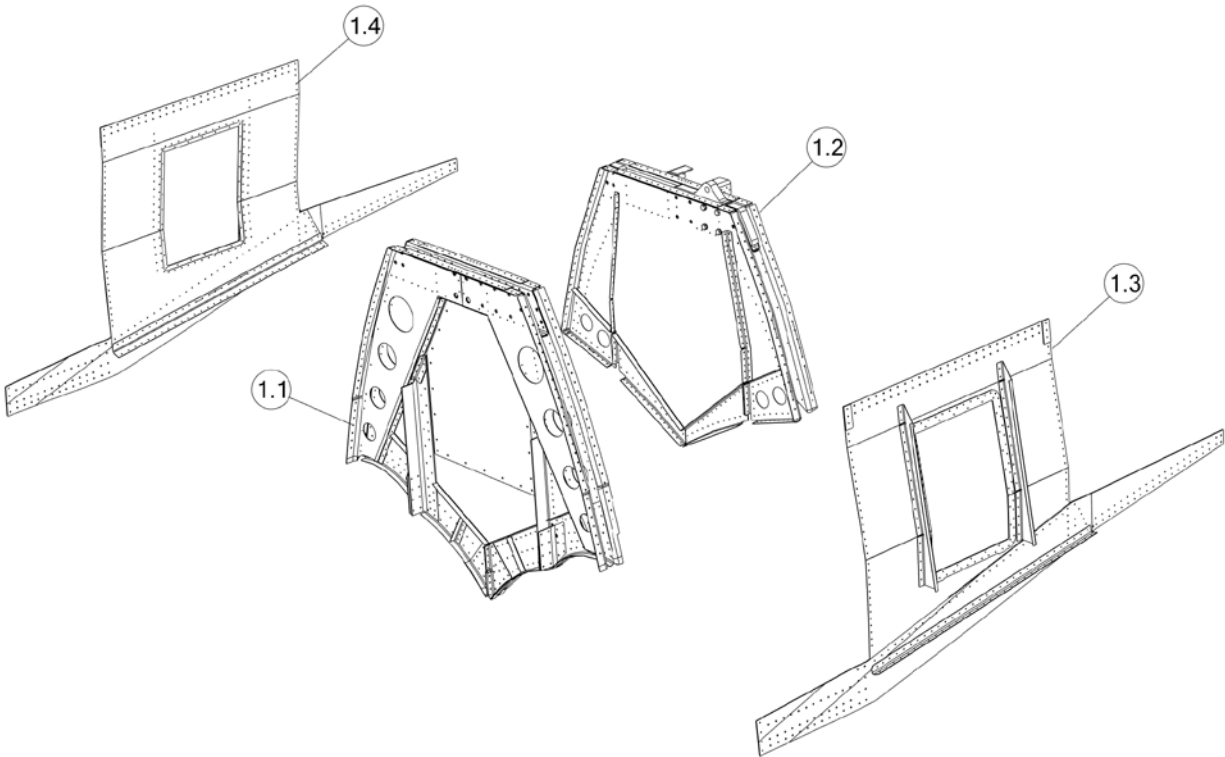
## WHEEL WELL – LEFT FLOAT



PARTS LIST			
1006600 WHEEL WELL – LEFT FLOAT			
ITEM	QTY	PART NUMBER	DESCRIPTION
1	1	1006600	ASSEMBLY, WHEEL WELL, LEFT FLOAT
1.1	1	1006604	ASSEMBLY, BULKHEAD 10, LEFT FLOAT
1.2	1	1006606	ASSEMBLY, BULKHEAD 11, LEFT FLOAT
1.3	1	1006643	ASSEMBLY, PANEL, WHEEL WELL, LH
1.4	1	1006644	ASSEMBLY, PANEL, WHEEL WELL, RH

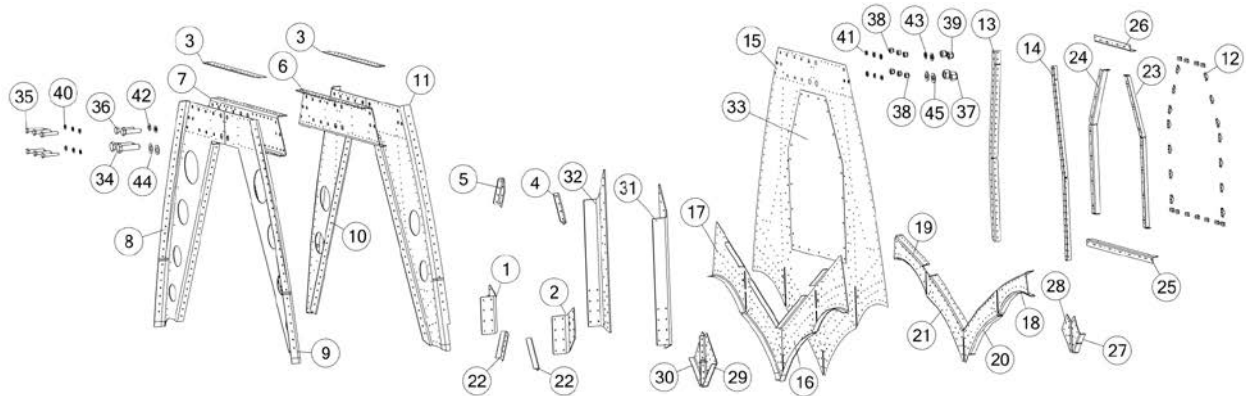


## WHEEL WELL – RIGHT FLOAT



PARTS LIST			
1006601 WHEEL WELL – RIGHT FLOAT			
ITEM	QTY	PART NUMBER	DESCRIPTION
1	1	1006601	ASSEMBLY, WHEEL WELL, RIGHT FLOAT
1.1	1	1006605	ASSEMBLY, BULKHEAD 10, RIGHT FLOAT
1.2	1	1006607	ASSEMBLY, BULKHEAD 11, RIGHT FLOAT
1.3	1	1006643	ASSEMBLY, PANEL, WHEEL WELL, LH
1.4	1	1006644	ASSEMBLY, PANEL, WHEEL WELL, RH

## ASSEMBLY, BULKHEAD 10 - LEFT FLOAT

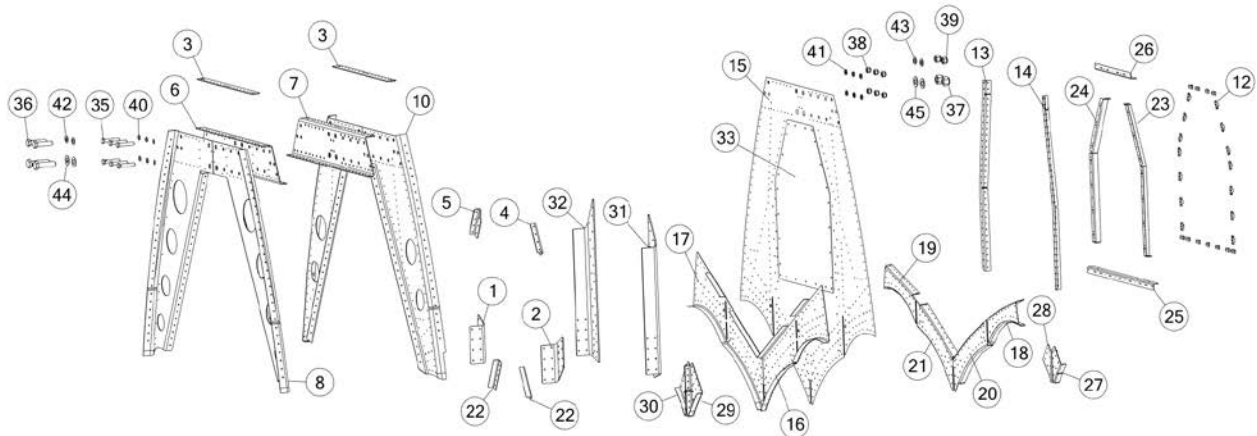


PARTS LIST			
1006604 ASSEMBLY, BULKHEAD 10 - LEFT FLOAT			
ITEM	QTY	PART NUMBER	DESCRIPTION
1	1	1002736	ANGLE, FWD FLUTE, RH, BULKHEAD 10
2	1	1002737	ANGLE, FWD FLUTE, LH, BULKHEAD 10
3	2	1002748	SPACER, SUPERPANEL
4	1	1003105	CLEAT, SUPERPANEL, LH, BULKHEAD 10
5	1	1003108	CLEAT, SUPERPANEL, RH, BULKHEAD 10
6	1	1006292	BRACE, SUPERPANEL, FWD, BULKHEAD 10
7	1	1006294	BRACE, SUPERPANEL, AFT, BULKHEAD 10
8	1	1006310	LEG, SUPERPANEL, FWD, INBOARD, BULKHEAD 10
9	1	1006312	LEG, SUPERPANEL, FWD, OUTBOARD, BULKHEAD 10
10	1	1006314	LEG, SUPERPANEL, AFT, INBOARD, BULKHEAD 10
11	1	1006316	LEG, SUPERPANEL, AFT, OUTBOARD, BULKHEAD 10
12	25	1006420-01	NUTPLATE, NYLON, 8-32
13	1	1006505	MOUNT, PANEL, RIGHT, FWD, WHEEL WELL
14	1	1006506	MOUNT, PANEL, LEFT, FWD, WHEEL WELL
15	1	1006615	PANEL, MAIN, BULKHEAD 10
16	1	1006616	FLUTE, FWD, RH, BULKHEAD 10
17	1	1006617	FLUTE, FWD, LH, BULKHEAD 10
18	1	1006618	FLUTE, AFT, LH, BULKHEAD 10
19	1	1006619	FLUTE, AFT, RH, BULKHEAD 10

20	1	1006620	FLUTE, AFT, LH, LOWER, BULKHEAD 10
21	1	1006621	FLUTE, AFT, RH, LOWER, BULKHEAD 10
22	2	1006622	REINFORCEMENT, STEP BULKHEAD, LH
23	1	1006625	ANGLE, LH, COVER
24	1	1006626	ANGLE, RH, COVER
25	1	1006627	STIFFENER, ACCESS, TOP, BULKHEAD 10
26	1	1006628	STIFENER, ACCESS, TOP, BULKHEAD 10
27	1	1009189	SUPPORT, SKEG, AFT, LH
28	1	1009190	SUPPORT, SKEG, AFT RH
29	1	1009191	SUPPORT, SKEG, FWD LH
30	1	1009192	SUPPORT, SKEG, FWD RH
31	1	1009193	ANGLE, TRUNION, LH, BULKHEAD 10
32	1	1009194	ANGLE, TRUNION, RH, BULKHEAD 10
33	1	1006624*	PANEL, ACCESS, BULKHEAD 10
34	2	AN10-22A*	BOLT
35	6	AN6-17A*	BOLT
36	2	AN8-20A*	BOLT
37	2	MS21044N10*	NUT
38	6	MS21044N6*	NUT
39	2	MS21044N8*	NUT
40	6	NAS1149D0616J*	WASHER
41	6	NAS1149D0663J*	WASHER
42	2	NAS1149F0832P*	WASHER
43	2	NAS1149F0863P*	WASHER
44	2	NAS1149F1032P*	WASHER
45	2	NAS1149F1063P*	WASHER

\*Not included in 1006604 assembly

## ASSEMBLY, BULKHEAD 10 - RIGHT FLOAT

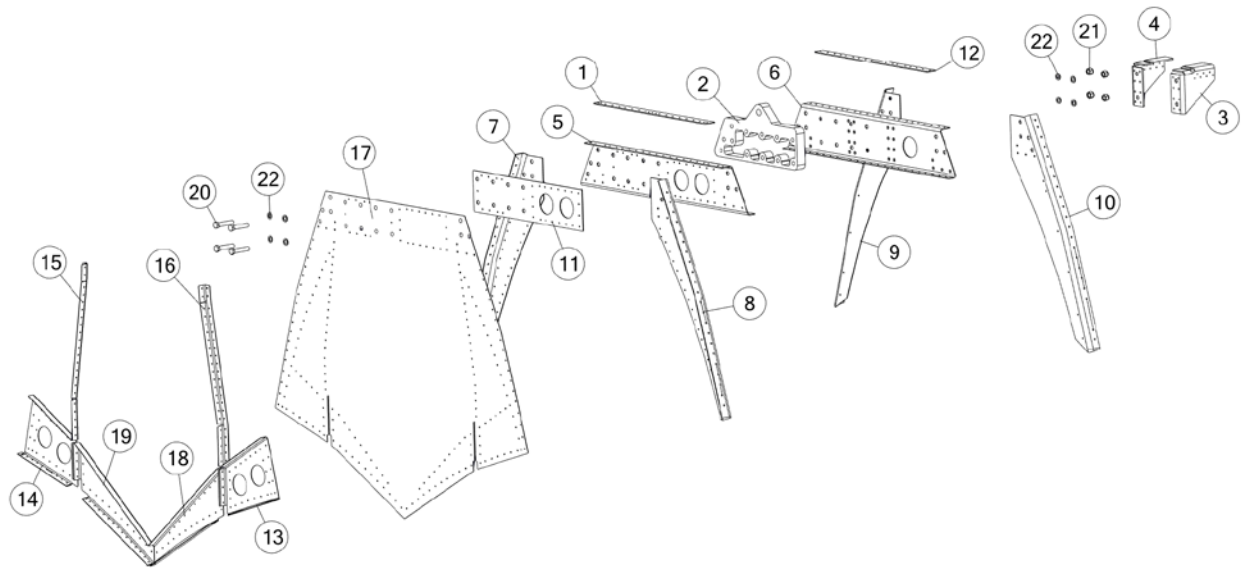


PARTS LIST			
1006605 ASSEMBLY, BULKHEAD 10 - RIGHT FLOAT			
ITEM	QTY	PART NUMBER	DESCRIPTION
1	1	1002736	ANGLE, FWD FLUTE, RH, BULKHEAD 10
2	1	1002737	ANGLE, FWD FLUTE, LH, BULKHEAD 10
3	2	1002748	SPACER, SUPERPANEL
4	1	1003105	CLEAT, SUPERPANEL, LH, BULKHEAD 10
5	1	1003108	CLEAT, SUPERPANEL, RH, BULKHEAD 10
6	1	1006293	BRACE, SUPERPANEL, FWD, BULKHEAD 10
7	1	1006295	BRACE, SUPERPANEL, AFT, BULKHEAD 10
8	1	1006311	LEG, SUPERPANEL, FWD, INBOARD, BULKHEAD 10
9	1	1006313	LEG, SUPERPANEL, FWD, OUTBOARD, BULKHEAD 10
10	1	1006315	LEG, SUPERPANEL, AFT, INBOARD, BULKHEAD 10
11	1	1006317	LEG, SUPERPANEL, AFT, OUTBOARD, BULKHEAD 10
12	25	1006420-01	NUTPLATE, NYLON, 8-32
13	1	1006505	MOUNT, PANEL, RIGHT, FORWARD, WHEEL WELL
14	1	1006506	MOUNT, PANEL, LEFT, FORWARD, WHEEL WELL
15	1	1006615	PANEL, MAIN, BULKHEAD 10
16	1	1006616	FLUTE, FWD, RH, BULKHEAD 10
17	1	1006617	FLUTE, FWD, LH, BULKHEAD 10
18	1	1006618	FLUTE, AFT, LH, BULKHEAD 10
19	1	1006619	FLUTE, AFT, RH, BULKHEAD 10

20	1	1006620	FLUTE, AFT, LH, LOWER, BULKHEAD 10
21	1	1006621	FLUTE, AFT, RH, LOWER, BULKHEAD 10
22	2	1006622	REINFORCEMENT, STEP BULKHEAD, LH
23	1	1006625	ANGLE, LH, COVER
24	1	1006626	ANGLE, RH, COVER
25	1	1006627	STIFFENER, ACCESS, TOP, BULKHEAD 10
26	1	1006628	STIFFENER, ACCESS, TOP, BULKHEAD 10
27	1	1009189	SUPPORT, SKEG, AFT, LH
28	1	1009190	SUPPORT, SKEG, AFT RH
29	1	1009191	SUPPORT, SKEG, FWD LH
30	1	1009192	SUPPORT, SKEG, FWD RH
31	1	1009193	ANGLE, TRUNION, LH, BULKHEAD 10
32	1	1009194	ANGLE, TRUNION, RH, BULKHEAD 10
33	1	1006624*	PANEL, ACCESS, BULKHEAD 10
34	2	AN10-22A*	BOLT
35	6	AN6-17A*	BOLT
36	2	AN8-20A*	BOLT
37	2	MS21044N10*	NUT
38	6	MS21044N6*	NUT
39	2	MS21044N8*	NUT
40	6	NAS1149D0616J*	WASHER
41	6	NAS1149D0663J*	WASHER
42	2	NAS1149F0832P*	WASHER
43	2	NAS1149F0863P*	WASHER
44	2	NAS1149F1032P*	WASHER
45	2	NAS1149F1063P*	WASHER

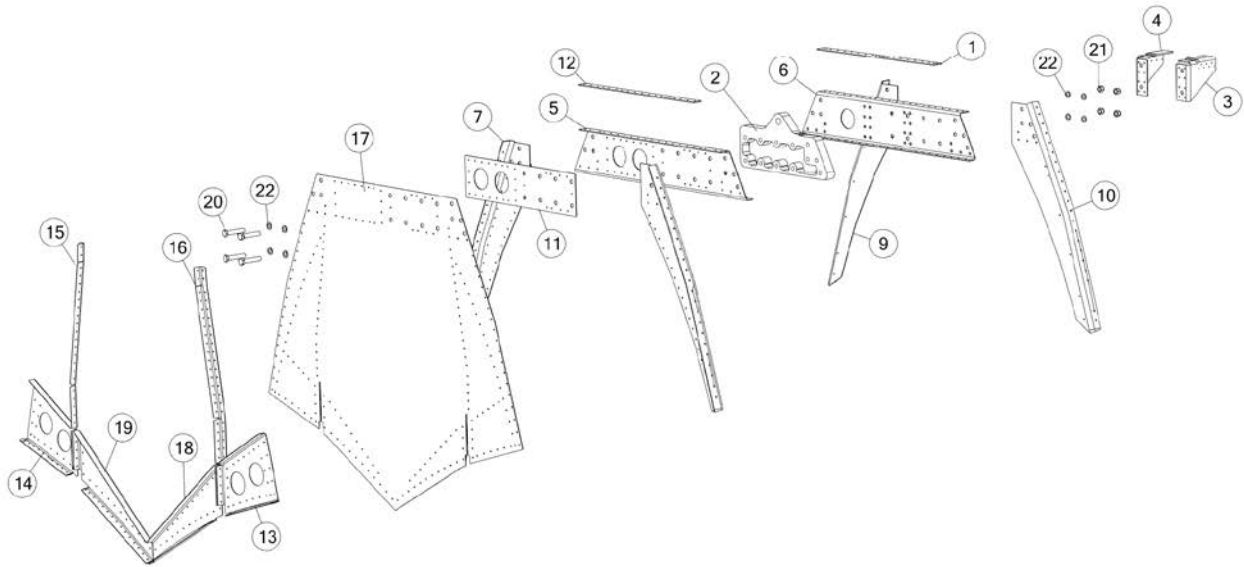
\*Not included in 1006605 assembly

## ASSEMBLY, BULKHEAD 11 - LEFT FLOAT



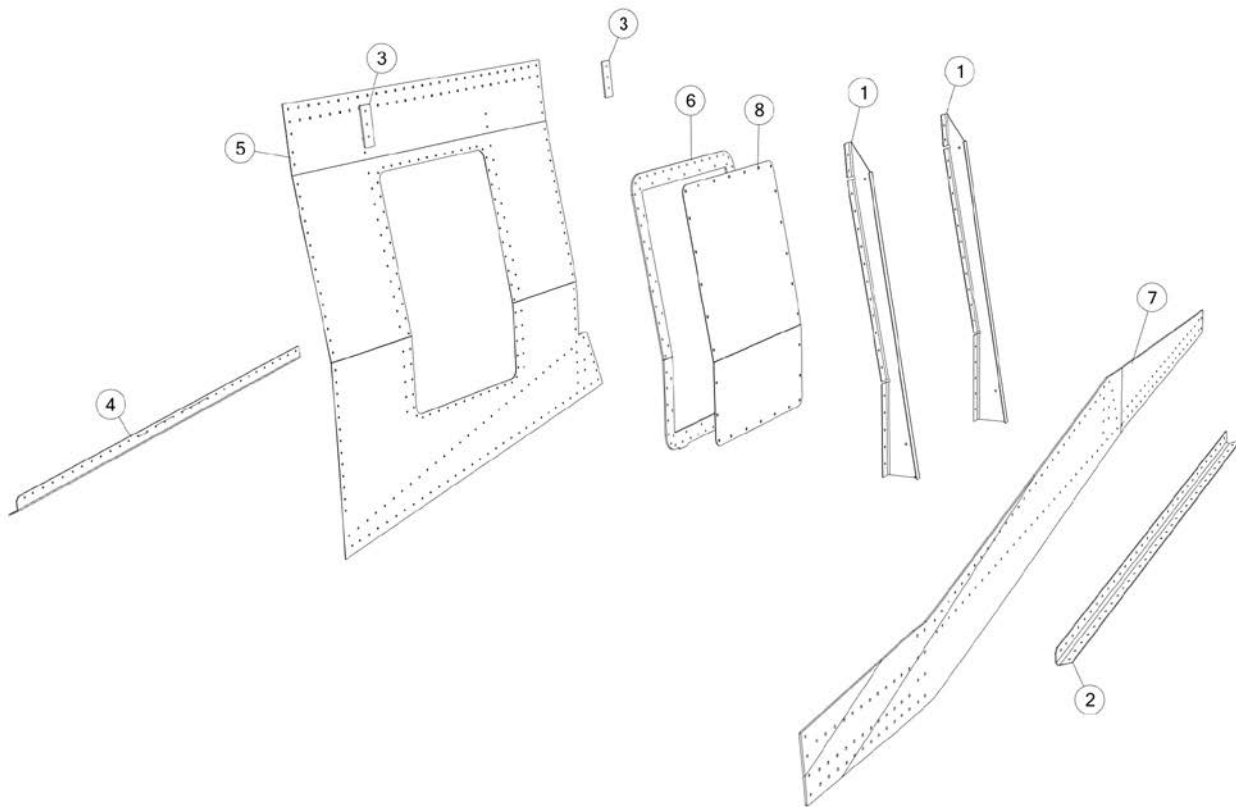
PARTS LIST			
1006606 ASSEMBLY, BULKHEAD 11 - LEFT FLOAT			
ITEM	QTY	PART NUMBER	DESCRIPTION
1	1	1002748	SPACER, SUPERPANEL
2	1	1006220	FITTING, SUPERPANEL, BULKHEAD 11
3	1	1006283	GUSSET, AFT RAIL, LEFT
4	1	1006284	GUSSET, AFT RAIL, RIGHT
5	1	1006296	BRACE, SUPERPANEL, FWD, BULKHEAD 11
6	1	1006298	BRACE, SUPERPANEL, AFT, BULKHEAD 11
7	1	1006318	LEG, SUPERPANEL, FWD, RIGHT, BULKHEAD 11
8	1	1006320	LEG, SUPERPANEL, FWD, LEFT, BULKHEAD 11
9	1	1006322	LEG, SUPERPANEL, AFT, RIGHT, BULKHEAD 11
10	1	1006324	LEG, SUPERPANEL, AFT, LEFT, BULKHEAD 11
11	1	1006327	DOUBLER, BULKHEAD 11
12	1	1006328	SPACER, SUPER PANEL
13	1	1006343	FLUTE, FWD, LT, LT FLT, BULKHEAD 11
14	1	1006344	FLUTE, FWD, RT, LT FLT, BULKHEAD 11
15	1	1006507	MOUNT, PANEL, RIGHT, AFT, WHEEL WELL
16	1	1006508	MOUNT, PANEL, AFT, WHEEL WELL
17	1	1006629	PANEL, BULKHEAD 11
18	1	1006630	PANEL, BOTTOM, RH, BULKHEAD 11
19	1	1006631	PANEL, BOTTOM, RH, BULKHEAD 11
20	4	AN6-17A	BOLT
21	4	MS21044N6	NUT
22	8	NAS1149D0663J	WASHER

## ASSEMBLY, BULKHEAD 11 - RIGHT FLOAT



PARTS LIST			
1006607 ASSEMBLY, BULKHEAD 11 - RIGHT FLOAT			
ITEM	QTY	PART NUMBER	DESCRIPTION
1	1	1002748	SPACER, SUPERPANEL
2	1	1006220	FITTING, SUPERPANEL, BULKHEAD 11
3	1	1006283	GUSSET, AFT RAIL, LEFT
4	1	1006284	GUSSET, AFT RAIL, RIGHT
5	1	1006297	BRACE, SUPERPANEL, FWD, BULKHEAD 11
6	1	1006299	BRACE, SUPERPANEL, AFT, BULKHEAD 11
7	1	1006318	LEG, SUPERPANEL, FWD, RIGHT, BULKHEAD 11
8	1	1006320	LEG, SUPERPANEL, FWD, LEFT, BULKHEAD 11
9	1	1006322	LEG, SUPERPANEL, AFT, RIGHT, BULKHEAD 11
10	1	1006324	LEG, SUPERPANEL, AFT, LEFT, BULKHEAD 11
11	1	1006327	DOUBLER, BULKHEAD 11
12	1	1006328	SPACER, SUPER PANEL
13	1	1006343	FLUTE, FWD, LT, LT FLT, BULKHEAD 11
14	1	1006344	FLUTE, FWD, RT, LT FLT, BULKHEAD 11
15	1	1006507	MOUNT, PANEL, RIGHT, AFT, WHEEL WELL
16	1	1006508	MOUNT, PANEL, AFT, WHEEL WELL
17	1	1006629	PANEL, BULKHEAD 11
18	1	1006630	PANEL, BOTTOM, RH, BULKHEAD 11
19	1	1006631	PANEL, BOTTOM, RH, BULKHEAD 11
20	4	AN6-17A	BOLT
21	4	MS21044N6	NUT
22	8	NAS1149D0663J	WASHER

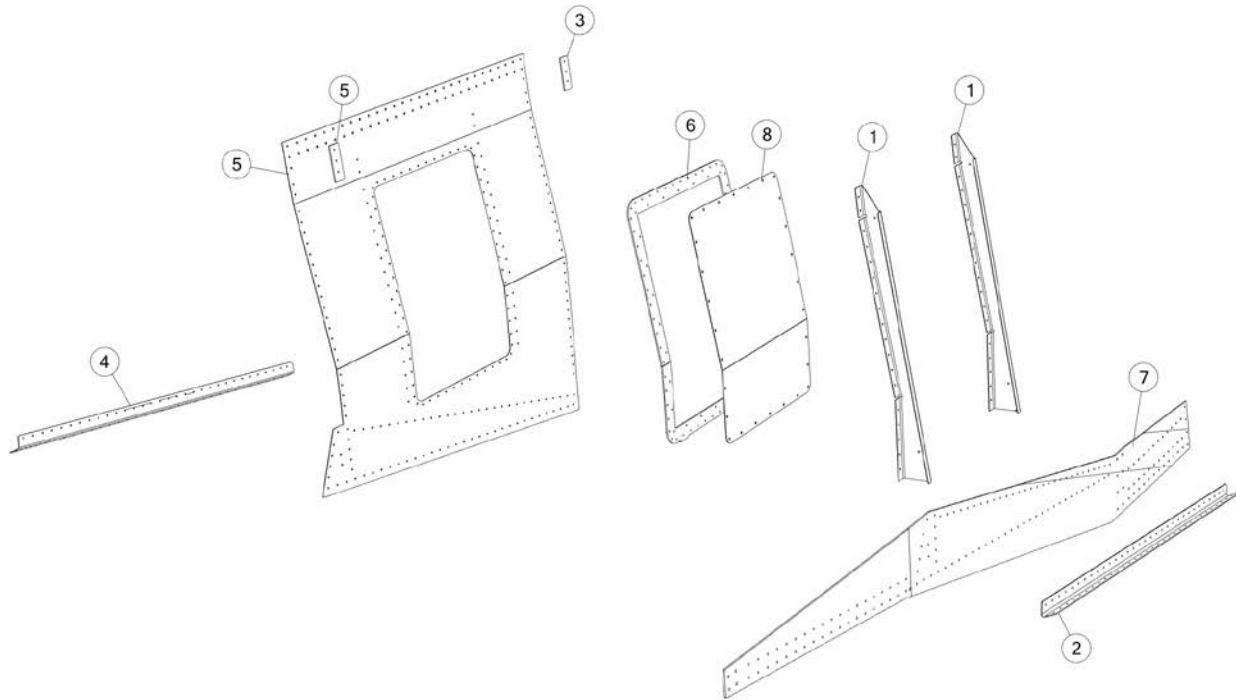
## ASSEMBLY, LEFT PANEL, WHEEL WELL



PARTS LIST			
1006643 ASSEMBLY, LEFT PANEL, WHEEL WELL			
ITEM	QTY	PART NUMBER	DESCRIPTION
1	2	1006133	STIFFENER, WHEEL WELL SIDE PANEL
2	1	1006341	FLANGE, CARRY THRU STRAP
3	2	1006498	SPACER, WHEEL WELL, BATHTUB FITTING ATTACH
4	1	1006610	STIFFENER, BOTTOM SKIN, LEFT
5	1	1009199	PANEL, SIDE, LEFT, WHEEL WELL
6	1	1009201	RETAINER, COVER, WHEEL WELL PANEL
7	1	1009315	STRAP, CARRY THRU, LEFT
8	1	1009205	COVER, WHEEL WELL ACCESS (not included in 1006643 assembly)



## ASSEMBLY, RIGHT PANEL, WHEEL WELL



PARTS LIST			
1006644 ASSEMBLY, RIGHT PANEL, WHEEL WELL			
ITEM	QTY	PART NUMBER	DESCRIPTION
1	2	1006133	STIFFENER, WHEEL WELL SIDE PANEL
2	1	1006342	FLANGE, CARRY THRU STRAP
3	2	1006498	SPACER, WHEEL WELL, BATHTUB FITTING ATTACH
4	1	1006611	STIFFENER, BOTTOM SKIN, RIGHT
5	1	1009200	PANEL, SIDE, RIGHT, WHEEL WELL
6	1	1009201	RETAINER, COVER, WHEEL WELL PANEL
7	1	1009316	STRAP, CARRY THRU, RIGHT
8	1	1009205	COVER, WHEEL WELL ACCESS (not included in 1006643 assembly)