



WIPLINE FLOATS • SKIS • MODIFICATIONS • AIRCRAFT SALES
AVIONICS • INTERIOR • MAINTENANCE • PAINT REFINISHING

WIPLINE FLOATS

MODEL 2100

PARTS MANUAL



CHRISTEN HUSKY

A-1, A-1A, A-1B, A-1C

1700 Henry Ave – Fleming Field (KSGS), South St. Paul, MN 55075
Ph: 651.451.1205 Fax: 651.457.7858
www.wipaire.com

THIS PAGE INTENTIONALLY LEFT BLANK

TABLE OF CONTENTS

<u>SECTION</u>	<u>PAGE</u>
TABLE OF CONTENTS.....	3
LOG OF REVISIONS	4
FLOAT PART SALES DEPT. OPERATIONS	5
PARTS ORDERING	5
DAMAGED GOODS	5
RETURNED PARTS.....	5
ORDER SHORTAGES	6
CREDIT POLICY.....	6
LIST OF ABBREVIATIONS.....	6
NEW CUSTOMER INFORMATION.....	7
HULL ASSEMBLY – AMPHIBIAN.....	9
HULL ASSEMBLY – SEAPLANE	15
TOP SKIN – HULL – AMPHIBIAN	21
TOP SKIN – HULL – SEAPLANE	25
WHEELWELL ASSEMBLY – AMPHIBIAN	29
EXTRUSIONS – HULL – AMPHIBIAN	31
EXTRUSIONS – HULL – SEAPLANE.....	33
PUMPER TUBE INSTALLATION.....	35
INSTALLATION WATER RUDDER.....	37
ASSEMBLY – NOSE GEAR – LOWER.....	45
ASSEMBLY – NOSE WHEEL (GROVE)	47
ASSEMBLY – NOSE WHEEL (PARKER)	49
INSTALLATION – MAIN GEAR RETRACTION.....	51
ASSEMBLY – MAIN GEAR WHEEL, GROVE/WIPAIRE	55
ASSEMBLY – MAIN GEAR WHEEL CLEVELAND/PARKER	59
INSTALLATION – STRUTS, WIRES AND SPREADER BARS	63
INSTALLATION – FUSELAGE STEPS	67
INSTALLATION – FUSELAGE MODIFICATION.....	69
INSTALLATION – STEERING AND RETRACT SYSTEM	71
INSTALLATION - HYDRAULIC SYSTEM.....	75
ASSEMBLY – HYDRAULIC PUMP (WITHOUT BAGGAGE EXTENSION)	79
ASSEMBLY – HYDRAULIC PUMP (WITH BAGGAGE EXTENSION).....	83
HYDRAULIC SCHEMATIC.....	87
ELECTRICAL SCHEMATIC	91
GEAR CONTROL (ROUND).....	93
GEAR CONTROL (RECTANGLE)	95
HYDRAULIC PUMP.....	97

NOTE:

Any information not found in this manual for strut package parts and other aircraft installation items refer to the installation drawing package provided with the STC at the time of float installation. Additional drawing copies are available for purchase through the Wipaire Customer Service department.

Wipline Model 2100 Parts Manual

LOG OF REVISIONS

Revision	Pages Effected	Description	Date
A	53-58	ADDED GROVE/WIPAIRE BRAKE ASSEMBLY AND REVISED TABLE OF CONTENTS.	12/12/05
B	43, 51	NOSE AND MAIN GEAR RETRACT CYLINDER P/N CHANGED.	3/20/06
C	64	ADDED BELLY ENCLOSURES	4/20/06
D	20-26	CHANGED FLOAT DECK COVER P/Ns	8/3/06
E	51	Changed P/Ns for Main Gear Bushings Added part number and revision to all pages	10/31/06
F	44, 51	Hydraulic Cylinder Part number change.	7/21/07
G	Multiple	Many pages changed with updated part numbers for parts. New figure added for water rudder.	9/1/10
H	ALL	Reformatted entire manual, update to Part Sales Dept page, added new warranty and customer information, updated hyd. pump, gear selector, electrical schematic images and BOMS, corrected multiple clerical errors and incorrect part/item callouts, added Grove Nose wheel Added Grove Nose Wheel, washer 415067 was 359071	5/28/2013
J	3	Removed Warranty Claim Form	3/31/16

You may also look at the latest parts manual at www.wipaire.com.
Hours: 7:00 AM – 6:00 PM, Monday through Friday

FLOAT PART SALES DEPT. OPERATIONS

Hours: 7:00 AM – 6:00 PM, Monday through Friday
Central U.S. Time

Phone: 651-306-0459

Fax: 651-306-0666

Email: customerservice@wipaire.com

Website: www.wipaire.com

Shipping Schedule:

In-stock orders received before 3:00 PM CST ship the same day. Orders received after this time may be assessed an AOG fee for special priority handling.

As we are primarily a manufacturer, our stocks can be rapidly depleted by production requirements. Therefore, prices and availability are subject to change at any time. It is our intent to provide courteous and prompt service of your needs. Please let us know of any problem or concerns so that changes in these procedures can be a benefit to all.

PARTS ORDERING

Purchase orders should include

1. P.O. Number
2. Name of person placing order
3. Invoicing information:
 - I. Customer name – company or individual
 - i. Address
 - ii. Phone and fax number
4. Shipping information:
 - I. Address (if different from invoice address)
 - II. Method of shipment/preferred carrier
5. Aircraft model, float model and serial numbers
6. Wipaire part number; name; type, e.g. left or right; quantity
7. Payment method: VIS A, MasterCard, COD (U.S. customers only). Pre-payment by check or wire transfer, open account (see credit policy section).

DAMAGED GOODS

Inspect all parts upon receipt. Damages to parts in transit must be filed as a claim against the carrier.

RETURNED PARTS

Written explanation of reason for return must accompany parts, including invoice number of original shipment. Shipping charges on returned parts must be prepaid or the shipment will be refused.

ORDER SHORTAGES

Check shipment against delivery slip immediately. All claims for any shortages should be made within three (3) days after order receipt.

CREDIT POLICY

Parts will be shipped on open account, net 30 days, to Wipaire-approved credit customers only. A balance due over 60 days will result in no shipments. Wipaire, Inc reserves the right to send any order C.O.D.

LIST OF ABBREVIATIONS

All references in this manual to LEFT and RIG HT are from the perspective of the pilot's seat with the floats fully installed and ready for floatplane operation. The following is a list of abbreviations that may appear in the description nomenclature fields of this manual:

AB	Afterbody	Inbd.	Inboard
Amphib.	Amphibious	Lg.	Large.
AR	As Required	Lt.	Left
Assy.	Assembly	Lwr.	Lower
Brkt.	Bracket	Opt.	Optional
Btm.	Bottom	Otbd.	Outboard
Bulk.	Bulkhead	Reinf.	Reinforcement
Ctr.	Center	Rr.	Rear
Cyl.	Cylinder	Rt.	Right
Ft.	Front	Sm.	Small
Ftg.	Fitting	SN	Serial Number
Fus.	Fuselage	Spr.	Spreader
Fwd.	Forward	Upr.	Upper
Horiz.	Horizontal	Vert.	Vertical
Hyd.	Hydraulic	W.W.	Wheel Well



NEW CUSTOMER INFORMATION

Customer Name	
Billing Address	
Shipping Address	
Phone Number	Fax Number
Purchasing Contact	Phone Number
E-Mail	Fax Number
Accounts Payable Contact	Phone Number
E-Mail	Fax Number
Type(s) of Aircraft Owned or Maintained	
Model(s) of Floats and Skis Owned or Maintained	
FedEx and/or UPS account number (if applicable)	

Please return to Wipaire Customer Service:

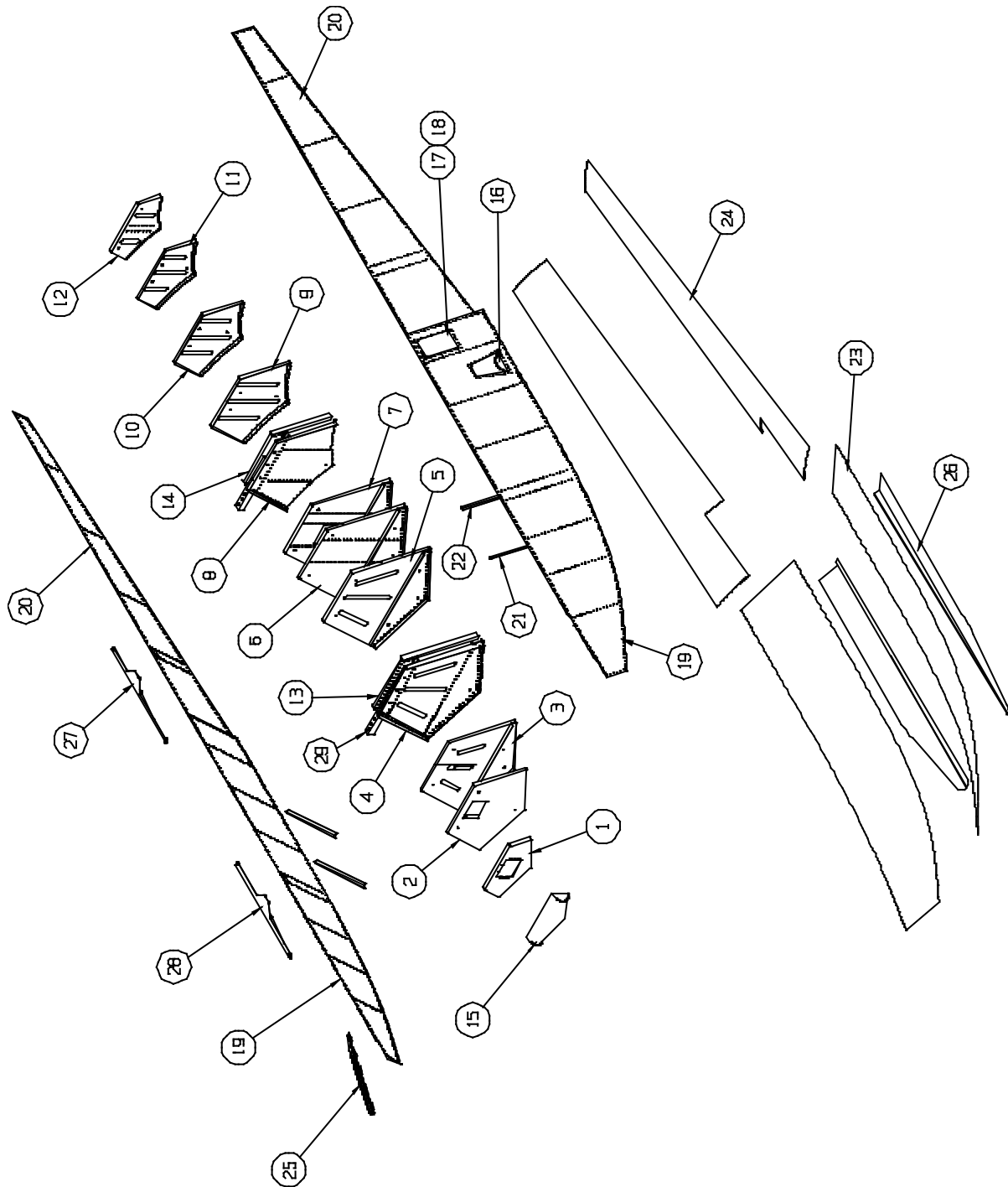
Fax 651-306-0666

Phone 651-306-0459

CustomerService@wipaire.com

THIS PAGE INTENTIONALLY LEFT BLANK

WIPLINE MODEL 2100 FLOAT PARTS MANUAL



HULL ASSEMBLY – AMPHIBIAN
FIGURE 1

WIPLINE MODEL 2100 FLOAT PARTS MANUAL

HULL ASSEMBLY - AMPHIBIAN, FIGURE 1

<u>REF NO.</u>	<u>NO.</u>	<u>REQ.</u>	<u>PART DESCRIPTION</u>	<u>PART NO.</u>
1	1		BULKHEAD #1	21A01163-067
2	1		ASSY BULKHEAD #3	21A01000-265
	1		BULKHEAD	21A01158-184
	1		ANGLE – NOSE BOX ATTACH	21A01326-006
	1		ANGLE – NOSE BOX ATTACH	21A01326-005
3	1		ASSY BULKHEAD #4	21A01000-261
	1		BULKHEAD – MAIN	21A01158-174
	1		SUPPORT – BULKHEAD LOWER	21A01158-175
	1		CLAMP, PUMP OUT TUBE	3A01158-003
4	1		ASSY BULKHEAD #5	21A01000-253
	1		BULKHEAD - MAIN	21A01158-178
	1		ANGLE – SIDE L.	21A01326-007
	1		ANGLE – SIDE R.	21A01326-008
	1		PANEL – SPR. BAR	21A01163-066
	1		SUPPORT – BULKHEAD #6	21A01158-177
	1		CLAMP, PUMP OUT TUBE	3A01158-003
5	1		ASSY BULKHEAD #6	21A01000-252
	1		BULKHEAD – MAIN	21A01158-189
	1		SUPPORT – BULKHEAD LOWER	21A01158-177
	1		GROMMET	MS35489-19
6	1		ASSY BULKHEAD #7 L.	21A01000-267
	1		BULKHEAD - MAIN	21A01158-181
	1		SUPPORT – BULKHEAD LOWER	21A01158-187
	1		ASSY BULKHEAD #7 R	21A01000-266
	1		BULKHEAD - MAIN	21A01158-182
	1		SUPPORT – BULKHEAD LOWER	21A01158-188
7	1		ASSY BULKHEAD #8 L.	21A01000-263
	1		BULKHEAD - MAIN	21A01158-191
	1		SUPPORT – BULKHEAD LOWER	21A01158-193

WIPLINE MODEL 2100 FLOAT PARTS MANUAL

HULL ASSEMBLY - AMPHIBIAN, FIGURE 1

<u>REF NO.</u>	<u>NO.</u>	<u>REQ.</u>	<u>PART DESCRIPTION</u>	<u>PART NO.</u>
	1		ANGLE – A.B. SKIN ATTACH L.	21A01158-179
	1		ANGLE – A.B. SKIN ATTACH R.	21A01158-180
	1		ASSY BULKHEAD #8 R	21A01000-264
	1		BULKHEAD - MAIN	21A01158-190
	1		SUPPORT – BULKHEAD LOWER	21A01158-192
	1		ANGLE – A.B. SKIN ATTACH L.	21A01158-179
	1		ANGLE – A.B. SKIN ATTACH R.	21A01158-180
8	1		ASSY. – BULKHEAD #10	21A01000-262
	1		BULKHEAD - MAIN	21A01158-169
	1		ANGLE SIDE L.	21A01326-011
	1		ANGLE SIDE R.	21A01326-012
	1		PANEL – SPR. BAR	21A01163-066
9	1		BULKHEAD #11	21A01000-395
10	1		BULKHEAD #12	21A01000-396
11	1		BULKHEAD #13	21A01000-397
12	1		ASSY. BULKHEAD #14	21A01000-250
	1		BULKHEAD - MAIN	21A01158-164
	1		CHANNEL – REIN.	21A01158-165
	1		PLATE – WATER RUDDER STOP	21A08156-130
13	1		ASSY. SPR. BAR PANEL FWD	21A01000-260
	1		PANEL – SPR. BAR	21A01163-065
	1		ANGLE – SIDE L.	21A01326-013
	1		ANGLE – SIDE R.	21A01326-014
	1		BOLT	AN4-5A
	1		WASHER	NAS1149F0463P
	1		NUT	MS21044N4
14	1		ASSY. SPR. BAR PANEL AFT	21A01000-259
	1		PANEL – SPR. BAR	21A01163-065
	1		ANGLE – SIDE L.	21A01326-009

WIPLINE MODEL 2100 FLOAT PARTS MANUAL

HULL ASSEMBLY - AMPHIBIAN, FIGURE 1

<u>REF NO.</u>	<u>NO.</u>	<u>REQ.</u>	<u>PART DESCRIPTION</u>	<u>PART NO.</u>
	1		ANGLE – SIDE R.	21A01326-010
	1		BOLT	AN4-5A
	1		WASHER	NAS1149F0463P
	1		NUT	MS21044N4
15	1		NOSE BUMPER	21A01000-295
16	1		STEP – BOARDING	3A01000-005
17	2		REINFORCEMENT – COVER	21A01156-126
18	2		CONVER – INSP. ASSY.	21A01000-427
	2		COVER – INSP.	21A01004-101
	2		GASKET	21A01567-012
	56		SCREW – ATTACH	AN526-632R6
19	1		SIDE SKIN – STEP TO BOW L. OUTBR'D	21A01004-093
	1		SIDE SKIN – STEP TO BOW R. OUTBR'D	21A01004-094
	1		SIDE SKIN – STEP TO BOW L. INBR'D	21A01004-095
	1		SIDE SKIN – STEP TO BOW R. INBR'D	21A01004-096
	1		BRACKET (PADDLE)	1002114
	1		STOP (RIGHT)	1002113
	1		CLIP	3A01503-001
	1		PADDLE 4 FT.	0238-0035
20	1		SIDE SKIN – STEP TO STERN L. OUTBR'D	21A01004-097
	1		SIDE SKIN – STEP TO STERN R. OUTBR'D	21A01004-098
	1		SIDE SKIN – STEP TO STERN L. INBR'D	21A01004-099
	1		SIDE SKIN – STEP TO STERN R. INBR'D	21A01004-100
			<u>NOTE:</u> DIFFERENCE BETWEEN R. AND L. IS FINISH	
21	2		STIFFENER – SIDE SKIN	21A01340-105
22	2		STIFFENER – SIDE SKIN	21A01340-104
23	1		ASSY. BOTTOM SKIN FWD L.	21A01000-307

WIPLINE MODEL 2100 FLOAT PARTS MANUAL

HULL ASSEMBLY - AMPHIBIAN, FIGURE 1

<u>REF NO.</u>	<u>NO. REQ.</u>	<u>PART DESCRIPTION</u>	<u>PART NO.</u>
	1	SKIN ALONE	21A01005-265
	1	ASSY. BOTTOM SKIN FWD R.	21A01000-306
	1	SKIN ALONE (ASSY. INCLUDES BONDED STIFFENERS)	21A01005-265
	2	STIFFENER	21A01322-001
	2	STIFFENER	21A01322-002
	2	STIFFENER	21A01322-003
	2	STIFFENER	21A01322-004
	2	STIFFENER	21A01322-005
	6	STIFFENER	21A01322-006
24	1	BOTTOM SKIN AFTERBODY L.	21A01004-103
	1	BOTTOM SKIN AFTERBODY R.	21A01004-104
25	1	ASSY. SPRAY RAIL L.	21A01000-275
	1	ASSY. SPRAY RAIL R.	21A01000-274
26	1	BOOSTER – SISTER KEEL L.	21A01000-429
	1	BOOSTER – SISTER KEEL R.	21A01000-428
27	1	DOUBLER – GUNWALL AFT L.	21A01162-033
	1	DOUBLER – GUNWALL AFT R.	21A01162-034
28	1	DOUBLER – GUNWALL FWD L.	21A01162-031
	1	DOUBLER – GUNWALL FWD R.	21A01162-032
29	2	TUBE – SPR. BAR MOUNTING	21A03115-001
	6	BOLT	AN4-22A
	12	WASHER	NAS1149D0416J
	12	WASHER	NAS1149D0463J
	6	NUT	MS21044N4

THIS PAGE INTENTIONALLY LEFT BLANK

WIPLINE MODEL 2100 FLOAT PARTS MANUAL

HULL ASSEMBLY - SEAPLANE, FIGURE 2

<u>REF NO.</u>	<u>NO.</u>	<u>REQ.</u>	<u>PART DESCRIPTION</u>	<u>PART NO.</u>
1	1		BULKHEAD #1	21A01163-067
	1		COVER ASS'Y	21501000-366
	1		COVER – NOSE GEAR OPENING	21S01150-134
			A/R PLATE NUT	MS21059L3
2	1		ASSY BULKHEAD #3	21A01000-265
	1		BULKHEAD	21A01158-184
	1		ANGLE – NOSE BOX ATTACH	21A01326-006
	1		ANGLE – NOSE BOX ATTACH	21A01326-005
3	1		ASSY BULKHEAD #4	21A01000-261
	1		BULKHEAD – MAIN	21A01158-174
	1		SUPPORT – BULKHEAD LOWER	21A01158-175
	1		CLAMP, PUMP OUT TUBE	3A01158-003
4	1		ASSY BULKHEAD #5	21A01000-253
	1		BULKHEAD - MAIN	21A01158-178
	1		ANGLE – SIDE L.	21A01326-007
	1		ANGLE – SIDE R.	21A01326-008
	1		PANEL – SPR. BAR	21A01163-066
	1		SUPPORT – BULKHEAD LOWER	21A01158-177
	1		CLAMP, PUMP OUT TUBE	3A01158-003
5	1		ASSY BULKHEAD #6	21A01000-252
	1		BULKHEAD – MAIN	21A01158-189
	1		SUPPORT – BULKHEAD LOWER	21A01158-177
	1		GROMMET	MS35489-19
6	1		ASSY BULKHEAD #7	21S01000-308
	1		BULKHEAD - MAIN	21A01158-189
	1		SUPPORT – BULKHEAD LOWER	21A01158-177
	1		CLAMP, PUMP OUT TUBE	3A01158-003
7	1		ASSY BULKHEAD #8	21S01000-309
	1		BULKHEAD – MAIN	21A01158-189

WIPLINE MODEL 2100 FLOAT PARTS MANUAL

HULL ASSEMBLY - SEAPLANE, FIGURE 2

<u>REF NO.</u>	<u>NO.</u>	<u>REQ.</u>	<u>PART DESCRIPTION</u>	<u>PART NO.</u>
	1		SUPPORT – BULKHEAD LOWER	21A01158-177
	2		ANGLE – A.B. SKIN ATTACH	21A01158-203
	1		CLAMP, PUMP OUT TUBE	3A01158-003
8	1		ASSY. – BULKHEAD #10	21S01000-322
	1		BULKHEAD - MAIN	21A01158-169
	1		ANGLE SIDE L.	21A01326-011
	1		ANGLE SIDE R.	21A01326-012
	1		PANEL – SPR. BAR	21A01163-066
	2		ANGLE – VERTICAL	21S01340-129
	1		CLAMP, PUMP OUT TUBE	3A01158-003
9	1		BULKHEAD #11	21A01000-395
10	1		BULKHEAD #12	21A01000-396
11	1		BULKHEAD #13	21A01000-397
12	1		ASSY. BULKHEAD #14	21A01000-250
	1		BULKHEAD - MAIN	21A01158-164
	1		CHANNEL – REIN.	21A01158-165
	1		PLATE – WATER RUDDER STOP	21A08156-130
13	1		ASSY. SPR. BAR PANEL FWD	21A01000-260
	1		PANEL – SPR. BAR	21A01163-065
	1		ANGLE – SIDE L.	21A01326-013
	1		ANGLE – SIDE R.	21A01326-014
	1		BOLT	AN4-5A
	1		WASHER	NAS1149F0463P
	1		NUT	MS21044N4
14	1		ASSY. SPR. BAR PANEL AFT	21A01000-259
	1		PANEL – SPR. BAR	21A01163-065
	1		ANGLE – SIDE L.	21A01326-009
	1		ANGLE – SIDE R.	21A01326-010

WIPLINE MODEL 2100 FLOAT PARTS MANUAL

HULL ASSEMBLY - SEAPLANE, FIGURE 2

<u>REF NO.</u>	<u>NO.</u>	<u>REQ.</u>	<u>PART DESCRIPTION</u>	<u>PART NO.</u>
	1		BOLT	AN4-5A
	1		WASHER	NAS1149F0463P
	1		NUT	MS21044N4
15	1		NOSE BUMPER	21S01738-001
16	1		SIDE SKIN – STEP TO BOW L. OUTBR'D	21S01004-123
	1		SIDE SKIN – STEP TO BOW R. OUTBR'D	21S01004-122
	1		SIDE SKIN – STEP TO BOW L. INBR'D	21S01004-125
	1		SIDE SKIN – STEP TO BOW R. INBR'D	21S01004-124
	1		BRACKET (PADDLE)	1002114
	1		STOP (LEFT)	3A01156-057
	1		STOP (RIGHT)	1002113
	1		CLIP	3A01503-001
	1		PADDLE	0238-0035
17	1		SIDE SKIN – STEP TO STERN L. OUTBR'D	21A01004-097
	1		SIDE SKIN – STEP TO STERN R. OUTBR'D	21A01004-098
	1		SIDE SKIN – STEP TO STERN L. INBR'D	21A01004-099
	1		SIDE SKIN – STEP TO STERN R. INBR'D	21A01004-100
			<u>NOTE:</u> DIFFERENCE BETWEEN R. AND L. IS FINISH	
18	2		STIFFENER – SIDE SKIN	21A01340-105
19	2		STIFFENER – SIDE SKIN	21A01340-104
20	1		ASSY. BOTTOM SKIN FWD L.	21A01000-307
	1		SKIN ONLY	21A01005-265
	1		ASSY. BOTTOM SKIN FWD R.	21A01000-306
	1		SKIN ONLY	21A01005-265
			(ASSY. INCLUDES BONDED STIFFENERS)	
	2		STIFFENER	21A01322-001
	2		STIFFENER	21A01322-002
	2		STIFFENER	21A01322-003
	2		STIFFENER	21A01322-004

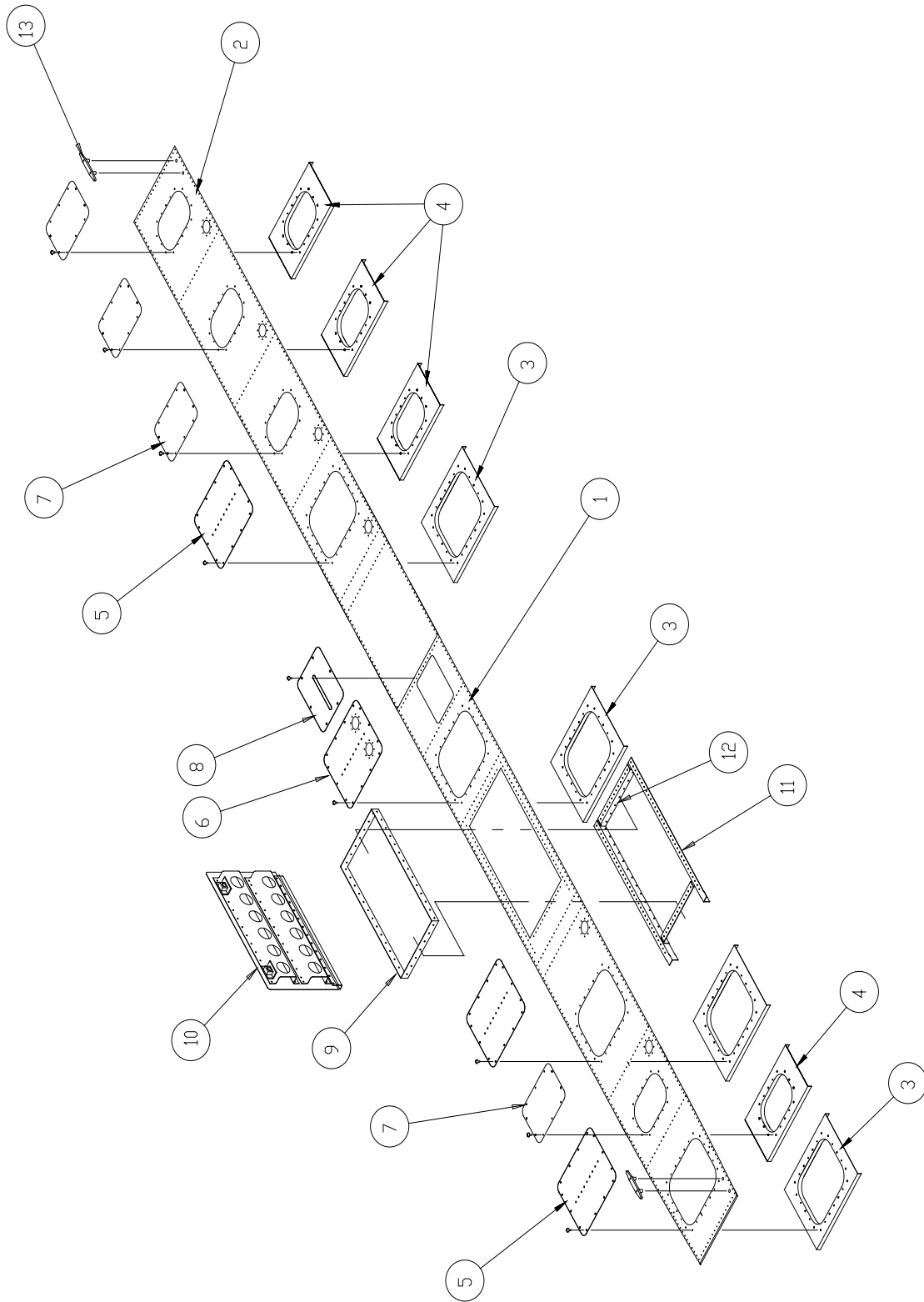
WIPLINE MODEL 2100 FLOAT PARTS MANUAL

HULL ASSEMBLY - SEAPLANE, FIGURE 2

<u>REF NO.</u>	<u>NO.</u>	<u>REQ.</u>	<u>PART DESCRIPTION</u>	<u>PART NO.</u>
	2		STIFFENER	21A01322-005
	6		STIFFENER	21A01322-006
21	1		BOTTOM SKIN AFTERBODY L.	21S01004-131
	1		BOTTOM SKIN AFTERBODY R.	21S01004-130
22	1		ASSY. SPRAY RAIL L.	21A01000-275
	1		ASSY. SPRAY RAIL R.	21A01000-274
23	1		BOOSTER – SISTER KEEL L.	21A01000-429
	1		BOOSTER – SISTER KEEL R.	21A01000-428
24	1		DOUBLER – GUNWALL AFT L.	21A01162-033
	1		DOUBLER – GUNWALL AFT R.	21A01162-034
25	1		DOUBLER – GUNWALL FWD L.	21A01162-031
	1		DOUBLER – GUNWALL FWD R.	21A01162-032
26	2		TUBE – SPR. BAR MOUNTING	21A03115-001
	6		BOLT	AN4-22A
	12		WASHER	NAS1149D0416J
	12		WASHER	NAS1149D0463J
	6		NUT	MS21044N4

THIS PAGE INTENTIONALLY LEFT BLANK

WIPLINE MODEL 2100 FLOAT PARTS MANUAL



TOP SKIN – HULL – AMPHIBIAN
FIGURE 3

WIPLINE MODEL 2100 FLOAT PARTS MANUAL

TOP SKIN - HULL – AMPHIBIAN, FIGURE 3

<u>REF NO.</u>	<u>NO.</u>	<u>REQ.</u>	<u>PART DESCRIPTION</u>	<u>PART NO.</u>
1	1		SKIN – FWD SECTION L.	21A01004-089
	1		SKIN – FWD SECTION R.	21A01004-090
2	1		SKIN – AFT SECTION L.	21A01004-091
	1		SKIN – AFT SECTION R.	21A01004-092
3	4		SUPPORT – INSP. COVER - LARGE A/R TINNERMAN WITH TAPE	21A01002-130 1002481
4	4		SUPPORT – INSP. COVER – SMALL A/R TINNERMAN WITH TAPE	21A01002-131 1002481
5	3		INSP. COVER ASSY– LARGE – W/ ANGLE & GASKET A/R SCREW – ATTACH	21A01000-258 SS TATP 8 X 5/8
	3		SEAL – GASKET ONLY (FORMED COVER)	1001437
	3		SEAL – GASKET ONLY (FLAT COVER)	21A01567-001
6	1		INSP. COVER – LARGE – W/ ANGLE (2 CUPS) & GASKET A/R SCREW – ATTACH	21A01000-273 SS TATP 8 X 5/8
	3		SEAL – GASKET ONLY (FORMED COVER)	1001437
	3		SEAL – GASKET ONLY (FLAT COVER)	21A01567-001
7	4		INSP. COVER ASSY - SMALL A/R SCREW – ATTACH	21A01000-284 SS TATP 8 X 5/8
	3		SEAL – GASKET ONLY (FORMED COVER)	1001437
	3		SEAL – GASKET ONLY (FLAT COVER)	21A01567-002
8	1		COVER – GEAR INDICATOR L.	21A01002-137
	1		COVER – GEAR INDICATOR R.	21A01002-138
	1		PLACARD – DOWN - LAND	10A3-6338-1
	1		PLACARD – UP - WATER	10A3-6338-2
	4		SCREW – CAM - LOK	2600-3
	2		SCREW – CAM – LOK	1126000-5
6		RECEPTACLE – CAM – LOK	212-12N	

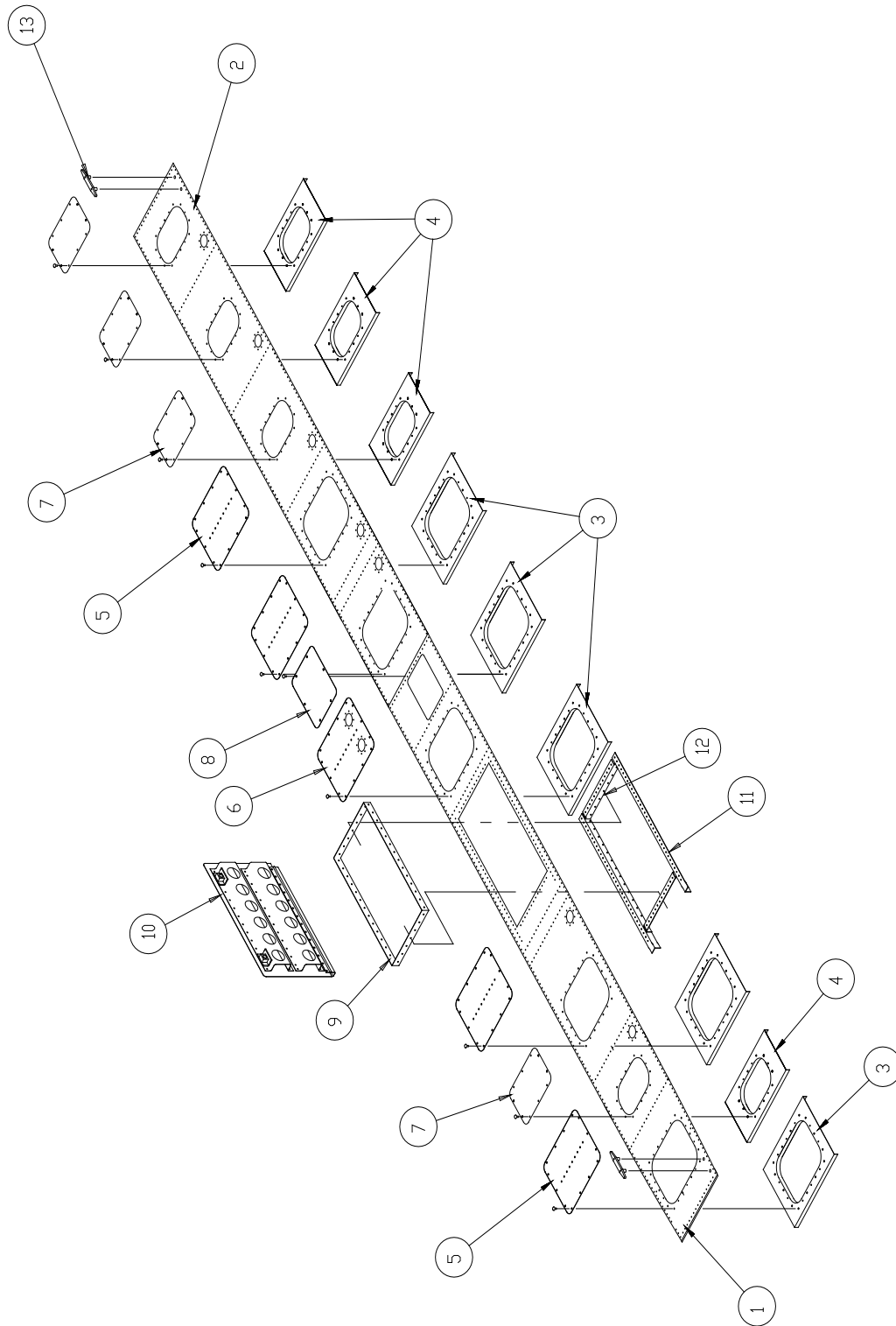
WIPLINE MODEL 2100 FLOAT PARTS MANUAL

TOP SKIN - HULL – AMPHIBIAN, FIGURE 3

<u>REF NO.</u>	<u>NO.</u>	<u>REQ.</u>	<u>PART DESCRIPTION</u>	<u>PART NO.</u>
9	1		JAMB – BAGGAGE DOOR	21A01150-131
	1		BAGGAGE JAMB, HINGE SIDE	1002067
10	1		ASSY – BAGGAGE DOOR	21A01000-268
	1		COVER - SKIN	21A01162-035
	1		HINGE	21A01740-008
	1		HINGE	21A01741-004
	2		STIFFENER - DOOR	21A01010-012
	2		STIFFENER ENDS	21A01004-106
	2		RETAINER - LOCK	3A01206-001
	2		LOCK PIN	3A01273-004
	2		CATCH – LATCH	3A01702-001
	2		LOCK SPRING	3A01525-003
	2		RING – OPENING	1002663
	1		SEAL – GASKET (NOT SHOWN)	1001438
	1		HINGE PIN	1002186
	12		RIVET POP	01692-0410
2		BOLT	10/32 X ½ SS	
11	1		TOP RAIL – BAGGAGE OPENING L.	21A01326-003
	1		TOP RAIL – BAGGAGE OPENING R.	21A01326-002
12	2		JAMB – BAGGAGE DOOR	21A01326-004
13	2		CLEAT – TIE DOWN	21A01203-001
	4		BUSHING	21A01280-004
	4		SCREW – ATTACH	AN525-10R24
	4		NUT	MS21044N3

THIS PAGE INTENTIONALLY LEFT BLANK

WIPLINE MODEL 2100 FLOAT PARTS MANUAL



TOP SKIN – HULL – SEAPLANE
FIGURE 4

WIPLINE MODEL 2100 FLOAT PARTS MANUAL

TOP SKIN - HULL – SEAPLANE, FIGURE 4

<u>REF NO.</u>	<u>NO.</u>	<u>REQ.</u>	<u>PART DESCRIPTION</u>	<u>PART NO.</u>
1	1		SKIN – FWD SECTION L.	21S01004-135
	1		SKIN – FWD SECTION R.	21S01004-134
2	1		SKIN – AFT SECTION L.	21S01004-137
	1		SKIN – AFT SECTION R.	21S01004-136
3	4		SUPPORT – INSP. COVER - LARGE A/R TINNERMAN WITH TAPE	21A01002-130 1002481
4	5		SUPPORT – INSP. COVER – SMALL A/R TINNERMAN WITH TAPE	21A01002-131 1002481
5	4		INSP. COVER ASSY – LARGE – W/ ANGLE & GASKET A/R SCREW – ATTACH	21A01000-258 SS TATP 8 X 5/8
	3		SEAL – GASKET ONLY (FORMED COVER)	1001437
	3		SEAL – GASKET ONLY (FLAT COVER)	21A01567-001
6	1		INSP. COVER – LARGE – ANGLE (2 CUPS) & GASKET A/R SCREW – ATTACH	2A01000-273 SS TATP 8 X 5/8
	3		SEAL – GASKET ONLY (FORMED COVER)	1001437
	3		SEAL – GASKET ONLY (FLAT COVER)	21A01567-001
7	4		INSP. COVER ASSY- SMALL & GASKET A/R SCREW – ATTACH	21A01000-284 SS TATP 8 X 5/8
	4		SEAL – GASKET ONLY (FORMED COVER)	1001728
	3		SEAL – GASKET ONLY (FLAT COVER)	21A01567-002
8	1		COVER ASSY & GASKET	21S01000-399
	1		SEAL – GASKET ONLY	1002110
			A/R SCREW – ATTACH	SS TATP 8 X 5/8
			A/R NUT – TINNERMAN	9A3-671
9	2		STIFFENER – ANGLE	30S01326-035
	1		JAMB – BAGGAGE DOOR	21A01150-131
	1		SEAL – GASKET (NOT SHOWN)	101438

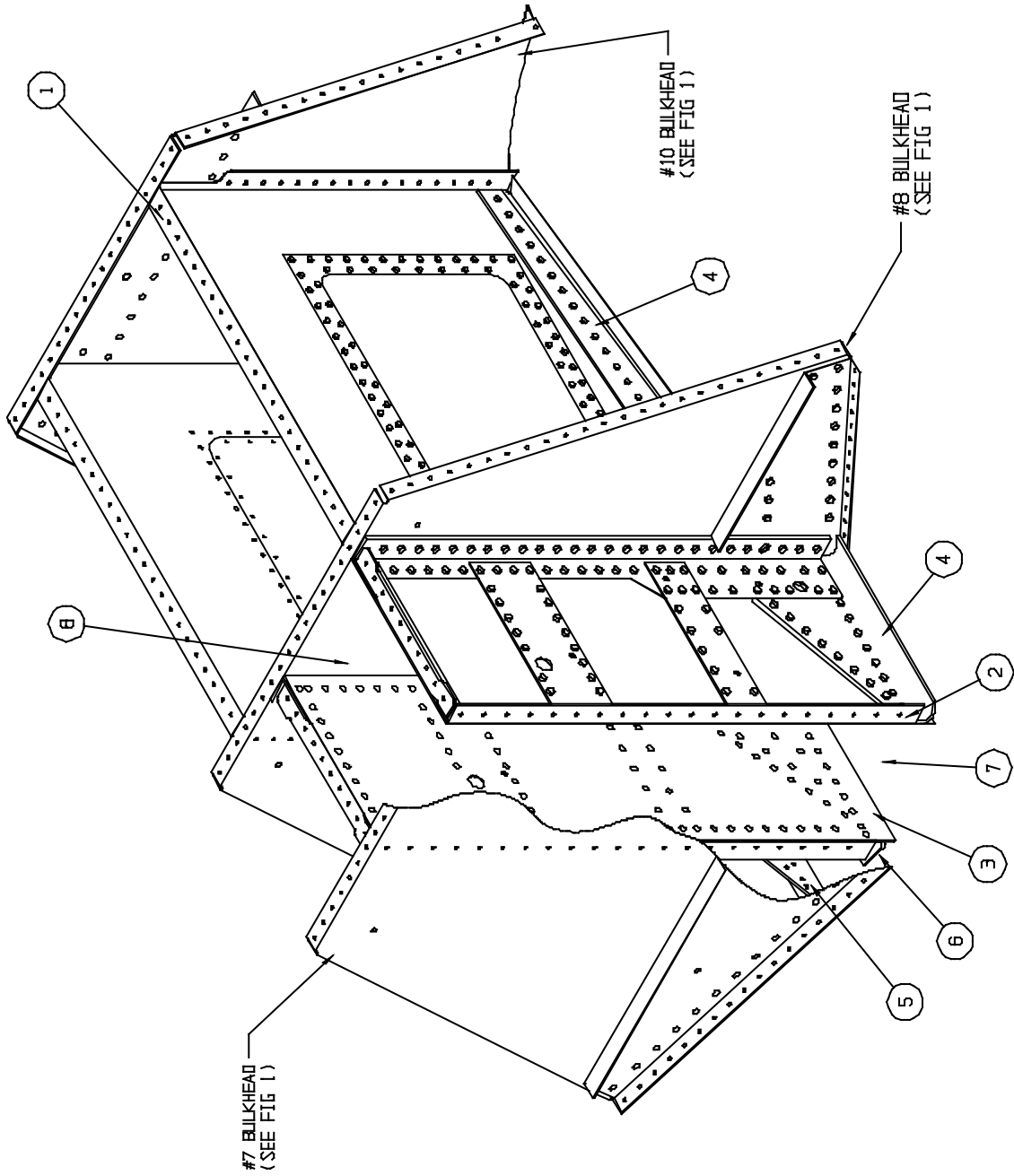
WIPLINE MODEL 2100 FLOAT PARTS MANUAL

TOP SKIN - HULL – SEAPLANE, FIGURE 4

<u>REF NO.</u>	<u>NO.</u>	<u>REQ.</u>	<u>PART DESCRIPTION</u>	<u>PART NO.</u>
	1		JAMB – HINGE SIDE	1002067
10	1		ASSY – BAGGAGE DOOR	21A01000-268
	1		COVER - SKIN	21A01162-035
	1		HINGE	21A01741-004
	2		STIFFENER - DOOR	21A01010-012
	2		STIFFENER ENDS	21A01004-106
	2		RETAINER - LOCK	3A01206-001
	2		LOCK PIN	3A01273-004
	2		CATCH – LATCH	3A01702-001
	2		LOCK SPRING	3A01525-003
	2		RING – OPENING	9-0177A221
	1		SEAL – GASKET (NOT SHOWN)	101438
11	1		TOP RAIL – BAGGAGE OPENING L.	21A01326-003
	1		TOP RAIL – BAGGAGE OPENING R.	21A01326-002
12	2		JAMB – BAGGAGE DOOR	21A01326-004
13	2		CLEAT – TIE DOWN	21A01203-001
	4		BUSHING	21A01280-004
	4		SCREW – ATTACH	AN525-10R24
	4		NUT	MS21044N3
	4		WASHER	NAS1149D0363J

THIS PAGE INTENTIONALLY LEFT BLANK

WIPLINE MODEL 2100 FLOAT PARTS MANUAL

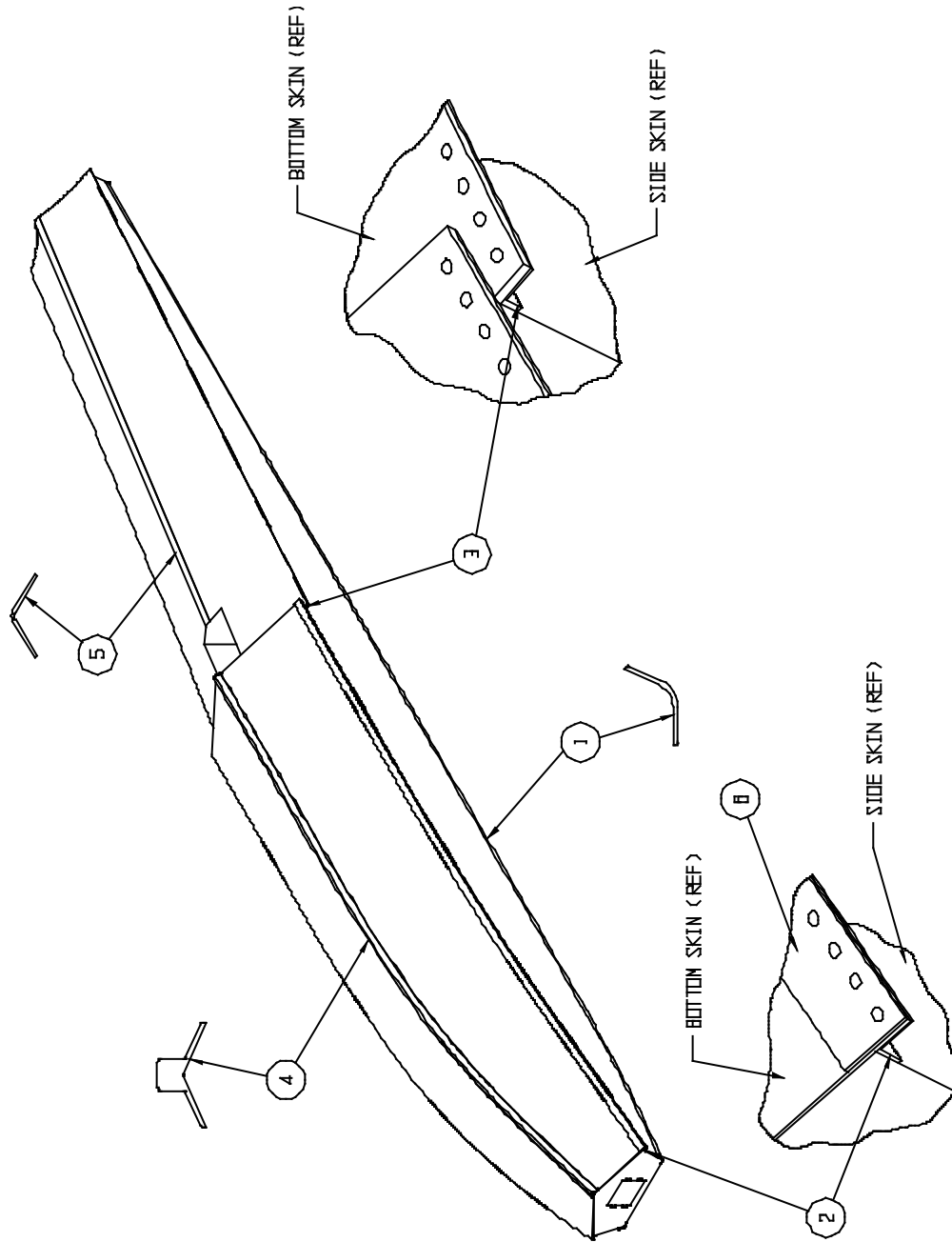


WHEELWELL ASSEMBLY – AMPHIBIAN
FIGURE 5

WIPLINE MODEL 2100 FLOAT PARTS MANUAL

WHEELWELL ASSEMBLY – AMPHIBIAN, FIGURE 5

<u>REF NO.</u>	<u>NO.</u>	<u>REQ.</u>	<u>PART DESCRIPTION</u>	<u>PART NO.</u>	
1	1		ASS'Y – WHEELWELL HALF L.	21A01000-289	
	1		PANEL – FORMED L.	21A01158-185	
	1		RING – COVER REINFORCEMENT	13A01156-124	
	1		COVER	21A01158-163	
	28		SCREW	AN526-632R6	
	1	1		ASS'Y – WHEELWELL HALF R.	21A01000-290
		1		PANEL – FORMED R.	21A01158-186
		1		RING – COVER REINFORCEMENT	13A01156-124
		1		COVER	21A01158-163
		28		SCREW	AN526-632R6
		2	1		ASS'Y – WHEELWELL PANEL – OUTBR'D L.
1			ASS'Y - WHEELWELL PANEL – OUTBR'D R.	21A01000-256	
3	1		ASS'Y – WHEELWELL PANEL – INBR'D L.	21A01000-255	
	1		ASS'Y - WHEELWELL PANEL – INBR'D R.	21A01000-254	
4	1		CARRY-THRU STRAP OUTBR'D L.	21A01017-005	
	1		CARRY-THRU STRAP OUTBR'D R.	21A01017-004	
5	1		CARRY-THRU STRAP INBR'D L.	21A01017-003	
	1		CARRY-THRU STRAP INBR'D R.	21A01017-002	
6	1		CARRY-THRU STRAP INBR'D L.	21A01017-007	
	1		CARRY-THRU STRAP INBR'D R.	21A01017-006	
	1		ANGLE – ATTACH AFT L.	21A01156-131	
	1		ANGLE – ATTACH AFT R.	21A01156-132	
	1		SHIM	21A01156-125	
	2		ANGLE – ATTACH FWD	21A01326-015	
7	1		SAND GUARD ASS'Y (NOT SHOWN)	21A01000-398	
	1		SAND GUARD (NOT SHOWN)	21A01150-136	
	4		SCREW	AN526-1032R8	
	4		NUT PLATE	MS21078-3	
8	1		MUD FLAP (NOT SHOWN)	21A01569-001	
	1		REINFORCEMENT	21A01150-135	



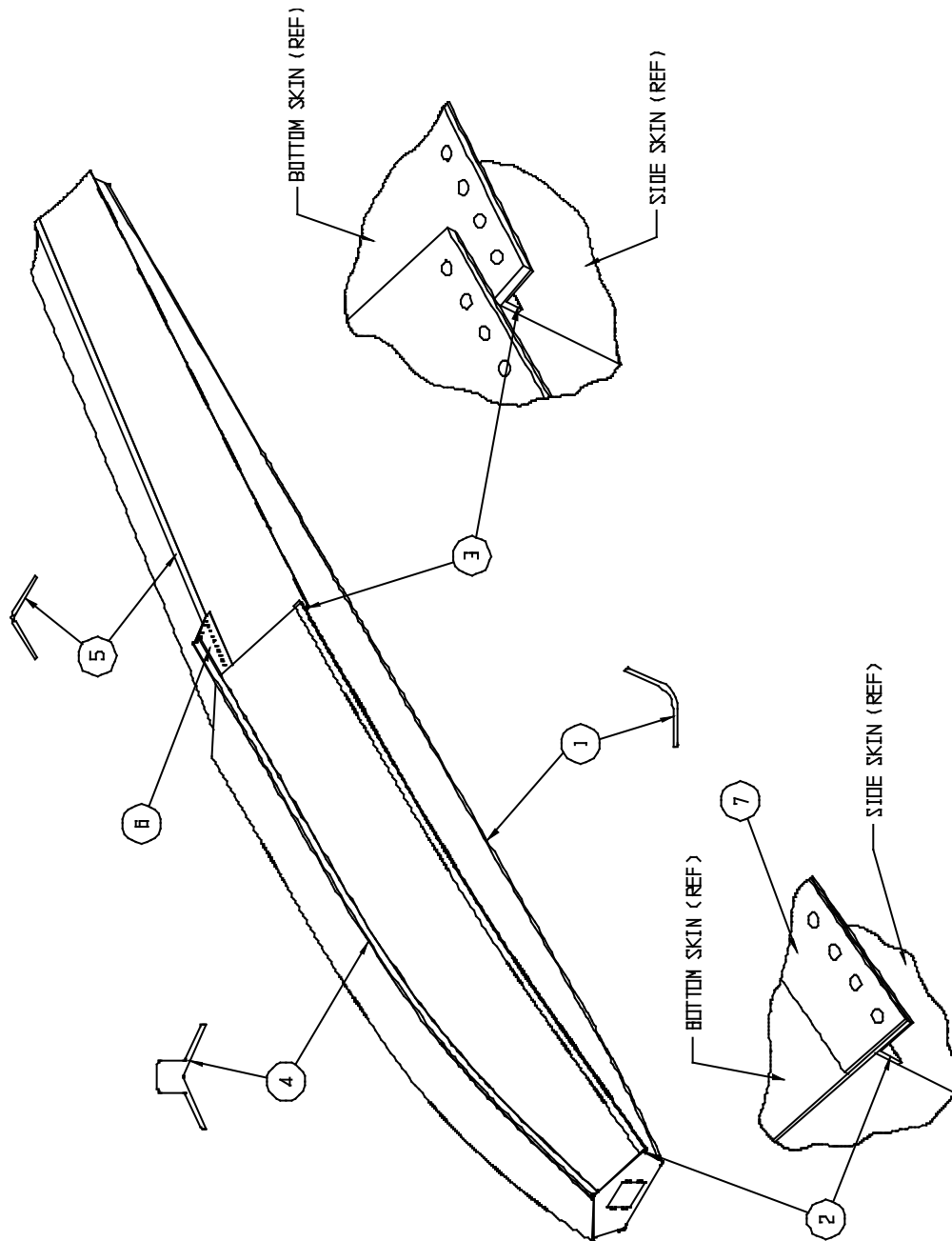
EXTRUSIONS – HULL – AMPHIBIAN
FIGURE 6

WIPLINE MODEL 2100 FLOAT PARTS MANUAL

EXTRUSION – HULL – AMPHIBIAN, FIGURE 6

<u>REF NO.</u>	<u>NO.</u>	<u>REQ.</u>	<u>PART DESCRIPTION</u>	<u>PART NO.</u>
1	1		GUNWALL – L.	21A01324-001
	1		GUNWALL – R.	21A01324-002
2	1		CHINE - FWD L.	21A01340-109
	1		CHINE – FWD R.	21A01340-108
3	1		CHINE – AFTERBODY L.	21A01340-107
	1		CHINE – AFTERBODY R.	21A01340-106
4	1		KEEL - MAIN	21A01321-001
5	1		KEEL - AFTERBODY	21A01008-142
6	1		STRAP CHINE – L.	21A01005-267
	1		STRAP CHINE – R.	21A01005-268

WIPLINE MODEL 2100 FLOAT PARTS MANUAL



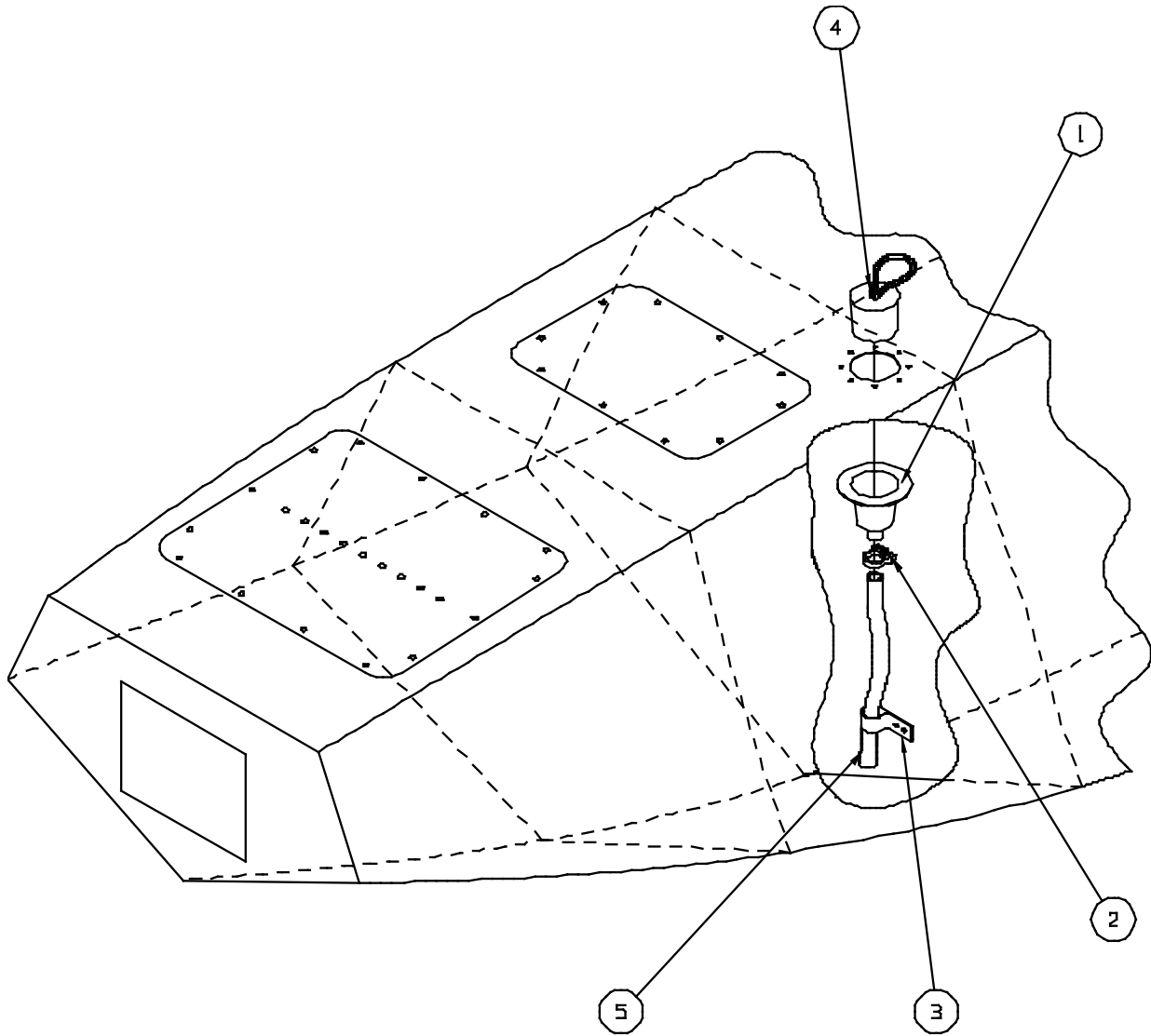
EXTRUSIONS – HULL – SEAPLANE
FIGURE 7

WIPLINE MODEL 2100 FLOAT PARTS MANUAL

EXTRUSION – HULL – SEAPLANE, FIGURE 7

<u>REF NO.</u>	<u>NO.</u>	<u>REQ.</u>	<u>PART DESCRIPTION</u>	<u>PART NO.</u>
1	1		GUNWALL – L.	21A01324-001
	1		GUNWALL – R.	21A01324-002
2	1		CHINE - FWD L.	21A01340-109
	1		CHINE – FWD R.	21A01340-108
3	1		CHINE – AFTERBODY L.	21A01340-107
	1		CHINE – AFTERBODY R.	21A01340-106
4	1		KEEL - MAIN	21S01321-004
5	1		KEEL - AFTERBODY	21S01008-172
6	1		AFTERBODY GUSSET SUPPORT ASSY.	21S01000-400
	1		ANGLE SUPPORT – AFTERBODY L.	21S01163-037
	1		ANGLE SUPPORT – AFTERBODY R.	21S01163-038
7	1		STRAP CHINE – L.	21A01005-267
	1		STRAP CHINE – R.	21A01005-268

WIPLINE MODEL 2100 FLOAT PARTS MANUAL



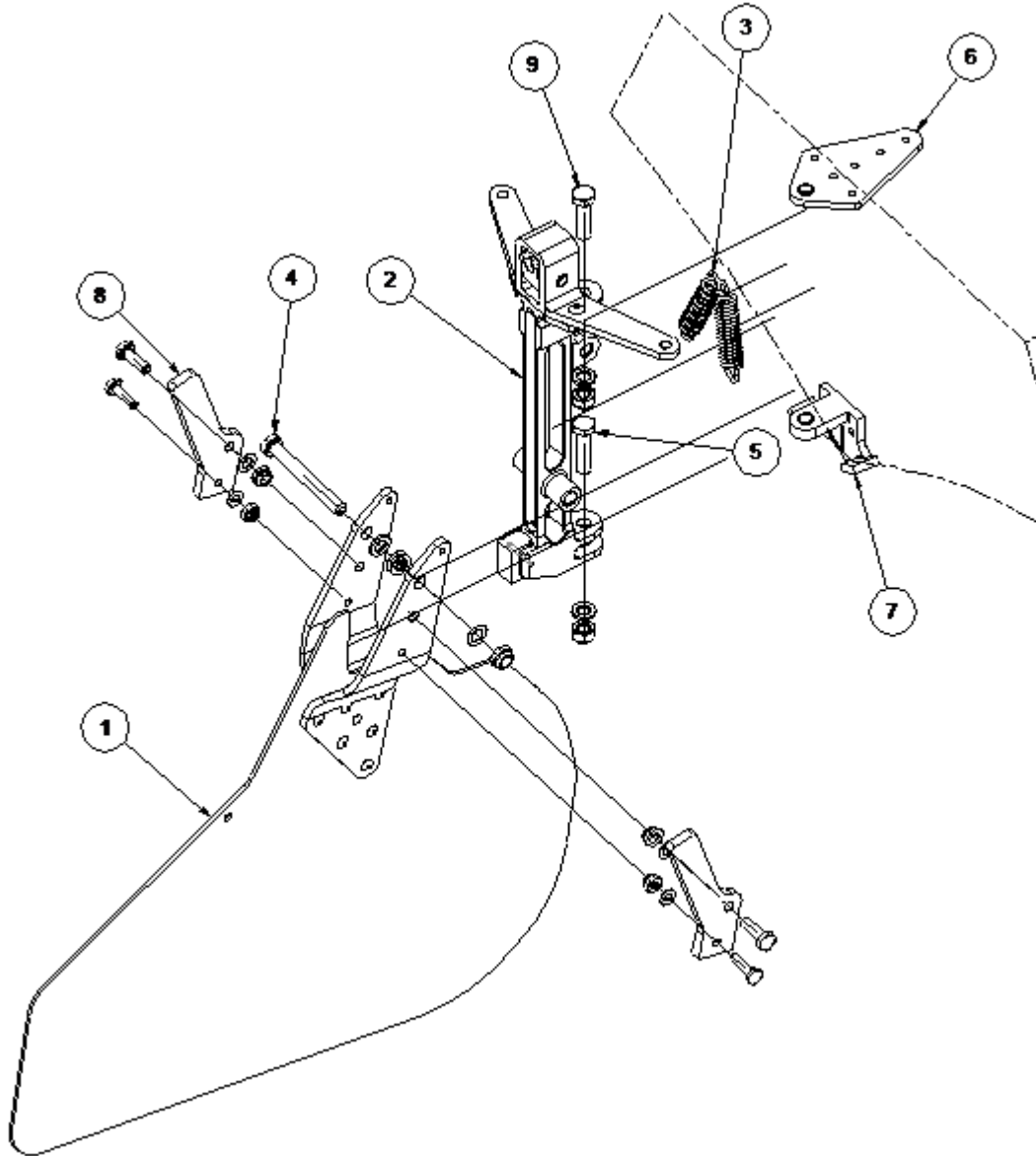
PUMPER TUBE INSTALLATION
FIGURE 8

WIPLINE MODEL 2100 FLOAT PARTS MANUAL

PUMPER TUBE INSTALLATION, FIGURE 8

<u>REF NO.</u>	<u>NO.</u>	<u>REQ.</u>	<u>PART DESCRIPTION</u>	<u>PART NO.</u>
1	1		CUP – PUMPOUT ALUM. A/R RIVETS	4A01749-001 MS20470AD04-4
2	1		CLAMP – UPPER END	57134
3	1		CLAMP – LOWER END	3A01158-003
4	1		STOPPER – PUMPER TUBE	2111
5	1		PUMPOUT TUBE 10.5 IN.	21A01618-062
	1		PUMPOUT TUBE 12.5 IN.	21A01648-061
	1		PUMPOUT TUBE 15.0 IN.	21A01648-060
	1		PUMPOUT TUBE 17.5 IN.	21A01618-059
	1		PUMPOUT TUBE 23.0 IN.	21A01648-058
	1		PUMPOUT TUBE 21.5 IN.	21A01648-056
	1		PUMPOUT TUBE 18.5 IN.	21A01648-055

WIPLINE MODEL 2100 FLOAT PERTS MANUAL



INSTALLATION WATER RUDDER
FIGURE 9

WIPLINE MODEL 2100 FLOAT PARTS MANUAL

INSTALLATION WATER RUDDER, FIGURE 9

<u>REF NO.</u>	<u>NO.</u>	<u>REQ.</u>	<u>PART DESCRIPTION</u>	<u>PART NO.</u>
1	1		ASSY. - BLADE	21A08000-123
	1		BLADE	1002649
	1		ARM L.	21A08019-001
	1		ARM R.	21A08019-002
2	1		WATER RUDDER POST WITH BELLCRANK ASSEMBLY	1003858
	1		WATER RUDDER POST ASSEMBLY	1003854
	1		BELLCRANK, WATER RUDDER POST ASSEMBLY	1003853
	1		BUMBER, DOWN STOP	21A08648-002
	1		ROLL PIN	1001457
	1		GUIDE, RETRACT	21A8602-009
	1		PIN ATTACH	5/16 x 1 ½ inches
3	2		SPRING	21A08525-006
4	1		BOLT - ATTACH	AN5-25A
	3		WASHER	NAS1149D0516J
	1		WASHER	NAS 1149D0563J
	1		NUT	MS21083N5
5	1		BOLT, ATTACH	AN5-11A
	A/R		WASHER	NAS1149D0563J
	1		NUT	MS21044N5
6	1		ASSEMBLY – TOP BEARING	21A01000-299
	1		PLATE	21A01019-003
	1		BEARING	21A01705-003
7	1		ASSEMBLY – LOWER BEARING	21A08000-157
	1		BRACKET	21A08318-002
	1		BEARING	05DU06
8	2		STOP	21A08154-009
	2		BOLT – ATTACH LOWER	AN4-6A
	2		WASHER	NAS1149D0416J

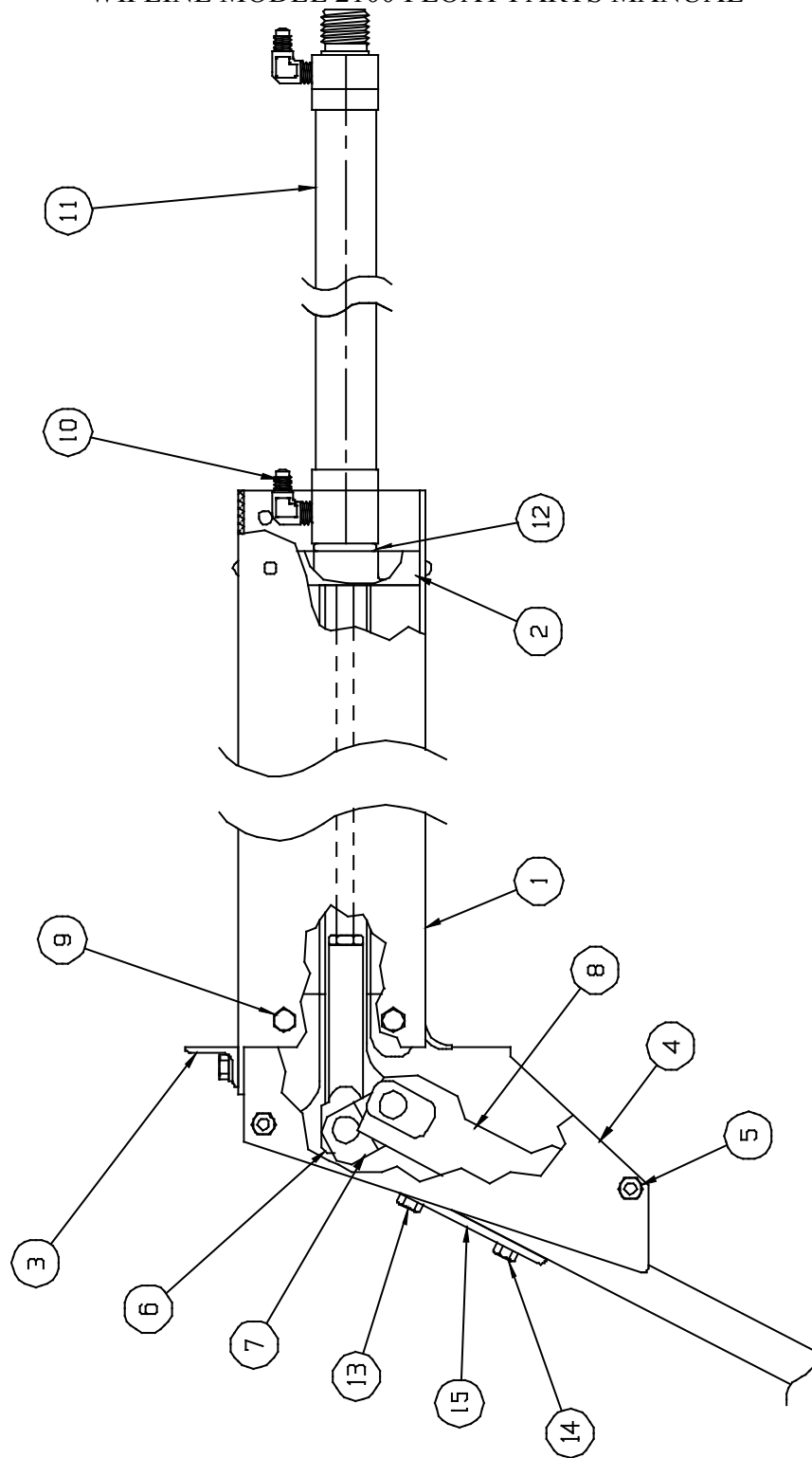
WIPLINE MODEL 2100 FLOAT PARTS MANUAL

INSTALLATION WATER RUDDER, FIGURE 9

<u>REF NO.</u>	<u>NO. REQ.</u>	<u>PART DESCRIPTION</u>	<u>PART NO.</u>
	2	NUT	MS21083N4
	2	BOLT – ATTACH LOWER	AN3-6A
	2	WASHER	NAS1149D0316J
	2	NUT	MS21044N3
9	1	BOLT, ATTACH	AN5-12A
		A/R WASHER	NAS1149D0563J
	1	NUT	MS21044N5

THIS PAGE INTENTIONALLY LEFT BLANK

WIPLINE MODEL 2100 FLOAT PARTS MANUAL



ASSEMBLY - NOSE GEAR RETRACTION
FIGURE 10

WIPLINE MODEL 2100 FLOAT PARTS MANUAL

ASSEMBLY – NOSE GEAR RETRACTION, FIGURE 10

<u>REF NO.</u>	<u>NO.</u>	<u>REQ.</u>	<u>PART DESCRIPTION</u>	<u>PART NO.</u>
1	1		ASSY. – NOSE BOX	21A07000-015
	1		NOSE – BOX	21A07323-001
	1		COVER – ACCESS	8A01008-080
	1		GASKET	30A07567-011
	4		SCREW	AN526-1032R4
2	1		END – CAP - AFT	21A07237-002
3	1		ANGLE	21A07359-194
	2		BOLT	AN4-6A
	2		WASHER	NAS1149D0463J
	2		WASHER	NAS1149D0416J
	2		NUT	MS21044N4
4	1		TRACK – NOSE END L.	21A07349-003
	1		TRACK – NOSE END R.	21A07349-004
5	2		BOLT	AN4-53A
	4		WASHER	NAS1149D0416J
	2		NUT	NAS5679-A4W
6	1		ROD END - RAM	21A07094-002
	1		NUT - JAMB	AN316-5R
7	1		LINK – DOWN LOCK	21A07032-005
	1		AXLE – SHAFT	21A07509-007
	2		ROLLER	3A07530-001
	2		SNAP RING	5100-46-H
8	1		TROLLEY – SPRING ATTACH	21A07187-009
	2		AXLES - SHAFT	34A07509-008
	4		BLOCK - SLIDE	3A07604-001
9	4		BOLT	AN4-5A
	4		WASHER	NAS1149D0463J

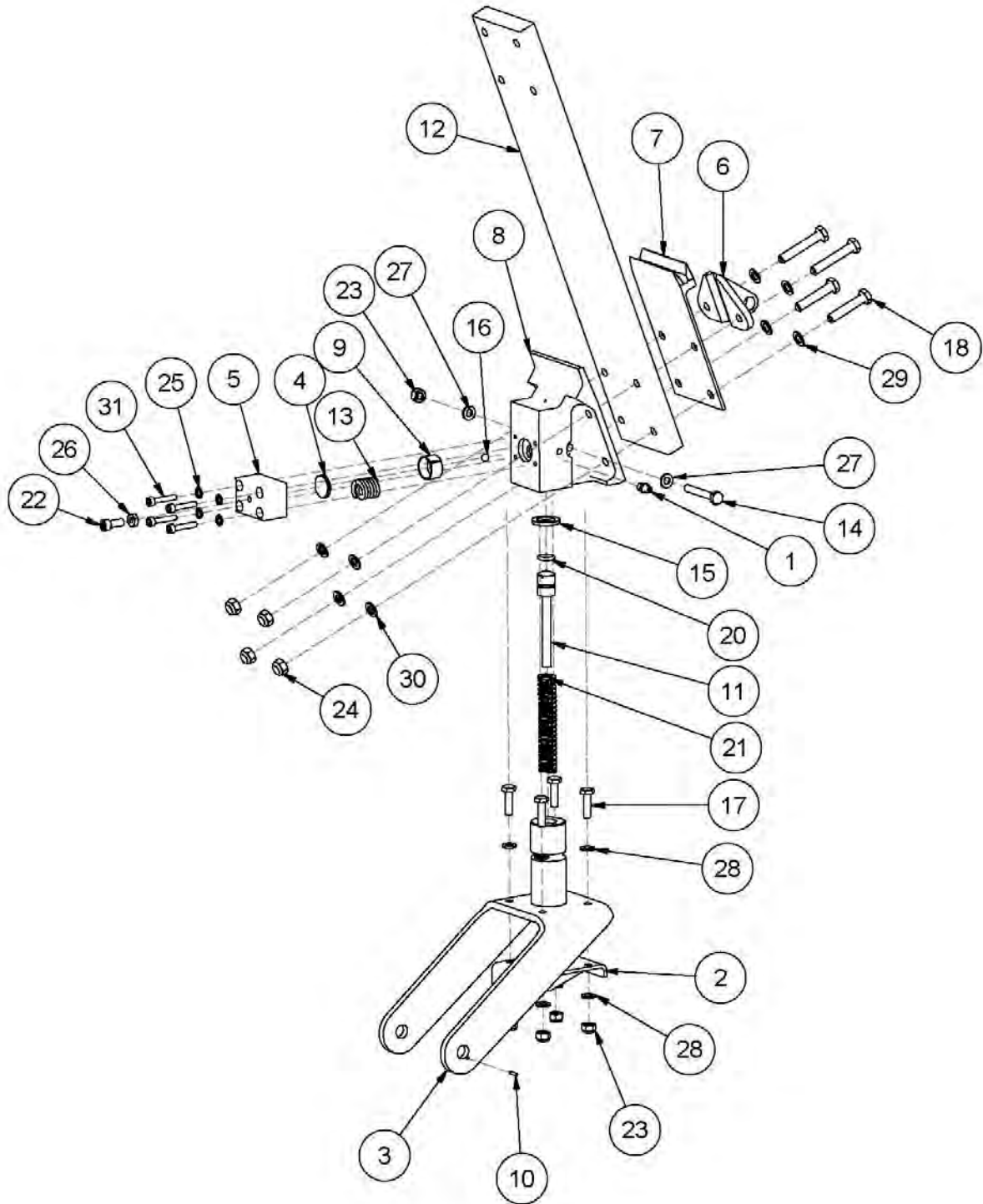
WIPLINE MODEL 2100 FLOAT PARTS MANUAL

ASSEMBLY – NOSE GEAR RETRACTION, FIGURE 10

<u>REF NO.</u>	<u>NO. REQ.</u>	<u>PART DESCRIPTION</u>	<u>PART NO.</u>
	8	WASHER	NAS1149D0416J
	4	NUT	NAS5679-A4W
10	1	ELBOW	MS20822-4D
11	1	HYDRAULIC CYLINDER	1002571
12	A/R	WASHER	NAS1149D1416J
13	2	BOLT	AN5-20A
		A/R WASHER	NAS1149F0563P
	2	NUT	MS21044N5
14	2	BOLT	AN5-21A
		A/R WASHER	NAS1149F0563P
	2	NUT	MS21044N5
15	1	PLATE – BEARING UPPER	21A06166-001
	2	CLIP-MAGNETIC INDICATOR (NOT SHOWN)	21A09005-262
	2	PROXIMITY SWITCH (NOT SHOWN)	5801
	4	SCREW (NOT SHOWN)	MS35206-215

THIS PAGE INTENTIONALLY LEFT BLANK

WIPLINE MODEL 2100 FLOAT PARTS MANUAL



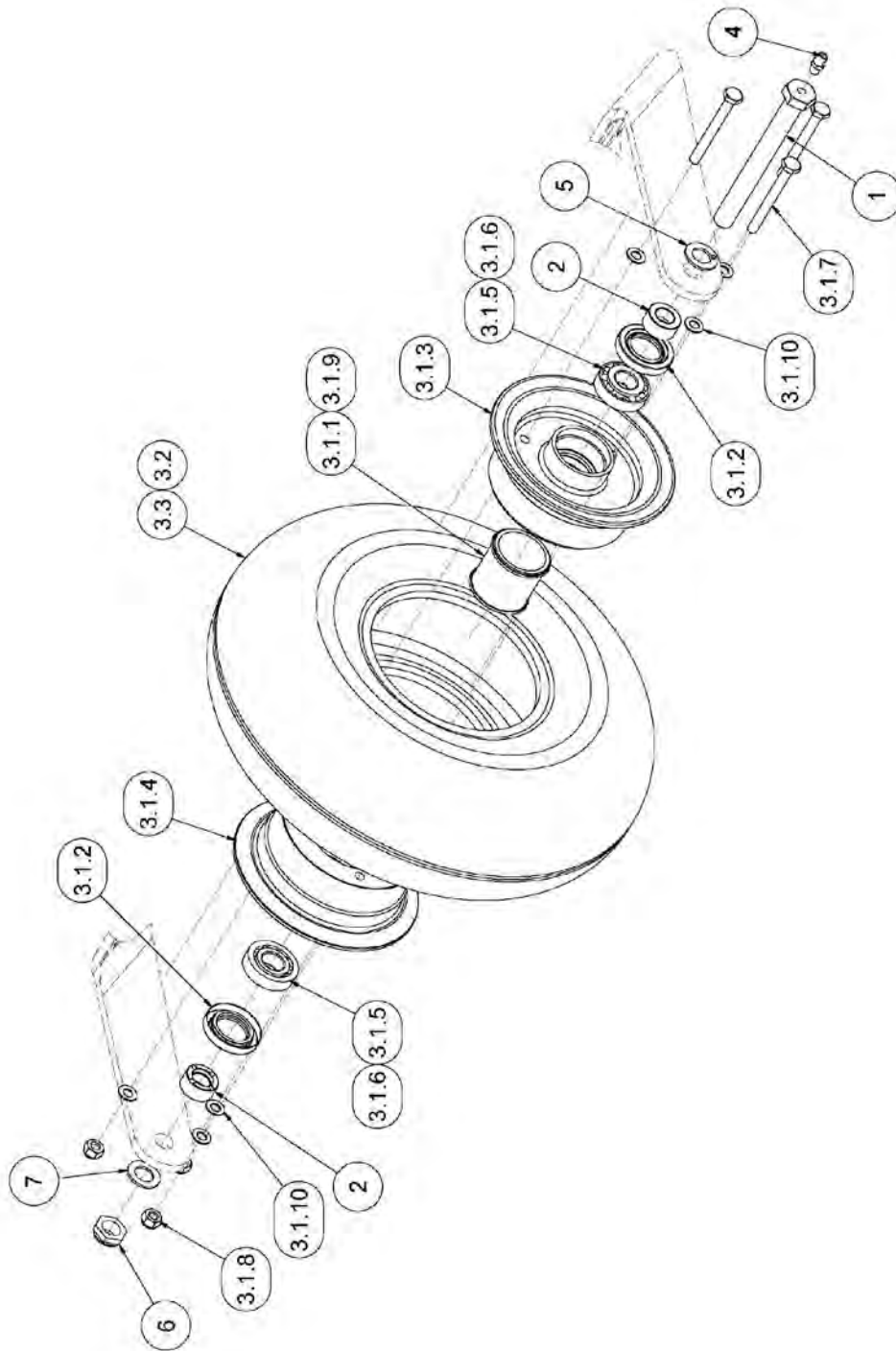
ASSEMBLY – NOSE GEAR – LOWER
FIGURE 11

WIPLINE MODEL 2100 FLOAT PARTS MANUAL

ASSEMBLY – NOSE GEAR LOWER, FIGURE 11

<u>REF</u> <u>NO.</u> <u>NO.</u>	<u>NO.</u> <u>REQ.</u> <u>NO.</u>	<u>PART DESCRIPTION</u>	<u>PART</u>
1	1	COMMON GREASEZERK	1095K41
2	1	WELDMENT, PIVOT SHAFT, FORK, NOSE GEAR	21A06000-020
3	1	FORK, NOSE GEAR (2100)	21A06020-001
4	1	PRESSURE PLATE	21A06160-053
5	1	BLOCK - SPRING	21A06194-005
6	1	TOW HOOK NOSE GEAR	21A06213-006
7	1	BEARING PLATE, LOWER, NOSE GEAR	21A06237-001
8	1	BLOCK - PIVOT, NOSE GEAR	21A06318-005
9	1	FRICITION CUP	21A06475-006
10	1	PIN, ANTIROTATION	21A06476-003
11	1	PLUNGER- NOSE WHEEL, 21,23,3,34	21A06605-002
12	1	SPRING NOSE GEAR	21A06653-001
13	1	PRESSURE SPRING	21A06705-005
14	1	BOLT - MODIFIED, PIVOT BLOCK	30A06702-016
15	1	THRUST WASHER	3A06602-001
16	1	1/4" CHROME BALL BEARING	9528K15
17	4	BOLT	AN4-7A
18	2	BOLT	AN5-14A
19	2	BOLT	AN5-16A
20	1	O-RING	AN6227-9
21	1	SPRING	M62-350
22	1	SOCKET HEAD CAP SCREW	MS16997-60
23	5	NUT	MS21044N4
24	4	NUT	MS21044N5
25	4	STAR WASHER	MS35333-39
26	1	NUT	MS35649-2252
27	2	WASHER	NAS1149D0463J
28	8	WASHER	NAS1149F0463P
29	4	WASHER	NAS1149F0532P
30	4	WASHER	NAS1149F0563P
31	4	SOCKET HEAD CAP SCREW	NAS1352-316P

WIPLINE MODEL 2100 FLOAT PARTS MANUAL



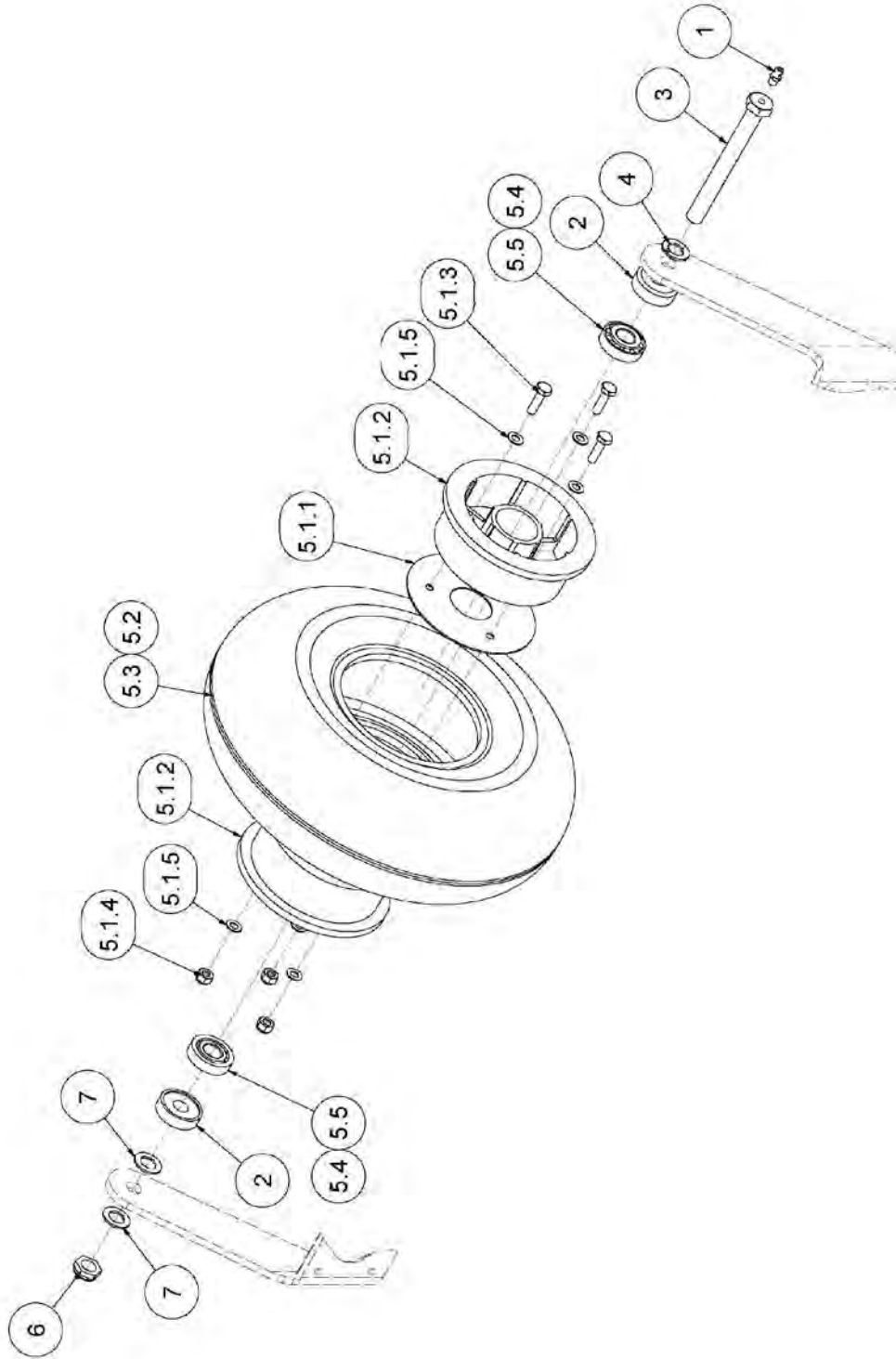
ASSEMBLY – NOSE WHEEL (GROVE)
FIGURE 12A

WIPLINE MODEL 2100 FLOAT PARTS MANUAL

ASSEMBLY – NOSE WHEEL (GROVE), FIGURE 12A

<u>REF</u> <u>NO.</u> <u>NO.</u>	<u>NO.</u> <u>REQ.</u> <u>NO.</u>	<u>PART DESCRIPTION</u>	<u>PART</u>
1	1	BOLT, AXLE, NOSE GEAR	1005927
2	2	SPACER	1005929
3	1	ASSEMBLY, NOSE WHEEL	1005931
3.1	1	ASSEMBLY, WHEEL, GROVE	49-12AF-001
3.1.1	1	GREASE RETAINER	010-019
3.1.2	2	SEAL	010-026
3.1.3	1	WHEEL HALF INNER	015-020A
3.1.4	1	WHEEL HALF OUTER	016-020AF
3.1.5	2	BEARING CORE	A4050
3.1.6	2	BEARING CONE	A4138
3.1.7	3	BOLT	AN4-23A
3.1.8	3	NUT	MS21044N-4
3.1.9	2	O-RING	MS28775-029
3.1.10	6	WASHER	NAS1149F0416
3.2	1	TIRE	XA1AA
3.3	1	TUBE	AD1A2
4	1	COMMON GREASEZERK	1095K41
5	1	MODIFIED WASHER	3A06702-003
6	1	NUT	MS21083N8
7	1	WASHER	NAS1149D0863J

WIPLINE MODEL 2100 FLOAT PARTS MANUAL

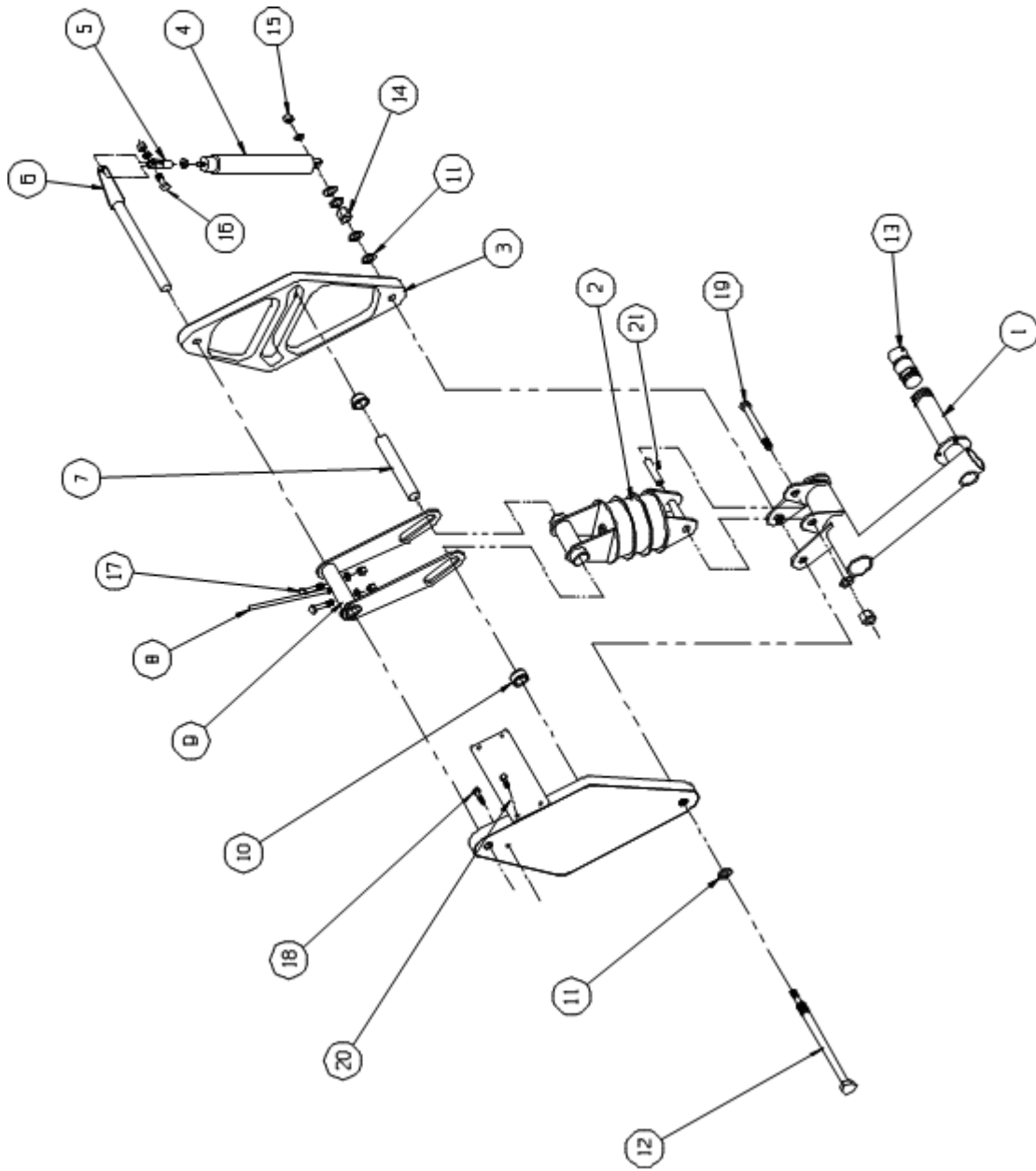


ASSEMBLY – NOSE WHEEL (PARKER)
FIGURE 12B

WIPLINE MODEL 2100 FLOAT PARTS MANUAL
 ASSEMBLY – NOSE WHEEL (PARKER), FIGURE 12B

<u>REF NO.</u>	<u>NO.</u>	<u>REQ.</u>	<u>PART DESCRIPTION</u>	<u>PART NO.</u>
1	1		COMMON GREASEZERK	1095K41
2	2		SPACER	3A06259-001
3	1		MODIFIED BOLT	3A06702-002
4	1		MODIFIED WASHER	3A06702-003
5	1		NOSE WHEEL ASSEMBLY	21A06000-021
5.1	1		PARKER WHEEL ASSEMBLY	D-30380
5.1.1	1		GASKET	068-30373
5.1.2	2		WHEEL HALF	161-30382
5.1.3	3		BOLT	AN4-7A
5.1.4	3		NUT	MS21044N4
5.1.5	6		WASHER	NAS1149F0432P
5.2	1		TIRE	XA1AA
5.3	1		TUBE	AD1A2
5.4	2		BEARING CORE	A4050
5.5	2		BEARING CONE	A4138
6	1		NUT	MS21083N8
7	2		WASHER	NAS1149D0863J

WIPLINE MODEL 2100 FLOAT PARTS MANUAL



INSTALLATION – MAIN GEAR RETRACTION
FIGURE 13

WIPLINE MODEL 2100 FLOAT PARTS MANUAL

INSTALLATION – MAIN GEAR RETRACTION, FIGURE 13

<u>REF NO.</u>	<u>NO.</u>	<u>REQ.</u>	<u>PART DESCRIPTION</u>	<u>PART NO.</u>
1	1		ASS'Y – DRAG LINK L.	21A04000-077
	1		ASS'Y – DRAG LINK R.	21A04000-076
	2		BEARING	08FDU10
2	1		ASS'Y SHOCK STRUT	21A04000-073
	1		ASS'Y – LOWER END	21A04000-075
	2		ZERK – GREASE	1095K41
	2		WASHER	NAS1149D0416J
	2		WASHER	NAS1149D0463J
	1		DUAL BUSHING ASSEMBLY	1002087
	1		BUSHING ASSEMBLY	1001011
	1		RETAINING PIN	21A04503-004
	1		COTTER PIN	MS24665-151
	1		SLEEVES	21A04585-002
3	1		TRACK – MAIN GEAR L.	21A05114-005
	1		TRACK – MAIN GEAR R.	21A05114-006
	1		BEARING - UPPER	10DU12
	1		BEARING – LOWER	08DU12
4	1		CYLINDER	1002574
	2		FITTING - ELBOW	MS20822-4D
5	1		ROD END	21A05705-002
	1		JAMB NUT	AN316-5
	1		SPACER	21A05260-005
	1		CHAMFERED WASHER	MS20002C6
			(CHAMFERED EDGE GOES AGAINST CYLINGER)	
6	1		ARM – RETRACT L.	21A05000-017
	1		ARM – RETRACT R.	21A05000-016
7	1		AXLE – SHOCK STRUT	21A04454-006

WIPLINE MODEL 2100 FLOAT PARTS MANUAL

INSTALLATION – MAIN GEAR RETRACTION, FIGURE 13

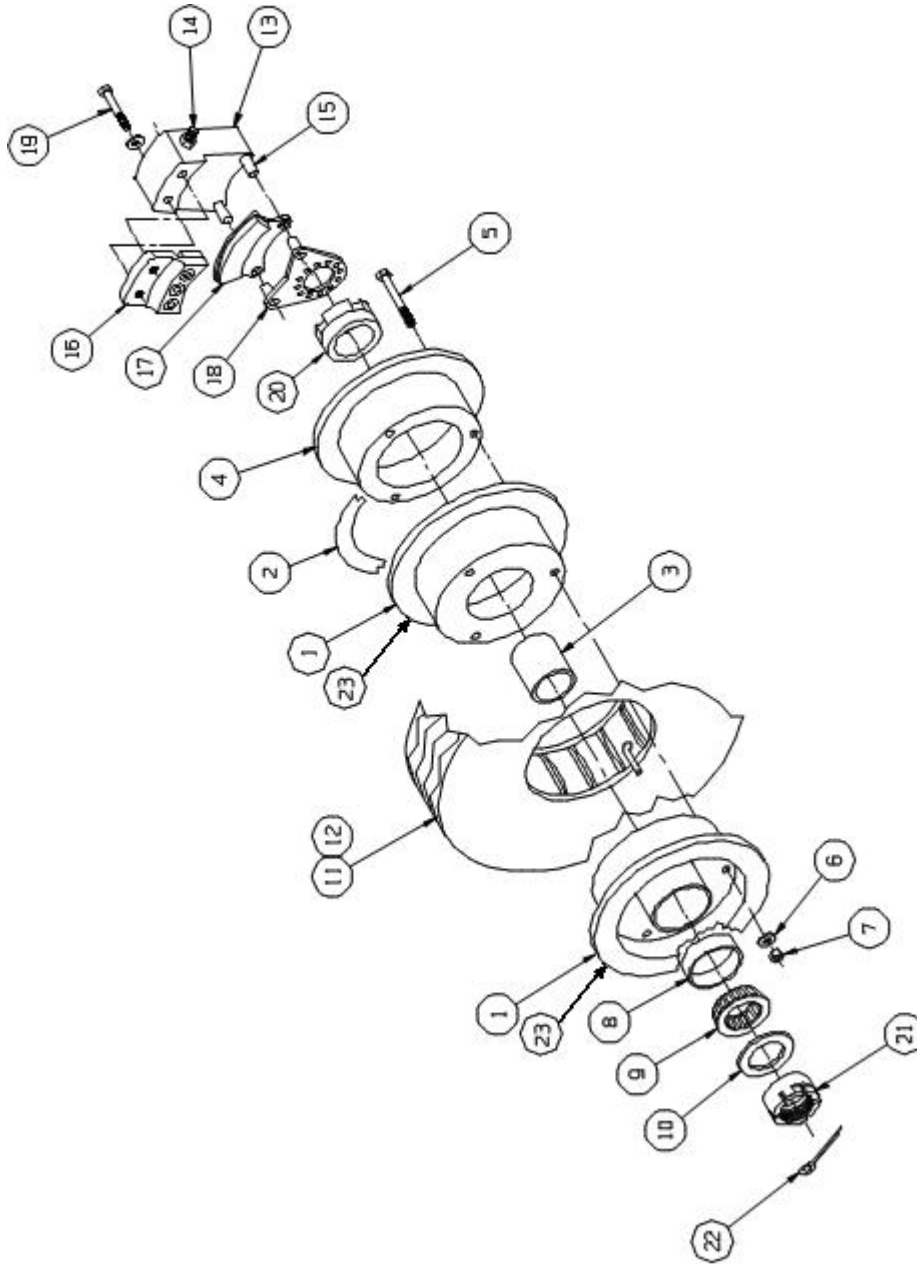
<u>REF NO.</u>	<u>NO. REQ.</u>	<u>PART DESCRIPTION</u>	<u>PART NO.</u>
8	1	INDICTATOR ASS'Y	21A05000-022
9	1	GEAR ACTUATOR	21A05000-018
10	2	ROLLER – TRACK	21A05520-003
11	2	WASHER – SEALING	93783A033
12	1	BOLT – ASSEMBLY	21A05000-019
	1	BOLT	21A05735-001
	1	STUD	21A05476-002
13	1	RETAINER - GREASE	21A04263-007
	2	“O” RING	MS28775-210
	1	ZERK – GREASE	1095K41
14	1	NUT	MS21044N8
	2	WASHER	NAS1149F0863P
15	1	NUT	MS21083N5
	A/R	WASHER	NAS1149F0563P
16	1	BOLT	AN5-11A
	2	WASHER	NAS1149F0563P
	1	NUT	MS21044N5
17	2	BOLT	AN4-13A
	4	WASHER	NAS1149D0416J
	2	NUT	MS21044N4
18	8	BOLT – TRACK ATTACH	AN3-6A
	8	WASHER	NAS1149D0316J
	8	WASHER	NAS1149D0363J
	8	NUT	MS21044N3

WIPLINE MODEL 2100 FLOAT PARTS MANUAL

INSTALLATION – MAIN GEAR RETRACTION, FIGURE 13

<u>REF NO.</u>	<u>NO. REQ.</u>	<u>PART DESCRIPTION</u>	<u>PART NO.</u>
19	1	BOLT	AN8-33A
	1	WASHER	NAS1149F0832P
	1	WASHER	NAS1149F0863P
	1	NUT	MS21044N8
20	1	PLATE - SEPARATING	21A05003-079
	4	BOLT	AN3-5A
	8	WASHER	NAS1149D0316J
	4	NUT	MS21044N3
21	1	BUSHING - LOWER SHOCK STRUT	21A04547-004
	2	CLIP, MAGNETIC INDICATOR (NOT SHOWN)	21A09005-262
	2	PROXIMITY SWITCH (NOT SHOWN)	5801
	4	SCREW (NOT SHOWN)	MS35206-215

WIPLINE MODEL 2100 FLOAT PARTS MANUAL



ASSEMBLY – MAIN GEAR WHEEL, GROVE/WIPAIRE
FIGURE 14A

WIPLINE MODEL 2100 FLOAT PARTS MANUAL

ASSEMBLY – MAIN GEAR WHEEL, GROVE/WIPAIRE - FIGURE 14A

<u>REF NO.</u>	<u>NO.</u>	<u>PART DESCRIPTION</u>	<u>PART NO.</u>
1	1	ASS'Y – WHEEL AND BRAKE (COMPLETE) INCLUDES ALL ITEMS BELOW EXCEPT TIRE & TUBE	1002141
2	1	GASKET - TEFLON	3A04620-001
3	1	GREASE RETAINER	010-009
4	1	BRAKE DISC	018-001
5	3	BOLT	AN4-23A
6	3	WASHER	NAS1149F0432P
7	3	NUT	MS21044N4
8	2	BEARING RACE (CHROME)	08231-20027
9	2	BEARING CUP	08125-20027
10	2	SEAL - INSIDE/OUTSIDE	473237
11	1	TIRE –TYPE III 500 x 5, 6 PLY	AA1D4
12	1	TUBE 500 X 5	XA1AC
13	1	BRAKE ASSEMBLY	32-1
	2	PISTON	017-003
	2	O-RING	MS28775-217
14	1	BLEEDER ASSEMBLY	220-0063
	1	FITTING 45° BRAKE LINE	MS20823-3D
15	2	TORQUE PIN	013-001
	2	NUT	MS21044N4

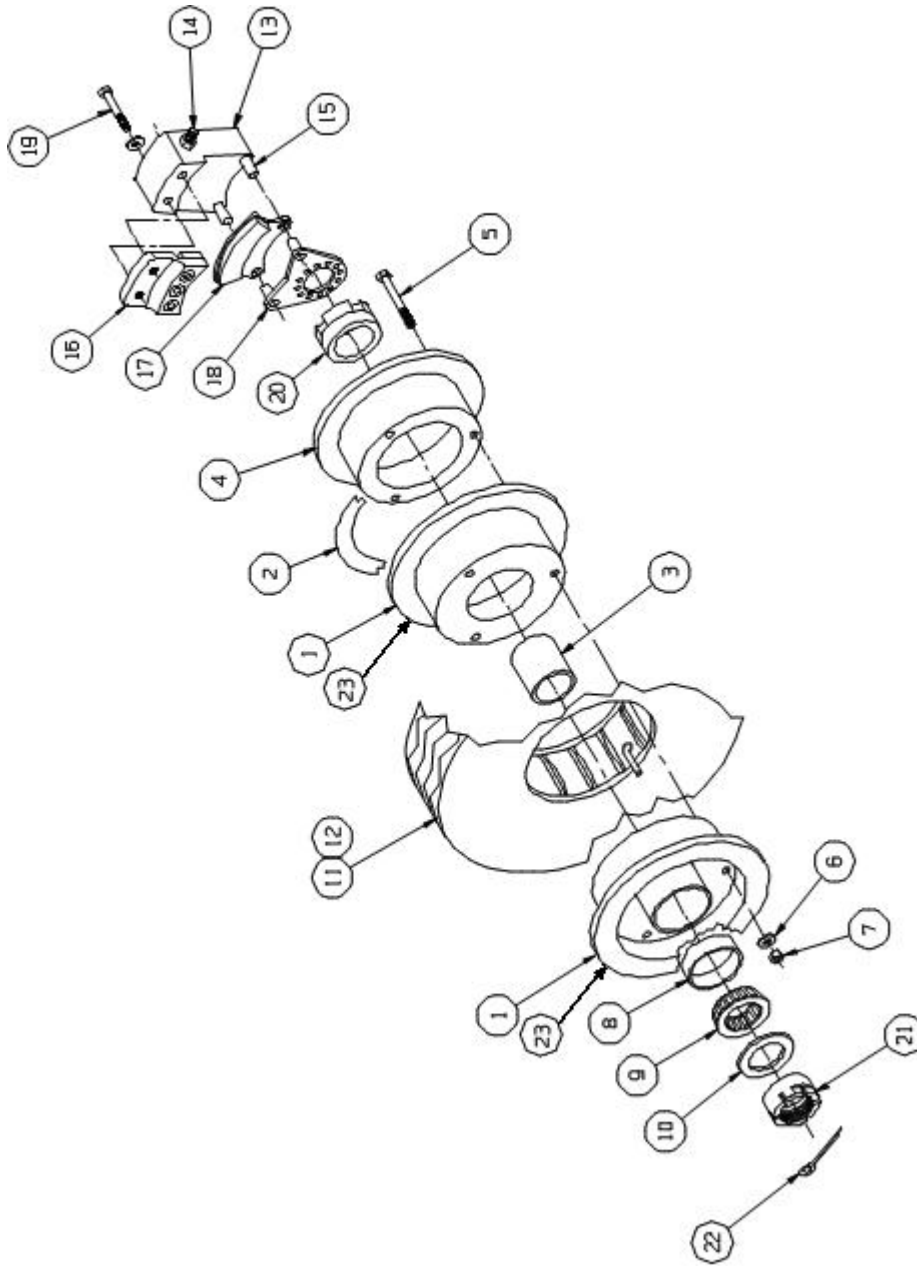
WIPLINE MODEL 2100 FLOAT PARTS MANUAL

ASSEMBLY – MAIN GEAR WHEEL, GROVE/WIPAIRE - FIGURE 14A

<u>REF NO.</u>	<u>NO.</u>	<u>REQ.</u>	<u>PART DESCRIPTION</u>	<u>PART NO.</u>
16	1		ASS'Y – BACK PLATE	10-3
	1		PAD	66-111
	3		RIVET	105-2
17	1		ASS'Y – PRESSURE PLATE	11-2
	1		LINING	66-111
	3		RIVET	105-2
18	1		BRAKE TORQUE PLATE	020-001
19	3		BOLT	AN4H-15A
	3		WASHER	NAS1149F0432P
20	1		SPACER	3A04093-001
21	1		NUT – AXLE	3A04268-003
22	1		COTTER PIN	MS24665-351
23	1		WHEEL HALF-INNER	015-002
	1		WHEEL HALF-OUTER	016-002
			(HALVES NOT SOLD SEPERATELY)	

THIS PAGE INTENTIONALLY LEFT BLANK

WIPLINE MODEL 2100 FLOAT PARTS MANUAL



ASSEMBLY – MAIN GEAR WHEEL CLEVELAND/PARKER
FIGURE 14B

WIPLINE MODEL 2100 FLOAT PARTS MANUAL

ASSEMBLY – MAIN GEAR WHEEL, CLEVELAND/PARKER, FIGURE 14B

<u>REF NO.</u>	<u>NO.</u>	<u>PART DESCRIPTION</u>	<u>PART NO.</u>
1	1	ASSY. – WHEEL (W/ TUBE & TIRE)	3A04000-002
	1	ASSY. - WHEEL	3A04000-060
2	1	GASKET - TEFLON	3A04620-001
3	1	GREASE RETAINER	3A04616-001
4	1	BRAKE DISC	164-01700
5	3	BOLT	AN4-22A
6	3	WASHER	NAS1149F0432P
7	3	NUT	MS21044N4
8	2	BEARING CUP	8231
		BEARING CUP, CHROME (OPT.)	8231CP
9	2	BEARING CONE	8125
		BEARING CONE, CHROME (OPT.)	8125CP
10	2	SEAL - INSIDE/OUTSIDE	473237
11	1	TIRE –TYPE III	500 X 5, 6 PLY
12	1	TUBE	500 X 5
	1	ASSY. – BRAKE AND TORQUE PLATE	075-00800
13	1	ASSY. – CALIPER (RIGHT)	21A04000-096
	1	ASSY. – CALIPER (LEFT)	21A04000-097
	1	PISTON	062-00300
	1	“O” RING	AN6227-23
	1	FITTING - 45 DEGREES (BRAKE LINE)	MS20823-3D
14	1	SEAT – BLEEDER	081-30619

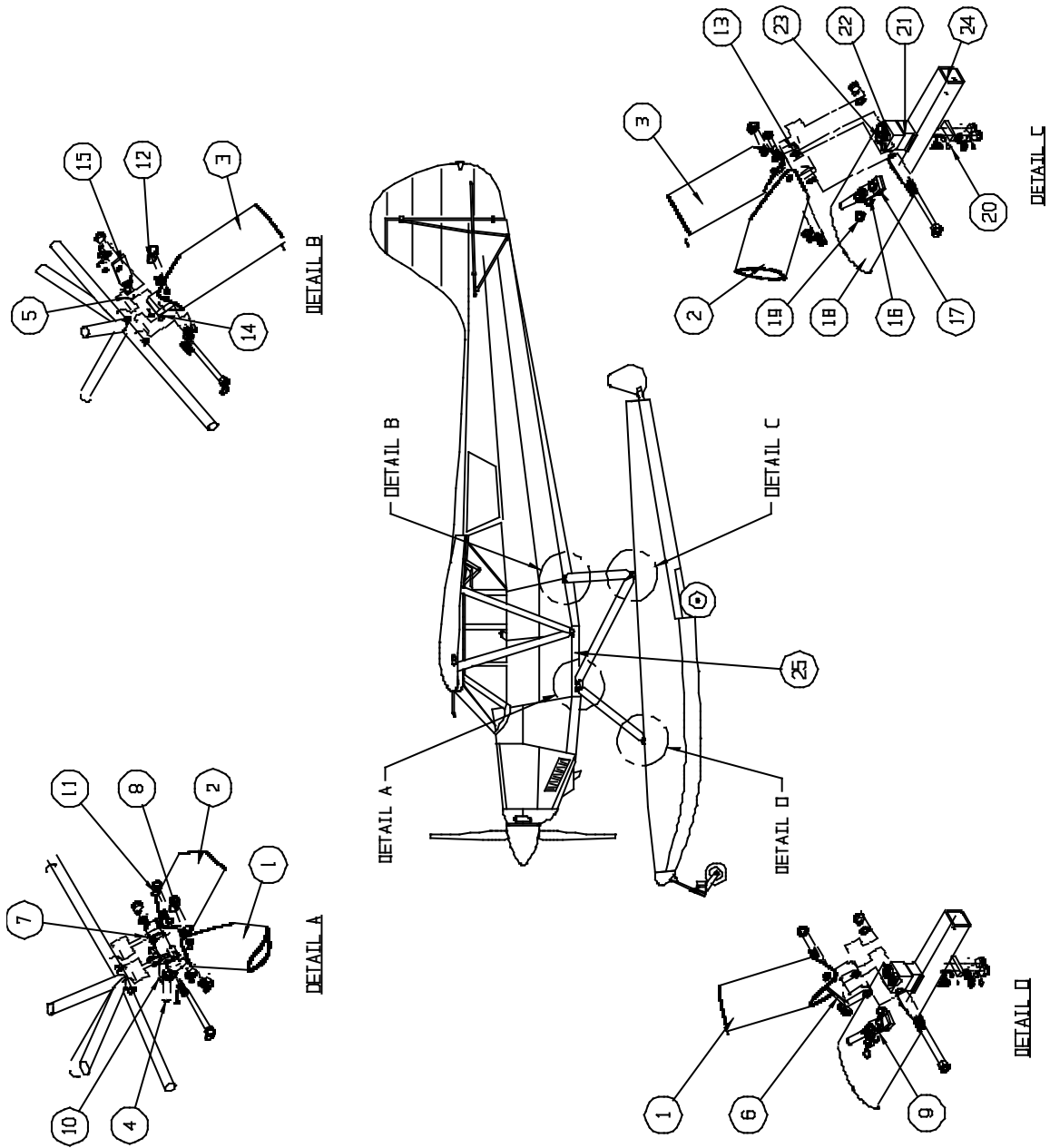
WIPLINE MODEL 2100 FLOAT PARTS MANUAL

ASSEMBLY – MAIN GEAR WHEEL, CLEVELAND/PARKER, FIGURE 14B

<u>REF NO.</u>	<u>NO.</u>	<u>REQ.</u>	<u>PART DESCRIPTION</u>	<u>PART NO.</u>
	1		SCREW – BLEEDER	79-3
	1		CAP – BLEEDER	183-1
15	2		ANCHOR BOLT	069-00400
	2		WASHER	NAS1149F0463P
	2		NUT	MS21044N4
16	1		ASSY. – BACK PLATE	074-02700
	1		PLATE – BACK	064-00500
	1		LINING	066-10600
	3		RIVET	105-2
17	1		ASSY. – PRESSURE PLATE	073-04800
	1		PLATE - PRESSURE	063-00500
	1		LINING	066-10600
	3		RIVET	105-2
18	1		BRAKE TORQUE PLATE - LEFT	3A04711-001
	1		BRAKE TORQUE PLATE – RIGHT	3A04711-002
19	1		BOLT	AN4H15A
	1		WASHER	NAS1149F0432P
20	1		SPACER	3A04093-001
21	1		NUT – AXLE	3A04268-003
22	1		COTTER PIN	MS24665-351
23	1		WHEEL HALF-INNER	015-002
	1		WHEEL HALF-OUTER	016-002
			(HALVES NOT SOLD SEPERATELY)	

THIS PAGE INTENTIONALLY LEFT BLANK

WIPLINE MODEL 2100 FLOAT PARTS MANUAL



INSTALLATION – STRUTS, WIRES AND SPREADER BARS
FIGURE 15

WIPLINE MODEL 2100 FLOAT PARTS MANUAL

INSTALLATION – STRUTS, WIRES, & SPREADER BARS, FIGURE 15

<u>REF NO.</u>	<u>NO.</u>	<u>REQ.</u>	<u>PART DESCRIPTION</u>	<u>PART NO.</u>
1	2		ASS'Y - STRUT - FRONT	21A02000-223
2	2		ASS'Y - STRUT – CENTER	21A02000-224
3	2		ASS'Y – STRUT – REAR	21A02000-225
4	2		ASS'Y – DRAG WIRE – FWD	21A02000-135
	1		CLEVIS L.	AN665-46LS *
	1		CLEVIS R.	AN665-46RS *
	1		CHECK NUT L.	AN316-C5L
	1		CHECK NUT R.	AN316-C5R
	2		PIN – CLEVIS	SP4ZF6
	2		PIN – COTTER	SP90C5
5	2		ASS'Y – DRAG WIRE – AFT	21A02000-134
	1		CLEVIS L.	AN665-46LS *
	1		CLEVIS R.	AN665-46RS *
	1		NUT CHECK L.	AN316-C5L
	1		NUT CHECK R.	AN316-C5R
	2		PIN – CLEVIS	SP4ZF6
	2		PIN – COTTER	SP90C5
6	2		FITTING – LOWER FRONT STRUT	21A02062-007
	2		BOLT – ATTACH TO FLOAT	AN6-33A
	2		WASHER	NAS1149D0663J
	2		NUT	MS21044N6
7	1		FITTING – UPPER FRONT STRUT L.	21A02067-003
	1		FITTING – UPPER FRONT STRUT R.	21A02067-004
	2		BOLT – ATTACH TO FUSELAGE	AN6-45A
	2		WASHER	NAS1149D0663J
	2		NUT	MS21044N6

* “S” DENOTES STAINLESS STEEL

WIPLINE MODEL 2100 FLOAT PARTS MANUAL

INSTALLATION – STRUTS, WIRES, & SPREADER BARS, FIGURE 15

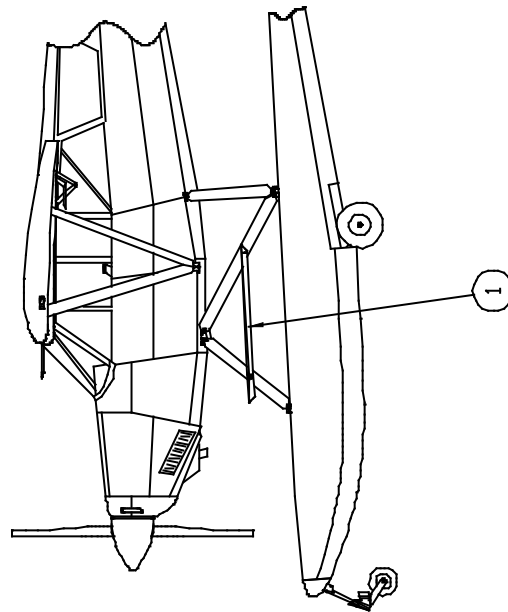
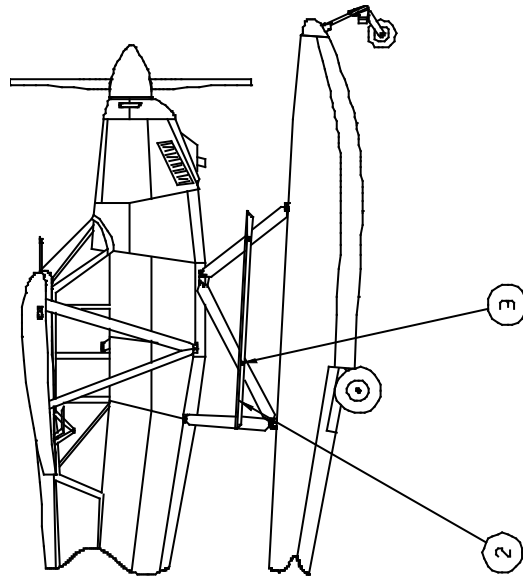
<u>REF NO.</u>	<u>NO.</u>	<u>REQ.</u>	<u>PART DESCRIPTION</u>	<u>PART NO.</u>
8	4		BOLT – ATTACH STRUT TO FITTING	AN6-20A
	4		WASHER	NAS1149D0663J
	4		NUT	MS21044N6
9	2		LUG – WIRE PULL – LOWER FWD	21A02462-004
	2		BOLT – ATTACH TO SPREADER BAR	AN6-25A
	4		WASHER	NAS1149D0616J
	2		NUT	MS21044N6
10	2		LUG – WIRE PULL UPPER FWD	21A02519-003
11	4		BOLT – ATTACH STRUT TO FITTING	AN5-17A
	4		WASHER	NAS1149D0563J
	4		NUT	MS21044N5
12	4		BOLT – ATTACH STRUT TO FITTING	AN6-17A
	4		WASHER	NAS1149D0663J
	4		NUT	MS21044N6
13	1		FITTING REAR STRUT LOWER L.	21A02055-003
	1		FITTING REAR STRUT LOWER R.	21A02055-002
	2		BOLT – ATTACH TO FLOAT	AN6-36A
	4		WASHER	NAS1149D0663J
	2		NUT	MS21044N6
14	2		FITTING REAR STRUT UPPER	21A02062-008
	2		BOLT – ATTACH TO FUSELAGE	AN6-35A
	4		WASHER	NAS1149D0663J
	2		NUT	MS21044N6
15	2		LUG – WIRE PULL – UPPER REAR	21A02519-004
16	2		LUG – WIRE PULL – LOWER REAR	21A02519-005
	2		BOLT ATTACH TO SPREADER BAR	AN6-27A
	4		WASHER	NAS1149D0663J
	2		NUT	MS21044N6

WIPLINE MODEL 2100 FLOAT PARTS MANUAL

INSTALLATION – STRUTS, WIRES, & SPREADER BARS, FIGURE 15

<u>REF NO.</u>	<u>NO.</u>	<u>PART DESCRIPTION</u>	<u>PART NO.</u>
17	2	WASHER – REAR WIRE PULL	21A02154-008
18	2	SPREADER BAR	21A03356-047
19	8	BOLT – SPREADER BAR ATTACH	AN5-24A
	8	WASHER	NAS1149D0516J
	8	WASHER	NAS1149D0563J
	8	NUT	MS21044N5
20	4	CAP	21A03154-007
21	4	SPACER	21A03214-003
22	4	BLOCK – DECK FITTING	21A03032-006
23	4	BOLT – BLOCK ATTACH	AN6-42A
	4	WASHER	NAS1149F0616P
	4	NUT	MS21044N6
24	4	TUBE – SPREADER BAR MOUNTING	21A03115-001
25	1	BELLY COVER – CENTER	21A12010-014
	3	BELLY ENCLOSURE	21A12010-015
	1	FLY WIRE ENCLOSURE	21A12010-016
	1	FLY WIRE ENCLOSURE	21A12010-017

WIPLINE MODEL 2100 FLOAT PARTS MANUAL



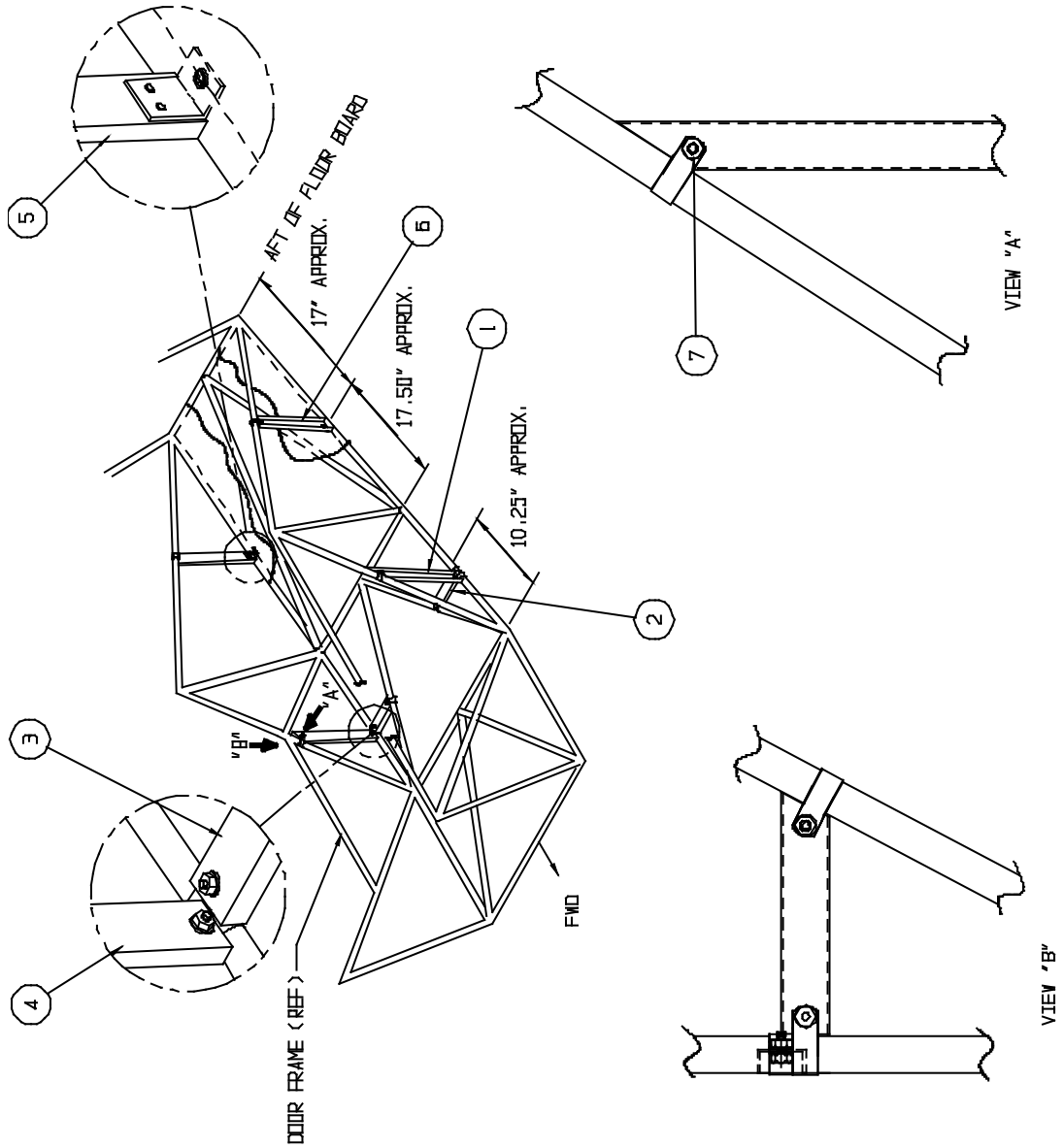
INSTALLATION – FUSELAGE STEPS
FIGURE 16

WIPLINE MODEL 2100 FLOAT PARTS MANUAL

INSTALLATION – FUSELAGE STEPS, FIGURE 16

<u>REF NO.</u>	<u>NO.</u>	<u>REQ.</u>	<u>PART DESCRIPTION</u>	<u>PART NO.</u>
1	1		STEP - LEFT	21A02369-055
	1		STEP, BOARDING, LEFT (OPTIONAL)	1002038
2	1		STEP – RIGHT	21A02369-053
3	4		BOLT – STEP ATTACH	AN3-20A
	10		WASHER	NAS1149D0316J
	5		NUT	MS21044N 3
	5		HOLE PLUG	BPF
	1		SPACER (BETWEEN STEP AND R CENTER STRUT)	6A02273-006
	1		BOLT (STEP ATTACH R. CENTER)	AN3-22A

WIPLINE MODEL 2100 FLOAT PARTS MANUAL



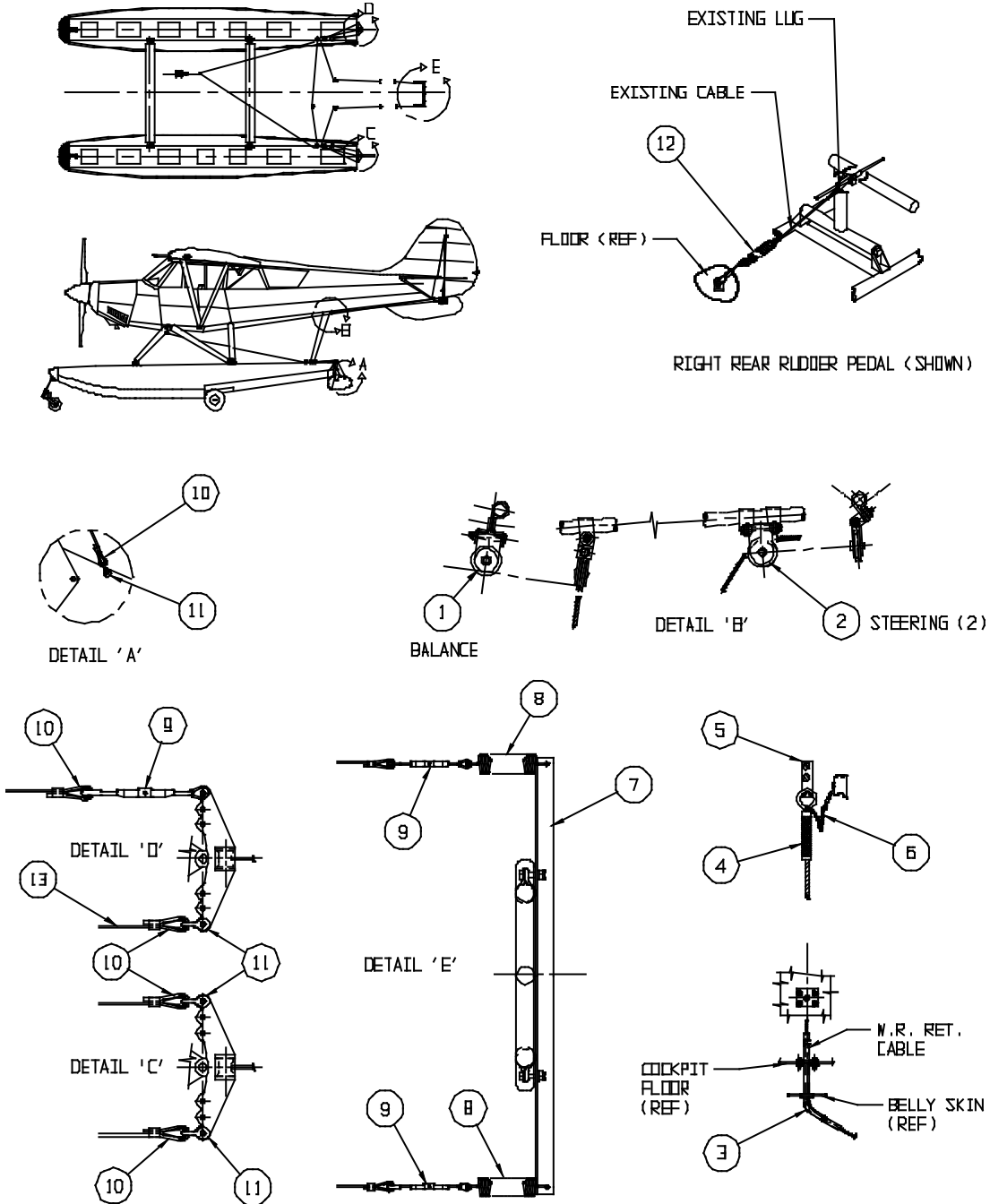
INSTALLATION – FUSELAGE MODIFICATION
FIGURE 17

WIPLINE MODEL 2100 FLOAT PARTS MANUAL

INSTALLATION – FUSELAGE MOODIFICATION, FIGURE 17

<u>REF NO.</u>	<u>NO.</u>	<u>REQ.</u>	<u>PART DESCRIPTION</u>	<u>PART NO.</u>
1	1		CHANNEL - REINFORCEMENT	21A12008-145
2	1		CHANNEL - REINFORCEMENT	21A12008-143
3	1		CHANNEL – REINFORCEMENT	21A12008-144
4	1		CHANNEL – REINFORCEMENT	21A12008-146
5	1		CHANNEL – REINFORCEMENT	21A12000-040
6	1		CHANNEL – REINFORCEMENT	21A12000-039
7	10		CLAMP	AN742D10
	10		BOLT	AN3-4A
	20		WASHER	NAS1149D0363J
	10		NUT	MS21044N3

WIPLINE MODEL 2100 FLOAT PARTS MANUAL



INSTALLATION – STEERING AND RETRACT SYSTEM
FIGURE 18

WIPLINE MODEL 2100 FLOAT PARTS MANUAL

INSTALLATION – STEERING AND RETRACT SYSTEM, FIGURE 18

<u>REF NO.</u>	<u>NO.</u>	<u>REQ.</u>	<u>PART DESCRIPTION</u>	<u>PART NO.</u>
1	1		ASS'Y – BALANCE PULLEY	21A08000-126
	1		ASS'Y – PULLEY BRACKET	21A08000-125
	1		BRACKET	21A08008-150
	1		SPACER - BLOCK	21A08230-002
	1		PULLEY	MS20219-2
	1		BOLT	AN4-7A
	1		WASHER	NAS1149D0463J
	1		NUT	MS21083N4
	2		BRACKET – “Z”	21A08163-068
	3		CLAMP	AN742D12
	1		BOLT	AN3-22A
	1		BOLT	AN3-5A
	A/R		WASHER	NAS1149D0363J
	4		NUT	MS21044N3
	2		BOLT	AN3-4A
	4		WASHER	NAS1149F0332P
	2	2		ASS'Y – STEERING PULLEY
1			ASS'Y – PULLEY BRACKET	21A08000-125
1			BRACKET	21A08008-150
1			SPACER - BLOCK	21A08230-002
1			PULLEY	MS20219-2
1			BOLT	AN4-7A
1			WASHER	NAS1149D0463J
1			NUT	MS21083N4
2			CLAMP	AN742D12
2			EYE BOLT	AN42B4A
1			BOLT	AN3-17A
A/R			WASHER	NAS1149D0363J
3			NUT	MS21044N3
3		1		ASS'Y – RETRACT TUBE
	1		GROMMET – RUBBER	MS354489-11
	4		SCREW – ATTACH	AN520-10-12
	4		WASHER	AN970-3
	4		NUT	MS21044N3

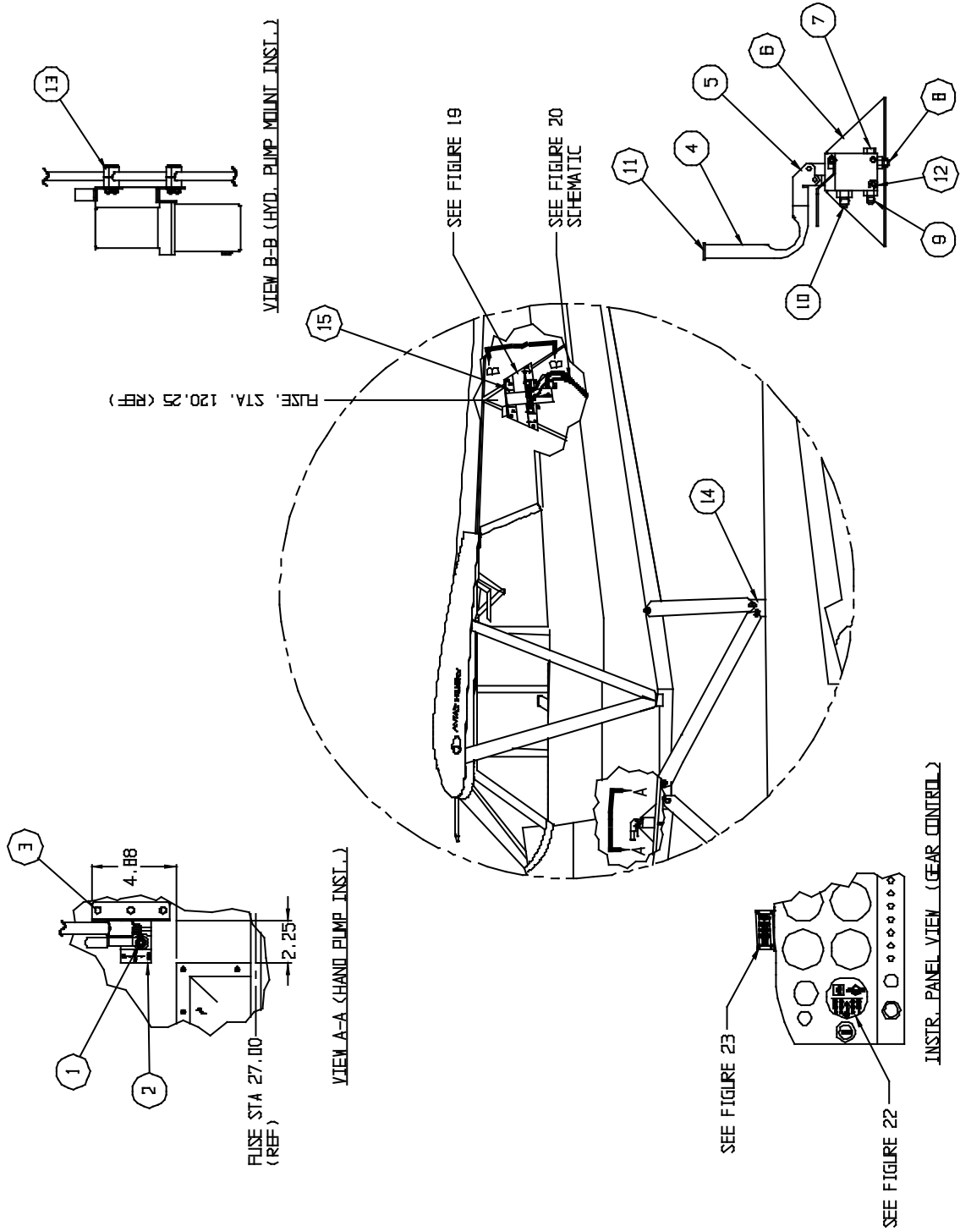
WIPLINE MODEL 2100 FLOAT PARTS MANUAL

INSTALLATION – STEERING AND RETRACT SYSTEM, FIGURE 18

<u>REF NO.</u>	<u>NO.</u>	<u>REQ.</u>	<u>PART DESCRIPTION</u>	<u>PART NO.</u>
4	1		HANDLE – RETRACT	21A08274-007
	1		SET SCREW	33056
5	1		HOOK – RETRACT HANDLE	21A08487-001
	2		SCREW – ATTACH	AN526-10R9
	2		NUT	MS21044N3
6	1		CHAIN RETRACT 15 INCH	21A08747-001
7	1		EXTENSION – RUDDER HORN	21A08359-201
	2		CLAMP – ATTACH	MS27405-5
	2		BOLT – ATTACH	AN4-11A
	2		WASHER	NAS1149D0463J
	2		NUT	MS21044N4
8	2		SPRING	21A08525-005
9	3		TURNBUCKLE – BARREL	MS21251B3S
	2		FORK – TERMINAL	MS21255-3RS
	1		PIN ATTACH	MS20392-2C13
	1		PIN – COTTER	MS24665-132
	1		WASHER	NAS1149D0316J
	3		EYE – TERMINAL	MS21255-3LS
10	3		FORK END TERMINAL	NAS1435K3
	3		BALL & SINGLE SHANK	MS20664C3
11	6		PIN, COTTER	MS24665-151
	6		PIN, CLEVIS	MS28392-2C13
	14		WASHER	AN960PD10
12	2		ASS'Y – RUDDER RETURN SPRING	21A12000-041
	1		SPRING	21A08525-007
13			A/R CABLE (REQUEST LENGTH) 3/32 X 7 (NOT SHOWN)	RM690

THIS PAGE INTENTIONALLY LEFT BLANK

WIPLINE MODEL 2100 FLOAT PARTS MANUAL



INSTALLATION - HYDRAULIC SYSTEM
FIGURE 19

WIPLINE MODEL 2100 FLOAT PARTS MANUAL

INSTALLATION – HYDRAULIC SYSTEM, FIGURE 19

<u>REF NO.</u>	<u>NO.</u>	<u>REQ.</u>	<u>PART DESCRIPTION</u>	<u>PART NO.</u>
1	1		ASS'Y - HAND PUMP	21A09000-194
2	1		PLACARD	12A3-7379-1
3	3		BOLT – ATTACH	AN3-6A
	3		WASHER	AN970-3
	3		WASHER	NAS1149F0363P
	3		NUT	MS21044N3
4	1		HANDLE	21A09396-001
5	1		HAND PUMP (ONLY)	642873
6	1		BRACKET – PUMP ATTACH	21A09156-129
7	1		PLUG	AN814-4D
	1		“O” RING	MS28775-012
8	1		UNION	21A09746-001
	1		“O” RING	MS28775-012
9	1		UNION	AN815-4D
	1		“O” RING	MS28775-012
10	1		UNION	AN919-6D
	1		“O” RING	MS28775-014
11	1		CAP PLUG	9283K13
12	2		CAP SCREW – ATTACH	MS16997-77
	2		WASHER	NAS1149F0563P
13	8		CLAMP – MOUNTING	21A09215-002
	8		BOLT – ATTACH	AN3-14A
	16		WASHER	NAS1149D0363J
	8		NUT	MS21044N3

WIPLINE MODEL 2100 FLOAT PARTS MANUAL
INSTALLATION – HYDRAULIC SYSTEM, FIGURE 19

<u>REF NO.</u>	<u>NO.</u>	<u>REQ.</u>	<u>PART DESCRIPTION</u>	<u>PART NO.</u>
14	2		ASS'Y – BRAKE LINE (NOT SHOWN)	21A04000-080
	2		FITTING	63-190600-3
15	1		ASS'Y – HYD. PUMP (without exterior Comp) COMPLETE WITH MOUNT – SEE FIGURE 20A,B	21A09000-195

THIS PAGE INTENTIONALLY LEFT BLANK

WIPLINE MODEL 2100 FLOAT PARTS MANUAL

ASSEMBLY – HYDRAULIC PUMP (WITHOUT BAGGAGE EXTENSION), FIGURE 20A

<u>REF</u> <u>NO.</u>	<u>NO.</u> <u>REQ.</u>	<u>PART DESCRIPTION</u>	<u>PART NO.</u>
1	3	RELAY, 12V, 5 PRONG	0-332-209-137
2	4	PIN, CRIMP FEMALE, 1/8" DIA	02-09-1104
3	2	CONNECTOR PLUG, MALE, 2 CONN.	03-09-1022
4	14	TERMINAL	1-901-355-917
5	1	CABLE, DIODE ADAPTOR	1004949
6	1	TIMER RELAY HARNESS	1005042
7	3	DIODE, 2-1/2"	1N4004
8	2	CLAMP, CABLE, CPC SIZE 11	206062-3
9	1	PLUG, MALE, CPC SIZE 1, 4 PIN	206429-1
10	1	CPC FREE HANG, 4 PIN, FEMALE	206430-2
11	1	ASSEMBLY, BRACKET, HYDRAULIC PUMP	21A09000-196
12	1	ASSEMBLY, HYDRAULIC PUMP, 12V	21A09000-215
13	1	PLATE, SUPPORT, HYDRAULIC PUMP	21A09010-013
14	1	ANGLE, MOUNTING, HYD. PUMP	21A09352-030
15	6FT	WIRE, 12 AWG, WHITE	22759-16-12-9
16	10.1 FT	WIRE, 20 AWG, WHITE	22759-16-20-9
17	3	HOUSING CONNECTOR ASSEMBLY	2601048-200
18	1	FUSE HOLDER	3453LF2A
19	1	TERMINAL BLOCK, 6 CONNECTOR	6-140
20	3	PIN, CRIMP SOCKET, 24-20G	66103-4
21	3	CRIMP SOCKET, FEMALE	66105-4
22	1	FUSE, 250V, (S2565-1)	AGC-1

WIPLINE MODEL 2100 FLOAT PARTS MANUAL

ASSEMBLY – HYDRAULIC PUMP (WITHOUT BAGGAGE EXTENSION), FIGURE 20A

<u>REF</u> <u>NO.</u>	<u>NO.</u> <u>REQ.</u>	<u>PART DESCRIPTION</u>	<u>PART NO.</u>
23	5	BOLT	AN3-3A
24	2	BOLT	AN4-5A
25	2	SCREW, MACHINE, TRUSS HEAD	AN526-632R8
26	3	SOCKET, 5 PRONG, PLASTIC	BR05FW
27	1.5 FT	HEAT SHRINK, TUBING, BLACK	HS105-3/16-0
28	2	SOCKET HEAD CAP SCREW	MS16997-96
29	2	NUT	MS21044N06
30	5	NUT	MS21044N3
31	2	WASHER, SPLIT	MS35338-46
32	1	GROMMET, RUBBER	MS35489-14
33	4	WASHER	NAS1149D0363J
34	7	WASHER	NAS1149F0332P
35	3	WASHER	NAS1149F0363P
36	2	WASHER	NAS1149F0463P
37	12	RING CONNECTOR	R-3

THIS PAGE INTENTIONALLY LEFT BLANK

WIPLINE MODEL 2100 FLOAT PARTS MANUAL

ASSEMBLY – HYDRAULIC PUMP (WITH BAGGAGE EXTENSION), FIGURE 20B

<u>REF</u> <u>NO.</u>	<u>NO.</u> <u>REQ.</u>	<u>PART DESCRIPTION</u>	<u>PART NO.</u>
1	3	RELAY, 12V, 5 PRONG	0-332-209-137
2	4	PIN, CRIMP FEMALE, 1/8" DIA	02-09-1104
3	2	CONNECTOR PLUG, MALE, 2 CONN.	03-09-1022
4	14	TERMINAL	1-901-355-917
5	1	CABLE, DIODE ADAPTOR	1004949
6	1	TIMER RELAY HARNESS	1005042
7	3	DIODE, 2-1/2"	1N4004
8	2	CLAMP, CABLE, CPC SIZE 11	206062-3
9	1	PLUG, MALE, CPC SIZE 1, 4 PIN	206429-1
10	1	CPC FREE HANG, 4 PIN, FEMALE	206430-2
11	1	ASSEMBLY, BRACKET, HYDRAULIC PUMP	21A09000-196
12	1	ASSEMBLY, HYDRAULIC PUMP, 12V	21A09000-215
13	1	PLATE, SUPPORT, HYDRAULIC PUMP	21A09010-013
14	1	ANGLE, MOUNTING, HYD. PUMP	21A09352-030
15	6FT	WIRE, 12 AWG, WHITE	22759-16-12-9
16	10.1 FT	WIRE, 20 AWG, WHITE	22759-16-20-9
17	3	HOUSING CONNECTOR ASSEMBLY	2601048-200
18	1	FUSE HOLDER	3453LF2A
19	1	TERMINAL BLOCK, 6 CONNECTOR	6-140
20	3	PIN, CRIMP SOCKET, 24-20G	66103-4
21	3	CRIMP SOCKET, FEMALE	66105-4
22	1	FUSE, 250V, (S2565-1)	AGC-1
23	5	BOLT	AN3-3A

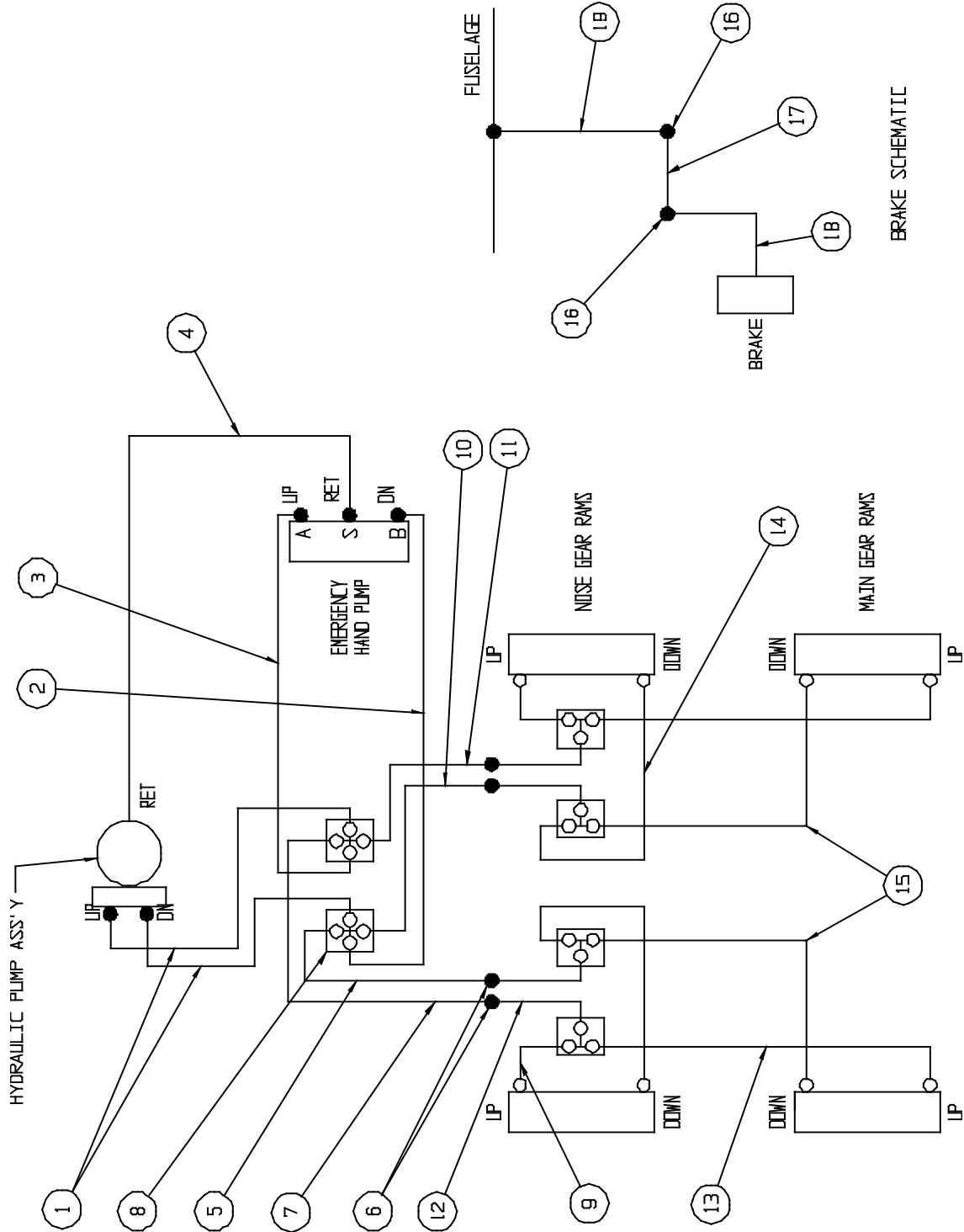
WIPLINE MODEL 2100 FLOAT PARTS MANUAL

ASSEMBLY – HYDRAULIC PUMP (WITH BAGGAGE EXTENSION), FIGURE 20B

<u>REF</u> <u>NO.</u>	<u>NO.</u> <u>REQ.</u>	<u>PART DESCRIPTION</u>	<u>PART NO.</u>
24	2	BOLT	AN4-5A
25	2	SCREW, MACHINE, TRUSS HEAD	AN526-632R8
26	3	SOCKET, 5 PRONG, PLASTIC	BR05FW
27	1.5 FT	HEAT SHRINK, TUBING, BLACK	HS105-3/16-0
28	2	SOCKET HEAD CAP SCREW	MS16997-96
29	2	NUT	MS21044N06
30	5	NUT	MS21044N3
31	2	WASHER, SPLIT	MS35338-46
32	1	GROMMET, RUBBER	MS35489-14
33	4	WASHER	NAS1149D0363J
34	7	WASHER	NAS1149F0332P
35	3	WASHER	NAS1149F0363P
36	2	WASHER	NAS1149F0463P
37	12	RING CONNECTOR	R-3

THIS PAGE INTENTIONALLY LEFT BLANK

WIPLINE MODEL 2100 FLOAT PARTS MANUAL



HYDRAULIC SCHEMATIC
FIGURE 21

WIPLINE MODEL 2100 FLOAT PARTS MANUAL

HYDRAULIC SCHEMATIC, FIGURE 21

<u>REF NO.</u>	<u>NO.</u>	<u>REQ.</u>	<u>PART DESCRIPTION</u>	<u>PART NO.</u>
1	2		ASS'Y – HYDRAULIC HOSE	21A09000-204
2	1		ASS'Y – HYDRAULIC HOSE	21A09000-223
3	1		ASS'Y – HYDRAULIC HOSE	21A09000-207
4	1		ASS'Y – HYDRAULIC HOSE	21A09000-208
5	1		ASS'Y – HYDRAULIC HOSE	21A09000-206
6	4		FITTING – ELBOW (DECK FITTING)	AN833-4D
	4		NUT	AN924-4D
	4		WASHER	NAS1149D0763J
7	1		ASS'Y – HYDRAULIC HOSE	21A09000-205
8	2		FITTING – QUAD	AN827-4D
9	2		ASS'Y – HYDRAULIC HOSE	21A09000-218
10	1		ASS'Y – HYDRAULIC HOSE	21A09000-205
11	1		ASS'Y – HYDRAULIC HOSE	21A09000-206
12	4		ASS'Y – HYDRAULIC HOSE	21A09000-222
13	2		ASS'Y – HYDRAULIC HOSE	21A09000-220
14	2		ASS'Y – HYDRAULIC HOSE	21A09000-219
15	2		ASS'Y – HYDRAULIC HOSE	21A09000-221
16	2		FITTING – ELBOW	AN833-3D
	4		WASHER	NAS1149D0663J
	2		NUT	AN924-3D

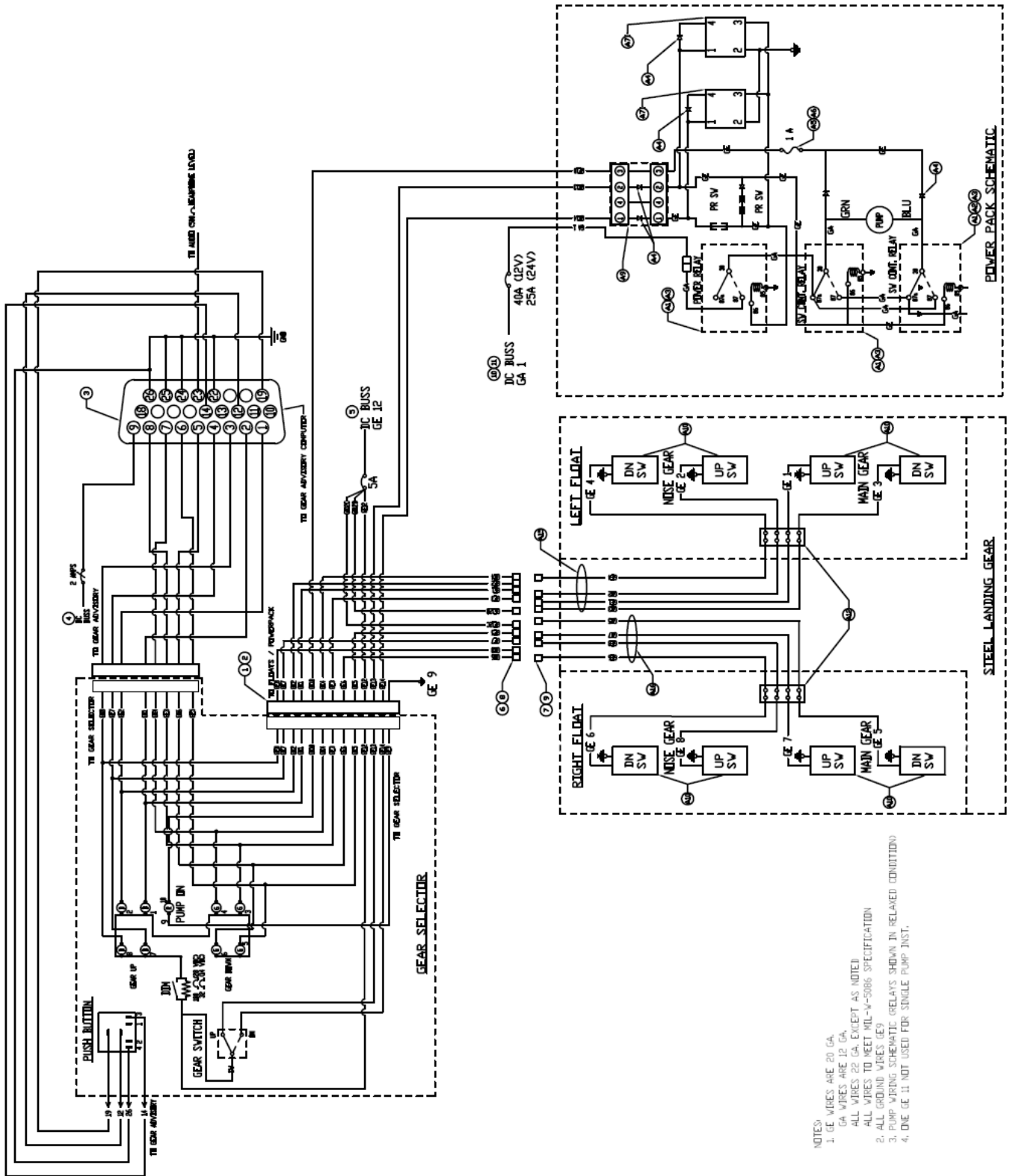
WIPLINE MODEL 2100 FLOAT PARTS MANUAL

HYDRAULIC SCHEMATIC, FIGURE 21

<u>REF</u> <u>NO.</u>	<u>NO.</u> <u>REQ.</u>	<u>PART DESCRIPTION</u>	<u>PART NO.</u>
17	1	LINE ASS'Y – HARD	21A04000-079
18	1	LINE ASS'Y – FLEX	21A04000-078
19	2	ASS'Y – BRAKE LINE (FUSELAGE TO DECK)	21A04000-080

THIS PAGE INTENTIONALLY LEFT BLANK

WIPLINE MODEL 2100 FLOAT PARTS MANUAL



- NOTES:
1. CE WIRES ARE 20 GA.
 2. GA WIRES ARE 12 GA.
 3. ALL WIRES TO MEET MIL-W-5086 SPECIFICATION
 4. ALL GROUND WIRES CE 9
 5. PUMP WIRING SCHEMATIC RELAYS SHOWN IN RELAYED CONDITION
 6. ONE CE 11 NOT USED FOR SINGLE PUMP INST.

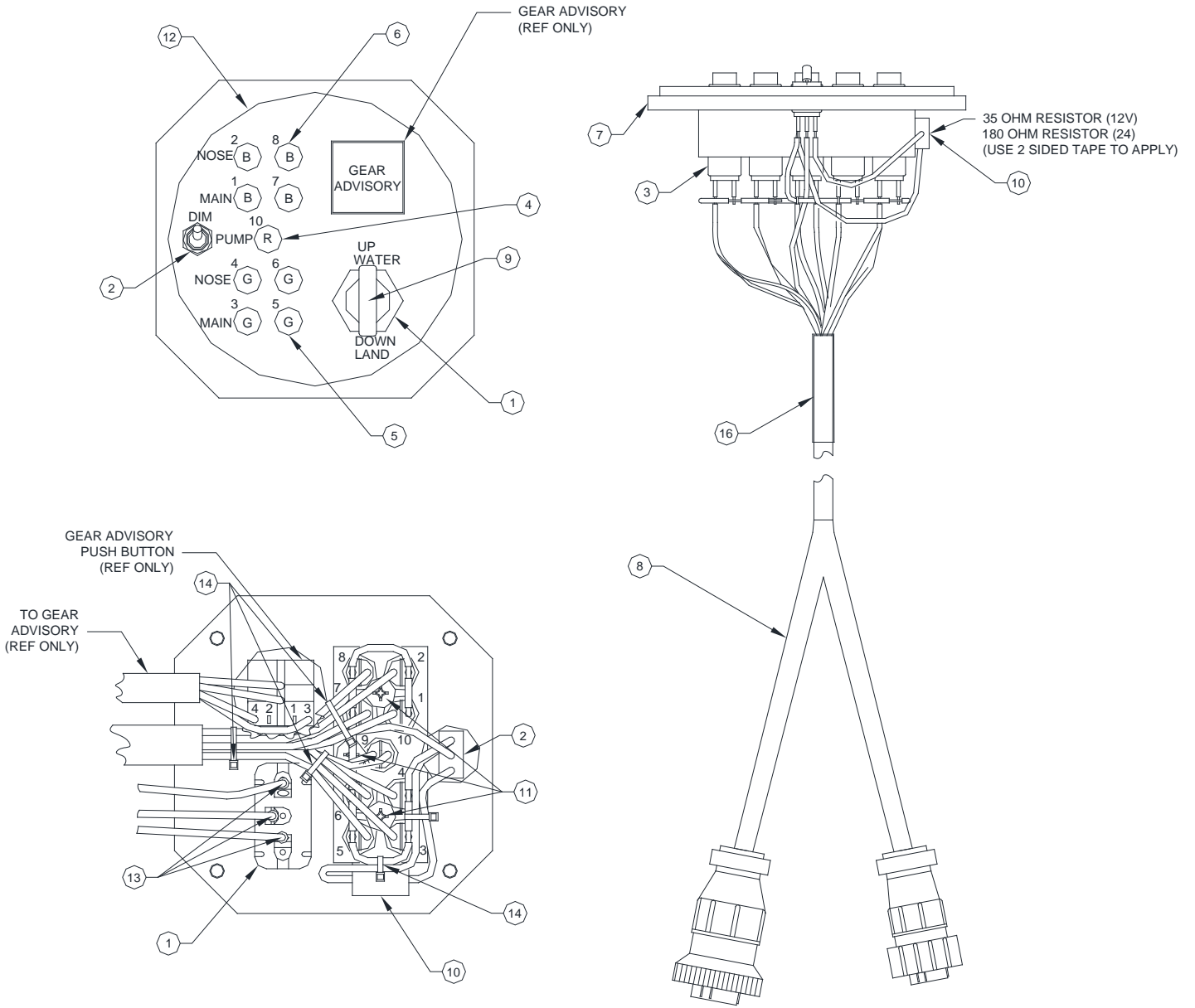
ELECTRICAL SCHEMATIC
FIGURE 22

WIPLINE MODEL 2100 FLOAT PARTS MANUAL

ELECTRICAL SCHEMATIC, FIGURE 22

<u>REF NO.</u>	<u>NO.</u>	<u>REQ.</u>	<u>PART DESCRIPTION</u>	<u>PART NO.</u>
1	1		ASSY, WIRING HARNESS, GEAR SELECTOR	4A11000-011
3	1		ASSY, WIRING HARNESS, GEAR ADVISORY	4A11000-014
4	1		BREAKER, CIRCUIT, KLIXON, 2AMP	7277-2-2
5	1		BREAKER, CIRCUIT, KLIXON, 5AMP	7277-2-5
6	8		PIN	S1635-1SF
7	8		SOCKET	S1636-1
8	8		HOUSING	S1637-1
9	8		HOUSING	S1637-2
11	1		BREAKER, CIRCUIT, 40AMP	W-23-X1A1G-40
A1	3		RELAY 12V	0-332-209-211
A3	3		RELAY SOCKET	BR05FW'
A4	7		DIODE	1N4004
A5	1		FUSE 1 AMP	AGC-1
A6	1		FUSE HOLDER	3453LF2A
A7	2		ASSEMBLY, TIMER RELAY 12V	1005042
A9	1		DIODE CABLE ADAPTOR	1004949
A10	8		SWITCH, 2 WIRE	5801
A12	2		ELECTRICAL TERMINAL, 4 CONNECT	4-140
A15	1		HARNESS W'IRE, FLOATS LT	6A10000-004
A16	1		HARNESS W'IRE, FLOATS, RT	6A10000-005

WIPLINE MODEL 2100 FLOAT PARTS MANUAL



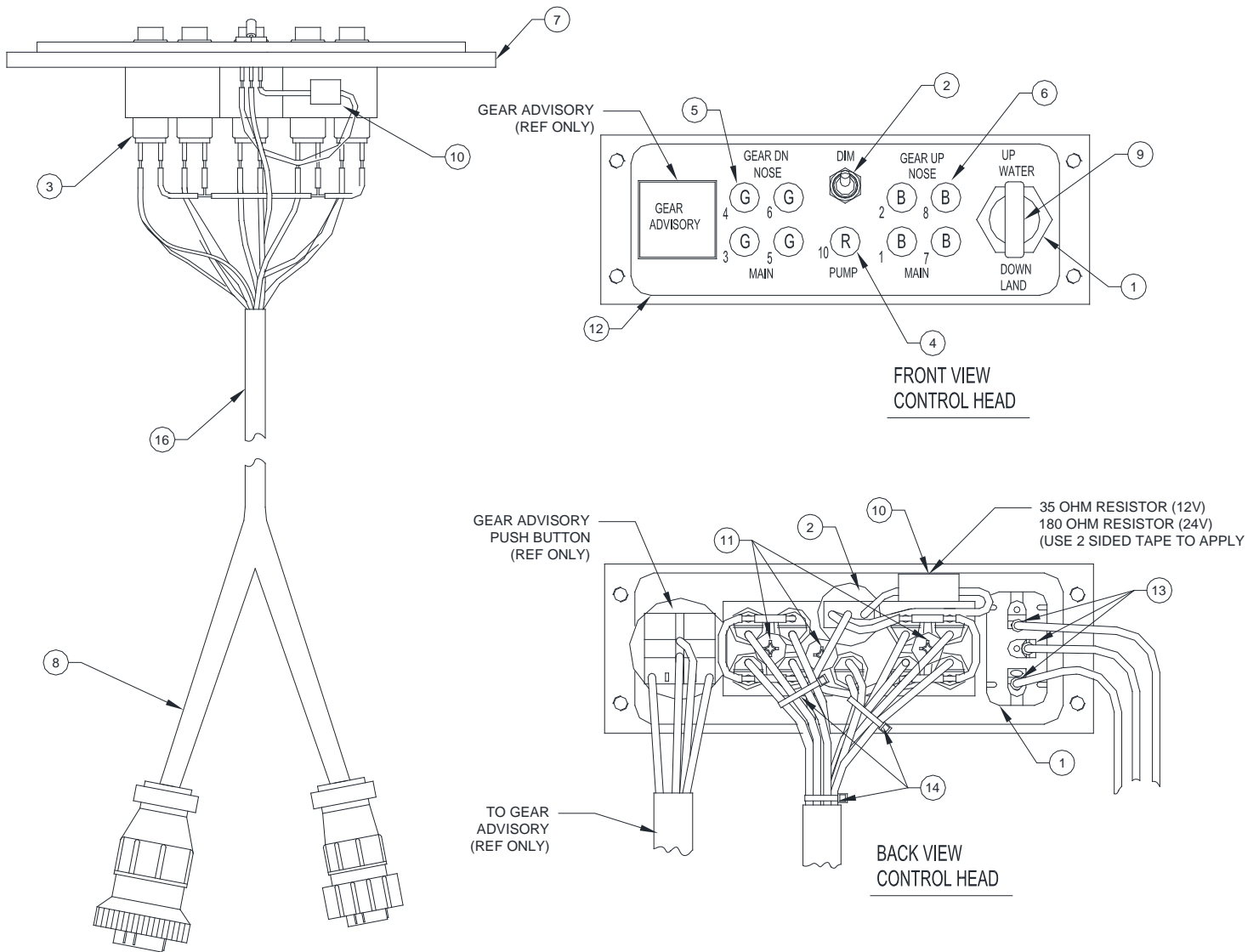
GEAR CONTROL (ROUND)
FIGURE 23

WIPLINE MODEL 2100 FLOAT PARTS MANUAL

GEAR CONTROL (ROUND), FIGURE 23

<u>REF NO.</u>	<u>NO.</u>	<u>REQ.</u>	<u>PART DESCRIPTION</u>	<u>PART NO.</u>
	1		GEAR SELECTOR ASSY. ROUND (12V)	21A11000-009
1	1		SWITCH	8857K44
2	1		TOGGLE SWITCH, SPDT, ON-ON	A101SYCB
3	9		SOCKET	515-0012
4	1		INDICATOR LAMP, 14V, RED	507-3914-1431-600
5	4		INICATOR LAMP, 14V, GREEN	507-3914-1432-600
6	4		INDICATOR LAMP, 14V, BLUE	507-3914-1434-600
7	1		BLOCK, GEAR CONTROL	21A11179-001
8	1		HARNESS ASSEMBLY, GEAR SELECTOR	4A11000-008
9	1		GEAR SWITCH KNOB	21A11259-003
10	1		RESISTOR, 14V, DALE RH5 5W	RH-5-35
11	3		SCREW, TRUSS HEAD, 6-32	AN526-632R8
12	1		PLACARD, ROUND2100 GEAR SELECTOR	10B3-6202
13	3		RING CONNECTOR, #6, 20 AWG, RED	R-3
14	5		CABLE TIE	PLT1M-M
15	16"		SHRINK WRAP, 3/16, WHITE	HIXR-3/16
16	3"		HEAT SHRINK TUBING	HS105-1/2-0
17	6"		WIRE, 20AWG, WHITE	22759-16-20-9

WIPLINE MODEL 2100 FLOAT PARTS MANUAL



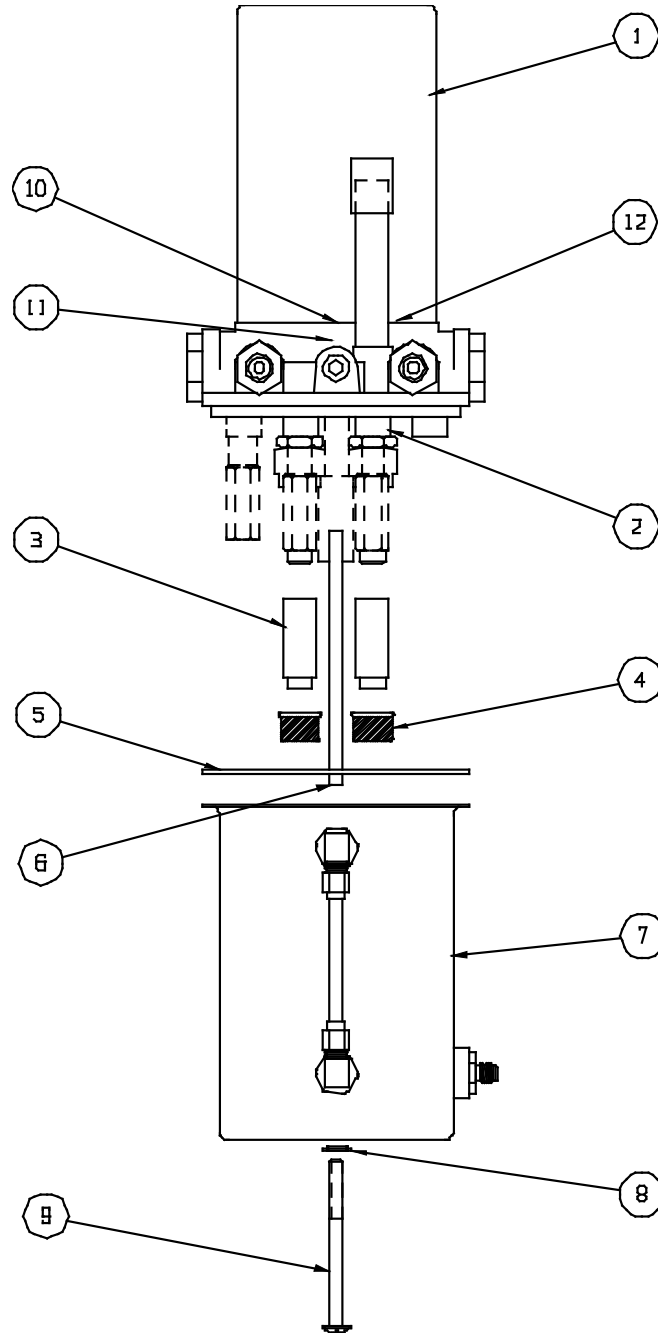
GEAR CONTROL (RECTANGLE)
FIGURE 24

WIPLINE MODEL 2100 FLOAT PARTS MANUAL

GEAR CONTROL (RECTANGLE), FIGURE 24

<u>REF NO.</u>	<u>NO.</u>	<u>REQ.</u>	<u>PART DESCRIPTION</u>	<u>PART NO.</u>
	1		GEAR SELECTOR ASSY. RECTANGLE (12V)	21A11000-010
1	1		SWITCH	8857K44
2	1		TOGGLE SWITCH, SPDT, ON-ON	A101SYCB
3	9		SOCKET	515-0012
4	1		INDICATOR LAMP, 14V, RED	507-3914-1431-600
5	4		INICATOR LAMP, 14V, GREEN	507-3914-1432-600
6	4		INDICATOR LAMP, 14V, BLUE	507-3914-1434-600
7	1		BLOCK, GEAR CONTROL	21A11179-002
8	1		HARNESS ASSEMBLY, GEAR SELECTOR	4A11000-008
9	1		GEAR SWITCH KNOB	21A11259-003
10	1		RESISTOR, 14V, DALE RH5 5W	RH-5-35
11	3		SCREW, TRUSS HEAD, 6-32	AN526-632R8
12	1		PLACARD, RECTANGLE 2100 GEAR SELECTOR	10B3-6277
13	3		RING CONNECTOR, #6, 20 AWG, RED	R-3
14	3		CABLE TIE	PLT1M-M
15	16"		SHRINK WRAP, 3/16, WHITE	HIXR-3/16
16	3"		HEAT SHRINK TUBING	HS105-1/2-0
17	6"		WIRE, 20AWG, WHITE	22759-16-20-9

WIPLINE MODEL 2100 FLOAT PARTS MANUAL



HYDRAULIC PUMP
FIGURE 25

WIPLINE MODEL 2100 FLOAT PARTS MANUAL

HYDRAULIC PUMP, FIGURE 25

<u>REF NO.</u>	<u>NO.</u>	<u>REQ.</u>	<u>PART DESCRIPTION</u>	<u>PART NO.</u>
1	1		HYDRAULIC PUMP ASS'Y (12V) MOTOR (12V)	21A09000-215 640661
2	1		BASIC PUMP	634873
3	2		TUBE EXTENSIONS	362136
4	2		FILTER	410521
5	1		SEAL RESERVIOR	410578
6	1		RETURN TUBE	365047
7	1		RESERVIOR – GAUGE ASSY.	775260
8	1		SEAL THREAD	415067
9	1		SCREW – RESERVIOR ATTACH	409715
10	1		COUPLING – MOTOR TO PUMP	361183
11	1		SEAL – PUMP SHAFT	410512
12	1		“O” RING MOTOR TO BASE	405673