



WIPLINE FLOATS • SKIS • MODIFICATIONS • AIRCRAFT SALES
AVIONICS • INTERIOR • MAINTENANCE • PAINT REFINISHING



PARTS MANUAL
FOR
WIPLINE MODEL 2350
AMPHIBIOUS AND SEAPLANE FLOATS
MAULE MX-7-180

THIS PAGE INTENTIONALLY LEFT BLANK

TABLE OF CONTENTS

<u>SECTION</u>	<u>PAGE</u>
TABLE OF CONTENTS.....	3
LOG OF REVISIONS	5
FLOAT PART SALES DEPT. OPERATIONS	6
SHIPPING SCHEDULE:.....	6
PARTS ORDERING	6
DAMAGED GOODS	6
RETURNED PARTS.....	7
ORDER SHORTAGES	7
CREDIT POLICY.....	7
LIST OF ABBREVIATIONS.....	7
NEW CUSTOMER INFORMATION.....	8
SECTION 1: HULL ASSEMBLY - AMPHIBIAN AND STRAIGHT	10
HULL ASSEMBLY - AMPHIBIAN	11
HULL ASSEMBLY – SEAPLANE	17
TOP SKIN – HULL – AMPHIBIAN	23
TOP SKIN – HULL – SEAPLANE	27
SECTION 2: WHEEL WELL ASSEMBLY - AMPHIBIAN	30
WHEEL WELL ASSEMBLY – AMPHIBIAN	31
SECTION 3: HULL EXTRUSIONS - AMPHIBIAN AND STRAIGHT	34
EXTRUSIONS – HULL – AMPHIBIAN	35
EXTRUSIONS – HULL – SEAPLANE.....	37
SECTION 4: PUMPER TUBE INSTALLATION.....	40
PUMPER TUBE INSTALLATION	41
SECTION 5: WATER RUDDER INSTALLATION.....	44
INSTALLATION - WATER RUDDER	45
SECTION 6: NOSE GEAR ASSEMBLY	48
ASSEMBLY – NOSE GEAR RETRACTION.....	49
ASSEMBLY – NOSE GEAR – LOWER.....	51
ASSEMBLY – NOSE WHEEL (GROVE)	55
ASSEMBLY – NOSE WHEEL (PARKER)	59
SECTION 7: MAIN GEAR ASSEMBLY.....	62
INSTALLATION MAIN GEAR RETRACTION.....	63
ASSEMBLY MAIN GEAR WHEEL – CLEVELAND/PARKER.....	67
ASSEMBLY – MAIN GEAR WHEEL – GROVE/WIPAIRE	71
SECTION 8: INSTALLATION – STRUTS, WIRE, SPREADER BARS, STEPS.....	74
INSTALLATION – STRUTS, WIRES AND SPREADER BARS MAULE	75
INSTALLATION FUSELAGE STEPS MAULE	79
SECTION 9: INSTALLATION – STEERING AND RETRACT SYSTEM	80
INSTALLATION – STEERING AND RETRACT SYSTEM MAULE	81
SECTION 10 – INSTALLATION – HYDRAULIC SYSTEM	84
INSTALLATION – HYDRAULIC SYSTEM MAULE.....	85

WIPLINE MODEL 2350 FLOAT PARTS MANUAL

ASSEMBLY – HYDRAULIC PUMP MAULE.....	89
HYDRAULIC SCHEMATIC	91
SECTION 11: ELECTRICAL SCHEMATIC	94
ELECTRICAL SCHEMATIC	95
SECTION 12: GEAR CONTROL.....	98
GEAR CONTROL (ROUND).....	99
GEAR CONTROL (RECTANGLE)	101
THIS PAGE INTENTIONALLY LEFT BLANK.....	103
SECTION 13: HYDRAULIC PUMP	104
HYDRAULIC PUMP	105
SECTION 14: PLACARDS AND MISCELLANEOUS INFO	107
PLACARDS AND MISC. DATA – MAULE MX-7-180 SERIES	108

NOTE:

Any information not found in this manual for strut package parts and other aircraft installation items refer to the installation drawing package provided with the STC at the time of float installation. Additional drawing copies are available for purchase through the Wipaire Customer Service department.

LOG OF REVISIONS

Revision	Pages Effected	Description	Date
A	53-59	ADDED GROVE / WIPAIRE DRAWING AND PARTS LIST AND REVISED TABLE OF CONTENTS	12/16/05
B	43, 51	NOSE AND MAIN GEAR RETRACTION CYLINDER P/N CHANGED	3/20/06
C	20-26	CHANGED FLOAT DECK P/Ns	8/3/06
D	50	CHANGED P/Ns FOR MAIN GEAR BUSHINGS, ADDED P/N AND REVISION TO ALL PAGES	11/3/06
E	44, 51	HYDRAULIC CYLINDER P/N CHANGED	7/21/07
F	MULTIPLE	MANY PAGES CHANGED WITH UPDATED P/Ns, NEW WATER RUDDER FIGURE ADDED	9/1/10
G	ALL	ADDED GROVE NOSE WHEEL, REFORMATTED ENTIRE DOCUMENT	7/1/14
H	3	Removed Warranty Claim Form	3/31/16

You may also look at the latest parts manual at www.wipaire.com.

FLOAT PART SALES DEPT. OPERATIONS

Hours: 8 AM - 6 PM, Monday through Friday
Central U.S. Time

Phone: 651-306-0459
Fax: 651-306-0666

Email: customerservice@wipaire.com
Website: www.wipaire.com

SHIPPING SCHEDULE:

In stock standard parts orders ship by the end of the next business day. Urgent and AOG orders will be shipped the same day subject to parts availability and may be assessed an AOG fee for special priority handling.

Partial orders will be shipped unless the customer requests that the order only be shipped complete.

Backordered items will be shipped the same day in which they become available.

As we are primarily a manufacturer, our stocks can be rapidly depleted by production requirements. Therefore, prices and availability are subject to change at any time. It is our intent to provide courteous and prompt service of your needs. Please let us know of any problems or concerns so that changes in these procedures can be a benefit for all.

PARTS ORDERING

Purchase orders should include

1. P.O. Number
2. Name of person placing order
3. Invoicing information:
 - I. Customer name, company or individual
 - i. Address
 - ii. Phone and fax number
4. Shipping information:
 - I. Address (if different from invoice address)
 - II. Method of shipment/preferred carrier
5. Aircraft model, float model and serial numbers
6. Wipaire part number; name; type, e.g. left or right; quantity
7. Payment method: VISA, MasterCard, COD (U.S. customers only). Pre-payment by check or wire transfer, open account (see credit policy section).

DAMAGED GOODS

Inspect all parts upon receipt. Damages to parts in transit must be filed as a claim against the carrier.

RETURNED PARTS

Written explanation of reason for return must accompany parts, including invoice number of original shipment. Shipping charges on returned parts must be prepaid or the shipment will be refused.

ORDER SHORTAGES

Check shipment against delivery slip immediately. All claims for any shortages should be made within three (3) days after order receipt.

CREDIT POLICY

Parts will be shipped on open account, net 30 days, to Wipaire-approved credit customers only. A balance due over 60 days will result in no shipments. Wipaire, Inc reserves the right to send any order C.O.D.

LIST OF ABBREVIATIONS

All references in this manual to LEFT and RIG HT are from the perspective of the pilot's seat with the floats fully installed and ready for floatplane operation. The following is a list of abbreviations that may appear in the description nomenclature fields of this manual:

AB	AFTERBODY	INBD.	INBOARD
AMPHIB.	AMPHIBIOUS	LG.	LARGE.
AR	AS REQUIRED	LT.	LEFT
ASS'Y.	ASSEMBLY	LWR.	LOWER
BRKT.	BRACKET	OPT.	OPTIONAL
BTM.	BOTTOM	OTBD.	OUTBOARD
BULK.	BULKHEAD	REINF.	REINFORCEMENT
CTR.	CENTER	RR.	REAR
CYL.	CYLINDER	RT.	RIGHT
FT.	FRONT	SM.	SMALL
FTG.	FITTING	SN	SERIAL NUMBER
FUS.	FUSELAGE	SPR.	SPREADER
FWD.	FORWARD	UPR.	UPPER
HORIZ.	HORIZONTAL	VERT.	VERTICAL
HYD.	HYDRAULIC	W.W.	WHEEL WELL



NEW CUSTOMER INFORMATION

Customer Name	
Billing Address	
Shipping Address	
Phone Number	Fax Number
Purchasing Contact	Phone Number
E-Mail	Fax Number
Accounts Payable Contact	Phone Number
E-Mail	Fax Number
Type(s) of Aircraft Owned or Maintained	
Model(s) of Floats and Skis Owned or Maintained	
FedEx and/or UPS account number (if applicable)	

Please return to Wipaire Customer Service:

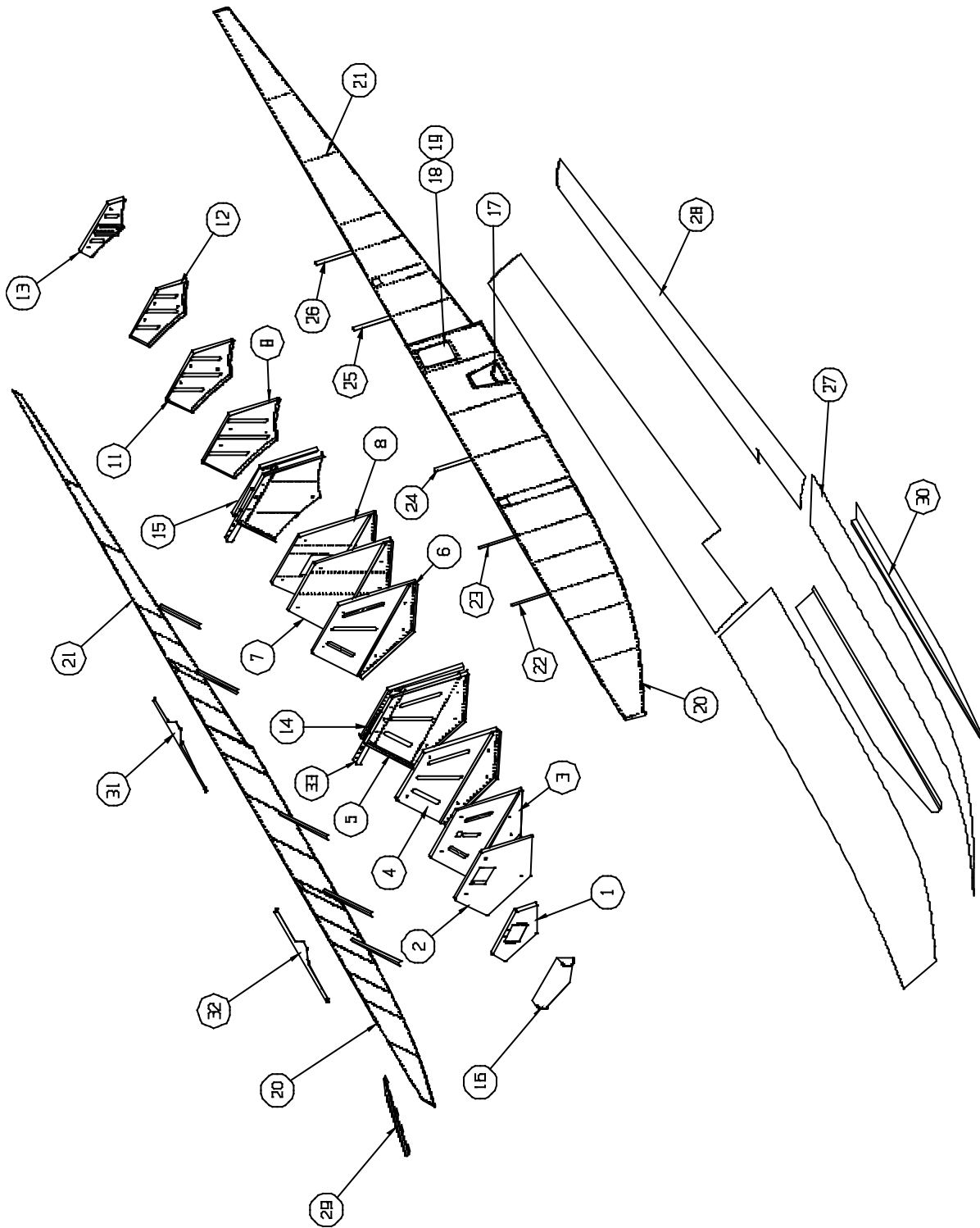
Fax 651-306-0666

Phone 651-306-0459

CustomerService@wipaire.com

THIS PAGE INTENTIONALLY LEFT BLANK

SECTION 1: HULL ASSEMBLY - AMPHIBIAN AND STRAIGHT



HULL ASSEMBLY - AMPHIBIAN
FIGURE 1

WIPLINE MODEL 2350 FLOAT PARTS MANUAL

ITEM	QTY	FIGURE 1: HULL ASSEMBLY-AMPHIBIAN PART DESCRIPTION	PART NO.
1	1	BULKHEAD #1	21A01163-067
2	1	ASSY BULKHEAD #3	21A01000-265
	1	BULKHEAD	21A01158-184
	1	ANGLE – NOSE BOX ATTACH	21A01326-006
	1	ANGLE – NOSE BOX ATTACH	21A01326-005
3	1	ASSY BULKHEAD #4	21A01000-261
	1	BULKHEAD – MAIN	21A01158-174
	1	SUPPORT – BULKHEAD LOWER	21A01158-175
	1	CLAMP, PUMP OUT TUBE	3A01158-003
4	1	ASSY BULKHEAD #5	23A01000-296
	1	BULKHEAD - MAIN	23A01158-196
	1	SUPPORT – BULKHEAD LOWER	21A01158-176
	1	CLAMP, PUMP OUT TUBE	3A01158-003
5	1	ASSY BULKHEAD #6	23A01000-297
	1	BULKHEAD - MAIN	23A01158-197
	1	ANGLE – SIDE L.	23A01326-017
	1	ANGLE – SIDE R.	23A01326-016
	1	PANEL – SPR. BAR	21A01163-066
	1	SUPPORT – BULKHEAD LOWER	21A01158-176
	1	CLAMP, PUMP OUT TUBE	3A01158-003
6	1	ASSY BULKHEAD #7	21A01000-252
	1	BULKHEAD – MAIN	21A01158-189
	1	SUPPORT – BULKHEAD LOWER	21A01158-177
	1	GROMMET	MS35489-19
7	1	ASSY BULKHEAD #8 L.	21A01000-267
	1	BULKHEAD - MAIN	21A01158-181
	1	SUPPORT – BULKHEAD LOWER	21A01158-187
	1	ASSY BULKHEAD #8 R	21A01000-266
	1	BULKHEAD - MAIN	21A01158-182
	1	SUPPORT – BULKHEAD LOWER	21A01158-188

WIPLINE MODEL 2350 FLOAT PARTS MANUAL

ITEM	QTY	FIGURE 1: HULL ASSEMBLY-AMPHIBIAN PART DESCRIPTION	PART NO.
8	1	ASSY BULKHEAD #9 L.	21A01000-263
	1	BULKHEAD - MAIN	21A01158-191
	1	SUPPORT – BULKHEAD LOWER	21A01158-193
	1	ANGLE – A.B. SKIN ATTACH L.	21A01158-179
	1	ANGLE – A.B. SKIN ATTACH R.	21A01158-180
	1	ASSY BULKHEAD #9 R	21A01000-264
	1	BULKHEAD - MAIN	21A01158-190
	1	SUPPORT – BULKHEAD LOWER	21A01158-192
	1	ANGLE – A.B. SKIN ATTACH L.	21A01158-179
	1	ANGLE – A.B. SKIN ATTACH R.	21A01158-180
9	1	ASS'Y – BULKHEAD #10	21A01000-262
	1	BULKHEAD - MAIN	21A01158-169
	1	ANGLE SIDE L.	21A01326-011
	1	ANGLE SIDE R.	21A01326-012
	1	PANEL – SPR. BAR	21A01163-066
	1	CLAMP, PUMP OUT TUBE	3A01158-003
10	1	BULKHEAD #11	21A01000-395
11	1	BULKHEAD #12	21A01000-396
12	1	BULKHEAD #13	21A01000-397
13	1	ASS'Y BULKHEAD #15	23A01000-298
	1	BULKHEAD - MAIN	23A01158-198
	1	CHANNEL – REIN.	21A01158-165
	1	PLATE – AFT.	21A08156-130
14	1	ASS'Y SPR. BAR PANEL FWD	23A01000-302
	1	PANEL – SPR. BAR	21A01163-065
	1	ANGLE – SIDE L.	23A01326-019
	1	ANGLE – SIDE R.	23A01326-018
	1	BOLT	AN4-5A
	1	WASHER	NAS1149F0463P

WIPLINE MODEL 2350 FLOAT PARTS MANUAL

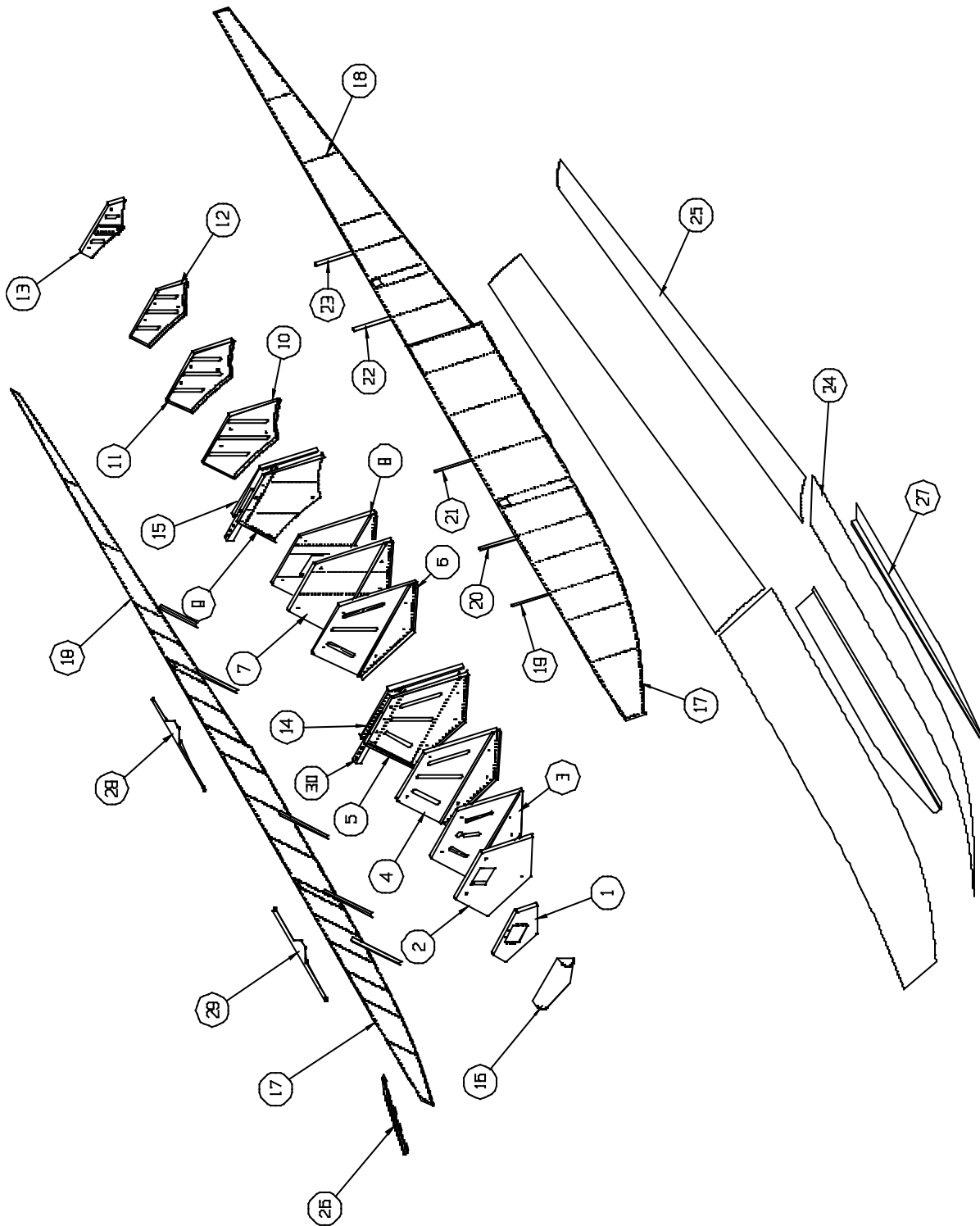
ITEM	QTY	FIGURE 1: HULL ASSEMBLY-AMPHIBIAN PART DESCRIPTION	PART NO.
	1	NUT	MS21044N4
15	1	ASS'Y SPR. BAR PANEL AFT	21A01000-259
	1	PANEL – SPR. BAR	21A01163-065
	1	ANGLE – SIDE L.	21A01326-009
	1	ANGLE – SIDE R.	21A01326-010
	1	BOLT	AN4-5A
	1	WASHER	NAS1149F0463P
	1	NUT	MS21044N4
16	1	NOSE BUMPER	21A01000-295
17	1	STEP – BOARDING	3A01000-005
18	2	REINFORCEMENT – COVER	21A01156-126
19	2	COVER – INSP.	21A01004-101
	56	SCREW – ATTACH	AN526-632R6
	2	COVER SIDE ACCESS ASSEMBLY	21A01000-427
	2	GASKET	21A01567-012
20	1	SIDE SKIN – STEP TO BOW L. OUTBR'D	23A01004-109
	1	SIDE SKIN – STEP TO BOW R. OUTBR'D	23A01004-108
	1	SIDE SKIN – STEP TO BOW L. INBR'D	23A01004-111
	1	SIDE SKIN – STEP TO BOW R. INBR'D	23A01004-110
	1	BRACKET (PADDLE)	3A01158-093
	1	PADDLE STOP	1002113
	1	CLIP (FOR HOLDING PADDLE)	3A01503-001
	1	PADDLE	0238-0035
21	1	SIDE SKIN – STEP TO STERN L. OUTBR'D	23A01004-113
	1	SIDE SKIN – STEP TO STERN R. OUTBR'D	23A01004-112
	1	SIDE SKIN – STEP TO STERN L. INBR'D	23A01004-115
	1	SIDE SKIN – STEP TO STERN R. INBR'D	23A01004-114
		NOTE: DIFFERENCE BETWEEN R. AND L. IS FINISH	

WIPLINE MODEL 2350 FLOAT PARTS MANUAL

ITEM	QTY	FIGURE 1: HULL ASSEMBLY-AMPHIBIAN PART DESCRIPTION	PART NO.
22	2	STIFFENER – SIDE SKIN	23A01340-114
23	2	STIFFENER – SIDE SKIN	23A01340-115
24	2	STIFFENER – SIDE SKIN	23A01340-116
25	2	STIFFENER – SIDE SKIN	23A01340-117
26	2	STIFFENER – SIDE SKIN	23A01340-118
27	1	ASS'Y BOTTOM SKIN FWD L.	23A01000-327
	1	ASS'Y BOTTOM SKIN FWD R. (INCLUDES BONDED STIFFENERS)	23A01000-328
	2	STIFFENER	21A01322-001
	2	STIFFENER	21A01322-002
	2	STIFFENER	21A01322-003
	2	STIFFENER	21A01322-004
	10	STIFFENER	21A01322-006
28	1	BOTTOM SKIN AFTERBODY L.	23A01004-121
	1	BOTTOM SKIN AFTERBODY R.	23A01004-120
29	1	ASS'Y SPRAY RAIL L.	21A01000-275
	1	ASS'Y SPRAY RAIL R.	21A01000-274
30	1	BOOSTER – SISTER KEEL L.	21A01000-429
	1	BOOSTER – SISTER KEEL R.	21A01000-428
31	1	DOUBLER – GUNWALL AFT L.	21A01162-033
32	1	DOUBLER – GUNWALL FWD L.	21A01162-031
	1	DOUBLER – GUNWALL FWD R.	21A01162-032
	1	DOUBLER – GUNWALL AFT R.	21A01162-034
33	2	TUBE – SPR. BAR MOUNTING	21A03115-001
	6	BOLT	AN4-22A

WIPLINE MODEL 2350 FLOAT PARTS MANUAL

ITEM	QTY	FIGURE 1: HULL ASSEMBLY-AMPHIBIAN PART DESCRIPTION	PART NO.
	12	WASHER	NAS1149D0416J
	12	WASHER	NAS1149D0463J
	6	NUT	MS21044N4



HULL ASSEMBLY – SEAPLANE

FIGURE 2

WIPLINE MODEL 2350 FLOAT PARTS MANUAL

ITEM	QTY	FIGURE 2: HULL ASSEMBLY-SEAPLANE PART DESCRIPTION	PART NO.
1	1	BULKHEAD #1	21A01163-067
	1	COVER – NOSE GEAR OPENING	21S01150-134
	A/R	PLATE NUT	MS21059L3
2	1	ASSY BULKHEAD #3	21A01000-265
	1	BULKHEAD	21A01158-184
	1	ANGLE – NOSE BOX ATTACH	21A01326-006
	1	ANGLE – NOSE BOX ATTACH	21A01326-005
3	1	ASSY BULKHEAD #4	21A01000-261
	1	BULKHEAD – MAIN	21A01158-174
	1	SUPPORT – BULKHEAD LOWER	21A01158-175
	1	CLAMP, PUMP OUT TUBE	3A01158-003
4	1	ASSY BULKHEAD #5	23A01000-296
	1	BULKHEAD – MAIN	23A01158-196
	1	SUPPORT – BULKHEAD LOWER	21A01158-175
	1	CLAMP, PUMP OUT TUBE	3A01158-003
5	1	ASSY BULKHEAD #6	23A01000-297
	1	BULKHEAD - MAIN	23A01158-197
	1	ANGLE – SIDE L.	23A01326-017
	1	ANGLE – SIDE R.	22A01326-016
	1	PANEL – SPR. BAR	21A01163-066
	1	SUPPORT – BULKHEAD LOWER	21A01158-177
	1	CLAMP, PUMP OUT TUBE	3A01158-003
6	1	ASSY BULKHEAD #7	21A01000-252
	1	BULKHEAD – MAIN	21A01158-189
	1	SUPPORT – BULKHEAD LOWER	21A01158-177
	1	GROMMET	MS35489-19
7	1	ASSY BULKHEAD #8	21S01000-308
	1	BULKHEAD - MAIN	21A01158-189
	1	SUPPORT – BULKHEAD LOWER	21A01158-177
	1	CLAMP, PUMP OUT TUBE	3A01158-003

WIPLINE MODEL 2350 FLOAT PARTS MANUAL

ITEM	QTY	FIGURE 2: HULL ASSEMBLY-SEAPLANE PART DESCRIPTION	PART NO.
8	1	ASSY BULKHEAD #9	21S01000-309
	1	BULKHEAD – MAIN	21A01158-189
	1	SUPPORT – BULKHEAD LOWER	21A01158-177
	2	ANGLE – A.B. SKIN ATTACH	21A01158-203
	1	CLAMP, PUMP OUT TUBE	3A01158-003
9	1	ASS'Y – BULKHEAD #10	21S01000-322
	1	BULKHEAD - MAIN	21A01158-169
	1	ANGLE SIDE L.	21A01326-011
	1	ANGLE SIDE R.	21A01326-012
	1	PANEL – SPR. BAR	21A01163-066
	2	ANGLE – VERTICAL	23A01340-118
	1	CLAMP, PUMP OUT TUBE	3A01158-003
10	1	BULKHEAD #11	21A01158-168
11	1	BULKHEAD #12	21A01158-167
12	1	BULKHEAD #13	21A01158-166
13	1	ASS'Y BULKHEAD #15	23A01000-298
	1	BULKHEAD - MAIN	23A01158-198
	1	CHANNEL – REIN.	21A01158-165
	1	PLATE – AFT.	21A08156-130
14	1	ASS'Y SPR. BAR PANEL FWD	23A01000-302
	1	PANEL – SPR. BAR	21A01163-065
	1	ANGLE – SIDE L.	23A01326-019
	1	ANGLE – SIDE R.	23A01326-018
	1	BOLT	AN4-5A
	1	WASHER	NAS1149F0463P
	1	NUT	MS21044N4
15	1	ASS'Y SPR. BAR PANEL AFT	21A01000-259
	1	PANEL – SPR. BAR	21A01163-065

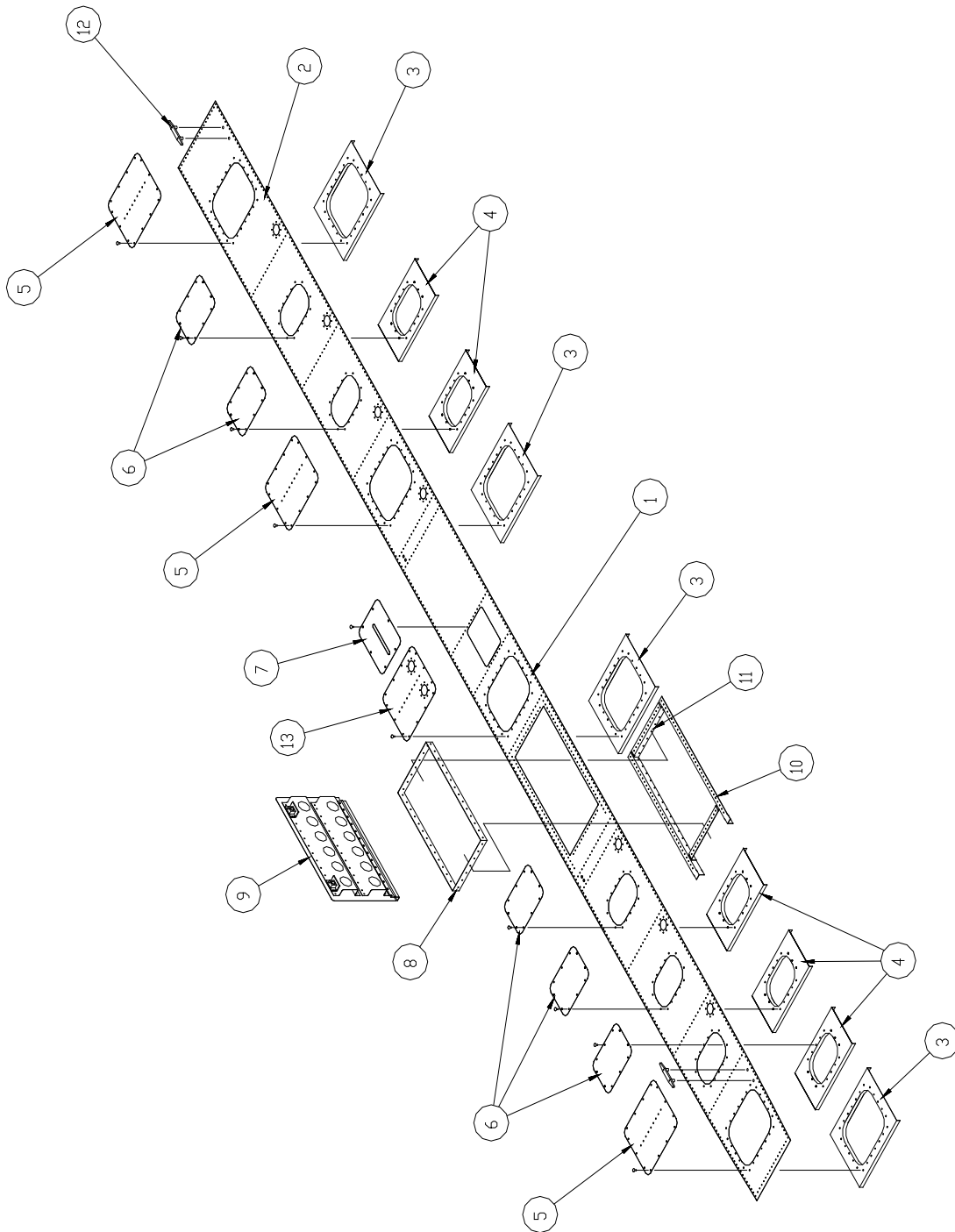
WIPLINE MODEL 2350 FLOAT PARTS MANUAL

ITEM	QTY	FIGURE 2: HULL ASSEMBLY-SEAPLANE PART DESCRIPTION	PART NO.
	1	ANGLE – SIDE L.	21A01326-009
	1	ANGLE – SIDE R.	21A01326-010
	1	BOLT	AN4-5A
	1	WASHER	NAS1149F0463P
	1	NUT	MS21044N4
16	1	NOSE BUMPER	21S01738-001
17	1	SIDE SKIN – STEP TO BOW L. OUTBR'D	23S01004-123
	1	SIDE SKIN – STEP TO BOW R. OUTBR'D	23S01004-122
	1	SIDE SKIN – STEP TO BOW L. INBR'D	23S01004-125
	1	SIDE SKIN – STEP TO BOW R. INBR'D	23S01004-124
	1	BRACKET (PADDLE)	3A01158-093
	1	PADDLE STOP	1002113
	1	CLIP (FOR HOLDING PADDLE)	3A01503-001
	1	PADDLE	0238-0035
18	1	SIDE SKIN – STEP TO STERN L. OUTBR'D	23A01004-113
	1	SIDE SKIN – STEP TO STERN R. OUTBR'D	23A01004-112
	1	SIDE SKIN – STEP TO STERN L. INBR'D	23A01004-115
	1	SIDE SKIN – STEP TO STERN R. INBR'D	23A01004-114
		NOTE: DIFFERENCE BETWEEN R. AND L. IS FINISH	
19	2	STIFFENER – SIDE SKIN	23A01340-114
20	2	STIFFENER – SIDE SKIN	23A01340-115
21	2	STIFFENER – SIDE SKIN	23A01340-116
22	2	STIFFENER – SIDE SKIN	23A01340-117
23	2	STIFFENER – SIDE SKIN	23A01340-118
24	1	ASS'Y BOTTOM SKIN FWD L.	23A01000-327
	1	ASS'Y BOTTOM SKIN FWD R.	23A01000-328
		(INCLUDES BONDED STIFFENERS)	

WIPLINE MODEL 2350 FLOAT PARTS MANUAL

ITEM	QTY	FIGURE 2: HULL ASSEMBLY-SEAPLANE PART DESCRIPTION	PART NO.
	2	STIFFENER	21A01322-001
	2	STIFFENER	21A01322-002
	2	STIFFENER	21A01322-003
	2	STIFFENER	21A01322-004
	10	STIFFENER	21A01322-006
25	1	BOTTOM SKIN AFTERBODY L.	23S01004-133
	1	BOTTOM SKIN AFTERBODY R.	23S01004-132
26	1	ASS'Y SPRAY RAIL L.	21A01000-275
	1	ASS'Y SPRAY RAIL R.	21A01000-274
27	1	BOOSTER – SISTER KEEL L.	21A01000-429
	1	BOOSTER – SISTER KEEL R.	21A01000-428
28	1	DOUBLER – GUNWALL AFT L.	21A01162-033
	1	DOUBLER – GUNWALL AFT R.	21A01162-034
29	1	DOUBLER – GUNWALL FWD L.	21A01162-031
	1	DOUBLER – GUNWALL FWD R.	21A01162-032
30	2	TUBE – SPR. BAR MOUNTING	21A03115-001
	6	BOLT	AN4-22A
	12	WASHER	NAS1149D0416J
	12	WASHER	NAS1149D0463J
	6	NUT	MS21044N4

THIS PAGE INTENTIONALLY LEFT BLANK



TOP SKIN – HULL – AMPHIBIAN
FIGURE 3

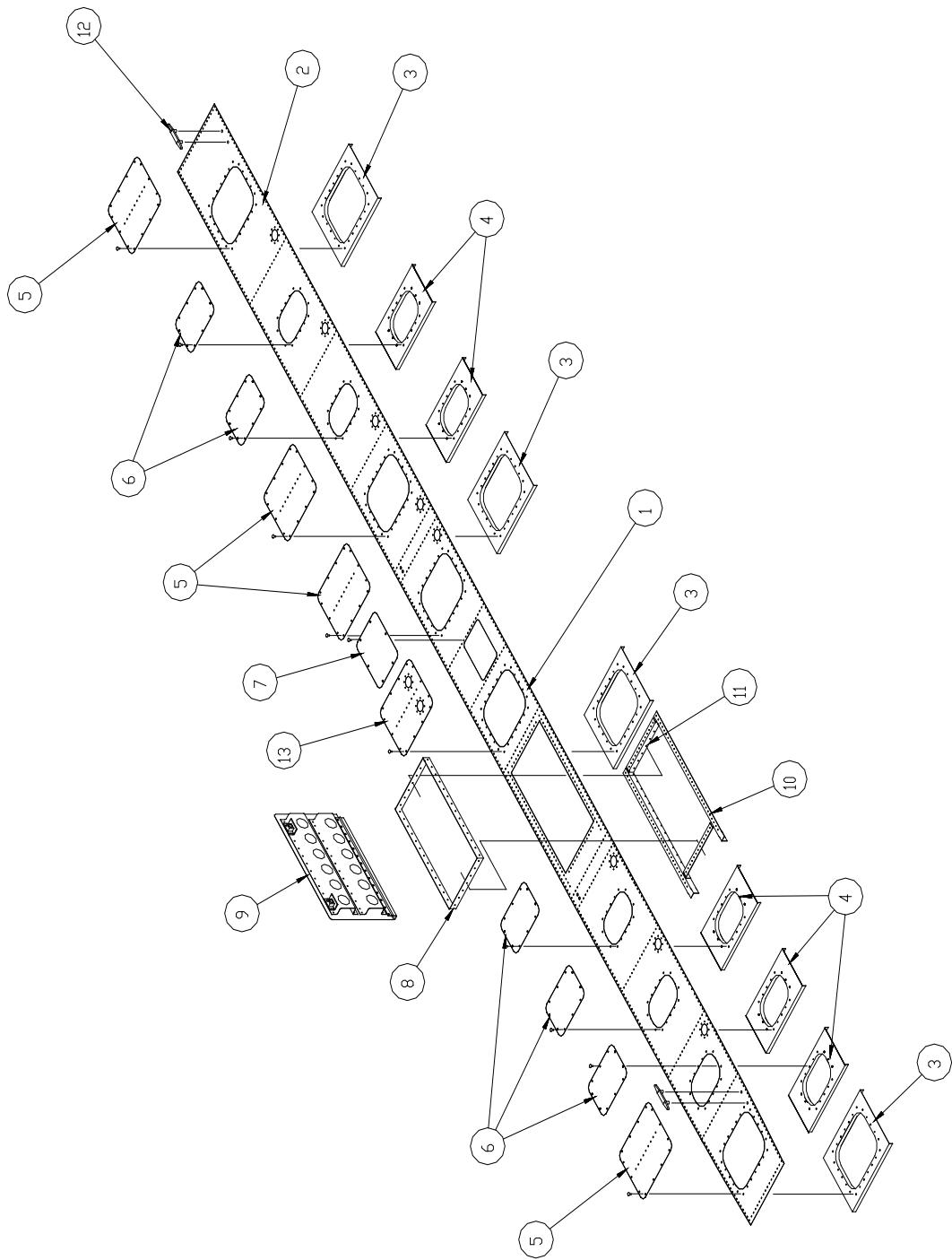
WIPLINE MODEL 2350 FLOAT PARTS MANUAL

ITEM	QTY	FIGURE 3: TOP SKIN – HULL –AMPHIBIAN PART DESCRIPTION	PART NO.
1	1	SKIN – FWD SECTION L.	23A01004-117
	1	SKIN – FWD SECTION R.	23A01004-116
2	1	SKIN – AFT SECTION L.	23A01004-119
	1	SKIN – AFT SECTION R.	23A01004-118
3	4	SUPPORT – INSP. COVER – LARGE	21A01002-130
	A/R	NUT – TINNERMAN & INSULATOR	1002481
4	5	SUPPORT – INSP. COVER – SMALL	21A01002-131
	A/R	NUT – TINNERMAN & INSULATOR	1002481
		<i>(YEAR MANUFACTURED CHANGES COVER QUANTITIES)</i>	
5	4/3	INSP. COVER – LARGE – W/ ANGLE & GASKETS	21A01000-258
	A/R	SCREW – ATTACH	#8 X 5/8
	4/3	SEAL – GASKET ONLY	1001437
	4/3	SEAL – GASKET ONLY	21A01567-001
6	5	INSP. COVER – SMALL & GASKETS	21A01000-284
	A/R	SCREW – ATTACH	#8 X 5/8
	5	SEAL – GASKET ONLY	1001728
	5	SEAL – GASKET ONLY	21A01567-002
7	1	COVER – GEAR INDICATOR L.	21A01002-137
	1	COVER – GEAR INDICATOR R.	21A01002-138
	1	PLACARD – DOWN - LAND	10A3-6338-1
	1	PLACARD – UP - WATER	10A3-6338-2
	4	SCREW – CAM - LOK	2600-3
	2	SCREW – CAM – LOK	1126000-5
	6	RECEPTACLE – CAM – LOK	212-12
8	1	JAMB – BAGGAGE DOOR	21A01150-131
	1	JAMB – HINGE SIDE	1002067
9	1	ASSY – BAGGAGE DOOR	21A01000-268
	1	COVER - SKIN	21A01162-035

WIPLINE MODEL 2350 FLOAT PARTS MANUAL

ITEM	QTY	FIGURE 3: TOP SKIN – HULL –AMPHIBIAN PART DESCRIPTION	PART NO.
	1	HINGE	21A01741-004
	1	HINGE PIN	1002186
	2	STIFFENER - DOOR	21A01010-012
	2	STIFFENER ENDS	21A01004-106
	2	RETAINER - LOCK	3A01206-001
	2	LOCK PIN	3A01273-004
	2	CATCH – LATCH	3A01702-004
	2	LOCK SPRING	3A01525-003
	2	RING – OPENING	1002663
	1	SEAL – GASKET (NOT SHOWN) BAGGAGE HUTCH	1001438
	12	POP RIVET	01692-0410
	2	BOLT	10/32 X ½ SS
10	1	TOP RAIL – BAGGAGE OPENING L.	21A01326-003
	1	TOP RAIL – BAGGAGE OPENING R.	21A01326-002
11	2	JAMB – BAGGAGE DOOR	21A01326-004
12	2	CLEAT – TIE DOWN	21A01203-001
	4	BUSHING	21A01280-004
	4	SCREW – ATTACH	AN525-10R24
13	1	INSP. COVER – LARGE – W/ ANGLE (2 CUPS) & GASKETS	21A01000-273
	A/R	SCREW – ATTACH	#8 X 5/8
	1	SEAL – GASKET ONLY	1001437

THIS PAGE INTENTIONALLY LEFT BLANK



TOP SKIN – HULL – SEAPLANE
FIGURE 4

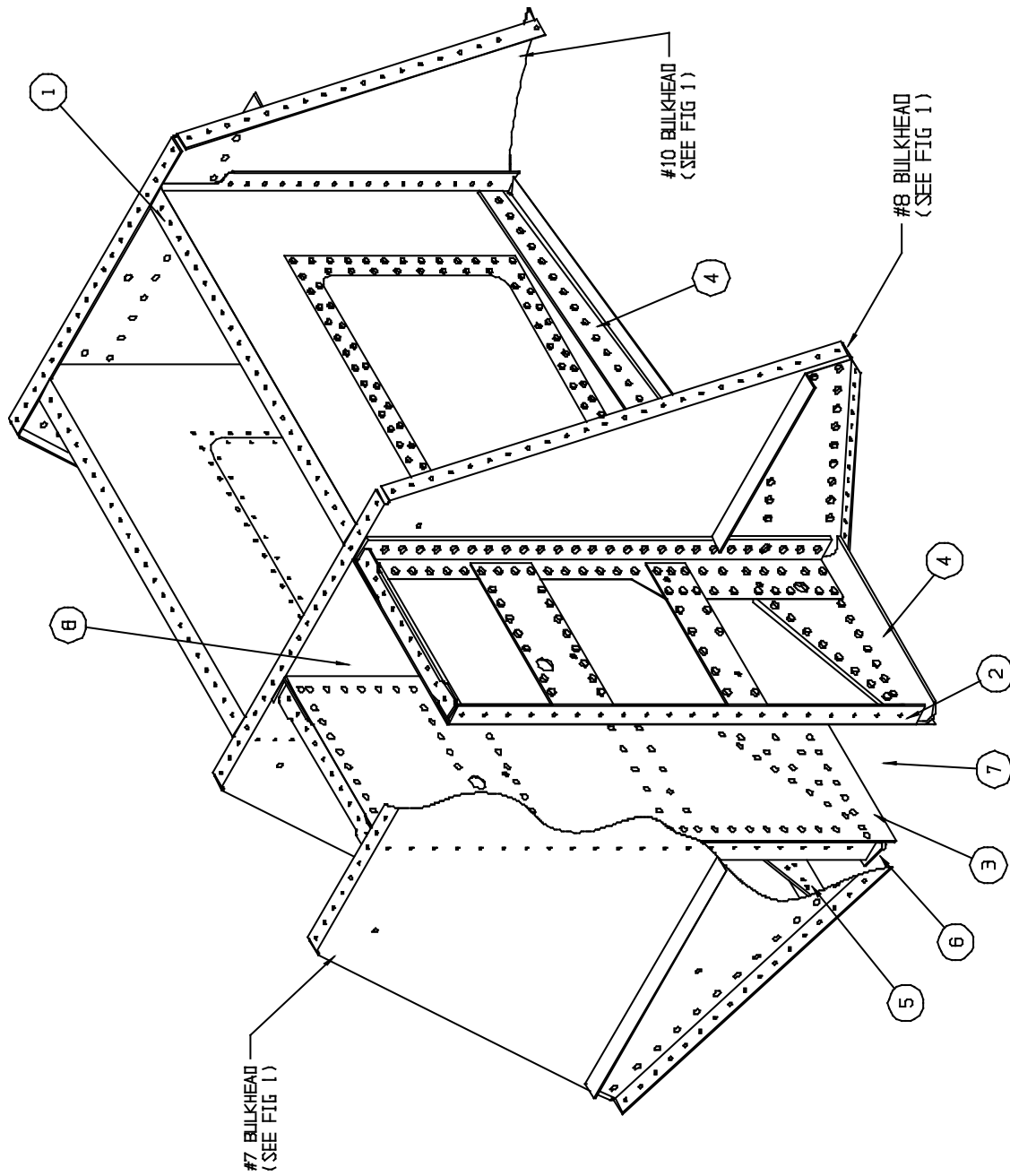
WIPLINE MODEL 2350 FLOAT PARTS MANUAL

ITEM	QTY	FIGURE 4: TOP SKIN – HULL – SEAPLANE PART DESCRIPTION	PART NO.
1	1	SKIN – FWD SECTION L.	23S01004-139
	1	SKIN – FWD SECTION R.	23S01004-138
2	1	SKIN – AFT SECTION L.	23S01004-141
	1	SKIN – AFT SECTION R.	23S01004-140
3	5	SUPPORT – INSP. COVER - LARGE	21A01002-130
	A/R	NUT – TINNERMAN & INSULATOR	1002481
4	5	SUPPORT – INSP. COVER – SMALL	21A01002-131
	A/R	NUT – TINNERMAN & INSULATOR	1002481
5	5	INSP. COVER – LARGE – W/ ANGLE & GASKETS	21A01000-258
	A/R	SCREW – ATTACH	#8 X 5/8
	5	SEAL – GASKET ONLY	1001437
	5	SEAL – GASKET	21A01567-001
6	5	INSP. COVER – SMALL & GASKETS	21A01000-284
	A/R	SCREW – ATTACH	#8 X 5/8
	5	SEAL – GASKET ONLY	1001728
	5	SEAL – GASKET	21A01567-002
7	1	COVER W/ GASKET	21S01000-399
	1	SEAL – GASKET	21S01567-013
	A/R	SCREW – ATTACH	#8 X 5/8
	A/R	NUT – TINNERMAN & INSULATOR	1002481
	2	STIFFENER – ANGLE	30S01326-035
8	1	JAMB – BAGGAGE DOOR	21A01150-131
	1	JAMB – BAGGAGE DOOR, HINGE SIDE	1002067
9	1	ASSY – BAGGAGE DOOR	21A01000-268
	1	COVER – SKIN	21A01162-035
	1	HINGE	21A01741-004

WIPLINE MODEL 2350 FLOAT PARTS MANUAL

ITEM	QTY	FIGURE 4: TOP SKIN – HULL – SEAPLANE PART DESCRIPTION	PART NO.
	2	STIFFENER – DOOR	21A01010-012
	1	HINGE PIN	1002186
	2	STIFFENER ENDS	21A01004-106
	2	RETAINER – LOCK	3A01206-004
	2	LOCK PIN	3A01273-004
	2	CATCH – LATCH	3A01702-001
	2	LOCK SPRING	3A01525-003
	2	RING – OPENING	1002663
	1	SEAL – GASKET (NOT SHOWN)	1001438
	12	POP RIVET	01692-0410
	2	BOLT	10/32 X ½ SS
10	1	TOP RAIL – BAGGAGE OPENING L.	21A01326-003
	1	TOP RAIL – BAGGAGE OPENING R.	21A01326-002
11	1	JAMB – BAGGAGE DOOR	21A01326-004
12	2	CLEAT – TIE DOWN	21A01203-001
	4	BUSHING	21A01280-004
	4	SCREW – ATTACH	AN525-10R24
13	1	INSP. COVER – LARGE – W/ ANGLE (2 CUPS) & GASKETS	21A01000-273
	A/R	SCREW – ATTACH	#8 X 5/8
	1	SEAL – GASKET ONLY	1001437

SECTION 2: WHEEL WELL ASSEMBLY - AMPHIBIAN



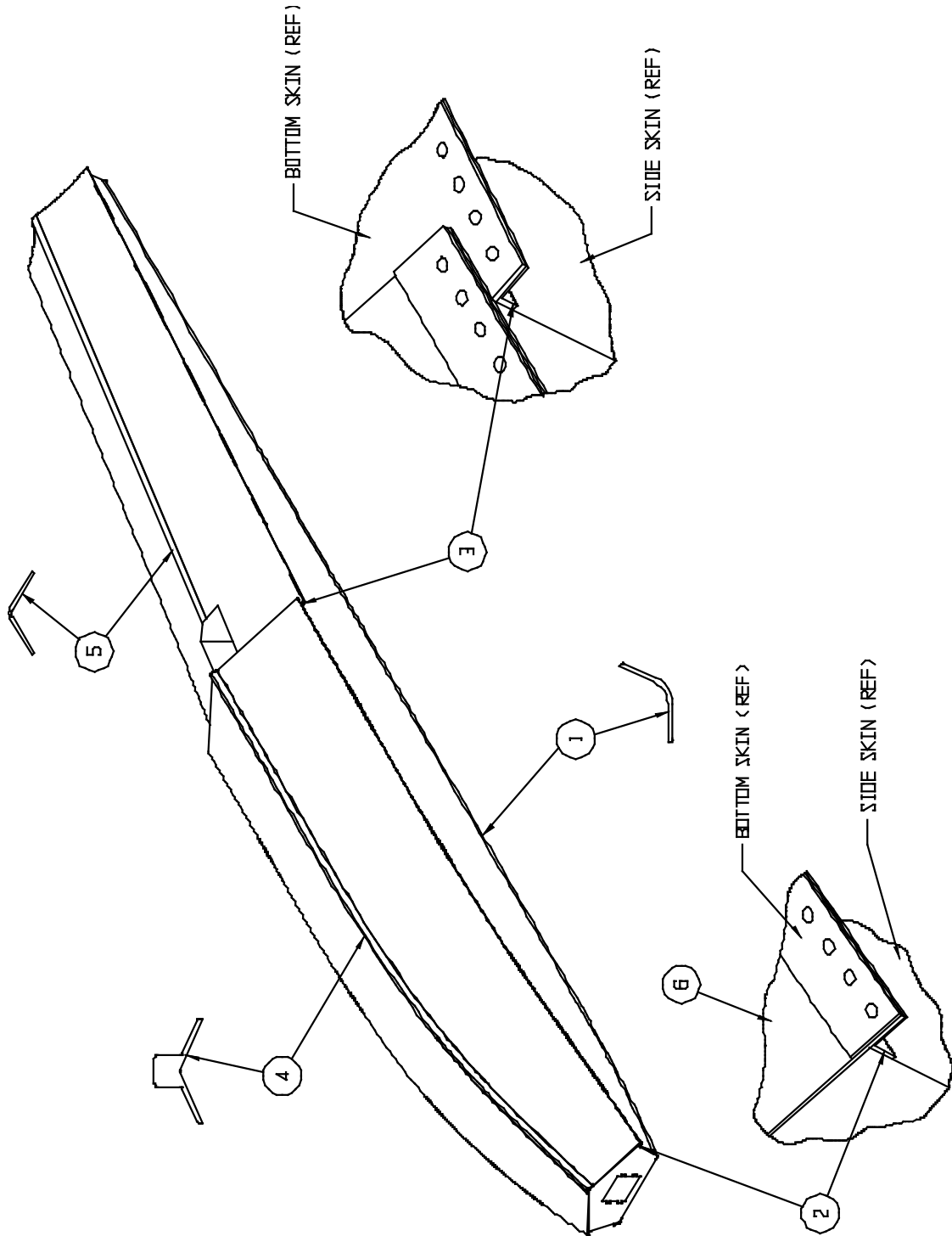
WHEEL WELL ASSEMBLY – AMPHIBIAN
FIGURE 5

WIPLINE MODEL 2350 FLOAT PARTS MANUAL

ITEM	QTY	FIGURE 5: WHEEL WELL ASS'Y - AMPHIBIAN PART DESCRIPTION	PART NO.
1	1	ASS'Y – WHEELWELL HALF L.	21A01000-289
	1	PANEL – FORMED L.	21A01158-185
	1	RING – COVER REINFORCEMENT	13A01156-124
	1	COVER	21A01158-163
	28	SCREW	AN526-632R6
	1	ASS'Y – WHEELWELL HALF R.	21A01000-290
	1	PANEL – FORMED R.	21A01158-186
	1	RING – COVER REINFORCEMENT	13A01156-124
	1	COVER	21A01158-163
	28	SCREW	AN526-632R6
2	1	ASS'Y – WHEELWELL PANEL – OUTBR'D L.	21A01000-257
	1	ASS'Y - WHEELWELL PANEL – OUTBR'D R.	21A01000-256
3	1	ASS'Y – WHEELWELL PANEL – INBR'D L.	21A01000-255
	1	ASS'Y - WHEELWELL PANEL – INBR'D R.	21A01000-254
4	1	CARRY-THRU STRAP OUTBR'D L.	21A01017-005
	1	CARRY-THRU STRAP OUTBR'D R.	21A01017-004
5	1	CARRY-THRU STRAP INBR'D L.	21A01017-003
	1	CARRY-THRU STRAP INBR'D R.	21A01017-002
6	1	CARRY-THRU STRAP INBR'D L.	21A01017-007
	1	CARRY-THRU STRAP INBR'D R.	21A01017-006
	1	ANGLE – ATTACH AFT L.	21A01156-131
	1	ANGLE – ATTACH AFT R.	21A01156-132
	1	SHIM	21A01156-125
	2	ANGLE – ATTACH FWD	21A01326-015
7	1	SAND GUARD (NOT SHOWN)	21A01150-136
	4	SCREW	AN526-1032R8
	1	SAND GUARD ASS'Y	21A01000-398
	4	NUT PLATE	MS21078-3
8	1	MUD FLAP (NOT SHOWN)	21A01569-001
	1	REINFORCEMENT	21A01150-135

THIS PAGE INTENTIONALLY LEFT BLANK

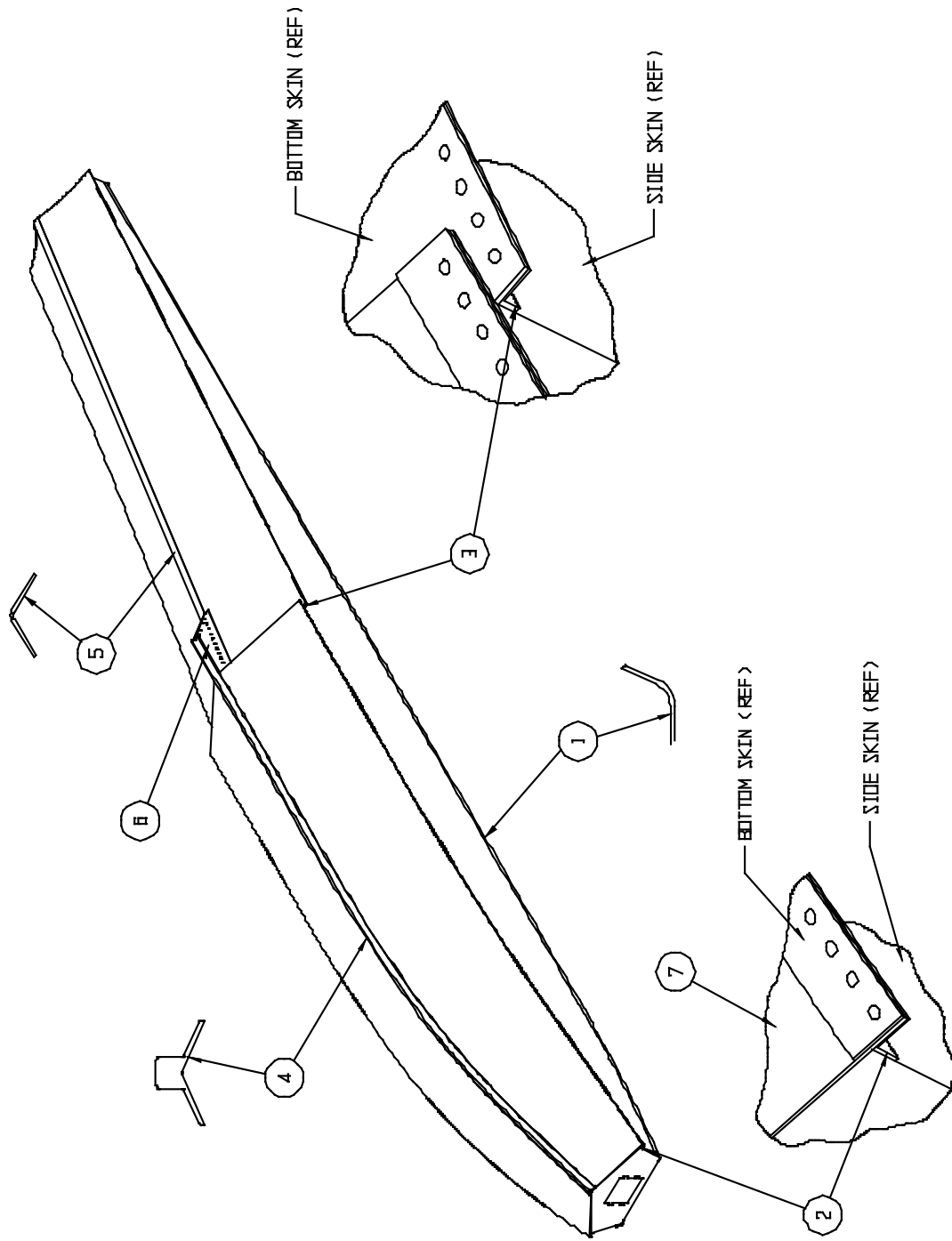
SECTION 3: HULL EXTRUSIONS - AMPHIBIAN AND STRAIGHT



EXTRUSIONS – HULL – AMPHIBIAN
FIGURE 6

WIPLINE MODEL 2350 FLOAT PARTS MANUAL

ITEM	QTY	FIGURE 6: HULL EXTRUSIONS - AMPHIBIAN PART DESCRIPTION	PART NO.
1	1	GUNWALL – L.	23A01324-003
	1	GUNWALL – R.	23A01324-004
2	1	CHINE - FWD L.	23A01340-013
	1	CHINE – FWD R.	23A01340-012
3	1	CHINE – AFTERBODY L.	23A01340-011
	1	CHINE – AFTERBODY R.	23A01340-010
4	1	KEEL - MAIN	23A01321-002
5	1	KEEL - AFTERBODY	23A01008-170
6	1	STRAP – CHINE L.	23A01005-295
	1	STRAP – CHINE R.	23A01005-296



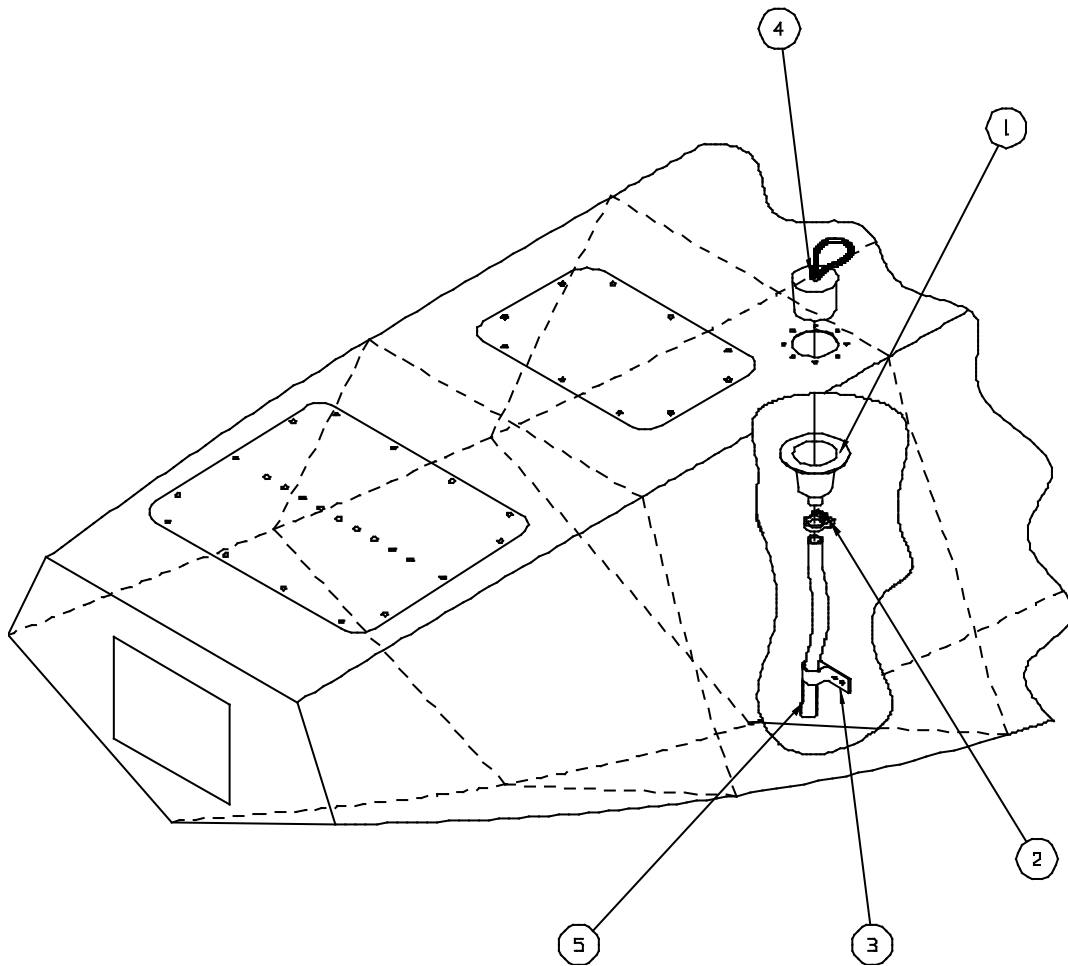
EXTRUSIONS – HULL – SEAPLANE
FIGURE 7

WIPLINE MODEL 2350 FLOAT PARTS MANUAL

FIGURE 7: HULL EXTRUSIONS - SEAPLANE			
ITEM	QTY	PART DESCRIPTION	PART NO.
1	1	GUNWALL – L.	23A01324-003
	1	GUNWALL – R.	23A01324-004
2	1	CHINE - FWD L.	23A01340-013
	1	CHINE – FWD R.	23A01340-012
3	1	CHINE – AFTERBODY L.	23A01340-011
	1	CHINE – AFTERBODY R.	23A01340-010
4	1	KEEL - MAIN	23S01321-003
5	1	KEEL - AFTERBODY	23S01008-173
6	1	ANGLE SUPPORT – AFTERBODY L.	21S01163-037
	1	ANGLE SUPPORT – AFTERBODY R.	21S01163-038
7	1	STRAP - CHINE L.	23A01005-295
	1	STRAP – CHINE R.	23A01005-296

THIS PAGE INTENTIONALLY LEFT BLANK

SECTION 4: PUMPER TUBE INSTALLATION



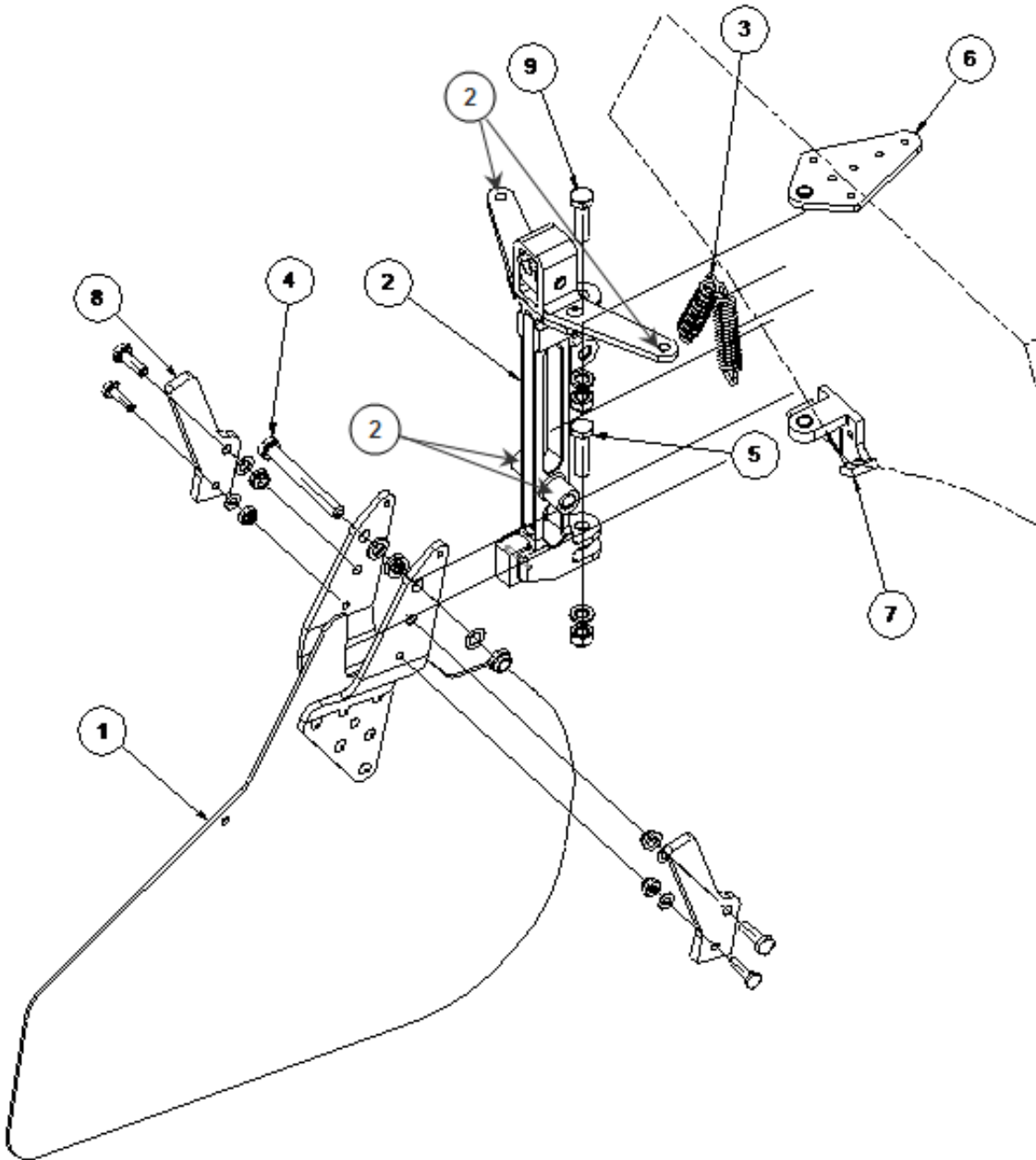
PUMPER TUBE INSTALLATION
FIGURE 8

WIPLINE MODEL 2350 FLOAT PARTS MANUAL

FIGURE 8: PUMPER TUBE INSTALLATION			
ITEM	QTY	PART DESCRIPTION	PART NO.
1	1	CUP – PUMPOUT ALUM.	4A01749-001
	A/R	RIVETS	MS20470AD4-4
2	1	CLAMP – UPPER END	57134
3	1	CLAMP – LOWER END	3A01158-003
4	1	STOPPER – PUMPER TUBE	2111
5	1	PUMPOUT TUBE 10.5 IN.	21A01618-062
	1	PUMPOUT TUBE 12.5 IN.	21A01618-061
	1	PUMPOUT TUBE 15.0 IN.	21A01618-060
	1	PUMPOUT TUBE 17.5 IN.	21A01618-059
	1	PUMPOUT TUBE 23.0 IN.	21A01618-058
	1	PUMPOUT TUBE 21.5 IN.	21A01618-056
	1	PUMPOUT TUBE 18.5 IN.	21A01618-055

THIS PAGE INTENTIONALLY LEFT BLANK

SECTION 5: WATER RUDDER INSTALLATION



INSTALLATION - WATER RUDDER
FIGURE 9

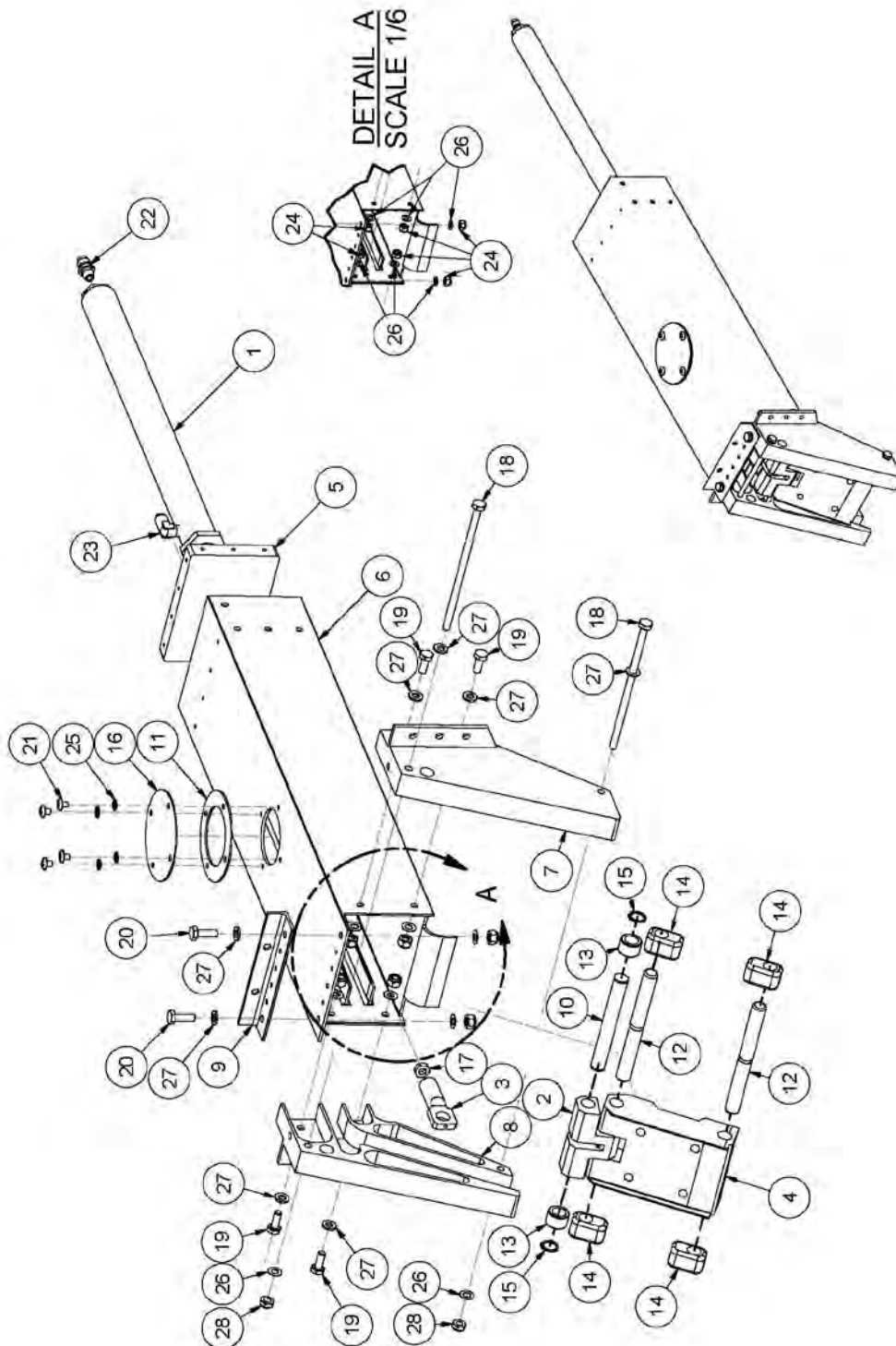
WIPLINE MODEL 2350 FLOAT PARTS MANUAL

ITEM	QTY	FIGURE 9: WATER RUDDER INSTALLATION PART DESCRIPTION	PART NO.
1	1	ASS'Y., BLADE	21A08000-123
	1	BLADE	1002649
	1	ARM, L.	21A08019-001
	1	ARM, R.	21A08019-002
2	1	WATER RUDDER POST WITH BELLCRANK ASSEMBLY	1003858
	1	WATER RUDDER POST ASSEMBLY	1003854
	1	WATER RUDDER POST	1003267
	2	BUSHING	05DU06
	1	BELLCRANK, WATER RUDDER POST ASSEMBLY	1003853
	1	BELLCRANK, WATER RUDDER POST	1003274
	2	BUSHING	03DU04
	1	BUMPER, DOWN STOP	21A08648-002
	1	ROLL PIN	1001457
	1	GUIDE, RETRACT	21A8602-009
	1	PIN ATTACH	5/16 x 1 ½ inches
3	2	SPRING	21A08525-006
4	1	BOLT, ATTACH	AN5-25A
	3	WASHER	NAS1149D0516J
	1	WASHER	NAS 1149D0563J
	1	NUT	MS21083N5
5	1	BOLT, ATTACH	AN5-11A
	A/R	WASHER	NAS1149D0563J
	1	NUT	MS21044N5
6	1	ASS'Y., TOP BEARING	21A01000-299
	1	PLATE	21A01019-003
	1	BEARING	21A01705-003
7	1	ASS'Y., LOWER BEARING	21A08000-157

WIPLINE MODEL 2350 FLOAT PARTS MANUAL

FIGURE 9: WATER RUDDER INSTALLATION			
ITEM	QTY	PART DESCRIPTION	PART NO.
	1	BRACKET	21A08318-002
	1	BEARING	05DU06
8	2	STOP	21A08154-009
	2	BOLT, ATTACH, LWR.	AN4-6A
	2	WASHER	NAS1149D0416J
	2	NUT	MS21083N4
	2	BOLT, ATTACH, LWR.	AN3-6A
	2	WASHER	NAS1149D0316J
	2	NUT	MS21044N3
9	1	BOLT, ATTACH	AN5-12A
	A/R	WASHER	NAS1149D0563J
	1	NUT	MS21044N5

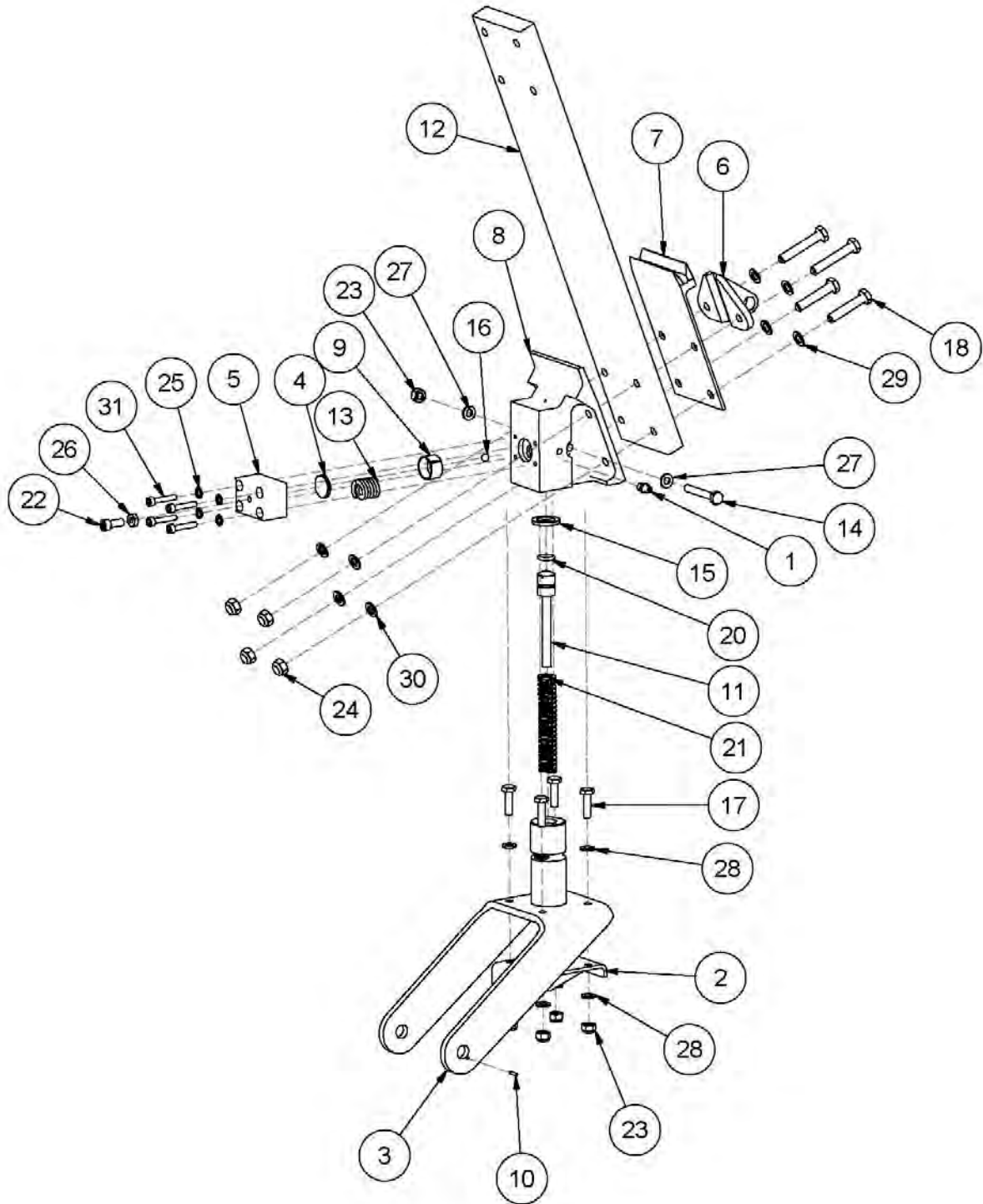
SECTION 6: NOSE GEAR ASSEMBLY



ASSEMBLY – NOSE GEAR RETRACTION
FIGURE 10

WIPLINE MODEL 2350 FLOAT PARTS MANUAL

ITEM	QTY	FIGURE 10: NOSE GEAR RETRACTION ASS'Y. PART DESCRIPTION	PART NO.
1	1	CYLINDER, NOSE GEAR, 2100/2350	1002571
2	1	LINK - TROLLEY, NOSE GEAR	21A07032-005
3	1	END - ROD, CYLINDER, NOSE GEAR	21A07094-002
4	1	TROLLEY - NOSE GEAR	21A07187-009
5	1	END CAP, NOSE BOX	21A07237-002
6	1	BOX, NOSE GEAR	21A07323-001
7	1	END, NOSE GEAR TRACK LEFT	21A07349-003
8	1	END, NOSE GEAR TRACK, RIGHT	21A07349-004
9	1	EXTRUSION, ANGLE	21A07359-194
10	1	AXLE, TROLLEY LINK	21A07509-007
11	1	GASKET, COVER, NOSE BOX, 2100 AND 3000	30A07567-011
12	2	AXLE, TROLLEY	34A07509-008
13	2	BEARING - TROLLEY, NOSE GEAR	3A07530-001
14	4	BLOCK, SLIDE, TROLLEY, NOSE GEAR	3A07604-001
15	2	SNAP RING	5100-46-H
16	1	COVER, BULKHEAD HYD CYL. HOLE	8A01008-080
17	1	NUT	AN316-5R
18	2	BOLT	AN4-53A
19	4	BOLT	AN4-5A
20	2	BOLT	AN4-6A
21	4	SCREW, MACHINE, TRUSS HEAD	AN526-1032R4
22	1	NIPPLE, FLARED TUBE AND PIPE THREAD	AN816-4D
23	1	ELBOW	MS20822-4D
24	6	NUT	MS21044N4
25	4	STAR WASHER	MS35333-39
26	8	WASHER	NAS1149D0416J
27	8	WASHER	NAS1149D0463J
28	2	KAYNAR NUT	NAS679-A4W



ASSEMBLY – NOSE GEAR – LOWER
FIGURE 11

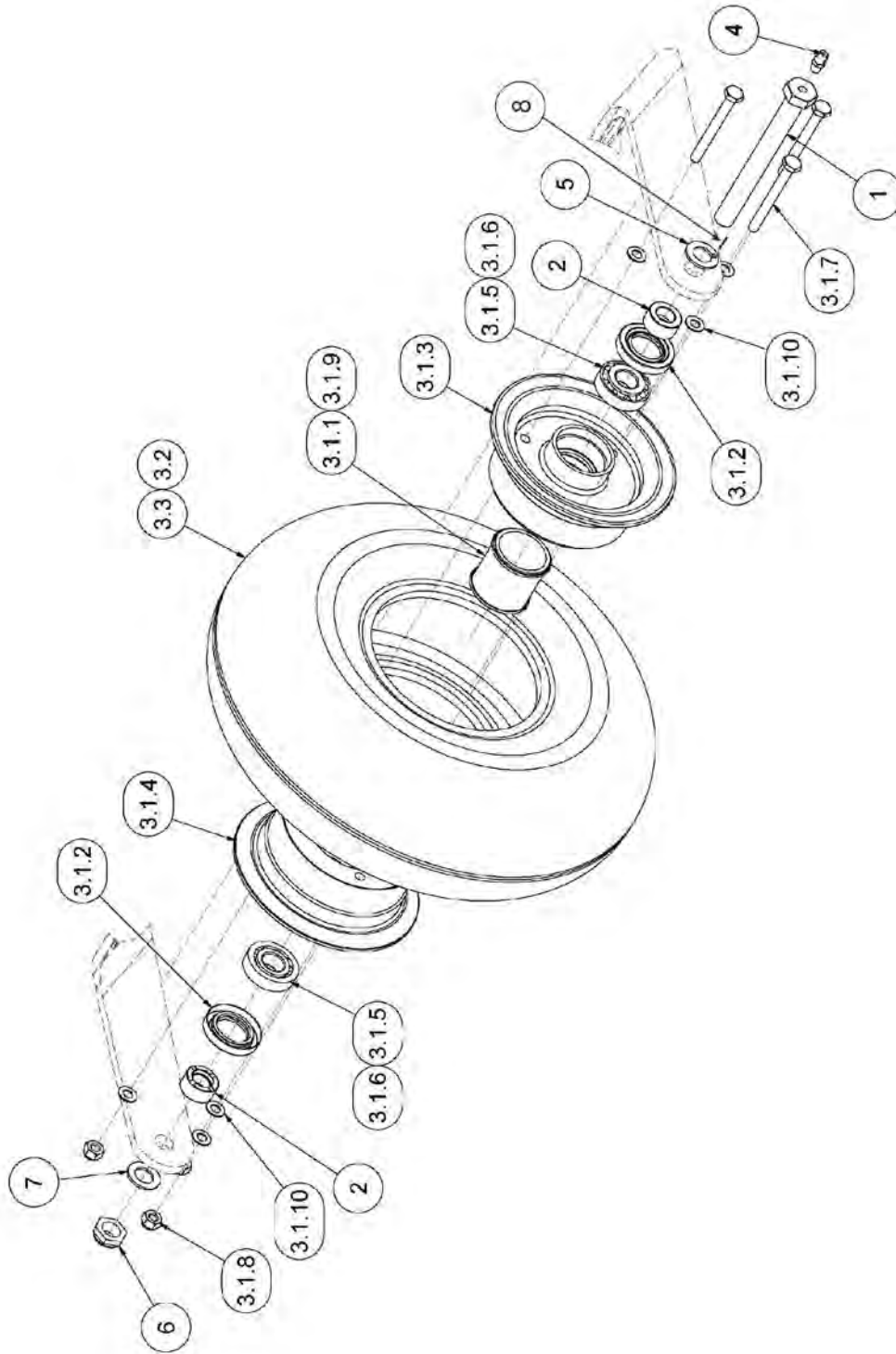
WIPLINE MODEL 2350 FLOAT PARTS MANUAL

ITEM	QTY	FIGURE 11: ASSEMBLY – NOSE GEAR - LOWER PART DESCRIPTION	PART NO.
1	1	COMMON GREASEZERK	1095K41
2	1	WELDMENT, PIVOT SHAFT, FORK, NOSE GEAR	21A06000-020
3	1	FORK, NOSE GEAR (2100)	21A06020-001
4	1	PRESSURE PLATE	21A06160-053
5	1	BLOCK - SPRING	21A06194-005
6	1	TOW HOOK NOSE GEAR	21A06213-006
7	1	BEARING PLATE, LOWER, NOSE GEAR	21A06237-001
8	1	BLOCK - PIVOT, NOSE GEAR	21A06318-005
9	1	FRICTION CUP	21A06475-006
10	1	PIN, ANTIROTATION	21A06476-003
11	1	PLUNGER- NOSE WHEEL, 21,23,3,34	21A06605-002
12	1	SPRING NOSE GEAR	21A06653-001
13	1	PRESSURE SPRING	21A06705-005
14	1	BOLT – MODIFIED, PIVOT BLOCK	30A06702-016
15	1	THRUST WASHER	3A06602-001
16	1	1/4" CHROME BALL BEARING	9528K15
17	4	BOLT	AN4-7A
18	2	BOLT	AN5-14A

WIPLINE MODEL 2350 FLOAT PARTS MANUAL

ITEM	QTY	FIGURE 11: ASSEMBLY – NOSE GEAR - LOWER PART DESCRIPTION	PART NO.
19	2	BOLT	AN5-16A
20	1	O-RING	AN6227-9
21	1	SPRING	M62-350
22	1	SOCKET HEAD CAP SCREW	MS16997-60
23	5	NUT	MS21044N4
24	4	NUT	MS21044N5
25	4	STAR WASHER	MS35333-39
26	1	NUT	MS35649-2252
27	2	WASHER	NAS1149D0463J
28	8	WASHER	NAS1149F0463P
29	4	WASHER	NAS1149F0532P
30	4	WASHER	NAS1149F0563P
31	4	SOCKET HEAD CAP SCREW	NAS1352-316P

THIS PAGE INTENTIONALLY LEFT BLANK



ASSEMBLY – NOSE WHEEL (GROVE)
 FIGURE 12A

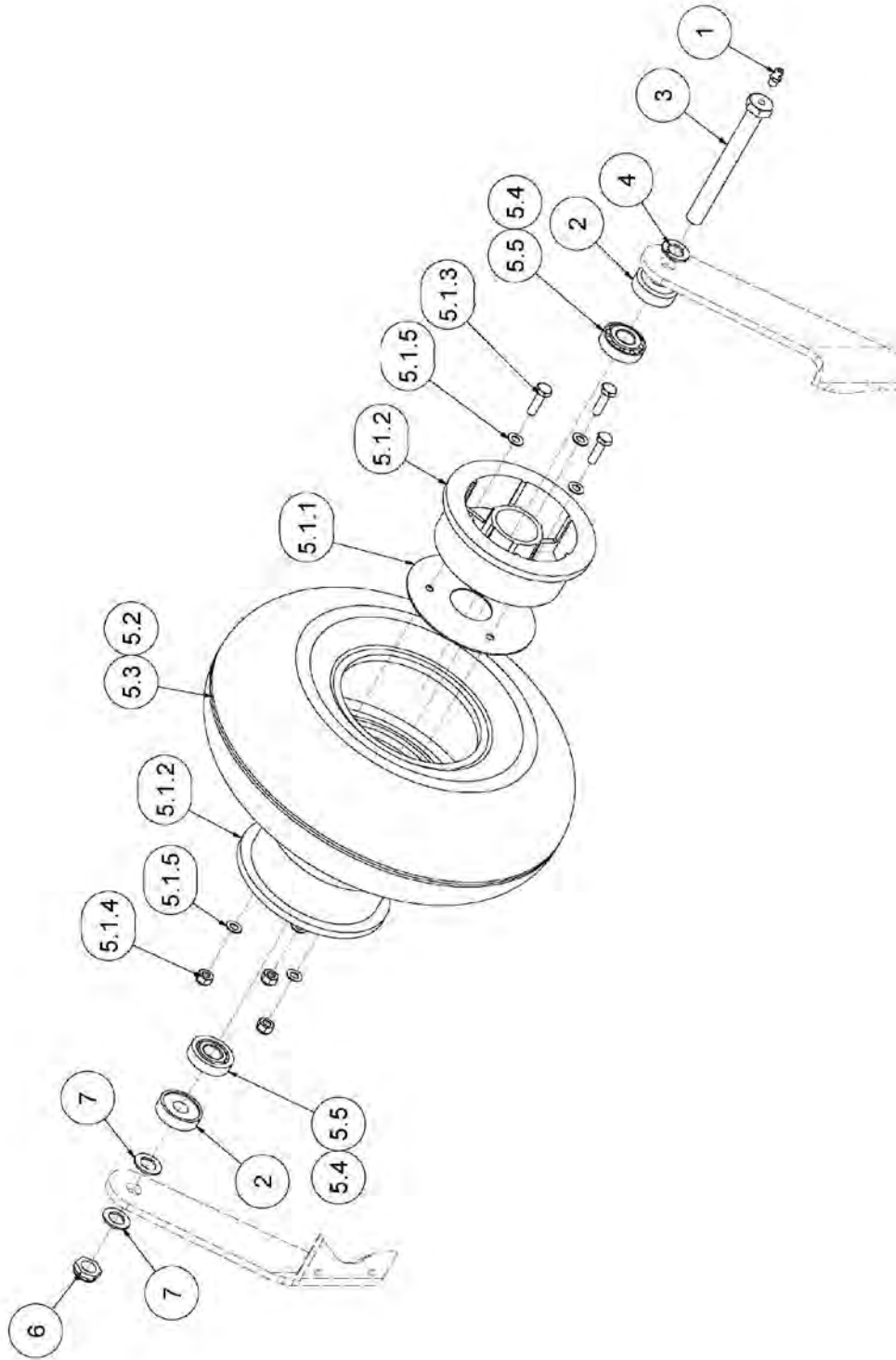
WIPLINE MODEL 2350 FLOAT PARTS MANUAL

ITEM	QTY	FIGURE 12A: NOSE WHEEL ASS'Y - GROVE PART DESCRIPTION	PART NO.
1	1	BOLT, AXLE, NOSE GEAR	1005927
2	2	SPACER	1005929
3	1	ASSEMBLY, NOSE WHEEL	1005931
3.1	1	ASSEMBLY, WHEEL, GROVE	49-12AF-001
3.1.1	1	GREASE RETAINER	010-019
3.1.2	2	SEAL	010-026
3.1.3	1	WHEEL HALF INNER	015-020A
3.1.4	1	WHEEL HALF OUTER	016-020AF
3.1.5	2	BEARING CORE	A4050
3.1.6	2	BEARING CONE	A4138
3.1.7	3	BOLT	AN4-23A
3.1.8	3	NUT	MS21044N-4
3.1.9	2	O-RING	MS28775-029
3.1.10	6	WASHER	NAS1149F0416
3.2	1	TIRE	XA1AA
3.3	1	TUBE	AD1A2
4	1	COMMON GREASE ZERK	1095K41
5	1	MODIFIED WASHER	3A06702-003

WIPLINE MODEL 2350 FLOAT PARTS MANUAL

ITEM	QTY	FIGURE 12A: NOSE WHEEL ASS'Y - GROVE PART DESCRIPTION	PART NO.
6	1	NUT	MS21083N8
7	1	WASHER	NAS1149D0863J
8	1	PIN ANTI ROTATE AXEL	21A06476-003

THIS PAGE INTENTIONALLY LEFT BLANK



ASSEMBLY – NOSE WHEEL (PARKER)
FIGURE 12B

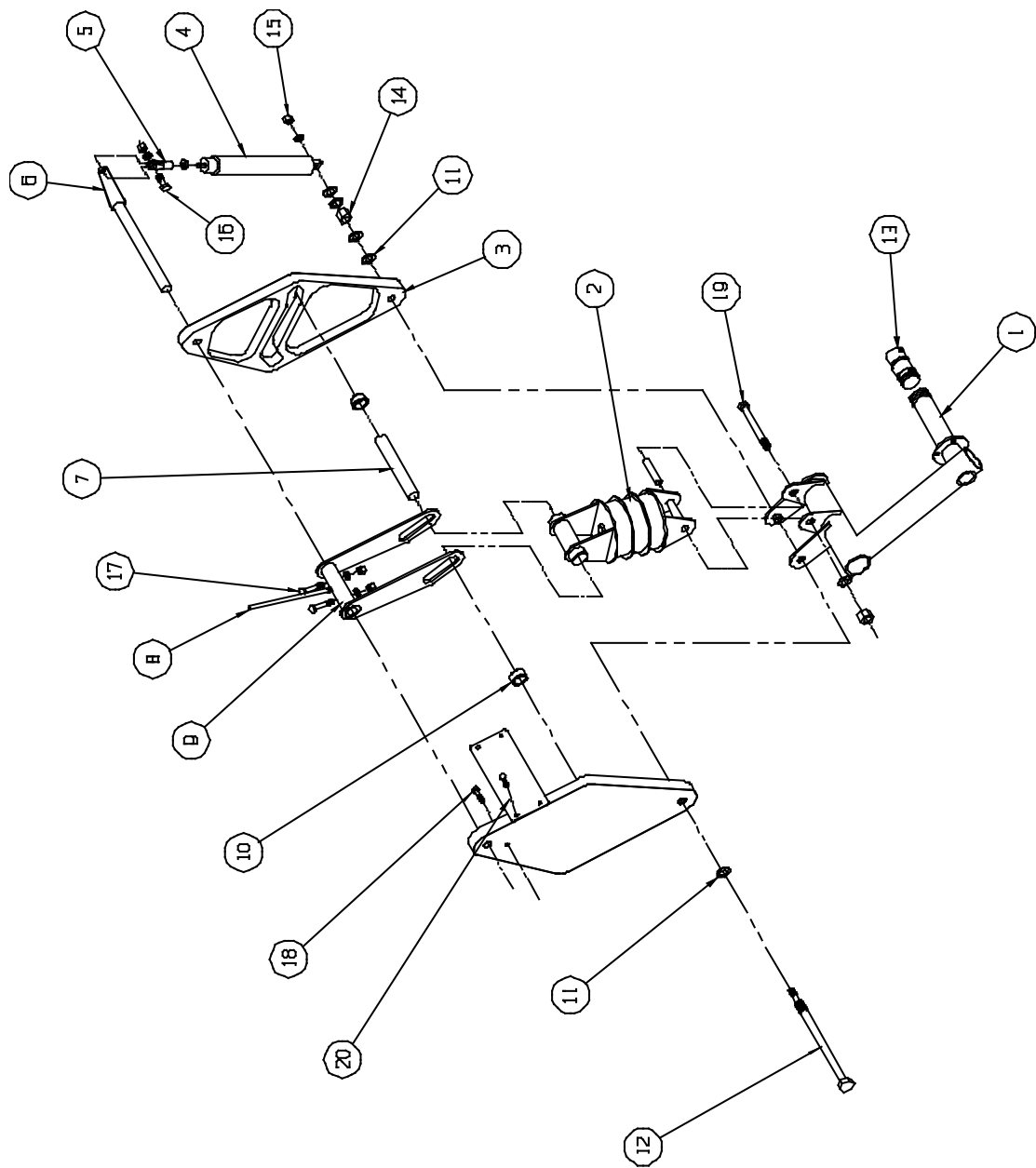
WIPLINE MODEL 2350 FLOAT PARTS MANUAL

ITEM	QTY	FIGURE 12B: NOSE WHEEL ASS'Y - PARKER PART DESCRIPTION	PART NO.
1	1	COMMON GREASE ZERK	1095K41
2	2	SPACER	3A06259-001
3	1	MODIFIED BOLT	3A06702-002
4	1	MODIFIED WASHER	3A06702-003
5	1	NOSE WHEEL ASS'Y.	21A06000-021
5.1	1	PARKER WHEEL ASS'Y.	D-30380
5.1.1	1	GASKET	068-30373
5.1.2	2	WHEEL HALF	161-30382
5.1.3	3	BOLT	AN4-7A
5.1.4	3	NUT	MS21044N4
5.1.5	6	WASHER	NAS1149F0432P
5.2	1	TIRE	XA1AA
5.3	1	TUBE	AD1A2
5.4	2	BEARING CORE	A4050
5.5	2	BEARING CONE	A4138

WIPLINE MODEL 2350 FLOAT PARTS MANUAL

ITEM	QTY	FIGURE 12B: NOSE WHEEL ASS'Y - PARKER PART DESCRIPTION	PART NO.
6	1	NUT	MS21083N8
7	2	WASHER	NAS1149D0863J

SECTION 7: MAIN GEAR ASSEMBLY



INSTALLATION MAIN GEAR RETRACTION
FIGURE 13

WIPLINE MODEL 2350 FLOAT PARTS MANUAL

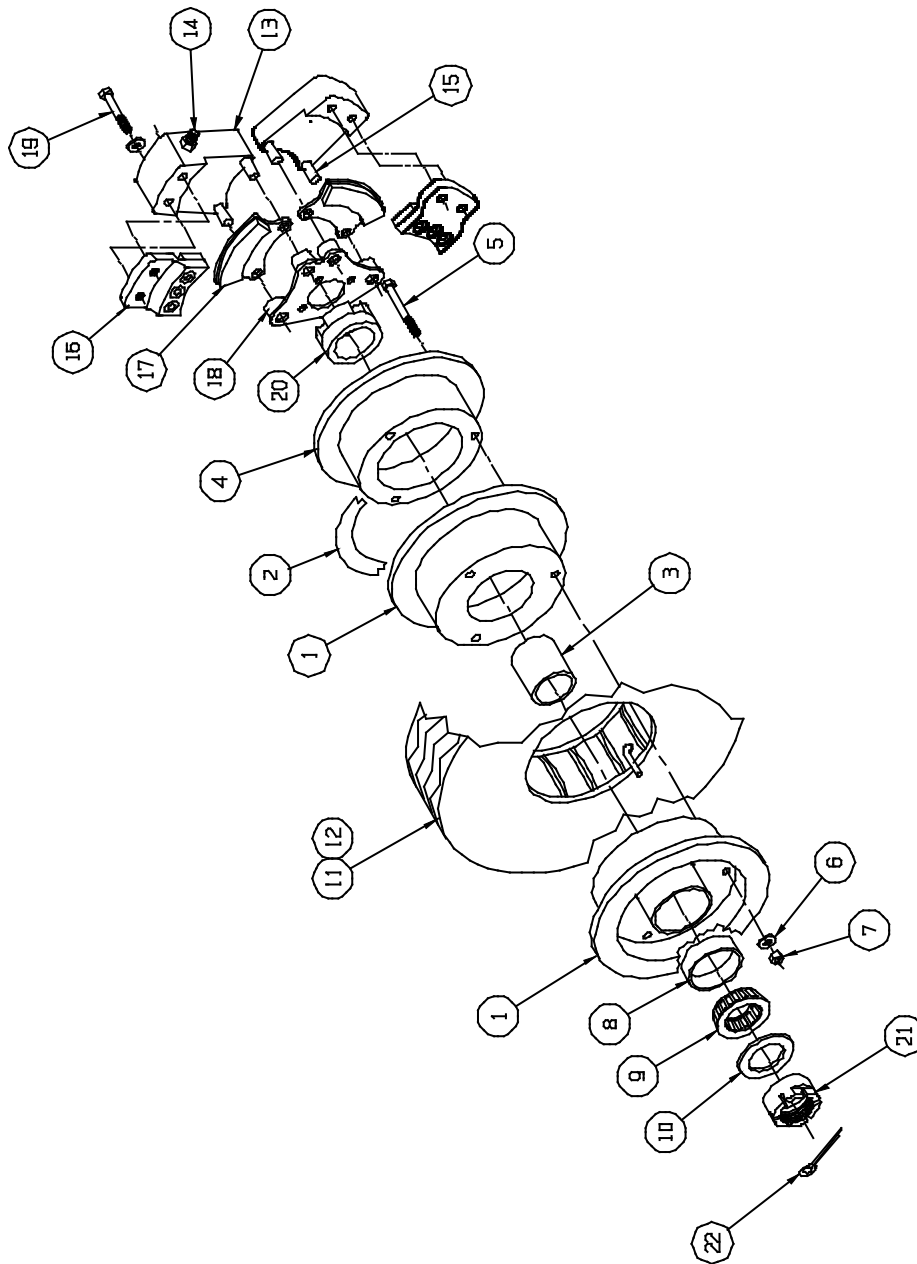
ITEM	QTY	FIGURE 13: INSTALLATION – MAIN GEAR RETRACTION PART DESCRIPTION	PART NO.
1	1	ASS'Y – DRAG LINK L.	21A04000-077
	1	ASS'Y – DRAG LINK R.	21A04000-076
	2	BEARING	08FDU12
2	1	ASS'Y SHOCK STRUT	23A04000-113
	1	ASS'Y – LOWER END	21A04000-075
	1	SLEEVE	21A04585-002
	2	ZERK – GREASE	1095K41
	1	ASS'Y – UPPER END	21A04000-074
	1	DUAL BUSHING ASSEMBLY	1002088
	1	BUSHING ASSEMBLY	1001101
	1	RETAINING PIN	21A04503-004
	1	COTTER PIN	MS24665-151
	2	WASHER	NAS1149F0416J
	2	WASHER	NAS1149F0463J
3	1	TRACK – MAIN GEAR L.	21A05114-005
	1	TRACK – MAIN GEAR R.	21A05114-006
	1	BEARING - UPPER	10DU12
	1	BEARING – LOWER	08DU12
4	1	CYLINDER	1002574
	2	FITTING - ELBOW	MS20822-4D
5	1	ROD END	21A05705-002
	1	JAMB NUT	AN316-5
	1	SPACER	21A05260-005
	1	CHAMFERED WASHER	MS20002C6
		(CHAMFERED EDGE GOES AGAINST CYLINDER)	
6	1	ARM – RETRACT L.	21A05000-017
	1	ARM – RETRACT R.	21A05000-016
7	1	AXLE – SHOCK STRUT	21A04454-006
8	1	INDICTATOR ASS'Y	21A05000-022

WIPLINE MODEL 2350 FLOAT PARTS MANUAL

ITEM	QTY	FIGURE 13: INSTALLATION – MAIN GEAR RETRACTION PART DESCRIPTION	PART NO.
9	1	GEAR ACTUATOR	21A05000-018
10	2	ROLLER – TRACK	21A05520-003
11	2	WASHER – SEALING	93783A033
12	1	BOLT – ASSEMBLY	21A05000-019
13	1	RETAINER - GREASE	21A04263-007
	2	“O” RING	MS28775-210
	1	ZERK – GREASE	1095K41
14	1	NUT	MS21044N8
	2	WASHER	NAS1149F0863P
15	1	NUT	MS21083N5
	A/R	WASHER	NAS1149F0563P
16	1	BOLT	AN5-11A
	2	WASHER	NAS1149F0563P
	1	NUT	MS21044N5
17	2	BOLT	AN4-13A
	4	WASHER	NAS1149D0416J
	2	NUT	MS21044N4
18	8	BOLT – TRACK ATTACH	AN3-6A
	8	WASHER	NAS1149D0316J
	8	WASHER	NAS1149D0363J
	8	NUT	MS21044N3
19	1	BOLT	AN8-33A
	1	WASHER	NAS1149F0832P
	1	WASHER	NAS1149F0863P
	1	NUT	MS21044N8

WIPLINE MODEL 2350 FLOAT PARTS MANUAL

ITEM	QTY	FIGURE 13: INSTALLATION – MAIN GEAR RETRACTION PART DESCRIPTION	PART NO.
20	1	PLATE - SEPARATING	21A05003-079
	4	BOLT	AN3-5A
	8	WASHER	NAS1149D0316J
	4	NUT	MS21044N3



ASSEMBLY MAIN GEAR WHEEL – CLEVELAND/PARKER
FIGURE 14A

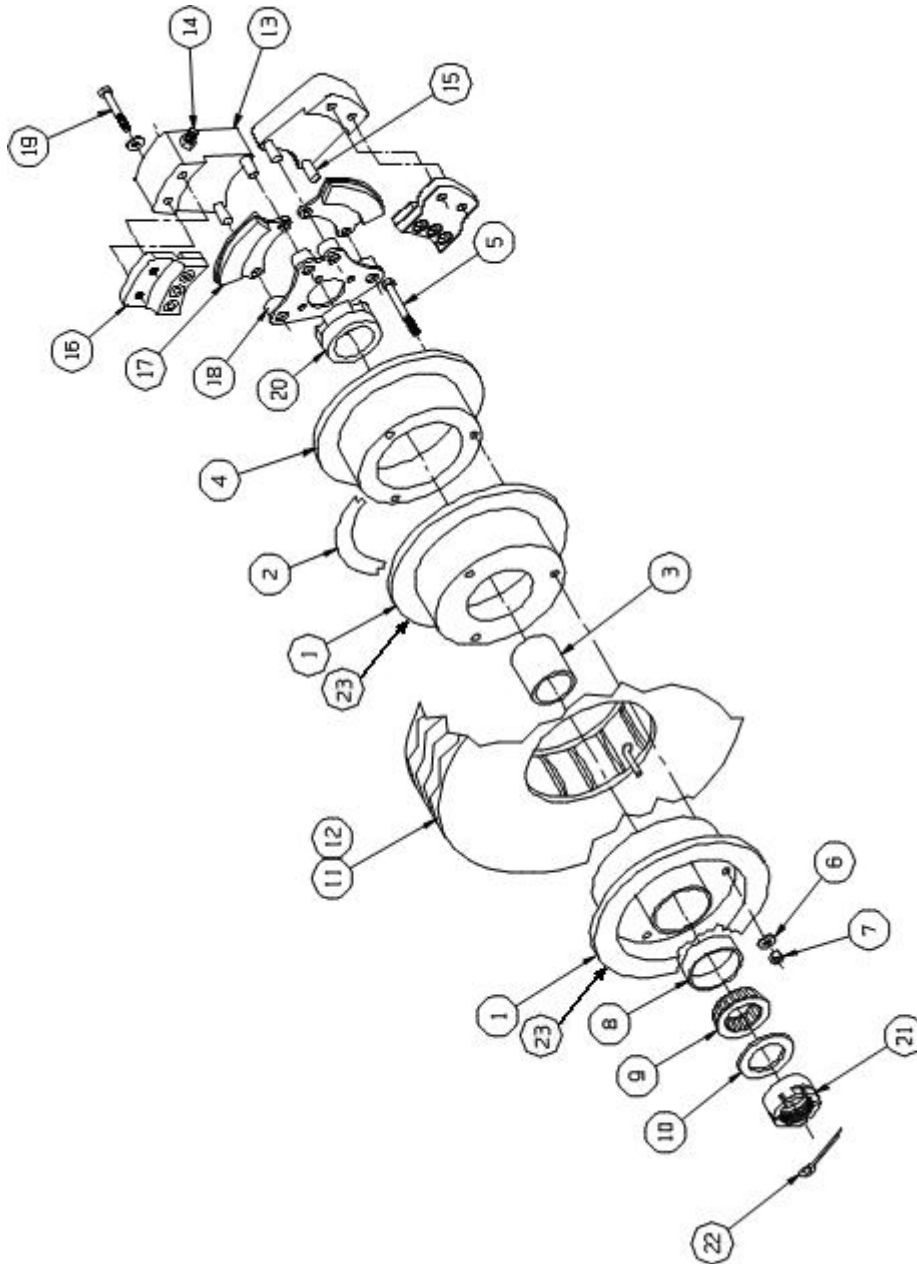
WIPLINE MODEL 2350 FLOAT PARTS MANUAL

ITEM	QTY	FIGURE 14A: ASS'Y MAIN GEAR WHEEL – CLEVELAND/PARKER PART DESCRIPTION	PART NO.
1	1	ASS'Y – WHEEL (W/ TUBE & TIRE)	3A04000-002
	1	ASS'Y - WHEEL	3A04000-060
2	1	GASKET - TEFLON	3A04620-001
3	1	GREASE RETAINER	3A04616-001
4	1	BRAKE DISC	164-01700
5	3	BOLT	AN4-22A
6	3	WASHER	NAS1149F0432P
7	3	NUT	MS21044N4
8	2	BEARING CUP	8231
		BEARING CUP, CHROME (OPT.)	8231CP
9	2	BEARING CONE	8125
		BEARING CONE, CHROME (OPT.)	8125CP
10	2	SEAL - INSIDE/OUTSIDE	473237
11	1	TIRE –TYPE III	500 X 5, 6 PLY
12	1	TUBE	500 X 5
	1	ASS'Y – BRAKE AND TORQUE PLATE	3A04000-052
13	2	ASS'Y – CALIPER	030-00903
	2	PISTON	062-00300
	2	“O” RING	AN6227-23
	2	FITTING - 45 DEGREES (BRAKE LINE)	MS20823-3D
14	2	SEAT – BLEEDER	081-30619
	2	SCREW – BLEEDER	79-3

WIPLINE MODEL 2350 FLOAT PARTS MANUAL

FIGURE 14A: ASS'Y MAIN GEAR WHEEL – CLEVELAND/PARKER			
ITEM	QTY	PART DESCRIPTION	PART NO.
	2	CAP – BLEEDER	183-1
15	4	ANCHOR BOLT	069-00400
	4	WASHER	NAS1149F0463P
	4	NUT	MS21044N4
16	2	ASS'Y – BACK PLATE	074-02700
	2	PLATE – BACK	064-00500
	2	LINING	066-10600
	6	RIVET	105-2
17	2	ASS'Y – PRESSURE PLATE	073-04800
	2	PLATE - PRESSURE	063-00500
	2	LINING	066-10600
	6	RIVET	105-2
18	1	BRAKE TORQUE PLATE - LEFT	23A04000-109
	1	BRAKE TORQUE PLATE – RIGHT	23A04000-110
19	4	BOLT	AN4H15A
	4	WASHER	NAS1149F0432P
20	1	SPACER	3A04093-001
21	1	NUT – AXLE	3A04268-003
22	1	COTTER PIN	MS24665-351

THIS PAGE INTENTIONALLY LEFT BLANK



ASSEMBLY – MAIN GEAR WHEEL – GROVE/WIPAIRE
FIGURE 14B

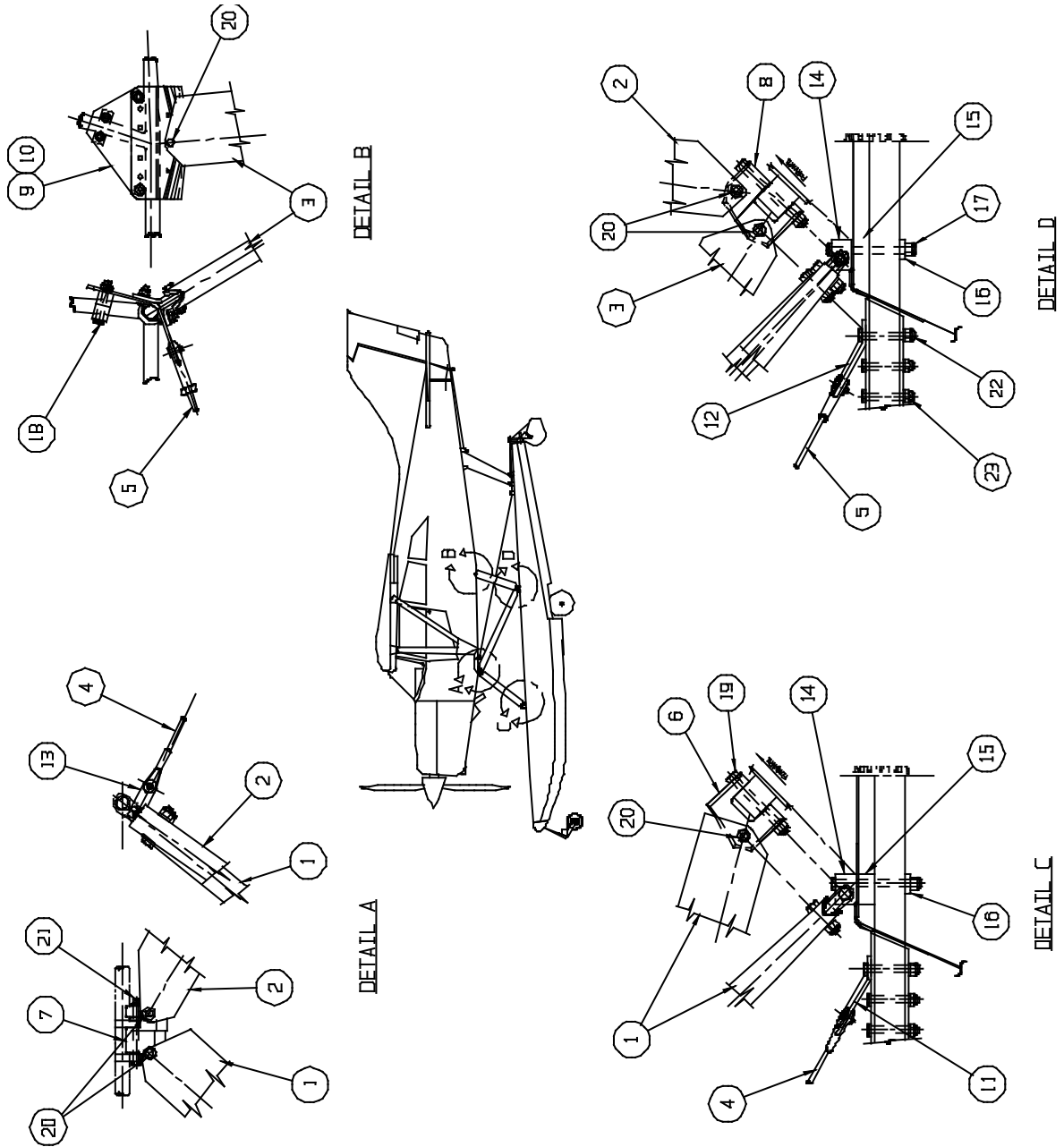
WIPLINE MODEL 2350 FLOAT PARTS MANUAL

ITEM	QTY	FIGURE 14B: ASS'Y MAIN GEAR WHEEL – GROVE/WIPAIRE PART DESCRIPTION	PART NO.
1	1	ASS'Y – WHEEL AND BRAKE (COMPLETE) <i>INCLUDES ALL ITEMS BELOW EXCEPT TIRE & TUBE</i>	1002144
2	1	GASKET - TEFLON	3A04620-001
3	1	GREASE RETAINER	010-009
4	1	BRAKE DISC	018-002
5	3	BOLT	AN4-23A
6	3	WASHER	NAS1149F0432P
7	3	NUT	MS21044N4
8	2	BEARING RACE, NON-CHROME	08125
9	2	BEARING CUP, NON-CHROME	08231
10	2	SEAL - INSIDE/OUTSIDE <i>DRILL #50 HOLE IN SIDE OF SEAL TO BE USED IN OUTBOARD SIDE OF WHEEL.</i>	473237
11	1	TIRE –TYPE III 500 X 5, 6 PLY	AA1D4
12	1	TUBE 500 X 5	XA1AC
13	1	BRAKE ASSEMBLY	32-3
	2	PISTON	017-003
	2	O-RING	MS28775-217
14	1	BLEEDER ASSEMBLY	220-0063
	1	FITTING 45° BRAKE LINE	MS20823-3D
15	2	TORQUE PIN	013-001
	2	NUT	MS21044N4
16	1	BACK PLATE ASSEMBLY	10-3

WIPLINE MODEL 2350 FLOAT PARTS MANUAL

ITEM	QTY	FIGURE 14B: ASS'Y MAIN GEAR WHEEL – GROVE/WIPAIRE PART DESCRIPTION	PART NO.
	1	PAD	66-111
	3	RIVET	105-2
17	1	PRESSURE PLATE ASSEMBLY	11-2
	1	LINING	66-111
	3	RIVET	105-2
18	1	BRAKE TORQUE PLATE ASSEMBLY	020-001
19	3	BOLT	AN4H-15A
	3	WASHER	NAS1149F0432P
20	1	SPACER	3A04093-001
21	1	NUT – AXLE	3A04268-003
22	1	COTTER PIN	MS24665-351
23	1	WHEEL HALF-INNER	015-002
	1	WHEEL HALF-OUTER	016-002
		<i>(HALVES NOT SOLD SEPERATELY)</i>	

SECTION 8: INSTALLATION – STRUTS, WIRE, SPREADER BARS, STEPS



INSTALLATION – STRUTS, WIRES AND SPREADER BARS MAULE
FIGURE 15

WIPLINE MODEL 2350 FLOAT PARTS MANUAL

FIGURE 15: INSTALL – STRUTS, WIRES, SPR. BARS- MAULE			
ITEM	QTY	PART DESCRIPTION	PART NO.
1	2	STRUT - FRONT	23A02000-221
2	2	STRUT – CENTER	23A02000-223
3	2	ASS'Y – STRUT – REAR	23A02000-166
	1	STRUT	23A02334-030
	4	BUSHING	21A02084-001
4	2	ASS'Y – DRAG WIRE – FWD	21A02000-137
	1	WIRE	AN705AC-5225
	1	CLEVIS L.	AN665-46LS *
	1	CLEVIS R.	AN665-46RS *
	1	CHECK NUT “L”	AN316-C5L
	1	CHECK NUT “R”	AN316-C5R
	2	PIN – CLEVIS	SP4ZF6
	2	PIN – COTTER	SP90E7
5	2	ASS'Y – DRAG WIRE – AFT	21A02000-138
	1	WIRE	AN705AC-4525
	1	CLEVIS L.	AN665-80LAS *
	1	CLEVIS R.	AN665-80RAS *
	1	CHECK NUT “L”	AN316-C6L
	1	CHECK NUT “R”	AN316-C6R
	2	PIN – CLEVIS	MS20392-5C21
	2	PIN – COTTER	MS24665-301
6	2	FITTING – LOWER FRONT STRUT	23A02060-005
7	1	FITTING – UPPER FRONT STRUT L.	23A02055-011
	1	FITTING – UPPER FRONT STRUT R.	23A02055-012
8	1	FITTING – LOWER AFT STRUT L.	23A02055-009
	1	FITTING – LOWER AFT STRUT R.	23A02055-010
9	1	ASS'Y – REAR FUSELAGE FITTING L.	30A02000-183
	1	PLATE - MAIN L.	30A02019-015
	1	PLATE – UPPER L.	30A02019-017
	1	PLATE – LOWER L.	30A02019-019
	1	SPACER	23A02020-003
	2	“U” BOLT	21A02456-001

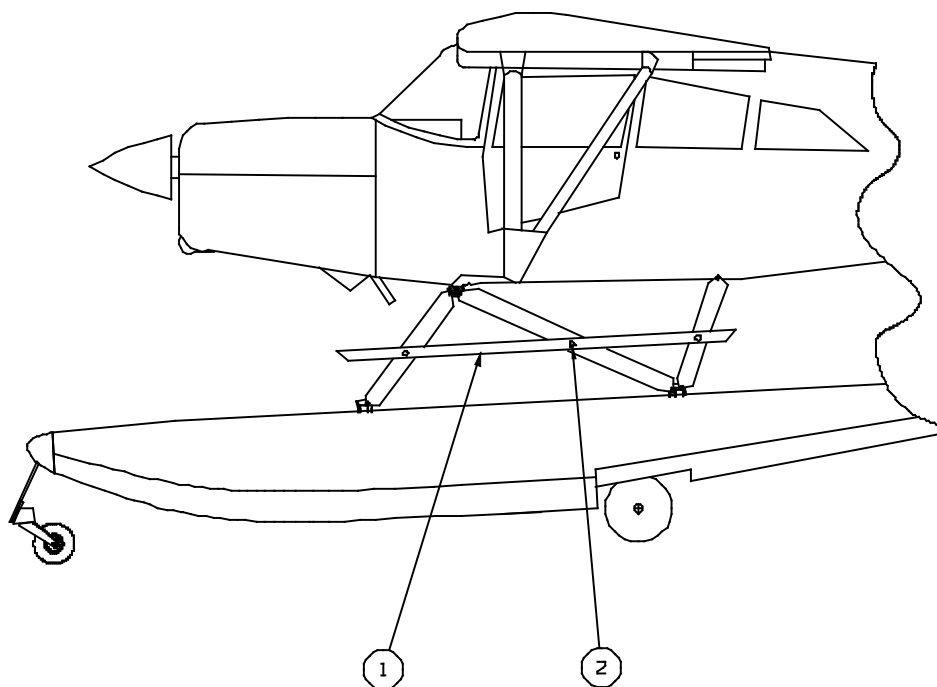
* “S” DENOTES STAINLESS STEEL

WIPLINE MODEL 2350 FLOAT PARTS MANUAL

ITEM	QTY	FIGURE 15: INSTALL – STRUTS, WIRES, SPR. BARS- MAULE PART DESCRIPTION	PART NO.
	2	SADDLE – “U” BOLT	21A02487-002
	4	WASHER	NAS1149D0463J
	4	NUT	MS21044N4
10	1	ASS'Y – REAR FUSELAGE FITTING R.	30A02000-184
	1	PLATE - MAIN R.	30A02019-014
	1	PLATE – UPPER R.	30A02019-016
	1	PLATE – LOWER R.	30A02019-018
	1	SPACER	23A02020-003
	2	“U” BOLT	21A02456-001
	2	SADDLE – “U” BOLT	21A02487-002
	4	WASHER	NAS1149D0463J
	4	NUT	MS21044N4
11	2	WIRE PULL - LOWER FWD.	21A02462-004
12	2	WIRE PULL - LOWER AFT.	21A02462-008
13	2	WIRE PULL - LOWER UPPER.	21A02462-009
14	4	BLOCK – DECK FITTING	21A03032-006
15	4	SPACER	21A03214-003
16	4	SPACER – BEARING	21A03154-007
17	4	BOLT	AN6-42A
18	2	CLAMP – REAR FITTING	30A02195-007
	2	BOLT – ATTACH	AN4-20A
	2	WASHER	NAS1149D0463J
	2	NUT	MS21044N4
19	2	BOLT	AN6-36A
20	12	BOLT	AN6-17A
21	2	BOLT	AN6-41A
22	4	BOLT	AN6-30A

WIPLINE MODEL 2350 FLOAT PARTS MANUAL

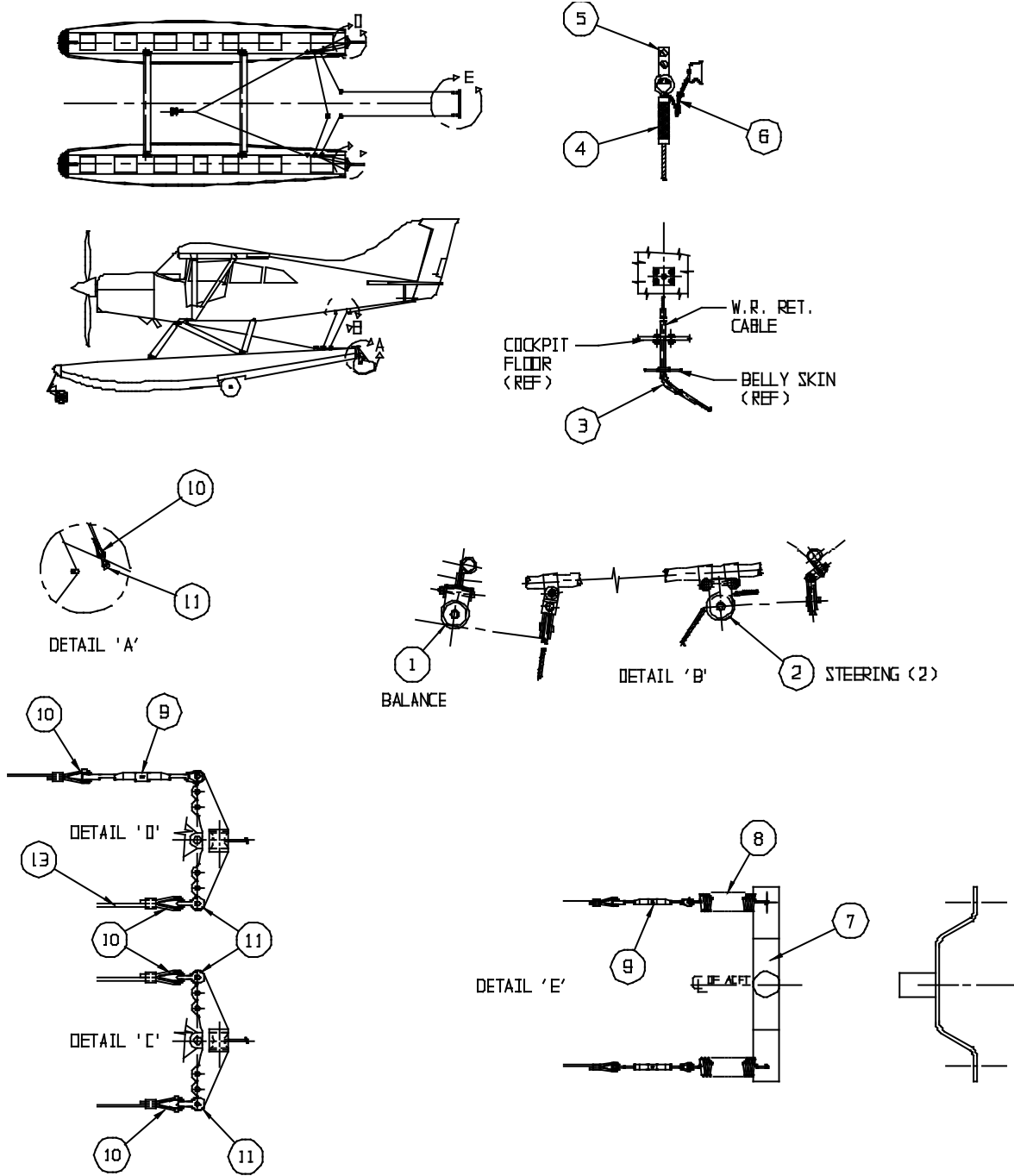
FIGURE 15: INSTALL – STRUTS, WIRES, SPR. BARS- MAULE			
ITEM	QTY	PART DESCRIPTION	PART NO.
23	8	BOLT	AN5-23A
24	A/R	WASHER (ITEM 17,19,20,21, & 22)	NAS1149D0663J
25	24	NUT (ITEM 17,19,20,21, & 22)	MS21044N6
26	A/R	WASHER (ITEM 33)	NAS149D0563J
27	8	NUT (ITEM 33)	MS21044N5



INSTALLATION FUSELAGE STEPS MAULE
FIGURE 16

ITEM	QTY	FIGURE 16: INSTALL – FUSELAGE STEPS - MAULE PART DESCRIPTION	PART NO.
1	1	STEP – RIGHT	23A02369-036
	1	STEP – LEFT	23A02369-037
	6	BOLT – ATTACH	AN3-17A
	12	WASHER	NAS1149D0363J
	6	NUT	MS21044N3
	6	HOLE PLUG 1 INCH	BPF
2	1	ASS'Y – VENTRAL FIN	21A12000-042
	10	RIVNUTS	B8-75
	14	PLATENUT	MS21078-08
	24	SCREW – ATTACH	AN526-1032R8
	24	WASHER	NAS1149D0363J
	10	WASHER – LOCK	MS35333-39

SECTION 9: INSTALLATION – STEERING AND RETRACT SYSTEM



INSTALLATION – STEERING AND RETRACT SYSTEM MAULE
FIGURE 17

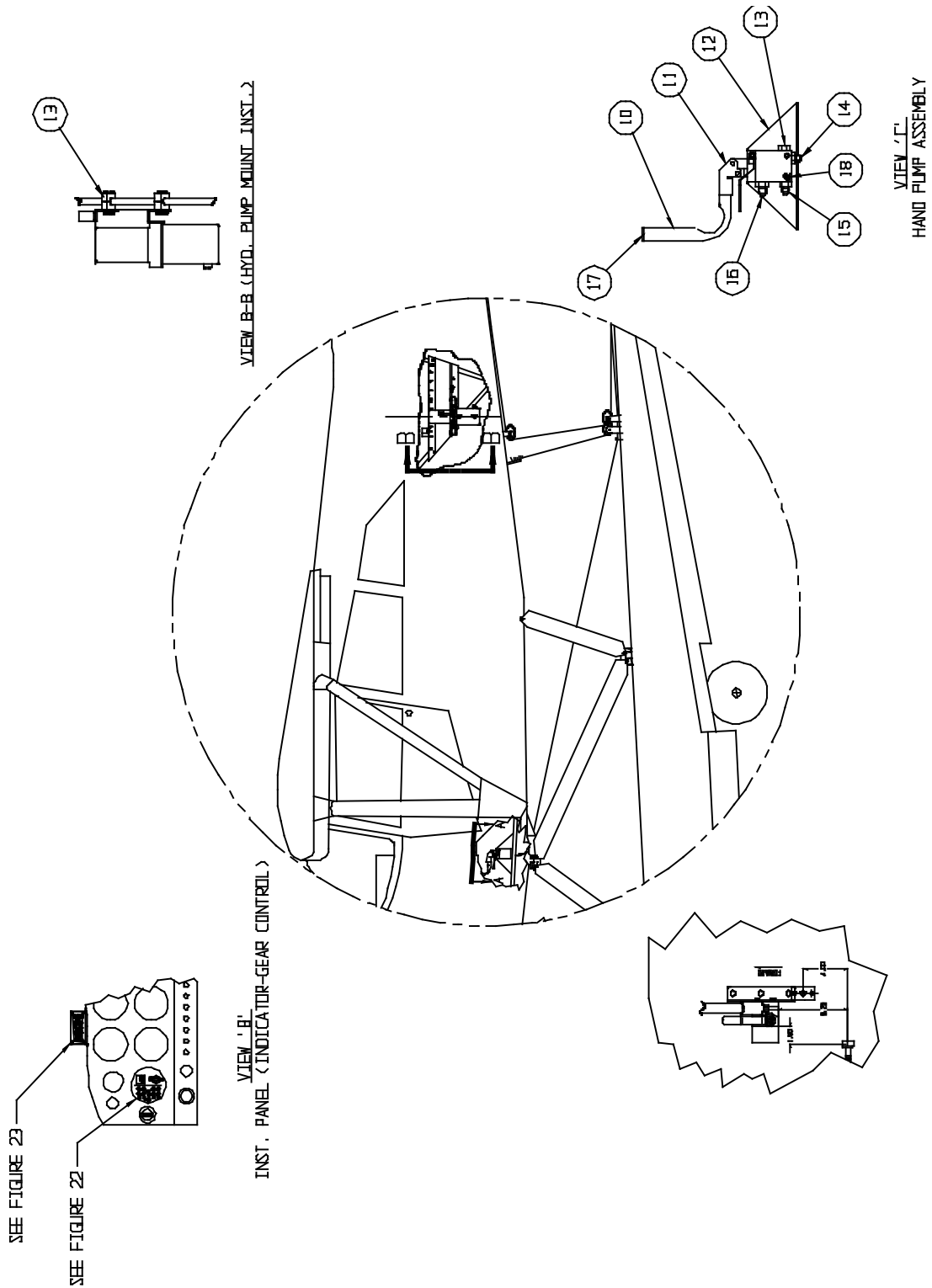
WIPLINE MODEL 2350 FLOAT PARTS MANUAL

ITEM	QTY	FIGURE 17: INSTALL – STEERING & RETRACT SYSTEM - MAULE PART DESCRIPTION	PART NO.
1	1	ASS'Y – RETRACT HANDLE	21A08000-128
	4	SCREW - ATTACH	AN526-1032R8
	4	WASHER	NAS1149D0363J
	4	NUT	MS21044N3
2	1	PULLEY BRACKET	3A08151-046
	4	SCREW – ATTACH	AN526-1032R8
	4	WASHER	NAS1149D0316J
	4	NUT	MS21044N3
3	1	PULLEY	21A08000-129
	1	BOLT	AN4-7A
	2	WASHER	NAS1149D0463J
	1	NUT	MS21044N4
4	3	ASS'Y – PULLEY BRACKET	21A08000-128
	1	BRACKET	21A08008-150
	1	SPACER - BLOCK	21A08230-002
	1	PULLEY	MS20219-2
	1	BOLT	AN4-7A
	1	WASHER	NAS1149D0363J
	1	NUT	MS21044N3
5	6	EYE BOLT	AN42B4A
	6	WASHER	NAS1149D0363J
	6	NUT	MS21044N3
6	3	BOLT	AN3-17A
	3	WASHER	NAS1149D0363J
	3	NUT	MS21044N3
7	1	EXTENSION – RUDDER HORN	21A08359-201
	2	BOLT – ATTACH	AN3-6A
	2	WASHER	NAS1149D0363J
	2	NUT	MS21044N3

WIPLINE MODEL 2350 FLOAT PARTS MANUAL

FIGURE 17: INSTALL – STEERING & RETRACT SYSTEM - MAULE			
ITEM	QTY	PART DESCRIPTION	PART NO.
8	2	SPRING	21A08525-005
9	3	TURNBUCKLE – BARREL	MS21251B3S
	3	FORK – TERMINAL	MS21252-3RS
	3	PIN ATTACH	MS20392-2-1
	3	PIN – COTTER	MS24665-132
	3	WASHER	NAS1149D0316J
10	10	THIMBLE – CABLE	AN100-3
	10	NICOPRESS – CLAMP	MS51844-43
11	5	SHACKLE	MS20115-3
	5	PIN – ATTACH	MS20392-2-11
	5	PIN – COTTER	MS24665-132
12	A/R	CABLE 3/32 X 7	RM690
13	1	BARREL	MS21251B3S
	1	FORK	MS21252-3RS
14	2	SHACKLE	MS20115-3
	1	PIN – CLEVIS	MS20392-2-19

SECTION 10 – INSTALLATION – HYDRAULIC SYSTEM



INSTALLATION – HYDRAULIC SYSTEM MAULE
FIGURE 18

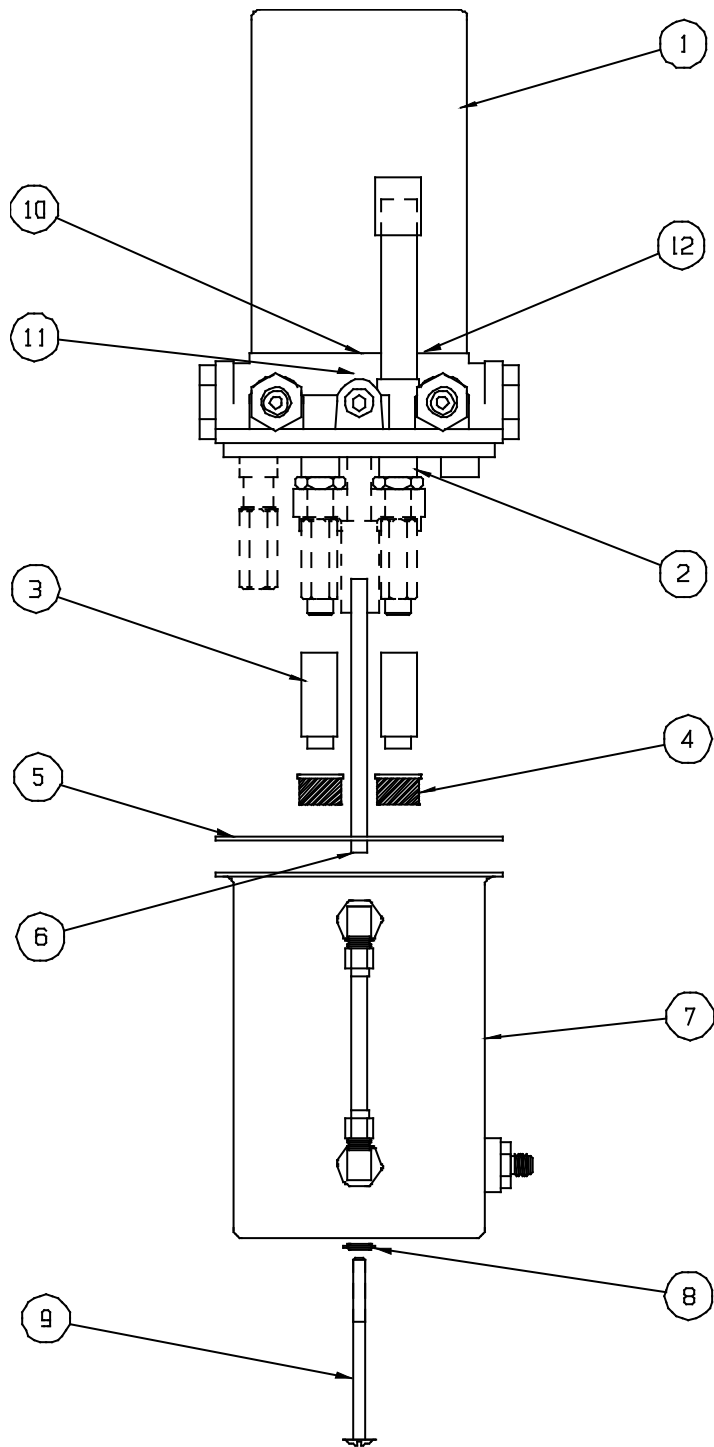
WIPLINE MODEL 2350 FLOAT PARTS MANUAL

FIGURE 18: INSTALL – HYDRAULIC SYSTEM - MAULE			
ITEM	QTY	PART DESCRIPTION	PART NO.
1	1	ASS'Y - HAND PUMP 12V	21A09000-239
	1	ASS'Y – HAND PUMP 24V	21A09000-261
		SEE FIGURE XX (BREAK DOWN)	
2	1	ASS'Y – MANIFOLD	21A09000-225
	1	MANIFOLD	6A09046-001
	8	NIPPLE – FITTING	AN816-4-4D
	2	BOLT - ATTACH	AN3-5A
	2	WASHER	NAS1149F0363P
	2	NUT	MS21044N3
3	3	UNION - FIREWALL	AN832-4D
	3	WASHER	NAS1149F0763P
	3	NUT	AN924-4D
4	2	BOLT - TOP BRACKET ATTACH	AN3-4A
	4	WASHER	NAS1149D0363J
5	1	ANGLE – LOWER PUMP ATTACH	21A09348-020
	4	BOLT	AN3-4A
	4	WASHER	NAS1149D0363J
	4	NUT	MS21044N3
6	1	ASS'Y – HAND PUMP	21A09000-194
7	1	ASS'Y – PLACARD	10B3-6283-1
8	3	BOLT – ATTACH	AN3-4A
	3	WASHER	AN970-3
	3	WASHER	NAS1149D0363J
	3	NUT	MS21044N3
9	1	GROMMET	MS35489-49
10	1	HANDLE	21A09396-001

WIPLINE MODEL 2350 FLOAT PARTS MANUAL

ITEM	QTY	FIGURE 18: INSTALL – HYDRAULIC SYSTEM - MAULE PART DESCRIPTION	PART NO.
11	1	HAND PUMP (ONLY)	642873
12	1	BRACKET – PUMP ATTACH	21A09156-129
13	1	PLUG	AN814-4D
	1	“O” RING	MS28775-012
14	1	UNION	21A09746-001
	1	“O” RING	MS28775-012
15	1	UNION	AN815-4D
	1	“O” RING	MS28775-012
16	1	UNION	AN919-6D
	1	“O” RING	MS28775-014
17	1	CAP PLUG	9283K13
18	2	CAP SCREW – ATTACH	MS16997-77
	2	LOCK WASHER	MS35333-40
	2	WASHER	NAS1149F0563P
19	2	ASS’Y – BRAKE LINE (NOT SHOWN)	21A04000-080
	2	FITTING	63-190600-3

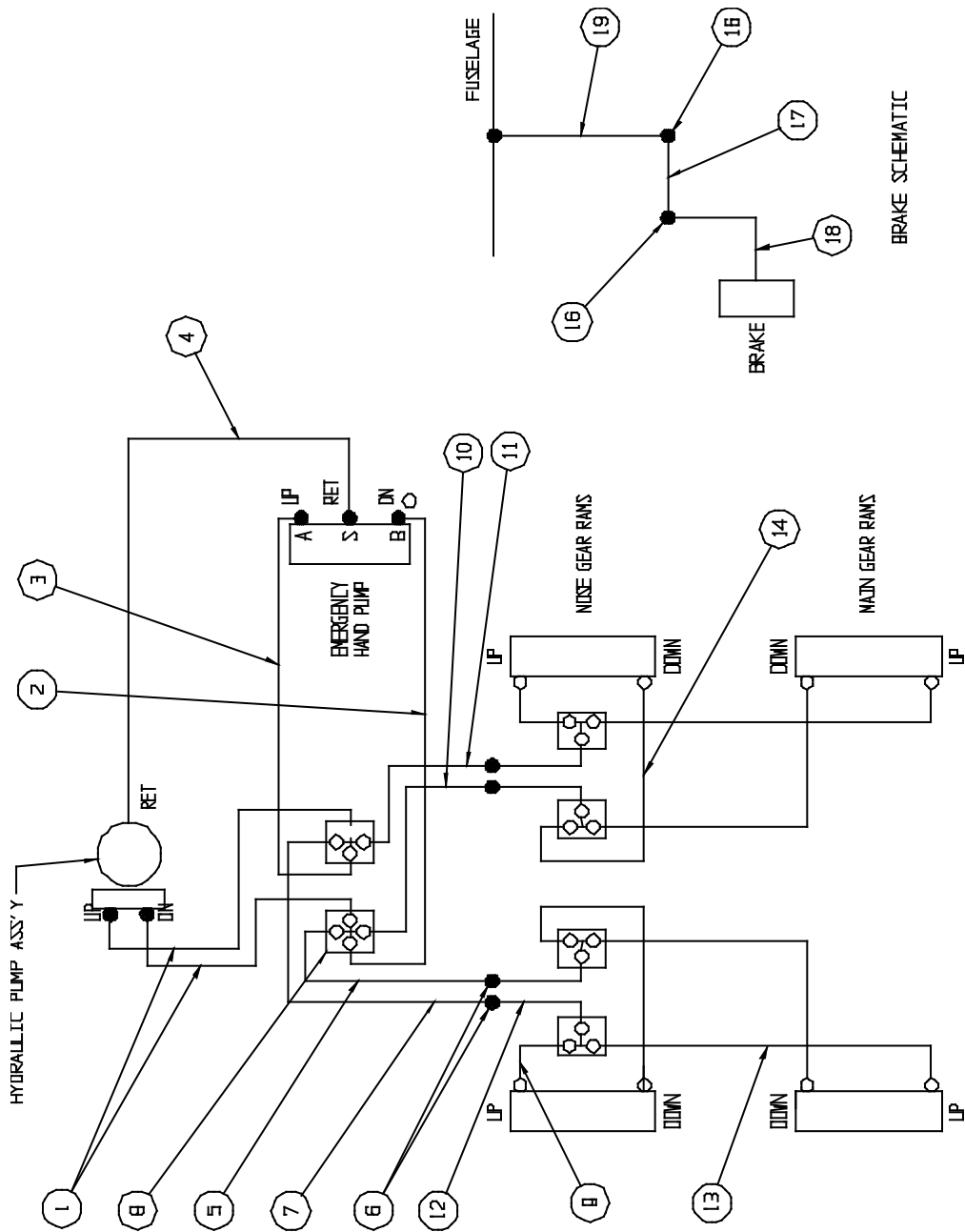
THIS PAGE INTENTIONALLY LEFT BLANK



ASSEMBLY – HYDRAULIC PUMP MAULE
FIGURE 19

WIPLINE MODEL 2350 FLOAT PARTS MANUAL

FIGURE 19: INSTALL – HYDRAULIC PUMP - MAULE			
ITEM	QTY	PART DESCRIPTION	PART NO.
1	1	HYDRAULIC PUMP ASS'Y (12V)	21A09000-215
		HYDRAULIC PUMP ASS'Y (24V)	21A09000-282
		MOTOR (12V)	640661
		MOTOR (24V)	641131
2	1	BASIC PUMP	634873
3	2	TUBE EXTENSIONS	362136
4	2	FILTER	410521
5	1	SEAL RESERVIOR	410578
6	1	RETURN TUBE	365047
7	1	RESERVIOR – GAUGE ASS'Y	775260
8	1	SEAL THREAD	359071
9	1	SCREW – RESERVIOR ATTACH	409715
10	1	COUPLING – MOTOR TO PUMP	361183
11	1	SEAL – PUMP SHAFT	410512
12	1	“O” RING MOTOR TO BASE	405673



HYDRAULIC SCHEMATIC
FIGURE 20

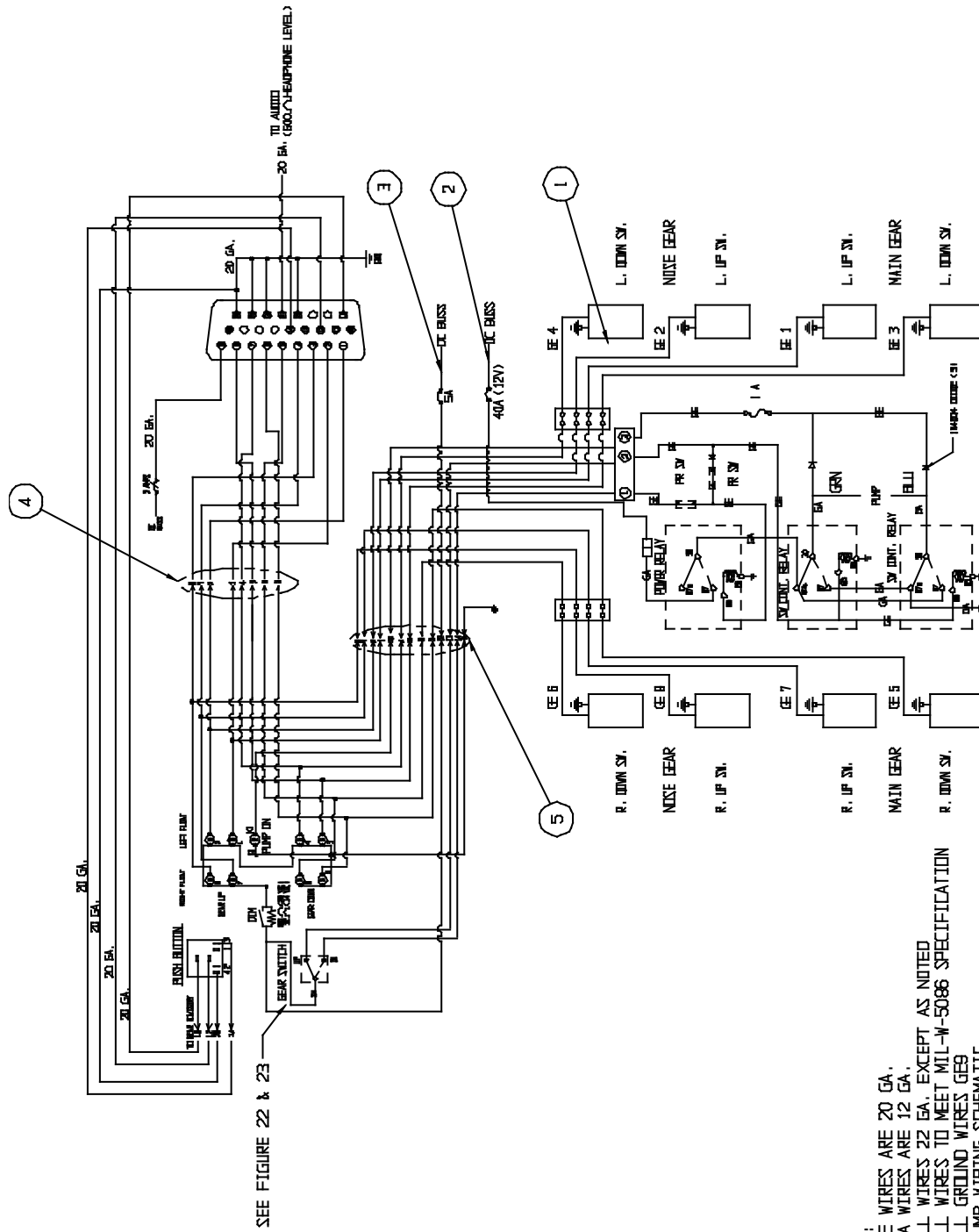
WIPLINE MODEL 2350 FLOAT PARTS MANUAL

ITEM	QTY	FIGURE 20: HYDRAULIC SCHEMATIC PART DESCRIPTION	PART NO.
1	2	ASS'Y – HYDRAULIC HOSE	21A09000-204
2	1	ASS'Y – HYDRAULIC HOSE	21A09000-223
3	1	ASS'Y – HYDRAULIC HOSE	21A09000-207
4	1	ASS'Y – HYDRAULIC HOSE	21A09000-208
5	1	ASS'Y – HYDRAULIC HOSE	21A09000-263
6	2	FITTING – ELBOW	AN833-4D
	2	NUT	AN924-4D
	2	WASHER	NAS1149D0763J
7	2	ASS'Y – HYDRAULIC HOSE	21A09000-262
8	2	FITTING - QUAD	AN827-4D
9	2	ASS'Y – HYDRAULIC HOSE	21A09000-218
10	2	ASS'Y – HYDRAULIC HOSE	21A09000-262
11	2	ASS'Y – HYDRAULIC HOSE	21A09000-263
12	2	ASS'Y – HYDRAULIC HOSE	21A09000-222
13	2	ASS'Y – HYDRAULIC HOSE	21A09000-220
14	1	ASS'Y – HYD HOSE	21A09000-219
15		NOT USED	
16	2	FITTING – ELBOW	AN833-3D
	4	WASHER	NAS1149D0663J
	2	NUT	AN924-3D

WIPLINE MODEL 2350 FLOAT PARTS MANUAL

ITEM	QTY	FIGURE 20: HYDRAULIC SCHEMATIC PART DESCRIPTION	PART NO.
17	2	LINE ASS'Y – HARD	21A04000-079
18	2	LINE ASS'Y – FLEX	21A04000-078
19	2	ASS'Y HYD HOSE	21A09000-080
	2	FITTING - END	63-190600-3

SECTION 11: ELECTRICAL SCHEMATIC



NOTES:

1. 16 WIRES ARE 20 GA.
14 WIRES ARE 12 GA.
ALL WIRES 22 GA., EXCEPT AS NOTED
ALL WIRES TO MEET MIL-W-5086 SPECIFICATION
2. ALL GROUND WIRES GEB
3. PUMP WIRING SCHEMATIC
(RELAYS SHOWN IN RELAXED CONDITION)

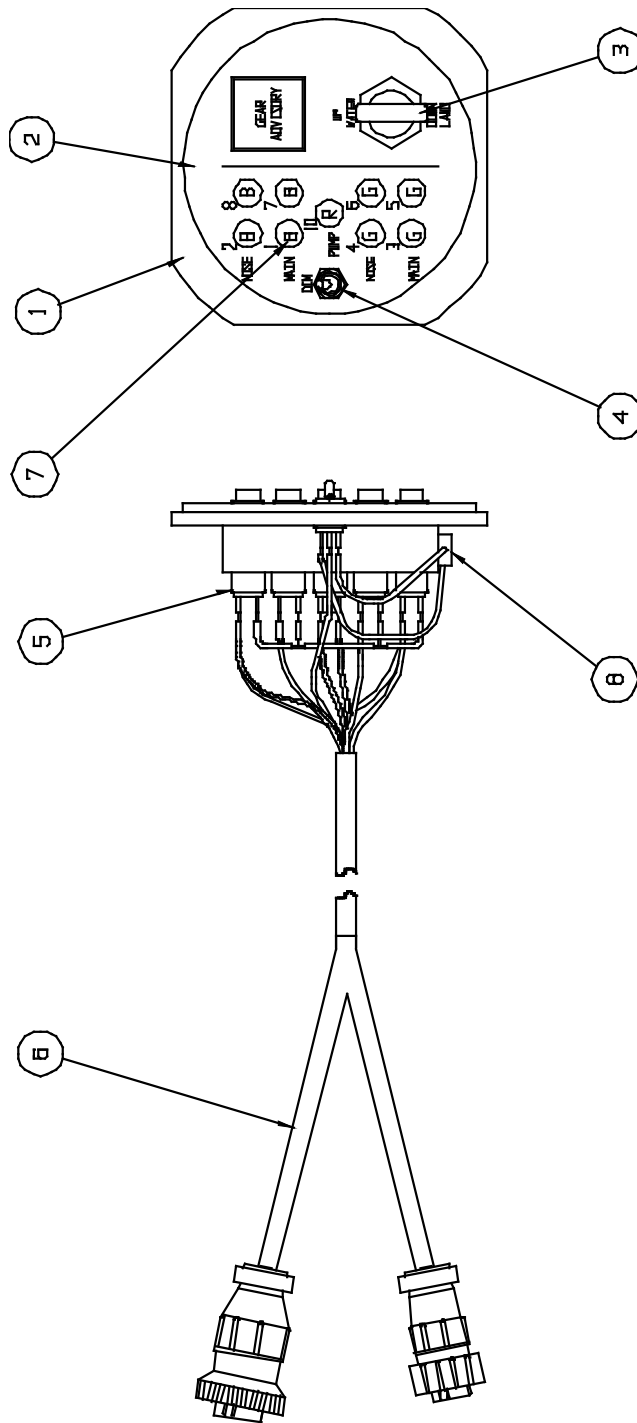
ELECTRICAL SCHEMATIC
FIGURE 21

WIPLINE MODEL 2350 FLOAT PARTS MANUAL

FIGURE 21: ELECTRICAL SCHEMATIC			
ITEM	QTY	PART DESCRIPTION	PART NO.
1	8	SWITCH – PROXIMITY - MAGNETIC	5801
	8	CLIP – SWITCH HOLDER	21A09005-262
2	1	CIRCUIT BREAKER	W23-X1A1G-40
3	1	CIRCUIT BREAKER	7277-2-5
4	1	WIRE HARNESS	4A11000-014
5	1	WIRE HARNESS	4A11000-011

THIS PAGE INTENTIONALLY LEFT BLANK

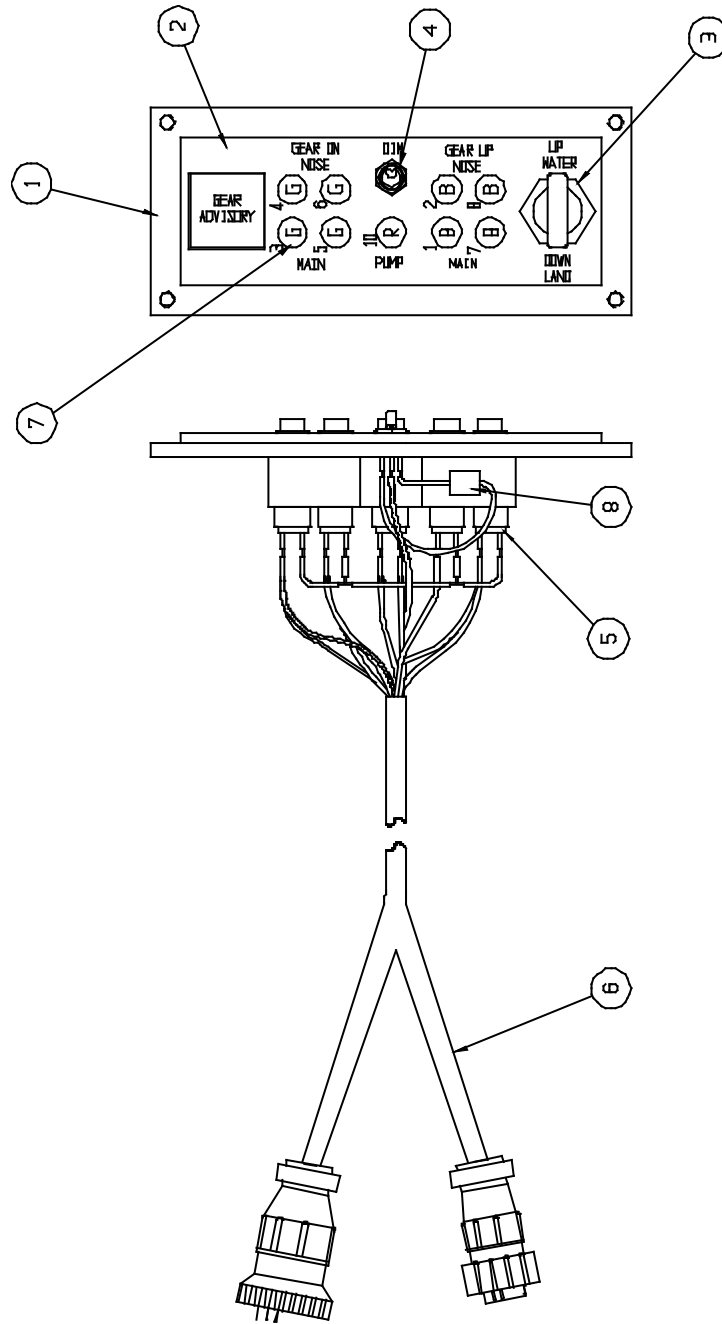
SECTION 12: GEAR CONTROL



GEAR CONTROL (ROUND)
FIGURE 22

WIPLINE MODEL 2350 FLOAT PARTS MANUAL

ITEM	QTY	FIGURE 22: GEAR CONTROL (ROUND) PART DESCRIPTION	PART NO.
1	1	BLOCK – INDICATOR (ROUND)	21A11179-001
	1	GEAR CONTROL ASS'Y	21A11000-009
2	1	PLACARD – FACE	10B3-6202
3	1	SWITCH – ASSEMBLY	8857K44
	1	KNOB – GEAR CONTROL	21A11259-003
4	1	SWITCH – DIMMER	A101SYCB
5	9	SOCKETS	515-0012
	3	SCREW – ATTACH	AN526-632R8
6	1	ASS'Y – WIRE HARNESS	4A11000-008
7	1	LIGHT – RED (12V)	5073914-1431-600
	4	LIGHT – BLUE (12V)	5073914-1434-600
	4	LIGHT – GREEN (12V)	5073914-1432-600
8	1	RESISTOR (12V)	RH-5-35



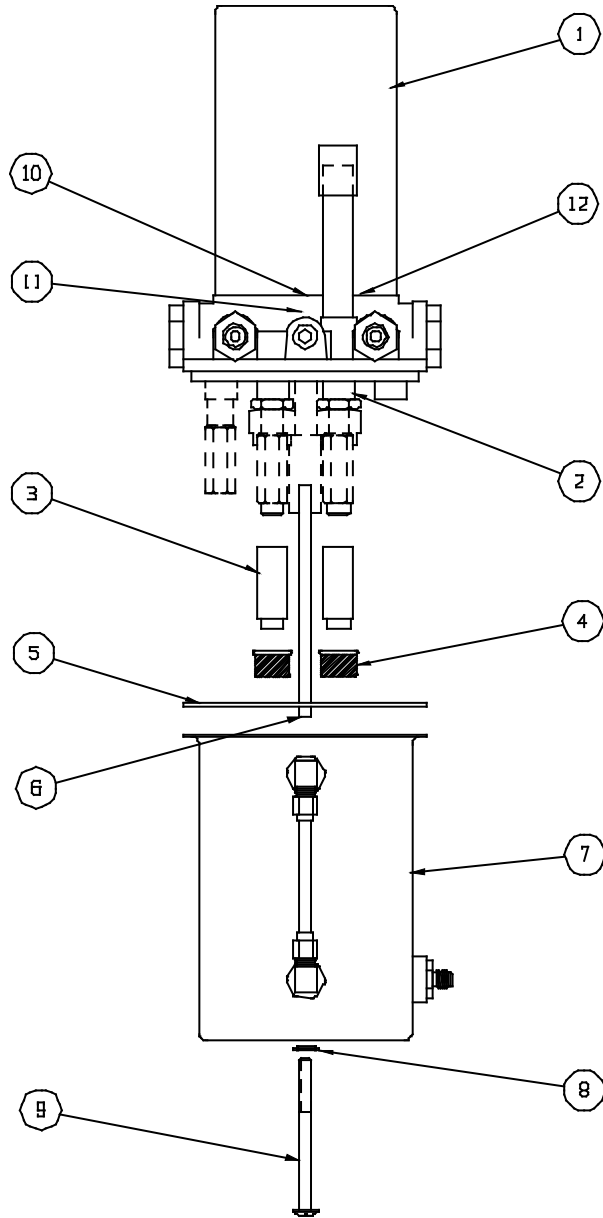
GEAR CONTROL (RECTANGLE)
FIGURE 23

WIPLINE MODEL 2350 FLOAT PARTS MANUAL

ITEM	QTY	FIGURE 23: GEAR CONTROL (RECTANGLE) PART DESCRIPTION	PART NO.
1	1	BLOCK – INDICATOR (RECTANGLE)	21A11179-002
	1	GEAR CONTROL ASS'Y	21A11000-010
2	1	PLACARD – FACE	10B3-6277
3	1	SWITCH – ASSEMBLY	8857K44
	1	KNOB – GEAR CONTROL	21A11259-003
4	1	SWITCH – DIMMER	A101SYCB
5	9	SOCKETS	515-0012
	3	SCREW – ATTACH	AN526-632R8
6	1	ASS'Y – WIRE HARNESS	4A11000-008
7	1	LIGHT – RED (12V)	5073914-1431-600
	4	LIGHT – BLUE (12V)	5073914-1434-600
	4	LIGHT – GREEN (12V)	5073914-1432-600
8	1	RESISTOR (12V)	RH-5-35

THIS PAGE INTENTIONALLY LEFT BLANK

SECTION 13: HYDRAULIC PUMP



HYDRAULIC PUMP
FIGURE 24

WIPLINE MODEL 2350 FLOAT PARTS MANUAL

FIGURE 24: HYDRAULIC PUMP			
ITEM	QTY	PART DESCRIPTION	PART NO.
1	1	HYDRAULIC PUMP ASS'Y (12V)	21A09000-215
		HYDRAULIC PUMP ASS'Y (24V)	21A09000-282
		MOTOR (12V)	410497
		MOTOR (24V)	411165
2	1	BASIC PUMP	634873
3	2	TUBE EXTENSIONS	362136
4	2	FILTER	410521
5	1	SEAL RESERVIOR	410578
6	1	RETURN TUBE	365047
7	1	RESERVIOR – GAUGE ASS'Y	775260
8	1	SEAL THREAD	359071
9	1	SCREW – RESERVIOR ATTACH	409715
10	1	COUPLING – MOTOR TO PUMP	361183
11	1	SEAL – PUMP SHAFT	410512
12	1	“O” RING MOTOR TO BASE	405673

SECTION 14: PLACARDS AND MISCELLANEOUS INFO

WIPATURE INSTALLATION DRAWINGS REV'D MODEL 2350 FLOATS

- 1001-6375 INSTL. 2350 FLOATS, WATER RUDDER STEERING - AMPHIB. - SEAPLANE
- 1001-6373 INSTL. HYD. SYSTEM AMPHIBIAN
- 10C1-602B INSTL. - WIRING SCHEMATIC
- STC SA380CH INSTL. GEAR ADVISORY (LAKE & AIR)
- 10C1-647D INSTL. STEPS

SEPARATE FLAP LOCATIONS:
 THREE-28 (3-28) NOTCH PAL.
 UNDER-4P (3-28) NOTCH PAL.

SEAPLANE (P/N 10A-07) (CHECK ADJURY TO AIRCRAFT INSTRUCTIONS)

MAULE PLACARD

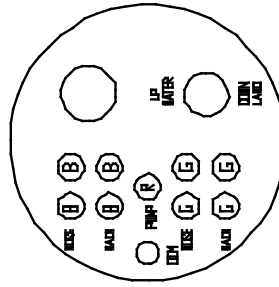
REFER TO WIPATURE FOR SUPPLEMENTARY
 OPERATION WITH WIPLINE FLOATS INSTALLED

P/N 10A3-6279 PLACARD

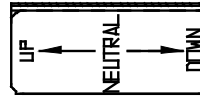
WATER RUDDER CONTROL

P/N 10A3-6278 PLACARD

P/N 10B3-6202 PLACARD
 ALTERNATE 10B3-6277 PLACARD



<u>WEIGHT AND BALANCE 2350 AMPHIBIAN</u>			
ITEM	WEIGHT	ARM	MOMENT
FLOAT INSTALLATION (NOT INCLUDING BELOW ITEMS)	402.50	10.22	4117
VENTRAL FIN	5.00	175.0	875
CANOE PADDE	2.00	30.0	60
LEFT STEP	3.00	30.0	90
RIGHT STEP	3.00	30.0	90
<u>WEIGHT AND BALANCE 2350 SEAPLANE</u>			
ITEM	WEIGHT	ARM	MOMENT
FLOAT INSTALLATION (NOT INCLUDING BELOW ITEMS)	282.0	11.00	3112
VENTRAL FIN	5.00	175.0	875
CANOE PADDE	2.00	30.0	60
LEFT STEP	3.00	30.0	90
RIGHT STEP	3.00	30.0	90
<u>REMOVE FLSELAGE ITEMS</u>			
ITEM	WEIGHT	ARM	MOMENT
1. MAIN GEAR	76.00	-2.50	190
2. TAIL GEAR	12.00	185.00	2220



10B2-6339-2

EMERGENCY HANDLING
 PULL GEAR MOTOR CIRCUIT BREAKER
 SELECT DESIRED GEAR POSITION
 PUMP GEAR TO DESIRED POSITION

10B3-6283-1

WATER RUDDER UP
 FOR ALL FLIGHT OPERATIONS

P/N 6B3-2243-2 PLACARD

DO NOT LAND ON WATER UNLESS
 GEAR IS FULLY RETRACTED

P/N 6B3-2243-3 PLACARD

PLACARDS AND MISC. DATA – MAULE MX-7-180 SERIES
 FIGURE 25

PARTS MANUAL
FOR
MODEL 2350 WIPLINE FLOATS
MAULE MX-7-180
ITEM NUMBER: 1002169



1700 Henry Ave. – Fleming Field
South St. Paul, MN 55075 USA
Phone: (651) 451-1205
Fax: (651) 451-1786
www.wipaire.com