



PARTS MANUAL
FOR
WIPLINE MODEL 6100
AMPHIBIAN & SEAPLANE FLOATS
PILATUS PC-6/B2-H4

THIS PAGE INTENTIONALLY LEFT BLANK

WIPLINE MODEL 6100 FLOAT PARTS MANUAL

TABLE OF CONTENTS

<u>SECTION</u>	<u>PAGE</u>
LOG OF REVISION	5
FLOAT PART SALES DEPT. OPERATIONS.....	6
SHIPPING SCHEDULE.....	6
PARTS ORDERING	6
DAMAGED GOODS	6
RETURNED PARTS.....	6
ORDER SHORTAGES	7
CREDIT POLICY.....	7
LIST OF ABBREVIATIONS	7
NEW CUSTOMER INFORMATION	8
SECTION 1: HULL ASSEMBLY	10
HULL ASSEMBLY - AMPHIBIAN	12
HULL ASSEMBLY - STRAIGHT	20
MISC. HULL PARTS - AMPHIBIAN.....	28
SECTION 2: MISCELLANEOUS HULL PARTS	31
MISC. HULL PARTS - STRAIGHT	32
SECTION 3: WHEEL WELL AREA.....	35
WHEEL WELL AREA	36
SECTION 4: STEP AREA.....	39
STEP AREA, STRAIGHT FLOAT.....	40
SECTION 5: HULL EXTRUSIONS.....	43
EXTRUSIONS HULL - AMPHIBIAN.....	44
EXTRUSIONS HULL STRAIGHT	46
SECTION 6: PUMPER TUBES.....	49
PUMPER TUBES – STRAIGHT AND AMPHIBIAN.....	50
SECTION 7: INSTALLATION – STRUTS AND STEPS	53
INSTALLATION, FWD, CENTER, AND AFT STRUT	54
SECTION 8: INSTALLATION – FUSELAGE REINFORCEMENT	59
INSTALLATION, FUSELAGE REINFORCEMENT, AFT.....	60
INSTALLATION, FUSELAGE REINFORCEMENT, FWD	61
SECTION 9: INSTALLATION – UPPER AND LOWER STEP.....	65
INSTALLATION, UPPER AND LOWER STEP.....	66
SECTION 10: INSTALLATION, MISC. FUSELAGE ITEMS	69
INSTALLATION, MISC FUSELAGE ITEMS	70
INSTALLATION, MISC FUSELAGE ITEMS (CONT.).....	71
INSTALLATION, ELEVATOR TENSION SPRING.....	73
SECTION 11: INSTALLATION AND ASSEMBLY – SPREADER BAR	75
INSTALLATION AND ASSEMBLY - SPREADER BAR, AFT	76
INSTALLATION AND ASSEMBLY - SPREADER BAR, FWD	78
SECTION 12: MAIN GEAR WHEEL ASSEMBLY	81
MCCAULEY MANUFACTURED MAIN GEAR WHEEL ASS'Y.....	82
CLEVELAND/PARKER MANUFACTURED MAIN GEAR WHEEL ASS'Y	86
SECTION 13: MAIN GEAR AXLE ASSEMBLY	89
MAIN GEAR AXLE ASS'Y.....	90

WIPLINE MODEL 6100 FLOAT PARTS MANUAL

SECTION 14: OLEO SHOCK STRUT ASSEMBLY	93
OLEO SHOCK STRUT ASS'Y (T-SEALS INSTALLED).....	94
OLEO SHOCK STRUT ASS'Y (O-RINGS INSTALLED)	96
SECTION 15: HYDRAULIC BRAKE SCHEMATIC	99
HYDRAULIC BRAKE SCHEMATIC	100
SECTION 16: MAIN GEAR SLIDE TUBE ASSEMBLY	103
MAIN GEAR SLIDE TUBE ASS'Y (O-RINGS INSTALLED).....	104
MAIN GEAR SLIDE TUBE ASS'Y (T-SEALS INSTALLED).....	108
SECTION 17: NOSE GEAR ASSEMBLY.....	113
NOSE GEAR RETRACTION ASS'Y. UPPER END (T-SEALS INSTALLED).....	118
NOSE BOX ASSEMBLY (WITHOUT ACTUATOR).....	122
NOSE GEAR RETRACTION ASS'Y., UPR. END (O-RINGS INSTALLED)	124
SECTION 18: INSTALLATION - WATER RUDDER	129
WATER RUDDER BLADE INSTALLATION	130
WATER RUDDER AND RETRACT SCHEMATIC.....	134
SECTION 19: HYDRAULIC SYSTEM	137
HYD. SYSTEM SCHEMATIC – AMPHIBIAN	138
ASSEMBLY, HYD. PUMP.....	140
HYDRAULIC PUMP, REVERSIBLE, 24VDC	144
SECTION 20: ELECTRICAL SCHEMATIC.....	147
ELECTRIC SCHEMATIC – AMPHIBIAN.....	148

NOTE:

Any information not found in this manual for strut package parts and other aircraft installation items refer to the installation drawing package provided with the STC at the time of float installation. Additional drawing copies are available for purchase through the Wipaire Customer Service department.

WIPLINE MODEL 6100 FLOAT PARTS MANUAL

LOG OF REVISION

Revision	Pages Effected	Description	Date
A	ALL	INITIAL RELEASE	8/11/2012
B	ALL	REFORMAT DOCUMENT, UPDATE PART NUMBERS AND FIGURES THROUGHOUT.	6/12/2014
C	3, 4, 144, 145	Removed Warranty Claim Form, Added Hyd. Pump BOM.	3/31/16

You may also look at the latest parts manual at www.wipaire.com.

WIPLINE MODEL 6100 FLOAT PARTS MANUAL

FLOAT PART SALES DEPT. OPERATIONS

Hours: 7:00 AM – 6:00 PM, Monday through Friday
Central U.S. Time
Phone: 651-306-0459
Fax: 651-306-0666

Email: customerservice@wipaire.com
Website: www.wipaire.com

SHIPPING SCHEDULE

Orders for standard in-stock parts ship by the end of the next business day. Urgent and AOG orders will be shipped the same day subject to parts availability and may be assessed an AOG fee for special priority handling.

Partial orders will be shipped unless the customer requests that the order only be shipped complete.

Backordered items will be shipped the same day in which they become available.

As we are primarily a manufacturer, our stocks can be rapidly depleted by production requirements. Therefore, prices and availability are subject to change at any time. It is our intent to provide courteous and prompt service of your needs. Please let us know of any problems or concerns so that changes in these procedures can be a benefit for all.

PARTS ORDERING

Purchase orders should include

1. P.O. Number
2. Name of person placing order
3. Invoicing information:
 - I. Customer name – company or individual
 - i. Address
 - ii. Phone and fax number
4. Shipping information:
 - I. Address (if different from invoice address)
 - II. Method of shipment/preferred carrier
5. Aircraft model, float model and serial numbers
6. Wipaire part number; name; type, e.g. left or right; quantity
7. Payment method: VIS A, MasterCard, COD (U.S. customers only). Pre-payment by check or wire transfer, open account (see credit policy section).

DAMAGED GOODS

Inspect all parts upon receipt. Damages to parts in transit must be filed as a claim against the carrier.

RETURNED PARTS

Written explanation of reason for return must accompany parts, including invoice number of original shipment. Shipping charges on returned parts must be prepaid or the shipment will be refused.

WIPLINE MODEL 6100 FLOAT PARTS MANUAL

ORDER SHORTAGES

Check shipment against delivery slip immediately. All claims for any shortages should be made within three (3) days after order receipt.

CREDIT POLICY

Parts will be shipped on open account, net 30 days, to Wipaire-approved credit customers only. A balance due over 60 days will result in no shipments. Wipaire, Inc reserves the right to send any order C.O.D.

LIST OF ABBREVIATIONS

All references in this manual to LEFT and RIGHT are from the perspective of the pilot's seat with the floats fully installed and ready for floatplane operation. The following is a list of abbreviations that may appear in the description nomenclature fields of this manual:

AB	AFTERBODY	INBD.	INBOARD
AMPHIB.	AMPHIBIOUS	LG.	LARGE.
AR	AS REQUIRED	LT.	LEFT
ASS'Y.	ASSEMBLY	LWR.	LOWER
BRKT.	BRACKET	OPT.	OPTIONAL
BTM.	BOTTOM	OTBD.	OUTBOARD
BULK.	BULKHEAD	REINF.	REINFORCEMENT
CTR.	CENTER	RR.	REAR
CYL.	CYLINDER	RT.	RIGHT
FT.	FRONT	SM.	SMALL
FTG.	FITTING	SN	SERIAL NUMBER
FUS.	FUSELAGE	SPR.	SPREADER
FWD.	FORWARD	UPR.	UPPER
HORIZ.	HORIZONTAL	VERT.	VERTICAL
HYD.	HYDRAULIC	W.W.	WHEEL WELL

WIPLINE MODEL 6100 FLOAT PARTS MANUAL



NEW CUSTOMER INFORMATION

Customer Name	
Billing Address	
Shipping Address	
Phone Number	Fax Number
Purchasing Contact	Phone Number
E-Mail	Fax Number
Accounts Payable Contact	Phone Number
E-Mail	Fax Number
Type(s) of Aircraft Owned or Maintained	
Model(s) of Floats and Skis Owned or Maintained	
FedEx and/or UPS account number (if applicable)	

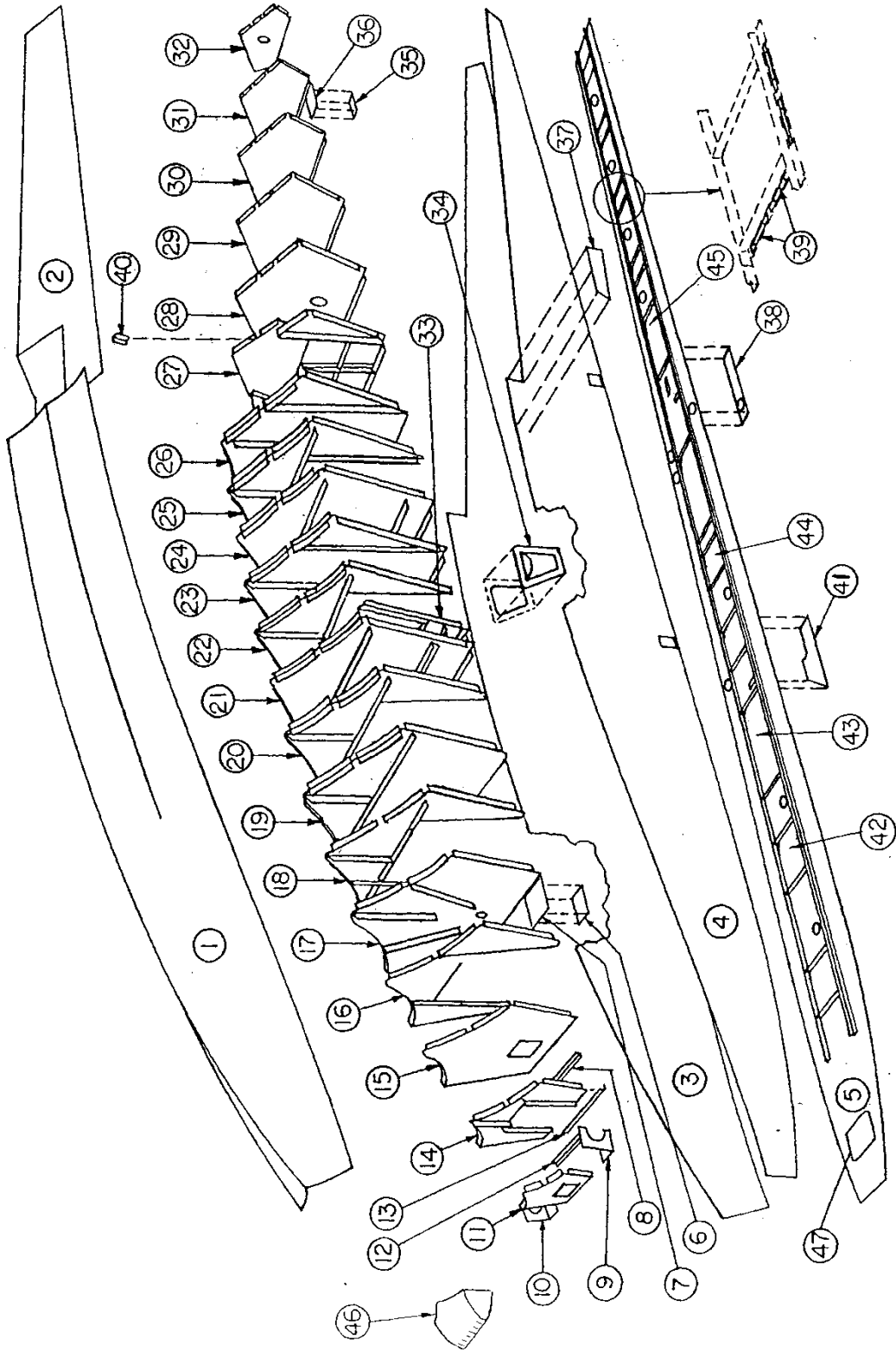
Please return to Wipaire Customer Service:

Fax 651-306-0666 Phone 651-306-0459 CustomerService@wipaire.com

THIS PAGE INTENTIONALLY LEFT BLANK

SECTION 1: HULL ASSEMBLY

THIS PAGE INTENTIONALLY LEFT BLANK



HULL ASSEMBLY - AMPHIBIAN

FIGURE 1

WIPLINE MODEL 6100 FLOAT PARTS MANUAL

ITEM	QTY	FIGURE 1: HULL ASS'Y - AMPHIBIAN PART DESCRIPTION	PART NO.
1	1	SKIN, BTM., RT. FWD.	6A01151-052
	1	SKIN, BTM., LT. FWD.	6A01151-051
2	1	SKIN, AB RT.	6A01158-134
	1	SKIN, AB LT.	6A01158-135
3	1	SKIN, SIDE, OTBD., RT. FLOAT FWD.	6A01158-032
	1	SKIN, SIDE, OTBD., LT. FLOAT FWD.	6A01158-033
4	1	SKIN, SIDE, INBD., RT. FLOAT FWD.	6A01158-030
	1	SKIN, SIDE, INBD., LT. FLOAT FWD.	6A01158-031
5	1	SKIN, TOP RT. FLOAT	6A01158-036
	1	SKIN, TOP LT. FLOAT	6A01158-037
	1	ANGLE, TOP SKIN, LONG RT.	6A01348-002
	1	ANGLE, TOP SKIN, LONG LT.	6A01348-001
	2	ANGLE, SHORT BAGGAGE COMPARTMENT	6A01352-006
	2	ANGLE, SHORT INSPECTION COVERS	6A01352-005
6	1	SPACER, CLEAT ATTACH	6A01156-015
7	1	PLATE, CLEAT ATTACH	6A01156-016
	2	CLEAT, TIE DOWN	6A01213-003
8	1	STIFFENER, TOP SKIN RR.	6A01339-032
9	2	GUSSET, NOSE BULK.	6A01156-019
10	2	GUSSET, NOSE BULK.	6A01156-020
11	1	ASS'Y., BULK. #1	6A01000-028
	2	ANGLE, KEEL ATTACH	6A01359-004
	11	NUT PLATE	MS21047L4
	1	BULK.	6A01156-009
12	1	STIFFENER, TOP SKIN FWD.	6A01339-030
13	1	STIFFENER, TOP SKIN, MIDDLE	6A01361-012
14	1	ASS'Y., BULK. #2	6A01000-029
	1	BULK. BTM.	6A01158-006
	1	BULK. SIDE, LT.	6A01005-033
	1	BULK. SIDE, RT.	6A01005-034
	1	ANGLE, KEEL ATTACH, LT.	6A01359-007
	1	ANGLE, KEEL ATTACH, RT.	6A01359-008

WIPLINE MODEL 6100 FLOAT PARTS MANUAL

ITEM	QTY	FIGURE 1: HULL ASS'Y - AMPHIBIAN PART DESCRIPTION	PART NO.
	2	ANGLE, SISTER KEEL, ATTACH	6A01359-009
15	1	ASS'Y., BULK. #3	6A01000-030
	1	BULK., BTM.	6A01158-007
	2	BULK., TOP	6A01005-035
	1	ANGLE, KEEL ATTACH, RT.	6A01359-010
	1	ANGLE, KEEL ATTACH, LT.	6A01359-011
	1	ANGLE, SISTER KEEL ATTACH, RT.	6A01359-012
	1	ANGLE, SISTER KEEL ATTACH, LT.	6A01359-013
	1	ANGLE, NOSE BOX ATTACH, RT.	6A01359-014
	1	ANGLE, NOSE BOX ATTACH, LT.	6A01359-015
	2	ANGLE, TOP RAIL ATTACH	6A01359-004
16	1	ASS'Y., BULK. #4	6A01000-031
	1	BULK., BTM.	6A01158-008
	1	BULK., SIDE, RT.	6A01005-036
	1	BULK., SIDE, LT.	6A01005-037
	1	ANGLE, KEEL ATTACH, RT.	6A01359-016
	1	ANGLE, KEEL ATTACH, LT.	6A01359-017
	1	ANGLE, SISTER KEEL ATTACH	6A01359-001
17	1	ASS'Y., BULK. #5	6A01000-032
	1	BULK., BTM.	6A01158-009
	1	BULK., TOP	6A01005-038
	1	ANGLE, KEEL ATTACH, RT.	6A01359-018
	1	ANGLE, KEEL ATTACH, LT.	6A01359-019
	1	ANGLE, SISTER KEEL ATTACH, RT.	6A01359-020
	1	ANGLE, SISTER KEEL ATTACH, LT.	6A01359-021
	1	ANGLE, TOP RAIL ATTACH	6A01359-004
18	1	ASS'Y., BULK. #6	6A01000-033
	1	BULK., BTM.	6A01158-010
	1	BULK., SIDE, RT.	6A01005-040
	1	ANGLE, KEEL ATTACH, LT.	6A01005-039
	1	ANGLE, KEEL ATTACH, RT.	6A01359-002
	1	ANGLE, KEEL ATTACH, LT.	6A01359-003
	1	ANGLE, SISTER KEEL ATTACH	6A01359-001
19	1	ASS'Y., BULK. #7	6A01000-034
	1	BULK., BTM. FWD.	6A01158-011
	1	BULK., BTM. AFT	6A01158-012
	1	BULK., SIDE, RT.	6A01005-042
	1	BULK., SIDE, LT.	6A01005-041
	1	ANGLE, KEEL ATTACH, RT.	6A01359-002
	1	ANGLE, KEEL ATTACH, LT.	6A01359-003

WIPLINE MODEL 6100 FLOAT PARTS MANUAL

ITEM	QTY	FIGURE 1: HULL ASS'Y - AMPHIBIAN PART DESCRIPTION	PART NO.
	2	ANGLE, SISTER KEEL ATTACH	6A01359-001
	1	ANGLE, VERT., LT.	6A01359-023
	1	ANGLE, VERT., RT.	6A01359-022
	2	ANGLE, TOP RAIL ATTACH	6A01359-004
	1	BULK., SIDE, RT.	6A01005-180
	1	ANGLE, VERT. BEND	6A01359-092
	2	ANGLE SUPPORT	6A01361-025
20	1	ASS'Y., BULK., #8	6A01000-035
	1	BULK., BTM. FWD.	6A01158-013
	1	BULK., BTM. RR.	6A01158-014
	1	BULK., SIDE, LT.	6A01005-043
	1	BULK., SIDE, RT.	6A01005-044
	1	ANGLE, KEEL ATTACH, RT.	6A01359-002
	1	ANGLE, KEEL ATTACH, LT.	6A01359-003
	2	ANGLE, SISTER KEEL ATTACH	6A01359-001
21	1	ASS'Y., BULK., #9 (RT. FLOAT)	6A01000-036
	1	ASS'Y., BULK., #9 (LT. FLOAT)	6A01000-037
	1	ANGLE, ATTACH, TOP (RT. FLOAT)	6A01156-054
	1	ANGLE, ATTACH, TOP (LT. FLOAT)	6A01156-055
	2	PLATE, SEAL SLOT	6A01150-119
	1	ANGLE, KEEL ATTACH, RT.	6A01359-024
	1	ANGLE, KEEL ATTACH, LT.	6A01359-025
	1	ANGLE, SISTER KEEL ATTACH, RT.	6A01359-026
	1	ANGLE, SISTER KEEL ATTACH, LT.	6A01359-027
	1	PANEL, SPR. BAR, LT. BULK.	6A01338-001
	1	PANEL, SPR. BAR, RT. BULK.	6A01338-002
	1	ANGLE, SIDE BULK., LT.	6A01357-001
	1	ANGLE, SIDE BULK., RT.	6A01357-002
	1	BULK. BTM., FWD.	6A01158-015
	1	BULK. BTM., RR.	6A01158-016
	1	BULK., TOP	6A01005-045
	1	ANGLE, PUMP MOUNT, RT. FLOAT ONLY	6A01357-020
	1	ANGLE, ATTACH	6A01359-004
22	1	ASS'Y., BULK., #10	6A01000-038
	2	BULK., BTM.	6A01158-017
	1	BULK., SIDE, RT.	6A01005-046
	1	BULK., SIDE, LT.	6A01005-047
	1	ANGLE, KEEL ATTACH, RT.	6A01359-002
	1	ANGLE, KEEL ATTACH, LT.	6A01359-003
23	1	ASS'Y., BULK., #11	6A01000-039
	2	BULK. BTM.	8A01158-128

WIPLINE MODEL 6100 FLOAT PARTS MANUAL

ITEM	QTY	FIGURE 1: HULL ASS'Y - AMPHIBIAN PART DESCRIPTION	PART NO.
	1	BULK. TOP	6A01005-048
	1	ANGLE, KEEL ATTACH, RT.	6A01359-024
	1	ANGLE, KEEL ATTACH, LT.	6A01359-025
	1	ANGLE, SISTER KEEL ATTACH, RT.	6A02359-032
	1	ANGLE, SISTER KEEL ATTACH, LT.	6A01359-033
	2	ANGLE, TOP RAIL ATTACH	6A01359-004
24	1	ASS'Y., BULK., #11A	6A01000-040
	2	BULK., BTM.	8A01158-128
	1	BULK., TOP	6A01005-217
	1	ANGLE, KEEL ATTACH, RT.	6A01359-024
	1	ANGLE, KEEL ATTACH, LT.	6A01359-025
	1	ANGLE, SISTER KEEL ATTACH, RT.	6A01359-032
	1	ANGLE, SISTER KEEL ATTACH, LT.	6A01359-033
	1	ANGLE, HORIZ. TUNNEL ATTACH	6A01359-034
	2	ANGLE, TOP RAIL ATTACH	6A01359-004
	1	RIVNUT	MS27130A7
25	1	ASS'Y., BULK., #11B	6A01000-041
	2	BULK., BTM.	8A01158-128
	1	BULK., SIDE, RT.	6A01005-050
	1	BULK., SIDE, LT.	6A01005-049
	1	ANGLE, KEEL ATTACH, RT.	6A01359-036
	1	ANGLE, KEEL ATTACH, LT.	6A01359-035
	1	ANGLE, HORIZ.	6A01359-037
26	1	ASS'Y., BULK., #12	6A01000-043
	1	BULK., BTM.	8A01158-128
	1	BULK., TOP	6A01005-218
	1	ANGLE, KEEL ATTACH, RT.	6A01359-024
	1	ANGLE, KEEL ATTACH, LT.	6A01359-025
	1	PANEL, ASS'Y., RT.	6A01000-062
	1	PANEL, ASS'Y., LT.	6A01000-063
	1	ANGLE, SISTER KEEL ATTACH, RT.	6A01359-040
	1	ANGLE, SISTER KEEL ATTACH, LT.	6A01359-041
	1	ANGLE, HORIZ. TOP	6A01359-038
	1	ANGLE, HORIZ. LWR.	6A01359-039
	2	ANGLE, TOP RAIL ATTACH	6A01359-004
	1	ANGLE, AFT, LT.	6A01008-005
	1	ANGLE, AFT, RT.	6A01008-056
27	1	ASS'Y., BULK., #13, LT.	6A01000-045
	1	ASS'Y., BULK., #13, RT.	6A01000-174
	1	BODY, BULK., RT.	6A01008-006
	1	BODY, BULK., LT.	6A01008-119

WIPLINE MODEL 6100 FLOAT PARTS MANUAL

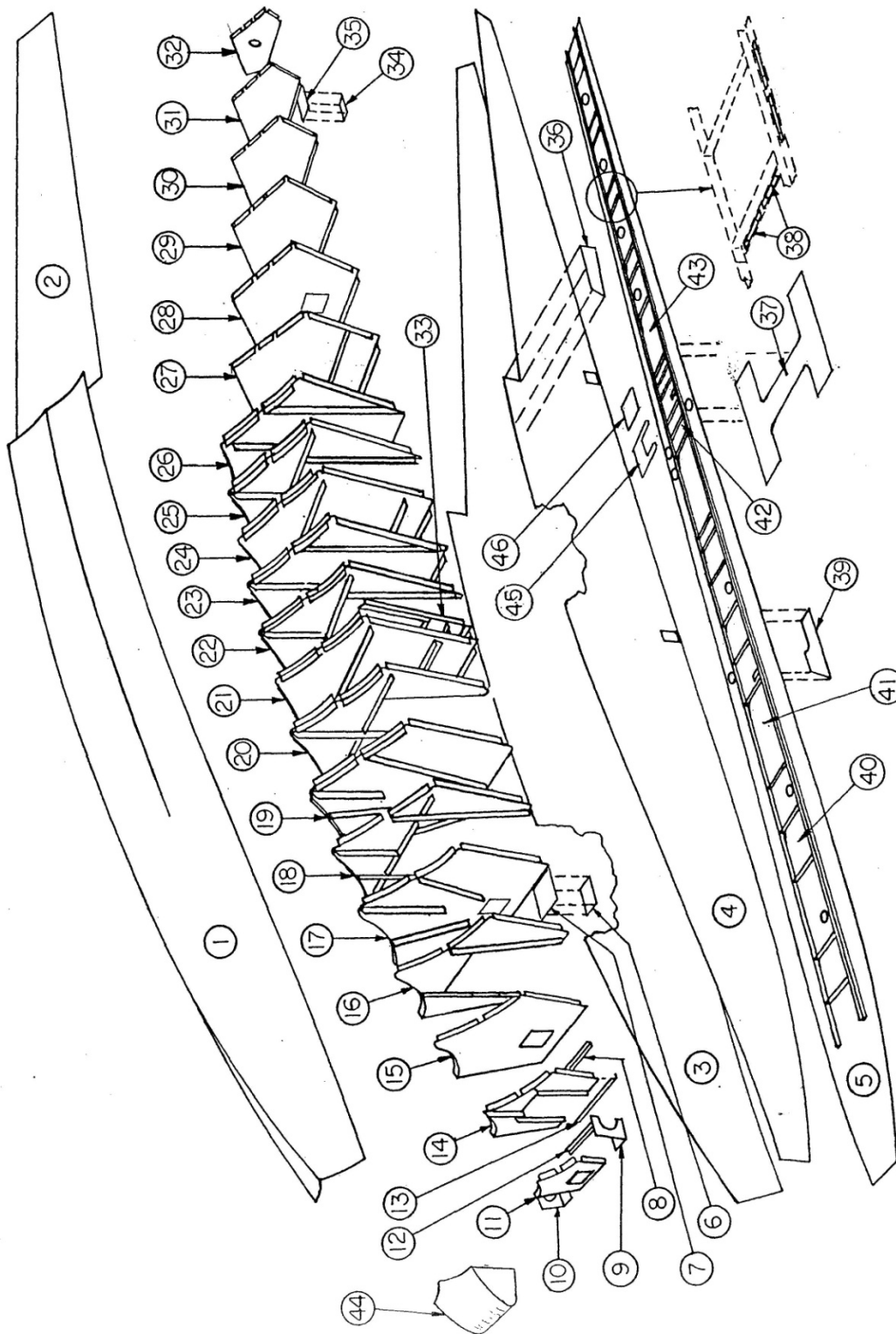
ITEM	QTY	FIGURE 1: HULL ASS'Y - AMPHIBIAN PART DESCRIPTION	PART NO.
	1	PANEL, BULK.	6A01002-031
	1	ANGLE, SLIDE TUBE ATTACH, RT.	6A01339-028
	1	ANGLE, SLIDE TUBE ATTACH, LT.	6A01339-029
	1	ANGLE, VERT., LT.	6A01359-087
	1	ANGLE, VERT., RT.	6A01359-088
	1	ANGLE, HORIZ., LONG	6A01359-042
	2	ANGLE, HORIZ., SHORT	6A01008-009
	2	ANGLE, RAIL ATTACH	6A01359-004
	1	ANGLE, SISTER KEEL, AB.	6A01361-003
	1	ANGLE, SISTER KEEL	6A01361-036
28	1	ASS'Y., BULK., #14	6A01000-047
	1	BODY, BULK.	6A01002-033
	6	ANGLE, RAIL ATTACH	6A01359-004
29	1	ASS'Y., BULK., #15	6A01000-048
	1	BODY, BULK.	6A01002-034
	6	ANGLE, RAIL ATTACH	6A01359-004
30	1	ASS'Y., BULK., #16	6A01000-049
	1	BODY, BULK.	6A01002-035
	6	ANGLE, RAIL ATTACH	6A01359-004
31	1	ASS'Y., BULK., #17	6A01000-050
	1	BODY, BULK.	6A01002-036
	6	ANGLE, RAIL ATTACH	6A01359-004
	2	DOUBLER CABLE	6A01156-070
32	1	ASS'Y., BULK., #18	6A01000-051
	1	BODY, BULK.	6A01002-037
	6	ANGLE, RAIL ATTACH	6A01359-004
	1	PIVOT, CASTING	3A01437-001
	1	ANGLE, TOP SKIN	6A01352-004
	1	ANGLE, REINFORCEMENT	6A01361-001
	1	ANGLE, REINFORCEMENT	6A01361-002
	1	ANGLE, REINFORCEMENT	6A01359-044
33	1	ASS'Y., FT., SPR. BAR PANEL, RT.	6A01000-052
	1	ASS'Y., FT., SPR. BAR PANEL, LT.	6A01000-053
	1	PANEL, FT. SPR. BAR, LT.	6A01338-003
	1	PANEL, FT. SPR. BAR, RT.	6A01338-004
	1	ANGLE, FT. SPR. BAR PANEL, LT.	6A01357-003
	1	ANGLE, FT. SPR. BAR PANEL, RT.	6A01357-004
34	1	ASS'Y., STEP BOARDING	3A01000-005

WIPLINE MODEL 6100 FLOAT PARTS MANUAL

ITEM	QTY	FIGURE 1: HULL ASS'Y - AMPHIBIAN PART DESCRIPTION	PART NO.
35	1	SPACER, CLEAT ATTACH	6A01156-015
36	1	PLATE, CLEAT ATTACH	6A01156-016
37	2	GUSSET, SIDE SKIN	6A01002-038
38	1	DOUBLER, TOP SKIN, RR.	6A01008-022
39	A/R	PLATENUT, TINNERMAN WITH TAPE	1002481
40	2	ANGLE, RR. SISTER KEEL ATTACH	6A01361-003
41	1	DOUBLER, TOP SKIN, FT.	6A01008-021
42	6	ASS'Y., INSPECTION COVER (10")	6A01000-456
	6	RUBBER GASKET	3A01567-008
43	1	ASS'Y., BAGGAGE COVER, METAL HINGE	6A01000-123
	1	ASS'Y., BAGGAGE COVER, PLASTIC HINGE (OLD STYLE)	6A01000-073
	1	HINGE, CONT. (SHEPARD CO. - PLASTIC) (OLD STYLE)	1 1/2" BLACK HINGE
	2	LATCH (SOUTHCO) (OLD STYLE)	6A01000-166
	2	SPRING LOCK	3A01525-003
	2	LOCK INSERT	3A01273-004
	2	LOCK CATCH	3A01702-004
	2	RING LOCK OPENING	1002663
	2	BLOCK RETAINER	3A01206-001
	1	SEAL	1085-1MDC
	18	POP RIVETS	1001571
44	1	ASS'Y., INSPECTION COVER (8.75")	6A01000-072
	1	RUBBER GASKET	6A01567-003
45	1	ASS'Y., INSPECTION COVER (17.5")	6A01000-071
	1	RUBBER GASKET	6A01567-004
46	1	NOSE BUMPER	6A01635-003
	2	ANGLE, NOSE BUMPER ATTACH	6A01359-051
47	1	INSPECTION COVER NOSE (MODEL 6100)	6A01163-042
	2	STIFFENER INSP. COVER	6A01156-014
	1	RUBBER GASKET	6A01567-005
48	2	SPLASH RAILS CHINE (NOT SHOWN)	6A01008-074

WIPLINE MODEL 6100 FLOAT PARTS MANUAL

ITEM	QTY	FIGURE 1: HULL ASS'Y - AMPHIBIAN PART DESCRIPTION	PART NO.
49	1	BAGGAGE FLOOR (AFT HALF) SOLID ALUM.LT.	6A01008-133
	1	BAGGAGE FLOOR (AFT HALF) SOLID ALUM RT.	6A01008-134
	1	BAGGAGE FLOOR (FWD. HALF) SOLID ALUM.	6A01008-139



HULL ASSEMBLY - STRAIGHT
FIGURE 2

WIPLINE MODEL 6100 FLOAT PARTS MANUAL

ITEM	QTY	FIGURE 2: HULL ASS'Y - STRAIGHT PART DESCRIPTION	PART NO.
1	1	SKIN, BTM., LT.HAND	6A01151-051
	1	SKIN, BTM., RT.HAND	6A01151-052
2	1	SKIN, AB RT. HAND	6S01158-132
	1	SKIN, AB LT.HAND	6S01158-133
3	1	SKIN, SIDE, OTBD, RT. FLOAT	6S01158-034
	1	SKIN, SIDE, OTBD, LT. FLOAT	6S01158-035
4	1	SKIN, SIDE, INBD., RT. FLOAT	6A01158-030
	1	SKIN, SIDE, INBD., LT. FLOAT	6A01158-031
	1	BRACKET, PADDLE STOP, RT.	6A01156-058
	1	BRACKET, PADDLE STOP, LT.	6A01156-059
	2	BRACKET	3A01158-093
	2	CLIP, PADDLE	3A01503-001
	2	PADDLE, 5 ½ FT.	0238-0068
5	1	SKIN, TOP, RT. FLOAT	6S01158-038
	1	SKIN, TOP, LT. FLOAT	6S01158-039
	1	ANGLE, TOP SKIN, LONG RT.	6A01348-002
	1	ANGLE, TOP SKIN, LONG LT.	6A01348-001
	2	ANGLE, SHORT BAGGAGE COMPARTMENT	6A01352-006
	2	ANGLE, SHORT INSPECTION COVERS	6A01352-005
6	1	SPACER, CLEAT ATTACH	6A01156-015
7	1	PLATE, CLEAT ATTACH	6A01156-016
	2	CLEAT, TIE DOWN	6A01213-003
8	1	STIFFENER, TOP SKIN, RR.	6A01339-032
9	2	GUSSET, NOSE BULK.	6A01156-019
10	2	GUSSET, NOSE BULK.	6A01156-020
11	1	ASS'Y., BULK., #1	6A01000-028
	2	ANGLE, KEEL ATTACH	6A01359-004
	1	COVER, NOSE BOX OPENING	6S01002-040
	1	BULK.	6A01156-009
	11	NUTPLATE, TWO LUG	MS21047L4
12	1	STIFFENER, TOP SKIN, FWD.	6A01339-030
13	1	STIFFENER, TOP SKIN, MIDDLE	6A01361-012

WIPLINE MODEL 6100 FLOAT PARTS MANUAL

ITEM	QTY	FIGURE 2: HULL ASS'Y - STRAIGHT PART DESCRIPTION	PART NO.
14	1	ASS'Y., BULK., #2	6A01000-029
	1	BULK. BTM.	6A01158-006
	1	BULK. SIDE, LT.	6A01005-033
	1	ANGLE, KEEL ATTACH, LT.	6A01359-007
	1	BULK. SIDE, RT.	6A01005-034
	1	ANGLE, KEEL ATTACH, RT.	6A01359-008
	2	ANGLE, SISTER KEEL, ATTACH	6A01359-009
15	1	ASS'Y., BULK., #3	6A01000-030
	1	BULK., BTM.	6A01158-007
	1	BULK., TOP	6A01005-035
	1	ANGLE, KEEL ATTACH, RT.	6A01359-010
	1	ANGLE, KEEL ATACH, LT.	6A01359-011
	1	ANGLE, SISTER KEEL ATTACH, RT.	6A01359-012
	1	ANGLE, SISTER KEEL ATTACH, LT.	6A01359-013
	1	ANGLE, NOSE BOX ATTACH, RT.	6A01359-014
	1	ANGLE, NOSE BOX ATTACH, LT.	6A01359-015
	2	ANGLE, TOP RAIL ATTACH,	6A01359-004
16	1	ASS'Y., BULK., #4	6A01000-031
	1	BULK., BTM.	6A01158-008
	1	BULK. SIDE, RT.	6A01005-036
	1	BULK. SIDE, LT.	6A01005-037
	1	ANGLE, KEEL ATTACH, RT.	6A01359-016
	1	ANGLE, KEEL ATTACH, LT.	6A01359-017
	2	ANGLE, SISTER KEEL ATTACH	6A01359-001
17	1	ASS'Y., BULK., #5	6A01000-032
	1	BULK., BTM.	6A01158-009
	1	BULK., TOP	6A01005-038
	1	ANGLE, KEEL ATTACH, RT.	6A01359-018
	1	ANGLE, KEEL ATTACH, LT.	6A01359-019
	1	ANGLE, SISTER KEEL ATTACH, RT.	6A01359-020
	1	ANGLE, SISTER KEEL ATTACH, LT.	6A01359-021
	2	ANGLE, TOP RAIL ATTACH	6A01359-004
18	1	ASS'Y., BULK., #6	6A01000-033
	1	BULK., BTM.	6A01158-010
	1	BULK. SIDE, RT.	6A01005-040
	1	BULK. SIDE, LT.	6A01005-039
	1	ANGLE, KEEL ATTACH, RT.	6A01359-002
	1	ANGLE, KEEL ATTACH, LT.	6A01359-003
	2	ANGLE, SISTER KEEL ATTACH	6A01359-001

WIPLINE MODEL 6100 FLOAT PARTS MANUAL

ITEM	QTY	FIGURE 2: HULL ASS'Y - STRAIGHT PART DESCRIPTION	PART NO.
19	1	ASS'Y., BULK., #7	6A01000-034
	1	BULK., BTM. FWD.	6A01158-011
	1	BULK., BTM. RR.	6A01158-012
	1	BULK., SIDE RT.	6A01005-042
	1	BULK., SIDE LT.	6A01005-041
	1	ANGLE, KEEL ATTACH, RT.	6A01359-002
	1	ANGLE, KEEL ATTACH, LT.	6A01359-003
	2	ANGLE, SISTER KEEL ATTACH	6A01359-001
	1	ANGLE, VERT., LT.	6A01359-023
	1	ANGLE, VERT., RT.	6A01359-022
	2	ANGLE, TOP RAIL ATTACH	6A01359-004
20	1	ASS'Y., BULK., #8	6A01000-035
	1	BULK., BTM. FWD.	6A01158-013
	1	BULK., BTM. RR.	6A01158-014
	1	BULK., SIDE, LT.	6A01005-043
	1	BULK., SIDE, RT.	6A01005-044
	1	ANGLE, KEEL ATTACH, RT.	6A01359-002
	1	ANGLE, KEEL ATTACH, LT.	6A01359-003
	2	ANGLE, SISTER KEEL ATTACH	6A01359-001
	1	ANGLE, TOP RAIL, LT.	6A01156-055
	1	ANGLE, TOP RAIL, RT.	6A01156-054
	2	PLATE, SEAL RAIL SLOT	6A01156-119
21	1	ASS'Y., BULK., #9 (RT. FLOAT)	6A01000-036
	1	ASS'Y., BULK., #9 (LT. FLOAT)	6A01000-037
	1	ANGLE, KEEL ATTACH, RT.	6A01359-024
	1	ANGLE, KEEL ATTACH, LT.	6A01359-025
	1	ANGLE, SISTER KEEL ATTACH, RT.	6A01359-026
	1	ANGLE, SISTER KEEL ATTACH, LT.	6A01359-027
	1	PANEL, SPR. BAR, LT. BULK. ONLY	6A01338-001
	1	PANEL, SPR. BAR, RT. BULK. ONLY	6A01338-002
	1	ANGLE, SIDE BULK., LT.	6A01357-001
	1	ANGLE, SIDE BULK., RT.	6A01357-002
	1	BULK. BTM., FWD.	6A01158-015
	1	BULK. BTM., RR.	6A01158-016
	1	BULK., TOP	6A01005-045
22	1	ASS'Y., BULK., #10	6A01000-038
	2	BULK. BTM.	6A01158-017
	1	BULK., SIDE, RT.	6A01005-046
	1	BULK., SIDE, LT.	6A01005-047

WIPLINE MODEL 6100 FLOAT PARTS MANUAL

ITEM	QTY	FIGURE 2: HULL ASS'Y - STRAIGHT PART DESCRIPTION	PART NO.
	1	ANGLE, KEEL ATTACH, RT.	6A01359-002
	1	ANGLE, KEEL ATTACH, LT.	6A01359-003
23	1	ASS'Y., BULK., #11	6A01000-039
	2	BULK. BTM.	8A01158-128
	1	BULK. TOP	6A01005-048
	1	ANGLE, KEEL ATTACH, RT.	6A01359-024
	1	ANGLE, KEEL ATTACH, LT.	6A01359-025
	1	ANGLE, SISTER KEEL ATTACH, RT.	6A01359-032
	1	ANGLE, SISTER KEEL ATTACH, LT.	6A01359-033
	2	ANGLE, TOP RAIL ATTACH	6A01359-004
24	1	ASS'Y., BULK. #11A	6A01000-040
	2	BULK., BTM.	8A01158-128
	1	BULK., TOP	6A01005-217
	1	ANGLE, KEEL ATTACH, RT.	6A01359-024
	1	ANGLE, KEEL ATTACH, LT.	6A01359-025
	1	ANGLE, SISTER KEEL ATTACH, RT.	6A01359-032
	1	ANGLE, SISTER KEEL ATTACH, LT.	6A01359-033
	2	ANGLE, TOP RAIL ATTACH	6A01359-004
	1	ANGLE, HORIZ. TUNNEL ATTACH	6A01359-034
25	1	ASS'Y., BULK., #11B	6S01000-042
	1	BULK., BTM AFT.	6S01158-112
	1	BULK., SIDE, RT.	6A01005-050
	1	BULK., SIDE, LT.	6A01005-049
	1	ANGLE, KEEL ATTACH, RT.	6A01359-036
	1	ANGLE, KEEL ATTACH, LT.	6A01359-035
	1	ANGLE, HORIZ.	6A01359-037
	1	BULKHEAD, BOTTOM, FWD	6S01158-111
26	1	ASS'Y., BULK., #12	6S01000-044
	1	BULK., BTM. FWD	6S01158-115
	1	BULK, BTM, AFT	6S01158-116
	1	BULK., TOP	6S01005-219
	1	ANGLE, KEEL ATTACH, RT.	6S01008-020
	1	ANGLE, KEEL ATTACH, LT.	6S01008-019
	1	ANGLE, VERT. INBD., LT.	6A01427-001
	1	ANGLE, VERT. INBD., RT.	6A01427-002
	1	ANGLE, SISTER KEEL ATTACH, RT.	6A01359-040
	1	ANGLE, SISTER KEEL ATTACH, LT.	6A01359-041
	1	ANGLE, HORIZ. TOP	6S01359-086

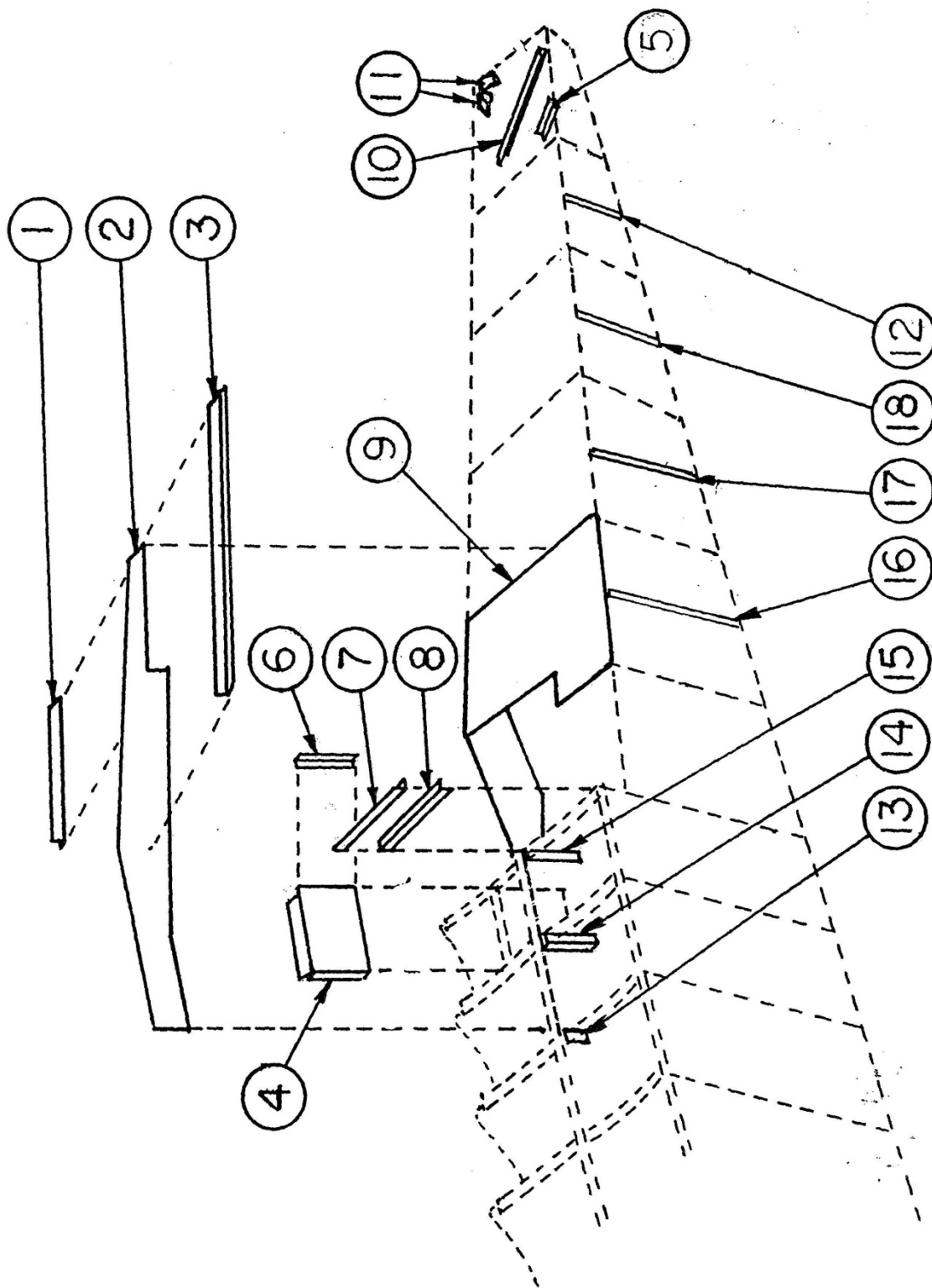
WIPLINE MODEL 6100 FLOAT PARTS MANUAL

ITEM	QTY	FIGURE 2: HULL ASS'Y - STRAIGHT PART DESCRIPTION	PART NO.
	1	ANGLE, HORIZ. LWR.	6A01359-039
	2	ANGLE, TOP RAIL ATTACH	6A01359-004
27	1	ASS'Y., BULK., #13	6S01000-046
	1	BODY, BULK.	6A01008-032
	2	ANGLE, HORIZ. AND VERT.	6S01359-043
	2	ANGLE, RAIL ATTACH	6A01359-004
28	1	ASS'Y., BULK., #14 LT.	6A01000-047
		ASS'Y., BULK #14 RT	6A01000-176
	1	BODY, BULK.	6A01002-033
	6	ANGLE, RAIL ATTACH	6A01359-004
	1	BODY, BULK., RT	6A01002-120
	2	PIN, COTTER	MS24665-136
	2	BRACKET PULLEY	3A01151-010
29	1	ASS'Y., BULK., #15	6A01000-048
	1	BODY, BULK.	6A01002-034
	6	ANGLE, RAIL ATTACH	6A01359-004
	2	BRACKET PULLEY	3A01151-010
	2	PIN, COTTER	MS24665-136
	2	DOUBLER, CABLE	6A01156-069
30	1	ASS'Y., BULK., #16	6A01000-049
	1	BODY, BULK.	6A01002-035
	6	ANGLE, RAIL ATTACH	6A01359-004
31	1	ASS'Y., BULK., #17	6A01000-050
	1	BODY, BULK.	6A01002-036
	6	ANGLE, RAIL ATTACH	6A01359-004
	2	PIN, COTTER	MS24665-136
	2	DOUBLER, CABLE	6A01156-070
	2	BRACKET PULLEY	3A01151-010
32	1	ASS'Y., BULK., #18	6A01000-051
	1	BODY, BULK.	6A01002-037
	6	ANGLE, RAIL ATTACH	6A01359-004
	1	PIVOT, CASTING	3A01437-001
	1	ANGLE, TOP SKIN, REINF.	6A01352-004
	1	ANGLE, REINF.	6A01361-001
	1	ANGLE, REINF.	6A01361-002
	1	ANGLE, REINF.	6A01359-044

WIPLINE MODEL 6100 FLOAT PARTS MANUAL

ITEM	QTY	FIGURE 2: HULL ASS'Y - STRAIGHT PART DESCRIPTION	PART NO.
33	1	ASS'Y., FT., SPR. BAR PANEL, RT.	6A01000-052
	1	ASS'Y., FT., SPR. BAR PANEL, LT.	6A01000-053
	1	PANEL, FT., SPR. BAR, LT.	6A01338-003
	1	PANEL, FT., SPR. BAR, RT.	6A01338-004
	1	ANGLE, FT., SPR. BAR PANEL, LT.	6A01357-003
	1	ANGLE, FT., SPR. BAR PANEL, RT.	6A01357-004
34	1	SPACER, CLEAT ATTACH	6A01156-015
35	1	PLATE, CLEAT ATTACH	6A01156-016
36	2	GUSSET, SIDE SKIN	6A01002-038
37	1	DOUBLER, TOP SKIN, RR. OUTSIDE	6S01008-023
38	A/R	PLATENUT, TINNERMAN WITH TAPE	1002481
39	1	DOUBLER, TOP SKIN, FT.	6A01008-021
40	6	ASS'Y., INSPECTION COVER (10")	6A01000-456
41	1	ASS'Y., BAGGAGE COVER, METAL HINGE	6A01000-123
	1	ASS'Y., BAGGAGE COVER, PLASTIC HINGE	6A01000-073
	1	HINGE, CONT. (SHEPARD CO. - PASTIC)	1 1/2" BLACK HINGE
	2	LATCH (SOUTHCO)	6A01000-166
42	1	ASS'Y., INSPECTION COVER (8.75")	6A01000-072
43	1	ASS'Y., INSPECTION COVER (17.5")	6A01000-071
44	1	NOSE BUMPER	6S01731-001
	2	ANGLE, NOSE BUMPER ATTACH, SIDE	6A01359-051
	2	ANGLE, NOSE BUMPER ATTACH, BOTTOM	6A01359-113
45	1	DOUBLER, TOP SKIN, INSIDE	6S01003-019
46	2	SPACER, TOP SKIN SPR. BAR PANELS	6S01003-044
47	2	SPLASH RAILS CHINE (NOT SHOWN)	6A01008-074
48	1	BAGGAGE FLOOR (AFT HALF) LT.	6A01008-133
	1	BAGGAGE FLOOR (AFT HALF) RT.	6A01008-134
	1	BAGGAGE FLOOR (FWD HALF)	6A01008-139

THIS PAGE INTENTIONALLY LEFT BLANK



MISC. HULL PARTS - AMPHIBIAN

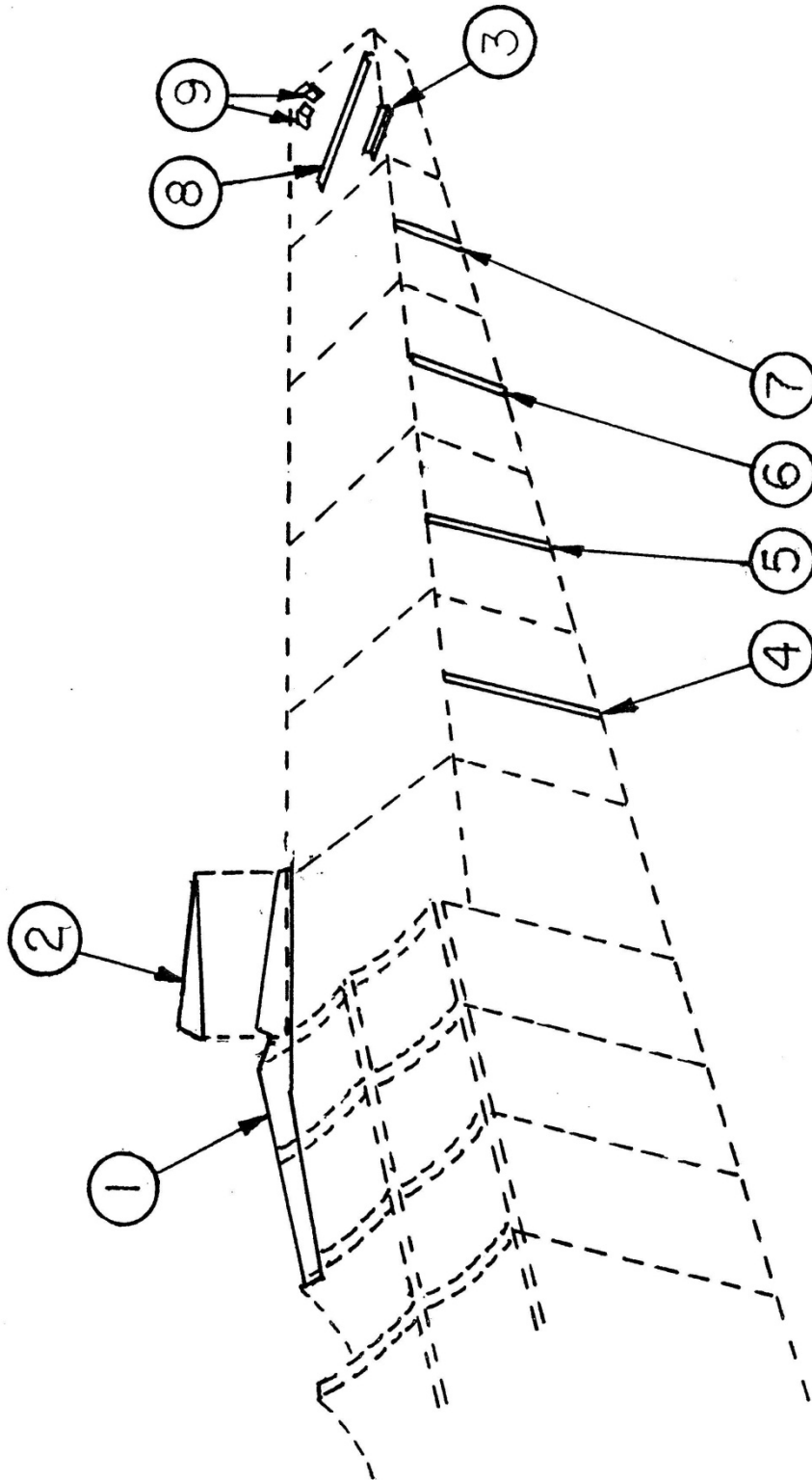
FIGURE 3

WIPLINE MODEL 6100 FLOAT PARTS MANUAL

ITEM	QTY	FIGURE 3: MISC. HULL PARTS - AMPHIBIAN PART DESCRIPTION	PART NO.
1	1	ANGLE, CARRYTHRU STRAP, RT.	6A01008-010
	1	ANGLE, CARRYTHRU STRAP, LT.	6A01008-011
2	2	STRAP, CARRYTHRU	6A01001-003
3	1	ANGLE, CARRYTHRU STRAP OUTSIDE, RT.	6A01008-016
	1	ANGLE, CARRYTHRU STRAP OUTSIDE, LT.	6A01008-017
4	1	ASS'Y., DRAG BRACE PANEL, RT.	6A01000-062
	1	ASS'Y., DRAG BRACE PANEL, LT.	6A01000-063
5	1	ANGLE, TOP SKIN REINF.	6A01352-004
6	1	ANGLE, TRUNION ATTACH, LT.	6A01183-001
	1	ANGLE, TRUNION ATTACH, RT.	6A01183-002
7	1	ANGLE, AB OUTSIDE, LT.	6A01005-051
	1	ANGLE, AB OUTSIDE, RT.	6A01005-052
8	1	ANGLE, AB INSIDE, LT.	6A01008-055
	1	ANGLE, AB INSIDE, RT.	6A01008-056
9	1	PANEL, REINF.	6A01008-018
10	1	ANGLE, REINF. #18 BULK.	6A01359-044
11	1	ANGLE, REINF. #18 BULK. BTM. LT.	6A01361-001
	1	ANGLE, REINF. #18 BULK. BTM. RT.	6A01361-002
12	2	CHANNEL, SIDE SKIN	6A01151-047
13	2	SHIM, CARRYTHRU STRAP	6A01011-001
14	1	ANGLE, CARRYTHRU STRAP, RIHGT	6A01008-012
	1	ANGLE, CARRYTHRU STRAP, LT.	6A01008-013
15	1	ANGLE, CARRYTHRU STRAP, RT.	6A01008-014
	1	ANGLE, CARRYTHRU STRAP, LT.	6A01008-015
16	2	CHANNEL, SIDE SKIN	6A01151-050
17	2	CHANNEL, SIDE SKIN	6A01151-049
18	2	CHANNEL, SIDE SKIN	6A01151-048

THIS PAGE INTENTIONALLY LEFT BLANK

SECTION 2: MISCELLANEOUS HULL PARTS



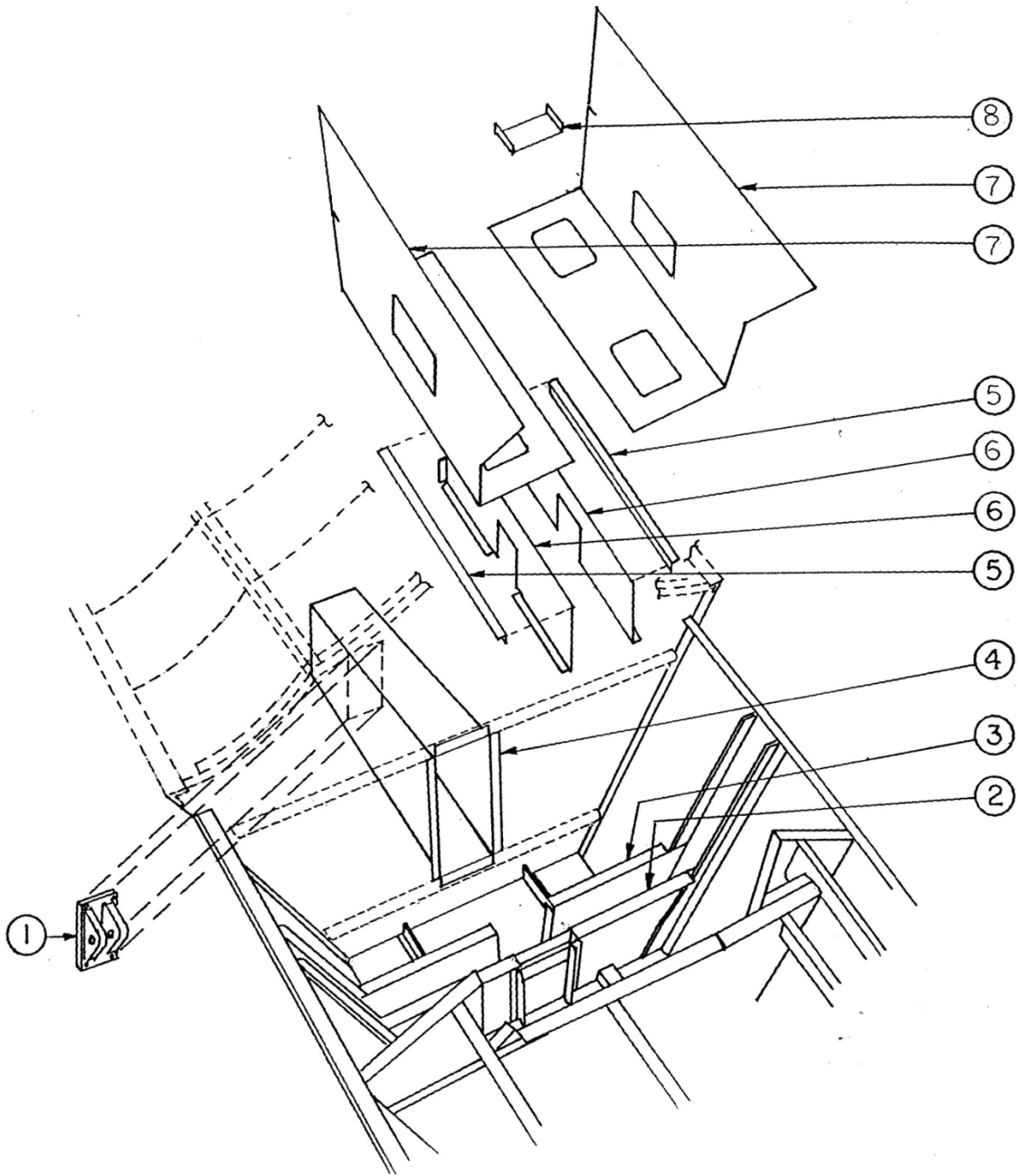
MISC. HULL PARTS - STRAIGHT
FIGURE 4

WIPLINE MODEL 6100 FLOAT PARTS MANUAL

FIGURE 4: MISC. HULL PARTS - STRAIGHT			
ITEM	QTY	PART DESCRIPTION	PART NO.
1	2	STRAP, CARRYTHRU	6S01156-011
2	1	SPACER, CARRYTHRU STRAP	6S01156-012
3	1	ANGLE, TOP SKIN REINF.	6A01352-004
4	2	CHANNEL, SIDE SKIN	6A01151-050
5	2	CHANNEL, SIDE SKIN	6A01151-049
6	2	CHANNEL, SIDE SKIN	6A01151-048
7	2	CHANNEL, SIDE SKIN	6A01151-047
8	1	ANGLE, REINF. #18 BULKHEAD	6A01359-044
9	1	ANGLE, REINF. #18 BULKHEAD BTM. LT.	6A01361-001
	1	ANGLE, REINF. #18 BULKHEAD BTM. RT.	6A01361-002

THIS PAGE INTENTIONALLY LEFT BLANK

SECTION 3: WHEEL WELL AREA



WHEEL WELL AREA

FIGURE 5

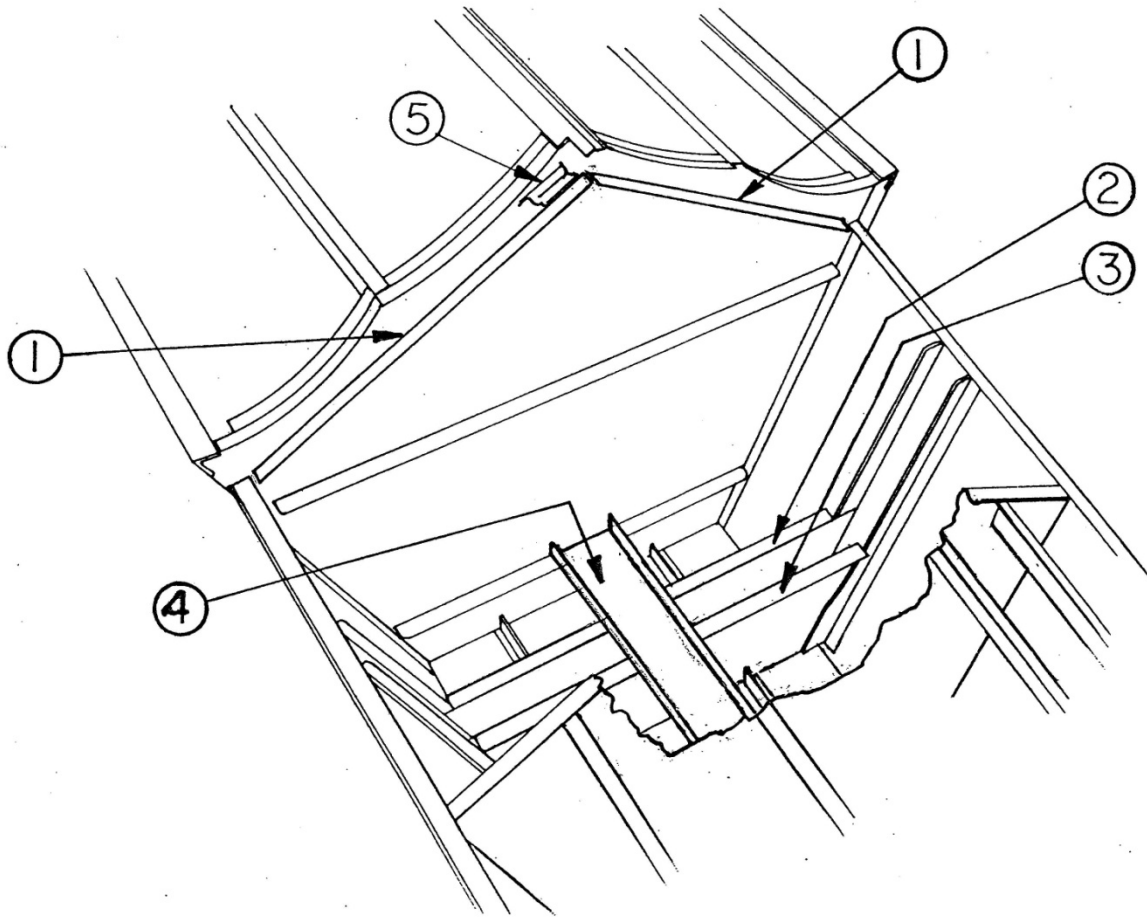
WIPLINE MODEL 6100 FLOAT PARTS MANUAL

ITEM	QTY	FIGURE 5: WHEEL WELL AREA PART DESCRIPTION	PART NO.
1	2	ASS'Y., TRUNNION, MAIN GEAR	6A04000-054
	4	BUSHING, 1/2" DIA, LENGTH 1/2"	08DU08
2	1	PANEL ASS'Y., SPREADER BAR, REAR, AFT. RIGHT	6A01000-056
	1	PANEL ASS'Y., SPREADER BAR, REAR, AFT. LEFT	6A01000-057
	1	SPREADER BAR PANEL, AFT. REAR LT.	6A01338-009
	1	SPREADER BAR PANEL, AFT. REAR RT.	6A01338-010
	1	ANGLE, RR. SPR. BAR PANEL, LT.	6A01357-005
	1	ANGLE, RR. SPR. BAR PANEL, RT.	6A01357-006
	2	ANGLE, SPR. BAR PANEL AFT. LT.	6A01359-045
	2	ANGLE, SPR. BAR PANEL AFT. RT.	6A01359-046
	3	1	PANEL ASS'Y., SPR. BAR REAR FWD. RT.
1		PANEL ASS'Y., SPR. BAR REAR FWD. LT.	6A01000-055
1		SPREADER BAR PANEL, FWD. REAR LT.	6A01338-005
1		SPREADER BAR PANEL, FWD. REAR RT.	6A01338-006
1		ANGLE, SPR. BAR PANEL AFT. LT.	6A01357-007
1		ANGLE, SPR. BAR PANEL AFT. RT.	6A01357-008
2		ANGLE, SPR. BAR PANEL AFT. LT.	6A01359-045
2		ANGLE, SPR. BAR PANEL AFT. RT.	6A01359-046
4	1	ASS'Y., TUNNEL	6A01000-064
	1	FITTING, FWD. SLIDE TUBE	6A01201-001
	1	COVER, TUNNEL	6A01005-054
	1	TUNNEL	6A01005-053
	2	ANGLE, TUNNEL	6A01340-015
	1	TUNNEL, TOP FWD.	6A01005-062
	1	TUNNEL, TOP AFT.	6A01005-063
5	1	ANGLE SUPPORT, WHEEL WELL LT.	6A01359-049
	1	ANGLE SUPPORT, WHEEL WELL RT.	6A01359-050
6	1	PANEL, WHEEL WELL VERTICAL, Lt.	6A01005-055
	1	PANEL, WHEEL WELL VERTICAL, RT.	6A01005-056
7	1	MAIN PANEL WHEEL WELL ASS'Y., LT.	6A01000-065
	1	MAIN PANEL WHEEL WELL ASS'Y., RT.	6A01000-066
	1	COVER, WHEEL WELL INSP., SM.	6A01158-152
	1	COVER, WHEEL WELL INSP., LG.	6A01158-151
	1	INSP. COVER REINFORCEMENT, WHEEL WELL, SM.	6A01156-013
	1	INSP. COVER REINFORCEMENT, WHEEL WELL, LG.	6A01156-014

WIPLINE MODEL 6100 FLOAT PARTS MANUAL

	1	PANEL, WHEELWELL, MAIN, LT.	6A01005-057
	1	PANEL, WHEELWELL, MAIN, RT.	6A01005-058
8	1	COVER, WHEEL WELL SPREADER BAR	6A01005-061

SECTION 4: STEP AREA



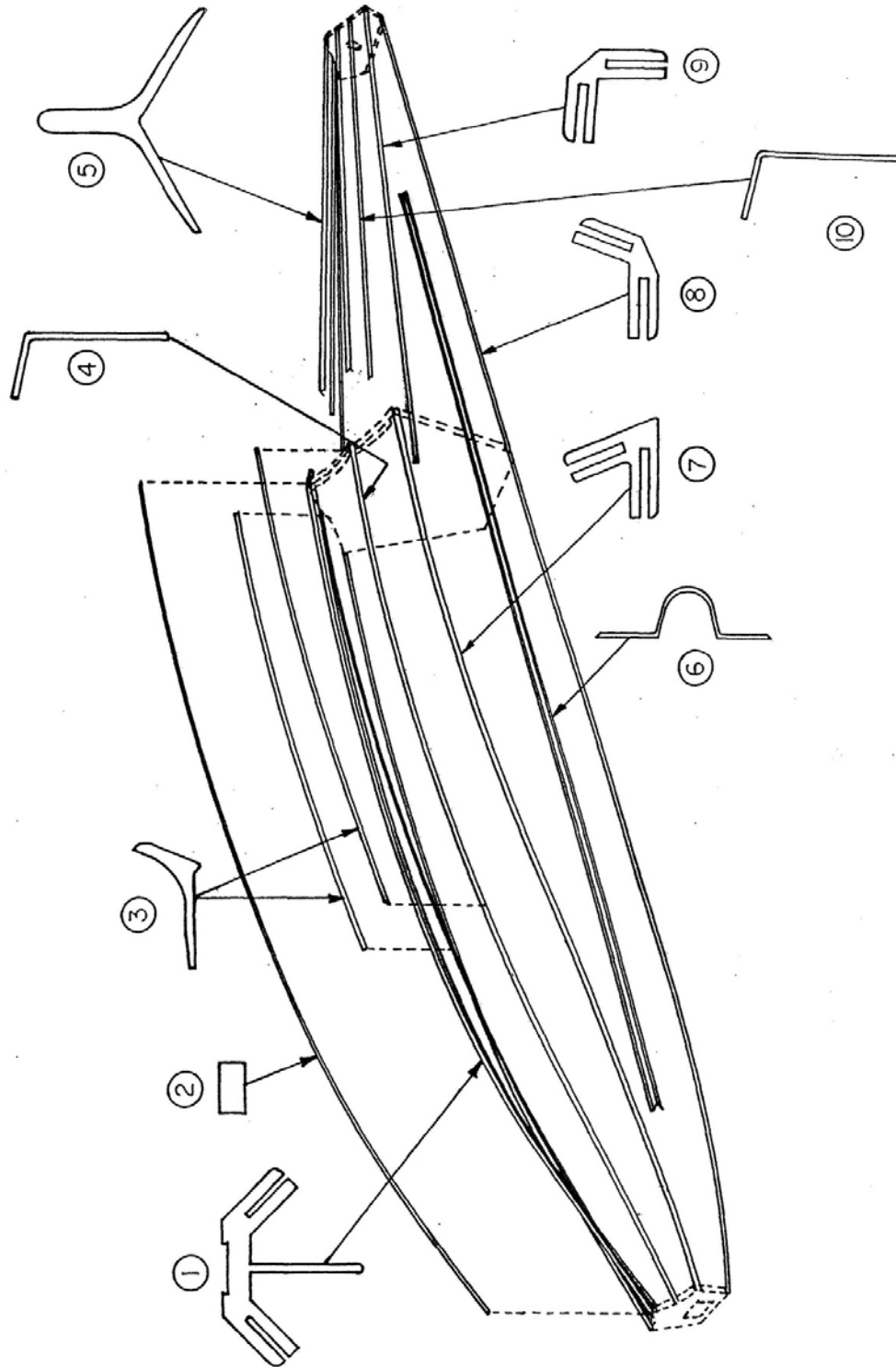
STEP AREA, STRAIGHT FLOAT
FIGURE 6

WIPLINE MODEL 6100 FLOAT PARTS MANUAL

FIGURE 6: STEP AREA - STRAIGHT			
ITEM	QTY	PART DESCRIPTION	PART NO.
1	1	ANGLE, AB SKIN ATTACH, LEFT	6S01008-019
	1	ANGLE, AB SKIN ATTACH, RIGHT	6S01008-020
2	1	ASS'Y., REAR SPR. BAR PANEL, FWD. RIGHT	6S01000-058
	1	ASS'Y., REAR SPR. BAR PANEL FWD LEFT	6S01000-059
	1	PANEL, REAR SPR. BAR FWD., LEFT	6S01338-007
	1	PANEL, REAR SPR. BAR, FWD. RIGHT	6S01338-008
	1	ANGLE, REAR SPR. BAR PANEL, LEFT	6A01357-007
	1	ANGLE, REAR SPR. BAR PANEL, RIGHT	6A01357-008
	2	ANGLE, REAR SPR. BAR PANEL, LEFT, AFT	6A01359-045
	2	ANGLE, REAR SPR. BAR PANEL, RIGHT, AFT	6A01359-046
3	1	ASS'Y., REAR SPR. BAR PANEL AFT., RIGHT	6S01000-060
	1	ASS'Y., REAR SPR. BAR PANEL AFT., LEFT	6S01000-061
	1	PANEL, REAR SPR. BAR AFT., LEFT	6S01338-011
	1	PANEL, REAR SPR. BAR AFT., RIGHT	6S01338-012
	1	ANGLE, REAR SPR. BAR PANEL, LEFT	6A01357-005
	1	ANGLE, REAR SPR. BAR PANEL, RIGHT	6A01357-006
	2	ANGLE, REAR SPR. BAR PANEL, LEFT, AFT	6A01359-045
	2	ANGLE, REAR SPR. BAR PANEL, RIGHT, AFT	6A01359-046
4	1	CHANNEL, SUPPORT	6S01155-003
5	1	ANGLE, AB SKIN ATTACH UPPER, RIGHT	6S01005-082
	1	ANGLE, AB SKIN ATTACH UPPER, LEFT	6S01005-083

THIS PAGE INTENTIONALLY LEFT BLANK

SECTION 5: HULL EXTRUSIONS

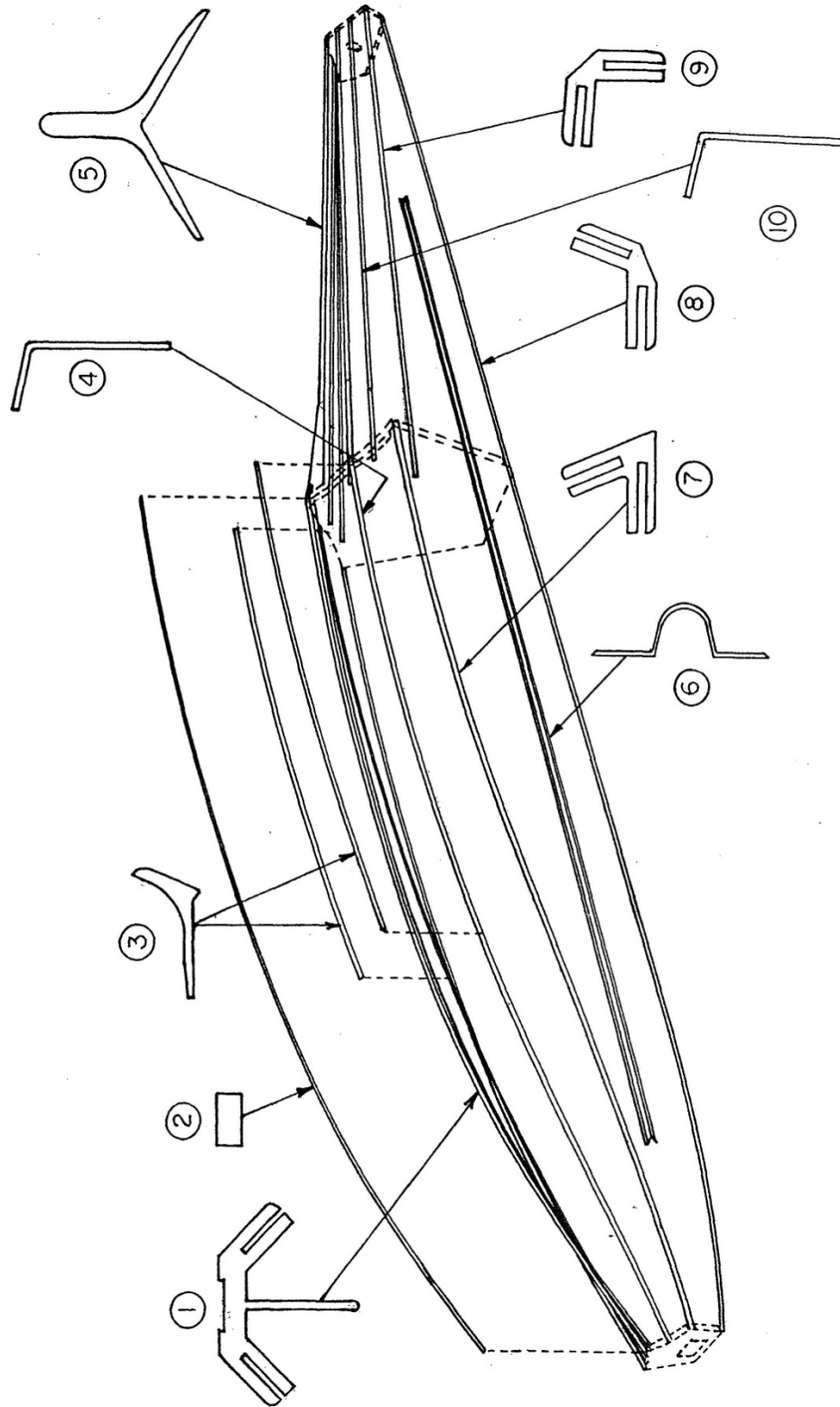


EXTRUSIONS HULL - AMPHIBIAN

FIGURE 7

WIPLINE MODEL 6100 FLOAT PARTS MANUAL

FIGURE 7: HULL EXTRUSTIONS - AMPHIBIAN			
ITEM	QTY	PART DESCRIPTION	PART NO.
1	1	KEEL, MAIN	6A01354-003
2	1	WEAR STRIP, KEEL	3A01200-001
3	1	SISTER KEEL, OUTSIDE, LEFT	6A01342-003
	1	SISTER KEEL, OUTSIDE, RIGHT	6A01342-004
4	1	SISTER KEEL, INSIDE, FWD., RIGHT	6A01361-004
	1	SISTER KEEL, INSIDE, FWD., LEFT	6A01361-005
5	1	KEEL, AB	6A01347-003
6	2	STIFFENER, SIDE SKIN, RIGHT	6A01353-004
	2	STIFFENER, SIDE SKIN, LEFT	6A01353-005
7	1	CHINE, FT., LEFT	6A01351-003
	1	CHINE, FT., RIGHT	6A01351-004
8	1	GUNWALL, LEFT	8A01366-005
	1	GUNWALL, RIGHT	6A01366-006
9	1	CHINE, AB, LEFT	6A01363-003
	1	CHINE, AB, RIGHT	6A01363-004
10	1	SISTER KEEL, AB, INBD., RIGHT	6A01361-006
	1	SISTER KEEL, AB, INBD., LEFT	6A01361-007
	1	SISTER KEEL, AB, OTBD., RIGHT	6A01361-008
	1	SISTER KEEL, AB, OTBD., LEFT	6A01361-009



EXTRUSIONS HULL STRAIGHT

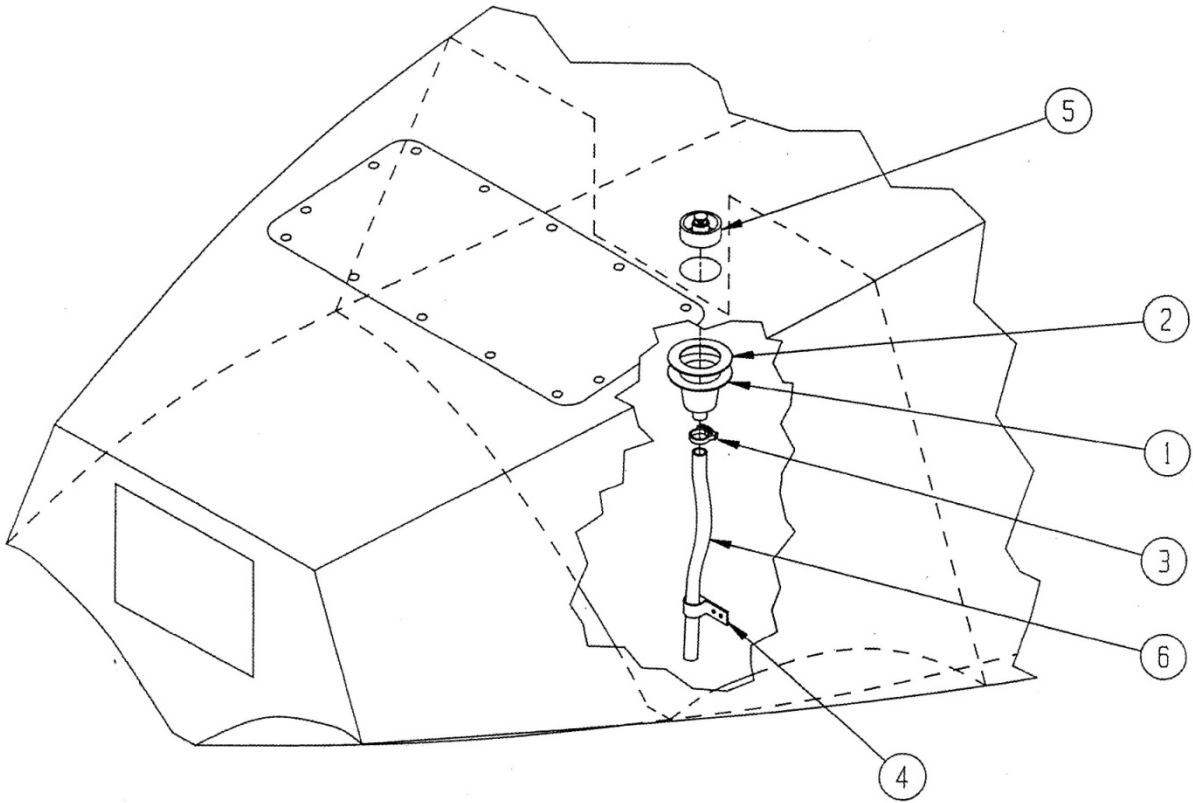
FIGURE 8

WIPLINE MODEL 6100 FLOAT PARTS MANUAL

ITEM	QTY	FIGURE 8: HULL EXTRUSIONS – STRAIGHT PART DESCRIPTION	PART NO.
1	1	KEEL, MAIN	6S01354-004
2	1	WEAR STRIP, KEEL	3A01200-001
3	1	SISTER KEEL, OUTSIDE LEFT	6A01342-003
	1	SISTER KEEL, OUTSIDE REFT	6A01342-004
4	1	SISTER KEEL, INSIDE, FWD. RIGHT	6A01361-004
	1	SISTER KEEL, INSIDE, FWD. LEFT	6A01361-005
5	1	KEEL, AB	6S01347-004
6	2	STIFFENER, SIDESKIN, RIGHT	6A01353-004
	2	STIFFENER, SIDESKIN, LEFT	6A01353-005
7	1	CHINE, FT., LEFT	6A01351-003
	1	CHINE, FT., RIGHT	6A01351-004
8	1	GUNWALL, LEFT	8A01366-005
	1	GUNWALL, RIGHT	8A01366-006
9	1	CHINE, AB, LEFT	6A01363-003
	1	CHINE, AB, RIGHT	6A01363-004
10	2	SISTER KEEL, AB, RIGHT	6S01361-010
	2	SISTER KEEL, AB, LEFT.	6S01361-011

THIS PAGE INTENTIONALLY LEFT BLANK

SECTION 6: PUMPER TUBES



PUMPER TUBES – STRAIGHT AND AMPHIBIAN
FIGURE 9

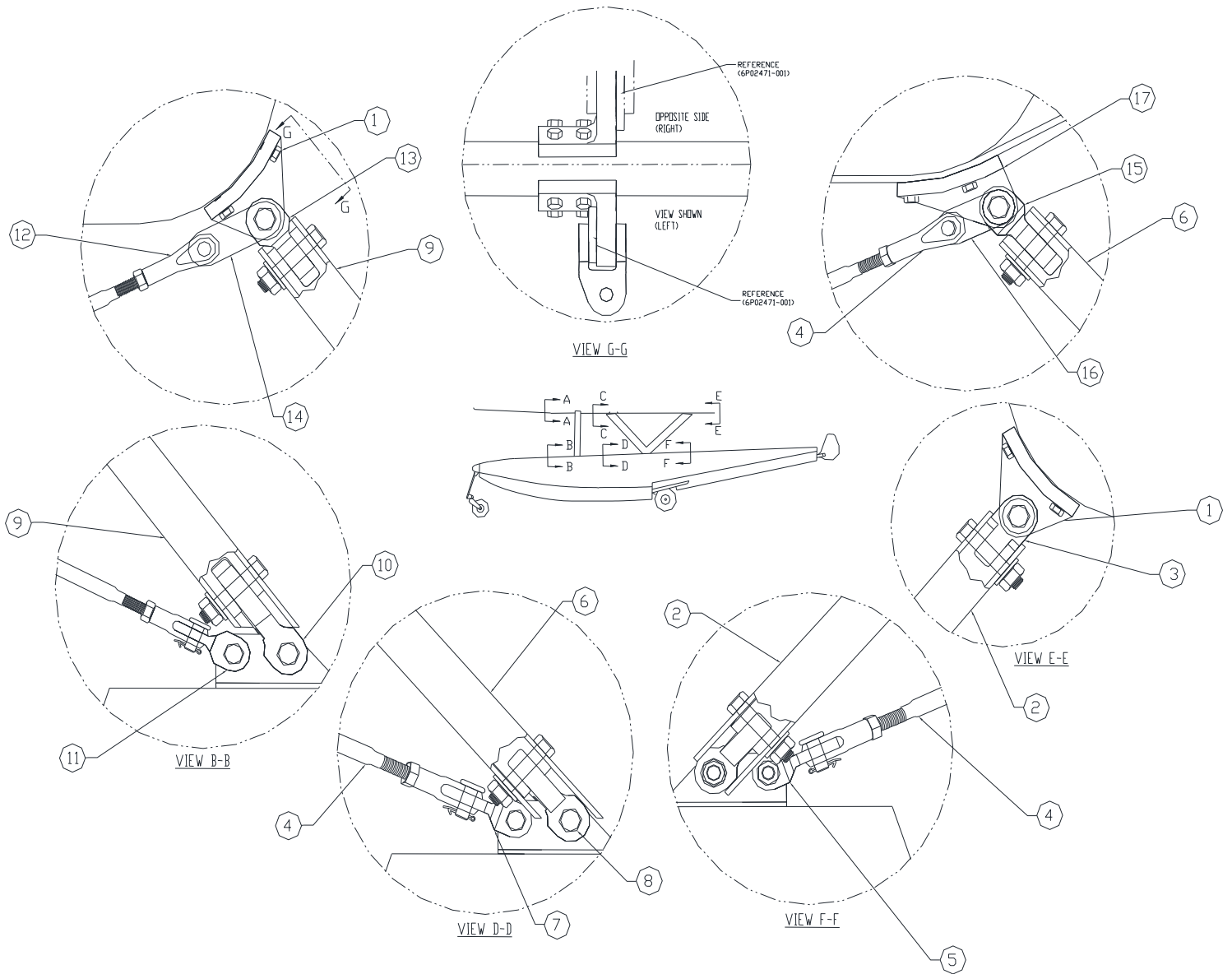
WIPLINE MODEL 6100 FLOAT PARTS MANUAL

ITEM	QTY	FIGURE 9: PUMPER TUBES PART DESCRIPTION	PART NO.
1	1	CUP, PUMP OUT (OLD STYLE)	3A01650-002
	1	CUP, PUMP OUT (NEW STYLE)	4A01749-001
2	1	RING, REINF. PUMP OUT CUP	3A01158-005
3	1	CLAMP, UPPER END	57134
4	1	CLAMP, LOWER END	3A01158-003
5	1	ASS'Y., STOPPER PUMPER CUP (OLD STYLE)	3A01000-023
	1	STOPPER (NEW STYLE)	2111
6	1	PUMPER TUBE, 12"	6A01618-019
	1	PUMPER TUBE, 15 1/2"	6A01618-018
	1	PUMPER TUBE, 19"	6A01618-017
	1	PUMPER TUBE, 22 1/2"	6A01618-016
	1	PUMPER TUBE, 23 1/2"	6A01618-014
	1	PUMPER TUBE, 25 3/4"	6A01618-010
	1	PUMPER TUBE, 27 1/2"	6A01618-015
	1	PUMPER TUBE, 31"	6A01618-011
	1	PUMPER TUBE, 31 1/2"	6A01618-012
	1	PUMPER TUBE, 32 1/2"	6A01618-013

THIS PAGE INTENTIONALLY LEFT BLANK

SECTION 7: INSTALLATION – STRUTS AND STEPS

WIPLINE MODEL 6100 FLOAT PARTS MANUAL



INSTALLATION, FWD, CENTER, AND AFT STRUT
FIGURE 10

WIPLINE MODEL 6100 FLOAT PARTS MANUAL

ITEM	QTY	FIGURE 10: FWD, CENTER, AND AFT STRUT PART DESCRIPTION	PART NO.
1	2	FWD/AFT FUSELAGE STRUT FITTING	6P02107-001
	2	FWD/AFT FUSELAGE STRUT FITTING	6P02107-002
	8	BOLT	AN5-12A
	8	BOLT	AN5-13A
	A/R	WASHER	NAS1149F0532P
	A/R	WASHER	NAS1148F0563P
	16	NUT	MS21044N5
2	1	ASS'Y., REAR STRUT, LEFT	6P02000-103
	1	ASS'Y., REAR STRUT, RIGHT	6P02000-102
	4	BOLT	AN8-22A
	A/R	WASHER	NAS1149F0863P
	4	Nut	MS21044N8
3	2	FITTING, LINK, STRUT, UPPER REAR	6P02066-002
	2	BOLT	AN8-23A
	A/R	WASHER	NAS1149F0863P
	2	NUT	MS21044N8
4	2	ASS'Y., AFT DRAG WIRE	6P02000-101
	2	PIN	AN398-27
	A/R	WASHER	NAS1149F0863P
	2	PIN	MS24665-283
	2	TERMINAL	AN665-155RS *
	2	TERMINAL	AN665-155LS *
	2	NUT	AN316C8L*
	2	NUT	AN316C8R*
	4	PIN, CLEVIS	MS20392-7C27
	4	WASHER	NAS1149F0763P
	4	COTTER PIN	MS24665-370
5	1	FITTING, LEFT. AFT DRAG WIRE, LWR.	6P02063-003
	1	BOLT	AN8-30A
	A/R	WASHER	NAS1149F0863P
	1	NUT	MS21044N8
6	1	ASS'Y., CENTER STRUT, LEFT	6P02000-105
	1	ASS'Y., CENTER STRUT, RIGHT	6P02000-104
	4	BOLT	AN8-22A
	A/R	WASHER	NAS1149F0863P
	4	NUT	MS21044N8

WIPLINE MODEL 6100 FLOAT PARTS MANUAL

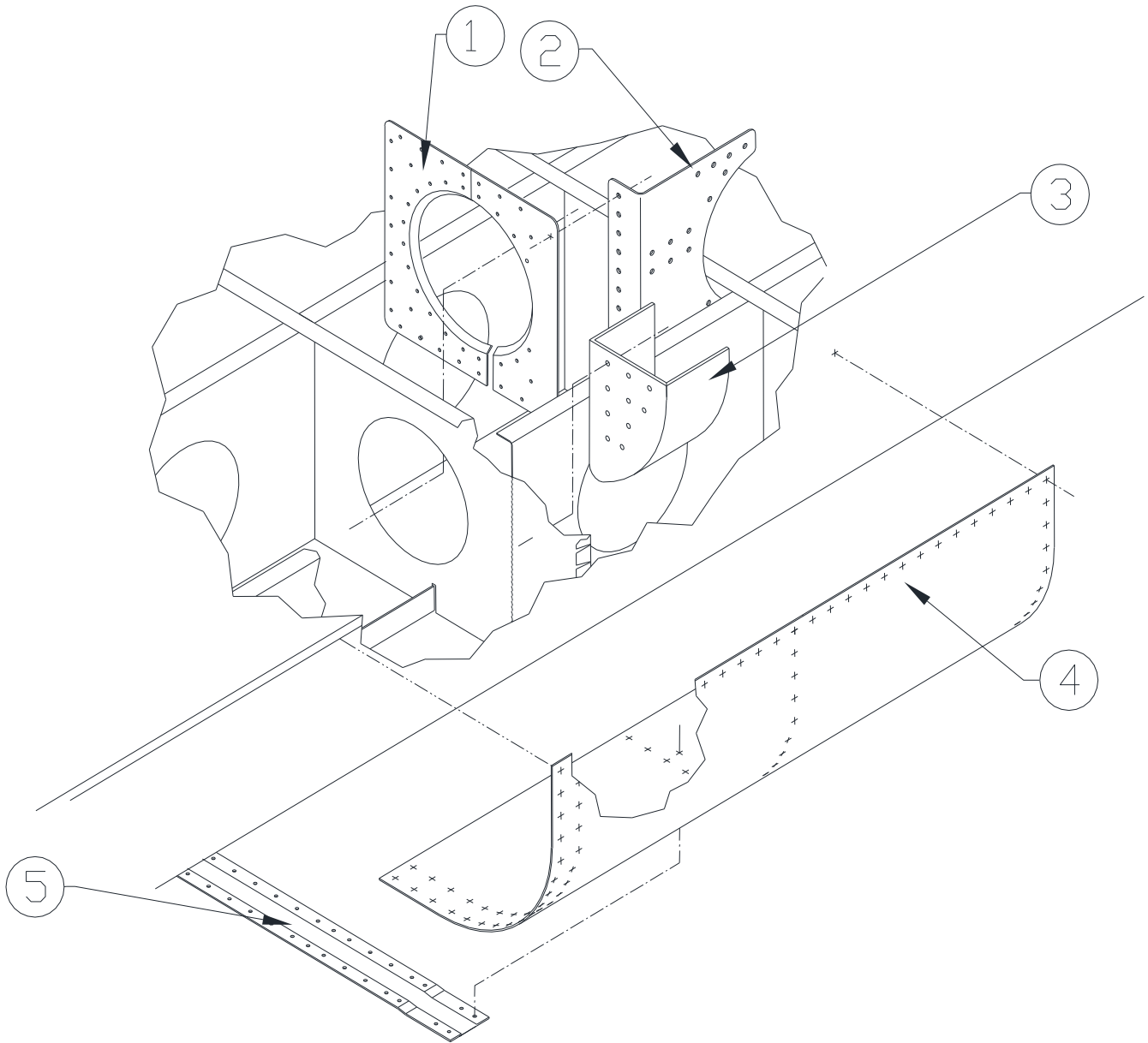
ITEM	QTY	FIGURE 10: FWD, CENTER, AND AFT STRUT PART DESCRIPTION	PART NO.
7	1	FITTING, RT., AFT. DRAG WIRE, LWR.	6P02028-001
	1	BOLT	AN8-31A
	A/R	WASHER	NAS1149F0863P
	1	NUT	MS21044N8
8	1	FITTING, STRUT, CENTER, LOWER LEFT	6P02027-001
	1	FITTING, STRUT, CENTER, LOWER RIGHT	6P02027-002
	2	BOLT	AN9-32A
	A/R	WASHER	NAS1149F0932P
	2	NUT	MS21044N9
9	1	ASS'Y., FWD. STRUT, LEFT	6P02000-107
	1	ASS'Y., FWD. STRUT, RIGHT	6P02000-106
	4	BOLT	AN8-22A
	A/R	WASHER	NAS1149F0863P
	4	NUT	MS21044N8
10	1	FITTING, FWD. STRUT, LOWER LEFT	6P02056-011
	1	FITTING, FWD. STRUT, LOWER RIGHT	6P02056-010
	2	BOLT	AN9-30A
	A/R	WASHER	NAS1149F0863P
	2	NUT	MS21044N8
11	2	FITTING, FWD. DRAG WIRE	6P02046-005
	2	BOLT	AN8-23A
	A/R	WASHER	NAS1149F0863P
	2	NUT	MS21044N8
12	2	ASS'Y, FWD, DRAG WIRE	6P02000-100
	4	PIN	AN397-25
	A/R	WASHER	NAS1149F0763P
	4	PIN	MS24665-283
	2	TERMINAL	AN665-115RS *
	2	TERMINAL	AN665-115LS *
	2	NUT	AN316C7L*
	2	NUT	AN316C7R*
	4	PIN, CLEVIS	MS20392-6C25
	4	WASHER	NAS1149F0732P
	4	COTTER PIN	MS24665-370

WIPLINE MODEL 6100 FLOAT PARTS MANUAL

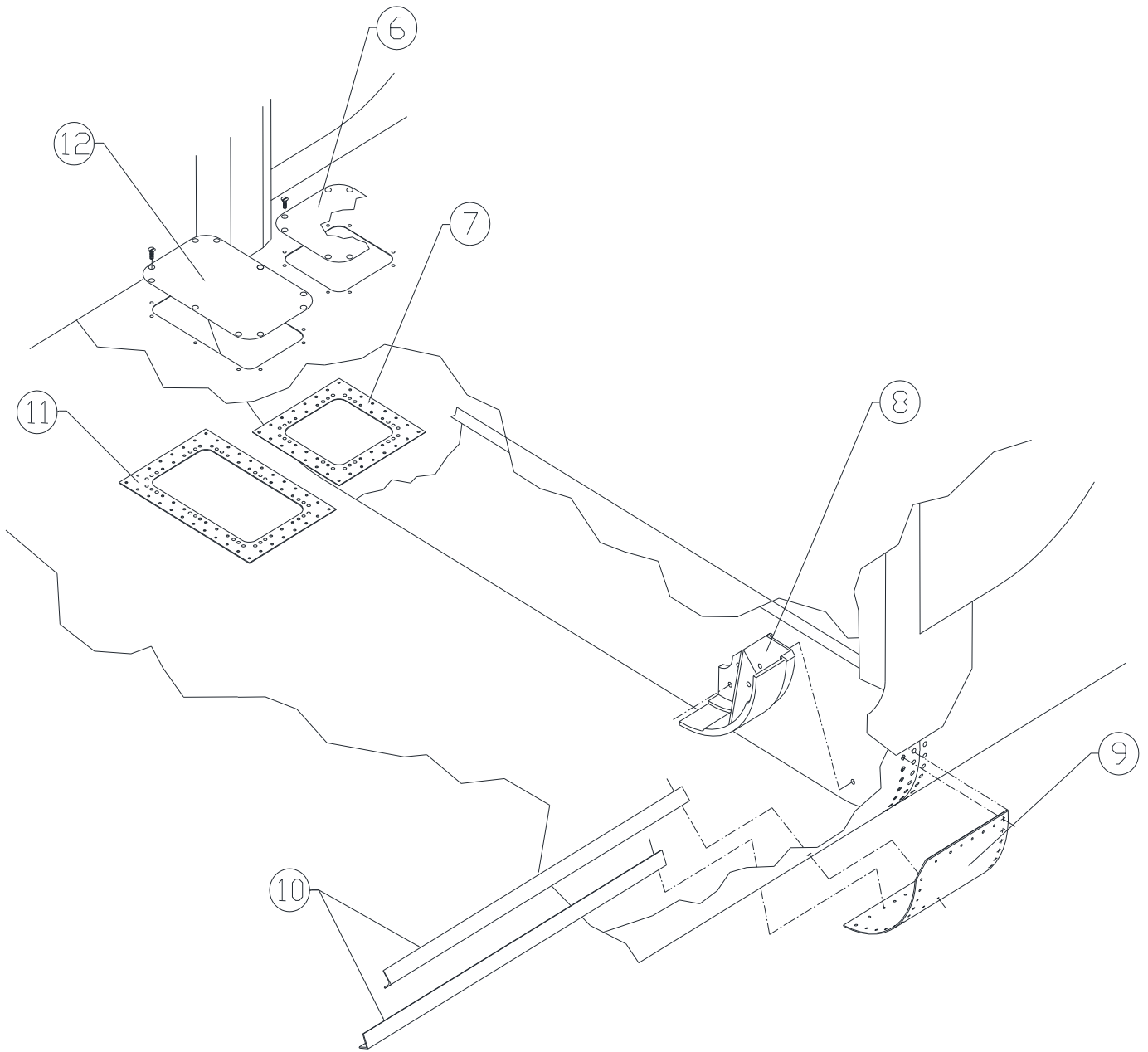
FIGURE 10: FWD, CENTER, AND AFT STRUT			
ITEM	QTY	PART DESCRIPTION	PART NO.
13	2	FITTING, FWD. STRUT, UPPER	6P02059-006
	2	BOLT	AN8-24A
	A/R	WASHER	NAS1149F0863P
	2	NUT	MS21044N8
14	2	LUG, DRAG WIRE, FRONT (UPPER)	6P02471-001
15	1	FITTING, STRUT LINK, CENTER, UPPER	6P02066-003
	2	BOLT	AN8-27A
	A/R	WASHER	NAS1149F0863P
	2	NUT	MS21044N8
16	2	LUG, DRAG WIRE (REAR)	6P02458-001
17	2	CENTER FUSELAGE STRUT FITTING	6P02108-001
	8	BOLT	AN5-12A
	A/R	WASHER	NAS1149F0532P
	A/R	WASHER	NAS1149F563P
	8	NUT	MS21044N5
	6	BOLT	NAS625-18
	6	WASHER	NAS143-5C
	6	WASHER	NAS1149F0563P
	6	NUT	MS21044N5

THIS PAGE INTENTIONALLY LEFT BLANK

SECTION 8: INSTALLATION – FUSELAGE REINFORCEMENT



INSTALLATION, FUSELAGE REINFORCEMENT, AFT
FIGURE 11



INSTALLATION, FUSELAGE REINFORCEMENT, FWD

FIGURE 11A

WIPLINE MODEL 6100 FLOAT PARTS MANUAL

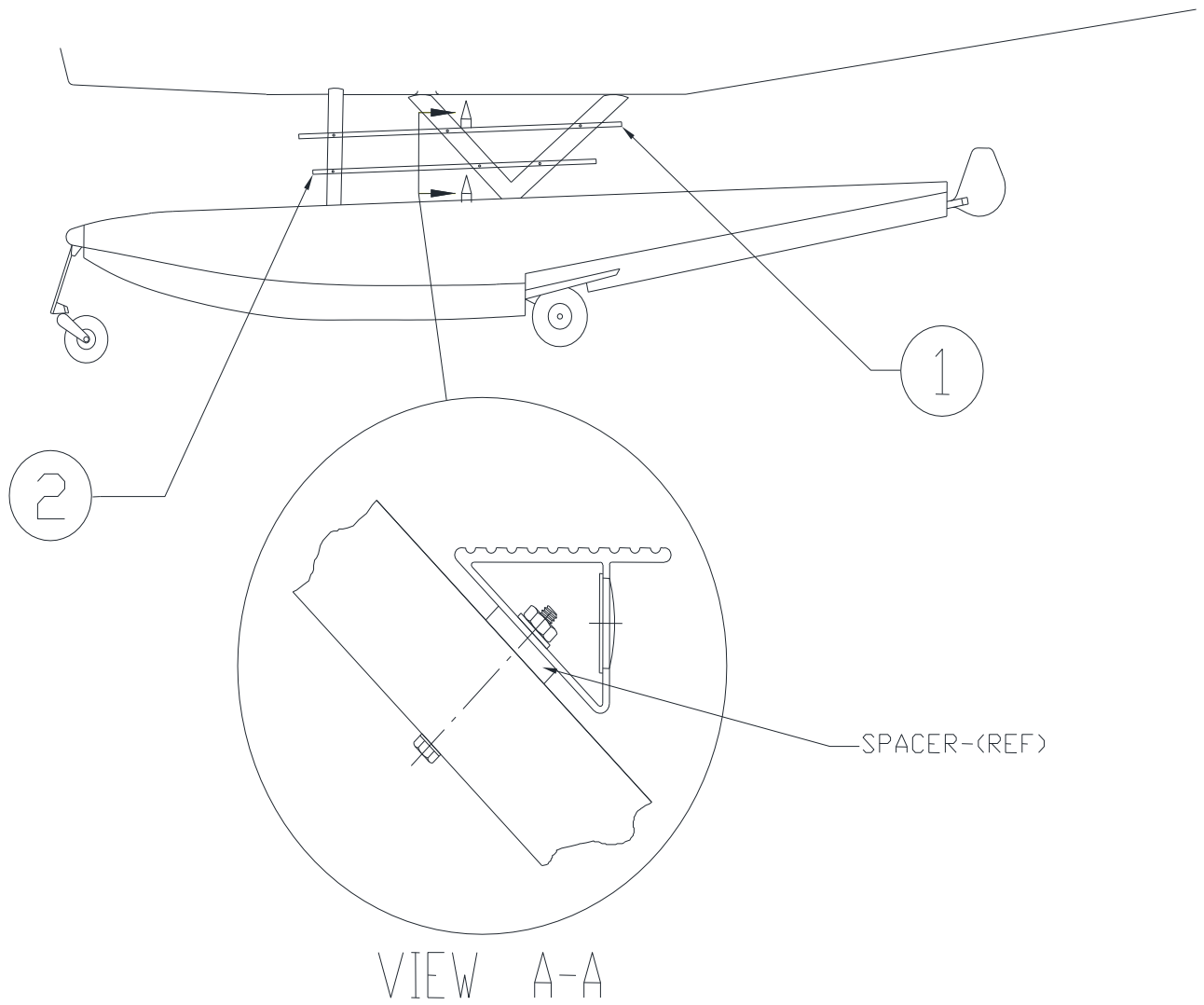
FIGURE 11-11A: FUSELAGE REINFORCEMENT			
ITEM	QTY	PART DESCRIPTION	PART NO.
1	2	DOUBLER, BULKHEAD, FUSELAGE, R/H	6P12163-030
	2	DOUBLER, BULKHEAD, FUSELAGE, L/H	6P12163-035
	A/R	RIVET	MS20470AD4
2	1	DOUBLER, BULKHEAD, FUSELAGE, L/H	6P12163-031
	1	DOUBLER, BULKHEAD, FUSELAGE, R/H	6P12163-036
	18	BOLT	AN3-5A
	A/R	WASHER	NAS1149F0363P
	18	NUT	MS21044N3
	A/R	RIVET	MS20470AD4
3	1	FITTING, SUPPORT, REAR STRUT, L/H	6P02109-001
	1	FITTING, SUPPORT, REAR STRUT, R/H	6P02109-002
	20	BOLT	AN3-4A
	A/R	WASHER	NAS1149F0363P
	20	NUT	MS21044N3
4	2	DOUBLER, SKIN SUPPORT, REAR	6P12163-034
	A/R	RIVET, OR CHERRY MAX EQUIVELANT	MS20470AD5
5	1	STIFFENER, FUSELAGE SUPPORT	6P12353-006
	A/R	RIVET	MS20470AD4
6	1	COVER, ACCESS HOLE (SMALL)	6P12158-149
	8	SCREW	AN507-832R8
7	1	SUPPORT, ACCESS HOLE (SMALL)	6P12000-013
	28	RIVET	MS20470AD4
8	1	FITTING SUPPORT, FRONT STRUT L/H	6P02106-001
	1	FITTING SUPPORT, FRONT STRUT R/H	6P02106-002
	8	BOLT	AN4-7A
	A/R	WASHER	NAS1149F0432P
	8	WASHER	NAS1149F0463P
	8	NUT	MS21044N4
9	1	DOUBLER, SKIN SUPPORT, FWD, L/H	6P12163-033
	1	DOUBLER, SKIN SUPPORT, FWD, R/H	6P12163-038
	A/R	RIVET	MS20470AD4
10	4	ANGLE, FUSELAGE SUPPORT	6P12340-090
	A/R	RIVET	MS20470AD4

WIPLINE MODEL 6100 FLOAT PARTS MANUAL

FIGURE 11-11A: FUSELAGE REINFORCEMENT			
ITEM	QTY	PART DESCRIPTION	PART NO.
11	1	SUPPORT, ACCESS HOLE (Large)	6P12000-012
	36	RIVET	MS20470AD4
12	1	COVER, ACCESS HOLE (Large)	6P12158-150
	10	SCREW	AN507-832R8

THIS PAGE INTENTIONALLY LEFT BLANK

SECTION 9: INSTALLATION – UPPER AND LOWER STEP



INSTALLATION, UPPER AND LOWER STEP
FIGURE 12

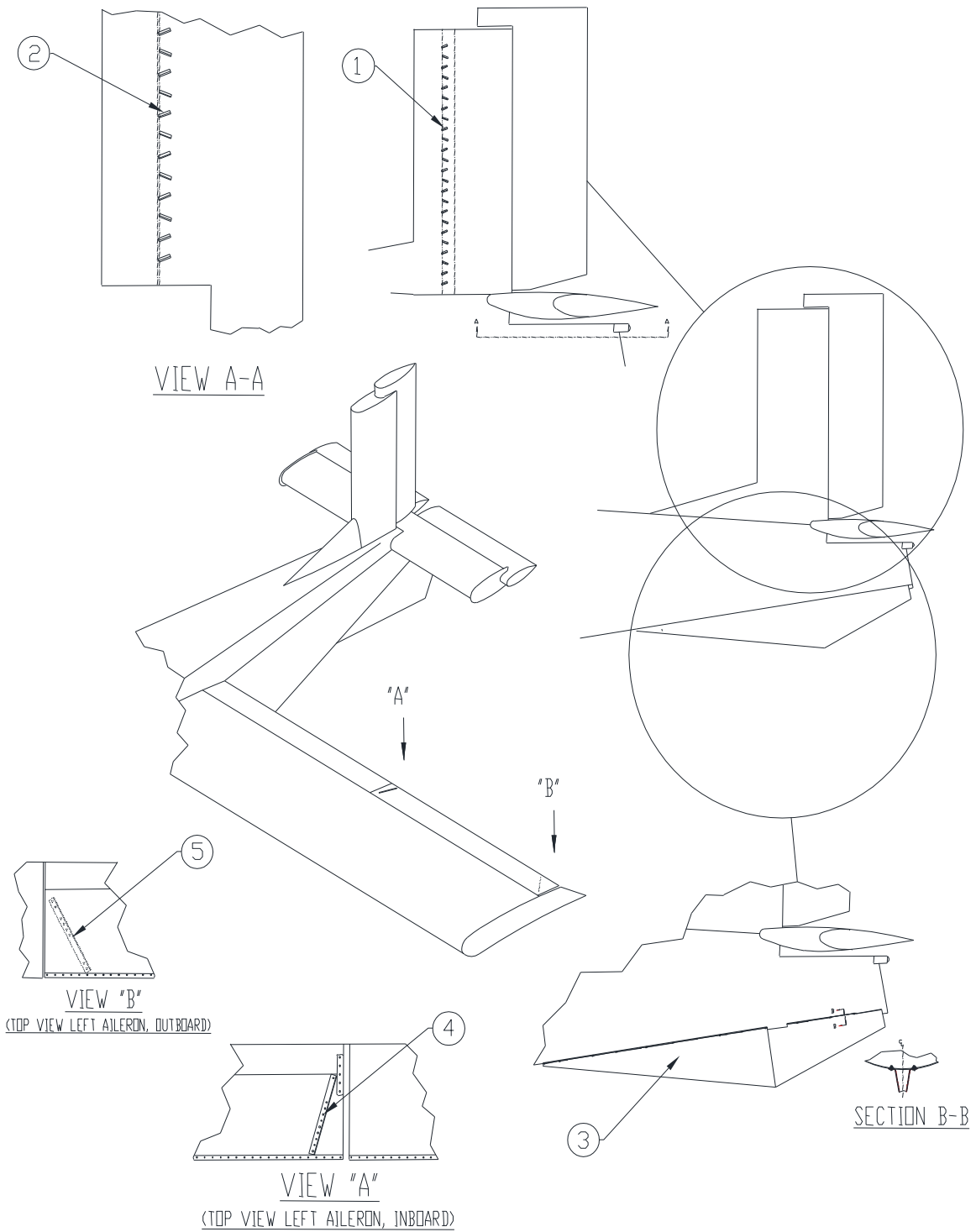
WIPLINE MODEL 6100 FLOAT PARTS MANUAL

FIGURE 12: UPPER AND LOWER STEP			
ITEM	QTY	PART DESCRIPTION	PART NO.
1	1	STEP, BOARDING, UPPER R/H	6P02369-015
	1	STEP, BOARDING, UPPER L/H	6P02369-016
	2	SPACER, UPPER	6P02602-008
	4	BOLT	AN3-24A
	2	BOLT	AN3-35A
	12	WASHER	NAS1149F00363P
	6	NUT	MS21044N3
2	1	STEP, BOARDING, LOWER R/H	6P02369-017
	1	STEP, BOARDING, LOWER L/H	6P02369-018
	2	SPACER, LOWER	6P02602-007
	4	BOLT	AN3-24A
	2	BOLT	AN3-26A
	12	WASHER	NAS1149F0363P
	6	NUT	MS21044N3

THIS PAGE INTENTIONALLY LEFT BLANK

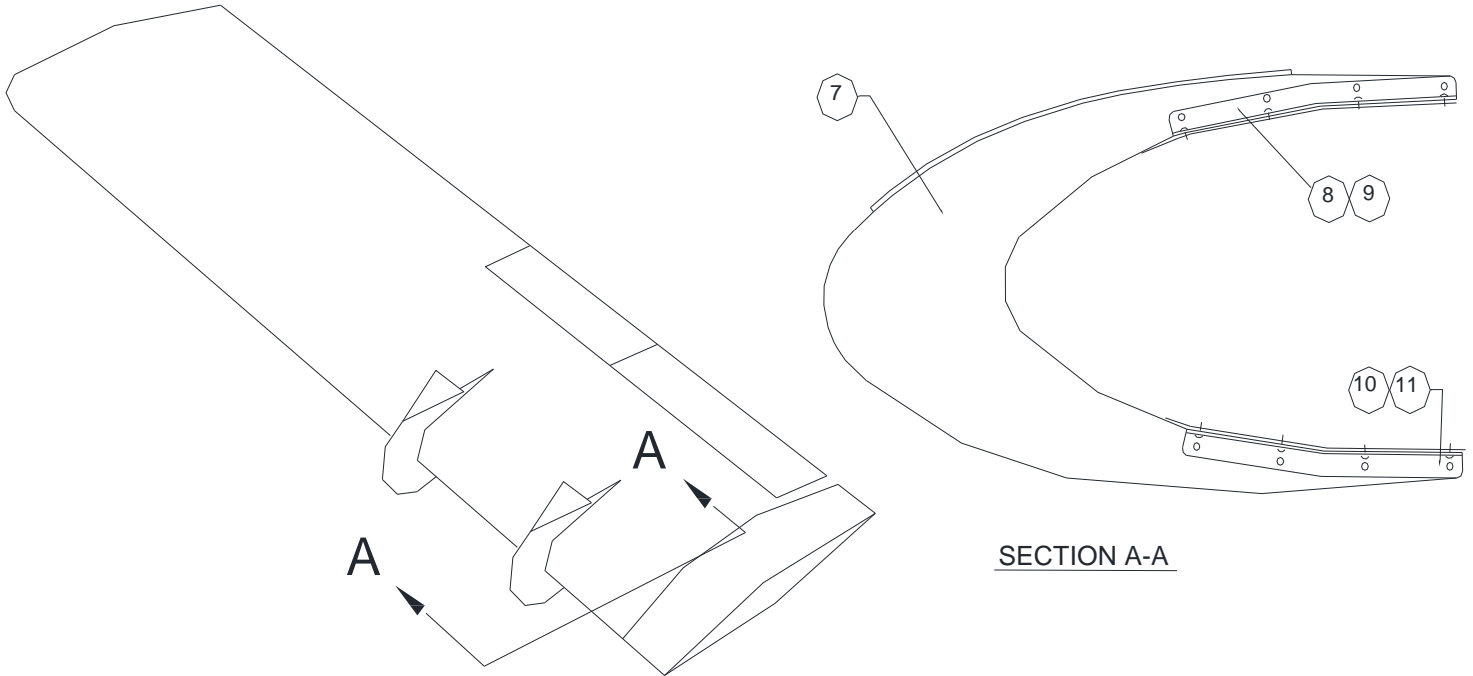
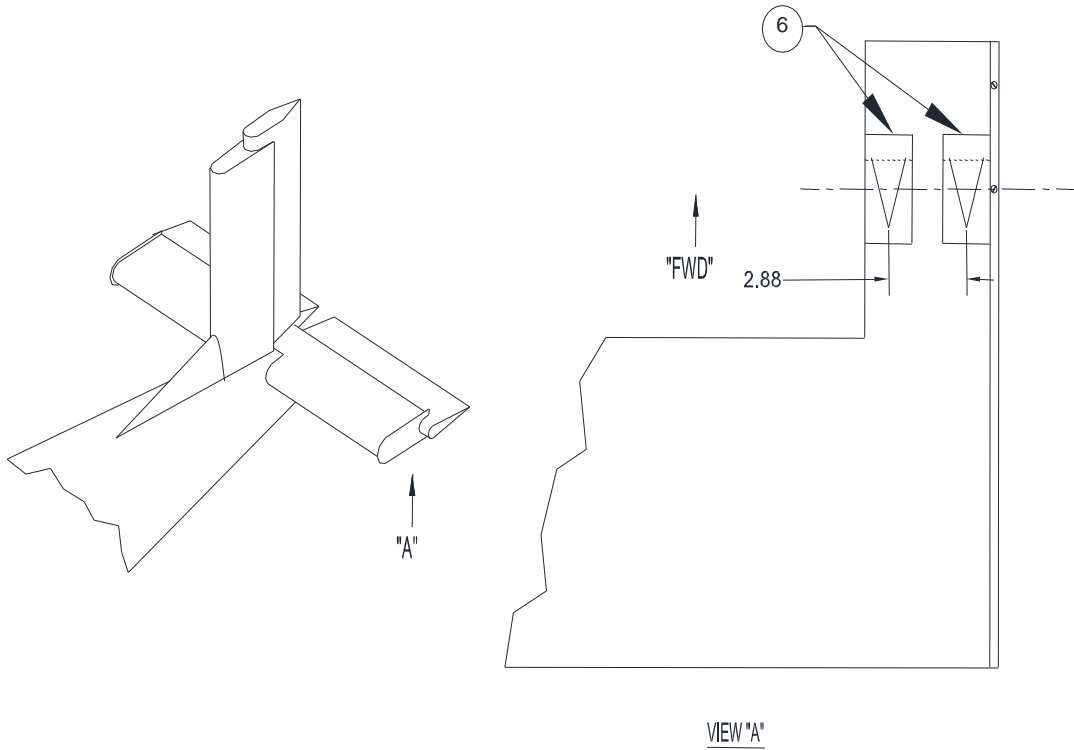
SECTION 10: INSTALLATION, MISC. FUSELAGE ITEMS

WIPLINE MODEL 6100 FLOAT PARTS MANUAL



INSTALLATION, MISC FUSELAGE ITEMS

FIGURE 13



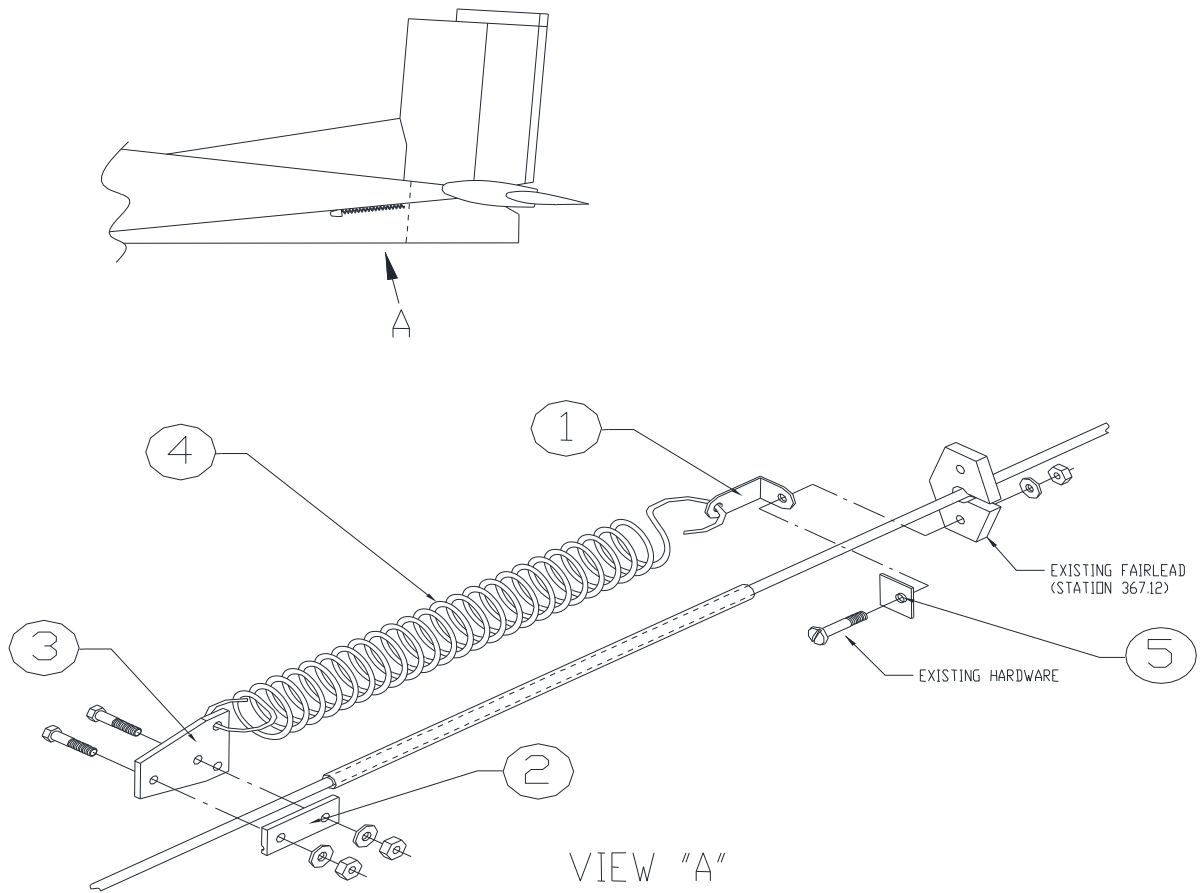
INSTALLATION, MISC FUSELAGE ITEMS (CONT.)

FIGURE 13

WIPLINE MODEL 6100 FLOAT PARTS MANUAL

ITEM	QTY	FIGURE 13: MISC. FUSELAGE ITEMS PART DESCRIPTION	PART NO.
1	48	VORTEX GENERATOR	6P12150-118
2	24	VORTEX GENERATOR	6P12150-118
3	1	ASS'Y., VENTRAL FIN	6P12000-019
	36	SCREW	AN526-10R10
	2	NUTPLATE	MS2106103N
	32	NUTPLATE	MS21059L03N
	2	NUTPLATE (Install on 1005371 Doubler)	MS21075L03N
		(longer screws AN526-10R16 and smaller NAS1149F0363P washers may be necessary at various locations)	
4	1	AILERON FENCE, TOP L/H	6P12158-155
	1	AILERON FENCE, TOP R/H	6P12158-156
	A/R	RIVET, CHERRY	CR3213-4-2
5	1	AILERON FENCE, LOWER L/H	6P12158-153
	1	AILERON FENCE, LOWER R/H	6P12158-154
	A/R	RIVET, CHERRY	CR3213-4-2
6	4	VORTEX GENERATOR	6P12562-002
7	4	ENERGIZERS	6P12000-020
8	4	ANGLE, UPPER, LEFT	6P12340-091
	4	RIVET	CR3213-4
9	4	ANGLE UPPER, RIGHT	6P12340-092
	4	RIVET	CR3213-4
10	4	ANGLE, LOWER, LEFT	6P12340-093
	4	RIVET	CR3213-4
11	4	ANGLE, LOWER, RIGHT	6P12340-094
	4	RIVET	CR3213-4

WIPLINE MODEL 6100 FLOAT PARTS MANUAL



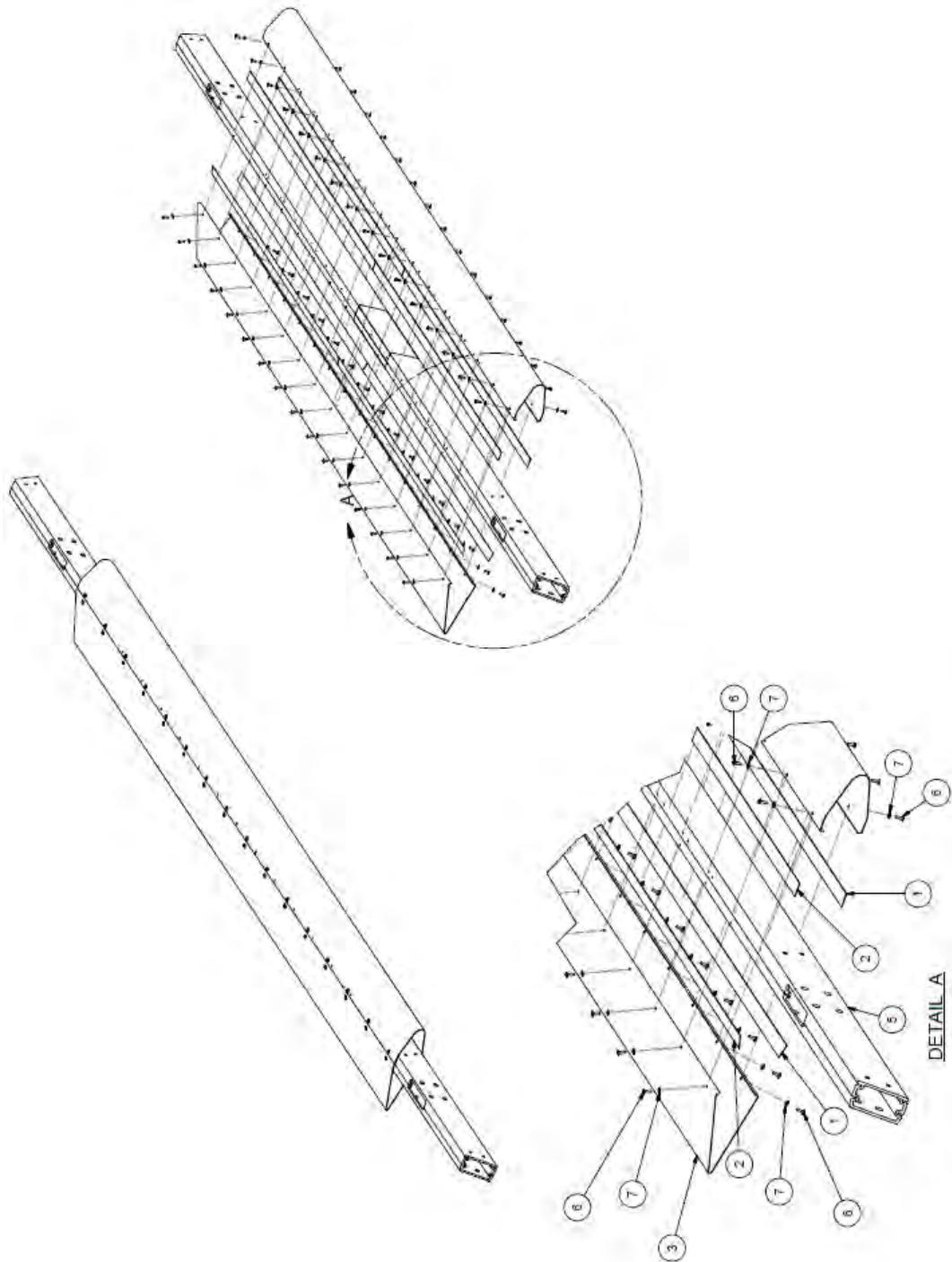
INSTALLATION, ELEVATOR TENSION SPRING

FIGURE 14

ITEM	QTY	FIGURE 14: ELEVATOR TENSION SPRING PART DESCRIPTION	PART NO.
1	1	ANGLE, ELEVATOR DIV. SPRING, ATTACH	6P12162-018
2	1	CLAMP-ELEVATOR, FEEL SPRING	13A12001-034
3	1	CLAMP-ELEVATOR, FEEL SPRING	1005381
	2	BOLT	AN3-5A
	2	WASHER	NAS1149F00363P
	2	NUT	MS21044N3
4	1	SPRING	6P12563-001
5	1	ANGLE, SUPPORT DIV. SPRING, ATTACH	6P12156-111

THIS PAGE INTENTIONALLY LEFT BLANK

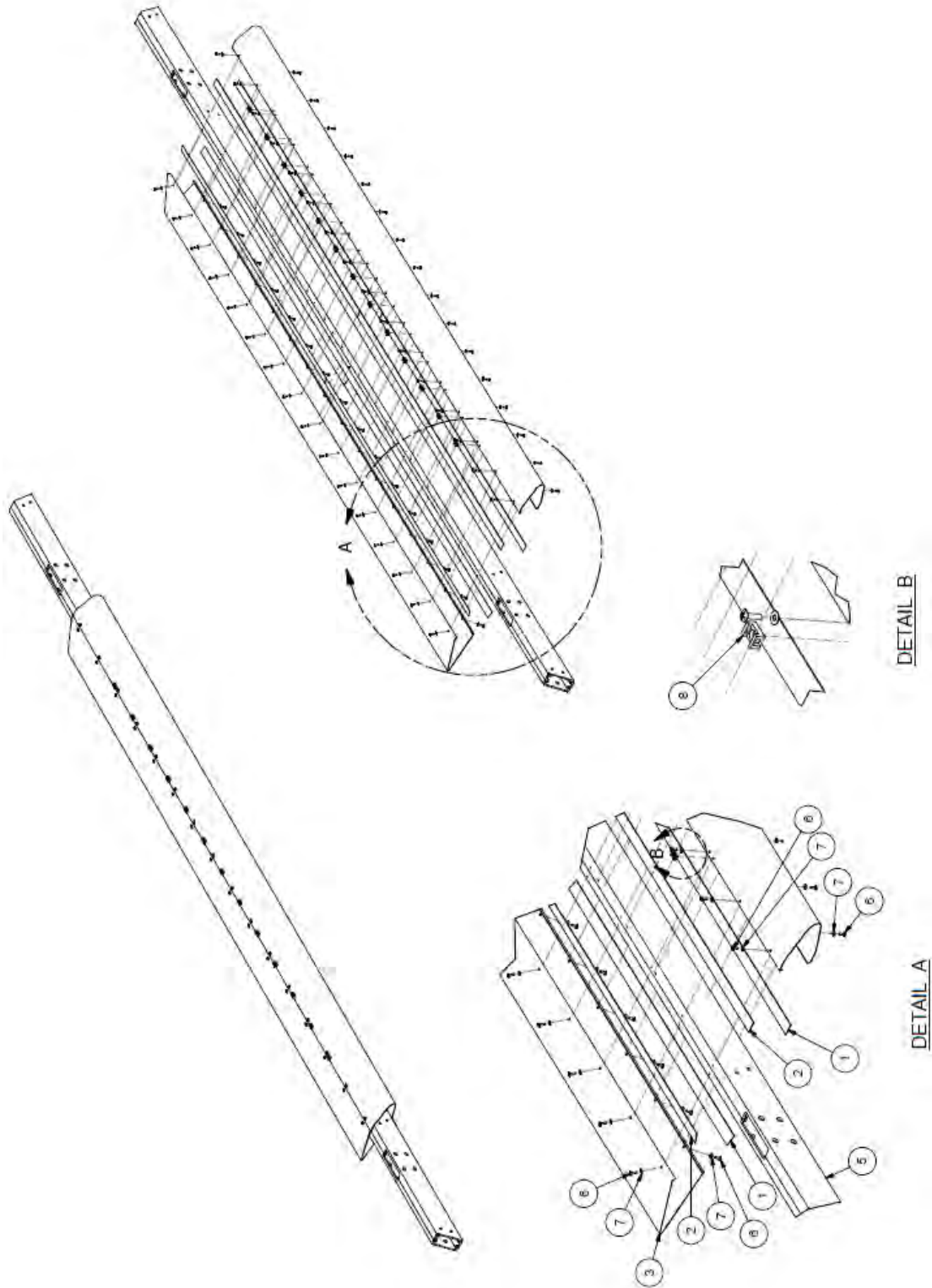
SECTION 11: INSTALLATION AND ASSEMBLY – SPREADER BAR



INSTALLATION AND ASSEMBY - SPREADER BAR, AFT
FIGURE 15

WIPLINE MODEL 6100 FLOAT PARTS MANUAL

FIGURE 15: SPREADER BAR ASS'Y, AFT			
ITEM	QTY	PART DESCRIPTION	PART NO.
		ASSY., SPR. BAR WITH FAIRINGS, AFT	6A03000-007
1	4	FILLER STRIP, FAIRING, BOTTOM	1005583
2	4	FILLER STRIP, FAIRING	6A03005-179
3	1	FAIRING, SPREADER BAR REAR	6A03158-028
4	1	FAIRING, SPREADER BAR FRONT	6A03158-029
5	1	SPREADER BAR	6A03358-001
6	64	SCREW, MACHINE, TRUSS HEAD	AN526C632R8
7	64	WASHER	NAS1149FN616P



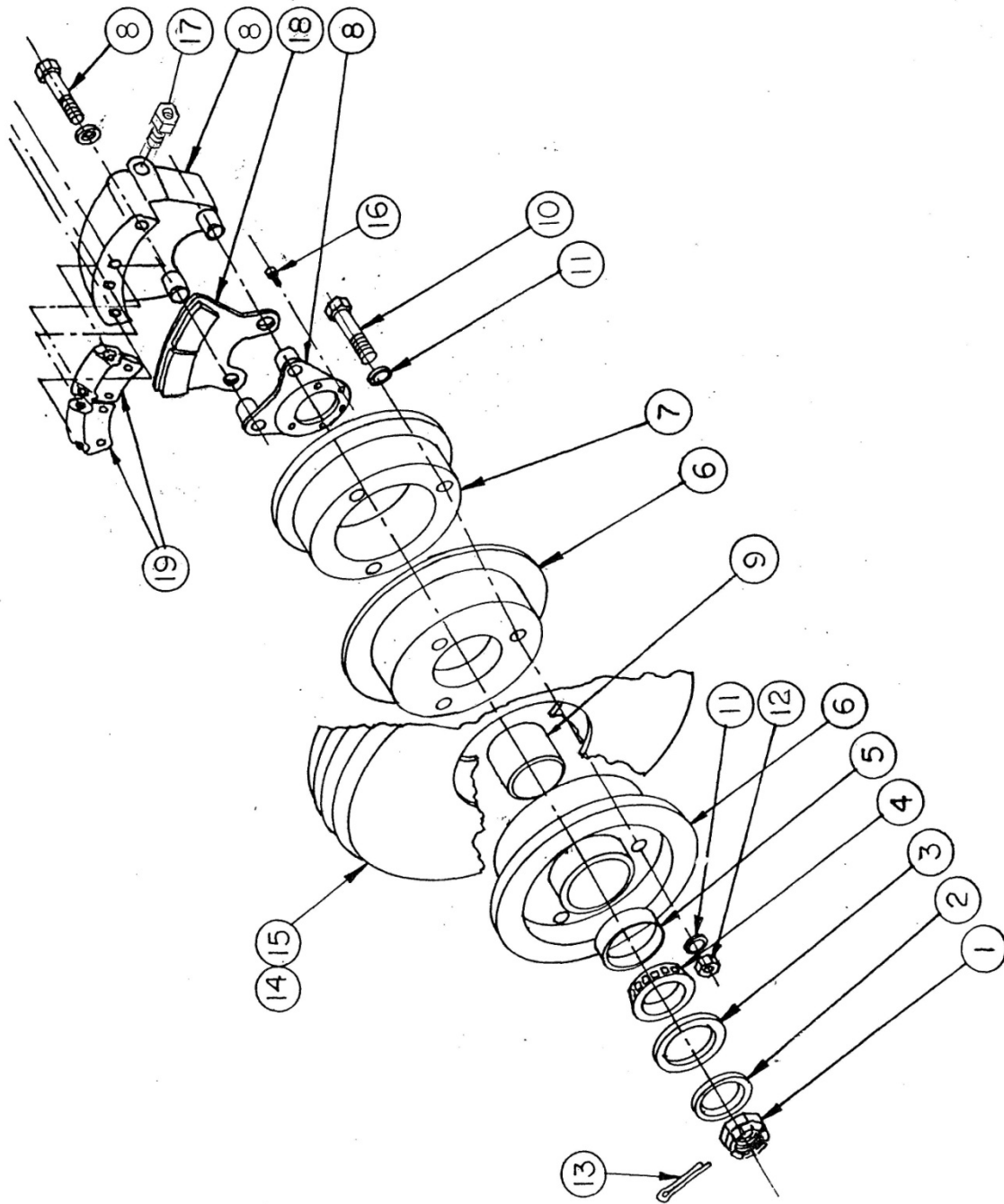
INSTALLATION AND ASSEMBLY - SPREADER BAR, FWD
FIGURE 15A

WIPLINE MODEL 6100 FLOAT PARTS MANUAL

FIGURE 15A: SPREADER BAR ASS'Y, FWD			
ITEM	QTY	PART DESCRIPTION	PART NO.
		ASSY., SPR. BAR WITH FAIRINGS, FWD	6A03000-024
1	4	FILLER STRIP, FAIRING, BOTTOM	1005583
2	4	FILLER STRIP, FAIRING	6A03005-179
3	1	FAIRING, SPREADER BAR REAR	6A03158-028
4	1	FAIRING, SPREADER BAR FRONT	6A03158-029
5	1	SPREADER BAR	6A03358-001
6	64	SCREW, MACHINE, TRUSS HEAD	AN526C632R8
7	64	WASHER	NAS1149FN616P
8	13	TIE CLIP	TM256-M

THIS PAGE INTENTIONALLY LEFT BLANK

SECTION 12: MAIN GEAR WHEEL ASSEMBLY



MCCAULEY MANUFACTURED MAIN GEAR WHEEL ASS'Y

FIGURE 16

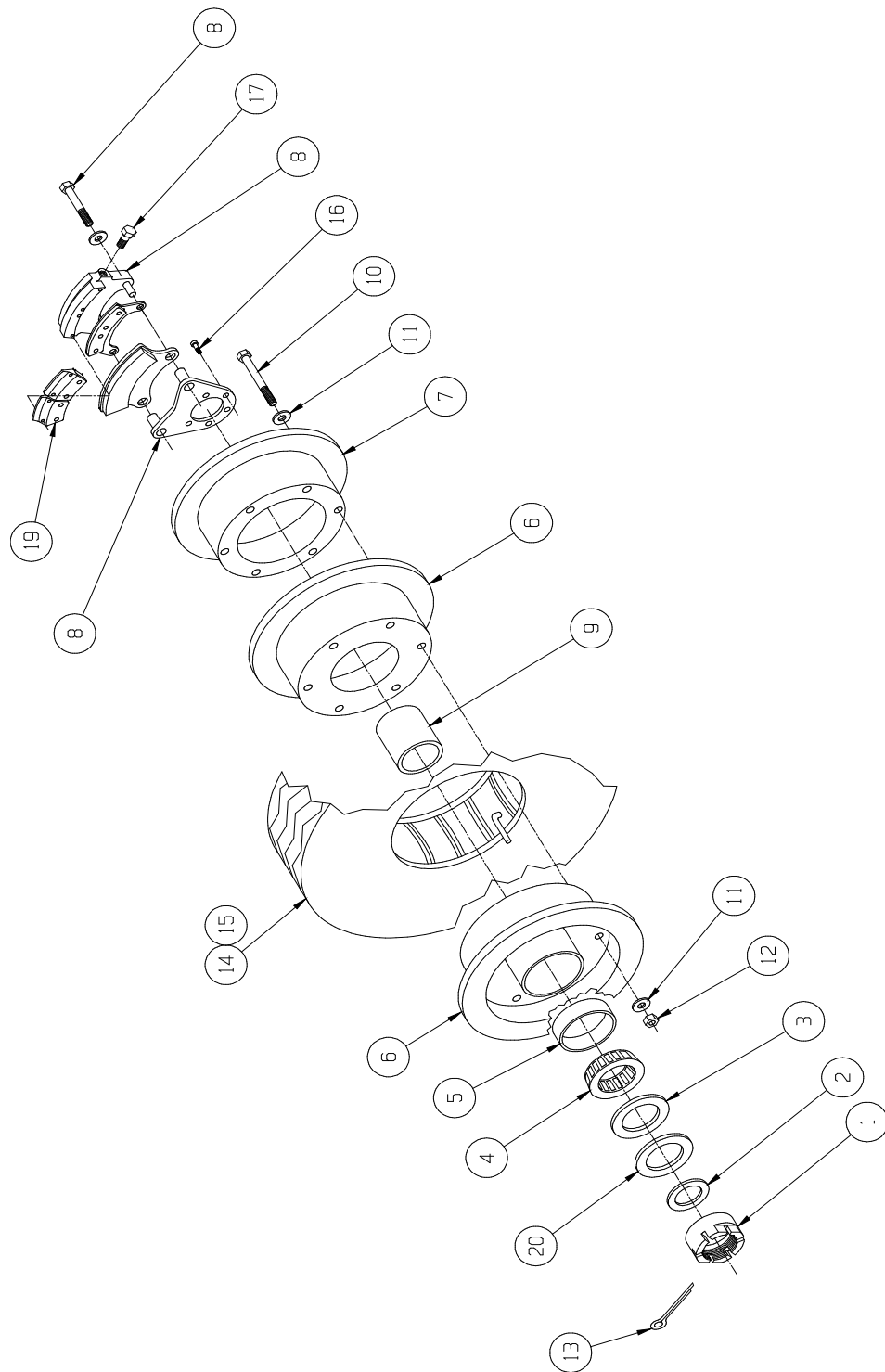
WIPLINE MODEL 6100 FLOAT PARTS MANUAL

ITEM	QTY	FIGURE 16: MCCAULEY MANUF. MAIN GEAR WHEEL ASS'Y PART DESCRIPTION	PART NO.
1	1	NUT, AXLE	MS21025-024
2	1	SPAER, MAIN GEAR AXLE	6A04093-002
3	1	SEAL, OUTSIDE	472439
	1	SEAL, INSIDE	473232
4	2	BEARING CONE, INSIDE AND OUTSIDE	LM29749
	2	BEARING CONE, CHROME PLATED (OPT.)	LM29749CP
5	2	BEARING CUP, INSIDE AND OUTSIDE	LM29710
	2	BEARING CUP, CHROME PLATED (OPT.)	LM29710CP
6	1	ASS'Y., WHEEL, COMPLETE	D-30660-05 (40-418)
7	1	BRAKE, DISC	164-30615-3
8	1	ASS'Y., BRAKE, COMPLETE LT.	D-30793-3 (30-241)
	1	ASS'Y., BRAKE, COMPLETE RT.	D-30793-4 (30-241)
	1	BRAKE, TORQUE PLATE	075-30107-1
	1	BRAKE, TORQUE PLATE	075-30107-2
	4	BRAKE PADS	066-30026
	8	RIVETS	105-00200
	4	BOLTS (FOR PADS)	AN4H21A
	2	O-RING CYLINDER	MS28775-222
	1	PRESSURE PLATE	073-30113
	2	BACK PLATE WITH LINING	074-30027
	1	BLEEDER FITTING	081-30169
	1	BLEEDER	079-00300
	1	BLEEDER CAP	183-00100
	2	PISTON	062-30161
	2	PISTON O-RING	MS28775-222
	1	O-RING RETAINER	MS28775-011
9	1	GREASE RETAINER	6A04616-002
10	3	BOLT, WHEEL HALF	AN5-37A
11	6	WASHER	NAS1149F0532P
12	3	NUT	MS21044N5

WIPLINE MODEL 6100 FLOAT PARTS MANUAL

FIGURE 16: MCCAULEY MANUF. MAIN GEAR WHEEL ASS'Y			
ITEM	QTY	PART DESCRIPTION	PART NO.
13	1	COTTER PIN	MS24665-353
14	1	TIRE 6:00 X 6 8 PLY (TYPE III)	AA1E6
15	1	TUBE	XA1AD
16	2	CAP SCREW	MS16997-96
	2	CAP SCREW	MS16997-77
17	1	ADAPTOR, BRAKE LINE	6A04258-004
	1	FITTING, (45 DEG.)	MS20823-4D
	1	O-RING	MS28775-011
18	1	PRESSURE PLATES WITH PADS	073-30113
19	2	BACK PLATES WITH PADS	074-30027

THIS PAGE INTENTIONALLY LEFT BLANK



CLEVELAND/PARKER MANUFACTURED MAIN GEAR WHEEL ASS'Y
FIGURE 16A

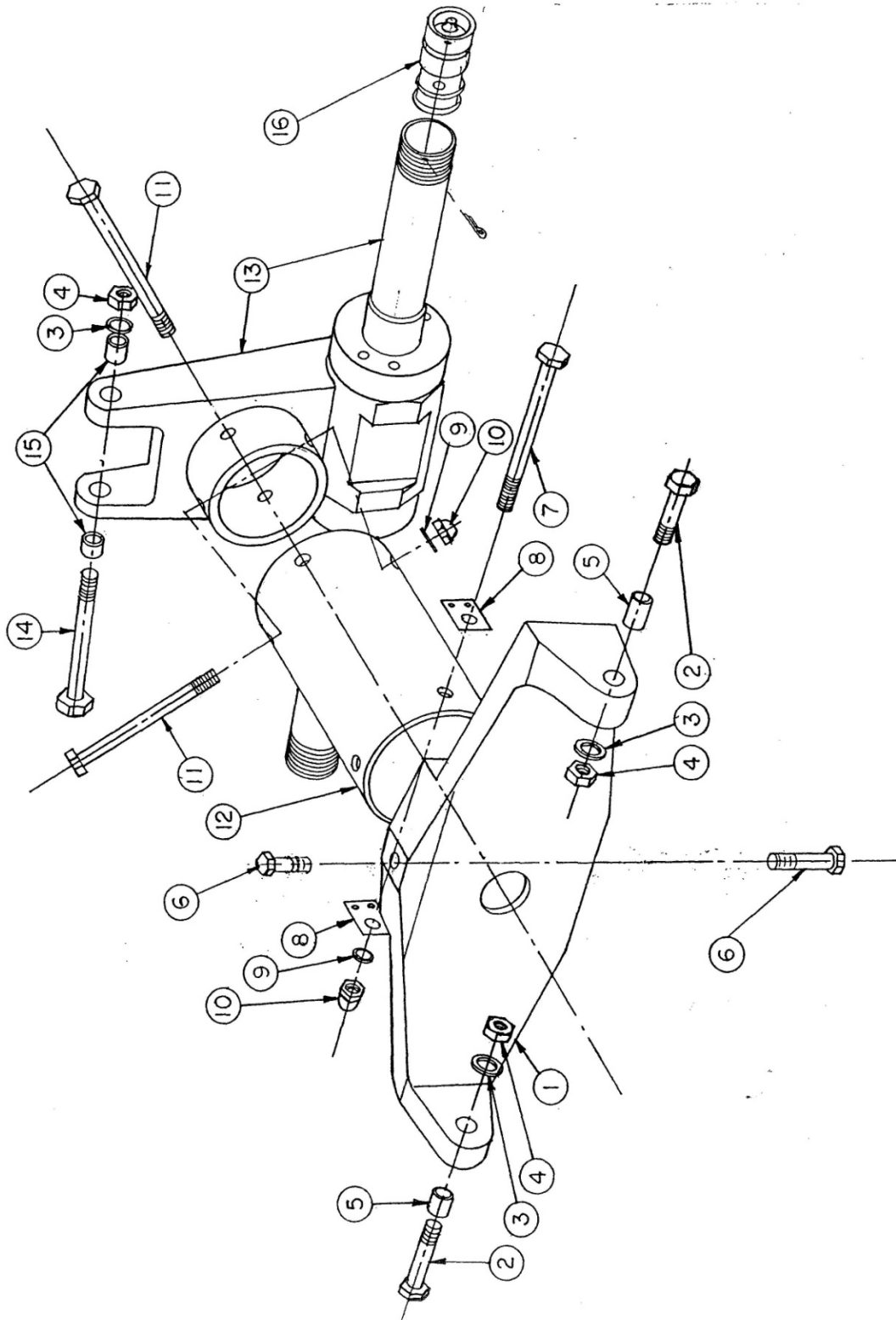
WIPLINE MODEL 6100 FLOAT PARTS MANUAL

ITEM	QTY	FIGURE 16A: CLEVELAND/PARKER MANUF. MAIN GEAR WHEEL ASS'Y PART DESCRIPTION	PART NO.
	4	WHEEL ASS'Y W/ TIRE & TUBE (per float)	8A04000-031
1	1	NUT-AXLE	MS21025-24
2	2	RING-WHEEL RETAINER	6A04093-002
3	1	SEAL-OUTSIDE (DRILL # 50 HOLE, OUTSIDE FACE)	472439
	1	SEAL-INSIDE	473232
4	2	BEARING-CONE (CLEVELAND)	13889
5	2	BEARING-CUP (CLEVELAND)	13836
6	4	WHEEL ASSEMBLY-COMPLETE (CLEVELAND)	40-418
		WHEEL ASSEMBLY COMPLETE (WITH CHROME BRAKE DISC)	40-418-3
7	1	BRAKE DISC	164-24500
		BRAKE DISC, CHROME PLATED	164-24501
8	4	BRAKE ASSEMBLY- COMPLETE	30-241
	2	BRAKE ASSEMBLY-COMPLETE (RIGHT)	6A04000-104
	2	BRAKE ASSEMBLY-COMPLETE (LEFT)	6A04000-105
	1	BRAKE TORQUE PLATE	075-20700
	2	BUSHING	145-01000
	4	BRAKE PADS (ONLY)(NEW STYLE)	066-10500
		OLD STYLE BRAKE PADS	066-30026
	4	BOLTS (BRAKE PADS)	MS21250HO4026
	4	BRAKE PAD BOLT WASHERS	MS20002CH
	8	RIVETS (BRAKE PADS)	105-00200
	1	BLEEDER SEAT	081-00200
	1	BLEEDER SCREW	079-00300
	1	BLEEDER CAP	183-00100
	2	ANCHOR BOLT	069-03100
	2	PISTON	062-10700
	2	"O" RING PISTON	MS28775-222
	1	"O" RING BLEEDER	MS28775-012
9	1	RETAINER-GREASE	067-14700

WIPLINE MODEL 6100 FLOAT PARTS MANUAL

ITEM	QTY	FIGURE 16A: CLEVELAND/PARKER MANUF. MAIN GEAR WHEEL ASS'Y PART DESCRIPTION	PART NO.
10	6	BOLT-WHEEL HALF	AN5-35A
11	12	WASHER	NAS1149D0563J
12	6	NUT	MS21042-5
13	1	COTTER PIN	MS24665-353
14	1	TIRE-6:00 X 6 8 PLY (TYPE III)	AA1E6
15	1	TUBE	XA1AD
16	2	CAP SCREW	MS16997-96
	2	CAP SCREW	MS16997-77
17	2	FITTING	104-04700
	1	"O" RING	MS28775-011
18	2	PRESSURE PLATE (WITH/PADS)	073-04200
19	4	BACK PLATE (W/PADS)	074-02900
20	2	SNAP RING	155-14300

SECTION 13: MAIN GEAR AXLE ASSEMBLY



MAIN GEAR AXLE ASS'Y

FIGURE 17

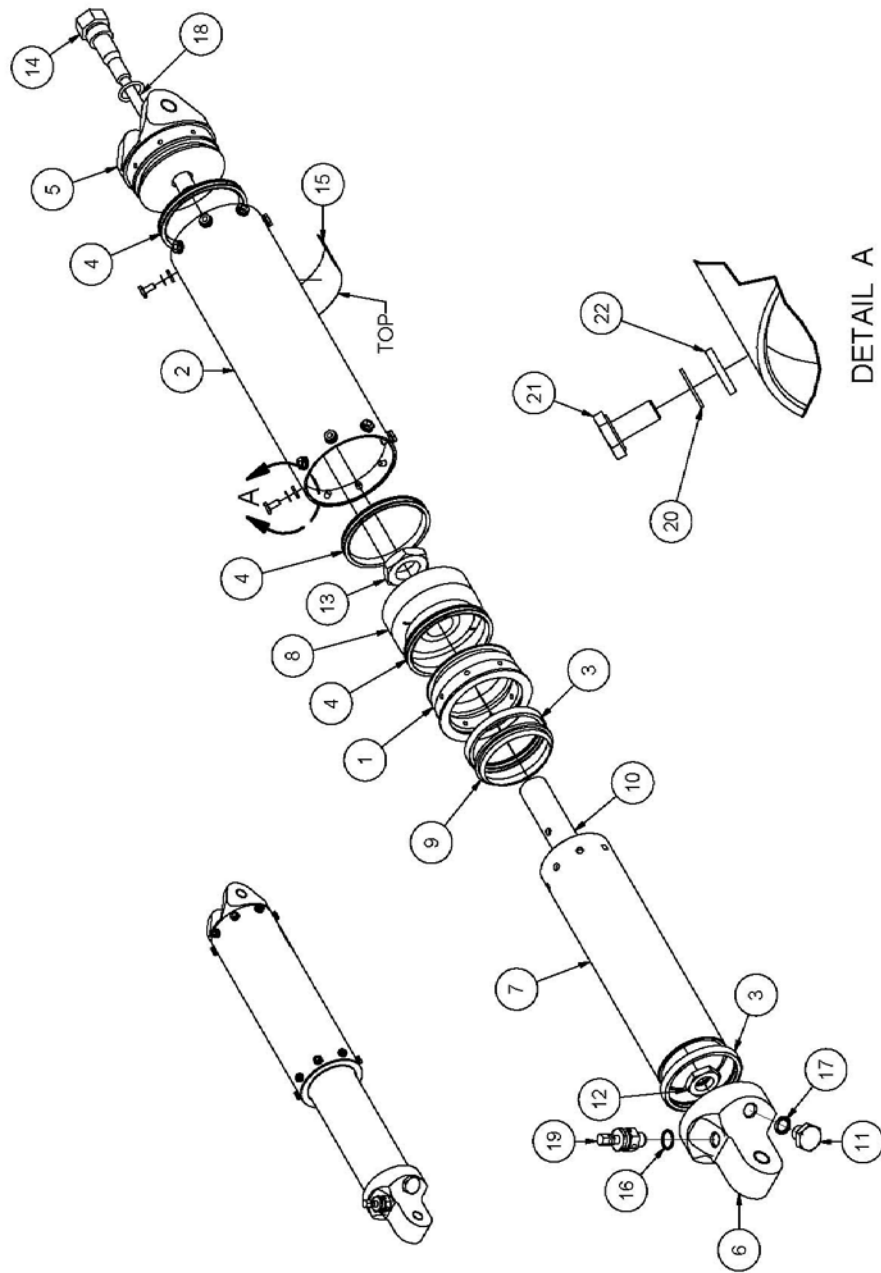
WIPLINE MODEL 6100 FLOAT PARTS MANUAL

ITEM	QTY	FIGURE 17: MAIN GEAR AXLE ASS'Y PART DESCRIPTION	PART NO.
	1	ASS'Y., MAIN GEAR AXLE	6A04000-015
1	1	DRAG BRCE (FACTORY REPLACE ONLY)	6A04311-001
2	2	BOLT	AN8-24A
3	2	WASHER	NAS1149D0863J
4	3	NUT	MS21044N8
5	2	BEARING	08DU12
6	2	BOLT	AN6-13A
7	1	BOLT	AN6-46A
8	2	CLIP, BRAKE LINE	6A04008-024
9	8	WASHER	NAS1149D0663J
	2	WASHER	NAS1149D0616J
10	5	NUT	MS21044N6
11	2	BOLT	AN6-43A
12	1	TUBE, DRAG LINK (FACTORY REPLACE ONLY)	6A04297-001
13	1	ASS'Y, AXLE (FACTORY REPLACE ONLY)	6A04000-016
		NOTE: MAIN GEAR AXLE NOT AVAILABLE – CAN BE REPLACED ONSITE AT WIPAIRE	6A04510-001
14	1	BOLT	AN8-42A
15	2	BEARING	08DU08
16	1	INSERT, AXLE GREASE (1.150 DIA.)	6A04263-002
	2	O-RING	MS28775-213
	1	GREASE ZERK	1095K41
	1	INSERT, AXLE GREASE (1.230 DIA.)	6A04263-003
	2	O-RING	MS28775-214
	1	GREASE ZERK	1095K41
	1	INSERT, AXLE GREASE (1.020 DIA.)	6A04263-004

WIPLINE MODEL 6100 FLOAT PARTS MANUAL

ITEM	QTY	FIGURE 17: MAIN GEAR AXLE ASS'Y PART DESCRIPTION	PART NO.
	2	O-RING	MS28775-210
	1	GREASE ZERK	1095K41

SECTION 14: OLEO SHOCK STRUT ASSEMBLY

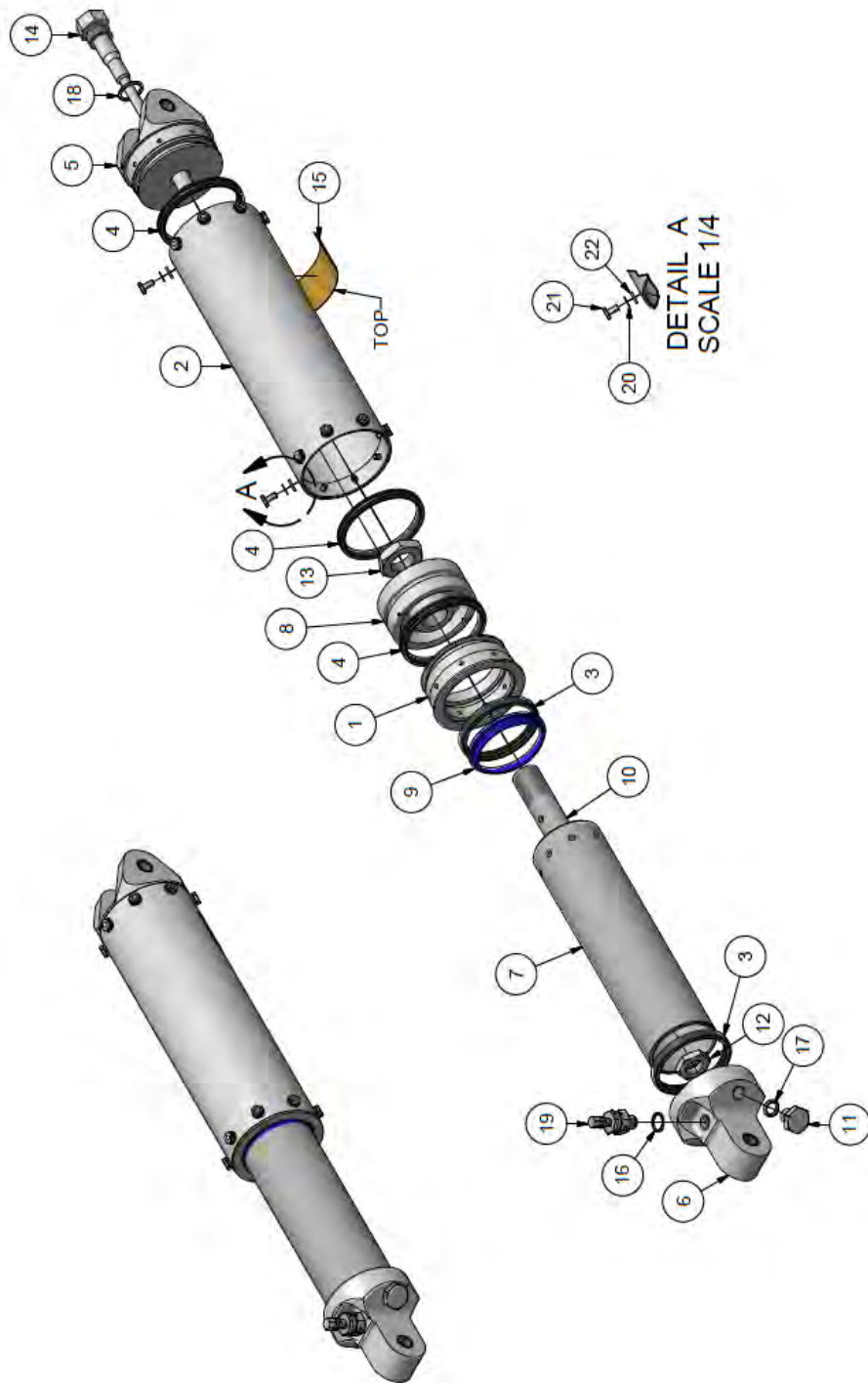


OLEO SHOCK STRUT ASS'Y (T-SEALS INSTALLED

FIGURE 18

WIPLINE MODEL 6100 FLOAT PARTS MANUAL

ITEM	QTY	FIGURE 18: OLEO SHOCK STRUT ASS'Y (T-SEALS) PART DESCRIPTION	PART NO.
	1	ASS'Y, OLEO SHOCK STRUT	1002068
1	1	GLAND - OUTER CYL - SHOCK STRUT	1002017
2	1	CYLINDER, OUTER, SHOCK STRUT, 6100	1002018
3	2	ROD, T-SEAL	1002027
4	3	T-SEAL	1002028
5	1	CAP, END, SHOCK STRUT, W/BUSHINGS	1002650
6	1	CAP, TOP, SHOCK STRUT, W/BUSHINGS	1002651
7	1	CYLINDER, INNER, SHOCK STRUT, 6100	1002653
8	1	PISTON, SHOCK STRUT, 8000	1002654
9	1	WIPER, SHOCK STRUT, 8000, T-SEAL	1005861
10	1	ROD - PISTON, SHOCK STRUT	6A04270-001
11	1	PLUG SHOCK STRUT	6A04271-003
12	1	NUT, CHECK, SHOCK STRUT	6A04275-001
13	1	NUT, CHECK, SHOCK STRUT	6A04276-001
14	1	PIN - METERING	6P04261-007
15	1	PLACARD, HYDRAULIC CYLINDER	8A3-5086
16	1	"O" RING	MS28775-015
17	1	"O" RING	MS28775-111
18	1	"O" RING	MS28775-116
19	1	VALVE	MS28889-2
20	16	STAR WASHER	MS35333-39
21	16	BOLT	NAS1103-2
22	16	WASHER	NAS1149D0363J



OLEO SHOCK STRUT ASS'Y (O-RINGS INSTALLED)

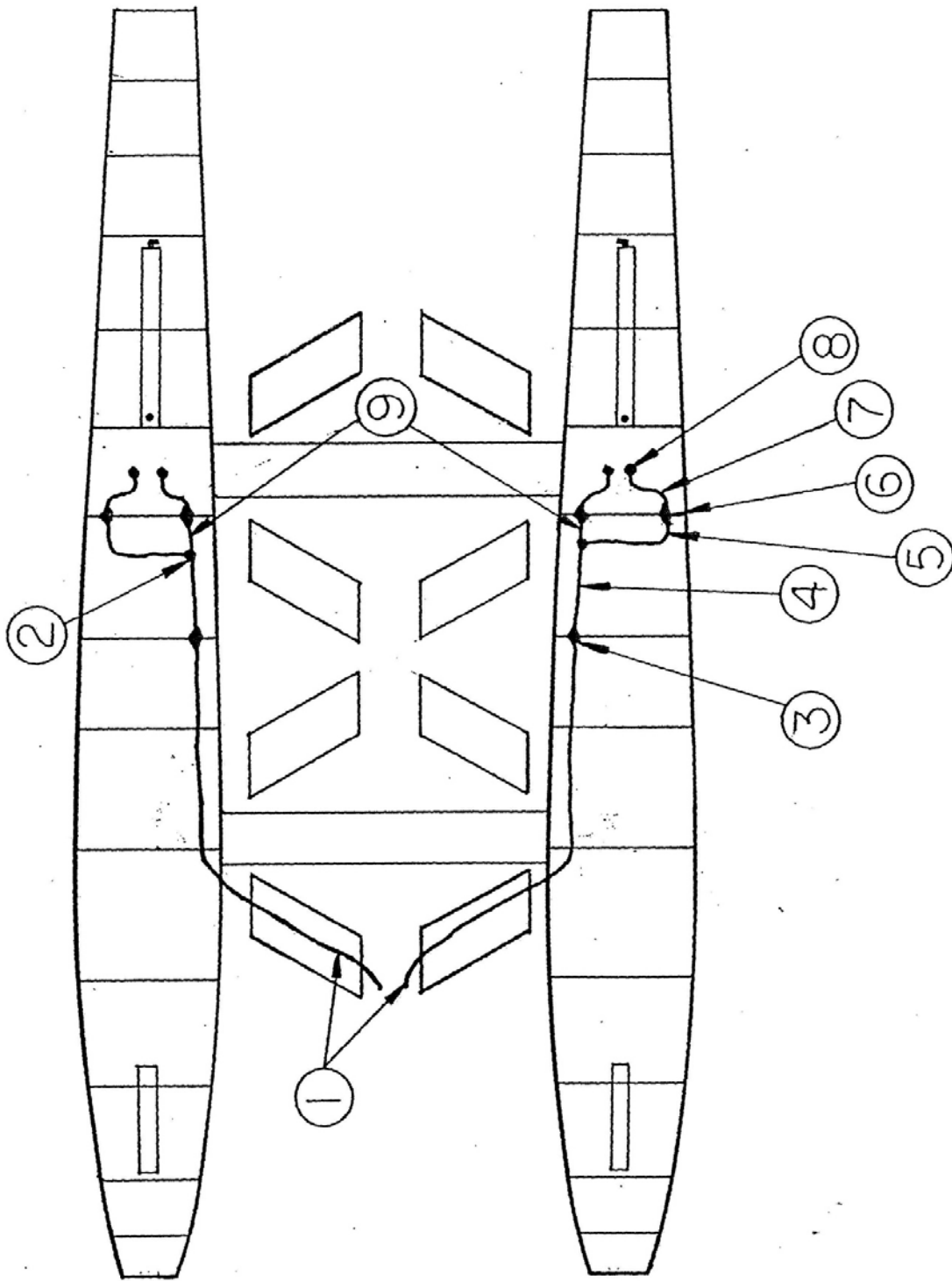
FIGURE 18A

WIPLINE MODEL 6100 FLOAT PARTS MANUAL

FIGURE 18A: OLEO SHOCK STRUT ASS'Y (O-RINGS)			
ITEM	QTY	PART DESCRIPTION	PART NO.
	1	ASS'Y., OLEO SHOCK STRUT	1002068
1	1	GLAND - OUTER CYL - SHOCK STRUT	1002017
2	1	CYLINDER, OUTER, SHOCK STRUT, 6100	1002018
3	2	ROD, T-SEAL	1002027
4	3	T-SEAL	1002028
5	1	CAP, END, SHOCK STRUT, W/BUSHINGS	1002650
6	1	CAP, TOP, SHOCK STRUT, W/BUSHINGS	1002651
7	1	CYLINDER, INNER, SHOCK STRUT, 6100	1002653
8	1	PISTON, SHOCK STRUT, 8000	1002654
9	1	WIPER, SHOCK STRUT, 8000, T-SEAL	1005861
10	1	ROD - PISTON, SHOCK STRUT	6A04270-001
11	1	PLUG SHOCK STRUT	6A04271-003
12	1	NUT, CHECK, SHOCK STRUT	6A04275-001
13	1	NUT, CHECK, SHOCK STRUT	6A04276-001
14	1	PIN - METERING	6P04261-007
15	1	PLACARD, HYDRAULIC CYLINDER	8A3-5086
16	1	"O" RING	MS28775-015
17	1	"O" RING	MS28775-111
18	1	"O" RING	MS28775-116
19	1	VALVE	MS28889-2
20	16	STAR WASHER	MS35333-39
21	16	BOLT	NAS1103-2
22	16	WASHER	NAS1149D0363J

THIS PAGE INTENTIONALLY LEFT BLANK

SECTION 15: HYDRAULIC BRAKE SCHEMATIC



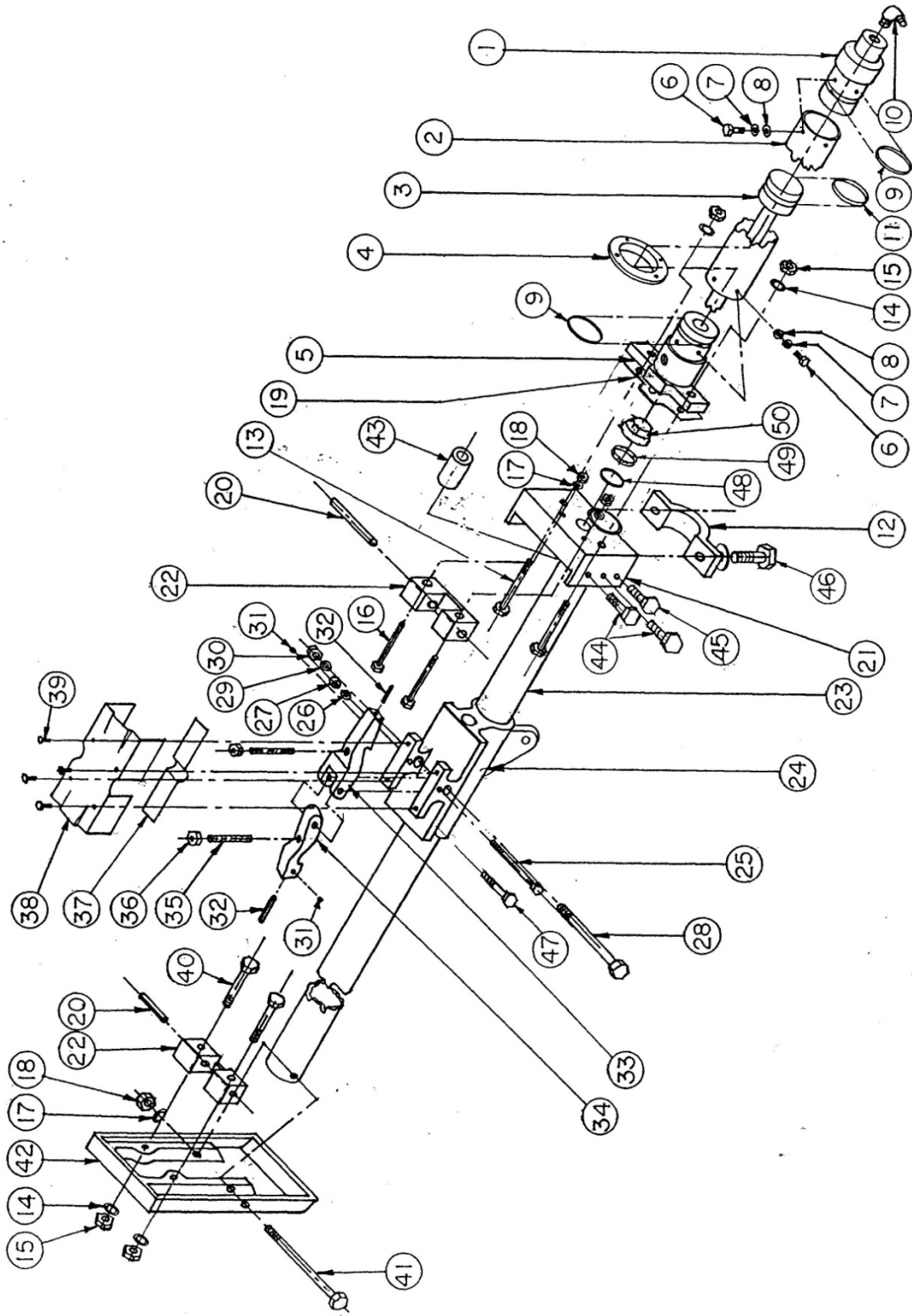
HYDRAULIC BRAKE SCHEMATIC
FIGURE 19

WIPLINE MODEL 6100 FLOAT PARTS MANUAL

ITEM	QTY	FIGURE 19: HYDRAULIC BRAKE SCHEMATIC PART DESCRIPTION	PART NO.
1	2	ASS'Y., BRAKE LINE, FRONT STRUT	6A04000-023
	1	LINE, AEROQUIP (83")	2807-4
	2	FTG., AEROQUIP	63-190600-4
2	2	TEE	AN824-4D
3	2	FTG., BULK.	AN832-4D
	2	WASHER	NAS1149D0863J
	2	NUT	AN924-4D
4	2	ASS'Y., BRAKE LINE (34")	6A04000-024
	2	LINE-ALUMINUM	.035 X ¼ X 34"
	4	SLEEVE	MS20819-4D
	4	NUT	AN818-4D
5	2	ASS'Y., BRAKE LINE (20.75")	6A04000-25
	2	LINE-ALUMINUM	.035 X ¼ X 20.75"
	4	SLEEVE	MS20819-4D
	4	NUT	AN818-4D
6	4	FTG., BULK.	AN832-4D
	4	WASHER	NAS1149D0863J
	4	NUT	AN924-4D
7	4	ASS'Y., BRAKE LINE	6A04000-026
	1	LINE, AEROQUIP (14")	2807-4
	2	FITTING, AEROQUIP	63-190600-4
8	2	ELBOW (45 Deg.)	MS20823-4D
	2	ADAPTOR	6A04258-04
9	2	ASS'Y., BRAKE LINE (5.25")	6A04000-027
	2	LINE-ALUMINUM	.035 X ¼ X 5.25"
	4	SLEEVE	MS20819-4D
	4	NUT	AN818-4D
10	2	GROMMET	MS35489-9

THIS PAGE INTENTIONALLY LEFT BLANK

SECTION 16: MAIN GEAR SLIDE TUBE ASSEMBLY



MAIN GEAR SLIDE TUBE ASS'Y (O-RINGS INSTALLED)
FIGURE 20

WIPLINE MODEL 6100 FLOAT PARTS MANUAL

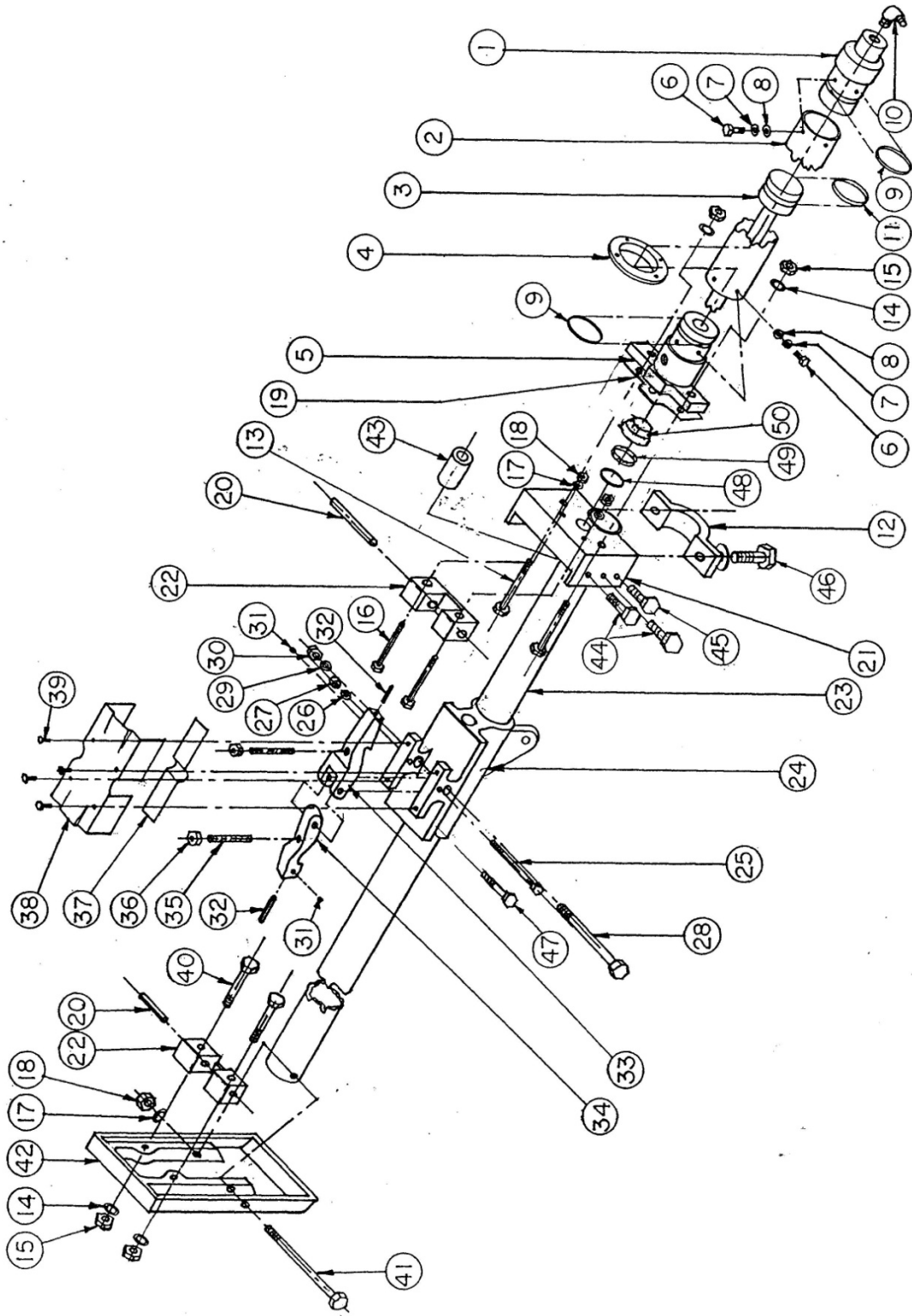
FIGURE 20: MAIN GEAR SLIDE TUBE ASS'Y (O-RINGS)			
ITEM	QTY	PART DESCRIPTION	PART NO.
1	1	CYLINDER END CAP ASS'Y.	6A05268-001
2	1	CYLINDER, OUTSIDE	6A05116-001
3	1	ASS'Y., RAM	6A05000-006
4	1	RING CYLINDER, SUPPORT	6A05181-001
	1	"O" RING	MS28775-327
5	1	FLANGE CYLINDER, END ASS'Y.	6A05199-001
6	8	BOLT	NAS6203-2
7	8	WASHER, LOCK	MS35333-39
8	8	WASHER	NAS1149D0363J
9	2	"O"RING	MS28775-220
10	2	ELBOW	MS20822-4D
11	1	"O"RING	MS28775-219
12	1	SLIDE TUBE CAP	6A05196-001
13	2	BOLT	AN6-12A
14	A/R	WASHER	NAS1149D0663J
15	6	NUT	MS21044N6
16	2	BOLT	AN4-24A
17	AR	WASHER	NAS1149D0463J
18	4	NUT	MS21044N4
19	AR	SHIM	6A05156-026
20	2	LOCK PIN	6A05702-008

WIPLINE MODEL 6100 FLOAT PARTS MANUAL

FIGURE 20: MAIN GEAR SLIDE TUBE ASS'Y (O-RINGS)			
ITEM	QTY	PART DESCRIPTION	PART NO.
21	1	FITTING, SLIDE TUBE	6A05208-001
22	2	LOCK CATCH	6A05193-001
23	1	SLIDE	6A05402-003
	1	END, SLIDE TUBE, INSERT	6A05259-002
24	1	CARRIAGEN COMPLETE WITH HOOKS	6A05309-001
	1	CARRIAGE WITH BUSHINGS ONLY	1002642
	2	BUSHING (LG.)	26DU16
	2	BUSHING (SM.)	08DU08
	1	GREASE ZERK	1095K41
25	1	BOLT	AN3-25A
26	A/R	WASHER	NAS1149D0363J
27	1	NUT	MS21044N3
28	1	BOLT	AN6-26A
29	A/R	WASHER	NAS1149D0663J
30	1	NUT	MS21044N6
31	2	SET SCREW	1032 NF x 3/16
32	2	MAGNET	3A05701-001
33	1	LOCK AFT.	6A05042-001
34	1	LOCK FWD.	6A05041-001
35	2	SET SCREW	6A05087-001
36	2	JAM NUT	AN316-4R
37	1	SPRING LOCK	6A05533-001
38	1	COVER CARRIAGE	6A05158-019

WIPLINE MODEL 6100 FLOAT PARTS MANUAL

FIGURE 20: MAIN GEAR SLIDE TUBE ASS'Y (O-RINGS)			
ITEM	QTY	PART DESCRIPTION	PART NO.
39	4	SCREW	AN526-832R8
	4	WASHER, LOCK	MS35333-38
	4	WASHER	NAS1149DN832J
40	2	BOLT	AN4-24A
41	1	BOLT	AN6-47A
42	1	TUNNEL CAP	6A01201-001
43	1	END, SLIDE TUBE	6A05259-002
44	4	BOLT	AN5-6A
	A/R	WASHER	NAS1149D0563J
	4	NUT	MS21044N5
45	2	BOLT	AN6-7A
	A/R	WASHER	NAS1149D0663J
	2	NUT	MS21044N6
46	2	BOLT	AN5H10A
	A/R	WASHER	NAS1149D0563J
47	1	BOLT	AN4-14A
	A/R	WASHER	NAS1149D0463J
	1	NUT	MS21044N4
48	1	"O" RING	MS28775-314
49	1	WIPER, FELT	6A05580-004
50	1	WIPER, NYLON	8880410



MAIN GEAR SLIDE TUBE ASS'Y (T-SEALS INSTALLED)
FIGURE 20A

WIPLINE MODEL 6100 FLOAT PARTS MANUAL

FIGURE 20A: MAIN GEAR SLIDE TUBE ASS'Y (T-SEALS)			
ITEM	QTY	PART DESCRIPTION	PART NO.
1	1	CYLINDER, END CAP	1002236
2	1	CYLINDER, OUTSIDE	1002022
3	1	ASS'Y., RAM	1002639
4	1	RING, CYLINDER SUPPORT	6A05181-001
	1	"O" RING	MS28775-327
5	1	FLANGE, CYLINDER, END	1002235
6	8	BOLT	NAS6203-2
7	8	WASHER, LOCK	MS35333-39
8	8	WASHER	NAS1149D0363J
9	2	T-SEAL	1002229
10	2	ELBOW	MS20822-4D
11	1	T-SEAL	1002229
12	1	SLIDE TUBE CAP	6A05196-001
13	2	BOLT	AN6-12A
14	A/R	WASHER	NAS1149D0663J
15	6	NUT	MS21044N6
16	2	BOLT	AN4-24A
17	AR	WASHER	NAS1149D0463J
18	4	NUT	MS21044N4
19	AR	SHIM	6A05158-020
20	2	LOCK PIN	6A05702-008

WIPLINE MODEL 6100 FLOAT PARTS MANUAL

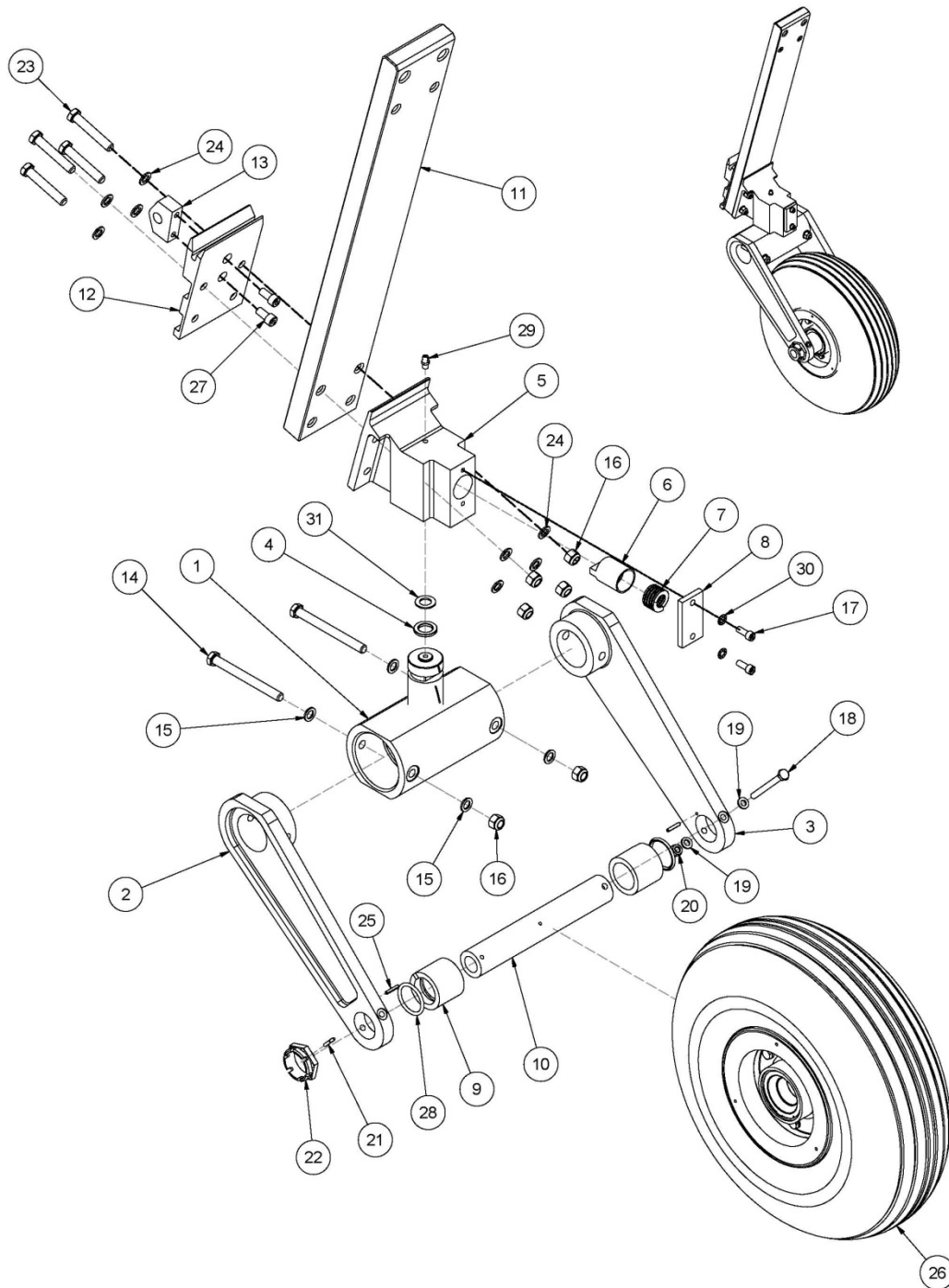
FIGURE 20A: MAIN GEAR SLIDE TUBE ASS'Y (T-SEALS)			
ITEM	QTY	PART DESCRIPTION	PART NO.
21	1	FITTING, SLIDE TUBE	6A05208-001
22	2	LOCK CATCH	6A05193-001
23	1	SLIDE TUBE	6A05402-003
	1	END, SLIDE TUBE, INSERT	6A05259-002
24	1	CARRIAGE	1002643
	2	BUSHING (Lg.)	26DU16
	2	BUSHING (Sm.)	08DU08
	1	GREASE ZERK	1095K41
25	1	BOLT	AN3-25A
26	A/R	WASHER	NAS1149D0363J
27	1	NUT	MS21044N3
28	1	BOLT	AN6-26A
29	A/R	WASHER	NAS1149D0663J
30	1	NUT	MS21044N6
31	2	SET SCREW	1032 NF x 3/16
32	2	MAGNET	3A05701-001
33	1	LOCK AFT.	6A05042-001
34	1	LOCK FWD.	6A05041-001
35	2	SET SCREW	6A05087-001
36	2	JAM NUT	AN316-4R
37	1	SPRING LOCK	6A05533-001
38	1	COVER, CARRIAGE	6A05158-019
39	4	SCREW	AN526-832R8

WIPLINE MODEL 6100 FLOAT PARTS MANUAL

ITEM	QTY	FIGURE 20A: MAIN GEAR SLIDE TUBE ASS'Y (T-SEALS) PART DESCRIPTION	PART NO.
	4	LOCK WASHER	MS35333-38
	4	WASHER	NAS1149DN832J
40	2	BOLT	AN4-24A
41	1	BOLT	AN6-47A
42	1	TUNNEL CAP	6A01201-001
43	1	END, SLIDE TUBE	6A05259-002
44	4	BOLT	AN5-6A
	A/R	WASHER	NAS1149D0563J
	4	NUT	MS21044N5
45	2	BOLT	AN6-7A
	A/R	WASHER	NAS1149D0663J
	2	NUT	MS21044N6
46	2	BOLT	AN5H10A
	A/R	WASHER	NAS1149D0563J
47	1	BOLT	AN4-14A
	A/R	WASHER	NAS1149D0463J
	1	NUT	MS21044N4
48	2	T-SEAL	1002231
49	1	WIPER, FELT	6A05580-004
50	1	WIPER, NYLON	8880410

THIS PAGE INTENTIONALLY LEFT BLANK

SECTION 17: NOSE GEAR ASSEMBLY



NOSE GEAR ASS'Y., LWR. END

FIGURE 21

(Newer style wheel recognized by the smooth, machined inner surface)
(Older style wheel recognized by the raised interior segments)

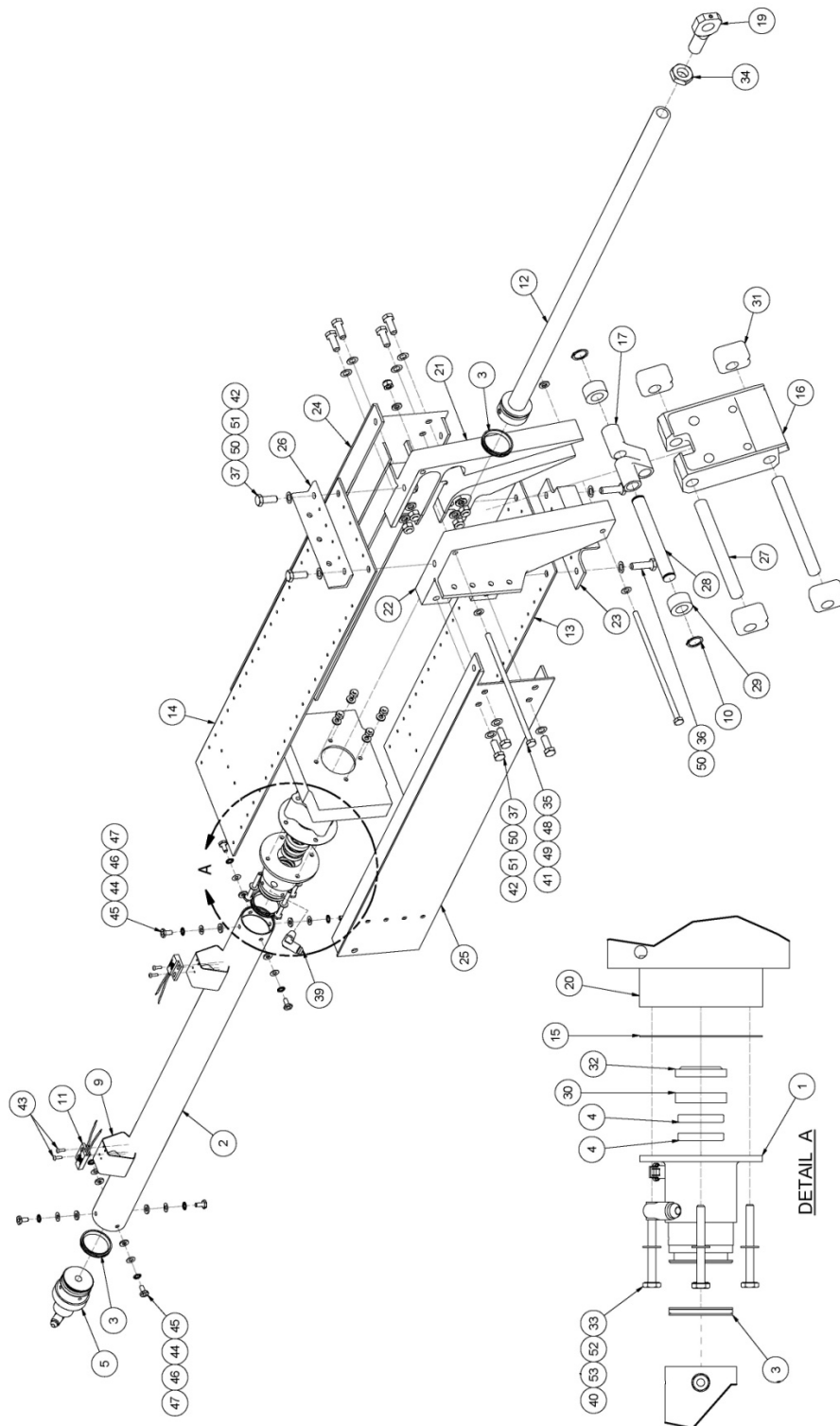
WIPLINE MODEL 6100 FLOAT PARTS MANUAL

FIGURE 21: NOSE GEAR ASS'Y, LWR END			
ITEM	QTY	PART DESCRIPTION	PART NO.
1	1	YOKE ASS'Y	6A06000-006
2	1	LEG, NOSE WHEEL FORK, LEFT	6A06199-003
3	1	LEG, NOSE WHEEL FORK, RIGHT	6A06199-004
4	1	THRUST WASHER	3A06602-001
5	1	PIVOT BLOCK, NOSE GEAR	6A06312-001
6	1	RETAINER, NOSE GEAR PIVOT	6A06512-002
7	1	SPRING	3A06525-002
8	1	CAP, PIVOT BLOCK	3A06037-001
9	2	SPACER	6A06268-002
10	1	AXLE, NOSE WHEEL	6A06265-001
11	1	SPRING, NOSE GEAR	6A06625-001
12	1	PLATE, BEARING, LWR., NOSE SPRING	6A06196-002
13	1	BLOCK ATTACH, TOWING	6A06202-001
14	2	BOLT	AN6-37A
15	4	WASHER	NAS1149D0663J
16	6	NUT	MS21044N6
17	2	SOCKET HEAD CAP SCREW	MS16997-60
18	1	BOLT	AN4-25A
19	2	WASHER	NAS1149F0463P
20	1	NUT	MS21044N4
21	1	COTTER PIN	MS24665-349
22	1	NUT, AXLE	MS21025-20

WIPLINE MODEL 6100 FLOAT PARTS MANUAL

FIGURE 21: NOSE GEAR ASS'Y, LWR END			
ITEM	QTY	PART DESCRIPTION	PART NO.
23	4	BOLT	AN6-21A
24	8	WASHER	NAS1149F0663P
25	2	PIN, ROLL, 1/8 X 3/4, SPRING	215-125-0750
26	1	NOSE WHEEL ASS'Y	6A06000-005
27	2	SOCKET HEAD CAP SCREW	MS16997-77
28	2	"O" RING	MS28775-218
29	2	GREASE ZERK	1095K41
30	2	STAR WASHER	MS35333-40
31	1	WASHER	NAS1149F0863P

THIS PAGE INTENTIONALLY LEFT BLANK



NOSE GEAR RETRACTION ASS'Y. UPPER END (T-SEALS INSTALLED)
FIGURE 22

WIPLINE MODEL 6100 FLOAT PARTS MANUAL

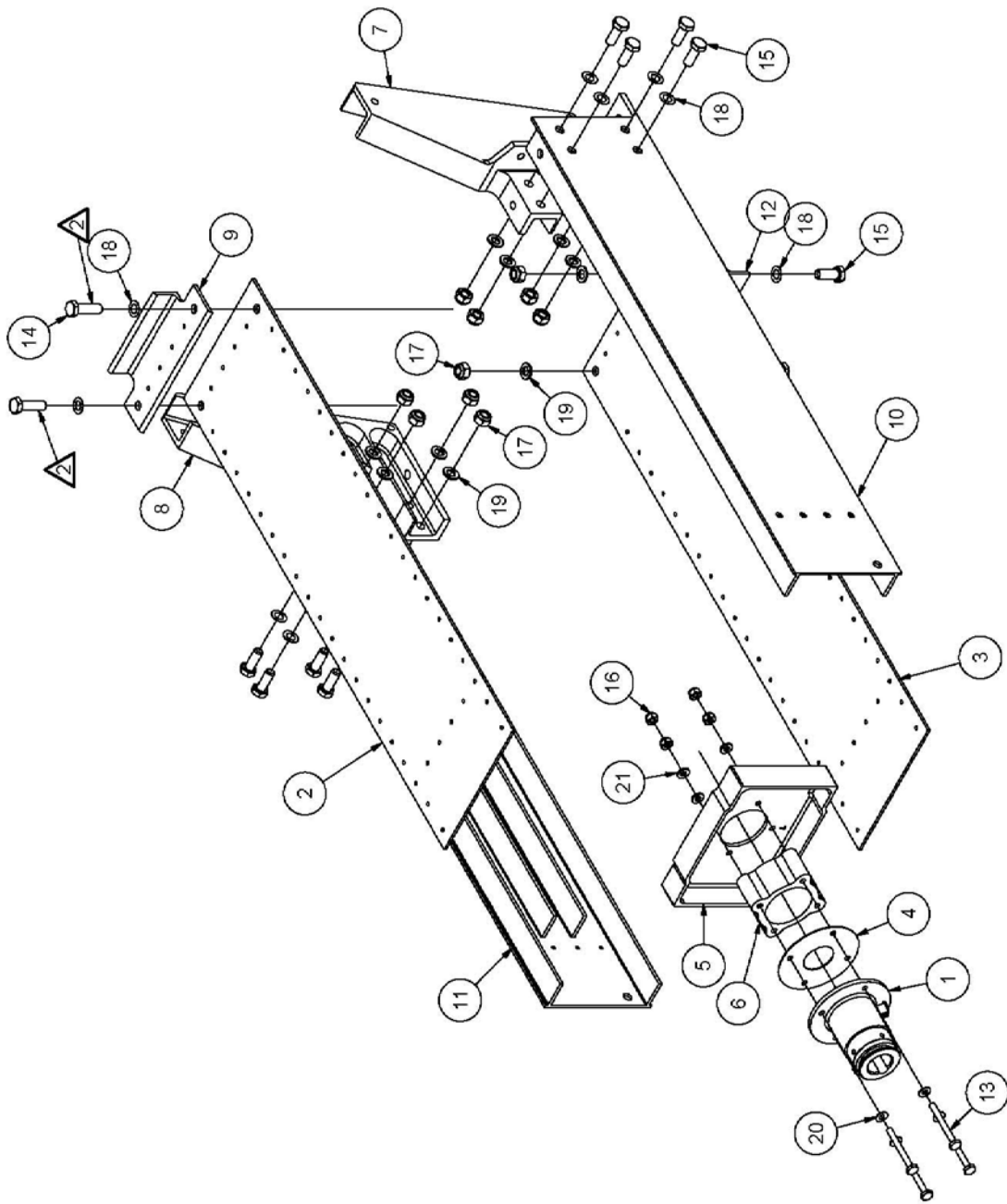
ITEM	QTY	FIGURE 22: NOSE GEAR RETRACTION ASS'Y, UPR END (T-SEALS) PART DESCRIPTION	PART NO.
1	1	FLANGE - CYLINDER NOSE GEAR RAM	1002013
2	1	CYLINDER, RAM, NOSE, 6000/8000	1002024
3	3	PISTON, T-SEAL	1002229
4	2	ROD, T-SEAL	1002230
5	1	ASSEMBLY, CYLINDER END CAP	1002236
6	1	OILER	1205K12
7	1	PLUG - RAM NOSE GEAR	13A07279-001
8	1	MAGNET, HOOK LATCH, MAIN GEAR	3A05701-001
9	2	CLIP, SWITCH, NOSE & MAIN	3A07005-178
10	2	SNAP RING	5100-62H
11	2	SWITCH, SENSOR	5801
12	1	ASSEMBLY, RAM, NOSE GEAR	6A07000-008
13	1	SKIN- NOSE BOX, BOTTOM, 6100 FLOATS	6A07156-022
14	1	SKIN- NOSE BOX, BOTTOM, 6100 FLOATS	6A07156-023
15	1	PLATE - FLANGE	6A07158-129
16	1	TROLLY, NOSE GEAR	6A07199-002
17	1	LINK, NOSE GEAR	6A07204-001
18	1	CAP - END, NOSE BOX	6A07210-001

WIPLINE MODEL 6100 FLOAT PARTS MANUAL

FIGURE 22: NOSE GEAR RETRACTION ASS'Y, UPR END (T-SEALS)			
ITEM	QTY	PART DESCRIPTION	PART NO.
19	1	ROD END - NOSE GEAR RAM	6A07263-001
20	1	SPACER - FLANGE CYLINDER NOSE GEAR RAM	6A07264-003
21	1	TRACK, END, NOSE GEAR, LH	6A07337-001
22	1	TRACK, END, NOSE GEAR, RH	6A07337-002
23	1	ANGLE, NOSE BOX, BOTTOM	6A07357-036
24	1	SIDE, TRACK, NOSE GEAR, LH	6A07364-001
25	1	SIDE, TRACK, NOSE GEAR, RH	6A07364-002
26	1	ANGLE, NOSE BOX, TOP	6A07427-003
27	2	AXLE - TROLLEY, NOSE GEAR	6A07534-001
28	1	AXLE - LINK, NOSE GEAR	6A07534-002
29	2	ROLLER - TRACK, NOSE GEAR	6A07544-001
30	1	WIPER, NOSE GEAR ACTR, 10000, 13	6A07580-005
31	4	BLOCK, SLIDE, TROLLEY, NOSE GEAR	6A07603-001
32	1	WIPER	8880500U
33	4	BOLT	AN3-17A
34	1	NUT	AN316-10R
35	2	BOLT	AN4-65A
36	2	BOLT	AN5-10A

WIPLINE MODEL 6100 FLOAT PARTS MANUAL

ITEM	QTY	FIGURE 22: NOSE GEAR RETRACTION ASS'Y, UPR END (T-SEALS) PART DESCRIPTION	PART NO.
37	10	BOLT	AN5-6A
38	1	O-RING	AN6227-9
39	1	ELBOW	MS20822-4D
40	4	NUT	MS21044N3
41	2	NUT	MS21044N4
42	10	NUT	MS21044N5
43	4	SCREW, MACHINE, PAN HEAD	MS35206-215
44	8	STAR WASHER	MS35333-39
45	8	BOLT	NAS1103-2
46	8	WASHER	NAS1149D0316J
47	8	WASHER	NAS1149D0363J
48	2	WASHER	NAS1149D0416J
49	2	WASHER	NAS1149D0463J
50	12	WASHER	NAS1149D0516J
51	10	WASHER	NAS1149D0563J
52	4	WASHER	NAS1149F0332P
53	4	WASHER	NAS1149F0363P



NOSE BOX ASSEMBLY (WITHOUT ACTUATOR)

FIGURE 22A

WIPLINE MODEL 6100 FLOAT PARTS MANUAL

ITEM	QTY	FIGURE 22A: NOSE BOX ASS'Y (WITHOUT ACTUATOR) PART DESCRIPTION	PART NO.
1	1	CYLINDER FLANGE ASS'Y	1002237
2	1	SKIN- NOSE BOX, BOTTOM, 6100 FLOATS	6A07156-022
3	1	SKIN- NOSE BOX, BOTTOM, 6100 FLOATS	6A07156-023
4	1	PLATE - FLANGE	6A07158-129
5	1	CAP - END, NOSE BOX	6A07210-001
6	1	SPACER - FLANGE CYLINDER NOSE GEAR RAM	6A07264-003
7	1	TRACK, END, NOSE GEAR, LH	6A07337-001
8	1	TRACK, END, NOSE GEAR, RH	6A07337-002
9	1	ANGLE, NOSE BOX, BOTTOM	6A07357-036
10	1	SIDE, TRACK, NOSE GEAR, LH	6A07364-001
11	1	SIDE, TRACK, NOSE GEAR, RH	6A07364-002
12	1	ANGLE, NOSE BOX, TOP	6A07427-003
13	4	BOLT	AN3-17A
14	2	BOLT	AN5-10A
15	10	BOLT, 5/16-24, 0.3125 GRIP, UNDRILLED, STEEL	AN5-6A
16	4	NUT	MS21044N3
17	10	NUT	MS21044N5
18	12	WASHER	NAS1149D0516J
19	10	WASHER	NAS1149D0563J
20	4	WASHER	NAS1149F0332P
21	4	WASHER	NAS1149F0363P

NOSE GEAR RETRACTION ASS'Y., UPR. END (O-RINGS INSTALLED)
FIGURE 23

WIPLINE MODEL 6100 FLOAT PARTS MANUAL

ITEM	QTY	FIGURE 23: NOSE GEAR RETRACTION ASS'Y, UPR. END (O-RINGS) PART DESCRIPTION	PART NO.
	1	NOSE GEAR, RETRACTION SYSTEM	6A07000-004
1	1	END, NOSE GEAR TRACK, LEFT	6A07337-001
	1	END, NOSE GEAR TRACK, RIGHT	6A07337-002
2	1	TRACK, SIDE NOSE GEAR BOX, LEFT	6A07364-001
	1	TRACK, SIDE NOSE GEAR BOX, RIGHT	6A07364-002
3	1	BOX, COVER, TOP	6A07156-023
4	1	BOX, COVER, BOTTOM	6A07156-022
5	1	END CAP, NOSE BOX	6A07210-001
6	1	ANGLE, NOSE BOX, LOWER	6A07357-036
7	1	ANGEL NOSE BOX, UPPER	6A07427-003
8	1	TROLLEY, NOSE GEAR	6A07199-002
9	1	PLATE, BEARING	6A07184-001
10	1	SPRING, NOSE	6A06625-001
11	2	AXLE, TROLLEY	6A07534-001
12	4	BLOCK, TROLLEY	6A07603-001
13	1	ROD END	6A07263-001
14	1	LINK, RAM, END	6A07204-001
15	1	AXLE, LINK	6A07534-002
16	2	ROLLER, TROLLEY	6A07544-001
17	2	SNAP RING	5100-62H
18	1	"O"RING (3/16)	MS28775-316

WIPLINE MODEL 6100 FLOAT PARTS MANUAL

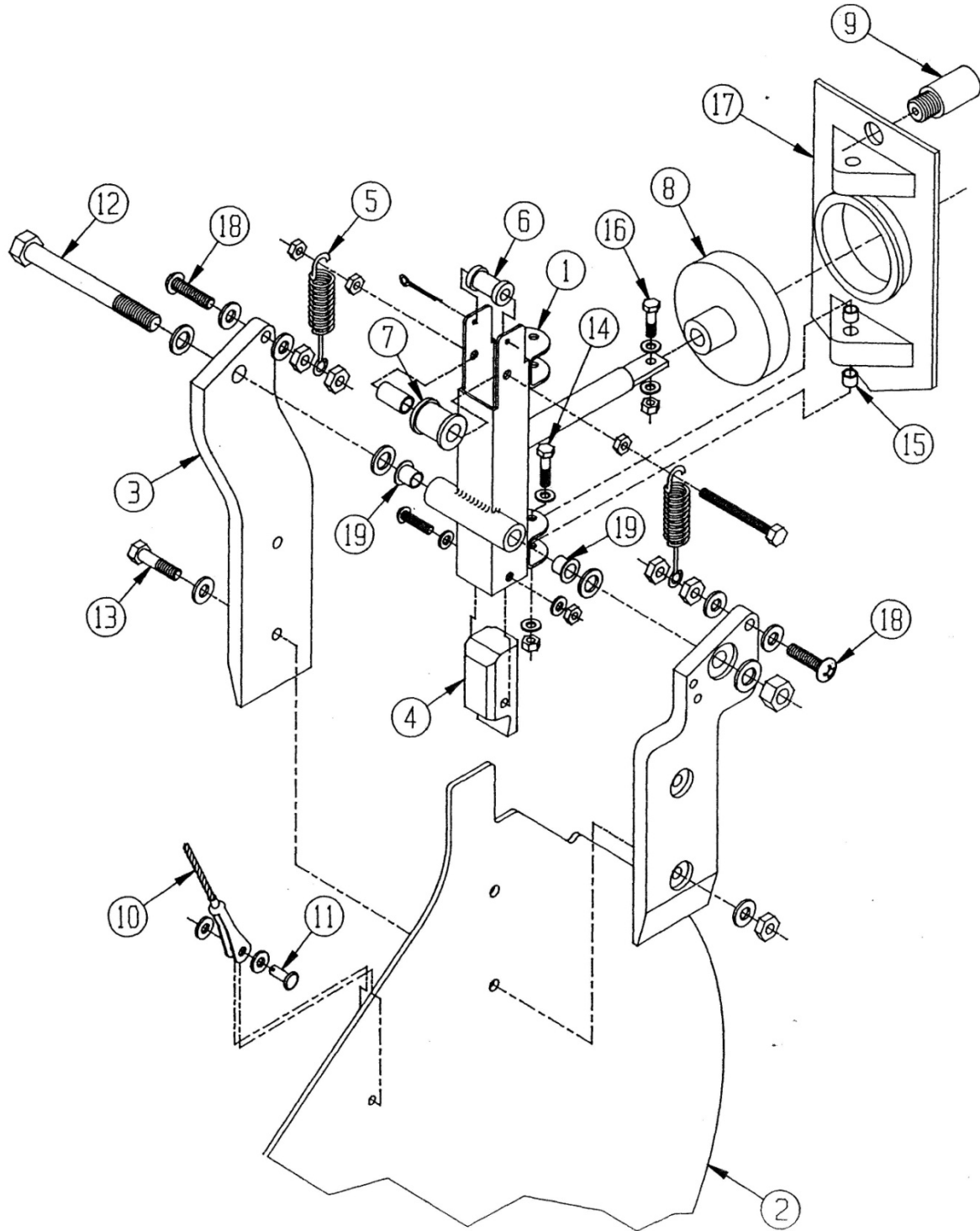
ITEM	QTY	FIGURE 23: NOSE GEAR RETRACTION ASS'Y, UPR. END (O-RINGS) PART DESCRIPTION	PART NO.
19	1	FLANGE, NOSE GEAR CYLINDER	6A07264-002
20	1	ELBOW	MS20822-4D
21	1	"O"RING	MS28775-220
22	1	CYLINDER, NOSE GEAR RAM	6A07116-002
23	1	END CAP	6A05268-001
24	1	ELBOW	MS20822-4D
25	2	SWITCH, PROXIMITY	5801
	4	SCREW	MS35206-215
26	2	MOUNT SWITCH	3A07005-178
27	8	BOLT	NAS6203-2
	8	WASHER THICK	NAS1149D0363J
	8	WASHER THIN	NAS1149D0316J
	8	WASHER LOCK	MS35333-39
28	10	BOLT	AN5-7A
29	A/R	WASHER	NAS1149D0563J
	A/R	WASHER	NAS1149D0516J
30	8	NUT	MS21044N5
31	1	ASS'Y., RAM	6A07000-008
32	1	TRACK, SIDE NOSE GEAR BOX, LEFT	6A07364-001
	1	TRACK, SIDE NOSE GEAR BOX, RIGHT	6A07364-002
33	1	MAGNET	3A05701-001
34	1	"O"RING	MS28775-219
35	2	BOLT	AN5-10A
36	A/R	WASHER	NAS1149D0516J

WIPLINE MODEL 6100 FLOAT PARTS MANUAL

ITEM	QTY	FIGURE 23: NOSE GEAR RETRACTION ASS'Y, UPR. END (O-RINGS) PART DESCRIPTION	PART NO.
	A/R	WASHER	NAS1149D0563J
37	2	NUT	MS21044N5
38	2	BOLT	AN8-26A
	A/R	WASHER	NAS1149F0763P
	2	NUT	MS21044N8
39	1	SUPPORT RING, CYLINDER	6A05181-001
40	2	BOLT	AN4-65A
	A/R	WASHER	NAS1149F0463P
	2	NUT	MS21044N4
41	2	BOLT	AN6-24A
	A/R	WASHER	NAS1149F0663P
	2	NUT	MS21044N6
42	4	BOLT	AN3-20A
	4	WASHER	NAS1149F0363P
	4	NUT	MS21044N3
43	1	WIPER, FELT	6A07580-001
44	1	WIPER, NYLON	8880510
45	1	PLATE	6A07158-129
46	1	SPACER	6A07264-003
47	1	OILER, FILLER	1205K12

THIS PAGE INTENTIONALLY LEFT BLANK

SECTION 18: INSTALLATION - WATER RUDDER



WATER RUDDER BLADE INSTALLATION

FIGURE 24

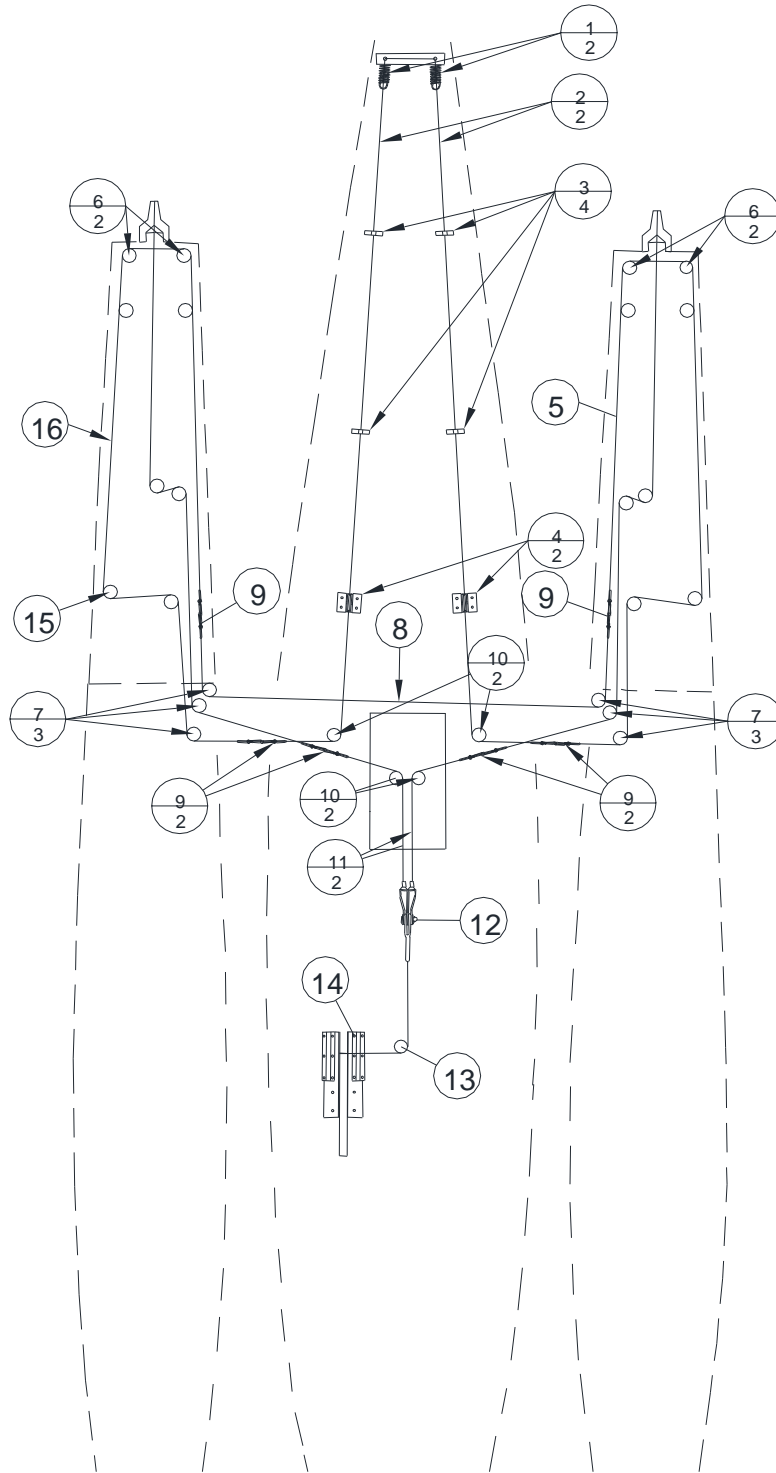
WIPLINE MODEL 6100 FLOAT PARTS MANUAL

FIGURE 24: WATER RUDDER BLADE			
ITEM	QTY	PART DESCRIPTION	PART NO.
1	1	ASS'Y., WATER RUDDER POST	8A08000-098
2	1	BLADE, WATER RUDDER	6A08001-005
3	1	ARM, WATER RUDDER, LEFT	4A08197-009
	1	ARM, WATER RUDDER, RIGHT	4A08197-008
4	1	STOP, WATER RUDDER	6A08183-005
	1	BOLT	AN3-13A
	1	WASHER	NAS1149F0363P
	1	NUT	MS21044N3
5	2	SPRING, RETRACT	3A08525-001
6	1	ROLLER, RETRACT CABLE, TOP	6A08601-002
	1	COTTER PIN	MS24665-306
7	1	ROLLER, RETRACT CABLE, LWR.	3A08606-001
	1	BUSHING	3A08502-001
	1	BOLT	1032 X 2 INCH SS
	3	NUT	NAS697A3W
8	1	BOOT, WATER RUDDER	3A08650-001
9	1	GUIDE, WATER RUDDER CABLE	3A08605-001
10	1	ASS'Y., CABLE-RETRACT	6A08000-013
11	1	CLEVIS PIN	MS20392-2C11
	1	WASHER	NAS1149D0363J
	1	COTTER PIN	MS24665-0151
12	1	BOLT, RUDDER POST HINGE	AN6C34A
	2	WASHER	NAS1149D0663JL
	2	WASHER	NAS1149D0663J
	1	NUT	MS21045-6
13	2	BOLT, RUDDER TO ARM, ATTACH	AN4-10A
	4	WASHER	NAS1149D0463J
	2	NUT	NAS6749A4W

WIPLINE MODEL 6100 FLOAT PARTS MANUAL

FIGURE 24: WATER RUDDER BLADE			
ITEM	QTY	PART DESCRIPTION	PART NO.
14	2	BOLT, RUDDER POST HINGE	AN3C10A
	2	WASHER	NAS1149D0363J
	2	NUT	NAS697A3W
15	4	BEARING (TEFLON-STEEL) SPECIFY	03DU04
	4	BEARING NYLINER (PLASTIC) SPECIFY (OLD STYLE)	4L4F
16	1	BOLT	AN3-6A
	1	WASHER	NAS1149D0363J
	1	NUT	MS21044N3
17	1	CASTING, WATER RUDDER	3A01437-001
18	2	SCREW, SPRING ATTACH	AN526-428R16
	A/R	WASHER	NAS1149F0463P
	2	NUT	H10-4
19	2	BEARING-NYLINER (PLASTIC) SPECIFY (OLD STYLE)	6L11F
	2	BEARING (TEFLON-STEEL) SPECIFY	06DU08

THIS PAGE INTENTIONALLY LEFT BLANK



WATER RUDDER AND RETRACT SCHEMATIC
FIGURE 24

WIPLINE MODEL 6100 FLOAT PARTS MANUAL

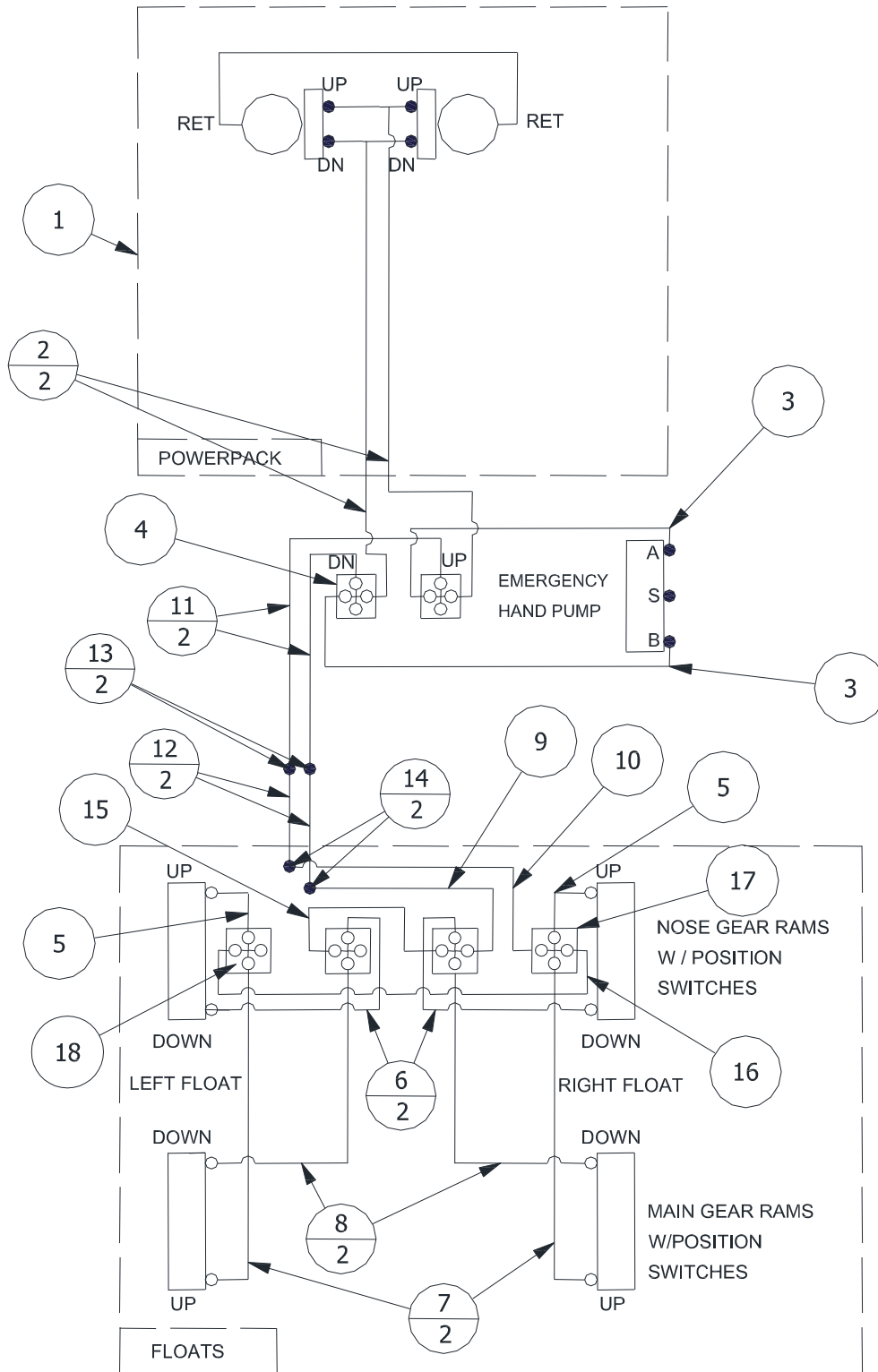
ITEM	QTY	FIGURE 24: WATER RUDDER AND RETRACT SCHEMATIC PART DESCRIPTION	PART NO.
1	2	SPRING	0742016-1
2	2	ASS'Y. CABLE, STEERING	6P08000-105
3	4	GUIDDE, PULLEY	6P08153-005
4	2	ASS'Y, PULLEY BRACKET	6P08000-101
	8	SCREW	AN526-10R10
	16	WASHER	NAS1149F0363P
	8	NUT	MS21044N3
5	2	ASS'Y. CABLE, BALANCE	6A08000-011
6	4	ASS'Y., CABLE AND PULLEY BRACKET	6A08000-019
7	1	ASS'Y., PULLEY BRACKET, GUNWALL, RIGHT	6A08000-016
	1	BRACKET, PULLEY FRONT	6A08355-002
	1	BRACKET, PULLEY CENTER	6A08365-002
	1	BRACKET, PULLEY REAR.	6A08336-002
	1	BAR, MOUNTING	6A08209-002
	6	PULLEY	MS20219-2
	1	ASS'Y., PULLEY BRACKET, GUNWALL, LEFT	6A08000-017
	1	BRACKET, PULLEY FRONT	6A08355-001
	1	BRACKET, PULLEY CENTER	6A08365-001
	1	BRACKET, PULLEY REAR	6A08336-001
	1	BAR, MOUNTING	6A08209-002
	6	PULLEY	MS20219-2
8	1	ASS'Y. CABLE, BALANCE SPREADER BAR.	6A08000-008
9	6	TURNBUCKLE	AN155-165
10	4	ASS'Y, PULLEY	4A08151-093
	4	BOLT	AN4-7A
	4	WASHER	NAS1149F0463P
	4	NUT	MS21044N4
	8	EYEBOLT	AN42-4A
	8	WASHER	NAS1149F0463P
	8	NUT	MS21044N3
11	2	ASS'Y. CABLE	6P08000-104

WIPLINE MODEL 6100 FLOAT PARTS MANUAL

FIGURE 24: WATER RUDDER AND RETRACT SCHEMATIC			
ITEM	QTY	PART DESCRIPTION	PART NO.
12	1	PIN	MS20393-2C19
	2	WASHER	NAS1149FO363P
	1	PIN	MS24665-149
13	1	PULLEY BRACKET, WATER RUDDER RETRACT	3A08151-046
	4	BOLT	AN526-10R10
	8	WASHER	NAS1149F0363P
	4	NUT	MS21044N3
14	1	ASS'Y.-BRACKET-WATER RUDDER RETRACT	6P08000-102
	6	SCREW	AN526-10R10
	6	SCREW	AN509-10R16
15	12	PULLEY	MS20219-2
16	2	ASS'Y. CABLE, STEERING (192")	6A08000-012

SECTION 19: HYDRAULIC SYSTEM

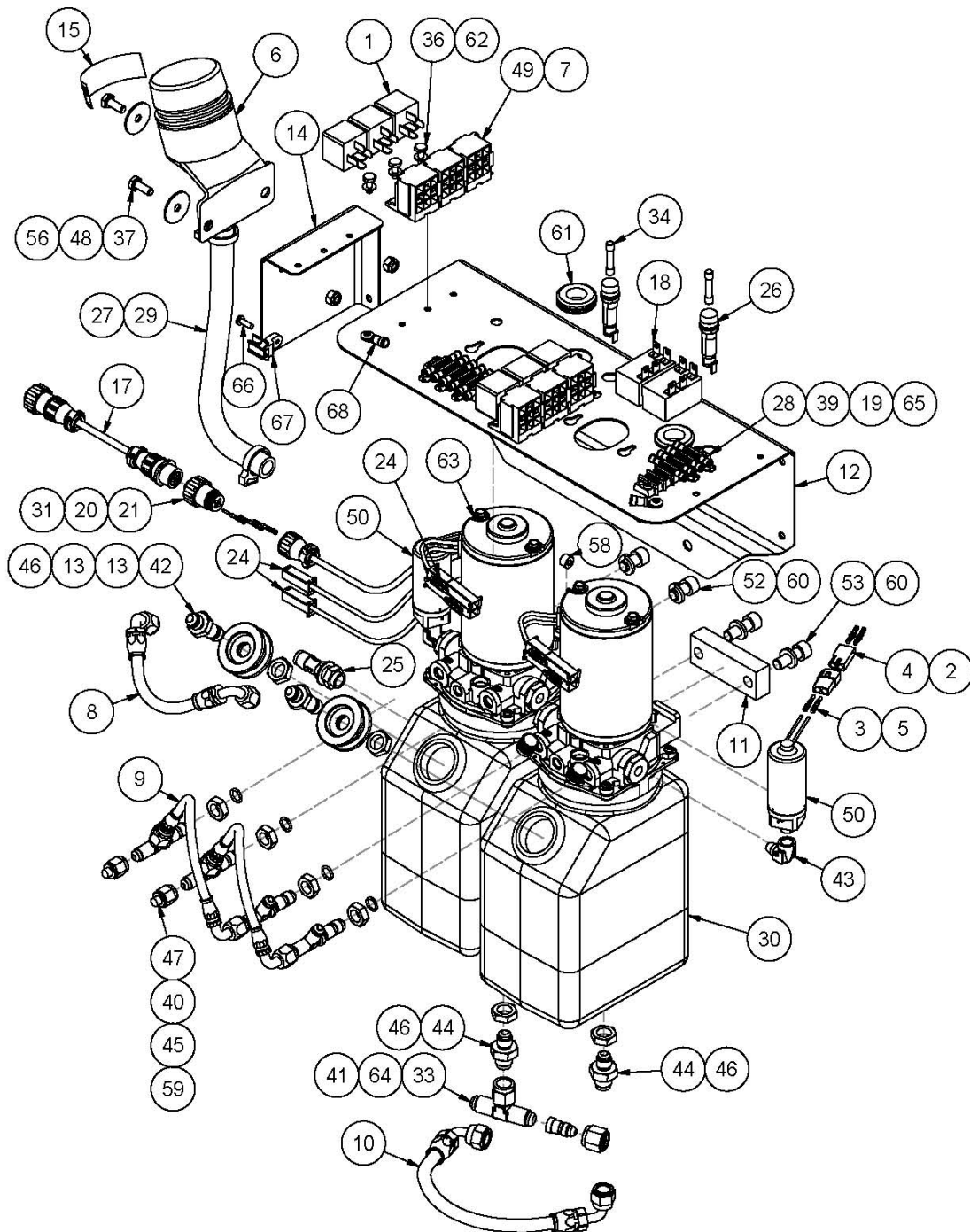
WIPLINE MODEL 6100 FLOAT PARTS MANUAL



HYD. SYSTEM SCHEMATIC – AMPHIBIAN
FIGURE 25

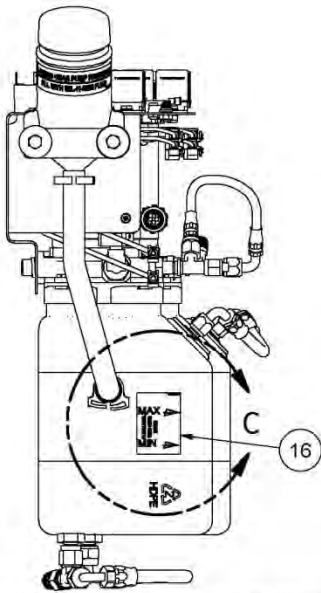
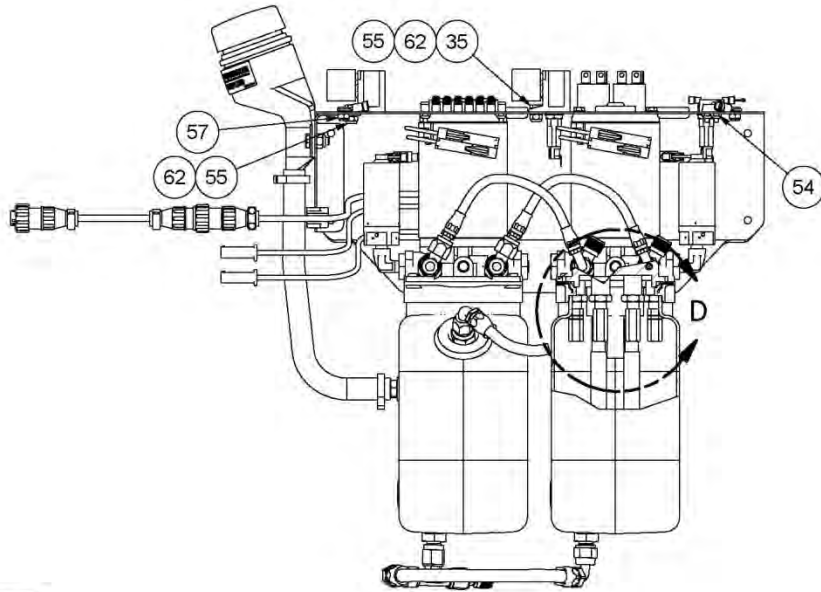
WIPLINE MODEL 6100 FLOAT PARTS MANUAL

FIGURE 25: HYD. SYSTEM SCHEMATIC – AMPHIBIAN			
ITEM	QTY	PART DESCRIPTION	PART NO.
1	1	ASS'Y, HYDRAULIC PUMP	1005294
2	2	HYD. LINE ASS'Y., MANIFOLD TO POWERPACK	1005288-03
3	2	HYD. LINE ASS'Y, HANDPUMP TO MANIFOLD	1005288-01
4	1	MANIFOLD	1005262
5	2	HYD. LINE ASS'Y, NOSE UP	6A09000-064
6	2	HYD. LINE ASS'Y, NOSE DOWN	6A09000-065
7	2	HYD. LINE ASS'Y, MAIN UP	6A09000-067
8	2	HYD. LINE ASS'Y, MAIN DOWN	6A09000-066
9	1	HYD. LINE ASS'Y, MANIFOLD TO FLOAT DECK	6A09000-054
10	1	HYD. LINE ASS'Y, MANIFOLD TO FLOAT DECK	6A09000-068
11	4	HYD. LINE ASS'Y, MANIFOLD TO GEAR FITTINGS	1005439-01
12	2	HYD. LINE ASS'Y, TOP DECK TO FUSELAGE	6A09000-070
13	2	HYDRAULIC FITTING, FUSELAGE	AN833-5D
14	2	FITTINGS TOP DECK	AN833-5D
15	1	HYD. LINE ASS'Y, MANIFOLD TO MANIFOLD	6A09000-058
16	1	HYD. LINE ASS'Y, MANIFOLD TO MANIFOLD	6A09000-069
17	1	MANIFOLD, R/H FLOAT	6A09000-028
18	1	MANIFOLD, L/H FLOAT	6A09000-027

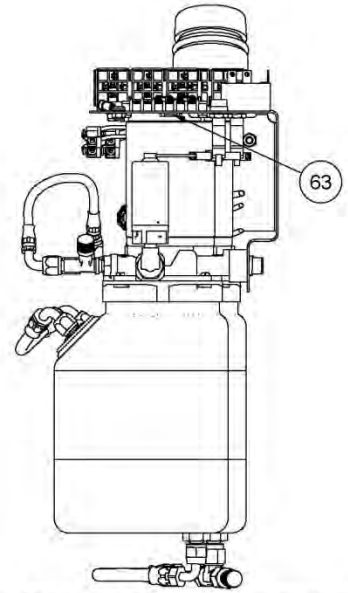


ASSEMBLY, HYD. PUMP
FIGURE 26

WIPLINE MODEL 6100 FLOAT PARTS MANUAL



ASSEMBLY, HYDRAULIC PUMP
(LEFT SIDE VIEW)



ASSEMBLY, HYDRAULIC PUMP
(RIGHT SIDE VIEW)

ASSEMBLY, HYD. PUMP
FIGURE 26 cont.

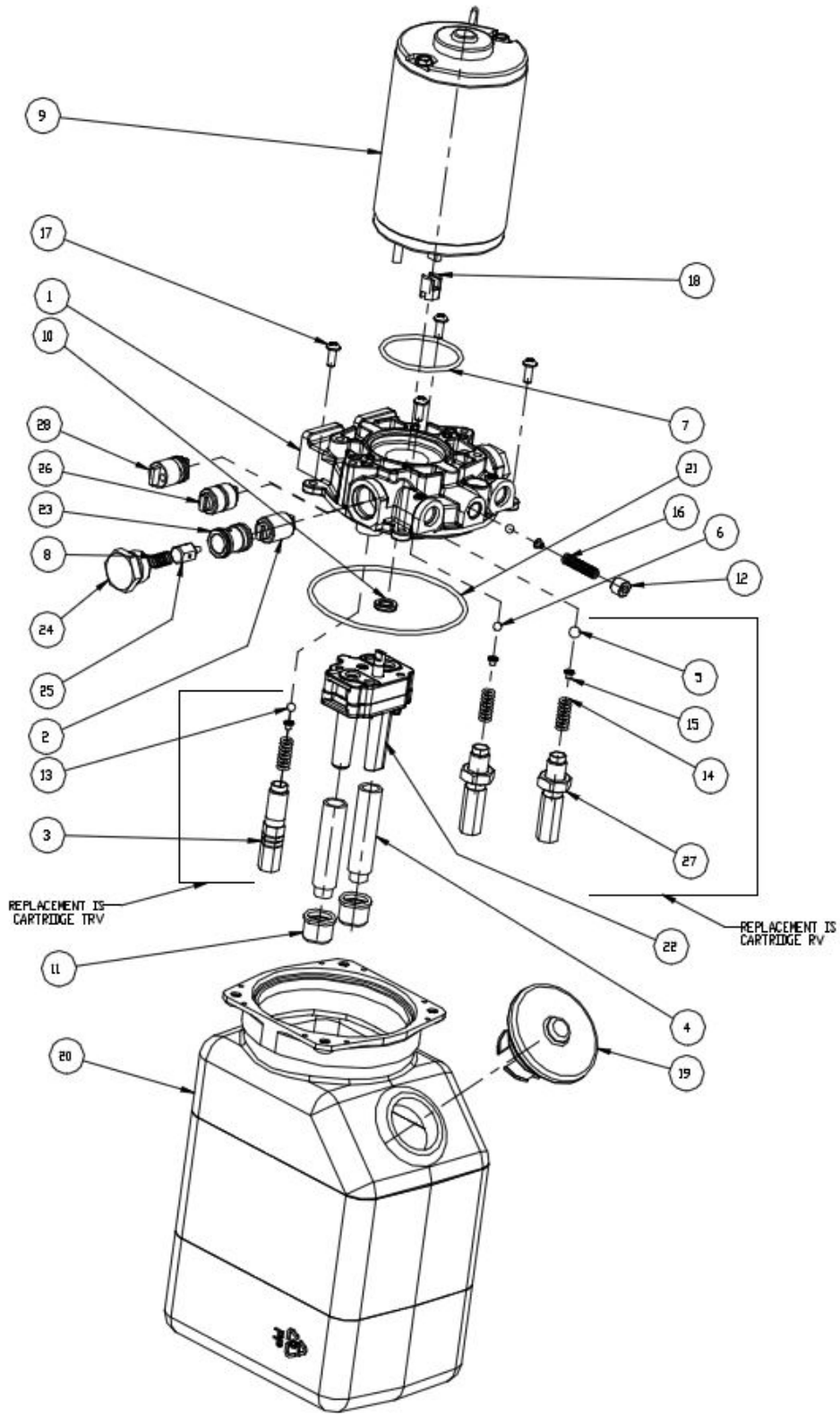
WIPLINE MODEL 6100 FLOAT PARTS MANUAL

ITEM	QTY	FIGURE 26: HYD. PUMP ASS'Y PART DESCRIPTION	PART NO.
1	6	RELAY, 24V, 5 PRONG	0-332-209-211
2	4	PIN, CRIMP FEMALE, 1/8" DIA	02-09-1104
3	4	PIN, CRIMP MALE, 1/8" DIA	02-09-2118
4	2	CONNECTOR PLUG, MALE, 2 CONN.	03-09-1022
5	2	CONNECTOR PLUG, FEMALE	03-092022
6	1	FILLER SPOUT	066023
7	30	TERMINAL	1-901-355-917
8	1	HYDRAULIC HOSE, TOP	1004089-16
9	2	HYDRAULIC HOSE ASSEMBLY	1004089-17
10	1	HYDRAULIC HOSE	1004089-18
11	1	SPACER, MOUNT, HYDRAULIC PUMP	1004390
12	1	PLATE, MOUNT, HYDRAULIC PUMP	1004391
13	4	RETAINER, HYDRAULIC TANK VENT	1004514
14	1	HYDRAULIC FILLER BRACKET	1004589
15	1	PLACARD, FILL LOCATION	1004663-1
16	1	PLACARD, FLUID LEVEL	1004663-2
17	1	CABLE, DIODE ADAPTOR	1004949
18	1	TIMER RELAY HARNESS	1005043
19	5	DIODE, 2-1/2"	1N4004
20	1	CLAMP, CABLE, CPC SIZE 11	206062-3
21	1	PLUG, MALE, CPC SIZE 1, 4 PIN	206429-1
22	12 FT	WIRE, 12 AWG, WHITE	22759-16-12-9
23	16 FT	WIRE, 20 AWG, WHITE	22759-16-20-9
24	6	HOUSING CONNECTOR ASSEMBLY	2601048-200
25	1	FITTING	2974K861
26	2	FUSE HOLDER	3453LF2A
27	2	CLAMP	57134
28	2	TERMINAL BLOCK, 6 CONNECTOR	6-140
29	1	BRAIDED TUBING	60703
30	2	PUMP, HYD., 24VDC	648487
31	3	PIN, MALE, 1/16 DIA, CRIMP	66099-4
32	3	CAP	820-01291
33	1	FITTING	925106ERL
34	2	FUSE, 250V, (S2565-1)	AGC-1
35	3	BOLT	AN3-3A
36	3	BOLT	AN3-4A
37	2	BOLT	AN4-5A
38	2	SCREW, MACHINE	AN526-1032R6
39	4	SCREW	AN526-632R10
40	4	TEE FITTING	AN804-4D
41	1	NUT – COUPLING	AN818-6D

WIPLINE MODEL 6100 FLOAT PARTS MANUAL

ITEM	QTY	FIGURE 26: HYD. PUMP ASS'Y PART DESCRIPTION	PART NO.
42	2	UNION -5D	AN832-5D
43	2	ELBOW,90°, PIPE	AN914-1D
44	2	FITTING, REDUCER	AN919-7D
45	4	JAM NUT	AN924-4D
46	4	JAM NUT	AN924-5D
47	2	CAP	AN929-4
48	2	WASHER,.265 ID, 1.125 OD, .063 THK	AN970-4
49	6	SOCKET, 5 PRONG, PLASTIC	BR05FW
50	2	PRESSURE SWITCH	GPP1250-40
51	2 FT	HEAT SHRINK, TUBING, BLACK	HS105-3/16-0
52	2	SOCKET HEAD CAP SCREW	MS16997-96
53	2	SOCKET HEAD CAP SCREW	MS16997-99
54	4	NUT	MS21044N06
55	6	NUT	MS21044N3
56	2	NUT	MS21044N4
57	2	NUT, SELF LOCKING	MS21045-3
58	2	PLUG	MS27769-2
59	4	"O" RING	MS28775-012
60	4	WASHER, SPLIT	MS35338-46
61	2	GROMMET, RUBBER	MS35489-19
62	12	WASHER	NAS1149F0332P
63	8	WASHER	NAS1149F0363P
64	1	FITTING, REDUCER	NAS1564D6-4
65	20	RING CONNECTOR	R-3
66	1	SCREW	S1021Z8-8
67	1	MOUNT	S2034-1
68	2	RING CONNECTOR	Y-4

WIPLINE MODEL 6100 FLOAT PARTS MANUAL



HYDRAULIC PUMP, REVERSIBLE, 24VDC

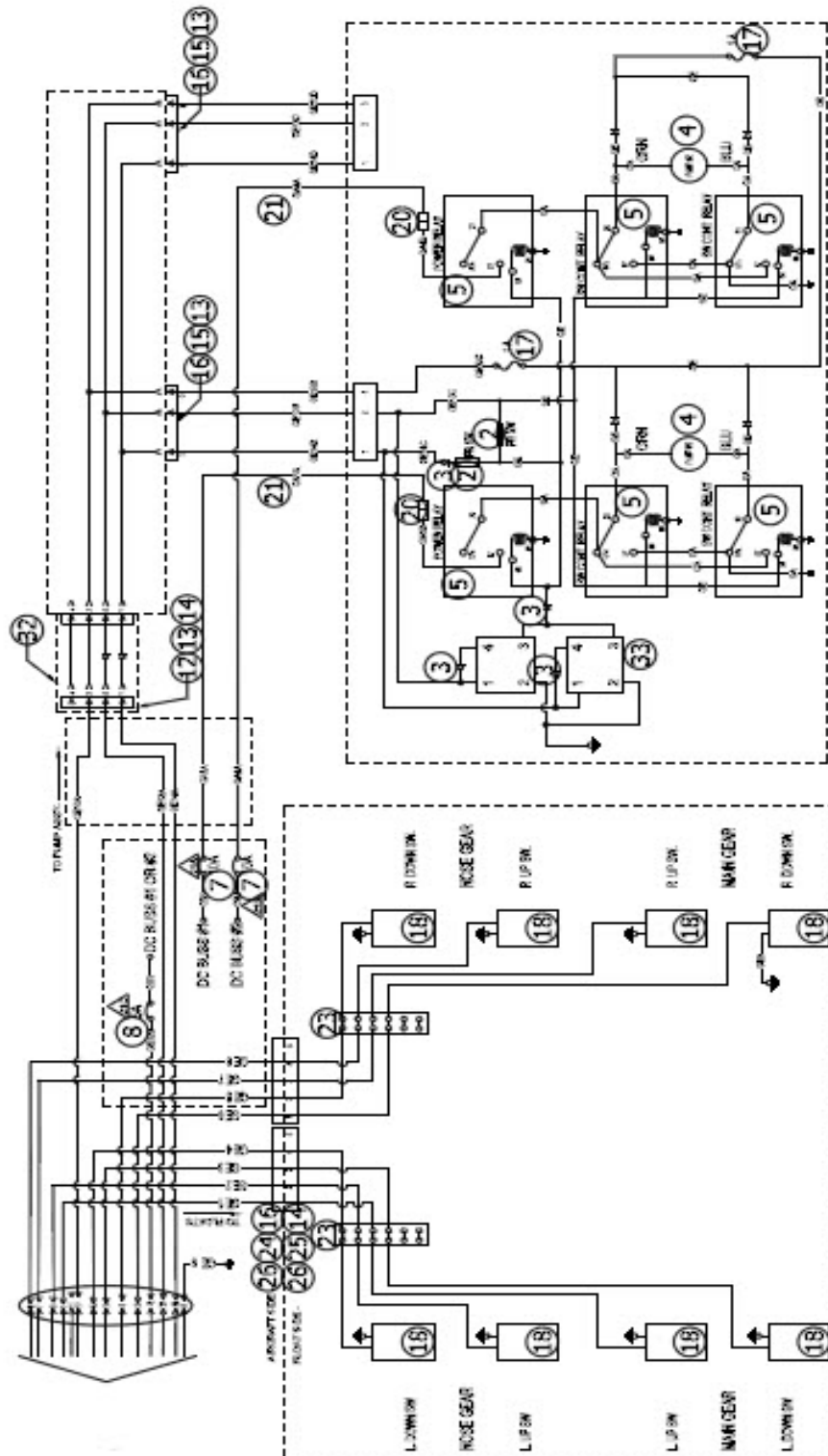
FIGURE 27

WIPLINE MODEL 6100 FLOAT PARTS MANUAL

ITEM	QTY	FIGURE 27: HYD. PUMP REVERSIBLE, 24VDC PART DESCRIPTION	PART NO.
	1	PUMP HYDRAULIC, REVERSIBLE, 24VDC	648487
1	1	ADAPTER	205882
3		PART OF THERMAL RV CARTRIDGE	N/A
4	2	SUCTION EXTENSION TUBE	364528
5		PART OF RELIEF VALVE CARTRIDGE	N/A
6		PART OF RELIEF VALVE CARTRIDGE	N/A
7	1	MOTOR O-RING	405673
8	2	SPRING (POPPET)	410462
9	1	MOTOR, 24 VDC, PERM. MAGNET	411165
10	1	SHAFT SEAL	410512
11	2	SUCTION STRAINER	410521
12	1	PLUG FOR BACK PRESSURE VALVE	410530
13		PART OF RELIEF VALVE CARTRIDGE	N/A
14		PART OF RELIEF VALVE CARTRIDGE	N/A
15		PART OF RELIEF VALVE CARTRIDGE	N/A
16	1	SPRING FOR BACK PRESSURE VALVE	411874
17	4	SCREW, RESERVOIR MOUNTING	413222
18	1	COUPLING	413528
19	1	BREATHER CAP RESERVOIR	413742
20	1	RESERVOIR, Q, 2 LITER	413922
21	1	O-RING, RESERVOIR SEAL	414063
22	1	PUMP, .032, REVERSIBLE, COLD TEMP.	635354
22A	2	SCREW, PUMP MOUNTING (NOT SHOWN)	406187
23	2	CHECK SEAT	773763
24	2	HEX PLUG RETAINER, WITH 1/8" NPSF CONNECTION	774550
25	2	POPPET	773776
26		N/A	N/A
27		PART OF RELIEF VALVE CARTRIDGE	N/A
28	1	SPOOL, DOUBLE BACK PRESSURE LD	774376
THERMAL RV	2	THERMAL RV CARTRIDGE – SPECIFY PRESSURE SETTING AT 1900 PSI	704522
RELIEF VALVE	2	RELIEF VALVE CARTRIDGE – SPECIFY PRESSURE SETTING OF 1400 +150/-0 PSI FOR UP SIDE: SPECIFY 1100 +150/-0 PSI DN SIDE	704517

THIS PAGE INTENTIONALLY LEFT BLANK

SECTION 20: ELECTRICAL SCHEMATIC



ELECTRIC SCHEMATIC – AMPHIBIAN
 FIGURE 2

WIPLINE MODEL 6100 FLOAT PARTS MANUAL

ITEM	QTY	FIGURE 28: ELECTRICAL SCHEMATIC PART DESCRIPTION	PART NO.
2	2	PRESSURE SWITCH	GPP1250-40
3	5	DIODE	1N4004
4	2	GEAR PUMP	646516
5	6	RELAY, 24V, 5 PRONG	V23234A0004X050
7	2	CIRCUIT BREAKER, 10A	7277-2-10
8	1	CIRCUIT BREAKER, 5A	2/5/7277
9	A/R	20GA WIRE	MIL-W-22759/16-20
10	A/R	22GA WIRE	MIL-W-22759/16-22
11	A/R	12GA WIRE	MIL-W-22759/16-12
12	1	CPC PLUG, 4 PIN, FEMALE #1	206430-2
13	1	CPC CABLE CLAMP, SIZE 11	206062-3
14	14	CRIMP SOCKET, FEMALE 24-20GA	66105-4
15	2	CPC PLUG MALE #1, 4 PIN	206429-1
16	16	CRIMP SOCKET, 20-24GA	66103-4
17	2	FUSE, 250V (S2565-1)	AGC-1
18	8	HAMLIN SWITCH	59135-020
20	2	HOUSING CONNECTOR ASS'Y	2601048-200
21	2	WIRE, SINGLE CONNECTOR	1004635
23	2	6 POSITION TERMINAL BLOCK	6-140
24	2	CPC FREE HANG, 9 PIN, MALE #1	206705-2
25	2	CPC PLUG, 9 PIN, FEMALE #1	206708-1

WIPLINE MODEL 6100 FLOAT PARTS MANUAL

ITEM	QTY	FIGURE 28: ELECTRICAL SCHEMATIC PART DESCRIPTION	PART NO.
26	4	CPC CLAMP, SIZE 13, 9 PIN	206966-1
27	A/R	10 GA WIRE	MIL-W-22759/16-10
29	4 FT	SPLIT LOOM	97358
32	1	CABLE, DIODE ADAPTER	1004949
33	2	ASS'Y, TIMER RELAY HARNESS (24V)	1005043

WIPLINE MODEL 6100 FLOAT PARTS MANUAL

PARTS MANUAL
FOR
MODEL 6100 WIPLINE FLOAT
Item No. 1005258



1700 Henry Ave. – Fleming Field
South St. Paul, MN 55075
U.S.A.
Phone: (651) 451-1205
Fax: (651) 451-1786
www.wipaire.com