

# WIPLINE FLOATS

## MODEL 8000

### PARTS MANUAL



## CESSNA 208

THIS PAGE INTENTIONALLY LEFT BLANK

# WIPLINE MODEL 8000 FLOAT PARTS MANUAL

## TABLE OF CONTENTS

<u>SECTION</u>	<u>PAGE</u>
LOG OF REVISIONS .....	5
FLOAT PART SALES DEPT. OPERATIONS.....	6
PARTS ORDERING .....	6
DAMAGED GOODS .....	6
RETURNED PARTS.....	6
ORDER SHORTAGES .....	7
CREDIT POLICY .....	7
LIST OF ABBREVIATIONS .....	7
NEW CUSTOMER INFORMATION.....	8
HULL ASSEMBLY – AMPHIBIAN .....	10
HULL ASSEMBLY – AMPHIBIAN .....	22
WHEEL WELL AREA .....	25
EXTRUSIONS - HULL – AMPHIBIAN .....	28
PUMPER TUBE INSTALLATION .....	31
INSTALLATION – STRUTS AND DRAG WIRES .....	33
ASSEMBLY SPREADER BAR.....	38
CLEVELAND/PARKER MANUFACTURED .....	40
MAIN GEAR WHEEL ASSEMBLY .....	40
MCCAULEY MANUFACTURED MAIN GEAR WHEEL ASS'Y .....	43
ASSEMBLY – MAIN GEAR AXLE.....	47
ASSEMBLY – OLEO SHOCK STRUT (T-SEALS INSTALLED).....	51
ASSEMBLY – OLEO SHOCK STRUT (O-RINGS INSTALLED) .....	54
ASSEMBLY – MAIN GEAR SLIDE TUBE (T-SEALS INSTALLED) .....	57
ASSEMBLY – MAIN GEAR SLIDE TUBE (O-RINGS INSTALLED).....	61
NOSE GEAR ASSEMBLY LOWER END .....	65
NOSE GEAR ASSEMBLY (O-RING INSTALLED).....	73
WATER RUDDER BLADE INSTALLATION.....	78
WATER RUDDER STEERING SYSTEM.....	82
PULLEY BRACKETS – WATER RUDDER RETRACT .....	86
PULLEY BRACKETS – WATER RUDDER CONTROL.....	90
INSTALLATION ELEVATOR DOWN STOP .....	94
HYDRAULIC SCHEMATIC .....	96
INSTALLATION HYDRAULIC PUMP.....	100
HYDRAULIC PUMP ASSEMBLY .....	102
INSTALLATION BRAKE LINES .....	106
SCHEMATIC ELECTRICAL AMPHIB .....	108
GEAR CONTROL ASSEMBLY .....	110
FUSELAGE STEP ASSEMBLY .....	114

# WIPLINE MODEL 8000 FLOAT PARTS MANUAL

## NOTE:

**Any information not found in this manual for strut package parts and other aircraft installation items, refer to the installation drawing package provided with the STC at the time of float installation. Additional drawing copies are available for purchase through the Wipaire Customer Service department.**

# WIPLINE MODEL 8000 FLOAT PARTS MANUAL

## LOG OF REVISIONS

Revision	Pages Effected	Description	Date
A	53, 55	Added grease zerk to Figure 11 and Parts List	9/28/05
B	63, 65	Changed Drawing & Parts List	2/10/06
C	40	Part Number Changes	8/30/06
D	43	Wheel nut p/n changed from MN21044-N5 to <b>MS21042-5</b> low profile steel nut to create greater bolt thread extension after torqueing.	8/31/07
E	52-54, 66-69	Images and parts lists changed to reflect T-Seal improvement for Main shock strut and Nose Box.	4/1/08
F	64	Parts numbers changed for the wheel grease retainer and the assembly nose wheel. Old retainer is still available for purchase and shown on 64 also.	7/4/08
G	55-57, 76-79	Pages removed for T-seal change in Rev.E returned to aid customers who choose not to update. Main Oleo, Main and Nose retraction can be sealed with either the updated T-seal system or original O-ring system. Call Wipaire Customer service if you are not sure which system is installed.	10/31/08
H	customer service pages 13,16,17,20 22,26,31,36,41,43 62,63,71,82,84,91 95,100,101,104 106 107,112,114,118 119	Added updated customer service pages and warranty information. Updated part numbers on included pages	2/15/09
I	68-71	Changed figure and part numbers to reflect Parker wheel options.	6/1/09
J	16,21,24,25,28,34- 36,40,42,57,59- 67,71,78,79,81,85,8, 94,100,111	Added change notation, Updated multiple hardware items, added additional parts regarding new and old style.	7/18/11
K	ALL	Reformatted entire document, Removed Warranty Claim Form	9/23/15

You may also look at the latest parts manual at [www.wipaire.com](http://www.wipaire.com)

# WIPLINE MODEL 8000 FLOAT PARTS MANUAL

## FLOAT PART SALES DEPT. OPERATIONS

Hours: 7:00 AM – 6:00 PM, Monday through Friday  
Central U.S. Time

Phone: 651-306-0459

Fax: 651-306-0666

Email: [customerservice@wipaire.com](mailto:customerservice@wipaire.com)

Website: [www.wipaire.com](http://www.wipaire.com)

### **Shipping Schedule:**

In-stock orders received before 3:00 PM CST ship the same day. Orders received after this time may be assessed an AOG fee for special priority handling.

As we are primarily a manufacturer, our stocks can be rapidly depleted by production requirements. Therefore, prices and availability are subject to change at any time. It is our intent to provide courteous and prompt service of your needs. Please let us know of any problem or concerns so that changes in these procedures can be a benefit to all.

## **PARTS ORDERING**

Purchase orders should include

1. P.O. Number
2. Name of person placing order
3. Invoicing information:
  - I. Customer name – company or individual
    - i. Address
    - ii. Phone and fax number
4. Shipping information:
  - I. Address (if different from invoice address)
  - II. Method of shipment/preferred carrier
5. Aircraft model, float model and serial numbers
6. Wipaire part number; name; type, e.g. left or right; quantity
7. Payment method: VISA, MasterCard, COD (U.S. customers only). Pre-payment by check or wire transfer, open account (see credit policy section).

## **DAMAGED GOODS**

Inspect all parts upon receipt. Damages to parts in transit must be filed as a claim against the carrier.

## **RETURNED PARTS**

Written explanation of reason for return must accompany parts, including invoice number of original shipment. Shipping charges on returned parts must be prepaid or the shipment will be refused.

# WIPLINE MODEL 8000 FLOAT PARTS MANUAL

## ORDER SHORTAGES

Check shipment against delivery slip immediately. All claims for any shortages should be made within three (3) days after order receipt.

## CREDIT POLICY

Parts will be shipped on open account, net 30 days, to Wipaire-approved credit customers only. A balance due over 60 days will result in no shipments. Wipaire, Inc. reserves the right to send any order C.O.D.

## LIST OF ABBREVIATIONS

All references in this manual to LEFT and RIG HT are from the perspective of the pilot's seat with the floats fully installed and ready for floatplane operation. The following is a list of abbreviations that may appear in the description nomenclature fields of this manual:

AB	Afterbody	Inbd.	Inboard
Amphib.	Amphibious	Lg.	Large.
AR	As Required	Lt.	Left
Assy.	Assembly	Lwr.	Lower
Brkt.	Bracket	Opt.	Optional
Btm.	Bottom	Otbd.	Outboard
Bulk.	Bulkhead	Reinf.	Reinforcement
Ctr.	Center	Rr.	Rear
Cyl.	Cylinder	Rt.	Right
Ft.	Front	Sm.	Small
Ftg.	Fitting	SN	Serial Number
Fus.	Fuselage	Spr.	Spreader
Fwd.	Forward	Upr.	Upper
Horiz.	Horizontal	Vert.	Vertical
Hyd.	Hydraulic	W.W.	Wheel Well
		Alum.	Aluminum



## NEW CUSTOMER INFORMATION

<b>Customer Name</b>	
<b>Billing Address</b>	
<b>Shipping address</b>	
Phone Number	Fax Number
Purchasing Contact	Phone Number
E-Mail	Fax Number
Accounts Payable Contact	Phone Number
E-Mail	Fax Number
Type(s) of Floats and Skis owned or Maintained	
Models(s) of Floats and Skis owned or Maintained	
FedEx and/or UPS account number (if applicable)	

Please return to Wipaire Customer Service:

Fax 651-306-0666

Phone 651-306-0459

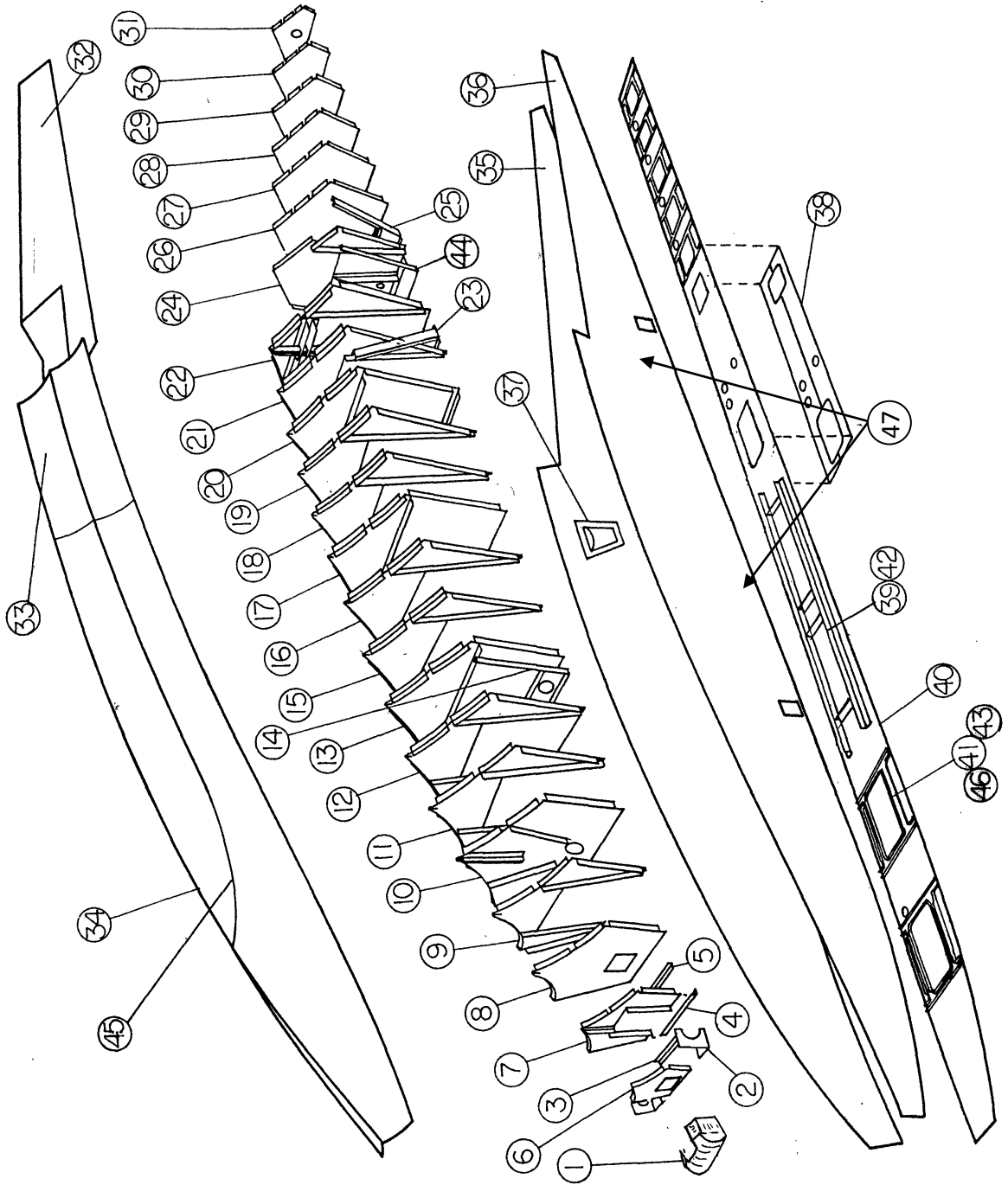
[CustomerService@wipaire.com](mailto:CustomerService@wipaire.com)



# WIPLINE MODEL 8000 FLOAT PARTS MANUAL

THIS PAGE INTENTIONALLY LEFT BLANK

# WIPLINE MODEL 8000 FLOAT PARTS MANUAL



HULL ASSEMBLY - AMPHIBIAN  
FIGURE 1

WIPLINE MODEL 8000 FLOAT PARTS MANUAL

HULL ASSEMBLY - AMPHIBIAN, FIGURE 1

<u>REF NO.</u>	<u>NO.</u>	<u>REQ.</u>	<u>PART DESCRIPTION</u>	<u>PART NO.</u>
	1		ASSEMBLY-FLOAT HULL (AMPHIBIAN) LEFT	8A01000-075
	1		ASSEMBLY-FLOAT HULL (AMPHIBIAN) RIGHT	8A01000-074
1	1		NOSE BUMPER	8A01730-001
	1		ANGLE-BUMPER ATTACH RT	8A01359-114
	1		ANGLE- BUMPER ATTACH LT	8A01359-115
2	2		GUSSET-NOSE BULKHEAD SIDE	8A01156-027
	2		GUSSET-NOSE BULKHEAD TOP	8A01156-028
3	1		ANGLE-TOP SKIN REINFORCEMENT-FWD	8A01339-037
4	1		ANGLE-TOP SKIN REINFORCEMENT-CENTER	8A01361-013
5	1		ANGLE-TOP SKIN REINFORCEMENT-AFT	8A01339-038
	1		SPACER, TOP DECK	8A01156-104
6	1		ASSEMBLY-NOSE BULKHEAD STATION #1	8A01000-076
	1		BULKHEAD	8A01156-025
	2		ANGLE	6A01359-004
	12		NUTPLATE	MS21047L4
7	1		ASSEMBLY-BULKHEAD STATION #2	8A01000-077
	1		BULKHEAD BOTTOM	6A01158-006
	1		ANGLE MAIN KEEL, LT	6A01359-007
	1		ANGLE MAIN KEEL, RT	6A01359-008
	2		ANGLE SISTER KEEL	6A01359-009
	1		BULKHEAD SIDE, RT	8A01005-092
	1		BULKHEAD SIDE, LT	8A01005-093
8	1		ASSEMBLY-BULKHEAD STATION #3	8A01000-078
	1		BULKHEAD BOTTOM	6A01158-007
	1		BULKHEAD TOP	8A01005-094
	1		ANGLE NOSE BOX, RT	8A01359-056
	1		ANGLE NOSE BOX, LT	8A01359-057
	1		ANGLE MAIN KEEL, RT	6A01359-010

WIPLINE MODEL 8000 FLOAT PARTS MANUAL

HULL ASSEMBLY - AMPHIBIAN, FIGURE 1

<u>REF NO.</u>	<u>NO.</u>	<u>REQ.</u>	<u>PART DESCRIPTION</u>	<u>PART NO.</u>
	1		ANGLE MAIN KEEL, LT	6A01359-011
	1		ANGLE SISTER KEEL	6A01359-012
	1		ANGLE SISTER KEEL	6A01359-013
9	1		ASSEMBLY-BULKHEAD STATION #4	8A01000-079
	1		BULKHEAD BOTTOM	6A01158-008
	1		BULKHEAD SIDE, LT	8A01005-095
	1		BULKHEAD SIDE, RT	8A01005-096
	1		ANGLE MAIN KEEL, LT	6A01359-035
	1		ANGLE MAIN KEEL, RT	6A01359-036
	2		ANGLE SISTER KEEL	6A01359-001
10	1		ASSEMBLY-BULKHEAD STATION #5	8A01000-080
	1		BULKHEAD BOTTOM	6A01158-009
	1		BULKHEAD TOP	8A01005-097
	1		ANGLE MAIN KEEL, RT	6A01359-018
	1		ANGLE MAIN KEEL, LT	6A01359-019
	1		ANGLE SISTER KEEL	6A01359-020
	1		ANGLE SISTER KEEL	6A01359-021
11	1		ASSEMBLY-BULKHEAD STATION #6	8A01000-081
	1		BULKHEAD BOTTOM	6A01158-010
	1		BULKHEAD SIDE	8A01005-098
	1		BULKHEAD SIDE	8A01005-099
	1		ANGLE MAIN KEEL	6A01359-002
	1		ANGLE MAIN KEEL	6A01359-003
	2		ANGLE SISTER KEEL	6A01359-001
12	1		ASSEMBLY-BULKHEAD STATION #7	8A01000-082
	1		BULKHEAD BOTTOM #7, FWD	6A01158-011
	1		BULKHEAD BOTTOM #7, AFT	6A01158-012
	1		BULKHEAD SIDE, RT	8A01005-100
	1		BULKHEAD SIDE, LT	8A01005-101
	1		ANGLE MAIN KEEL	6A01359-002
	1		ANGLE MAIN KEEL	6A01359-003
	2		ANGLE SISTER KEEL	6A01359-001

WIPLINE MODEL 8000 FLOAT PARTS MANUAL

HULL ASSEMBLY - AMPHIBIAN, FIGURE 1

<u>REF NO.</u>	<u>NO.</u>	<u>REQ.</u>	<u>PART DESCRIPTION</u>	<u>PART NO.</u>
13	1		ASSEMBLY-BULKHEAD STATION #8 LT.	8A01000-083
	1		ASSEMBLY-BULKHEAD STATION #8 RT.	8A01000-180
	1		BULKHEAD BOTTOM #8, AFT	6A01158-014
	1		BULKHEAD BOTTOM #8-1, FWD	6A01158-013
	1		BULKHEAD TOP	8A01005-102
	1		ANGLE SISTER KEEL	8A01359-060
	1		ANGLE SISTER KEEL	8A01359-061
	1		ANGLE MAIN KEEL, RT	8A01359-058
	1		ANGLE MAIN KEEL, LT	8A01359-059
	1		ANGLE PANEL, LT	8A01357-009
	1		ANGLE PANEL, RT	8A01357-010
	2		ANGLE BAGGAGE FLOOR	8A01352-012
	1		PANEL LEFT	8A01012-001
	1		PANEL RIGHT	8A01012-002
	14	1		ASSEMBLY-FT. SPREADER BAR PANEL-RT.
1			PANEL	8A01012-004
1			PANEL ARM	8A01357-011
1			PANEL ARM	8A01357-012
1			ASSEMBLY-FT. SPREADER BAR PANEL-LT.	8A01000-085
1			PANEL	8A01012-003
1			PANEL ARM	8A01357-012
1			PANEL ARM	8A01357-011
15	1		ASSEMBLY-BULKHEAD STATION #9	8A01000-086
	1		BULKHEAD BOTTOM #9	8A01158-131
	1		BULKHEAD BOTTOM #9-1	8A01158-130
	1		BULKHEAD SIDE	8A01005-103
	1		BULKHEAD SIDE	8A01005-104
	1		ANGLE MAIN KEEL	6A01359-002
	1		ANGLE MAIN KEEL	6A01359-003
	2		ANGLE SISTER KEEL	6A01359-001
16	1		ASSEMBLY-BULKHEAD STATION #10	8A01000-087
	2		BULKHEAD BOTTOM	6A01158-017

WIPLINE MODEL 8000 FLOAT PARTS MANUAL

HULL ASSEMBLY - AMPHIBIAN, FIGURE 1

<u>REF NO.</u>	<u>NO.</u>	<u>REQ.</u>	<u>PART DESCRIPTION</u>	<u>PART NO.</u>
	1		BULKHEAD SIDE, LT	8A01005-105
	1		BULKHEAD SIDE, RT	8A01005-106
	1		ANGLE MAIN KEEL	6A01359-002
	1		ANGLE MAIN KEEL	6A01359-003
	2		ANGLE SISTER KEEL	6A01359-001
17	1		ASSEMBLY-BULKHEAD STATION #11	8A01000-088
	2		BULKHEAD BOTTOM	8A01158-128
	1		BULKHEAD TOP	8A01005-107
	2		ANGLE TOP RAIL	6A01359-004
	2		ANGLE BAGGAGE FLOOR	8A01352-013
	1		ANGLE MAIN KEEL, RT	6A01359-024
	1		ANGLE MAIN KEEL, LT	6A01359-025
	1		ANGLE SISTER KEEL	8A01359-062
	1		ANGLE SISTER KEEL	8A01359-063
18	1		ASSEMBLY-BULKHEAD STATION #12	8A01000-089
	2		BULKHEAD BOTTOM	8A01158-128
	1		BULKHEAD SIDE, RT	8A01005-108
	1		BULKHEAD SIDE, LT	8A01005-109
	1		ANGLE MAIN KEEL	8A01359-064
	1		ANGLE MAIN KEEL	8A01359-065
	2		ANGLE SISTER KEEL	6A01359-001
19	1		ASSEMBLY-BULKHEAD STATION #13 (SAME AS BULKHEAD #12)	8A01000-089
20	1		ASSEMBLY-BULKHEAD STATION #14	8A01000-090
	2		BULKHEAD BOTTOM	8A01158-128
	1		BULKHEAD TOP	8A01005-241
	1		ANGLE MAIN KEEL, RT	6A01359-024
	1		ANGLE MAIN KEEL, LT	6A01359-025
	1		ANGLE SISTER KEEL	8A01359-062
	1		ANGLE SISTER KEEL	8A01359-063
	1		ANGLE HORZ. UPPER	8A01359-090
	1		ANGLE HORZ. LOWER	8A01359-091

WIPLINE MODEL 8000 FLOAT PARTS MANUAL

HULL ASSEMBLY - AMPHIBIAN, FIGURE 1

<u>REF NO.</u>	<u>NO.</u>	<u>REQ.</u>	<u>PART DESCRIPTION</u>	<u>PART NO.</u>
	1		ANGLE TUNNEL	8A01348-004
	1		COVER ACCESS	8A01008-0
	2		ANGLE TOP RAIL	6A01359-004
21	1		ASSEMBLY-BULKHEAD STATION #15	8A01000-091
	2		BULKHEAD BOTTOM	8A01158-128
	1		BULKHEAD SIDE, RT	8A01005-110
	1		BULKHEAD SIDE, LT	8A01005-111
	1		ANGLE MAIN KEEL	8A01359-064
	1		ANGLE MAIN KEEL	8A01359-065
	1		ANGLE CARRY THRU INBD.	8A01359-077
	1		ANGLE CARRY THRU INBD.	8A01359-078
	1		ANGLE CARRY THRU OTBD.	8A01359-079
	1		ANGLE CARRY THRU OTBD.	8A01359-080
	1		ANGLE HORZ.	8A01359-066
22	1		ASSEMBLY-BULKHEAD STATION #16	8A01000-092
	2		BULKHEAD BOTTOM	8A01158-128
	1		BULKHEAD TOP	8A01005-112
	1		ANGLE SISTER KEEL	8A01357-014
	1		ANGLE SISTER KEEL	8A01357-015
	1		ANGLE MAIN KEEL	6A01359-024
	1		ANGLE MAIN KEEL	6A01359-025
	2		ANGLE TRUNION HORZ.	8A01357-013
	1		ANGLE HORZ. UPPER	8A01359-067
	1		ANGLE HORZ. LOWER	8A01359-068
	1		ANGLE AFTERBODY ATTACH	8A01008-096
	1		ANGLE AFTERBODY ATTACH	8A01008-097
	2		DOUBLER BRAKE LINE	4A01008-107
	2		TRUNION	8A04211-001
	2		ANGLE BOTTOM FLANGE	8A01214-002
	8		BOLT	AN4-11A
	16		WASHER	NAS1149D0463J
	8		NUT	MS21045-4
23	1		ASSEMBLY-MIDDLE STRUT PANEL-LEFT	8A01000-105

WIPLINE MODEL 8000 FLOAT PARTS MANUAL

HULL ASSEMBLY - AMPHIBIAN, FIGURE 1

<u>REF NO.</u>	<u>NO.</u>	<u>REQ.</u>	<u>PART DESCRIPTION</u>	<u>PART NO.</u>
	1		PANEL, STRUT, CENTER REAR, RT	8A01012-007
	1		PANEL, STRUT, REAR FRONT, RT	8A01012-010
	1		ARM PANEL, CENTER, LT	8A01012-011
	1		ARM PANEL	8A01012-012
	1		ASSEMBLY-MIDDLE STRUT PANEL-RIGHT	8A01000-104
	1		PANEL, STRUT, CENTER FRONT, RT	8A01012-008
	1		PANEL, STRUT, REAR RT	8A01012-009
	1		ARM PANEL, CENTER LT	8A01012-011
	1		ARM PANEL	8A01012-012
24	1		ASSEMBLY-BULKHEAD STATION #17 LEFT	8A01000-093
	1		BULKHEAD TOP LEFT	8A01008-025
	1		PANEL LOWER	8A01002-041
	1		ANGLE SLIDE TUBE, LT	8A01426-003
	1		ANGLE SLIDE TUBE, RT	8A01426-004
	1		ANGLE CARRY THRU STRAP	8A01359-069
	1		ANGLE CARRT THRU STRAP	8A01359-070
	1		ANGLE HORZ.	8A01359-071
	1		ANGLE HORZ. WHEEL WELL, RT	8A01359-072
	1		ANGLE HORZ. WHEEL WELL, LT	8A01359-073
	1		ANGLE SISTER KEEL	8A01361-023
	1		ANGLE SISTER KEEL	8A01361-024
	1		ASSEMBLY-BULKHEAD STATION #17 RIGHT	8A01000-228
	1		BULKHEAD TOP RIGHT	8A01008-130
	1		PANEL LOWER	8A01002-041
	1		ANGLE SLIDE TUBE, LT	8A01426-003
	1		ANGLE SLIDE TUBE, RT	8A01426-004
	1		ANGLE CARRY THRU STRAP	8A01359-069
	1		ANGLE CARRT THRU STRAP	8A01359-070
	1		ANGLE HORZ.	8A01359-071
	1		ANGLE HORZ. WHEEL WELL, RT	8A01359-072
	1		ANGLE HORZ. WHEEL WELL, LT	8A01359-073
	1		ANGLE SISTER KEEL	8A01361-023
	1		ANGLE SISTER KEEL	8A01361-024



WIPLINE MODEL 8000 FLOAT PARTS MANUAL

HULL ASSEMBLY - AMPHIBIAN, FIGURE 1

<u>REF NO.</u>	<u>NO.</u>	<u>REQ.</u>	<u>PART DESCRIPTION</u>	<u>PART NO.</u>
25	1		ASSEMBLY-AFT.STRUT PANEL-RIGHT	8A01000-106
	1		PANEL	8A01012-007
	1		PANEL	8A01012-010
	1		ARM PANEL	8A01012-013
	1		ARM PANEL	8A01012-014
	1		ASSEMBLY-AFT.STRUT PANEL-LEFT	8A01000-107
	1		PANEL	8A01012-008
	1		PANEL	8A01012-009
	1		ARM PANEL	8A01012-013
	1		ARM PANEL	8A01012-014
26	1		ASSEMBLY-BULKHEAD STATION #18 RIGHT	8A01000-094
	1		BULKHEAD BODY RIGHT	8A01002-042
	6		ANGLE ATTACH	6A01359-004
	1		ASSEMBLY-BULKHEAD STATION #18 LEFT	8A01000-213
	1		BULKHEAD BODY LEFT	8A01002-107
	6		ANGLE ATTACH	6A01359-004
27	1		ASSEMBLY-BULKHEAD STATION #19 LEFT	8A01000-095
	1		BULKHEAD BODY LEFT	8A01002-043
	4		ANGLE ATTACH	6A01359-004
	1		ASSEMBLY-BULKHEAD STATION #19 RIGHT	8A01000-212
	1		BULKHEAD BODY RIGHT	8A01002-104
	4		ANGLE ATTACH	6A01359-004
28	1		ASSEMBLY-BULKHEAD STATION #20 RIGHT	8A01000-096
	1		BULKHEAD BODY RIGHT	8A01002-044
	1		DOUBLER CABLE	8A01156-074
	2		BRACKET PULLEY	3A01151-010
	4		ANGLE ATTACH	6A01359-004
	1		COTTER PIN	MS24665-136

WIPLINE MODEL 8000 FLOAT PARTS MANUAL

HULL ASSEMBLY - AMPHIBIAN, FIGURE 1

<u>REF NO.</u>	<u>NO.</u>	<u>REQ.</u>	<u>PART DESCRIPTION</u>	<u>PART NO.</u>
	1		ASSEMBLY-BULKHEAD STATION #20 LEFT	8A01000-179
	1		BULKHEAD BODY LEFT	8A01002-103
	1		DOUBLER CABLE	8A01156-074
	2		BRACKET PULLEY	3A01151-010
	4		ANGLE ATTACH	6A01359-004
	1		COTTER PIN	MS24665-136
29	1		ASSEMBLY-BULKHEAD STATION #21 LEFT	8A01000-097
	1		BULKHEAD BODY, LT	8A01002-045
	4		ANGLE ATTACH	6A01359-004
	1		ASSEMBLY-BULKHEAD STATION 21 RIGHT	8A01000-214
	1		BULKHEAD BODY, RT	8A01002-106
	4		ANGLE ATTACH	6A01359-004
30	1		ASSEMBLY-BULKHEAD STATION #22 RIGHT	8A01000-098
	1		BULKHEAD BODY RIGHT	8A01002-046
	4		ANGLE ATTACH	6A01359-004
	2		BRACKET PULLEY	3A01151-010
	1		DOUBLER PULLEY BRACKET, RT	8A01003-032
	1		COTTER PIN	MS24665-136
	1		ASSEMBLY-BULKHEAD STATION #22 LEFT	8A01000-181
	1		BULKHEAD BODY LEFT	8A01002-105
	4		ANGLE ATTACH	6A01359-004
	2		BRACKET PULLEY	3A01151-010
	1		DOUBLER PULLEY BRACKET, LT	8A01003-031
	1		COTTER PIN	MS24665-136
31	1		ASSEMBLY-BULKHEAD STATION #23	8A01000-099
	1		BULKHEAD BODY	8A01002-047
	4		ANGLE ATTACH	6A01359-004
	1		CASTING PIVOT	3A01437-001
	1		ANGLE AFTERBODY, LT	8A01361-021
	1		ANGLE AFTERBODY, RT	8A01361-022
	1		ANGLE TOP REINFORCEMENT	6A01352-004

WIPLINE MODEL 8000 FLOAT PARTS MANUAL

HULL ASSEMBLY - AMPHIBIAN, FIGURE 1

<u>REF NO.</u>	<u>NO.</u>	<u>REQ.</u>	<u>PART DESCRIPTION</u>	<u>PART NO.</u>
	1		ANGLE HORZ.	8A01359-074
32	1		SKIN-AFT, RT	8A01158-138
	1		SKIN-AFT, LT	8A01158-139
33	2		SPLICE – BOTTOM SKIN	8A01002-048
34	1		BOTTOM SKIN, LT	8A01151-059
	1		BOTTOM SKIN, RT	8A01151-060
35	1		SKIN, SIDE OUTBOARD, RT	8A01158-024
	1		SKIN, SIDE OUTBOARD, LT	8A01158-023
36	1		SKIN, SIDE INBOARD, RT	8A01158-022
	1		SKIN, SIDE INBOARD, LT	8A01158-021
37	2		STEP – BOARDING	3A01000-005
38	1		DOUBLER-TOP SKIN, INBOARD, LT	8A01001-009
	1		DOUBLER-TOP SKIN, OUTBOARD, LT	8A01001-011
	1		DOUBLER-TOP SKIN, INBOARD, RT	8A01001-008
39	1		DOUBLER, TOP SKIN, OUTBOARD, RT	8A01001-010
	1		ANGLE, BAGGAGE COMPARTMENT, INBOARD	8A01348-006
	1		ANGLE, BAGGAGE COMPARTMENT, INBOARD	8A01348-005
	4		ANGLE, TOP SKIN, BAGGAGE COMPARTMENT	8A01352-014
40	1		SKIN, TOP, RT	8A01158-026
	1		SKIN, TOP, LT	8A01158-025
41	7		ASSY, REINFORCEMENT, INSPECTION COVER	8A01000-113
	14		ANGLE, COVER REINFORCEMENT	8A01352-019
42	2		ASSY, BAGGAGE COVER (PRE SEPT. 1989)	8A01000-115
	2		ASSY, BAGGAGE LATCH, SOUTHCO (PLASTIC)	6A01000-166
	1		HINGE – SHEPPARD CO. (PLASTIC)	1 ½"

WIPLINE MODEL 8000 FLOAT PARTS MANUAL

HULL ASSEMBLY - AMPHIBIAN, FIGURE 1

<u>REF NO.</u> <u>NO. REQ.</u>	<u>PART DESCRIPTION</u>	<u>PART NO.</u>
2	ASSY, BAGGAGE COVER (AFTER SEPT. 1989)	8A01000-126
1	HINGE TOP	8A01740-002
1	HINGE BOTTOM	8A01741-002
2.06 FT	HINGE PIN	1002186
2	SPRING LOCK	3A01525-003
2	LOCK INSERT	3A01273-004
2	LOCK CATCH	3A01702-004
2	RING LOCK OPENING	1002663
2	BLOCK RETAINER	3A01206-001
1	GASKET	1001571
18	POP RIVETS	01692-0410
2	STIFFENER, BAG COVER, VERT	8A01004-023
1	STIFFENER, BAGGAGE, FWD	8A01004-024
2	STIFFENER, BAGGAGE, CENTER & REAR	8A01004-069
1	COVER, BAGGAGE	8A01162-003
2	SCREW, BAGGAGE COVER	10/32 X 1/2 SS
43	1 ASSEMBLY-INSPECTION COVER (SMALL)	8A01000-114
	1 COVER SEAL	8A01567-006
	1 COVER, INSPECTION	8A01163-005
	2 ANGLE, INSPECTION COVER	8A01340-021
	1 INSPECTION COVER ASSEMBLY (LARGE)	8A01000-122
	1 INSPECTION COVER GASKETS	8A01567-007
	1 COVER, INSPECTION	8A01163-006
	2 ANGLE, COVER MED. REINFORCEMENT	3A01340-014
44	1 PANEL ASSY, SPREADER BAR	8A01000-101
	1 PANEL, SPREADER BAR, REAR RT	8A01012-006
	1 ANGLE, SPREADER BAR PANEL, AFT	8A01357-016
	1 ANGLE, SPREADER BAR PANEL, AFT	8A01357-017
45	1 DOUBLER, BOTTOM SKIN, RT	8A01002-096
	1 DOUBLER, BOTTOM SKIN, LT	8A01002-095
46	A/R TINNERMAN NUT PLATE	9A3-671

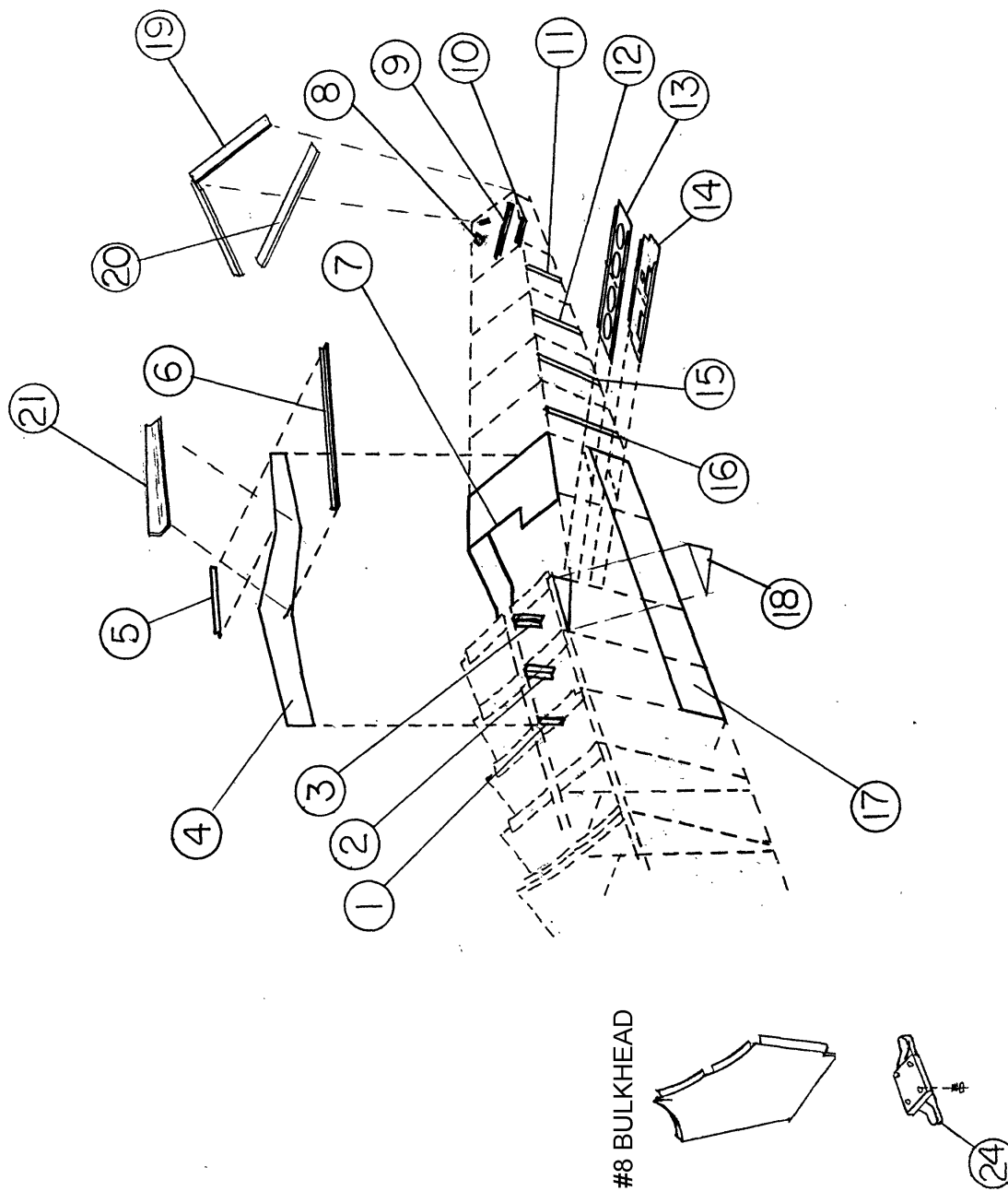
WIPLINE MODEL 8000 FLOAT PARTS MANUAL

HULL ASSEMBLY - AMPHIBIAN, FIGURE 1

<u>REF NO.</u>	<u>NO.</u>	<u>REQ.</u>	<u>PART DESCRIPTION</u>	<u>PART NO.</u>
	A/R		TAPE INSULATOR	9903-10-36
	*		TINNERMAN NUT WITH TAPE APPLIED	1002481
47	2		PADDLE BRACKET	1002114
	2		CLIP	3A01503-001
	1		STOP, RT	6A01156-058
	1		STOP, LH	6A01156-059

\* DENOTES PARTS ORDER REPLACEMENT

WIPLINE MODEL 8000 FLOAT PARTS MANUAL



HULL ASSEMBLY – AMPHIBIAN  
FIGURE 2

WIPLINE MODEL 8000 FLOAT PARTS MANUAL

HULL ASSEMBLY - AMPHIBIAN, FIGURE 2

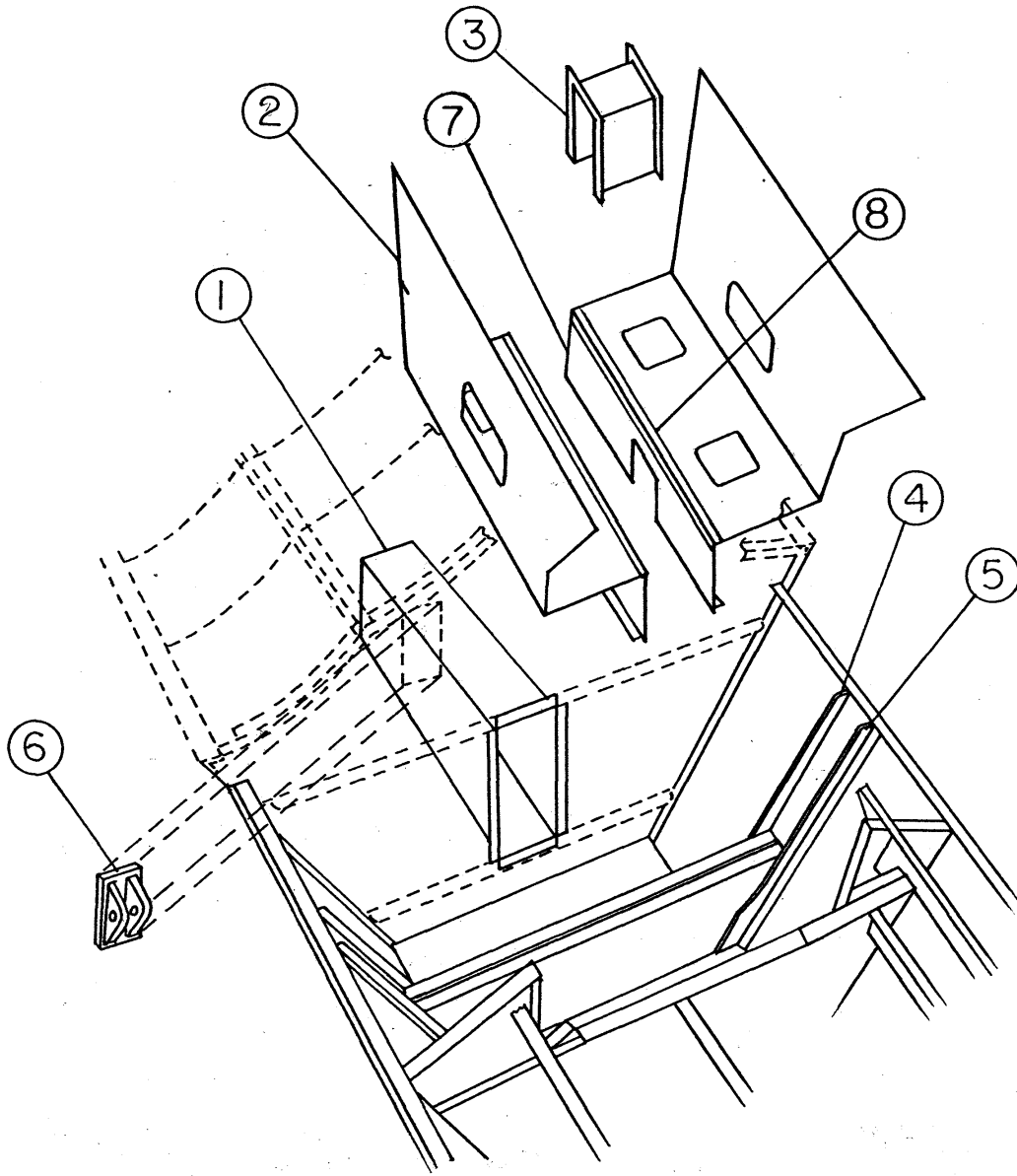
<u>REF NO.</u>	<u>NO.</u>	<u>REQ.</u>	<u>PART DESCRIPTION</u>	<u>PART NO.</u>
1	2		SPACER	8A01156-034
2	1		ANGLE, CARRY THRU, OTBD, RT	8A01359-080
	1		ANGLE, CARRY THRU, OTBD, LT	8A01359-079
	1		ANGLE, CARRY THRU, INBD, LT	8A01359-077
	1		ANGLE, CARRY THRU, INBD, RT	8A01359-078
3	1		ANGLE, CARRY THRU, LT	8A01359-081
	1		ANGLE, CARRY THRU, RT	8A01359-082
4	2		CARRY THRU STRAP	8A01001-006
5	2		ANGLE, STRAP-ANGLE, CARRY THRU	6A01008-070
6	1		ANGLE-CARRYTHRU TO SKIN OUTBOARD-RIGHT	8A01008-026
	1		ANGLE-CARRYTHRU TO SKIN INBOARD-LEFT	8A01008-027
7	1		DOUBLER, AFTERBODY SKIN	8A01008-032
8	1		GUSSET, LT	8A01002-049
	1		GUSSET, RT	8A01002-050
	2		SPACER	8A01163-025
9	1		ANGLE, HORIZONTAL, BULKHEAD #23	8A01359-074
10	1		ANGLE, TOP SKIN REINFORCEMENT	6A01352-004
11	2		STIFFENER, SIDE SKIN	8A01151-058
12	2		STIFFENER, SIDE SKIN	8A01151-057
13	1		ASSY, BRACE PANEL, LOWER	8A01000-109
14	1		ASSY, BRACE PANEL, UPPER	8A01000-108
15	2		STIFFENER, SIDE SKIN	8A01151-056

WIPLINE MODEL 8000 FLOAT PARTS MANUAL

HULL ASSEMBLY - AMPHIBIAN, FIGURE 2

<u>REF NO.</u>	<u>NO.</u>	<u>REQ.</u>	<u>PART DESCRIPTION</u>	<u>PART NO.</u>
16	2		STIFFENER, SIDE SKIN	8A01151-055
17	1		DOUBLER, SIDE SKIN, OTBD, LT	8A01008-033
	1		DOUBLER, SIDE SKIN, OTBD, RT	8A01008-034
	1		DOUBLER, SIDE SKIN, INBD, LT	8A01008-035
	1		DOUBLER, SIDE SKIN, INBD, RT	8A01008-036
18	2		DOUBLER, STEP SIDE	8A01002-100
19	2		SPACER, SKIN, AFT	8A01156-036
20	1		SPACER, SKIN, TOP	8A01156-035
21	1		ANGLE, CARRY THRU STRAP, RT	8A01008-030
	1		ANGLE, CARRY THRU STRAP, LT	8A01008-031
22	1		REINFORCEMENT, REAR CLEAT	8A01156-031
23	1		SPACER, CLEAT REINFORCEMENT, AFT	8A01156-033
24	2		CLEAT, TIE DOWN	6A01213-003
	4		BOLT	AN4-7A
	8		WASHER	NAS1149F0416
	4		NUT	MS21044N4
25	2		FLOOR, BAGGAGE COMP., AFT, RT	8A01008-136
	2		FLOOR, BAGGAGE COMP., FWD, LT	8A01008-137





WHEEL WELL AREA  
FIGURE 3

WIPLINE MODEL 8000 FLOAT PARTS MANUAL

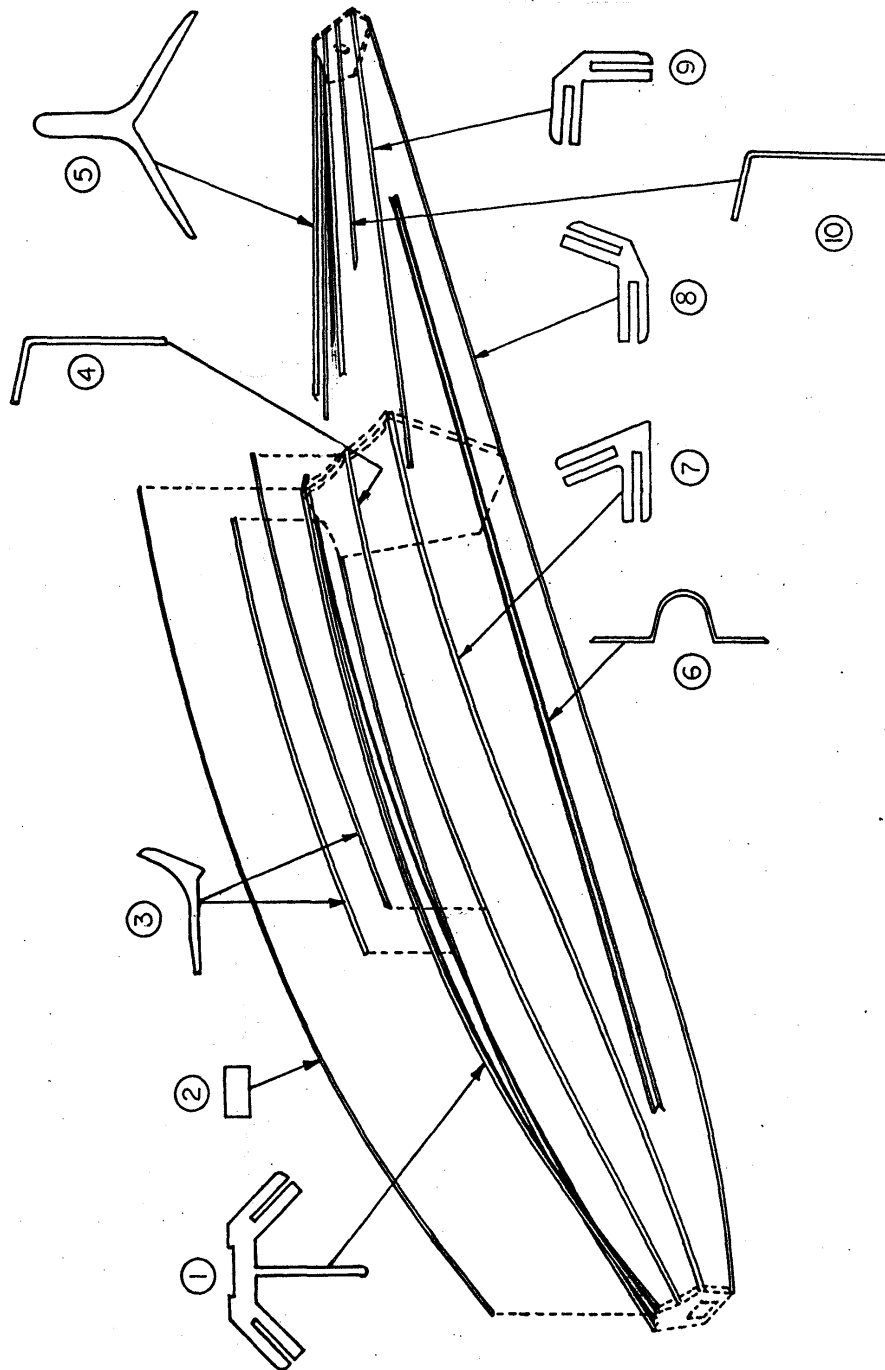
WHEEL WELL AREA, FIGURE 3

<u>REF NO.</u>	<u>NO.</u>	<u>REQ.</u>	<u>PART DESCRIPTION</u>	<u>PART NO.</u>	
1	1		TUNNEL ASSY.	8A01000-110	
	1		FITTING, FWD, SLIDE TUBE	6A01201-001	
	1		COVER, TUNNEL	6A01005-054	
	A/R		SCREW, COVER ATTACH	AN526-632R4	
2	1		ASSY, WHEEL WELL HALF, LT (UPPER)	8A01000-111	
	1		WHEEL WELL HALF, LT	8A01005-115	
	1		COVER-RING	6A01156-014	
	2		COVER-RING	6A01156-013	
	1		ASSEMBLY-WHEEL WELL HALF-RIGHT (UPPER)	8A01000-112	
	1		WHEEL WELL HALF, RT	8A01005-116	
	1		COVER-RING	6A01156-014	
	2		COVER-RING	6A01156-013	
	1		COVER-ACCESS (5"X 8")	6A01158-151	
	A/R		SCREW-COVER ATTACH	AN526C632R4	
	2		COVER-ACCESS (5"X 5")	6A01158-152	
	3	1		COVER, SPREADER BAR PANEL	8A01158-045
	4	1		ASSY, SPREADER BAR PANEL, FWD, LT	8A01000-101
		1		ASSY, SPREADER BAR PANEL, FWD, RT	8A01000-100
5	1		ASSY, SPREADER BAR PANEL, REAR, AFT, LT	8A01000-103	
	1		ASSY, SPREADER BAR PANEL, REAR, AFT, RT	8A01000-102	
6	2		TRUNION-MAIN GEAR	8A04211-001	
	4		BOLT-ATTACH	AN4-11A	
	8		WASHER	NAS1149D0463J	
	4		NUT	MS21044N4	
7	1		ASSY, WHEEL WELL HALF LT. LOWER	8A01000-127	
	1		ASSY, WHEEL WELL HALF RT. LOWER	8A01000-128	

WIPLINE MODEL 8000 FLOAT PARTS MANUAL

WHEEL WELL AREA, FIGURE 3

<u>REF NO.</u>	<u>NO.</u>	<u>REQ.</u>	<u>PART DESCRIPTION</u>	<u>PART NO.</u>
8	1		ANGLE WHELL WELL	8A01340-026
	1		ANGLE WHEEL WELL	8A01340-027



EXTRUSIONS - HULL - AMPHIBIAN  
FIGURE 4

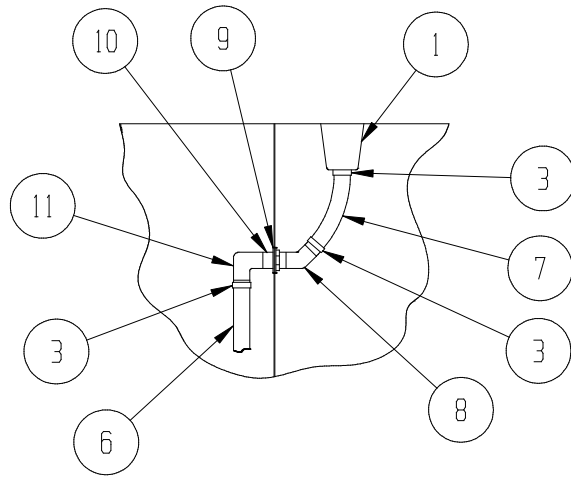
## WIPLINE MODEL 8000 FLOAT PARTS MANUAL

## EXTRUSIONS - HULL - AMPHIBIAN, FIGURE 4

<u>REF NO.</u>	<u>NO. REQ.</u>	<u>PART DESCRIPTION</u>	<u>PART NO.</u>
1	1	KEEL-MAIN	8A01354-005
2	1	WEAR STRIP	8A01200-003
	2	SCREW-ATTACH	MS24693S50
	1	GLUE KIT	1838 B/A
3	1	SISTER KEEL, OUTER, LT	8A01342-005
	1	SISTER KEEL, OUTER, RT	8A01342-006
4	1	SISTER KEEL, INNER, RT	8A01361-014
	1	SISTER KEEL, INNER, LT	8A01361-015
5	1	KEEL, AFT	8A01347-005
6	1	STIFFENER, SIDE SKIN, RT	8A01353-002
	1	STIFFENER, SIDE SKIN, LT	8A01353-003
7	1	CHINE, FWD, LT	8A01351-005
	1	CHINE, FWD, RT	8A01351-006
8	1	GUNWALL, LT	8A01366-005
	1	GUNWALL, RT	8A01366-006
9	1	CHINE, AFT, LT	8A01363-005
	1	CHINE, AFT, RT	8A01363-006
10	1	SISTER KEEL, INBD, AFT, RT	8A01361-018
	1	SISTER KEEL, INDB, AFT, LT	8A01361-019
	1	SISTER KEEL, OTBD, AFT, LT	8A01361-017
	1	SISTER KEEL, OTBD, AFT, RT	8A01361-016

THIS PAGE INTENTIONALLY LEFT BLANK

WIPLINE MODEL 8000 FLOAT PARTS MANUAL



R111 KHFAD #11 & #18

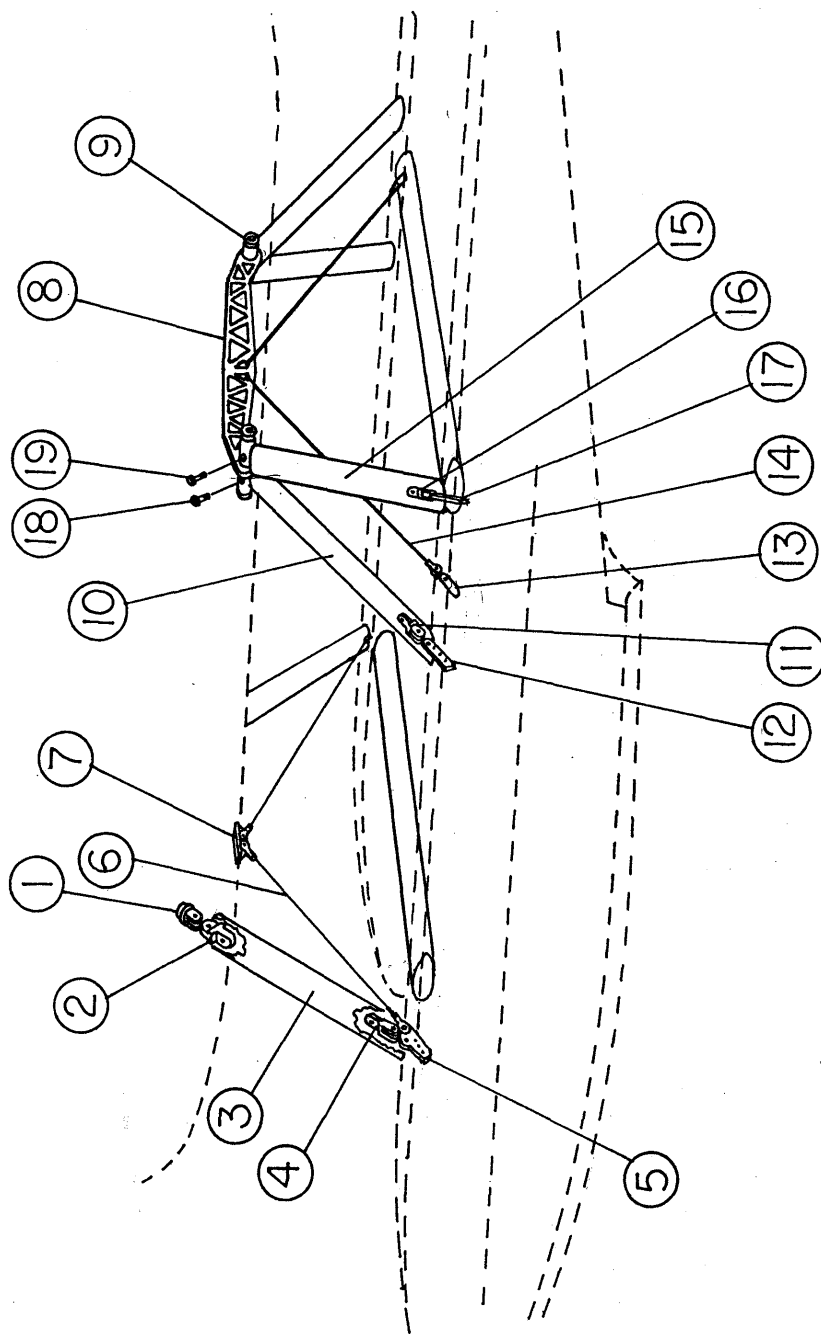
PUMPER TUBE INSTALLATION  
FIGURE 5

WIPLINE MODEL 8000 FLOAT PARTS MANUAL

PUMPER TUBE INSTALLATION  
FIGURE 5

<u>REF NO.</u>	<u>NO. REQ.</u>	<u>PART DESCRIPTION</u>	<u>PART NO.</u>
1	1	PUMP-OUT CUP	4A01749-001
2	1	RING, REINFORCEMENT (PLASTIC CUPS ONLY)	3A01158-005
	A/R	RIVETS (SOFT) (PLASTIC CUPS ONLY)	AN470A4-5
3	1	CLAMP, PLASTIC, WHITE	57134
4	1	CLAMP, PUMP OUT TUBE	3A01158-003
5	1	STOPPER, PUMPER TUBE	2111
6	1	PUMPER TUBE, STN #5, 30"	8A01618-020
	1	PUMPER TUBE, STN #8, 36.5"	8A01618-021
	1	PUMPER TUBE, STN #11, 30.75" FRONT	8A01618-022
	1	PUMPER TUBE, STN #11, 59" BACK	8A01618-023
	1	PUMPER TUBE, STN #16/17, 37" FRONT	8A01618-024
	2	PUMPER TUBE, STN W/W, 28.5"	8A01618-025
	1	PUMPER TUBE, STN #16 BACK, 47.25" (USE IN PLACE OF -025 ABOVE)	8S01618-032
	1	PUMPER TUBE, STN #18, 26.5"	8A01618-027
	1	PUMPER TUBE, STN #19, 23"	8A01618-028
	1	PUMPER TUBE, STN #20, 19.5"	8A01618-029
	1	PUMPER TUBE, STN #21, 16.5"	8A01618-030
	1	PUMPER TUBE, STN #22, 12.5"	8A01618-031
7	2	GARDEN HOSE	9"
8	2	½" PVC	45° ELBOW
9	2	GROMMET	MS35489-19
10	2	½" PVC	1 3/8"
11	2	½" PVC (ENOUGH FOR BOTH BULKHEADS, EACH FLOAT STN 7-10)	90° ELBOW





INSTALLATION - STRUTS AND DRAG WIRES  
FIGURE 6

WIPLINE MODEL 8000 FLOAT PARTS MANUAL  
 INSTALLATION – STRUTS AND DRAG WIRES  
 FIGURE 6

<u>REF NO.</u>	<u>NO. REQ.</u>	<u>PART DESCRIPTION</u>	<u>PART NO.</u>	
1	2	FITTING, STRUT TO FUSELAGE FWD	8A02195-006	
	2	BOLT-ATTACH	MS20008-15	
	2	WASHER	MS20002C8	
	2	BARREL NUT	8A02458-003	
	2	RETAINER	2452-080RET	
2	2	FITTING, STRUT FWD UPPER	8A02198-012	
	2	BOLT-ATTACH UPPER	AN8-23A	
	2	WASHER	NAS1149D0863J	
	2	NUT	MS21044N8	
	2	BOLT-ATTACH LOWER	AN28-30A	
	4	WASHER	NAS1149D0816J	
	2	NUT	MS21083N8	
3	1	ASSY, FRONT STRUT, RT	8A02000-036	
	2	FITTING, STRUT FRONT	8A02198-007	
	1	STRUT, FWD, RT	8A02356-024	
	1	TUBE, FRONT STRUT SUPPORT	8A02409-001	
	12	SCREW	MS24694S145	
	1	ASSY, FRONT STRUT, LT	8A02000-037	
	2	FITTING, STRUT FRONT	8A02198-007	
	1	STRUT, FWD, LT	8A02356-023	
	1	TUBE, FRONT STRUT SUPPORT	8A02409-001	
	12	SCREW	MS24694S145	
	4	2	FITTING, STRUT FWD, LOWER	8A02198-013
		2	BOLT, ATTACH UPPER END	AN28-30A
		2	WASHER	NAS1149D0816J
		2	NUT	MS21083N8
2		BOLT, ATTACH LOWER END	AN8-22A	
2		WASHER	NAS1149D0863J	
2		NUT	MS21044N8	
5		1	FITTING, BRACE WIRE/STRUT FWD. LT	8A02067-001
	1	FITTING, BRACE WIRE/STRUT FWD. RT	8A02067-002	
	3	BOLT-ATTACH TO FLOAT	AN6-27A	

WIPLINE MODEL 8000 FLOAT PARTS MANUAL  
 INSTALLATION – STRUTS AND DRAG WIRES  
 FIGURE 6

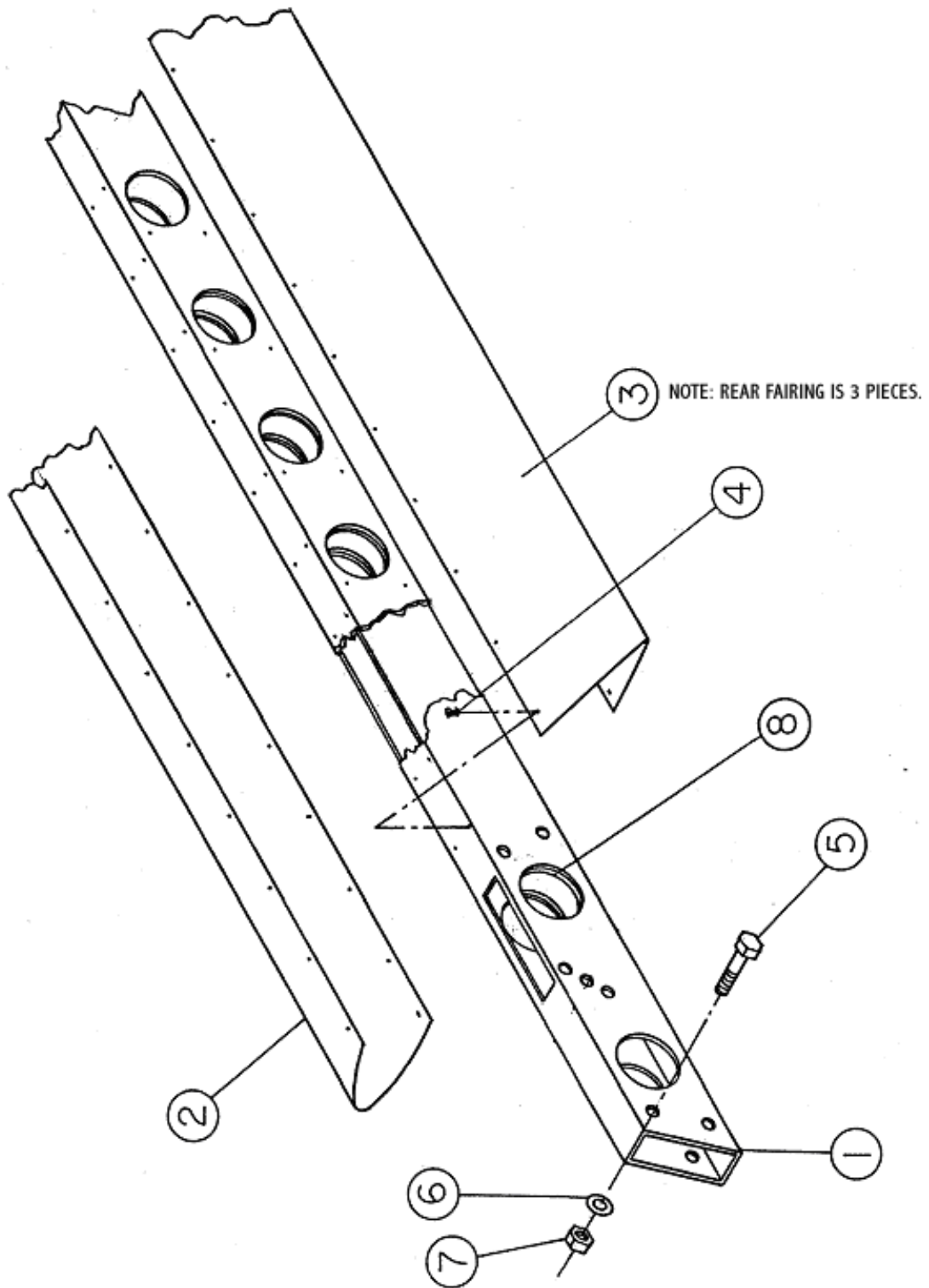
<u>REF NO.</u>	<u>NO. REQ.</u>	<u>PART DESCRIPTION</u>	<u>PART NO.</u>
	3	WASHER	NAS1149D0663J
	3	NUT	MS21044N6
6	2	ASSY, FLY WIRE, FWD	8A02000-043
	2	TIE ROD	AN680AC6075
	2	TERMINAL	AN665-247RS *
	2	TERMINAL	AN665-247LS *
	2	JAM NUT	AN316C10R
	2	JAM NUT	AN316C10L
	4	CLEVIS PIN	MS20392-9C33
	4	COTTER PIN	MS24665-444
7	1	FITTING, BRACE WIRE FWD (Aircraft with relish tray)	8A02100-003
		FITTING, BRACE WIRE FWD (Aircraft without relish tray)	8A02100-001
	8	BOLT-ATTACH	NAS6606-13
	12	WASHER	NAS1149D0663J
	8	NUT	MS21042L6
8	1	BEAM TRUSS	8A02057-002
9	2	AXLE-BEAM ENDS	8A02088-001
10	1	ASSY, CENTER STRUT RT	8A02000-038
	1	ASSY, CENTER STRUT LT	8A02000-039
	1	STRUT, MID. RT	8A02356-026
	1	STRUT MID. LT	8A02356-025
	1	FITTING, STRUT, CENTER TOP	8A02198-008
	1	FITTING, STRUT, CENTER LOWER	8A02198-009
	16	SCREW	MS24694S145
11	2	FITTING, CENTER STRUT	8A02198-014
	2	BOLT, TOP ATTACH	AN12-24A
	2	WASHER	NAS1149D1216J
	2	NUT	MS21044N12
	2	BOLT, LOWER ATTACH	AN12-24A
	4	WASHER	NAS1149D1216J
	2	NUT	MS1044N12

WIPLINE MODEL 8000 FLOAT PARTS MANUAL  
 INSTALLATION – STRUTS AND DRAG WIRES  
 FIGURE 6

<u>REF NO.</u>	<u>NO. REQ.</u>	<u>PART DESCRIPTION</u>	<u>PART NO.</u>
12	1	FITTING, CENTER STRUT, FLOAT, RT	8A02195-002
	1	FITTING, CENTER STRUT, FLOAT, LT	8A02195-003
	12	BUSHING (ALUMINUM)	8A02095-001
	6	BOLT, ATTACH	AN6-26A
	6	WASHER	NAS1149D0663J
	6	NUT	MS21044N6
13	1	FITTING, REAR DRAG WIRE, RT	8A02046-002
	1	FITTING, REAR DRAG WIRE, LT	8A02046-003
	3	BOLT-ATTACH	AN8-31A
	6	WASHER	NAS1149D0863J
	3	NUT	MS21044N8
14	2	ASS'Y, DRAG WIRE, AFT	8A02000-042
	2	TERMINAL	AN665-430LS *
	2	JAMB NUT, LT	AN316-C12L
	2	JAMB NUT, RT	AN316-C12R
	2	CLEVIS PIN	MS20392-10C41
	2	COTTER PIN	MS24665-444
	2	BARREL NUT	8A02458-004
15	1	ASS'Y, AFT STRUT, RT	8A02000-040
	1	ASS'Y, AFT STRUT, LT	8A02000-041
	1	STRUT BLANK, RT	8A02356-028
	1	STRUT BLANK, LT	8A02356-027
	1	FITTING, UPPER END	8A02198-010
	1	FITTING, LOWER END	8A02198-011
	16	SCREW	MS24694S145
16	2	FITTING, AFT STRUT	8A02198-015
	2	BOLT, ATTACH UPPER	AN30-31A
	4	WASHER	NAS1149D1016J
	2	NUT	MS21083N10
	2	BOLT, ATTACH LOWER	AN10-23A
	2	WASHER	NAS1149D1063J
	2	NUT	MS21044N10

WIPLINE MODEL 8000 FLOAT PARTS MANUAL  
 INSTALLATION – STRUTS AND DRAG WIRES  
 FIGURE 6

<u>REF NO.</u>	<u>NO. REQ.</u>	<u>PART DESCRIPTION</u>	<u>PART NO.</u>
17	1	FITTING, AFT STRUT FLOAT, RT	8A02195-004
	1	FITTING, AFT STRUT FLOAT, LT	8A02195-005
	6	BUSHING (ALUMINUM)	8A02095-001
	3	BOLT, ATTACH	AN6-26A
	3	WASHER	NAS1149D0663J
	3	NUT	MS21044N6
18	2	BOLT-ATTACH	AN12-36A
	2	WASHER	NAS1149D1290J
	2	NUT	MS21044N12
	4	SPACER	8A02205-001
19	2	BOLT-ATTACH	AN10-35A
	2	WASHER	NAS1149D1063J
	2	NUT	MS21044N10
	4	SPACER	8A02205-002



ASSEMBLY SPREADER BAR  
FIGURE 7

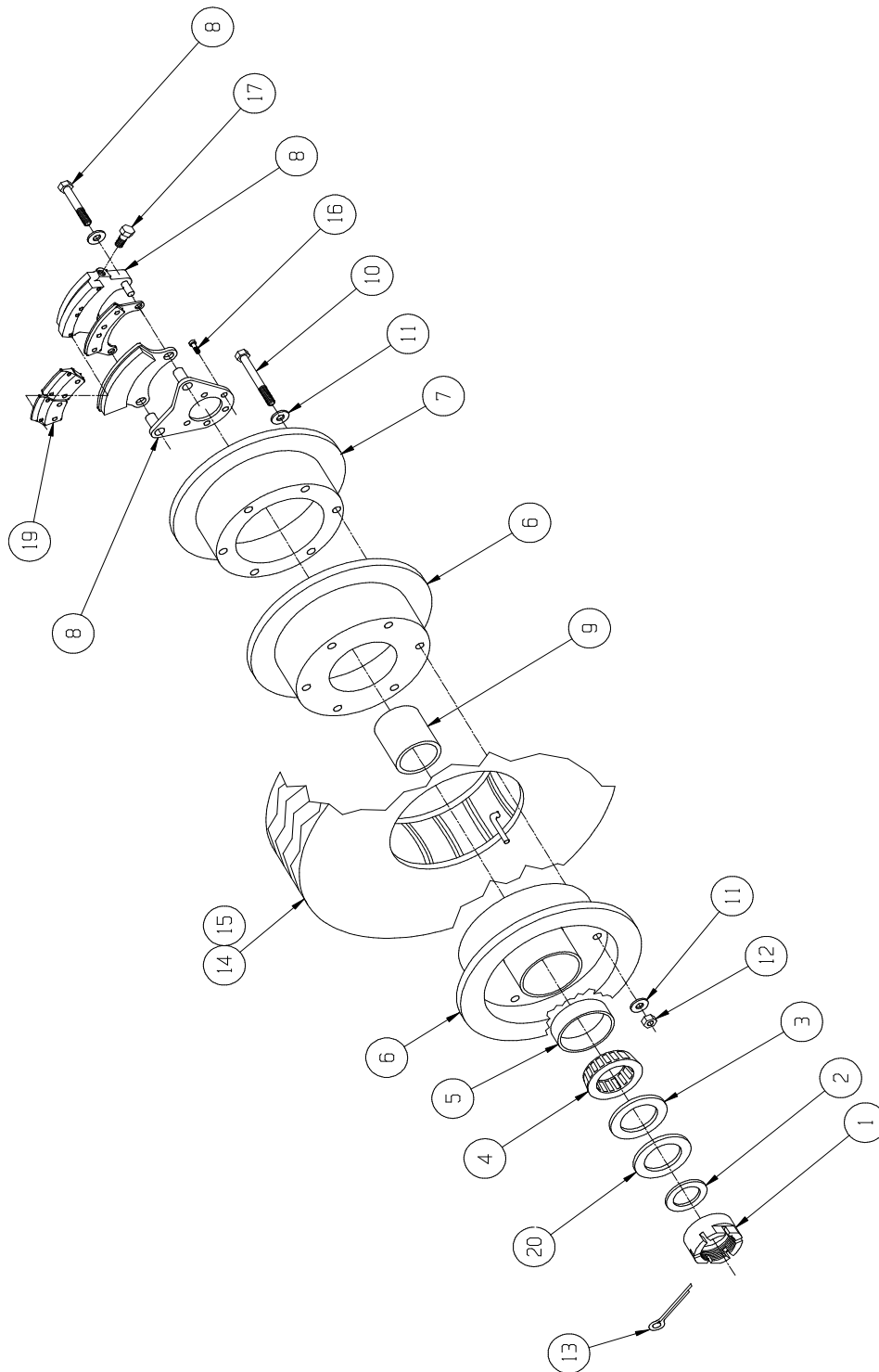
WIPLINE MODEL 8000 FLOAT PARTS MANUAL

ASSEMBLY SPREADER BAR

FIGURE 7

<u>REF NO.</u> <u>NO. REQ.</u>	<u>PART DESCRIPTION</u>	<u>PART NO.</u>
1	ASSEMBLY SPREADER BAR, FRONT	8A03000-008
1	ASSEMBLY SPREADER BAR, REAR	8A03000-009
1	1 SPREADER BAR, FRONT (Without inserts)	8A03410-001
	SPREADER BAR, FRONT (With Inserts)	8A03000-034
1	1 SPREADER BAR, REAR (Without Inserts)	8A03410-002
	SPREADER BAR, REAR (With Inserts)	8A03000-035
2	2 FAIRING, SPREADER BAR, LEADING EDGE (FT & RR)	8A03005-393
	ANTI-CHAFF TAPE	PM-T1
3	2 FAIRING, SPREADER BAR, TRAILING EDGE, LT	8A03005-395
	2 FAIRING, SPREADER BAR, TRAILING EDGE, RT	8A03005-394
	1 FAIRING, SPREADER BAR, TRAILING EDGE, CENTER, FT	8A03005-396
	1 FAIRING, SPREADER BAR, TRAILING EDGE, CENTER, RR	8A03005-397
4	A/R SCREW-FAIRING ATTACH	LP526-632R6
5	4 BOLT	AN8-32A
6	8 WASHER	NAS1149D0863J
7	4 NUT	MS21044N8
8	1 SUPPORT INSERT, FWD. SPREADER BAR, REAR LT	8A03049-001
	1 SUPPORT INSERT, FWD. SPREADER BAR, FRONT RT	8A03049-001
	1 SUPPORT INSERT, FWD. SPREADER BAR, REAR RT	8A03049-004
	1 SUPPORT INSERT, FWD. SPREADER BAR, FRONT LT	8A03049-004
	1 SUPPORT INSERT, REAR SPREADER BAR, REAR LT	8A03049-003
	1 SUPPORT INSERT, REAR SPREADER BAR, FRONT RT	8A03049-003
	1 SUPPORT INSERT, REAR SPREADER BAR, REAR RT	8A03049-002
	1 SUPPORT INSERT, REAR SPREADER BAR, FRONT LT	8A03049-002
9	1 COVER CABLE, REAR, WITH GASKET	8A08000-078

WIPLINE MODEL 8000 FLOAT PARTS MANUAL



CLEVELAND/PARKER MANUFACTURED  
MAIN GEAR WHEEL ASSEMBLY  
FIGURE 8



WIPLINE MODEL 8000 FLOAT PARTS MANUAL

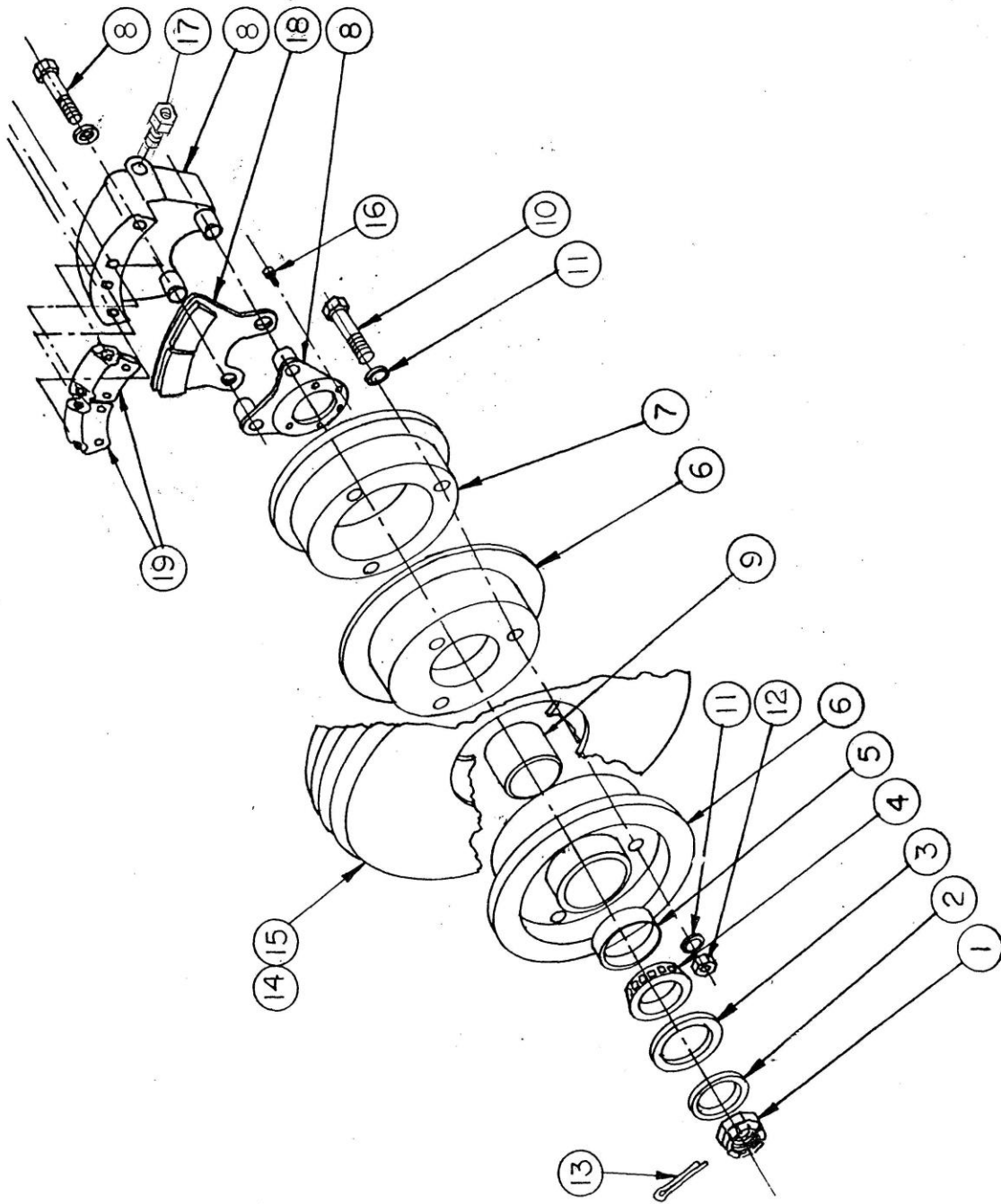
CLEVELAND/PARKER MAIN GEAR WHEEL ASSEMBLY  
FIGURE 8

<u>REF NO.</u>	<u>NO. REQ.</u>	<u>PART DESCRIPTION</u>	<u>PART NO.</u>
	4	WHEEL ASS'Y W/ TIRE & TUBE	8A04000-031
1	1	NUT, AXLE	MS21025-24
2	2	SPACER, MAIN WHEEL AXLE	6A04093-002
3	1	SEAL, OUTSIDE (DRILL # 50 HOLE, OUTSIDE FACE)	472439
	1	SEAL, INSIDE	473232
4	2	BEARING, CONE (CLEVELAND)	13889
5	2	BEARING, CUP (CLEVELAND)	13836
6	4	WHEEL ASSEMBLY-COMplete (CLEVELAND)	40-418
		WHEEL ASSEMBLY-COMplete(With Chrome brake disc)	40-418-3
7	1	BRAKE DISC	164-24500
		CHROME PLATED BRAKE DISC	164-24501
8	4	BRAKE ASS'Y, COMPLETE	30-241
	2	ASS'Y, BRAKE CALIPER, RT	6A04000-104
	2	ASS'Y, BRAKE CALIPER, LT	6A04000-105
	1	BRAKE TORQUE PLATE	075-20700
	2	BUSHING	145-01000
	4	BRAKE PADS (ONLY) (NEW STYLE)	066-10500
		(OLD STYLE BRAKE PADS)	066-30026
	4	BOLTS (BRAKE PADS)	MS21250H04026
	4	BRAKE PAD BOLT WASHERS	MS20002C4
	8	RIVETS (BRAKE PADS)	105-00200
	1	BLEEDER SEAT	081-00200
	1	BLEEDER SCREW	079-00300
	1	BLEEDER CAP	183-00100
	2	ANCHOR BOLT	069-03100
	2	PISTON	062-10700
	2	"O" RING PISTON	MS28775-222

WIPLINE MODEL 8000 FLOAT PARTS MANUAL

CLEVELAND/PARKER MAIN GEAR WHEEL ASSEMBLY  
FIGURE 8

<u>REF NO.</u>	<u>NO. REQ.</u>	<u>PART DESCRIPTION</u>	<u>PART NO.</u>
	1	"O" RING BLEEDER	MS28775-012
9	1	RETAINER-GREASE	067-14700
10	6	BOLT-WHEEL HALF	AN5-35A
11	12	WASHER	NAS1149D0563J
12	6	NUT	MS21042-5
13	1	COTTER PIN	MS24665-353
14	1	TIRE-6:00 X 6 8 PLY (TYPE III)	AA1E6
15	1	TUBE	XA1AD
16	2	CAP SCREW	MS16997-96
	2	CAP SCREW	MS16997-77
17	2	FITTING	104-04700
	1	"O" RING	MS28775-011
18	2	PRESSURE PLATE (WITH/PADS)	073-04200
19	4	BACK PLATE (W/PADS)	074-02900
20	2	SNAP RING	155-14300



MCCAULEY MANUFACTURED MAIN GEAR WHEEL ASS'Y  
FIGURE 8A

WIPLINE MODEL 8000 FLOAT PARTS MANUAL

MCCAULEY MAIN GEAR WHEEL ASS'Y

FIGURE 8A

<u>REF NO.</u>	<u>NO. REQ.</u>	<u>PART DESCRIPTION</u>	<u>PART NO.</u>
1	1	NUT, AXLE	MS21025-024
2	1	SPACER, MAIN GEAR AXLE	6A04093-002
3	1	SEAL, OUTSIDE	472439
	1	SEAL, INSIDE	473232
4	2	BEARING CONE, INSIDE AND OUTSIDE	LM29749
	2	BEARING CONE, CHROME PLATED (OPT.)	LM29749CP
5	2	BEARING CUP, INSIDE AND OUTSIDE	LM29710
	2	BEARING CUP, CHROME PLATED (OPT.)	LM29710CP
6	1	ASS'Y. WHEEL, COMPLETE	D-30660-5
7	1	BRAKE DISC	164-30615-3
8	1	ASSY. BRAKE, COMPLETE, LT	30-241
	1	ASSY. BRAKE, COMPLETE, RT	D-30793-4
	2	BRAKE TORQUE PLATE	075-20700
	8	RIVETS	105-00200
	4	BOLTS (FOR PADS)	MS21250H0426
	4	BRAKE PAD BOLT WASHERS	MS20002C4
	2	"O"RING CYL.	MS28775-222
	1	PRESSURE PLATE WITH LINING	073-04200
	2	BACK PLATE WITH LINING	074-02900
	2	BRAKE	069-30644
	1	BLEEDER SEAT	081-00200
	1	BLEEDER	079-00300
	1	BLEEDER CAP	183-00100
	2	PISTON	062-10700
	2	PISTON O'RING	MS28775-222
	1	"O" RING BLEEDER	MS28775-011
	4	BOLT, ANCHOR, BRAKE PIN	069-03100

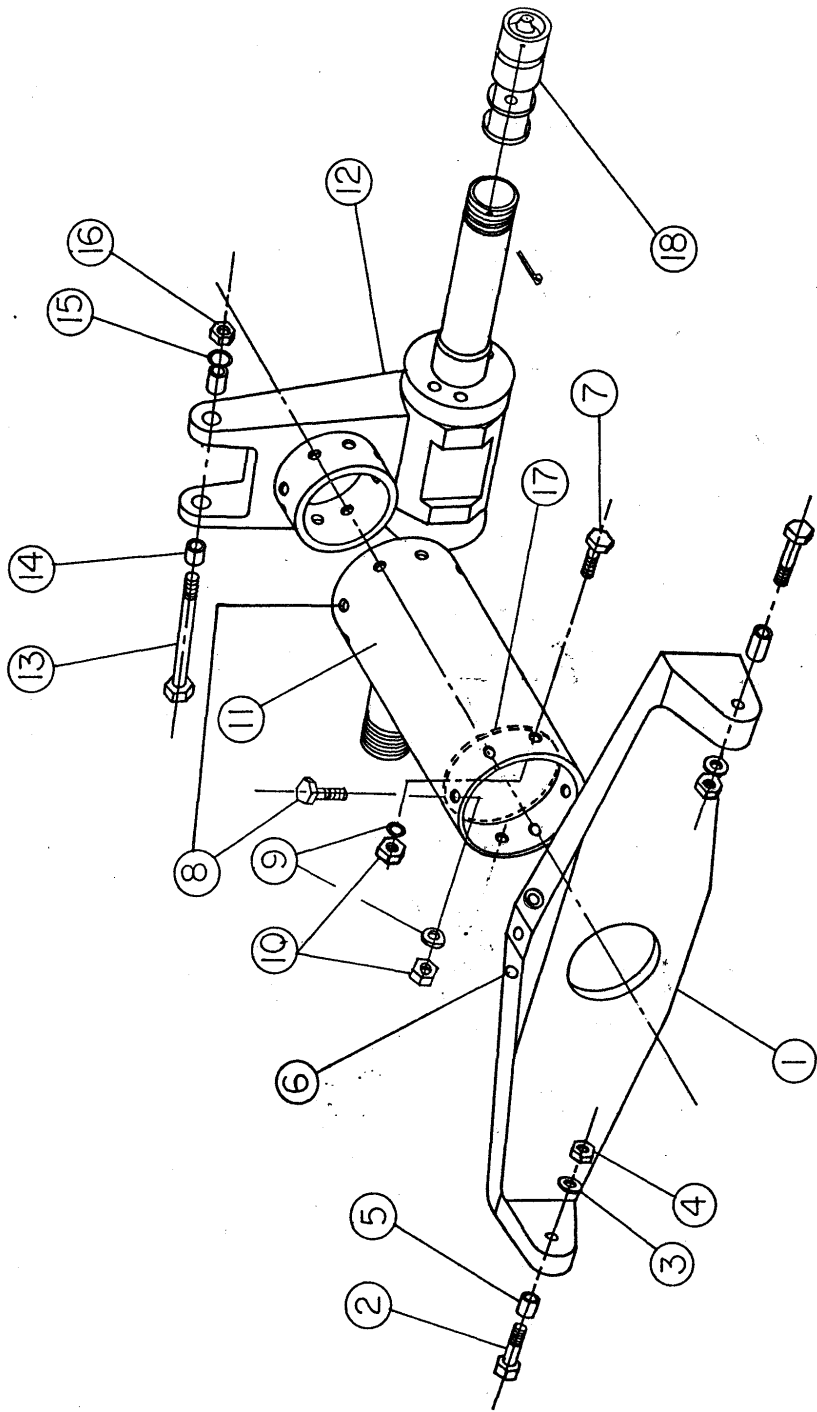
WIPLINE MODEL 8000 FLOAT PARTS MANUAL

MCCAULEY MAIN GEAR WHEEL ASS'Y

FIGURE 8A

<u>REF</u> <u>NO.</u>	<u>NO.</u> <u>REQ.</u>	<u>PART DESCRIPTION</u>	<u>PART NO.</u>
9	1	GREASE RETAINER	6A04616-002
10	3	BOLT, WHEEL HALF	AN5-37A
11	6	WASHER	NAS1149F0532P
12	3	NUT	MS21044N5
13	1	COTTER PIN	MS24665-353
14	1	TIRE 6:00 X 6 8 PLY (TYPE III)	AA1E6
15	1	TUBE	XA1AD
16	2	CAP SCREW	MS16997-96
	2	CAP SCREW	MS16997-77
17	1	FITTING, ADAPTER, BRAKE LINE	6A04258-004
	1	FTG. 45Ø	MS20823-4D
	1	"O" RING	MS28775-011
18	1	PRESSURE PLATE W/PADS	073-30113
19	2	BACK PLATES W/PADS	074-30027

**THIS PAGE INTENTIONALLY LEFT BLANK**



ASSEMBLY – MAIN GEAR AXLE  
FIGURE 9

WIPLINE MODEL 8000 FLOAT PARTS MANUAL

ASSEMBLY – MAIN GEAR AXLE  
FIGURE 9

<u>REF NO.</u>	<u>NO. REQ.</u>	<u>PART DESCRIPTION</u>	<u>PART NO.</u>
	1	ASS'Y, MAIN GEAR	8A04000-019
1	1	DRAG BRACE	8A04103-001
2	2	BOLT	AN8-30
3	4	WASHER	NAS1149D0863J
4	2	NUT	AN310-8
	2	COTTER PIN	MS24665-285
5	2	BUSHING, BEARING	08DU12
6	4	BOLT	AN6-13A
7	2	BOLT	AN6-12A
8	10	BOLT	AN6-11A
9	32	WASHER	NAS1149D0663J
10	16	NUT	MS21044N6
11	1	TUBE, DRAG BRACE	8A04296-002
12	1	ASS'Y, AXLE	8A04000-021
13	1	BOLT	NAS6208-56D
14	2	BUSHING, BEARING	08DU08
15	2	WASHER	NAS1149D0863J
16	1	NUT	AN320-8
	1	COTTER PIN	MS24665-285



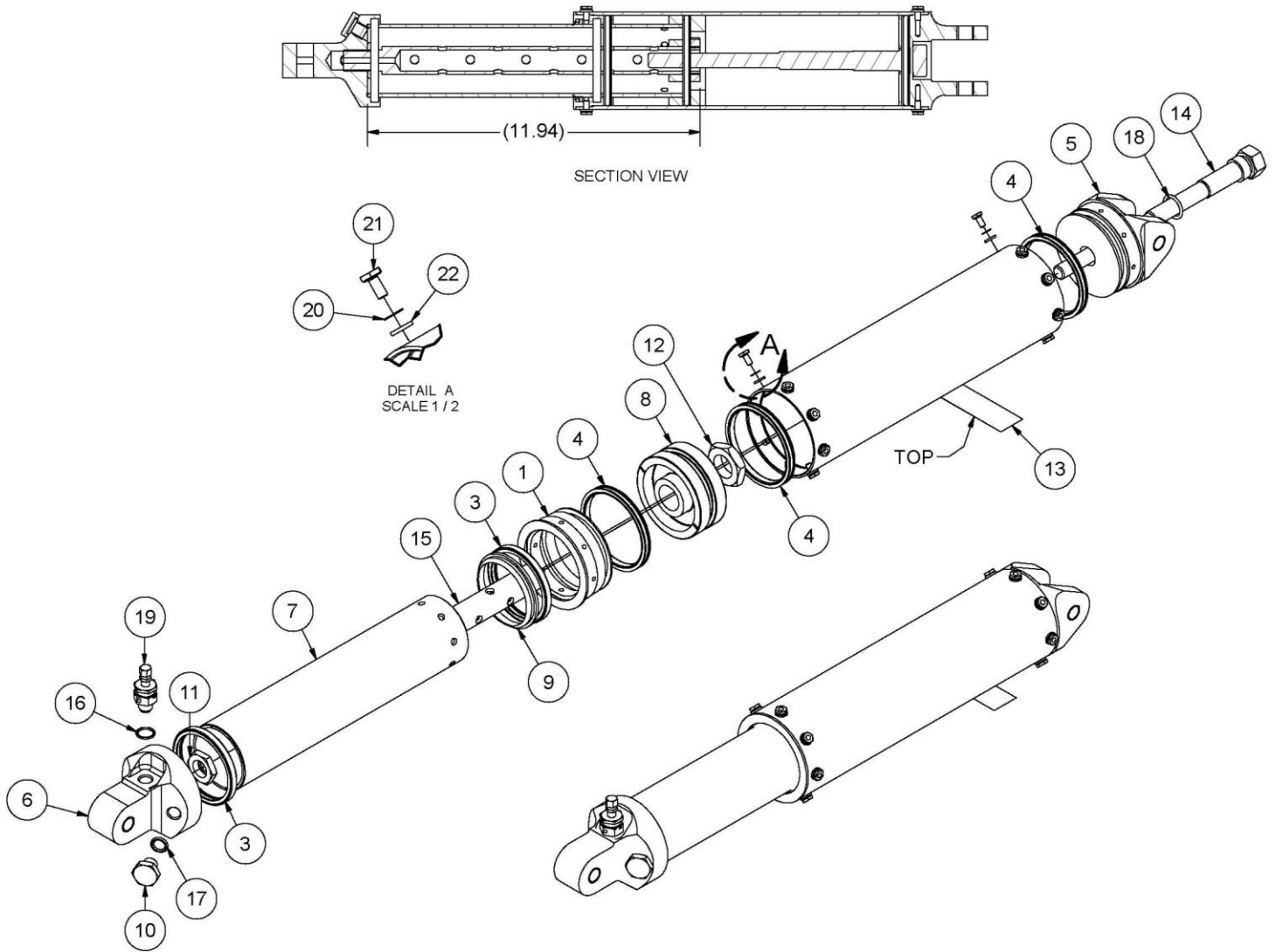
WIPLINE MODEL 8000 FLOAT PARTS MANUAL

ASSEMBLY – MAIN GEAR AXEL  
FIGURE 9

<u>REF NO.</u>	<u>NO. REQ.</u>	<u>PART DESCRIPTION</u>	<u>PART NO.</u>
17	1	PLUG, SUPPORT DRAG BRACE TUBE	8A04154-004
18	1	INSERT, AXLE GREASE (1.150 DIA.)	6A04263-002
	2	"O" RING	MS28775-213
	1	ZERK	1095K41
	1	INSERT-AXLE GREASE (1.230 DIA.)	6A04263-003
	2	"O" RING	AN6227-19
	1	ZERK	1095K41
	1	INSERT-AXLE GREASE (1.020 DIA.)	6A04263-004
	2	"O" RING	MS28775-210
	1	ZERK	1095K41
	2	COTTER PIN	MS24665-353

THIS PAGE INTENTIONALLY LEFT BLANK

WIPLINE MODEL 8000 FLOAT PARTS MANUAL



ASSEMBLY – OLEO SHOCK STRUT (T-SEALS INSTALLED)  
FIGURE 10

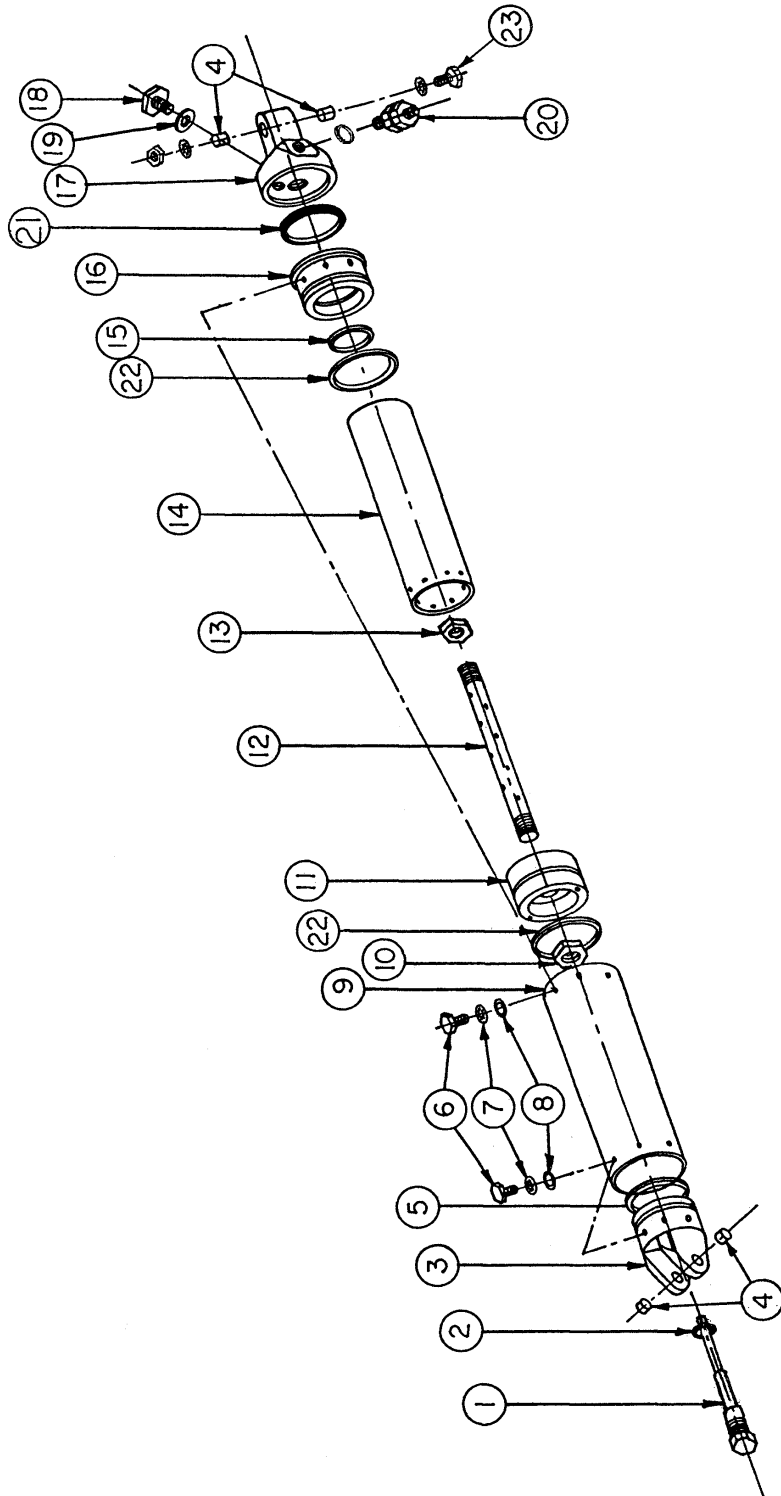
WIPLINE MODEL 8000 FLOAT PARTS MANUAL  
ASSEMBLY, OLEO SHOCK STRUT (T-SEALS INSTALLED)  
FIGURE 10

<u>REF NO.</u>	<u>NO. REQ.</u>	<u>PART DESCRIPTION</u>	<u>PART NO.</u>
1	1	GLAND - OUTER CYL - SHOCK STRUT	1002017
2	1	CYLINDER, OUTER, SHOCK STRUT, 8000	1002020
3	2	ROD, T-SEAL	1002027
4	3	T-SEAL	1002028
5	1	CAP, END, SHOCK STRUT, W/BUSHINGS	1002650
6	1	CAP, TOP, SHOCK STRUT, W/BUSHINGS	1002651
7	1	CYLINDER, INNER, SHOCK STRUT, 8000	1002652
8	1	PISTON, SHOCK STRUT, 8000	1002654
9	1	WIPER, SHOCK STRUT	1005861
10	1	PLUG, SHOCK STRUT	6A04271-003
11	1	NUT, CHECK, SHOCK STRUT	6A04275-001
12	1	NUT, CHECK, SHOCK STRUT	6A04276-001
13	1	PLACARD, HYDRAULIC CYLINDER	6A3-2169
14	1	PIN, METERING, SHOCK STRUT, MAIN GEAR	8A04261-004
15	1	TUBE - METERING, SHOCK STRUT	8A04270-003
16	1	"O" RING	MS28775-015
17	1	"O" RING	MS28775-111
18	1	"O" RING	MS28775-116

WIPLINE MODEL 8000 FLOAT PARTS MANUAL  
ASSEMBLY, OLEO SHOCK STRUT (T-SEALS INSTALLED)  
FIGURE 10

<u>REF</u> <u>NO.</u>	<u>NO.</u> <u>REQ.</u>	<u>PART DESCRIPTION</u>	<u>PART NO.</u>
19	1	VALVE	MS28889-2
20	16	STAR WASHER	MS35333-39
21	16	BOLT	NAS1103-2
22	16	WASHER	NAS1149D0363J

WIPLINE MODEL 8000 FLOAT PARTS MANUAL



ASSEMBLY – OLEO SHOCK STRUT (O-RINGS INSTALLED)  
FIGURE 10A

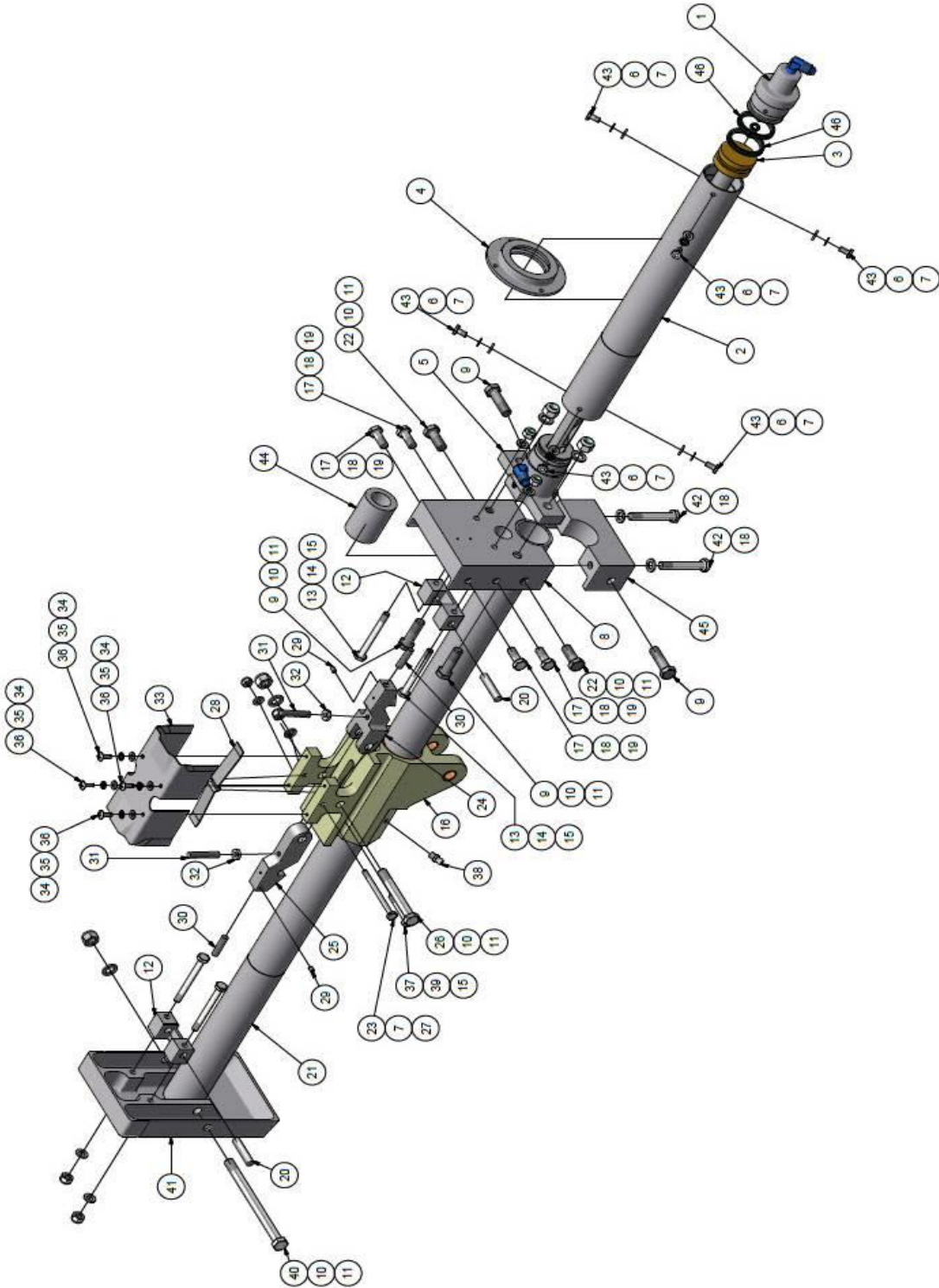
WIPLINE MODEL 8000 FLOAT PARTS MANUAL  
 ASSEMBLY – OLEO SHOCK STRUT (O-RINGS INSTALLED)  
 FIGURE 10A

<u>REF NO.</u>	<u>NO. REQ.</u>	<u>PART DESCRIPTION</u>	<u>PART NO.</u>
	1	ASSEMBLY-SHOCK STRUT	8A04000-020
1	1	METERING ROD	8A04261-004
2	1	"O"RING	MS28775-116
3	1	END CAP	6A04256-003
4	2	BEARING	08DU08
5	1	"O"RING	MS28775-234
6	16	BOLT	NAS6203-2
7	16	WASHER	MS35333-39
8	16	WASHER	NAS1149D0363J
9	1	OUTER CYLINDER	8A04407-003
	1	PLACARD	6A3-2169
10	1	NUT-CHECK	6A04276-001
11	1	PISTON-SHOCK STRUT	8A04256-005
12	1	TUBE METERING	8A04270-003
13	1	NUT-CHECK	6A04275-001
14	1	INNER CYLINDER	8A04538-002
15	1	"O"RING	MS28775-334
16	1	GLAND-OUTER CYLINDER	6A04296-001

WIPLINE MODEL 8000 FLOAT PARTS MANUAL  
 ASSEMBLY – OLEO SHOCK STRUT (O-RINGS INSTALLED)  
 FIGURE 10A

<u>REF NO.</u>	<u>NO. REQ.</u>	<u>PART DESCRIPTION</u>	<u>PART NO.</u>
17	1	END CAP-OLEO	6A04256-002
	1	"O" RING	MS28775-231
18	1	CAP	6A04271-003
19	1	"O"RING	MS28775-111
20	1	VALVE	MS28889-2
	1	"O" RING	MS28775-015
21	1	WIPER	6A04743-001
22	2	"O"RING	MS28775-336
23	1	BOLT (UPPER END)	NAS6208-36D
	2	WASHER	NAS1149F0863P
	1	NUT	AN320-8
	1	COTTER PIN	MS24665-353





ASSEMBLY – MAIN GEAR SLIDE TUBE (T-SEALS INSTALLED)  
FIGURE 11

WIPLINE MODEL 8000 FLOAT PARTS MANUAL

ASSEMBLY – MAIN GEAR SLIDE TUBE (T-SEALS INSTALLED)  
FIGURE 11

<u>REF NO.</u>	<u>NO. REQ.</u>	<u>PART DESCRIPTION</u>	<u>PART NO.</u>
1		ASS'Y., END CAP, CYLINDER	1002236
	1	END CAP, CYLINDER	1002011
	1	ELBOW, PIPE TO TUBE	MS20822-4D
2	1	CYLINDER, OUTSIDE	1002023
3	1	ASS'Y, RAM, MAIN GEAR, 8000	1002640
4	1	RING, CYLINDER, SUPPORT	6A05181-001
	1	"O" RING	MS28775-327
5		ASS'Y, CYLINDER FLANGE, MAIN GEAR	1002235
	1	FLANGE, CYLINDER, MAIN GEAR RAM	1002008
	1	VALVE	1214K1
	1	WIPER, MAIN GEAR	6A05580-004
	1	WIPER	8880410
	1	FITTING, 90° ELBOW	MS20822-4D
	1	ROD, T-SEAL	1002231
6	8	LOCK WASHER	MS35333-39
7	9	WASHER	NAS1149D0363J
8	1	FITTING, AFT, SLIDE TUBE	6A05208-001
9	4	BOLT	AN6-12A
10	6	WASHER	NAS1149D0663J
11	6	NUT	MS21044N6
12	2	CATCH, LOCK HOOK	6A05193-001
13	4	BOLT	AN4-24A
14	4	WASHER	NAS1149D0463J

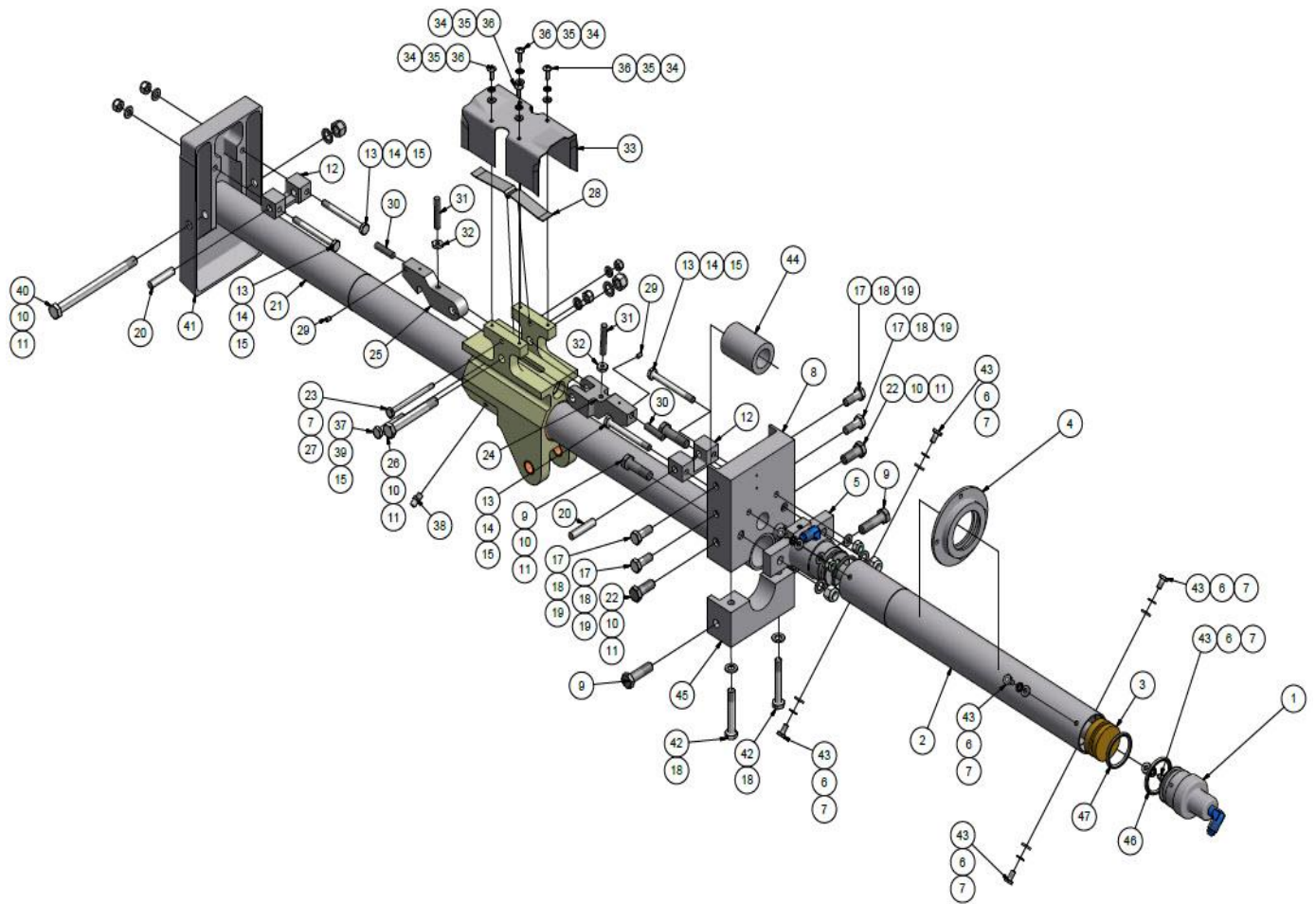
WIPLINE MODEL 8000 FLOAT PARTS MANUAL  
ASSEMBLY – MAIN GEAR SLIDE TUBE (T-SEALS INSTALLED)  
FIGURE 11

<u>REF NO.</u>	<u>NO. REQ.</u>	<u>PART DESCRIPTION</u>	<u>PART NO.</u>
15	5	NUT	MS21044N4
16		ASS'Y, CARRIAGE, W/BUSHINGS	1002642
	1	CARRIAGE, MAIN GEAR	1002621
	2	BUSHING (LARGE)	26DU16
	2	BUSHING (SMALL)	O8DU08
17	4	BOLT	AN5-6A
18	8	WASHER	NAS1149D0563J
19	4	NUT	MS21044N5
20	2	PIN, MAIN GEAR LOCK	6A05702-008
21	1	TUBE, SLIDE, MAIN GEAR, CARRIAGE	8A05402-004
22	2	BOLT	AN6-7A
23	1	BOLT	AN3-25A
24	1	HOOK - MAIN GEAR LOCK (AFT)	6A05042-001
25	1	HOOK - MAIN GEAR LOCK (FWD)	6A05041-001
26	1	BOLT	AN6-26A
27	1	NUT	MS21044N3
28	1	SPRING, MAIN GEAR LOCK	6A05533-001
29	2	SET SCREW, 10-32 X 3/16 S.S. CP	1032 NF X 3/16
30	2	MAGNET	3A05701-001

WIPLINE MODEL 8000 FLOAT PARTS MANUAL  
 ASSEMBLY – MAIN GEAR SLIDE TUBE (T-SEALS INSTALLED)  
 FIGURE 11

<u>REF NO.</u>	<u>NO. REQ.</u>	<u>PART DESCRIPTION</u>	<u>PART NO.</u>
31	2	LOCK, SET SCREW, HOLLOW	6A05087-001
32	2	NUT	AN316-4R
33	1	COVER, SLIDE TUBE TRUCK	6A05158-019
34	4	WASHER	NAS1149DN832J
35	4	LOCK WASHER	MS35333-38
36	4	SCREW	AN526-832R8
37	1	BOLT	AN4-14A
38	1	GREASE ZERK	1095K41
39	1	WASHER	NAS1149F0463P
40	1	BOLT	AN6-47A
41	1	FITTING, FWD, SLIDE TUBE	6A01201-001
42	2	BOLT	AN5H20A
43	8	BOLT	NAS1103-2
44	1	END, SLIDE TUBE	6A05259-002
45	1	CAP, SLIDE TUBE, AFT	8A05159-001
46	2	T-SEAL	1002229

WIPLINE MODEL 8000 FLOAT PARTS MANUAL



ASSEMBLY – MAIN GEAR SLIDE TUBE (O-RINGS INSTALLED)  
FIGURE 11A

WIPLINE MODEL 8000 FLOAT PARTS MANUAL

ASSEMBLY – MAIN GEAR SLIDE TUBE (O-RINGS INSTALLED)  
FIGURE 11A

<u>REF NO.</u>	<u>NO. REQ.</u>	<u>PART DESCRIPTION</u>	<u>PART NO.</u>
1		ASSY. END CAP-CYLINDER	6A05000-007
	1	END CAP, CYLINDER	6A05268-001
	1	ELBOW, PIPE TO TUBE	MS20822-4D
2	1	CYLINDER-OUTSIDE	8A05116-003
3	1	RAM ASSEMBLY	8A05000-010
4	1	RING-CYLINDER-SUPPORT	6A05181-001
	1	"O" RING	MS28775-327
5		ASSY. FLANGE-CYLINDER END	6A05000-008
	1	FLANGE, CYLINDER, MAIN GEAR RAM	6A05199-001
	1	VALVE	1214K1
	1	WIPER, MAIN GEAR	6A05580-004
	1	FITTING, 90° ELBOW	MS20822-4D
	1	O-RING	MS28775-220
	1	WIPER 3/4" IDX1-1/8"OD	8880410
6	8	LOCK WASHER	MS35333-39
7	9	WASHER	NAS1149D0363J
8	1	FITTING, AFT, SLIDE TUBE	6A05208-001
9	4	BOLT	AN6-12A
10	6	WASHER	NAS1149D0663J
11	6	NUT	MS21044N6
12	2	HOLDER - HOOK PIN	6A05193-001
13	4	BOLT	AN4-24A

WIPLINE MODEL 8000 FLOAT PARTS MANUAL

ASSEMBLY – MAIN GEAR SLIDE TUBE (O-RINGS INSTALLED)  
FIGURE 11A

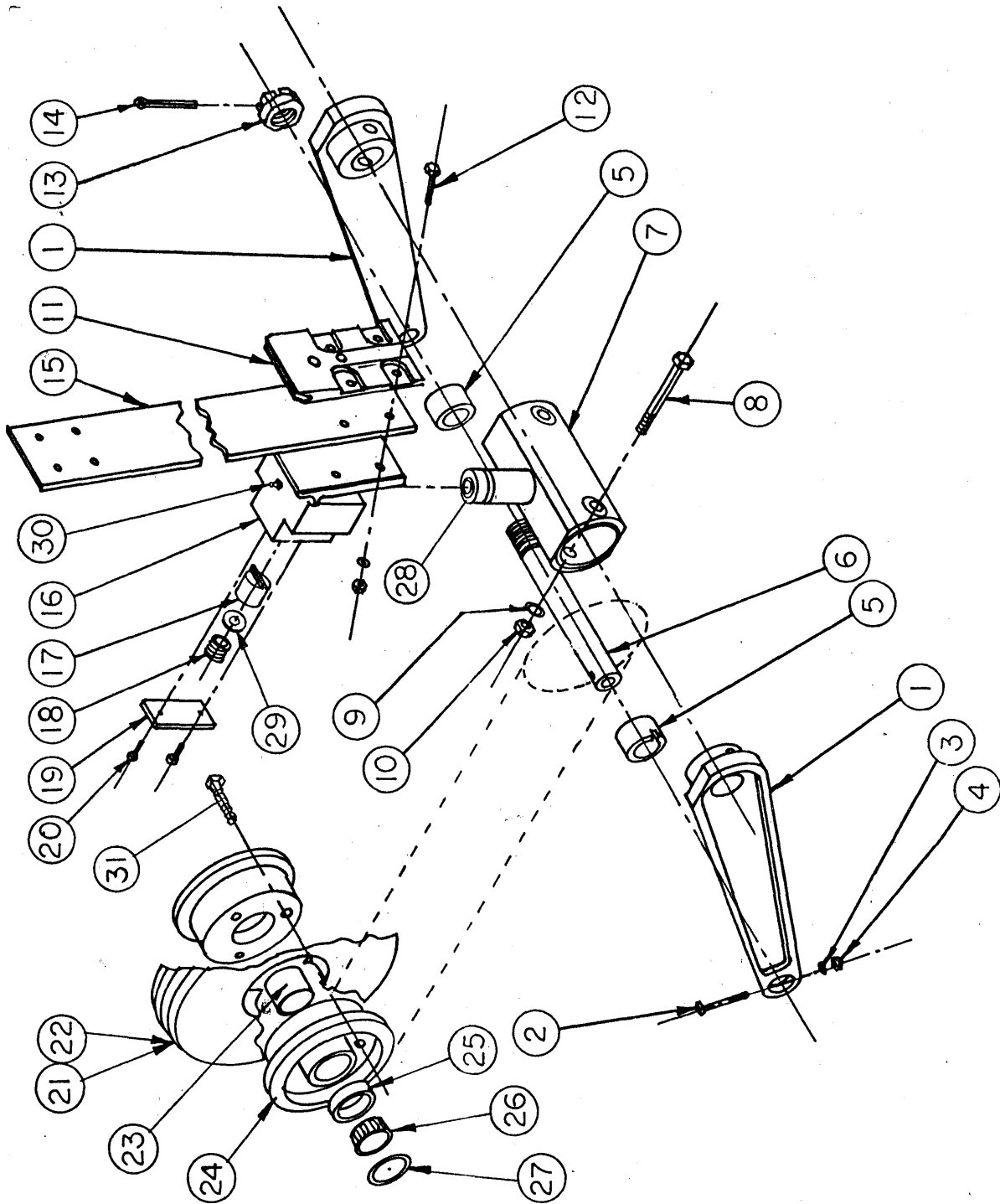
<u>REF NO.</u>	<u>NO. REQ.</u>	<u>PART DESCRIPTION</u>	<u>PART NO.</u>
14	4	WASHER	NAS1149D0463J
15	5	NUT	MS21044N4
16		ASSEMBLY, CARRIAGE, W/BUSHINGS	6A05000-037
	1	CARRIAGE, MAIN GEAR	6A05309-001
	2	BUSHING (LARGE)	26DU16
	2	BUSHING (SMALL)	O8DU08
17	4	BOLT	AN5-6A
18	6	WASHER	NAS1149D0563J
19	4	NUT	MS21044N5
20	2	PIN, MAIN GEAR LOCK	6A05702-008
21	1	TUBE, SLIDE, MAIN GEAR, CARRIAGE	8A05402-004
22	2	BOLT	AN6-7A
23	1	BOLT	AN3-25A
24	1	HOOK - MAIN GEAR LOCK (AFT)	6A05042-001
25	1	HOOK - MAIN GEAR LOCK (FWD)	6A05041-001
26	1	BOLT	AN6-26A
27	1	NUT	MS21044N3
28	1	SPRING, MAIN GEAR LOCK	6A05533-001
29	2	SET SCREW, 10-32 X 3/16 S.S. CP	1032NFX3/16

WIPLINE MODEL 8000 FLOAT PARTS MANUAL

ASSEMBLY – MAIN GEAR SLIDE TUBE (O-RINGS INSTALLED)  
FIGURE 11A

<u>REF NO.</u>	<u>NO. REQ.</u>	<u>PART DESCRIPTION</u>	<u>PART NO.</u>
30	2	MAGNET	3A05701-001
31	2	SCREW, ADJUSTING, MAIN GEAR LOCK	6A05087-001
32	2	NUT	AN316-4R
33	1	COVER, SLIDE TUBE TRUCK	6A05158-019
34	4	WASHER	NAS1149DN832J
35	4	LOCK WASHER	MS35333-38
36	4	SCREW	AN526-832-8
37	1	BOLT	AN4-14A
38	1	GREASE ZERK	1095K41
39	1	WASHER	NAS1149F0463P
40	1	BOLT	AN6-47A
41	1	FITTING, FWD, SLIDE, TUBE	6A01201-001
42	2	BOLT	AN5H20A
43	8	BOLT	NAS1103-2
44	1	END, SLIDE TUBE	6A05259-002
45	1	CAP FITTING, AFT, SLIDE TUBE	8A05159-001
46	1	O-RING	MS28775-220
47	1	O-RING	MS28755-219





NOSE GEAR ASSEMBLY LOWER END  
FIGURE 12

WIPLINE MODEL 8000 FLOAT PARTS MANUAL

NOSE GEAR ASSEMBLY LOWER END  
FIGURE 12

<u>REF NO.</u>	<u>NO. REQ.</u>	<u>PART DESCRIPTION</u>	<u>PART NO.</u>
1	1	LEG-NOSE FORK (RIGHT)	6A06199-004
	1	LEG-NOSE FORK (LEFT)	6A06199-003
	2	ROLL PIN	215-125-0750
2	2	BOLT	AN4-25A
3	1	WASHER	NAS1149D0463J
	1	WASHER	NAS1149D0416J
4	1	NUT	MS21044N4
5	2	SPACER-AXLE	6A06268-002
	2	ROLL PIN	215-125-0750
	2	“O” RING	MS28775-218
6	1	AXLE	6A06265-001
	1	ZERK	1095K41
7	1	YOKE ASSEMBLY	6A06000-006
8	2	BOLT	AN6-37A
9	2	WASHER	NAS1149D0663J
10	2	NUT	MS21044N6
11	1	PLATE ASS'Y W/ TOW LUG	8A06000-029
	1	PLATE-NOSE SPRING	8A06210-002
	1	LUG	6A06202-001
	2	SCREWS (FOR TOW LUG)	MS16997-77
12	4	BOLT	AN6-21A
	4	WASHER	NAS1149D0663J
	4	NUT	MS21044N6

WIPLINE MODEL 8000 FLOAT PARTS MANUAL

NOSE GEAR ASSEMBLY LOWER END  
FIGURE 12

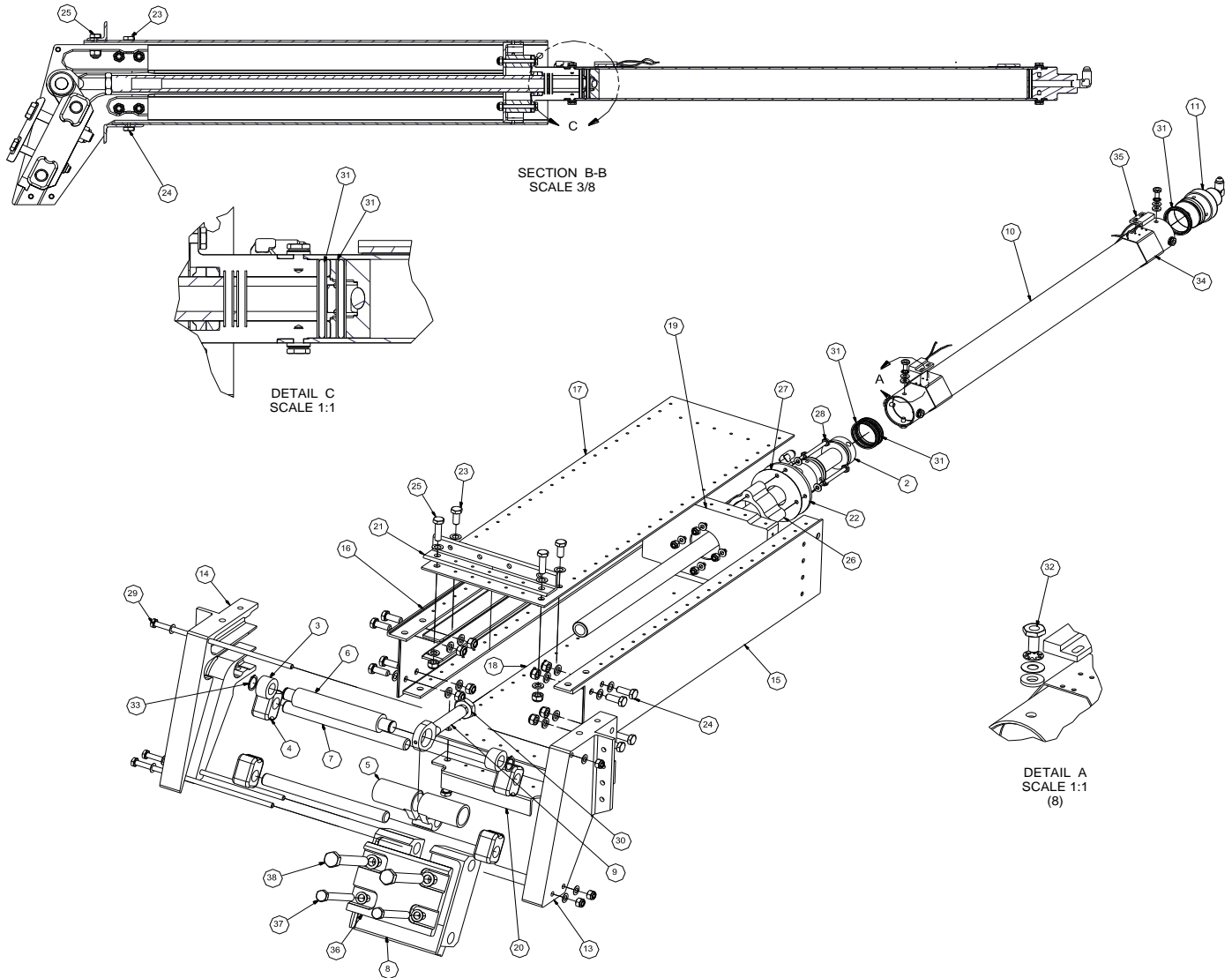
<u>REF NO.</u>	<u>NO. REQ.</u>	<u>PART DESCRIPTION</u>	<u>PART NO.</u>
13	1	NUT-WHEEL-RETAINING	MS21025-20
14	1	COTTER PIN	MS24665-351
15	1	NOSE SPRING	8A06626-001
16	1	PIVOT BLOCK	8A06308-001
17	1	RETAINER PIVOT CENTERING	6A06512-002
18	1	SPRING	3A06525-002
19	1	CAP	3A06037-001
20	2	SCREW	MS16997-60
	2	LOCK-WASHER	MS35333-40
21	1	TIRE 5:00 X 5 10 PLY (TYPE III)	301-018-420
22	1	TUBE	XA1AC
		Parker Wheel has changed their wheel design. The new rim replaces the old and uses a different grease retainer. If you have the older style wheel identified by the inner raised segments, use this grease retainer below	
23	1	ASSEMBLY NOSE WHEEL (Newer style, machined inner rim) (not shown)	1003233
23.1	1	GREASE RETAINER	6A06616-003
23.2	2	BEARING CUP	08231
	2	BEARING CUP (CHROME PLATED)	
23.3	2	BEARING CONE	08125
	2	BEARING CONE (CHROME PLATED)	

WIPLINE MODEL 8000 FLOAT PARTS MANUAL

NOSE GEAR ASSEMBLY LOWER END  
FIGURE 12

<u>REF NO.</u>	<u>NO. REQ.</u>	<u>PART DESCRIPTION</u>	<u>PART NO.</u>
23.4	1	GREASE SEAL, INNER	1003547
	1	GREASE SEAL, OUTER	1003548
24	1	ASSEMBLY NOSE WHEEL (old style, raised inner rim)	6A06000-028
24.1	1	GREASE RETAINER	6A06616-003
24.2	2	BEARING CUP (Old Style)	LM67010
	2	BEARING CUP (New Style)	08125
24.3	2	BEARING CONE (Old Style)	LM67048
	2	BEARING CONE (New Style)	08231
24.4	2	GREASE SEAL (Old Style)	473237
	1	GREASE SEAL INNER (New Style)	1003547
	1	GREASE SEAL OUTER (New Style)	1003548
25	1	WASHER THRUST	8A06600-001
26	2	WASHER (OPT.)	NAS1149F0763P
27	1	GREASE FITTING	1095K41
28	3	BOLT	AN5-22A
	6	WASHER	NAS1149F0563P
	3	NUT	MS21044N5

# WIPLINE MODEL 8000 FLOAT PARTS MANUAL



NOSE GEAR ASSEMBLY (T-SEALS INSTALLED)  
FIGURE 13A

## WIPLINE MODEL 8000 FLOAT PARTS MANUAL

## NOSE GEAR ASSEMBLY (T-SEALS INSTALLED)

## FIGURE 13A

<u>REF</u> <u>NO.</u>	<u>NO.</u> <u>REQ.</u>	<u>PART DESCRIPTION</u>	<u>PART NO.</u>
1	1	ACTUATOR AND NOSE BOX COMPLETE	1002262
2	1	ASSY RAM, NOSE GEAR	6A07000-008
3	2	ROLLER, TRACK	6A07544-001
4	4	BLOCK, SLIDE, TROLLEY	6A07603-001
5	1	LINK, NOSE GEAR RAM	8A07185-002
6	1	AXLE, LINK	8A07505-001
7	2	AXLE, NOSE GEAR TROLLEY	8A07534-003
8	1	TROLLEY	8A07188-001
9	1	ROD END, NOSE GEAR RAM	8A07257-002
10	1	RAM NOSE CYLINDER	1002024
11	1	ASSY. CYL. END CAP	1002236
12	1	ASSY NOSE BOX (WITHOUT ACTUATOR)	1002261
13	1	TRACK END LH	8A07337-003
14	1	TRACK END RH	8A07337-004
15	1	SIDE TRACK, NOSE GEAR LH	8A07364-003
16	1	SIDE TRACK, NOSE GEAR RH	8A07364-004
17	1	SKIN, NOSE BOX TOP	8A07156-037

WIPLINE MODEL 8000 FLOAT PARTS MANUAL

NOSE GEAR ASSEMBLY (T-SEALS INSTALLED)

FIGURE 13A

<u>REF</u> <u>NO.</u>	<u>NO.</u> <u>REQ.</u>	<u>PART DESCRIPTION</u>	<u>PART NO.</u>
18	1	SKIN, NOSE BOX BOTTOM	8A07156-038
19	1	END CAP, NOSE BOX	8A07201-002
20	1	ANGLE, NOSEBOX, BOTTOM	8A07357-038
21	1	ANGLE, NOSEBOX, TOP	8A07427-004
22	1	CYLINDER FLANGE ASSY COMPLETE	1002237
23	12	BOLT	AN5-5A
		&	
24	10	BOLT	AN5-6A
	8	WASHER	NAS1149D0563J
	10	WASHER	NAS1149D0516J
	8	NUT	MS21044N5
		&	
25	2	BOLT	AN5-10A
	2	WASHER	NAS1149D0563J
	2	WASHER	NAS1149D0516J
	2	NUT	MS21044N5
26	1	SPACER, FLANGE CYL.	6A07264-003
27	8	PLATE, FLANGE	6A07158-129
28	4	BOLT	AN3-17A
	8	WASHER	NAS1149F0332P
	4	NUT	MS21044N3
29	3	BOLT	AN4-81A
	6	WASHER	NAS1149D0416J
	3	NUT	MS21044N4

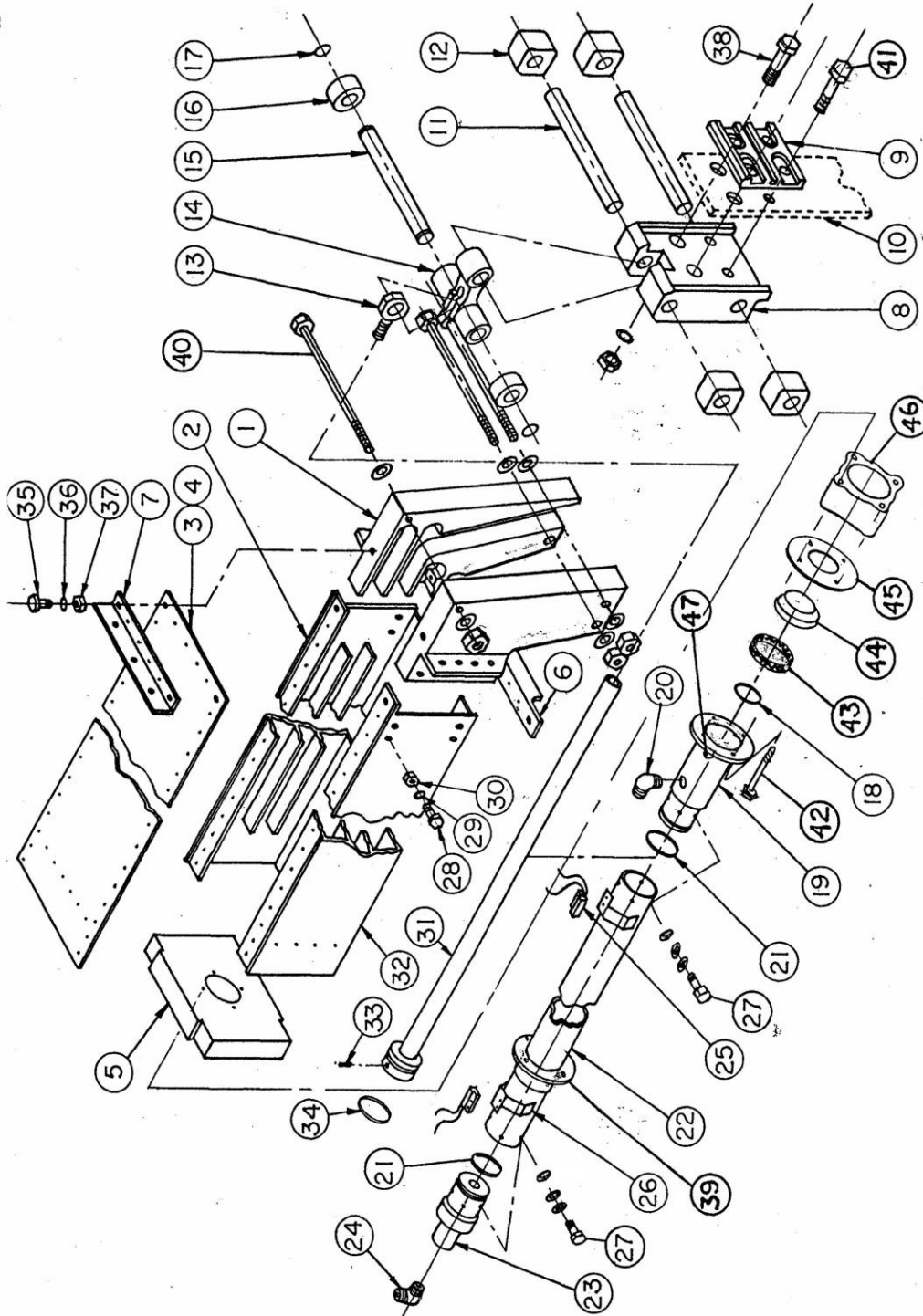
WIPLINE MODEL 8000 FLOAT PARTS MANUAL

NOSE GEAR ASSEMBLY (T-SEALS INSTALLED)

FIGURE 13A

<u>REF</u> <u>NO.</u>	<u>NO.</u> <u>REQ.</u>	<u>PART DESCRIPTION</u>	<u>PART NO.</u>
30	1	NUT	AN316-10R
31	3	T-SEAL, PISTON	1002229
32	8	BOLT	NAS1103-2
	8	WASHER	NAS1149D0363J
	8	WASHER	NAS1149D0316J
	8	STAR WASHER	MS35333-39
33	2	SNAP RING	5100-62H
34	2	CLIP SWITCH	3A07005-178
35	2	SWITCH, SENSOR	5801
36	1	PLATE-BEARING, NOSE SPRING	8A07212-001
37	2	BOLT	AN6-27A
	4	WASHER	NAS1149F0663P
	2	NUT	MS21044N6
38	2	BOLT	AN8-31A
	4	WASHER	NAS1149F0763P
	2	NUT	MS21044N8





NOSE GEAR ASSEMBLY (O-RING INSTALLED)  
FIGURE 13B

WIPLINE MODEL 8000 FLOAT PARTS MANUAL

NOSE GEAR ASSEMBLY (O-RINGS INSTALLED)

FIGURE 13B

<u>REF</u> <u>NO.</u>	<u>NO.</u> <u>REQ.</u>	<u>PART DESCRIPTION</u>	<u>PART NO.</u>
	1	NOSE GEAR ASSEMBLY COMPLETE	8A07000-006
1	1	TRACK FRONT-LEFT	8A07337-003
	1	TRACK FRONT-RIGHT	8A07337-004
2	1	TRACK SIDE-LEFT	8A07364-003
3	1	BOX COVER TOP	8A07156-037
4	1	BOX COVER BOTTOM	8A07156-038
5	1	END CAP	8A07201-002
6	1	ANGLE-NOSE BOX LOWER	8A07357-038
7	1	ANGLE-NOSE BOX UPPER	8A07427-004
8	1	TROLLEY	8A07188-001
9	1	PLATE BEARING	8A07212-001
10	1	NOSE SPRING	8A06626-001
11	2	AXLE TROLLEY	8A07534-003
12	4	BLOCKS TROLLEY	6A07603-001
13	1	ROD END	8A07257-002
	1	JAM NUT	AN316-10R
14	1	LINK RAM END	8A07185-002
15	1	AXLE	8A07505-001
16	2	ROLLER	6A07544-001

WIPLINE MODEL 8000 FLOAT PARTS MANUAL

NOSE GEAR ASSEMBLY (O-RINGS INSTALLED)

FIGURE 13B

<u>REF</u> <u>NO.</u>	<u>NO.</u> <u>REQ.</u>	<u>PART DESCRIPTION</u>	<u>PART NO.</u>
17	2	SNAP RING	5100-62H
18	1	"O"RING	MS28775-316
19	1	FLANGE-NOSE CYLINDER	6A07264-002
20	1	ELBOW	MS20822-4D
21	2	"O"RING	MS28775-220
22	1	CYLINDER	6A07116-002
23	1	END CAP	6A05268-001
24	1	ELBOW	MS20822-4D
25	2	SWITCH SENSOR	5801
26	2	MOUNT-SWITCH	3A07005-178
27	8	BOLT	NAS6203-2
	8	WASHER THICK	NAS1149D0363J
	8	WASHER THIN	NAS1149D0316J
	8	WASHER-LOCK	MS35333-39
28	10	BOLT	AN5-6A
29	10	WASHER	NAS1149D0563J
	12	WASHER	NAS1149D0516J
30	8	NUT	MS21044N5
31	1	ASSEMBLY RAM	6A07000-008

WIPLINE MODEL 8000 FLOAT PARTS MANUAL

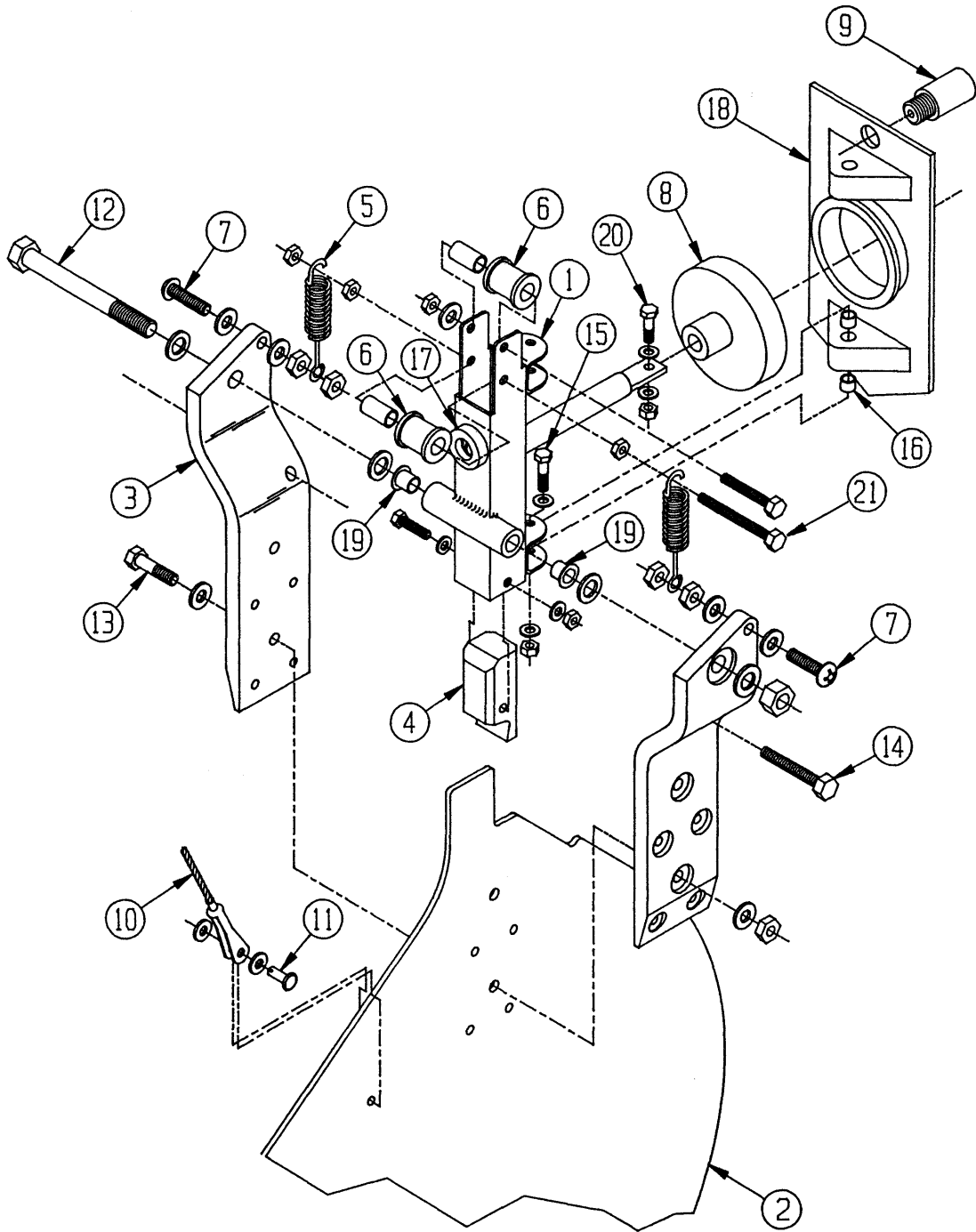
NOSE GEAR ASSEMBLY (O-RINGS INSTALLED)

FIGURE 13B

<u>REF</u> <u>NO.</u>	<u>NO.</u> <u>REQ.</u>	<u>PART DESCRIPTION</u>	<u>PART NO.</u>
32	1	TRACK-SIDE (RIGHT)	8A07364-004
33	1	MAGNET	3A05701-001
34	1	"O"RING	MS28775-219
35	2	BOLT	AN5-10A
36	4	WASHER	NAS1149D0516J
37	2	NUT	MS21044N5
38	2	BOLT	AN8-31A
	4	WASHER	NAS1149F0763P
	2	NUT	MS21044N8
39	1	SUPPORT RING CYLINDER	6A05181-001
	1	"O" RING	MS28775-327
40	3	BOLT	AN4-81A
	3	WASHER	NAS1149F0432P
	3	NUT	MS21044N4
41	2	BOLT	AN6-27A
	4	WASHER	NAS1149F0663P
	2	NUT	MS21044N6
42	4	BOLT	AN3-17A
	4	WASHER	NAS1149F0363P
	4	NUT	MS21044N3
43	1	WIPER FELT	6A07580-005
44	1	WIPER NYLON	8880510

WIPLINE MODEL 8000 FLOAT PARTS MANUAL  
NOSE GEAR ASSEMBLY (O-RINGS INSTALLED)  
FIGURE 13B

<u>REF</u> <u>NO.</u>	<u>NO.</u> <u>REQ.</u>	<u>PART DESCRIPTION</u>	<u>PART NO.</u>
45	1	PLATE	6A07158-129
46	1	SPACER	6A07264-003
47	1	OILER FILLER	1205K12



WATER RUDDER BLADE INSTALLATION  
FIGURE 14

WIPLINE MODEL 8000 FLOAT PARTS MANUAL

WATER RUDDER BLADE INSTALLATION  
FIGURE 14

<u>REF NO.</u>	<u>NO. REQ.</u>	<u>PART DESCRIPTION</u>	<u>PART NO.</u>
1	1	ASSEMBLY-WATER RUDDER POST	8A08000-098
2	1	ASSEMBLY-WATER RUDDER BLADE	8A08000-023
3	1	ARM-WATER RUDDER CONTROL-RIGHT	8A08044-002
	1	ARM-WATER RUDDER CONTROL-LEFT	8A08044-001
4	1	STOP-WATER RUDDER	8A08183-006
	2	BOLT-ATTACH	AN3-13A
	2	WASHER	NAS1149D0363J
	2	NUT	MS21044N3
5	2	SPRING	3A08525-001
6	2	ROLLER	3A08606-001
	2	BUSHING-ROLLER	3A08502-001
	1	BOLT-TOP (STAINLESS ST'L)	1032 X 2"
	1	BOLT-LOWER (STAINLESS ST'L)	1032 X 1 1/2
	4	NUT	NAS679A3W
7	2	SCREW SPRING ATTACH	MS35204-283
	A/R	WASHER	NAS1149F0463P
	2	NUT	NAS679A4W
8	1	RUBBER BOOT	3A08650-001
9	1	CABLE GUIDE	3A08605-001
10	1	CABLE ASSEMBLY	8A08000-039
11	1	CLEVIS PIN	MS20392-2C19
	1	WASHER	NAS1149D0363J
	1	COTTER PIN	MS24665-132

WIPLINE MODEL 8000 FLOAT PARTS MANUAL

WATER RUDDER BLADE INSTALLATION  
FIGURE 14

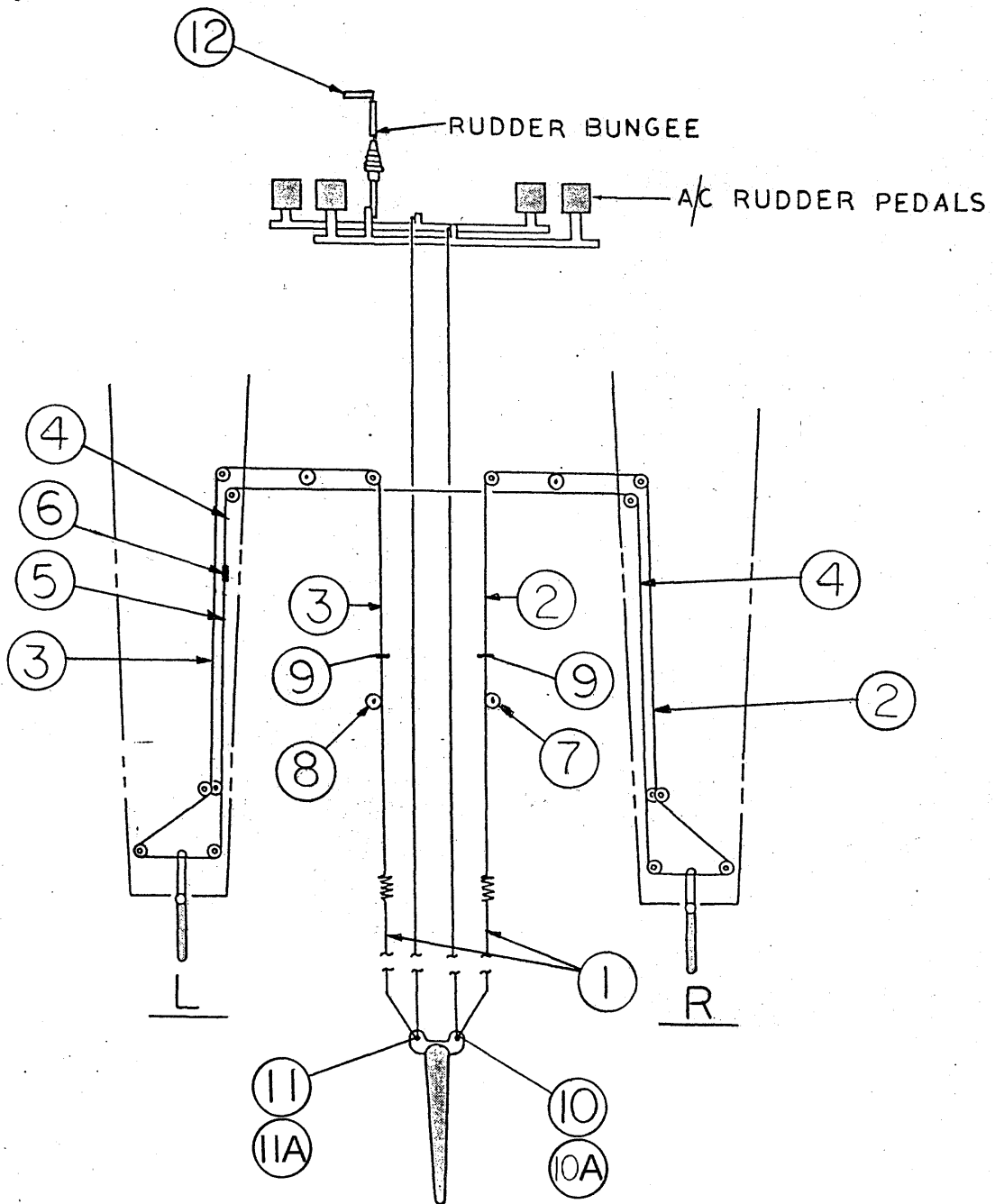
<u>REF NO.</u>	<u>NO. REQ.</u>	<u>PART DESCRIPTION</u>	<u>PART NO.</u>
12	1	BOLT	AN6C34A
	A/R	WASHER	NAS1149D0663J
	1	NUT	MS21083N6
13	2	BOLT ATTACH	AN4-11A
	A/R	WASHER	NAS1149D0416J
	2	NUT	MS21044N4
	4	BOLT ATTACH	AN3-13A
	4	WASHER	NAS1149D0363J
	4	NUT	MS21044N3
	2	BOLT ATTACH LOWER	AN3-10A
	A/R	WASHER	NAS1149D0363J
	2	NUT	MS21044N3
14	1	BOLT STOP	AN4-20A
	A/R	WASHER	NAS1149D0463J
	1	NUT	MS21044N4
15	2	BOLT RUDDER POST HINGE	AN3C10A
	2	WASHER	NAS1149D0363J
	2	NUT	NAS679A3W
16	4	BEARING-NYLINER (PLASTIC) (OLD STYLE)	4L4F
	4	BEARING (TEFLON STEEL) (NEW STYLE) (SPECIFY)	03DU-04
17	1	STOP-RUDDER UP	8A08602-004
	1	SCREW	AN526-1032R9
	1	WASHER	AN970-3
	1	NUT	MS21044N3
18	1	CASTING-WATER RUDDER	3A01437-001
19	2	BEARING-NYLINER (PLASTIC)	6L11F



WIPLINE MODEL 8000 FLOAT PARTS MANUAL

WATER RUDDER BLADE INSTALLATION  
FIGURE 14

<u>REF NO.</u>	<u>NO. REQ.</u>	<u>PART DESCRIPTION</u>	<u>PART NO.</u>
	2	BEARING-(TEFLON-STEEL) (SPECIFY)	06DU08
20	1	BOLT	AN3-6A
	1	WASHER	NAS1149D0363J
	1	NUT	MS21044N3
21	2	BOLT (STAINLESS STEEL)	1032 x 2 inch S.S.



WATER RUDDER STEERING SYSTEM  
FIGURE 15

WIPLINE MODEL 8000 FLOAT PARTS MANUAL

WATER RUDDER STEERING SYSTEM  
FIGURE 15

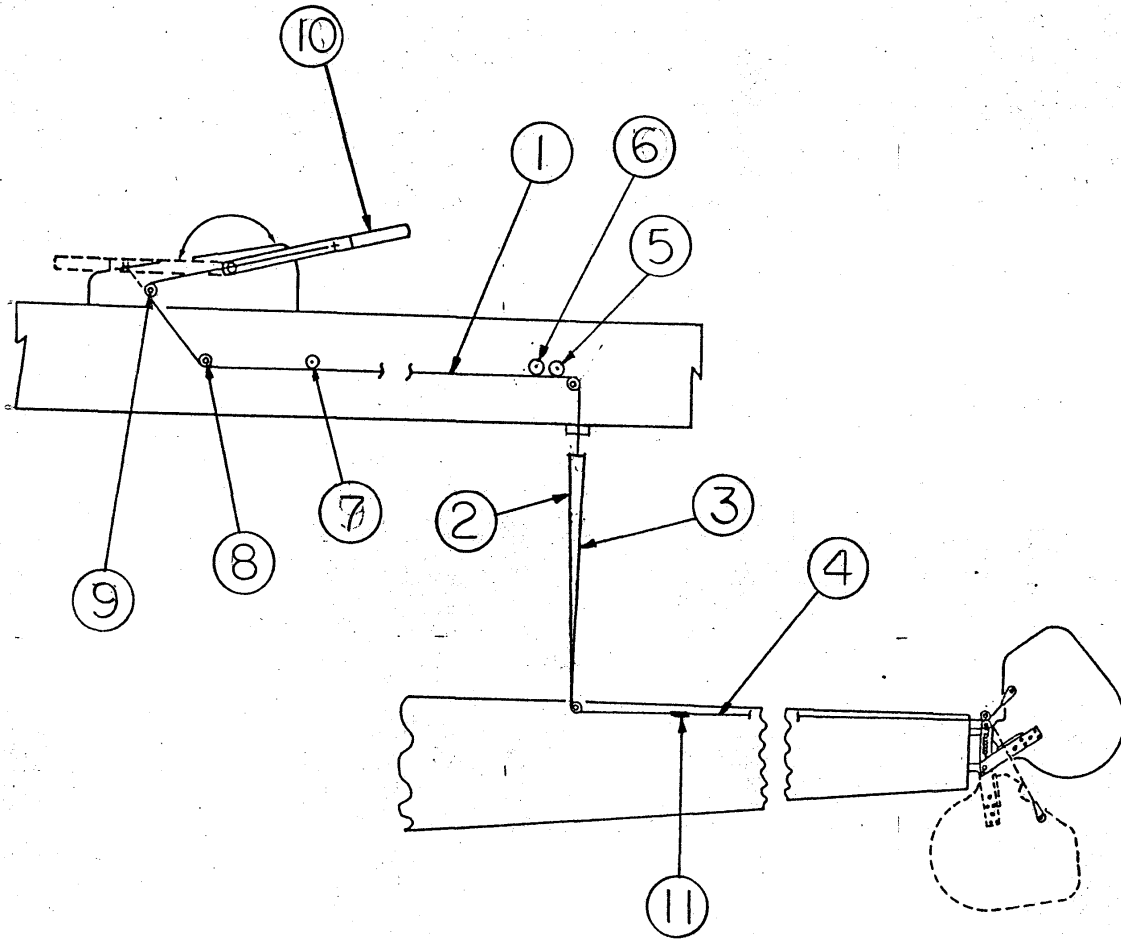
<u>REF NO.</u>	<u>NO.</u>	<u>PART DESCRIPTION</u>	<u>PART NO.</u>
1	2	ASSEMBLY-CABLE STEERING AIRCRAFT TAIL	8A08000-034
	2	ASSEMBLY-SPRING ( DHC-3 ONLY)	0742016-1
	2	SPRING (CESSNA 208 ONLY)	0760629-1
	2	DRAWBAR (CESSNA 208 ONLY)	8A08492-001
	2	BARREL	MS21251B3S
	2	EYE	MS21254-3LS
	2	CLIP	MS21256-1
2	1	ASSEMBLY-STEERING CABLE-RIGHT	8A08000-032
3	1	ASSEMBLY-STEERING CABLE-LEFT	8A08000-033
4	1	ASSEMBLY-BALANCE CABLE STEERING-RIGHT	8A08000-036
5	1	ASSEMBLY-BALANCE CABLE STEERING-LEFT	8A08000-035
6	1	BARREL	MS21251B3S
7	1	PULLEY BRACKET-RIGHT CABLE-INBOARD	8A08002-071
	1	PULLEY BRACKET-RIGHT CABLE-OUTBOARD	8A08002-072
	1	PULLEY	MS24566-2B
	1	BOLT	AN3-6A
	1	WASHER	NAS1149D0316J
	1	NUT	MS21044N3
	1	COTTER PIN	MS24665-285
8	1	PULLEY BRACKET-LEFT CABLE-INBOARD	8A08002-073
	1	PULLEY BRACKET-LEFT CABLE-OUTBOARD	8A08002-074
	1	PULLEY	MS24566-2B
	1	BOLT	AN3-6A
	1	WASHER	NAS1149D0316J
	1	NUT	MS21044N3
	1	COTTER PIN	MS24665-285
9	4	FAIRLEAD-CABLE	S-338-1

WIPLINE MODEL 8000 FLOAT PARTS MANUAL

WATER RUDDER STEERING SYSTEM  
FIGURE 15

<u>REF NO.</u>	<u>NO. REQ.</u>	<u>PART DESCRIPTION</u>	<u>PART NO.</u>
	2	BRACKET	8A08002-077
	2	CLIPS	S339-1
10	1	LINK-RUDDER HORN-RIGHT	8A08540-004
	2	SCREW-ATTACH	AN526-10R14
	2	WASHER	NAS1149D0316J
	2	NUT	MS21044N3
10A	1	BUSHING	8A12456-007
11	1	LINK-RUDDER HORN-LEFT	8A08537-003
	2	SCREW-ATTACH	AN525-10R14
	2	WASHER	NAS1149D0316J
	2	NUT	MS21044N3
11A	1	BUSHING	8A12456-007
12	1	BRACKET	8A12072-001
	1	BOLT-BRACKET TO BUNGEE	AN8-22A
	1	WASHER	NAS1149D0863J
	1	NUT	MS21044N8
	1	BOLT-BRACKET TO ENGINE MOUNT	AN8-32A
	1	WASHER	NAS1149D0816J
	1	SPACER	8A12518-004
	1	BARREL NUT	8A02458-003

THIS PAGE INTENTIONALLY LEFT BLANK



PULLEY BRACKETS – WATER RUDDER RETRACT  
FIGURE 16

WIPLINE MODEL 8000 FLOAT PARTS MANUAL

PULLEY BRACKETS – WATER RUDDER RETRACT  
FIGURE 16

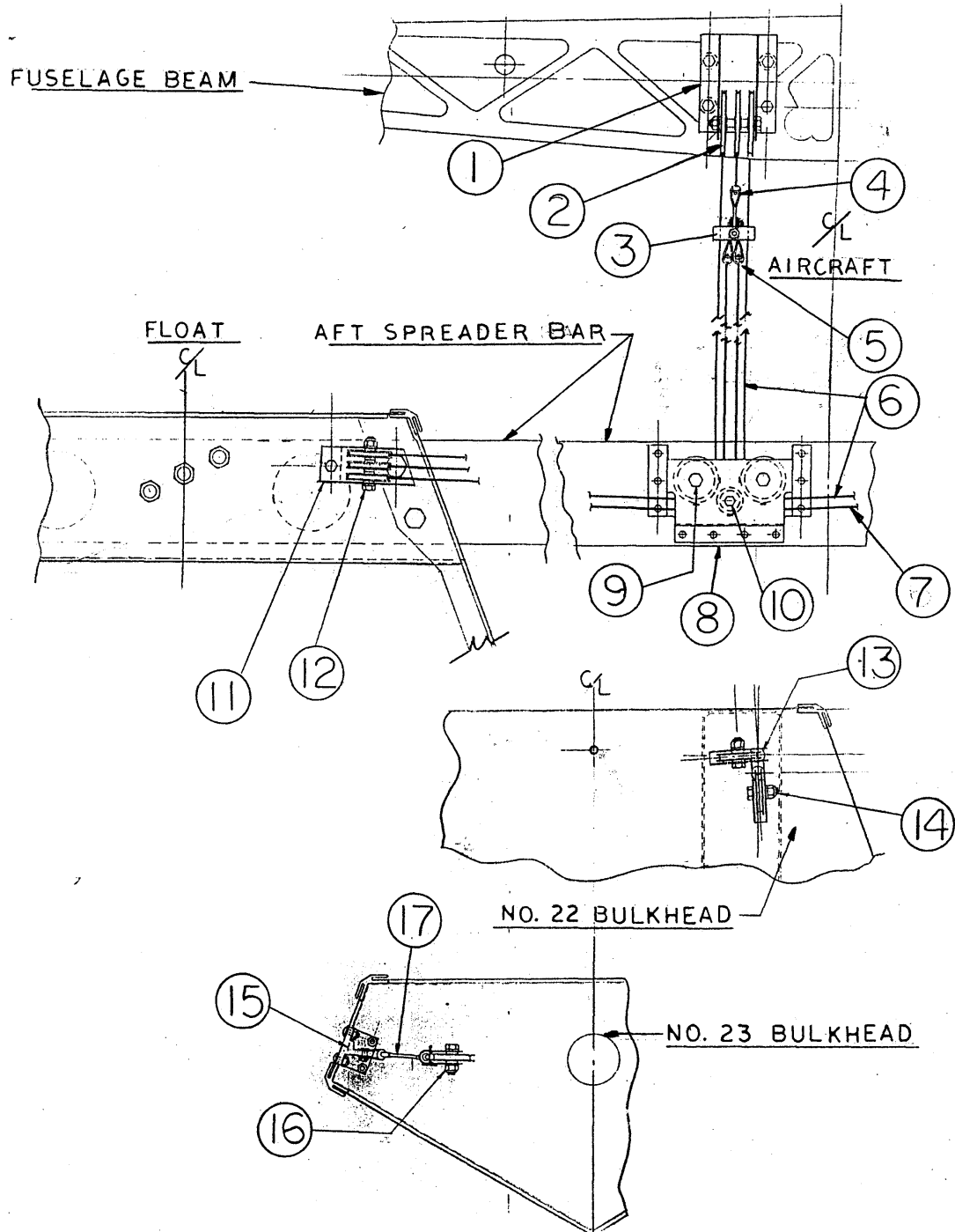
<u>REF NO.</u> <u>NO. REQ.</u>	<u>PART DESCRIPTION</u>	<u>PART NO.</u>
1 1	ASSEMBLY-RETRACT CABLE FUSELAGE	8A08000-031
2 1	ASS'Y-RETRACT CABLE-SPREADER BAR-LEFT	8A08000-037
3 1	ASS'Y-RETRACT CABLE-SPREADER BAR-RIGHT	8A08000-038
4 2	ASSEMBLY-RETRACT CABLE-AFT FLOAT	8A08000-039
5 1	ASS'Y PULLEY BRKT.-INBD.-STA.208	8A08000-059
2	BOLT-ATTACH	AN3-4A
2	WASHER	NAS1149D0316J
2	NUT	MS21044N3
1	PULLEY	MS24566-2B
1	BOLT-PULLEY ATTACH	AN3-6A
1	WASHER	NAS1149D0316J
1	NUT	MS21044N3
2	COTTER PIN	MS24665-285
6 1	ASS'Y PULLEY BRKT.-OUTBD.-STA.208	8A08000-057
2	BOLT-ATTACH	AN3-4A
2	WASHER	NAS1149D0316J
2	NUT	MS21044N3
1	PULLEY	MS24665-2B
1	BOLT	AN3-6A
1	WASHER	NAS1149D0316J
1	NUT	MS21044N3
2	COTTER PIN	MS24665-285
7 1	PULLEY BRACKET-TOP STA.166.45	8A08002-082
1	PULLEY BRACKET -BOTTOM STA. 166.45	8A08002-081
1	PULLEY	MS24566-2B
1	BOLT	AN3-6A
1	WASHER	NAS1149D0316J
1	NUT	MS21044N3
1	COTTER PIN	MS24566-285

WIPLINE MODEL 8000 FLOAT PARTS MANUAL  
PULLEY BRACKETS – WATER RUDDER RETRACT  
FIGURE 16

<u>REF NO.</u>	<u>NO.</u>	<u>REQ.</u>	<u>PART DESCRIPTION</u>	<u>PART NO.</u>
8	1		ASS'Y PULLEY BRKT.-INBD. STA.143.00	8A08000-058
	1		PULLEY BRKT.-OTBD. STA.143.00	8A08002-068
	1		PULLEY	MS24566-2B
	1		BOLT	AN3-6A
	1		WASHER	NAS1149D0316J
	1		NUT	MS21044N3
	2		COTTER PIN	MS24665-283
	9	1		PULLEY
1			BOLT	AN3-12A
1			WASHER	NAS1149D0316J
1			NUT	MS21044N3
10	1		ASSEMBLY-RETRACT BRACKET (COMPLETE)	8A08000-121
	1		ASSEMBLY-LEVER	8A08000-061
	1		PLACARD (UP-DOWN)	6A3-2246-1
	1		PLACARD (FOR ALL OPERATIONS)	6B3-2243-2
	1		SPRING	0560013-1
11	2		BARREL	MS21251B3S



THIS PAGE INTENTIONALLY LEFT BLANK



PULLEY BRACKETS – WATER RUDDER CONTROL  
FIGURE 17

WIPLINE MODEL 8000 FLOAT PARTS MANUAL

PULLEY BRACKETS – WATER RUDDER CONTROL  
FIGURE 17

<u>REF NO.</u>	<u>NO.</u>	<u>REQ.</u>	<u>PART DESCRIPTION</u>	<u>PART NO.</u>	
1	1		PULLEY BRACKET-FUSELAGE BEAM	8A08000-030	
	3		BOLT-ATTACH	AN3-13A	
	1		BOLT-ATTACH	AN3-20A	
	4		WASHER	NAS1149D0316J	
	4		NUT	MS21044N3	
	3		BUSHING-SPACER	8A08260-001	
	2	3		PULLEY	MS24566-2B
1			BOLT-PULLEY ATTACH	AN3-17A	
2			SPACER	NAS43HT3-16	
1			WASHER	NAS1149D0316J	
1			NUT	MS21044N3	
2			COTTER PIN	MS24665-292	
3		2		GUIDE-CABLE - UPPER	8A08608-001
	1		BOLT	AN3-7A	
	1		PIN	AN393-15	
	1		WASHER	AN960-10	
	1		COTTER PIN	MS24665-132	
	1		PIN	AN393-17	
	1		COTTER PIN	AN380-2-2	
	1		WASHER	AN960PD1OL	
	1		NUT	MS21044N3	
	2		LOWER GUIDE	8A08662-001	
	1		CLEVIS	MS20392-2C15	
	1		CLEVIS	MS20392-2C17	
	4	1		ASSEMBLY-RETRACT CABLE-FUSELAGE	8A08000-031
	5	1		ASSEMBLY-RETRACT CABLE-LEFT FORWARD	8A08000-037
1			ASSEMBLY-RETRACT CABLE-RIGHT FORWARD	8A08000-038	
2			ASSEMBLY-RETRACT CABLE-AFT FLOAT	8A08000-039	
2			TUBING-RETRACT CABLE-PLASTIC (5/16OD X 3/16)	RM613 or equivalent	
6	1		ASSEMBLY-STEERING CABLE-RIGHT	8A08000-032	
	1		ASSEMBLY-STEERING CABLE-LEFT	8A08000-033	
	2		ASSEMBLY-STEERING CABLE-TAIL	8A08000-034	

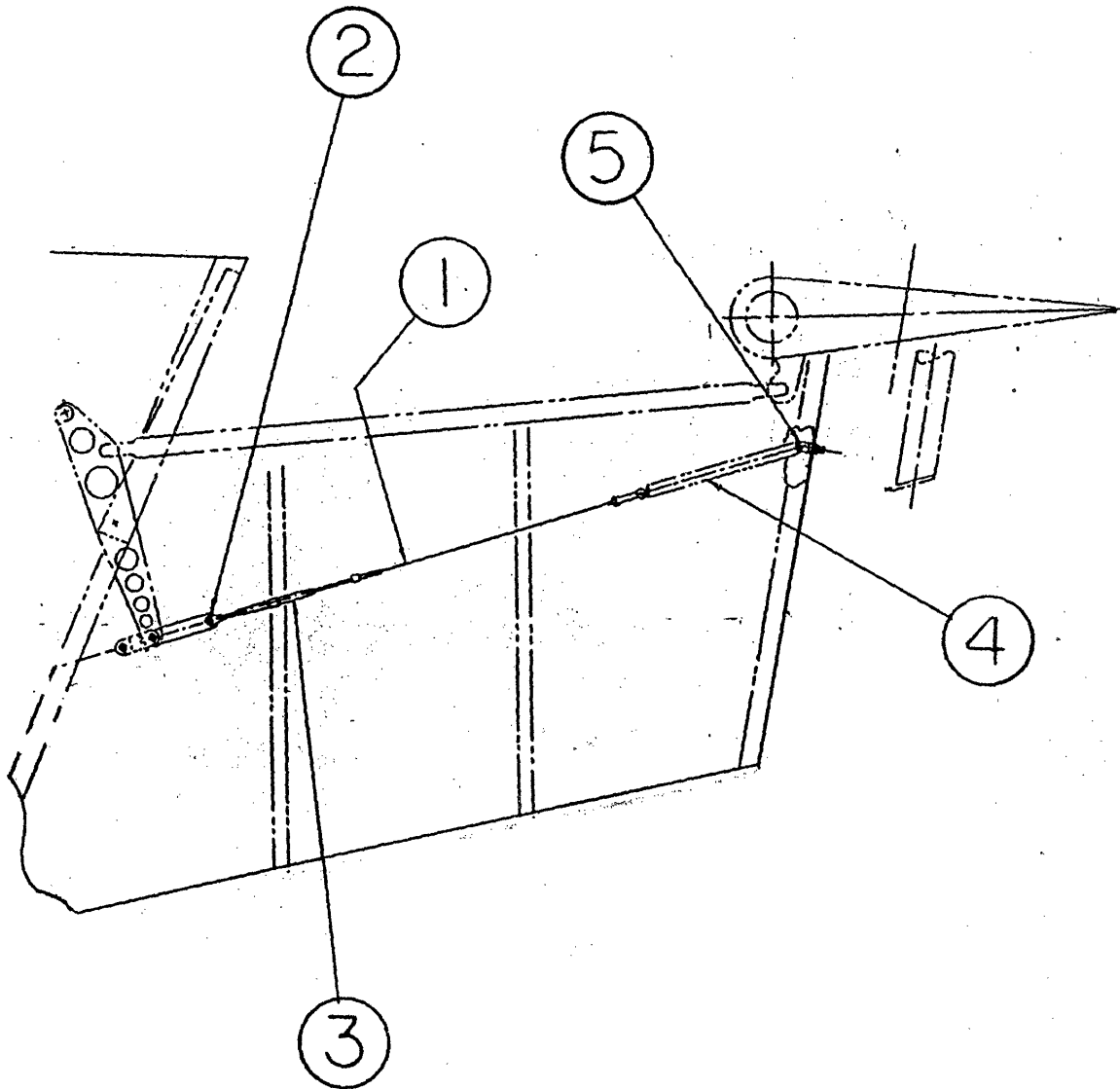
WIPLINE MODEL 8000 FLOAT PARTS MANUAL

PULLEY BRACKETS – WATER RUDDER CONTROL  
FIGURE 17

<u>REF NO.</u>	<u>NO.</u>	<u>REQ.</u>	<u>PART DESCRIPTION</u>	<u>PART NO.</u>
7	1		ASSEMBLY-BALANCE CABLE STEERING-LEFT	8A08000-035
	1		ASSEMBLY-BALANCE CABLE STEERING-RIGHT	8A08000-036
8	1		PULLEY BRACKET SPREADER BAR	8A08000-040
	10		RIVET-ATTACH	CR3213-4-4
9	4		PULLEY	MS20219-2
	2		BOLT-ATTACH	AN4-13A
	2		WASHER	NAS1149D0416J
	2		NUT	MS21044N4
	4		COTTER PIN	MS24665-289
10	1		PULLEY	8A08702-036
	1		BOLT-ATTACH	AN3-13A
	1		BUSHING	8A08517-001
	1		SPACER	NAS43HT4-17
	1		WASHER	NAS1149D0316J
	1		NUT	MS21044N3
	1		COTTER PIN	MS24665-289
11	1		ASS'Y PULLEY BRACKET-LEFT	8A08000-041
	1		ASS'Y PULLEY BRACKET-RIGHT	8A08000-042
	1		BOLT-ATTACH	AN3-33A
	1		WASHER	NAS1149D0316J
	1		NUT	MS21044N3
12	3		PULLEY	MS20219-2
	1		BOLT-ATTACH	AN4-17A
	1		WASHER	NAS1149D0463J
	1		NUT	MS21044N4
13	2		PULLEY BRACKET	3A01151-010
	2		PULLEY	MS20219-2
14	2		BOLT-PULLEY ATTACH	AN4-10A
	2		NUT	MS21044N4

WIPLINE MODEL 8000 FLOAT PARTS MANUAL  
PULLEY BRACKETS – WATER RUDDER CONTROL  
FIGURE 17

<u>REF NO.</u>	<u>NO. REQ.</u>	<u>PART DESCRIPTION</u>	<u>PART NO.</u>
	2	COTTER PIN	MS24665-134
15	1	PULLEY BRACKET-LEFT	8A08194-001
	1	PULLEY BRACKET-RIGHT	8A08194-002
	4	SCREW-ATTACH	AN526-1032R8
	8	WASHER	NAS1149D0316J
	4	NUT	MS21044N3
16	2	PULLEY	MS20219-2
	2	BOLT-ATTACH	AN4-10A
	2	NUT	MS21044N4
17	2	ASSEMBLY-CABLE	8A08000-043
	2	PIN-ATTACH	MS20392-2611
	2	WASHER	NAS1149D0363J
	2	COTTER PIN	MS24665-132



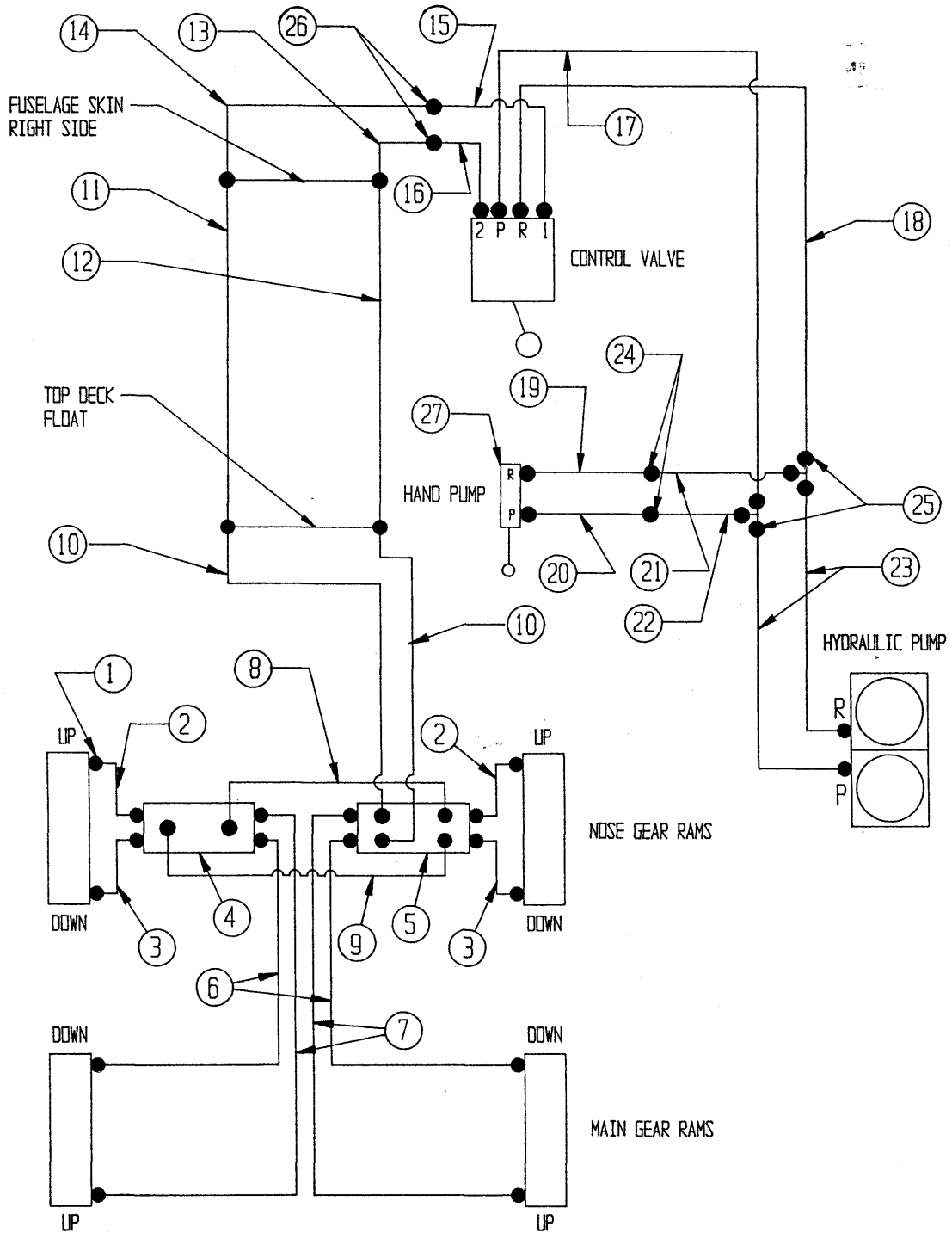
INSTALLATION ELEVATOR DOWN STOP  
FIGURE 18

WIPLINE MODEL 8000 FLOAT PARTS MANUAL

INSTALLATION ELEVATOR DOWN STOP  
FIGURE 18

<u>REF NO.</u>	<u>NO.</u>	<u>REQ.</u>	<u>PART DESCRIPTION</u>	<u>PART NO.</u>
1	1		ASSEMBLY CABLE-ELEVATOR DOWN	8A08000-044
2	2		LINK-CABLE ATTACH	2624015-2
	1		FORK-CABLE END	MS21252-3RS
	1		BOLT	AN3-6A
	1		WASHER	NAS1149D0316J
	1		NUT	MS21044N3
3	1		BARREL	MS21251B3L
4	1		SPRING	1260016-1
5	1		EYE BOLT	AN43B5A
	1		WASHER	NAS1149D0416J
	1		NUT	MS21044N4

WIPLINE MODEL 8000 FLOAT PARTS MANUAL



HYDRAULIC SCHEMATIC  
FIGURE 19



WIPLINE MODEL 8000 FLOAT PARTS MANUAL

HYDRAULIC SCHEMATIC  
FIGURE 19

<u>REF NO.</u>	<u>NO.</u>	<u>REQ.</u>	<u>PART DESCRIPTION</u>	<u>PART NO.</u>
1	8		FITTING-ELBOW	MS20822-4D
2	2		ASSEMBLY-HOSE	8A09000-042
3	2		ASSEMBLY-HOSE	8A09000-041
4	1		ASSEMBLY-MANIFOLD	6A09000-027
	2		FITTINGS	AN816-4D
	1		FITTING	AN816-5-4D
	1		BRACKET	8A01003-078
5	1		ASSEMBLY-MANIFOLD	6A09000-028
	2		FITTINGS	AN816-4D
	1		FITTING	AN816-5-4D
	1		BRACKET	8A01003-078
6	2		ASSEMBLY-HOSE (118")	8A09000-040
7	2		ASSEMBLY-HOSE (155")	8A09000-039
8	1		ASSEMBLY-HOSE (127")	8A09000-037
9	1		ASSEMBLY-HOSE (129")	8A09000-073
10	2		ASSEMBLY-HOSE	8A09000-043
11	1		ASSEMBLY-HOSE	8A09000-049
12	1		ASSEMBLY-HOSE	8A09000-050
13	1		ASSEMBLY-LINE	8A12000-007
14	1		ASSEMBLY-LINE	8A12000-003
15	1		ASSEMBLY-LINE	8A12000-001
16	1		ASSEMBLY-LINE	8A12000-011

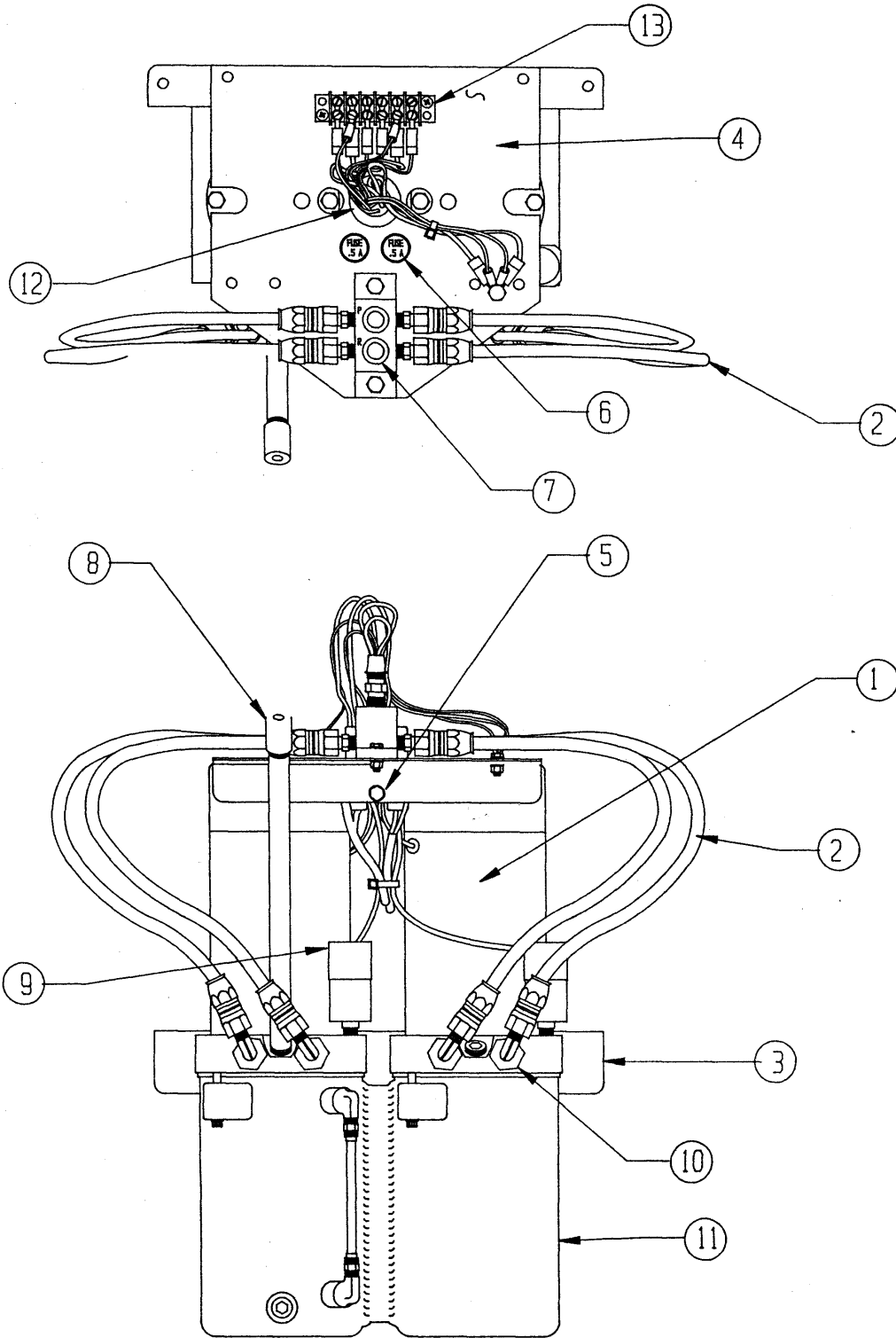
WIPLINE MODEL 8000 FLOAT PARTS MANUAL

HYDRAULIC SCHEMATIC  
FIGURE 19

<u>REF NO.</u> <u>NO. REQ.</u>	<u>PART DESCRIPTION</u>	<u>PART NO.</u>
17 1	ASSEMBLY-LINE	8A12000-008
18 1	ASSEMBLY-LINE	8A12000-006
19 1	ASSEMBLY-HOSE	8A09000-105
20 1	ASSEMBLY-HOSE	8A09000-104
21 1	ASSEMBLY-LINE	8A12000-009
22 1	ASSEMBLY-LINE	8A12000-010
23 2	ASSEMBLY-HOSE	8A09000-103
24 2	UNION-FITTING	AN815-5D
25 2	TEE-FITTING	AN824-5D
26 2	UNION-FITTING	AN815-5D
27 1	HAND PUMP	914-8D-27
1	REDUCER-FITTING (RETURN)	AN919-11D
1	"O" RING	MS28775-016
1	REDUCER-FITTING (PRESSURE)	AN919-7D
1	"O" RING	MS28775-013
1	BRACKET MOUNT (RIGHT)	8A09003-054
1	BRACKET MOUNT (LEFT)	8A09003-053
1	COVER HAND PUMP	8A09005-210
1	HANDLE	1002838

THIS PAGE INTENTIONALLY LEFT BLANK

WIPLINE MODEL 8000 FLOAT PARTS MANUAL

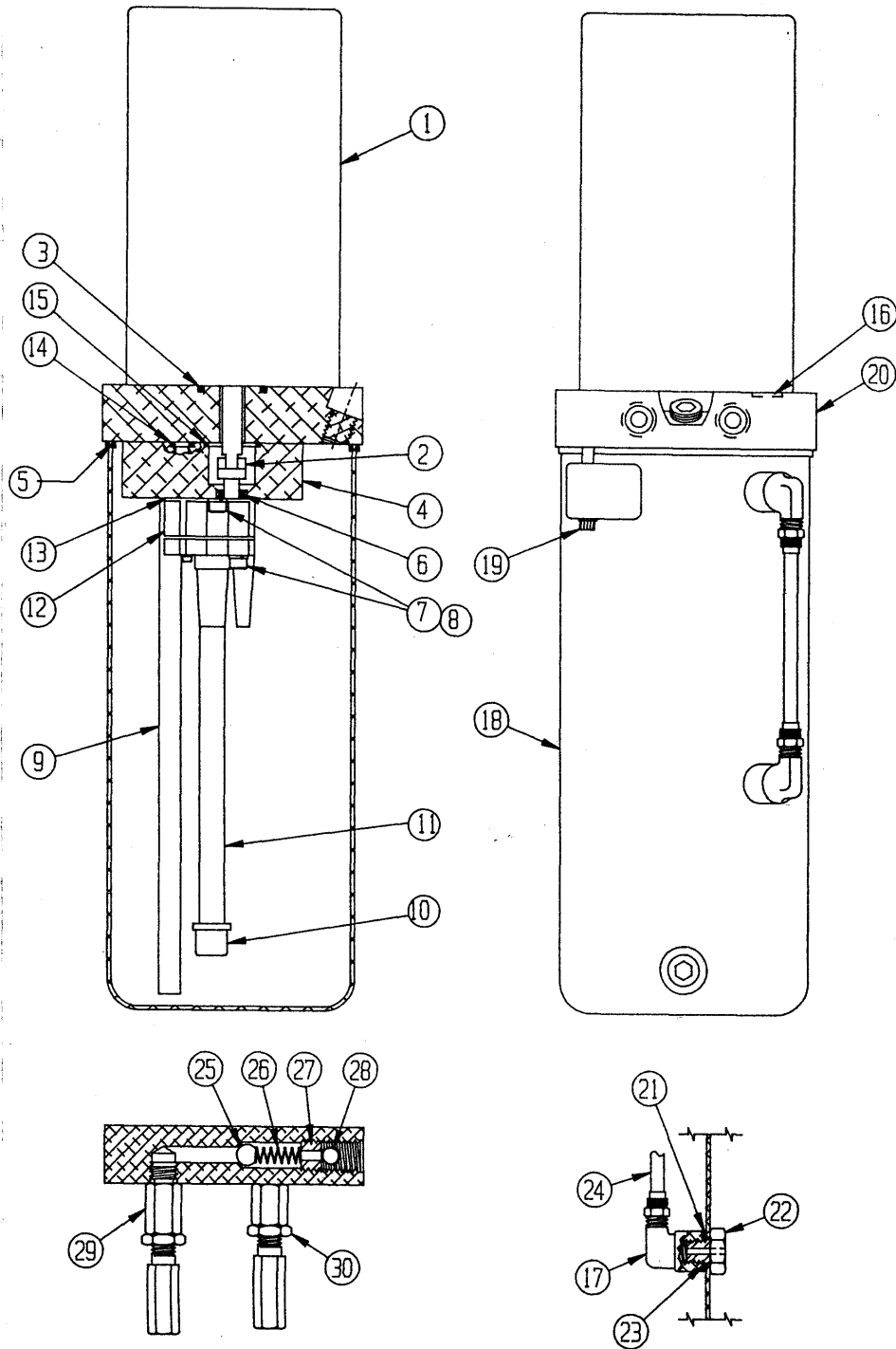


INSTALLATION HYDRAULIC PUMP  
FIGURE 20

WIPLINE MODEL 8000 FLOAT PARTS MANUAL

INSTALLATION HYDRAULIC PUMP  
FIGURE 20

<u>REF NO.</u>	<u>NO. REQ.</u>	<u>PART DESCRIPTION</u>	<u>PART NO.</u>
1	1	ASSEMBLY-PUMP (AS SHOWN)	8A09000-031
	1	ASSEMBLY PUMP (FIG. 21) with motor	636603A
2	4	ASSEMBLY HOSE (12")	8A09000-048
3	1	ANGLE-PUMP MOUNT	6A09348-003
	4	CAP SCREW	MS16997-96
	4	WASHER-LOCK	3/8 I.D.
4	1	ASSEMBLY BRACKET PUMP MOUNT	6A09000-030
5	1	BOLT	AN3-36A
	1	WASHER	NAS1149F0363P
6	1	FUSEHOLDER	6A09000-128
	1	FUSEHOLDER	6A09000-129
	2	FUSE ½ amp	AGS1
7	1	ASSEMBLY MANIFOLD	6A09000-027
	1	MANIFOLD	6A09207-001
	4	FITTING	AN816-4D
	2	FITTING	AN816-5D
8	1	TUBE BREATHER-FILLER	6A09398-001
	1	FILTER BREATHER	6A09706-001
9	2	SWITCH PRESSURE	GPP1250-40
10	4	ELBOW	AN833-4D
	4	NUT	AN924-4D
	4	"O" RING	MS28775-012
11	1	ASSEMBLY RESERVOIR	6A09000-115
12	1	GROMMET	MS35489-17
13	1	TERMINAL BLOCK	6-140



HYDRAULIC PUMP ASSEMBLY  
FIGURE 21

WIPLINE MODEL 8000 FLOAT PARTS MANUAL

HYDRAULIC PUMP ASSEMBLY  
FIGURE 21

<u>REF NO.</u>	<u>NO. REQ.</u>	<u>PART DESCRIPTION</u>	<u>PART NO.</u>
	1	ASSEMBLY-MOTOR AND PUMP (24V)	636603A
1	1	MOTOR (24V)	MB56N1
	1	BRUSH AND BEARING SERVICE KIT	MB56C902-3 KIT
	1	BRUSHES ONLY	MB56C902-3
	1	BEARINGS ONLY	ST102-6
2	1	COUPLING	361730
3	1	"O" RING	409406
4	1	SPACER	361726
5	1	SEAL RESERVOIR	410958
6	1	OIL SEAL	410512
7	4	LOCK WASHER	410410
8	4	SCREW	406187
9	1	PIPE NIPPLE	409894
10	1	FILTER	410521
11	1	TUBE EXTENSION	361843
12	1	PUMP ASSEMBLY	633383
13	2	"O" RING	MS28775-009
14	2	"O" RING	401273
15	1	"O" RING	MS28775-020

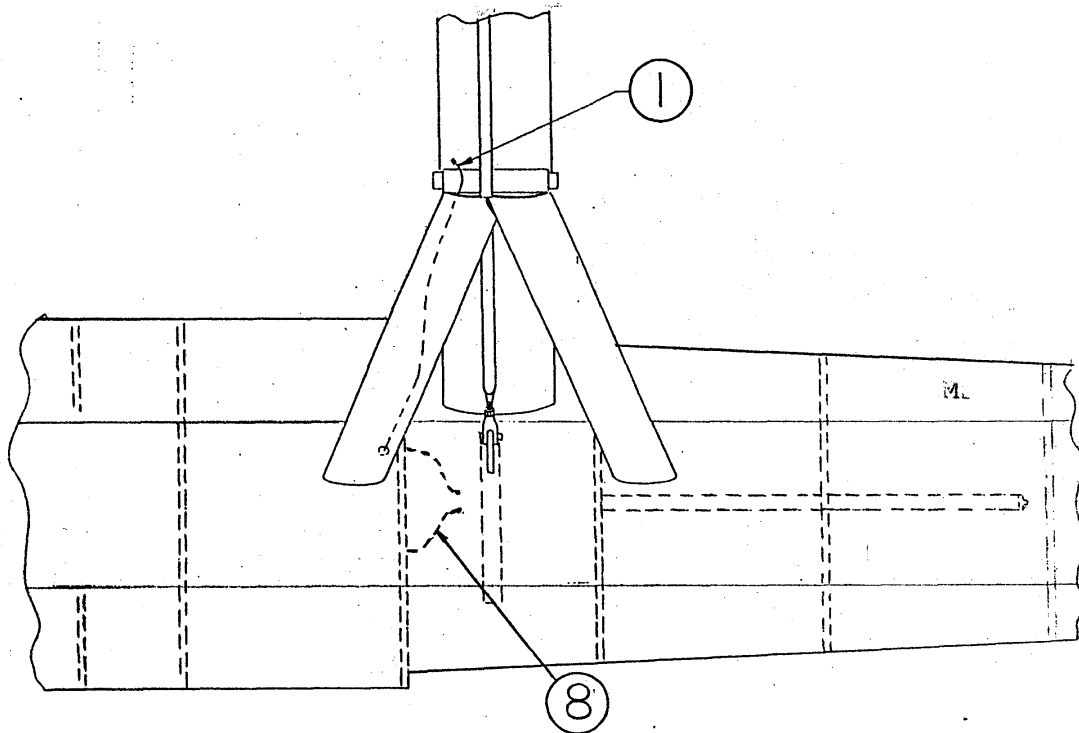
WIPLINE MODEL 8000 FLOAT PARTS MANUAL

HYDRAULIC PUMP ASSEMBLY  
FIGURE 21

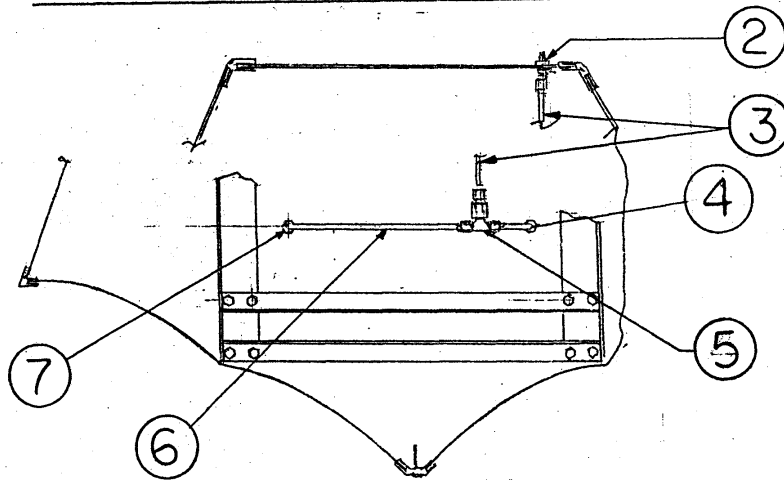
<u>REF NO.</u>	<u>NO. REQ.</u>	<u>PART DESCRIPTION</u>	<u>PART NO.</u>
16	2	WASHER, PILOT ¼ DIA	361615
17	2	ELBOW	410330
18	1	ASSEMBLY RESERVOIR	6A09000-115
19	2	SCREW	406187
	2	WASHER	409357
20	1	ADAPTOR	361473
21	1	"O" RING	361049
22	2	SCREW SIGHT GAUGE	360824
23	2	"O" RING	MS28775-110
24	1	TUBE SIGHT GAUGE	361507
25	1	STEEL BALL	490405
26	1	SPRING	410462
27	1	LOCK SCREW	409211
28	1	PIPE PLUG	409263
29	1	ASSEMBLY VALVE PRESSURE RELIEF	704520
30	1	ASSEMBLY VALVE THERMAL RELIEF	704522



**THIS PAGE INTENTIONALLY LEFT BLANK**



TOP VIEW LEFT FLOAT - STEP AREA



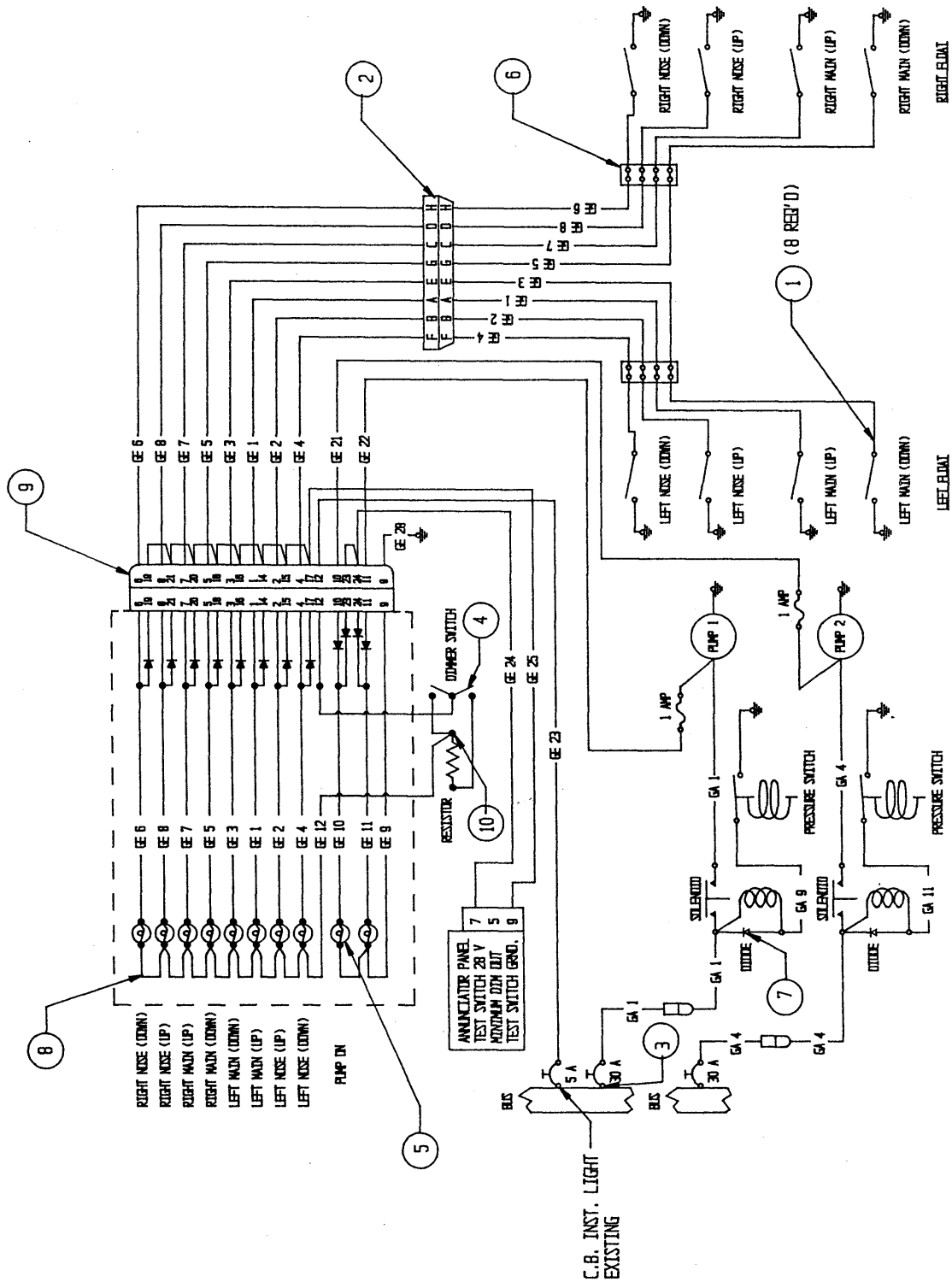
FRONT VIEW STEP BULKHEAD

INSTALLATION BRAKE LINES  
FIGURE 22

WIPLINE MODEL 8000 FLOAT PARTS MANUAL

INSTALLATION BRAKE LINES  
FIGURE 22

<u>REF NO.</u>	<u>NO. REQ.</u>	<u>PART DESCRIPTION</u>	<u>PART NO.</u>
1	2	ASS'Y BRAKE LINE-FLOAT DECK TO FUS.	8A04000-039
2	1	UNION-BULKHEAD FITTING	AN832-3D
	2	WASHER	NAS1149D0663J
	1	NUT	AN924-3D
3	1	ASSEMBLY-BRAKE LINE	8A04000-040
4	1	ASSEMBLY-BRAKE LINE	8A04000-041
5	1	TEE	AN824-4D
	1	REDUCER	AN894D4-3
6	1	ASSEMBLY-BRAKE LINE	8A04000-042
7	2	BULKHEAD FITTING	AN833-4D
	2	WASHER	NAS1149D0763J
	2	NUT	AN924-4D
8	2	ASSEMBLY BRAKE LINE-BULKHEAD TO BRAKE	8A04000-043
9	2	REDUCER	8A09707-001

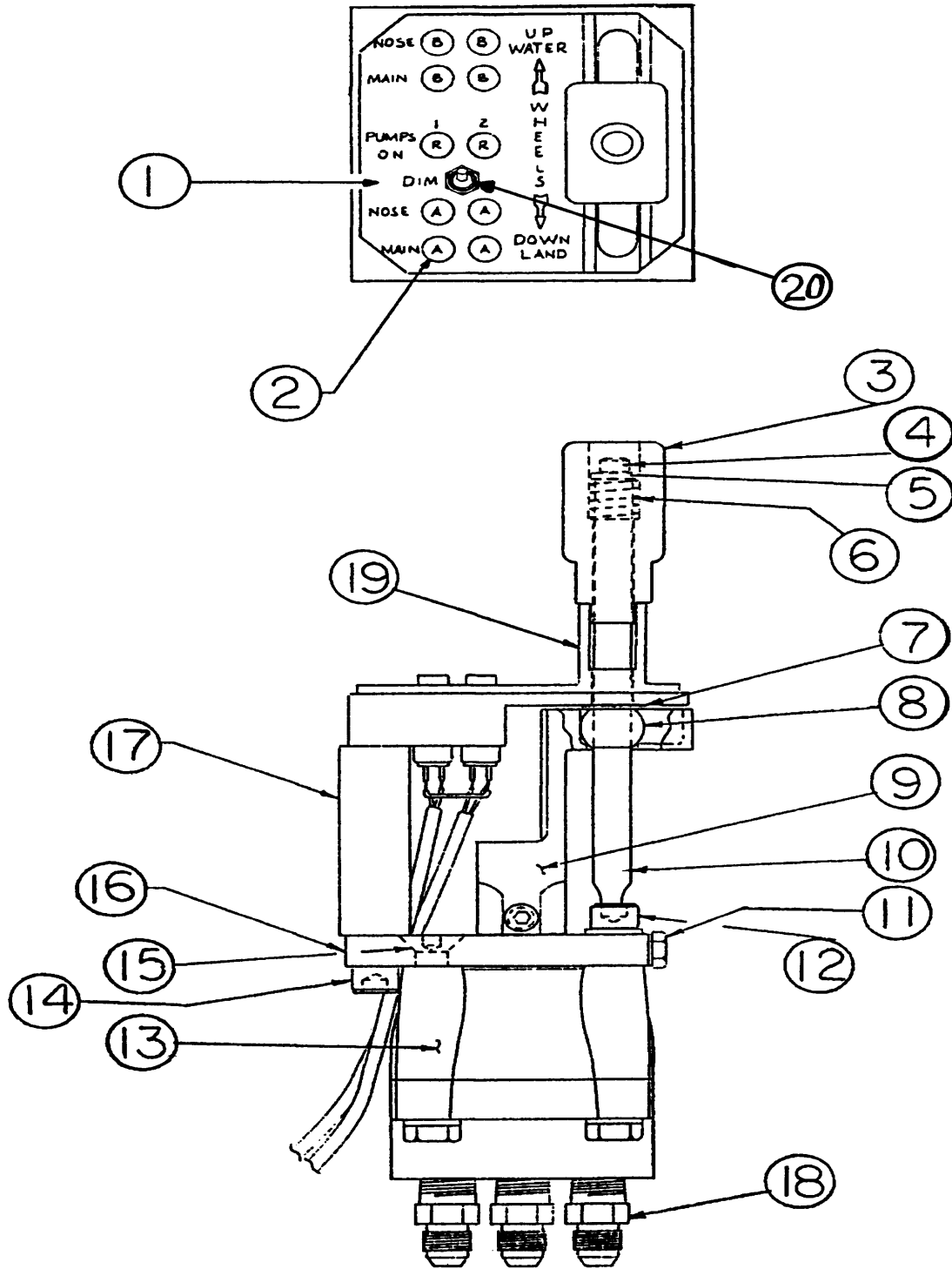


SCHMATIC ELECTRICAL AMPHIB  
FIGURE 23

WIPLINE MODEL 8000 FLOAT PARTS MANUAL

SCHEMATIC ELECTRICAL AMPHIB  
FIGURE 23

<u>REF NO.</u>	<u>NO. REQ.</u>	<u>PART DESCRIPTION</u>	<u>PART NO.</u>
1	8	PROXIMITY SWITCH	5801
2	2	PLUG	MS3476W12-10P
	8	PIN – FEMALE	M39029/5-115
	8	PIN – MALE	M39029/4-110
	1	CLAMP	MS3417-12C
3	2	CIRCUIT BREAKER	S1232-530
4	1	SWITCH DIMMER	A101SYCB
5	4	LAMP-BLUE (24V)	5073918-1434-600
	4	LAMP-AMBER (24V)	5073918-1433-600
	2	LAMP-RED (24V)	5073918-1431-600
6	2	TERMINAL BLOCK	4-140
7	2	ASSEMBLY DIODE	3A10000-002
8	1	PLUG GEAR WARNING	4A11000-003
9	1	PLUG	205208-1
	1	PLUG BODY	DB-24659
	12	DIODE	1N4004
	21	MALE PIN	1-66506-0
10	1	RESISTOR	RH-5-180



GEAR CONTROL ASSEMBLY  
FIGURE 24

## WIPLINE MODEL 8000 FLOAT PARTS MANUAL

GEAR CONTROL ASSEMBLY  
FIGURE 24

<u>REF NO.</u>	<u>NO. REQ.</u>	<u>PART DESCRIPTION</u>	<u>PART NO.</u>
1	1	PLACARD	5A3-694
2	2	LIGHT-RED	5073918-1431-600
	4	LIGHT-BLUE	5073918-1434-600
	4	LIGHT-AMBER	5073918-1433-600
	10	SOCKET	515-0012
	3	SCREW	AN526-832R8
3	1	KNOB	6A11603-002
4	1	SCREW	MS16996-10
5	1	WASHER	6A11274-002
6	1	SPRING	6A09713-001
7	2	WASHER	NAS1149D0616J
8	1	ROLLER	6A11704-001
9	1	LINK	6A11032-002
10	1	SHAFT	6A11506-001
11	1	BOLT	NAS6203-7
12	2	CAP SCREW	MS16997-80
13	1	VALVE	6A09000-080
	1	SEAL KIT	KD70119
14	2	CAP SCREW	MS16997-88
15	2	SCREW FLAT HEAD SOCKET	MS24667-40
16	1	FITTING	6A11190-001

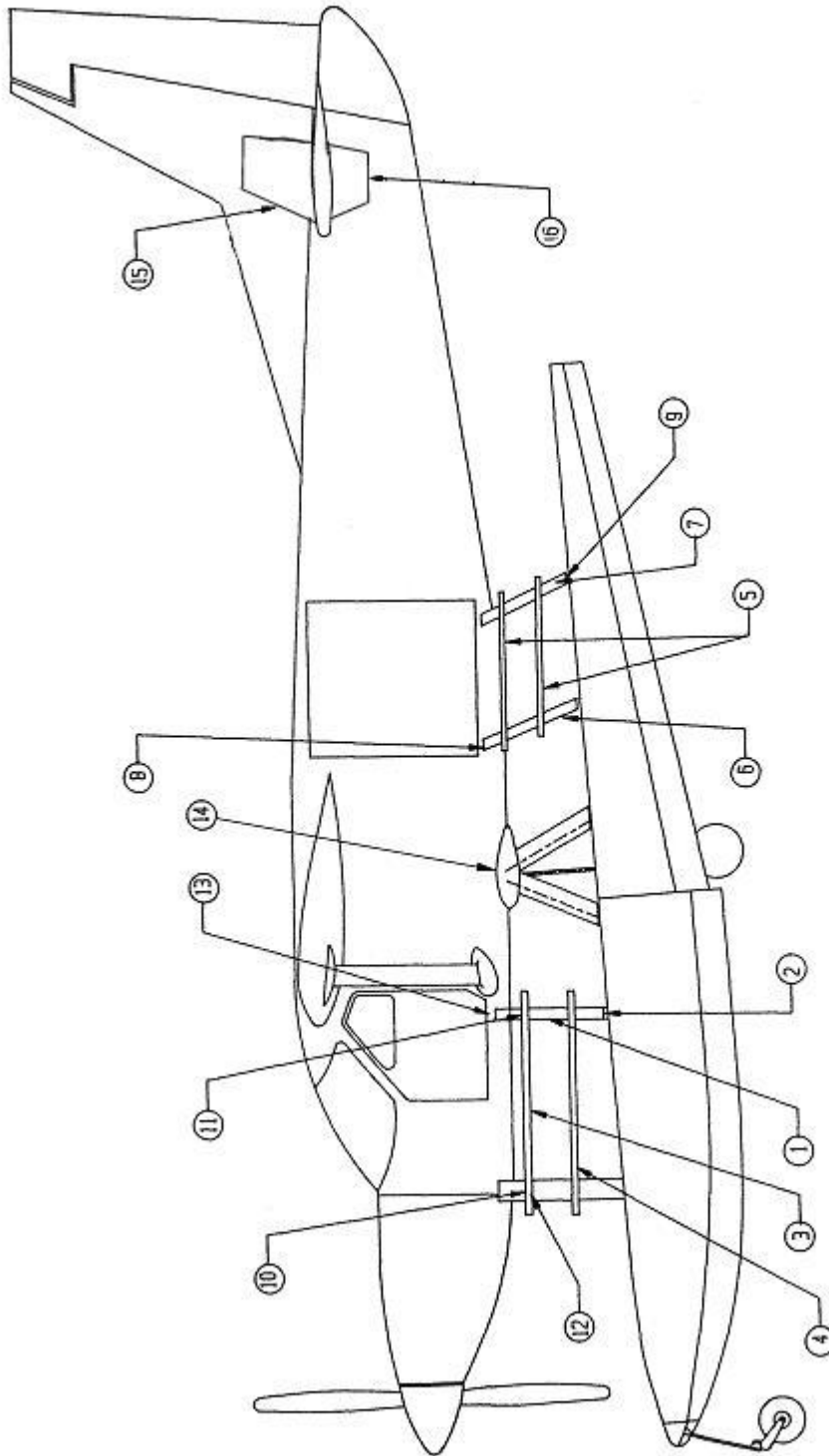
WIPLINE MODEL 8000 FLOAT PARTS MANUAL

GEAR CONTROL ASSEMBLY  
FIGURE 24

<u>REF NO.</u>	<u>NO. REQ.</u>	<u>PART DESCRIPTION</u>	<u>PART NO.</u>
17	2	SPACER	6A11278-001
18	4	NIPPLE	AN816-5-4D
19	1	BLOCK-HOUSING	8A11199-006
20	1	DIMMER SWITCH	A101SYCB
21	1	COMPLETE ASSEMBLY CONTROL VALVE	8A09000-102



**THIS PAGE INTENTIONALLY LEFT BLANK**



FUSELAGE STEP ASSEMBLY  
FIGURE 25

WIPLINE MODEL 8000 FLOAT PARTS MANUAL

FUSELAGE STEP ASSEMBLY  
FIGURE 25

<u>REF NO.</u>	<u>NO. REQ.</u>	<u>PART DESCRIPTION</u>	<u>PART NO.</u>	
1	1	ASS'Y STRUT-PILOT	8A02000-086	
	1	STRUT	8A02334-003	
	1	FITTING-LOWER	8A02053-005	
	1	FITTING-UPPER	8A02053-006	
	4	SCREW	MS24694S145	
	1	ASS'Y STRUT-CO-PILOT	8A02000-085	
	1	STRUT	8A02334-004	
	1	FITTING-LOWER	8A02053-005	
	1	FITTING-UPPER	8A02053-006	
	4	SCREW-ATTACH	MS24694S145	
	2	6	EYEBOLT-ATTACH	AN44-5A
		A/R	WASHER	NAS1149F0563P
		6	NUT	MS21044N5
	3	1	STEP-UPPER LEFT	8A02369-003
1		STEP-UPPER RIGHT	8A02369-002	
4	2	STEP-LOWER L/R	8A02369-004	
5	2	STEP-CARGO	8A02369-005	
6	1	ASS'Y STRUT-CARGO FRONT	8A02000-061	
	1	STRUT	8A02334-005	
	1	FITTING-UPPER	8A02053-007	
	4	SCREW	MS24694S145	
	1	FITTING LOWER	8A02053-005	
7	1	ASS'Y STRUT-CARGO REAR	8A02000-062	
	1	STRUT	8A02334-006	
	1	FITTING-LOWER	8A02053-005	
	1	FITTING-UPPER	8A02053-007	
	4	SCREW	MS24694S145	
8	3	BOLT-UPPER STRUT ATTACH	AN4-14A	

WIPLINE MODEL 8000 FLOAT PARTS MANUAL

FUSELAGE STEP ASSEMBLY  
FIGURE 25

<u>REF NO.</u> <u>NO. REQ.</u>	<u>PART DESCRIPTION</u>	<u>PART NO.</u>
	A/R WASHER	NAS1149F0463J
	3 NUT	MS21044N4
9	3 TUBE-SLIDE LOWER END	8A02273-007
	3 BOLT-ATTACH	AN4-12A
	A/R WASHER	NAS1149F0463P
	3 NUT	MS21044N4
10	2 BOLT-STEP TO FT. STRUT ATTACH	AN3-23A
	A/R WASHER	NAS1149F0363P
	2 NUT	MS21044N3
11	6 BOLT-STEP TO STEP STRUT ATTACH	AN3-17A
	A/R WASHER	NAS1149F0363P
	6 NUT	MS21044N3
12	12 HOLE PLUG 1"	BPF
13	2 DOUBLER-FUSELAGE SKIN	8A12008-127
	A/R RIVET-ATTACH	AN470AD4-5
14	1 FAIRING (LEFT)	8A02000-053
	1 FAIRING (RIGHT)	8A02000-054
	1 FAIRING SEAL 216"	R581529
15	2 UPPER FIN LEFT & RIGHT	8A12000-004
	NOTE: ALL SKINS ON FIN: .016 2024 T3 FOR MAJOR REPAIRE SEND TO FACTORY	
16	2 LOWER FIN LEFT & RIGHT	8A12000-005
	NOTE: ALL SKINS ON FIN: .016 2024 T3 FOR MAJOR REPAIRE SEND TO FACTORY	
17	4 STATIC WICK BASE	C592001-0203
18	1 COWEL COVER (STARTING 2007)	1002184

WIPLINE MODEL 8000 FLOAT PARTS MANUAL

PARTS MANUAL  
For  
MODEL 8000 WIPLINE FLOAT  
Item No. 1002178



1700 Henry Ave. – Fleming Field  
South St. Paul, MN 55075  
U.S.A.

Phone: (651) 451-1205

Fax: (651) 451-1786

[www.wipaire.com](http://www.wipaire.com)