

WIPAIRE, INC.
INVER GROVE HTS., MN.

DATE: July 21, 1992
Revised: July 25, 2002

SERVICE KIT: # 12

SUBJECT: Nose Gear Ram Update

MODEL: Wipline Model 4000,6000, 8000 Amphibian Floats

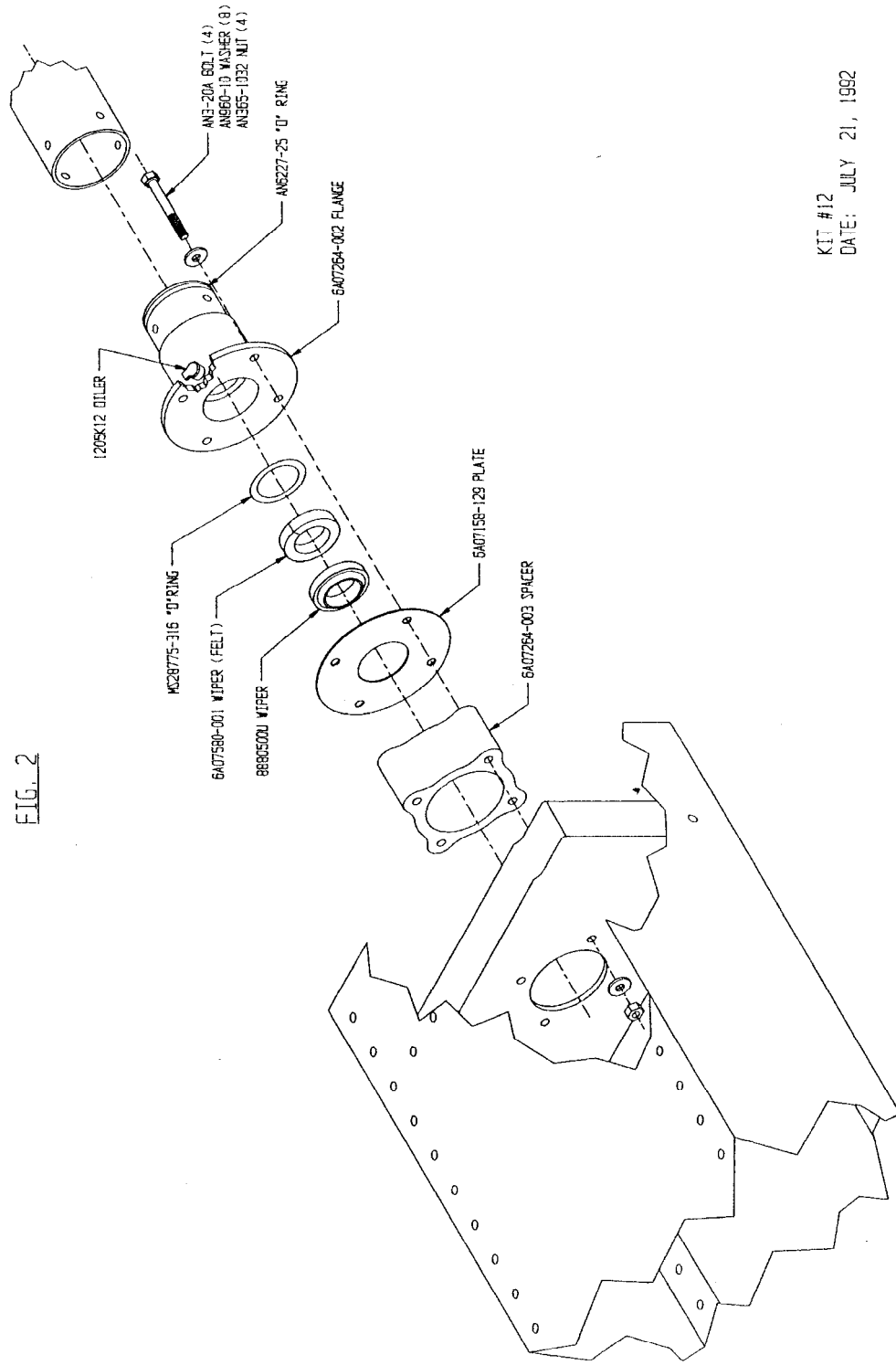
<u>ITEM</u>	<u>QTY</u> <u>PER FLOAT</u>	<u>PART NO</u>	<u>DESCRIPTION</u>	
1.	1	6A07264-002 (5B3-759)	Flange	
2.	1	6A07264-003 (5B3-760)	Spacer	
3.	1	6A07158-129 (9A3-765)	plate	
4.	1	6A07580-005 (9A3-764)	Wiper (Felt)	*
5.	1	8880510	Wiper (plastic)	*
6.	1	MS28775-316	O'Ring	
7.	1	MS28775-219	O'RING (RAM PISTON)	*
8.	1	MS28775-220	O'Ring	*
9.	1	1205K12	Oiler	
10.	4	AN3-17A	Bolt	
11.	4	NAS1149F0363P	Washer	*
12.	4	NAS1149F0332P	Washer	*
13.	4	AN365-1032	Nut	*
14.	1	Fig. 2	Ass'y-Drawing	
15.	1	#28	Service Letter	

INSTALLATION INSTRUCTIONS:

1. First you must jack the floats, see service manual for float handling and jacking.
2. Remove hydraulic lines.
3. Drain hydraulic oil in container.
4. Remove aft bulkhead retaining plate.
5. Remove fwd flange bolts.
6. Remove cylinder from fwd flange pulling straight back, drain hydraulic oil in container.
7. Unlock fwd ram nut.
8. Remove ram.
9. Remove flange.
10. Install replacement parts, in reverse order, care must be taken not to damage o'rings.
11. Assemble o'ring, wiper (felt), wiper(plastic) in flange before installation to nose box.
12. Use RTV or equiv. to seal between box, spacer, plate,and flange.

Note: Installation of the piston ram, is adjusted such that the rollers on the over center knuckle and the piston, bottom out at the same time, with gear in the down position.

FIG. 2



KIT #12
DATE: JULY 21, 1992