

WIPAIRE, INC.
INVER GROVE HEIGHTS, MN

SERVICE KIT: #20

DATE: January 24, 1996

SUBJECT: CONVERSION OF MODEL 8000 HULL (CESSNA 208) TO MODEL 8000(DHC3) HULL.

MODELS EFFECTIVE: Wipline Model 8000 float hulls.

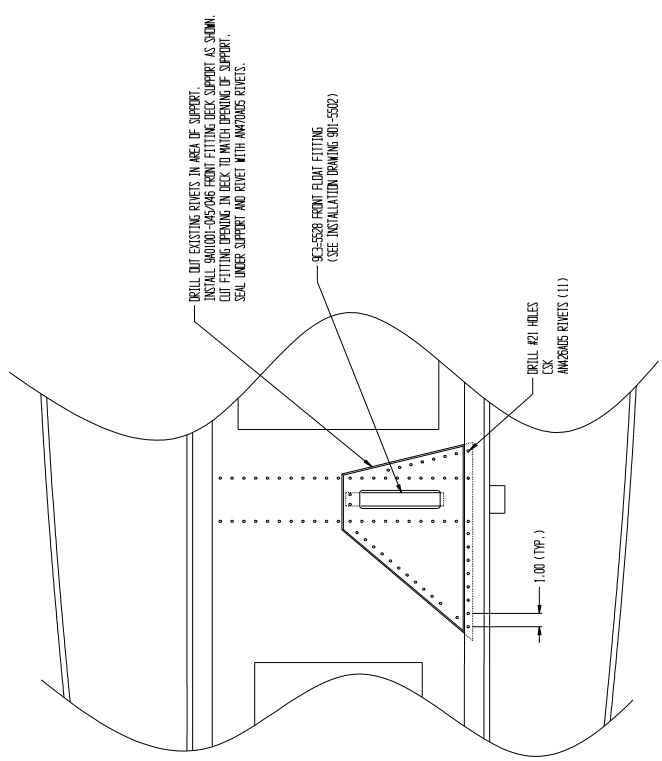
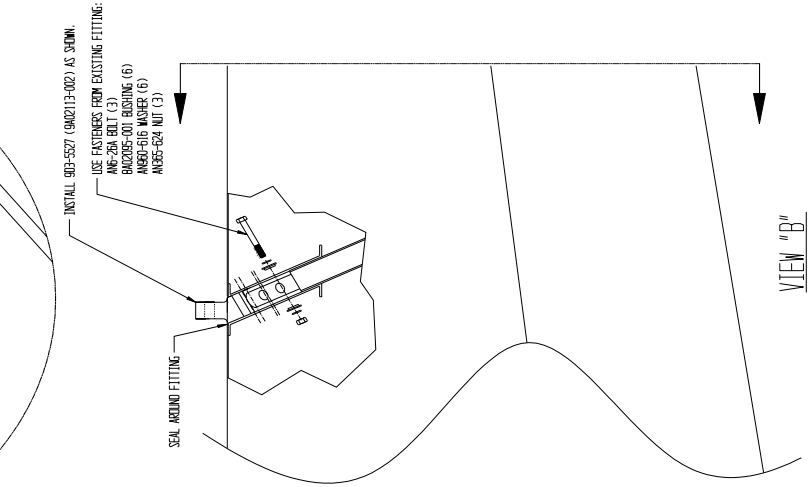
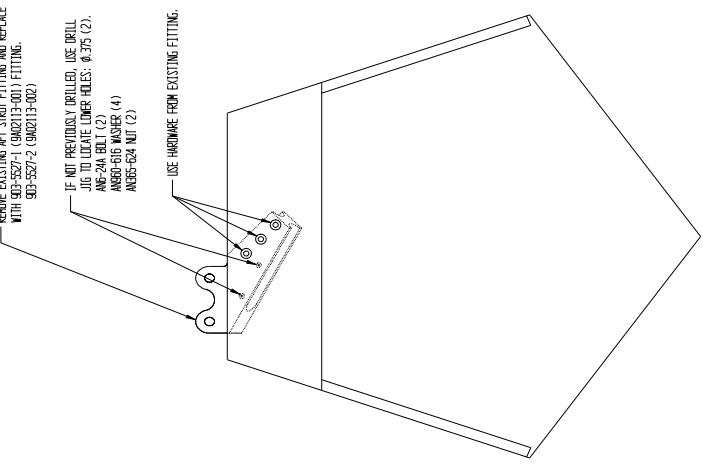
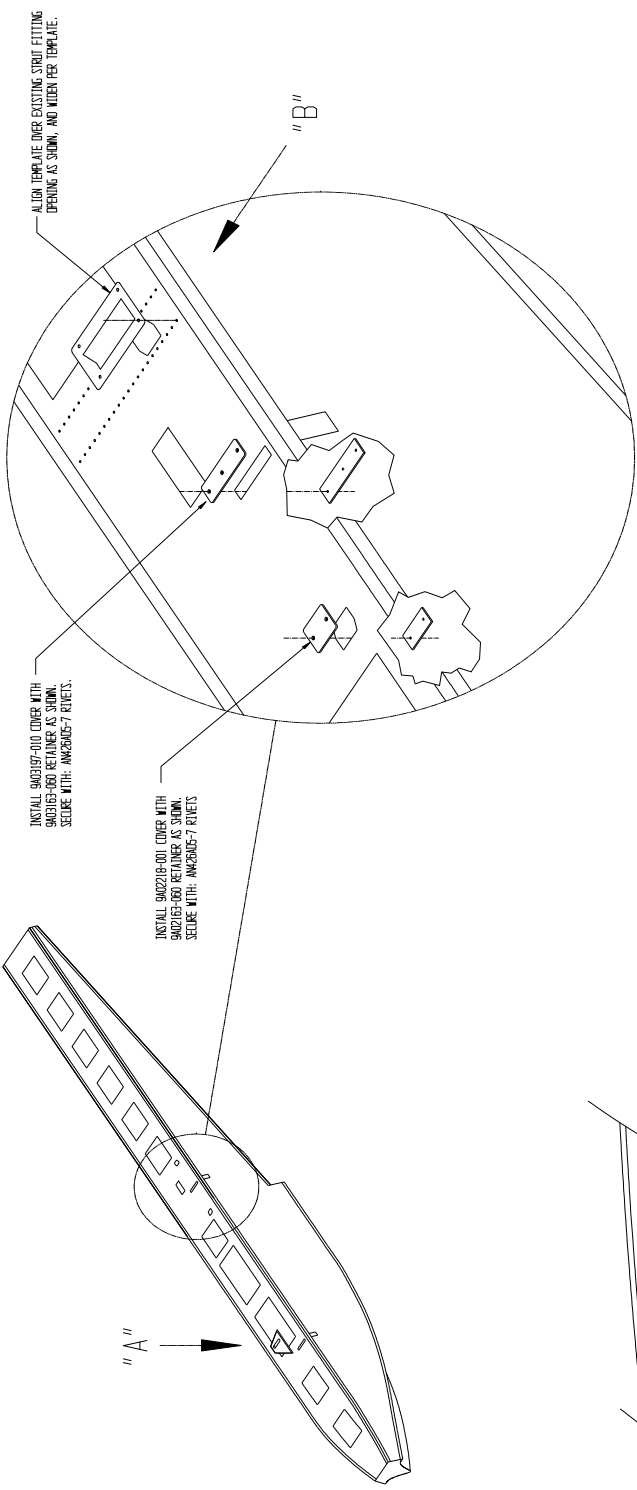
<u>Item</u>	<u>Quantity Per Float</u>	<u>Part No.</u>	<u>Description</u>
1.	1	9A01001-045	Support
2.	1	9A01001-046	Support
3.	2	9A02111-001	Fitting Float Front
4.	1	9A02113-001	Fitting Float Rear L.
5.	1	9A02113-002	Fitting Float Rear R.
6.	2	9A02218-001	Cover
7.	2	9A02163-059	Retainer
8.	2	9A03197-010	Cover
9.	2	9A03163-060	Retainer
10.	4	AN6-24A	Bolt
11.	8	AN960-616	Washer
12.	4	AN365-624	Nut
13.	32	AN426AD5-7	Rivet
14.	40	AN470AD5-5	Rivet
15.	40	AN470AD5-7	Rivet
16.	1		Template
17.	1		Drill Jig
18.	1	9D1-5511	Drawing
19.	1	No. 35	Service Letter

NOTE:

Above modification converts only the float hull of a Model 8000 (208 Cessna) to a Model 8000 to fit a DeHavilland DHC-3 Single Otter.

All other float installation parts are not compatible.

REV	DESCRIPTION	DATE	APPROV.



MATERIAL FINISH		WIPPAIRE INC 6520 RIVER ROAD, INNER GROVE HEIGHTS, MN. 55076	
NAME	DATE	TOLERANCES	TITLE
DR	01/17/96	.00 1.015	CONVERSION, HULL S/K #20
APPD	J.L.	.00 1.005	PROJ. NO. 901-5511
SCALE		DATE	
1/16"		1/96	