

- MANUFACTURERS OF WIPLINE FLOATS
- SPECIALISTS IN AIRCRAFT MODIFICATION

DATE: April 18, 2001

SERVICE KIT: #31

SUBJECT: Modification – Float Hull For Extreme Beaching

MODEL: 8000 Floats

<u>Item</u>	<u>Quantity</u>	<u>Material</u>	<u>Description</u>
1.	2	.100 thk, 6061-T6 alum.	Doubler - #23 Bulkhead
2.	4	.100 thk, 6061-T6 alum.	Doubler - #21 to #23 Bulkhead
3.	4	.050 thk, 6061-T6 alum.	Doubler - #16 to #17 Bulkhead
4.	2	RM328 6061-T6 Extrusion	Twin Otter Afterbody Main Keel
5.	4	RM357 6061-T6 Extrusion	Reinforcement Angle - #16 Bulkhead
6.	4	.100 thk, 6061-T6 alum. 2 1/4" x 24'	Tie Strap for Item 2 to Afterbody Keel
7.	4	.050 thk, 6061-T6 alum.	Side Doubler at Step – Chine to Side Stiffener

Instructions:

1. Reference sheet 2 for #23 Bulkhead Doubler; Bottom Doubler #21 to #23 Bulkhead, and Twin Otter Keel
2. Reference sheet 3 for Doubler #16 & #17 Bulkhead and Reinforcement Angle #16 Bulkhead.
3. Reference sheet 4 for Side Doubler at Step – Chine to Side Stiffener.
4. Service Manual

WEIGHT AND BALANCE INFORMATION

<u>Item</u>	<u>Weight Per Set (lb)</u>	<u>Arm</u>	<u>Moment</u>
1	2.50	362.71	907
2	20.50	338.0	6929
3	12.00	206.0	2472
4	8.00	289.0	2312
5	1.00	196.0	196
6	2.00	338.0	676
7	12.00	183.0	2196
Total	58.00	270.48	15688

Offices
8520 River Road
Inver Grove Heights
Minnesota 55076 USA

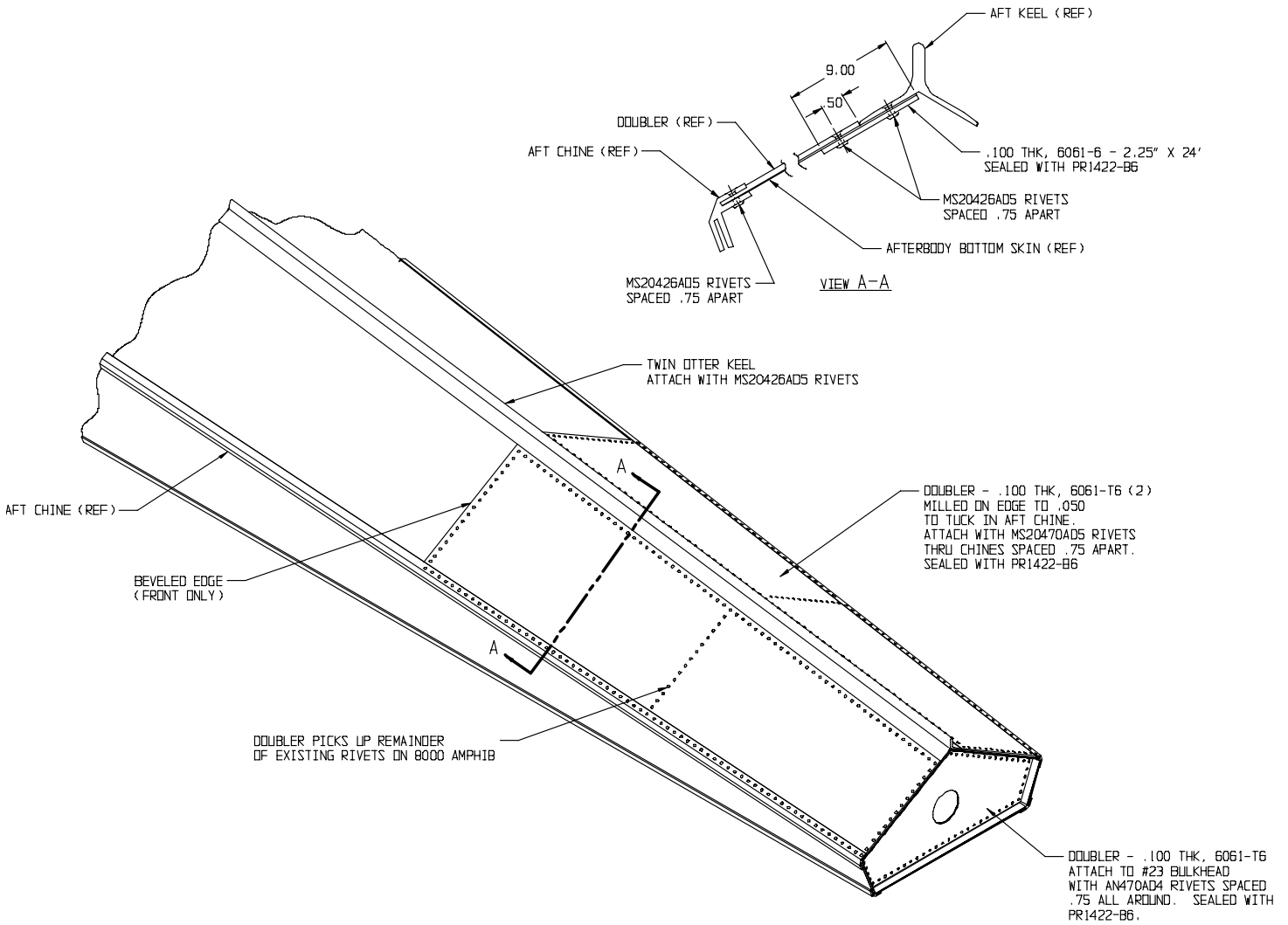
Phone: 651-451-1205

Fax: 651-451-1786

Airport Services
Hangar 7 Fleming Field
South Saint Paul
Minnesota 55075 USA

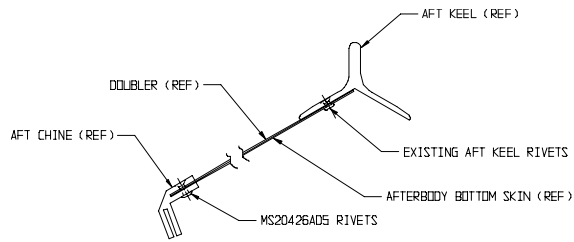


- MANUFACTURERS OF WIPLINE FLOATS
- SPECIALISTS IN AIRCRAFT MODIFICATION

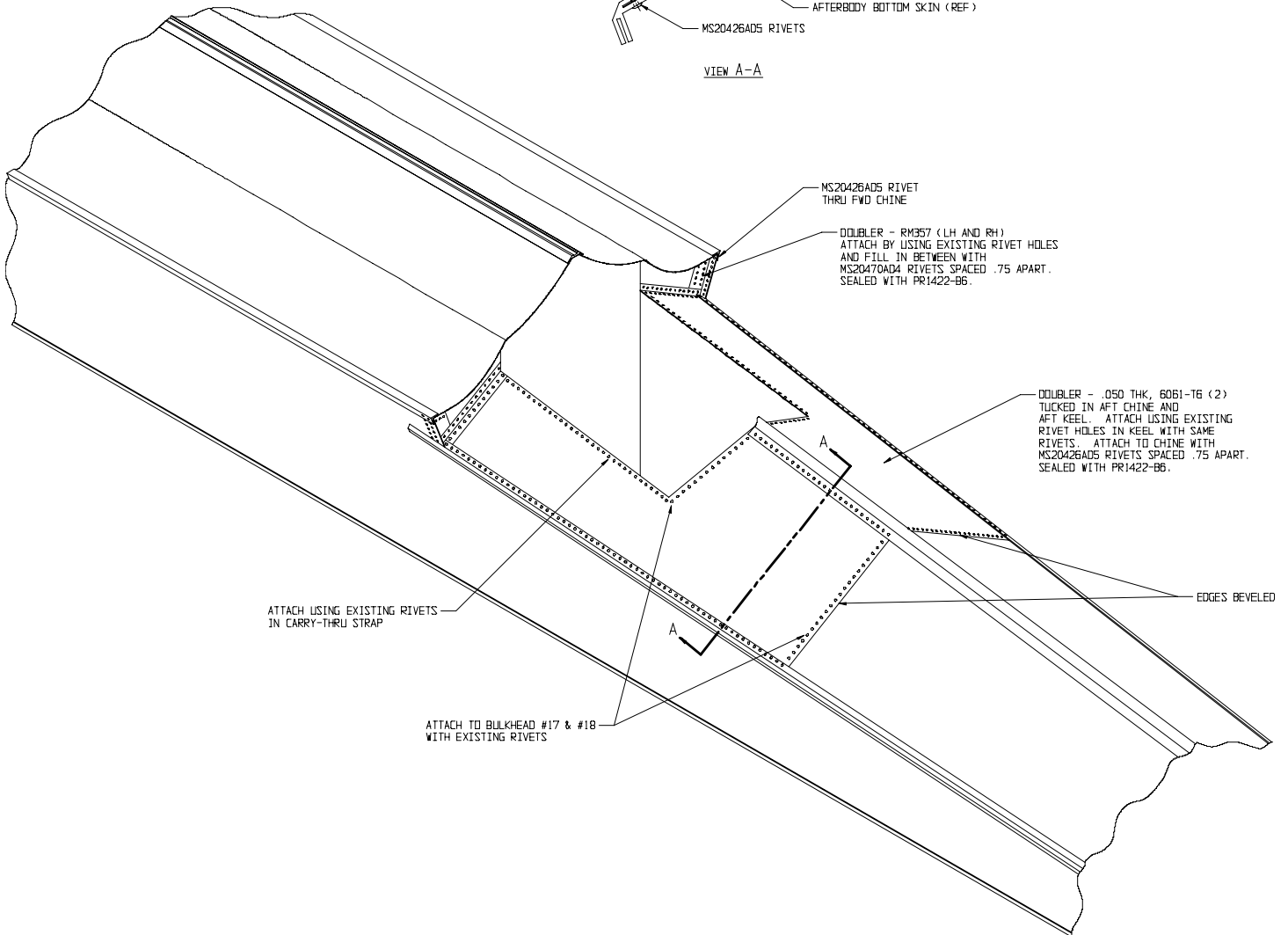


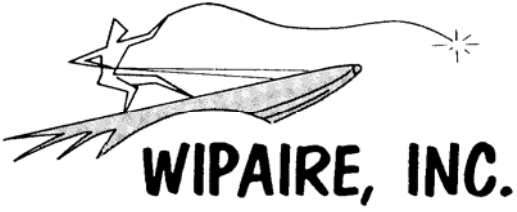


- MANUFACTURERS OF WIPLINE FLOATS
- SPECIALISTS IN AIRCRAFT MODIFICATION



VIEW A-A





- MANUFACTURERS OF WIPLINE FLOATS
- SPECIALISTS IN AIRCRAFT MODIFICATION

