



• MANUFACTURERS OF WIPLINE FLOATS & SKIS
• SPECIALISTS IN AIRCRAFT MODIFICATION

1700 Henry Avenue - Fleming Field
South St. Paul, MN 55075
651-451-1205

Rev
A

Date
3-15-06

Prepared by Ellen Parker	Aircraft Make / Model	Float / Ski Model 2100, 2350, 3000 & 3450 Amphibious Floats	Page 1 2
FAA Reviewed <input checked="" type="checkbox"/>	Title Addition of Hydraulic System Accumulator Hose		

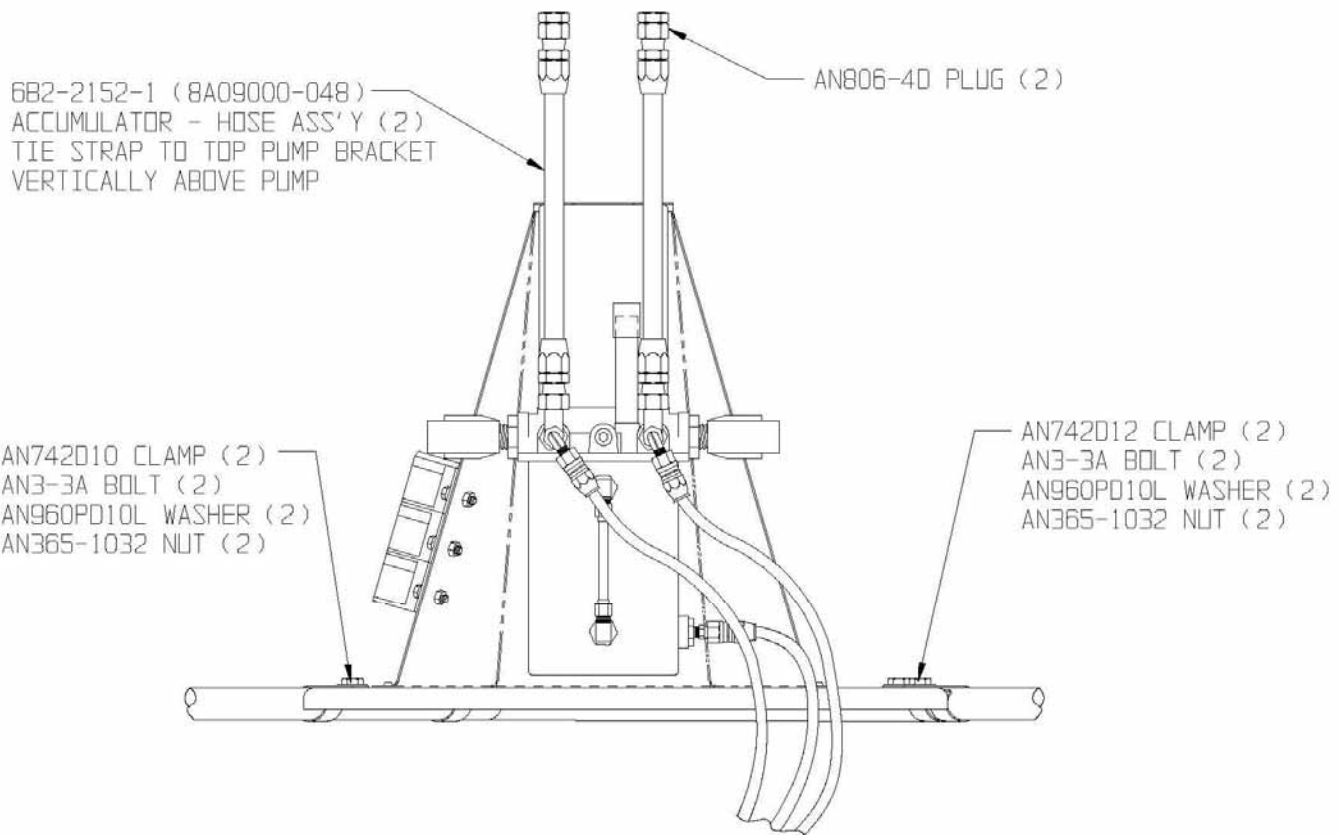
ALL INFORMATION IN THIS SERVICE DOCUMENT BASED ON FAA APPROVED DATA

DATE: March 15, 2006
SERVICE KIT: # 32
SUBJECT: Addition of Hydraulic System Accumulator Hose
MODEL: Wipline Model 2100, 2350, 3000, 3450 Floats

<u>ITEM</u>	<u>QTY</u> <u>PER FLOAT</u>	<u>PART NO</u>	<u>DESCRIPTION</u>
1.	2	AN804-4D	"T" Fitting
2.	2	AN924-4D	Nut
3.	2	MS28775-011	"O" Ring
4.	2	8A09000-048	Accumulator Hose
5.	2	AN806-4D	Plug
6.	1	#48	Service Letter

INSTALLATION INSTRUCTIONS:

1. Be sure master switch of aircraft is off.
2. Cycle hydraulic hand pump from neutral to up to down to neutral to relieve hydraulic pressure in lines.
3. Remove cowling or interior panels to access hydraulic pump.
4. Remove hydraulic lines at pump (note which is up and down).
5. Remove the two existing fittings at the pump (AN815-4D).
6. Replace with AN804-4D fitting, AN924-4D nut, and MS28775-011 "O" ring.
7. Install AN924-4D nut and MS28775-011 "O" ring on fitting before installing to pump.
8. Tighten AN804-4D fitting so end is vertical.
9. Install 8A09000-048 accumulator hose to fitting and tie so hose is positioned vertical. Install AN806-4D plug to hose end.
10. Re-install hydraulic lines to pump up to up and down to down.
11. After completing above, do a gear cycle test. Check for leaks and gear operation position.



(HYD. PUMP MOUNT INST.)