



• MANUFACTURERS OF WIPLINE FLOATS & SKIS
 • SPECIALISTS IN AIRCRAFT MODIFICATION

1700 Henry Avenue - Fleming Field
 South St. Paul, MN 55075
 651-451-1205

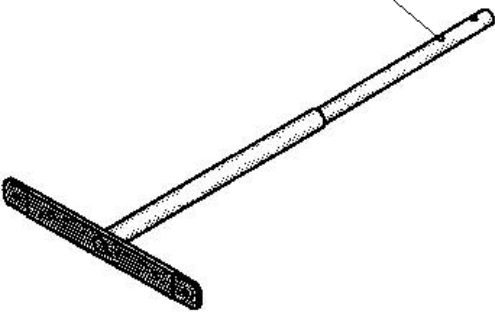
Rev / Latest
 Rev. Date
 A

Original
 Release
 5/30/2010

Prepared by Ellen Parker	Aircraft Make / Model Single Otter	Float / Ski Model 8000 Amphibious or Seaplane floats	Page 1 3
FAA Reviewed <input checked="" type="checkbox"/>	Title 8000 Water Rudder Pivot Shaft and Springs Inspection		

ALL INFORMATION IN THIS SERVICE DOCUMENT BASED ON FAA APPROVED DATA

SERVICE LETTER: 106

EFFECTIVITY	8000 Amphibious or Seaplane floats
COMPLIANCE	Inspection of the springs and shaft is mandatory. Replacement of the water rudder pivot shaft assemblies are at Owner/Operator discretion or if part of the assembly has failed or is damaged.
BACKGROUND	<p>Wipaire received reports of several failures of the water rudder pivot shaft assembly. The failures have occurred at the lower of the two retainer holes on the upper end of the shaft (see figure 1).</p> <p>Point where known failures have occurred.</p>  <p style="text-align: center;">FIGURE 1</p> <p>There are two possible causes for these failures:</p> <p>The springs attaching the cables to the tiller bar at the end of the shaft may be missing or damaged. These springs provide shock load relief for the shaft assembly. If they are compromised they could place high loads on the shaft assembly (see figure 2).</p>

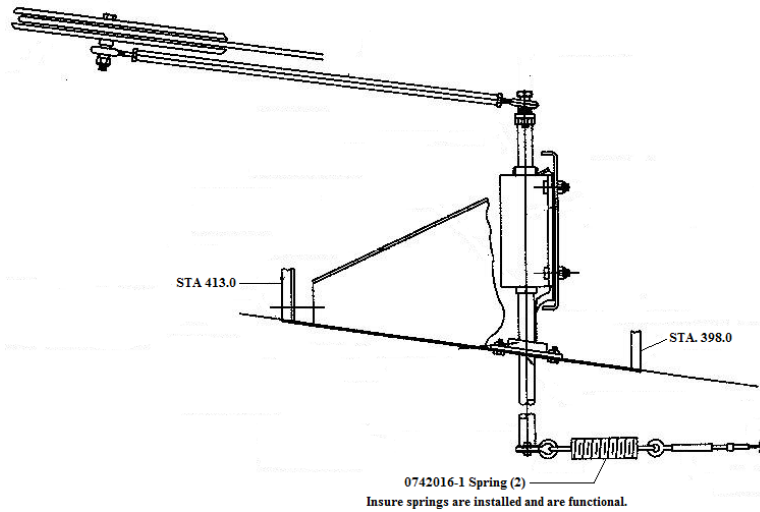


FIGURE 2

Some shafts may be experiencing hydrogen embrittlement causing the failure.

COMPLIANCE METHOD

New shafts, using a new base material with hardening and plating processes are in current production and are listed below as recommended improvements.

Owner/Operators are required to perform the inspection with the aid of this service letter. The parts listed are recommended improvements.

METHOD OF COMPLIANCE:

1. All aircraft should be inspected to insure the springs are installed and operating properly. If the springs are missing, corroded or in any way not functioning, they must be replaced.
2. At the Owner/Operator's discretion or if a shaft failure occurs the shafts should be replaced with the improved shafts.
3. Make a logbook entry regarding the compliance of this Service Letter.

Recommended parts for this Service Letter:

Spring Part # 0742016-1 4 ea. (as required)

Water Rudder Pivot Shaft Assy. Part # 9A08000-108 2 ea.

SHOP HOURS	4 hours
WARRANTY	None
NOTES	