



SERVICE KIT NUMBER 79			
TITLE: 8000 Float Water Rudder Lock Enhancement			
BY: J. SORTOR	AIRCRAFT MAKE/MODEL(S):	FLOAT MODEL(S):	NOTE(S):
APP: D. GARRETT	CESSNA 208 CARAVAN	8000 AMPHIBIOUS OR SEAPLANE	OPTIONAL COMPLAINE
DATE: 25-JAN-2012			S/K P/N 1005029
REV: B			ECO--22156

FAA APPROVAL HAS BEEN OBTAINED FOR TECHNICAL DATA IN THIS PUBLICATION THAT AFFECTS STC OR TSO DESIGN COMPLIANCE

EFFECTIVITY:

This service letter applies to all Wipline model 8000 amphibian floats, as installed on Cessna 208 Caravan aircraft. This service letter applies to Cessna 208 Caravan aircraft equipped with STC SA1311GL.

COMPLIANCE:

Service Kit compliance is optional and recommended.

BACKGROUND:

See Service Letter 111, P/N 1005028

TECHNICAL DATA:

See Service Letter 111, P/N 1005028 for technical accomplishment instructions.

KIT CONTENTS:

The following parts are included in this service kit:

1. (1) 1005045 -SPRING
2. (1) 1005046 -SPACER
3. (1) 1005047 -CAM
4. (1) 1005048 -HANDLE
5. (1) 1005049 -LEVER
6. (1) AN525-10R12 -SCREW
7. (1) AN525-10R24 -SCREW
8. (2) AN525-10R26 -SCREW
9. (1) AN525-416R11 -SCREW
10. (3) AN525-416R22 -SCREW
11. (4) MS21044N3 -NUT
12. (4) MS21083N4 -NUT
13. (5) NAS1149F0332P -WASHER
14. (4) NAS1149F0432P -WASHER
15. (1) NAS43HT3-37 -SPACER
16. (1) NAS43HT3-40 -SPACER
17. (1) NAS75-4-006 -BUSHING



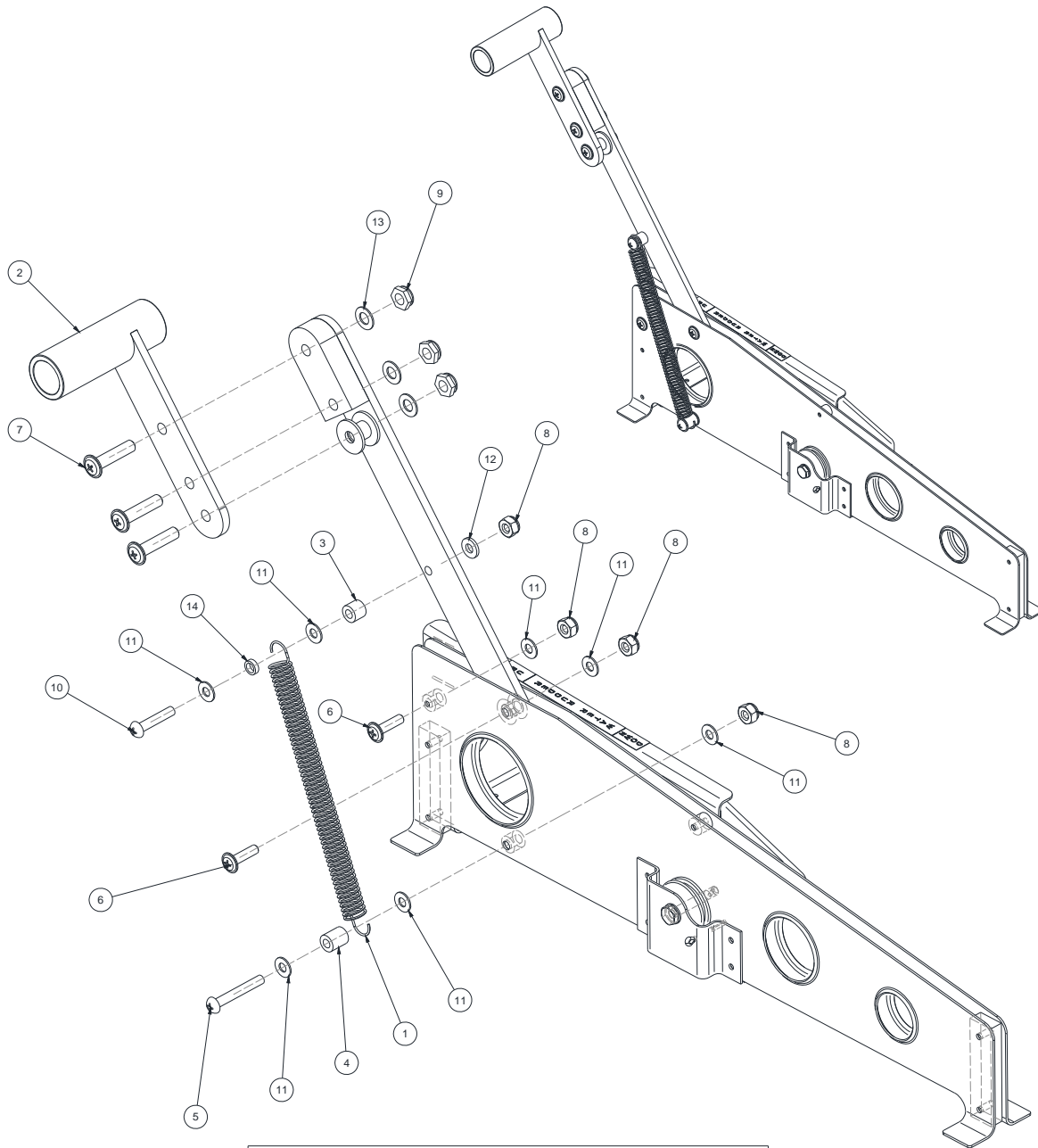
TECHNICAL DATA:

The following materials will be required to accomplish the service letter instructions, and are/are not included with this kit:

1. STANDARD MECHANIC TOOLS

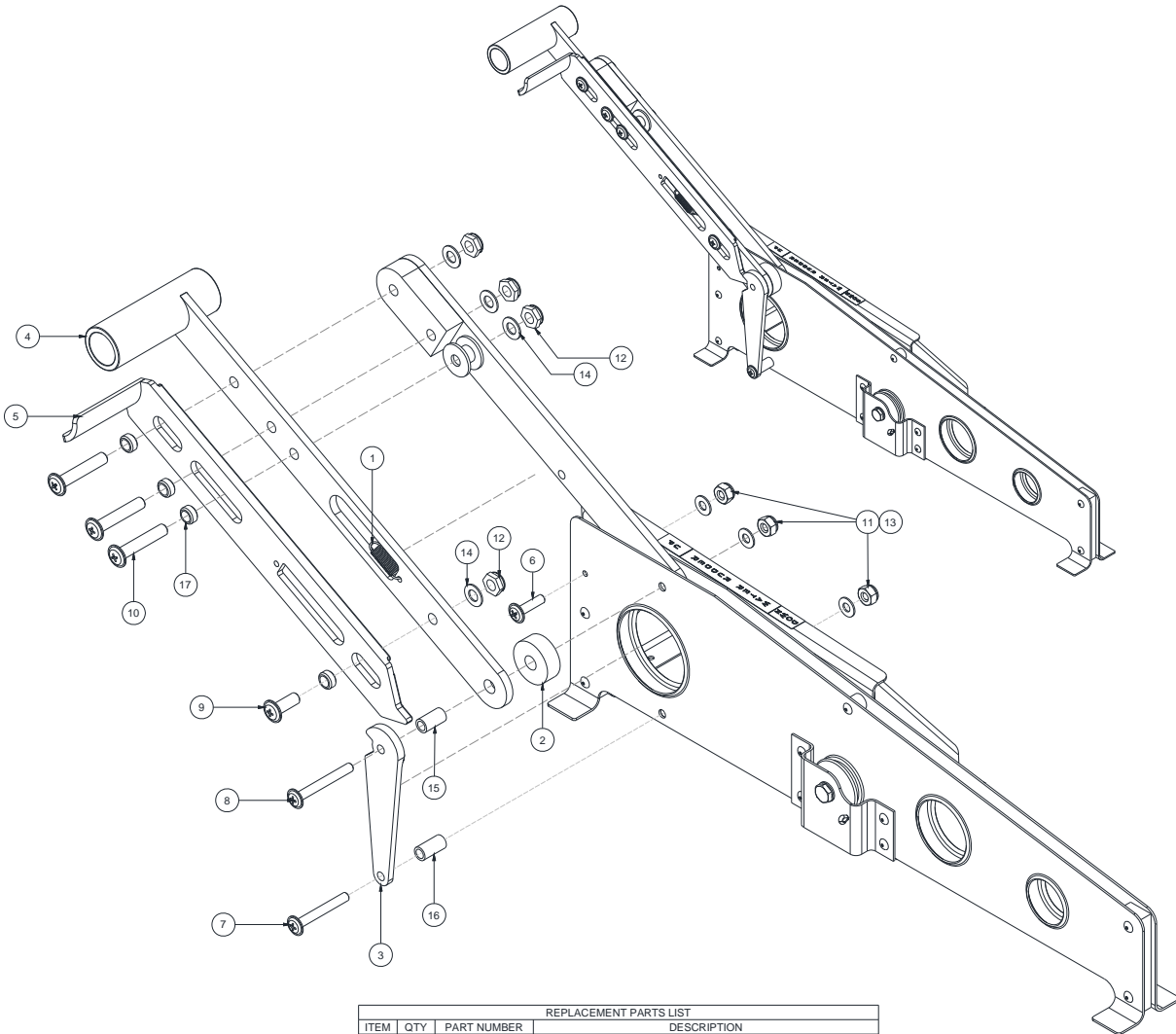
NOTES:

Remove parts and hardware as shown in Figure 1, and re-assemble with replacement parts as shown in Figure 2.



REMOVAL PARTS LIST			
ITEM	QTY	PART NUMBER	DESCRIPTION
1	1	0560013-1	EXTENSION SPRING
2	1	8A08000-061	ASSEMBLY, LEVER HANDLE
3	1	8A08267-006	SPACER, RETRACT HANDLE
4	1	8A08267-007	SPACER, RETRACT HANDLE
5	1	AN520-10R22	SCREW, BUTTON HEAD
6	2	AN525-10R12	SCREW, WASHER HEAD
7	3	AN525-416R18	SCREW, WASHER HEAD
8	4	MS21044N3	NUT
9	3	MS21083N4	NUT
10	1	MS35207-267	SCREW
11	7	NAS1149F0332P	WASHER
12	1	NAS1149F0363P	WASHER
13	3	NAS1149F0432P	WASHER
14	1	NAS43DD3-6FC	SPACER

FIGURE 1



REPLACEMENT PARTS LIST			
ITEM	QTY	PART NUMBER	DESCRIPTION
1	1	1005045	SPRING EXTENSION, LOCKING WATER RUDDER RETRACT, 208
2	1	1005046	SPACER, 1.0 OD X .33 ID X .38L
3	1	1005047	CAM, LOCKING WATER RUDDER RETRACT, 208
4	1	1005048	HANDLE, LOCKING WATER RUDDER RETRACT, 208
5	1	1005049	LEVER, LOCKING WATER RUDDER RETRACT, 208
6	1	AN525-10R12	SCREW, WASHER HEAD
7	1	AN525-10R24	SCREW, WASHER HEAD
8	1	AN525-10R26	SCREW, WASHER HEAD
9	1	AN525-416R11	SCREW, WASHER HEAD
10	3	AN525-416R22	SCREW, WASHER HEAD
11	4	MS21044N3	Nut
12	4	MS21083N4	NUT
13	5	NAS1149F0332P	WASHER
14	4	NAS1149F0432P	WASHER
15	1	NAS43HT3-37	SPACER
16	1	NAS43HT3-40	SPACER
17	4	NAS75-4-006	BUSHING, PRESS FIT

FIGURE 2