



**PARTS MANUAL  
FOR  
WIPLINE MODEL 10000 AMPHIBIAN FLOATS  
ON THE  
AT-802 & AT-802A FIRE BOSS CONVERSION**

**Revision T**



THIS PAGE INTENTIONALLY LEFT BLANK

### LOG OF REVISIONS

Revision	Pages Affected	Description	Date
A-P	All	For previous revision changes, reference Parts Manual for 10000 Amphibian Floats on AT-802 and AT-802A - Fire Boss Conversion Revision P part number 1002179.	8/10/2022
R	33, 36, 39-42, 53-64, 74-80, 88-91, 93-95, 98, 103-106, 175	Updated item 18 in Bulkhead #16 Left Float section. Updated item 18 in Bulkhead #16 Right Float section. Updated image and parts list for Wheel Well Right Float. Updated image and parts list for Wheel Well Left Float. Updated title, image, and parts list for Panel Forward Super Assembly & Front Strut Float Fitting section. Added new image and parts list in Skin Assembly, Top Deck Left - Float Serial Numbers 10309A & 10310A and Later. Updated Top Deck float serial number titles. Added new image and parts list in Skin Assembly, Top Deck Right - Float Serial Numbers 10309A & 10310A and Later. Changed Cross Ties 10A01382-031, 1301382-006, and 1003425 to 1012317 for floats 10307A & 10308A and prior. Updated Top Skins Left and Right Floats sections. Updated image and parts in Extrusions Hull - Chines section. Changed Air Tractor Nut F52N1610-164 to MS21044N16 and changed Nut MS21044N18 to MS20365-1812 in Struts, Front, Rear, & Steps section due to supply chain constraints. Updated image and parts list in Struts, Front, Rear, & Steps section. Changed item 8 from 10A06000-034 Pivot Block to 10A06000-039 Pivot Block Assembly in Nose Gear Lower End Assembly section. Added 1012007 Pivot Block and Yoke Assembly and 1012008 Nose Gear Assembly, Lower End for float serial numbers 10315A & 10316A and later. Added Pivot Block With Bearings Assembly Float Serial Numbers 10315A & 10316A And Later image and parts list. Updated title for Nose Gear Assembly, Lower End for float serial numbers 10313A & 10314A and prior. Changed 1002230 Rod T-Seal to quantity 2. Updated imaged and parts list in Main Gear Wheel Assembly section. Updated image and parts list in Main Gear Axle Assembly section. Replaced 10A09000-292 Assembly, Piston Rod, Probe Jack with 1011446 in Probe Jack Cylinder Assembly section as 10A09000-292 has been discontinued.	11/1/2023
T	66, 78-79, 81-92, 100-105, 107-109, 118, 153, 203, 207, 224	Changed Pin, Latch, Baggage Door 13A01283-016 to 13A01273-016 in Baggage Door Assembly Detail A. Added note to 1012302 and 1012303. Changed Fitting, Front Spreader Bar 13A03030-005 to 1012547. Added new pylon assembly sections for 1012302, 1012303, 10A02000-245, and 10A02000-246. Updated float serial numbers and parts list and image and added note to Nose Gear Lower End Assembly section. Added new section for Nose Wheel Assembly Without Tire. Updated parts in Main Gear Wheel Assembly. Added items 6 through 29 in Hydraulic Pump section that were incorrectly deleted in Revision M. Changed Screw AN526C1032R18 to AN526C1032R22 in Fill Valve Assembly section. Changed Relay RH2B-V-24DC to RH2B-UDC24V in Foam System. Updated parts list in Pumper Tube section.	6/28/2024

Please visit [www.wipaire.com](http://www.wipaire.com) for the most current revision of this manual.

THIS PAGE INTENTIONALLY LEFT BLANK



## TABLE OF CONTENTS

FLOAT PART SALES DEPARTMENT OPERATIONS .....	6
INTRODUCTION .....	7
SECTION 1 BULKHEAD ASSEMBLIES .....	9
SECTION 2 FLOAT STRUCTURE .....	51
SECTION 3 LANDING GEAR .....	99
SECTION 4 HYDRAULICS .....	131
SECTION 5 ELECTRICAL .....	161
SECTION 6 SCOOP SYSTEM.....	187
SECTION 7 FOAM SYSTEM .....	205
SECTION 8 CABLING .....	209
SECTION 9 PUMPER TUBE INSTALLATION .....	223

## FLOAT PART SALES DEPARTMENT OPERATIONS

### Parts Sales:

Wipaire, Inc.

1700 Henry Avenue – Fleming Field

South St. Paul, MN 55075

Telephone: (651) 306-0459

Fax: (651)-306-0666

Website: [www.wipaire.com](http://www.wipaire.com)

Email: [customerservice@wipaire.com](mailto:customerservice@wipaire.com)

**Note:** Any information not found in this manual for strut package parts and other installation items refer to the installation drawing package provided with the STC at the time of float installation. Additional drawing copies are available for purchase through the Wipaire Customer Service Department.

### Parts Ordering

Purchase orders should include:

1. Purchase order number
2. Name of person placing order
3. Invoicing information:
  - a. Customer name - company or individual
  - b. Address
  - c. Phone and fax number
4. Shipping information:
  - a. Address (if different from invoice address)
  - b. Method of shipment/preferred carrier
5. Aircraft model, float model, and serial numbers
6. Wipaire part number; name; type, e.g. left or right; quantity
7. Payment method: VISA, Mastercard, C.O.D. (Collect on Delivery) (U.S. customers only), pre-payment by check or wire transfer, open account (see Credit Policy)

## INTRODUCTION

All references in this manual to LEFT and RIGHT are from the perspective of the pilot's seat with the floats fully installed and ready for floatplane operation.

The following is a list of abbreviations that may appear in the description nomenclature fields of this manual:

AB	Afterbody	Inbd.	Inboard
Amphib.	Amphibious	Lg.	Large
AR	As Required	Lt.	Left
Assy.	Assembly	Lwr.	Lower
Brkt.	Bracket	Opt.	Optional
Btm.	Bottom	Otbd.	Outboard
Bulk.	Bulkhead	Reinf.	Reinforcement
Ctr.	Center	Rr.	Rear
Cyl.	Cylinder	Rt.	Right
Ft.	Front	Sm.	Small
Ftg.	Fitting	SN	Serial Number
Fus.	Fuselage	Spr.	Spreader
Fwd	Forward	Upr.	Upper
Horiz.	Horizontal	Vert.	Vertical
Hyd.	Hydraulic	W.W.	Wheel Well

## USING THIS PARTS MANUAL

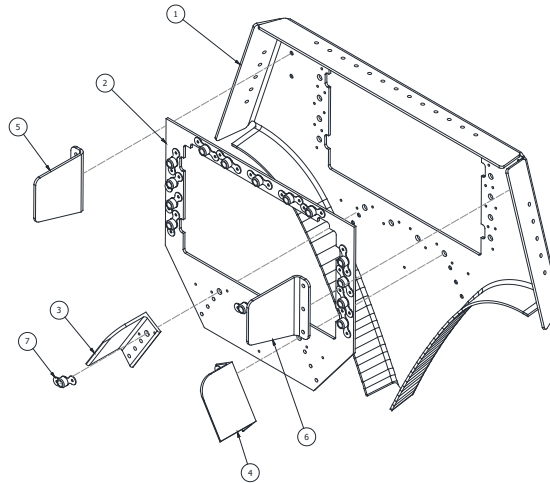
### COVERAGE

This parts manual shows components below the top deck, struts and other components above the top deck, the hydraulic handle in the aircraft, and the hydraulic pumps located in the aircraft.

Name of main part in the section. Example: This part is showing the components made up in Bulkhead #1.

### BULKHEAD #1

Main part image. If the image has numbers associated with it, then those numbers are item numbers shown in the table below.



Items with a (-) instead of a number represent the main part as an assembly. Other parts represent the parts included in the assembly.

ITEM	QTY	PART NO.	PART DESCRIPTION
-	1	1008815	ASSEMBLY BULKHEAD #1, 10000
1	1	1008797	PANEL, BULKHEAD #1
2	1	13A01156-085	DOUBLER #1 BULKHEAD
3	1	13A01357-049	CLEAT, SISTER KEEL ATTACH #1 BULKHEAD
4	1	13A01357-050	CLEAT, SISTER KEEL ATTACH #1 BULKHEAD
5	1	6A01156-054	ANGLE – TOP RAIL
6	1	6A01156-055	ANGLE – TOP RAIL
7	17	MS21047L4	NUT PLATE, SELF LOCKING

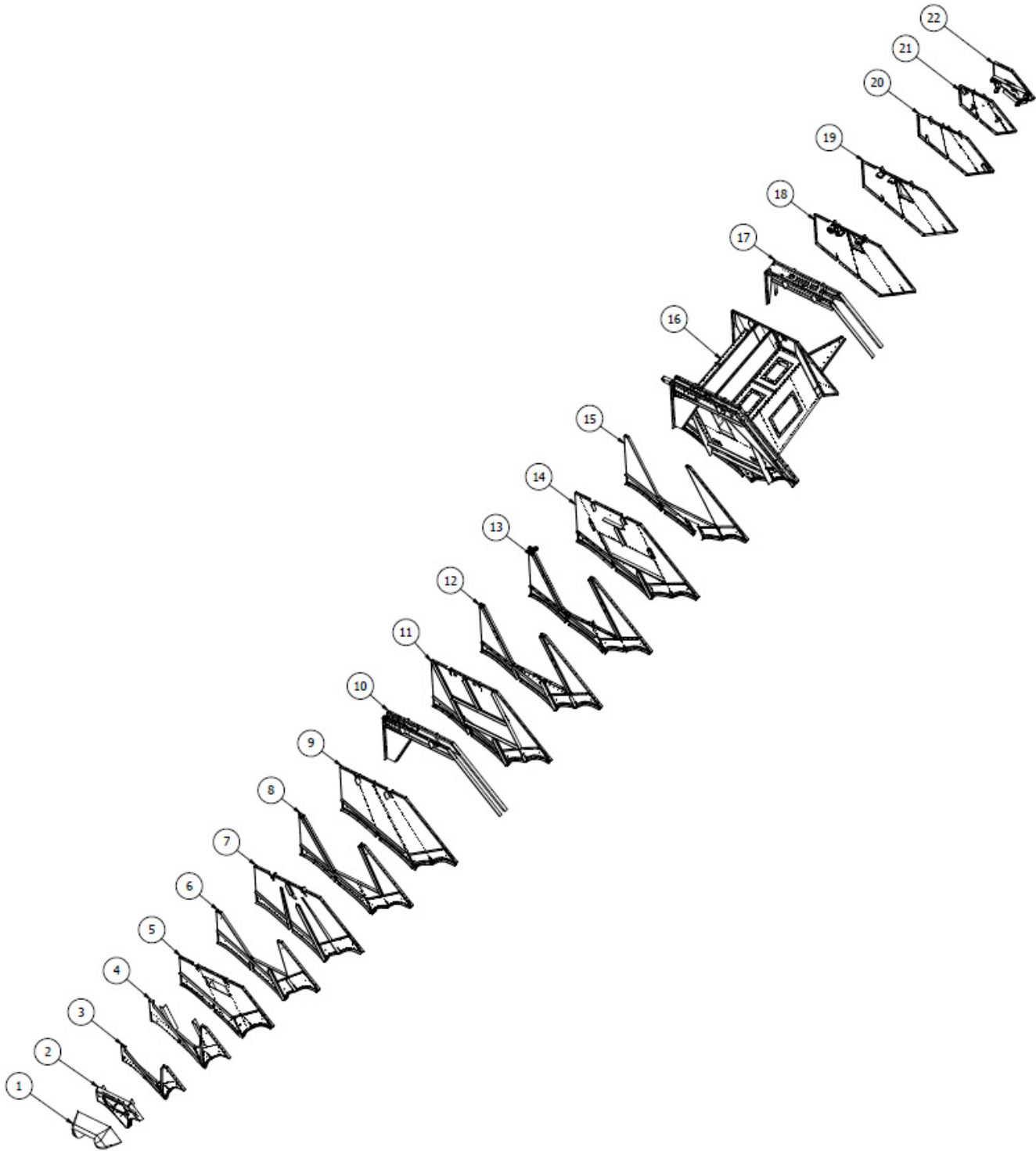
To order an individual part, order the part number associated with item number.

## SECTION 1 BULKHEAD ASSEMBLIES

### CONTENTS

HULL ASSEMBLY - BULKHEADS LEFT AND RIGHT FLOATS.....	10
10000A FAST BUILD BULKHEAD PART CONVERSIONS FLOAT SERIAL NUMBERS .....	12
NOSE BUMPER.....	13
BULKHEAD #1 .....	14
BULKHEAD #2 .....	15
BULKHEAD #3 .....	16
BULKHEAD #4 .....	17
BULKHEAD #5 .....	18
BULKHEAD #6 .....	19
BULKHEAD #7 .....	20
BULKHEAD #8 .....	21
BULKHEAD #9 .....	23
BULKHEAD #10 .....	25
BULKHEAD #12 .....	27
BULKHEAD #14 .....	29
BULKHEAD #15 .....	31
BULKHEAD #16 LEFT FLOAT .....	32
BULKHEAD #16 RIGHT FLOAT .....	35
BULKHEAD #17 .....	38
WHEEL WELL RIGHT FLOAT .....	39
WHEEL WELL LEFT FLOAT .....	41
BULKHEAD #18 RIGHT FLOAT .....	43
BULKHEAD #18 LEFT FLOAT .....	44
BULKHEAD #19 RIGHT FLOAT .....	45
BULKHEAD #19 LEFT FLOAT .....	46
BULKHEAD #20 .....	47
BULKHEAD #21 .....	48
BULKHEAD #22 .....	49

## HULL ASSEMBLY - BULKHEADS LEFT AND RIGHT FLOATS



PARTS MANUAL  
 10000 AMPHIBIAN FLOATS ON AT-802 & AT-802A - FIRE BOSS CONVERSION

ITEM	QTY	PART NO.	PART DESCRIPTION
1	1	13A01733-001	NOSE BUMPER
2	1	1008815	ASSEMBLY, BULKHEAD 1, 10000
3	1	1008816	ASSEMBLY, BULKHEAD 2, 10000
4	1	1008819	ASSEMBLY, BULKHEAD 3, 10000
5	1	1007902	ASSEMBLY, BULKHEAD 4, 10000
6	1	1007920	ASSEMBLY, BULKHEAD 5, 10000
7	1	1007921	ASSEMBLY, BULKHEAD 6, 10000
8	1	1007922	ASSEMBLY, BULKHEAD 7, 10000
9	1	1011481	ASSEMBLY, BULKHEAD 8, 10000
10	1	10A01000-445	ASSEMBLY, FWD SUPER PANEL
11	1	1011469	ASSEMBLY, BULKHEAD 9, 10000
12	1	1011460	ASSEMBLY, BULKHEAD 10, 10000
13	1	1011450	ASSEMBLY, BULKHEAD 12, 10000
14	1	1011389	ASSEMBLY, BULKHEAD 14, 10000
15	1	1011371	ASSEMBLY, BULKHEAD 15, 10000
16 LT	1	1011705	ASSEMBLY, WHEEL WELL, LEFT FLOAT, 10000
16 RT	1	1011706	ASSEMBLY, WHEEL WELL, RIGHT FLOAT, 10000
17	1	1012080	ASSEMBLY, DRAG STRUT, ATTACH, 10000
18 LT	1	1001071	BULKHEAD ASSEMBLY #18, LEFT
18 RT	1	1001072	BULKHEAD ASSEMBLY #18, RIGHT
19	1	1001453	ASSEMBLY, BULKHEAD #19
20	1	10A01000-411	BULKHEAD ASSEMBLY #20
21	1	10A01000-412	BULKHEAD ASSEMBLY #21
22	1	1002681	ASSEMBLY, BULKHEAD, #22

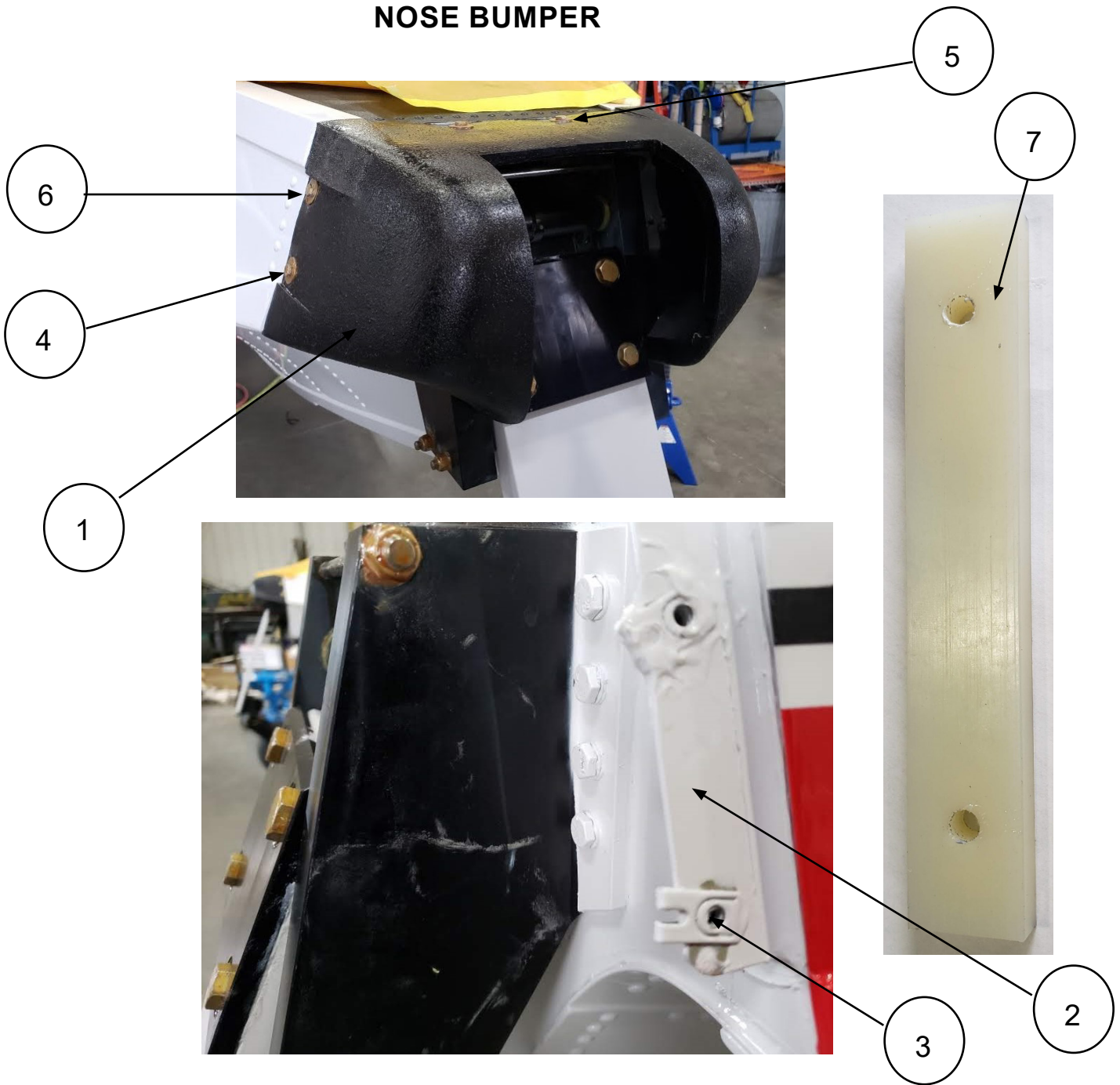
For float serial numbers 10268A and prior, see 10000 Fast Build Bulkhead Part Conversions on next page.

## 10000A FAST BUILD BULKHEAD PART CONVERSIONS FLOAT SERIAL NUMBERS

DESCRIPTION	CURRENT P/N - S/N 10269A & LATER	OLD P/N - S/N 10167A THROUGH 10268A	OLD P/N - S/N 10166A AND PRIOR
ASSEMBLY BULKHEAD #1	1008815	1008815	13A01000-185
ASSEMBLY BULKHEAD #2	1008816	1008816	13A01000-186
ASSEMBLY BULKHEAD #3	1008819	1008819	13A01000-187
ASSEMBLY BULKHEAD #4	1007902	1007902	13A01000-188
ASSEMBLY BULKHEAD #5	1007920	1007920	13A01000-189
ASSEMBLY BULKHEAD #6	1007921	1007921	10A01000-422
ASSEMBLY BULKHEAD #7	1007922	1007922	13A01000-191
ASSEMBLY BULKHEAD #8	1011481	1007923	10A01000-417
ASSEMBLY BULKHEAD #9	1011469	1007924	10A01000-418
ASSEMBLY BULKHEAD #10	1011460	1007925	13A01000-194
ASSEMBLY BULKHEAD #12	1011450	1007926	13A01000-196
ASSEMBLY BULKHEAD #14	1011389	1007927	13A01000-197
ASSEMBLY BULKHEAD #15	1011371	10A01000-431	10A01000-431
ASSEMBLY BULKHEAD #16 LT.	1011503	1007957	10A01000-433
ASSEMBLY BULKHEAD #16 RT.	1011504	1007958	10A01000-432
ASSEMBLY BULKHEAD #17	1007936	1007936	10A01000-435
ASSEMBLY BULKHEAD #18 RT.	1001072	1001072	1001072
ASSEMBLY BULKHEAD #18 LT.	1001071	1001071	1001071
ASSEMBLY BULKHEAD #19 RT.	1001454	1001454	1001454
ASSEMBLY BULKHEAD #19 LT.	1001453	1001453	1001453
ASSEMBLY BULKHEAD #20	10A01000-411	10A01000-411	10A01000-411
ASSEMBLY BULKHEAD #21	10A01000-412	10A01000-412	10A01000-412
ASSEMBLY BULKHEAD #22	1002681	1002681	1002681

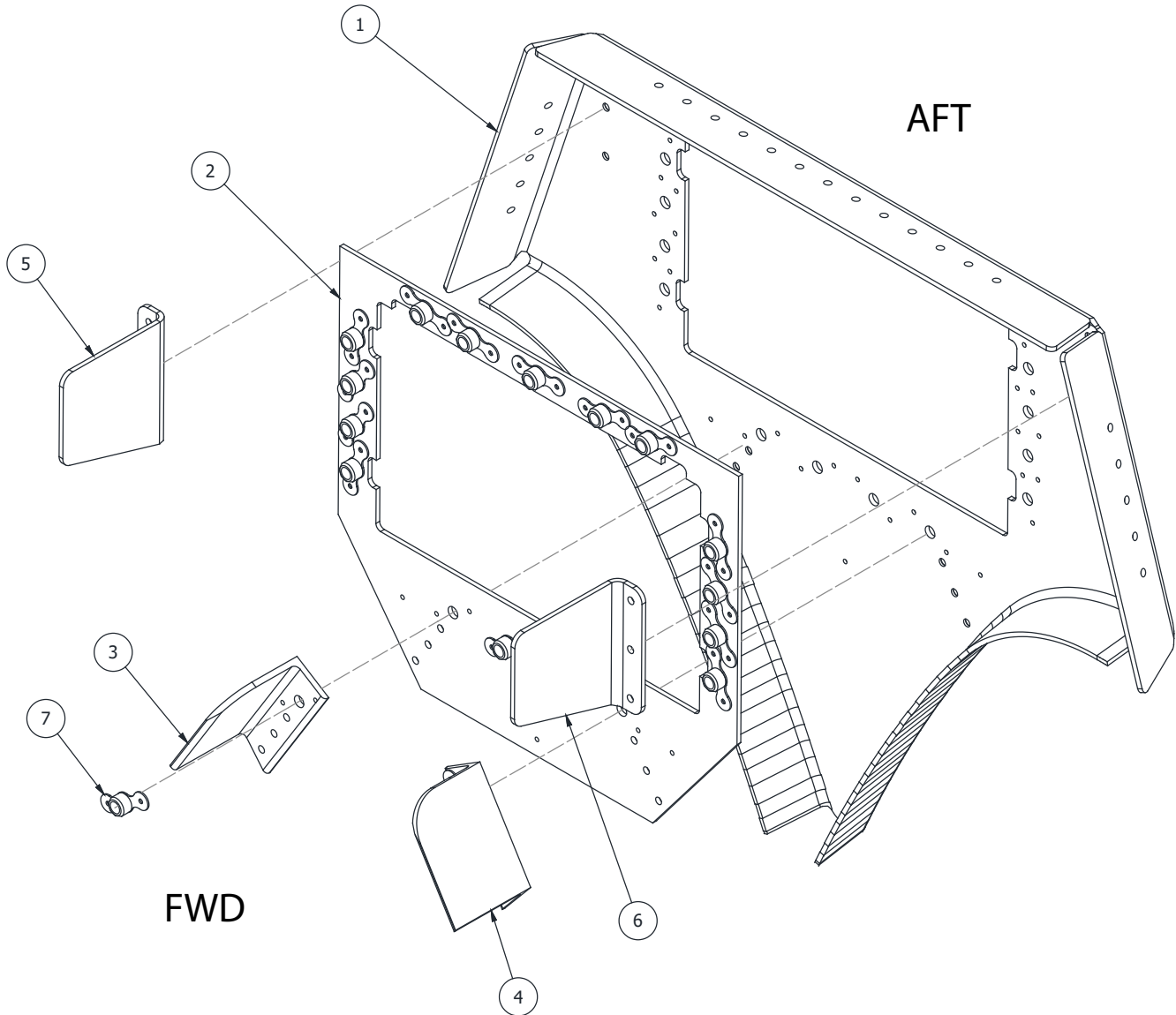


### NOSE BUMPER



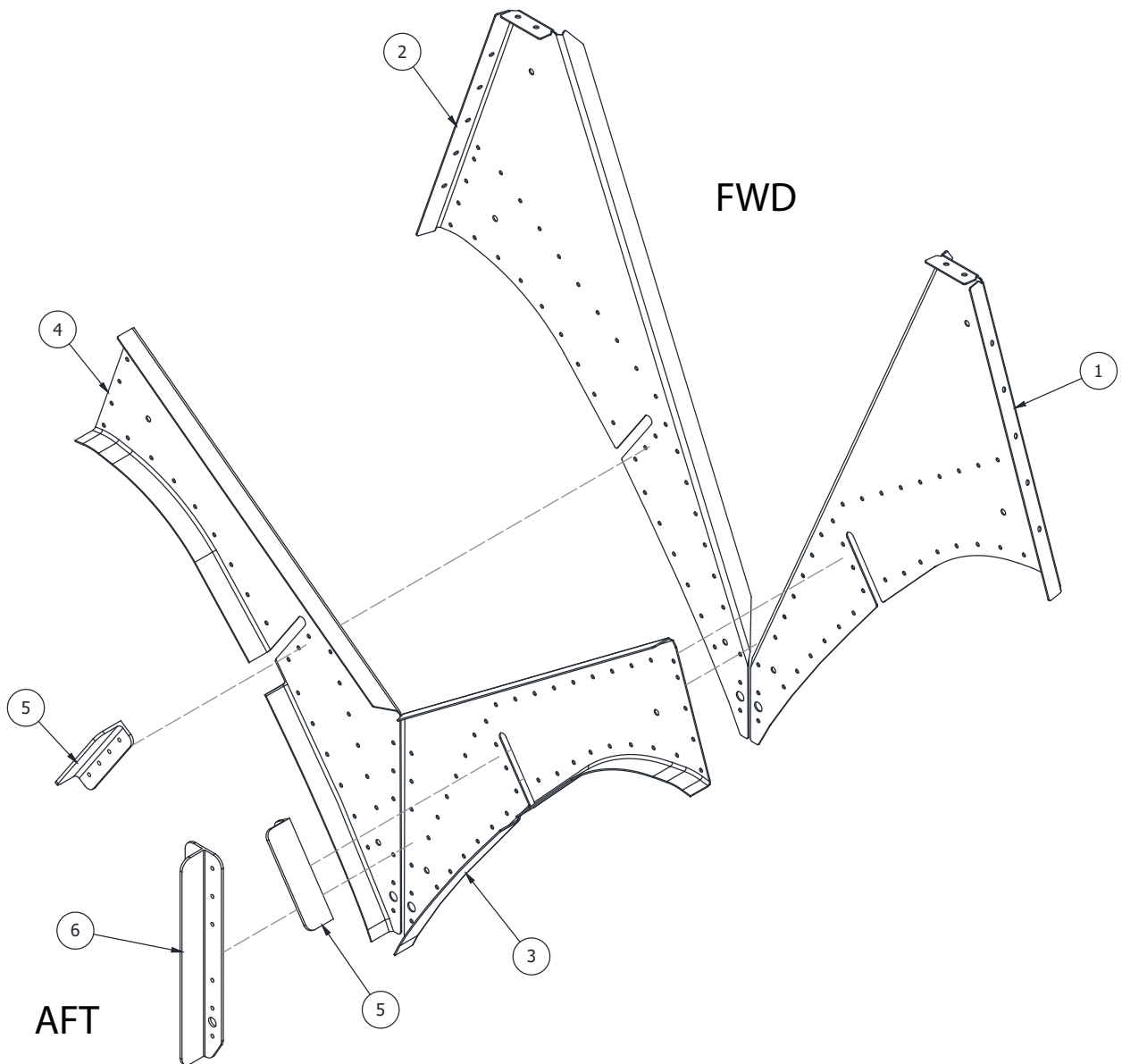
ITEM	QTY	PART NO.	PART DESCRIPTION
1	1	13A01733-001	NOSE BUMPER
2	2	6A01359-051	ANGLE, NOSE BUMPER ATTACH
3	4	CN130120	NUT, CLIP, ASSEMBLY, 13/16" DIA / 10-32 THREAD
4	4	AN3-7A	BOLT, SIZE 10-32, LENGTH +/- 1/64 - 29/32, GRIP LENGTH 1/2
5	2	AN3-12A	BOLT, 10-32 THREAD, 7/8" GRIP, 1-9/32" LENGTH
6	6	AN970-3	WASHER, .203 ID, .875 OD, .063 THK
7	1	1008285	SPACER, NOSE BUMPER, 10000

### BULKHEAD #1



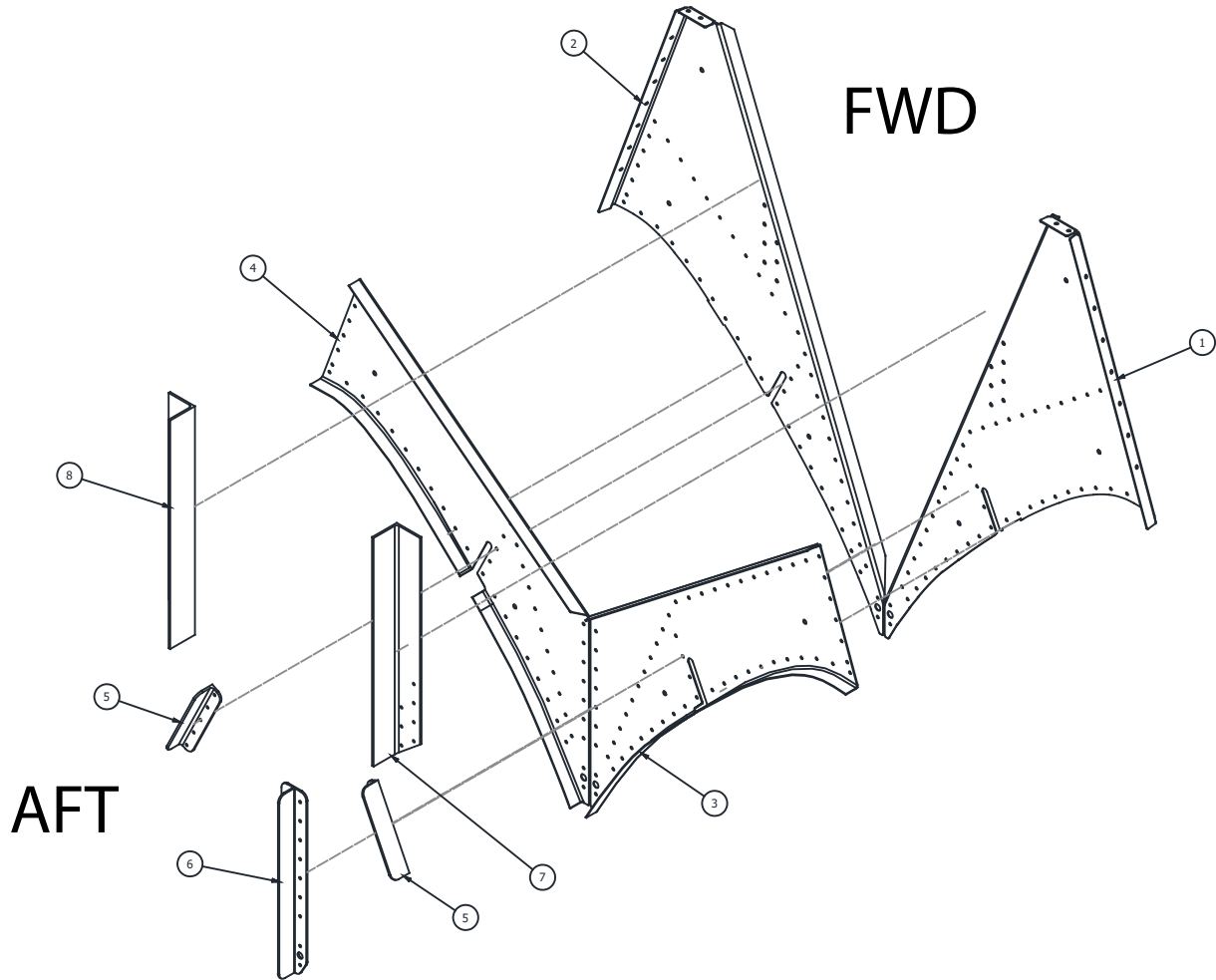
ITEM	QTY	PART NO.	PART DESCRIPTION
-	1	1008815	ASSEMBLY BULKHEAD #1, 10000
1	1	1008797	PANEL, BULKHEAD #1
2	1	13A01156-085	DOUBLER #1 BULKHEAD
3	1	13A01357-049	CLEAT, SISTER KEEL ATTACH #1 BULKHEAD
4	1	13A01357-050	CLEAT, SISTER KEEL ATTACH #1 BULKHEAD
5	1	6A01156-054	ANGLE - TOP RAIL
6	1	6A01156-055	ANGLE - TOP RAIL
7	17	MS21047L4	NUT PLATE, SELF LOCKING

### BULKHEAD #2



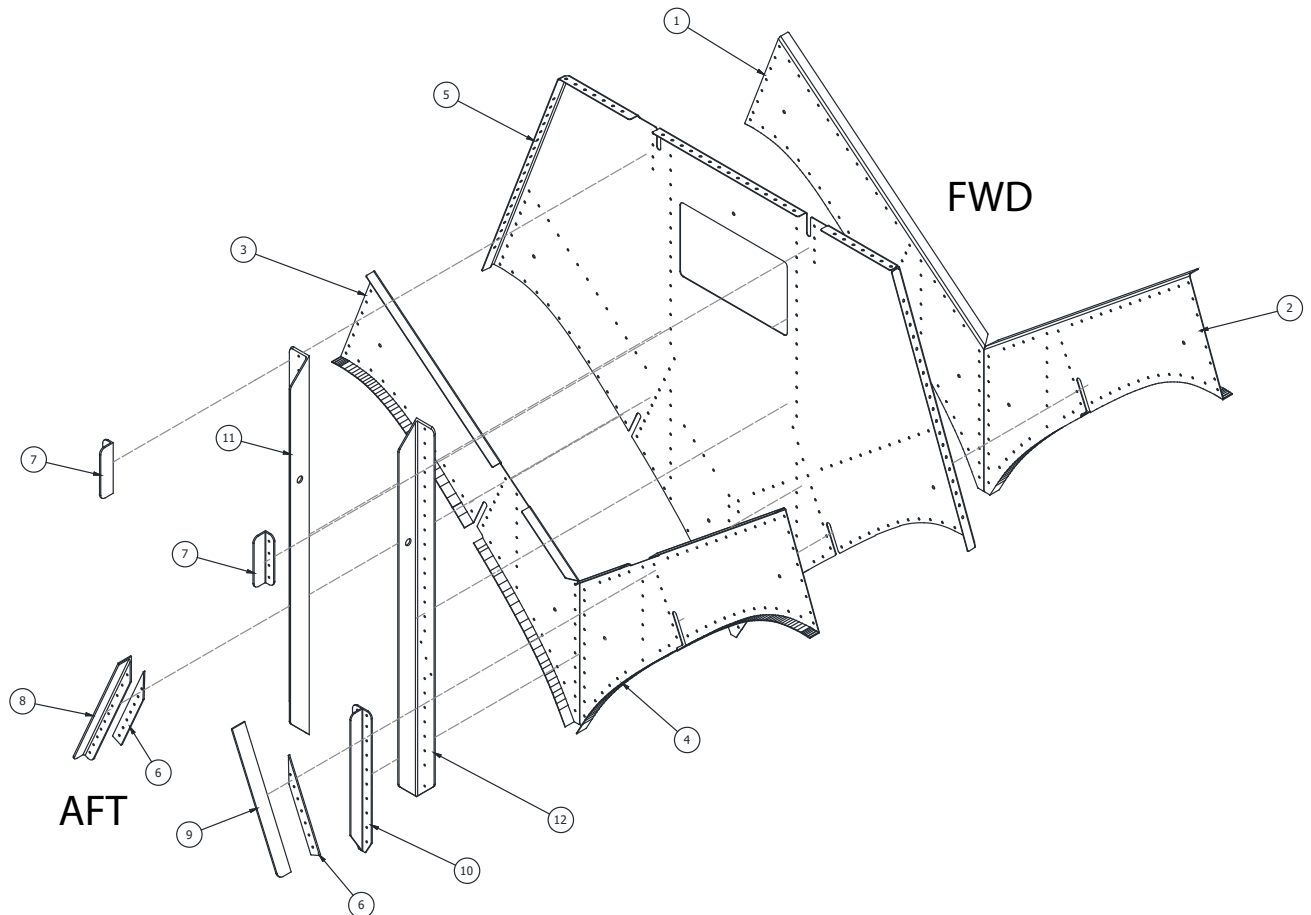
ITEM	QTY	PART NO.	PART DESCRIPTION
-	1	1008816	ASSEMBLY BULKHEAD #2, 10000
1	1	1008813	PANEL, SIDE, RH, BULKHEAD 2
2	1	1008814	PANEL, SIDE, LH, BULKHEAD 2
3	1	13A01150-002	FLUTE, BULKHEAD, #2, RT
4	1	13A01150-003	FLUTE, BULKHEAD, #2, LT
5	2	13A01359-127	ANGLE, BULKHEAD #2, SISTER KEEL ATTACH
6	1	13A01381-002	STIFFENER, BULKHEAD #2, CENTER

**BULKHEAD #3**



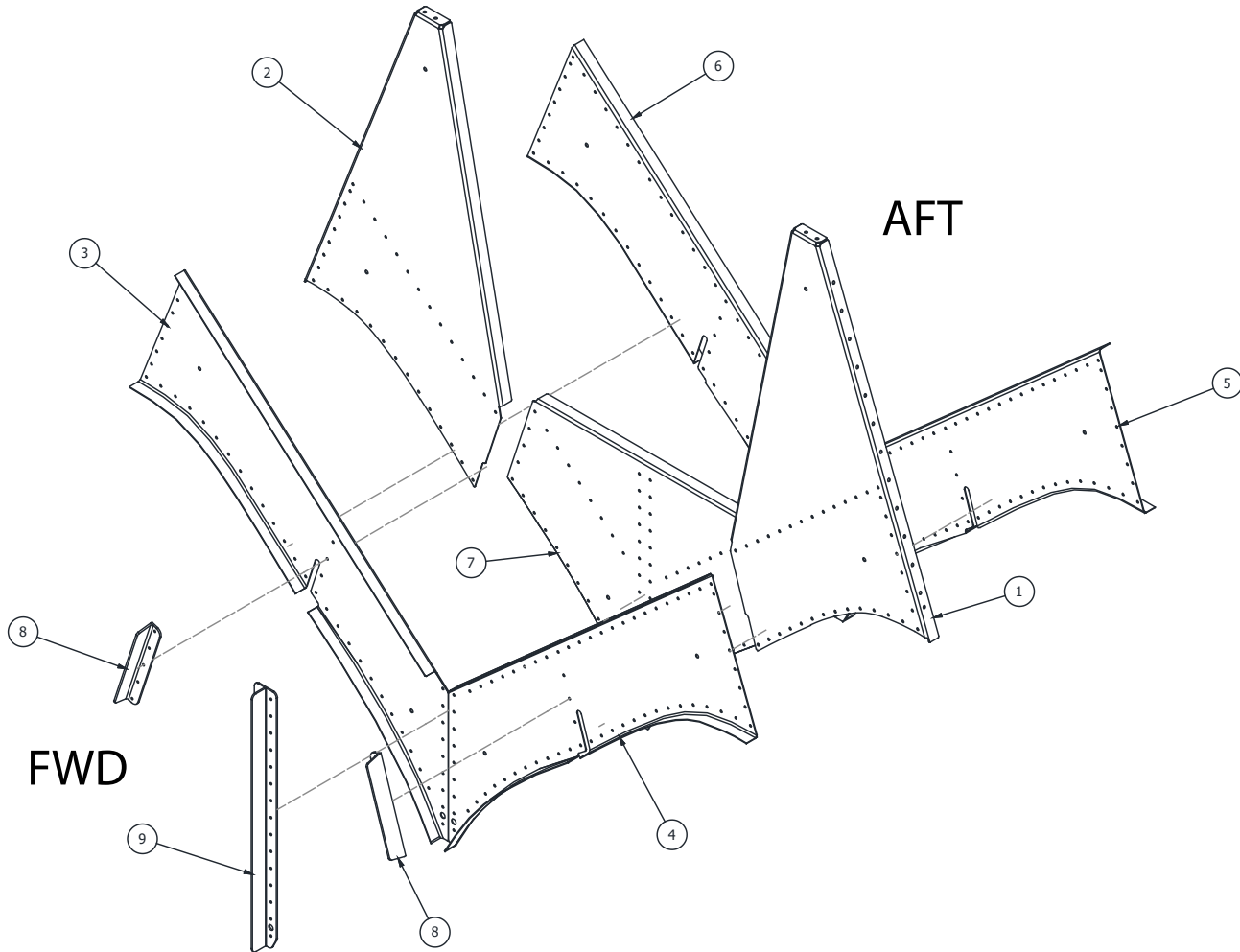
ITEM	QTY	PART NO.	PART DESCRIPTION
-	1	1008819	ASSEMBLY BULKHEAD #3, 10000
1	1	1008817	PANEL, SIDE, RH, BULKHEAD 3
2	1	1008818	PANEL, SIDE, LH, BULKHEAD 3
3	1	13A01150-004	FLUTE, BULKHEAD #3, RT
4	1	13A01150-005	FLUTE, BULKHEAD #3, LT
5	2	13A01359-128	ANGLE, BULKHEAD #3, SISTER KEEL ATTACH
6	1	13A01381-003	T ANGLE, BULKHEAD #3, LT
7	1	13A01382-004	ANGLE, BULKHEAD #3, VERTICLE STIFFENER RT.
8	1	13A01382-005	ANGLE, BULKHEAD #3, VERTICLE STIFFENER LT.

### BULKHEAD #4



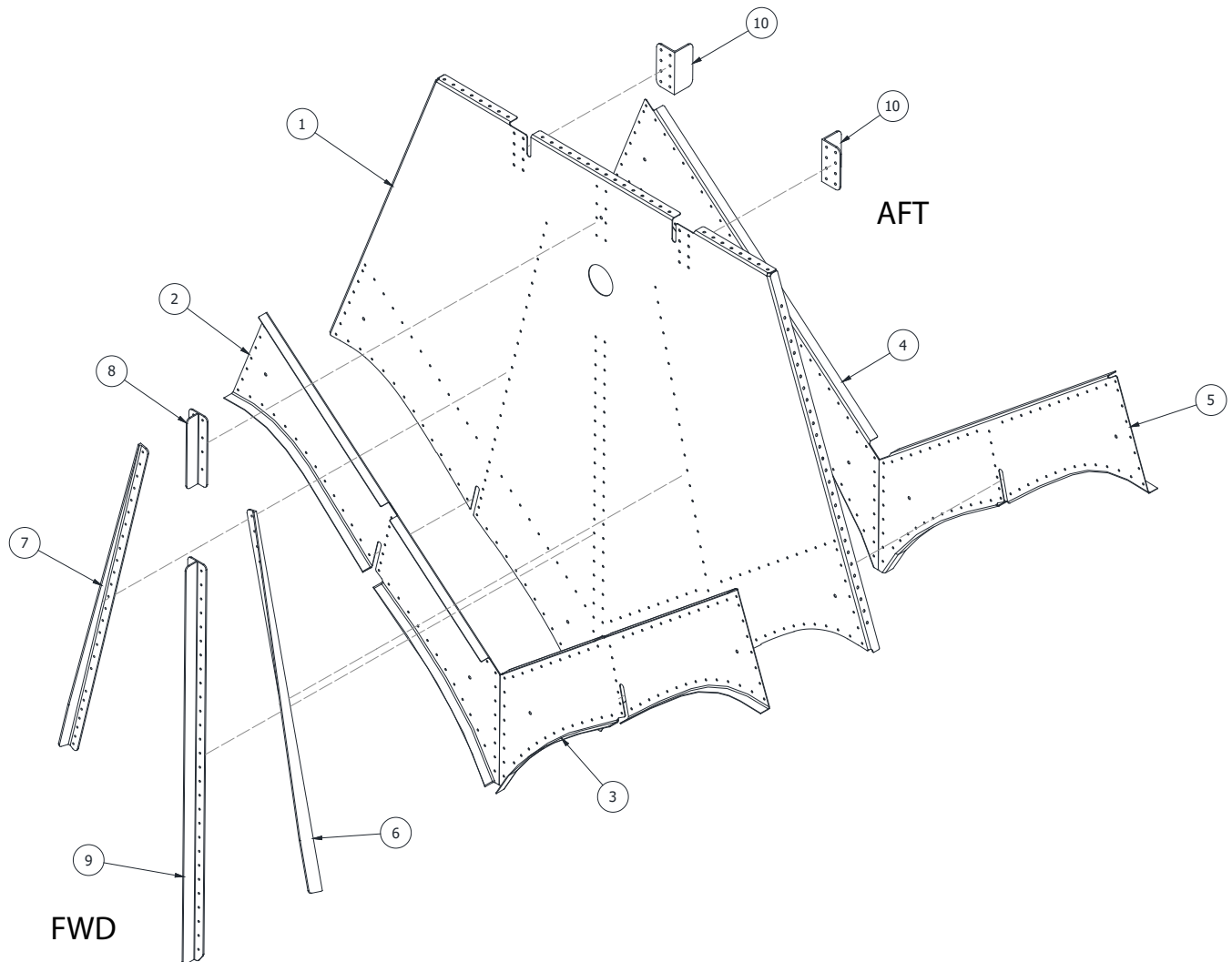
ITEM	QTY	PART NO.	PART DESCRIPTION
-	1	1007902	ASSEMBLY BULKHEAD #4, 10000
1	1	1001305	FLUTE, BULKHEAD #4, FWD LT
2	1	1001306	FLUTE, BULKHEAD #4, FWD RT
3	1	1001308	FLUTE, BULKHEAD #4, AFT LT
4	1	1001309	FLUTE, BULKHEAD #4, AFT RT
5	1	1007901	PANEL, BULKHEAD 4
6	2	13A01157-005	SPACER, BULKHEAD
7	2	13A01359-124	ANGLE, TOP RAIL ATTACH
8	1	13A01359-125	ANGLE, BULKHEAD #4, SISTER KEEL ATTACH, LT
9	1	13A01359-126	ANGLE, BULKHEAD #4, SISTER KEEL ATTACH, RT
10	1	13A01381-001	T ANGLE, BULKHEAD #4, KEEL ATTACH
11	1	13A01382-001	ANGLE, BULKHEAD #4, NOSE BOX COVER ATTACH, LT
12	1	13A01382-002	ANGLE, BULKHEAD #4, NOSE BOX COVER ATTACH, RT

### BULKHEAD #5



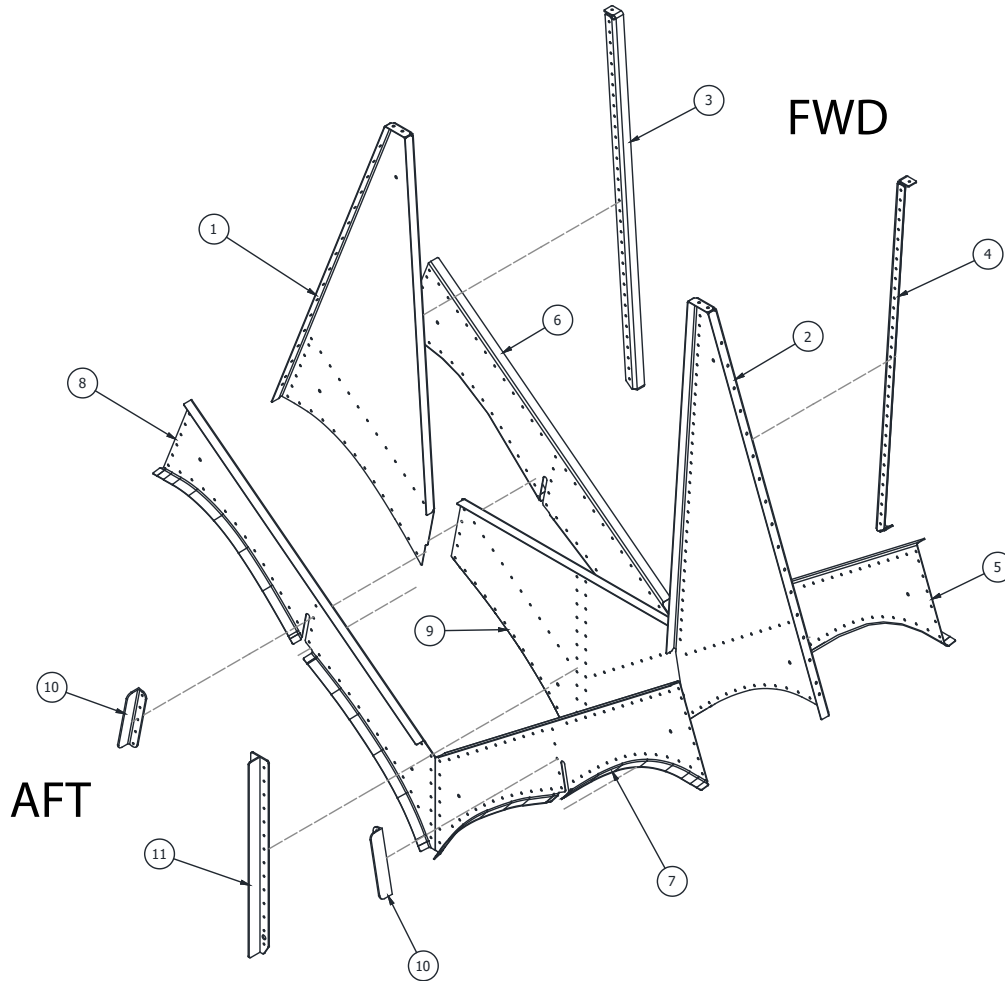
ITEM	QTY	PART NO.	PART DESCRIPTION
-	1	1007920	ASSEMBLY BULKHEAD #5, 10000
1	1	1007903	PANEL, SIDE, LH, BULKHEAD 5
2	1	1007904	PANEL, SIDE, RH, BULKHEAD 5
3	1	13A01150-010	FLUTE, BULKHEAD 5, FWD, RIGHT
4	1	13A01150-011	FLUTE, BULKHEAD 5, FWD, LEFT
5	1	13A01150-012	FLUTE, BULKHEAD 5, AFT, RIGHT
6	1	13A01150-013	FLUTE, BULKHEAD 5, AFT, LEFT
7	1	13A01150-051	MAIN PANEL, BULKHEAD #5
8	1	13A01359-129	ANGLE, BH #5, SISTER KEEL ATTACH
9	1	13A01381-004	STIFFENER, BH #5, CENTER

### BULKHEAD #6



ITEM	QTY	PART NO.	PART DESCRIPTION
-	1	1007921	ASSEMBLY BULKHEAD #6, 10000
1	1	1007905	PANEL, BULKHEAD 6
2	1	13A01150-014	FLUTE, BULKHEAD #6, FWD RT
3	1	13A01150-015	FLUTE, BULKHEAD #6, FWD LT
4	1	13A01150-016	FLUTE, BULKHEAD #6, AFT RT
5	1	13A01150-017	FLUTE, BULKHEAD #6, AFT LT
6	1	13A01359-164	ANGLE, BULKHEAD #6, SISTER KEEL, LT
7	1	13A01359-165	ANGLE, BULKHEAD #6, SISTER KEEL, RT
8	1	13A01381-013	STIFFENER, BULKHEAD #6, CENTER, UPR
9	1	13A01381-014	STIFFENER, BULKHEAD #6, CENTER, LWR
10	2	13A01382-003	CLEAT, TOP DECK RAIL

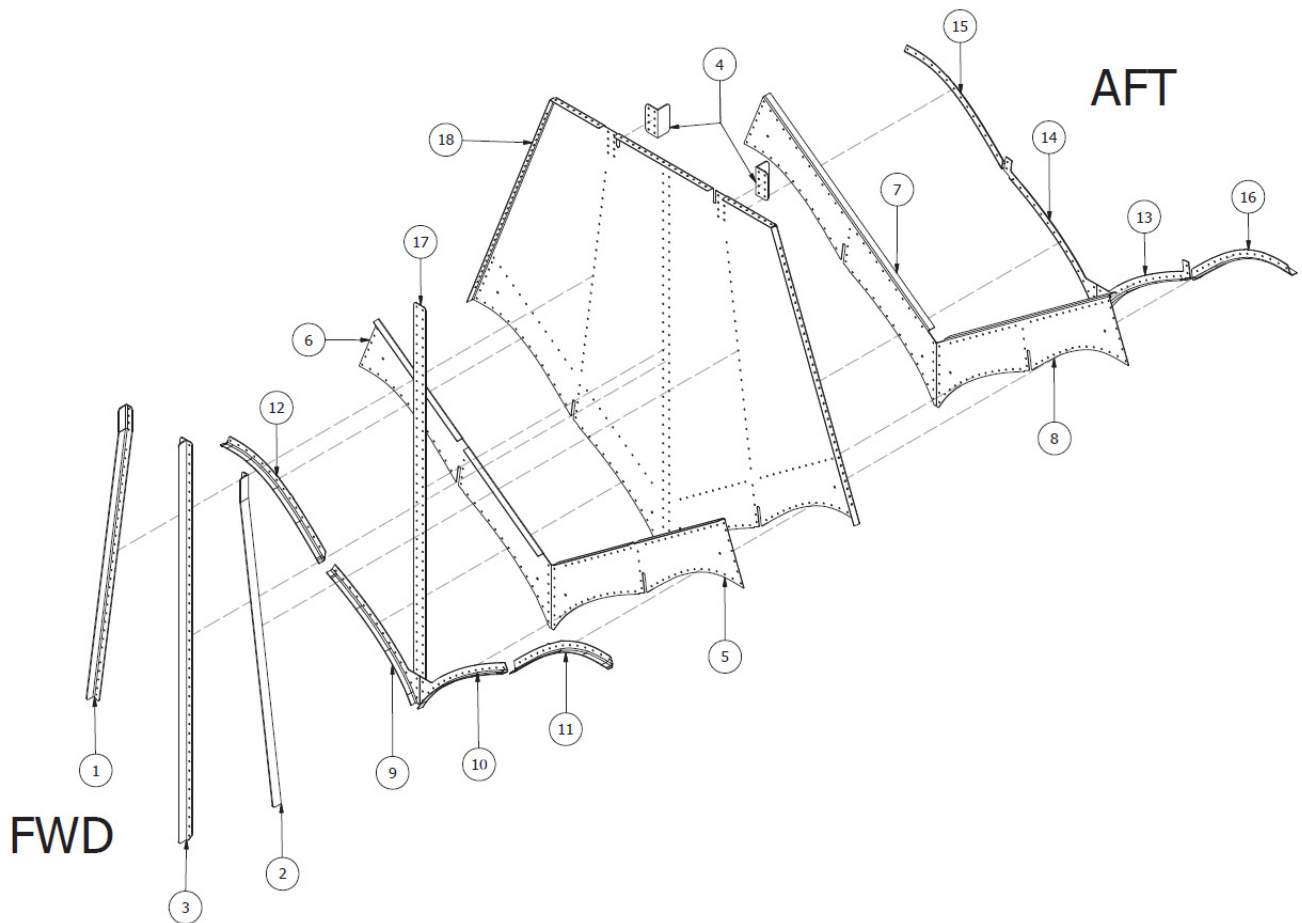
### BULKHEAD #7



ITEM	QTY	PART NO.	PART DESCRIPTION
-	1	1007922	ASSEMBLY BULKHEAD #7, 10000
1	1	1007907	PANEL, SIDE, LH, BULKHEAD 7
2	1	1007908	PANEL, SIDE, RH, BULKHEAD 7
3	1	1009157	STIFFENER, PANEL, LH, BH 7, 10000
4	1	1009158	STIFFENER, PANEL, RH, BH 7, 10000
5	1	13A01150-018	FLUTE, BH #7, FWD RT
6	1	13A01150-019	FLUTE, BH #7, FWD LT
7	1	13A01150-020	FLUTE, BH #7, AFT RT
8	1	13A01150-021	FLUTE, BH #7, AFT LT
9	1	13A01150-055	MAIN PANEL, BH #7
10	2	13A01359-130	ANGLE, BH #7, SISTER KEEL ATTACH
11	1	13A01381-008	STIFFENER, CENTER, BH #7, 10, 12, 13, & 15



### BULKHEAD #8



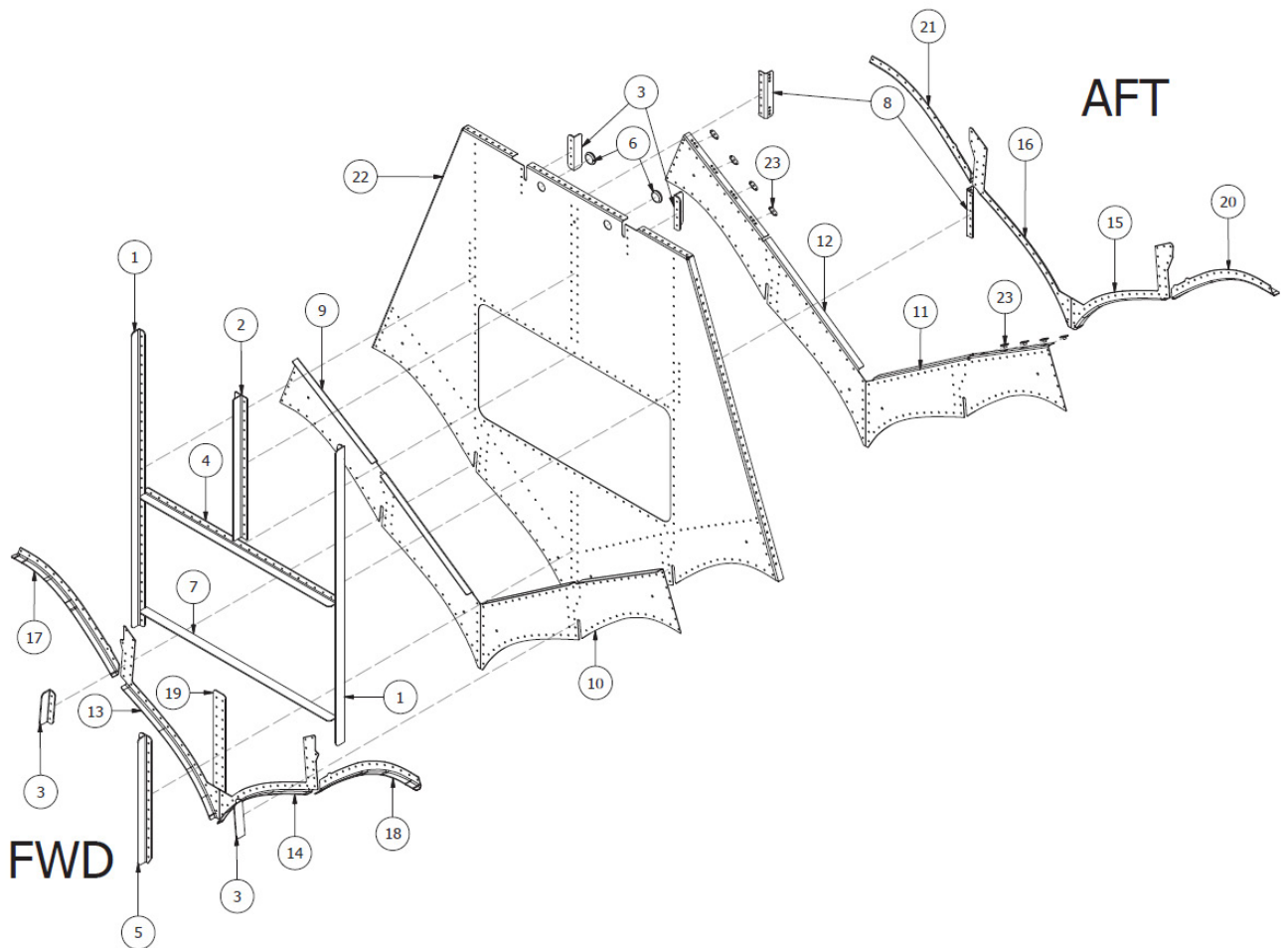
ITEM	QTY	PART NO.	PART DESCRIPTION
-	1	1011481	ASSEMBLY, BULKHEAD #8, 10000
1	1	10A01359-241	ANGLE, BH #8, SISTER KEEL, RH
2	1	10A01359-242	ANGLE, BH #8, SISTER KEEL, LH
3	1	10A01381-017	ANGLE, BH #8, CENTER
4	2	13A01382-003	CLEAT, TOP DECK RAIL
5	1	1011482	PANEL, FLUTE, 10000
6	1	1011483	PANEL, FLUTE, 10000
7	1	1011484	PANEL, FLUTE, 10000
8	1	1011485	PANEL, FLUTE, 10000
9	1	1011486	FLANGE, FLUTE, SUPPORT, BULKHEAD, 10000
10	1	1011487	FLANGE, FLUTE, SUPPORT, BULKHEAD, 10000
11	1	1011488	FLANGE, FLUTE, SUPPORT, BULKHEAD, 10000
12	1	1011489	FLANGE, FLUTE, SUPPORT, BULKHEAD, 10000
13	1	1011490	FLANGE, FLUTE, SUPPORT, BULKHEAD, 10000
14	1	1011491	FLANGE, FLUTE, SUPPORT, BULKHEAD, 10000
15	1	1011492	FLANGE, FLUTE, SUPPORT, BULKHEAD, 10000

PARTS MANUAL

10000 AMPHIBIAN FLOATS ON AT-802 & AT-802A - FIRE BOSS CONVERSION

<b>ITEM</b>	<b>QTY</b>	<b>PART NO.</b>	<b>PART DESCRIPTION</b>
16	1	1011493	FLANGE, FLUTE, SUPPORT, BULKHEAD, 10000
17	1	1011495	SPACER, STIFFENING ANGLE
18	1	1011689	PANEL, BULKHEAD 8

### BULKHEAD #9



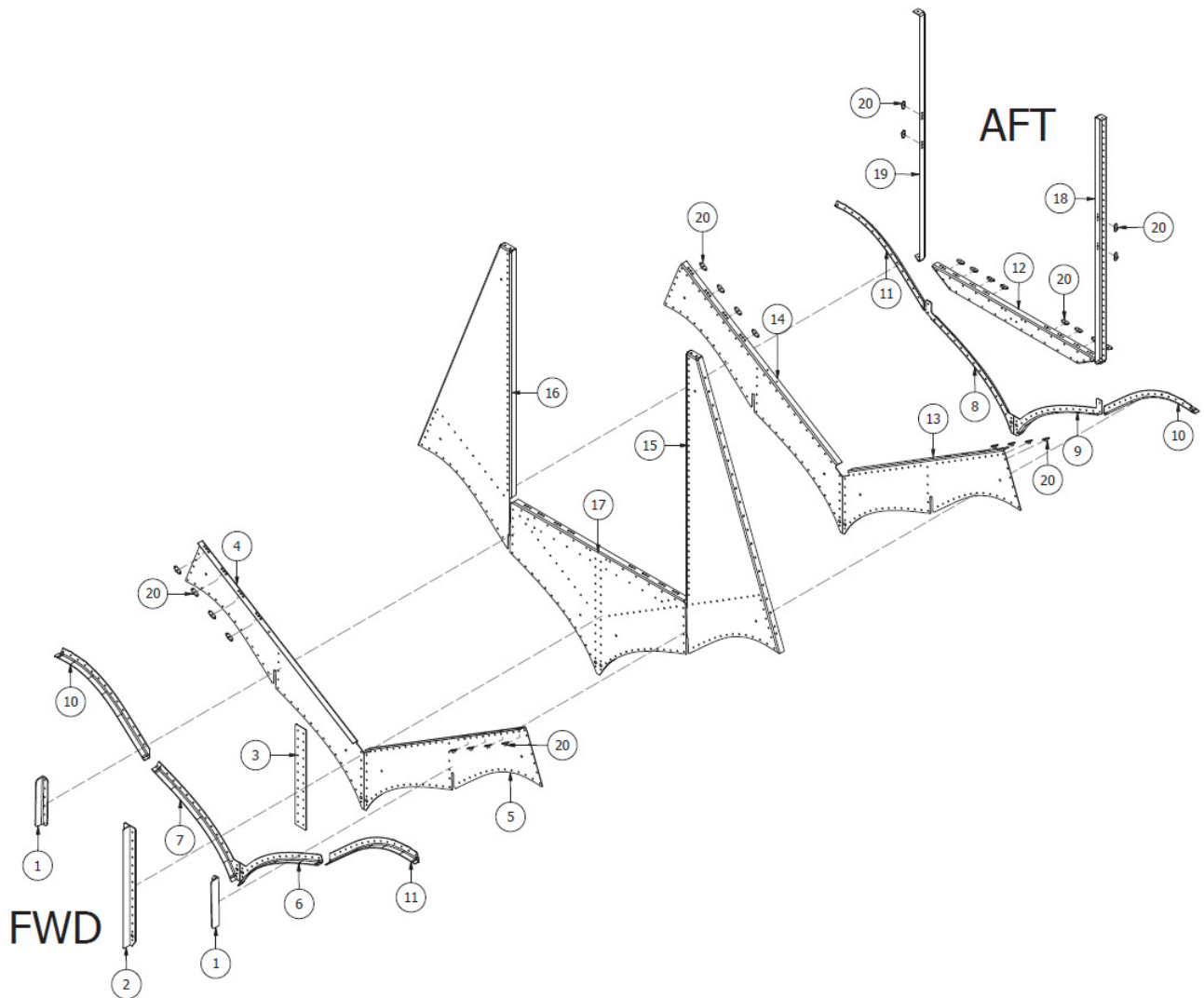
ITEM	QTY	PART NO.	PART DESCRIPTION
-	1	1011469	ASSEMBLY, BULKHEAD #9, 10000
1	2	10A01359-240	ANGLE, BH #9, SIDE STIFFENER
2	1	10A01381-016	STIFFENER, BH #9, TOP
3	4	13A01359-124	ANGLE, TOP RAIL ATTACH
4	1	13A01359-134	ANGLE, COVER REINFORCEMENT, BULKHEAD 14
5	1	13A01381-011	STIFFENER, CENTER, BOTTOM, BH 9 & 14
6	2	9600K517	PLUG
7	1	1007955	ANGLE, COVER REINFORCEMENT, BULKHEAD 9, 14
8	2	1009820	ASSEMBLY, ANGLE, SUPPORT, BACK STOP, 10000
9	1	1011470	PANEL, FLUTE, 10000
10	1	1011471	PANEL, FLUTE, 10000
11	1	1011472	PANEL, FLUTE, 10000
12	1	1011473	PANEL, FLUTE, 10000
13	1	1011474	FLANGE, FLUTE, SUPPORT, BULKHEAD, 10000

PARTS MANUAL

10000 AMPHIBIAN FLOATS ON AT-802 & AT-802A - FIRE BOSS CONVERSION

ITEM	QTY	PART NO.	PART DESCRIPTION
14	1	1011475	FLANGE, FLUTE, SUPPORT, BULKHEAD, 10000
15	1	1011476	FLANGE, FLUTE, SUPPORT, BULKHEAD, 10000
16	1	1011477	FLANGE, FLUTE, SUPPORT, BULKHEAD, 10000
17	1	1011478	FLANGE, FLUTE, SUPPORT, BULKHEAD, 10000
18	1	1011479	FLANGE, FLUTE, SUPPORT, BULKHEAD, 10000
19	1	1011480	SPACER, STIFFENING ANGLE
20	1	1011496	FLANGE, FLUTE, SUPPORT, BULKHEAD, 10000
21	1	1011497	FLANGE, FLUTE, SUPPORT, BULKHEAD, 10000
22	1	1011502	PANEL, BULKHEAD 9
23	8	MS21059L08	NUT PLATE

### BULKHEAD #10



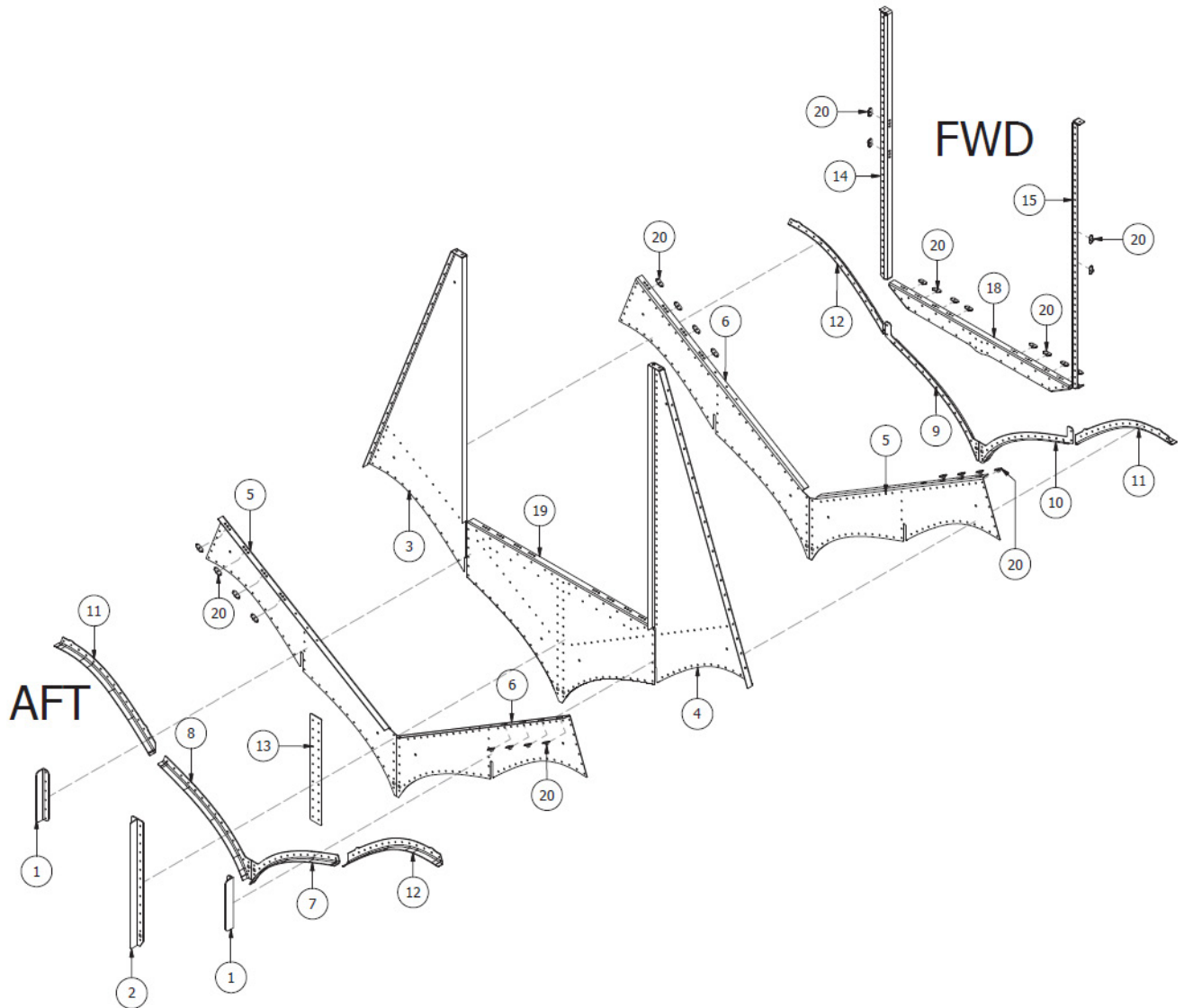
ITEM	QTY	PART NO.	PART DESCRIPTION
-	1	1011460	ASSEMBLY, BULKHEAD #10, 10000
1	2	13A01359-133	ANGLE, SISTER KEEL ATTACH
2	1	13A01381-008	STIFFENER, CENTER, BH #7, 10, 12, 13, & 15
3	1	1011459	SPACER, STIFFENING ANGLE
4	1	1011461	PANEL, FLUTE, 10000
5	1	1011462	PANEL, FLUTE, 10000
6	1	1011463	FLANGE, FLUTE, SUPPORT, BULKHEAD, 10000
7	1	1011464	FLANGE, FLUTE, SUPPORT, BULKHEAD, 10000
8	1	1011465	FLANGE, FLUTE, SUPPORT, BULKHEAD, 10000
9	1	1011466	FLANGE, FLUTE, SUPPORT, BULKHEAD, 10000
10	2	1011467	FLANGE, FLUTE, SUPPORT, BULKHEAD, 10000
11	2	1011468	FLANGE, FLUTE, SUPPORT, BULKHEAD, 10000
12	1	1011505	DOUBLER, BULKHEAD 10, 10000

PARTS MANUAL

10000 AMPHIBIAN FLOATS ON AT-802 & AT-802A - FIRE BOSS CONVERSION

<b>ITEM</b>	<b>QTY</b>	<b>PART NO.</b>	<b>PART DESCRIPTION</b>
13	1	1011507	PANEL, FLUTE, 10000
14	1	1011508	PANEL, FLUTE, 10000
15	1	1011509	PANEL, SIDE, LH, BULKHEAD 10
16	1	1011510	PANEL, SIDE, RH, BULKHEAD 10
17	1	1011519	CENTER PANEL, BH 10
18	1	1011520	ANGLE, STIFFENER
19	1	1011521	ANGLE, STIFFENER
20	28	MS21059L08	NUT PLATE

### BULKHEAD #12



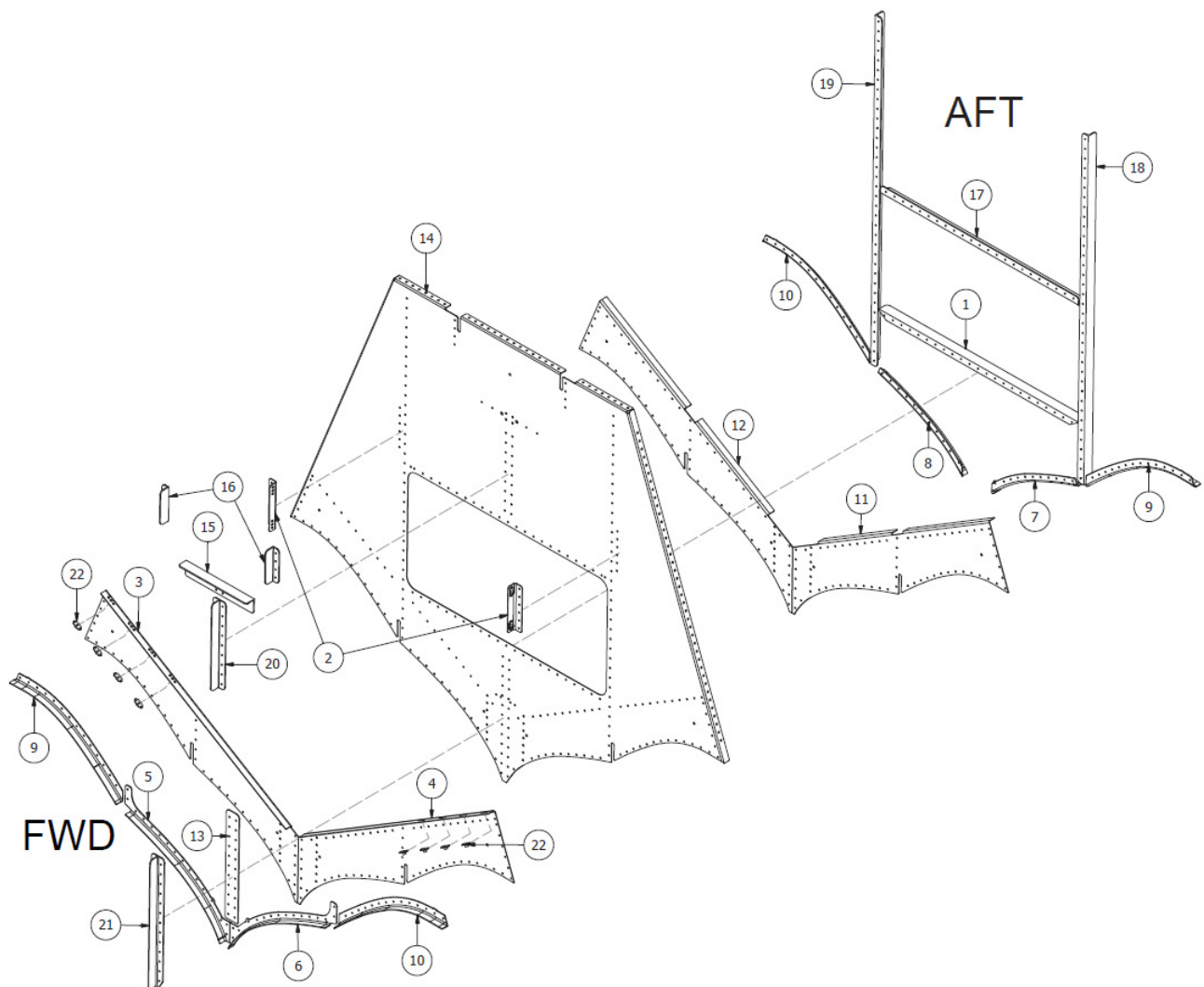
ITEM	QTY	PART NO.	PART DESCRIPTION
-	1	1011450	ASSEMBLY, BULKHEAD #12, 10000
1	2	13A01359-133	ANGLE, SISTER KEEL ATTACH
2	1	13A01381-008	STIFFENER, CENTER, BH #7, 10, 12, 13, & 15
3	1	1007914	PANEL, SIDE, LH, BULKHEAD 12
4	1	1007915	PANEL, SIDE, RH, BULKHEAD 12
5	2	1011451	PANEL, FLUTE, 10000
6	2	1011452	PANEL, FLUTE, 10000
7	1	1011453	FLANGE, FLUTE, SUPPORT, BULKHEAD, 10000
8	1	1011454	FLANGE, FLUTE, SUPPORT, BULKHEAD, 10000
9	1	1011455	FLANGE, FLUTE, SUPPORT, BULKHEAD, 10000
10	1	1011456	FLANGE, FLUTE, SUPPORT, BULKHEAD, 10000

PARTS MANUAL  
10000 AMPHIBIAN FLOATS ON AT-802 & AT-802A - FIRE BOSS CONVERSION

<b>ITEM</b>	<b>QTY</b>	<b>PART NO.</b>	<b>PART DESCRIPTION</b>
11	2	1011457	FLANGE, FLUTE, SUPPORT, BULKHEAD, 10000
12	2	1011458	FLANGE, FLUTE, SUPPORT, BULKHEAD, 10000
13	1	1011459	SPACER, STIFFENING ANGLE
14	1	1011530	ANGLE, STIFFENER
15	1	1011531	ANGLE, STIFFENER
18	1	1011534	ANGLE, DOUBLER, BULKHEAD
19	1	1011536	PANEL, CENTER
20	28	MS21059L08	NUT PLATE



### BULKHEAD #14

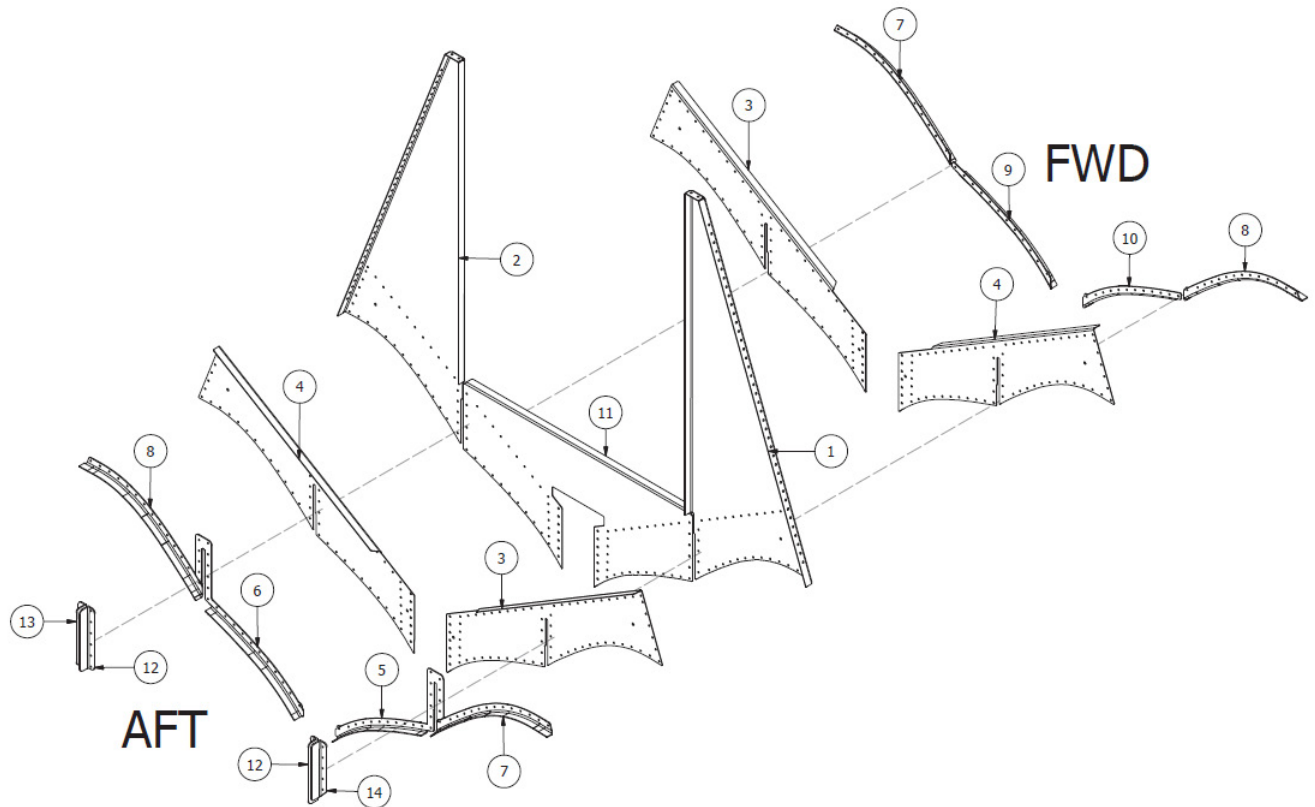


ITEM	QTY	PART NO.	PART DESCRIPTION
-	1	1011389	ASSEMBLY, BULKHEAD #14, 10000
1	1	1007955	ANGLE, COVER REINFORCEMENT, BULKHEAD 9, 14
2	2	1009820	ASSEMBLY, ANGLE, SUPPORT, BACK STOP, 10000
3	11	1011390	PANEL, FLUTE, 10000
4	1	1011391	PANEL, FLUTE, 10000
5	1	1011392	FLANGE, FLUTE, SUPPORT, BULKHEAD, 10000
6	1	1011393	FLANGE, FLUTE, SUPPORT, BULKHEAD, 10000
7	1	1011394	FLANGE, FLUTE, SUPPORT, BULKHEAD, 10000
8	1	1011395	FLANGE, FLUTE, SUPPORT, BULKHEAD, 10000
9	2	1011396	FLANGE, FLUTE, SUPPORT, BULKHEAD, 10000
10	2	1011397	FLANGE, FLUTE, SUPPORT, BULKHEAD, 10000
11	1	1011398	PANEL, FLUTE, 10000

PARTS MANUAL  
10000 AMPHIBIAN FLOATS ON AT-802 & AT-802A - FIRE BOSS CONVERSION

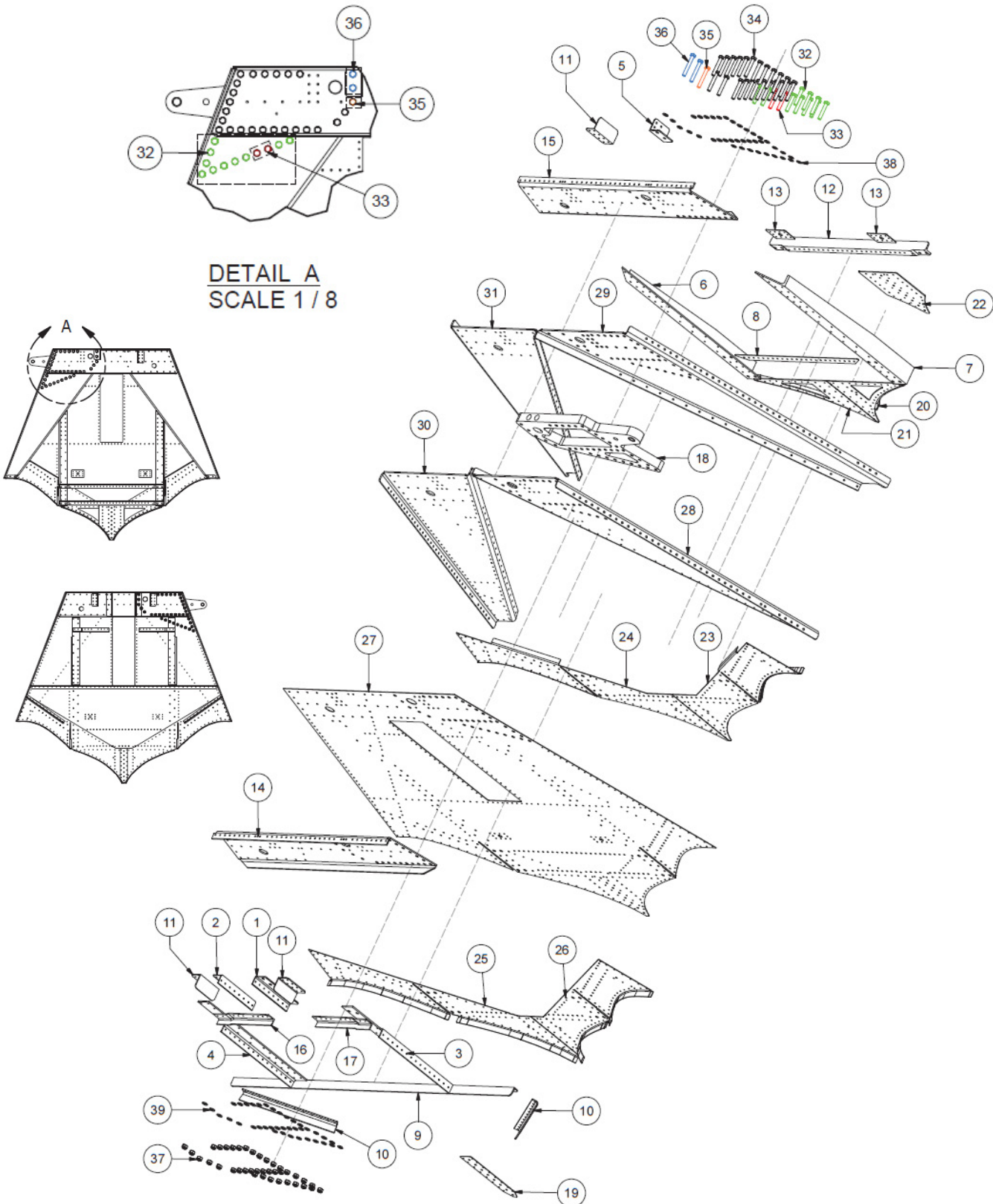
ITEM	QTY	PART NO.	PART DESCRIPTION
12	1	1011399	PANEL, FLUTE, 10000
13	1	1011400	SPACER, STIFFENER, BULKHEAD
14	1	1011537	PANEL, BULKHEAD 14
15	1	13A01348-009	ANGLE, BH #14, HORIZONTAL
16	2	13A01359-124	ANGLE, TOP RAIL ATTACH
17	1	13A01359-134	ANGLE, COVER REINFORCEMENT, BULKHEAD 14
18	1	13A01359-141	ANGLE, BH #14, SISTER KEEL ATTACH, LT
19	1	13A01359-142	ANGLE, BH #14, SISTER KEEL ATTACH, RT
20	1	13A01381-009	STIFFENER, BH #14, CENTER UPPER
21	1	13A01381-011	STIFFENER, CENTER, BOTTOM, BH 9 & 14
22	8	MS21059L08	NUT PLATE

## BULKHEAD #15



ITEM	QTY	PART NO.	PART DESCRIPTION
-	1	1011371	ASSEMBLY, BULKHEAD #15, 10000
1	1	1001052	PANEL, BULKHEAD SIDE #15, RIGHT
2	1	1001053	PANEL, BULKHEAD SIDE #15, LEFT
3	2	1011372	PANEL, FLUTE, 10000
4	2	1011373	PANEL, FLUTE, 10000
5	1	1011374	FLANGE, FLUTE, SUPPORT, BULKHEAD, 10000
6	1	1011375	FLANGE, FLUTE, SUPPORT, BULKHEAD, 10000
7	2	1011376	FLANGE, FLUTE, SUPPORT, BULKHEAD, 10000
8	2	1011377	FLANGE, FLUTE, SUPPORT, BULKHEAD, 10000
9	1	1011378	FLANGE, FLUTE, SUPPORT, BULKHEAD, 10000
10	1	1011379	FLANGE, FLUTE, SUPPORT, BULKHEAD, 10000
11	1	1011690	PANEL, CENTER, BULKHEAD #15
12	2	13A01359-133	ANGLE, SISTER KEEL ATTACH
13	1	8A01359-079	ANGLE, SISTER KEEL ATTACH, AFT LEFT
14	1	8A01359-080	ANGLE, SISTER KEEL ATTACH, AFT RIGHT

### BULKHEAD #16 LEFT FLOAT



## PARTS MANUAL

## 10000 AMPHIBIAN FLOATS ON AT-802 &amp; AT-802A - FIRE BOSS CONVERSION

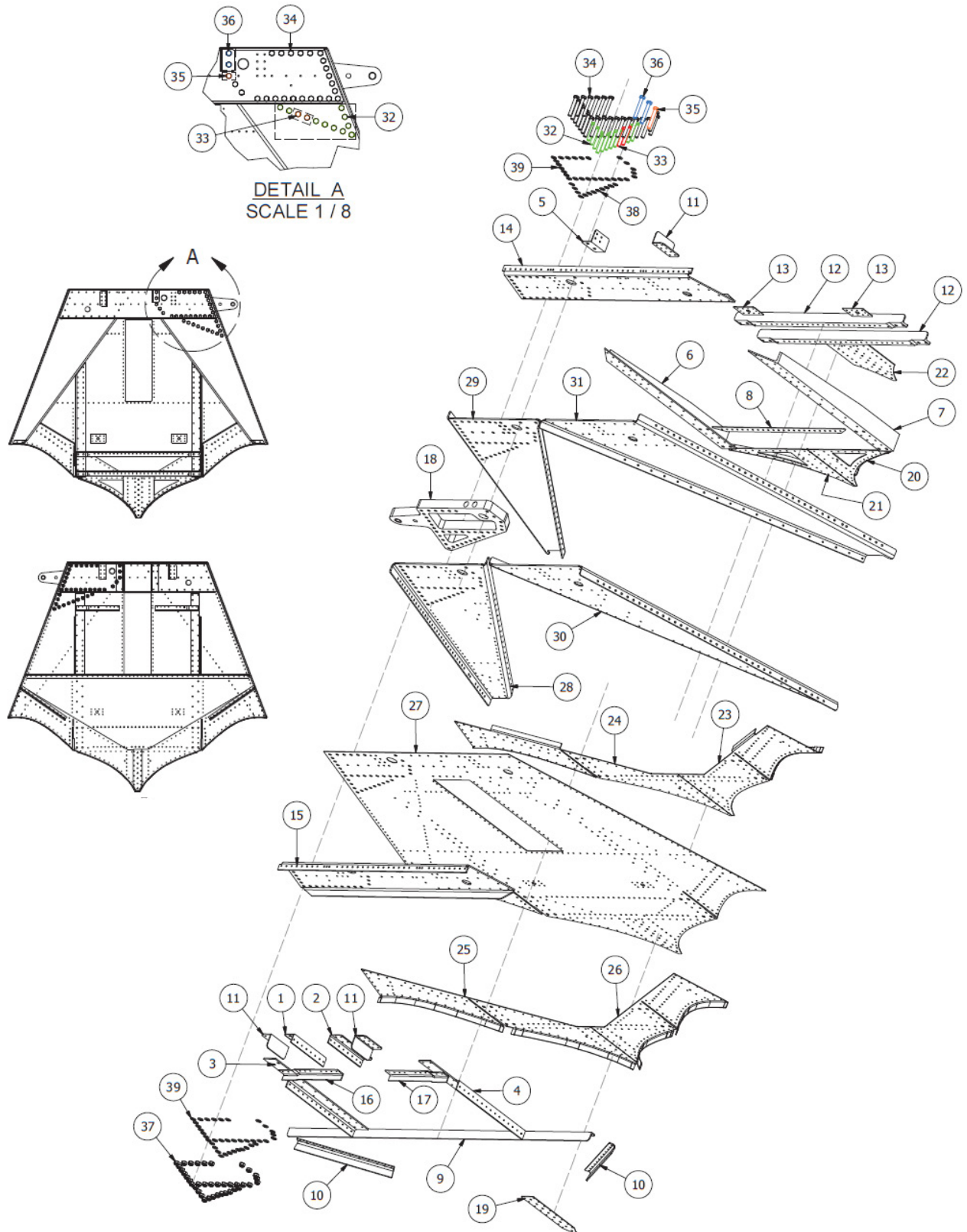
ITEM	QTY	PART NO.	PART DESCRIPTION
-	1	1011503	ASSEMBLY, BULKHEAD #16, LEFT FLOAT, 10000
1	1	10A01348-027	ANGLE, UPPER VERT. WHEEL WELL
2	1	10A01348-029	ANGLE, UPPER VERT. WHEEL WELL
3	1	10A01357-076	ANGLE, BULKHEAD, VERTICAL TRUNION EXTENSION
4	1	10A01357-077	ANGLE, BULKHEAD, VERTICAL TRUNION EXTENSION
5	1	10A01382-029	ANGLE, TOP RAIL MOD. LEFT
6	1	10A01428-003	ANGLE - TRUNNION SUPPORT, LEFT
7	1	10A01428-004	ANGLE - TRUNNION SUPPORT, RIGHT
8	1	13A01150-205	SHIM, UPPER, #16 BULKHEAD
9	1	13A01359-170	HORZ. ANGLE BULKHEAD #16
10	2	13A01359-179	ANGLE, BULKHEAD #16
11	3	13A01382-003	CLEAT, TOP DECK RAIL
12	2	13A01427-016	ANGLE -TRUNION HORIZ STIFFENER, BULKHEAD #16
13	2	1001380	BRAKE LINE DOUBLER
14	1	1001433	PANEL - MAIN STRUT
15	1	1001434	PANEL - MAIN STRUT
16	1	1007953	ANGLE - ATTACH HORZ. PANEL BULKHEAD #16
17	1	1007954	ANGLE - ATTACH HORZ. PANEL BULKHEAD #16
18	1	1009850	ASSY, FITTING, MAIN STRUT, FLOAT (P/N 13A01161-002 DISCONTINUED)
	1	1008698	BUSHING .625 ID
	1	1012018	BUSHING, .500 ID
19	1	1011498	DOUBLER
20	1	1011511	FLANGE, FLUTE, SUPPORT, BULKHEAD, 10000
21	1	1011512	FLANGE, FLUTE, SUPPORT, BULKHEAD, 10000
22	1	1011513	DOUBLER, TUNNEL END
23	1	1011514	PANEL, FLUTE, 10000
24	1	1011515	PANEL, FLUTE, 10000
25	1	1011516	PANEL, FLUTE, 10000
26	1	1011517	PANEL, FLUTE, 10000
27	1	1011518	PANEL, BULKHEAD, 16
28	1	1011691	PANEL, MAIN STRUT, INBRD, AFT, LT
29	1	1011693	PANEL, MAIN STRUT, INBRD, FWD, LEFT
30	1	1011695	PANEL, MAIN STRUT, OUTBRD, AFT, LT
31	1	1011697	PANEL, MAIN STRUT, OUTBRD, FWD, LT
32	10	AN5-16A	BOLT, 5/16-24, 1.3125 GRIP, UNDRILLED, STEEL
33	2	AN5-17A	BOLT, 5/16-24, 1.4375 GRIP, UNDRILLED, STEEL
34	23	AN5-20A	BOLT, 5/16-24, 1.5625 GRIP, UNDRILLED, STEEL
35	1	AN5-21A	BOLT, 5/16-24, 1.6875 GRIP, UNDRILLED, STEEL
36	2	AN5-22A	BOLT, 5/16-24, 1.8125 GRIP, UNDRILLED, STEEL
37	38	MS21044N5	NUT, LOCKING, REGULAR HEIGHT, 5/16-24 UNF

PARTS MANUAL

10000 AMPHIBIAN FLOATS ON AT-802 & AT-802A - FIRE BOSS CONVERSION

<b>ITEM</b>	<b>QTY</b>	<b>PART NO.</b>	<b>PART DESCRIPTION</b>
38	12	NAS1149D0516J	WASHER, 0.328 ID, 0.016 THK, ALUMINUM
39	64	NAS1149D0563J	WASHER, 0.328 ID, 0.063 THK, ALUMINUM

### BULKHEAD #16 RIGHT FLOAT



PARTS MANUAL  
10000 AMPHIBIAN FLOATS ON AT-802 & AT-802A - FIRE BOSS CONVERSION

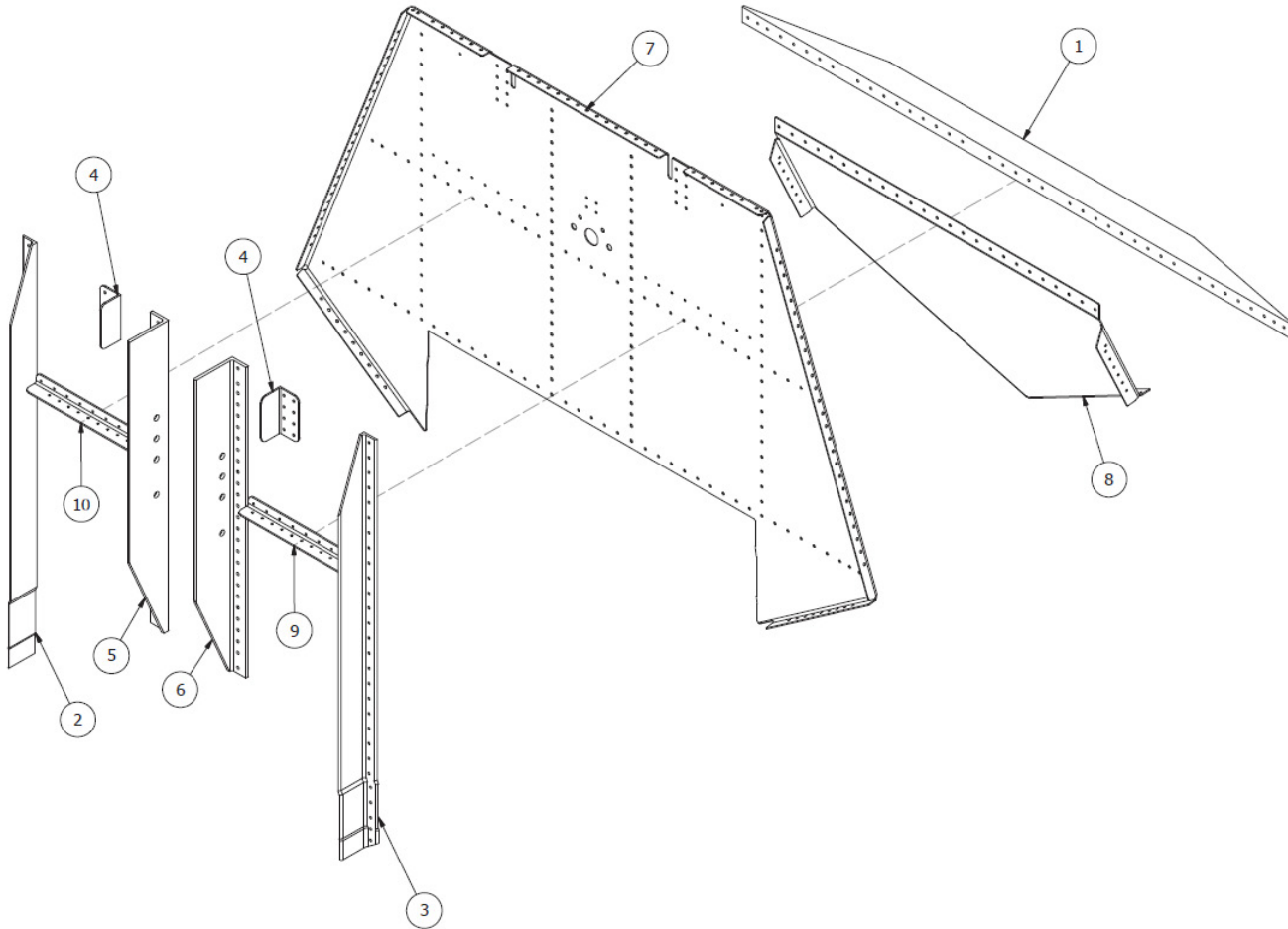
ITEM	QTY	PART NO.	PART DESCRIPTION
-	1	1011504	ASSEMBLY, BULKHEAD #16, RIGHT FLOAT, 10000
1	1	10A01348-028	ANGLE - UPPER VERT. WHEEL WELL BULKHEAD #16
2	1	10A01348-030	ANGLE - UPPER VERT. WHEEL WELL BULKHEAD #16
3	1	10A01357-075	ANGLE, BULKHEAD, VERTICAL TRUNION EXTENSION
4	1	10A01357-078	ANGLE, BULKHEAD, VERTICAL TRUNION EXTENSION
5	1	10A01382-028	ANGLE, TOP RAIL MOD. RIGHT
6	1	10A01428-003	ANGLE - TRUNNION SUPPORT, LEFT
7	1	10A01428-004	ANGLE - TRUNNION SUPPORT, RIGHT
8	1	13A01150-205	SHIM, UPPER, #16 BULKHEAD
9	1	13A01359-170	HORZ. ANGLE BULKHEAD #16
10	2	13A01359-179	ANGLE, BULKHEAD #16
11	3	13A01382-003	CLEAT, TOP DECK RAIL
12	2	13A01427-016	ANGLE -TRUNION HORIZ STIFFENER, BULKHEAD #16
13	2	1001380	BRAKE LINE DOUBLER
14	1	1001433	PANEL - MAIN STRUT
15	1	1001434	PANEL - MAIN STRUT
16	1	1007953	ANGLE - ATTACH HORZ. PANEL BULKHEAD #16
17	1	1007954	ANGLE - ATTACH HORZ. PANEL BULKHEAD #16
18	1	1009850	ASSY, FITTING, MAIN STRUT, FLOAT (P/N 13A01161-002 DISCONTINUED)
	1	1008698	BUSHING .625 ID
	1	1012018	BUSHING, .500 ID
19	1	1011498	DOUBLER
20	1	1011511	FLANGE, FLUTE, SUPPORT, BULKHEAD, 10000
21	1	1011512	FLANGE, FLUTE, SUPPORT, BULKHEAD, 10000
22	1	1011513	DOUBLER, TUNNEL END
23	1	1011514	PANEL, FLUTE, 10000
24	1	1011515	PANEL, FLUTE, 10000
25	1	1011516	PANEL, FLUTE, 10000
26	1	1011517	PANEL, FLUTE, 10000
27	1	1011518	PANEL, BULKHEAD, 16
28	1	1011692	PANEL, MAIN STRUT, INBRD, AFT, RT
29	1	1011694	PANEL, MAIN STRUT, INBRD, FWD, RT
30	1	1011696	PANEL, MAIN STRUT, OUTBRD, AFT, RT
31	1	1011698	PANEL, MAIN STRUT, OUTBRD, FWD, RT
32	10	AN5-16A	BOLT, 5/16-24, 1.3125 GRIP, UNDRILLED, STEEL
33	2	AN5-17A	BOLT, 5/16-24, 1.4375 GRIP, UNDRILLED, STEEL
34	23	AN5-20A	BOLT, 5/16-24, 1.5625 GRIP, UNDRILLED, STEEL
35	1	AN5-21A	BOLT, 5/16-24, 1.6875 GRIP, UNDRILLED, STEEL
36	2	AN5-22A	BOLT, 5/16-24, 1.8125 GRIP, UNDRILLED, STEEL
37	38	MS21044N5	NUT, LOCKING, REGULAR HEIGHT, 5/16-24 UNF



PARTS MANUAL  
10000 AMPHIBIAN FLOATS ON AT-802 & AT-802A - FIRE BOSS CONVERSION

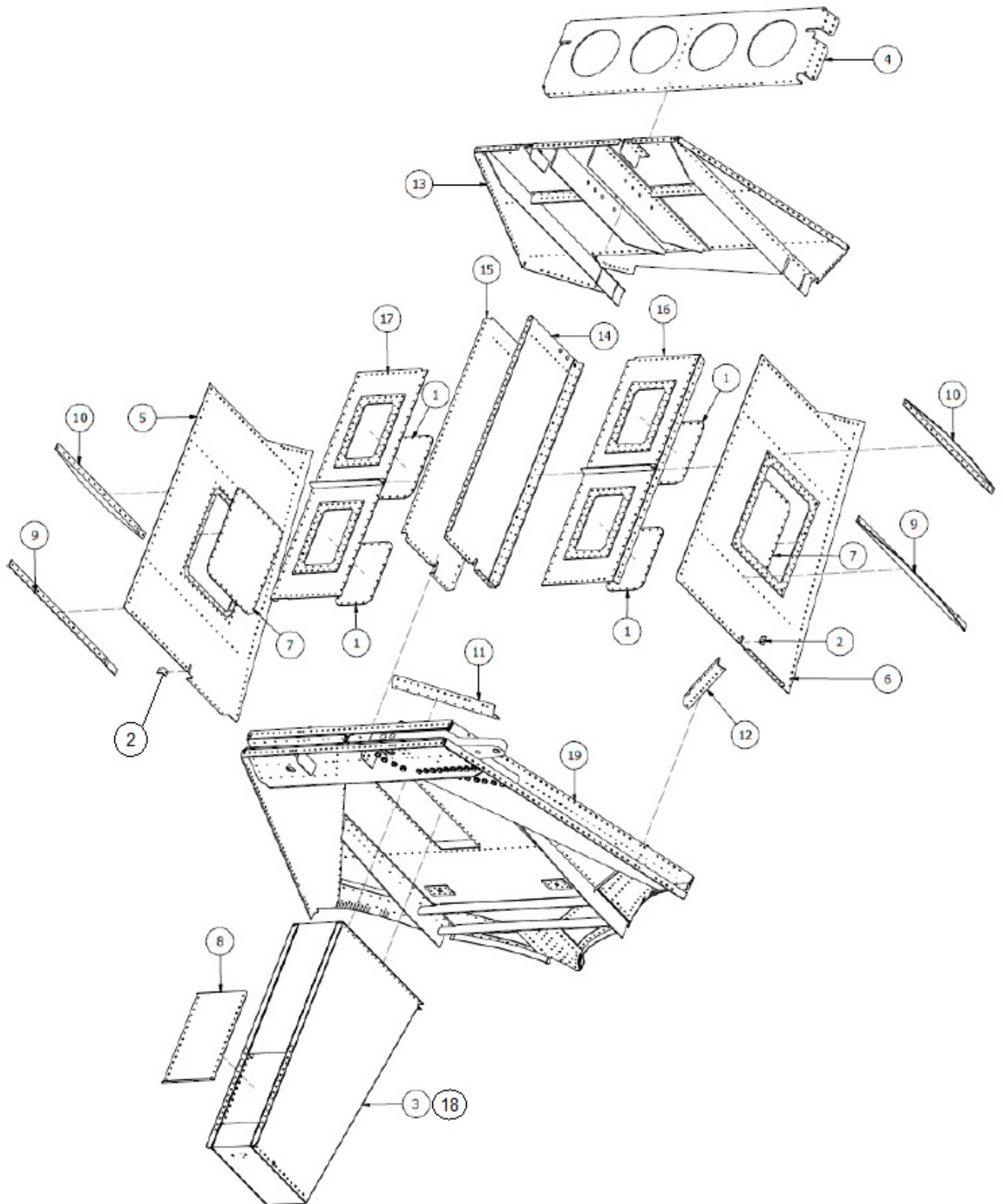
<b>ITEM</b>	<b>QTY</b>	<b>PART NO.</b>	<b>PART DESCRIPTION</b>
38	12	NAS1149D0516J	WASHER, 0.328 ID, 0.016 THK, ALUMINUM
39	64	NAS1149D0563J	WASHER, 0.328 ID, 0.063 THK, ALUMINUM

### BULKHEAD #17



ITEM	QTY	PART NO.	PART DESCRIPTION
-	1	1007936	ASSEMBLY, BULKHEAD 17, 10000
1	1	13A01357-045	ANGLE, HORIZ. BULKHEAD #17
2	1	13A01357-046	ANGLE, CARRY THRU ATTACH RH. BULKHEAD #17
3	1	13A01357-047	ANGLE, CARRY THRU ATTACH LH. BULKHEAD #17
4	2	13A01382-003	CLEAT, TOP DECK RAIL
5	1	13A01426-006	ANGLE, SLIDE TUBE, ATTACH, BULKHEAD #17, RH
6	1	13A01426-007	ANGLE, SLIDE TUBE, ATTACH, BULKHEAD #17, LH
7	1	1007928	PANEL, BULKHEAD 17
8	1	1007929	PANEL, LOWER, #17 BULKHEAD
9	1	1007931	ANGLE, WHEEL WELL BULKHEAD #17
10	1	1007932	ANGLE, WHEEL WELL BULKHEAD #17

### WHEEL WELL RIGHT FLOAT

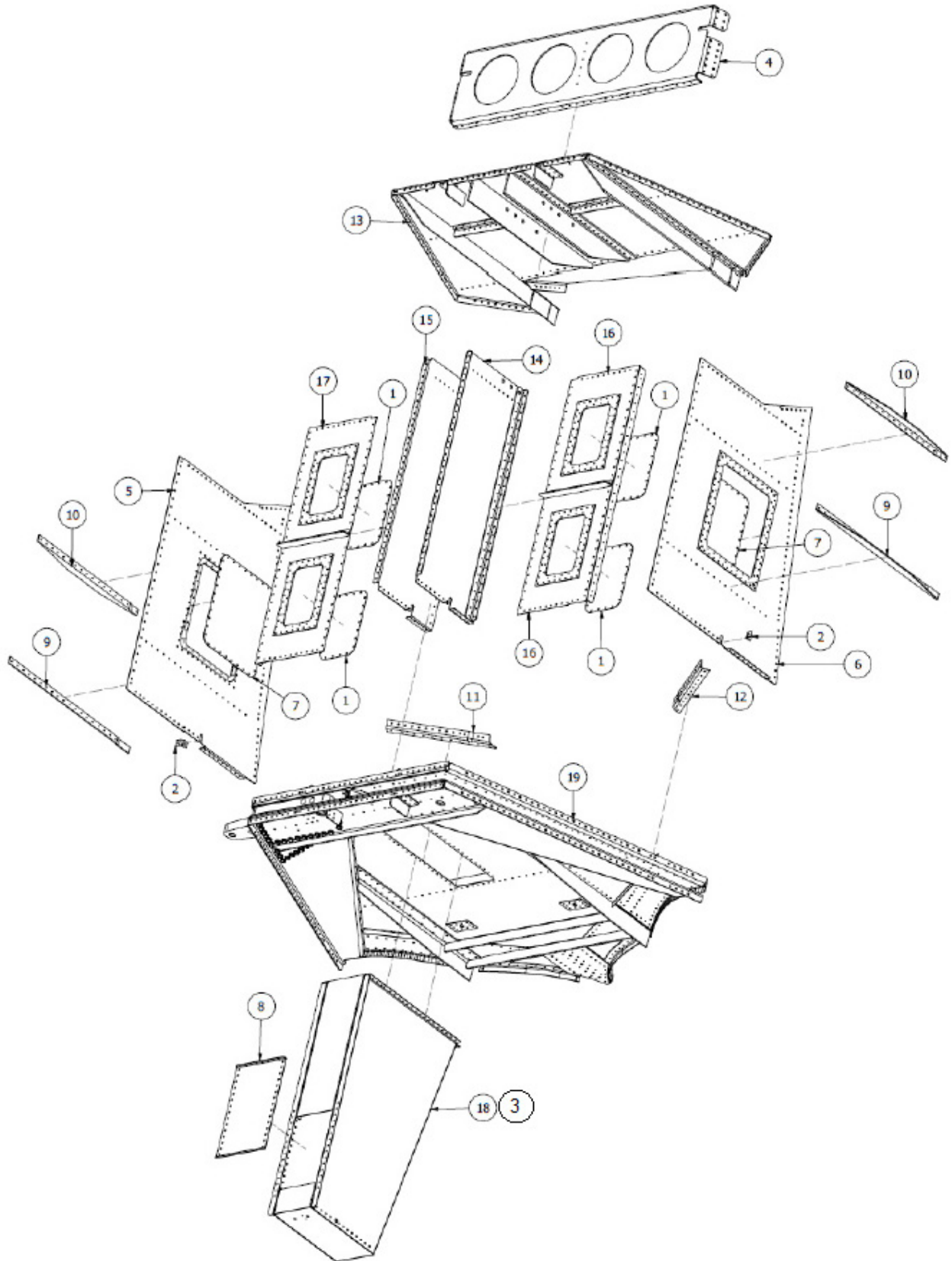


PARTS MANUAL

10000 AMPHIBIAN FLOATS ON AT-802 & AT-802A - FIRE BOSS CONVERSION

ITEM	QTY	PART NO.	PART DESCRIPTION
-	1	1011706	ASSEMBLY, WHEEL WELL, RIGHT FLOAT, 10000
1	4	6A01158-151	COVER, INSPECTION, WHEELWELL, LARGE
2	2	6A01339-047	ANGLE, STATION 13
3	1	10A01000-434	ASSEMBLY, TUNNEL, MAIN GEAR RETRACT, 10000 (SERIAL NUMBERS 10165A & 10166A AND PRIOR)
4	1	10A01000-435	ASS'Y PANEL - HORIZ. #17 BULKHEAD
5	1	10A01000-436	ASSY, WHEEL WELL HALF, UPPER, RIGHT
6	1	10A01000-437	ASSY, WHEEL WELL HALF, UPPER, LEFT
7	2	13A01150-130	COVER, INSPECTION, WHEELWELL, LARGE
8	1	13A01158-147	COVER, TUNNEL, 13000
9	2	13A01359-187	ANGLE
10	2	13A01359-188	ANGLE
11	1	1001064	ANGLE, STIFFENER, RIGHT
12	1	1001065	ANGLE, STIFFENER, LEFT
13	1	1007936	ASSEMBLY, BULKHEAD 17, 10000
14	1	1007937	ASSEMBLY, PANEL, WHEEL WELL, VERT, UPPER, LH
15	1	1007938	ASSEMBLY, PANEL, WHEEL WELL, VERT, UPPER, RH
16	1	1007939	ASSEMBLY, PANEL, WHEEL WELL, HORIZ, LH
17	1	1007940	ASSEMBLY, PANEL, WHEEL WELL, HORIZ, RH
18	1	1011130	ASSEMBLY, TUNNEL, MAIN GEAR RETRACT, 10000 (SERIAL NUMBERS 10167A & 10168A AND LATER)
19	1	1011504	ASSEMBLY, BULKHEAD 16, RIGHT FLOAT, 10000 (SERIAL NUMBERS 10269A & 10270A AND LATER)

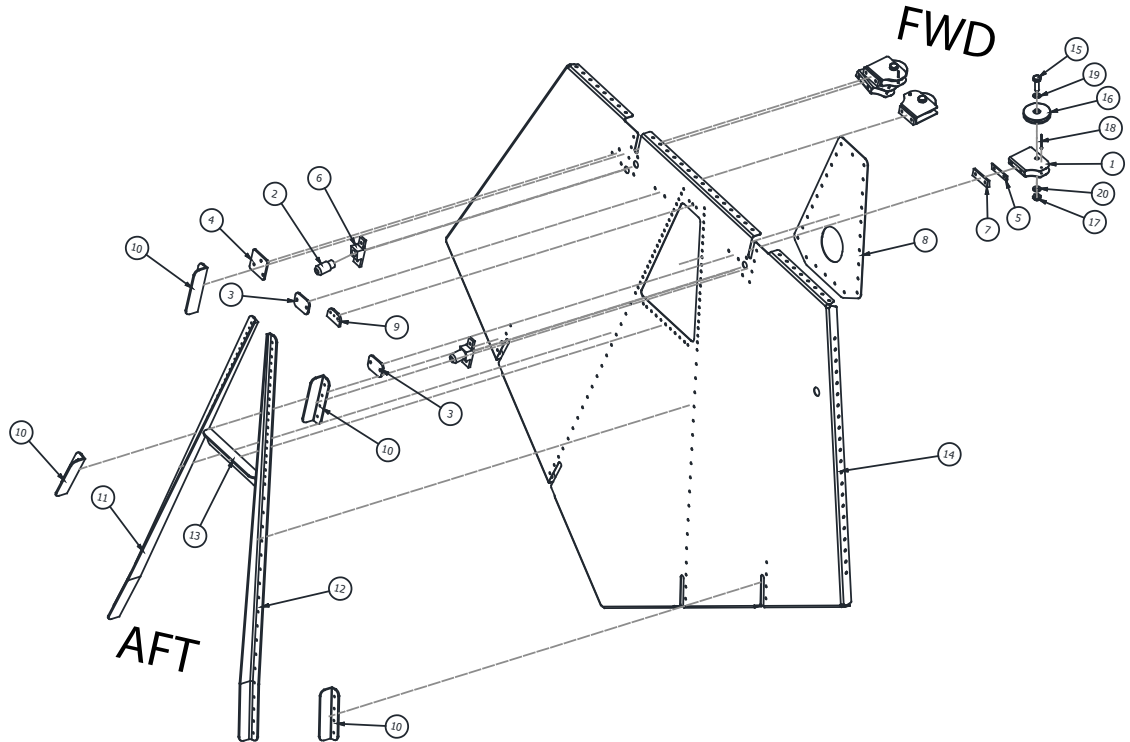
### WHEEL WELL LEFT FLOAT



PARTS MANUAL  
10000 AMPHIBIAN FLOATS ON AT-802 & AT-802A - FIRE BOSS CONVERSION

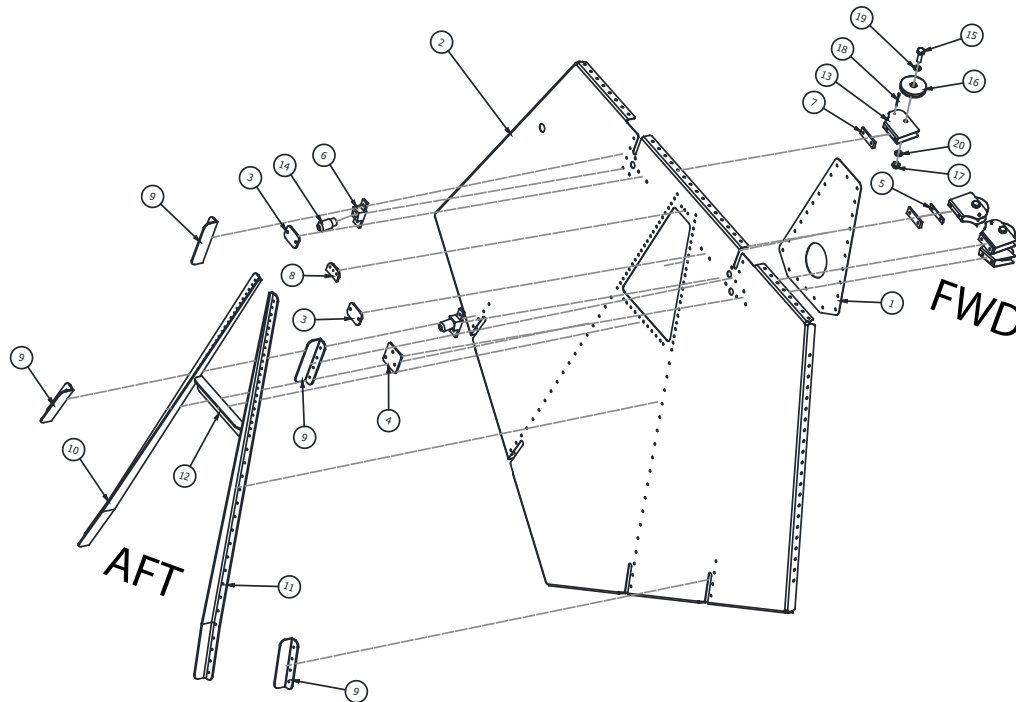
ITEM	QTY	PART NO.	PART DESCRIPTION
-	1	1011705	ASSEMBLY, WHEEL WELL, LEFT FLOAT, 10000
1	4	6A01158-151	COVER, INSPECTION, WHEELWELL, LARGE
2	2	6A01339-047	ANGLE, STATION 13
3	1	10A01000-434	ASSEMBLY, TUNNEL, MAIN GEAR RETRACT, 10000 (SERIAL NUMBERS 10165A & 10166A AND PRIOR)
4	1	10A01000-435	ASS'Y PANEL - HORIZ. #17 BULKHEAD
5	1	10A01000-436	ASSY, WHEEL WELL HALF, UPPER, RIGHT
6	1	10A01000-437	ASSY, WHEEL WELL HALF, UPPER, LEFT
7	2	13A01150-130	COVER, INSPECTION, WHEELWELL, LARGE
8	1	13A01158-147	COVER, TUNNEL, 13000
9	2	13A01359-187	ANGLE
10	2	13A01359-188	ANGLE
11	1	1001064	ANGLE, STIFFENER, RIGHT
12	1	1001065	ANGLE, STIFFENER, LEFT
13	1	1007936	ASSEMBLY, BULKHEAD 17, 10000
14	1	1007937	ASSEMBLY, PANEL, WHEEL WELL, VERT, UPPER, LH
15	1	1007938	ASSEMBLY, PANEL, WHEEL WELL, VERT, UPPER, RH
16	1	1007939	ASSEMBLY, PANEL, WHEEL WELL, HORIZ, LH
17	1	1007940	ASSEMBLY, PANEL, WHEEL WELL, HORIZ, RH
18	1	1011130	ASSEMBLY, TUNNEL, MAIN GEAR RETRACT, 10000 (SERIAL NUMBERS 10167A & 10168A AND LATER)
19	1	1011503	ASSEMBLY, BULKHEAD 16, LEFT FLOAT, 10000 (SERIAL NUMBERS 10269A & 10270A AND LATER)

### BULKHEAD #18 RIGHT FLOAT



ITEM	QTY	PART NO.	PART DESCRIPTION
-	1	1001072	ASSEMBLY, BULKHEAD #18, RIGHT FLOAT, 10000
1	4	3A01151-010	PULLEY BRACKET
2	2	3A08605-001	CABLE GUIDE
3	2	10A01156-174	BACK - PULLEY BRACKET
4	1	10A01156-175	CLUSTER BRACKET - PULLEY
5	1	10A01156-179	REINFORCEMENT, PULLEY
6	2	10A08183-007	GUIDE - PULLEY BRACKET
7	3	10A08200-008	SHIM - PULLEY MOUNT
8	1	13A01150-091	COVER - BULKHEAD #18
9	1	13A01160-012	DOUBLER - COVER ATTACH
10	4	13A01359-124	ANGLE, TOP RAIL ATTACH
11	1	13A01359-135	ANGLE, STIFFENER, BULK 18, RIGHT
12	1	13A01359-136	ANGLE, STIFFENER, BULK 18, LEFT
13	1	13A01359-166	ANGLE, COVER, BULK 18
14	1	1001070	BULKHEAD # 18, FORMED, RIGHT
15	4	AN4-7A	BOLT, 1/4-28, 0.4375 GRIP, UNDRILLED, STEEL
16	4	MS20219-2	PULLEY
17	4	MS21083N4	NUT, LOCKING, LOW HEIGHT, 1/4-28 UNF
18	4	MS24665-136	COTTER PIN
19	4	NAS1149D0416J	WASHER, 0.265 ID, 0.016 THK, ALUMINUM
20	4	NAS1149D0463J	WASHER, 0.265 ID, 0.063 THK, ALUMINUM

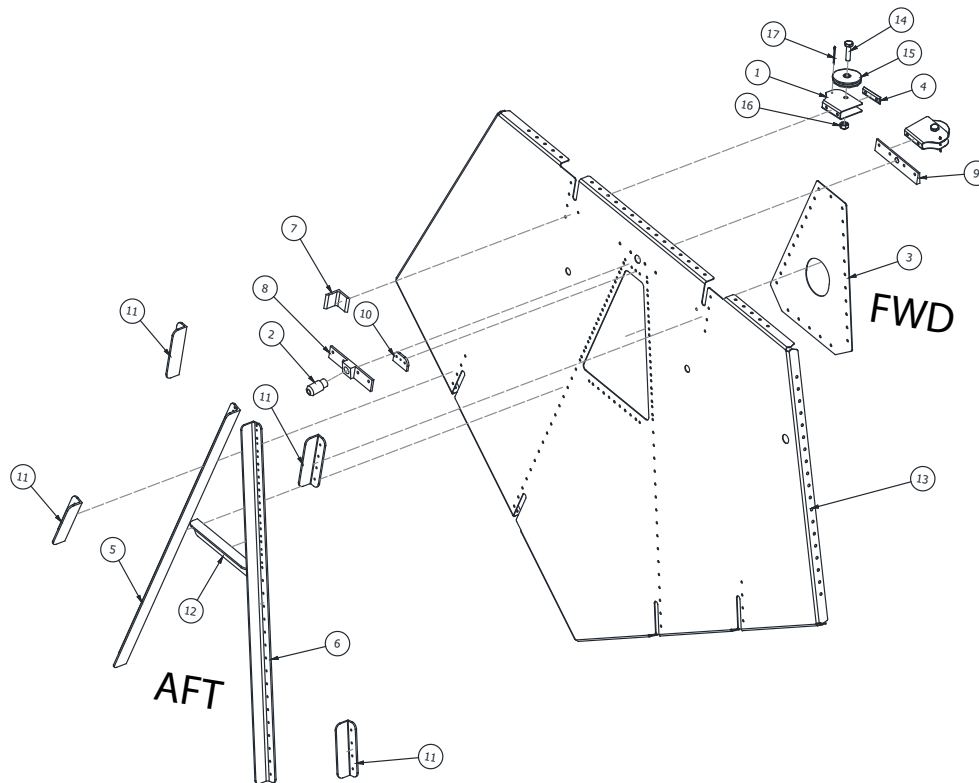
## BULKHEAD #18 LEFT FLOAT



ITEM	QTY	PART NO.	PART DESCRIPTION
-	1	1001071	ASSEMBLY, BULKHEAD #18, LEFT FLOAT, 10000
1	1	13A01150-091	COVER - BULKHEAD #18
2	1	1001069	BULKHEAD PANEL #18
3	2	10A01156-174	BACK - PULLEY BRACKET
4	1	10A01156-175	CLUSTER BRACKET - PULLEY
5	1	10A01156-179	REINFORCEMENT, PULLEY
6	2	10A08183-007	GUIDE - PULLEY BRACKET
7	3	10A08200-008	SHIM - PULLEY MOUNT
8	1	13A01160-012	DOUBLER - COVER ATTACH
9	4	13A01359-124	ANGLE, TOP RAIL ATTACH
10	1	13A01359-135	ANGLE, STIFENER, BULK 18, RIGHT
11	1	13A01359-136	ANGLE, STIFFENER, BULK 18, LEFT
12	1	13A01359-166	ANGLE, COVER, BULK 18
13	4	3A01151-010	PULLEY BRACKET
14	2	3A08605-001	CABLE GUIDE
15	4	AN4-7A	BOLT, 1/4-28, 0.4375 GRIP, UNDRILLED, STEEL
16	4	MS20219-2	PULLEY
17	4	MS21083N4	NUT, LOCKING, LOW HEIGHT, 1/4-28 UNF
18	4	MS24665-136	COTTER PIN
19	4	NAS1149D0416J	WASHER, 0.265 ID, 0.016 THK, ALUMINUM
20	4	NAS1149D0463J	WASHER, 0.265 ID, 0.063 THK, ALUMINUM

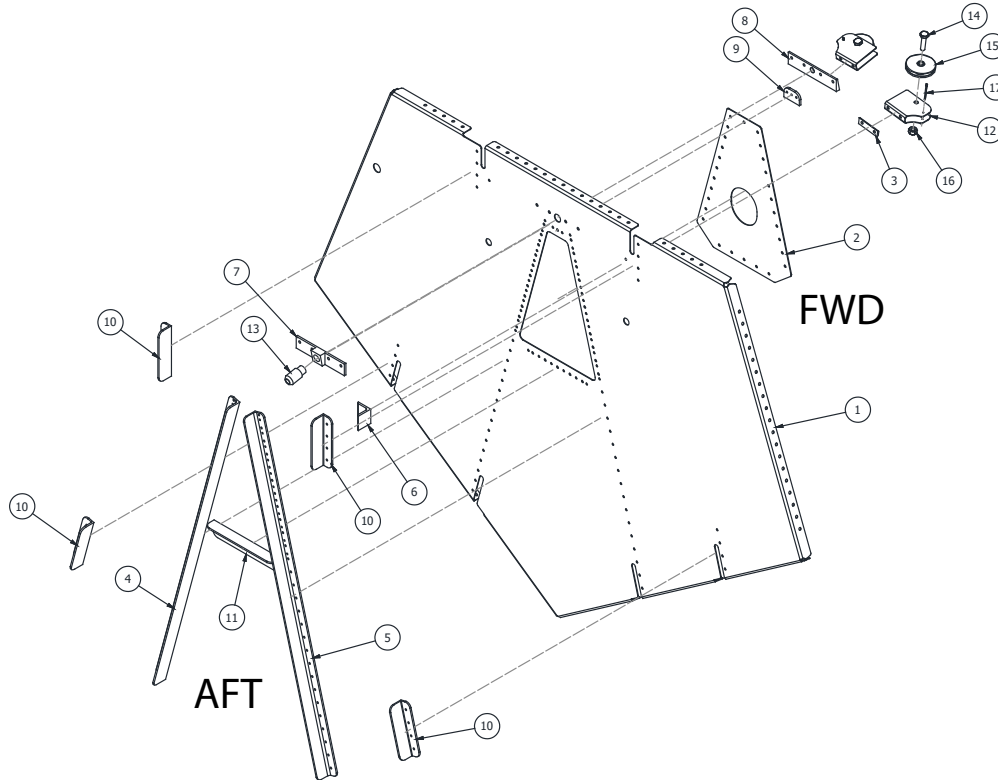


### BULKHEAD #19 RIGHT FLOAT



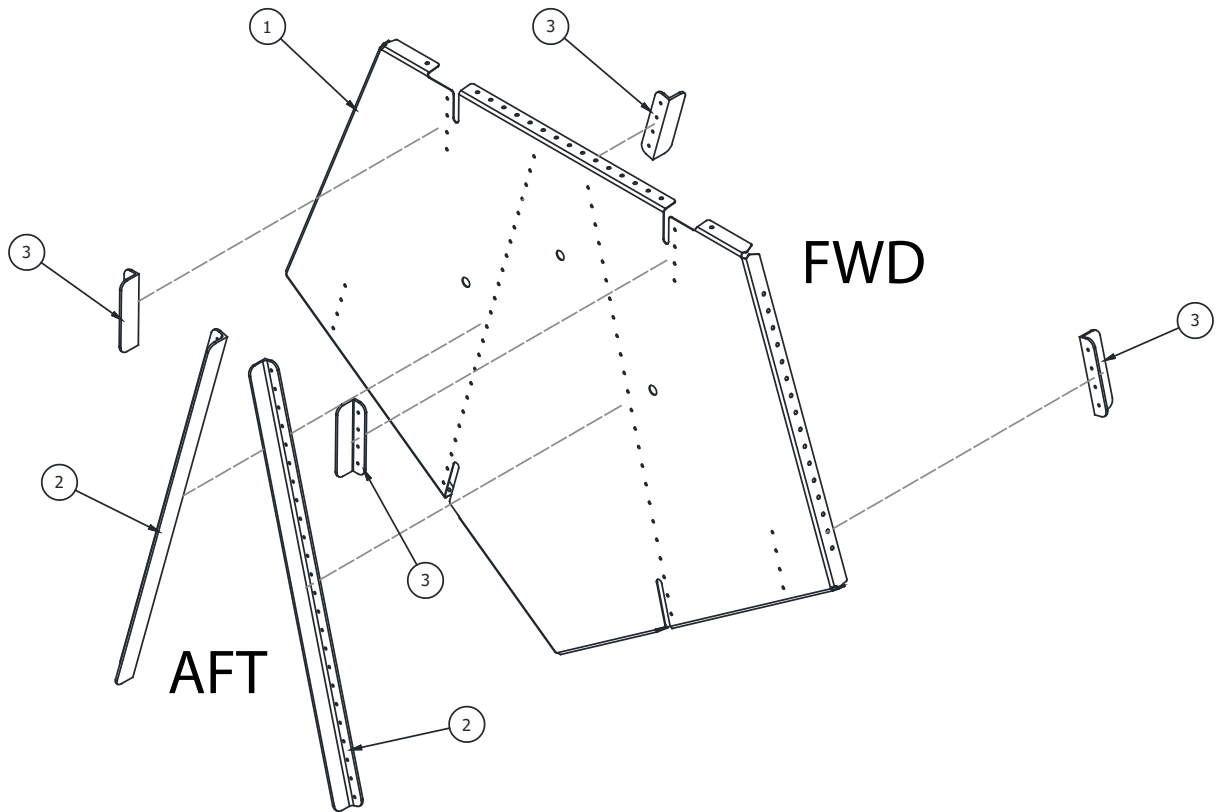
ITEM	QTY	PART NO.	PART DESCRIPTION
-	1	1001454	ASSEMBLY, BULKHEAD #19, RIGHT FLOAT, 10000
1	2	3A01151-010	BRACKET PULLEY
2	1	3A08605-001	CABLE GUIDE
3	1	10A01150-187	COVER, ACCESS HOLE, BULKHEAD #19
4	1	10A01156-179	REINFORCEMENT, PULLEY
5	1	10A01359-232	ANGLE, STIFFENER #19 BULK, RIGHT
6	1	10A01359-247	ANGLE, VERTICAL SUPPORT #19 LEFT
7	1	10A01427-042	ANGLE, #19 BULK
8	1	10A08033-004	GUIDE, RETRACT PULLEY BRACKET
9	1	10A08205-009	SHIM, PULLEY MOUNT
10	1	13A01160-012	DOUBLER, STN. #18
11	4	13A01359-124	ANGLE, TOP RAIL ATTACH
12	1	13A01359-166	ANGLE, COVER, BULK 18
13	1	1001449	PANEL, BULKHEAD #19, RIGHT
14	2	AN4-10A	BOLT, THRD 1/4-28, LNGTH +/- 1/64 - 1-1/32, GRIP LNGTH 9/16
15	2	MS20219-2	PULLEY CABLE 1/16 & 3/32, 480 LBS, OD DIA 1-3/4" ID 1/4"
16	2	MS21044N4	NUT, HEX LOCKING NYLON INSERT STEEL CAD 2, 1/4-28
17	2	MS24665-136	PIN, COTTER, 1/16" X 1" CAD STEEL

## BULKHEAD #19 LEFT FLOAT



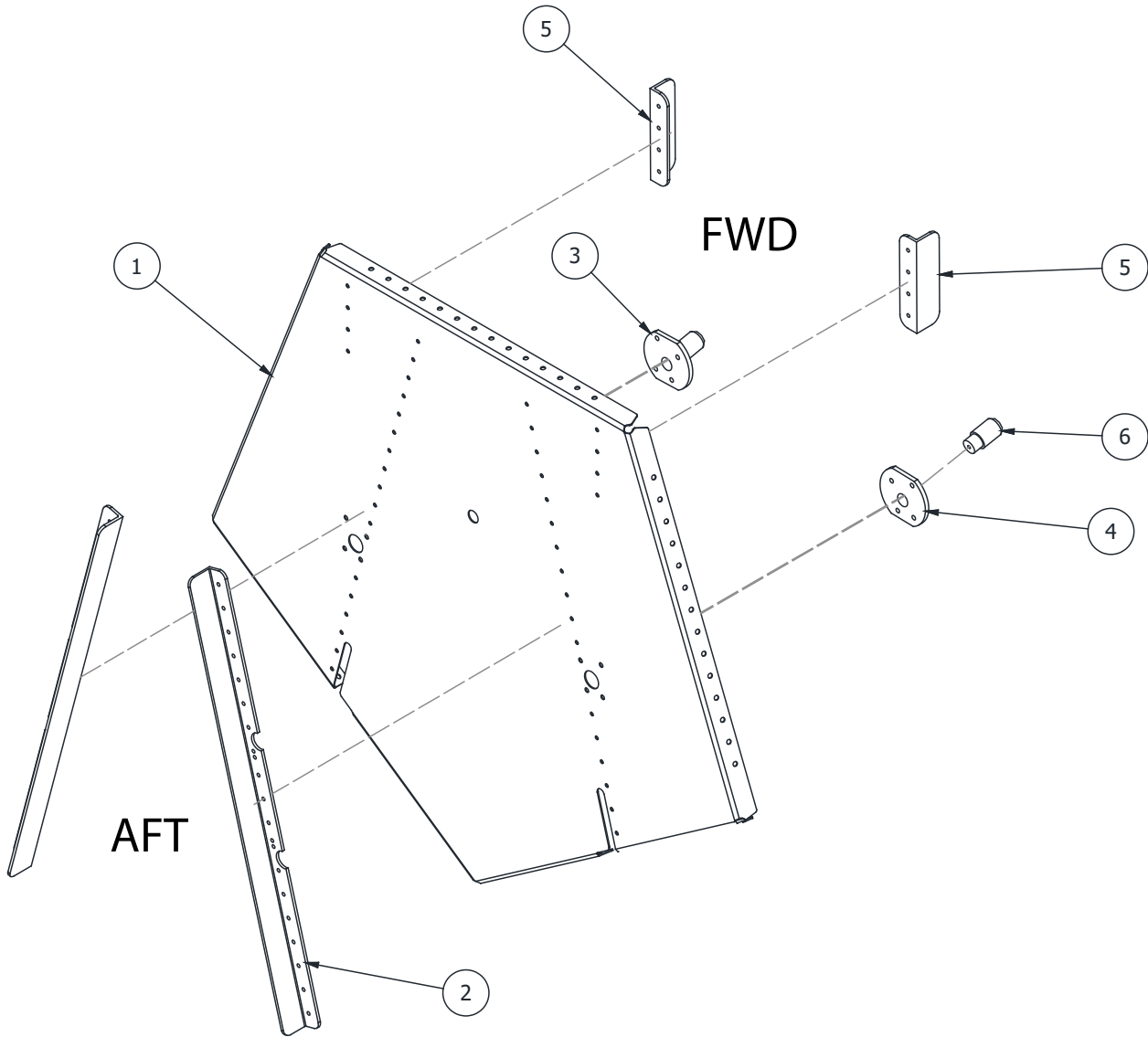
ITEM	QTY	PART NO.	PART DESCRIPTION
-	1	1001453	ASSEMBLY, BULKHEAD #19, LEFT FLOAT, 10000
1	1	1001448	PANEL, BULKHEAD #19, LEFT
2	1	10A01150-187	COVER, ACCESS HOLE, BULKHEAD #19
3	1	10A01156-179	REINFORCEMENT, PULLEY
4	1	10A01359-232	ANGLE, STIFFENER #19 BULK, RIGHT
5	1	10A01359-247	ANGLE, VERTICAL SUPPORT #19 LEFT
6	1	10A01427-042	ANGLE, #19 BULK
7	1	10A08033-004	GUIDE, RETRACT PULLEY BRACKET
8	1	10A08205-009	SHIM, PULLEY MOUNT
9	1	13A01160-012	DOUBLER, STN. #18
10	4	13A01359-124	ANGLE, TOP RAIL ATTACH
11	1	13A01359-166	ANGLE, COVER, BULK 18
12	2	3A01151-010	BRACKET PULLEY
13	1	3A08605-001	CABLE GUIDE
14	2	AN4-10A	BOLT, THRD 1/4-28, LNGTH +/- 1/64 - 1-1/32, GRIP LNGTH 9/16
15	2	MS20219-2	PULLEY CABLE 1/16 & 3/32, 480 LBS, OD DIA 1-3/4" ID 1/4"
16	2	MS21044N4	NUT, HEX LOCKING NYLON INSERT STEEL CAD 2, 1/4-28
17	2	MS24665-136	PIN, COTTER, 1/16" X 1" CAD STEEL

### BULKHEAD #20



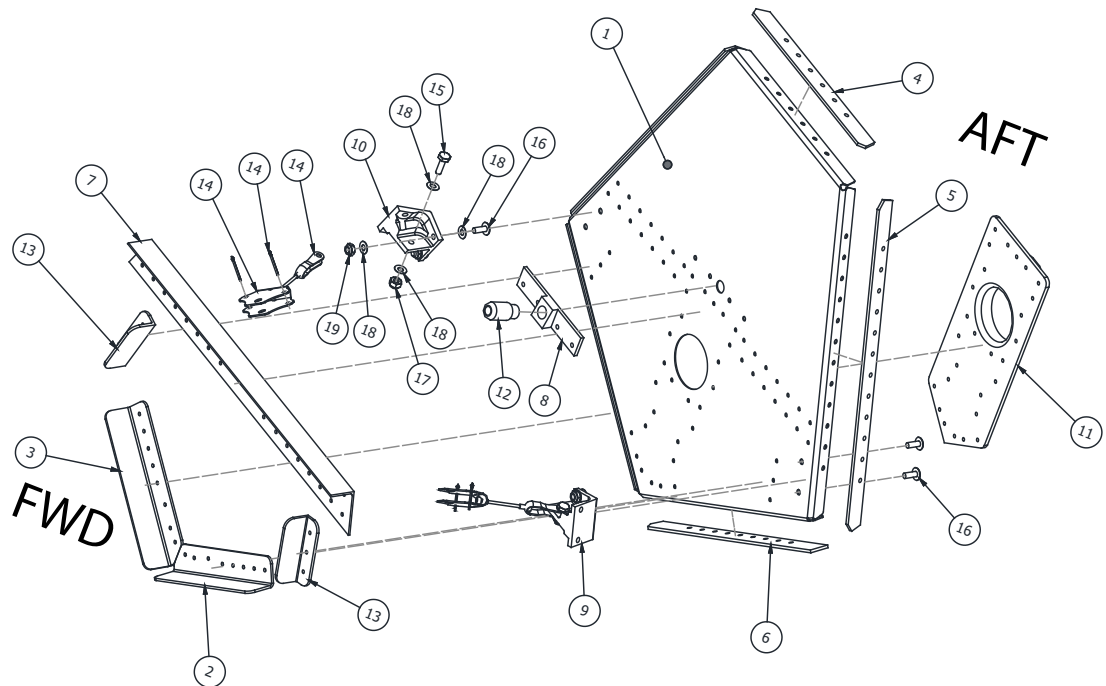
ITEM	QTY	PART NO.	PART DESCRIPTION
-	1	10A01000-411	ASSEMBLY BULKHEAD #20, 10000
1	1	10A01150-160	BULKHEAD #20
2	2	10A01359-233	ANGLE, STIFFENER #20 BULKHEAD
3	4	13A01359-124	ANGLE, TOP RAIL ATTACH

### BULKHEAD #21



ITEM	QTY	PART NO.	PART DESCRIPTION
-	1	10A01000-412	ASSEMBLY BULKHEAD #21, 10000
1	1	10A01150-161	BULKHEAD PANEL #21
2	2	10A01359-234	ANGLE, STIFFENER #21 BULKHEAD
3	1	10A08251-004	PULLEY BRACKET GUIDE (RIGHT)
4	1	10A08251-005	PULLEY BRACKET GUIDE (LEFT)
5	2	13A01359-124	ANGLE, TOP RAIL ATTACH
6	2	3A8605-001	CABLE GUIDE

## BULKHEAD #22



ITEM	QTY	PART NO.	PART DESCRIPTION
-	1	1002681	ASSEMBLY BULKHEAD #22, 10000
1	1	1002680	BULKHEAD, PANEL, #22
2	1	1005627	ANGLE, STIFFENER, WATER RUDDER, PIVOT
3	1	1005628	ANGLE, STIFFENER, WATER RUDDER, PIVOT
4	1	10A01156-171	SPACER, #22, TOP
5	2	10A01156-172	SPACER, #22, SIDE
6	2	10A01156-173	SPACER, #22, BOTTOM
7	1	10A01352-044	ANGLE - STIFFENER - BULKHEAD # 22
8	1	10A08033-004	GUIDE - PULLEY BRACKET MOUNT
9	1	10A08225-003	BRACKET, PULLEY, LH
10	1	10A08225-004	BRACKET, PULLEY, AFT BULKHEAD, RH
11	1	3A01437-001	ASSEMBLY, MOUNT, PIVOT, WATER RUDDER
12	1	3A08605-001	CABLE GUIDE
13	2	6A01359-004	ANGLE - SUPPORT
14	2	8A08000-043	ASSEMBLY, PULLEY BRACKET
15	2	AN3-5A	BOLT, 10-32, 0.25 GRIP, UNDRILLED STEEL
16	4	AN526-1032R8	SCREW, TRUSS HEAD, NON STRUCTURAL, CAD 1, STEEL
17	2	MS21044N3	NUT, LOCKING, REGULAR HEIGHT, 10-32 UNF
18	12	NAS1149D0316J	WASHER, 0.203 ID, 0.016 THK, ALUMINUM
19	4	NAS679-A3W	KAYNAR NUT

THIS PAGE INTENTIONALLY LEFT BLANK

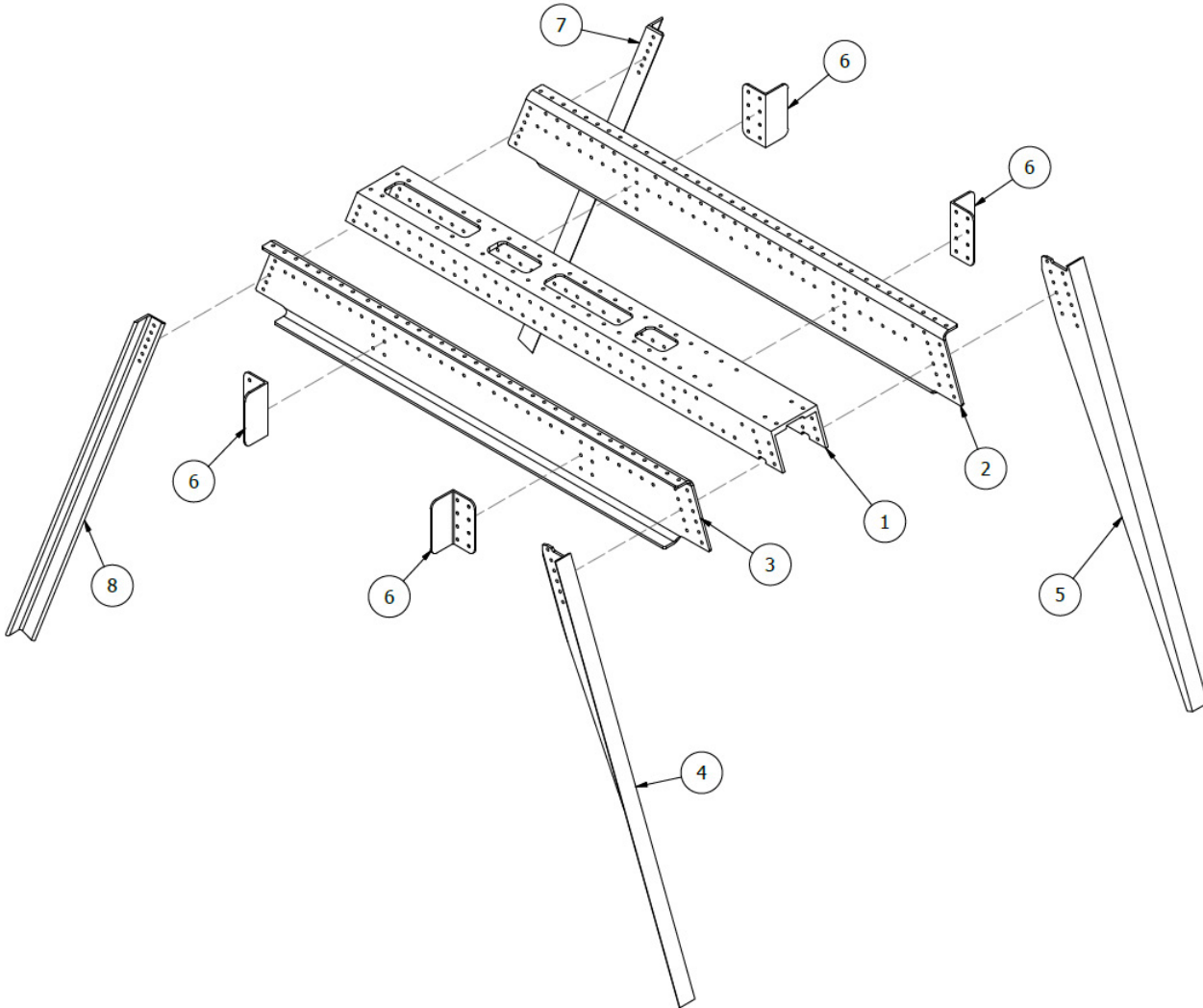
## SECTION 2

# FLOAT STRUCTURE

### CONTENTS

ASSEMBLY, DRAG STRUT, ATTACH .....	52
PANEL FORWARD SUPER ASSEMBLY & FRONT STRUT FLOAT FITTING.....	53
TOP SKINS LEFT AND RIGHT FLOATS .....	55
SKIN ASSEMBLY, TOP DECK LEFT - FLOAT SERIAL NUMBERS 10309A & 10310A AND LATER.....	57
SKIN ASSEMBLY, TOP DECK LEFT - FLOAT SERIAL NUMBERS 10307A & 10308A AND PRIOR.....	59
SKIN ASSEMBLY, TOP DECK RIGHT - FLOAT SERIAL NUMBERS 10309A & 10310A AND LATER .....	61
SKIN ASSEMBLY, TOP DECK RIGHT - FLOAT SERIAL NUMBERS 10307A & 10308A AND PRIOR .....	63
BAGGAGE DOOR ASSEMBLY DETAIL A .....	65
BAGGAGE FLOOR LEFT AND RIGHT FLOATS .....	67
SIDE SKINS & STIFFENERS LEFT AND RIGHT FLOATS .....	69
BOTTOM SKINS & STIFFENERS .....	71
WHEEL WELL STEP AREA LEFT AND RIGHT FLOATS .....	73
EXTRUSIONS HULL - CHINES.....	74
STRUTS, FRONT, REAR, & STEPS .....	76
LEFT PYLON ASSEMBLY FLOAT SERIAL NUMBERS 10307A & 10308A AND LATER.....	81
RIGHT PYLON ASSEMBLY FLOAT SERIAL NUMBERS 10307A & 10308A AND LATER .....	84
LEFT PYLON ASSEMBLY FLOAT SERIAL NUMBERS 10305A & 10306A AND PRIOR .....	87
RIGHT PYLON ASSEMBLY FLOAT SERIAL NUMBERS 10305A & 10306A AND PRIOR .....	90
INSTALL FUSELAGE ITEMS.....	93
AUXILIARY FIN.....	94
VENTRAL FIN .....	96

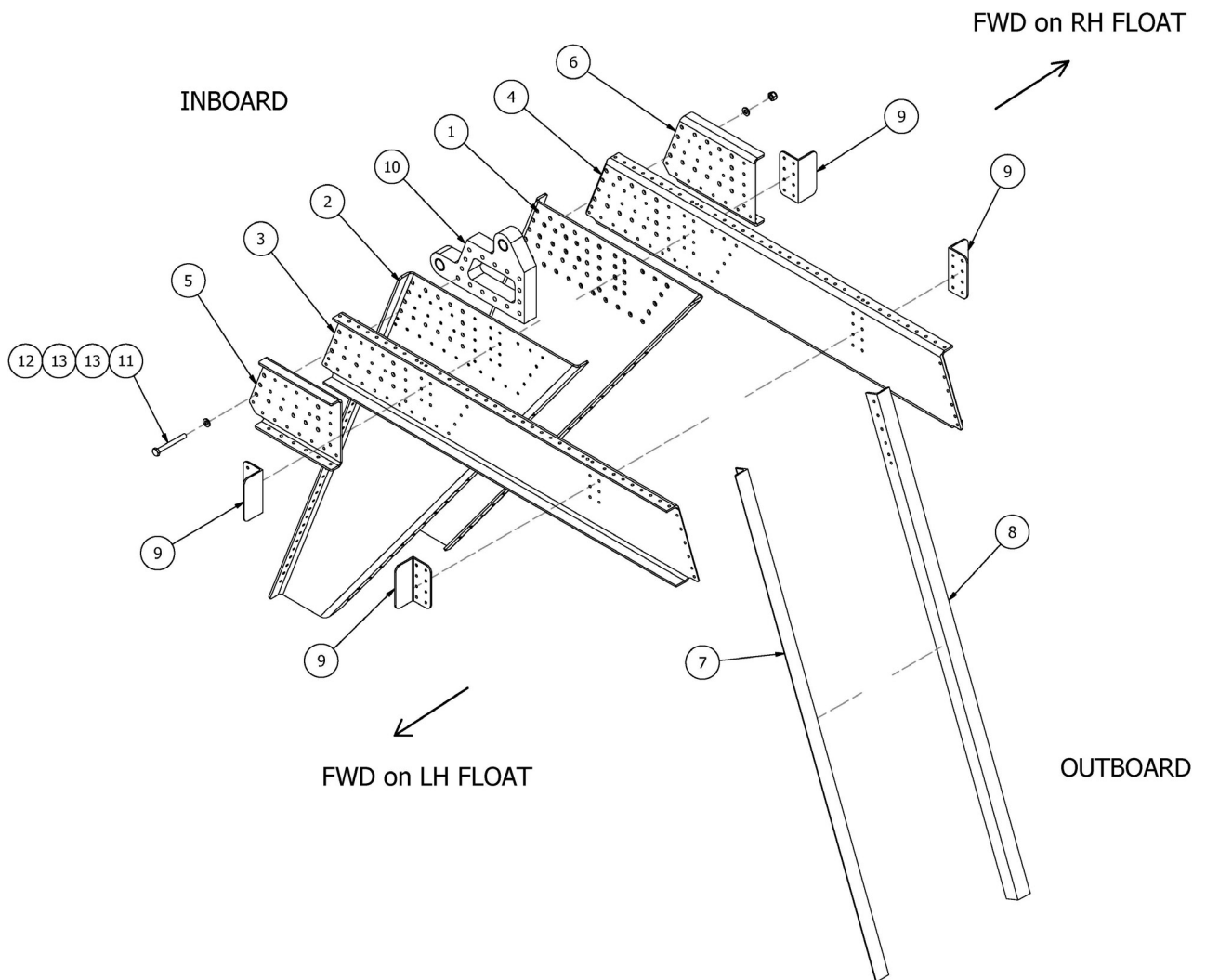
## ASSEMBLY, DRAG STRUT, ATTACH



ITEM	QTY	PART NO.	PART DESCRIPTION
-	1	1012080	ASSEMBLY, DRAG STRUT, ATTACH, 10000 (REPLACES 10A01000-446 AND 10A01000-447)
1	1	1011686	CHANNEL, DRAG STRUT ATTACH (REPLACES 13A01374-001)
2	1	1012078	PANEL, STRUT, DRAG BRACE, 10000
3	1	1012079	PANEL, STRUT, DRAG BRACE, 10000
4	1	10A01357-081	ANGLE, ARM, REAR STRUT SUPPORT, RH
5	1	10A01357-082	ANGLE, ARM, REAR STRUT SUPPORT, LH
6	4	13A01382-003	CLEAT, TOP DECK RAIL
7	1	13A01427-017	ARM - SPREADER BAR - FRONT
8	1	13A01427-018	ARM, SPREADER BAR, FORWARD



## PANEL FORWARD SUPER ASSEMBLY & FRONT STRUT FLOAT FITTING

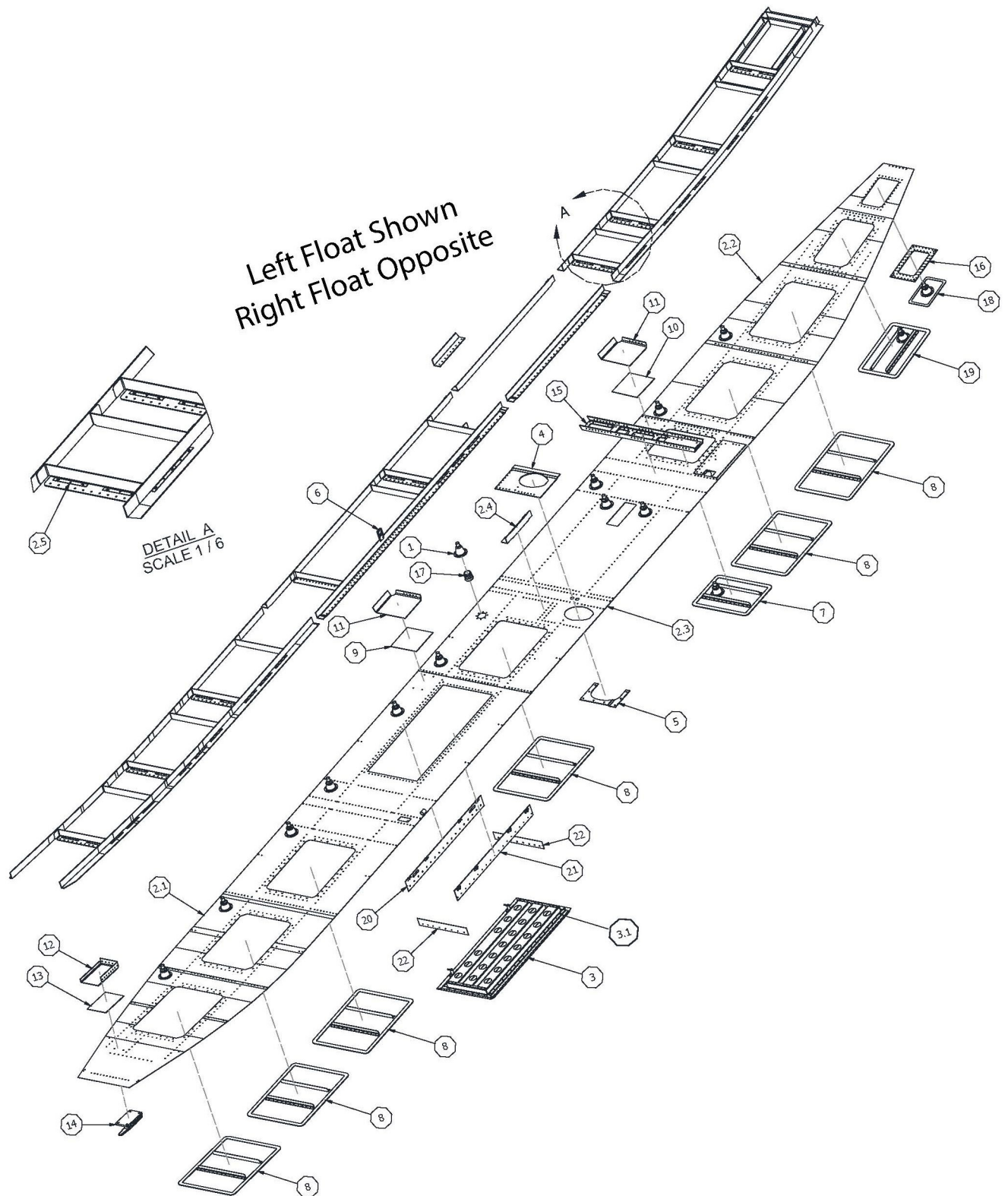


ITEM	QTY	PART NO.	PART DESCRIPTION
-	1	10A01000-445	PANEL, FWD SUPER ASSEMBLY
1	1	1001672	SUPERPANEL, FWD
2	1	1001673	SUPERPANEL, FWD
3	1	1001674	PANEL, SPREADER BAR, BIG SIDE
4	1	1001675	PANEL, SPREADER BAR, SMALL SIDE
5	1	1005020	DOUBLER, PANEL, SPREADER BAR
6	1	1005021	DOUBLER, PANEL, SPREADER BAR
7	1	10A01427-033	ANGLE - FWD SPR BAR (#21 HOLES)
8	1	10A01427-034	ANGLE - FWD SPR BAR (#21 HOLES)
9	4	13A01382-003	CLEAT, TOP DECK RAIL

ITEM	QTY	PART NO.	PART DESCRIPTION
10*	1	1009849	ASSEMBLY, FITTING, FLOAT, FRONT STRUT (REPLACES 13A01082-001)
-	1	1009846	FITTING, FLOAT, FRONT STRUT
-	2	1008698	BUSHING, 0.625" ID
11*	15	AN4-22A	BOLT, 1/4-28 THREAD, 1-13/16" GRIP
12*	15	MS21044N4	NUT, 1/4-28, HEX LOCKING
13*	30	NAS1149F0463P	WASHER, FLAT, 1/4"

\* These items are not included in the Super Panel Assembly (10A01000-445).

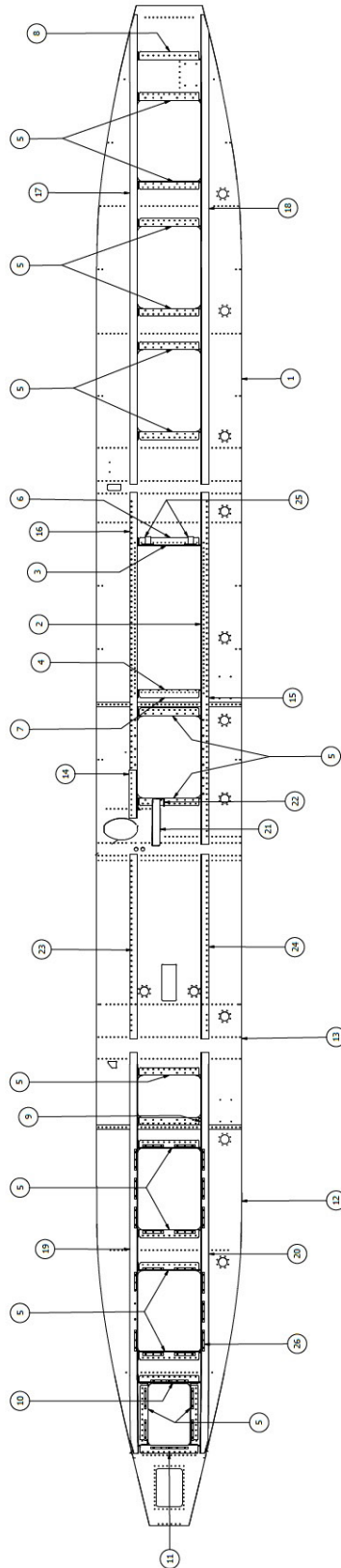
### TOP SKINS LEFT AND RIGHT FLOATS



PARTS MANUAL  
10000 AMPHIBIAN FLOATS ON AT-802 & AT-802A - FIRE BOSS CONVERSION

ITEM	QTY	PART NO.	PART DESCRIPTION
1	A/R	1011004	ASSEMBLY, CUP, PUMPOUT, DUCKBILL
	A/R	4A01749-001	CUP, PUMP OUT
	A/R	1011808	RETAINER, VALVE, DUCKBILL, PUMPOUT PLUG
2.1 LT.	1	1002042	SKIN, TOP FWD, LEFT
2.1 RT.	1	1002048	SKIN, TOP FWD, RIGHT
2.2 LT.	1	10A01150-179	SKIN, TOP, AFT, LEFT
2.2 RT.	1	10A01150-164	SKIN, TOP, AFT, RIGHT
2.3 LT.	1	10A01163-105	SKIN, TOP, MID, LEFT, 10000
2.3 RT.	1	10A01163-108	SKIN, TOP, MID, RIGHT, 10000
2.4 LT.	1	10A01382-027	RAIL - TOP SKIN W/B LEFT
2.4 RT.	1	10A01382-003	RAIL - TOP SKIN W/B RIGHT
2.5	A/R	9A3-671	TINNERMAN, ACCESS COVER
3	2	10A01000-464	BAGGAGE DOOR (SEE DETAIL A)
3.1	1	1009671	GASKET, DOOR SEAL
4	2	10A01001-068	DOUBLER, TOP RAIL LEFT, 10000
5 LT.	1	10A01592-005	FLANGE, FLOAT DECK, SCOOP TUBE, LH
5 RT.	1	10A01592-004	FLANGE, FLOAT DECK, SCOOP TUBE, RH
6	2	10A12154-017	CLIP - FOAM TANK WIRING
7	2	13A01000-210	ASSEMBLY, COVER, INSPECTION, SMALL
	1	13A01567-009	COVER SEAL, 9.63" X 13.56"
8	12	13A01000-211	ASSEMBLY, COVER, INSPECTION, LARGE
	1	13A01567-010	COVER SEAL, 13.69" X 17.16"
9	2	13A01155-006	SHIM, HARD POINT, AFT, MIDDLE
10	2	13A01155-025	SHIM, HARD POINT, AFT, MIDDLE
11	2	13A01156-091	HARD POINT, AFT, MIDDLE, LH
12 LT.	1	13A01156-119	HARD POINT, FRONT TIE DOWN, LH
12 RT.	1	13A01156-120	HARD POINT, FRONT TIE DOWN, RH
13	2	13A01157-007	SHIM - FRONT TIE DOWN, HARD POINT
14	6	13A01233-001	CLEAT
15	2	1011686	CHANNEL - DRAG STRUT ATTACH (REPLACES 13A01374-001)
16	2	21A01156-126	REINFORCEMENT, WHEEL WELL, INSPECTION COVER
17	A/R	1011870	VALVE, DUCKBILL (NEW VERSION)
	A/R	2111	STOPPER, PUMPOUT, LAKE AND AIR (OLD VERSION)
18	2	1001032	ASSEMBLY, COVER, PUMPER CUP, SMALL
	1	21A01567-012	GASKET, SIDE 2100/3000 7"X5" THIN
19	2	1001033	ASSEMBLY, COVER, PUMPER CUP, LARGE
	1	13A01567-010	COVER SEAL, 13.69" X 17.16"
20	2	1004569	ASSEMBLY, BAGGAGE LIP, OBRD, FOAM TANK, 10000 FLOAT
21	2	1004574	ASSEMBLY, BAGGAGE LIP, IBRD, FOAM TANK, 10000 FLOAT
22	4	1004599	BAGGAGE LIP, FOAM TANK, 10000 FLOAT

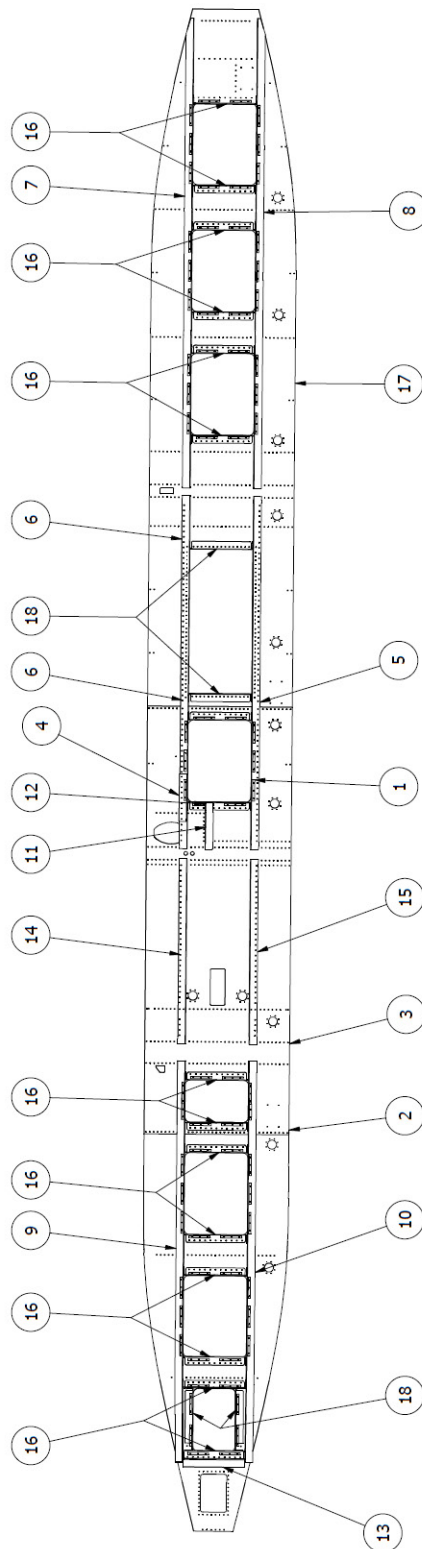
### SKIN ASSEMBLY, TOP DECK LEFT - FLOAT SERIAL NUMBERS 10309A & 10310A AND LATER



PARTS MANUAL  
10000 AMPHIBIAN FLOATS ON AT-802 & AT-802A - FIRE BOSS CONVERSION

ITEM	QTY	PART NO.	PART DESCRIPTION
-	1	1011707	ASSEMBLY, TOP SKIN, LEFT, 10000
1	1	1002042	SKIN, TOP, FWD, LEFT
2	1	1011670	BAGGAGE LIP, OBRD, FOAM TANK, 10000 FLOAT
3	1	1011673	BAGGAGE LIP, FOAM TANK, 10000 FLOAT
4	1	1011674	BAGGAGE LIP, FOAM TANK, 10000 FLOAT
5	15	1012317-01	CROSS TIE, TOP DECK
6	1	1012317-02	CROSS TIE, TOP DECK
7	1	1012317-03	CROSS TIE, TOP DECK
8	1	1012317-04	CROSS TIE, TOP DECK
9	1	1012317-05	CROSS TIE, TOP DECK
10	1	1012317-06	CROSS TIE, TOP DECK
11	1	1012317-09	CROSS TIE, TOP DECK
12	1	10A01150-179	SKIN, TOP, AFT, LEFT
13	1	10A01163-105	SKIN, TOP, MID, LEFT, 10000
14	1	10A01382-003	RAIL - TOP SKIN W/B
15	1	10A01382-019	RAIL, TOP MID W/B, LEFT
16	1	10A01382-020	RAIL, TOP MID W/B, RIGHT
17	1	10A01382-021	RAIL - TOP FWD W/B
18	1	10A01382-022	RAIL - TOP FWD W/B
19	1	10A01382-023	RAIL - TOP AFT W/B
20	1	10A01382-024	RAIL - TOP AFT W/B
21	1	10A01382-027	RAIL - TOP SKIN W/B
22	1	10A01382-030	ANGLE, CROSS TIE & TOP RAIL
23	1	10A01382-032	RAIL - TOP WHEEL WELL, RIGHT
24	1	10A01382-033	RAIL - TOP WHEEL WELL, LEFT
25	2	10A12277-003	HOUSE COUPLER
26	28	9A3-671	TINNERMAN, ACCESS COVER

### SKIN ASSEMBLY, TOP DECK LEFT - FLOAT SERIAL NUMBERS 10307A & 10308A AND PRIOR



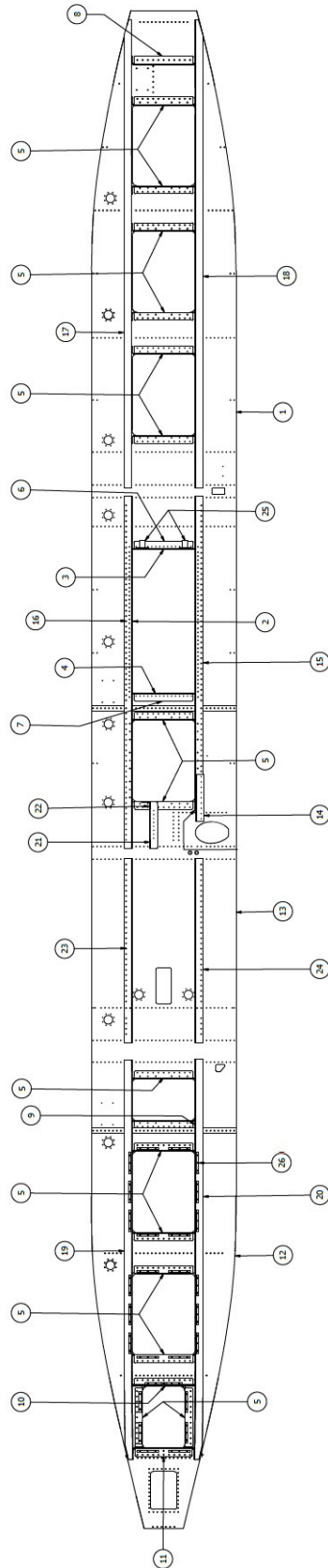
PARTS MANUAL

10000 AMPHIBIAN FLOATS ON AT-802 & AT-802A - FIRE BOSS CONVERSION

ITEM	QTY	PART NO.	PART DESCRIPTION
-	1	10A01000-419	SKIN ASSEMBLY, TOP LT
1	76	9A3-671	TINNERMAN, ACCESS COVER
2	1	10A01150-179	SKIN, TOP, AFT, LEFT
3	1	10A01163-105	SKIN, TOP, MID, LEFT, 10000
4	1	10A01382-003	RAIL - TOP SKIN W/B
5	1	10A01382-019	RAIL, TOP MID W/B, LEFT
6	1	10A01382-020	RAIL, TOP MID W/B, RIGHT
7	1	10A01382-021	RAIL - TOP FWD W/B
8	1	10A01382-022	RAIL - TOP FWD W/B
9	1	10A01382-023	RAIL - TOP AFT W/B
10	1	10A01382-024	RAIL - TOP AFT W/B
11	1	10A01382-027	RAIL - TOP SKIN W/B
12	1	10A01382-030	ANGLE, CROSS TIE & TOP RAIL
13	1	1012317	ANGLE - TOP SKIN CROSS TIE (10A01382-031 DISCONTINUED)
14	1	10A01382-032	RAIL - TOP WHEEL WELL, RIGHT
15	1	10A01382-033	RAIL - TOP WHEEL WELL, LEFT
16	16	1012317	ANGLE - TOP SKIN CROSS TIE (13A01382-006 DISCONTINUED)
17	1	1002042	SKIN, TOP, FWD, LEFT
18	4	1012317	ANGLE - TOP SKIN CROSS TIE (1003425 DISCONTINUED)



### SKIN ASSEMBLY, TOP DECK RIGHT - FLOAT SERIAL NUMBERS 10309A & 10310A AND LATER

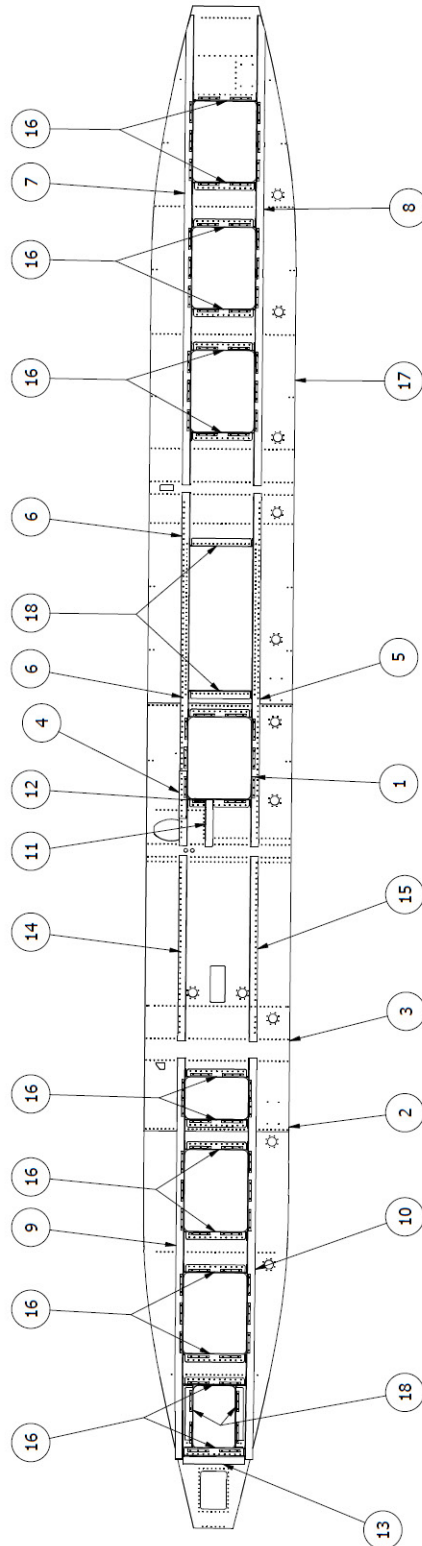


PARTS MANUAL

10000 AMPHIBIAN FLOATS ON AT-802 & AT-802A - FIRE BOSS CONVERSION

ITEM	QTY	PART NO.	PART DESCRIPTION
-	1	1011708	ASSEMBLY, TOP SKIN, RIGHT, 10000
1	1	1002043	SKIN, TOP, FWD, RIGHT
2	1	1011670	BAGGAGE LIP, OBRD, FOAM TANK, 10000 FLOAT
3	1	1011673	BAGGAGE LIP, FOAM TANK, 10000 FLOAT
4	1	1011674	BAGGAGE LIP, FOAM TANK, 10000 FLOAT
5	15	1012317-01	CROSS TIE, TOP DECK
6	1	1012317-02	CROSS TIE, TOP DECK
7	1	1012317-03	CROSS TIE, TOP DECK
8	1	1012317-04	CROSS TIE, TOP DECK
9	1	1012317-05	CROSS TIE, TOP DECK
10	1	1012317-06	CROSS TIE, TOP DECK
11	1	1012317-09	CROSS TIE, TOP DECK
12	1	10A01150-164	SKIN, TOP, AFT, RIGHT
13	1	10A01163-108	SKIN, TOP, MID, RIGHT, 10000
14	1	10A01382-004	RAIL - TOP SKIN W/B
15	1	10A01382-019	RAIL, TOP MID W/B, LEFT
16	1	10A01382-020	RAIL, TOP MID W/B, RIGHT
17	1	10A01382-021	RAIL - TOP FWD W/B
18	1	10A01382-022	RAIL - TOP FWD W/B
19	1	10A01382-023	RAIL - TOP AFT W/B
20	1	10A01382-024	RAIL - TOP AFT W/B
21	1	10A01382-026	RAIL - TOP SKIN W/B
22	1	10A01382-030	ANGLE, CROSS TIE & TOP RAIL
23	1	10A01382-032	RAIL - TOP WHEEL WELL, RIGHT
24	1	10A01382-033	RAIL - TOP WHEEL WELL, LEFT
25	2	10A12277-003	HOUSE COUPLER
26	28	9A3-671	TINNERMAN, ACCESS COVER

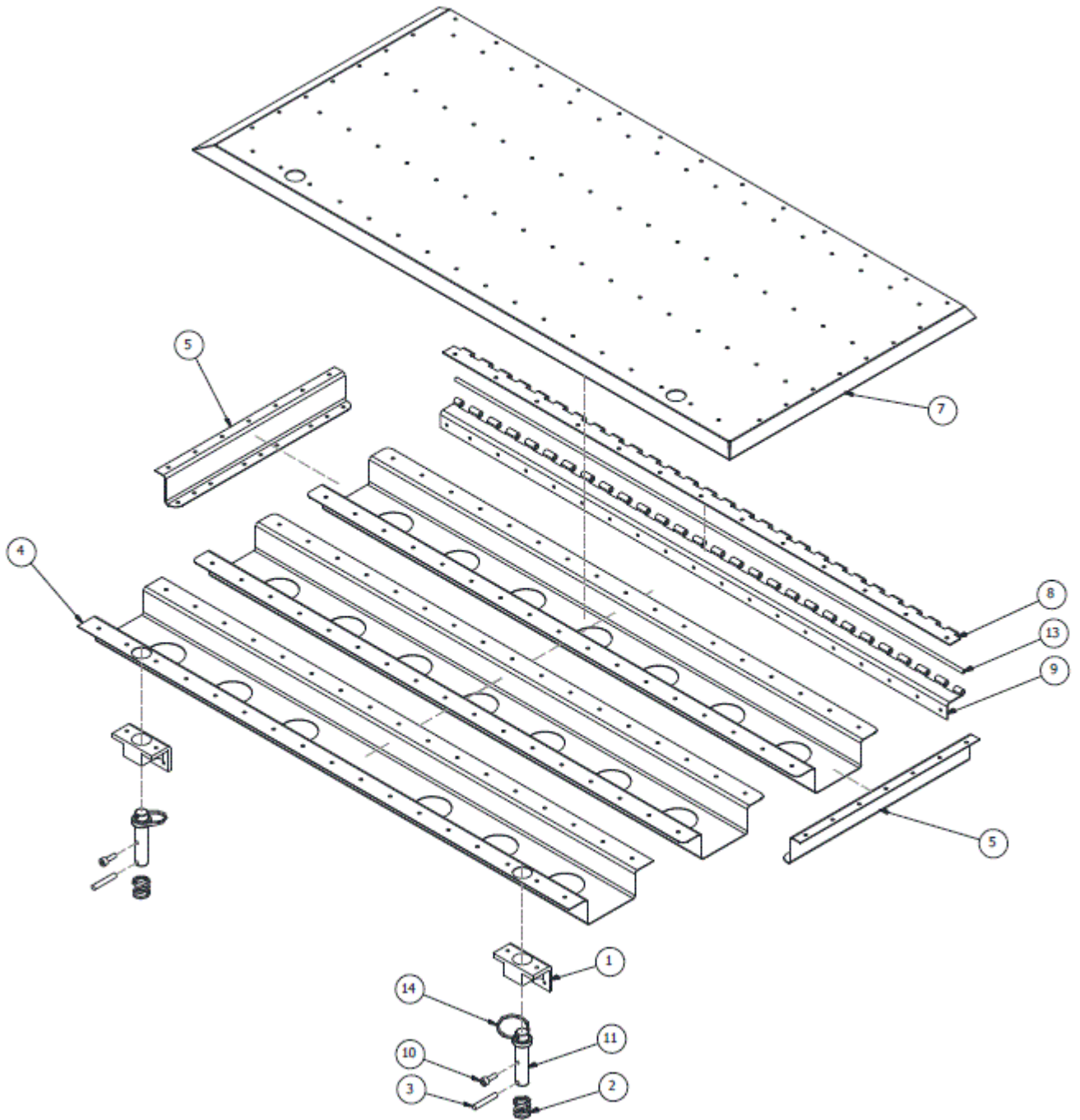
### SKIN ASSEMBLY, TOP DECK RIGHT - FLOAT SERIAL NUMBERS 10307A & 10308A AND PRIOR



PARTS MANUAL  
10000 AMPHIBIAN FLOATS ON AT-802 & AT-802A - FIRE BOSS CONVERSION

ITEM	QTY	PART NO.	PART DESCRIPTION
-	1	10A01000-414	SKIN ASSEMBLY, TOP LT
1	76	9A3-671	TINNERMAN, ACCESS COVER
2	1	10A01150-164	SKIN, TOP, AFT, RIGHT
3	1	10A01163-108	SKIN, TOP, MID, RIGHT, 10000
4	1	10A01382-004	ANGLE, TOP RAIL MOD.
5	1	10A01382-019	RAIL, TOP MID W/B, LEFT
6	1	10A01382-020	RAIL, TOP MID W/B, RIGHT
7	1	10A01382-021	RAIL - TOP FWD W/B
8	1	10A01382-022	RAIL - TOP FWD W/B
9	1	10A01382-023	RAIL - TOP AFT W/B
10	1	10A01382-024	RAIL - TOP AFT W/B
11	1	10A01382-026	ANGLE, TOP RAIL (RIGHT)
12	1	10A01382-030	ANGLE, CROSS TIE & TOP RAIL
13	1	1012317	ANGLE - TOP SKIN CROSS TIE (10A01382-031 DISCONTINUED)
14	1	10A01382-032	RAIL - TOP WHEEL WELL, RIGHT
15	1	10A01382-033	RAIL - TOP WHEEL WELL, LEFT
16	16	1012317	ANGLE - TOP SKIN CROSS TIE (13A01382-006 DISCONTINUED)
17	1	1002048	SKIN, TOP, FWD, RIGHT
18	4	1012317	ANGLE - TOP SKIN CROSS TIE (1003425 DISCONTINUED)

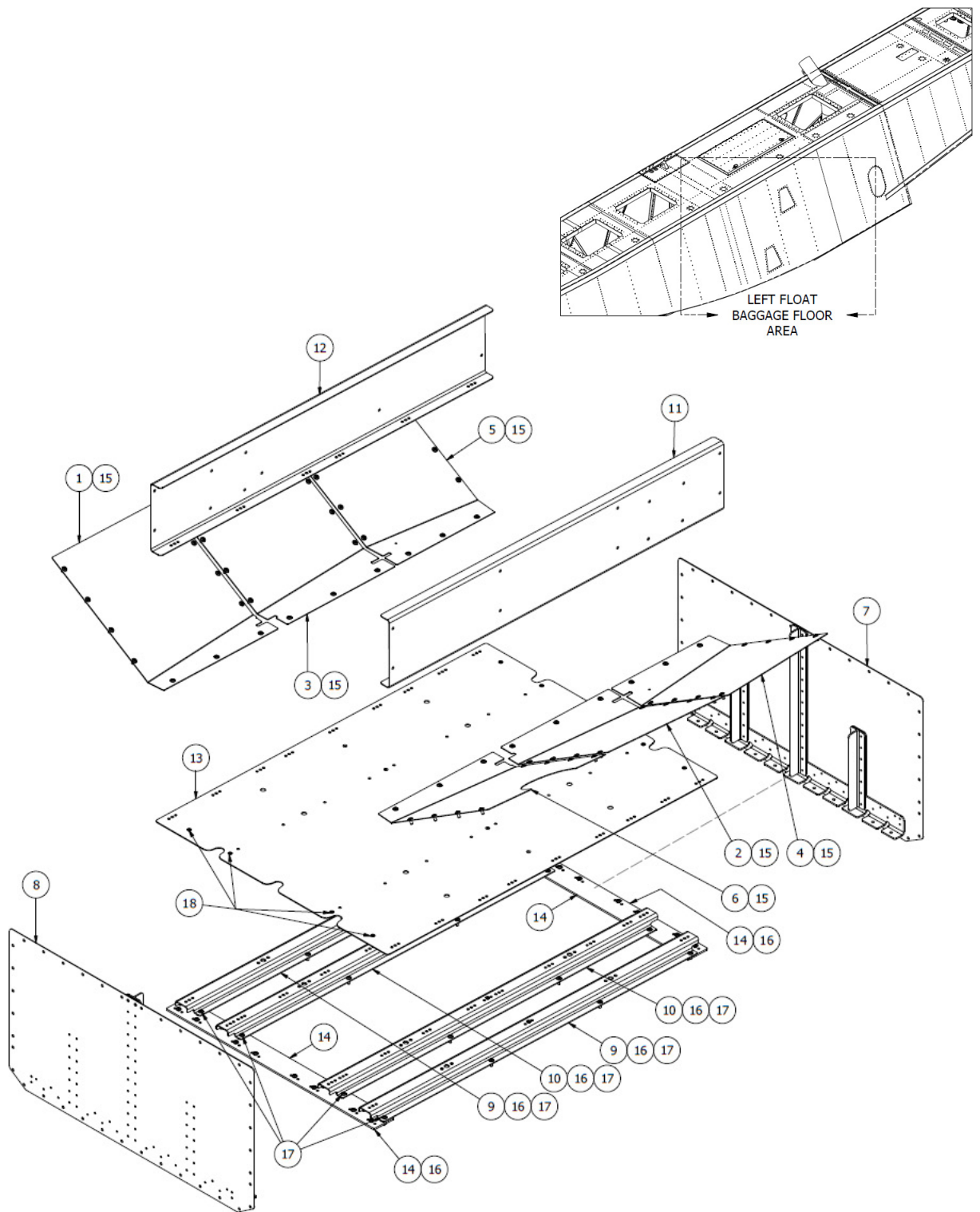
### BAGGAGE DOOR ASSEMBLY DETAIL A



PARTS MANUAL  
10000 AMPHIBIAN FLOATS ON AT-802 & AT-802A - FIRE BOSS CONVERSION

ITEM	QTY	PART NO.	PART DESCRIPTION
1	2	3A01206-001	RETAINER – BAGGAGE COMPARTMENT LOCK
2	2	3A01525-003	SPRING, BAGGAGE COVER
3	2	3A01702-004	PIN, LOCK
4	1	4A01004-048	STIFFENER, BAGGAGE, COVER
5	2	4A01004-049	STIFFENER, END CAP, BAGGAGE
6	2	4A01004-067	STIFFENER, BAGGAGE DOOR
7	1	4A01162-001	COVER, BAGGAGE, 13-1/4 X 28-7/8
8	1	4A01740-005	HINGE, BAGGAGE COVER, 1/4"
9	1	4A01741-003	HINGE, BAGGAGE COVER, 1.5"
10	2	10/32 X 1/2 SS	SCREW, BAGGAGE
11	2	13A01273-016	PIN, LATCH, BAGGAGE DOOR
12	18	01692-0410	RIVET, POP, 1/8"
13	1	1002186	HINGE, PIN/ROD
14	2	1002663	RING
15	1	1009671	GASKET, DOOR SEAL (NOT SHOWN)

## BAGGAGE FLOOR LEFT AND RIGHT FLOATS



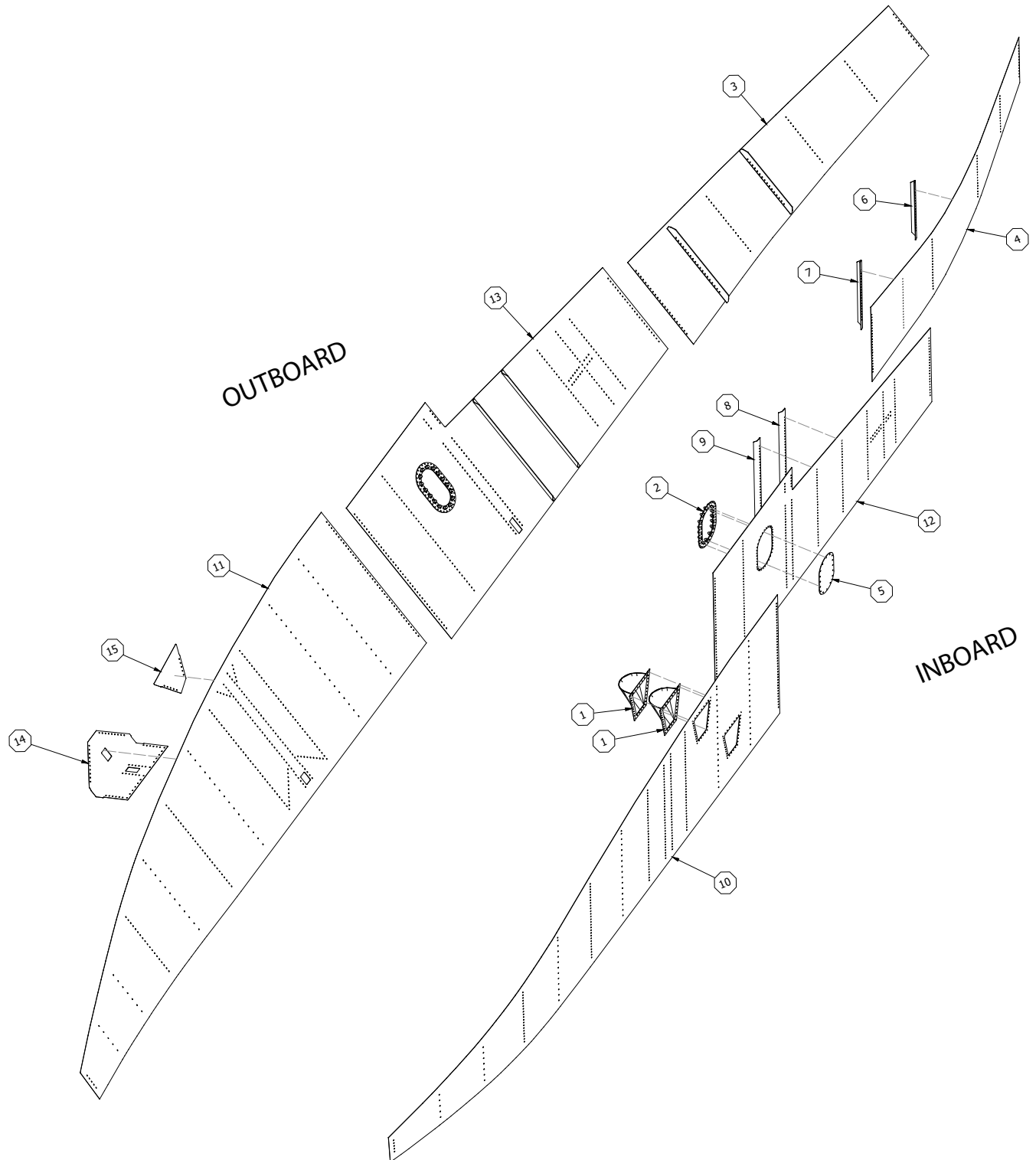
BAGGAGE FLOOR  
LEFT FLOAT

PARTS MANUAL  
10000 AMPHIBIAN FLOATS ON AT-802 & AT-802A - FIRE BOSS CONVERSION

ITEM	QTY	PART NO.	PART DESCRIPTION
1 LT.	1	1011523	FLOOR, SIDE, BAGGAGE, FWD, OB, LEFT FLOAT
1 RT.	1	1011539	FLOOR, SIDE, BAGGAGE, FWD, OB, RIGHT FLOAT
2	1	1011524	FLOOR, SIDE, BAGGAGE, MID
3	1	1011525	FLOOR, SIDE, BAGGAGE, MID
4	1	1011526	FLOOR, SIDE, BAGGAGE, AFT
5	1	1011527	FLOOR, SIDE, BAGGAGE, AFT
6 LT.	1	1011538	FLOOR, SIDE, BAGGAGE, FWD, OB, LEFT FLOAT
6 RT.	1	1011522	FLOOR, SIDE, BAGGAGE, FWD, OB, RIGHT FLOAT
7	1	1011654	ASSEMBLY, COVER, BULKHEAD #14
8	1	1011655	ASSEMBLY, COVER, BULKHEAD, #9
9	2	1011662	ASSEMBLY, HAT CHANNEL, FLOOR SUPPORT, BAGGAGE, 10000
10	2	1011664	ASSEMBLY, HAT CHANNEL, TANK COVER SUPPORT, 10000
11	1	1011668	ASSEMBLY, BACK STOP, TANK COVER, LEFT, 10000
12	1	1011669	ASSEMBLY, BACK STOP, TANK COVER, RIGHT, 10000
13	1	1011688	ASSEMBLY, FLOOR, MAIN, BAGGAGE, 10000
14	2	1011743	ASSEMBLY, MOUNTING PLATE, BH COVERS, 10000
15	66	AN525-832R6	SCREW, WASHER HEAD
16	40	AN525-832R8	SCREW, WASHER HEAD
17	8	AN525-832R10	SCREW, WASHER HEAD
18	12	MS24694S4	SCREW, COUNTERSUNK 100 DEGREES



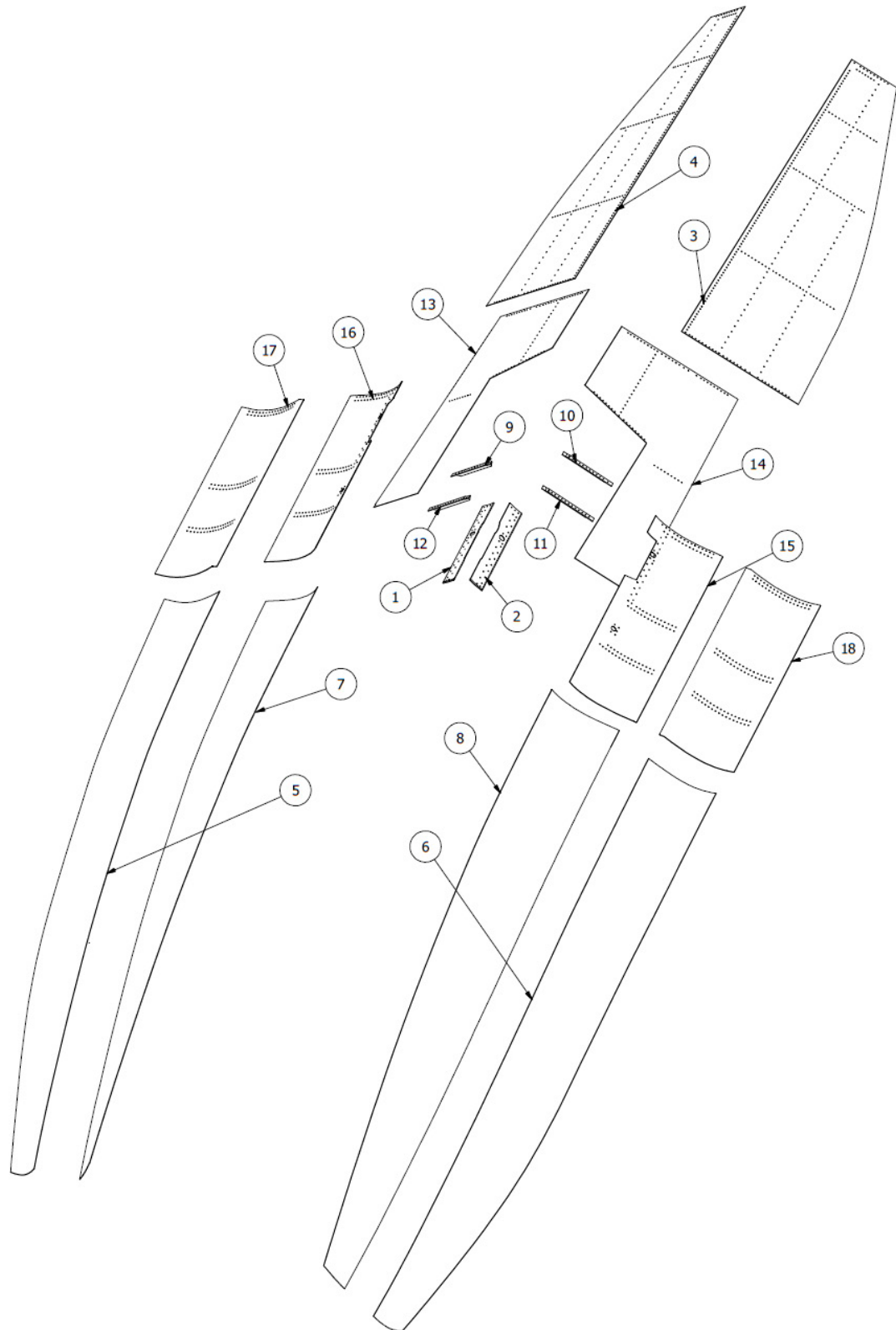
### SIDE SKINS & STIFFENERS LEFT AND RIGHT FLOATS



PARTS MANUAL  
10000 AMPHIBIAN FLOATS ON AT-802 & AT-802A - FIRE BOSS CONVERSION

ITEM	QTY	PART NO.	PART DESCRIPTION
1	4	3A01000-005	WELDMENT, STEP POCKET, FLAT SURFACE
2	4	10A01000-450	COVER REINFORCEMENT, SIDE ASSEMBLY
3	2	10A01150-167	SKIN, SIDE, AFT, LEFT, 10000
4	2	10A01150-172	SKIN, SIDE, AFT, RIGHT, 10000
5	4	10A01163-115	COVER, SIDE
6	2	1001164	STIFFENER, REAR, AFT SIDESKIN 10000
7	2	1001165	STIFFENER, FRONT, AFT SIDESKIN 10000
8	4	1001166	STIFFENER, REAR, MID SIDESKIN 10000
9	4	1001167	STIFFENER, FRONT, MID SIDESKIN 10000
10 RT.	1	1002150	SKIN, SIDE, FWD, OUTBOARD, RIGHT
10 LT.	1	1002046	SKIN, SIDE, FWD, OUTBOARD, LEFT
11 RT.	1	1002151	SKIN, SIDE, FWD, INBOARD, RIGHT
11 LT.	1	1002044	SKIN, SIDE, FWD, INBOARD, LEFT
12 RT.	1	1007942	SKIN, SIDE, MID, OUTBOARD, RH, 10000
12 LT.	1	1007941	SKIN, SIDE, MID, OUTBOARD, LH, 10000
13 RT.	1	1007944	SKIN, SIDE, MID, INBOARD, RH, 10000
13 LT.	1	1007943	SKIN, SIDE, MID, INBOARD, LH, 10000
14 RT.	1	1011108	DOUBLER, STRUT ATTACH POINT, FWD, TOP, RF, 10000 (S/N 10213A/10214A AND LATER)
14 LT.	1	1011107	DOUBLER, STRUT ATTACH POINT, FWD, TOP, LF, 10000 (S/N 10213A/10214A AND LATER)
15 RT.	1	1011110	DOUBLER, STRUT ATTACH POINT, FWD, BOTTOM, RF, 10000 (S/N 10213A/10214A AND LATER)
15 LT.	1	1011109	DOUBLER, STRUT ATTACH POINT, FWD, BOTTOM, LF, 10000 (S/N 10213A/10214A AND LATER)

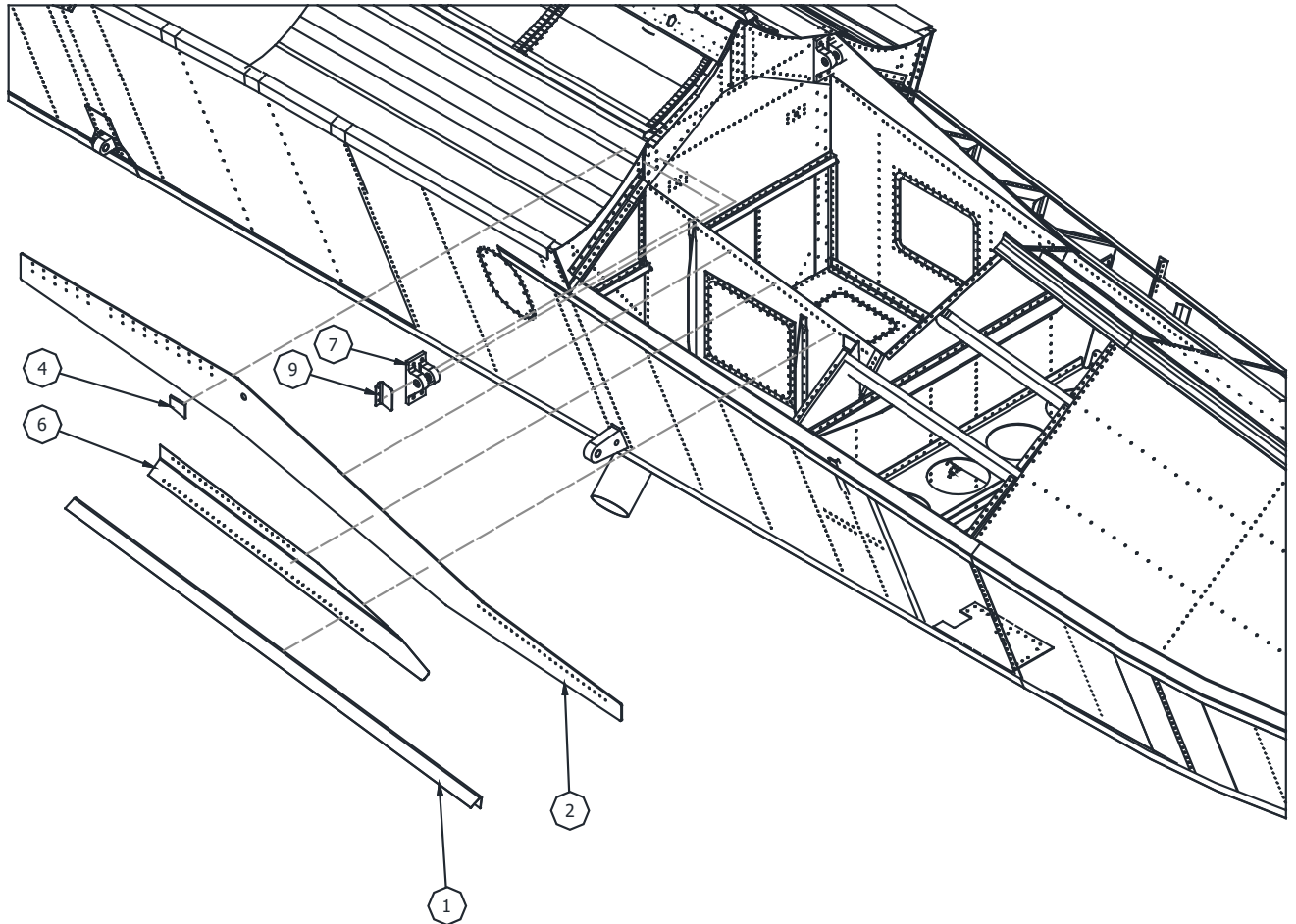
### BOTTOM SKINS & STIFFENERS



PARTS MANUAL  
10000 AMPHIBIAN FLOATS ON AT-802 & AT-802A - FIRE BOSS CONVERSION

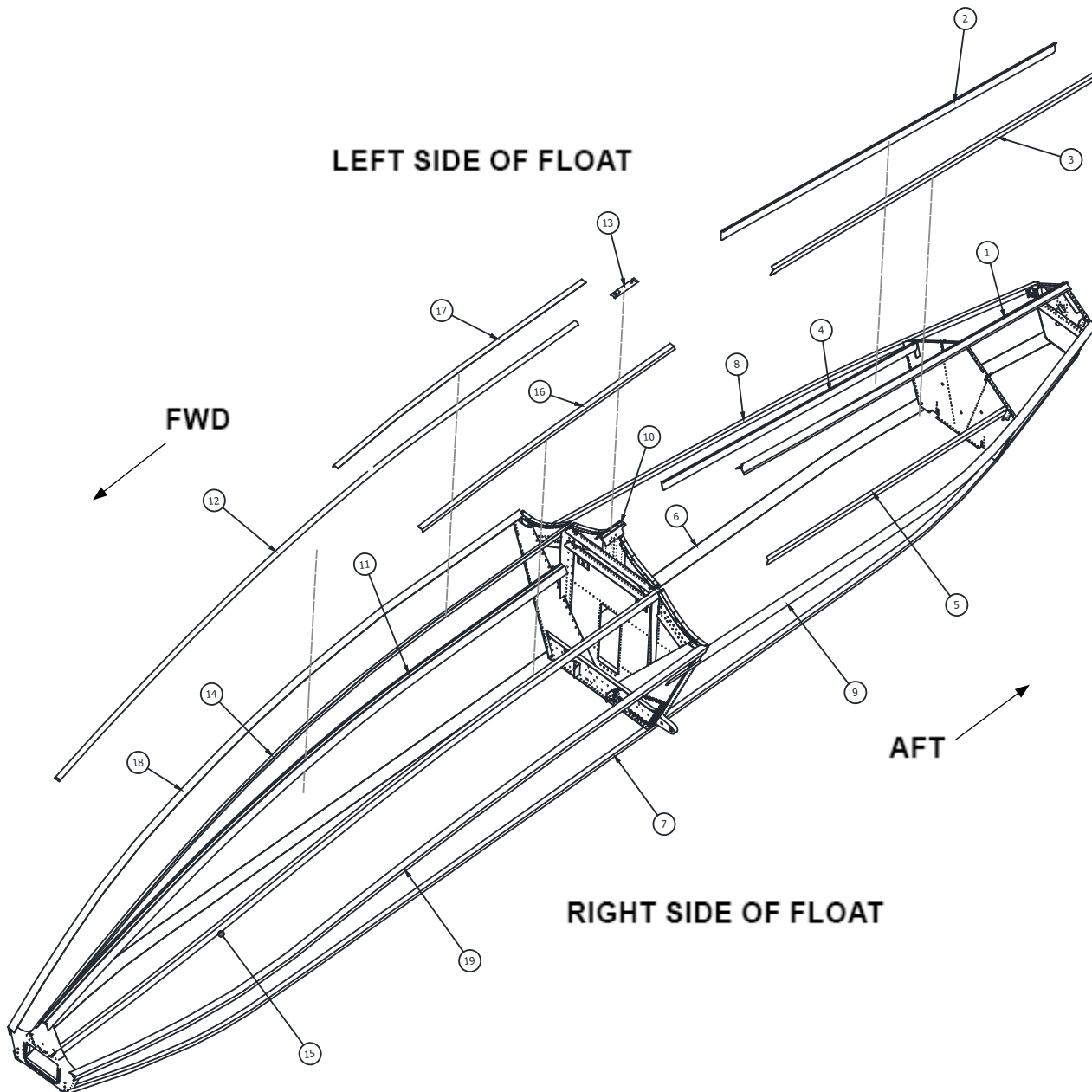
ITEM	QTY	PART NO.	PART DESCRIPTION
1	1	10A01001-072	DOUBLER, SCOOP TUNNEL, LEFT
2	1	10A01001-073	DOUBLER, SCOOP TUNNEL, RIGHT
3	1	10A01158-265	SKIN-BOTTOM, AFT, LT, 10000 FLOAT
4	1	10A01158-266	SKIN-BOTTOM, AFT, RT, 10000 FLOAT
5	1	13A01153-013	SKIN, BOTTOM, UPPER, LEFT
6	1	13A01153-014	SKIN, BOTTOM, UPPER, RIGHT
7	1	13A01163-043	SKIN, BOTTOM, LOWER, LEFT
8	1	13A01163-044	SKIN, BOTTOM, LOWER, RIGHT
9	1	13A01359-175	STIFFENER - AFT SKIN - AFT LEFT
10	1	13A01359-176	STIFFENER - AFT SKIN - AFT RIGHT
11	1	13A01359-177	STIFFENER - AFT SKIN - FWD LEFT
12	1	13A01359-178	STIFFENER - AFT SKIN - FWD RIGHT
13	1	1007945	SKIN, BOTTOM, AFT FWD, LEFT, 10000
14	1	1007946	SKIN, BOTTOM, AFT FWD, RIGHT, 10000
15	1	1011386	SKIN, BOTTOM, FWD SPLICE, LOWER, RH
16	1	1011387	SKIN, BOTTOM, FWD SPLICE, LOWER, LH
17	1	1011700	SKIN, BOTTOM, SPLICE, UPPER, LH
18	1	1011701	SKIN, BOTTOM, SPLICE, UPPER, RH

## WHEEL WELL STEP AREA LEFT AND RIGHT FLOATS



ITEM	QTY	PART NO.	PART DESCRIPTION
1	4	6A01008-070	ANGLE, CARRY THUR INSIDE
2	4	13A01001-035	STRAP-CARRYTHRU
3	2	13A01160-017	SPACER CARRY THRU STRAP #17 B
4	2	13A01160-018	SPACER CARRY THRU STRAP #17 B
5	2	13A01162-013	ANGLE, CARRY THRU OUTER LT.
6	2	13A01162-014	ANGLE, CARRY THRU OUTER RT.
7	2	13A04030-002	ASSEMBLY, TRUNION, DRAG BRACE, RIGHT
8	2	13A04030-003	ASSEMBLY, TRUNION, DRAG BRACE, LEFT
9	2	1008721	ANGLE, SISTER KEEL ATTACH
10	2	1008722	ANGLE, SISTER KEEL ATTACH

### EXTRUSIONS HULL - CHINES



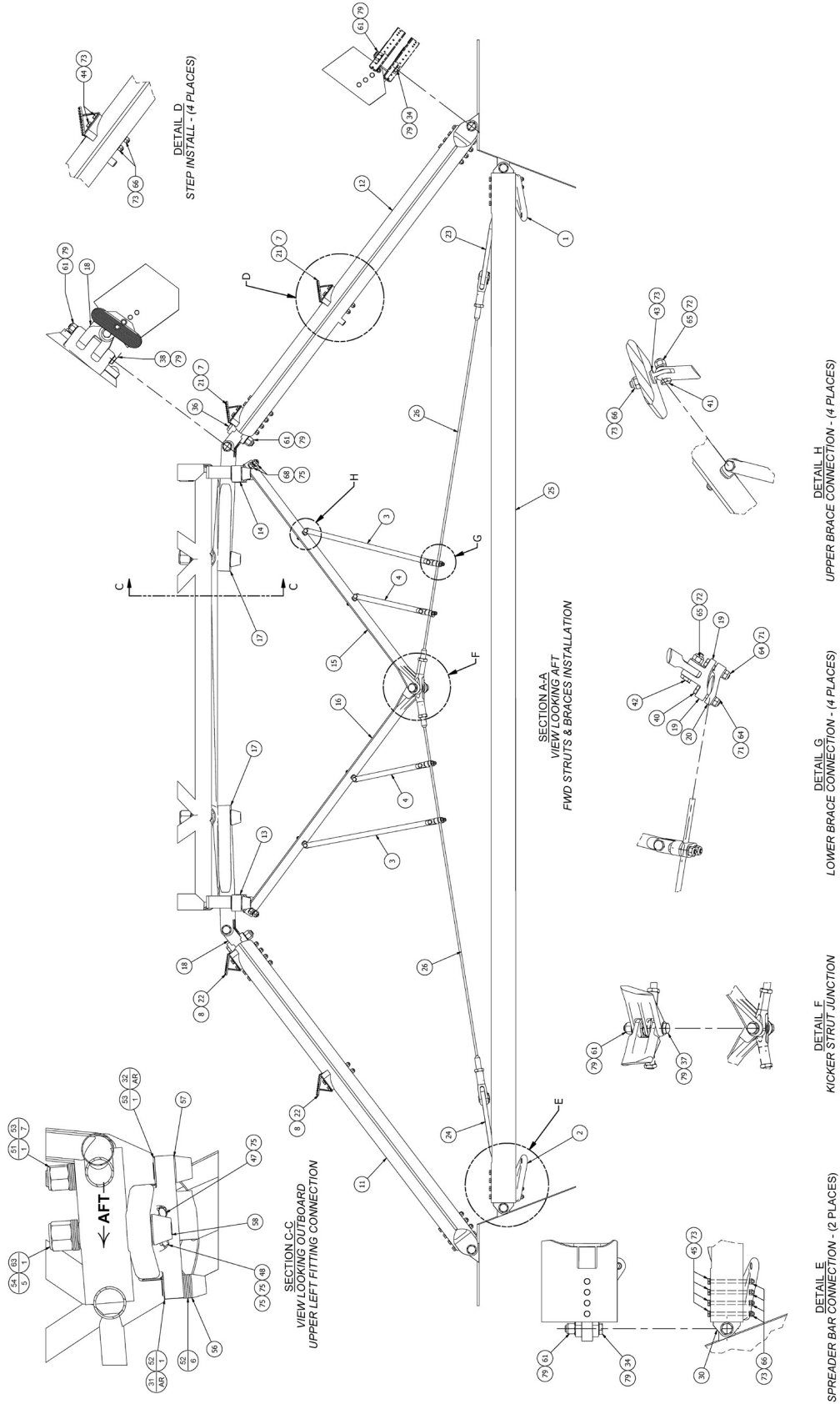
LEFT FLOAT SHOWN (UPSIDE DOWN)

## PARTS MANUAL

## 10000 AMPHIBIAN FLOATS ON AT-802 &amp; AT-802A - FIRE BOSS CONVERSION

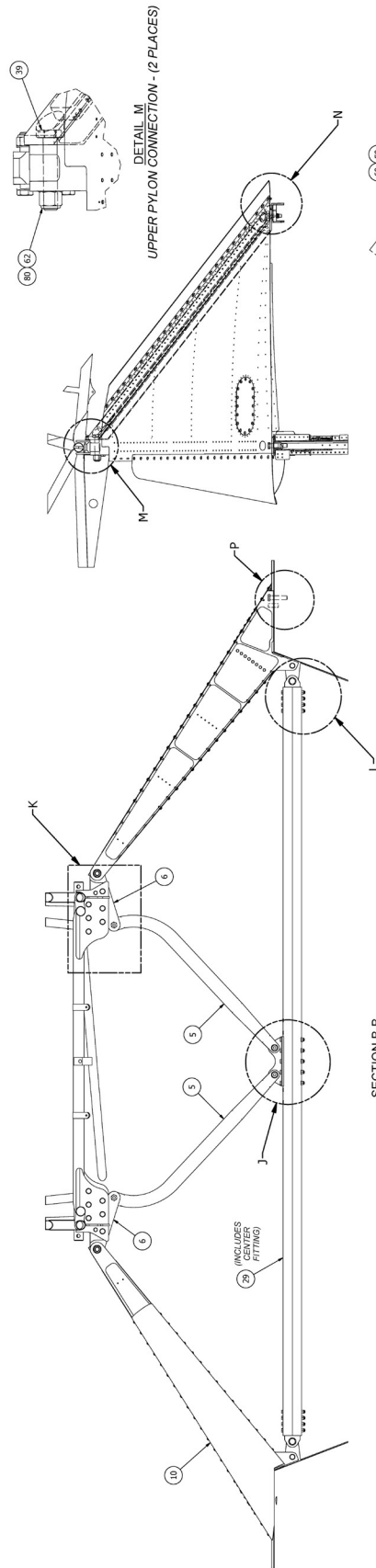
ITEM	QTY	PART NO.	PART DESCRIPTION
1	1	10A01328-002	KEEL - AFTERBODY
2	1	10A01383-047	SISTER KEEL - AFT INBD. ON R/H FLOAT OTBD ON L/H FLOAT
3	1	10A01383-048	SISTER KEEL - AFT INBD. ON L/H FLOAT OTBD ON R/H FLOAT.
4	1	10A01383-049	SISTER KEEL AFT OTBD ON R/H FLOAT INBD ON L/H FLOAT
5	1	10A01383-050	SISTER KEEL AFT OTBD ON L/H FLOAT INBD ON R/H FLOAT
6	1	10A01384-003	GUNWALL LT.
7	1	10A01384-004	GUNWALL RT.
8	1	10A01386-003	CHINE - AFTERBODY LT.
9	1	10A01386-004	CHINE - AFTERBODY RT.
10	1	10A01387-002	END - MAIN KEEL - WATER BOMBER
11	1	10A01387-003	MAIN KEEL - WATER BOMBER
12	1	10A01388-002	WEAR STRIP - WATER BOMBER
13	1	10A01388-003	WEAR STRIP - AFT - WATER BOMBER
14	1	1001703	INNER SISTER KEEL FORWARD LT.
15	1	1001704	INNER SISTER KEEL FORWARD RT.
16	1	1001781	SISTER KEEL OUTSIDE LT.
17	1	1001782	SISTER KEEL OUTSIDE RT.
18	1	1003515	CHINE - FORWARD LT.
19	1	1003516	CHINE - FORWARD RT.

# STRUTS, FRONT, REAR, & STEPS

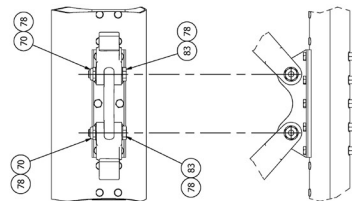




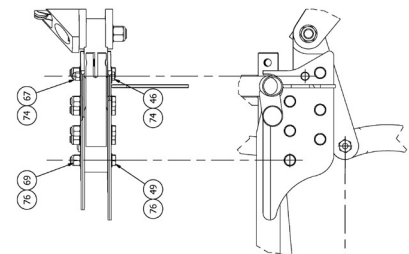
PARTS MANUAL  
 10000 AMPHIBIAN FLOATS ON AT-802 & AT-802A - FIRE BOSS CONVERSION



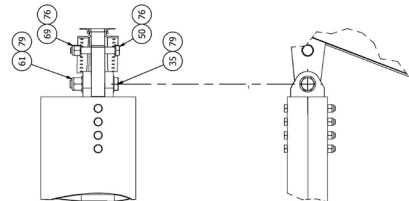
SECTION B-B  
 VIEW, LOOKING AFT  
 MAIN PYLONS & KICKER STRUT INSTALLATION



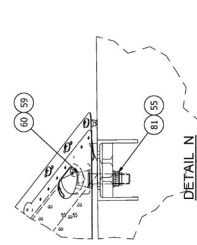
DETAIL J  
 KICKER STRUT JUNCTION



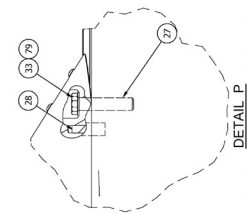
DETAIL K  
 MAIN FITTING BOLTS - (2 PLACES)



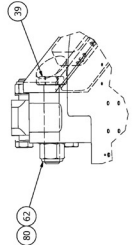
DETAIL L  
 SPREADER BAR CONNECTION - (2 PLACES)



DETAIL N  
 DRAG STRUT LOWER CONNECTION - (2 PLACES)



DETAIL P  
 MAIN STRUT LOWER CONNECTION - (2 PLACES)



DETAIL M  
 UPPER PYLON CONNECTION - (2 PLACES)

PARTS MANUAL  
10000 AMPHIBIAN FLOATS ON AT-802 & AT-802A - FIRE BOSS CONVERSION

ITEM	QTY	PART NO.	PART DESCRIPTION
1	1	1001763	10000 TOW LUG, LEFT
2	1	1001764	10000 TOW LUG, RIGHT
3	2	1002002	BRACE - LONG - FORWARD - FLYWIRE
4	2	1002003	BRACE - SHORT - FORWARD - FLYWIRE
5	2	1002212	ASSY, KICKER STRUT, AT802
6	2	1002216	ASSY, FITTING, UPPER REAR, AT802
	4	13A02454-002	BUSHING - LIFT STRUT - CENTER
7	2	1008993	SPACER, STEP, LEFT, AT802
8	2	1008994	SPACER, STEP, RIGHT, AT802
9	1	1012302	ASS'Y. STRUT, MAIN, PYLON, 10000, LH (FOR FLOATS S/N 10305A & 10306A AND PRIOR, USE P/N 10A02000-245)
10	1	1012303	ASS'Y, STRUT, MAIN, PYLON, 10000, RH (FOR FLOATS S/N 10305A & 10306A AND PRIOR, USE P/N 10A02000-246)
11	1	10A02000-236	ASSEMBLY, STRUT, RIGHT
	1	10A02035-001	FITTING, LOWER, FRONT STRUT
	1	10A02056-016	FITTING - STRUT, UPPER, RH
	1	10A02335-006	STRUT - FRONT - 10000 FLOAT
	1	AN25-52A	BOLT, CLEVIS
	5	AN5-33A	BOLT, 5/16-24, 2.9690 GRIP, UNDRILLED, STEEL
	5	MS21044N5	NUT, LOCKING, REGULAR HEIGHT, 5/16-24 UNF
	1	MS21083N5	NUT, LOCKING, LOW HEIGHT, 5/16-24 UNF
	12	NAS1149F0532P	WASHER, 0.328 ID, 0.032 THK, STEEL
12	1	10A02000-237	ASSEMBLY, STRUT, LEFT
	1	10A02035-001	FITTING, LOWER, FRONT STRUT
	1	10A02056-017	FITTING - UPPER, STRUT, LH
	1	10A02335-006	STRUT - FRONT - 10000 FLOAT
	1	AN25-52A	BOLT, CLEVIS
	5	AN5-33A	BOLT, 5/16-24, 2.9690 GRIP, UNDRILLED, STEEL
	5	MS21044N5	NUT, LOCKING, REGULAR HEIGHT, 5/16-24 UNF
	1	MS21083N5	NUT, LOCKING, LOW HEIGHT, 5/16-24 UNF
	12	NAS1149F0532P	WASHER, 0.328 ID, 0.032 THK, STEEL
13	1	10A02030-009	MOUNT, KICKER STRUT, UPPER
14	1	10A02030-010	MOUNT, KICKER STRUT, UPPER
15	1	10A02178-001	KICKER STRUT - FWD - LH
16	1	10A02178-002	KICKER STRUT - FWD - RH
17	2	10A02208-003	FITTING - UPPER FWD - FUSELAGE
18	2	10A02208-004	FITTING - UPPER FWD - STRUT
19	4	10A02216-003	CLAMP, UPPER FORWARD FLYWIRE
20	4	10A02216-004	CLAMP, LOWER FORWARD FLYWIRE
21	2	10A02350-021	STEP, FWD, LH, AT802
22	2	10A02350-022	STEP, FWD, RH, AT802

## PARTS MANUAL

## 10000 AMPHIBIAN FLOATS ON AT-802 &amp; AT-802A - FIRE BOSS CONVERSION

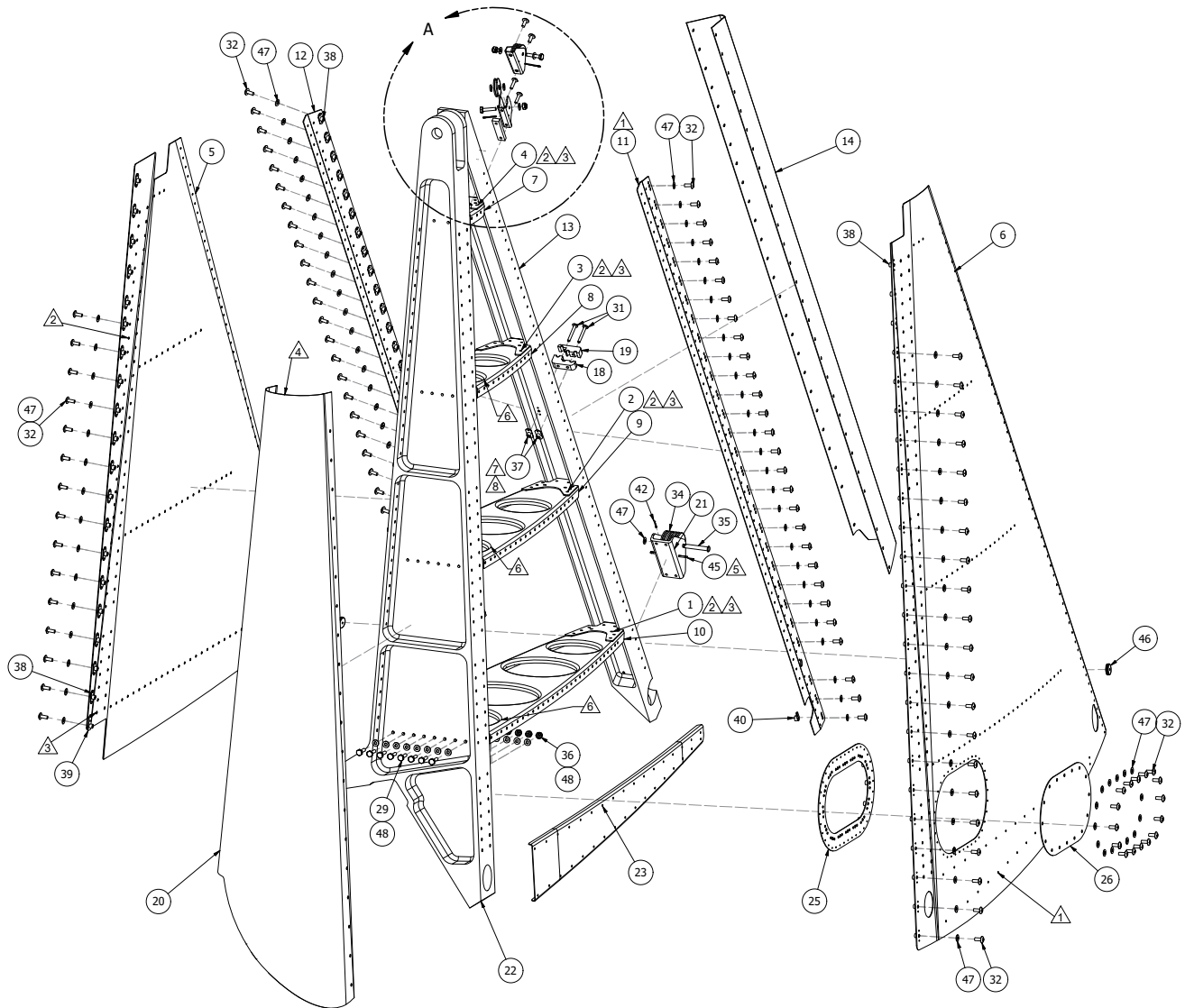
ITEM	QTY	PART NO.	PART DESCRIPTION
23	1	10A02571-003	FITTING, FRONT DRAG WIRE, LOWER, LH
24	1	10A02571-004	FITTING, FRONT DRAG WIRE, LOWER, RH
25	1	10A03335-007	SPREADER BAR, FORWARD
26	2	13A02000-079	ASSEMBLY, FLY WIRE, AN680AC-4838
27	2	13A02458-005	BARREL NUT, LOCKING
28	2	13A02518-003	PIN - MAIN STRUT
29	1	13A03000-020	ASSEMBLY, SPREADER BAR, AFT
	1	13A03000-022	ASS'Y FITTING - REAR SP. BAR - CENTER
	2	13A02454-003	BUSHING - LIFT STRUT - CENTER
	2	1011600	FITTING - REAR SPREADER BAR - ATTACH
	1	13A03335-005	SPREADER BAR - REAR
	1	13A03390-003	SPACER, REAR SPREADER BAR
	8	AN6-34A	BOLT
	18	MS21044N6	NUT
	8	MS90354U10-07	RIVET, HUCK, PROTRUDING HEAD, BLIND FASTENER
	26	NAS1149D0616J	WASHER
	10	AN6-35A	BOLT
30	2	1012547	FITTING FRONT SPEADER BAR
31	8	3088A325	SHIM, .875 ID, 1.375 OD, .010 THK, STEEL
32	8	3088A326	SHIM, 1.0 ID, 1.5 OD, .010 THK, STEEL
33	2	AN10-25A	BOLT, 5/8-18, 1.8125 GRIP, UNDRILLED, STEEL
34	4	AN10-30A	BOLT, 5/8-18, 2.1875 GRIP, UNDRILLED, STEEL
35	2	AN10-31A	BOLT, 5/8-18, 2.3125 GRIP, UNDRILLED, STEEL
36	2	AN10-32A	BOLT, 5/8-18, 2.4375 GRIP, UNDRILLED, STEEL
37	1	AN10-37A	BOLT, 5/8-18, 3.0625 GRIP, UNDRILLED, STEEL
38	2	AN10-65A	BOLT, 5/8-18, 5.8125 GRIP, UNDRILLED, STEEL
39	2	AN12-36A	BOLT, 3/4-16, 2.8125 GRIP, UNDRILLED, STEEL
40	8	AN3-11A	BOLT, 10-32, 0.75 GRIP, UNDRILLED, STEEL
41	4	AN4-10A	BOLT, 1/4-28, 0.5625 GRIP, UNDRILLED, STEEL
42	4	AN4-12A	BOLT, 1/4-28, 0.8125 GRIP, UNDRILLED, STEEL
43	4	AN44-10A	EYE BOLT
44	8	AN5-36A	BOLT, 5/16-24, 3.3125 GRIP, UNDRILLED, STEEL
45	8	AN5-40A	BOLT, 5/16-24, 3.5625 GRIP, UNDRILLED, STEEL
46	2	AN6-27A	BOLT, 3/8-24, 2.3125 GRIP, UNDRILLED, STEEL
47	2	AN7-26A	BOLT, 7/16-20, 2.1875 GRIP, UNDRILLED, STEEL
48	2	AN7-32A	BOLT, 7/16-20, 2.6875 GRIP, UNDRILLED, STEEL
49	12	AN8-30A	BOLT, 1/2-20, 2.3125 GRIP, UNDRILLED, STEEL
50	2	AN8-32A	BOLT, 1/2-20, 2.5625 GRIP, UNDRILLED, STEEL
51	2	MS21044N16	NUT, LOCKING, REGULAR HEIGHT, 3/4-16 UNF
52	16	MS20002-14	WASHER, HIGH STRENGTH, PLAIN, 7/8
53	16	MS20002-16	WASHER, HIGH STRENGTH, PLAIN, 1 IN

PARTS MANUAL  
10000 AMPHIBIAN FLOATS ON AT-802 & AT-802A - FIRE BOSS CONVERSION

ITEM	QTY	PART NO.	PART DESCRIPTION
54	10	MS20002-18	WASHER, HIGH STRENGTH, PLAIN, 1-1/8
55	2	MS20002-8	WASHER, HIGH STRENGTH, PLAIN, 1/2
56	2	MS20002C14	WASHER, HIGH STRENGTH, COUNTERSINK, 7/8
57	2	MS20002C16	WASHER, HIGH STRENGTH, COUNTERSINK, 1IN
58	2	MS20002C18	WASHER, HIGH STRENGTH, COUNTERSINK, 1-1/8
59	2	MS20002C8	WASHER, HIGH STRENGTH, COUNTERSINK, 1/2
60	2	MS20008-20	BOLT, INTERNAL WRENCHING (FLOAT S/N 10291A AND LATER)
	2	MS20008-15	BOLT, INTERNAL WRENCHING (FLOAT S/N 10290A AND PRIOR)
61	11	MS21044N10	NUT, LOCKING, REGULAR HEIGHT, 5/8-18 UNF
62	2	MS21044N12	NUT, LOCKING, REGULAR HEIGHT, 3/4-16 UNF
63	2	MS20365-1812	NUT, LOCKING, REGULAR HEIGHT, 1-1/8 – 12 UNF
64	8	MS21044N3	NUT, LOCKING, REGULAR HEIGHT, 10-32 UNF
65	8	MS21044N4	NUT, LOCKING, REGULAR HEIGHT, 1/4-28 UNF
66	20	MS21044N5	NUT, LOCKING, REGULAR HEIGHT, 5/16-24 UNF
67	2	MS21044N6	NUT, LOCKING, REGULAR HEIGHT, 3/8-24 UNF
68	4	MS21044N7	NUT, LOCKING, REGULAR HEIGHT, 7/16-20 UNF
69	14	MS21044N8	NUT, LOCKING, REGULAR HEIGHT, 1/2-20 UNF
70	4	MS21083N9	NUT, LOCKING, LOW HEIGHT, 9/16-18 UNF
71	8	NAS1149F0363P	WASHER, 0.203 ID, 0.063 THK, STEEL
72	8	NAS1149F0463P	WASHER, 0.265 ID, 0.063 THK, STEEL
73	40	NAS1149F0563P	WASHER, 0.328 ID, 0.063 THK, STEEL
74	4	NAS1149F0663P	WASHER, 0.39 ID, 0.063 THK, STEEL
75	10	NAS1149F0763P	WASHER, 0.453 ID, 0.063 THK, STEEL
76	28	NAS1149F0863P	WASHER, 0.515 ID, 0.063 THK, STEEL
77	2	NAS1149F0932P	WASHER, 0.578 ID, .032 THK, STEEL
78	4	NAS1149F0963P	WASHER, 0.578 ID, .063 THK, STEEL
79	22	NAS1149F1063P	WASHER, 0.64 ID, 0.063 THK, STEEL
80	2	NAS1149F1232P	WASHER, 0.765 ID, 0.032 THK, STEEL
81	2	NAS1805-8	NUT, 1/2-20, SELF LOCKING, DOUBLE HEX, SST
82	2	NAS6209-26	BOLT, CLOSE TOL, 9/16-18 UNF, 1.625 GRIP, UNDRILLED, STEEL
83	2	NAS6209-31	BOLT, CLOSE TOL, 9/16-18 UNF, 1.938 GRIP, UNDRILLED, STEEL

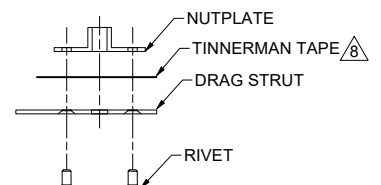
## LEFT PYLON ASSEMBLY

### FLOAT SERIAL NUMBERS 10307A & 10308A AND LATER

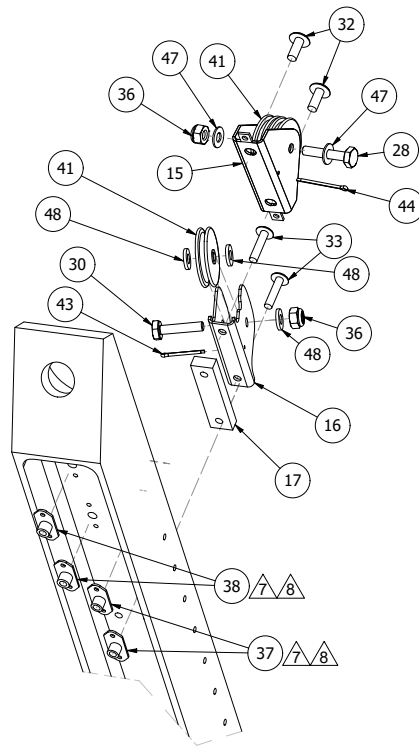


**NOTES:**

- ▲ USE MS20470-4 RIVETS
- ▲ USE MS20470-5 RIVETS
- ▲ USE MS20470-6 RIVETS
- ▲ USE TRIM TEMPLATE 10A02000-245 TO TRIM TOP OF FAIRING FOR FILL TUBE
- ▲ TRIM COTTER PIN .25" BOTH SIDES AND BEND OVER FOR CLEARANCE
- ▲ DRILL 5 EXTRA HOLES FOR NUTPLATES USING 10A02000-245\_DRILL TOOL ON BOTTOM SKIN (IMAGE IS VISUAL REFERENCE ONLY)
- ▲ INSTALL 52-465-B TO FORWARD LIGHTENING HOLES ON THE 3 BOTTOM RIBS
- ▲ USE MS20426-3 RIVETS
- ▲ INSTALL TINNERMAN TAPE BETWEEN NUTPLATES AND DRAG STRUT



PARTS MANUAL  
10000 AMPHIBIAN FLOATS ON AT-802 & AT-802A - FIRE BOSS CONVERSION



DETAIL A  
SCALE 1 / 2

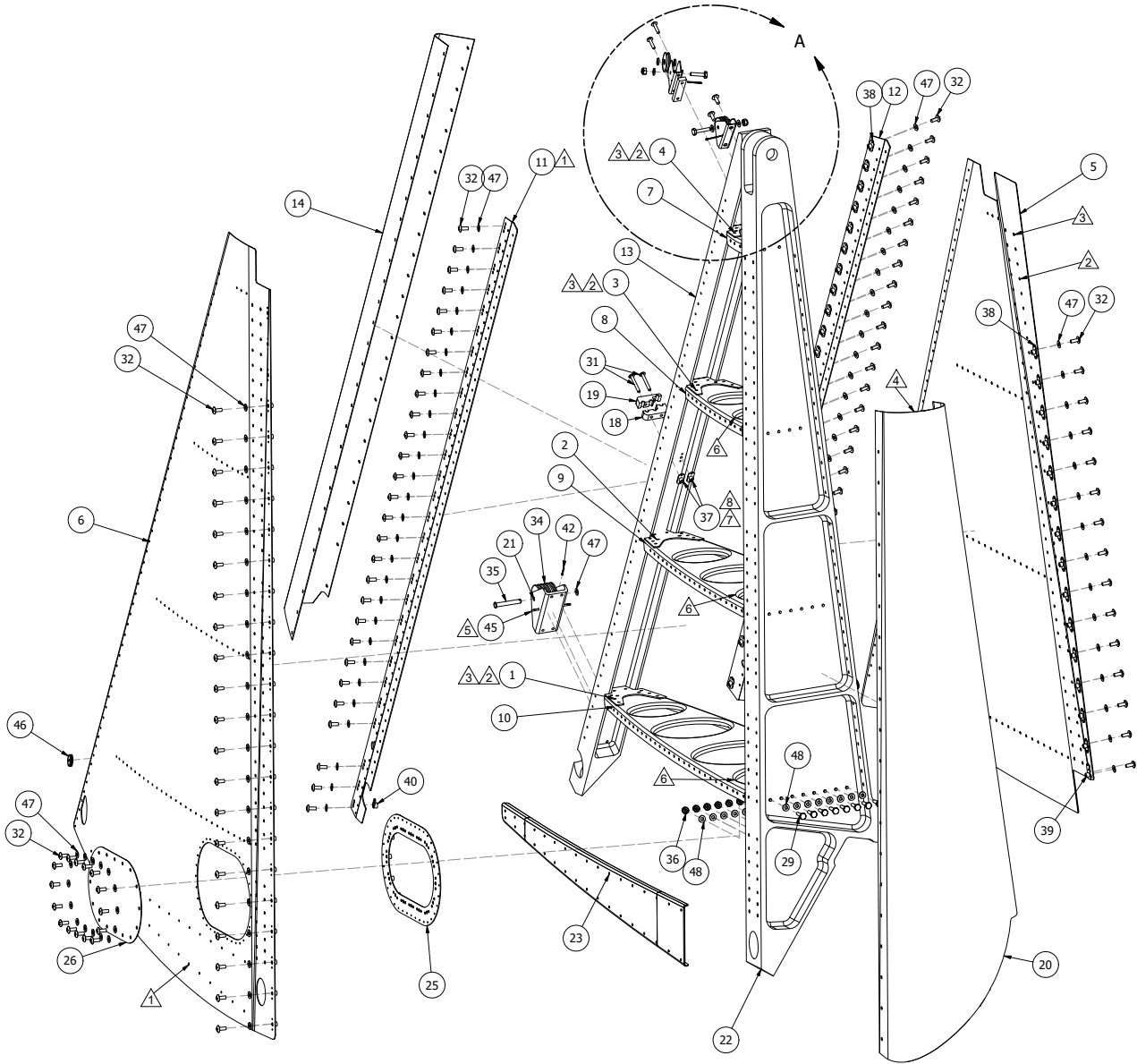
ITEM	QTY	PART NO.	PART DESCRIPTION
-	1	1012302	ASS'Y. STRUT, MAIN, PYLON, 10000, LH
1	1	1012211	GUSSET, #1 RIB, MAIN STRUT
2	1	1012213	GUSSET, #2 RIB, MAIN STRUT
3	1	1012215	GUSSET, #3 RIB, MAIN STRUT
4	1	1012217	GUSSET, #4 RIB, MAIN STRUT
5	1	1012219	BOTTOM SKIN, MAIN STRUT, LH
6	1	1012221	TOP SKIN, MAIN STRUT LH
7	1	1012222	RIB, MAIN STRUT, #4, 10000
8	1	1012226	RIB, MAIN STRUT, #3, 10000
9	1	1012227	RIB, MAIN STRUT, #2, 10000
10	1	1012228	RIB, MAIN STRUT, CENTER #1, 10000
11	1	1012231	STRIP, REAR FAIRING ATTACH, PYLON TOP, LH
12	1	1012233	STRIP, REAR FAIRING ATTACH, PYLON, BOTTOM, LH
13	1	1012235	STRUT, DRAG, LH, 10000/13000
14	1	1012245	FAIRING, MAIN STRUT, TRAILING EDGE, LEFT
15	1	1012246	BRACKET, PULLEY, PYLON, 10000
16	1	1012247	BRACKET, PULLEY, MAIN STRUT
17	1	1012248	SPACER, PULLEY BRACKET, PYLON
18	1	1012249	BLOCK, CABLE GUIDE, BOTTOM
19	1	1012250	BLOCK, CABLE GUIDE, TOP

PARTS MANUAL  
 10000 AMPHIBIAN FLOATS ON AT-802 & AT-802A - FIRE BOSS CONVERSION

ITEM	QTY	PART NO.	PART DESCRIPTION
20	1	10A02163-119	LEADING EDGE, LH, PYLON, 10000
21	1	10A02367-004	BRACKET, PULLEY, STRUT
22	1	13A02105-001	MAIN STRUT
23	1	13A02150-109	STIFFENER, MAIN STRUT, LEFT
24	4 FT	52-4652-B	TRIM, SNAP ON
25	1	6A13000-037	ASSEMBLY, DOUBLER, REINFORCEMENT, ACCESS COVER
26	1	6A13002-218	COVER
27	1	9903-10-36	TINNERMAN TAPE, 1/2" X .005ML
28	1	AN3-10A	BOLT, 10-32, 0.625 GRIP, UNDRILLED, STEEL
29	8	AN3-6A	BOLT, 10-32, 0.375 GRIP, UNDRILLED, STEEL
30	1	AN3-7A	BOLT, 10-32, 0.5 GRIP, UNDRILLED, STEEL
31	2	AN525-832R22	SCREW, 8-32 THREAD, 31/32" GRIP, 1-3/8" LENGTH
32	108	AN525-10R8	SCREW, 10-32 THREAD, 1/8" GRIP, 1/2" LENGTH
33	2	AN525-832R12	SCREW, 8-32 THREAD, 11/32" GRIP, 3/4" LENGTH
34	3	MS20219-2	PULLEY
35	1	MS20392-3C51	CLEVIS PIN
36	10	MS21044N3	NUT, LOCKING, REGULAR HEIGHT, 10-32 UNF
37	4	MS21047L08	NUTPLATE, TWO LUG, 8-32 THREAD, LOW HEIGHT
38	98	MS21059L3	NUT PLATE, FLOATING, STEEL, PLAIN, 10-32
39	1	MS21061L3	NUT PLATE
40	1	MS21071L3	NUT PLATE
41	1	MS24566-1B	PULLEY, CONTROL, ANTI-FRICTION BEARING
42	3	MS24665-132	COTTER PIN
43	1	MS24665-134	COTTER PIN
44	1	MS24665-136	COTTER PIN
45	1	MS24665-294	COTTER PIN
46	2	MS35489-2	GROMMET, RUBBER
47	109	NAS1149F0332P	WASHER, 0.203 ID, 0.032 THK, STEEL
48	19	NAS1149F0363P	WASHER, 0.203 ID, 0.063 THK, STEEL

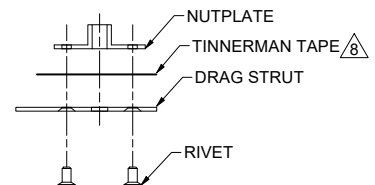
## RIGHT PYLON ASSEMBLY

### FLOAT SERIAL NUMBERS 10307A & 10308A AND LATER



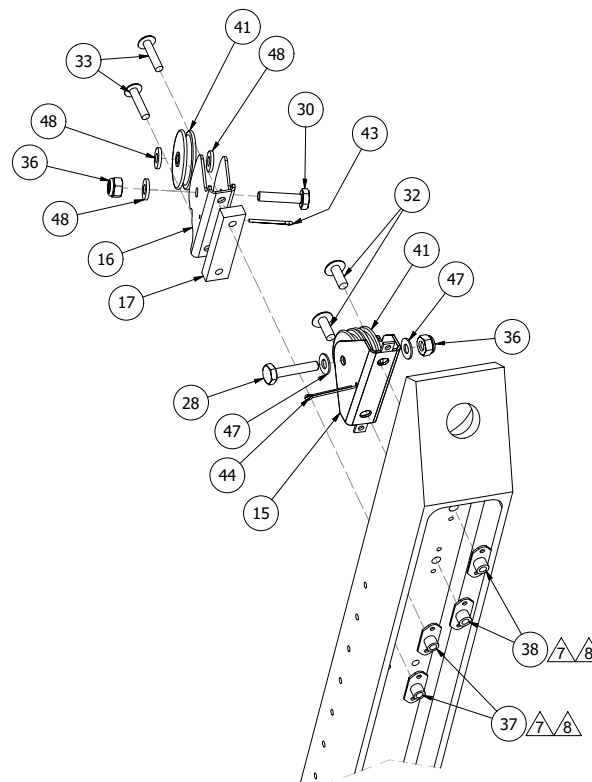
**NOTES:**

- ▲1 USE MS20470-4 RIVETS
- ▲2 USE MS20470-5 RIVETS
- ▲3 USE MS20470-6 RIVETS
- ▲4 USE TRIM TEMPLATE 10A02000-245 TO TRIM TOP OF FAIRING FOR FILL TUBE
- ▲5 TRIM COTTER PIN .25" BOTH SIDES AND BEND OVER FOR CLEARANCE
- ▲6 DRILL 5 EXTRA HOLES FOR NUTPLATES USING 10A02000-245\_DRILL TOOL ON BOTTOM SKIN (IMAGE IS VISUAL REFERENCE ONLY)
- ▲7 INSTALL 52-465-B TO FORWARD LIGHTENING HOLES ON THE 3 BOTTOM RIBS
- ▲8 USE MS20426-3 RIVETS
- ▲9 INSTALL TINNERMAN TAPE BETWEEN NUTPLATES AND DRAG STRUT





PARTS MANUAL  
10000 AMPHIBIAN FLOATS ON AT-802 & AT-802A - FIRE BOSS CONVERSION



DETAIL A  
SCALE 1/2

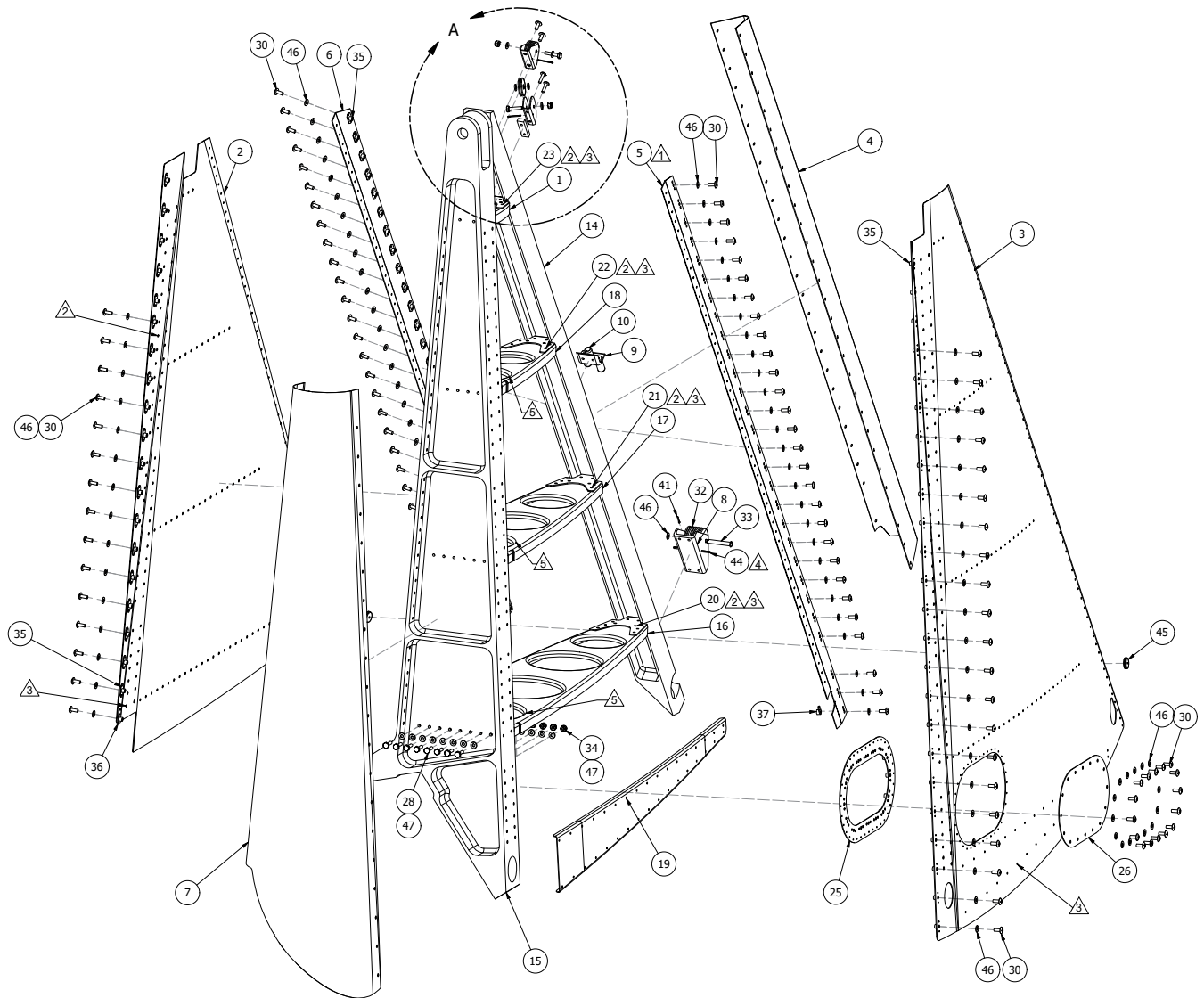
ITEM	QTY	PART NO.	PART DESCRIPTION
-	1	1012303	ASS'Y, STRUT, MAIN, PYLON, 10000, RH
1	1	1012211	GUSSET, #1 RIB, MAIN STRUT
2	1	1012213	GUSSET, #2 RIB, MAIN STRUT
3	1	1012215	GUSSET, #3 RIB, MAIN STRUT
4	1	1012217	GUSSET, #4 RIB, MAIN STRUT
5	1	1012218	BOTTOM SKIN, MAIN STRUT, RH
6	1	1012220	TOP SKIN, MAIN STRUT, RH
7	1	1012222	RIB, MAIN STRUT, #4, 10000
8	1	1012226	RIB, MAIN STRUT, #3, 10000
9	1	1012227	RIB, MAIN STRUT, #2, 10000
10	1	1012228	RIB, MAIN STRUT, CENTER #1, 10000
11	1	1012230	STRIP, REAR FAIRING ATTACH, PYLON TOP, RH
12	1	1012232	STRIP, REAR FAIRING ATTACH, PYLON, BOTTOM, RH
13	1	1012234	STRUT, DRAG, RH, 10000/13000
14	1	1012244	FAIRING, MAIN STRUT, TRAILING EDGE, RIGHT
15	1	1012246	BRACKET, PULLEY, PYLON, 10000
16	1	1012247	BRACKET, PULLEY, MAIN STRUT
17	1	1012248	SPACER, PULLEY BRACKET, PYLON
18	1	1012249	BLOCK, CABLE GUIDE, BOTTOM
19	1	1012250	BLOCK, CABLE GUIDE, TOP

PARTS MANUAL  
10000 AMPHIBIAN FLOATS ON AT-802 & AT-802A - FIRE BOSS CONVERSION

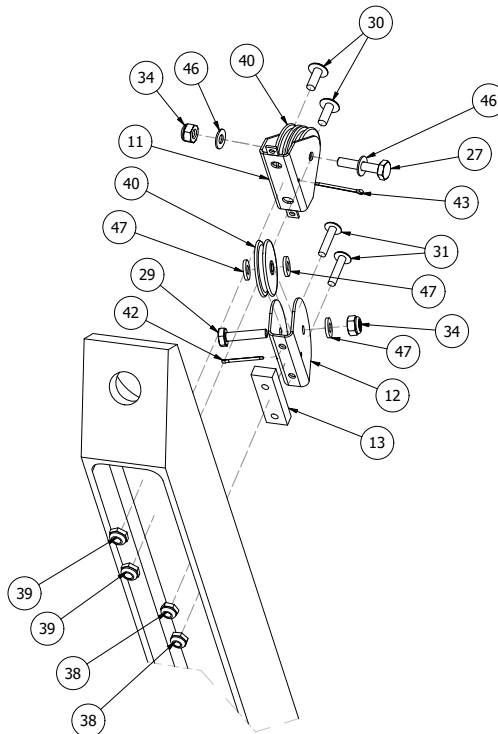
ITEM	QTY	PART NO.	PART DESCRIPTION
20	1	10A02163-120	LEADING EDGE, RH, PYLON, 10000
21	1	10A02367-004	BRACKET, PULLEY, STRUT
22	1	13A02105-001	MAIN STRUT
23	1	13A02150-090	STIFFENER, MAIN STRUT, RIGHT
24	4 FT	52-4652-B	TRIM, SNAP ON
25	1	6A13000-037	ASSEMBLY, DOUBLER, REINFORCEMENT, ACCESS COVER
26	1	6A13002-218	COVER
27	1	9903-10-36	TINNERMAN TAPE, 1/2" X .005ML
28	1	AN3-10A	BOLT, 10-32, 0.625 GRIP, UNDRILLED, STEEL
29	8	AN3-6A	BOLT, 10-32, 0.375 GRIP, UNDRILLED, STEEL
30	1	AN3-7A	BOLT, 10-32, 0.5 GRIP, UNDRILLED, STEEL
31	2	AN525-832R22	SCREW, 8-32 THREAD, 31/32" GRIP, 1-3/8" LENGTH
32	108	AN525-10R8	SCREW, 10-32 THREAD, 1/8" GRIP, 1/2" LENGTH
33	2	AN525-832R12	SCREW, 8-32 THREAD, 11/32" GRIP, 3/4" LENGTH
34	3	MS20219-2	PULLEY
35	1	MS20392-3C51	CLEVIS PIN
36	10	MS21044N3	NUT, LOCKING, REGULAR HEIGHT, 10-32 UNF
37	4	MS21047L08	NUTPLATE, TWO LUG, 8-32 THREAD, LOW HEIGHT
38	91	MS21059L3	NUT PLATE, FLOATING, STEEL, PLAIN, 10-32
39	1	MS21061L3	NUT PLATE
40	1	MS21071L3	NUT PLATE
41	3	MS24566-1B	PULLEY, CONTROL, ANTI-FRICTION BEARING
42	1	MS24665-132	COTTER PIN
43	1	MS24665-134	COTTER PIN
44	1	MS24665-136	COTTER PIN
45	1	MS24665-294	COTTER PIN
46	2	MS35489-2	GROMMET, RUBBER
47	109	NAS1149F0332P	WASHER, 0.203 ID, 0.032 THK, STEEL
48	19	NAS1149F0363P	WASHER, 0.203 ID, 0.063 THK, STEEL

## LEFT PYLON ASSEMBLY

### FLOAT SERIAL NUMBERS 10305A & 10306A AND PRIOR



- NOTES:
- ▲ USE MS20470-4 RIVETS
  - ▲ USE MS20470-5 RIVETS
  - ▲ USE MS20470-6 RIVETS
  - ▲ TRIM COTTER PIN .25" BOTH SIDES AND BEND OVER FOR CLEARANCE.
  - ▲ INSTALL 52-4652-B TO FORWARD LIGHTENING HOLES ON THE 3 BOTTOM RIBS.



DETAIL A  
SCALE 1 / 2

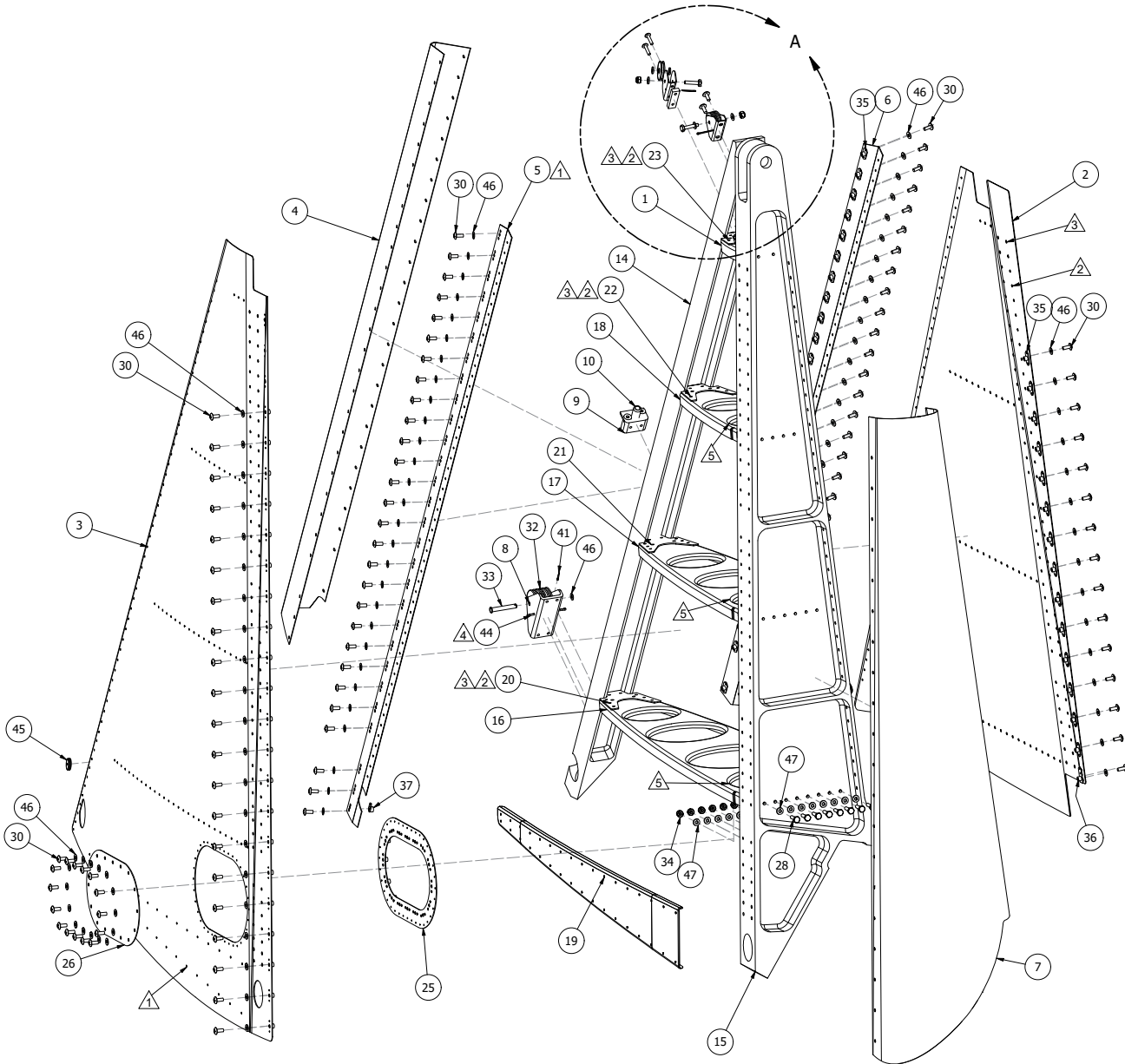
ITEM	QTY	PART NO.	PART DESCRIPTION
-	1	10A02000-245	ASS'Y. MAIN STRUT, PYLON, LEFT
1	1	1009314	RIB, MAIN STRUT, #4
2	1	10A02150-183	BOTTOM SKIN, MAIN STRUT, LH
3	1	10A02150-185	TOP SKIN, MAIN STRUT LH
4	1	10A02150-193	FAIRING, MAIN STRUT, TRAILING EDGE, LEFT
5	1	10A02150-195	STRIP, REAR FAIRING ATTACH, PYLON TOP, LH
6	1	10A02150-197	STRIP, REAR FAIRING ATTACH, PYLON, BOTTOM, LH
7	1	10A02163-119	LEADING EDGE, LH, PYLON, 10000
8	1	10A02367-004	BRACKET, PULLEY, STRUT
9	1	10A08427-032	BRACKET, CABLE GUIDE
10	3	10A08605-003	GUIDE - CABLE
11	1	10A12162-071	BRACKET - PULLEY - UPPER REAR STRUT
12	1	10A12162-072	PULLEY BRACKET, MAIN STRUT
13	1	10A12200-009	SPACER - PULLEY BRACKET
14	1	13A02073-003	STRUT, DRAG, LH
15	1	13A02105-001	MAIN STRUT
16	1	13A02150-084	RIB, MAIN STRUT, CENTER #1
17	1	13A02150-085	RIB, MAIN STRUT, #2
18	1	13A02150-086	RIB, MAIN STRUT, #3
19	1	13A02150-109	STIFFENER, MAIN STRUT, LEFT

PARTS MANUAL  
 10000 AMPHIBIAN FLOATS ON AT-802 & AT-802A - FIRE BOSS CONVERSION

ITEM	QTY	PART NO.	PART DESCRIPTION
20	1	13A02163-018	GUSSET-#1 RIB, MAIN STRUT, AT802
21	1	13A02163-019	GUSSET, #2 RIB, MAIN STRUT
22	1	13A02163-020	GUSSET, #3 RIB, MAIN STRUT
23	1	13A02163-021	GUSSET, #4 RIB, MAIN STRUT
24	4 FT	52-4652-B	TRIM, SNAP ON
25	1	6A13000-037	ASSEMBLY, DOUBLER, REINFORCEMENT, ACCESS COVER
26	1	6A13002-218	COVER
27	1	AN3-10A	BOLT, 10-32, 0.625 GRIP, UNDRILLED, STEEL
28	8	AN3-6A	BOLT, 10-32, 0.375 GRIP, UNDRILLED, STEEL
29	1	AN3-7A	BOLT, 10-32, 0.5 GRIP, UNDRILLED, STEEL
30	108	AN526-1032R8	SCREW, TRUSS HEAD, NON STRUCTURAL, CAD 1, STEAL
31	2	AN526-832R12	SCREW, NON STRUCTURAL, CAD 1, 8-32 3/4 CADMIUM
32	3	MS20219-2	PULLEY
33	1	MS20392-3C51	CLEVIS PIN
34	10	MS21044N3	NUT, LOCKING, REGULAR HEIGHT, 10-32 UNF
35	96	MS21059L3	NUT PLATE, FLOATING, STEEL, PLAIN, 10-32
36	1	MS21061L3	NUT PLATE
37	1	MS21071L3	NUT PLATE
38	2	MS21083N08	NUT, LOCKING, LOW HEIGHT, 8-32 UNC
39	2	MS21083N3	NUT, LOCKING, LOW HEIGHT, 10-32 UNF
40	3	MS24566-1B	PULLEY, CONTROL, ANTI-FRICTION BEARING
41	1	MS24665-132	COTTER PIN
42	1	MS24665-134	COTTER PIN
43	1	MS24665-136	COTTER PIN
44	1	MS24665-294	COTTER PIN
45	2	MS35489-2	GROMMET, RUBBER
46	109	NAS1149F0332P	WASHER, 0.203 ID, 0.032 THK, STEEL
47	19	NAS1149F0363P	WASHER, 0.203 ID, 0.063 THK, STEEL

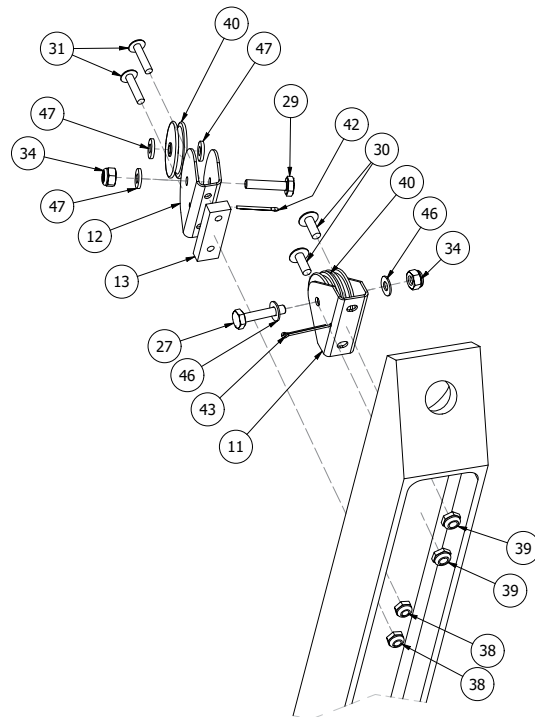
## RIGHT PYLON ASSEMBLY

### FLOAT SERIAL NUMBERS 10305A & 10306A AND PRIOR



- NOTES:
- ▲ USE MS20470-4 RIVETS
  - ▲ USE MS20470-5 RIVETS
  - ▲ USE MS20470-6 RIVETS
  - ▲ TRIM COTTER PIN .25" BOTH SIDES AND BEND OVER FOR CLEARANCE.
  - ▲ INSTALL 52-4652-B TO FORWARD LIGHTENING HOLES ON THE 3 BOTTOM RIBS.

PARTS MANUAL  
10000 AMPHIBIAN FLOATS ON AT-802 & AT-802A - FIRE BOSS CONVERSION



DETAIL A  
SCALE 1 / 2

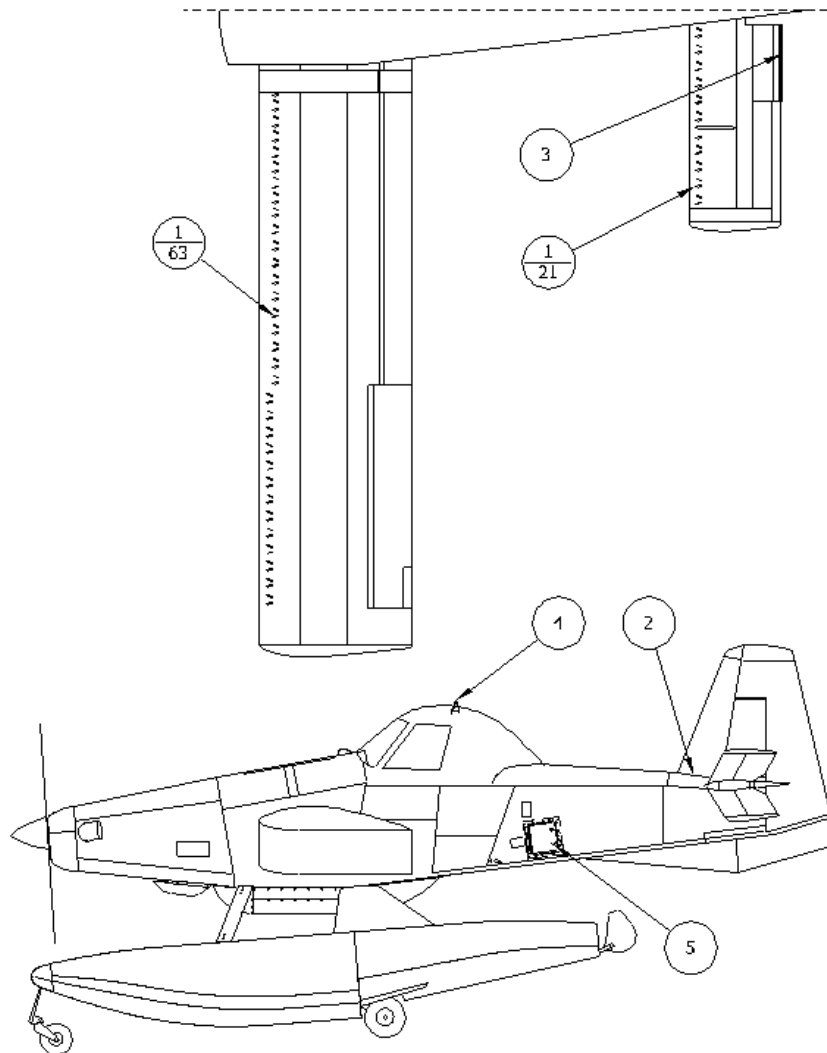
ITEM	QTY	PART NO.	PART DESCRIPTION
-	1	10A02000-246	ASS'Y, MAIN STRUT, PYLON, RIGHT
1	1	1009314	RIB, MAIN STRUT, #4
2	1	10A02150-182	BOTTOM SKIN, MAIN STRUT, RH
3	1	10A02150-184	TOP SKIN, MAIN STRUT, RH
4	1	10A02150-192	FAIRING, MAIN STRUT, TRAILING EDGE, RIGHT
5	1	10A02150-194	STRIP, REAR FAIRING ATTACH, PYLON TOP, RH
6	1	10A02150-196	STRIP, REAR FAIRING ATTACH, PYLON, BOTTOM, RH
7	1	10A02163-120	LEADING EDGE, RH, PYLON, 10000
8	1	10A02367-004	BRACKET, PULLEY, STRUT
9	1	10A08427-032	BRACKET, CABLE GUIDE
10	3	10A08605-003	GUIDE - CABLE
11	1	10A12162-071	BRACKET - PULLEY - UPPER REAR STRUT
12	1	10A12162-072	PULLEY BRACKET, MAIN STRUT
13	1	10A12200-009	SPACER - PULLEY BRACKET
14	1	13A02073-002	STRUT, DRAG, RH
15	1	13A02105-001	MAIN STRUT
16	1	13A02150-084	RIB, MAIN STRUT, CENTER #1
17	1	13A02150-085	RIB, MAIN STRUT, #2
18	1	13A02150-086	RIB, MAIN STRUT, #3
19	1	13A02150-090	STIFFENER, MAIN STRUT, RIGHT

PARTS MANUAL  
10000 AMPHIBIAN FLOATS ON AT-802 & AT-802A - FIRE BOSS CONVERSION

ITEM	QTY	PART NO.	PART DESCRIPTION
20	1	13A02163-018	GUSSET-#1 RIB, MAIN STRUT, AT802
21	1	13A02163-019	GUSSET, #2 RIB, MAIN STRUT
22	1	13A02163-020	GUSSET, #3 RIB, MAIN STRUT
23	1	13A02163-021	GUSSET, #4 RIB, MAIN STRUT
24	4 FT	52-4652-B	TRIM, SNAP ON
25	1	6A13000-037	ASSEMBLY, DOUBLER, REINFORCEMENT, ACCESS COVER
26	1	6A13002-218	COVER
27	1	AN3-10A	BOLT, 10-32, 0.625 GRIP, UNDRILLED, STEEL
28	8	AN3-6A	BOLT, 10-32, 0.375 GRIP, UNDRILLED, STEEL
29	1	AN3-7A	BOLT, 10-32, 0.5 GRIP, UNDRILLED, STEEL
30	108	AN526-1032R8	SCREW, TRUSS HEAD, NON STRUCTURAL, CAD 1, STEEL
31	2	AN526-832R12	SCREW, NON STRUCTURAL, CAD 1, 8-32 3/4 CADMIUM
32	3	MS20219-2	PULLEY
33	1	MS20392-3C51	CLEVIS PIN
34	10	MS21044N3	NUT, LOCKING, REGULAR HEIGHT, 10-32 UNF
35	91	MS21059L3	NUT PLATE, FLOATING, STEEL, PLAIN, 10-32
36	1	MS21061L3	NUT PLATE
37	1	MS21071L3	NUT PLATE
38	2	MS21083N08	NUT, LOCKING, LOW HEIGHT, 8-32 UNC
39	2	MS21083N3	NUT, LOCKING, LOW HEIGHT, 10-32 UNF
40	3	MS24566-1B	PULLEY, CONTROL, ANTI-FRICTION BEARING
41	1	MS24665-132	COTTER PIN
42	1	MS24665-134	COTTER PIN
43	1	MS24665-136	COTTER PIN
44	1	MS24665-294	COTTER PIN
45	2	MS35489-2	GROMMET, RUBBER
46	109	NAS1149F0332P	WASHER, 0.203 ID, 0.032 THK, STEEL
47	19	NAS1149F0363P	WASHER, 0.203 ID, 0.063 THK, STEEL

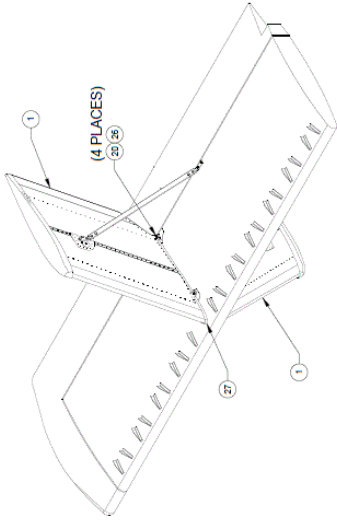


## INSTALL FUSELAGE ITEMS

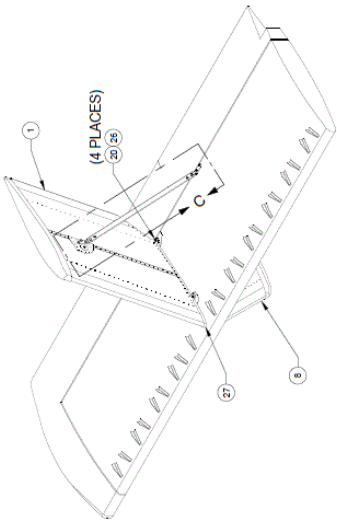


ITEM	QTY	PART NO.	PART DESCRIPTION
1	168	10A13340-182	VORTEX GENERATOR
2	4 FT	1-796	Y CHANNEL, RUBBER
	4 FT	S2145-1	CHANNEL, RUBBER, 5/8"
3	2	10A12150-190	EXTENSION, ELEVATOR SERVO TAB
4	2	10A16447-009	(SINGLE SEAT) BRACKET, LIFT
	1	10A16447-010	(2 SEATER) BRACKET - LIFT POINT - FUS.
	8	AN4-6A	BOLT, 1/4-28, 0.3125 GRIP, UNDRILLED, STEEL
	8	MS21044N4	NUT, LOCKING, REGULAR HEIGHT, 1/4-28 UNF
	8	NAS1149F0432P	WASHER, 0.265 ID, 0.032 THK, STEEL
5	1	1002075	ASSEMBLY ACCESS DOOR, HYD PUMP
	1	1002061	FRAME, ACCESS DOOR

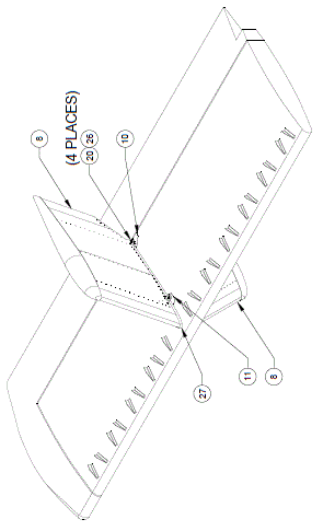
## AUXILIARY FIN



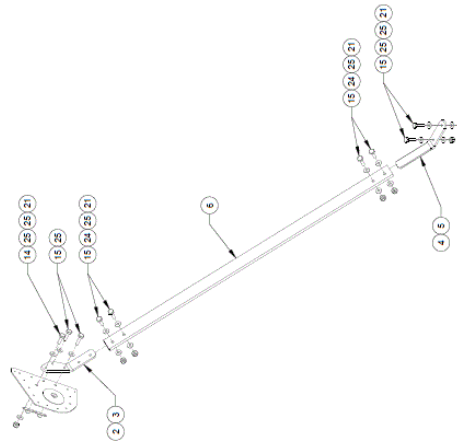
KIT -03  
 RIGHT HORIZONTAL STABILIZER  
 LEFT OPPOSITE



KIT -02  
 RIGHT HORIZONTAL STABILIZER  
 LEFT OPPOSITE



KIT -01  
 RIGHT HORIZONTAL STABILIZER  
 LEFT OPPOSITE



KIT DESCRIPTIONS	
-01	AT802A UP TO 1350 HP
-02	AT802A PT6A-67F AT 1600 HP
-03	AT802 PT6A-67F AT 1600 HP

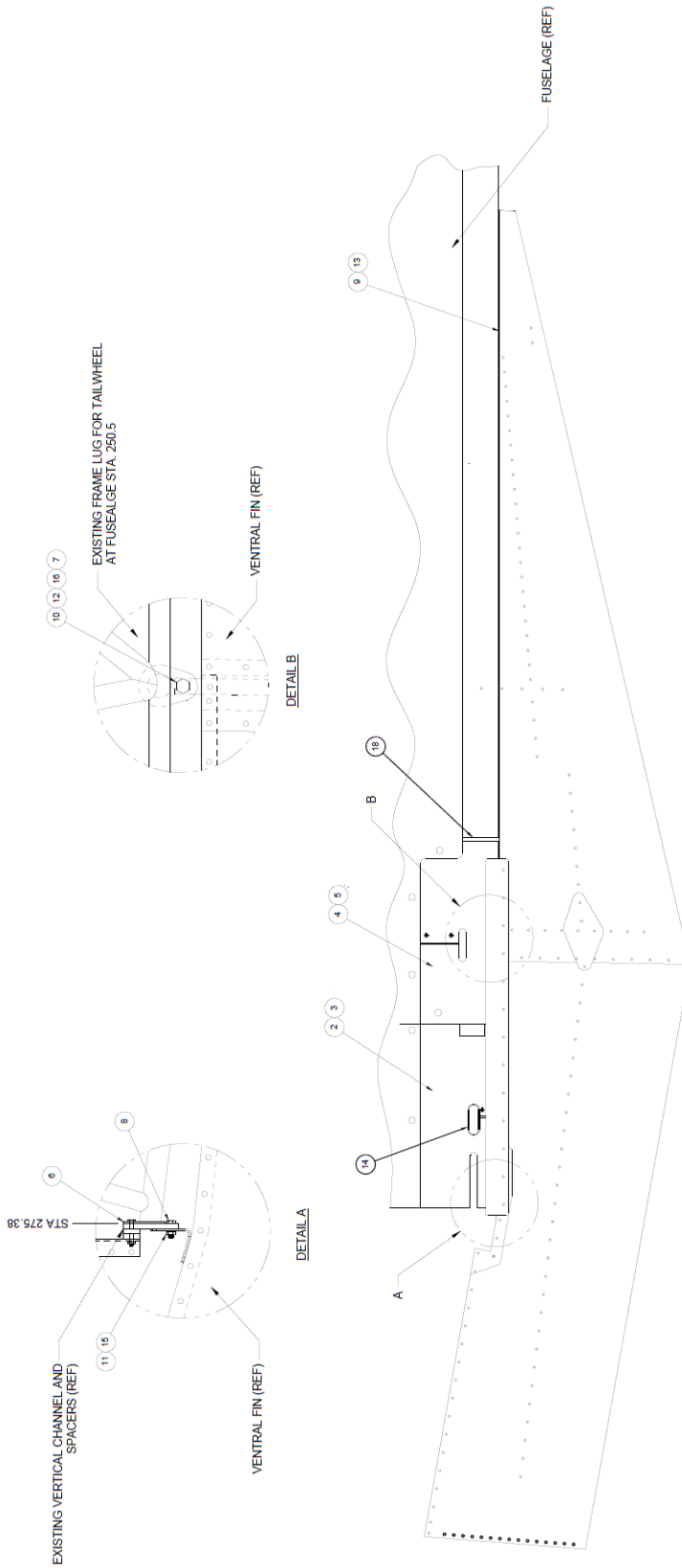
## PARTS MANUAL

## 10000 AMPHIBIAN FLOATS ON AT-802 &amp; AT-802A - FIRE BOSS CONVERSION

ITEM	QTY	PART NO.	PART DESCRIPTION
1	4	1003204	FINLET ASSEMBLY (TALL FINLETS)
2	2	1006731	FITTING, STRUT, UP RIGHT OR LOW LEFT
3	2	1006732	FITTING, STRUT, UP LEFT OR LOW RIGHT
4	2	1006739	FITTING, HORIZ, ALT (WITHOUT HOLES), TOP R/H, BOTTOM L/H
5	2	1006740	FITTING, HORIZ, ALT (WITHOUT HOLES), TOP L/H, BOTTOM R/H
6	4	1006741	STRUT, SUPPORT, LONG FINLET, AIR TRACTOR
7	1	1-796	Y CHANNEL, RUBBER
8	4	10A12000-071	FINLET ASSEMBLY, AT-802
9	8	10A12001-074	STRAP, SPAR (NOT SHOWN)
10	4	10A12005-412	DOUBLER, AFT FINLET
11	4	10A12005-413	COVER, FORWARD SLOT
12	2	10A12160-045	FINLET, ACCESS COVER (NOT SHOWN)
13	1	1300L-5-OZ	CEMENT ADHESIVE, 5 OZ, 3M
14	4	AN3-5A	BOLT SIZE 10-32, LENGTH +/- 1/64 - 21/32, GRIP LENGTH 1/4
15	32	AN3-6A	BOLT SIZE 10-32, LENGTH +/- 1/64 - 25/32, GRIP LENGTH 3/8
16	52	AN526-632R4	SCREW, 6-32 (NOT SHOWN)
17	10	CR3212-4-7	RIVET, CHERRY MAX, 1/8" DIA.
18	58	CR3213-4-1	RIVET, CHERRY MAX, 1/8" DIA. (NOT SHOWN)
19	4	CR3213-4-7	RIVET, CHERRY MAX, 1/8" DIA.
20	16	MS20002C4	WASHER, HIGH STRENGTH, TO FIT DIA 1/4", COUNTERSUNK
21	28	MS21044N3	NUT, HEX LOCKING NYLON INSERT STEEL CAD 2, 10-32
22	2	MS21051L4	NUTPLATE, ONE LUG, 1/4-28 THREAD
23	16	MS21075L4N	NUTPLATE, TWO LUG, 1/4-28 THREAD, LOW HEIGHT
24	16	NAS1149F0332P	WASHER FLAT, SCREW SIZE #10 OD.438 ID.203 THK.032
25	48	NAS1149F0363P	WASHER, 0.203 ID, 0.063 THK, STEEL
26	16	NAS624-8	BOLT, 12 POINT, EXTERNAL WRENCHING
27	20	S2145-1	CHANNEL, RUBBER, 5/8"

\*Quantities can vary by kit number. Contact Wipaire Customer Service for details and reference Wipaire Drawing 7D1-4399.

# VENTRAL FIN



PARTS MANUAL  
 10000 AMPHIBIAN FLOATS ON AT-802 & AT-802A - FIRE BOSS CONVERSION

ITEM	QTY	PART NO.	PART DESCRIPTION
1	1	10A12000-058	ASSEMBLY, VENTRAL FIN, AT802
2	1	10A12000-072	ASSY, FAIRING, RH, AFT, VENTRAL FIN, AT802
3	1	10A12000-073	ASSY, FAIRING, LH, AFT, VENTRAL FIN, AT802
4	1	10A12000-074	ASSY, FAIRING, RH, FWD, TAIL, AT802
5	1	10A12000-075	ASSY, FAIRING, LH, FWD, TAIL, AT802
6	1	10A12234-004	MOUNT, VENTRAL FIN, AFT
7	2	30A02084-005	BUSHING - STRUT (.38 DIA BOLT)
8	1	AN4-7A	BOLT, 1/4-28, 0.4375 GRIP, UNDRILLED, STEEL
9	55	AN526C-1032R8	SCREW
10	1	AN6-32A	BOLT, 3/8-24, 2.6875 GRIP, UNDRILLED, STEEL
11	1	MS21044N4	NUT, LOCKING, REGULAR HEIGHT, 1/4-28 UNF
12	1	MS21044N6	NUT, LOCKING, REGULAR HEIGHT, 3/8-24 UNF
13	22	MS21047L3	NUT PLATE, FIXED, STEEL, PLAIN, 10-32
14	2	MS21266-1N	GROMMET EDGING, 1 FT
15	1	NAS1149F0463P	WASHER, 0.265 ID, 0.063 THK, STEEL
16	1	NAS1149F0663P	WASHER, 0.39 ID, 0.063 THK, STEEL
17	18 FT	PM-T1	TAPE, LEADING EDGE, 1" X 100FT
18	2 FT	S2145-1	CHANNEL, RUBBER. 5/8"

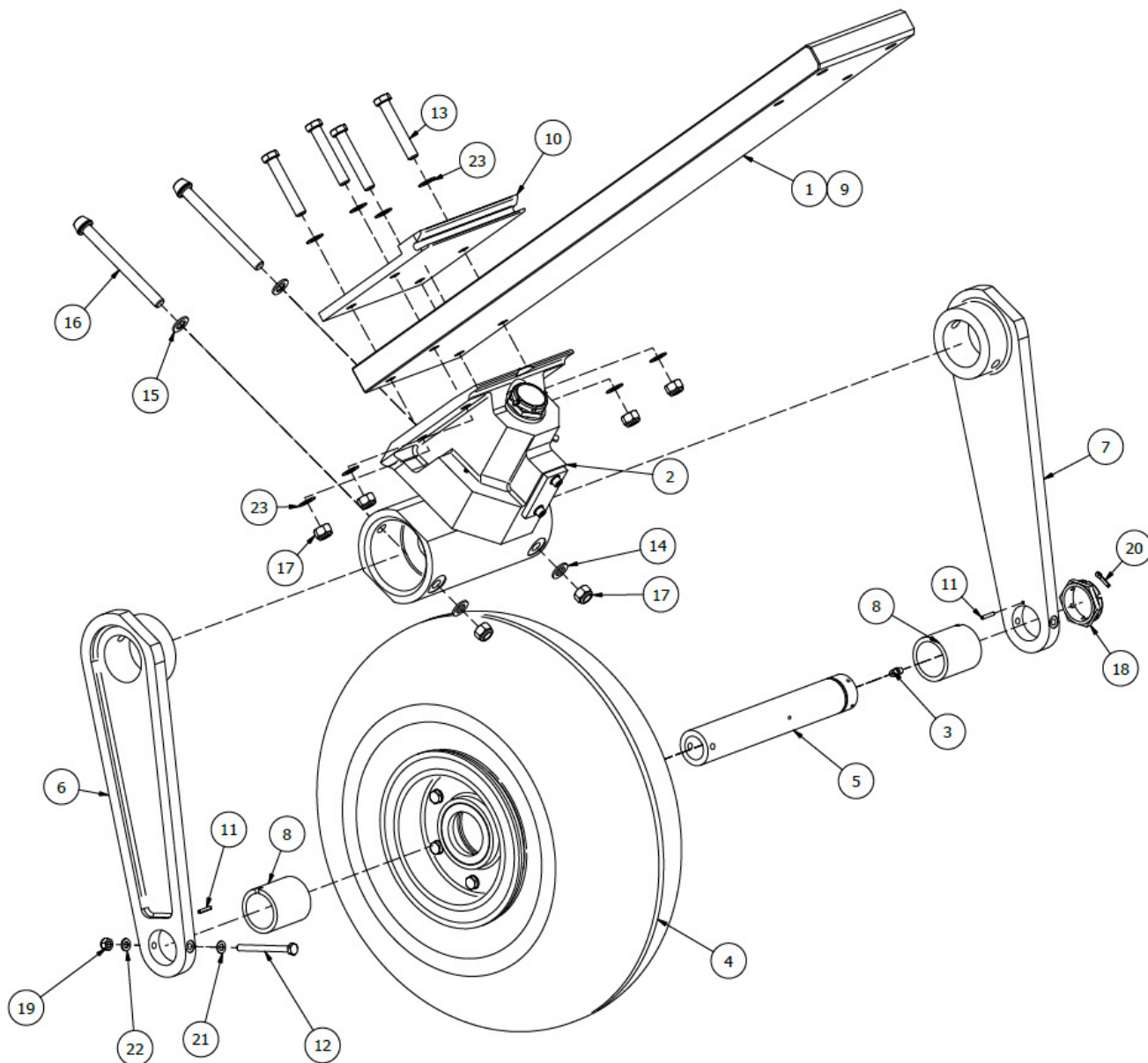
THIS PAGE INTENTIONALLY LEFT BLANK

## SECTION 3 LANDING GEAR

### CONTENTS

NOSE GEAR LOWER END ASSEMBLY FLOAT SERIAL NUMBERS 10315A - 10332A, 10343A AND LATER (BACKWARDS COMPATIBLE).....	100
NOSE GEAR LOWER END ASSEMBLY FLOAT SERIAL NUMBERS 10314A AND PRIOR, PLUS 10333A - 10342A.....	102
PIVOT BLOCK AND YOKE ASSEMBLY FLOAT SERIAL NUMBERS 10315A - 10332A, 10343A AND LATER (BACKWARDS COMPATIBLE).....	105
PIVOT BLOCK WITH BEARINGS ASSEMBLY FLOAT SERIAL NUMBERS 10315A - 10332A, 10343A AND LATER (BACKWARDS COMPATIBLE*).....	107
NOSE WHEEL ASSEMBLY WITHOUT TIRE .....	108
NOSE GEAR RETRACTION ASSEMBLY (T-SEALS INSTALLED).....	110
NOSE GEAR RETRACTION ASSEMBLY (O-RINGS INSTALLED).....	113
MAIN GEAR ASSEMBLY .....	116
MAIN GEAR WHEEL ASSEMBLY .....	117
MAIN GEAR AXLE ASSEMBLY .....	119
OLEO SHOCK STRUT ASSEMBLY (T-SEALS INSTALLED).....	121
OLEO SHOCK STRUT ASSEMBLY (O-RINGS INSTALLED).....	123
MAIN GEAR RETRACTION (T-SEALS INSTALLED).....	125
MAIN GEAR RETRACTION (O-RINGS INSTALLED).....	128

## NOSE GEAR LOWER END ASSEMBLY FLOAT SERIAL NUMBERS 10315A - 10332A, 10343A AND LATER (BACKWARDS COMPATIBLE)



\* 1012008 Nose Gear Assembly is available to earlier floats as it is backwards compatible for legacy floats. Assembly is standard on floats 10315A & 10316A and later. Nose spring available in white or yellow.

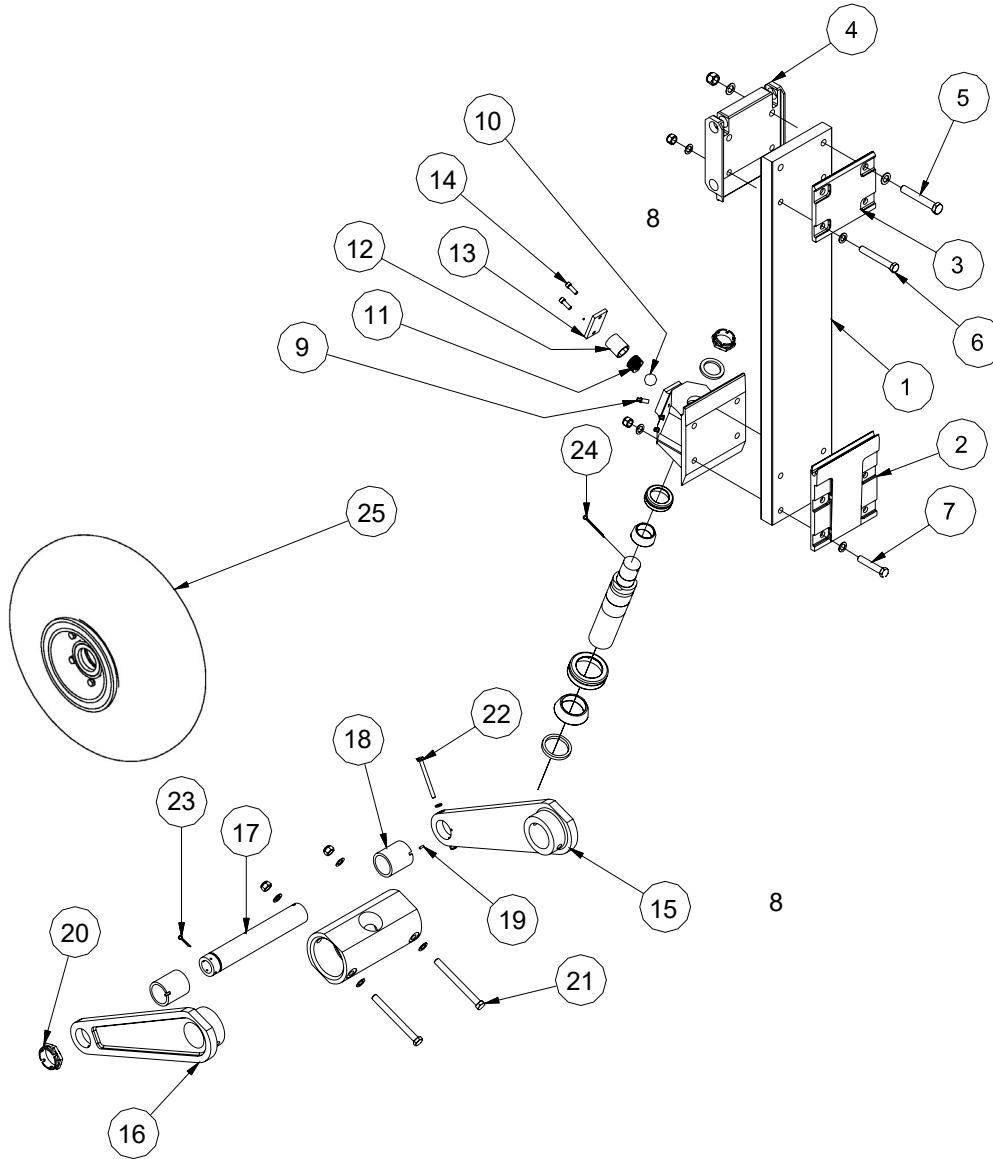


ITEM	QTY	PART NO.	PART DESCRIPTION
-	1	1012008	ASSEMBLY, NOSE GEAR, 10000
1	1	1001879	SPRING, NOSE GEAR, WHITE
2	1	1012007	ASSEMBLY, PIVOT BLOCK AND YOKE (SEE DETAIL)
3	1	1095K41	COMMON GREASEZERK
4	1	13A06000-015	ASSEMBLY, NOSE WHEEL, 13000 (WITH TIRE AND TUBE)
	1	AA1E6*	TIRE, 6.00 X 6, 8 PLY
	1	XA1AD*	TUBE, 6.00 X 6
	1	MULTIPLE	ASSEMBLY, NOSE WHEEL (MULTIPLE CONFIGURATIONS EXIST, SEE FOLLOWING PAGES FOR BREAKDOWN)
5	1	13A06097-001	AXLE, NOSE WHEEL
6	1	13A06199-007	LEG, NOSE WHEEL FORK, LEFT
7	1	13A06199-008	LEG, NOSE WHEEL FORK, RIGHT
8	2	13A06251-002	SPACER - NOSE
9	1	13A06633-001	SPRING, NOSE GEAR, YELLOW
10	1	13A07232-001	PLATE - BEARING, NOSE SPRING
11	2	215-125-0750	PIN, ROLL, 1/8 X 3/4, SPRING
12	1	AN4-27A	BOLT, 1/4-28, 2.4375 GRIP, UNDRILLED, STEEL
13	4	AN7-24A	BOLT, 7/16-20, 1.9375 GRIP, UNDRILLED, STEEL
14	2	MS20002-7	WASHER, HIGH STRENGTH, PLAIN, 7/16
15	2	MS20002C7	WASHER, HIGH STRENGTH, COUNTERSINK, 7/16
16	2	MS20007-62	BOLT, INTERNAL WRENCHING
17	6	MS20365-720A	NUT, SELF LOCKING
18	1	MS21025-24	NUT, AXLE
19	1	MS21044N4	NUT, LOCKING, REGULAR HEIGHT, 1/4-28 UNF
20	1	MS24665-349	COTTER PIN
21	1	NAS1149F0432P	WASHER, 0.265 ID, 0.032 THK, STEEL
22	1	NAS1149F0463P	WASHER, 0.265 ID, 0.063 THK, STEEL
23	10	NAS1149F0732P	WASHER, 0.453 ID, 0.032 THK, STEEL

\* Any alternate tire (tube type) which is TSO-approved, matches the listed tire's dimensions, and meets its speed/load/ply ratings may be used. Equivalent tubes may also be used.

## NOSE GEAR LOWER END ASSEMBLY

FLOAT SERIAL NUMBERS 10314A AND PRIOR, PLUS 10333A - 10342A



ITEM	QTY	PART NO.	PART DESCRIPTION
1	1	13A06633-001	SPRING – NOSE (YELLOW)
	1	1001879	SPRING – NOSE (WHITE)
2	1	13A07232-001	PLATE - UP STOP
3	1	13A07212-002	PLATE, NOSE SPRING UPPER
4	1	13A07080-001	TROLLEY
5	2	AN8-33A	BOLT, 1/2-20 THREAD, 2-11/16" GRIP, 3-15/32" LENGTH
	2	NAS1149F0863P	WASHER, AIRFRAME, CARBON STEEL, TO FIT DIA 1/2"
	2	NAS1149F0832P	WASHER, 0.515 ID, 0.032 THK, STEEL
	2	MS21044N8	NUT, LOCKING, REGULAR HEIGHT, 1/2-20 UNF

## PARTS MANUAL

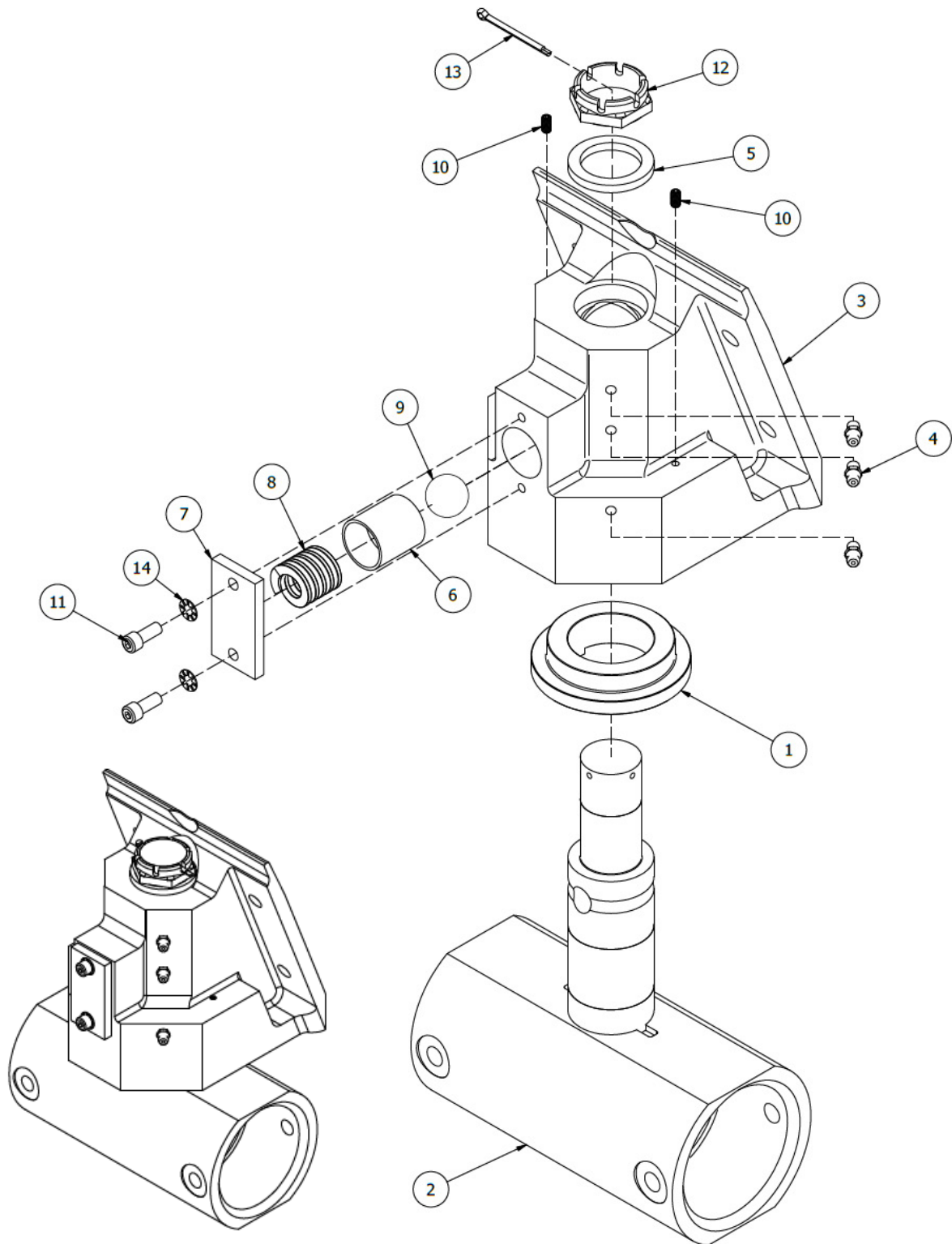
## 10000 AMPHIBIAN FLOATS ON AT-802 &amp; AT-802A - FIRE BOSS CONVERSION

ITEM	QTY	PART NO.	PART DESCRIPTION
6	2	AN7-31A	BOLT, 7/16-20 THREAD, 2-9/16" GRIP, 3-7/32" LENGTH
	2	NAS1149F0763P	WASHER, 0.453 ID, 0.063 THK, STEEL
	2	NAS1149F0732P	WASHER, 0.453 ID, 0.032 THK, STEEL
	2	MS21044N7	NUT, LOCKING, REGULAR HEIGHT, 7/16-20 UNF
7	4	AN7-24A	BOLT, 7/16-20 THREAD, 1-15/16" GRIP, 2-19/32" LENGTH
	8	NAS1149F0732P	WASHER, 0.453 ID, 0.032 THK, STEEL
	4	MS21044N7	NUT, LOCKING, REGULAR HEIGHT, 7/16-20 UNF
8	1	10A06000-039	PIVOT BLOCK ASSY.
	1	10A06000-034	PIVOT BLOCK
	1	10A06000-036	CONTACT BEARING CUP & CONE ASSEMBLY SOLD AS A SET ONLY (SHRINK FIT)
	1	10A06000-037	CONTACT BEARING CUP & CONE ASSEMBLY SOLD AS A SET ONLY (SHRINK FIT)
	1	MS21025-20	CASTLE NUT
	1	10A06462-020	WASHER - NOSE PIVOT
	1	13A06098-001	YOKE, NOSE WHEEL FORK
	1	10A06090-004	SPACER, PIVOT PIN
9	3	1095K41	GREASE ZERK
10	1	9528K32	BALL BEARING
11	1	3A06525-002	SPRING
12	1	10A06512-004	RETAINER - NOSE PIVOT BALL
13	1	3A06037-001	CAP - PIVOT BLOCK
14	2	MS16997-60	SCREW, CAP, SOCKET HEAD, 1/4-20X1.500, STEEL
	2	MS35333-40	STAR WASHER
15	1	13A06199-007	LEG - NOSE FORK LT.
16	1	13A06199-008	LEG - NOSE FORK RT.
17	1	13A06097-001	AXLE - NOSE WHEEL
	1	1095K41	GREASE ZERK
18	2	13A06251-002	SPACER - AXLE
19	2	215-125-0750	ROLL PIN
20	1	MS21025-24	NUT, AXLE
21	2	AN7-43A	BOLT, 7/16-20 THREAD, 3-13/16" GRIP, 4-15/32" LENGTH
	2	NAS1149F0763P	WASHER, 0.453 ID, 0.063 THK, STEEL
	2	NAS1149F0732P	WASHER, 0.453 ID, 0.032 THK, STEEL
	2	MS21044N7	NUT, LOCKING, REGULAR HEIGHT, 7/16-20 UNF
22	1	AN4-27A	BOLT, 1/4-28 THREAD, 2-7/16" GRIP, 2-29/32" LENGTH
	2	NAS1149F0463P	WASHER, 0.265 ID, 0.063 THK, STEEL
	1	MS21044N4	NUT, LOCKING, REGULAR HEIGHT, 1/4-28 UNF
23	1	MS24665-349	COTTER PIN
24	1	MS24665-359	COTTER PIN
25	1	13A06000-015	NOSE WHEEL ASSEMBLY (WITH TIRE AND TUBE)

ITEM	QTY	PART NO.	PART DESCRIPTION
	1	AA1E6*	TIRE, 6.00 X 6, 8 PLY
	1	XA1AD*	TUBE, 6.00 X 6
	1	MULTIPLE	ASSEMBLY, NOSE WHEEL (MULTIPLE CONFIGURATIONS EXIST, SEE FOLLOWING PAGES FOR BREAKDOWN)

\* Any alternate tire (tube type) which is TSO-approved, matches the listed tire's dimensions, and meets its speed/load/ply ratings may be used. Equivalent tubes may also be used.

## PIVOT BLOCK AND YOKE ASSEMBLY FLOAT SERIAL NUMBERS 10315A - 10332A, 10343A AND LATER (BACKWARDS COMPATIBLE)



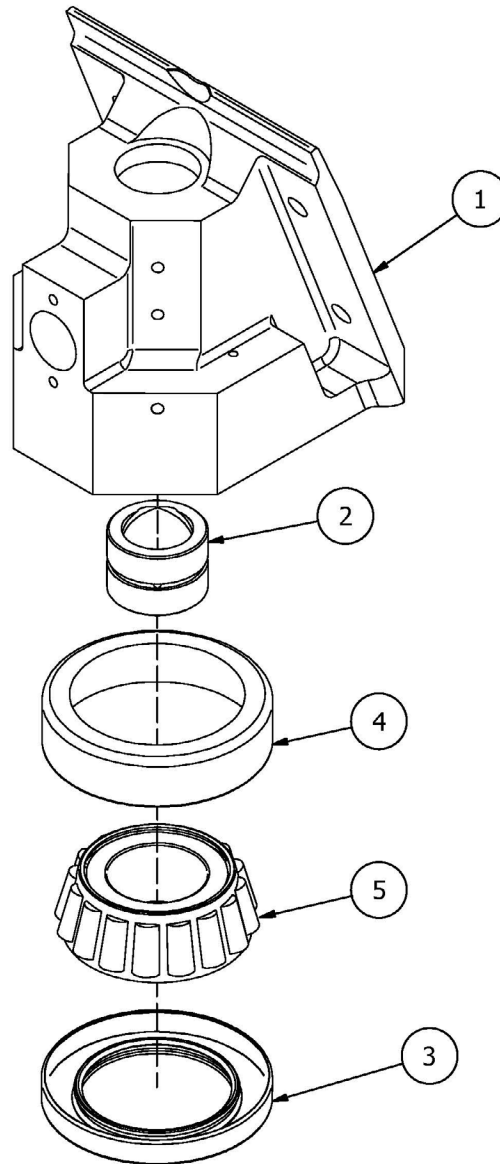
\* 1012007 Pivot Block and Yoke Assembly is available to earlier floats as it is backwards compatible for legacy floats. Assembly is standard on floats 10343A and later.

PARTS MANUAL

10000 AMPHIBIAN FLOATS ON AT-802 & AT-802A - FIRE BOSS CONVERSION

ITEM	QTY	PART NO.	PART DESCRIPTION
-	1	1012007	ASSEMBLY, PIVOT BLOCK AND YOKE
1	1	1011924	SPACER
2	1	1012005	ASSEMBLY, YOKE AND PIN
3	1	1012006	ASSEMBLY, PIVOT BLOCK WITH BEARINGS
4	3	1095K41	COMMON GREASEZERK
5	1	10A06462-020	WASHER, NOSE PIVOT
6	1	10A06512-004	RETAINER - NOSE PIVOT BALL
7	1	3A06037-001	CAP - PIVOT BLOCK
8	1	3A06525-002	SPRING, CENTERING, NOSE GEAR
9	1	9528K32	BALL BEARING
10	2	98637A365	SET SCREW, 10-32 X 3/8"
11	2	MS16997-60	SOCKET HEAD CAP SCREW
12	1	MS21025-20	NUT, AXLE
13	1	MS24665-359	COTTER PIN
14	2	MS35333-40	STAR WASHER

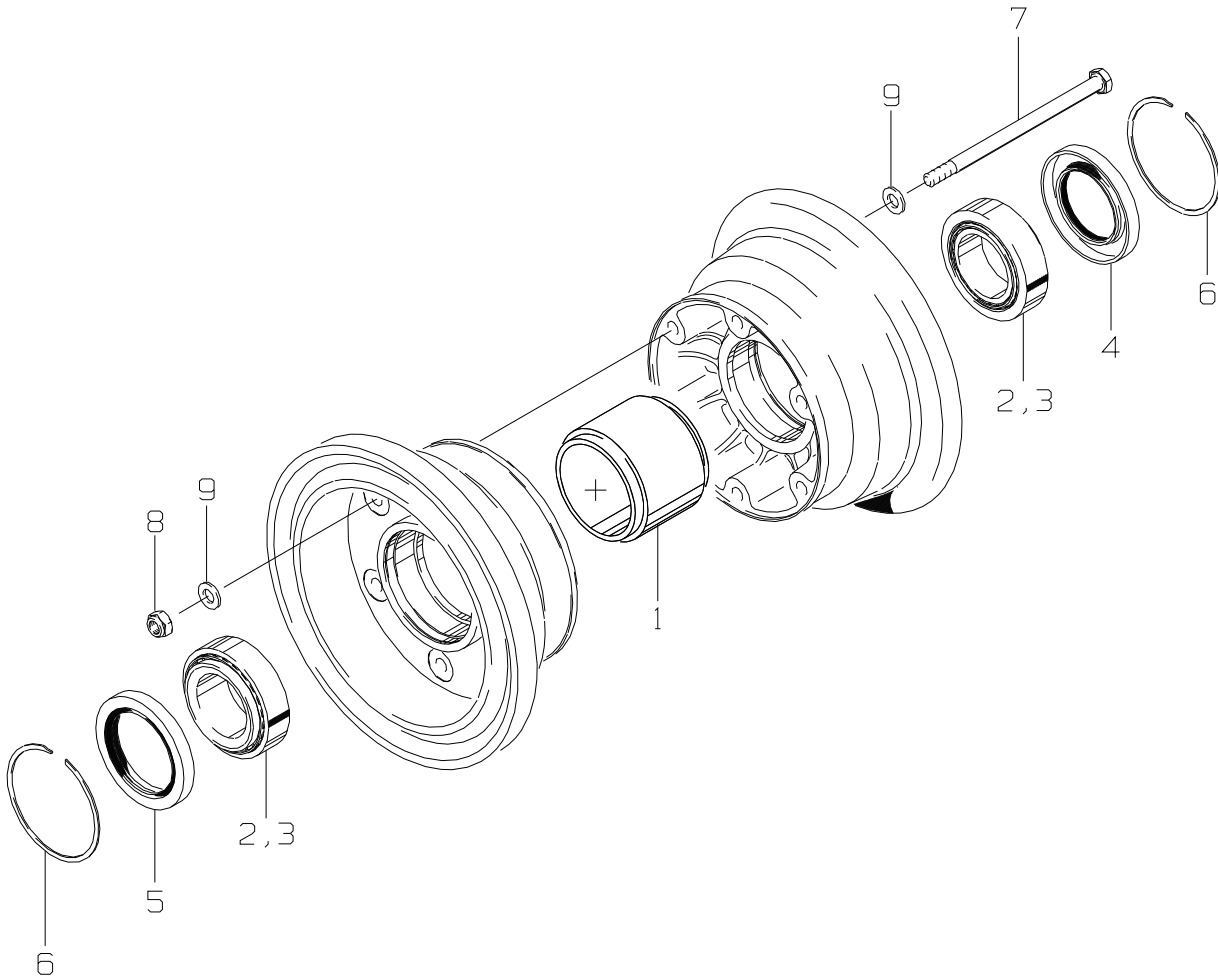
## PIVOT BLOCK WITH BEARINGS ASSEMBLY FLOAT SERIAL NUMBERS 10315A - 10332A, 10343A AND LATER (BACKWARDS COMPATIBLE\*)



ITEM	QTY	PART NO.	PART DESCRIPTION
-	1	1012006	ASSEMBLY, PIVOT BLOCK WITH BEARINGS
1	1	1011923	PIVOT BLOCK
2	1	1012004	BUSHING, BRONZE
3	1	1012380	SEAL, PIVOT BLOCK (TIMKEN 477069, #50 WEEP HOLE ADDED)
4	1	49520	CUP, BEARING, ROLLER, TAPERED
5	1	49576	CONE, BEARING, ROLLER, TAPERED

\* 1012008 Pivot Block with Bearings is available to earlier floats as it is backwards compatible, but only as part of assembly 1012007 or higher. Assembly is standard on floats 10343A and later.

**NOSE WHEEL ASSEMBLY WITHOUT TIRE**  
**MULTIPLE CONFIGURATIONS SHOWN IN TABLES BELOW**



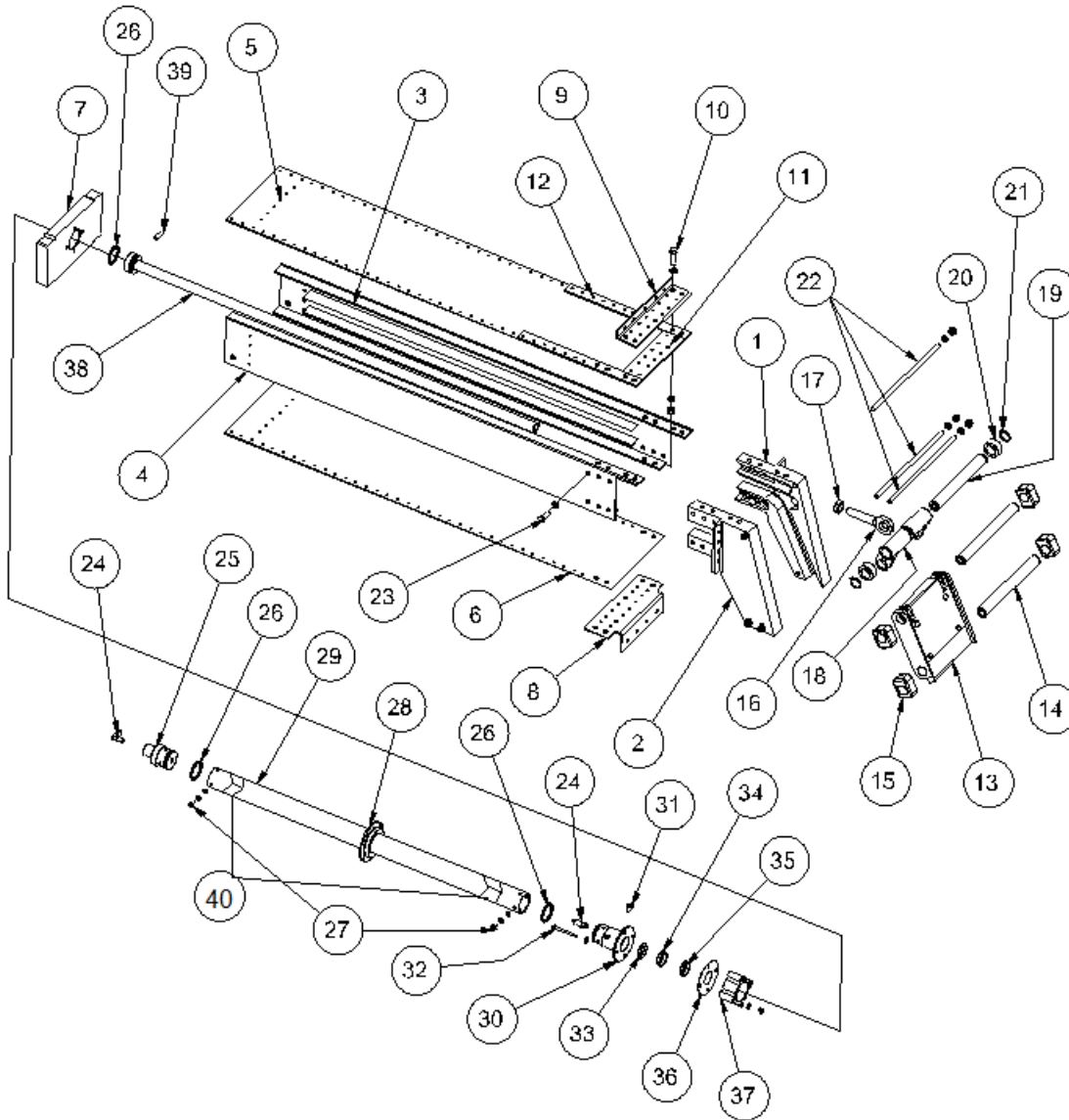
ITEM	QTY	PART NO.	PART DESCRIPTION
-	1	40-426	NOSE WHEEL ASSEMBLY, CLEVELAND
1	1	067-14700	RETAINER, GREASE
2	2	13836	CUP, BEARING
3	2	13889	CONE, BEARING
4	1	472439	GREASE SEAL, INBOARD
5	1	472439	GREASE SEAL, OUTBOARD (ADD #50 VENT HOLE)
6	2	155-14300	RING, SNAP
7	6	AN5-35A	BOLT, 5/16-24, 3.1875 GRIP, 3-23/32 LG
8	6	MS21044N5	NUT, LOCKING, REGULAR HEIGHT, 5/16-24 UNF
9	12	NAS11495F0532P	WASHER, 5/16, .032 THK



PARTS MANUAL  
 10000 AMPHIBIAN FLOATS ON AT-802 & AT-802A - FIRE BOSS CONVERSION

ITEM	QTY	PART NO.	PART DESCRIPTION
-	1	69-1020	NOSE WHEEL ASSEMBLY, GROVE, BILLET
1	1	010-082	RETAINER, GREASE
2	2	13836	CUP, BEARING
3	2	13889	CONE, BEARING
4	1	472439	GREASE SEAL, INBOARD
5	1	1002264	GREASE SEAL, OUTBOARD (INCLUDES #50 VENT HOLE)
6	2	WH-262-S02	RING, SNAP
7	6	AN5-35A	BOLT, 5/16-24, 3.1875 GRIP, 3-23/32 LG
8	6	MS21042-5	NUT, SELF LOCKING, 450°, 5/16-24 UNF
9	12	NAS1149F0516P	WASHER, 5/16, .032 THK

**NOSE GEAR RETRACTION ASSEMBLY (T-SEALS INSTALLED)**



ITEM	QTY	PART NO.	PART DESCRIPTION
1	1	13A07104-001	TRACK - FRONT LT.
2	1	13A07104-002	TRACK - FRONT RT.
3	1	13A07373-001	TRACK - SIDE LT.
4	1	13A07373-002	TRACK - SIDE RT.
5	1	13A07156-082	COVER - NOSE BOX - TOP
	4	AN5-6A	BOLT, AIRFRAME, 5/16-24 THREAD, 5/16" GRIP, 27/32" LENGTH
	8	NAS1149F0563P	WASHER, 0.328 ID, 0.063 THK, STEEL
	4	MS21044N5	NUT, HEX LOCKING NYLON INSERT STEEL 5/16-24
6	1	13A07156-083	COVER - NOSE BOX - BOTTOM
7	1	13A07201-003	END CAP - NOSE BOX

## PARTS MANUAL

## 10000 AMPHIBIAN FLOATS ON AT-802 &amp; AT-802A - FIRE BOSS CONVERSION

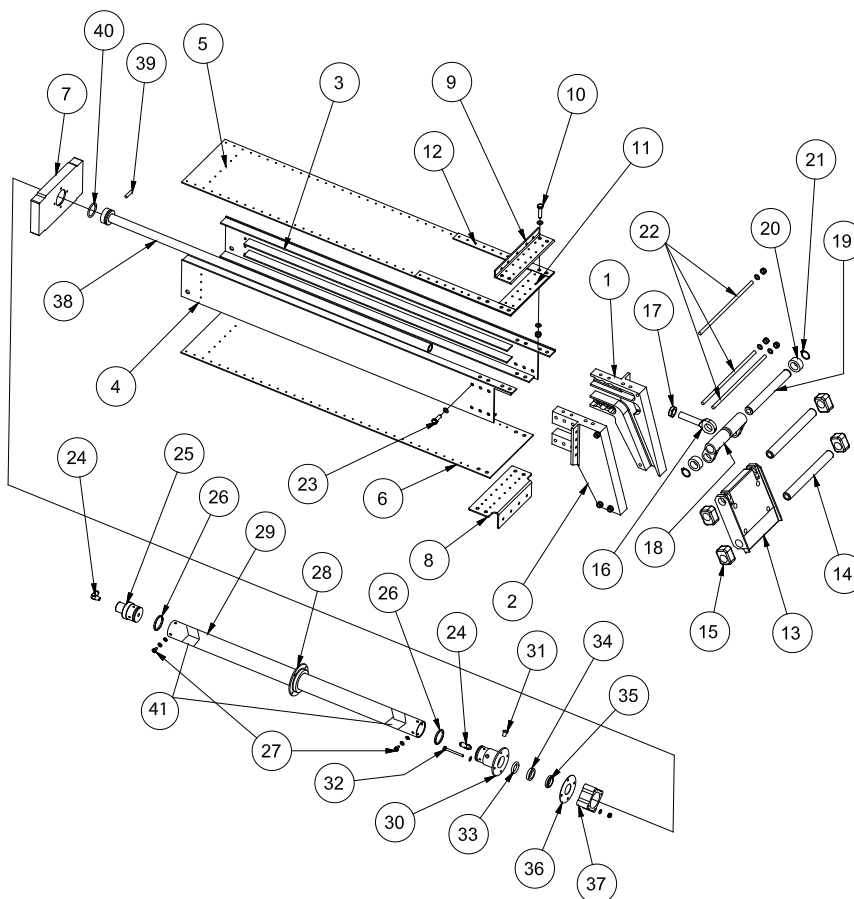
ITEM	QTY	PART NO.	PART DESCRIPTION
8	1	13A07160-011	ANGLE - NOSE BOX - BOTTOM
	4	AN5-6A	BOLT, AIRFRAME, 5/16-24 THREAD, 5/16" GRIP, 27/32" LENGTH
	8	NAS1149F0563P	WASHER, 0.328 ID, 0.063 THK, STEEL
	4	MS21044N5	NUT, HEX LOCKING NYLON INSERT STEEL 5/16-24
9	1	13A07357-048	ANGLE - NOSE BOX - TOP
10	4	AN5-12A	BOLT SIZE 5/16-24 LENGTH 1/64 - 1-11/32 GRIP LENGTH 13/16
	8	NAS1149F0563P	WASHER, 0.328 ID, 0.063 THK, STEEL
	4	MS21044N5	NUT, HEX LOCKING NYLON INSERT STEEL 5/16-24
11	1	13A07156-086	SPACERS - NOSE BOX
12	2	13A07156-087	SPACERS - NOSE BOX
13	1	13A07080-001	TROLLEY - NOSE GEAR
14	2	13A07475-001	AXLE - NOSE GEAR TROLLEY
15	4	10A07595-001	BLOCK - SLIDE
16	1	13A07257-003	ROD END
17	1	AN316-10R	JAMB NUT
18	2	13A07185-004	LINK - NOSE GEAR RAM
19	1	13A07475-002	AXLE - LINK - NOSE GEAR
20	2	13A07543-003	ROLLER - LOCK
21	2	5100-87-H	SNAP RING
22	3	13A07476-001	ROD - NOSE GEAR TRACK
	6	NAS1149F0563P	WASHER, 0.328 ID, 0.063 THK, STEEL
	6	MS21044N5	NUT, HEX LOCKING NYLON INSERT STEEL CAD 2, 5/16-24
23	12	AN5-7A	BOLT, AIRFRAME, 5/16-24 THREAD, 7/16" GRIP, 31/32" LENGTH
	24	NAS1149F0532P	WASHER, 0.328 ID, 0.032 THK, STEEL
	12	MS21044N5	NUT, HEX LOCKING NYLON INSERT STEEL 5/16-24
24	2	MS20822-4D	ELBOW FITTING, FLARED TUBE AND PIPE THREADS, 90 DEG
25	1	1002236	ASSEMBLY CYLINDER - END CAP
26	2	1002229	PISTON, T SEAL
27	8	NAS1103-2	BOLT
	8	NAS1149D0316J	WASHER, 0.203 ID, 0.016 THK, ALUMINUM
	8	MS35333-39	WASHER - STAR
	8	NAS1149D0363J	WASHER, 0.203 ID, 0.063 THK, ALUMINUM
28	1	6A05181-001	SUPPORT RING - CYLINDER
	1	MS28775-327	"O" RING, DIA 1.725
29	1	1002014	CYLINDER - OUTSIDE
30	1	1002237	FLANGE - NOSE CYLINDER
31	1	1231K2	OILER
29	1	1002014	CYLINDER - OUTSIDE
30	1	1002237	FLANGE - NOSE CYLINDER
31	1	1231K2	OILER
32	4	AN3-20A	BOLT, 10-32, 1.625 GRIP, UNDRILLED STEEL

PARTS MANUAL

10000 AMPHIBIAN FLOATS ON AT-802 & AT-802A - FIRE BOSS CONVERSION

ITEM	QTY	PART NO.	PART DESCRIPTION
	8	NAS1149F0363P	WASHER, 0.203 ID, 0.063 THK, STEEL
	4	MS21044N3	NUT, LOCKING, REGULAR HEIGHT, 10-32 UNF
33	2	1002230	ROD, T -SEAL
34	1	6A07580-005	FELT - WIPER
35	1	8880510	WIPER - NYLON
36	1	6A07158-129	SPACER – NOSE CYLINDER
37	1	6A07264-003	SPACER - FLANGE
38	1	13A07000-012	ASSEMBLY - RAM
39	1	3A05701-001	MAGNET, HOOK LATCH, MAIN GEAR
40	2	3A07005-178	CLIP, SWITCH, NOSE & MAIN

## NOSE GEAR RETRACTION ASSEMBLY (O-RINGS INSTALLED)



ITEM	QTY	PART NO.	PART DESCRIPTION
1	1	13A07104-001	TRACK – FRONT L.
2	1	13A07104-002	TRACK – FRONT R.
3	1	13A07373-001	TRACK – SIDE L.
4	1	13A07373-002	TRACK – SIDE R.
5	1	13A07156-082	COVER – NOSE BOX – TOP
	4	AN5-6A	BOLT, AIRFRAME, 5/16-24 THREAD, 5/16" GRIP, 27/32" LENGTH
	8	NAS1149F0563P	WASHER, 0.328 ID, 0.063 THK, STEEL
	4	MS21044N5	NUT, HEX LOCKING NYLON INSERT STEEL 5/16-24
6	1	13A07156-083	COVER – NOSE BOX – BOTTOM
7	1	13A07201-003	END CAP – NOSE BOX
8	1	13A07160-011	ANGLE – NOSE BOX – BOTTOM
	4	AN5-6A	BOLT, AIRFRAME, 5/16-24 THREAD, 5/16" GRIP, 27/32" LENGTH
	8	NAS1149F0563P	WASHER, 0.328 ID, 0.063 THK, STEEL
	4	MS21044N5	NUT, HEX LOCKING NYLON INSERT STEEL 5/16-24
9	1	13A07357-048	ANGLE – NOSE BOX – TOP

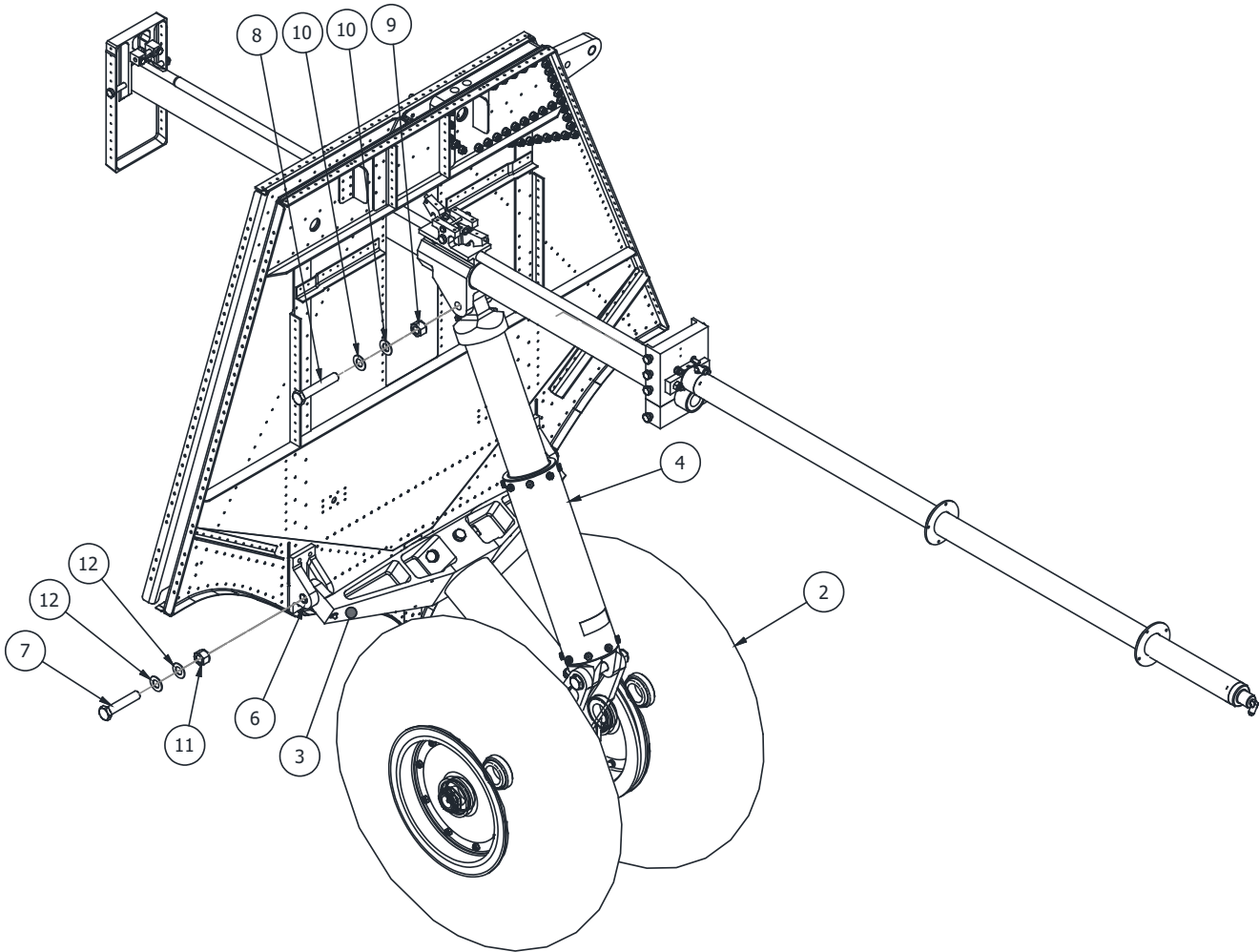
PARTS MANUAL  
10000 AMPHIBIAN FLOATS ON AT-802 & AT-802A - FIRE BOSS CONVERSION

ITEM	QTY	PART NO.	PART DESCRIPTION
10	4	AN5-12A	BOLT SIZE 5/16-24 LENGTH 1/64 - 1-11/32 GRIP LENGTH 13/16
	8	NAS1149F0563P	WASHER, 0.328 ID, 0.063 THK, STEEL
	4	MS21044N5	NUT, HEX LOCKING NYLON INSERT STEEL 5/16-24
11	1	13A07156-086	SPACERS – NOSE BOX
12	2	13A07156-087	SPACERS – NOSE BOX
13	1	13A07080-001	TROLLEY – NOSE GEAR
14	2	13A07475-001	AXLE – NOSE GEAR TROLLEY
15	4	10A07595-001	BLOCK – SLIDE
16	1	13A07257-003	ROD END
17	1	AN316C10R	JAMB NUT
18	2	13A07185-004	LINK – NOSE GEAR RAM
19	1	13A07475-002	AXLE – LINK – NOSE GEAR
20	2	13A07543-003	ROLLER – LOCK
21	2	5100-87-H	SNAP RING
22	3	13A07476-001	ROD – NOSE GEAR TRACK
	6	NAS1149F0463P	WASHER, 0.265 ID, 0.063 THK, STEEL
	6	MS21044N4	NUT, LOCKING, REGULAR HEIGHT, 1/4-28 UNF
23	12	AN5-7A	BOLT, AIRFRAME, 5/16-24 THREAD, 7/16" GRIP, 31/32" LENGTH
	24	NAS1149F0532P	WASHER, 0.328 ID, 0.032 THK, STEEL
	12	MS21044N5	NUT, HEX LOCKING NYLON INSERT STEEL 5/16-24
24	2	MS20822-4D	ELBOW FITTING, FLARED TUBE AND PIPE THREADS, 90 DEG
25	1	6A05268-001	CYLINDER – END CAP
26	2	MS28775-220	O RING, DIA 1.359, AN6227-25
27	8	NAS1103-2	BOLT
	8	NAS1149D0363J	WASHER, 0.203 ID, 0.063 THK, ALUMINUM
	8	MS35333-39	WASHER - STAR
		NAS1149D0316J	WASHER, 0.203 ID, 0.016 THK, ALUMINUM
28	1	6A05181-001	SUPPORT RING – CYLINDER
	1	MS28775-327	"O" RING, DIA 1.725
29	1	13A07116-006	CYLINDER – OUTSIDE
30	1	6A07264-002	FLANGE – NOSE CYLINDER
31	1	1205K12	OILER
	8	NAS1149F0363P	WASHER, 0.203 ID, 0.063 THK, STEEL
	8	MS35333-39	WASHER - STAR
28	1	6A05181-001	SUPPORT RING – CYLINDER
	1	MS28775-327	"O" RING, DIA 1.725
29	1	13A07116-006	CYLINDER – OUTSIDE
30	1	6A07264-002	FLANGE – NOSE CYLINDER
31	1	1205K12	OILER
32	4	AN3-20A	BOLT, 10-32, 1.625 GRIP, UNDRILLED STEEL
	8	NAS1149F0363P	WASHER, 0.203 ID, 0.063 THK, STEEL

PARTS MANUAL  
 10000 AMPHIBIAN FLOATS ON AT-802 & AT-802A - FIRE BOSS CONVERSION

ITEM	QTY	PART NO.	PART DESCRIPTION
	4	MS21044N3	NUT, LOCKING, REGULAR HEIGHT, 10-32 UNF
33	1	MS28775-316	"O" RING, HYDRAULIC
34	1	6A07580-005	FELT – WIPER
35	1	8880510	WIPER – NYLON
36	1	6A07158-129	PLATE – FLANGE
37	1	6A07264-003	SPACER – FLANGE
38	1	13A07000-012	ASSEMBLY – RAM
39	1	3A05701-001	MAGNET, HOOK LATCH, MAIN GEAR
40	1	MS28775-219	O RING, DIA 1.296, AN6227-24
41	2	3A07005-178	CLIP, SWITCH, NOSE & MAIN

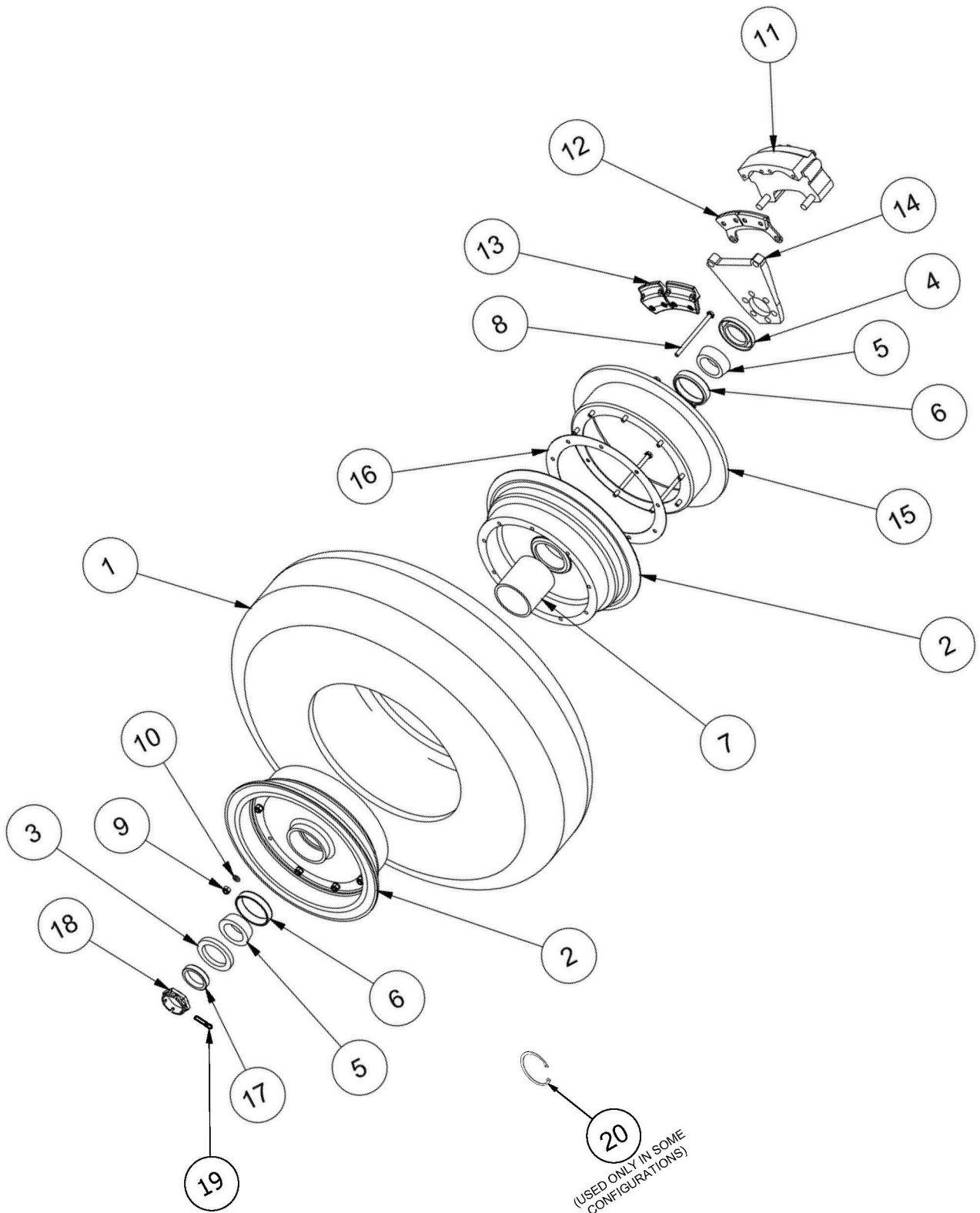
## MAIN GEAR ASSEMBLY



ITEM	QTY	PART NO.	PART DESCRIPTION
1	1	13A04000-056	MAIN AXLE SHOCK STRUT WHEEL & BRAKE
2	2	13A04000-055	MAIN WHEEL ASSEMBLY
3	1	13A04000-057	ASSEMBLY, DRAG BRACE, 13000 & 10000
4	1	13A04000-059	ASSEMBLY - SHOCK STRUT
5	1	13A04030-002	ASSEMBLY, TRUNION, DRAG BRACE, RIGHT
6	1	13A04030-003	ASSEMBLY, TRUNION, DRAG BRACE, LEFT
7	2	AN10-32A	BOLT, 5/8-18 THREAD, STEEL CAD II PLATED
8	1	AN10-34A	BOLT, 5/8-18 THREAD, 2-11/16" GRIP, 3-41/64" LENGTH
9	1	MS21044N10	NUT, 5/8-18 THREAD, NYLON INSERT, 250 DEG
10	2	NAS1149F1063P	WASHER, AIRFRAME, CARBON STEEL, TO FIT DIA 5/8"
11	2	MS21044N10	NUT, SELFLOCKING, 5/8-18 THREAD, NYLON INSERT, 250 DEG
12	4	NAS1149D1063J	WASHER, ALUMINUM, TO FIT DIA 5/8", ANODIZED FINISH



### MAIN GEAR WHEEL ASSEMBLY

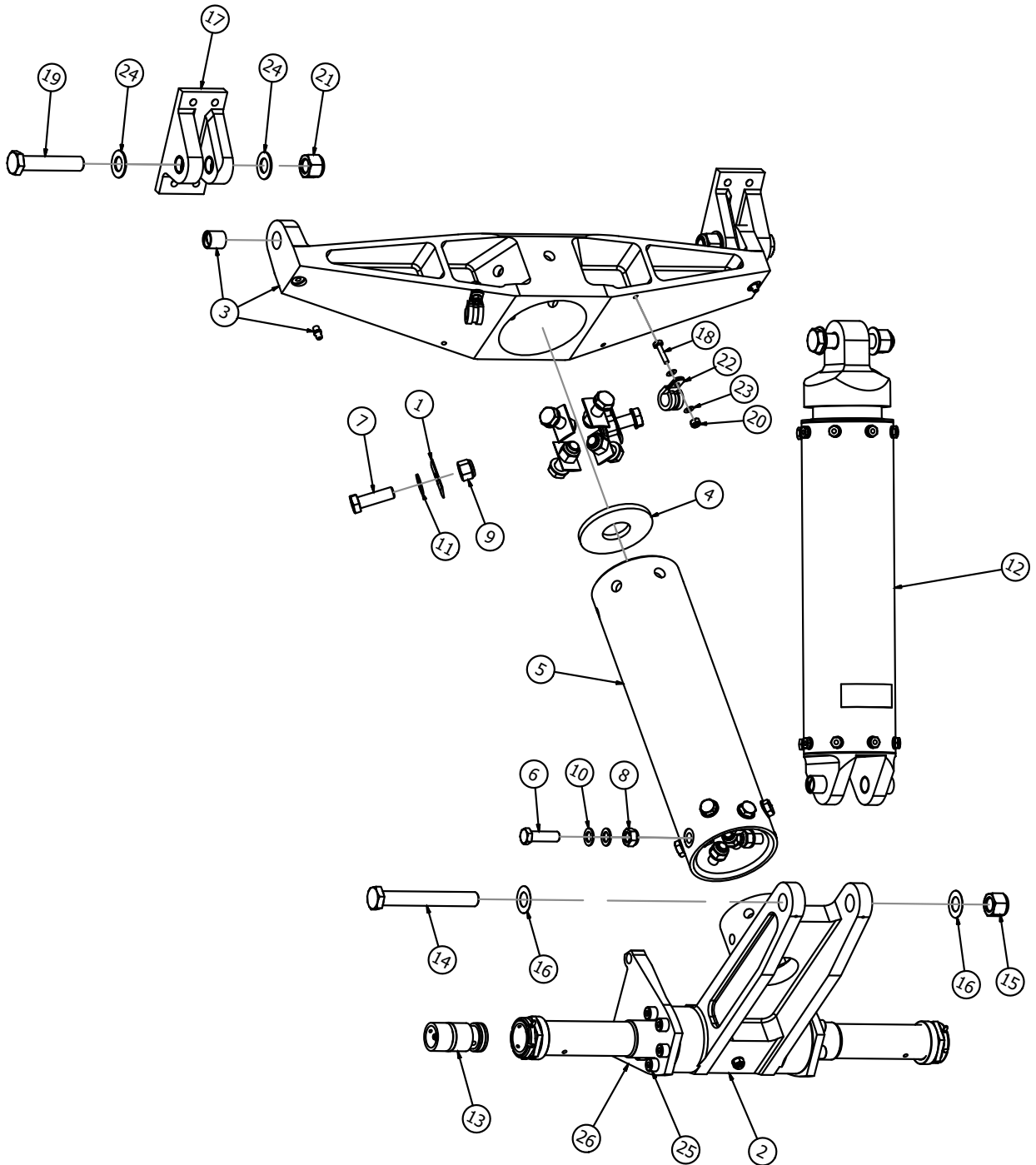


PARTS MANUAL  
10000 AMPHIBIAN FLOATS ON AT-802 & AT-802A - FIRE BOSS CONVERSION

ITEM	QTY	PART NO.	PART DESCRIPTION
-	-	13A04000-055	MAIN WHEEL ASSEMBLY & TIRE (INCLUDES ITEMS 1 & 2)
1	1	AA1N6*	TIRE, 8.50 X 10.00 - 8, MAIN 10000 & 13000
	1	XA1AM*	TUBE, 8.50 X 10, MAIN 10000 & 13000
2	1	13A04000-127	MAIN WHEEL ASSEMBLY (INCLUDES ITEMS 3-10, 15, 16)
	1	100-1024 (ALT)	MAIN WHEEL ASSEMBLY, GROVE (ALT, INCLUDES ITEMS 3-10, 15, 20)
3	1	1001994	SEAL, OUTER (EXPANDED VERSION FOR 13A04000-127 ASS'Y)
	1	472439	SEAL, OUTER (FOR 100-1024 ASS'Y, ADD #50 VENT HOLE)
4	1	1001996	SEAL, INNER (EXPANDED VERSION FOR 13A04000-127 ASS'Y)
	1	473232	SEAL, INNER (FOR 100-1024 ASS'Y)
5	2	LM29749	BEARING, CONE, NON-CHROME, 2-1/2" DIA
6	2	LM29710	BEARING, CUP, NON-CHROME, 2-3/8" DIA
7	1	067-06300	SPACER, GREASE RETAINER (USED IN 13A04000-127 ASS'Y)
	1	026-016	SPACER, GREASE RETAINER (USED IN 100-1024 ASS'Y)
	2	MS28775-035	O-RING (NOT SHOWN, USED IN 100-1024 ASS'Y)
8	9	AN4-40A	BOLT, AIRFRAME, 1/4-28 THREAD, 3-9/16" GRIP, 4-1/32" LENGTH
9	9	MS21044N4	NUT, HEX LOCKING NYLON INSERT, 1/4-28
10	15	NAS1149F0463P	WASHER FLAT, SCREW SIZE 1/4 OD.500 ID.265 THK.063
11	1	13A04000-191	BRAKE ASSEMBLY, RIGHT
	1	13A04000-192	BRAKE ASSEMBLY, LEFT
	2	MS28775-222	O RING, DIA 1.484
12	1	073-01500	PRESSURE PLATE ASSY, 2 BRAKE LININGS, 4 HOLES, 4-3/4"
	2	066-10800	BRAKE LINING, LENGTH 2-1/4", 2 HOLES 1/8"
	4	105-00200	RIVET BRAKE LINING, 1/8" DIA, GOLD
13	2	074-01300	BACK PLATE, BREAK LINING, LENGTH 2-1/2", 2 HOLES 1/4"
	1	066-10800	BRAKE LINING, LENGTH 2-1/4", 2 HOLES 1/8"
	2	105-00200	RIVET BRAKE LINING, 1/8" DIA, GOLD
	1	081-00200	BLEEDER SEAT FITTING, 1/4" HOLE INSERT, 1/2" SCREW
	1	079-00300	BLEEDER SCREW, A30085, 79-3, 1/4"
14	1	075-04200	TORQUE PLATE, 1-3/4" DIA, LENGTH 6-1/2"
	6	MS16997-99	SCREW, CAP, SOCKET HEAD, 3/8-16 X 1.000, STEEL
15	1	164-03006	BRAKE DISC, (USED IN 13A04000-127 ASS'Y)
	1	018-140	BRAKE DISC, NON-CHROME (USED IN 100-1024 ASS'Y)
16	1	13A04620-002	SPACER, TEFLON
17	1	6A04093-002	SPACER, MAIN WHEEL AXLE
18	1	MS21025-24	NUT, AXLE
19	1	MS24665-349	COTTER PIN
20	1	HO-262 STZD	SNAP RING, STEEL, ZINC DICHROMATE (ORIGINAL EQUIP FOR 100-1024 GROVE WHEEL ASSEMBLY ONLY)
	1	HO-262 SS	SNAP RING, STAINLESS (ALT, 100-1024 GROVE WHEEL ASSEMBLY ONLY)

\* Any alternate tire (tube type) which is TSO-approved, matches the listed tire's dimensions, and meets its speed/load/ply ratings may be used. Equivalent tubes may also be used.

### MAIN GEAR AXLE ASSEMBLY

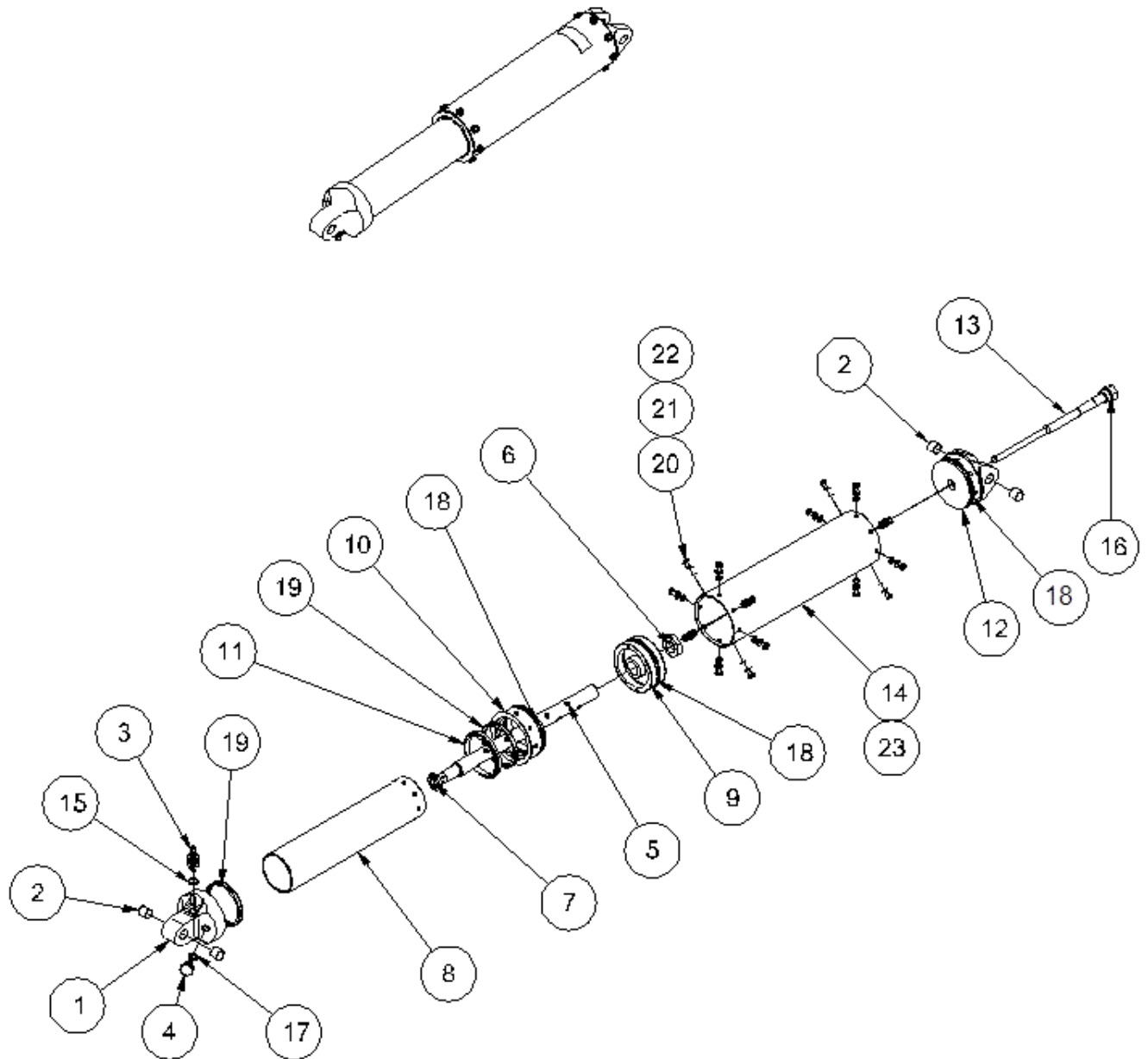


PARTS MANUAL

10000 AMPHIBIAN FLOATS ON AT-802 & AT-802A - FIRE BOSS CONVERSION

ITEM	QTY	PART NO.	PART DESCRIPTION
1	6	1008027	WASHER, CUSTOM, DRAG BRACE
2	1	13A04000-058	AXLE ASSY.-MAIN GEAR
3	1	13A04081-001	ASSEMBLY, DRAG BRACE (INCLUDES BUSHINGS AND GREASE FITTINGS)
	2	1001886-01	BUSHING, SLEEVE OIL GROOVED (.625"ID X .750"OD X .750"L)
	2	1095K41	FITTING, 1/4-28 MALE & BALL VALVE, 10PCS/PKG, 1/2" LENGTH
4	1	13A04231-003	PLUG, DRAG TUBE
5	1	13A04289-001	TUBE, MAIN GEAR
6	8	AN7-13A	BOLT, 7/16-20 THREAD, 13/16" GRIP, 1-15/32" LENGTH
7	6	AN8-14A	BOLT, AIRFRAME, 1/2-20 THREAD, 13/16" GRIP, 1-19/32" LENGTH
8	8	MS21044N7	NUT, LOCKING, REGULAR HEIGHT, 7/16-20 UNF
9	6	MS21044N8	NUT, SELF LOCKING, 1/2-20 THREAD, NYLON INSERT, 250 DEG.
10	16	NAS1149D0763J	WASHER, ALUMINUM, TO FIT DIA 7/16", ANODIZED FINISH
11	6	NAS1149D0863J	WASHER, ALUMINUM, TO FIT DIA 1/2", ANODIZED FINISH
12	1	13A04000-059	ASSEMBLY - SHOCK STRUT
13	2	6A04263-003	GREASE INSERT-MAIN AXLE
	4	MS28775-214	O RING, DIA 0.984
14	1	AN10-46A	BOLT, 5/8-18 THREAD, 3-15/16" GRIP, 4-57/64" LENGTH
15	1	MS21044N10	NUT, SELF LOCKING, 5/8-18 THREAD, NYLON INSERT, 250 DEG
16	2	NAS1149D1016J	WASHER, ALUMINUM, TO FIT DIA 5/8", ANODIZED FINISH
17	1	13A04030-003	ASSEMBLY, TRUNION, DRAG BRACE, LEFT
18	2	AN3-7A	BOLT SIZE 10-32, LENGTH +/- 1/64 - 29/32, GRIP LENGTH 1/2
19	2	AN10-32A	BOLT, 5/8-18 THREAD, STEEL CAD II PLATED, NO HOLE SHANK
20	2	MS21044N3	NUT, HEX LOCKING NYLON INSERT STEEL CAD 2, 10-32
21	2	MS21044N10	NUT, SELF LOCKING, 5/8-18 THREAD, NYLON INSERT, 250 DEG
22	2	MS21919WDG9	CLAMP, DIA 9/16", ALUMINUM BAND, CHLOROPRENE CUSHION
23	4	NAS1149D0316J	WASHER, 0.203 ID, 0.016 THK, ALUMINUM
24	4	NAS1149D1063J	WASHER, ALUMINUM, TO FIT DIA 5/8", ANODIZED FINISH
25	12	MS16997-99	SCREW, CAP, SOCKET, HEAD
26	2	075-04200	TORQUE PLATE

### OLEO SHOCK STRUT ASSEMBLY (T-SEALS INSTALLED)

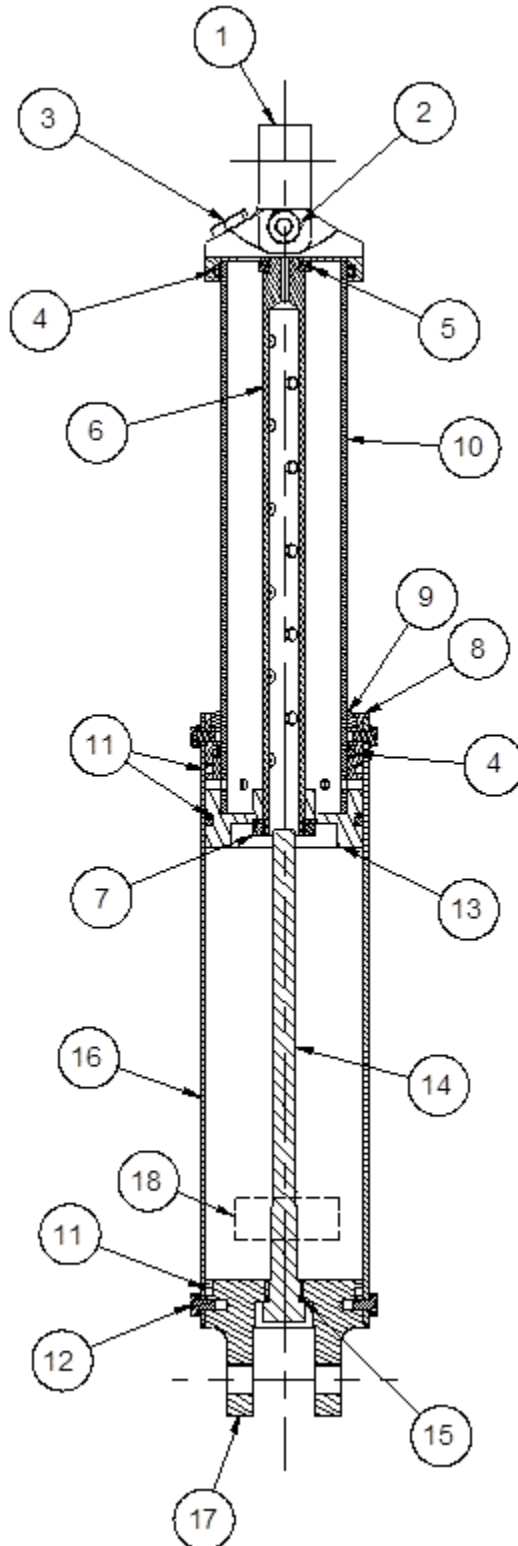


PARTS MANUAL

10000 AMPHIBIAN FLOATS ON AT-802 & AT-802A - FIRE BOSS CONVERSION

ITEM	QTY	PART NO.	PART DESCRIPTION
-	1	13A04000-059	SHOCK STRUT ASSEMBLY (COMPLETE)
-	1	KT13A04-001	OLEO REBUILD KIT (INCLUDES ITEMS 11, 15, 16, 17, 18, 19)
1	1	13A04098-003	CAP - UPPER END
2	4	10DU10	TEFLON LINED BEARING, 5/8" DIA, 5/8" LENGTH
3	1	MS28889-2	VALVE
4	1	6A04271-003	PLUG
5	1	1001031	METERING TUBE
6	1	6A04276-001	NUT, CHECK, SHOCK STRUT LOWER
7	1	6A04275-001	NUT, CHECK, SHOCK STRUT UPPER
8	1	13A04498-002	INNER CYLINDER
9	1	13A04098-005	PISTON
10	1	13A04297-002	GLAND
11	1	8881910	WIPER (HALLITE INC.)
12	1	13A04098-004	CAP, LOWER END
13	1	13A04261-006	METERING PIN
14	1	13A04119-001	OUTER CYLINDER
15	1	MS28775-015	O RING, DIA 0.551
16	1	MS28775-116	O RING, DIA 0.737, AN6227-14
17	1	MS28775-111	O RING, DIA 0.424, AN6227-9
18	3	1001930	T-SEAL
19	2	1001929	T-SEAL
20	16	NAS6204-2	BOLT, CLOSE TOLERANCE, 1/4-28 UNF, 1.062 GRIP
21	16	MS35333-40	STAR WASHER
22	16	NAS1149D0463J	WASHER, 0.265 ID, 0.063 THK, ALUMINUM
23	1	7A3-4089	PLACARD

### OLEO SHOCK STRUT ASSEMBLY (O-RINGS INSTALLED)

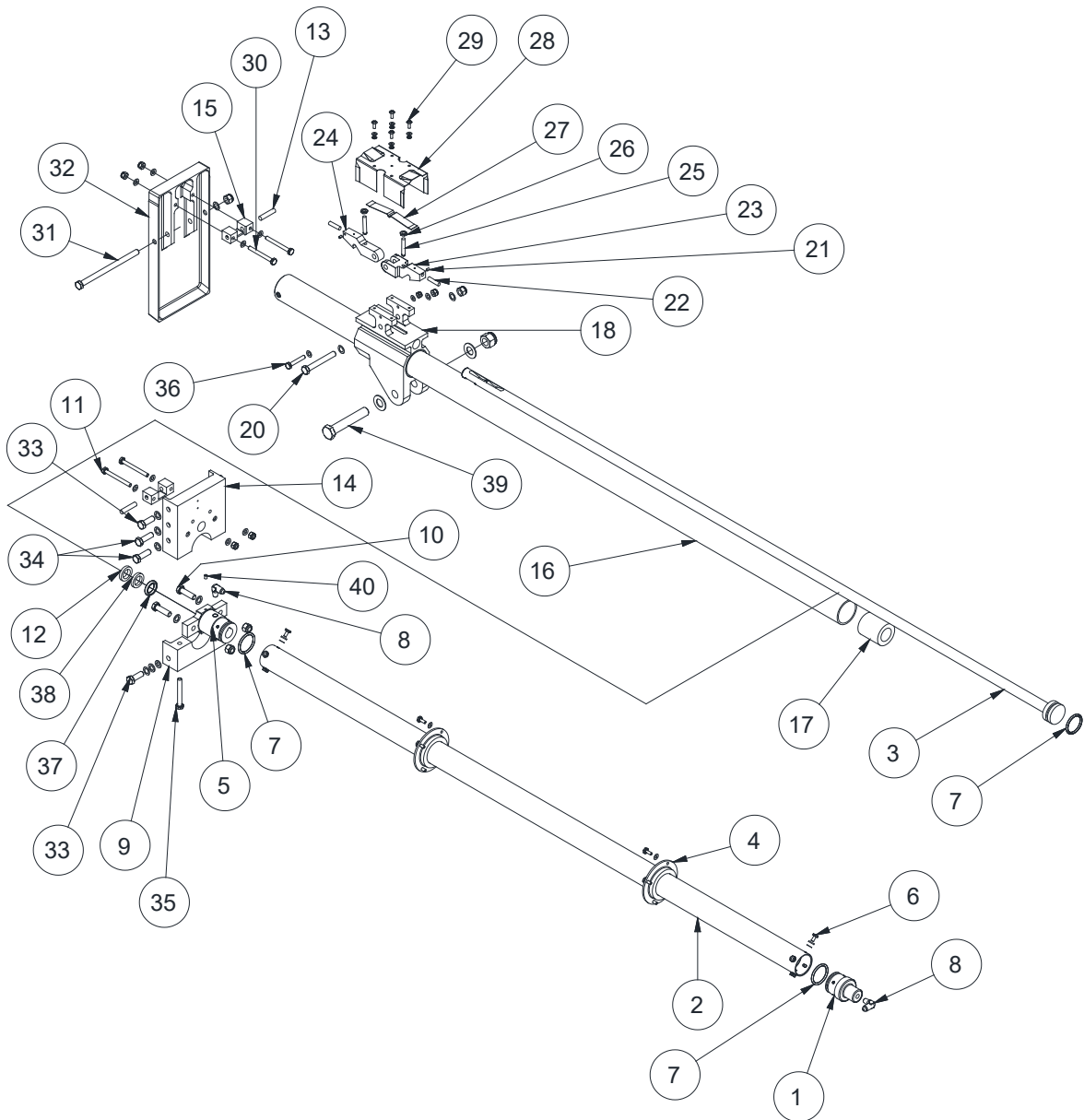


PARTS MANUAL  
10000 AMPHIBIAN FLOATS ON AT-802 & AT-802A - FIRE BOSS CONVERSION

ITEM	QTY	PART NO.	PART DESCRIPTION
-	1	13A04000-059	ASSY SHOCK STRUT (COMPLETE)
1	1	13A04098-003	CAP UPPER END
	1	10DU10	TEFLON LINED BEARING, 5/8" DIA, 5/8" LENGTH
2	1	MS28889-2	VALVE, AIR, HIGH PRESSURE CHARGING, 5000 PSI
	1	MS28775-015	O RING, DIA 0.551
3	1	6A04271-003	CAP-FILLER
	1	MS28775-111	O RING, DIA 0.424, AN6227-9
4	2	MS28775-337	O RING, DIA 2.975
5	1	6A04275-001	NUT, CHECK, SHOCK STRUT UPPER
6	1	1001031	METERING TUBE
7	1	6A04276-001	NUT, CHECK, SHOCK STRUT LOWER
8	1	13A04297-002	GLAND
9	1	8881910	WIPER
10	1	13A04498-002	INNER CYLINDER, SHOCK STRUT
11	3	MS28775-340	O RING, DIA 3.35
12	16	NAS6204-2	BOLT, CLOSE TOLERANCE, 1/4-28 UNF, 1.062 GRIP
	16	NAS1149D0463J	WASHER, 0.265 ID, 0.063 THK, ALUMINUM
	16	MS35333-40	STAR WASHER
13	1	13A04098-005	PISTON
14	1	13A04261-006	METERING TUBE
15	1	MS28775-116	O RING, DIA 0.737, AN6227-14
16	1	13A04119-001	OUTER CYLINDER, SHOCK STRUT
17	1	13A04098-004	CAP-LOWER END
	2	10DU10	TEFLON LINED BEARING, 5/8" DIA, 5/8" LENGTH
18	1	7A3-4089	PLACARD



### MAIN GEAR RETRACTION (T-SEALS INSTALLED)



ITEM	QTY	PART NO.	PART DESCRIPTION
1	1	1002236	ASSEMBLY CYLINDER - END CAP
2	1	1002010	CYLINDER, RAM, MAIN, 10000 & 13000
3	1	1002224	ASSEMBLY, RAM, MAIN GEAR, 10000 & 13000
4	2	6A05181-001	RING - CYLINDER SUPPORT
	2	MS28775-327	"O" RING, DIA 1.725
	8	AN3-4A	BOLT, 10-32, 0.125 GRIP, UNDRILLED, STEEL
	8	NAS1149F0363P	WASHER, 0.203 ID, 0.063 THK, STEEL
	8	MS21044N3	NUT, LOCKING, REGULAR HEIGHT, 10-32 UNF
5	1	1002235	ASSEMBLY CYLINDER FLANGE, MAIN GEAR

PARTS MANUAL  
10000 AMPHIBIAN FLOATS ON AT-802 & AT-802A - FIRE BOSS CONVERSION

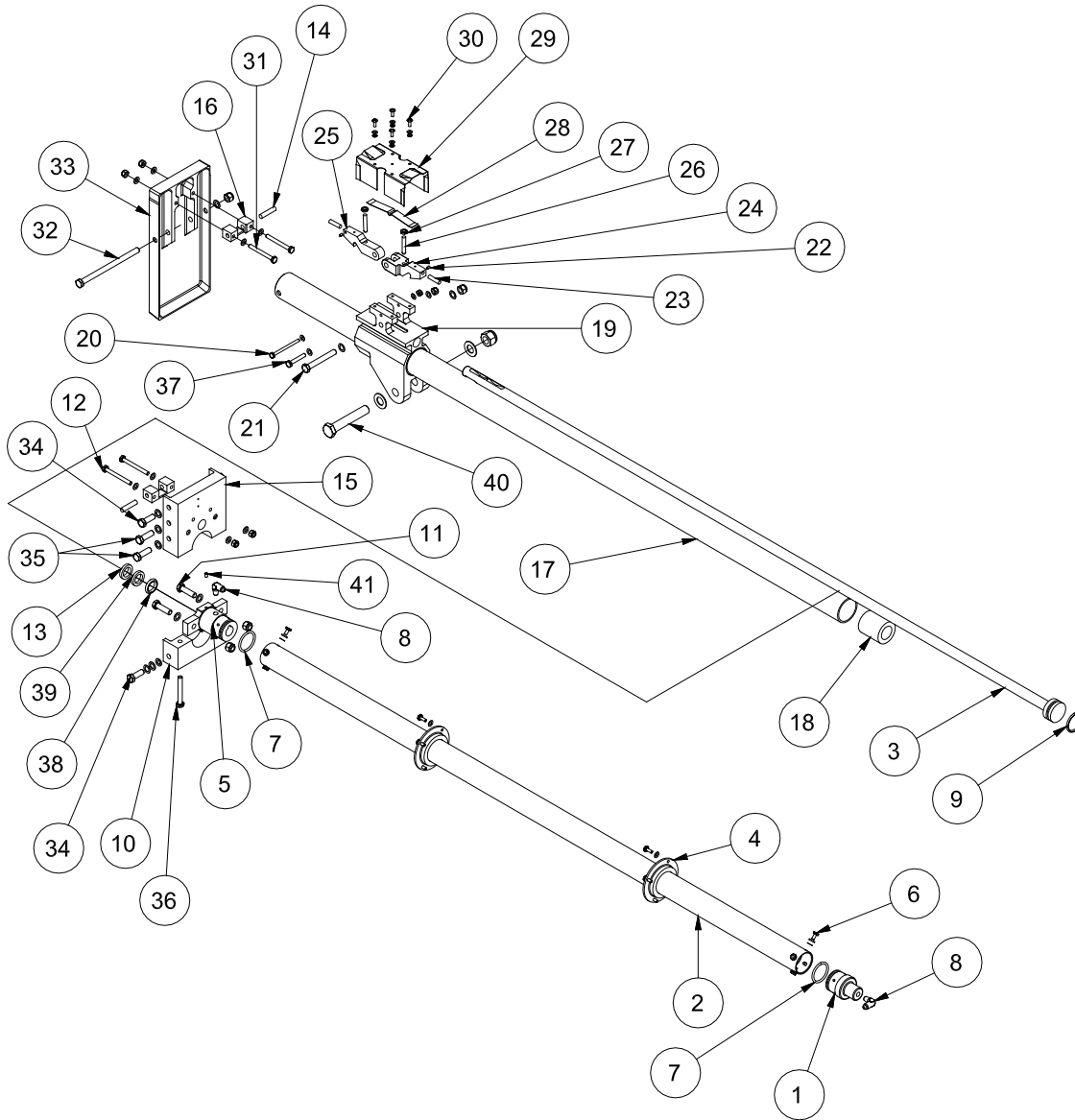
ITEM	QTY	PART NO.	PART DESCRIPTION
6	8	NAS6203-2	BOLT
	8	NAS1149D0363J	WASHER, 0.203 ID, 0.063 THK, ALUMINUM
	8	MS35333-39	WASHER - STAR
7	2	1002229	PISTON, T SEAL
8	2	MS20822-4D	ELBOW FITTING, FLARED TUBE AND PIPE THREADS, 90 DEG
9	1	13A05073-004	CAP - FITTING, AFT, SLIDE TUBE
10	2	AN6-12A	BOLT, AIRFRAME, 3/8-24 THREAD, 11/16" GRIP, 1-21/64" LENGTH
	4	NAS1149F0663P	WASHER, 0.39 ID, 0.063 THK, STEEL
	2	MS21044N6	NUT, LOCKING, REGULAR HEIGHT, 3/8-24 UNF
11	2	AN4-24A	BOLT, AIRFRAME, 1/4-28 THREAD, 2-1/16" GRIP, CARBON STEEL
	4	NAS1149F0463P	WASHER, 0.265 ID, 0.063 THK, STEEL
	2	MS21044N4	NUT, LOCKING, REGULAR HEIGHT, 1/4-28 UNF
12	1	8880410	WIPER - NYLON
13	2	6A05702-008	PIN, MAIN GEAR LOCK
14	1	13A05064-002	FITTING - AFT, SLIDE TUBE
15	2	6A05193-001	CATCH LOCK HOOK
16	1	13A05120-001	TUBE, SLIDE, MAIN GEAR
17	1	13A05099-001	END, SLIDE TUBE
18	1	1002239	CARRIAGE
	2	32DU16	BUSHING (GARLOCK X 2)
19	1	AN3-25A	BOLT, AIRFRAME, 10-32 THREAD, 2-1/4" GRIP, 2-21/32" LENGTH
	2	NAS1149F0363P	WASHER, 0.203 ID, 0.063 THK, STEEL
	1	MS21044N3	NUT, LOCKING, REGULAR HEIGHT, 10-32 UNF
20	1	AN6-26A	BOLT SIZE 3/8-24, LENGTH 1/64 - 2-53/64, GRIP LENGTH 2-3/16
	2	NAS1149D0663J	WASHER, 0.39 ID, 0.063 THK, ALUMINUM
	1	MS21044N6	NUT, LOCKING, REGULAR HEIGHT, 3/8-24 UNF
21	2	10-32X3/16 S.S.CP	SET SCREW, 10-32 X 3/16 S.S CP
22	2	3A05701-001	MAGNET, HOOK LATCH, MAIN GEAR
23	1	6A05042-001	HOOK - MAIN GEAR LOCK
24	1	6A05041-001	LOCK - MAIN, FWD, 61, 8, 10, 13
25	2	6A05087-001	SCREW, ADJUSTING, MAIN GEAR LOCK
26	2	AN316-4R	JAMB NUT
27	1	6A05533-001	SPRING - LOCK
28	1	6A05158-019	COVER - CARRIAGE
29	4	AN526-832R8	SCREW - COVER ATTACH
	4	NAS1149FN816P	WASHER, 0.174 ID, 0.016 THK, STEEL
	4	MS35333-38	STAR WASHER
30	2	AN4-24A	BOLT, AIRFRAME, 1/4-28 THREAD, 2-1/16" GRIP, CARBON STEEL
	4	NAS1149F0463P	WASHER, 0.265 ID, 0.063 THK, STEEL
	2	MS21044N4	NUT, LOCKING, REGULAR HEIGHT, 1/4-28 UNF
31	1	AN6-56A	BOLT, AIRFRAME, 3/8-24 THREAD, 5-3/16" GRIP, 5-53/64 LENGTH

## PARTS MANUAL

## 10000 AMPHIBIAN FLOATS ON AT-802 &amp; AT-802A - FIRE BOSS CONVERSION

ITEM	QTY	PART NO.	PART DESCRIPTION
	1	NAS1149F0663P	WASHER, 0.39 ID, 0.063 THK, STEEL
	1	MS21044N6	NUT, LOCKING, REGULAR HEIGHT, 3/8-24 UNF
32	1	13A01210-003	FITTING FWD TUNNEL
33	4	AN6-10A	BOLT, AIRFRAME, 3/8-24 THREAD, 7/16" GRIP, 1-5/64" LENGTH
	4	MS1149D0663J	WASHER
	4	MS21044N6	NUT, LOCKING, REGULAR HEIGHT, 3/8-24 UNF
34	4	AN6-11A	BOLT, 3/8-24, 0.5625 GRIP, UNDRILLED, STEEL
	4	NAS1149D0663J	WASHER, 0.39 ID, 0.063 THK, ALUMINUM
	4	MS21044N5	NUT, HEX LOCKING NYLON INSERT STEEL 5/16-24
35	2	AN5H22A	BOLT, AIRFRAME, 5/16-24 THREAD, 1-13/16" GRIP, STEEL CAD
	2	NAS1149F0563P	WASHER, 0.328 ID, 0.063 THK, STEEL
	2	MS21044N5	NUT, HEX LOCKING NYLON INSERT STEEL 5/16-24
36	1	AN4-14A	BOLT, 1/4-28, 1.0625 GRIP, UNDRILLED, STEEL
	2	NAS1149D0463J	WASHER, 0.265 ID, 0.063 THK, ALUMINUM
	1	MS21044N4	NUT, LOCKING, REGULAR HEIGHT, 1/4-28 UNF
37	2	1002231	ROD, T SEAL
38	1	6A05580-004	WIPER, MAIN GEAR, 8000, 10, 61
39	1	AN10-34A	BOLT, 5/8-18 THREAD, 2-11/16" GRIP, 3-41/64" LENGTH
	2	NAS1149D1032J	WASHER
	1	MS21044N10	NUT, LOCKING, REGULAR HEIGHT, 5/8-18 UNF
40	1	1214K1	COVER, OIL COVER DRIVE IN

### MAIN GEAR RETRACTION (O-RINGS INSTALLED)



ITEM	QTY	PART NO.	PART DESCRIPTION
1	1	6A05268-001	CYLINDER - END CAP
2	1	13A05116-005	CYLINDER - OUTSIDE
3	1	13A05000-012	ASSEMBLY - RAM
4	2	6A05181-001	RING - CYLINDER SUPPORT
	2	MS28775-327	"O" RING, DIA 1.725
	8	AN3-4A	BOLT, 10-32, 0.125 GRIP, UNDRILLED, STEEL
	8	NAS1149F0363P	WASHER, 0.203 ID, 0.063 THK, STEEL
	8	MS21044N3	NUT, LOCKING, REGULAR HEIGHT, 10-32 UNF
5	1	6A05199-001	FLANGE - CYLINDER END

## PARTS MANUAL

## 10000 AMPHIBIAN FLOATS ON AT-802 &amp; AT-802A - FIRE BOSS CONVERSION

ITEM	QTY	PART NO.	PART DESCRIPTION
6	8	NAS6203-2	BOLT
	8	NAS1149D0363J	WASHER, 0.203 ID, 0.063 THK, ALUMINUM
	8	MS35333-39	WASHER - STAR
7	2	MS28775-220	O RING, DIA 1.359, AN6227-25
8	2	MS20822-4D	ELBOW FITTING, FLARED TUBE AND PIPE THREADS, 90 DEG
9	1	MS28775-219	O RING, DIA 1.296, AN6227-24
10	1	13A05073-004	CAP - FITTING, AFT, SLIDE TUBE
11	2	AN6-12A	BOLT, AIRFRAME, 3/8-24 THREAD, 11/16" GRIP, 1-21/64" LENGTH
	4	NAS1149F0663P	WASHER, 0.39 ID, 0.063 THK, STEEL
	2	MS21044N6	NUT, LOCKING, REGULAR HEIGHT, 3/8-24 UNF
12	2	AN4-24A	BOLT, AIRFRAME, 1/4-28 THREAD, 2-1/16" GRIP, CARBON STEEL
	4	NAS1149F0463P	WASHER, 0.265 ID, 0.063 THK, STEEL
	2	MS21044N4	NUT, LOCKING, REGULAR HEIGHT, 1/4-28 UNF
13	1	8880410	WIPER - NYLON
14	2	6A05702-008	PIN, MAIN GEAR LOCK
15	1	13A05064-002	FITTING - AFT, SLIDE TUBE
16	2	6A05193-001	CATCH LOCK HOOK
17	1	13A05120-001	TUBE, SLIDE, MAIN GEAR
18	1	13A05099-001	END, SLIDE TUBE
19	1	13A05316-001	CARRIAGE WITH BUSHINGS
	2	32DU16	BUSHING (GARLOCK X 2)
20	1	AN3-25A	BOLT, AIRFRAME, 10-32 THREAD, 2-1/4" GRIP, 2-21/32" LENGTH
	2	NAS1149F0363P	WASHER, 0.203 ID, 0.063 THK, STEEL
	1	MS21044N3	NUT, LOCKING, REGULAR HEIGHT, 10-32 UNF
21	1	AN6-26A	BOLT SIZE 3/8-24, LENGTH 1/64 - 2-53/64, GRIP LENGTH 2-3/16
	2	NAS1149D0663J	WASHER, 0.39 ID, 0.063 THK, ALUMINUM
	1	MS21044N6	NUT, LOCKING, REGULAR HEIGHT, 3/8-24 UNF
22	2	1032NF X 3/16	SET SCREW - MAGNET
23	2	3A05701-001	MAGNET, HOOK LATCH, MAIN GEAR
24	1	6A05042-001	HOOK - MAIN GEAR LOCK
25	1	6A05041-001	LOCK - MAIN, FWD, 61, 8, 10, 13
26	2	6A05087-001	SCREW, ADJUSTING, MAIN GEAR LOCK
27	2	AN316-4R	JAMB NUT
28	1	6A05533-001	SPRING, MAIN GEAR LOCK
29	1	6A05158-019	COVER - CARRIAGE
30	4	AN526-832R8	SCREW - COVER ATTACH
	4	NAS1149FN816P	WASHER, 0.174 ID, 0.016 THK, STEEL
	4	MS35333-38	STAR WASHER
31	2	AN4-24A	BOLT, AIRFRAME, 1/4-28 THREAD, 2-1/16" GRIP, CARBON STEEL
	4	NAS1149F0463P	WASHER, 0.265 ID, 0.063 THK, STEEL
	2	MS21044N4	NUT, LOCKING, REGULAR HEIGHT, 1/4-28 UNF

PARTS MANUAL  
10000 AMPHIBIAN FLOATS ON AT-802 & AT-802A - FIRE BOSS CONVERSION

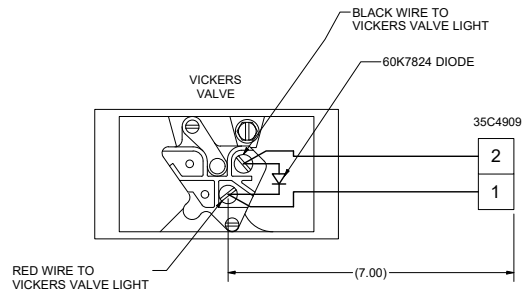
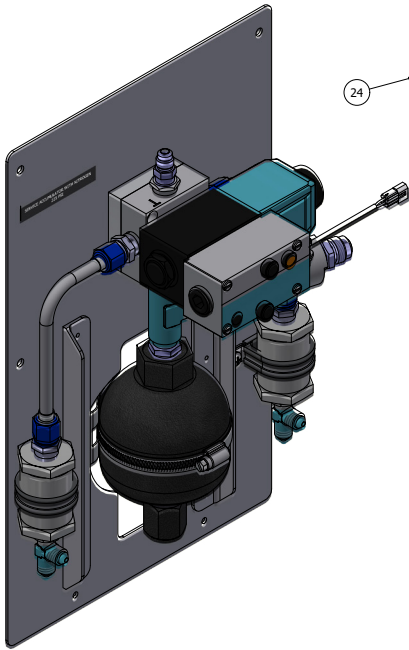
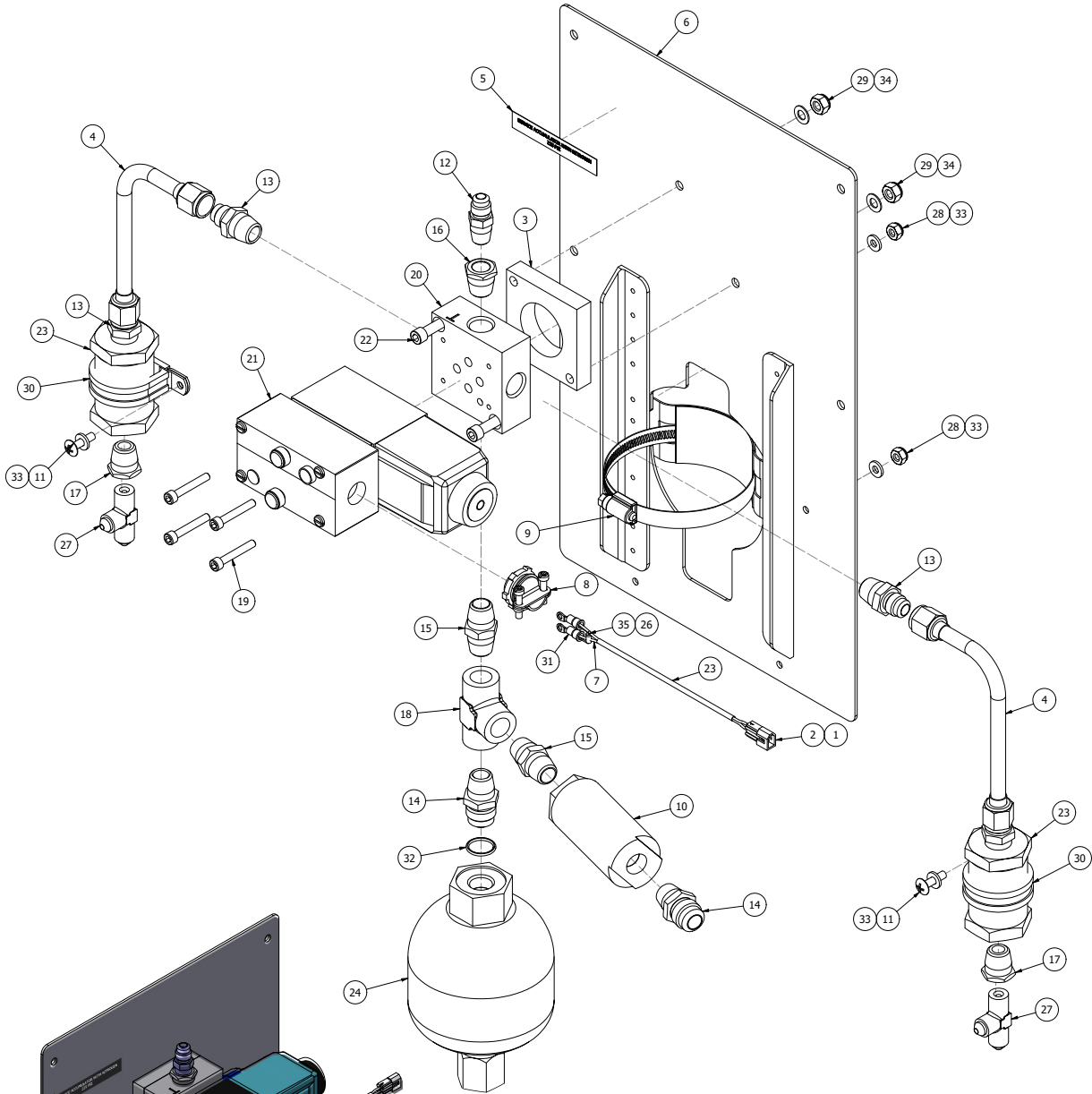
ITEM	QTY	PART NO.	PART DESCRIPTION
32	1	AN6-56A	BOLT, AIRFRAME, 3/8-24 THREAD, 5-3/16" GRIP, 5-53/64 LENGTH
	1	NAS1149F0663P	WASHER, 0.39 ID, 0.063 THK, STEEL
	1	MS21044N6	NUT, LOCKING, REGULAR HEIGHT, 3/8-24 UNF
33	1	13A01210-003	FITTING FWD TUNNEL
34	4	AN6-10A	BOLT, AIRFRAME, 3/8-24 THREAD, 7/16" GRIP, 1-5/64" LENGTH
	4	MS1149D0663J	WASHER
	4	MS21044N6	NUT, LOCKING, REGULAR HEIGHT, 3/8-24 UNF
35	4	AN6-11A	BOLT, 3/8-24, 0.5625 GRIP, UNDRILLED, STEEL
	4	MS1149D0663J	WASHER
	4	MS21044N5	NUT, HEX LOCKING NYLON INSERT STEEL 5/16-24
36	2	AN5H22A	BOLT, AIRFRAME, 5/16-24 THREAD, 1-13/16" GRIP, STEEL CAD
	2	NAS1149F0563P	WASHER, 0.328 ID, 0.063 THK, STEEL
	2	MS21044N5	NUT, HEX LOCKING NYLON INSERT STEEL 5/16-24
37	1	AN4-14A	BOLT, 1/4-28, 1.0625 GRIP, UNDRILLED, STEEL
	2	NAS1149D0463J	WASHER, 0.265 ID, 0.063 THK, ALUMINUM
	1	MS21044N4	NUT, LOCKING, REGULAR HEIGHT, 1/4-28 UNF
38	1	MS28775-314	"O" RING
39	1	6A05580-004	WIPER, MAIN GEAR, 8000, 10, 61
40	1	AN10-34A	BOLT, 5/8-18 THREAD, 2-11/16" GRIP, 3-41/64" LENGTH
	2	NAS1149D1032J	WASHER
	1	MS21044N10	NUT, LOCKING, REGULAR HEIGHT, 5/8-18 UNF
41	1	1214K1	COVER, OIL COVER DRIVE IN

## SECTION 4 HYDRAULICS

### CONTENTS

ACCUMULATOR ASSEMBLY .....	132
BYPASS FILTER ASSEMBLY .....	134
INSTALLATION BRAKE LINES .....	135
HYDRAULIC PUMP MOUNT BRACKET ASSEMBLY POST SERVICE LETTER 207 .....	136
INSTALLATION HYDRAULIC PUMP AT-802A POST SERVICE LETTER 207 .....	138
INSTALLATION HYDRAULIC PUMP AT-802A PRE SERVICE LETTER 207 .....	140
INSTALLATION HYDRAULIC PUMP AT-802 POST SERVICE LETTER 207 .....	142
INSTALLATION HYDRAULIC PUMP AT-802 PRE SERVICE LETTER 207 .....	144
HYDRAULIC POWERPACK ASSEMBLY POST SERVICE LETTER 207 .....	146
HYDRAULIC POWERPACK ASSEMBLY PRE SERVICE LETTER 207 .....	148
HYDRAULIC PUMP OVERVIEW POST SERVICE LETTER 207 .....	150
HYDRAULIC PUMP OVERVIEW PRE SERVICE LETTER 207 .....	152
HYDRAULIC HAND PUMP STANDARD INSTALLATION .....	154
HYDRAULIC HAND PUMP AT-802 WITH FCU CONTROL ASSEMBLY INSTALLATION .....	156
HYDRAULIC SCHEMATIC.....	157

# ACCUMULATOR ASSEMBLY



WIRE SCHEMATIC

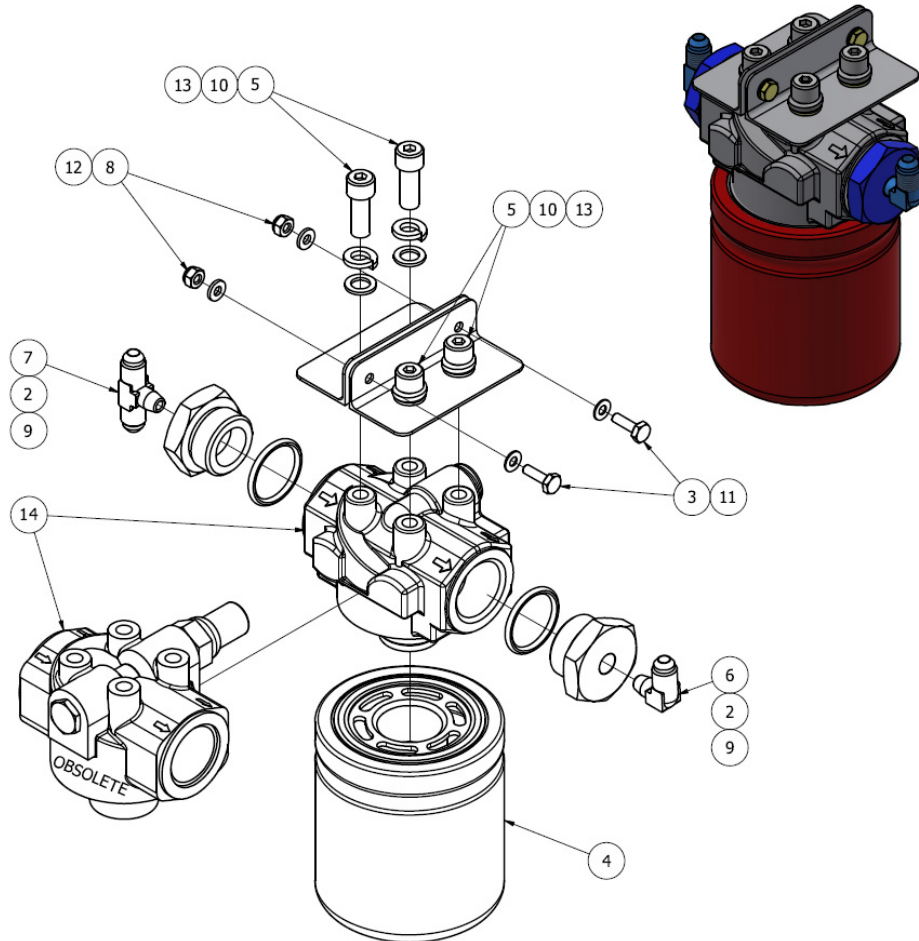


## PARTS MANUAL

## 10000 AMPHIBIAN FLOATS ON AT-802 &amp; AT-802A - FIRE BOSS CONVERSION

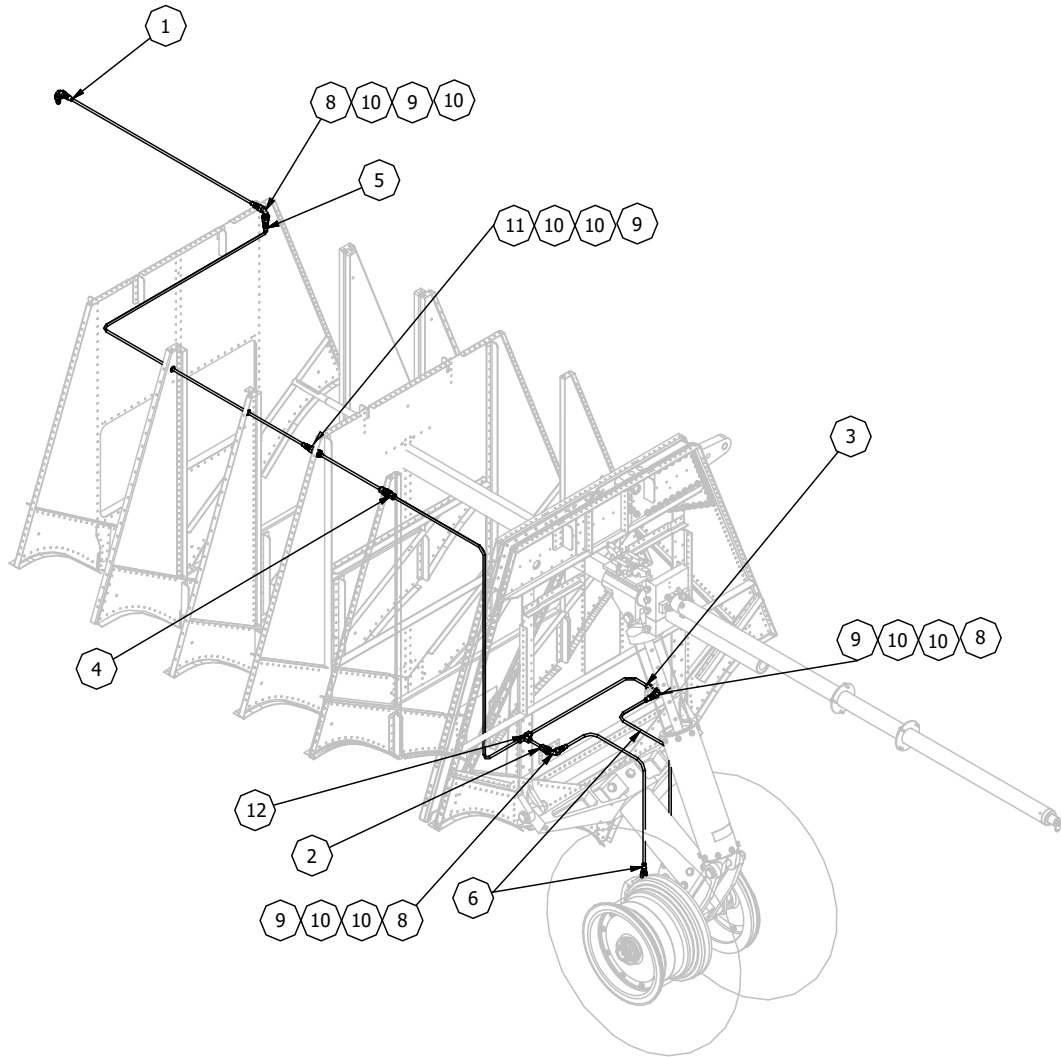
ITEM	QTY	PART NO.	PART DESCRIPTION
-	1	1003665	ASSEMBLY, ACCUMULATOR
1	2	02-06-2103	CRIMP TERMINAL, MALE, 22-18
2	1	03-06-2023	CONNECTOR HOUSING, PLUG, 2 POS
3	1	1002277	SPACER-MANIFOLD, HYDRAULIC SYSTEM, AT-802 W/B
4	2	1002822	TUBE ASSY-HYDRAULIC SYSTEM, AT802
5	1	1012203	PLACARD, ACCUMULATOR PRESSURE
6	1	10A09000-296	ASSEMBLY, ACCUMULATOR MOUNT
7	14"	22759-16-20-9	WIRE, 20 AWG, WHITE
8	1	2711	CABLE/CORD CONNECTOR, 1/2"
9	1	5764	CLAMP, HOSE
10	1	9053-10	FILTER, 3/8" IN LINE, 10M
11	2	AN526-1032R12	SCREW, MACHINE, TRUSS HEAD
12	1	AN816-5-4D	NIPPLE, FLARED TUBE AND PIPE THREAD
13	4	AN816-6-6D	NIPPLE, FLARED TUBE AND PIPE THREAD
14	2	AN816-8D	NIPPLE, FLARED TUBE AND PIPE THREAD
15	2	AN911-3D	NIPPLE
16	1	AN912-2D	BUSHING, REDUCER
17	2	AN912-3D	BUSHING, REDUCER
18	1	AN917-3D	FITTING, TEE, INTERNAL PIPE THREAD
19	1	BK590716	BOLT MOUNTING KIT
20	1	DD03S56P	VALVE, MANIFOLD, 3/8" NPT
21	1	DG4V32ALMPB WLH760	SOLENOID VALVE
22	2	H-K73068	BOLT, SKT HD, .250-28 UNF X 1.125
23	2	HPF-50-Q-6-S	FILTER, INLINE, BI-DIRECTIONAL
24	1	JR25000	ACCUMULATOR
-	1	AD032B21T9A1	ACCUMULATOR (ALTERNATE)
25	4.5"	M23053/5-104-0	HEAT SHRINK, BLACK, 1/8"
26	.5"	M23053/5-104-9	HEAT SHRINK, WHITE, 1/8"
27	2	MS20826-5D	FITTING, TEE
28	2	MS21044N3	NUT, LOCKING, REGULAR HEIGHT, 10-32 UNF
29	2	MS21044N4	NUT, LOCKING, REGULAR HEIGHT, 1/4-28 UNF
30	2	MS21919WDG23	CLAMP, 1.438 ID, ALU.
31	2	MS25036-102	RING TERMINAL, #6 STUD, 16-22 AWG, RED
32	1	MS28775-016	O-RING, HYDRAULIC
33	4	NAS1149D0363J	WASHER, 0.203 ID, 0.063 THK, ALUMINUM
34	2	NAS1149F0432P	WASHER, 0.265 ID, 0.032 THK, STEEL
35	1	P6KE39A	DIODE, AXIAL, LEADED, 600 W, 3.5/5.0 V,

## BYPASS FILTER ASSEMBLY



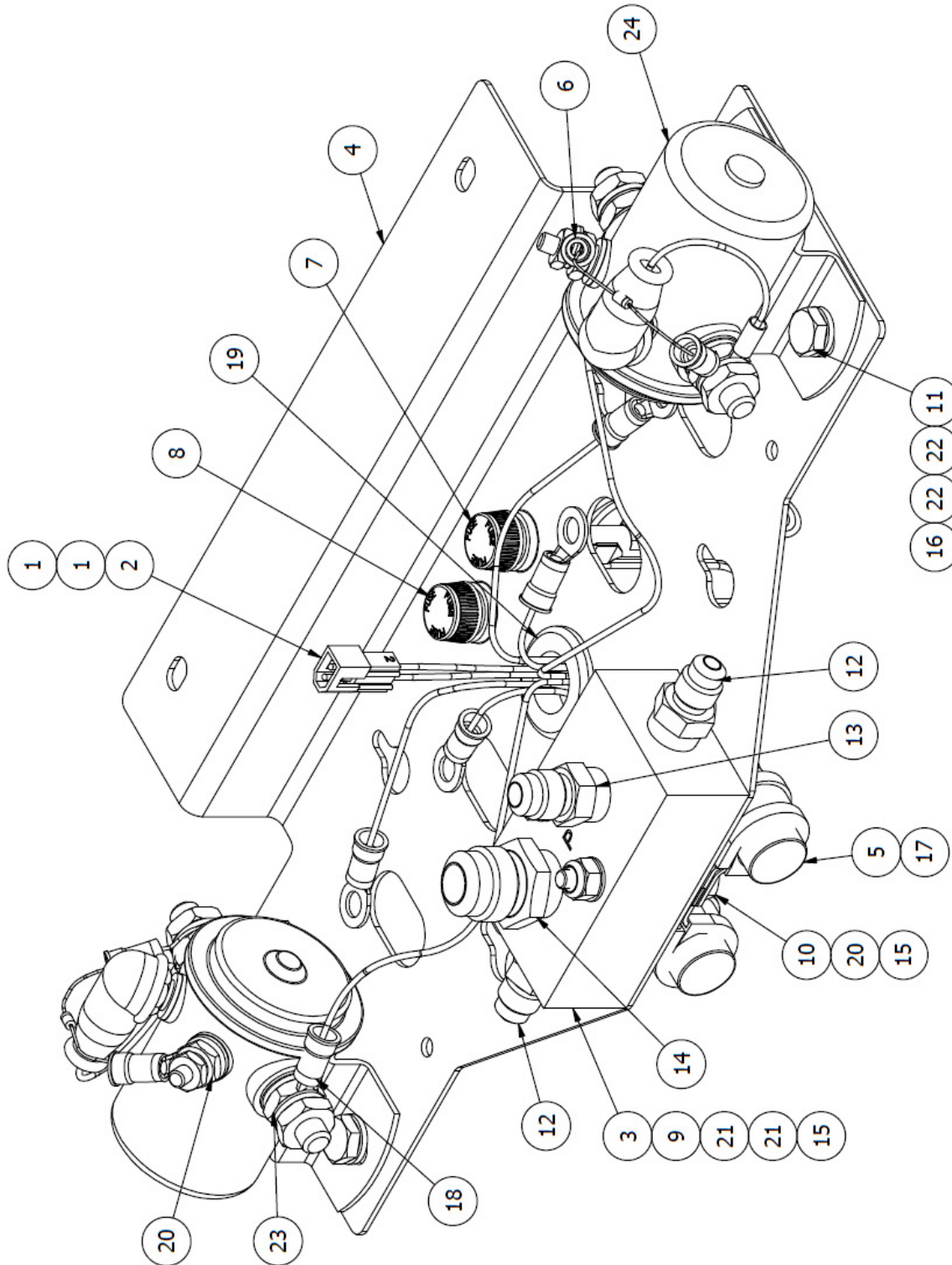
ITEM	QTY	PART NO.	PART DESCRIPTION
-	1	1003662	ASSEMBLY, BYPASS FILTER, HYDRAULIC PUMP
1	2	1003647	BRACKET, FILTER MOUNT
2	2	1003648	1" HEX HEAD PLUG
3	2	AN3-5A	BOLT, 10-32, 0.25 GRIP, UNDRILLED, STEEL
4	1	BT8416	FILTER, BALDWIN
5	4	MS16997-99	SCREW, CAP, SOCKET HEAD
6	1	MS20822-5D	ELBOW, PIPE TO TUBE
7	1	MS20825-5D	TEE, PIPE TO TUBE
8	2	MS21044N3	NUT
9	2	MS28775-217	"O" RING, HYDRAULIC
10	4	MS35338-46	WASHER, SPLIT
11	2	NAS1149F0332P	WASHER, 0.203 ID, 0.032 THK, STEEL
12	2	NAS1149F0363P	WASHER, 0.203 ID, 0.063 THK, STEEL
13	4	NAS1149F0663P	WASHER, 0.39 ID, 0.063 THK, STEEL
14	1	P167201	FILTER BASE, DONALDSON
-	1	OB8745	(OBSOLETE) FILTER BASE, BALDWIN

## INSTALLATION BRAKE LINES



ITEM	QTY	PART NO.	PART DESCRIPTION
1	1	10A04000-121	HYD. LINE, FUSELAGE TO FLOAT DECK BRAKE LINE (62")
2	1	10A04000-122	HYD. LINE, BRAKE "T"
3	1	10A04000-123	HYD. LINE, BRAKE "T"
4	1	10A04000-124	HYD. LINE, "T" TO BULKHEAD
5	1	10A09000-320	HYD. LINE, BRAKE "T" TO TOP DECK
6	2	13A04000-068	HOSE
8	3	AN833-4D	ELBOW, 90 DEG, 1/4" TUBE DIA, 7/16-20 THREAD,
9	4	AN924-4D	NUT, TUBE, 7/16-20 THREAD, ALUMINUM
10	8	NAS1149F0763P	WASHER, AIRFRAME, CARBON STEEL, TO FIT DIA 7/16"
11	1	AN832-4D	UNION BULKHEAD
12	1	AN824-4D	TEE, FLARED TUBE, ALUMINUM, TUBE OD 1/4, THREAD 7/16-20

**HYDRAULIC PUMP MOUNT BRACKET ASSEMBLY**  
**POST SERVICE LETTER 207**  
**FLOAT SERIAL NUMBERS 10241 & 10242 AND LATER**

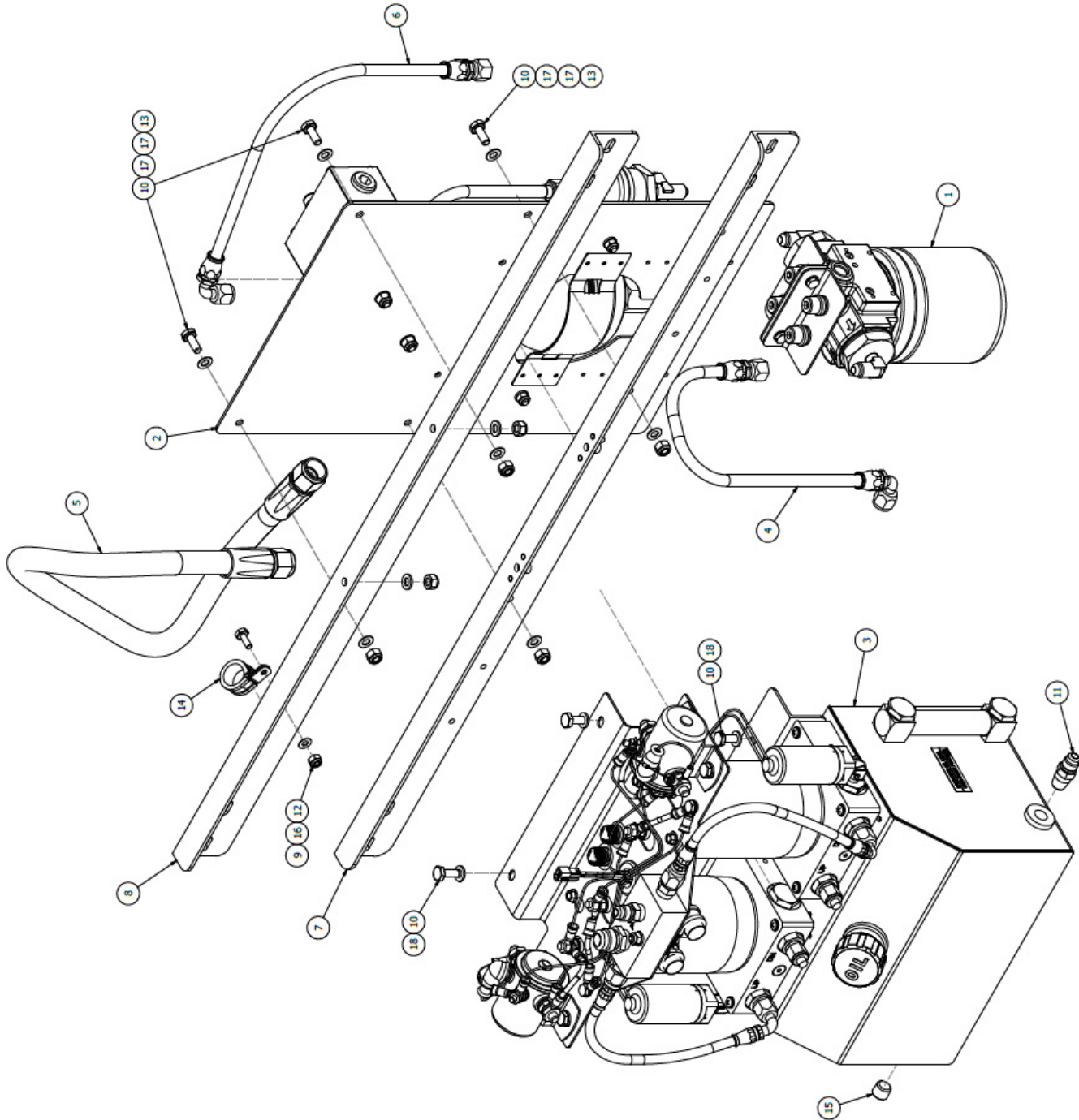


## PARTS MANUAL

## 10000 AMPHIBIAN FLOATS ON AT-802 &amp; AT-802A - FIRE BOSS CONVERSION

ITEM	QTY	PART NO.	PART DESCRIPTION
-	1	1011357	ASSEMBLY, BRACKET, PUMP MOUNT
1	2	02-06-2103	CRIMP PIN CONTACT, MALE, 22-18
2	1	03-06-2023	PLUG, HOUSING, 2 POSITION
3	1	1011355	MANIFOLD, HYDRAULIC
4	1	1011356	UPPER BRACKET, HYDRAULIC PUMP
5	2	1011798	ASSEMBLY, CAPACITOR
6	2	3A10000-002	ASSEMBLY, SOLENOID DIODE
7	1	6A09000-128	ASSEMBLY, FUSE HOLDER, RIGHT
8	1	6A09000-129	ASSEMBLY, FUSE HOLDER, LEFT
9	1	AN3-14A	BOLT, 10-32, 1.125 GRIP, UNDRILLED, STEEL
10	1	AN3-15A	BOLT, 10-32, 1.25 GRIP, UNDRILLED, STEEL
11	4	AN4-5A	BOLT, 1/4-28, 0.1875 GRIP, UNDRILLED, STEEL
12	2	AN816-4-4D	NIPPLE, FLARED TUBE AND PIPE THREAD
13	1	AN816-5-4D	NIPPLE, FLARED TUBE AND PIPE THREAD
14	1	AN816-8D	NIPPLE, FLARED TUBE AND PIPE THREAD
15	2	MS21044N3	NUT, LOCKING, REGULAR HEIGHT, 10-32 UNF
16	4	MS21044N4	NUT, LOCKING, REGULAR HEIGHT, 1/4-28 UNF
17	2	MS21919WDG10	CLAMP, LOOP, CUSHIONED, 5/8 TUBE OD
18	2	MS25036-104	RING TERMINAL, 5/16 STUD, 22-16 AWG, RED
19	1	MS35489-17	GROMMET, RUBBER
20	3	NAS1149F0332P	WASHER, 0.203 ID, 0.032 THK, STEEL
21	2	NAS1149F0363P	WASHER, 0.203 ID, 0.063 THK, STEEL
22	8	NAS1149F0463P	WASHER, 0.265 ID, 0.063 THK, STEEL
23	4	NAS1149F0532P	WASHER, 0.328 ID, 0.032 THK, STEEL
24	2	P52-0035-1	STARTER, 24V

# INSTALLATION HYDRAULIC PUMP AT-802A POST SERVICE LETTER 207 FLOAT SERIAL NUMBERS 10241 & 10242 AND LATER



## PARTS MANUAL

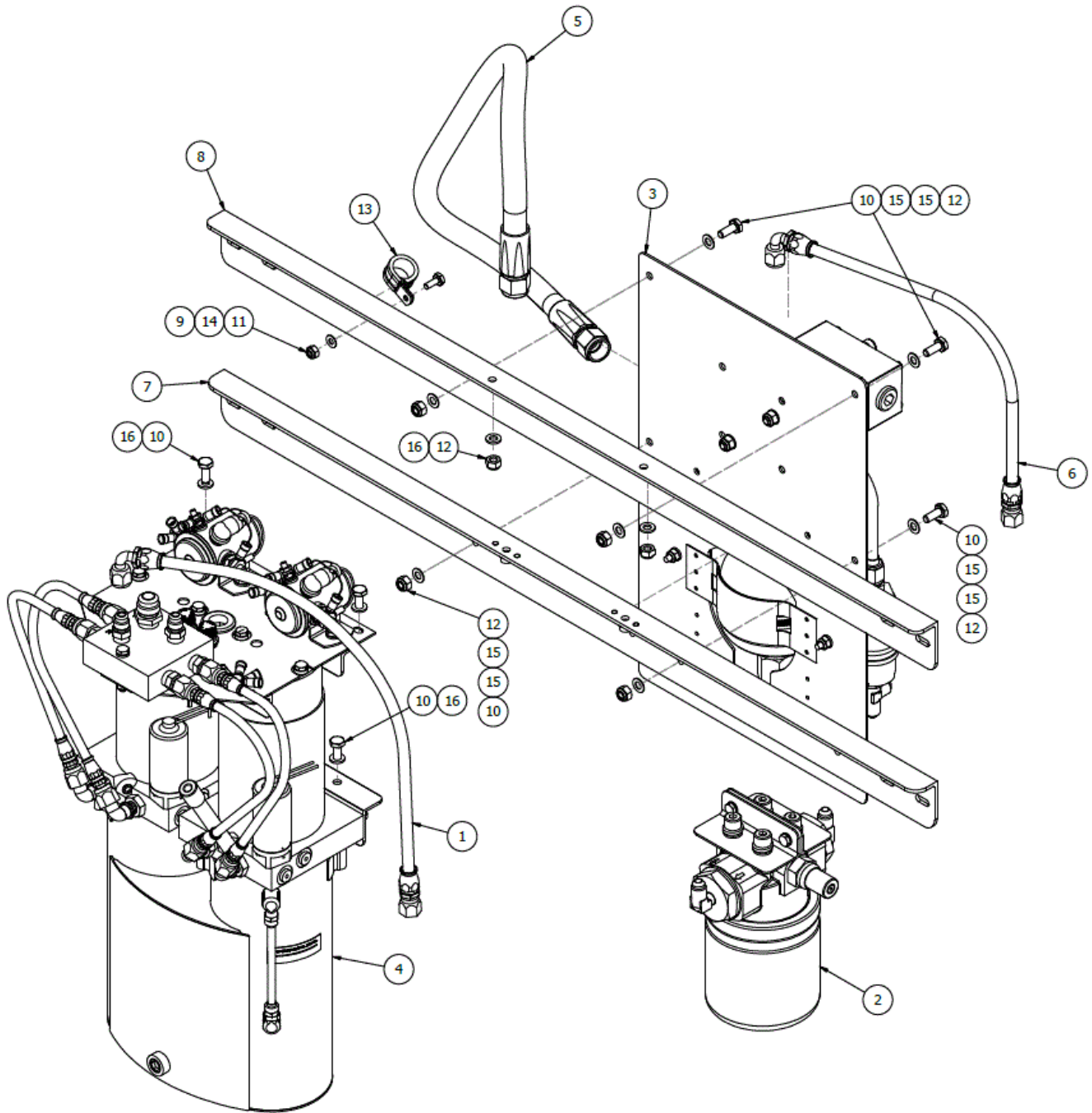
## 10000 AMPHIBIAN FLOATS ON AT-802 &amp; AT-802A - FIRE BOSS CONVERSION

ITEM	QTY	PART NO.	PART DESCRIPTION
-	1	10A12000-079	HYDRAULIC SYSTEM ASSEMBLY AT-802A (1 SEAT)
1	1	1003662	ASSEMBLY, BYPASS FILTER, HYDRAULIC PUMP
2	1	1003665	ASSEMBLY, ACCUMULATOR
3	1	1011360	ASSEMBLY, HYDRAULIC POWER PACK
4	1	1011361-02	HYDRAULIC HOSE ASSEMBLY, FILTER TO RESERVOIR
5	1	10A09000-303	HYD. LINE, ACCUM TO MAN. (30")
6	1	10A09000-304	HYD. LINE, SOLENOID VALVE TO MAN. RET. (14")
7	1	10A12000-077	ANGLE ASSEMBLY, LOWER MOUNT
8	1	10A12357-083	ANGLE, PUMP MOUNT, UPPER
9	1	AN3-4A	BOLT, 10-32, 0.125 GRIP, UNDRILLED, STEEL
10	8	AN4-5A	BOLT
11	1	AN816-5-4D	NIPPLE, FLARED TUBE AND PIPE THREAD
12	1	MS21044N3	NUT, LOCKING, REGULAR HEIGHT, 10-32 UNF
13	6	MS21044N4	NUT
14	1	MS21919WDG12	CLAMP
15	1	MS27769D3	PLUG, PIPE, COUNTERSINK HEX HEAD
16	1	NAS1149F0332P	WASHER, 0.203 ID, 0.032 THK, STEEL
17	8	NAS1149F0432P	WASHER, 0.265 ID, 0.032 THK, STEEL
18	6	NAS1149F0463P	WASHER, 0.265 ID, 0.063 THK, STEEL

\*SPIN-ON FILTER/PARTS ADDED WITH MANDATORY SERVICE KIT 75 (DOCUMENT 1002700)



# INSTALLATION HYDRAULIC PUMP AT-802A PRE SERVICE LETTER 207 FLOAT SERIAL NUMBERS 10239 & 10240 AND PRIOR



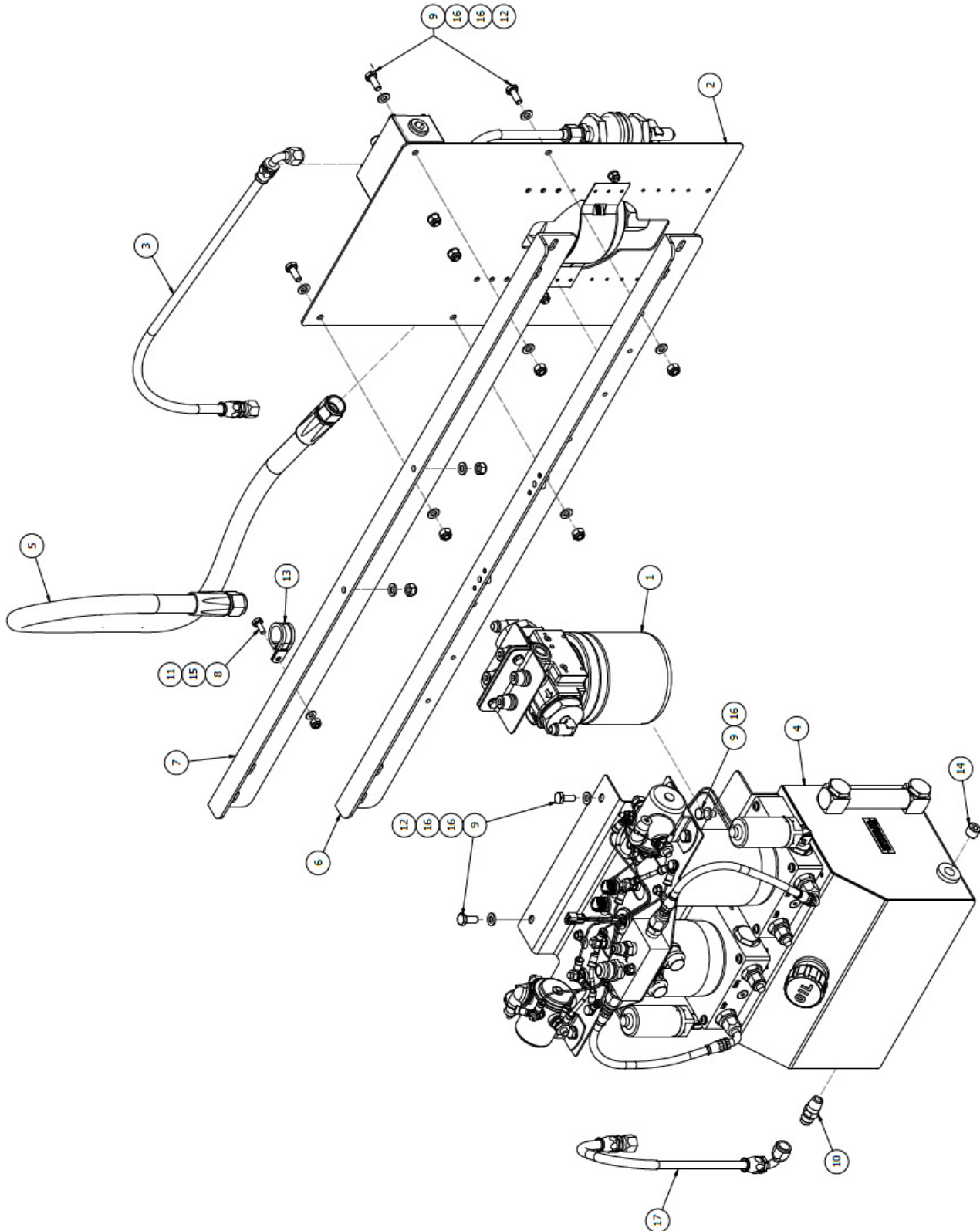


PARTS MANUAL  
 10000 AMPHIBIAN FLOATS ON AT-802 & AT-802A - FIRE BOSS CONVERSION

ITEM	QTY	PART NO.	PART DESCRIPTION
-	1	10A12000-079	HYDRAULIC SYSTEM ASSEMBLY AT-802A (1 SEAT)
1	1	1003661	HYDRAULIC LINE, BYPASS FILTER TO MANIFOLD (17")
2	1	1003662	ASSEMBLY, BYPASS FILTER, HYDRAULIC PUMP
3	1	1003665	ASSEMBLY, ACCUMULATOR
4	1	10A09000-294	ASSEMBLY, HYDRUALIC PUMP
5	1	10A09000-303	HYD. LINE, ACCUM TO MAN. (30")
6	1	10A09000-304	HYD. LINE, SOLOINOID VALVE TO MAN. RET. (14")
7	1	10A12000-077	ANGLE ASSEMBLY, LOWER MOUNT
8	1	10A12357-083	ANGLE, PUMP MOUNT, UPPER
9	1	AN3-4A	BOLT, 10-32, 0.125 GRIP, UNDRILLED, STEEL
10	8	AN4-5A	BOLT, AIRFRAME, 1/4-28 THREAD, 3/16" GRIP, 21/32" LENGTH
11	1	MS21044N3	NUT, LOCKING, REGULAR HEIGHT, 10-32 UNF
12	6	MS21044N4	NUT, HEX LOCKING NYLON INSERT STEEL CAD 2, 1/4-28
13	1	MS21919WDG12	CLAMP, TO FIT DIA 3/4", CHLOROPRENE CUSHION
14	1	NAS1149F0332P	WASHER, 0.203 ID, 0.032 THK, STEEL
15	8	NAS1149F0432P	WASHER, 0.265 ID, 0.032 THK, STEEL
16	6	NAS1149F0463P	WASHER, 0.265 ID, 0.063 THK, STEEL

\*SPIN-ON FILTER/PARTS ADDED WITH MANDATORY SERVICE KIT 75 (DOCUMENT 1002700)

# INSTALLATION HYDRAULIC PUMP AT-802 POST SERVICE LETTER 207 FLOAT SERIAL NUMBERS 10241 & 10242 AND LATER

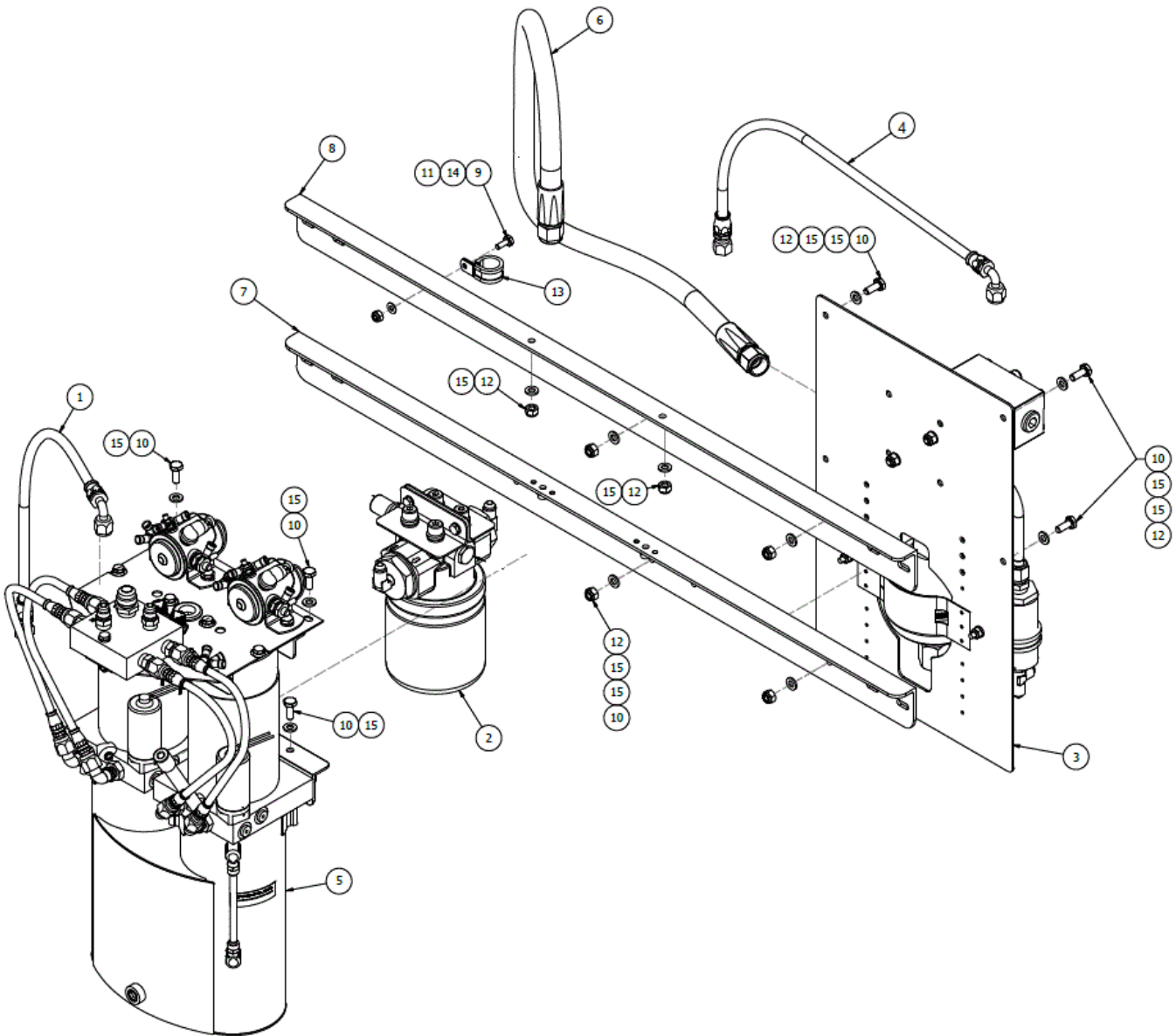


PARTS MANUAL  
 10000 AMPHIBIAN FLOATS ON AT-802 & AT-802A - FIRE BOSS CONVERSION

ITEM	QTY	PART NO.	PART DESCRIPTION
-	1	1001594	HYDRAULIC SYSTEM ASSEMBLY AT-802 (2 SEAT)
1	1	1003662	ASSEMBLY, BYPASS FILTER, HYDRAULIC PUMP
2	1	1003665	ASSEMBLY, ACCUMULATOR
3	1	1009668	HYD. LINE, SOLENOID VALVE TO MAN. RET. (20")
4	1	1011360	ASSEMBLY, HYDRAULIC POWER PACK
5	1	10A09000-303	HYD. LINE, ACCUM TO MAN. (30")
6	1	10A12000-077	ANGLE ASSEMBLY, LOWER MOUNT
7	1	10A12357-083	ANGLE, PUMP MOUNT, UPPER
8	1	AN3-4A	BOLT, 10-32, 0.125 GRIP, UNDRILLED, STEEL
9	8	AN4-5A	BOLT
10	1	AN816-5-4D	NIPPLE, FLARED TUBE AND PIPE THREAD
11	1	MS21044N3	NUT, LOCKING, REGULAR HEIGHT, 10-32 UNF
12	6	MS21044N4	NUT
13	1	MS21919WDG12	CLAMP
14	1	MS27769D3	PLUG, PIPE, COUNTERSINK HEX HEAD
15	1	NAS1149F0332P	WASHER, 0.203 ID, 0.032 THK, STEEL
16	14	NAS1149F0463P	WASHER, 0.265 ID, 0.063 THK, STEEL
17	1	1011361-02	HYDRAULIC HOSE ASSEMBLY, FILTER TO RESERVOIR

\*SPIN-ON FILTER/PARTS ADDED WITH MANDATORY SERVICE KIT 75 (DOCUMENT 1002700)

# INSTALLATION HYDRAULIC PUMP AT-802 PRE SERVICE LETTER 207 FLOAT SERIAL NUMBERS 10239 & 10240 AND PRIOR

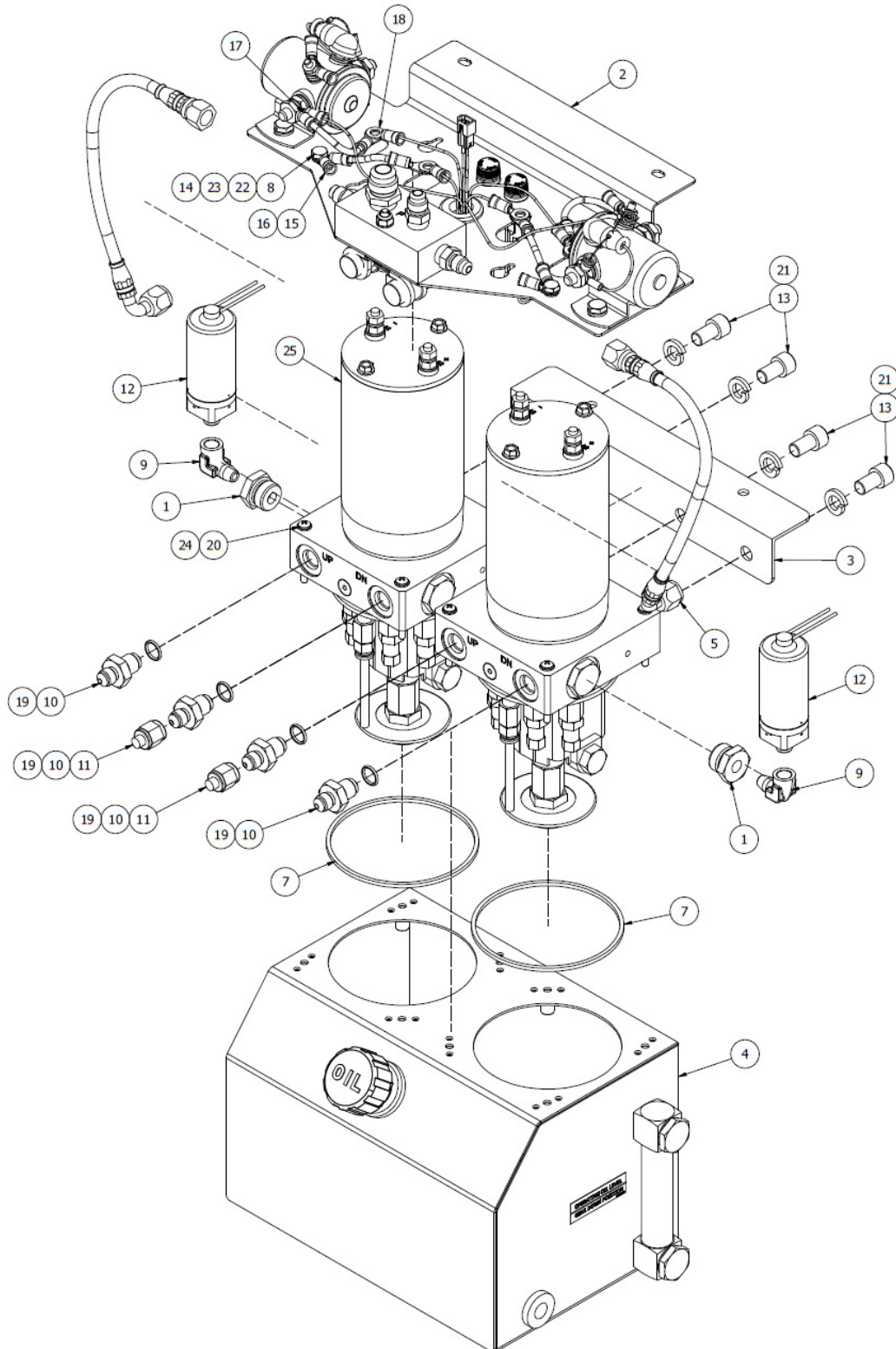


PARTS MANUAL  
 10000 AMPHIBIAN FLOATS ON AT-802 & AT-802A - FIRE BOSS CONVERSION

ITEM	QTY	PART NO.	PART DESCRIPTION
-	1	1001594	HYDRAULIC SYSTEM ASSEMBLY AT-802 (2 SEAT)
1	1	1003661	HYDRAULIC LINE, BYPASS FILTER TO MANIFOLD (17")
2	1	1003662	ASSEMBLY, BYPASS FILTER, HYDRAULIC PUMP
3	1	1003665	ASSEMBLY, ACCUMULATOR
4	1	1009668	HYD. LINE, SOLENOID VALVE TO MAN. RET. (20")
5	1	10A09000-294	ASSEMBLY, HYDRUALIC PUMP
6	1	10A09000-303	HYD. LINE, ACCUM TO MAN. (30")
7	1	10A12000-077	ANGLE ASSEMBLY, LOWER MOUNT
8	1	10A12357-083	ANGLE, PUMP MOUNT, UPPER
9	1	AN3-4A	BOLT, 10-32, 0.125 GRIP, UNDRILLED, STEEL
10	8	AN4-5A	BOLT, AIRFRAME, 1/4-28 THREAD, 3/16" GRIP, 21/32" LENGTH
11	1	MS21044N3	NUT, LOCKING, REGULAR HEIGHT, 10-32 UNF
12	6	MS21044N4	NUT, HEX LOCKING NYLON INSERT STEEL CAD 2, 1/4-28
13	1	MS21919WDG12	CLAMP, TO FIT DIA 3/4", CHLOROPRENE CUSHION
14	1	NAS1149F0332P	WASHER, 0.203 ID, 0.032 THK, STEEL
15	14	NAS1149F0463P	WASHER, 0.265 ID, 0.063 THK, STEEL

\*SPIN-ON FILTER/PARTS ADDED WITH MANDATORY SERVICE KIT 75 (DOCUMENT 1002700)

# HYDRAULIC POWERPACK ASSEMBLY POST SERVICE LETTER 207 FLOAT SERIAL NUMBERS 10241 & 10242 AND LATER

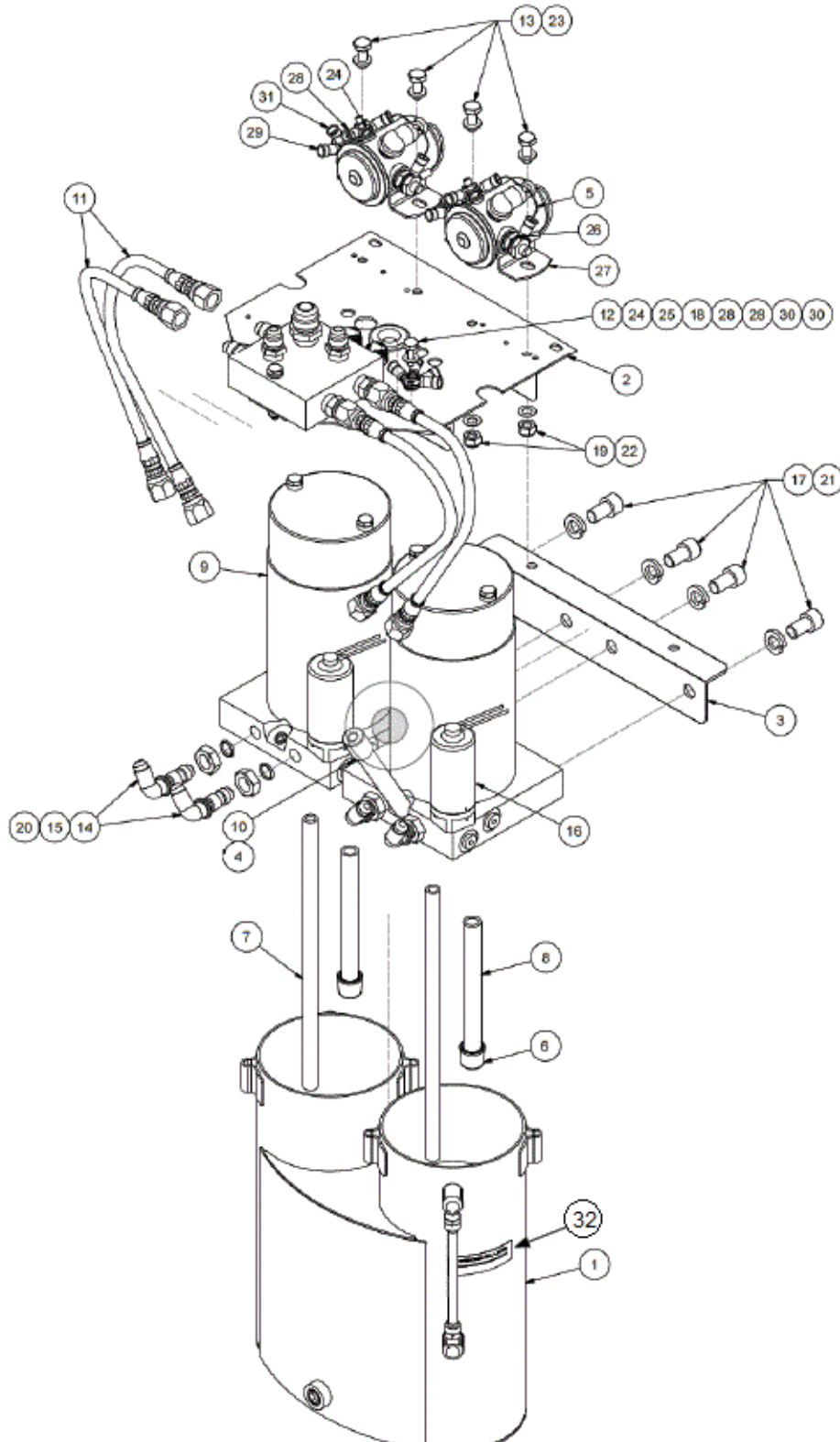


## PARTS MANUAL

## 10000 AMPHIBIAN FLOATS ON AT-802 &amp; AT-802A - FIRE BOSS CONVERSION

ITEM	QTY	PART NO.	PART DESCRIPTION
-	1	1011360	ASSEMBLY, HYDRAULIC POWER PACK
1	2	1011062	ASSEMBLY, PLUG, PRESSURE SWITCH PORT
2	1	1011357	ASSEMBLY, BRACKET, PUMP MOUNT
3	1	1011358	ANGLE, PUMP MOUNT, LOWER
4	1	1011359	ASSEMBLY, HYDRAULIC PUMP RESERVOIR
5	2	1011361-01	HYDRAULIC HOSE ASSEMBLY, MANIFOLD TO PUMP
6	16 INCH	22759-16-12-9	WIRE, 12AWG, WHITE
7	2	4061T199	SQUARE PROFILE, O-RING, 3.5" I.D., .094 THK
8	2	AN3-4A	BOLT, 10-32, 0.125 GRIP, UNDRILLED, STEEL
9	2	AN914-1D	ELBOW, 90 DEGREES, INTERNALEXTERNAL PIPE
10	4	AN919-3D	FITTING, REDUCER
11	2	AN929-4	CAP
12	2	GPP1250-40	PRESSURE SWITCH
13	4	MS16997-96	SOCKET HEAD CAP SCREW
14	2	MS21044N3	NUT, LOCKING, REGULAR HEIGHT, 10-32 UNF
15	4	MS25036-103	RING TERMINAL, #10 STUD, 22-16 AWG, RED
16	2	MS25036-112	RING TERMINAL, #10 STUD, 10-12 AWG, YELLOW
17	2	MS25036-113	RING TERMINAL, 5/16 STUD, 10-12 AWG, YELLOW
18	4	MS25036-157	RING TERMINAL, 1/4 STUD, 10-12 AWG, YELLOW
19	4	MS28775-013	"O" RING, HYDRAULIC
20	8	MS35206-252	SCREW, MACHINE, PAN HEAD
21	4	MS35338-46	WASHER, SPLIT
22	2	NAS1149F0332P	WASHER, 0.203 ID, 0.032 THK, STEEL
23	2	NAS1149F0363P	WASHER, 0.203 ID, 0.063 THK, STEEL
24	8	NAS1149FN832P	WASHER, 0.174 ID, 0.032 THK, STEEL
25	2	YBZS- D0.63W2T100K/ UVZOT2	HYDRAULIC POWER PACK, 24VDC, .64 PUMP

# HYDRAULIC POWERPACK ASSEMBLY PRE SERVICE LETTER 207 FLOAT SERIAL NUMBERS 10239 & 10240 AND PRIOR



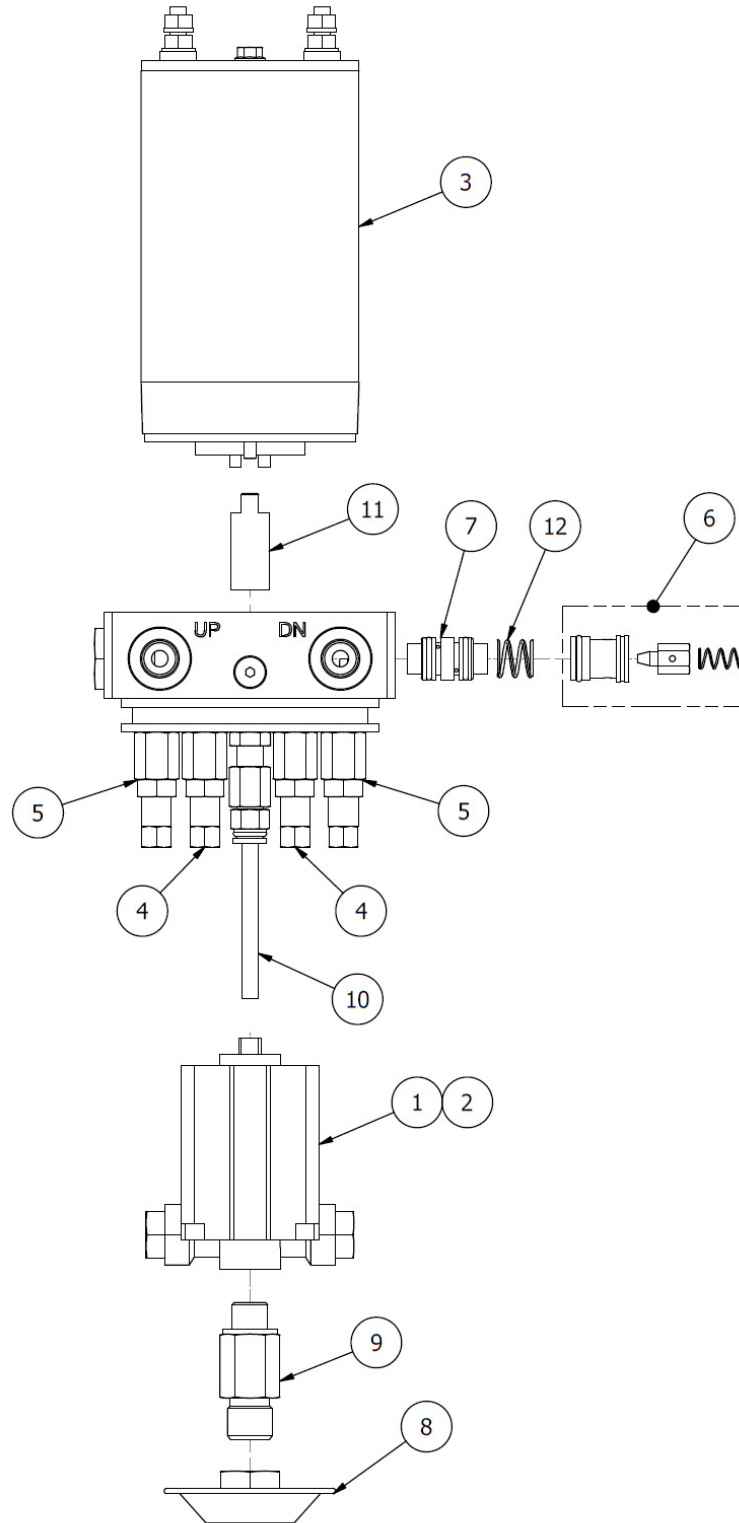


## PARTS MANUAL

## 10000 AMPHIBIAN FLOATS ON AT-802 &amp; AT-802A - FIRE BOSS CONVERSION

ITEM	QTY	PART NO.	PART DESCRIPTION
1	1	1003726	ASSEMBLY, HYDRAULIC PUMP RESERVOIR
2	1	10A09000-314	BRACKET ASSEMBLY, PUMP MOUNT
3	1	13A09348-012	ANGLE, HYDRAULIC PUMP MOUNT
4	1	13A09398-002	FILLER PIPE-HYD. PUMP
5	2	3A10000-002	SOLENOID DIODE ASSY.
6	2	410521	FILTER 108, 3/8" DIA
7	2	4A09392-001	TUBE, RETURN HYD. PUMP
8	2	4A09393-001	TUBE, PICK UP HYD. PUMP
9	2	636603A	PUMP ASSY W/MOTOR (SEE DETAIL)
10	1	6A09706-001	FILTER PUMP BREATHER, MODIFIED
11	4	8A09000-048	HYD. LINE ASSY. PUMP
12	1	AN3-5A	BOLT, SIZE 10-32, LENGTH +/- 1/64 - 21/32, GRIP LENGTH 1/4
13	4	AN4-5A	BOLT, AIRFRAME, 1/4-28 THREAD, 3/16" GRIP, 21/32" LENGTH
14	4	AN833-4D	ELBOW, FLARED TUBE, 90 DEG, 1/4" TUBE DIA, 7/16-20 THREAD
15	4	AN924-4D	NUT, TUBE, 7/16-20 THREAD
16	2	GPP1250-40	PRESSURE SWITCH
17	4	MS16997-96	SCREW, CAP, SOCKET HEAD, 3/8-16X.625, STEEL
18	1	MS21044N3	NUT, HEX LOCKING NYLON INSERT STEEL CAD 2, 10-32
19	4	MS21044N4	NUT, HEX LOCKING NYLON INSERT STEEL CAD 2, 1/4-28
20	4	MS28775-012	O RING, DIA 0.364
21	4	MS35338-46	WASHER, SPLIT, CARBON STEEL
22	4	NAS1149D0416J	WASHER, 0.265 ID, 0.016 THK, ALUMINUM
23	4	NAS1149D0463J	WASHER, 0.265 ID, 0.016 THK, ALUMINUM
24	3	NAS1149F0332P	WASHER, SCREW SIZE #10 OD.438 ID.203 THK.032
25	1	NAS1149F0363P	WASHER, 0.203 ID, 0.063 THK, ALUMINUM
26	4	NAS1149F0532P	WASHER, AIRFRAME, CARBON STEEL, TO FIT DIA 5/16"
27	2	P52-0035-1	CONTACTOR ASSEMBLY, 24V
28	4	R-5	TERMINAL, RING, #10 STUD, 20 GAUGE, RED
29	2	R-7	RING CONNECTOR INSULATED, 5/16 STUD, 20 GAUGE, RED
30	2	Y-4	RING CONNECTOR, #10 STUD, 12 GAUGE, YELLOW
31	2	Y-6	RING CONNECTOR, 5/16 STUD, 10 GAUGE, YELLOW
32	1	6A3-2199	PLACARD, OIL LEVEL

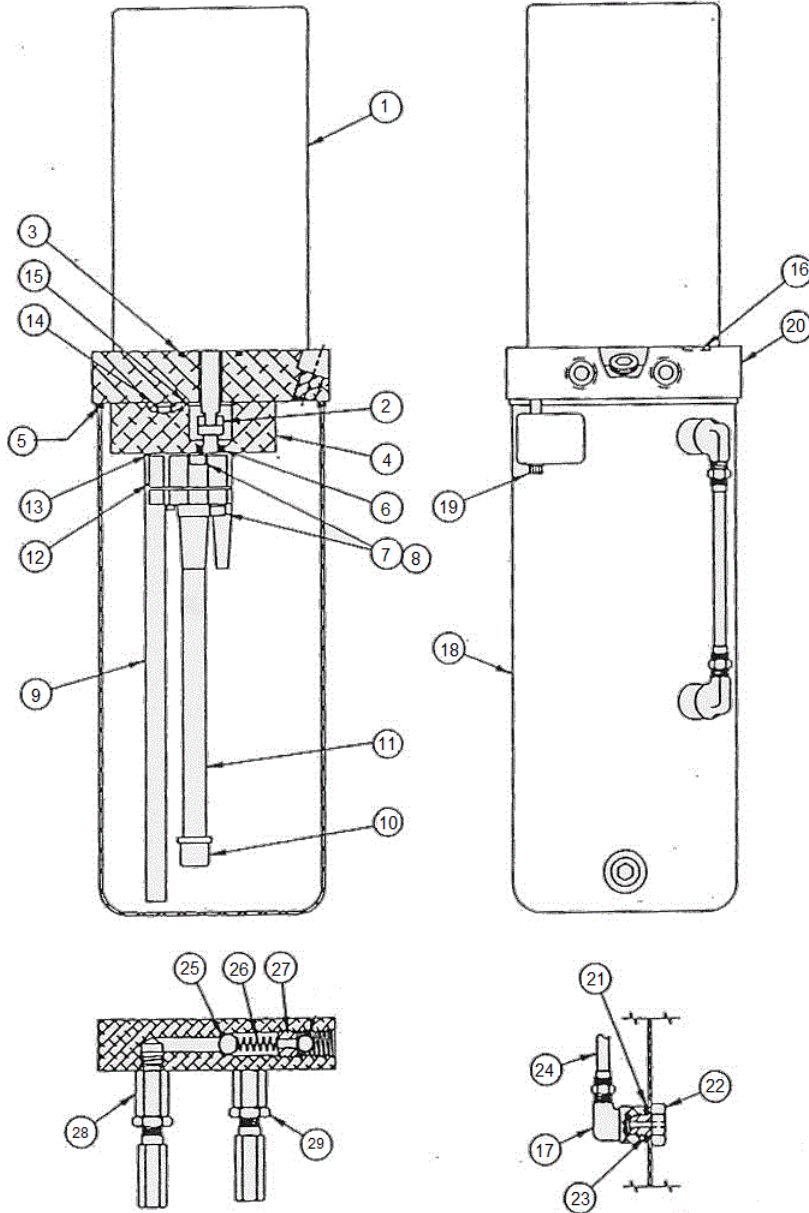
## HYDRAULIC PUMP OVERVIEW POST SERVICE LETTER 207 FLOAT SERIAL NUMBERS 10241 & 10242 AND LATER



PARTS MANUAL  
 10000 AMPHIBIAN FLOATS ON AT-802 & AT-802A - FIRE BOSS CONVERSION

ITEM	QTY	PART NO.	PART DESCRIPTION
1	1	202-0003	BI-DIRECTIONAL PUMP, 0.64 ML/R
2	1	299-0008	SEAL KIT, BI-DIRECTIONAL GEAR PUMP
3	1	610-0017	DC MOTOR, 24V, .8 KW
4	2	631-0005	PRESSURE RELIEF VALVE
5	2	631-0006	THERMAL RELIEF VALVE
6	2	632-0004	ASSEMBLY, PILOT OPERATED CHECK VALVE
7	1	637-0024	SHUTTLE VALVE
8	1	682-0019	FILTER, PICKUP TUBE, HYDRAULIC PUMP
9	1	682-0055	SUCTION HEX TUBE
10	1	682-0056	RETURN TUBE
11	1	683-0011	COUPLING, MOTOR TO PUMP
12	2	685-0012	SPRING, SHUTTLE VALVE
13	1	687-0001	SEAL KIT, RESERVIOR O-RING, PILOT OPERATED RELIEF VALVE O-RING, THERMAL AND PRESSURE RELIEF VALVE O-RING (NOT SHOWN)

**HYDRAULIC PUMP OVERVIEW PRE SERVICE LETTER 207**  
**FLOAT SERIAL NUMBERS 10239 & 10240 AND PRIOR**



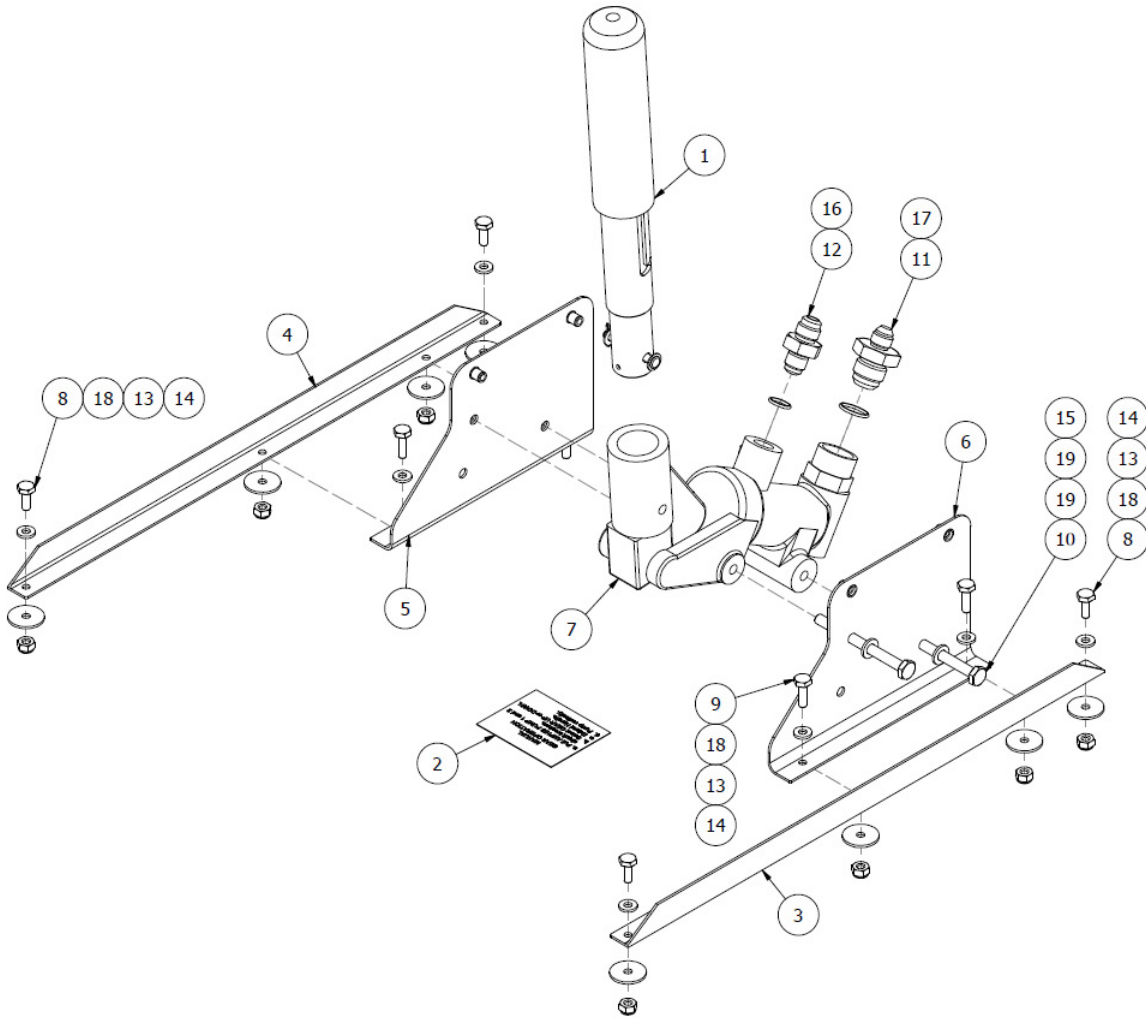
ITEM	QTY	PART NO.	PART DESCRIPTION
-	1	636603A	ASSEMBLY PUMP WITH MOTOR
1	1	MB56N1	MOTOR
	1	MB56C902-3 KIT	BRUSH & BEARING SERVICE KIT
2	1	361730	COUPLING 180
3	1	409406	O RING, 7/8"
4	1	361726	SPACER
5	1	410958*	SEAL RESERVOIR

PARTS MANUAL  
 10000 AMPHIBIAN FLOATS ON AT-802 & AT-802A - FIRE BOSS CONVERSION

ITEM	QTY	PART NO.	PART DESCRIPTION
6	1	410512	OIL SEAL
7	4	410410	WASHER, LOCK 3/8" DIA, 10 HIGH COLLAR
8	4	406187	RESERVOIR BOLTS, 3/16" DIA
9	1	4A09392-001	PIPE NIPPLE (RETURN)
10	1	410521	FILTER, 108, 3/8" DIA
11	1	4A09393-001	TUBE EXTENSION (PICK UP)
12	1	633383	PUMP ASSEMBLY
13	2	MS28775-009	O RING, DIA .0208
14	2	401273	O RING, 1/4" DIA
15	1	MS28775-020	O RING, DIA 0.846
16	2	361615	WASHER, PILOT, 1/4 DIA
17	2	41330	ELBOW
18	1	13A09000-131	ASSEMBLY RESERVOIR
19	2	406187	RESERVOIR BOLTS, 3/16" DIA
	2	409357	WASHER, 3/16 DIA
20	1	361473	PUMP BLOCK, ADAPTER
21	1	361049	RETAINER, O - RING FLAT, 1/2" DIA
22	2	360824	SCREW SIGHT GAUGE
23	2	MS28775-110	O RING, DIA 0.362
24	1	361507	TUBE SIGHT GAUGE
25	1	490405	STEEL BALL
26	1	410462	SPRING, CPRSN, 0.3 X 0.620
27	1	409211	LOCK SCREW, 7/16" DIA
28	1	704520	ASSEMBLY VALVE PRESSURE RELIEF
29	1	704522	ASSEMBLY VALVE THERMAL RELIEF

\* Reference Wipaire drawing 1011032 for alternate part numbers.

## HYDRAULIC HAND PUMP STANDARD INSTALLATION

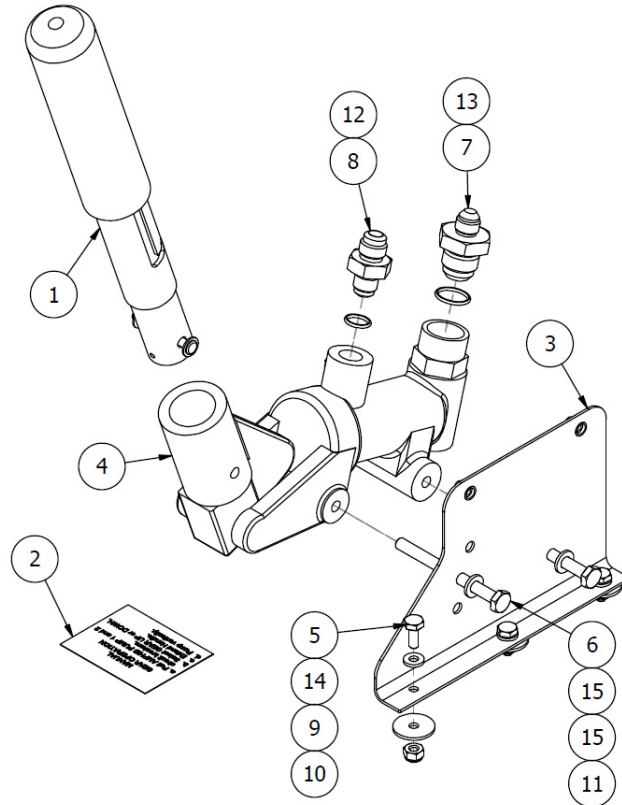


ITEM	QTY	PART NO.	PART DESCRIPTION
1	1	1002838	RETRACT HANDLE
2	1	1003426	PLACARD, EMERG HYD HAND PUMP, AT802A
2.1	1	5B3-595-3	PLACARD, EMRG HYD HAND PUMP, AT802
3	1	10A09340-186	STIFFENER - HAND PUMP MOUNT
4	1	10A09340-187	STIFFENER - HAND PUMP MOUNT
5	1	8A09003-053	ASS'Y, BRACKET, HAND PUMP, LH
6	1	8A09003-054	ASS'Y, BRACKET, HAND PUMP, RH
7	1	914-8D-27	PUMP, HAND, HYDRAULIC
8	4	AN3-4A	BOLT, 10-32, 0.125 GRIP, UNDRILLED, STEEL
9	4	AN3-5A	BOLT, 10-32, 0.25 GRIP, UNDRILLED, STEEL

PARTS MANUAL  
 10000 AMPHIBIAN FLOATS ON AT-802 & AT-802A - FIRE BOSS CONVERSION

ITEM	QTY	PART NO.	PART DESCRIPTION
10	2	AN4-27A	BOLT, 1/4-28, 2.4375 GRIP, UNDRILLED, STEEL
11	1	AN919-11D	UNION, REDUCER
12	1	AN919-7D	FITTING, REDUCER
13	8	AN970-3	WASHER, .203 ID, .875 OD, .063 THK
14	8	MS21044N3	NUT, LOCKING, REGULAR HEIGHT, 10-32 UNF
15	2	MS21044N4	NUT, LOCKING, REGULAR HEIGHT, 1/4-28 UNF
16	1	MS28775-013	"O" RING, HYDRAULIC
17	1	MS28775-016	"O" RING, HYDRAULIC
18	8	NAS1149F0363P	WASHER, 0.203 ID, 0.063 THK, STEEL
19	4	NAS1149F0463P	WASHER, 0.265 ID, 0.063 THK, STEEL

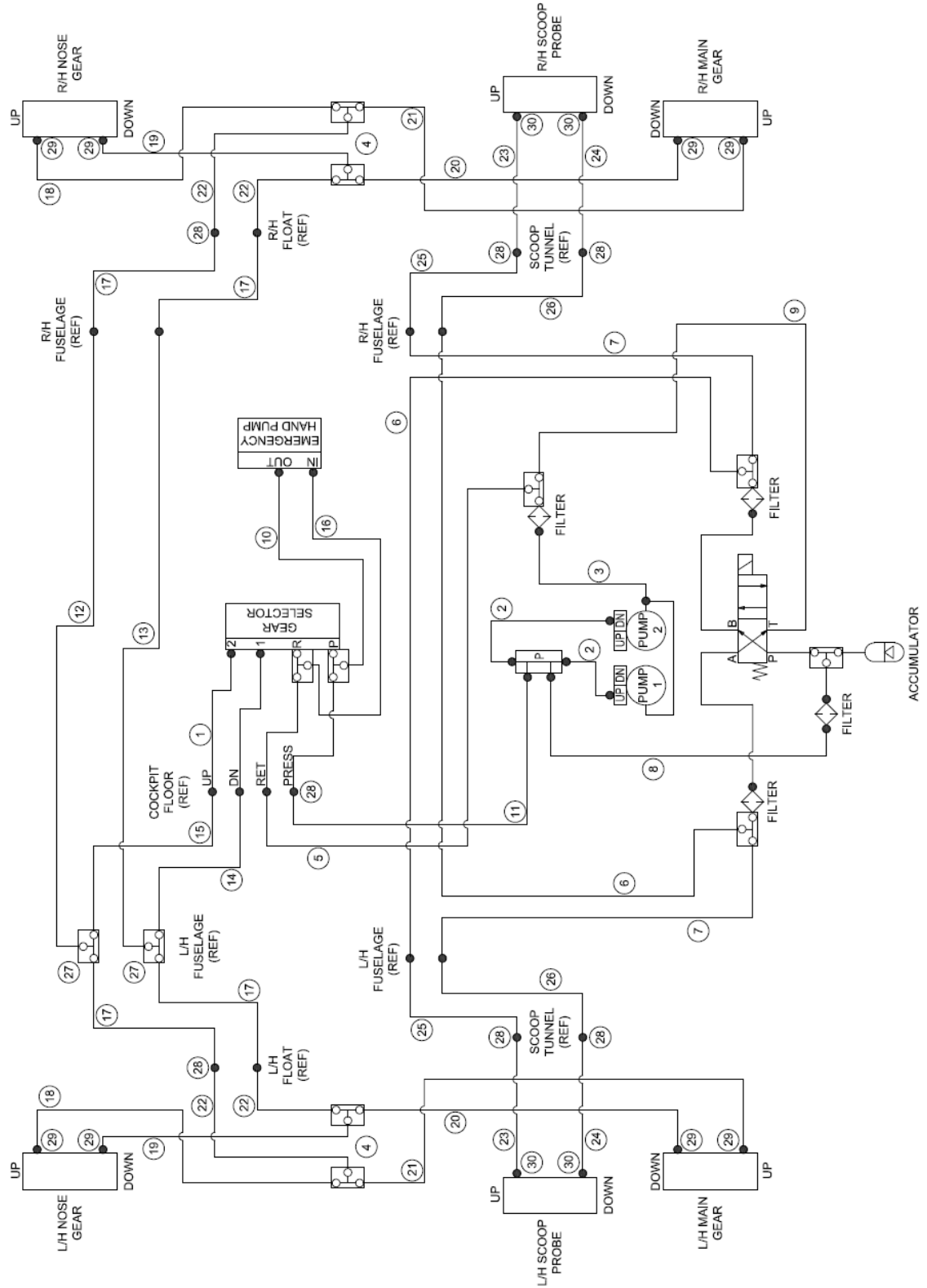
## HYDRAULIC HAND PUMP AT-802 WITH FCU CONTROL ASSEMBLY INSTALLATION



ITEM	QTY	PART NO.	PART DESCRIPTION
1	1	1002838	RETRACT HANDLE
2	1	1003426	PLACARD, EMERG HYD HAND PUMP
3	1	8A09003-054	ASS'Y, BRACKET, HAND PUMP, RH
4	1	914-8D-27	PUMP, HAND, HYDRAULIC
5	3	AN3-4A	BOLT, 10-32, 0.125 GRIP, UNDRILLED, STEEL
6	2	AN4-27A	BOLT, 1/4-28, 2.4375 GRIP, UNDRILLED, STEEL
7	1	AN919-11D	UNION, REDUCER
8	1	AN919-7D	FITTING, REDUCER
9	3	AN970-3	WASHER, .203 ID, .875 OD, .063 THK
10	3	MS21044N3	NUT, LOCKING, REGULAR HEIGHT, 10-32 UNF
11	2	MS21044N4	NUT, LOCKING, REGULAR HEIGHT, 1/4-28 UNF
12	1	MS28775-013	"O" RING, HYDRAULIC
13	1	MS28775-016	"O" RING, HYDRAULIC
14	3	NAS1149F0363P	WASHER, 0.203 ID, 0.063 THK, STEEL
15	4	NAS1149F0463P	WASHER, 0.265 ID, 0.063 THK, STEEL



## HYDRAULIC SCHEMATIC



PARTS MANUAL  
10000 AMPHIBIAN FLOATS ON AT-802 & AT-802A - FIRE BOSS CONVERSION

ITEM	QTY	PART NO.	PART DESCRIPTION
1	4	1005212	ASSEMBLY, HOSE, GEAR SELECTOR TO COCKPIT FLOOR
2	2	1011361-01	ASSEMBLY, HOSE, PUMP TO PUMP MANIFOLD
3	1	1011361-02	ASSEMBLY, HOSE, RETURN FILTER TO RESERVOIR
4	2	6A09000-027	FLOAT MANIFOLD
	4	AN816-4D	FITTING, NIPPLE, FLARED TUBE AND PIPE THREAD
	2	AN816-5-4D	FITTING, NIPPLE, FLARED TUBE AND PIPE THREAD
5	1	10A09000-298	ASSEMBLY, HOSE, GEAR SELECTOR TO RETURN FILTER
6	2	10A09000-299	ASSEMBLY, HOSE, FILTER TEE TO SCOOPS
7	2	10A09000-300	ASSEMBLY, HOSE, FILTER TEE TO SCOOPS
8	1	10A09000-303	ASSEMBLY, HOSE, PUMP MANIFOLD TO ACCUMULATOR
9	1	10A09000-304	ASSEMBLY, HOSE, SOLENOID VALVE TO RETURN FILTER
10	1	10A09000-305	ASSEMBLY, HOSE, HAND PUMP TO GEAR SELECTOR, PRESSURE
	1	1009858-01	ASSEMBLY, HOSE, HAND PUMP TO GEAR SELECTOR, PRESSURE, WITH FCU CONTROL ASSEMBLY
11	1	10A09000-306	ASSEMBLY, HOSE, HYDRAULIC PUMPS MANIFOLD TO GEAR SELECTOR
12	1	10A09000-307	ASSEMBLY, HOSE, LEFT FUSELAGE TEE TO RIGHT FUSELAGE UNION, UP
13	1	10A09000-308	ASSEMBLY, HOSE, LEFT FUSELAGE TEE TO RIGHT FUSELAGE UNION, DN
14	1	10A09000-309	ASSEMBLY, HOSE, COCKPIT FLOOR TO LEFT FUSELAGE TEE, DN
15	1	10A09000-310	ASSEMBLY, HOSE, COCKPIT FLOOR TO LEFT FUSELAGE TEE, UP
16	1	10A09000-311	ASSEMBLY, HOSE, HAND PUMP TO GEAR SELECTOR, RETURN
	1	1009858-02	ASSEMBLY, HOSE, HAND PUMP TO GEAR SELECTOR, RETURN, WITH FCU CONTROL ASSEMBLY
17	4	10A09000-312	ASSEMBLY, HOSE, FUSELAGE TO FLOAT DECK
18	2	10A09000-316	ASSEMBLY, HOSE, FLOAT MANIFOLD TO NOSE GEAR UP
19	2	10A09000-317	ASSEMBLY, HOSE, FLOAT MANIFOLD TO NOSE GEAR DN
20	2	10A09000-318	ASSEMBLY, HOSE, FLOAT MANIFOLD TO MAIN GEAR DN
21	2	10A09000-319	ASSEMBLY, HOSE, FLOAT MANIFOLD TO MAIN GEAR UP
22	4	10A09000-321	ASSEMBLY, HOSE, FLOAT MANIFOLD TO FLOAT DECK
23	2	10A09000-322	ASSEMBLY, HOSE, SCOOP TO TUNNEL UP UNION
24	2	10A09000-323	ASSEMBLY, HOSE, SCOOP TO TUNNEL DN UNION
25	2	10A09000-301	ASSEMBLY, HOSE, SCOOP TUNNEL UP UNION TO FUSELAGE UNION
26	2	10A09000-302	ASSEMBLY, HOSE, SCOOP TUNNEL DN UNION TO FUSELAGE UNION
27	2	AN804-5D	TEE, BULKHEAD, FLARED TUBE
	2	AN924-5D	NUT, TUBE, 1/2-20 THREAD
	4	NAS1149D0863J	WASHER, 0.515 ID, 0.063 THK, ALUMINUM

PARTS MANUAL  
 10000 AMPHIBIAN FLOATS ON AT-802 & AT-802A - FIRE BOSS CONVERSION

ITEM	QTY	PART NO.	PART DESCRIPTION
28	8	AN833-5D	ELBOW, 90 DEGREE, BULKHEAD, FLARED TUBE
	8	AN924-5D	NUT, TUBE, 1/2-20 THREAD
	16	NAS1149D0863J	WASHER, 0.515 ID, 0.063 THK, ALUMINUM
29	8	MS20822-4D	ELBOW, 90 DEGREE, FLARED TUBE AND PIPE THREAD
30	4	MS20822-5-4D	ELBOW, 90 DEGREE, FLARED TUBE AND PIPE THREAD

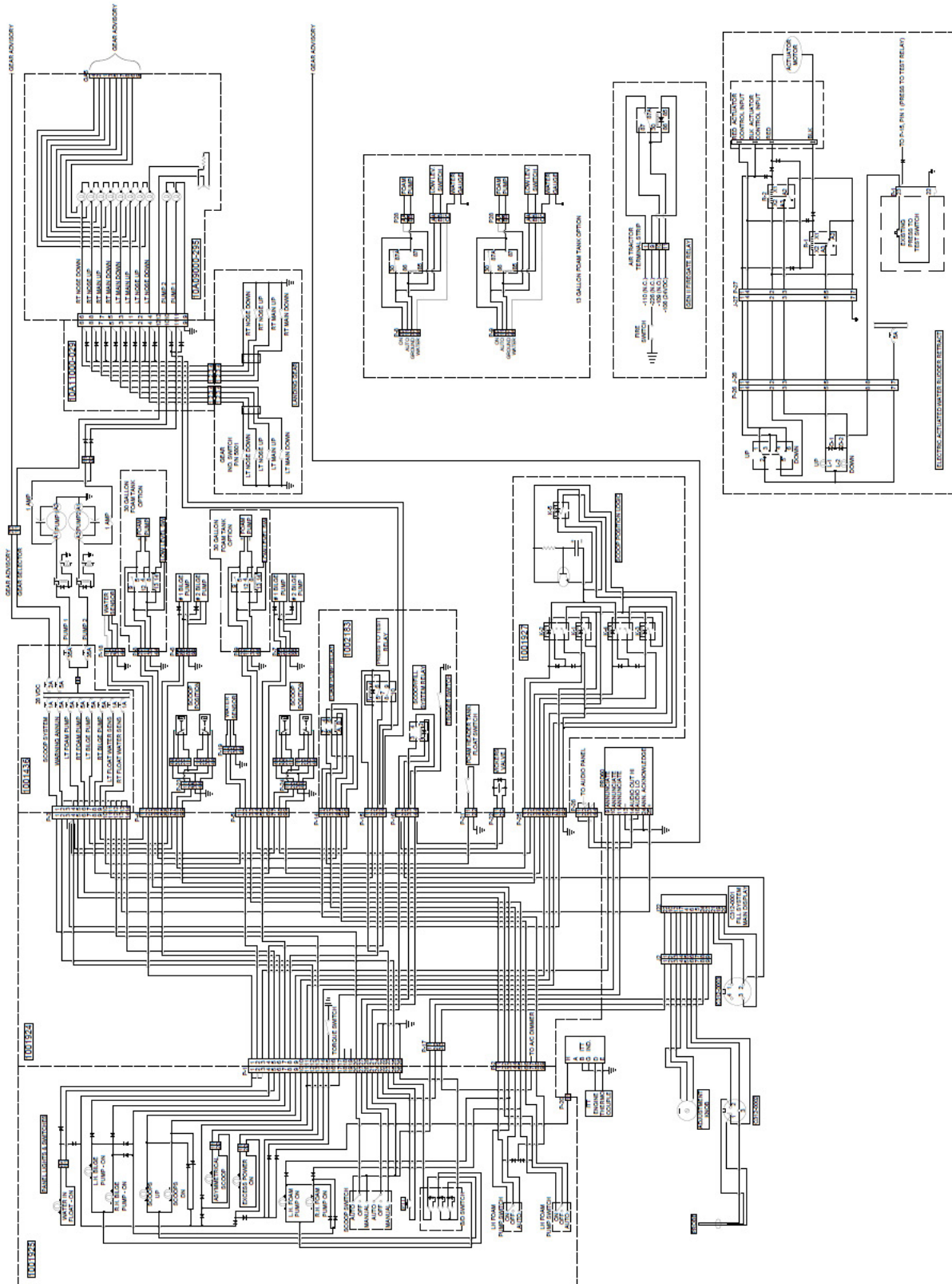
THIS PAGE INTENTIONALLY LEFT BLANK

## SECTION 5 ELECTRICAL

### CONTENTS

ELECTRICAL SCHEMATIC POST SERVICE LETTER 207 .....	162
ELECTRICAL SCHEMATIC PRE SERVICE LETTER 207 .....	164
GEAR CONTROL ASSEMBLY.....	166
BILGE PUMP SYSTEM AND WATER SENSOR.....	168
AMTECH FILL SENSOR PRE SERVICE LETTER 205 FLOAT S/N 10227A & 10228A AND PRIOR .....	170
TROTTER CONTROLS FILL SENSOR POST SERVICE LETTER 205 FLOAT S/N 10229A OR LATER.....	171
TROTTER CONTROLS SCHEMATIC.....	173
ANGLE OF ATTACK SYSTEM.....	175
SCOOP SENSOR LOGIC POSITION .....	176
WATER BOMBER INSTRUMENT PANEL .....	178

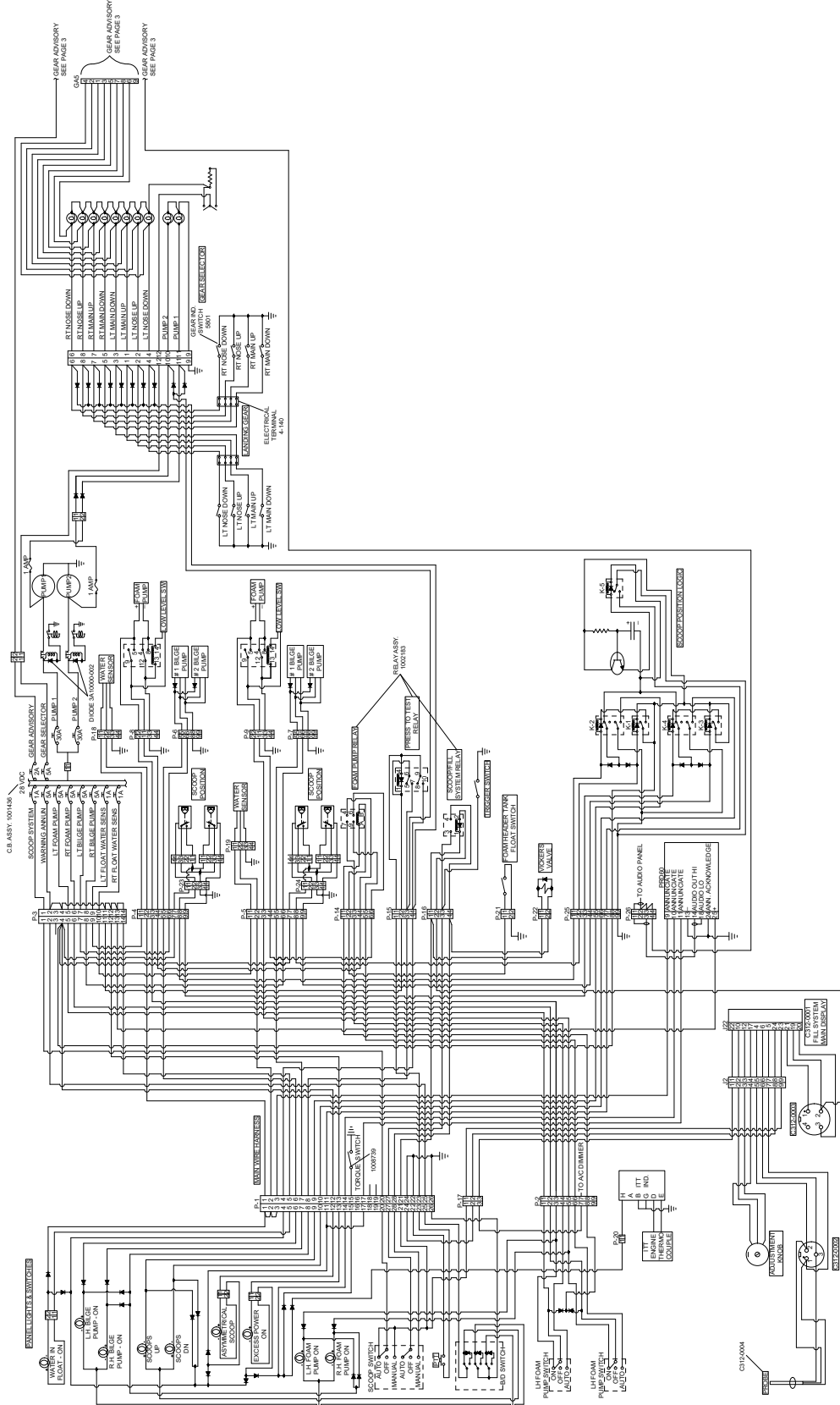
# ELECTRICAL SCHEMATIC POST SERVICE LETTER 207 FLOAT SERIAL NUMBERS 10241 & 10242 AND LATER



PARTS MANUAL  
10000 AMPHIBIAN FLOATS ON AT-802 & AT-802A - FIRE BOSS CONVERSION

REFERENCE PARTS LIST									
DESCRIPTION	TYPE	# OF POSITIONS	MALE CONNECTOR P/N	FEMALE CONNECTOR P/N	MALE PINS P/N	FEMALE PINS P/N	SHELL X2 P/N		
P1	CPC	28	206152-1	205839-3	205089-1	205090-1	206070-1		
P2	CPC	9	206705-2	206708-1	66099-4	66101-4	206966-1		
P3	CPC	14	206044-1	206043-3	66103-4	66105-4	206070-1		
P4	CPC	9	206705-2	206708-1	66099-4	66101-4	206966-1		
P5	CPC	9	206705-2	206708-1	66099-4	66101-4	206966-1		
P6	CPC	9	206705-2	206708-1	66099-4	66101-4	206966-1		
P7	CPC	9	206705-2	206708-1	66099-4	66101-4	206966-1		
P8	CPC	4	206429-1	206430-1	66099-4	66101-4	206062-3		
P9	CPC	4	206429-1	206430-1	66099-4	66101-4	206062-3		
P10	QUICK DISCONNECT	1	73M-250-32-NL	73F-250-32-NL	-	-	-		
P11	MOLEX	3	03-06-2032	03-06-1032	02-06-2103	02-06-1103	N/A		
P12	MOLEX	3	03-06-2032	03-06-1032	02-06-2103	02-06-1103	N/A		
P13	MOLEX	4	03-06-2042	03-06-1042	02-06-2103	02-06-1103	N/A		
P14	MOLEX	6	03-09-2061	03-09-1061	02-09-2103	02-09-1104	N/A		
P15	MOLEX	4	03-06-2042	03-06-1042	02-06-2103	02-06-1103	N/A		
P16	MOLEX	4	03-06-2042	03-06-1042	02-06-2103	02-06-1103	N/A		
P17	MOLEX	3	03-06-2032	03-06-1032	02-06-2103	02-06-1103	N/A		
P18	CPC	4	206429-1	206430-2	66099-4	66101-4	206062-3		
P19	CPC	4	206429-1	206430-2	66099-4	66101-4	206062-3		
P20	MOLEX	1	03-06-2011	03-06-1011	02-06-2103	02-06-1103	N/A		
P21	MOLEX	2	03-06-2023	03-06-1023	02-06-2103	02-06-1103	N/A		
P22	MOLEX	2	03-06-2023	03-06-1023	02-06-2103	02-06-1103	N/A		
P23	TURCK	4	U0163-11	U-34917	N/A	N/A	N/A		
P24	TURCK	4	U0163-11	U-34917	N/A	N/A	N/A		
P25	MOLEX	9	03-06-2092	03-06-1092	02-06-2103	02-06-1103	N/A		
P26	MOLEX	9	-	03-06-2092	02-09-2118	-	-		
P27	MOLEX	9	-	03-06-2092	02-09-2118	-	-		
P28	APTIV	2	12010973	12015792	12124582	12124580	N/A		
P29	APTIV	3	12020827	12020829	12124582	12124580	N/A		
P30	APTIV	2	12010973	12015792	12124582	12124580	N/A		
P31	APTIV	3	12020827	12020829	12124582	12124580	N/A		
J26	MOLEX	9	03-09-1094	-	-	02-09-1119	-		
J27	MOLEX	9	03-09-1094	-	-	02-09-1119	-		

# ELECTRICAL SCHEMATIC PRE SERVICE LETTER 207 FLOAT SERIAL NUMBERS 10239 & 10240 AND PRIOR

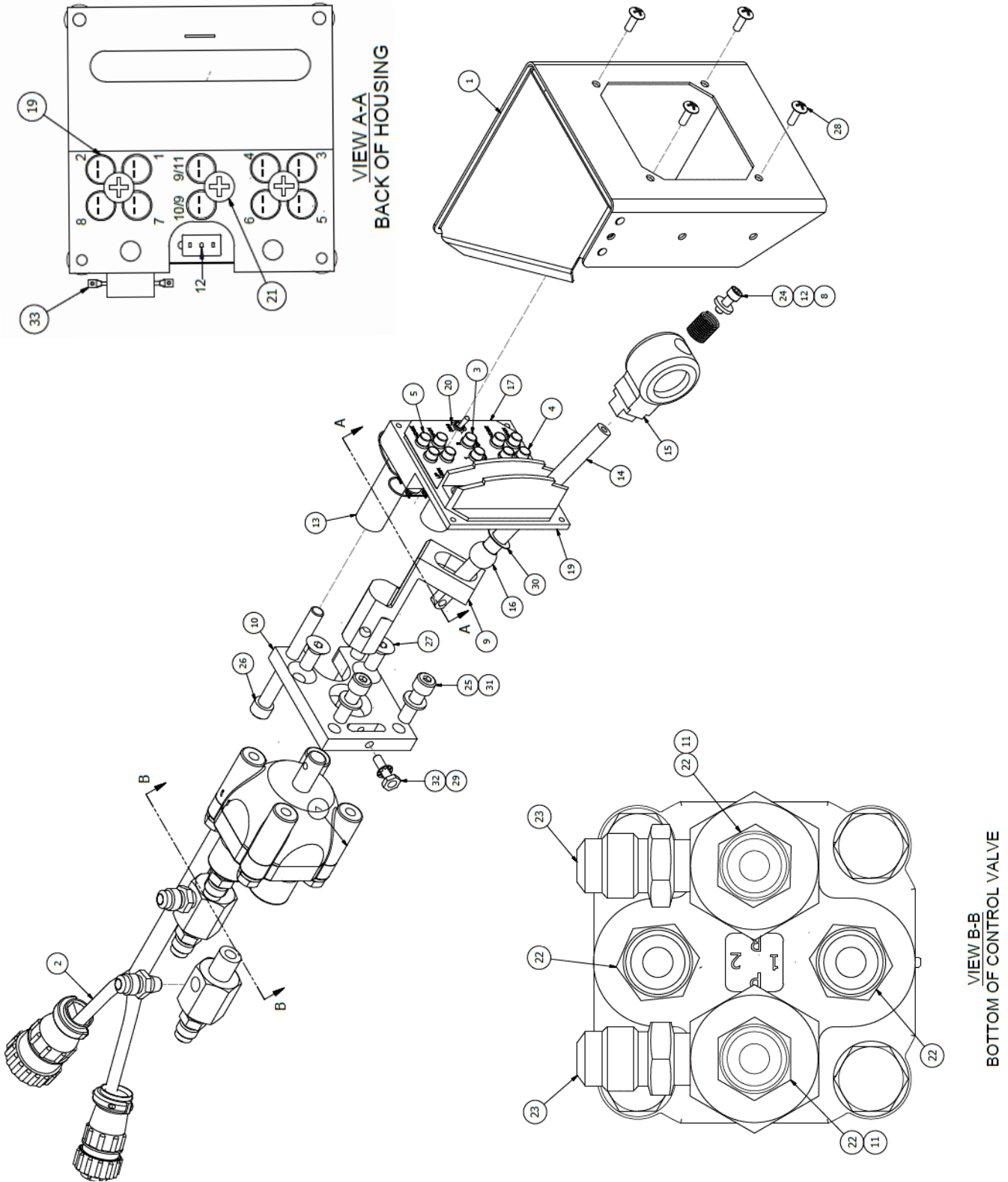




PARTS MANUAL  
10000 AMPHIBIAN FLOATS ON AT-802 & AT-802A - FIRE BOSS CONVERSION

REFERENCE PARTS LIST									
DESCRIPTION	TYPE	# OF POSITIONS	MALE CONNECTOR P/N	FEMALE CONNECTOR P/N	MALE PINS P/N	FEMALE PINS P/N	SHELL X2 P/N		
P1	CPC	28	206152-1	205839-3	205089-1	205090-1	206070-1		
P2	CPC	9	206705-2	206708-1	66099-4	66101-4	206966-1		
P3	CPC	14	206044-1	206043-3	66103-4	66105-4	206070-1		
P4	CPC	9	206705-2	206708-1	66099-4	66101-4	206966-1		
P5	CPC	9	206705-2	206708-1	66099-4	66101-4	206966-1		
P6	CPC	9	206705-2	206708-1	66099-4	66101-4	206966-1		
P7	CPC	9	206705-2	206708-1	66099-4	66101-4	206966-1		
P8	CPC	4	206429-1	206430-1	66099-4	66101-4	206062-3		
P9	CPC	4	206429-1	206430-1	66099-4	66101-4	206062-3		
P10	MOLEX	1	2601048-200 (KIT)						
P11	MOLEX	3	03-06-2032	03-06-1032	02-06-2103	02-06-1103	N/A		
P12	MOLEX	3	03-06-2032	03-06-1032	02-06-2103	02-06-1103	N/A		
P13	MOLEX	4	03-06-2042	03-06-1042	02-06-2103	02-06-1103	N/A		
P14	MOLEX	6	03-09-2061	03-09-1061	02-09-2103	02-09-1104	N/A		
P15	MOLEX	4	03-06-2042	03-06-1042	02-06-2103	02-06-1103	N/A		
P16	MOLEX	4	03-06-2042	03-06-1042	02-06-2103	02-06-1103	N/A		
P17	MOLEX	3	03-06-2032	03-06-1032	02-06-2103	02-06-1103	N/A		
P18	CPC	4	206429-1	206430-2	66099-4	66101-4	206062-3		
P19	CPC	4	206429-1	206430-2	66099-4	66101-4	206062-3		
P20	MOLEX	1	03-06-2011	03-06-1011	02-06-2103	02-06-1103	N/A		
P21	MOLEX	2	03-06-2023	03-06-1023	02-06-2103	02-06-1103	N/A		
P22	MOLEX	2	03-06-2023	03-06-1023	02-06-2103	02-06-1103	N/A		
P23	TURCK	4	U0163-11	U-34917	N/A	N/A	N/A		
P24	TURCK	4	U0163-11	U-34917	N/A	N/A	N/A		
P25	MOLEX	9	03-06-2092	03-06-1092	02-06-2103	02-06-1103	N/A		
P26	MOLEX	9	-	03-06-2092	02-09-2118	-	-		
P27	MOLEX	9	-	03-06-2092	02-09-2118	-	-		
J26	MOLEX	9	03-09-1094	-	-	02-09-1119	-		
J27	MOLEX	9	03-09-1094	-	-	02-09-1119	-		
K-1	RELAY		P/N 90F1117	KUHP-11D51-24					
K-2	RELAY		P/N 45F107						
K-3	RELAY		P/N 09B8512						
ZENER DIODE	95B4982								
DIODE	1N4006								

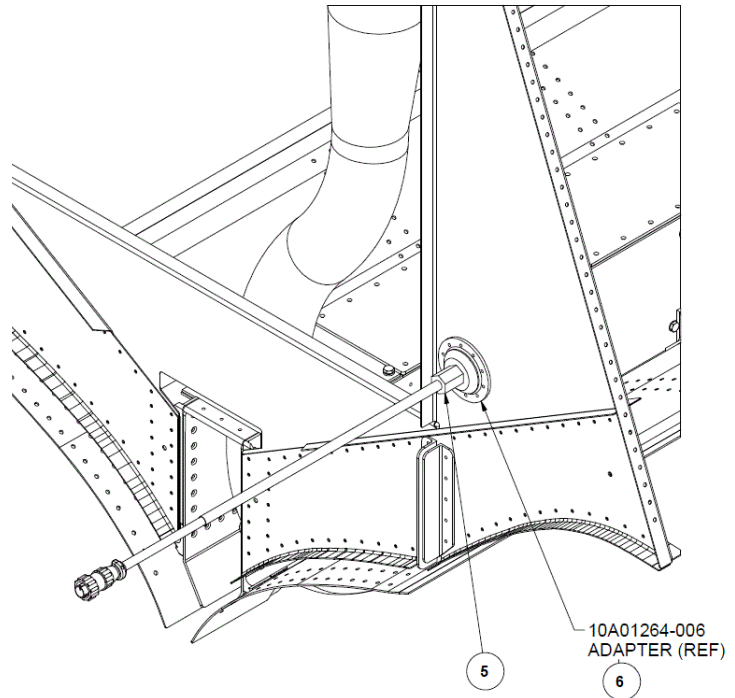
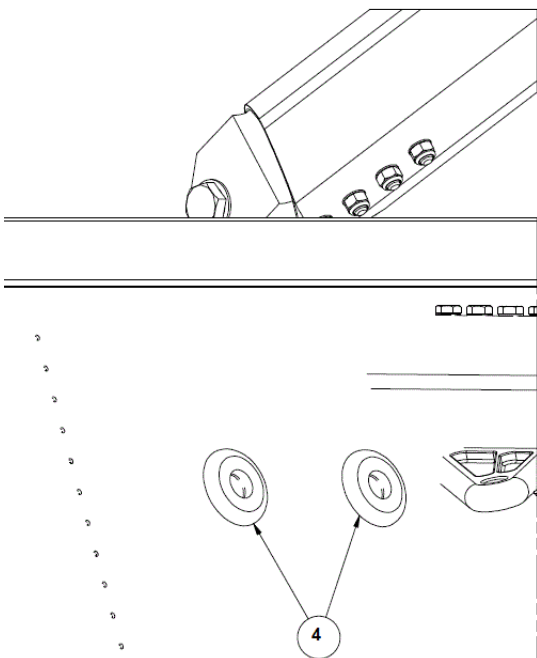
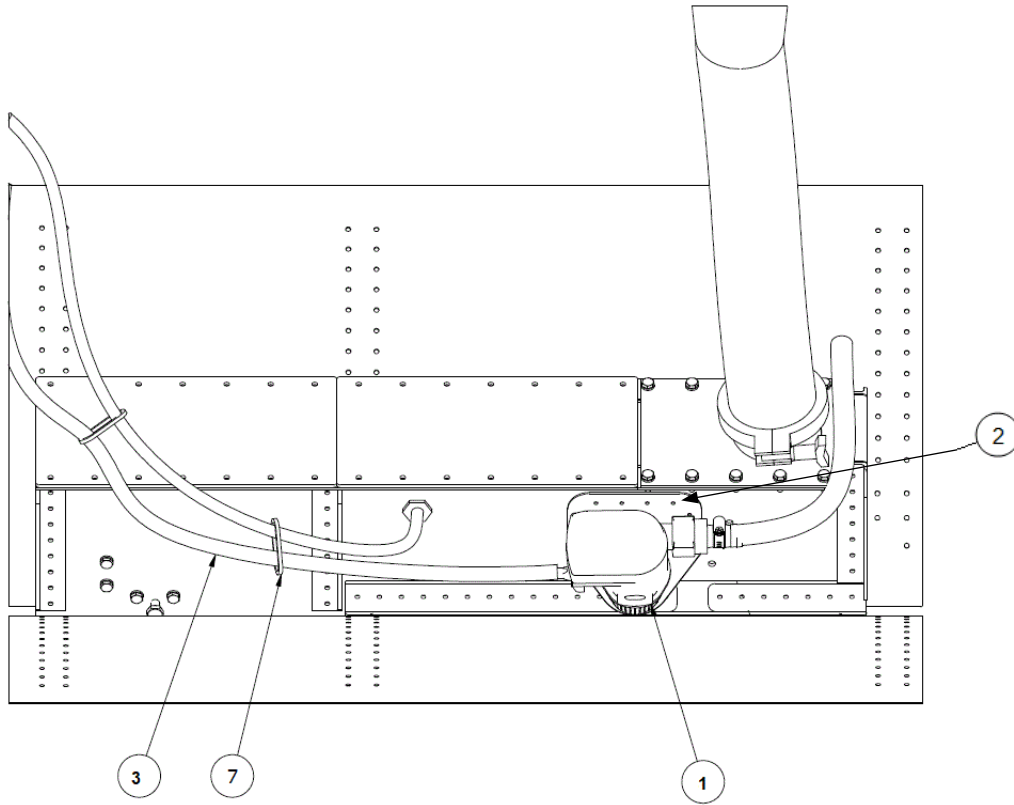
### GEAR CONTROL ASSEMBLY



PARTS MANUAL  
10000 AMPHIBIAN FLOATS ON AT-802 & AT-802A - FIRE BOSS CONVERSION

ITEM	QTY	PART NO.	PART DESCRIPTION
-	1	10A09000-295	ASSEMBLY, HYDRAULIC CONTROL VALVE
1	1	10A12000-080	GEAR SELECTOR ASSEMBLY, HOUSING
2	1	4A11000-008	ASSEMBLY, WIRING HARNESS, SELECTOR
3	2	5073918-1431-600	INDICATOR LAMP, 28V, RED
4	4	5073918-1432-600	INDICATOR LAMP, 28V, GRN
5	4	5073918-1434-600	INDICATOR LAMP, 28V, BLU
6	10	515-0012	SOCKET, GEAR SELECTOR LIGHTS
7	1	6A09000-080	ASSEMBLY, VALVE, HYDRAULIC, WITH MODIFIED PLATE
8	1	6A09713-001	SPRING, HYDRAULIC CONTROL VALVE
9	1	6A11032-002	LINK - HYDRAULIC, CONTROL VALVE
10	1	6A11190-001	FITTING, HYDRAULIC, CONTROL VALVE
11	2	6A11261-005	FITTING - HYDRAULIC, CONTROL VALVE
12	1	6A11274-002	WASHER, HYDRAULIC CONTROL SYSTEM
13	2	6A11278-001	SPACER - HYDRAULIC CONTROL VALVE
14	1	6A11506-001	ROD, HANDLE, HYD. CONTROL VALVE
15	1	6A11603-002	KNOB - HYDRAULIC CONTROL VALVE
16	1	6A11704-001	ROLLER, CONTROL ROD
17	1	7A3-4310	PLACARD, HYDRAULIC CONTROL VALVE
18	4	820-01291	CAP, BLACK, 7/16-20 THREADS
19	1	8A11199-006	BLOCK, HYDRAULIC, CONTROL VALVE
20	1	A101SYCB	TOGGLE SWITCH, SPDT, ON ON
21	3	AN526-832R6	SCREW, MACHINE, TRUSS HEAD
22	4	AN816-5-4D	NIPPLE, FLARED TUBE AND PIPE THREAD
23	2	AN816-5D	NIPPLE, FLARED TUBE AND PIPE THREAD
24	1	MS16996-10	CAP SCREW
25	2	MS16997-80	SCREW, CAP, SOCKET HEAD
26	2	MS16997-88	SCREW, CAP, SOCKET HEAD
27	2	MS24667-40	BOLT
28	4	MS35214-42	SCREW, MACHINE, TRUSS HEAD
29	1	MS35333-39	STAR WASHER
30	1	NAS1149D0616J	WASHER, 0.39 ID, 0.016 THK, ALUMINUM
31	2	NAS1149F0563P	WASHER, 0.328 ID, 0.063 THK, STEEL
32	1	NAS6203-7	BOLT
33	1	RH-5-180	RESISTOR, 28V
34	6 FT	RNF-3/32-0	TUBING, SHRINK BLACK

## BILGE PUMP SYSTEM AND WATER SENSOR



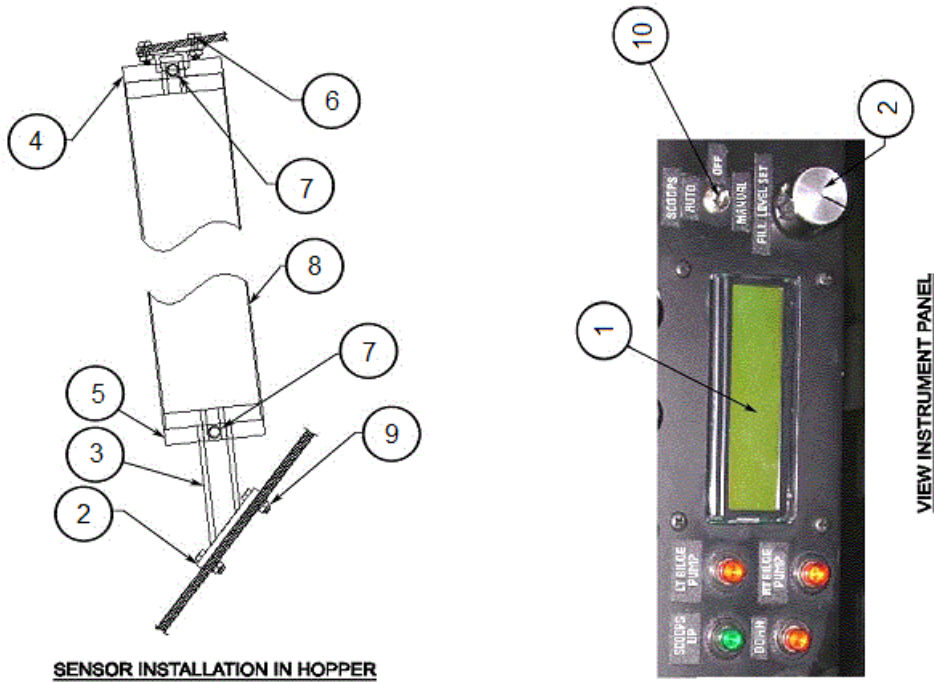
PARTS MANUAL  
 10000 AMPHIBIAN FLOATS ON AT-802 & AT-802A - FIRE BOSS CONVERSION

ITEM	QTY	PART NO.	PART DESCRIPTION
1	1	1007499	ASSY., PUMP, BILGE (S/N 10204 AND PRIOR ORDER 1001797)
	2	RM500B-24	BILGE PUMP, 24V, 500 GPH (S/N 10204 AND PRIOR ORDER RM750-24)
	8	AN3-5A	BOLT, 10-32, 0.25 GRIP, UNDRILLED, STEEL
	16	NAS1149F0363P	WASHER, 0.203 ID, 0.063 THK, STEEL
	8	MS21044N3	NUT, LOCKING, REGULAR HEIGHT, 10-32 UNF
2	2	1007498	BRACKET – PUMP MOUNT (S/N 10204 AND PRIOR ORDER 10A01163-116)
3	4	0232-1419	¾" I.D. BILGE HOSE (SPECIFY LENGTH)
4	2	0322-0404	¾" FITTING
5	1	1001796	ASSEMBLY, WATER SENSOR
	1	3G3283-1	WATER SENSOR
	1	3G3283-5	WATER SENSOR ALTERNATE
6	1	10A01264-006	ADAPTER – WATER SENSOR
7	1	1001799	ASSEMBLY, HARNESS FLOAT WIRING (4 PIN SCOOP POSITION SWITCH CONNECTOR)
	1	1002221	ASSEMBLY, HARNESS FLOAT WIRING (6 PIN SCOOP POSITION SWITCH CONNECTOR) 6 PIN WIPAIRE S/N 10053-10204A
	1	1009794	ASSEMBLY, HARNESS FLOAT WIRING (6 PIN SCOOP POSITION SWITCH CONNECTOR) USED WITH U0163-11 SPLITTER S/N 10205A/10206A

## AMTECH FILL SENSOR (DISCONTINUED)

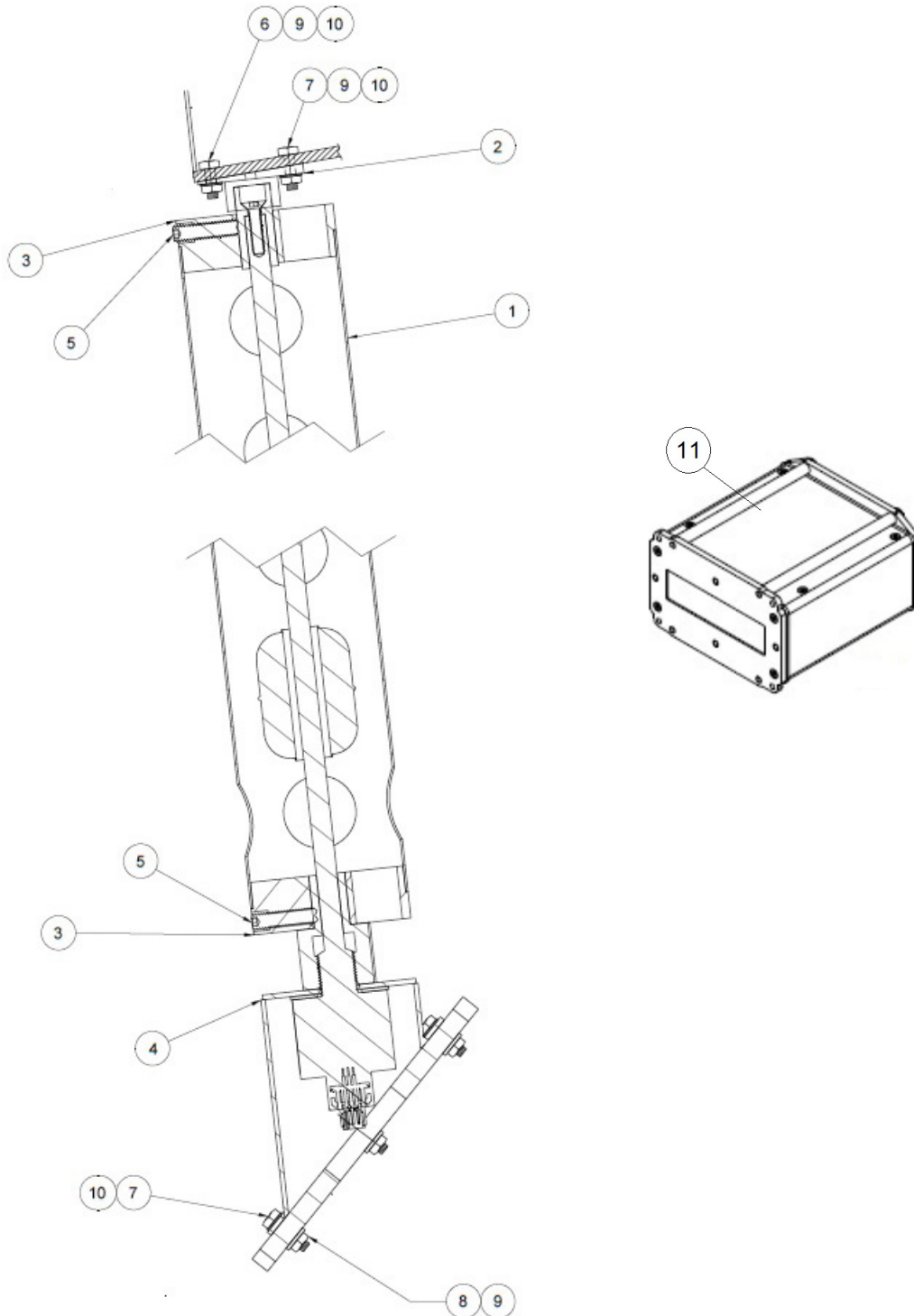
### PRE SERVICE LETTER 205

### FLOAT S/N 10227A & 10228A AND PRIOR



ITEM	QTY	PART NO.	PART DESCRIPTION
1	1	C312-0001	FILL SYSTEM DISPLAY
	1	C312-0003	OUTPUT CABLE
	1	C312-0002	BREAKOUT CABLE (WITH POTENTIOMETER AND KNOB)
2	1	C312-0004	PROBE WITH CABLE
3	1	10A12270-008	SPACER FLOAT
4	1	10A12264-005	BRACKET - FLOAT GUIDE
5	1	10A12264-005	BRACKET - FLOAT GUIDE
6	1	10A12251-006	BRACKET - UPPER - FLOAT GUIDE
	2	AN3-6A	BOLT, 10-32, 0.375 GRIP, UNDRILLED, STEEL
	8	NAS1149F0363P	WASHER, 0.203 ID, 0.063 THK, STEEL
	4	MS21044N3	NUT, LOCKING, REGULAR HEIGHT, 10-32 UNF
	2	AN3-5A	BOLT, 10-32, 0.25 GRIP, UNDRILLED, STEEL
7	2	91375A585	SET SCREW, 5/16"X18X1.25" (25/PKG)
8	1	10A12665-001	SHIELD HOPPER FILL CONTROL
9	4	AN3-6A	BOLT, 10-32, 0.375 GRIP, UNDRILLED, STEEL
	4	AN970-3	WASHER, .203 ID, .875 OD, .063 THICK
	4	MS21044N3	NUT, LOCKING, REGULAR HEIGHT, 10-32 UNF
10	1	61F1248	SWITCH, TOGGLE, DOUBLE POLE

**TROTTER CONTROLS FILL SENSOR (REPLACEMENT)**  
**POST SERVICE LETTER 205**  
**FLOAT S/N 10229A & 10230A OR LATER**

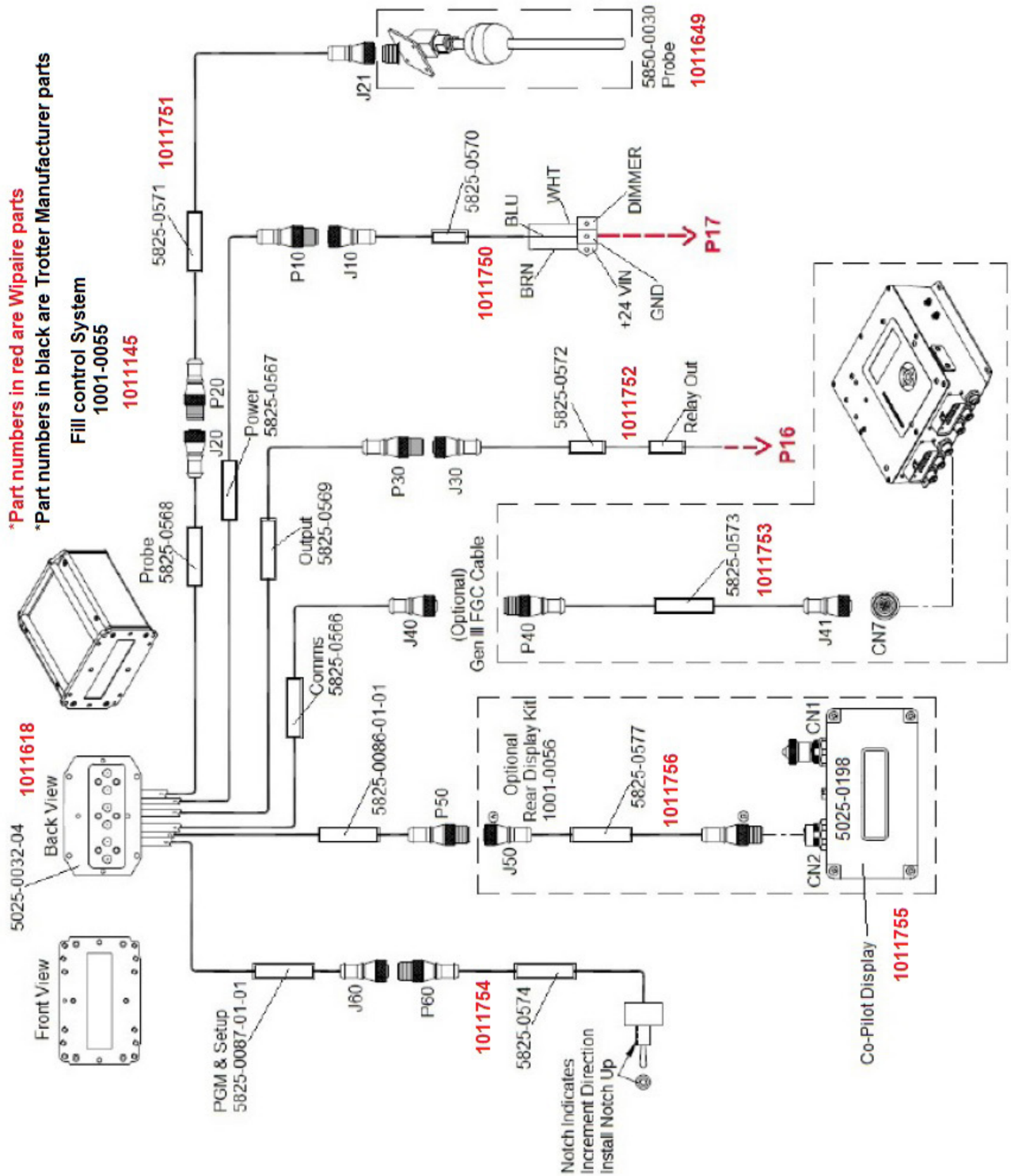


PARTS MANUAL  
10000 AMPHIBIAN FLOATS ON AT-802 & AT-802A - FIRE BOSS CONVERSION

ITEM	QTY	PART NO.	PART DESCRIPTION
-	1	7D1-4378	TROTTER, HOPPER FILL CONTROL SYSTEM
1	1	1011432	SHEILD HOPPER
2	1	10A12251-006	BRACKET, UPPER, FLOAT, GUIDE
3	2	10A12264-005	BRACKET, FLOAT GUIDE
4	1	1011649	TROTTER PROBE ASSEMBLY, FILL SYSTEM TROTTER MANUFACTURER PART NUMBER 5850-0030
5	2	91375A585	SET SCREW, 5/16-18X1.25
6	2	AN3C5A	BOLT, 21/32, 10-32
7	8	AN3C6A	BOLT, 25/32, 10-32
8	6	AN970C3	WASHER, LARGE AREA
9	10	MS21044C3	NUT, 10-32
10	8	NAS1149C0363R	WASHER
11	1	1011618	DISPLAY, FILL LEVEL, PILOT, FIREBOSS TROTTER MANUFACTURER PART NUMBER 5025-0032-04



## TROTTER CONTROLS SCHEMATIC



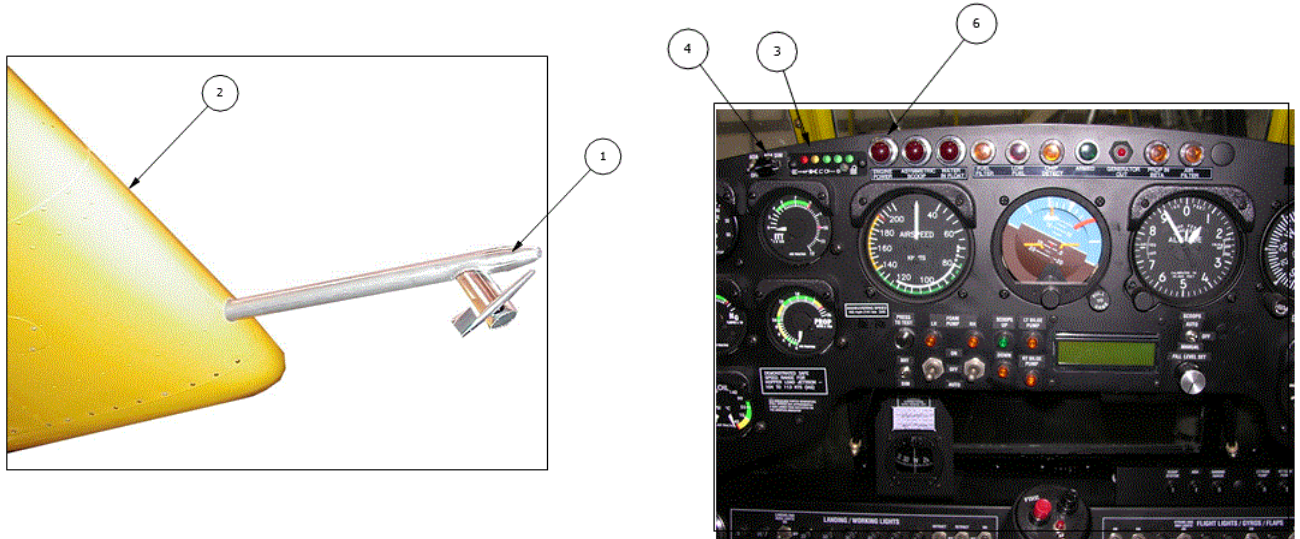
PARTS MANUAL

10000 AMPHIBIAN FLOATS ON AT-802 & AT-802A - FIRE BOSS CONVERSION

<b>QTY</b>	<b>PART NO.</b>	<b>PART DESCRIPTION</b>
-	1011145	LCD DISPLAY & LEVEL PROVE ASSEMBLY, FIRE BOSS TROTTER MANUFACTURER PART NUMBER 1001-0055
1	1011618	DISPLAY, FILL LEVEL, PILOT, FIREBOSS TROTTER MANUFACTURER PART NUMBER 5025-0032-04
1	1011750	ASS'Y, HARNESS, POWER, FEMALE, FLYING LEAD END TROTTER MANUFACTURER PART NUMBER 5825-0570
1	1011751	ASS'Y, HARNESS, PROBE EXTENSION CABLE TROTTER MANUFACTURER PART NUMBER 5825-0571
1	1011752	ASS'Y, HARNESS, OUTPUT CABLE, FEMALE, FLYING LEAD END TROTTER MANUFACTURER PART NUMBER 5825-0572
1	1011753	ASS'Y, HARNESS, RS232 TO CN7 OF DV, 5M (16') (OPTIONAL) TROTTER MANUFACTURER PART NUMBER 5825-0573
1	1011754	ASS'Y, HARNESS, SCOOP QTY SWITCH INTERFACE TROTTER MANUFACTURER PART NUMBER 5825-0574
1	1011649	ASS'Y, AT-802 FIRE BOSS PROBE TROTTER MANUFACTURER PART NUMBER 5850-0030
-	1011761	ASS'Y, AT-802 FIRE BOSS REMOTE DISPLAY KIT TROTTER MANUFACTURER PART NUMBER 1001-0056
1	1011755	ASS'Y, ENCLOSURE LCD REMOTE DISPLAY (FIRE BOSS) TROTTER MANUFACTURER PART NUMBER 5025-0198
1	1011756	ASS'Y, HARNESS, OPTIONAL REAR DISPLAY TROTTER MANUFACTURER PART NUMBER 5825-0577

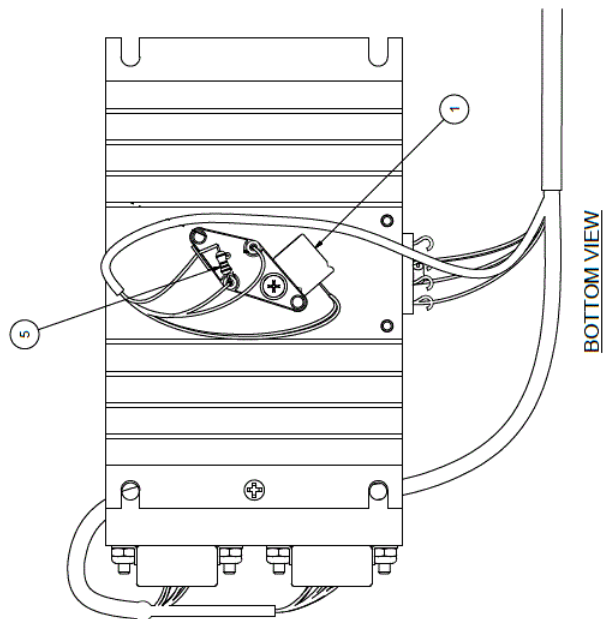
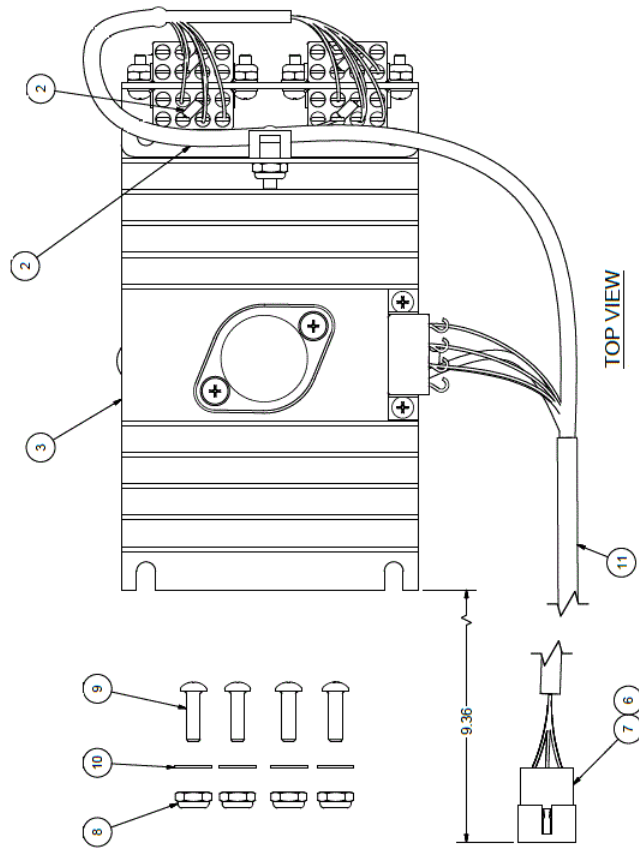
## ANGLE OF ATTACK SYSTEM

**THIS SYSTEM IS NO LONGER INCLUDED IN FIRE BOSS PRODUCTION MODELS. PARTS AVAILABILITY IS SUBJECT TO REMAINING STOCK. PLEASE CALL OUR CUSTOMER SERVICE DEPARTMENT.**



ITEM	QTY	PART NO.	PART DESCRIPTION
1	1	1002204	ASSEMBLY PROBE VANE (SPECIFY COLOR)
	1	69-24-004	VANE – POLYMER
	1	69-94-001	SENSOR, VANE (POTENTIOMETER)
2	4	10A12182-002	CLAMP, PROBE ATTACH
	8	AN3-27A	BOLT, AIRFRAME, 10-32 THREAD, 2-1/2" GRIP, 2-29/32" LENGTH
	8	NAS1149F0363P	WASHER, 0.203 ID, 0.063 THK, STEEL
	8	MS21044N3	NUT, LOCKING, REGULAR HEIGHT, 10-32 UNF
3	1	69-21-001	DISPLAY, ANGLE OF ATTACK
	1	69-21-001-W	DISPLAY LEAD 10'
4	1	69-95-002	DIMMER RHEOSTAT
5	1	69-FK	KIT SENSOR POSITION FLAP (NOT SHOWN)
	1	69-23-006	SENSOR, FLAP

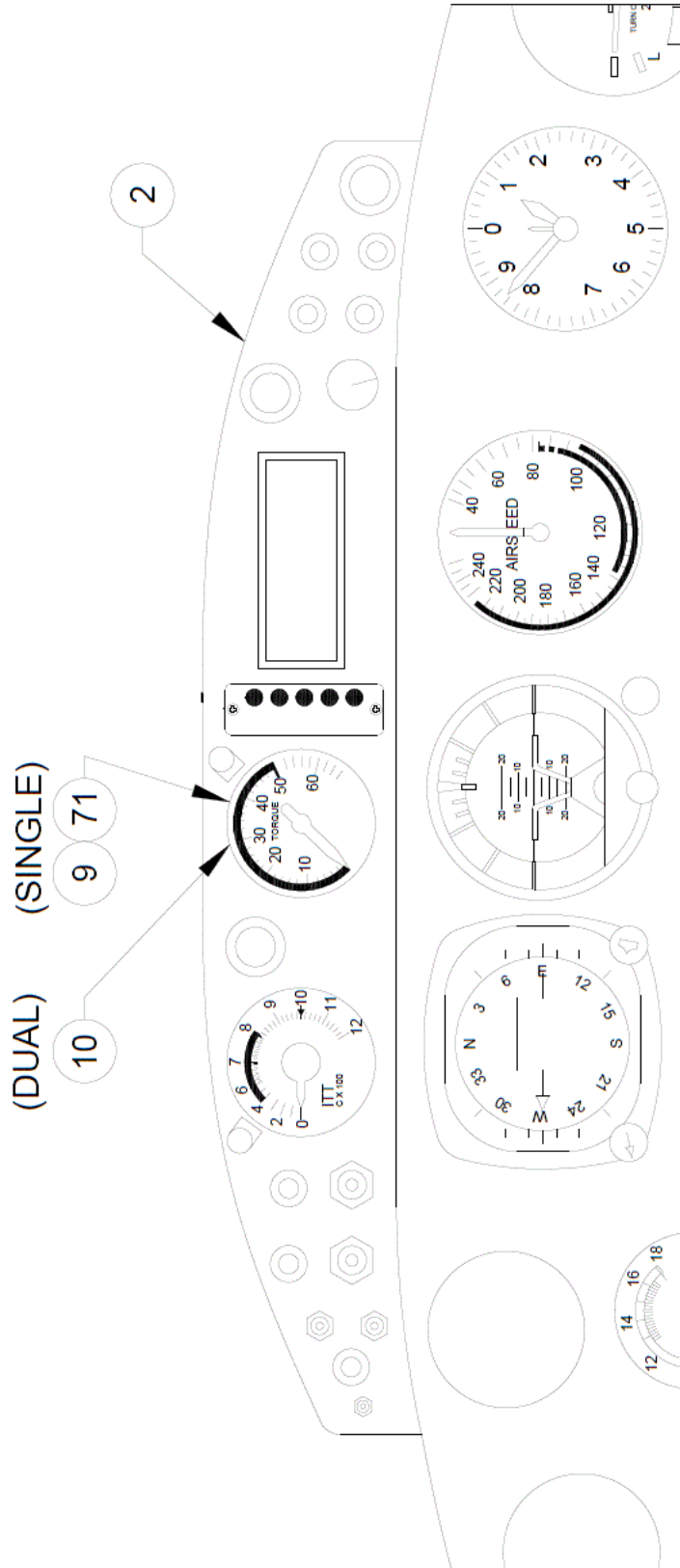
### SCOOP SENSOR LOGIC POSITION



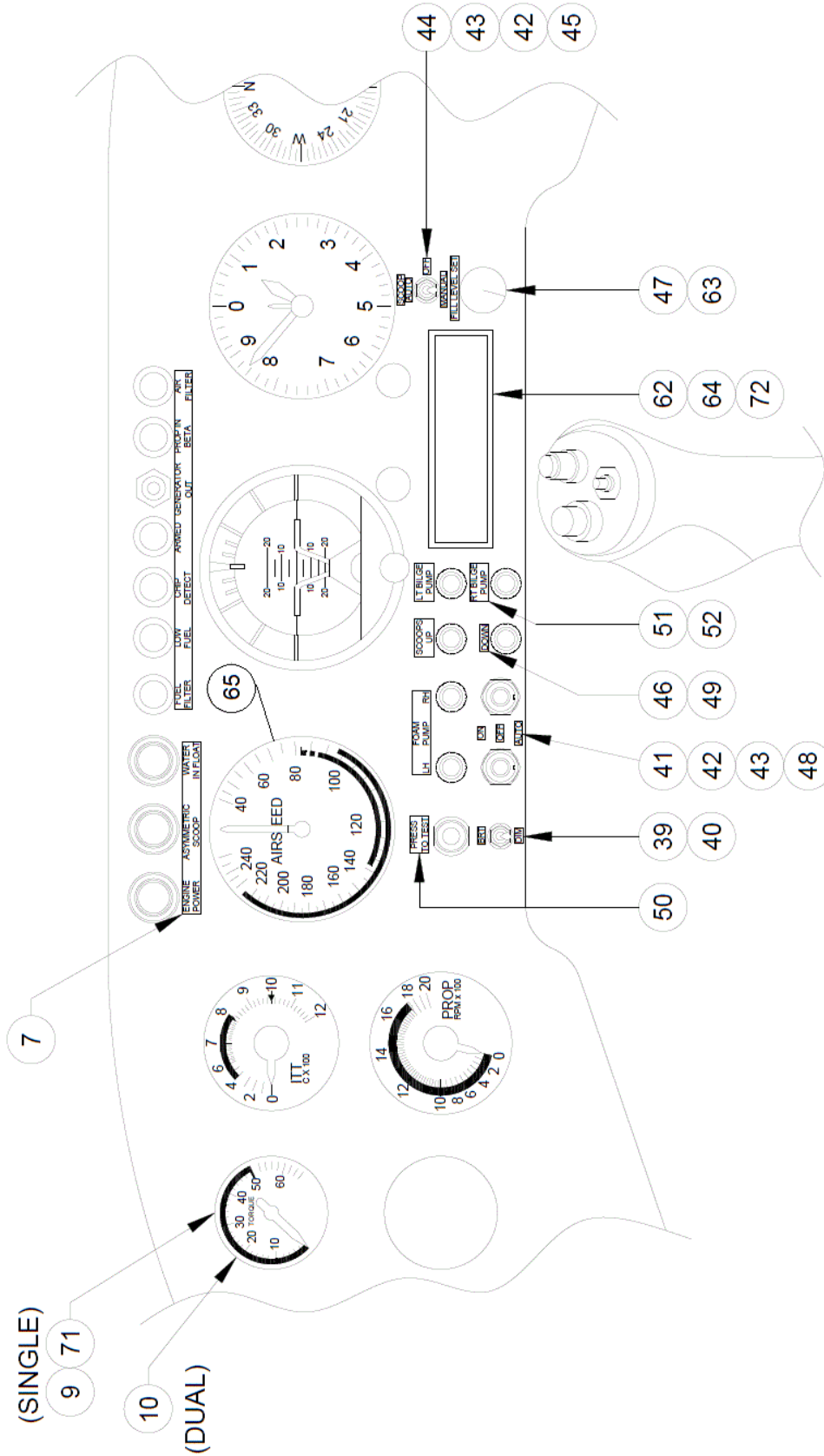
PARTS MANUAL  
 10000 AMPHIBIAN FLOATS ON AT-802 & AT-802A - FIRE BOSS CONVERSION

ITEM	QTY	PART NO.	PART DESCRIPTION
-	1	1001927	ASSEMBLY LOGIC POSITION SCOOP
1	1	01E9319-1	ALUMINUM ELECTROLYTIC CAPACITOR
2	9	09F3604	DIODE
3	1	1002163	ASSEMBLY, HEAT SINK, SCOOP POSITION LOGIC
4	55 FT	22759-16-22-9	WIRE, 22 AWG, WHITE
5	1	291-33K-RC	RESISTOR
6	9	35C4909	CRIMP PIN CONTACT, MALE, 22-18
7	1	38C8715	MULTIPOLE CONNECTOR, MALE 9 PIN
8	4	MS21044N06	NUT, LOCKING, REGULAR HEIGHT, 6-32 UNC
9	4	MS35206-230	SCREW, MACHINE, PAN HEAD
10	4	NAS1149FN616P	WASHER, 0.149 ID, 0.016 THK, STEEL
11	1.5 FT	XPF-3/8	EXPANDABLE SLEEVE, BLACK

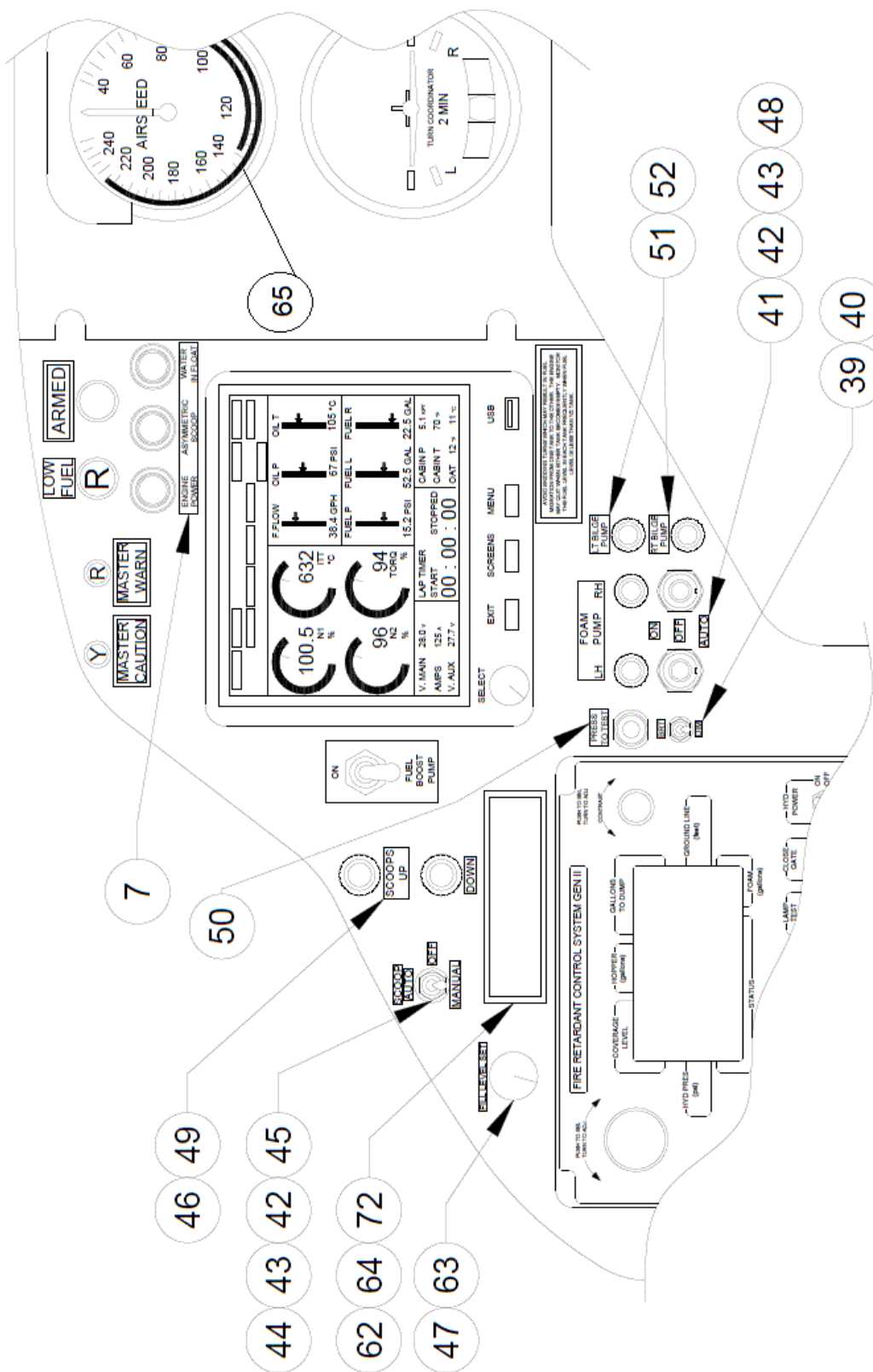
### WATER BOMBER INSTRUMENT PANEL



OPTIONAL AUXILIARY PANEL  
AIR TRACTOR INST. PANEL P/N 51625-3



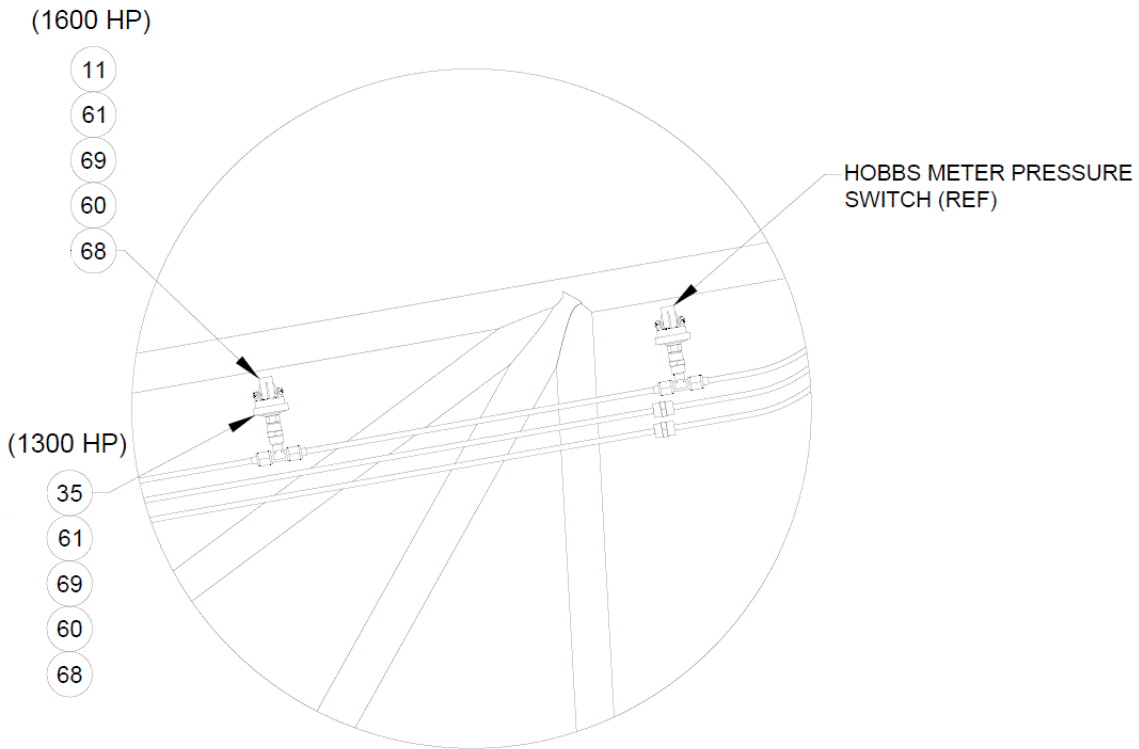
TYPICAL LOCATION FOR ANNUNCIATOR AND SWITCHES (1001925)  
 AIR TRACTOR INST. PANEL P/N 51625-10



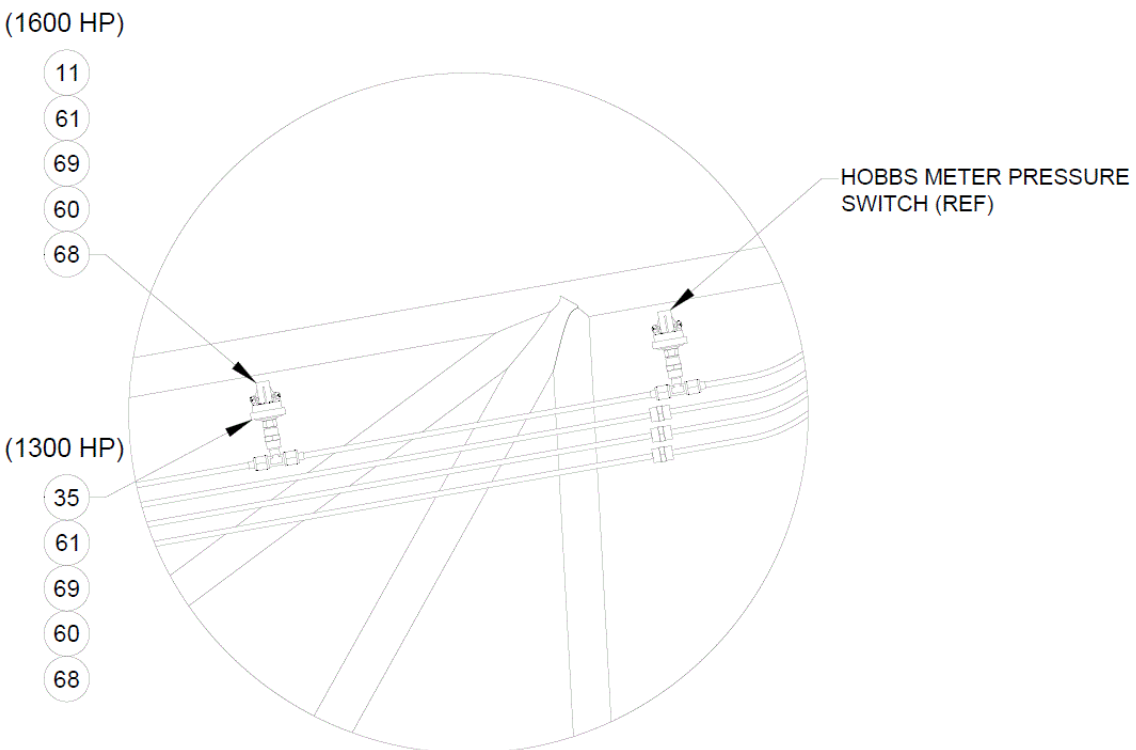
TYPICAL LOCATION FOR ANNUNCIATOR AND SWITCHES (1001925)  
 AIR TRACTOR INST. PANEL P/N 53172





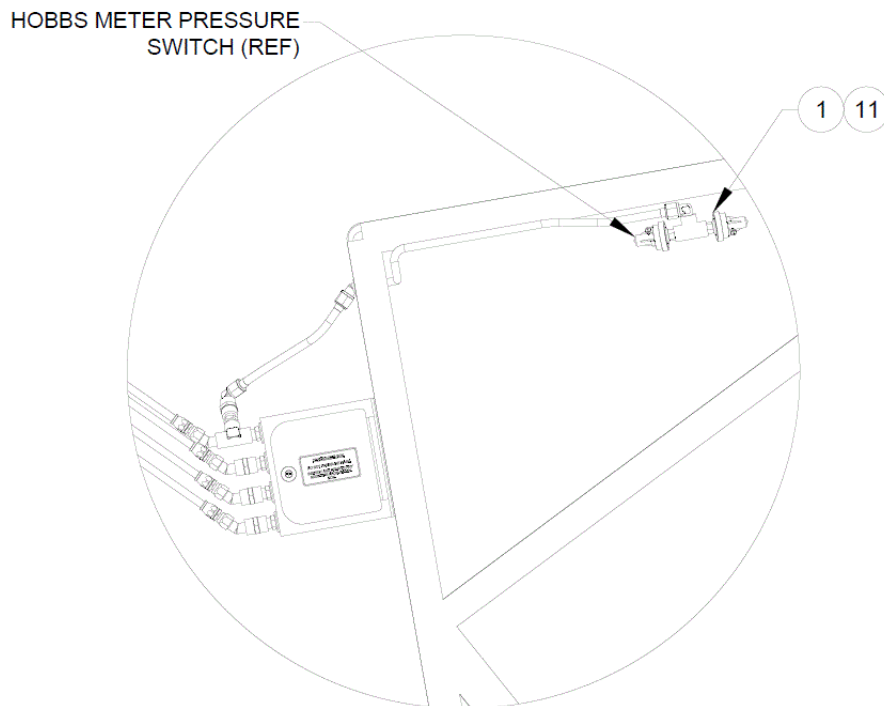


TORQUE PRESSURE SWITCH  
SINGLE PORT TORQUE GAUGE



TORQUE PRESSURE SWITCH  
DUAL PORT TORQUE GAUGE

PARTS MANUAL  
10000 AMPHIBIAN FLOATS ON AT-802 & AT-802A - FIRE BOSS CONVERSION



TORQUE PRESSURE SWITCH  
MVP ENGINE INSTRUMENT SYSTEM

ITEM	QTY	PART NO.	PART DESCRIPTION
1	1	1/8 MMO-S	PARKER - TEE, INTERNAL PIPE THREAD, 1/8 NPT
2	1	1001363	ASSEMBLY, AUXILIARY INSTRUMENT PANEL
3	1	1001436	ASSEMBLY, AUXILIARY CIRCUIT BREAKER
4	1	1001924	MAIN WIRE HARNESS
5	1	1001925	WIRE HARNESS, AUXILIARY INSTRUMENT PANEL
6	1	1001927	ASSEMBLY, SCOOP POSITION LOGIC
7	1	1002181	PLACARD, ENGINE POWER
8	1	1002183	ASSEMBLY, RELAY
9	1	1004813	TORQUE GAUGE, SINGLE PORT
10	1	1008366	TORQUE GAUGE, DUAL PORT
11	1	1008739	PRESSURE SWITCH, OVER TORQUE, 1600 HP
12	1	10A11000-029	WIRE HARNESS, 14 PIN
13	1	10A11000-030	WIRE HARNESS, PUMP
14	2	1-480702-0	PLUG HOUSING, 4 POSITION
15	2	1-480703-0	PLUG AND SOCKET HOUSING, 4 POSITION
16	10	205090-1	CRIMP SOCKET, 24-20G, FEMALE
17	2	206708-1	9 PIN CPC CONNECTOR
18	2	206966-7	CPC CABLE CLAMP, SIZE 13
19	10 FT	22759-16-20-9	WIRE, 20 AWG, WHITE
20	1	26C1308	HOUSING, MOLEX, 3 PIN

PARTS MANUAL  
10000 AMPHIBIAN FLOATS ON AT-802 & AT-802A - FIRE BOSS CONVERSION

ITEM	QTY	PART NO.	PART DESCRIPTION
21	3	26C1313	HOUSING, MOLEX, 2 PIN
22	3	26C1314	PLUG, MOLEX 2 PIN FEMALE
23	2	31890	TERMINAL, RING
24	8	350689-1	CRIMP SOCKET
25	8	350690-1	CRIMP PIN
26	6	36154	TERMINAL, RING
27	10	36160	TERMINAL, RING
28	20	35C4908	CRIMP PIN CONTACT, FEMALE
29	10	35C4909	CRIMP PIN CONTACT, MALE
30	1	38C8706	HOUSING, MOLEX, 1 PIN
31	1	38C8715	9 PIN MOLEX CONNECTOR
32	1	5073918-1431-600	LAMP, RED, 28V
33	1	5073918-1432-600	LAMP, GREEN, 28V
34	1	5073918-1434-600	LAMP, BLUE, 28V
35	1	61233-1	PRESSURE SWITCH, OVER TORQUE, 1350 HP
36	10	66101-4	CRIMP SOCKET
37	20	66105-4	CRIMP SOCKET
38	1	68X4	BRASS FITTING (AIRTRACTOR)
39	1	7B3-4400-1	PLACARD, BRIGHT
40	1	7B3-4400-2	PLACARD, DIM
41	1	7B3-4400-3	PLACARD, ON
42	3	7B3-4400-4	PLACARD, OFF
43	2	7B3-4400-6	PLACARD, AUTO
44	1	7B3-4400-7	PLACARD, SCOOPS
45	1	7B3-4400-8	PLACARD, MANUAL
46	1	7B3-4400-9	PLACARD, DOWN
47	1	7B3-4400-13	PLACARD, FILL LEVEL
48	1	7B3-4400-14	PLACARD, FOAM PUMP
49	1	7B3-4400-16	PLACARD, SCOOPS UP
50	1	7B3-4400-17	PLACARD, PRESS TO TEST
51	1	7B3-4400-22	PLACARD, BILGE PUMP LT
52	1	7B3-4400-23	PLACARD, BILGE PUMP RT
53	1	96B7033	PLUG, MOLEX, 9 POSITION
54	10 FT	97358	SPLIT LOOM, 1/4", BLACK
55	10 FT	97359	SPLIT LOOM, 3/8", BLACK
56	10 FT	97361	SPLIT LOOM, 1/2", BLACK
57	10 FT	97363	SPLIT LOOM, 3/4", BLACK
58	4	AAP-43	POP RIVET
59	8	AN526-832R8	SCREW
60	2	AN818-4D	NUT, TUBE COUPLING
61	1	AN910-1D	COUPLING, PIPE THREAD

PARTS MANUAL  
 10000 AMPHIBIAN FLOATS ON AT-802 & AT-802A - FIRE BOSS CONVERSION

ITEM	QTY	PART NO.	PART DESCRIPTION
62	1	C312-0001	DIGITAL READ OUT, FILL SYSTEM
63	1	C312-0002	CABLE, FILL SYSTEM
64	1	C312-0003	CABLE, FILL SYSTEM
65	1	1004885	AIRSPEED INDICATOR AT-802 ONLY
	1	EA5175-22	AIRSPEED INDICATOR AT-802A ONLY
66	5 FT	HS105-1/4-0	HEAT SHRINK, BLACK
67	5 FT	HS105-3/16-0	HEAT SHRINK, BLACK
68	2	MS20819-4D	SLEEVE, FLARED TUBE FITTING
69	1	MS20825-4D	TEE, PIPE TO TUBE
70	8	MS21044N08	NUT, LOCKING NYLON INSERT
71	1	MS28042-1A	CLAMP
72	4	MS35214-25	BRASS SCREW
73	8	NAS1149FN832P	WASHER
74	100	PLT1M-M0	ZIP TIES, SMALL
75	100	PLT3S-M0	ZIP TIES, MEDIUM
76	1	PRD60	RECORDER, DIGITAL ORAL AURAL
77	10	R-3	TERMINAL RING, # 6 STUD
78	10	R-5	TERMINAL RING, # 10 STUD
79	4	S1021A8-10	SCREW
80	1	S1139-1	TEE FITTING
81	4	S2034-1	MOUNT
82	200	T18L	ZIP TIES, 8"
83	4	T-8	CABLE TIE MOUNT
84	8	Y-2	RING CONNECTOR, # 6 STUD
85	8	Y-3	RING CONNECTOR, # 8 STUD
86	8	Y-4	RING CONNECTOR, # 10 STUD
87	2	Y-6	RING CONNECTOR, 5/16 STUD

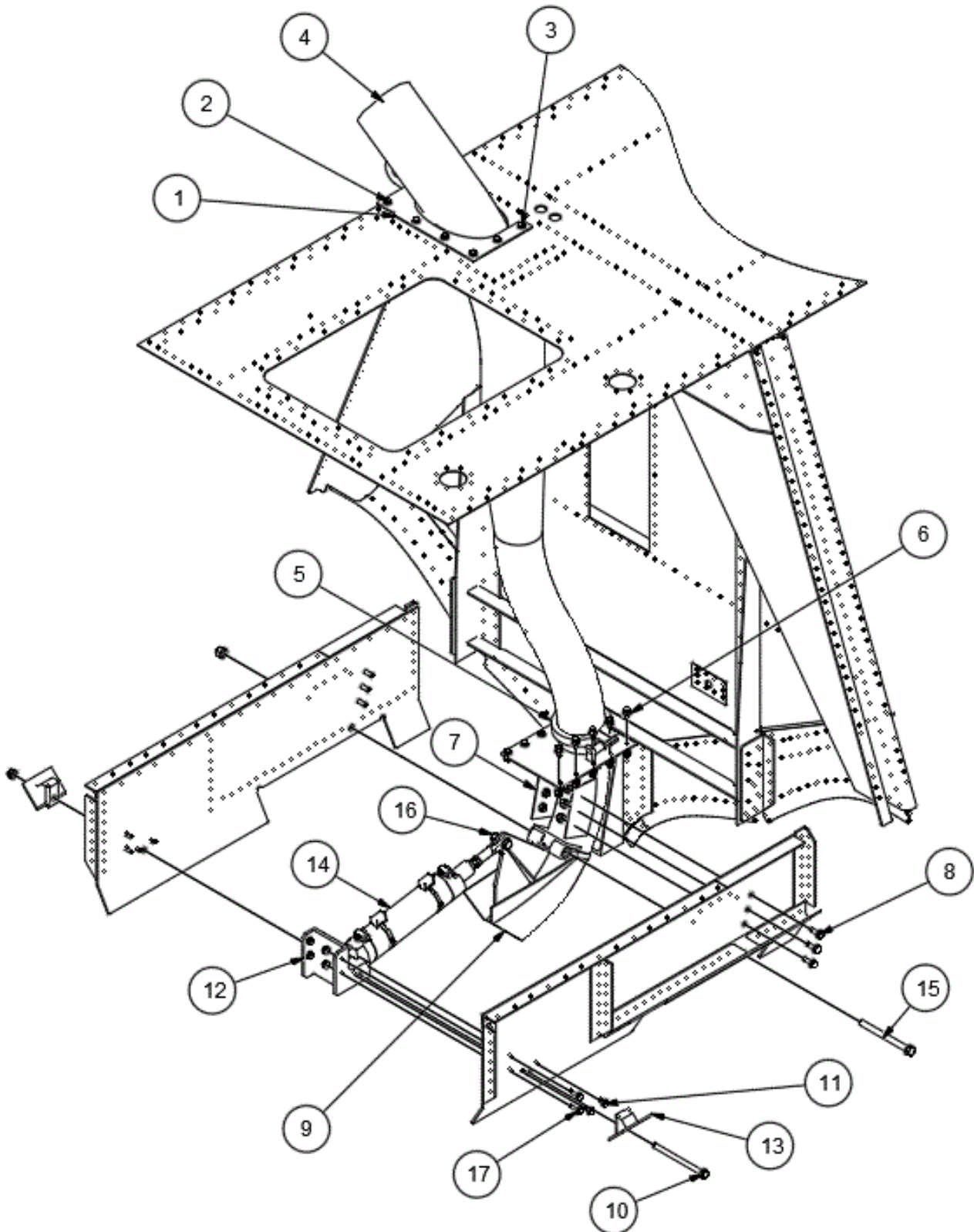
THIS PAGE INTENTIONALLY LEFT BLANK

## SECTION 6 SCOOP SYSTEM

### CONTENTS

SCOOP SYSTEM .....	188
PROBE JACK CYLINDER ASSEMBLY .....	190
SCOOP TUNNEL .....	192
HOPPER VENT SYSTEM .....	194
FILL SYSTEM FUSELAGE .....	199
FILL VALVE ASSEMBLY .....	203

### SCOOP SYSTEM



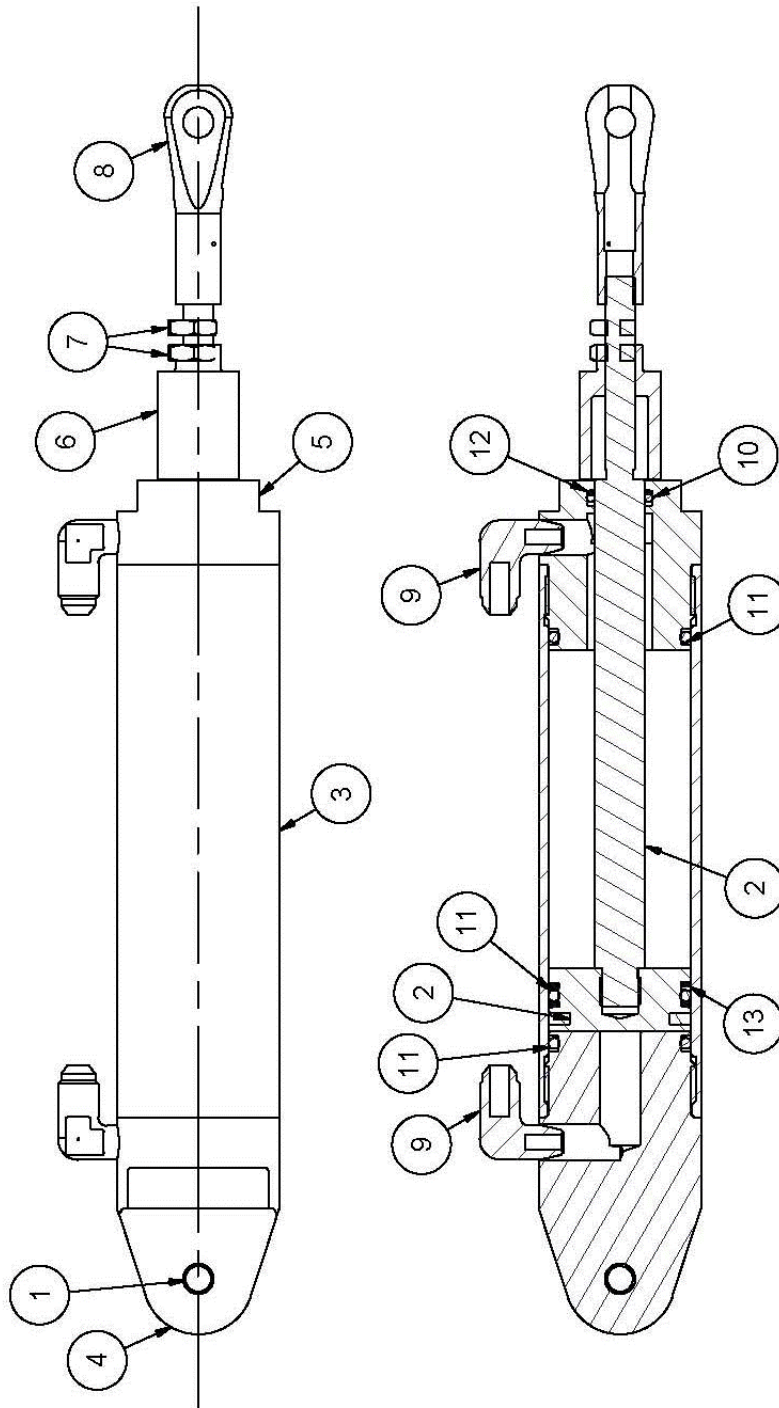


## PARTS MANUAL

## 10000 AMPHIBIAN FLOATS ON AT-802 &amp; AT-802A - FIRE BOSS CONVERSION

ITEM	QTY	PART NO.	PART DESCRIPTION
1 LT.	1	10A01592-005	FLANGE, FLOAT DECK, SCOOP TUBE, LEFT
1 RT.	1	10A01592-004	FLANGE, FLOAT DECK, SCOOP TUBE, RIGHT
2	3	AN3-6A	BOLT, 10-32, 0.375 GRIP, UNDRILLED, STEEL
	6	NAS1149F0363P	WASHER, 0.203 ID, 0.063 THK, STEEL
	3	MS21044N3	NUT, LOCKING, REGULAR HEIGHT, 10-32 UNF
3	5	AN3-5A	BOLT, 10-32, 0.25 GRIP, UNDRILLED, STEEL
	10	NAS1149F0363P	WASHER, 0.203 ID, 0.063 THK, STEEL
	5	MS21044N3	NUT, LOCKING, REGULAR HEIGHT, 10-32 UNF
4 LT.	1	10A01000-453	ASSEMBLY, SCOOP TUBE & FLANGE, LEFT HAND
4 RT.	1	10A01000-452	ASSEMBLY, SCOOP TUBE, RIGHT
5	1	1001159	CLAMP, WATER TUBE, 10000
	1	7G3.0	GASKET, SCOOP TUBE, ASSEMBLY
6	10	AN3-5A	BOLT, 10-32, 0.25 GRIP, UNDRILLED, STEEL
	20	NAS1149F0363P	WASHER, 0.203 ID, 0.063 THK, STEEL
	10	MS21044N3	NUT, LOCKING, REGULAR HEIGHT, 10-32 UNF
7	1	10A01000-454	ASSEMBLY, SCOOP TUBE, UPPER PROBE
8	6	AN4-6A	BOLT, 1/4-28, 0.3125 GRIP, UNDRILLED, STEEL
	12	NAS1149F0463P	WASHER, 0.265 ID, 0.063 THK, STEEL
	6	MS21044N4	NUT, LOCKING, REGULAR HEIGHT, 1/4-28 UNF
9	1	10A01000-455	ASSEMBLY, SCOOP TUBE, LOWER PROBE
	2	10A01542-001	BUSHING - PIVOT - SCOOP
10	1	AN5-42A	BOLT, 5/16-24, 3.8125 GRIP, UNDRILLED, STEEL
	2	NAS1149F0563P	WASHER, 0.328 ID, 0.063 THK, STEEL
	1	MS21044N5	NUT, HEX LOCKING NYLON INSERT STEEL 5/16-24
11	4	AN3-4A	BOLT, 10-32, 0.125 GRIP, UNDRILLED, STEEL
	4	NAS1149F0363P	WASHER, 0.203 ID, 0.063 THK, STEEL
12	1	10A01031-002	PIVOT BRACKET - PROBE JACK
13	1	10A01198-022	SEAL, BOTTOM BOLT
14	1	10A09000-293	ASSEMBLY, CYLINDER, PROBE JACK
15	1	AN6-41A	BOLT, 3/8-24, 3.5625 GRIP, UNDRILLED, STEEL
	2	NAS1149F0663P	WASHER, 0.39 ID, 0.063 THK, STEEL
	1	MS21044N6	NUT, LOCKING, REGULAR HEIGHT, 3/8-24 UNF
16	1	AN6-11A	BOLT, 3/8-24, 0.5625 GRIP, UNDRILLED, STEEL
	2	NAS1149F0663P	WASHER, 0.39 ID, 0.063 THK, STEEL
	1	MS21044N6	NUT, LOCKING, REGULAR HEIGHT, 3/8-24 UNF
17	4	AN3-6A	BOLT, 10-32, 0.375 GRIP, UNDRILLED, STEEL
	8	NAS1149F0363P	WASHER, 0.203 ID, 0.063 THK, STEEL
	4	MS21044N3	NUT, LOCKING, REGULAR HEIGHT, 10-32 UNF

### PROBE JACK CYLINDER ASSEMBLY

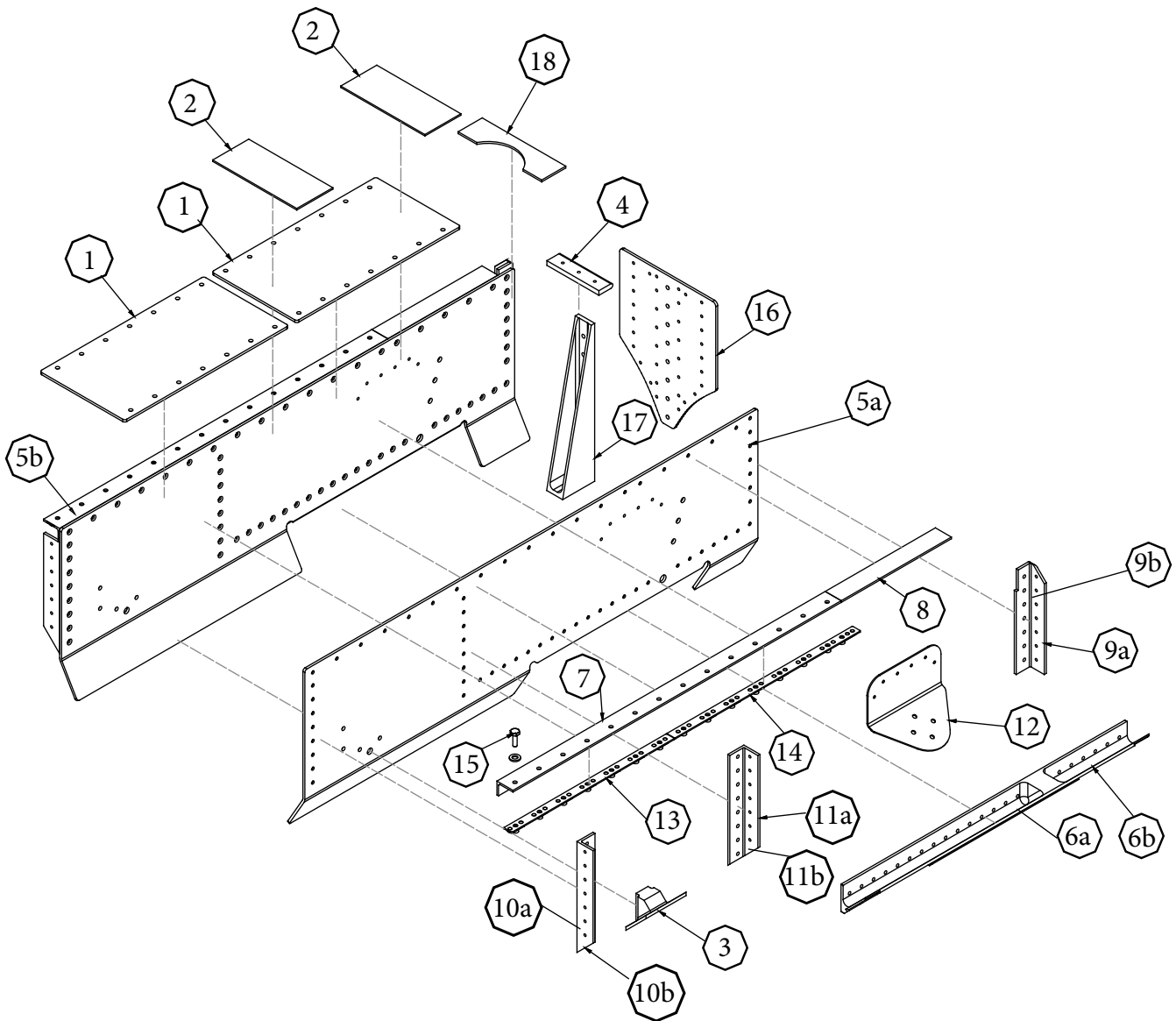


PARTS MANUAL  
 10000 AMPHIBIAN FLOATS ON AT-802 & AT-802A - FIRE BOSS CONVERSION

ITEM	QTY	PART NO.	PART DESCRIPTION
-	1	10A09000-293	PROBE JACK CYLINDER ASSEMBLY
1	1	05DU06	SELF LUBRICATING BUSHINGS
2	1	1011446	ASSY., PISTON ROD, PROBE JACK (10A09000-292 HAS BEEN DISCONTINUED)
3	1	10A09024-002	CYLINDER
4	1	10A09024-003	END PLUG – PROBE JACK
5	1	10A09024-004	FRONT PLUG – PROBE JACK
6	1	10A09261-008	STOP – PROBE JACK
7	2	AN316-6R	NUT
8	1	AN665-80R	TERMINAL, FLY WIRE
9	2	MS20822-5-4D	FITTING 90 DEGREE
10	1	MS28775-114	“O” RING
11	3	MS28775-222	“O” RING, HYDRAULIC
12	1	MS28782-12	BACKUP RING
13	2	MS28782-27	BACKUP RING
14*	1	1001721	ASSY. SCOOP POSITION SWITCH (4 PIN)
	1	KPTC6E8-4S	CONNECTOR (4 PIN)
	1	1002152	ASSY. SCOOP POSITION SWITCH (6 PIN)
	1	KPSE06E10-6S	CONNECTOR (6 PIN) (6 PIN STARTS AT WIPAIRE S/N 10053)
	2	BIM-PST-AN6X KLP80	POSITION SWITCH S/N 10001-10204
	2	M6965106	CLAMP
	2	S4685792	SENSOR, INDUCTIVE MAGNET, NON 10-30 VDC S/N 10205/10206
	1	U0163-11	SPLITTER, 2 BRANCH, 4 WIRE, MALE (S/N 10205A/10206A)

\*ITEMS NOT SHOWN

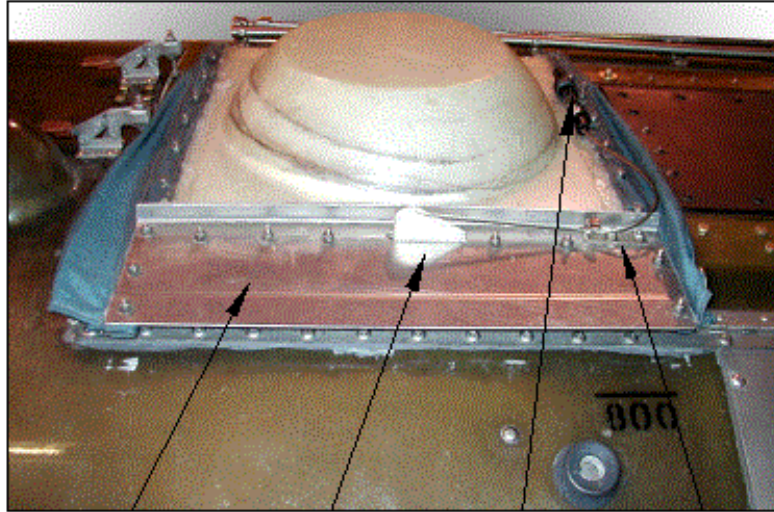
### SCOOP TUNNEL



PARTS MANUAL  
 10000 AMPHIBIAN FLOATS ON AT-802 & AT-802A - FIRE BOSS CONVERSION

ITEM	QTY	PART NO.	PART DESCRIPTION
1	2	10A01001-066	PLATE - TOP COVER - TUNNEL
2	2	10A01155-053	CONNECTOR - PROBE TUNNEL COVER
3	2	10A01198-022	FITTING - SCOOP TUNNEL BOTTOM BOLT SEAL
4	1	10A01205-010	SPACER-SCOOP TUNNEL
5a	1	10A01001-065	PLATE - SIDE COVER - TUNNEL L/H
5b	1	10A01001-064	PLATE - SIDE COVER - TUNNEL R/H
6a	1	10A01198-021	SUPPORT, BOTTOM SKIN (LEFT)
6b	1	10A01198-020	SUPPORT, BOTTOM SKIN (RIGHT)
7	2	10A01359-235	ANGLE - COVER - SCOOP TUNNEL
8	2	10A01359-237	ANGLE - SHORT - COVER - SCOOP TUNNEL
9a	1	10A01427-028	SCOOP TUNNEL AFT. ANGLE (RIGHT)
9b	1	10A01427-029	SCOOP TUNNEL AFT. ANGLE (LEFT)
10a	1	10A01427-030	ANGLE, SCOOP TUNNEL FWD ON L/H SIDE
10b	1	10A01427-031	ANGLE, SCOOP TUNNEL FWD ON R/H SIDE
11a	1	10A01427-031	ANGLE, SCOOP TUNNEL MID ON L/H SIDE
11b	1	10A01427-030	ANGLE, SCOOP TUNNEL MID ON R/H SIDE
12	2	1007498	MOUNT, BILGE, PUMP
13	2	1009722	STRIP, NUTPLATE, 10000
14	2	1009723	STRIP, NUTPLATE, 10000
15	A/R	AN3-5A	BOLT, 10-32, 0.25 GRIP, UNDRILLED, STEEL
16	1	10A01001-236	PLATE - AFT COVER - TUNNEL
17	1	10A01196-005	AFT. MAIN KEEL SUPPORT
18	1	10A01156-186	SPLICE PIVOT

### HOPPER VENT SYSTEM

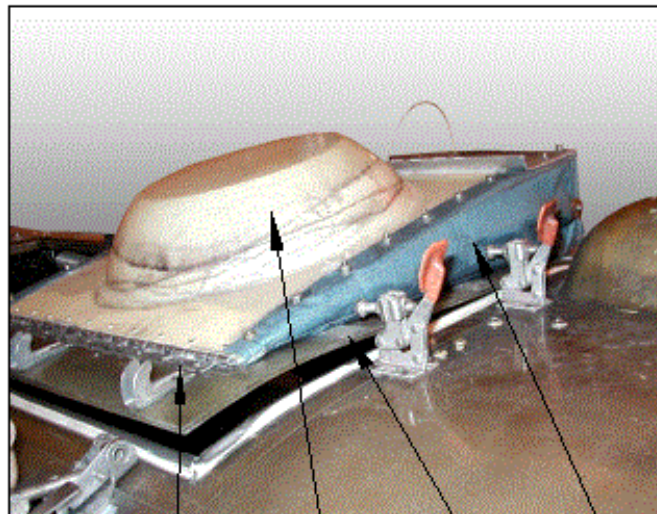


2

3

1

4



6

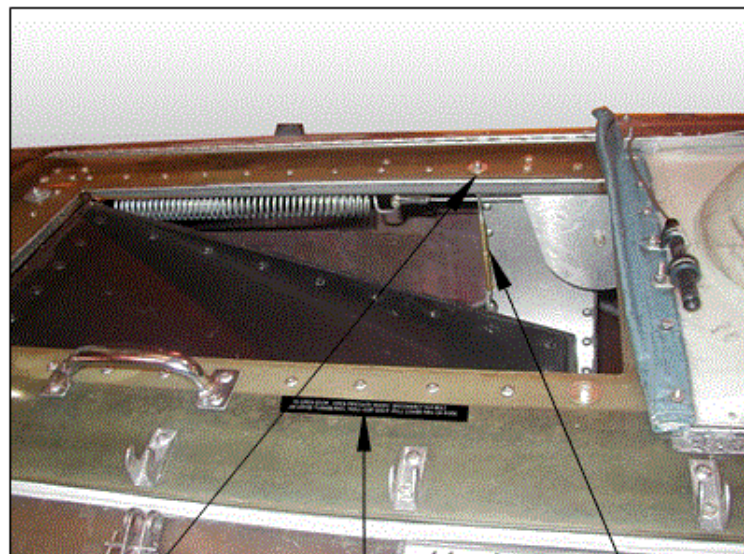
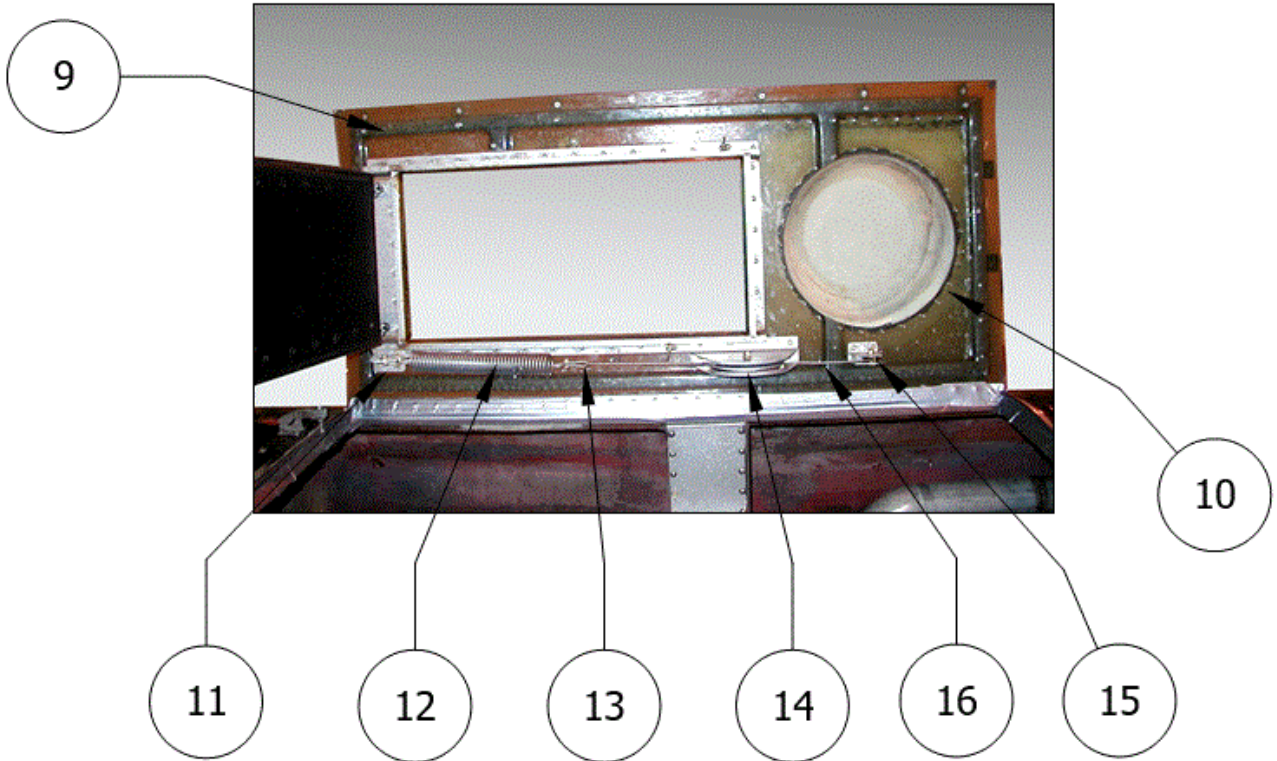
7

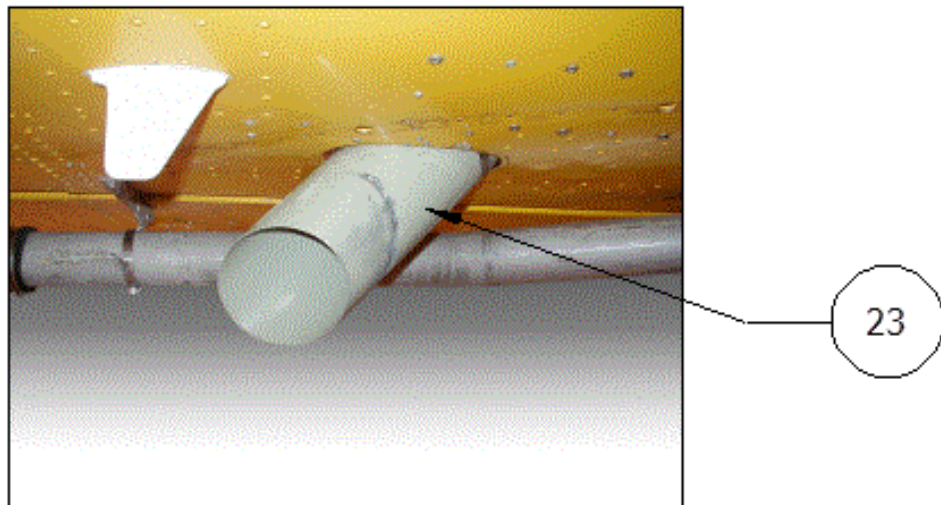
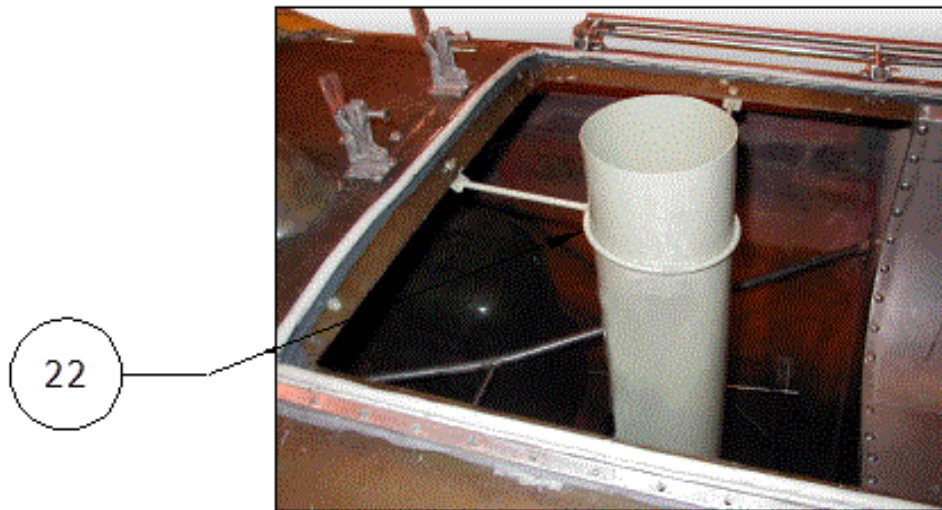
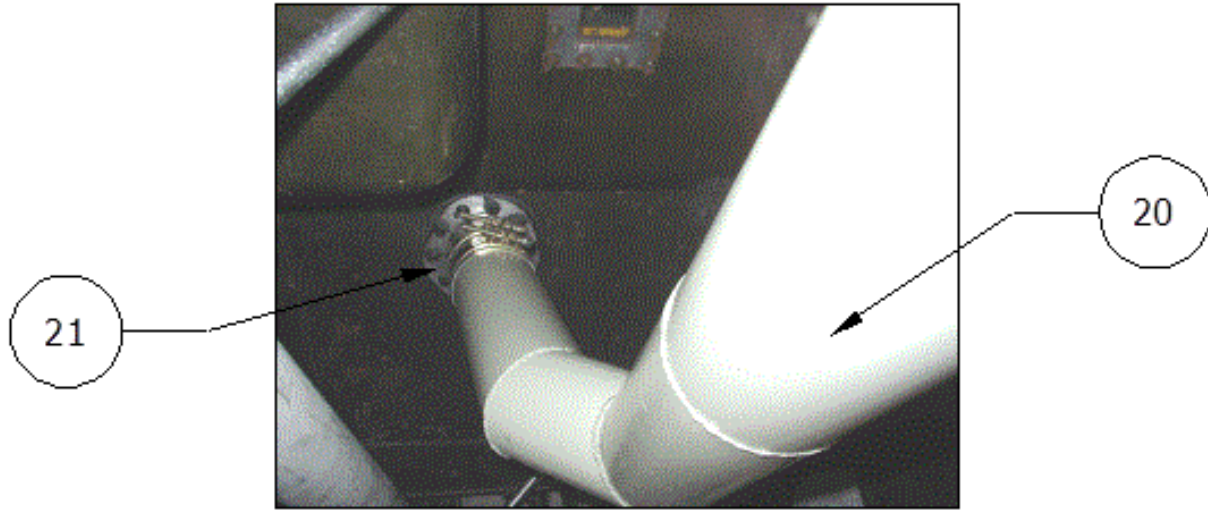
8

5



PARTS MANUAL  
10000 AMPHIBIAN FLOATS ON AT-802 & AT-802A - FIRE BOSS CONVERSION







PARTS MANUAL  
10000 AMPHIBIAN FLOATS ON AT-802 & AT-802A - FIRE BOSS CONVERSION

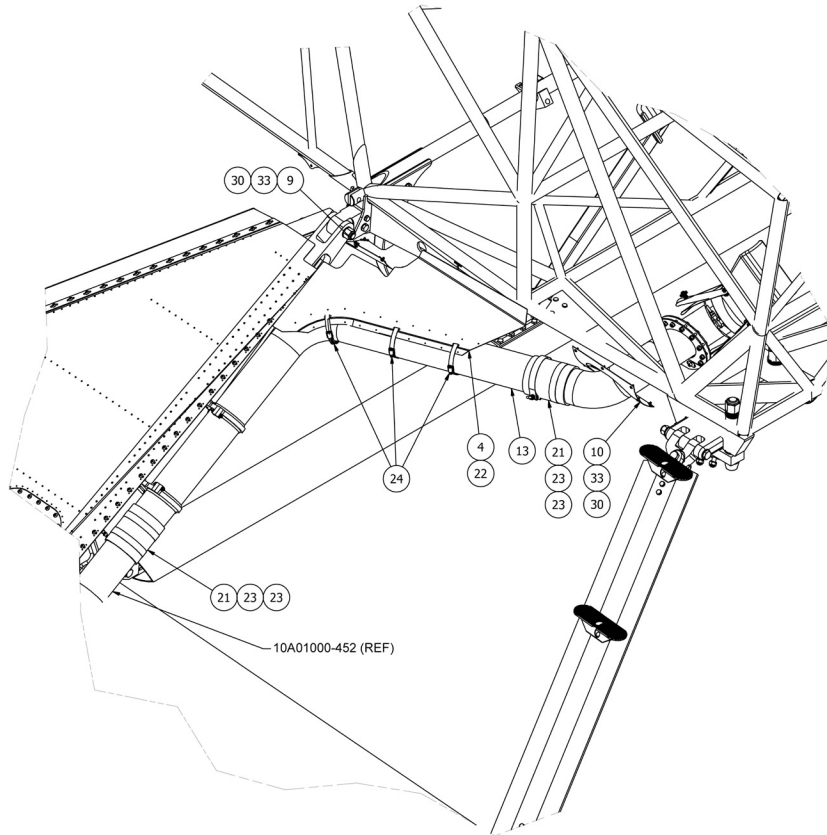
ITEM	QTY	PART NO.	PART DESCRIPTION
1	1	21A08274-007	HANDLE
	2	MS21919WDG9	CLAMP, DIA 9/16", ALUMINUM BAND, CHLOROPRENE CUSHION
2	1	10A12163-121	BRACKET REINFORCEMENT
3	1	10A12652-003	GUIDE, VENT DOOR CABLE
	2	MS24693S48	SCREW, COUNTERSUNK, 8-32 UNC, 0.375 LG
4	1	10A12487-009	RETAINER CLIP
5	2	10A12695-001	WATER DEFLECTOR - OVERFILL VENT
	4	10A12150-200	REINFORCEMENT STRIPS
	40	AN507-1032	SCREW
6	1	10A12745-002	HINGE - DOME VENT
7	1	10A12599-013	VENT DOME
8	4	10A12536-015	PAD, CLAMP
9	1	80533-1	HOPPER LID
	2	80532-5	GASKET - SPONGE
10	1	R581559	SEAL, RUBBER, W/ RUBBER SPIKES, 1 1/2" SPACING, 3/8"DIA
11	1	1011016	ANGLE, SPRING ATTACH
	1	MS20115-5	SHACKLE, 5/32
	3	AN3-6A	BOLT, 10-32, 0.375 GRIP, UNDRILLED, STEEL
	3	NAS1149F0363P	WASHER, 0.203 ID, 0.063 THK, STEEL
	3	MS21044N3	NUT, LOCKING, REGULAR HEIGHT, 10-32 UNF
12	1	81153S	SPRING, CENTERING, 1-1/2" DIA, 6" SPRING LENGTH
13	1	10A12000-064	CABLE ASSEMBLY
14	1	10A12000-060	PULLEY ASSEMBLY
	4	AN3-7A	BOLT, 10-32, 0.5 GRIP, UNDRILLED STEEL
	4	NAS1149F0363P	WASHER, 0.203 ID, 0.063 THK, STEEL
	4	MS21044N3	NUT, LOCKING, REGULAR HEIGHT, 10-32 UNF
15	1	10A12000-061	PULLEY BRACKET ASSEMBLY
	4	AN3-7A	BOLT, 10-32, 0.5 GRIP, UNDRILLED STEEL
	4	NAS1149F0363P	WASHER, 0.203 ID, 0.063 THK, STEEL
	4	MS21044N3	NUT, LOCKING, REGULAR HEIGHT, 10-32 UNF
16	1	10A12000-065	CABLE ASSEMBLY
17	2	10A12523-007	SPACER, HOPPER DOOR RETAIN
	2	MS21252-5RL	TURNBUCKLE FORK, RIGHT LONG, 1/4-28 THREAD, 5/32 CABLE
	2	MS21251B5L	TURNBUCKLE, BARREL, 1/4-28 THREAD, 4" LENGTH
	2	MS21252-5LL	TURNBUCKLE FORK, LEFT LONG, 1/4-28 THREAD, 5/32 CABLE
	2	AN44-6A	EYEBOLT
	2	NAS1149F0563P	WASHER, 0.328 ID, 0.063 THK, STEEL
	2	MS210N44N5	NUT
	4	AN4-7A	BOLT, 1/4-28, 0.4375 GRIP, UNDRILLED, STEEL
	4	NAS1149F0463P	WASHER, 0.265 ID, 0.063 THK, STEEL
	4	MS21044N4	NUT, LOCKING, REGULAR HEIGHT, 1/4-28 UNF

PARTS MANUAL

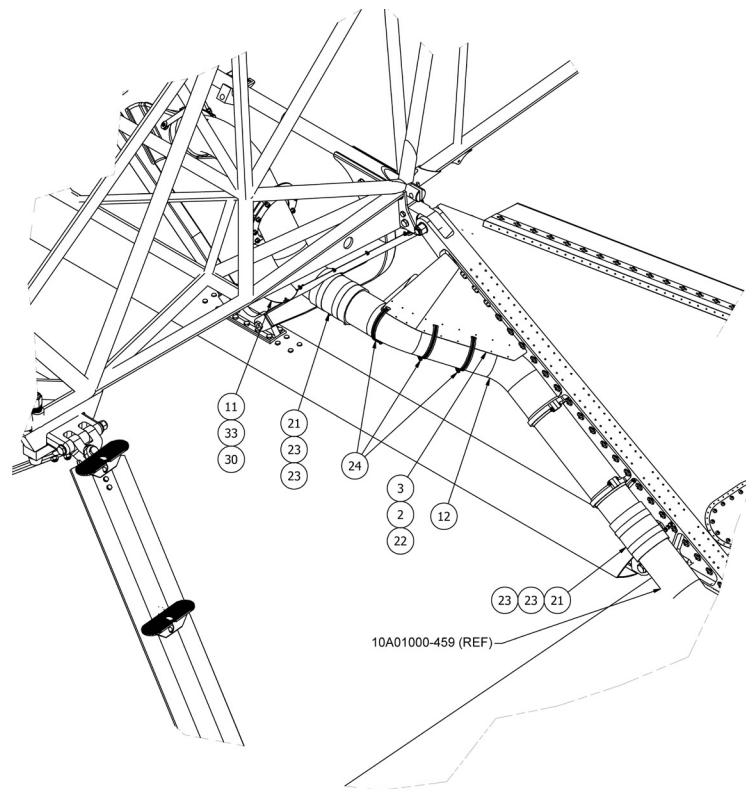
10000 AMPHIBIAN FLOATS ON AT-802 & AT-802A - FIRE BOSS CONVERSION

ITEM	QTY	PART NO.	PART DESCRIPTION
18	1	7A3-4410	PLACARD, FIRE GATE
19	2	AN44-30A	EYEBOLT
	2	AN970-5	WASHER, LARGE AREA FLAT, SIZE 5/16
20	1	10A12666-002	FILL VENT TUBE
	1	10A12696-001	HOSE COUPLING
	1	5312K18	POWER CLAMP
21	1	10A12000-059	FLANGE ASSY – TO TANK
	1	10A12532-008	FLANGE FILLER VENT AFT
	10	AN4-10A	BOLT, 1/4-28, 0.5625 GRIP, UNDRILLED, STEEL
	10	NAS1149F0463P	WASHER, 0.265 ID, 0.063 THK, STEEL
	10	MS21044N4	NUT, LOCKING, REGULAR HEIGHT, 1/4-28 UNF
22	1	10A12000-069	VENT TUBE RETAINER ASSEMBLY
	2	AN525-10R10	SCREW, 10-32 THREAD, 7/32" GRIP, 5/8" LENGTH
	2	NAS1149F0363P	WASHER, 0.203 ID, 0.063 THK, STEEL
	2	MS21044N3	NUT, LOCKING, REGULAR HEIGHT, 10-32 UNF
23	1	10A12666-001	VENT TUBE – TAIL EXHAUST
	1	10A12696-001	HOSE COUPLING 5"
	1	5312K18	HOSE CLAMP, 5-1/2 DIA

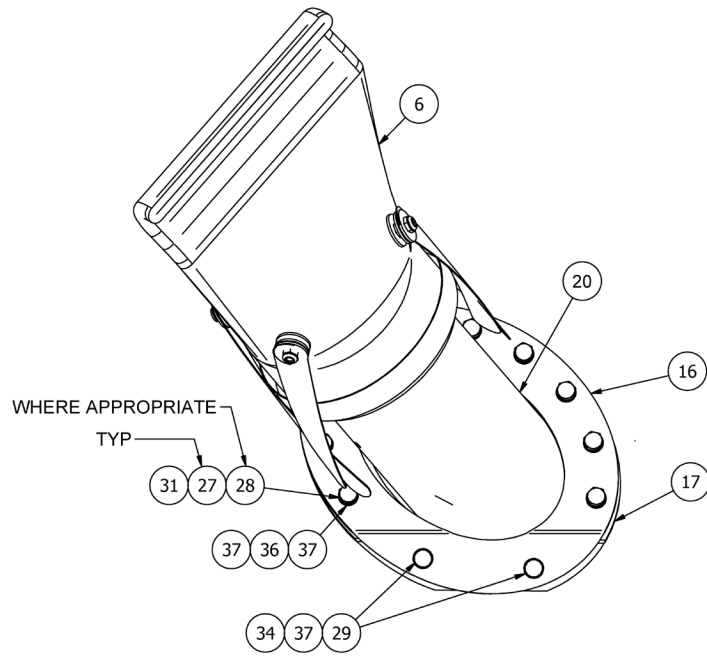
### FILL SYSTEM FUSELAGE



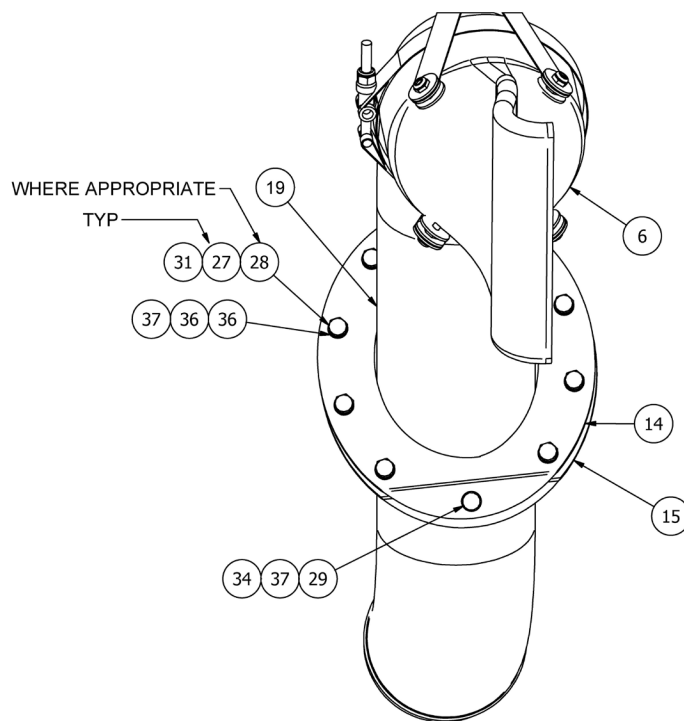
RH SIDE, FORWARD PYLON SKIN REMOVED



LH SIDE, FORWARD PYLON SKIN REMOVED

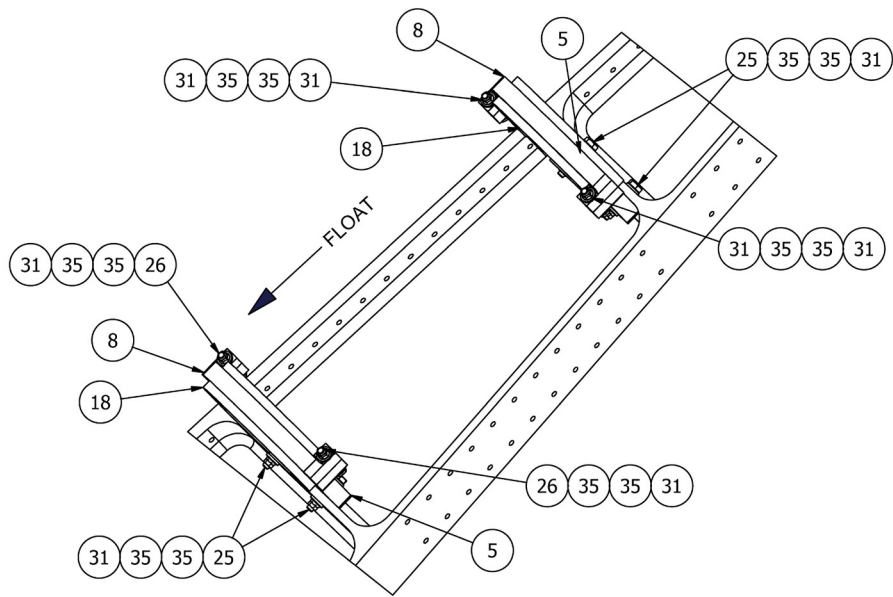


HOPPER, RIGHT SIDE, FWD, LOOKING OUT

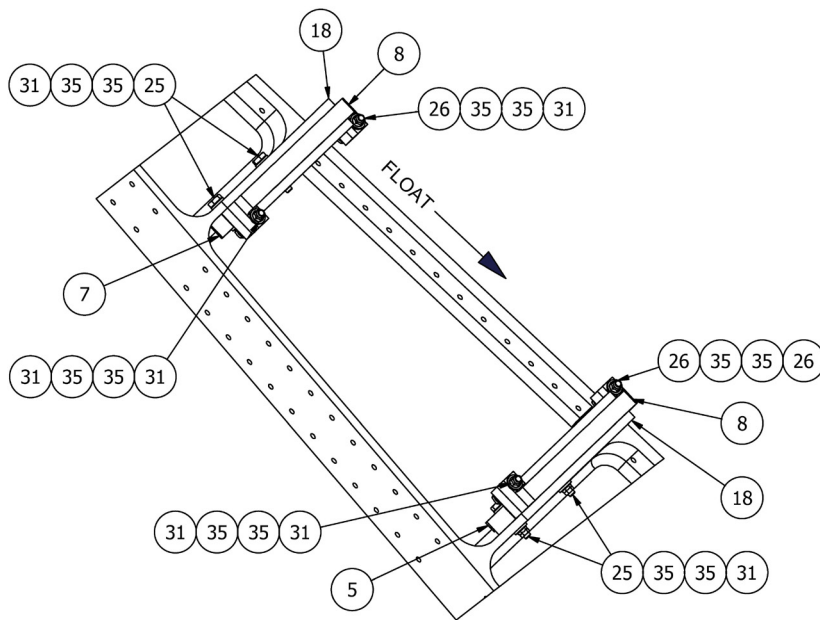


HOPPER, LEFT SIDE, AFT, LOOKING OUT

PARTS MANUAL  
 10000 AMPHIBIAN FLOATS ON AT-802 & AT-802A - FIRE BOSS CONVERSION



PYLON, RIGHT, FWD STRUT, 10A12424-002 TUBE REMOVED

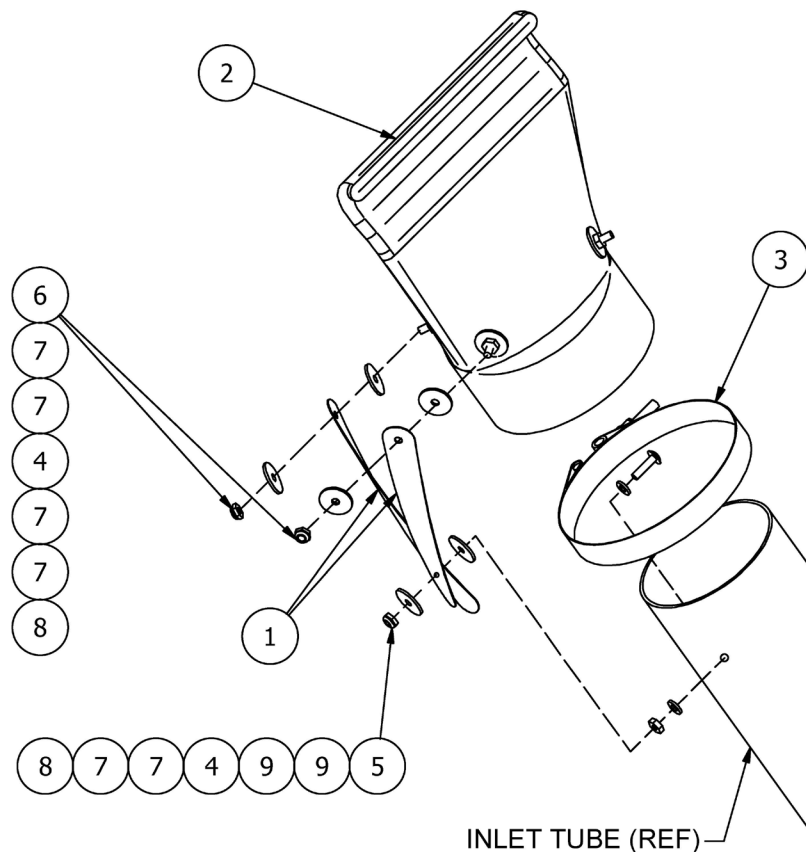


PYLON, LEFT, FWD STRUT, 10A12424-001 TUBE REMOVED

PARTS MANUAL  
10000 AMPHIBIAN FLOATS ON AT-802 & AT-802A - FIRE BOSS CONVERSION

ITEM	QTY	PART NO.	PART DESCRIPTION
1	2	1001020	EPOXY ADHESIVE PACKET
2	1	1003495	FAIRING - LEFT SIDE BOTTOM
3	1	1003496	FAIRING LEFT SIDE TOP
4	1	1003532	ASS'Y, AT802 - RH FAIRING
5	3	1009117	MOUNT - SCOOP TUBE - LOWER PYLON
6	2	1012077	ASSEMBLY, VALVE WITH STRAP HARDWARE
7	1	10A02201-004	MOUNT - SCOOP TUBE - PYLON
8	4	10A02201-005	MOUNT - SCOPE TUBE - PYLON
9	1	10A12158-275	COVER, MAIN ATTACH FITTING, RT, AT802
10	1	10A12158-276	COVER, FILL TUBE RH
11	1	10A12158-277	COVER, MAIN ATTACH FITTING, LT, AT802
12	1	10A12424-001	TUBE, FLOAT TO TANK, LH
13	1	10A12424-002	TUBE, STRUT TO TANK, RH
14	1	10A12532-003	FLANGE - INLET TUBE, LH
15	1	10A12532-004	FLANGE - OUTER, INLET TUBE, LH SIDE
16	1	10A12532-005	FLANGE - INNER - LH SIDE - INLET TUBE
17	1	10A12532-006	FLANGE - OUTER, RH, INLET TUBE
18	4	10A12566-010	GASKET, FILL TUBE
19	1	10A12594-001	TUBE, INLET, LH
20	1	10A12594-002	TUBE, INLET, RH
21	4	10A12697-001	HOSE COUPLING - 4"
22	10 FT	52-4652-W	TRIM, SNAP ON
23	8	5312K16	CLAMP
24	6	5764	CLAMP, HOSE
25	8	AN3-11A	BOLT, 10-32, 0.75 GRIP, UNDRILLED, STEEL
26	8	AN3-12A	BOLT, 10-32, 0.875 GRIP, UNDRILLED, STEEL
27	4	AN4-10A	BOLT, 1/4-28, 0.5625 GRIP, UNDRILLED, STEEL
28	16	AN4-11A	BOLT, 1/4-28, 0.6875 GRIP, UNDRILLED, STEEL
29	3	AN4-7A	BOLT, 1/4-28, 0.4375 GRIP, UNDRILLED, STEEL
30	28	AN526C632R6	SCREW, MACHINE, TRUSS HEAD
31	16	MS21042L3	NUT, SELF LOCKING, 450 DEGREE, 10-32 UNF
32	19	MS21044N4	NUT, LOCKING, REGULAR HEIGHT, 1/4-28 UNF
33	28	MS21047L06	NUT PLATE, FIXED, STEEL, PLAIN, 6-32
34	3	MS21059L4	NUT PLATE
35	32	NAS1149F0363P	WASHER, 0.203 ID, 0.063 THK, STEEL
36	22	NAS1149F0432P	WASHER, 0.265 ID, 0.032 THK, STEEL
37	44	NAS1149F0463P	WASHER, 0.265 ID, 0.063 THK, STEEL
38	6 FT	PM-T1	CHAFE TAPE

### FILL VALVE ASSEMBLY



ONE SIDE SHOWN FOR CLARITY  
 (4 STRAPS PER TUBE,  
 8 STRAPS TOTAL PER AIRCRAFT)

ITEM	QTY	PART NO.	PART DESCRIPTION
-	1	1012077	ASSEMBLY, VALVE WITH STRAP HARDWARE
1	4	1011964	STRAP, VALVE, SST
2	1	1012076	VALVE, 4" I.D., CURLED
3	1	5312K17	CLAMP
4	6	AN315-C3R	NUT
5	2	AN526C1032R12	SCREW, MACHINE, TRUSS HEAD
6	4	AN526C1032R22	SCREW, MACHINE, TRUSS HEAD
7	20	AN970C3	WASHER
8	6	MS21083C3	NUT, LOCKING, LOW HEIGHT, 10-32 UNF, SS
9	4	NAS1149C0363R	WASHER, 0.203 ID, 0.063 THK, STAINLESS STEEL

THIS PAGE INTENTIONALLY LEFT BLANK

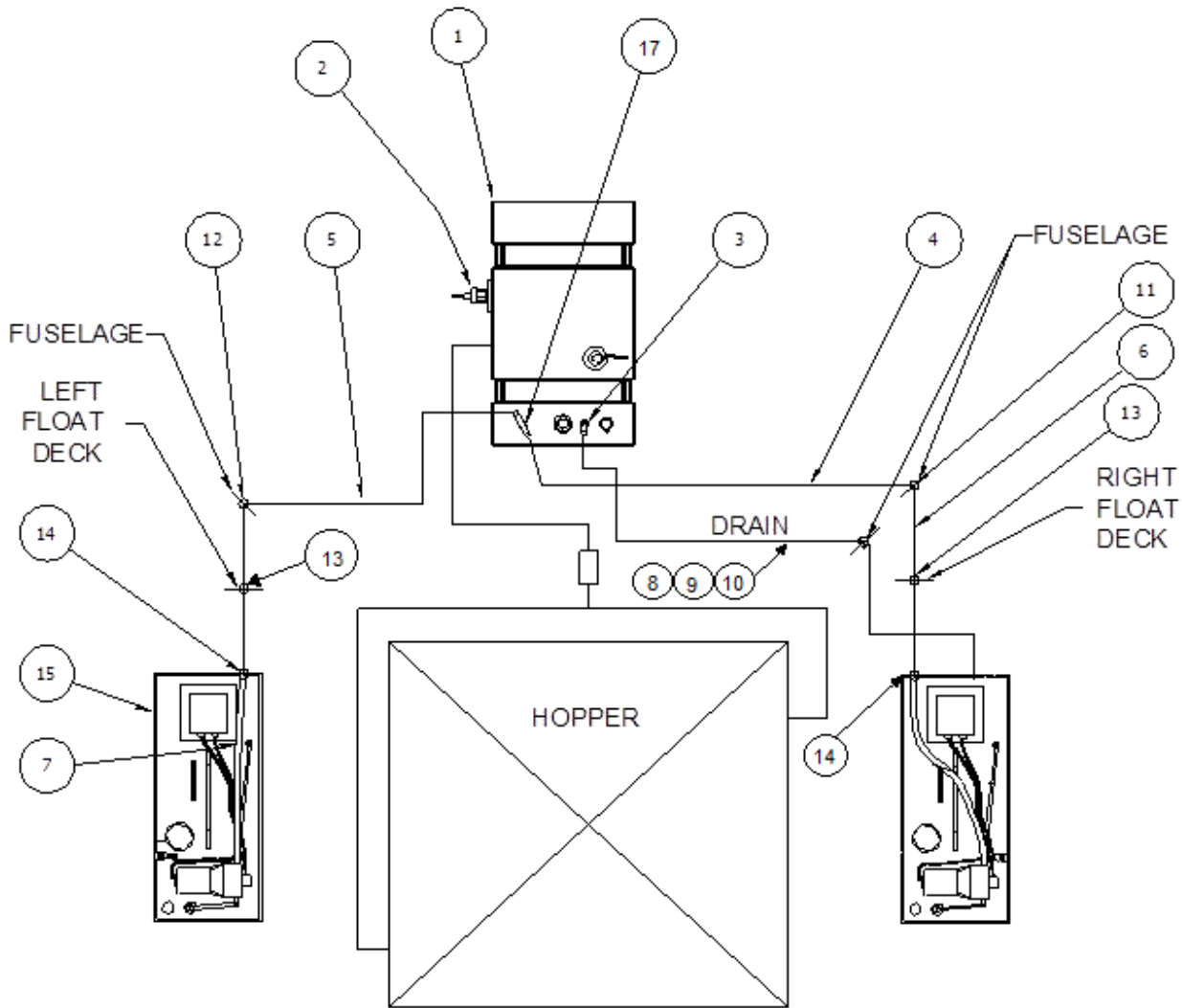


# SECTION 7 FOAM SYSTEM

## CONTENTS

FOAM SYSTEM .....206

### FOAM SYSTEM



ITEM	QTY	PART NO.	PART DESCRIPTION
1	1	1001906	AIRCRAFT FOAM TANK MODIFIED
2	1	10A12652-001	ADAPTER, FOAM TANK
	1	MS28775-334	O RING, DIA 2.6
	8	MS24693C278	SCREW, CORROSION RESIST 10-32 THREAD, 1-1/4" LENGTH
	8	MS21044C3	NUT, SELF LOCK, NYLON INSERT, CORROSION RESIST, 10-32
	1	46235K25	LEVEL INDICATOR, FLOAT SWITCH
3	1	48725642	TUBE, BARBED, ELBOW, 90 DEGREE 1/2 X 3/8
4	6.5'	60703	TUBING, RIGHT SIDE TANK OUTLET
5	8.5'	60703	TUBING, LEFT SIDE TANK OUTLET
6	10.8'	60703	TUBING, FUSELAGE TO FLOAT TANK
7	3.17'	60703	TUBING, PUMP TO FLOAT BULKHEAD

## PARTS MANUAL

## 10000 AMPHIBIAN FLOATS ON AT-802 &amp; AT-802A - FIRE BOSS CONVERSION

ITEM	QTY	PART NO.	PART DESCRIPTION
8	1	10A12417-003	DRAIN TUBE, FOAM TANK (OPTION)
9	1	10A12163-128	STAND OFF - FOAM BREATHER LOWER (OPTION)
	1	MS21919WDG8	CLAMP
	1	AN3-4A	BOLT, 10-32, 0.125 GRIP, UNDRILLED, STEEL
	1	NAS1149F0363P	WASHER, 0.203 ID, 0.063 THK, STEEL
	1	MS21044N3	NUT, LOCKING, REGULAR HEIGHT, 10-32 UNF
10	1	10A12163-129	STAND OFF , FOAM BREATHER UPPER (OPTION)
	1	MS21919WDG8	CLAMP
	1	AN3-4A	BOLT, 10-32, 0.125 GRIP, UNDRILLED, STEEL
	1	NAS1149F0363P	WASHER, 0.203 ID, 0.063 THK, STEEL
	1	MS21044N3	NUT, LOCKING, REGULAR HEIGHT, 10-32 UNF
11	1	5372K373	FITTING, ELBOW, BARBED, NYLON 1/2"
	1	MS35489-14	GROMMET, RUBBER
	2	6203	HOSE CLAMP
12	1	5372K373	FITTING, ELBOW, BARBED, NYLON 1/2"
	1	MS35489-14	GROMMET, RUBBER
	2	6203	HOSE CLAMP
13	2	MS35489-20	GROMMET, RUBBER
14	2	10A12277-003	COUPLER FOAM TANK
	4	5372K124	PIPE MALE ADAPTER, WHITE NYLON
15	1	1001798	ASSEMBLY FOAM TANK
	1	0210211C	FOAM TANK, 10000 FLOATS
	1	RH2B-UDC24V	RELAY, 2 POLE
	1	SH2B-05	SOCKET, RELAY, 2 POLE
	1	4405-343	PUMP - 24 VOLT
	1	10-782-PP	SWITCH, FLOAT
	1	10A01000-451	FLOOR, BAGGAGE (NOT SHOWN)
17	1	48726202	TUBE, BARBED, TEE FITTING 1/2

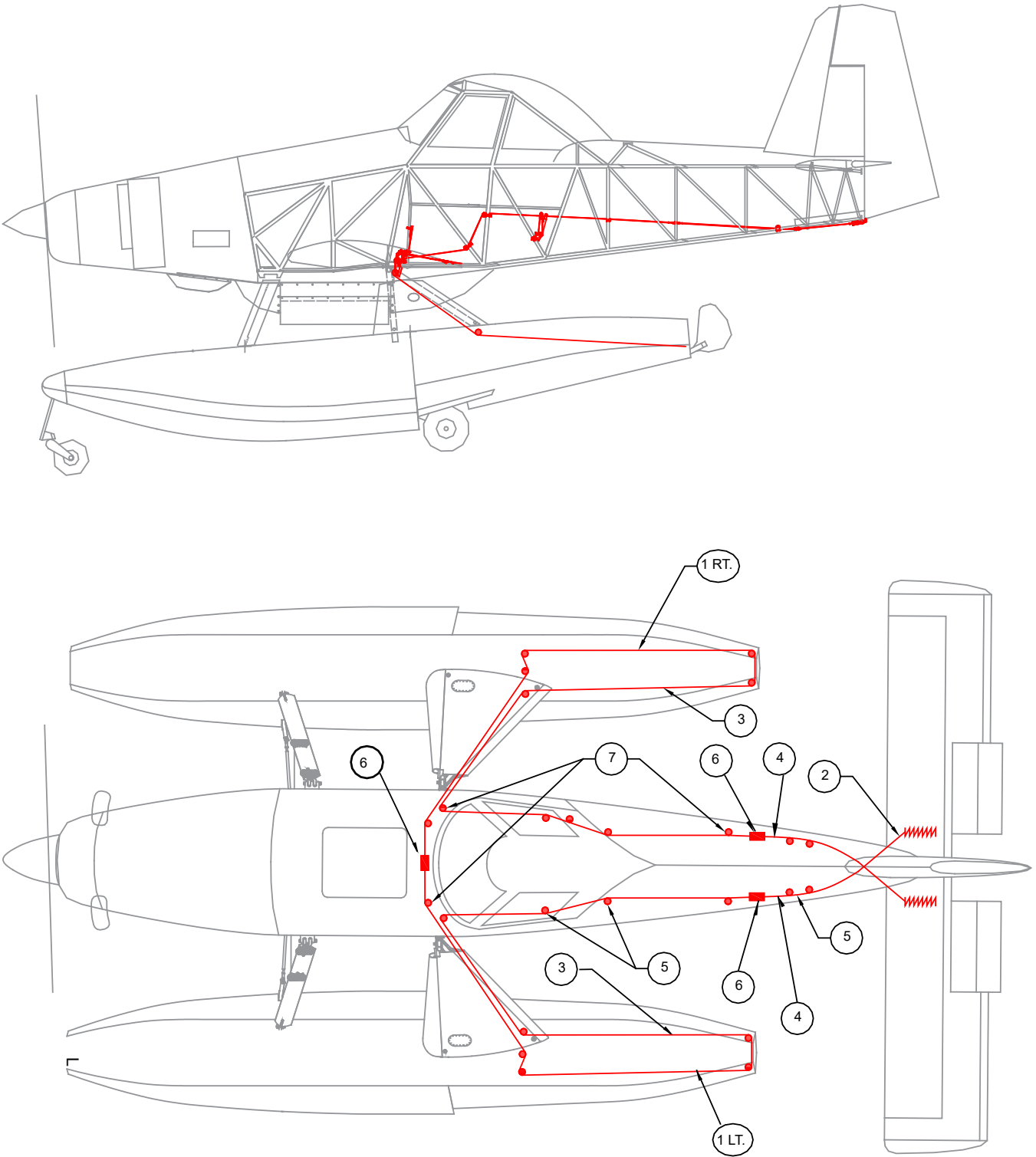
THIS PAGE INTENTIONALLY LEFT BLANK

## **SECTION 8 CABLING**

### **CONTENTS**

WATER RUDDER STEERING, FUSELAGE.....	210
WATER RUDDER RETRACT, FUSELAGE .....	212
MANUAL RETRACT HANDLE AT-802A.....	213
WATER RUDDER ELECTRIC ACTUATOR AND MOUNTING ANGLE AT-802 .....	215
ELECTRIC RETRACT MOTOR TOGGLE SWITCH & INDICATOR LIGHTS.....	216
WATER RUDDER PULLEY BRACKETS - FLOAT HULL.....	217
WATER RUDDER .....	220

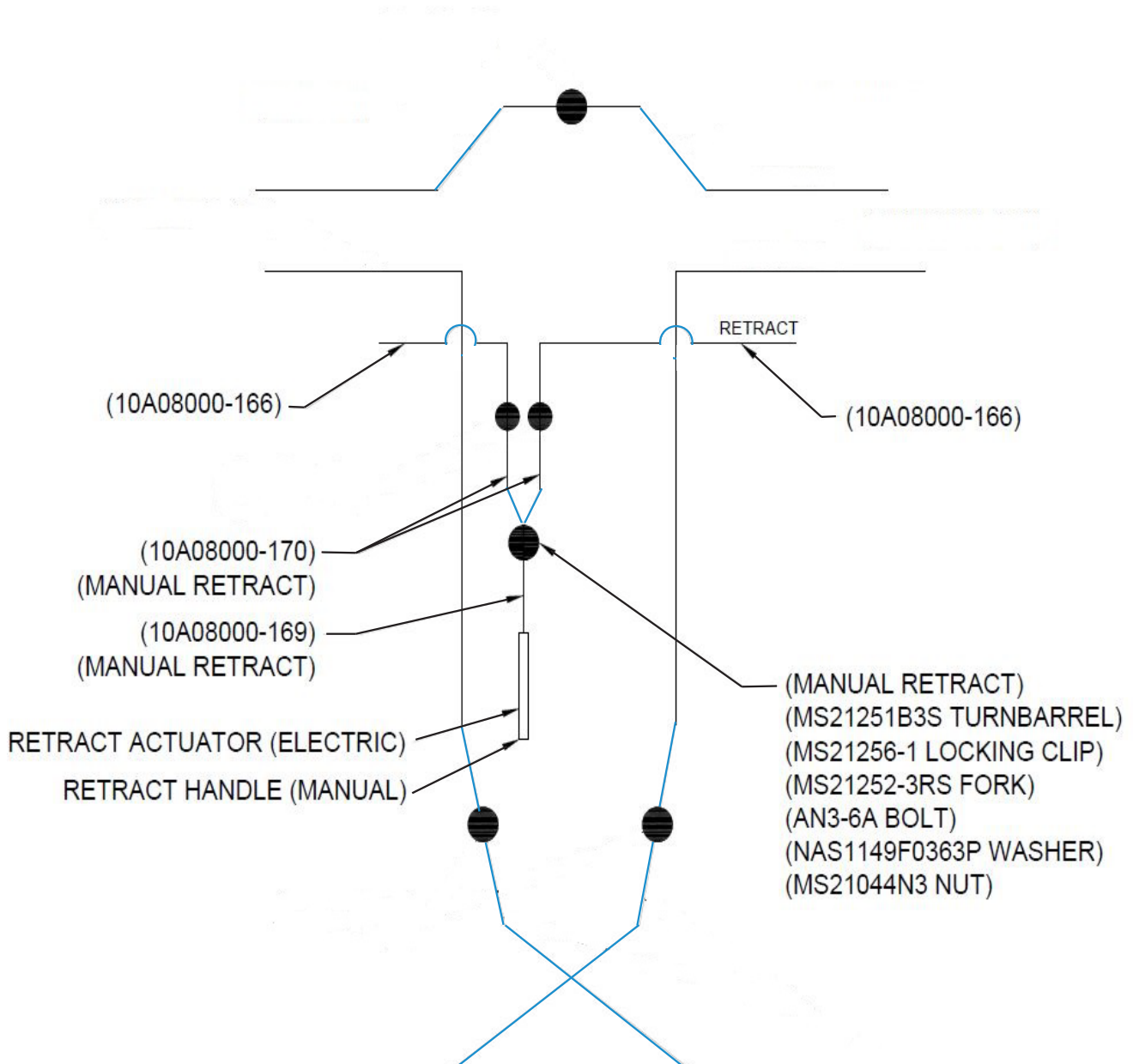
## WATER RUDDER STEERING, FUSELAGE



PARTS MANUAL  
 10000 AMPHIBIAN FLOATS ON AT-802 & AT-802A - FIRE BOSS CONVERSION

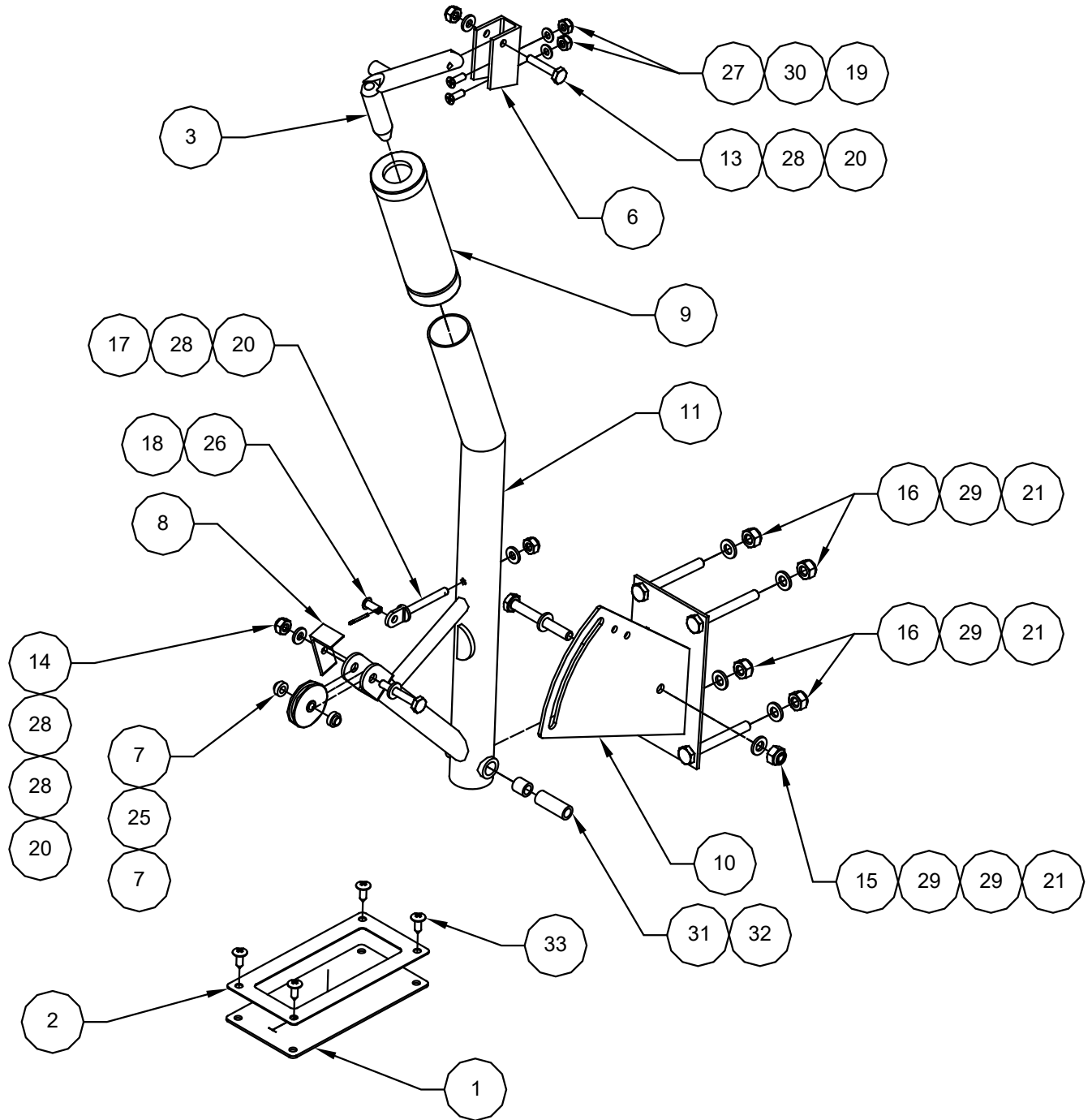
ITEM	QTY	PART NO.	PART DESCRIPTION
1 LT.	1	1001458	CABLE ASSEMBLY, BALANCE, LH
1 RT.	1	1001459	CABLE ASSEMBLY, BALANCE, RH
2	2	0760629-1	SPRING
	4	8A08492-001	DRAW BARS
3	2	10A08000-164	CABLE ASSEMBLY, STEERING
4	2	10A08000-168	CABLE ASSEMBLY, STEERING
5	A/R	MS20219-2	PULLEY, LARGE
6	3	MS21251B3S	TURNBUCKLE, BARREL
7	A/R	MS24566-1B	PULLEY, SMALL

## WATER RUDDER RETRACT, FUSELAGE





### MANUAL RETRACT HANDLE AT-802A

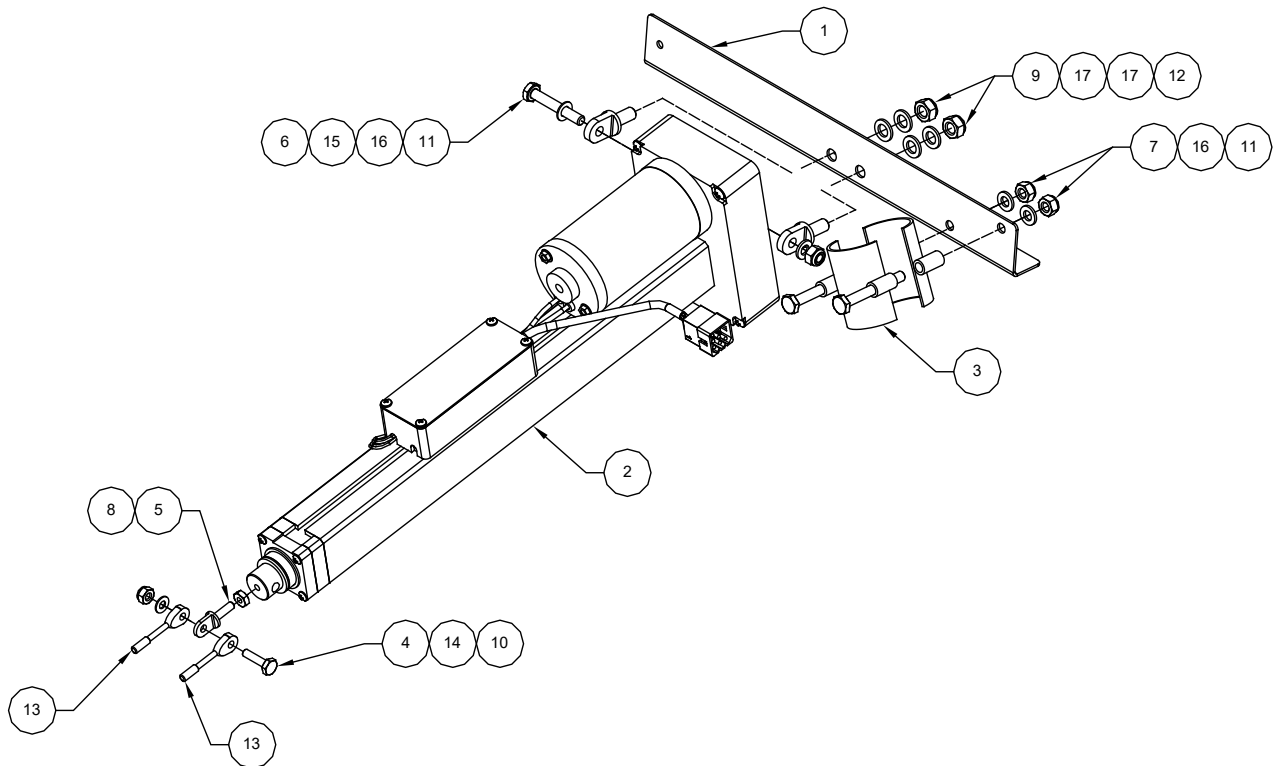


PARTS MANUAL

10000 AMPHIBIAN FLOATS ON AT-802 & AT-802A - FIRE BOSS CONVERSION

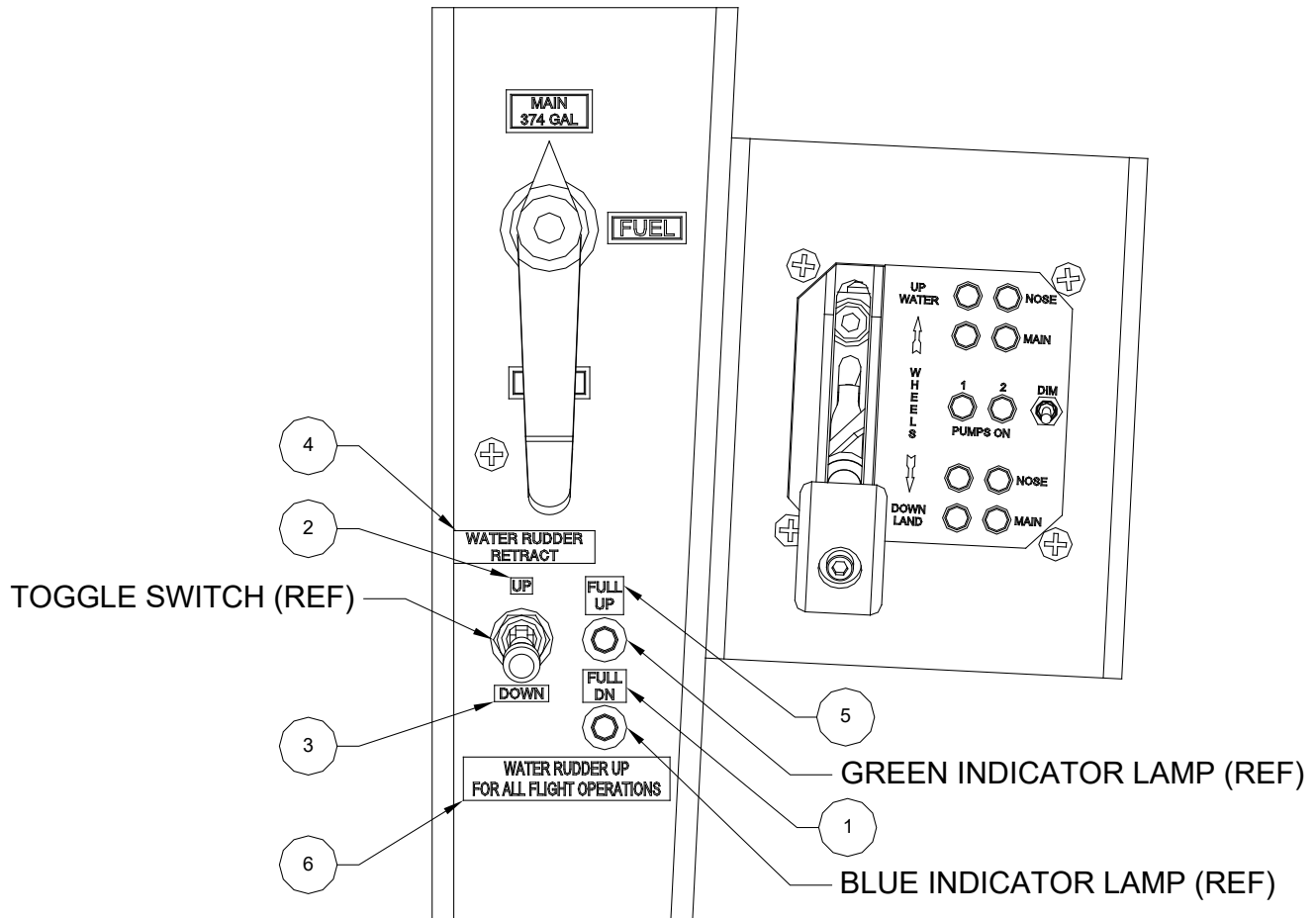
ITEM	QTY	PART NO.	PART DESCRIPTION
-	1	1001918	KIT-RETRACT HANDLE INSTALL
1	1	1001911	GASKET, RETRACT CABLE, FLOOR
2	1	1001913	RETAINER, GASKET, RETRACT CABLE, FLOOR
3	1	10A08000-167	CATCH, WATER RUDDER RETRACT
4	2	10A08000-169	CABLE, RETRACT
5	1	10A08000-170	CABLE, RETRACT
6	1	10A08193-008	BRACKET - CATCH - WATER RUDDER RETRACT
7	2	10A08280-006	SPACER, PULLEY BRACKET
8	1	10A08339-073	CABLE STOP STEERING RETRACT
9	1	100B118020	GRIP, DISPERSAL HANDLE 802
10	1	80069-5	SUPPORT ASSEMBLY, 2 FINS
11	1	80073-9	VALVE LEVER ASSEMBLY, YELLOW, 1" TUBE
12	1	AN3-6A	BOLT SIZE 10-32, LENGTH +/- 1/64 - 25/32, GRIP LENGTH 3/8
13	1	AN3-10A	BOLT SIZE 10-32, LENGTH +/- 1/64 - 1-1/32, GRIP LENGTH 5/8
14	1	AN3-12A	BOLT, 10-32 THREAD, 7/8" GRIP, 1-9/32" LENGTH
15	1	AN4-20A	BOLT SIZE 1/4-28, LENGTH +/- 1/64 - 2-1/32, GRIP LENGTH 1-9/16
16	4	AN4-21A	BOLT, 1/4-28 THREAD, 1-11/16" GRIP, 2-5/32" LENGTH
17	1	AN42B14A	BOLT EYE, 10-32 THREAD, 1-1/8" GRIP, 1-17/32" LENGTH
18	1	MS20392-2C11	PIN, CLEVIS, 3/16" DIA, 11/32" GRIP, ALLOY STEEL
19	2	MS21044N08	NUT, HEX-LOCKING NYLON INSERT STEEL CAD 2, 8-32
20	4	MS21044N3	NUT, HEX LOCKING NYLON INSERT STEEL CAD 2, 10-32
21	5	MS21044N4	NUT, HEX LOCKING NYLON INSERT STEEL CAD 2, 1/4-28
22	1	MS21251B3S	TURNBUCKLE, BARREL, 10-32 THREAD, 2 1/4" LENGTH
23	1	MS21252-3RS	TURNBUCKLE FORK, 10-32 THREAD, 3/32 CABLE SIZE
24	2	MS21256-1	CLIP LOCKING, 1.078" LENGTH, STAINLESS STEEL
24	1	MS24566-1B	PULLEY, FOR CABLE SIZES 1/16, 5/64, 3/32
26	1	MS24665-132	PIN, COTTER, 1/16" DIA, 1/2" LENGTH, CADMIUM PLATED
27	2	MS24694S5	SCREW, (100 DEG), 8-32 THREAD, 11/32" LENGTH, 3/32" GRIP
28	5	NAS1149F0363P	WASHER, 0.203 ID, 0.063 THK, STEEL
29	6	NAS1149F0463P	WASHER, SCREW SIZE 1/4 OD.500 ID.265 THK.063
30	2	NAS1149FN832P	WASHER, AIRFRAME, CARBON STEEL, TO FIT DIA #8
31	1	P26-3	BEARING, 1/4" DIA, 3/8" LENGTH
32	1	P26-8	BUNTING BUSHING
33	4	S1021A8-6	SCREW, (8X3/8 TR PHIL A STL SMS)

## WATER RUDDER ELECTRIC ACTUATOR AND MOUNTING ANGLE AT-802



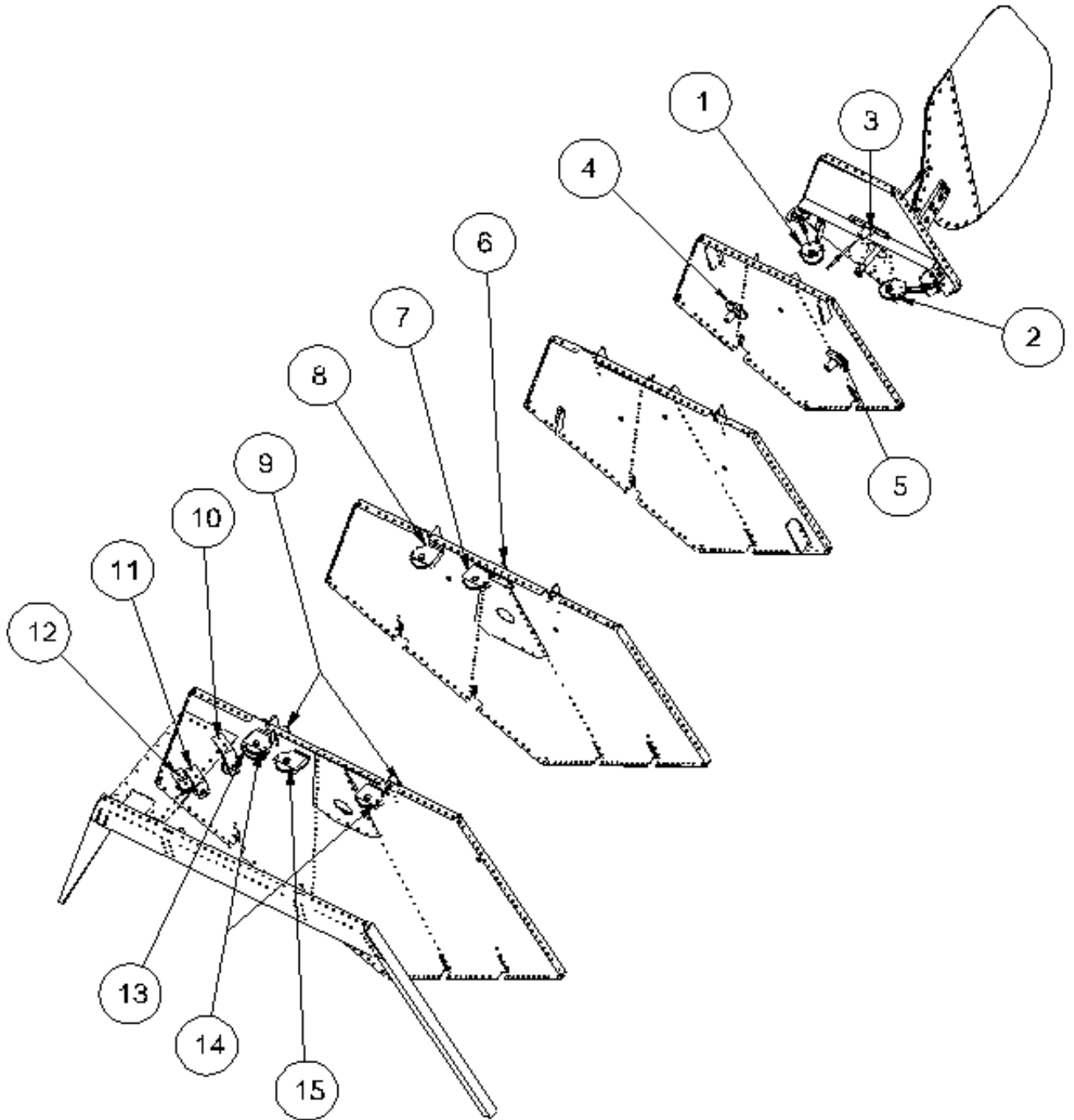
ITEM	QTY	PART NO.	PART DESCRIPTION
-	1	1001475	KIT, RETRACT MOTOR
1	1	1001097	ANGLE SUPPORT - RETRACT MOTOR
2	1	1001098	ASSEMBLY, WATER RUDDER RETRACT MOTOR
3	1	60928-1	CLAMP ASSY
4	1	AN3-6A	BOLT SIZE 10-32, LENGTH +/- 1/64 - 25/32, GRIP LENGTH 3/8
5	1	AN315-3R	NUT PLAIN, HEXAGON, 10-32 THREAD, RIGHT
6	1	AN4-15A	BOLT, 1/4-28 THREAD, 1-3/16" GRIP, 1-21/32" LENGTH
7	2	AN4-20A	BOLT SIZE 1/4-28, LENGTH +/- 1/64 - 2-1/32, GRIP LENGTH 1-9/16
8	1	AN42B5A	BOLT EYE, 10-32 THREAD, SIZE, 1/4" GRIP, 21/32" LENGTH
9	2	AN44-5A	BOLT EYE, 5/16-24 THREAD, 3/16" GRIP, 23/32" LENGTH
10	1	MS21044N3	NUT, HEX LOCKING NYLON INSERT STEEL CAD 2, 10-32
11	3	MS21044N4	NUT, HEX LOCKING NYLON INSERT STEEL CAD 2, 1/4-28
12	2	MS21044N5	NUT, HEX LOCKING NYLON INSERT STEEL CAD 2, 5/16-24
13	2	MS21254-3LS	TURNBUCKLE PIN EYE
14	1	NAS1149F0316P	WASHER, ID 13/64", OD 7/16"
15	1	NAS1149F0432P	WASHER, CARBON STEEL, TO FIT DIA 1/4", LIGHT THICKNESS
16	3	NAS1149F0463P	WASHER, SCREW SIZE 1/4 OD 500 ID 265 THK.063
17	4	NAS1149F0563P	WASHER, AIRFRAME, CARBON STEEL, TO FIT DIA 5/16"

## ELECTRIC RETRACT MOTOR TOGGLE SWITCH & INDICATOR LIGHTS



ITEM	QTY	PART NO.	PART DESCRIPTION
-	1	1001475	KIT, RETRACT MOTOR
1	1	1001336	PLACARD, FULL DN
2	1	1001337	PLACARD, UP
3	1	1001338	PLACARD, DOWN
4	1	1001622	PLACARD, WATER RUDDER RETRACT
5	1	1001623	PLACARD, FULL UP
6	1	6B3-2243-2	PLACARD, WATER RUDDER UP

## WATER RUDDER PULLEY BRACKETS - FLOAT HULL



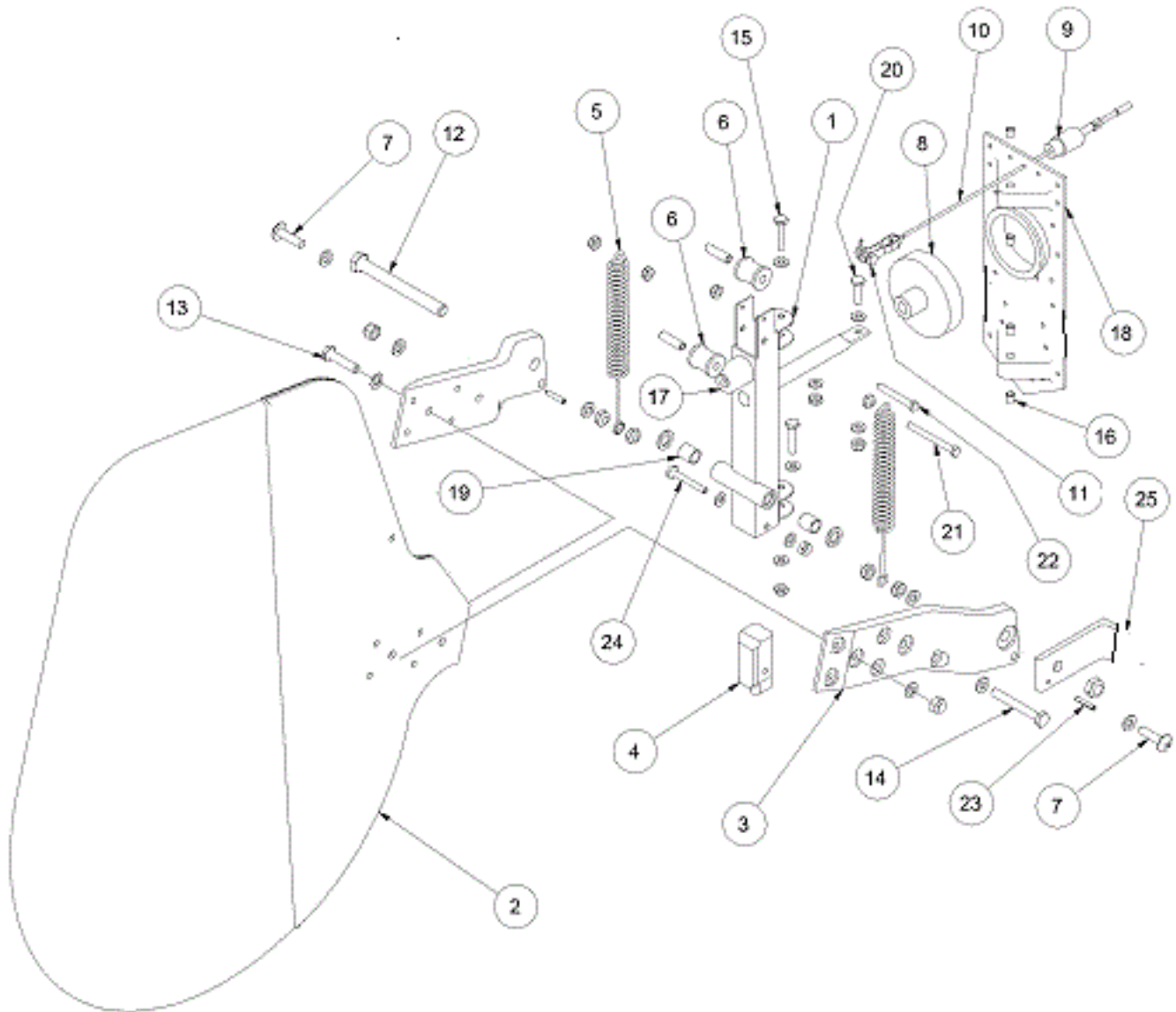
PARTS MANUAL  
10000 AMPHIBIAN FLOATS ON AT-802 & AT-802A - FIRE BOSS CONVERSION

ITEM	QTY	PART NO.	PART DESCRIPTION
1	1	10A08225-004	PULLEY BRACKET, RIGHT
	1	8A08000-043	CABLE ASSEMBLY, PULLEY
	1	AN3-5A	BOLT, 10-32, 0.25 GRIP, UNDRILLED, STEEL
	1	NAS1149F0332P	WASHER, 0.203 ID, 0.032 THK, STEEL
	1	NAS1149F0363P	WASHER, 0.203 ID, 0.063 THK, STEEL
	1	MS21044N3	NUT, LOCKING, REGULAR HEIGHT, 10-32 UNF
	1	MS20219-2	PULLEY
	1	AN4-7A	BOLT, 1/4-28, 0.4375 GRIP, UNDRILLED, STEEL
	1	MS21044N4	NUT, LOCKING, REGULAR HEIGHT, 1/4-28 UNF
	1	MS24665-136	COTTER PIN
2	1	10A08225-003	PULLEY BRACKET, LEFT
	1	8A08000-043	CABLE ASSEMBLY, PULLEY
	1	AN3-5A	BOLT, 10-32, 0.25 GRIP, UNDRILLED, STEEL
	1	NAS1149F0332P	WASHER, 0.203 ID, 0.032 THK, STEEL
	1	NAS1149F0363P	WASHER, 0.203 ID, 0.063 THK, STEEL
	1	MS21044N3	NUT, LOCKING, REGULAR HEIGHT, 10-32 UNF
	1	MS20219-2	PULLEY
	1	AN4-7A	BOLT, 1/4-28, 0.4375 GRIP, UNDRILLED, STEEL
	1	MS21044N4	NUT, LOCKING, REGULAR HEIGHT, 1/4-28 UNF
	1	MS24665-136	COTTER PIN
3	1	10A08033-004	BRACKET, CABLE GUIDE, RETRACT
	1	3A08605-001	CABLE GUIDE
4	1	10A08251-005	GUIDE, PULLEY BRACKET, RIGHT
	1	3A08605-001	CABLE GUIDE
5	1	10A08251-004	GUIDE, PULLEY BRACKET, LEFT
	1	3A08605-001	CABLE GUIDE
6	1	10A08033-004	BRACKET, CABLE GUIDE, RETRACT
	1	3A08605-001	CABLE GUIDE
7	1	10A08205-009	SHIM, PULLEY MOUNT
	1	3A01151-010	PULLEY BRACKET
	1	MS20219-2	PULLEY
	1	AN4-10A	BOLT, 1/4-28, 0.5625 GRIP, UNDRILLED, STEEL
	1	MS21044N4	NUT, LOCKING, REGULAR HEIGHT, 1/4-28 UNF
	1	MS24665-136	COTTER PIN
8	1	10A01156-179	REINFORCEMENT, PULLEY
	1	3A01151-010	PULLEY BRACKET
	1	MS20219-2	PULLEY
	1	AN4-10A	BOLT, 1/4-28, 0.5625 GRIP, UNDRILLED, STEEL
	1	MS21044N4	NUT, LOCKING, REGULAR HEIGHT, 1/4-28 UNF
	1	MS24665-136	COTTER PIN
9	2	10A08183-007	PULLEY BRACKET GUIDE

PARTS MANUAL  
10000 AMPHIBIAN FLOATS ON AT-802 & AT-802A - FIRE BOSS CONVERSION

ITEM	QTY	PART NO.	PART DESCRIPTION
	2	3A08605-001	CABLE GUIDE
10	1	10A08410-010	PULLEY BRACKET, TALL, RIGHT
	1	10A08410-011	PULLEY BRACKET, TALL, LEFT
	1	MS20219-2	PULLEY
	1	AN4-11A	BOLT, 1/4-28, 0.6875 GRIP, UNDRILLED, STEEL
	1	MS21044N4	NUT, LOCKING, REGULAR HEIGHT, 1/4-28 UNF
	1	MS24665-136	COTTER PIN
11	1	10A08410-008	PULLEY BRACKET, MEDIUM, RIGHT
	1	10A08410-009	PULLEY BRACKET, MEDIUM, LEFT
	1	MS24566-1B	PULLEY
	1	AN3-7A	BOLT, 10-32, 0.5 GRIP, UNDRILLED STEEL
	1	MS21044N3	NUT, LOCKING, REGULAR HEIGHT, 10-32 UNF
	1	MS24665-136	COTTER PIN
12	2	10A08357-079	PULLEY BRACKET, FLOAT DECK, SHORT
	1	MS24566-1B	PULLEY
	1	AN3-7A	BOLT, 10-32, 0.5 GRIP, UNDRILLED STEEL
	1	MS21044N3	NUT, LOCKING, REGULAR HEIGHT, 10-32 UNF
	1	MS24665-136	COTTER PIN
13	1	3A01151-010	PULLEY BRACKET
	1	MS20219-2	PULLEY
	1	AN4-10A	BOLT, 1/4-28, 0.5625 GRIP, UNDRILLED, STEEL
	1	MS21044N4	NUT, LOCKING, REGULAR HEIGHT, 1/4-28 UNF
	1	MS24665-136	COTTER PIN
14	2	10A08200-008	SHIM, PULLEY MOUNT
	2	3A01151-010	PULLEY BRACKET
	2	MS20219-2	PULLEY
	2	AN4-10A	BOLT, 1/4-28, 0.5625 GRIP, UNDRILLED, STEEL
	2	MS21044N4	NUT, LOCKING, REGULAR HEIGHT, 1/4-28 UNF
	2	MS24665-136	COTTER PIN
15	1	10A08357-079	PULLEY BRACKET, FLOAT DECK, SHORT
	1	10A08200-008	SHIM, PULLEY MOUNT
	1	3A01151-010	PULLEY BRACKET
	1	MS20219-2	PULLEY
	1	AN4-10A	BOLT, 1/4-28, 0.5625 GRIP, UNDRILLED, STEEL
	1	MS21044N4	NUT, LOCKING, REGULAR HEIGHT, 1/4-28 UNF
	1	MS24665-136	COTTER PIN

## WATER RUDDER





PARTS MANUAL  
10000 AMPHIBIAN FLOATS ON AT-802 & AT-802A - FIRE BOSS CONVERSION

ITEM	QTY	PART NO.	PART DESCRIPTION
1	1	8A08000-098	ASSY. - WATER RUDDER POST
2	1	8A08000-023	ASSY. - WATER RUDDER BLADE
3	1	8A08044-002	ARM - WATER RUDDER CONTROL - RT.
	1	8A08044-001	ARM - WATER RUDDER CONTROL - LT.
4	1	8A08183-006	STOP - WATER RUDDER - DOWN
5	2	3A08525-001	SPRING
6	2	3A08606-001	ROLLER
	2	3A08502-001	BUSHING - ROLLER
7	2	MS35207-283	SCREW - SPRING ATTACH
	A/R	NAS1149F0463P	WASHER
	4	NAS679A4W	NUT
8	1	3A08650-001	RUBBER BOOT
9	1	3A08605-001	CABLE GUIDE
10	1	10A08000-166	CABLE ASSEMBLY
11	1	MS20392-2C19	CLEVIS PIN
	1	NAS1149D0363J	WASHER
	1	MS24665-132	COTTER PIN
12	1	AN6C34A	BOLT
	A/R	NAS1149D0663J	WASHER
	1	MS21083N6	NUT
13	2	AN4-11A	BOLT
	A/R	NAS1149D0416J	WASHER
	2	MS21044N4	NUT
	2	AN3-13A	BOLT
	A/R	NAS1149D0363J	WASHER
	2	MS21044N3	NUT
	2	AN3-10A	BOLT
	A/R	NAS1149D0363J	WASHER
	2	MS21044N3	NUT
14	1	AN4-20A	BOLT
	A/R	NAS1149D0463J	WASHER
	1	MS21044N4	NUT
15	2	AN3C10A	BOLT
	4	NAS1149D0363J	WASHER
	2	NAS679A3W	NUT
16	4	03DU04	BEARING
17	1	10A08602-011	UP STOP - WATER RUDDER
	1	AN526-1032R16	SCREW
	1	MS21044N3	NUT
18	1	3A01437-001	CASTING - WATER RUDDER
19	4	06DU08	BEARING (TEFLON STEEL)

PARTS MANUAL

10000 AMPHIBIAN FLOATS ON AT-802 & AT-802A - FIRE BOSS CONVERSION

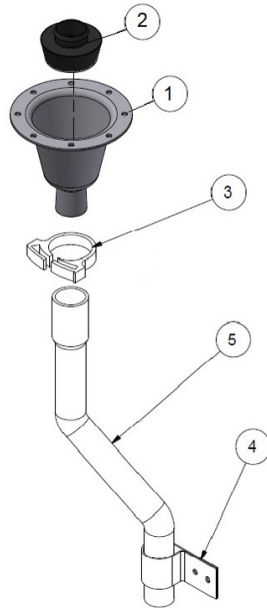
ITEM	QTY	PART NO.	PART DESCRIPTION
20	1	AN3-6A	BOLT
	2	NAS1149D0363J	WASHER
	1	MS21044N3	NUT
21	1	1032 X 2INCH SS	BOLT (STAINLESS STEEL)
	3	NAS679A3W	NUT
22	1	1032 X 2INCH SS	BOLT (STAINLESS STEEL)
	1	NAS679A3W	NUT
23	2	NAS561P4-12	ROLL PIN
24	1	AN3-13A	BOLT
	2	NAS1149D0363J	WASHER
	1	MS21044N3	NUT
25	2	10A08426-012	STOP - WATER RUDDER RT.

## **SECTION 9 PUMPER TUBE INSTALLATION**

### **CONTENTS**

PUMPER TUBE .....	224
-------------------	-----

### PUMPER TUBE



ITEM	QTY	PART NO.	PART DESCRIPTION
1	1	1011004	ASSEMBLY, CUP, PUMPOUT, DUCKBILL
	1	4A01749-001	PUMP OUT CUP
	1	1011808	RETAINER, VALVE, DUCKBILL, PUMPOUT PLUG
2	1	1011870	VALVE, DUCKBILL (NEW VERSION)
	1	2111	STOPPER - PUMP OUT
3	1	57134	CLAMP, PLASTIC, WHITE, 3/4" DIAMETER ADJUSTABLE
4	1	3A01158-003	CLAMP - PUMP OUT TUBE
5	1	RM618	10A01618-088 PUMPER TUBE - 33.5" PUMPER TUBE STATION #1
	1	RM618	10A01618-089 PUMPER TUBE - 41" PUMPER TUBE STATION #2
	1	RM618	10A01618-090 PUMPER TUBE - 45" PUMPER TUBE STATION #3
	1	RM618	10A01618-091 PUMPER TUBE - 45.5" PUMPER TUBE STATION #4
	1	RM618	10A01618-092 PUMPER TUBE - 49" PUMPER TUBE STATION #5
	1	RM618	10A01618-093 PUMPER TUBE - 56" PUMPER TUBE STATION #6 OUTBOARD
	1	RM618	10A01618-094 PUMPER TUBE - 46" PUMPER TUBE STATION #7 INBOARD
	2	RM618	10A01618-095 PUMPER TUBE - 45.5" PUMPER TUBE STATION #8
	1	RM618	10A01618-096 PUMPER TUBE - 37.25" PUMPER TUBE STATION #9
	1	RM618	10A01618-097 PUMPER TUBE - 33.75" PUMPER TUBE STATION #10
	1	RM618	10A01618-098 PUMPER TUBE - 30" PUMPER TUBE STATION #11
	1	RM618	10A01618-099 PUMPER TUBE - 23.5" PUMPER TUBE STATION #12
	1	RM618	10A01618-100 PUMPER TUBE - 20.5" PUMPER TUBE STATION #13

# *FIRE BOSS*

FLEMING FIELD  
1700 HENRY AVE.  
SOUTH ST. PAUL, MN 55075 U.S.A.  
PHONE: (651) 209-7191 FAX: (651) 457-7858  
EMAIL: [INFO@FIREBOSSLIC.COM](mailto:INFO@FIREBOSSLIC.COM)  
[WWW.FIREBOSSLIC.COM](http://WWW.FIREBOSSLIC.COM)