



WIPLINE FLOATS • SKIS • MODIFICATIONS • AIRCRAFT SALES
AVIONICS • INTERIOR • MAINTENANCE • PAINT REFINISHING



**PARTS MANUAL
FOR
WIPLINE MODEL 2100 FLOATS
ON
PIPER PA-18 & PA-12**

Revision T

1700 Henry Ave. - Fleming Field (KSGS), South St. Paul, MN 55075
Ph: 651.451.1205 Fax: 651.457.7858
www.wipaire.com

THIS PAGE INTENTIONALLY LEFT BLANK

LOG OF REVISIONS

Revision	Pages Affected	Description	Date
A-K	All	For previous revision changes, reference Parts Manual for 2100 Floats on Piper PA-18 and PA-12, Revision K, part number 1002166.	6/1/2020
L	All	Added note about nose and main gear tire/tube. Updated Tire and Tube part numbers AA1D4 and XA1AC. Changed 21A01158-203 to 21S01158-203. Updated bottom skins and stiffeners. Added note about Wipaire drawing 1011065 for alternate part numbers. Changed Ring Terminal R-3 to MS25036-102. Created sections for Post/Pre Service Letter 225 for Hydraulics and Electrical. Updated Hydraulic System Installation for PA-18 and PA-12 images and part lists. Added 1011805 Hydraulic Pump for PA-18 image and parts list. Added 1011830 Hydraulic Pump for PA-12 image and parts list. Updated Hydraulic Pump Overview image and parts list. Updated Electrical Schematic image and parts list.	5/10/2021
M	73	Changed 010-026 Seal to 471570 Seal, Timken.	5/26/2022
N	60, 79-80	Updated Pump Out Cup and Valve image and parts. Updated image and parts list in Main Gear Wheel Grove/Wipaire Assembly section.	1/30/2023
P	87, 89	Updated parts list in Struts, Wires, & Spreader Bars section.	11/29/2023
R	128, 130	Corrected bulb part numbers in gear control indicator assemblies.	9/23/2024
T	10-14, 17-19, 23-24, 29, 37, 40, 44, 86, 88-92	Removed 21A03115-001 and associated hardware in Hull Assemblies for Amphibian and Seaplane sections. Updated images and parts in Bulkheads 21A01000-250, 21A01000-253, 21A01000-261, 21A01000-263, 21A01000-264, and 21A01000-265. Removed Paddle Bracket 1002114, Right Stop 1002113, Left Stop 3A01156-057, Paddle Clip 3A01503-001, and Paddle 0238-0035 from Skins & Stiffeners sections. Added Canoe Paddle section image and parts list. Updated image and renumbered parts list, removed 21A03032-006, 21A03214-003, 21A03115-001, and 21A03154-007, updated MS21044N6 quantity 16 to 12 in Struts, Wires, & Spreader Bars section. Added Fwd Spreader Bar Support Panel Assembly 21A01000-260 image and parts list. Added Aft Spreader Bar Support Panel Assembly 21A01000-259 image and parts list. Added Spreader Bar Tube Mounting image and parts list.	4/17/2025

View most current version of parts manual at www.wipaire.com.

THIS PAGE INTENTIONALLY LEFT BLANK

TABLE OF CONTENTS

FLOAT PART SALES DEPARTMENT OPERATIONS	6
INTRODUCTION	7
SECTION 1 HULL BULKHEAD ASSEMBLIES	9
SECTION 2 WHEEL WELL ASSEMBLY	31
SECTION 3 SKINS, STIFFENERS, & PADDLE	35
SECTION 4 TOP DECK ASSEMBLY	45
SECTION 5 EXTRUSIONS	53
SECTION 6 PUMPER TUBE INSTALLATION	59
SECTION 7 WATER RUDDER AND STEERING & RETRACT SYSTEM	61
SECTION 8 LANDING GEAR	67
SECTION 9 STRUTS, WIRES AND SPREADER BARS	85
SECTION 10 HYDRAULIC SYSTEM	93
SECTION 11 ELECTRICAL	123

FLOAT PART SALES DEPARTMENT OPERATIONS

Parts Sales:

Wipaire, Inc.

1700 Henry Avenue – Fleming Field

South St. Paul, MN 55075

Telephone: (651) 306-0459

Fax: (651)-306-0666

Website: www.wipaire.com

Email: customerservice@wipaire.com

Note: Any information not found in this manual for strut package parts and other installation items refer to the installation drawing package provided with the STC at the time of float installation. Additional drawing copies are available for purchase through the Wipaire Customer Service Department.

Parts Ordering

Purchase orders should include:

1. Purchase order number
2. Name of person placing order
3. Invoicing information:
 - a. Customer name - company or individual
 - b. Address
 - c. Phone and fax number
4. Shipping information:
 - a. Address (if different from invoice address)
 - b. Method of shipment/preferred carrier
5. Aircraft model, float model, and serial numbers
6. Wipaire part number; name; type, e.g. left or right; quantity
7. Payment method: VISA, MasterCard, C.O.D. (Collect on Delivery) (U.S. customers only), pre-payment by check or wire transfer, open account (see Credit Policy)

INTRODUCTION

All references in this manual to LEFT and RIGHT are from the perspective of the pilot's seat with the floats fully installed and ready for floatplane operation.

The following is a list of abbreviations that may appear in the description nomenclature fields of this manual:

AB	Afterbody	Inbd.	Inboard
Amphib.	Amphibious	Lg.	Large
AR	As Required	Lt.	Left
Assy.	Assembly	Lwr.	Lower
Brkt.	Bracket	Opt.	Optional
Btm.	Bottom	Otbd.	Outboard
Bulk.	Bulkhead	Reinf.	Reinforcement
Ctr.	Center	Rr.	Rear
Cyl.	Cylinder	Rt.	Right
Ft.	Front	Sm.	Small
Ftg.	Fitting	SN	Serial Number
Fus.	Fuselage	Spr.	Spreader
Fwd	Forward	Up.	Upper
Horiz.	Horizontal	Vert.	Vertical
Hyd.	Hydraulic	W.W.	Wheel Well

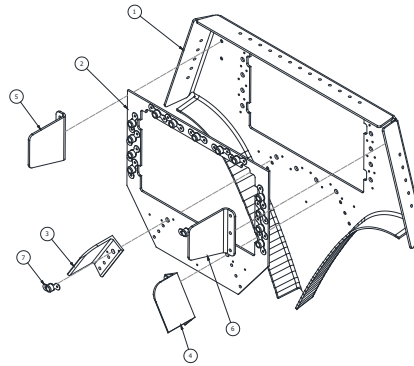
USING THIS PARTS MANUAL

COVERAGE

Parts information is provided in this manual for the hulls and all "deck down" parts. For information on strut package parts and other aircraft installation items, refer to the installation drawing package provided with the STC at the time of float installation. Additional drawing copies are available for purchase through Wipaire Customer Service Department.

Name of main part in the section. Example: This part is showing the components made up in Bulkhead #1.

BULKHEAD #1



Main part image. If the image has numbers associated with it, then those numbers are item numbers shown in the table below.

Items with a (-) instead of a number represent the main part as an assembly. Other parts represent the parts included in the assembly.

ITEM	QTY	PART NO.	PART DESCRIPTION
-	1	1008815	ASSEMBLY BULKHEAD #1, 10000
1	1	1008797	PANEL, BULKHEAD #1
2	1	13A01156-085	DOUBLER #1 BULKHEAD
3	1	13A01357-049	CLEAT, SISTER KEEL ATTACH #1 BULKHEAD
4	1	13A01357-050	CLEAT, SISTER KEEL ATTACH #1 BULKHEAD
5	1	6A01156-054	ANGLE – TOP RAIL
6	1	6A01156-055	ANGLE – TOP RAIL
7	17	MS21047L4	NUT PLATE, SELF LOCKING

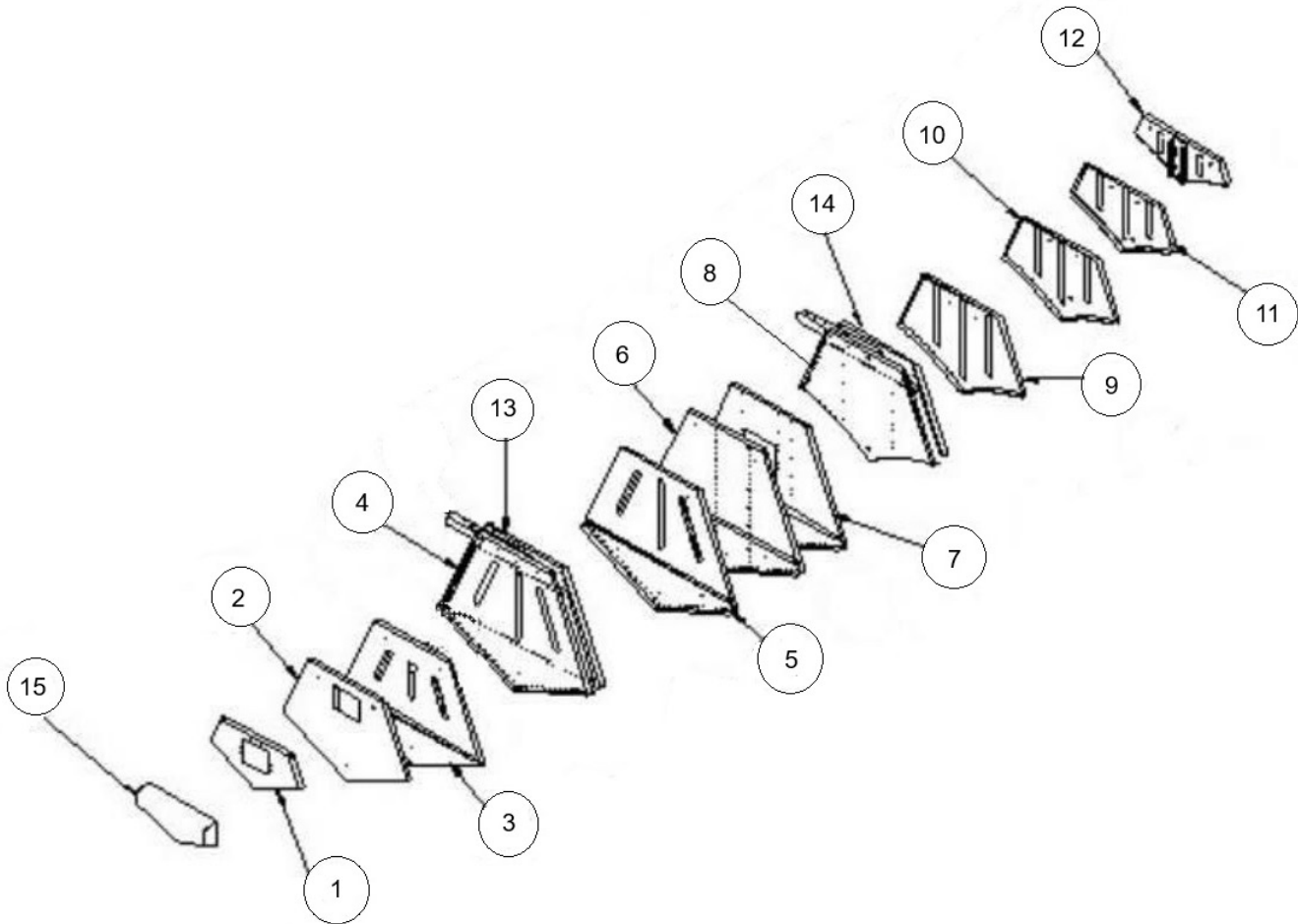
To order an individual part, order the part number associated with item number.

SECTION 1 HULL BULKHEAD ASSEMBLIES

CONTENTS

HULL ASSEMBLY - AMPHIBIAN	10
HULL ASSEMBLY - SEAPLANE	12
NOSE BUMPER - AMPHIBIAN	15
BULKHEAD #1	16
BULKHEAD #3	17
BULKHEAD #4	18
BULKHEAD #5	19
BULKHEAD #6	20
BULKHEAD #7 LEFT FLOAT	21
BULKHEAD #7 RIGHT FLOAT	22
BULKHEAD #8 LEFT FLOAT	23
BULKHEAD #8 RIGHT FLOAT	24
BULKHEAD #10	25
BULKHEAD #11	26
BULKHEAD #12	27
BULKHEAD #13	28
BULKHEAD #14	29

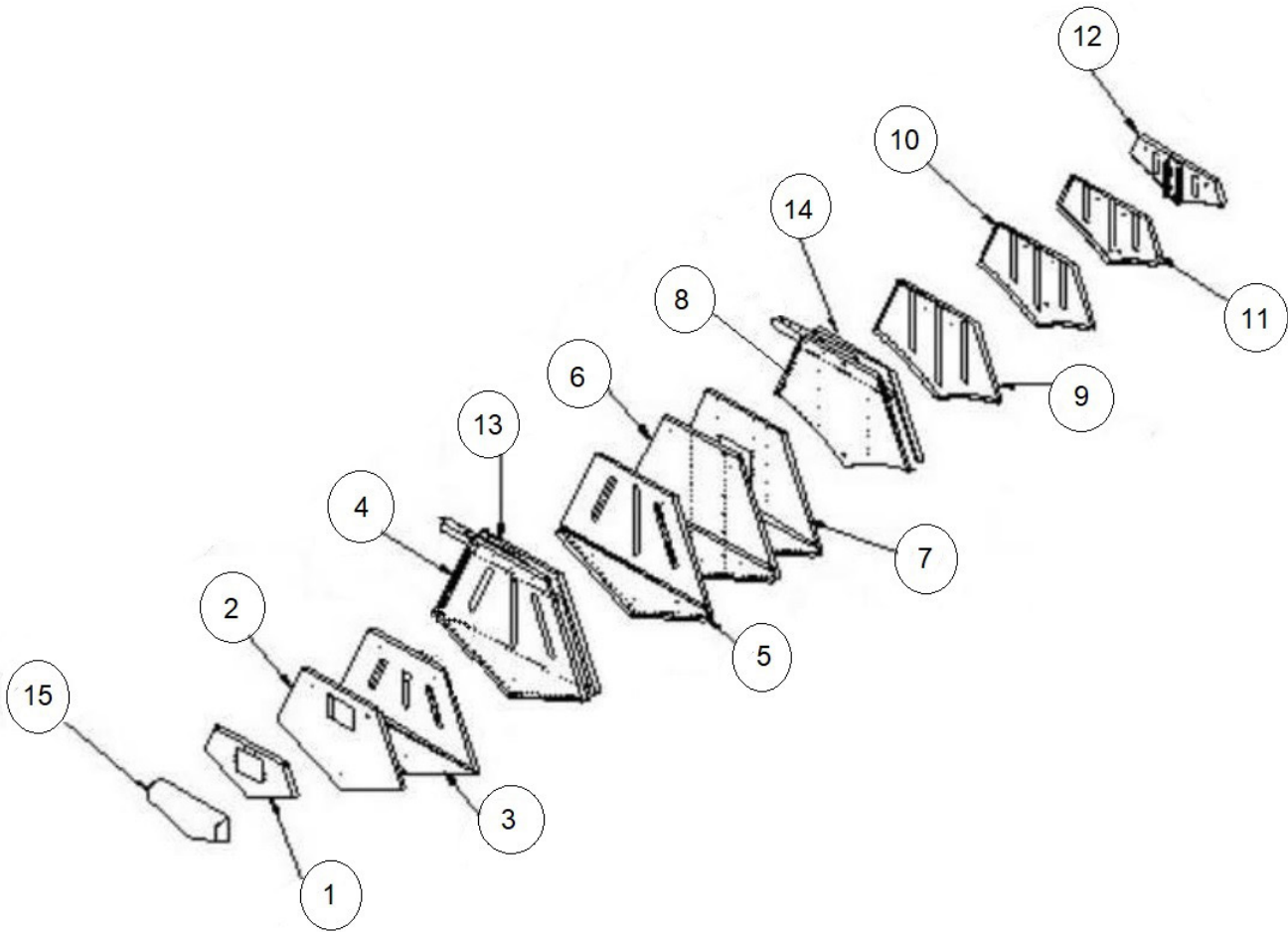
HULL ASSEMBLY - AMPHIBIAN



PARTS MANUAL
2100 FLOATS ON PIPER PA-18 & PA-12

ITEM	QTY	PART NO.	PART DESCRIPTION
1	1	21A01163-067	ASSEMBLY, BULKHEAD #1
2	1	21A01000-265	ASSEMBLY, BULKHEAD #3
3	1	21A01000-261	ASSEMBLY, BULKHEAD #4
4	1	21A01000-253	ASSEMBLY, BULKHEAD #5
5	1	21A01000-252	ASSEMBLY, BULKHEAD #6
6 LT.	1	21A01000-267	ASSEMBLY, BULKHEAD #7, LH
6 RT.	1	21A01000-266	ASSEMBLY, BULKHEAD #7, RH
7 LT.	1	21A01000-263	ASSEMBLY, BULKHEAD #8, LH
7 RT.	1	21A01000-264	ASSEMBLY, BULKHEAD #8, RH
8	1	21A01000-262	ASSEMBLY, BLKHD 10, COMP
9	1	21A01000-395	ASSEMBLY, BULKHEAD #11
10	1	21A01000-396	ASSEMBLY, BULKHEAD #12
11	1	21A01000-397	ASSEMBLY, BULKHEAD #13
12	1	21A01000-250	ASSEMBLY, BULKHEAD #14
13	1	21A01000-260	ASSY. SPR. BAR PANEL FWD
	1	21A01163-065	PANEL – SPR. BAR
	1	21A01326-013	ANGLE – SIDE L.
	1	21A01326-014	ANGLE – SIDE R.
	1	AN4-5A	BOLT, 1/4-28, 0.1875 GRIP, UNDRILLED, STEEL
	1	NAS1149F0463P	WASHER, 0.265 ID, 0.063 THK, STEEL
	1	MS21044N4	NUT, LOCKING, REGULAR HEIGHT, 1/4-28 UNF
14	1	21A01000-259	ASSY. SPR. BAR PANEL AFT
	1	21A01163-065	PANEL – SPR. BAR
	1	21A01326-009	ANGLE – SIDE L.
	1	21A01326-010	ANGLE – SIDE R.
	1	AN4-5A	BOLT, 1/4-28, 0.1875 GRIP, UNDRILLED, STEEL
	1	NAS1149F0463P	WASHER, 0.265 ID, 0.063 THK, STEEL
	1	MS21044N4	NUT, LOCKING, REGULAR HEIGHT, 1/4-28 UNF
15	1	21A01000-295	ASSEMBLY, NOSE BUMPER, 2100

HULL ASSEMBLY - SEAPLANE

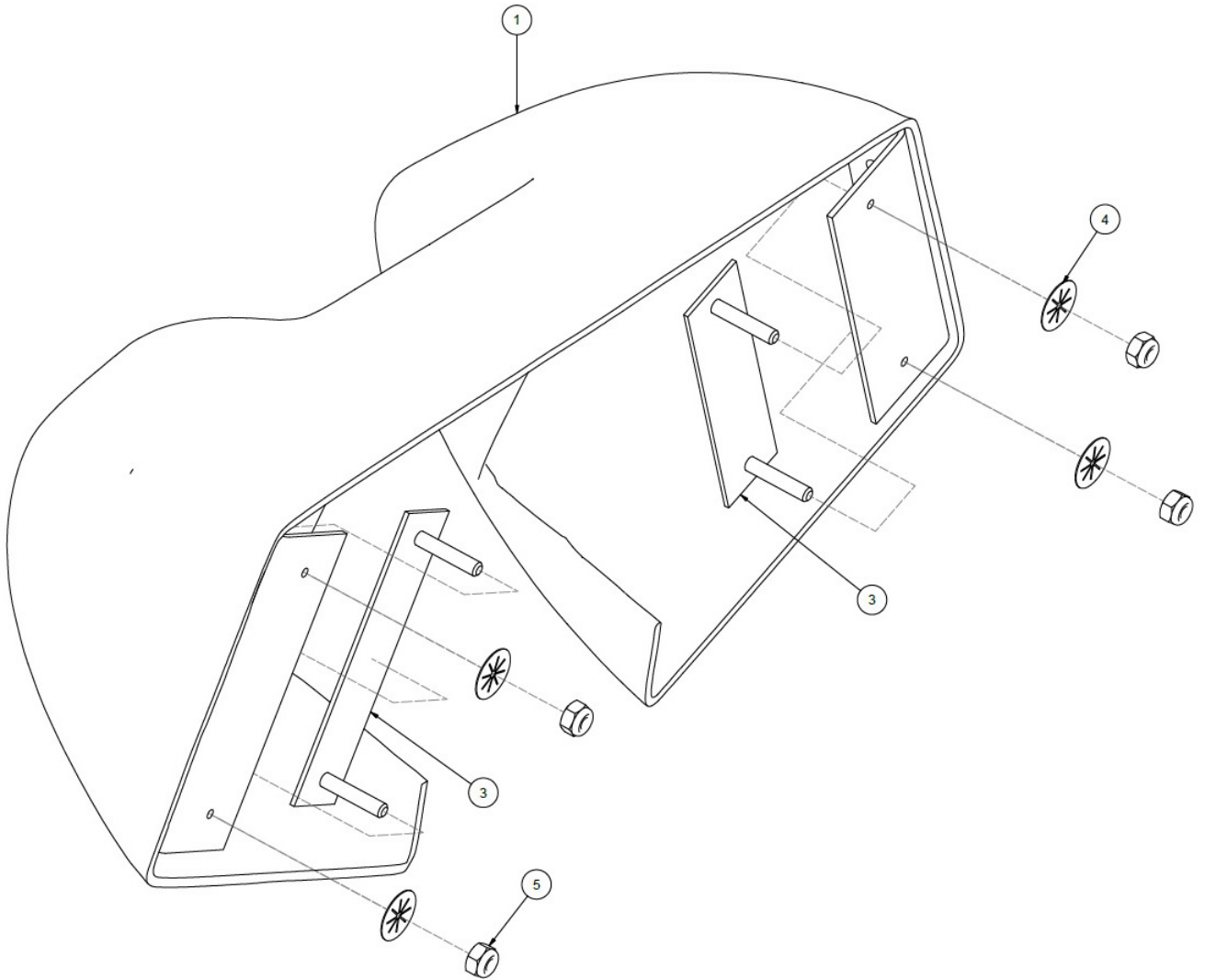


PARTS MANUAL
2100 FLOATS ON PIPER PA-18 & PA-12

ITEM	QTY	PART NO.	PART DESCRIPTION
1	1	21A01163-067	BULKHEAD #1
	1	21501000-366	COVER ASS'Y.
	1	21S01150-134	COVER – NOSE GEAR OPENING
	A/R	MS21059L3	PLATE NUT
2	1	21A01000-265	ASSY BULKHEAD #3
	1	21A01158-184	PANEL, BULKHEAD 3
	1	21A01326-005	ANGLE, SUPPORT, BULKHEAD 3
	1	21A01326-006	ANGLE, SUPPORT, BULKHEAD 3
	2	94154A100	WASHER, STAINLESS STEEL W/PVC PLASTIC, SEALING
	2.5 IN	9903-13-36	TAPE, TINNEMAN, 1/2"X.005"
	2	AN526-632R6	SCREW, MACHINE, TRUSS HEAD
	2	MS21047L06	NUT PLATE, FIXED, STEEL, PLAIN, 6-32
3	1	21A01000-261	ASSY BULKHEAD #4
	1	21A01158-174	PANEL, BULKHEAD 4
	1	21A01158-175	SUPPORT BULKHEAD 4
	1	3A01158-003	CLAMP, PUMP OUT TUBE
	2	94154A100	WASHER, STAINLESS STEEL W/PVC PLASTIC, SEALING
	2.5 IN	9903-13-36	TAPE, TINNEMAN, 1/2"X.005"
	2	AN526-632R6	SCREW, MACHINE, TRUSS HEAD
	2	MS21047L06	NUT PLATE, FIXED, STEEL, PLAIN, 6-32
4	1	21A01000-253	ASSY BULKHEAD #5
	1	21A01158-178	BULKHEAD - MAIN
	1	21A01326-007	ANGLE – SIDE L.
	1	21A01326-008	ANGLE – SIDE R.
	1	21A01163-066	PANEL – SPR. BAR
	1	21A01158-175	SUPPORT – BULKHEAD LOWER
	1	3A01158-003	CLAMP, PUMP OUT TUBE
5	1	21A01000-252	ASSY BULKHEAD #6
	1	21A01158-189	BULKHEAD – MAIN
	1	21A01158-177	SUPPORT – BULKHEAD LOWER
	1	MS35489-19	GROMMET
6	1	21S01000-308	ASSY BULKHEAD #7
	1	21A01158-189	BULKHEAD - MAIN
	1	21A01158-177	SUPPORT – BULKHEAD LOWER
	1	3A01158-003	CLAMP, PUMP OUT TUBE
7	1	21S01000-309	ASSY BULKHEAD #8
	1	21A01158-189	BULKHEAD – MAIN
	1	21A01158-177	SUPPORT – BULKHEAD LOWER
	2	21S01158-203	ANGLE – A.B. SKIN ATTACH
	1	3A01158-003	CLAMP, PUMP OUT TUBE
8	1	21S01000-322	ASSY. – BULKHEAD #10

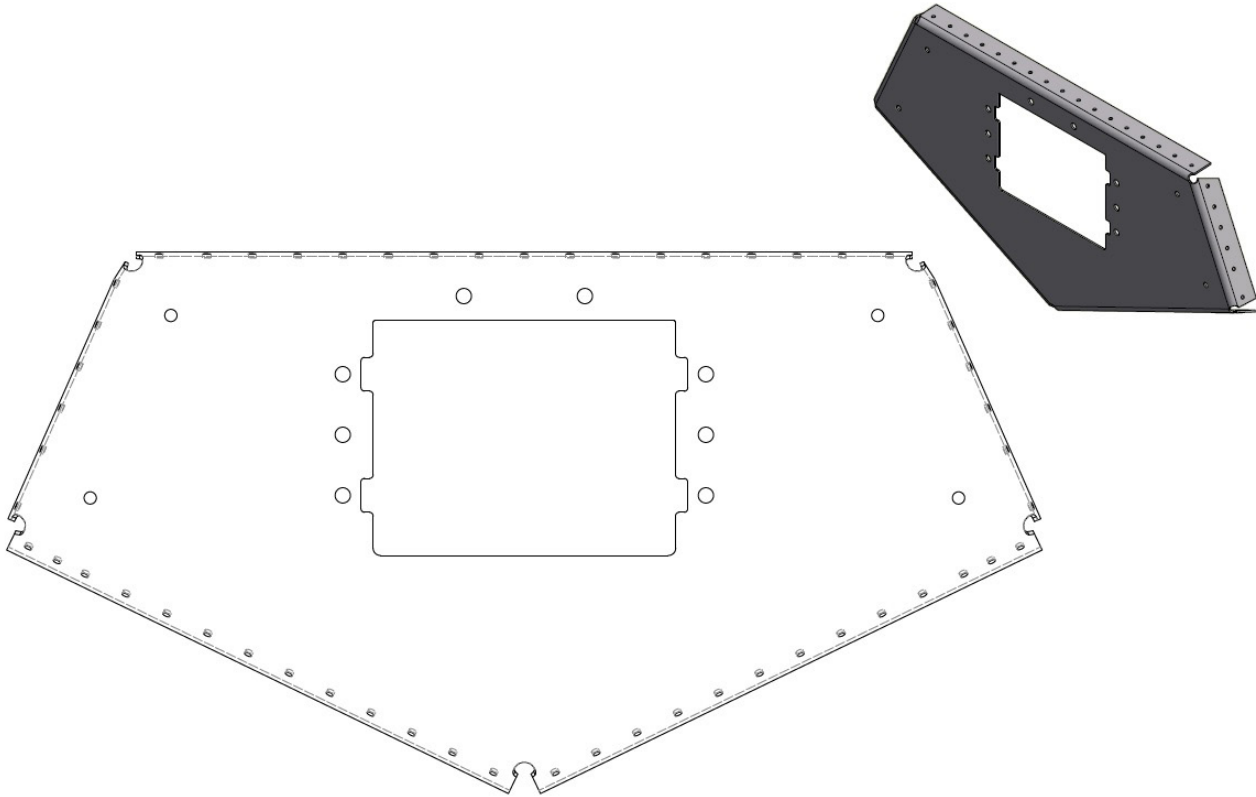
ITEM	QTY	PART NO.	PART DESCRIPTION
	1	21A01158-169	BULKHEAD - MAIN
	1	21A01326-011	ANGLE SIDE L.
	1	21A01326-012	ANGLE SIDE R.
	1	21A01163-066	PANEL – SPR. BAR
	2	21S01340-129	ANGLE – VERTICAL
	1	3A01158-003	CLAMP, PUMP OUT TUBE
9	1	21A01000-395	BULKHEAD #11
	1	21A01158-168	BULKHEAD PANEL
10	1	21A01000-396	BULKHEAD #12
	1	21A01158-167	BULKHEAD PANEL
11	1	21A01000-397	BULKHEAD #13
	1	21A01158-166	BULKHEAD PANEL
12	1	21A01000-250	ASSY. BULKHEAD #14
	1	21A01158-164	BULKHEAD - MAIN
	1	21A01158-165	CHANNEL – REIN.
	1	21A08156-130	PLATE – WATER RUDDER STOP
13	1	21A01000-260	ASSY. SPR. BAR PANEL FWD
	1	21A01163-065	PANEL – SPR. BAR
	1	21A01326-013	ANGLE – SIDE L.
	1	21A01326-014	ANGLE – SIDE R.
	1	AN4-5A	BOLT, 1/4-28, 0.1875 GRIP, UNDRILLED, STEEL
	1	NAS1149F0463P	WASHER, 0.265 ID, 0.063 THK, STEEL
	1	MS21044N4	NUT, LOCKING, REGULAR HEIGHT, 1/4-28 UNF
14	1	21A01000-259	ASSY. SPR. BAR PANEL AFT
	1	21A01163-065	PANEL – SPR. BAR
	1	21A01326-009	ANGLE – SIDE L.
	1	21A01326-010	ANGLE – SIDE R.
	1	AN4-5A	BOLT, 1/4-28, 0.1875 GRIP, UNDRILLED, STEEL
	1	NAS1149F0463P	WASHER, 0.265 ID, 0.063 THK, STEEL
	1	MS21044N4	NUT, LOCKING, REGULAR HEIGHT, 1/4-28 UNF
15	1	21S01738-001	NOSE BUMPER

NOSE BUMPER - AMPHIBIAN



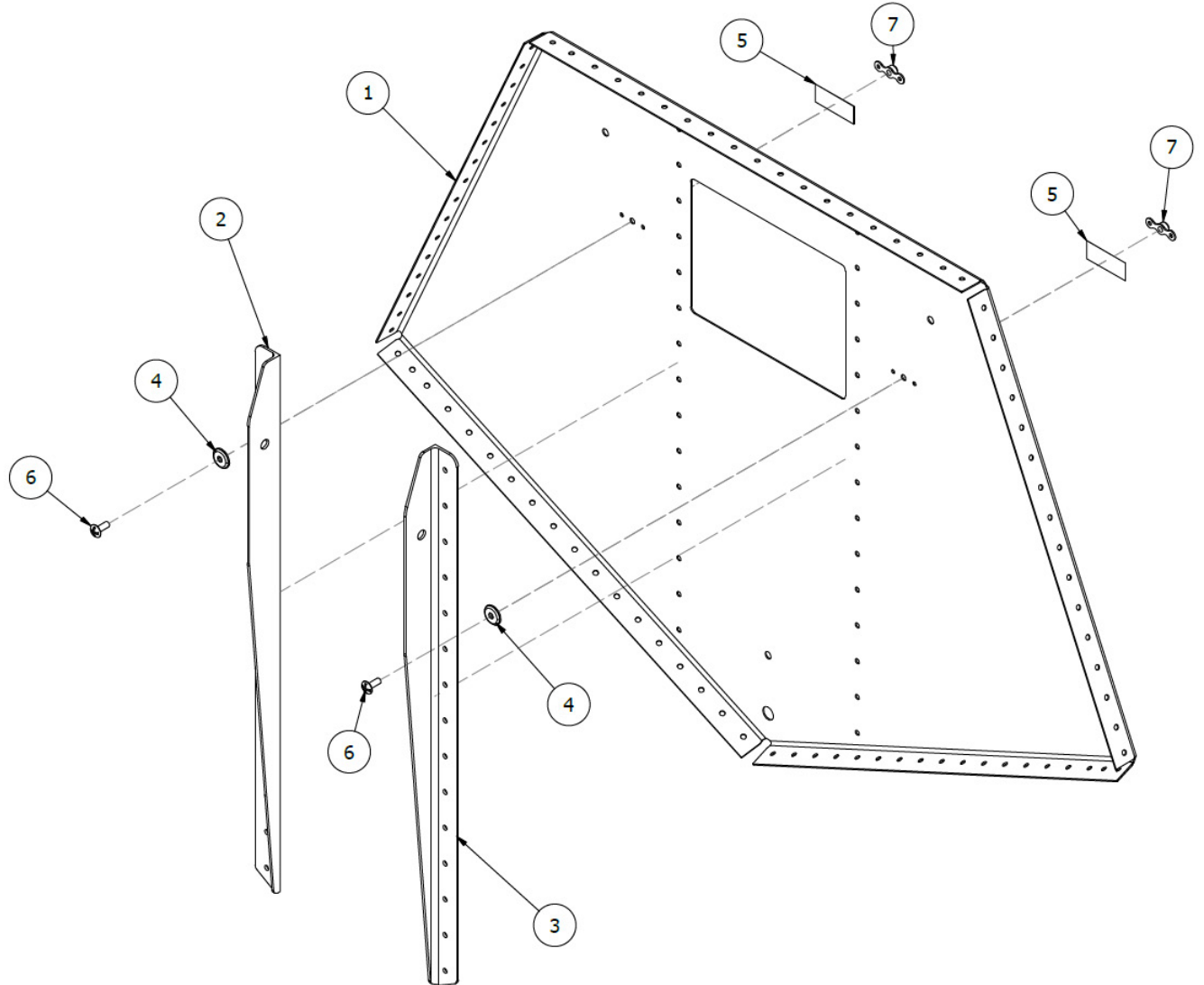
ITEM	QTY	PART NO.	PART DESCRIPTION
-	1	21A01000-295	ASSEMBLY, NOSE BUMPER, 2100
1	1	21A01000-295-1	NOSE BUMPER
2	2	21A01000-295-2	ANGLE, MOUNT, NOSE BUMPER
3	2	21A01000-295-3	PLATE, SCREW MOUNT, NOSE BUMPER
4	4	4HFW3	PUSH NUT WASHER
5	4	MS21044N3	NUT, LOCKING, REGULAR HEIGHT, 10-32 UNF
6	4	MS51958-67	SCREW, BUTTON HEAD

BULKHEAD #1



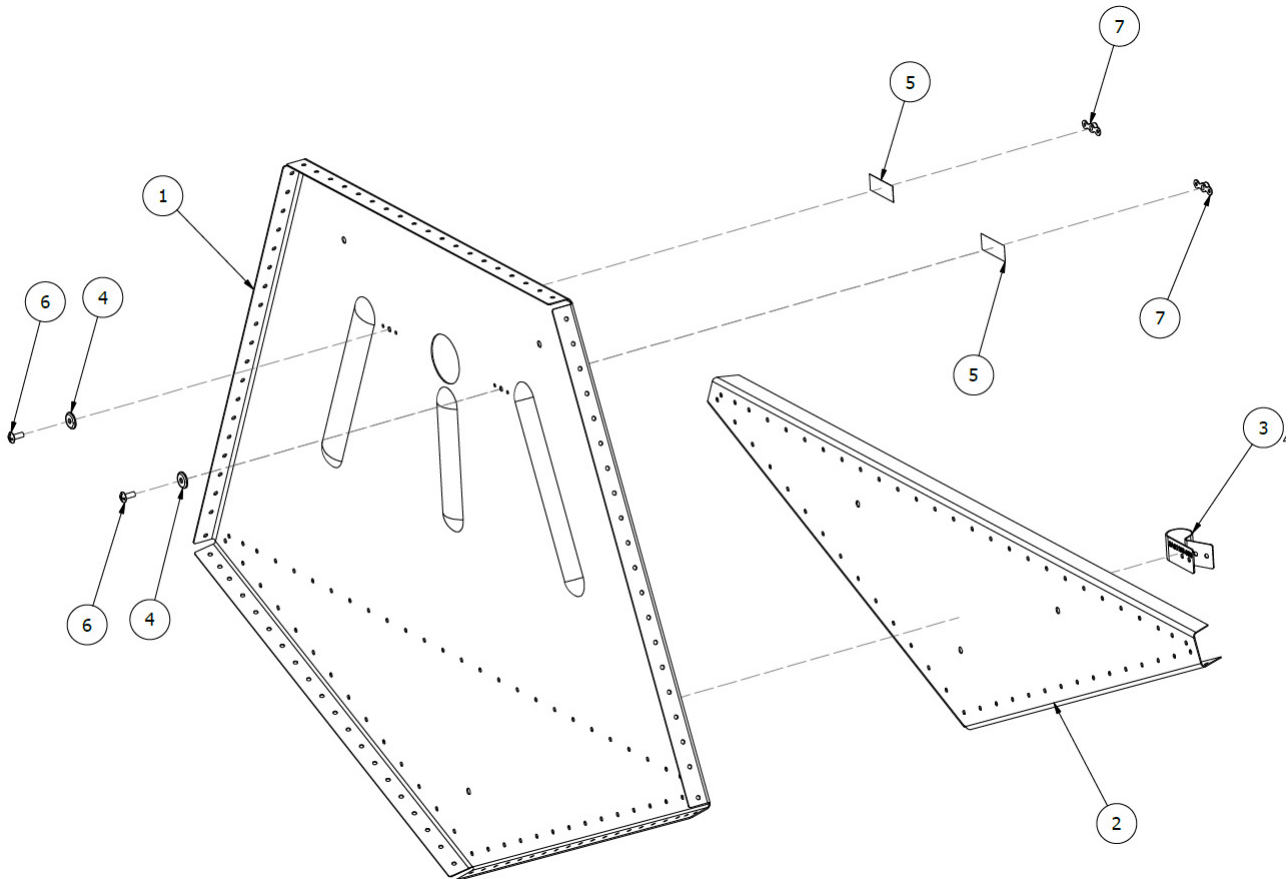
ITEM	QTY	PART NO.	PART DESCRIPTION
-	1	21A01163-067	BULKHEAD #1

BULKHEAD #3



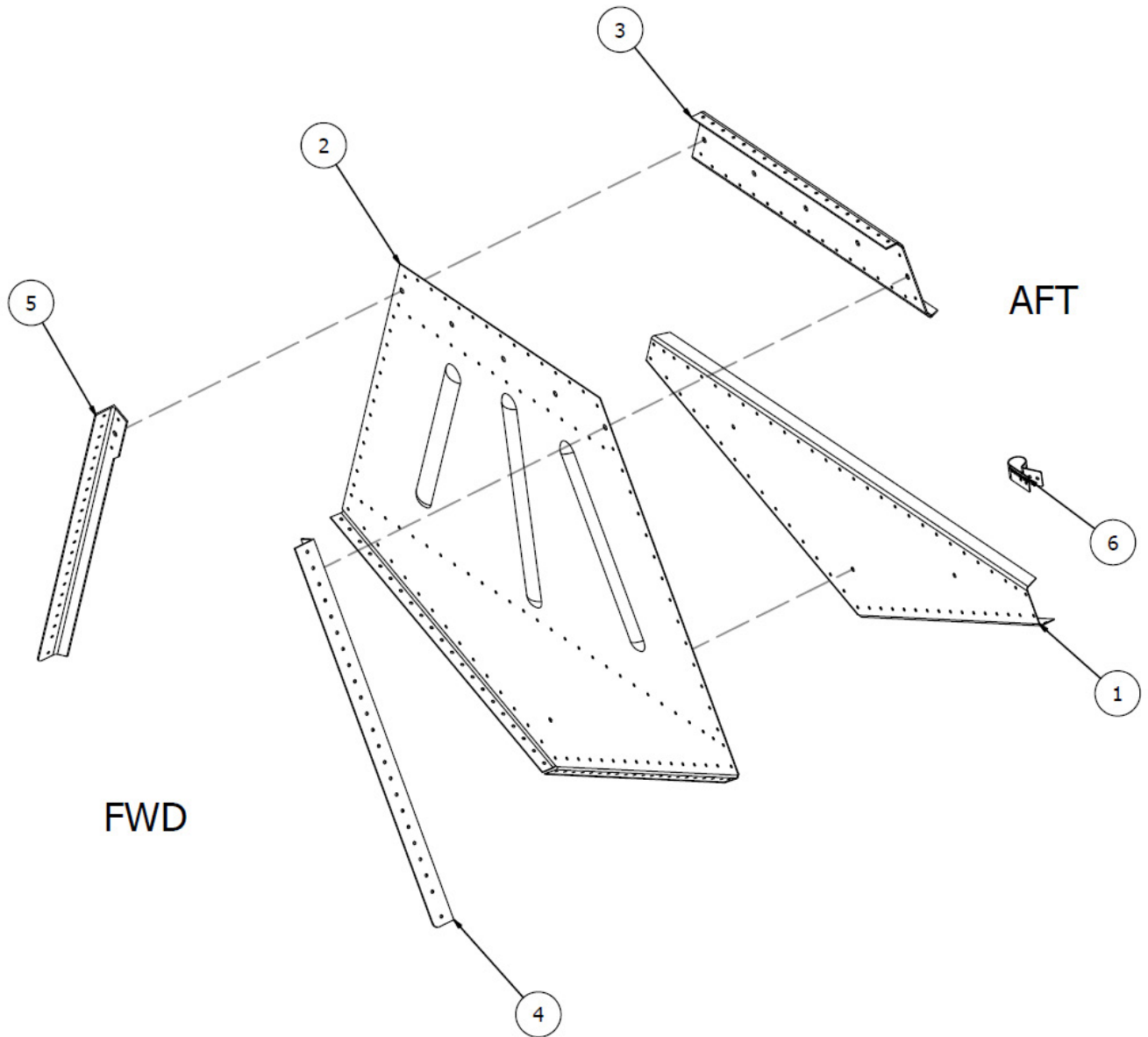
ITEM	QTY	PART NO.	PART DESCRIPTION
-	1	21A01000-265	ASSEMBLY, BULKHEAD #3
1	1	21A01158-184	PANEL, BULKHEAD 3
2	1	21A01326-005	ANGLE, SUPPORT, BULKHEAD 3
3	1	21A01326-006	ANGLE, SUPPORT, BULKHEAD 3
4	2	94154A100	WASHER, STAINLESS STEEL W/PVC PLASTIC, SEALING
5	2.5 IN	9903-13-36	TAPE, TINNEMAN, 1/2"X.005"
6	2	AN526-632R6	SCREW, MACHINE, TRUSS HEAD
7	2	MS21047L06	NUT PLATE, FIXED, STEEL, PLAIN, 6-32

BULKHEAD #4



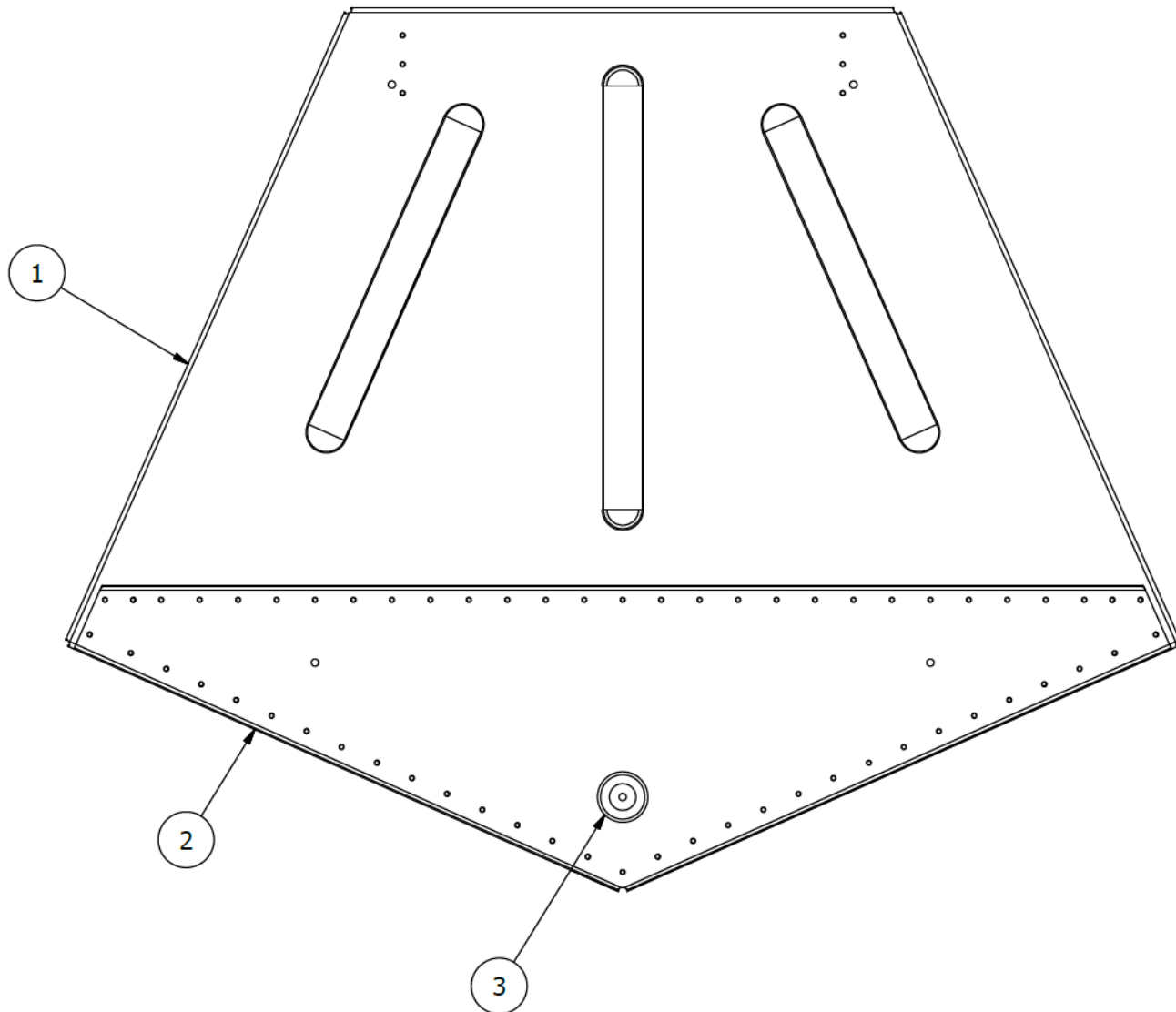
ITEM	QTY	PART NO.	PART DESCRIPTION
-	1	21A01000-261	ASSEMBLY, BULKHEAD #4
1	1	21A01158-174	PANEL, BULKHEAD 4
2	1	21A01158-175	SUPPORT BULKHEAD 4
3	1	3A01158-003	CLAMP, PUMP OUT TUBE
4	2	94154A100	WASHER, STAINLESS STEEL W/PVC PLASTIC, SEALING
5	2.5 IN	9903-13-36	TAPE, TINNERMAN, 1/2"X.005"
6	2	AN526-632R6	SCREW, MACHINE, TRUSS HEAD
7	2	MS21047L06	NUT PLATE, FIXED, STEEL, PLAIN, 6-32

BULKHEAD #5



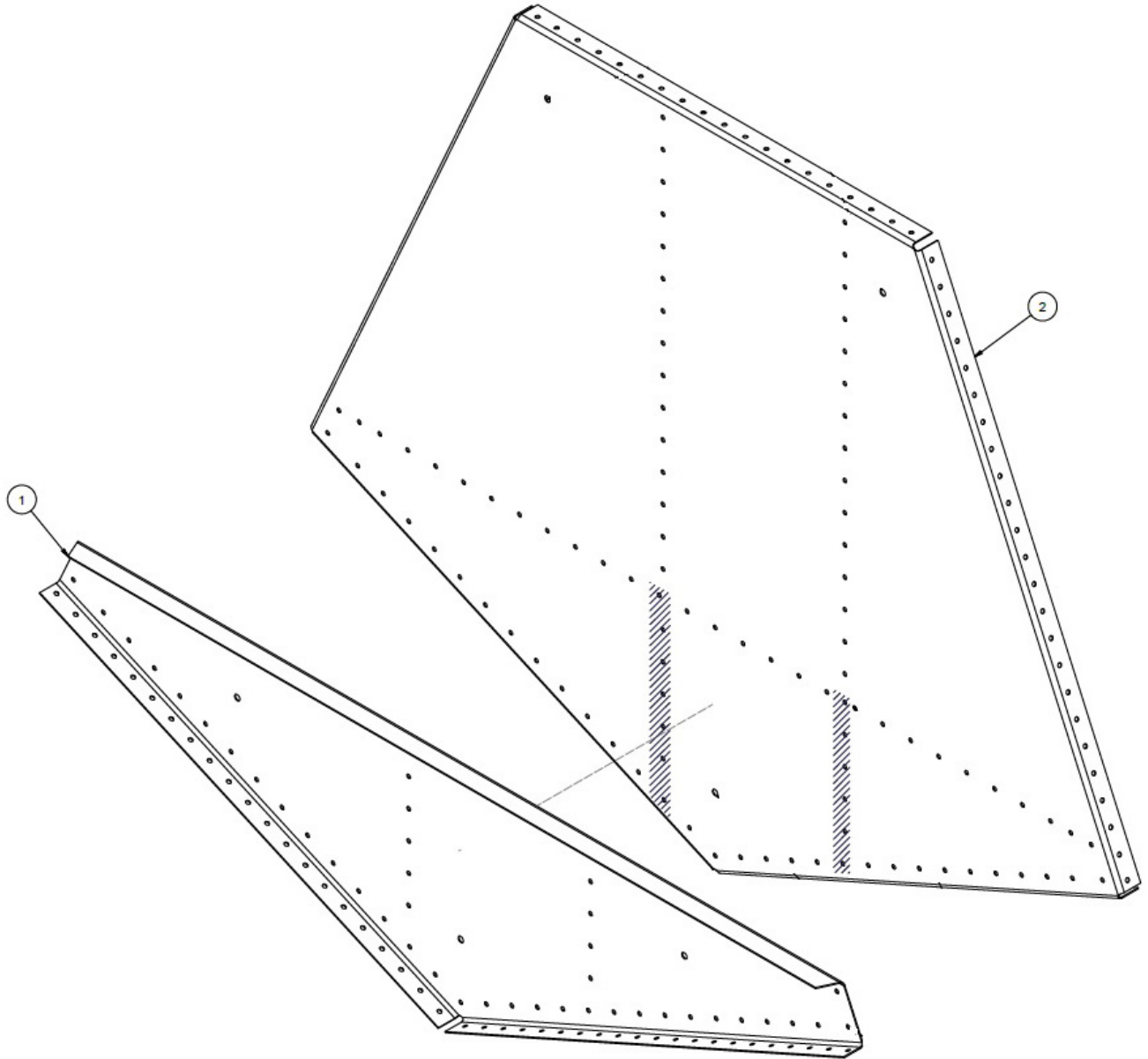
ITEM	QTY	PART NO.	PART DESCRIPTION
-	1	21A01000-253	ASSEMBLY, BULKHEAD 5
1	1	21A01158-177	SUPPORT, BULKHEAD #6
2	1	21A01158-178	BULKHEAD #5 - FORMED
3	1	21A01163-066	SPREADER BAR PANEL
4	1	21A01326-007	ANGLE SUPPORT, LH, BULKHEAD #5
5	1	21A01326-008	ANGLE SUPPORT, RH, BULKHEAD #5
6	1	3A01158-003	CLAMP, PUMP OUT TUBE

BULKHEAD #6



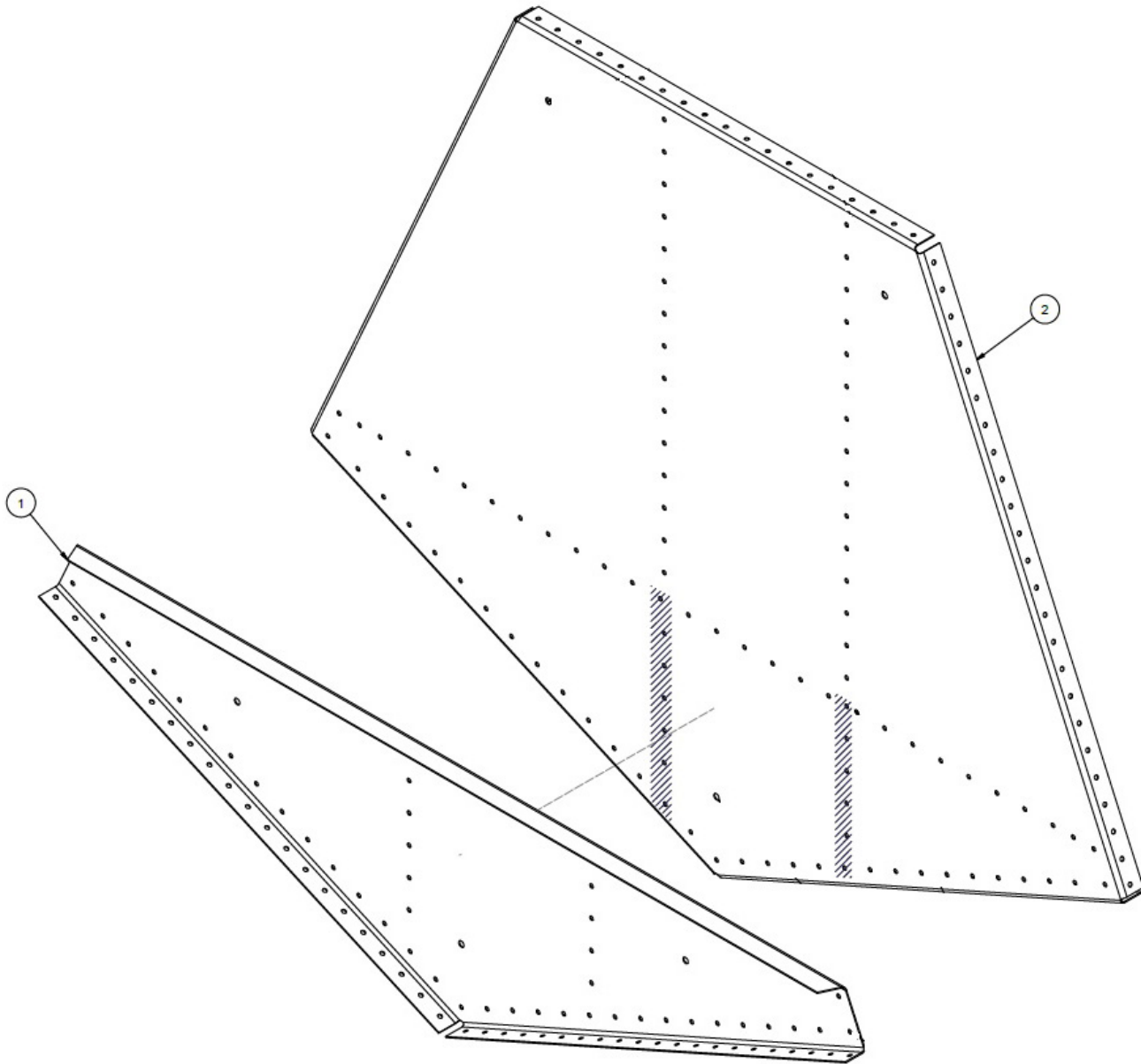
ITEM	QTY	PART NO.	PART DESCRIPTION
-	1	21A01000-252	ASSEMBLY, BULKHEAD #6
1	1	21A01158-189	BULKHEAD #6
2	1	21A01158-177	SUPPORT, BULKHEAD #6
3	1	MS35489-19	GROMMET, RUBBER

BULKHEAD #7 LEFT FLOAT



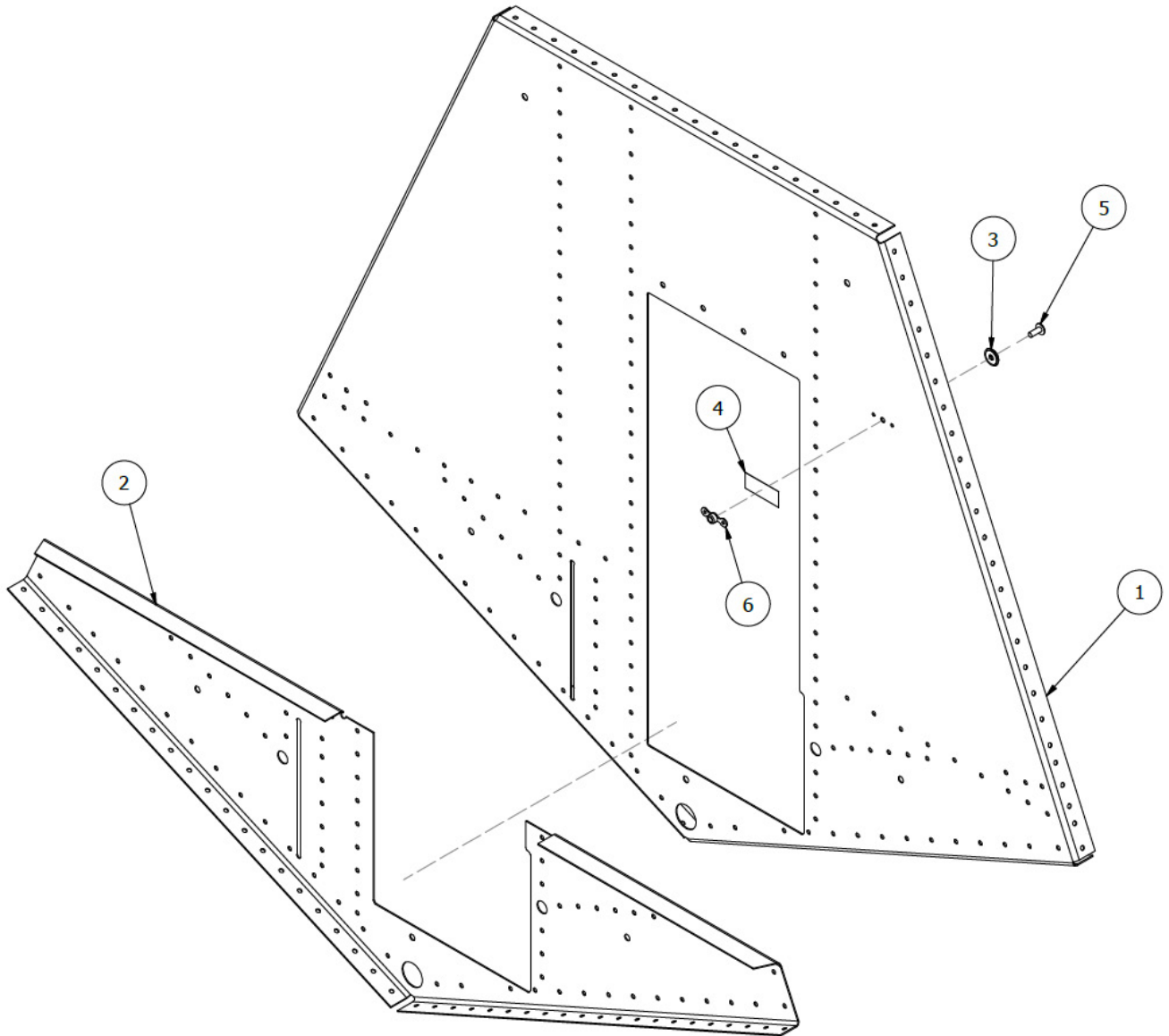
ITEM	QTY	PART NO.	PART DESCRIPTION
-	1	21A01000-267	ASSEMBLY, BULKHEAD #7, LH
1	1	21A01158-187	SUPPORT, BLKHD 7, RH, 2100
2	1	21A01158-181	BULKHEAD #7 - LH

BULKHEAD #7 RIGHT FLOAT



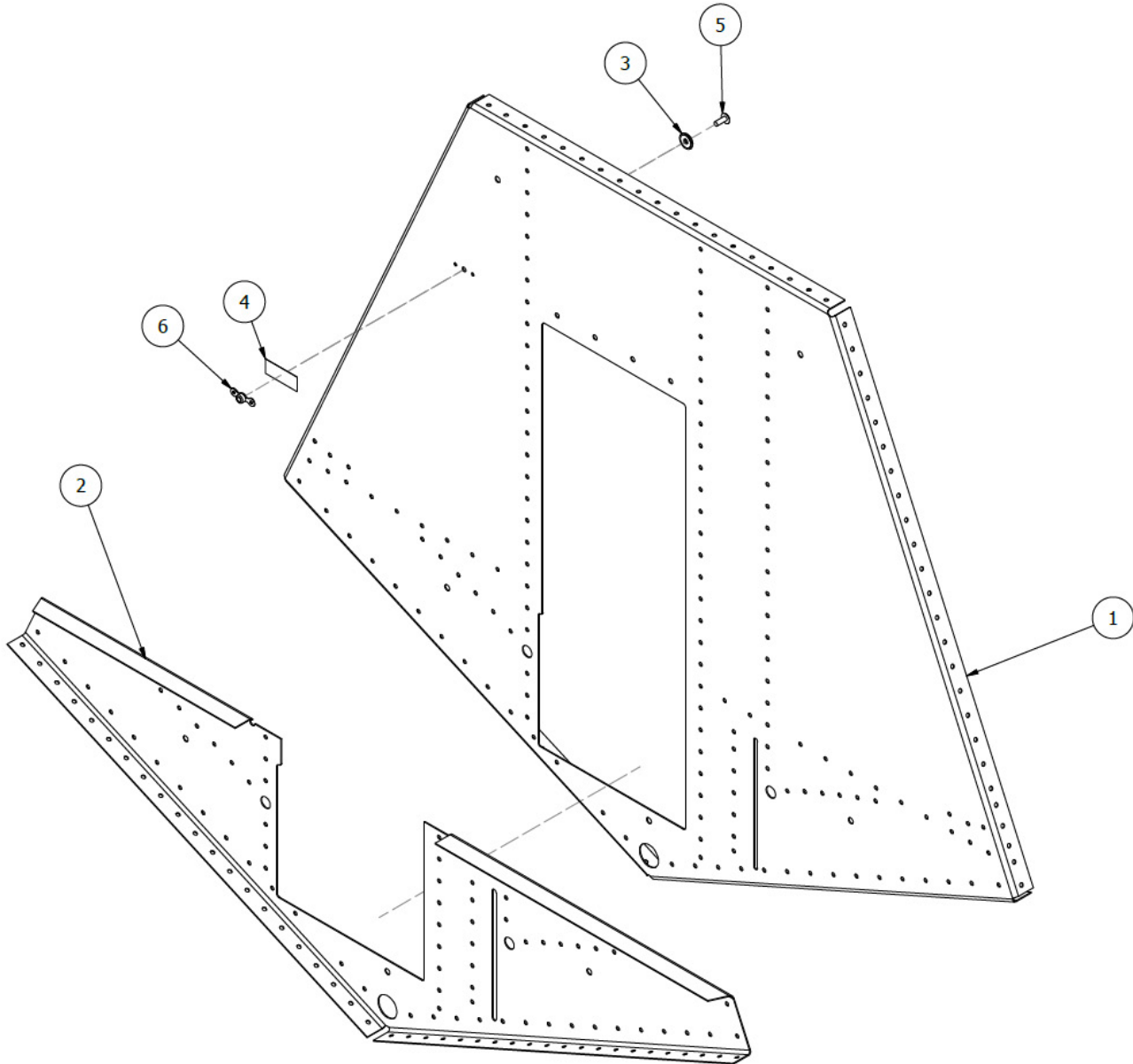
ITEM	QTY	PART NO.	PART DESCRIPTION
-	1	21A01000-266	ASSEMBLY, BULKHEAD #7, RH
1	1	21A01158-188	SUPPORT, BLKHD 7, LH, 2100
2	1	21A01158-182	BULKHEAD #7 - RH

BULKHEAD #8 LEFT FLOAT



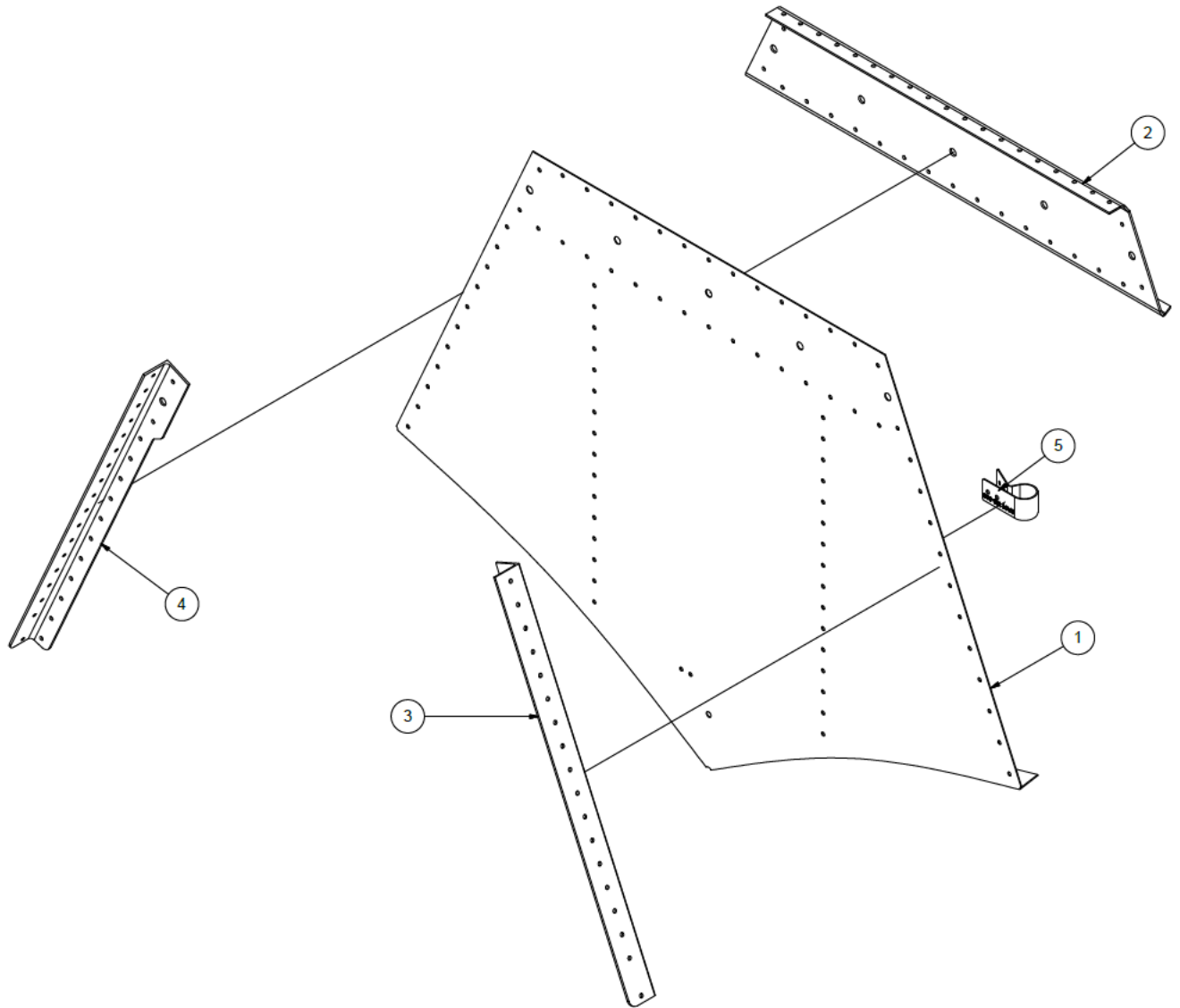
ITEM	QTY	PART NO.	PART DESCRIPTION
-	1	21A01000-263	ASSY, BULKHEAD #8, LH
1	1	21A01158-191	PANEL, BULKHEAD 8, LH
2	1	21A01158-193	SUPPORT - LH - BULKHEAD #8
3	1	94154A100	WASHER, STAINLESS STEEL W/PVC PLASTIC, SEALING
4	1.25 IN	9903-13-36	TAPE, TINNEMAN, 1/2"X.005"
5	1	AN526-632R6	SCREW, MACHINE, TRUSS HEAD
6	1	MS21047L06	NUT PLATE, FIXED, STEEL, PLAIN, 6-32

BULKHEAD #8 RIGHT FLOAT



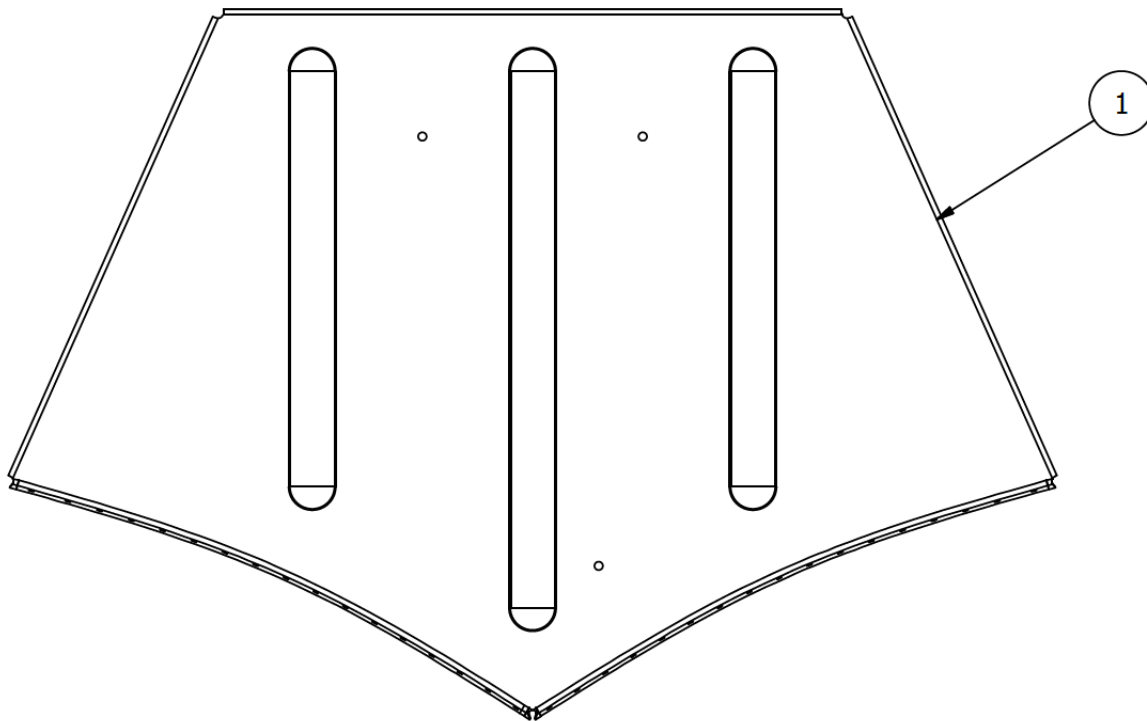
ITEM	QTY	PART NO.	PART DESCRIPTION
-	1	21A01000-264	ASSY, BULKHEAD #8, RH
1	1	21A01158-190	PANEL, BULKHEAD 8, RH
2	1	21A01158-192	SUPPORT - RH - BULKHEAD #8
3	1	94154A100	WASHER, STAINLESS STEEL W/PVC PLASTIC, SEALING
4	1.25 IN	9903-13-36	TAPE, TINNEMAN, 1/2"X.005"
5	1	AN526-632R6	SCREW, MACHINE, TRUSS HEAD
6	1	MS21047L06	NUT PLATE, FIXED, STEEL, PLAIN, 6-32

BULKHEAD #10



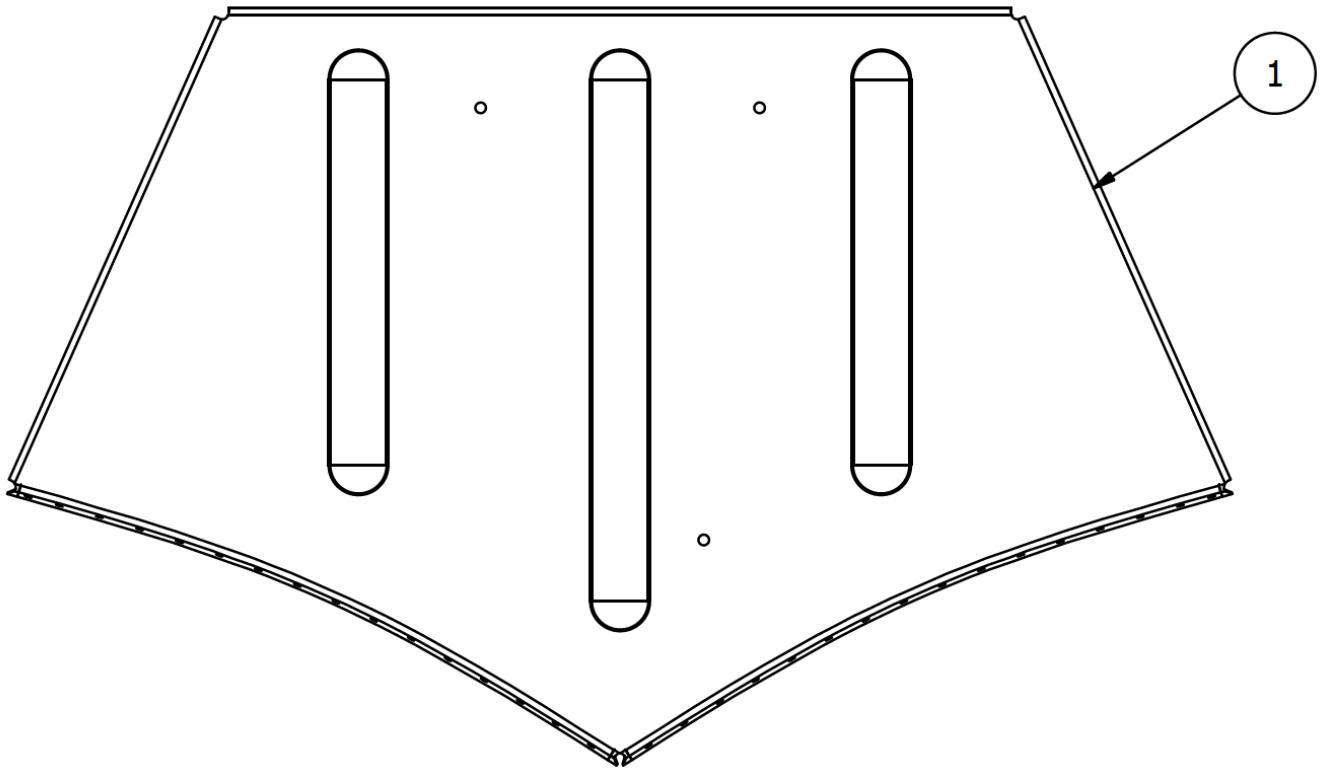
ITEM	QTY	PART NO.	PART DESCRIPTION
-	1	21A01000-262	ASSY, BLKHD 10
1	1	21A01158-169	BULKHEAD #10 - FORMED
2	1	21A01163-066	SPREADER BAR PANEL
3	1	21A01326-011	ANGLE, SIDE BAR, BULKHEAD #10, LF
4	1	21A01326-012	ANGLE, SIDE BAR, BULKHEAD #10, RT
5	1	3A01158-003	CLAMP, PUMP OUT TUBE

BULKHEAD #11



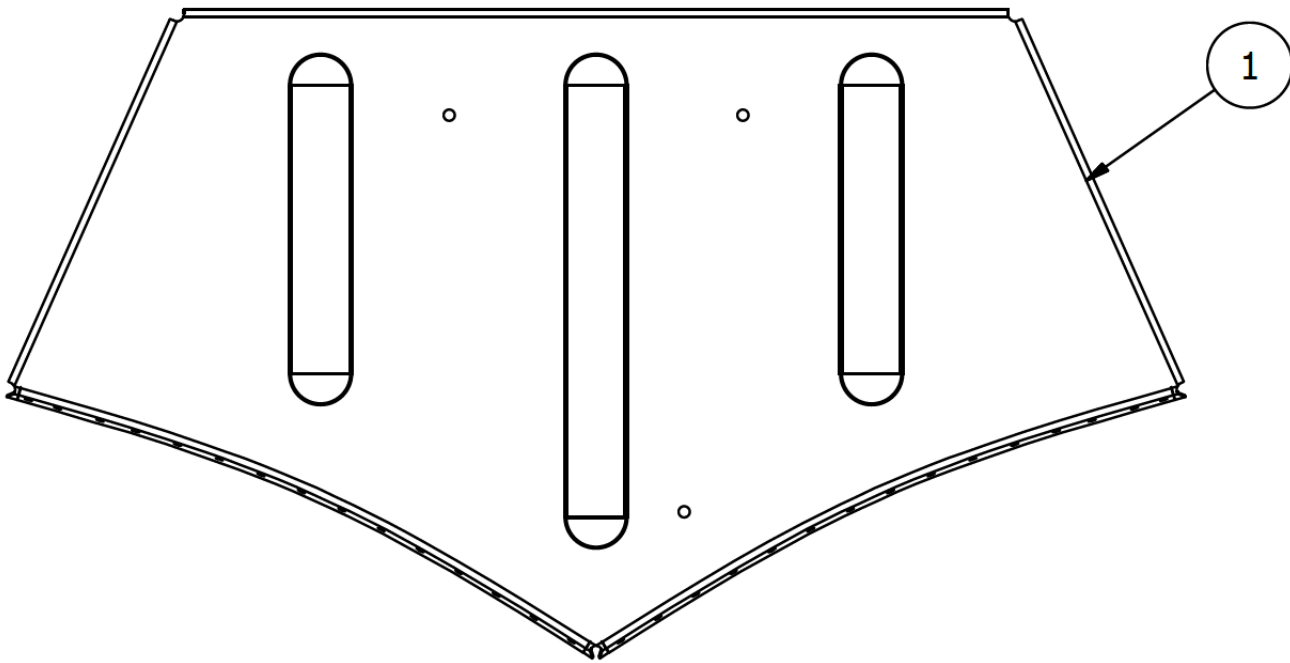
ITEM	QTY	PART NO.	PART DESCRIPTION
-	1	21A01000-395	BULKHEAD STN. #11 ASSY
1	1	21A01158-168	BULKHEAD #11 - FORMED

BULKHEAD #12



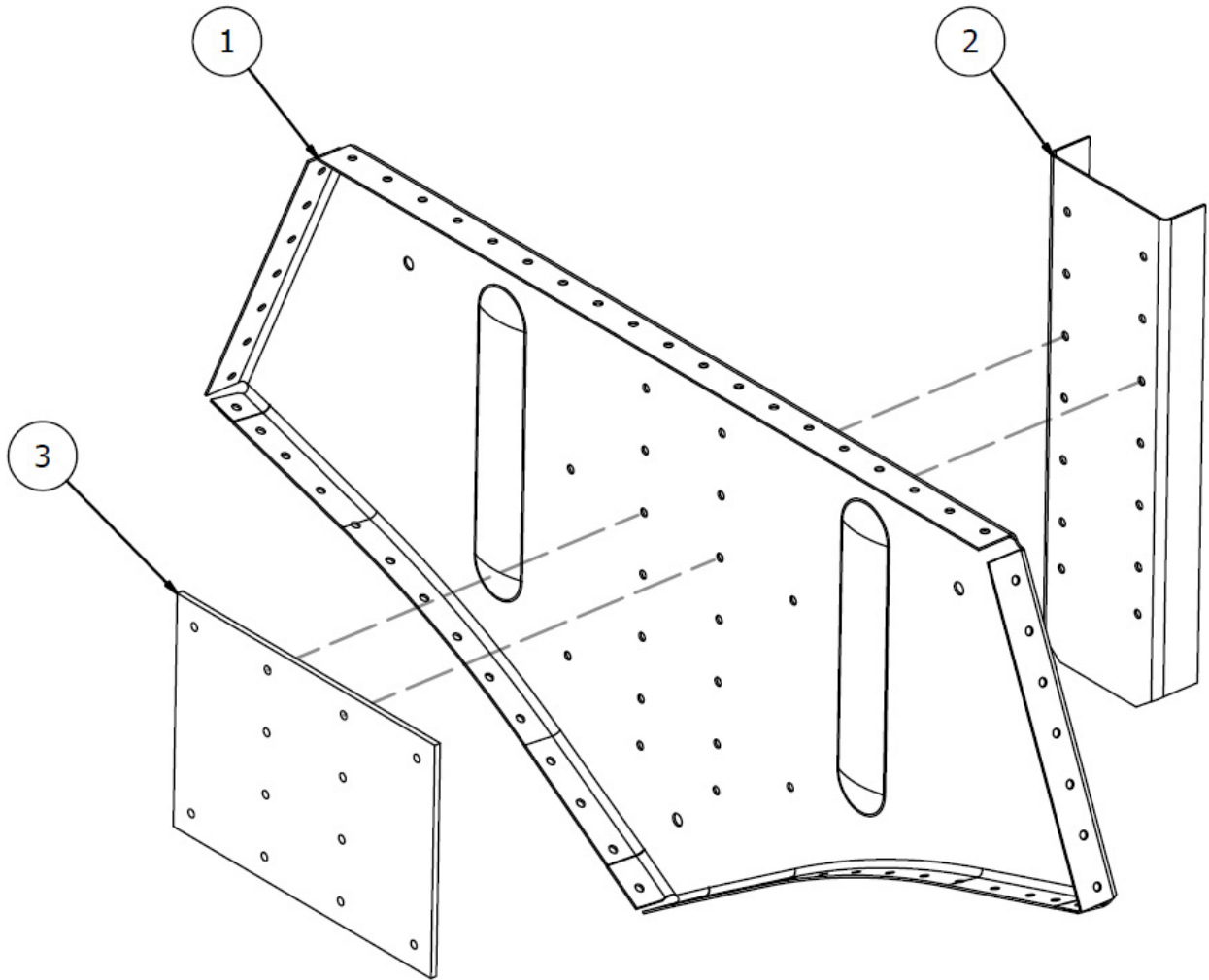
ITEM	QTY	PART NO.	PART DESCRIPTION
-	1	21A01000-396	ASSY, BULKHEAD #12
1	1	21A01158-167	BULKHEAD #12 - FORMED

BULKHEAD #13



ITEM	QTY	PART NO.	PART DESCRIPTION
-	1	21A01000-397	ASSEMBLY, BULKHEAD #13
1	1	21A01158-166	BULKHEAD #13 - FORMED

BULKHEAD #14



ITEM	QTY	PART NO.	PART DESCRIPTION
-	1	21A01000-250	ASSEMBLY, BULKHEAD 14
1	1	21A01158-164	PANEL, BULKHEAD 14, 2100
2	1	21A01158-165	CHANNEL, BULKHEAD 14, 2100
3	1	21A08156-130	PLATE - WATER RUDDER STOP

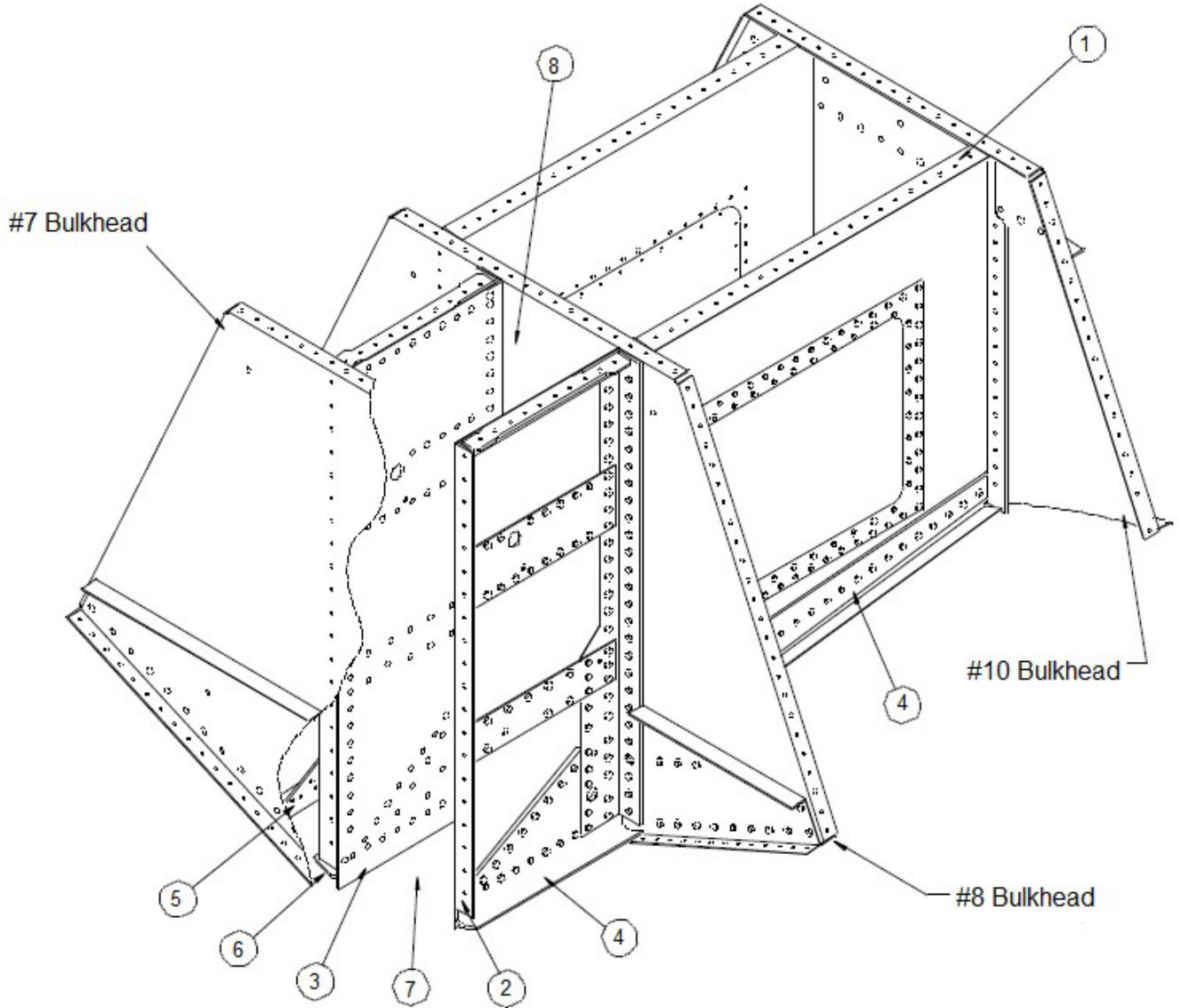
THIS PAGE INTENTIONALLY LEFT BLANK

SECTION 2 WHEEL WELL ASSEMBLY

CONTENTS

WHEEL WELL ASSEMBLY - AMPHIBIAN	32
---------------------------------------	----

WHEEL WELL ASSEMBLY - AMPHIBIAN



PARTS MANUAL
2100 FLOATS ON PIPER PA-18 & PA-12

ITEM	QTY	PART NO.	PART DESCRIPTION
1	1	21A01000-289	ASSY. – WHEEL WELL HALF L.
	1	21A01158-185	PANEL – FORMED L.
	1	13A01156-124	RING – COVER REINFORCEMENT
	1	21A01158-163	COVER, INSPECTION, WHEELWELL, LARGE
	28	AN526-632R6	SCREW TRUSS HEAD, NON STRUCTURAL CAD 1
	1	21A01000-290	ASSY. – WHEELWELL HALF R.
	1	21A01158-186	PANEL – FORMED R.
	1	13A01156-124	RING – COVER REINFORCEMENT
	1	21A01158-163	COVER, INSPECTION, WHEELWELL, LARGE
	28	AN526-632R6	SCREW TRUSS HEAD, NON STRUCTURAL CAD 1
2	1	21A01000-257	ASSY. – WHEEL WELL PANEL – OUTBR'D L.
	1	21A01000-256	ASSY. - WHEEL WELL PANEL – OUTBR'D R.
3	1	21A01000-255	ASSY. – WHEEL WELL PANEL – INBR'D L.
	1	21A01000-254	ASSY. - WHEEL WELL PANEL – INBR'D R.
4	1	21A01017-005	CARRY-THRU STRAP OUTBR'D L.
	1	21A01017-004	CARRY-THRU STRAP OUTBR'D R.
5	1	21A01017-003	CARRY-THRU STRAP INBR'D L.
	1	21A01017-002	CARRY-THRU STRAP INBR'D R.
6	1	21A01017-007	CARRY-THRU STRAP INBR'D L.
	1	21A01017-006	CARRY-THRU STRAP INBR'D R.
	1	21A01156-131	ANGLE – ATTACH AFT L.
	1	21A01156-132	ANGLE – ATTACH AFT R.
	1	21A01156-125	SPACER, CARRY THRU STRAP
	2	21A01326-015	ANGLE – ATTACH FWD
7	1	21A01000-398	SAND GUARD ASSY. (NOT SHOWN)
	1	21A01150-136	SAND GUARD (NOT SHOWN)
	4	AN526-1032R8	SCREW, TRUSS HEAD, NON STRUCTURAL, CAD 1, STEEL
	4	MS21078-3	NUT PLATE
8	1	21A01569-001	MUD FLAP (NOT SHOWN)
	1	21A01150-135	REINFORCEMENT

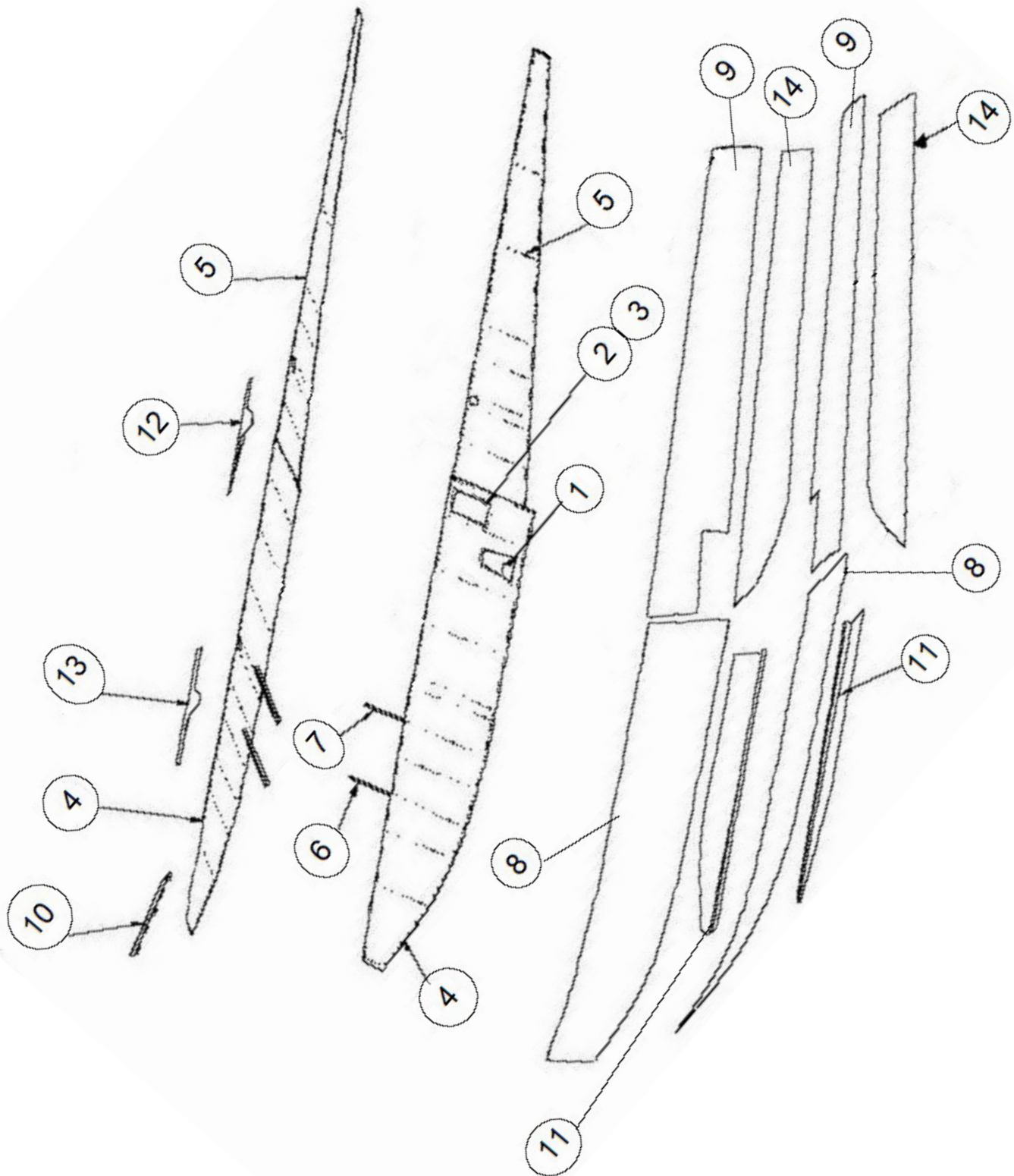
THIS PAGE INTENTIONALLY LEFT BLANK

SECTION 3 SKINS, STIFFENERS, & PADDLE

CONTENTS

SKINS & STIFFENERS - AMPHIBIAN	36
SKINS & STIFFENERS - SEAPLANE	39
BOTTOM SKIN ASSEMBLIES.....	41
LEFT BOTTOM SKIN & STIFFENERS	42
RIGHT BOTTOM SKIN & STIFFENERS.....	43
CANOE PADDLE	44

SKINS & STIFFENERS - AMPHIBIAN

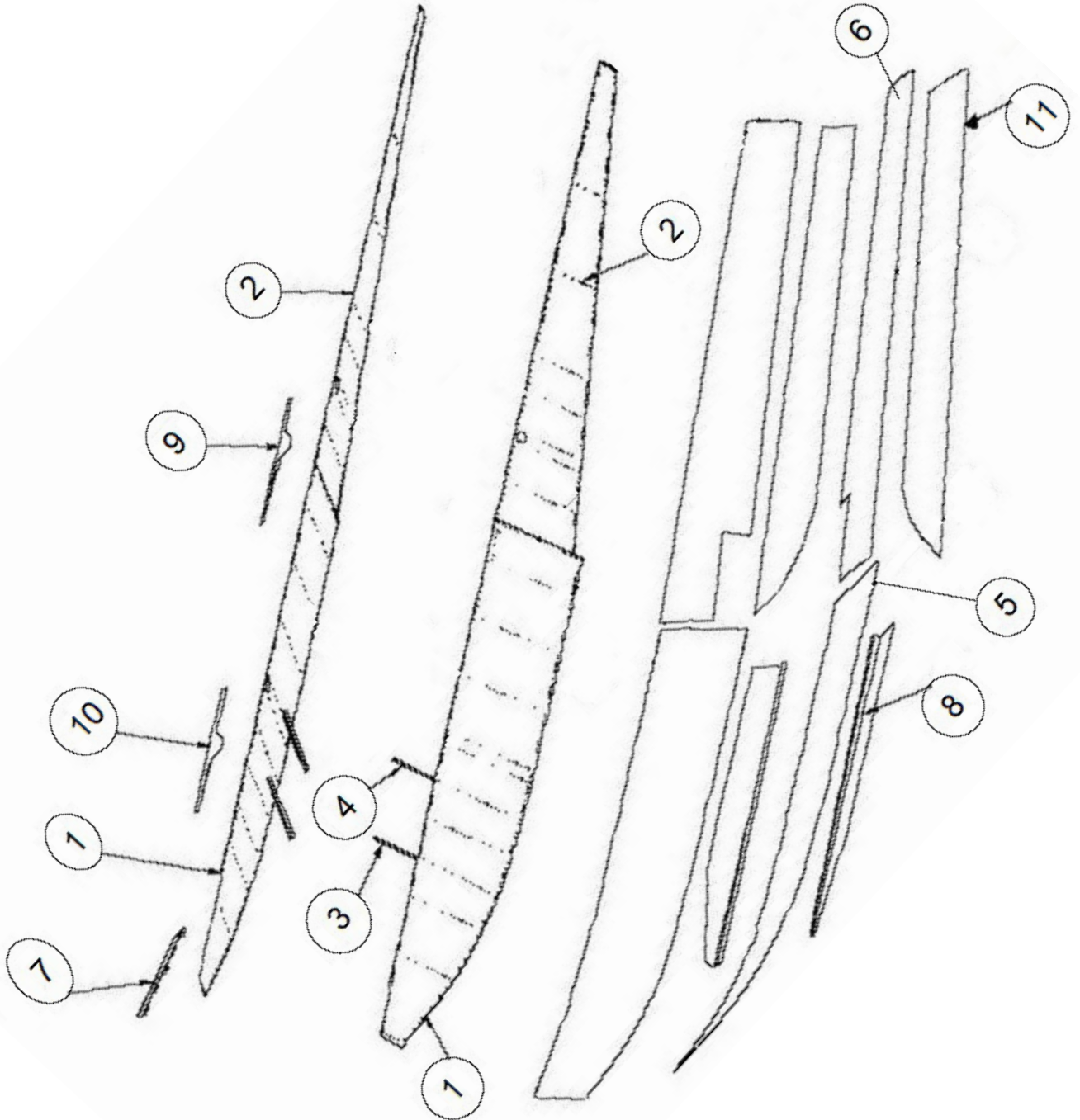


PARTS MANUAL
2100 FLOATS ON PIPER PA-18 & PA-12

ITEM	QTY	PART NO.	PART DESCRIPTION
1	1	3A01000-005	STEP – BOARDING
2	2	21A01156-126	REINFORCEMENT – COVER
3	2	21A01000-427	CONVER – INSP. ASSY.
	2	21A01004-101	COVER – INSP.
	2	21A01567-012	GASKET
	56	AN526-632R6	SCREW TRUSS HEAD, NON STRUCTURAL CAD 1
4	1	21A01004-093	SIDE SKIN – STEP TO BOW L. OUTBR'D
	1	21A01004-094	SIDE SKIN – STEP TO BOW R. OUTBR'D
	1	21A01004-095	SIDE SKIN – STEP TO BOW L. INBR'D
	1	21A01004-096	SIDE SKIN – STEP TO BOW R. INBR'D
5	1	21A01004-097	SIDE SKIN – STEP TO STERN L. OUTBR'D
	1	21A01004-098	SIDE SKIN – STEP TO STERN R. OUTBR'D
	1	21A01004-099	SIDE SKIN – STEP TO STERN L. INBR'D
	1	21A01004-100	SIDE SKIN – STEP TO STERN R. INBR'D
6	2	21A01340-105	STIFFENER – SIDE SKIN
7	2	21A01340-104	STIFFENER – SIDE SKIN
8	1	1011430	ASSEMBLY, SKIN, BOTTOM, FWD, LEFT, 2100
	1	1011410	SKIN, BOTTOM, LH, FWD 2100
	1	1011412	STIFFENER, BOTTOM SKIN, FWD
	1	1011413	STIFFENER, BOTTOM SKIN, FWD
	1	1011414	STIFFENER, BOTTOM SKIN, FWD
	1	1011416	STIFFENER, BOTTOM SKIN, FWD
	1	1011418	STIFFENER, BOTTOM SKIN, FWD
	3	1011420	STIFFENER, BOTTOM SKIN, FWD
	1	1011431	ASSEMBLY, SKIN, BOTTOM, FWD, RIGHT, 2100
	1	1011411	SKIN, BOTTOM, RH, FWD, 2100
	1	1011412	STIFFENER, BOTTOM SKIN, FWD
	1	1011413	STIFFENER, BOTTOM SKIN, FWD
	1	1011415	STIFFENER, BOTTOM SKIN, FWD
	1	1011417	STIFFENER, BOTTOM SKIN, FWD
	1	1011419	STIFFENER, BOTTOM SKIN, FWD
	3	1011421	STIFFENER, BOTTOM SKIN, FWD
9	1	21A01004-103	BOTTOM SKIN AFTERBODY L.
	1	21A01004-104	BOTTOM SKIN AFTERBODY R.
10	1	21A01000-275	ASSY. SPRAY RAIL R.
	1	21A01000-274	ASSY. SPRAY RAIL L.
11	1	21A01000-429	BOOSTER – SISTER KEEL L.
	1	21A01000-428	BOOSTER – SISTER KEEL R.
12	1	21A01162-033	DOUBLER – GUNWALL AFT L.
	1	21A01162-034	DOUBLER – GUNWALL AFT R.
13	1	21A01162-031	DOUBLER – GUNWALL FWD L.

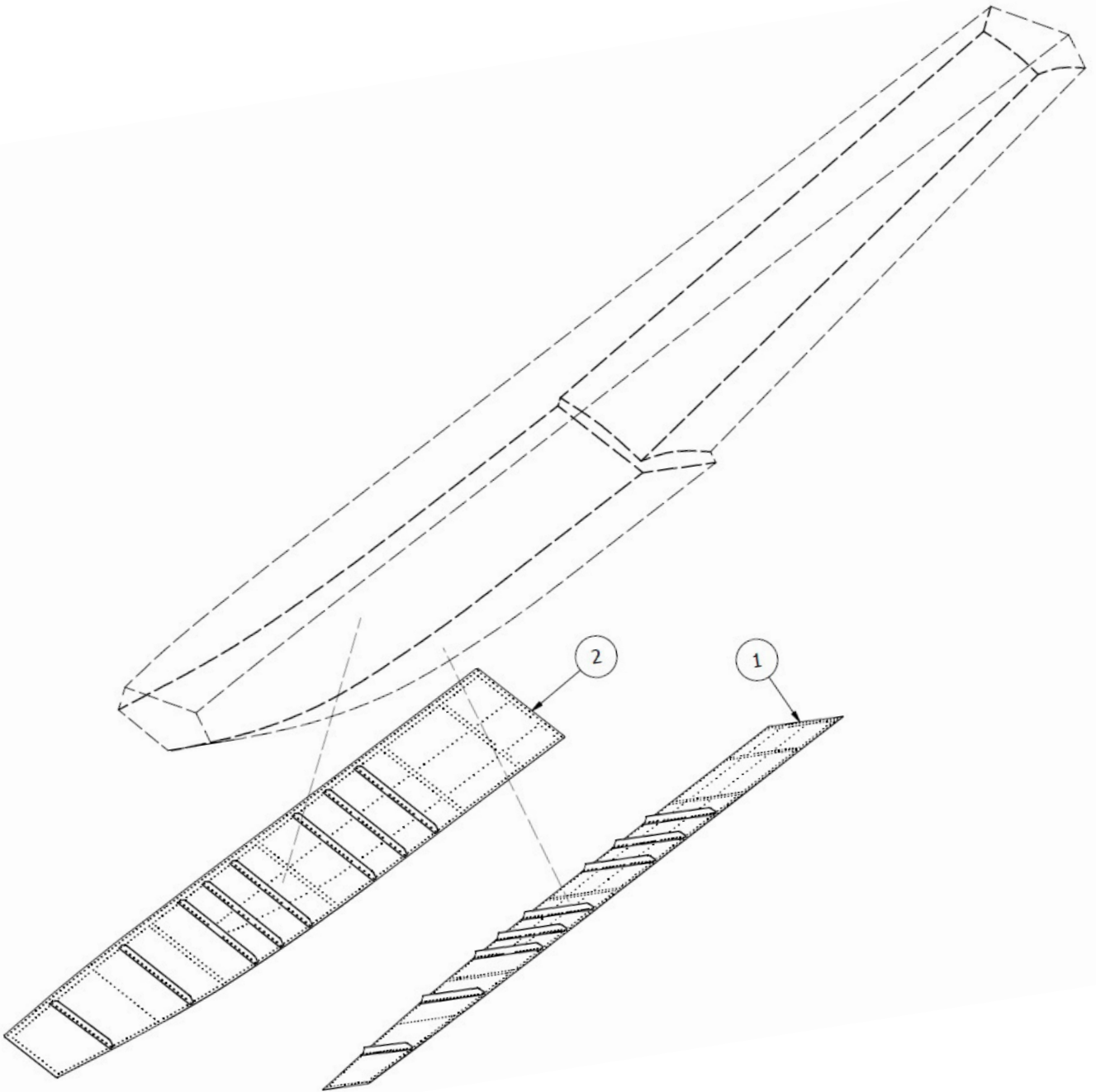
ITEM	QTY	PART NO.	PART DESCRIPTION
	1	21A01162-032	DOUBLER – GUNWALL FWD R.
14	1	1009422	SCALLOP, FOAM, RIGHT, 2100 S/N 21977 AND LATER
	1	1009424	SCALLOP, FOAM, LEFT, 2100 S/N 21977 AND LATER

SKINS & STIFFENERS - SEAPLANE



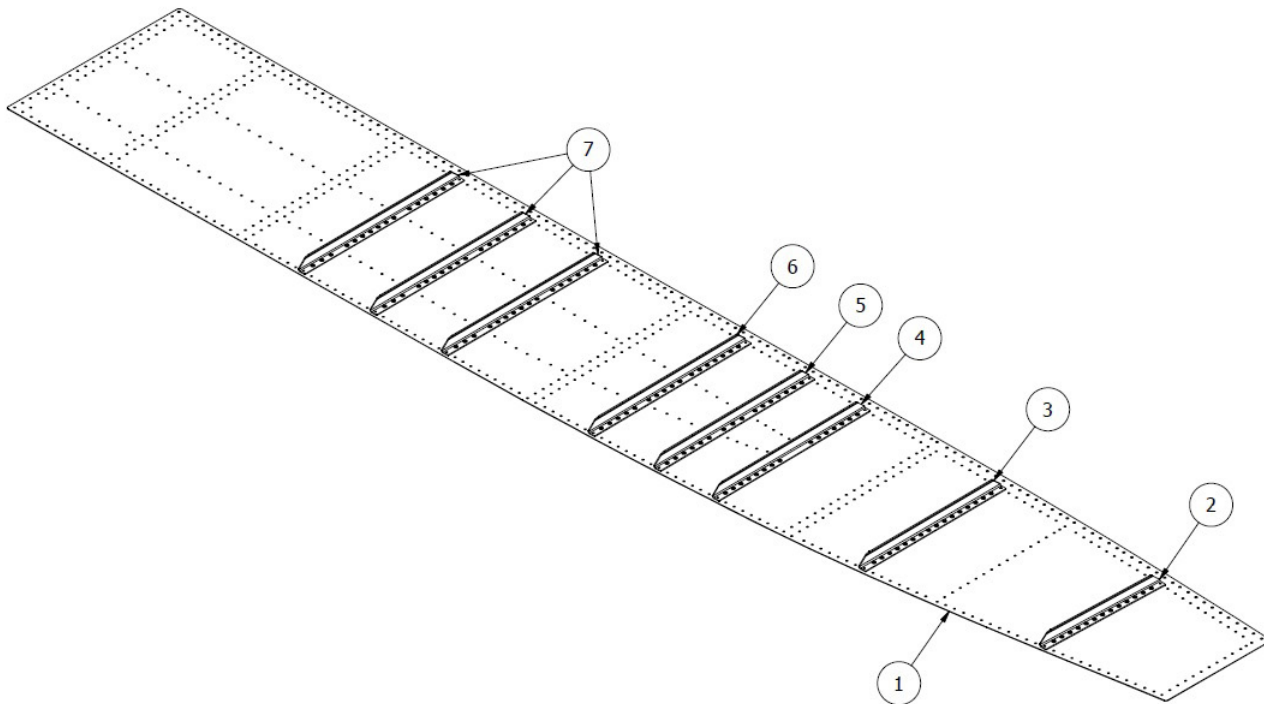
ITEM	QTY	PART NO.	PART DESCRIPTION
1	1	21S01004-123	SIDE SKIN – STEP TO BOW L. OUTBR'D
	1	21S01004-122	SIDE SKIN – STEP TO BOW R. OUTBR'D
	1	21S01004-125	SIDE SKIN – STEP TO BOW L. INBR'D
	1	21S01004-124	SIDE SKIN – STEP TO BOW R. INBR'D
2	1	21A01004-097	SIDE SKIN – STEP TO STERN L. OUTBR'D
	1	21A01004-098	SIDE SKIN – STEP TO STERN R. OUTBR'D
	1	21A01004-099	SIDE SKIN – STEP TO STERN L. INBR'D
	1	21A01004-100	SIDE SKIN – STEP TO STERN R. INBR'D
3	2	21A01340-105	STIFFENER – SIDE SKIN
4	2	21A01340-104	STIFFENER – SIDE SKIN
5	1	1011430	ASSEMBLY, SKIN, BOTTOM, FWD, LEFT, 2100
	1	1011410	SKIN, BOTTOM, LH, FWD 2100
	1	1011412	STIFFENER, BOTTOM SKIN, FWD
	1	1011413	STIFFENER, BOTTOM SKIN, FWD
	1	1011414	STIFFENER, BOTTOM SKIN, FWD
	1	1011416	STIFFENER, BOTTOM SKIN, FWD
	1	1011418	STIFFENER, BOTTOM SKIN, FWD
	3	1011420	STIFFENER, BOTTOM SKIN, FWD
	1	1011431	ASSEMBLY, SKIN, BOTTOM, FWD, RIGHT, 2100
	1	1011411	SKIN, BOTTOM, RH, FWD, 2100
	1	1011412	STIFFENER, BOTTOM SKIN, FWD
	1	1011413	STIFFENER, BOTTOM SKIN, FWD
	1	1011415	STIFFENER, BOTTOM SKIN, FWD
	1	1011417	STIFFENER, BOTTOM SKIN, FWD
	1	1011419	STIFFENER, BOTTOM SKIN, FWD
	3	1011421	STIFFENER, BOTTOM SKIN, FWD
6	1	21S01004-131	BOTTOM SKIN AFTERBODY L.
	1	21S01004-130	BOTTOM SKIN AFTERBODY R.
7	1	21A01000-275	ASSY. SPRAY RAIL R.
	1	21A01000-274	ASSY. SPRAY RAIL L.
8	1	21A01000-429	BOOSTER – SISTER KEEL L.
	1	21A01000-428	BOOSTER – SISTER KEEL R.
9	1	21A01162-033	DOUBLER – GUNWALL AFT L.
	1	21A01162-034	DOUBLER – GUNWALL AFT R.
10	1	21A01162-031	DOUBLER – GUNWALL FWD L.
	1	21A01162-032	DOUBLER – GUNWALL FWD R.
11	1	1009422	SCALLOP, FOAM, RIGHT, 2100 S/N 21977 AND LATER
	1	1009424	SCALLOP, FOAM, LEFT, 2100 S/N 21977 AND LATER

BOTTOM SKIN ASSEMBLIES



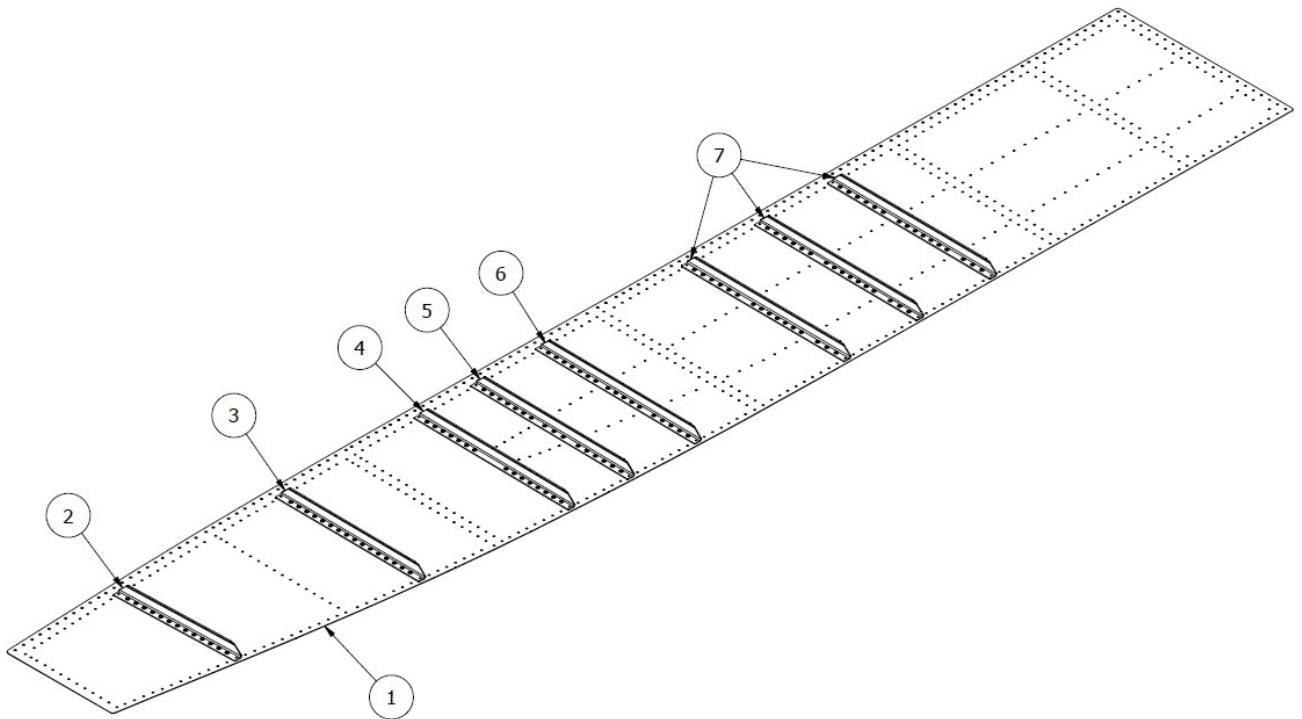
ITEM	QTY	PART NO.	PART DESCRIPTION
1	1	1011430	ASSEMBLY, SKIN, BOTTOM, FWD, LEFT, 2100
2	1	1011431	ASSEMBLY, SKIN, BOTTOM, FWD, RIGHT, 2100

LEFT BOTTOM SKIN & STIFFENERS



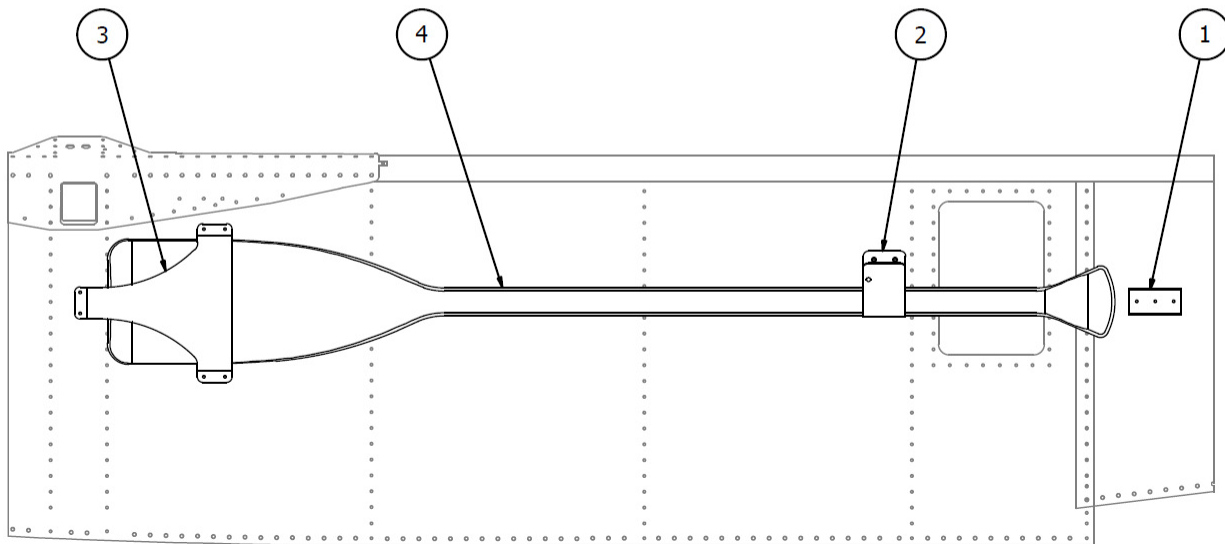
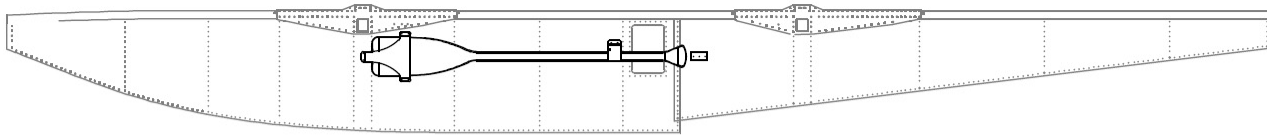
ITEM	QTY	PART NO.	PART DESCRIPTION
1	1	1011410	SKIN, BOTTOM, LH, FWD 2100
2	1	1011412	STIFFENER, BOTTOM SKIN, FWD
3	1	1011413	STIFFENER, BOTTOM SKIN, FWD
4	1	1011414	STIFFENER, BOTTOM SKIN, FWD
5	1	1011416	STIFFENER, BOTTOM SKIN, FWD
6	1	1011418	STIFFENER, BOTTOM SKIN, FWD
7	3	1011420	STIFFENER, BOTTOM SKIN, FWD

RIGHT BOTTOM SKIN & STIFFENERS



ITEM	QTY	PART NO.	PART DESCRIPTION
1	1	1011411	SKIN, BOTTOM, RH, FWD, 2100
2	1	1011412	STIFFENER, BOTTOM SKIN, FWD
3	1	1011413	STIFFENER, BOTTOM SKIN, FWD
4	1	1011415	STIFFENER, BOTTOM SKIN, FWD
5	1	1011417	STIFFENER, BOTTOM SKIN, FWD
6	1	1011419	STIFFENER, BOTTOM SKIN, FWD
7	3	1011421	STIFFENER, BOTTOM SKIN, FWD

CANOE PADDLE



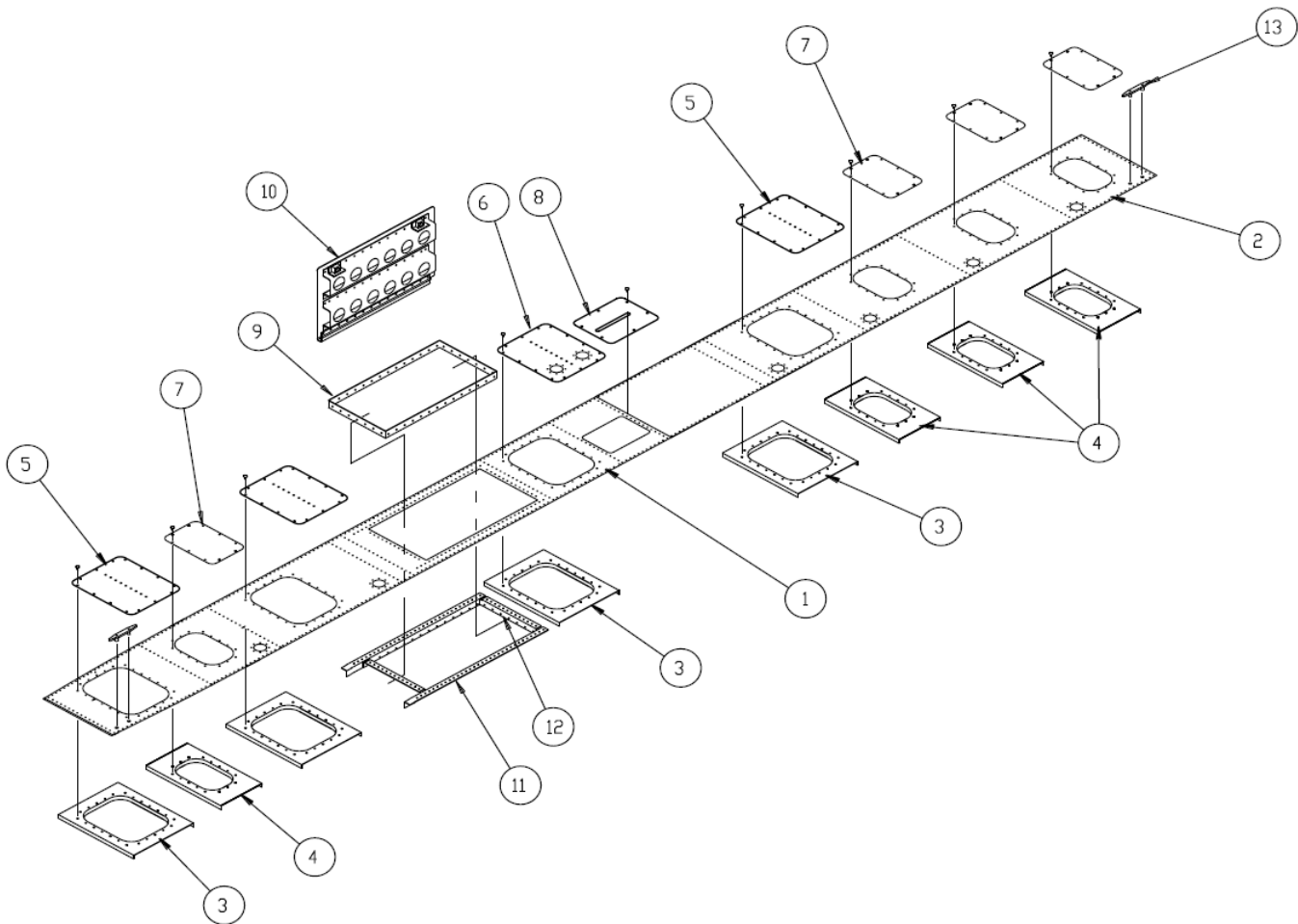
ITEM	QTY	PART NO.	PART DESCRIPTION
1	1	1005676	BRACKET, CANOE PADDLE STOP
2	1	1005677	CLIP, MOUNTING, CANOE PADDLE
3	1	1005678	BRACKET, CANOE PADDLE
4	1	1012326	CANOE PADDLE, 4.0 FT

SECTION 4 TOP DECK ASSEMBLY

CONTENTS

TOP DECK - AMPHIBIAN	46
TOP DECK - SEAPLANE	49

TOP DECK - AMPHIBIAN

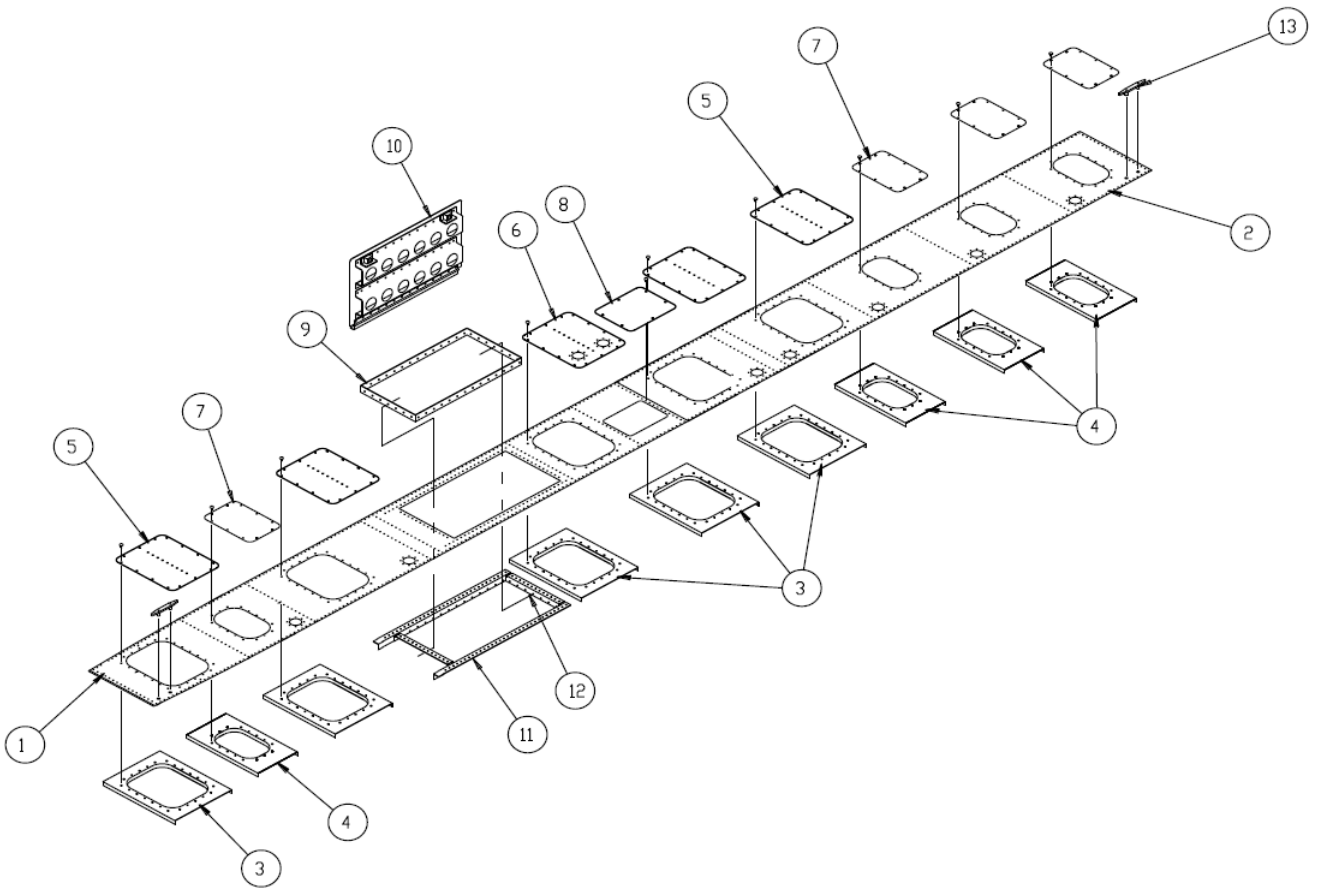


PARTS MANUAL
2100 FLOATS ON PIPER PA-18 & PA-12

ITEM	QTY	PART NO.	PART DESCRIPTION
1	1	21A01004-091	SKIN – FWD SECTION L.
	1	21A01004-092	SKIN – FWD SECTION R.
2	1	21A01004-089	SKIN – AFT SECTION L.
	1	21A01004-090	SKIN – AFT SECTION R.
3	4	21A01002-130	SUPPORT – INSP. COVER - LARGE
	A/R	1002481	TINNERMAN WITH TAPE
4	4	21A01002-131	SUPPORT – INSP. COVER – SMALL
	A/R	1002481	TINNERMAN WITH TAPE
5	3	21A01000-258	INSP. COVER ASSY– LARGE – W/ ANGLE & GASKET
	A/R	SS TATP 8 X 5/8	SCREW – ATTACH
	3	1001437	SEAL – GASKET ONLY (FORMED COVER)
	3	21A01567-001	SEAL – GASKET ONLY (FLAT COVER)
6	1	21A01000-273	INSP. COVER ASSY, LARGE, W/ ANGLE (2 CUPS) & GASKET
	A/R	SS TATP 8 X 5/8	SCREW – ATTACH
	3	1001437	SEAL – GASKET ONLY (FORMED COVER)
	3	21A01567-001	SEAL – GASKET ONLY (FLAT COVER)
7	4	21A01000-284	INSP. COVER ASSY - SMALL
	A/R	SS TATP 8 X 5/8	SCREW – ATTACH
	3	1001437	SEAL – GASKET ONLY (FORMED COVER)
	3	21A01567-002	SEAL – GASKET ONLY (FLAT COVER)
8	1	21A01002-137	COVER – GEAR INDICATOR L.
	1	21A01002-138	COVER – GEAR INDICATOR R.
	1	10A3-6338-1	PLACARD – DOWN - LAND
	1	10A3-6338-2	PLACARD – UP - WATER
	4	2600-3	SCREW – CAM - LOK
	2	1126000-5	SCREW – CAM – LOK
	6	212-12N	RECEPTACLE – CAM – LOK
9	1	21A01150-131	JAMB – BAGGAGE DOOR
	1	1002067	BAGGAGE JAMB, HINGE SIDE
10	1	21A01000-268	ASSY – BAGGAGE DOOR
	1	21A01162-035	COVER - SKIN
	1	21A01740-008	HINGE, BAGGAGE COVER, 1.5
	1	21A01741-004	HINGE, BAGGAGE COVER, 3/4
	2	21A01010-012	STIFFENER - DOOR
	2	21A01004-106	STIFFENER ENDS
	2	3A01206-001	RETAINER - LOCK
	2	3A01273-004	LOCK PIN
	2	3A01702-001	CATCH – LATCH
	2	3A01525-003	LOCK SPRING
	2	1002663	RING – OPENING
	1	1001438	SEAL – GASKET (NOT SHOWN)

ITEM	QTY	PART NO.	PART DESCRIPTION
	1	1002186	HINGE PIN
	12	01692-0410	RIVET POP
	2	10/32 X 1/2 SS	BOLT
11	1	21A01326-003	TOP RAIL – BAGGAGE OPENING L.
	1	21A01326-002	TOP RAIL – BAGGAGE OPENING R.
12	2	21A01326-004	JAMB – BAGGAGE DOOR
13	2	21A01203-001	CLEAT – TIE DOWN
	4	21A01280-004	BUSHING
	4	AN525-10R24	SCREW, HEAD, 10-32 THREAD, 1-3/32" GRIP, 1-1/2" LENGTH
	4	MS21044N3	NUT, LOCKING, REGULAR HEIGHT, 10-32 UNF
	4	NAS1149D0363J	WASHER, 0.203 ID, 0.063 THK, ALUMINUM

TOP DECK - SEAPLANE



ITEM	QTY	PART NO.	PART DESCRIPTION
1	1	21S01004-135	SKIN – FWD SECTION L.
	1	21S01004-134	SKIN – FWD SECTION R.
2	1	21S01004-137	SKIN – AFT SECTION L.
	1	21S01004-136	SKIN – AFT SECTION R.
3	4	21A01002-130	SUPPORT – INSP. COVER - LARGE
	A/R	1002481	TINNERMAN WITH TAPE
4	5	21A01002-131	SUPPORT – INSP. COVER – SMALL
	A/R	1002481	TINNERMAN WITH TAPE
5	4	21A01000-258	INSP. COVER ASSY – LARGE – W/ ANGLE & GASKET
	A/R	SS TATP 8 X 5/8	SCREW – ATTACH
	3	1001437	SEAL – GASKET ONLY (FORMED COVER)
	3	21A01567-001	SEAL – GASKET ONLY (FLAT COVER)
6	1	2A01000-273	INSP. COVER – LARGE – ANGLE (2 CUPS) & GASKET
	A/R	SS TATP 8 X 5/8	SCREW – ATTACH
	3	1001437	SEAL – GASKET ONLY (FORMED COVER)
	3	21A01567-001	SEAL – GASKET ONLY (FLAT COVER)
7	4	21A01000-284	INSP. COVER ASSY- SMALL & GASKET
	A/R	SS TATP 8 X 5/8	SCREW – ATTACH
	4	1001728	SEAL – GASKET ONLY (FORMED COVER)
	3	21A01567-002	SEAL – GASKET ONLY (FLAT COVER)
8	1	21S01000-399	COVER ASSY & GASKET
	1	1002110	SEAL – GASKET ONLY
	A/R	SS TATP 8 X 5/8	SCREW – ATTACH
	A/R	9A3-671	NUT – TINNERMAN
	2	30S01326-035	STIFFENER – ANGLE
9	1	21A01150-131	JAMB – BAGGAGE DOOR
	1	101438	SEAL – GASKET (NOT SHOWN)
	1	1002067	JAMB – HINGE SIDE
10	1	21A01000-268	ASSY – BAGGAGE DOOR
	1	21A01162-035	COVER - SKIN
	1	21A01741-004	HINGE, BAGGAGE COVER, 3/4
	2	21A01010-012	STIFFENER - DOOR
	2	21A01004-106	STIFFENER ENDS
	2	3A01206-001	RETAINER - LOCK
	2	3A01273-004	LOCK PIN
	2	3A01702-001	CATCH – LATCH
	2	3A01525-003	LOCK SPRING
	2	9-0177A221	RING – OPENING
	1	101438	SEAL – GASKET (NOT SHOWN)
11	1	21A01326-003	TOP RAIL – BAGGAGE OPENING L.
	1	21A01326-002	TOP RAIL – BAGGAGE OPENING R.

PARTS MANUAL
 2100 FLOATS ON PIPER PA-18 & PA-12

ITEM	QTY	PART NO.	PART DESCRIPTION
12	2	21A01326-004	JAMB – BAGGAGE DOOR
13	2	21A01203-001	CLEAT – TIE DOWN
	4	21A01280-004	BUSHING
	4	AN525-10R24	SCREW, HEAD, 10-32 THREAD, 1-3/32" GRIP, 1-1/2" LENGTH
	4	MS21044N3	NUT, LOCKING, REGULAR HEIGHT, 10-32 UNF
	4	NAS1149D0363J	WASHER, 0.203 ID, 0.063 THK, ALUMINUM

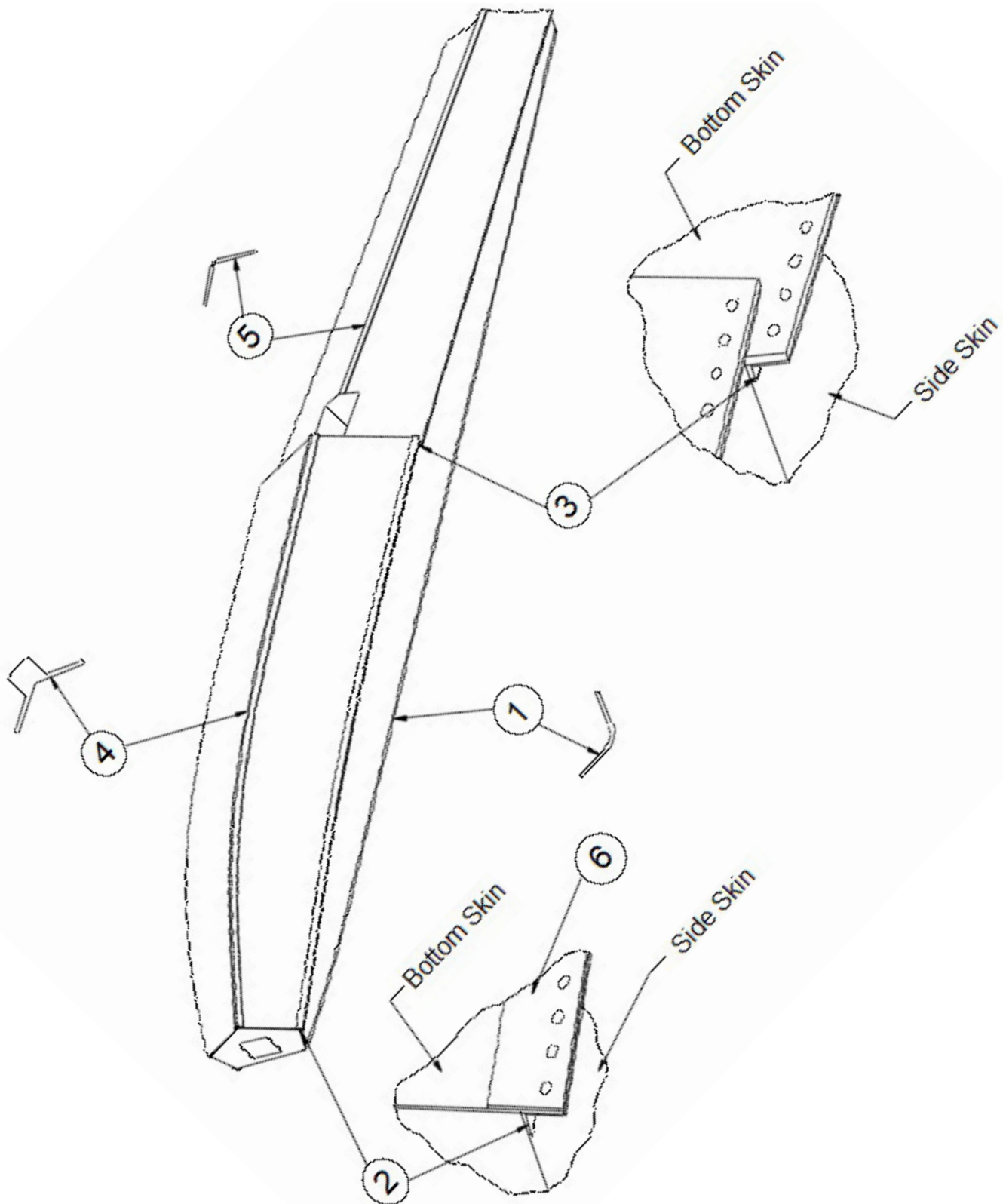
THIS PAGE INTENTIONALLY LEFT BLANK

SECTION 5 EXTRUSIONS

CONTENTS

HULL EXTRUSIONS - AMPHIBIAN	54
HULL EXTRUSIONS - SEAPLANE	56

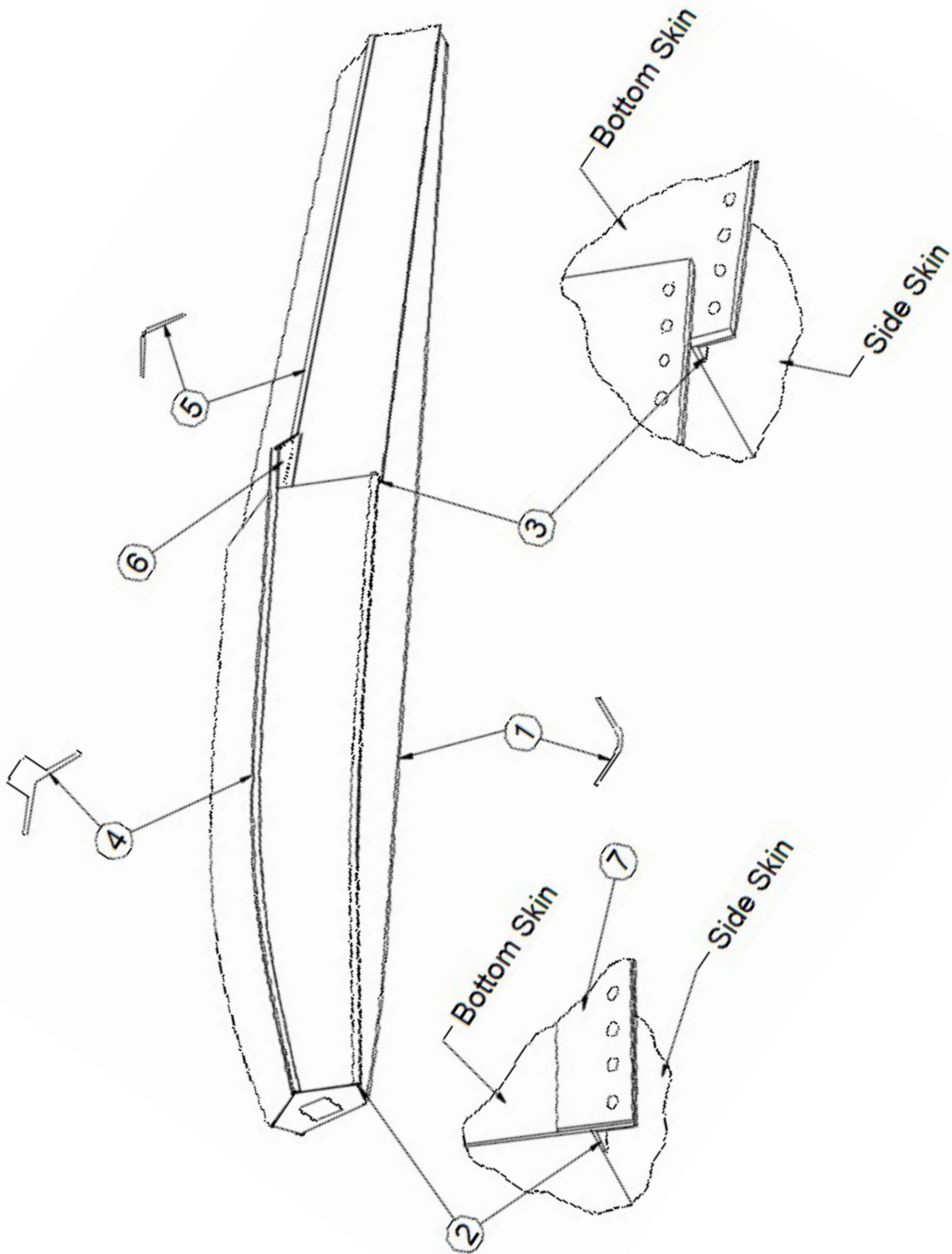
HULL EXTRUSIONS - AMPHIBIAN



PARTS MANUAL
 2100 FLOATS ON PIPER PA-18 & PA-12

ITEM	QTY	PART NO.	PART DESCRIPTION
1	1	21A01324-001	GUNWALL – L.
	1	21A01324-002	GUNWALL – R.
2	1	21A01340-109	CHINE - FWD L.
	1	21A01340-108	CHINE – FWD R.
3	1	21A01340-107	CHINE – AFTERBODY L.
	1	21A01340-106	CHINE – AFTERBODY R.
4	1	21A01321-001	KEEL - MAIN
5	1	21A01008-142	KEEL - AFTERBODY
6	1	21A01005-267	STRAP, CHINE, L.
	1	21A01005-268	STRAP, CHINE, R.

HULL EXTRUSIONS - SEAPLANE



PARTS MANUAL
2100 FLOATS ON PIPER PA-18 & PA-12

ITEM	QTY	PART NO.	PART DESCRIPTION
1	1	21A01324-001	GUNWALL – L.
	1	21A01324-002	GUNWALL – R.
2	1	21A01340-109	CHINE - FWD L.
	1	21A01340-108	CHINE – FWD R.
3	1	21A01340-107	CHINE – AFTERBODY L.
	1	21A01340-106	CHINE – AFTERBODY R.
4	1	21S01321-004	KEEL - MAIN
5	1	21S01008-172	KEEL - AFTERBODY
6	1	21S01000-400	AFTERBODY GUSSET ASSY.
	1	21S01163-037	ANGLE SUPPORT – AFTERBODY L.
	1	21S01163-038	ANGLE SUPPORT – AFTERBODY R.
7	1	21A01005-267	STRAP, CHINE, L.
	1	21A01005-268	STRAP, CHINE, R.

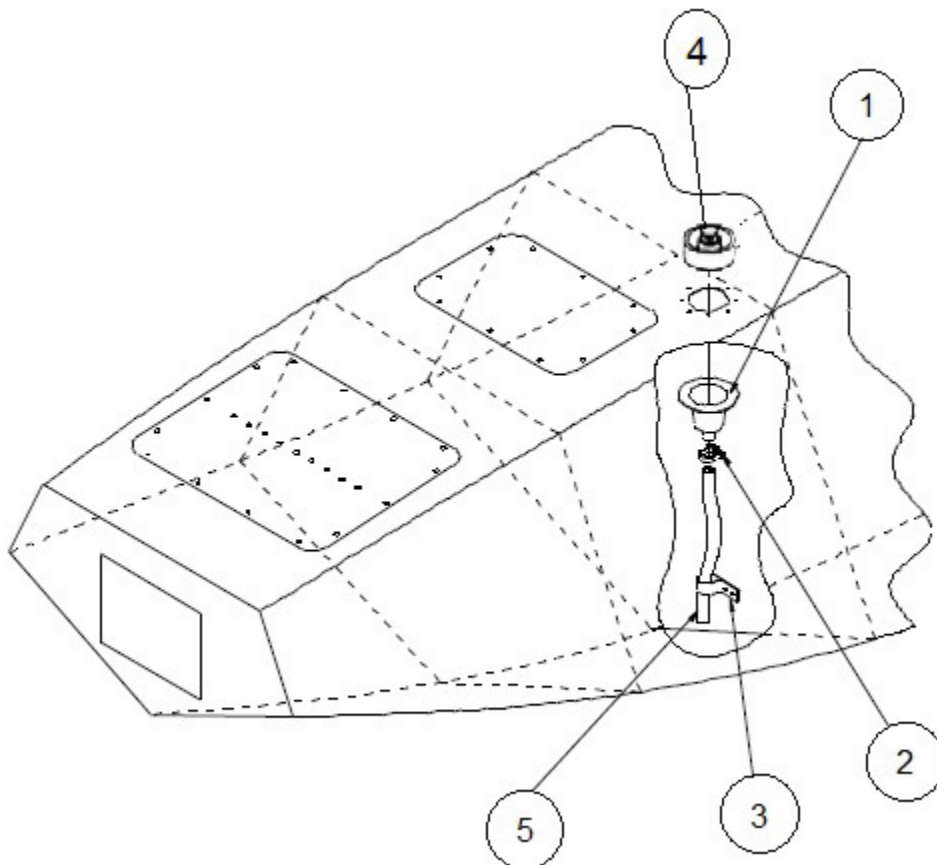
THIS PAGE INTENTIONALLY LEFT BLANK

SECTION 6 PUMPER TUBE INSTALLATION

CONTENTS

PUMPER TUBE	60
-------------------	----

PUMPER TUBE



ITEM	QTY	PART NO.	PART DESCRIPTION
1	1	1011004	ASSEMBLY, CUP, PUMPOUT, DUCKBILL
	1	4A01749-001	CUP – PUMPOUT ALUM.
	1	1011808	RETAINER, VALVE, DUCKBILL, PUMPOUT PLUG
2	1	57134	CLAMP – UPPER END
3	1	3A01158-003	CLAMP – LOWER END
4	1	1011870	VALVE, DUCKBILL (NEW VERSION)
	1	2111	STOPPER – PUMPER TUBE
5	1	21A01618-062	PUMPOUT TUBE 10.5 IN.
	1	21A01648-061	PUMPOUT TUBE 12.5 IN.
	1	21A01648-060	PUMPOUT TUBE 15.0 IN.
	1	21A01618-059	PUMPOUT TUBE 17.5 IN.
	1	21A01648-058	PUMPOUT TUBE 23.0 IN.
	1	21A01648-056	PUMPOUT TUBE 21.5 IN.
	1	21A01648-055	PUMPOUT TUBE 18.5 IN.

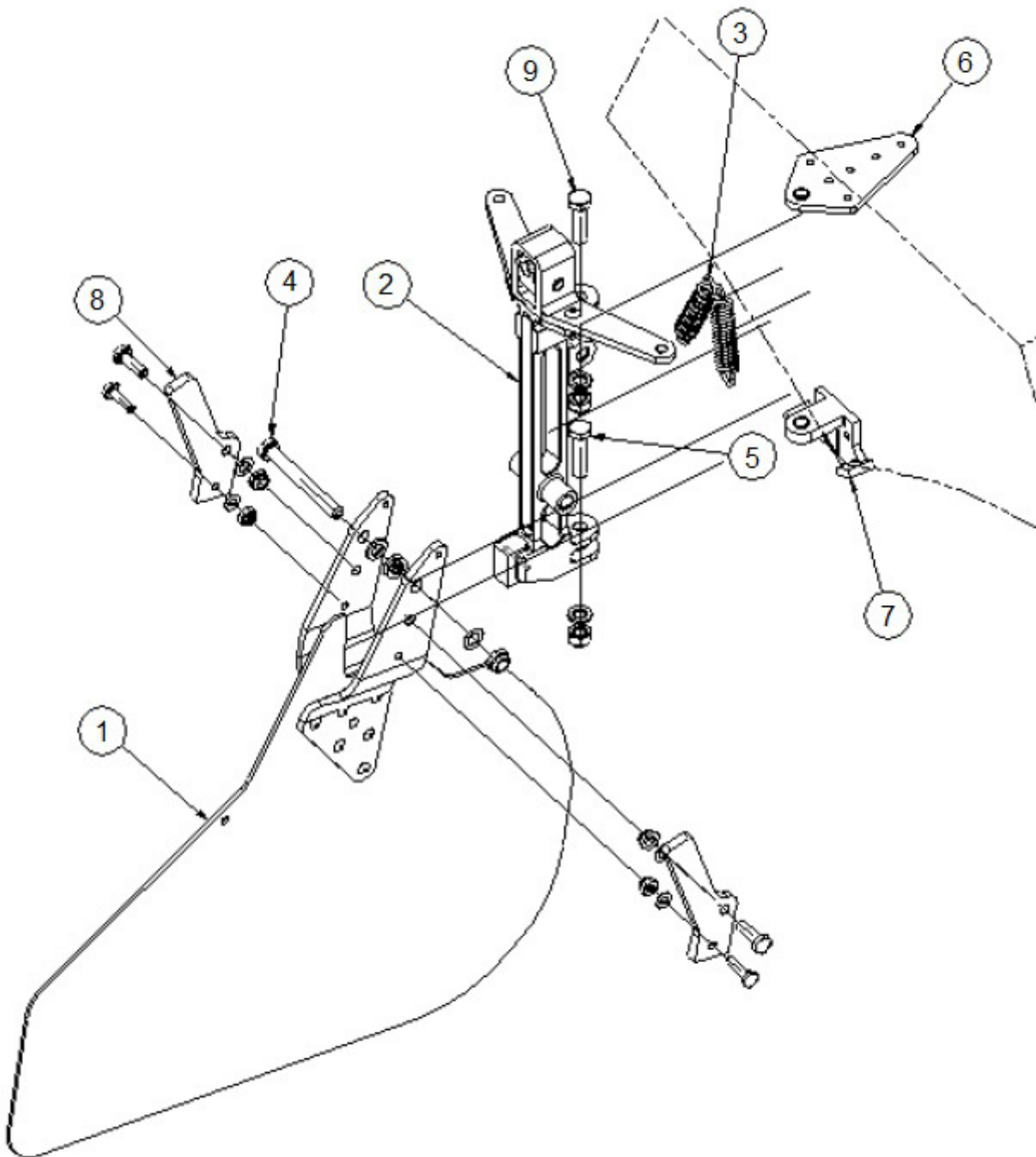
SECTION 7

WATER RUDDER AND STEERING & RETRACT SYSTEM

CONTENTS

WATER RUDDER INSTALLATION.....	62
STEERING & RETRACT SYSTEM INSTALLATION.....	64

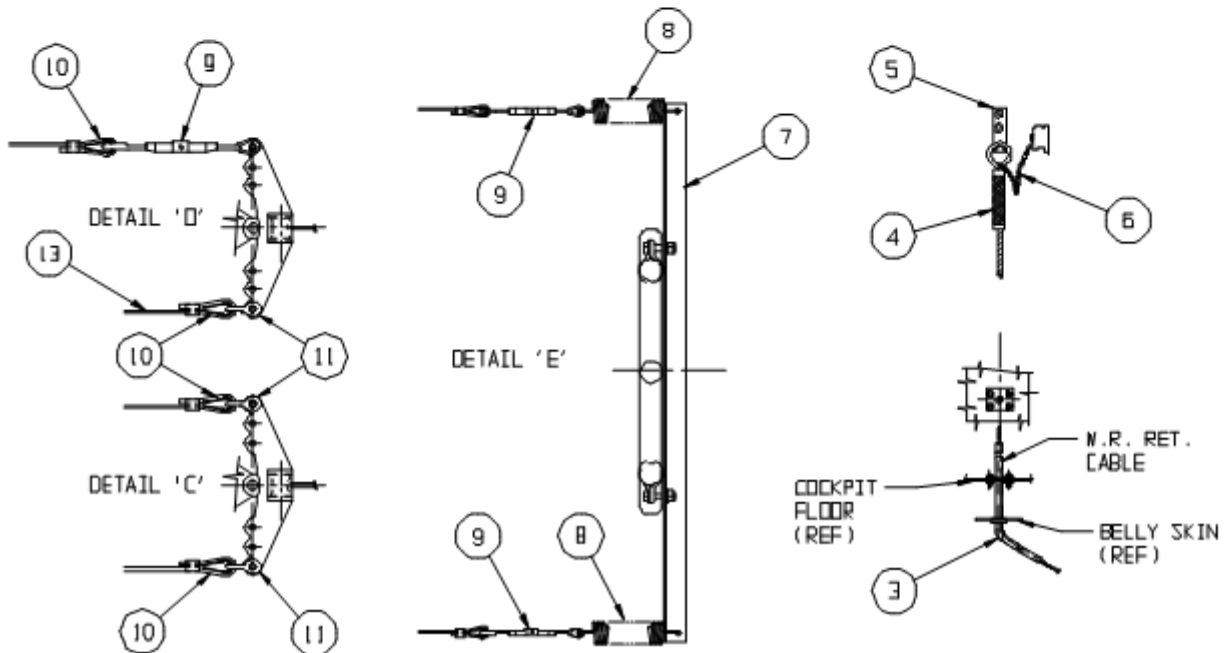
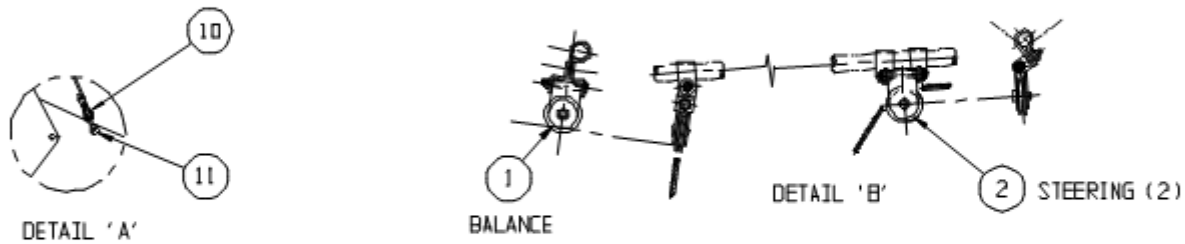
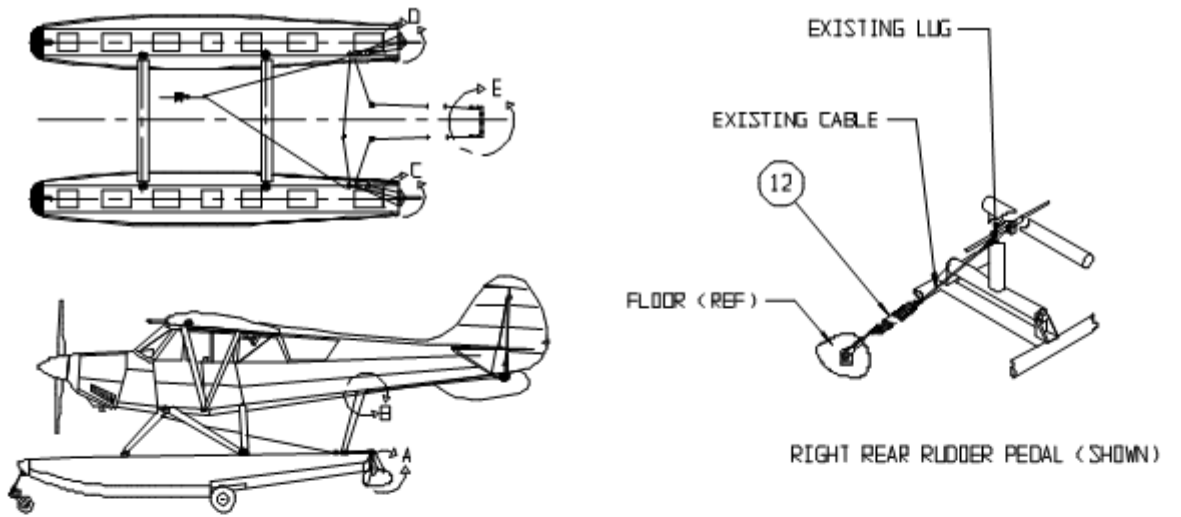
WATER RUDDER INSTALLATION



PARTS MANUAL
2100 FLOATS ON PIPER PA-18 & PA-12

ITEM	QTY	PART NO.	PART DESCRIPTION
1	1	21A08000-123	ASSY. - BLADE
	1	1002649	BLADE
	1	21A08019-001	ARM L.
	1	21A08019-002	ARM R.
2	1	1003858	WATER RUDDER POST WITH BELLCRANK ASSEMBLY
	1	1003854	WATER RUDDER POST ASSEMBLY
	1	1003267	WATER RUDDER POST
	2	05DU06	BUSHING
	1	1003853	BELLCRANK, WATER RUDDER POST ASSEMBLY
	1	1003274	BELLCRANK, WATER RUDDER POST
	2	03DU04	BUSHING
	1	21A08648-002	BUMBER, DOWN STOP
	1	1001457	ROLL PIN
	1	21A8602-009	GUIDE, RETRACT
	1	5/16 X 1 1/2 INCHES	PIN ATTACH
3	2	21A08525-006	SPRING
4	1	AN5-25A	BOLT, 5/16-24, 2.1875 GRIP, UNDRILLED, STEEL
	3	NAS1149D0516J	WASHER, 0.328 ID, 0.016 THK, ALUMINUM
	1	NAS 1149D0563J	WASHER, 0.328 ID, 0.063 THK, ALUMINUM
	1	MS21083N5	NUT, LOCKING, LOW HEIGHT, 5/16-24 UNF
5	1	AN5-11A	BOLT, 5/16-24 THREAD, 11/16" GRIP, 1-7/32" LENGTH
	A/R	NAS1149D0563J	WASHER, 0.328 ID, 0.063 THK, ALUMINUM
	1	MS21044N5	NUT, LOCKING, REGULAR HEIGHT, 5/16-24 UNF
6	1	21A01000-299	ASSEMBLY – TOP BEARING
	1	21A01019-003	PLATE
	1	21A01705-003	BEARING
7	1	21A08000-157	ASSEMBLY – LOWER BEARING
	1	21A08318-002	BRACKET
	1	05DU06	BEARING
8	2	21A08154-009	STOP
	2	AN4-6A	BOLT, 1/4-28, 0.3125 GRIP, UNDRILLED, STEEL
	2	NAS1149D0416J	WASHER, 0.265 ID, 0.016 THK, ALUMINUM
	2	MS21083N4	NUT, LOCKING, LOW HEIGHT, 1/4-28 UNF
	2	AN3-6A	BOLT, 10-32, 0.375 GRIP, UNDRILLED, STEEL
	2	NAS1149D0316J	WASHER, 0.203 ID, 0.016 THK, ALUMINUM
	2	MS21044N3	NUT, LOCKING, REGULAR HEIGHT, 10-32 UNF
9	1	AN5-12A	BOLT SIZE 5/16-24, LENGTH 1/64 - 1-11/32, GRIP LENGTH 13/16
	A/R	NAS1149D0563J	WASHER, 0.328 ID, 0.063 THK, ALUMINUM
	1	MS21044N5	NUT, LOCKING, REGULAR HEIGHT, 5/16-24 UNF

STEERING & RETRACT SYSTEM INSTALLATION



PARTS MANUAL
2100 FLOATS ON PIPER PA-18 & PA-12

ITEM	QTY	PART NO.	PART DESCRIPTION
1	1	21A08000-126	ASS'Y., BALANCE PULLEY
	1	21A08000-125	ASS'Y., PULLEY BRACKET
	1	21A08008-150	BRACKET - PULLEY
	1	21A08230-002	SPACER, BLOCK
	1	MS20219-2	PULLEY
	1	AN4-7A	BOLT, 1/4-28, 0.4375 GRIP, UNDRILLED, STEEL
	1	NAS1149D0463J	WASHER, 0.265 ID, 0.063 THK, ALUMINUM
	1	MS21083N4	NUT, LOCKING, LOW HEIGHT, 1/4-28 UNF
	2	21A08163-068	BRACKET, "Z"
	2	AN742D12	CLAMP, LOOP
	1	AN3-17A	BOLT, 10-32, 1.5 GRIP, UNDRILLED, STEEL
	3	AN3-5A	BOLT, 10-32, 0.25 GRIP, UNDRILLED, STEEL
	A/R	NAS1149D0363J	WASHER, 0.203 ID, 0.063 THK, ALUMINUM
	4	MS21044N3	NUT, LOCKING, REGULAR HEIGHT, 10-32 UNF
	2	AN3-4A	BOLT, 10-32, 0.125 GRIP, UNDRILLED, STEEL
	4	NAS1149F0332P	WASHER, 0.203 ID, 0.032 THK, STEEL
	1	1001957	STRAP, SUPPORT, PULLEY, BALANCE
	1	NAS1149D0416J	WASHER, 0.265 ID, 0.016 THK, ALUMINUM
2	2	21A08000-124	ASS'Y., STEERING PULLEY
	1	21A08000-125	ASS'Y., PULLEY BRACKET
	1	21A08008-150	BRACKET
	1	21A08230-002	SPACER, BLOCK
	1	MS20219-2	PULLEY
	1	AN4-7A	BOLT, 1/4-28, 0.4375 GRIP, UNDRILLED, STEEL
	1	NAS1149D0463J	WASHER, 0.265 ID, 0.063 THK, ALUMINUM
	1	MS21083N4	NUT, LOCKING, LOW HEIGHT, 1/4-28 UNF
	2	AN742D12	CLAMP, LOOP
	2	AN42B4A	BOLT EYE, 10-32 THREAD, #10 SIZE, 1/8" GRIP, 17/32" LENGTH
	1	AN3-17A	BOLT, 10-32, 1.5 GRIP, UNDRILLED, STEEL
	A/R	NAS1149D0363J	WASHER, 0.203 ID, 0.063 THK, ALUMINUM
	3	MS21044N3	NUT, LOCKING, REGULAR HEIGHT, 10-32 UNF
	2	NAS1149D0316J	WASHER, 0.203 ID, 0.016 THK, ALUMINUM
	1	NAS1149D0416J	WASHER, 0.265 ID, 0.016 THK, ALUMINUM
3	1	21A08000-129	ASS'Y., RETRACT TUBE
	1	MS354489-11	GROMMET, RUBBER
	4	AN5261032R12	SCREW, ATTACH
	4	AN970-3	WASHER, .203 ID, .875 OD, .063 THK
	4	MS21044N3	NUT, LOCKING, REGULAR HEIGHT, 10-32 UNF
4	1	21A08274-007	HANDLE, RETRACT
	1	33056	COUPLING SET SCREW, 10/32 X 1/4, 3/16" DIA
5	1	21A08487-001	HOOK, RETAINER CLIP

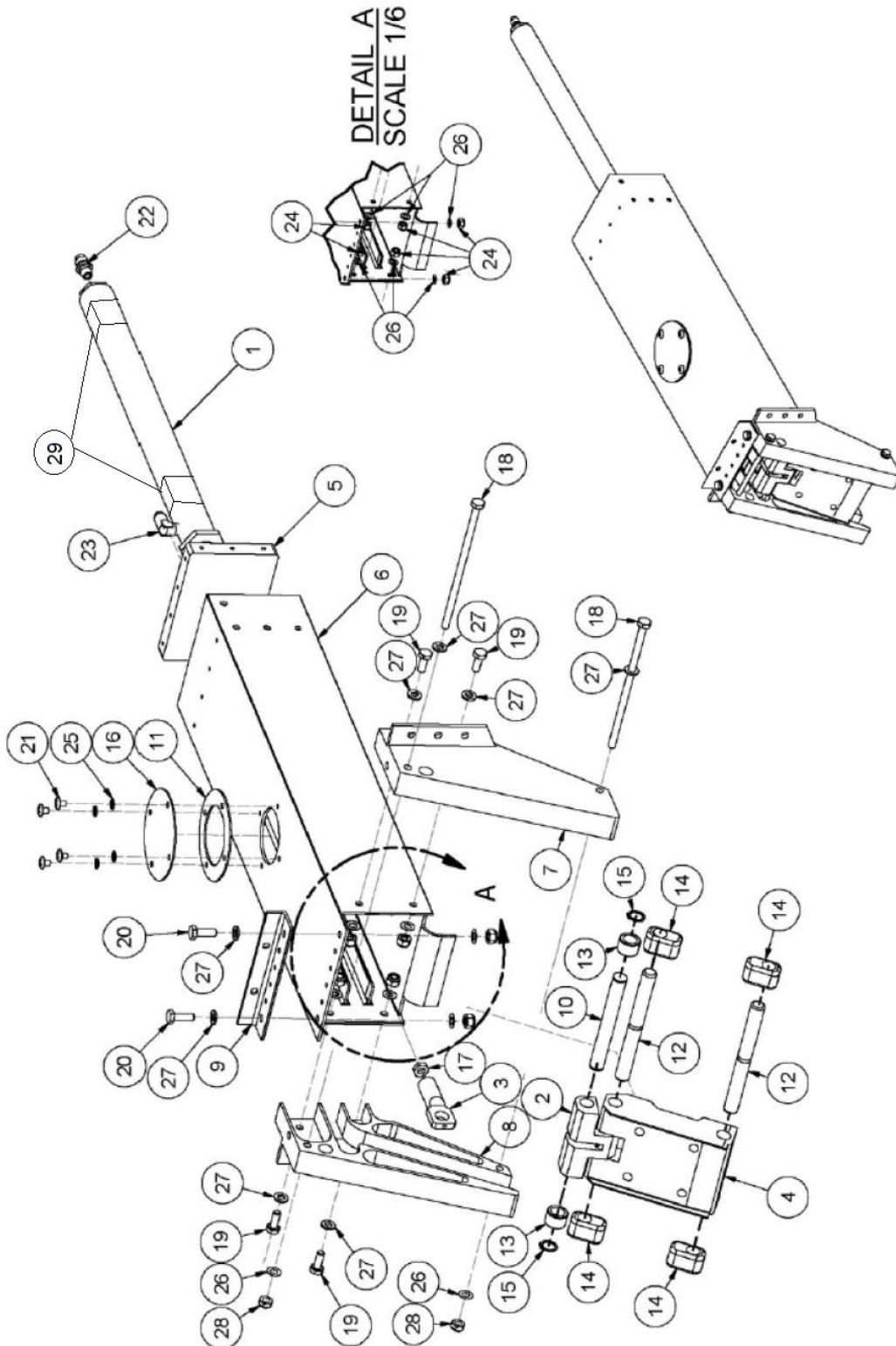
ITEM	QTY	PART NO.	PART DESCRIPTION
	2	AN5261032R8	SCREW, ATTACH
	2	MS21044N3	NUT, LOCKING, REGULAR HEIGHT, 10-32 UNF
6	1	21A08747-001	CHAIN, RETRACT, 15 INCHES
7	1	21A12359-202	EXTENSION, RUDDER HORN
	2	AN742D10	CLAMP, ATTACH
	2	AN4-6A	BOLT, 1/4-28, 0.3125 GRIP, UNDRILLED, STEEL
	2	NAS1149D0463J	WASHER, 0.265 ID, 0.063 THK, ALUMINUM
	2	MS21044N4	NUT, LOCKING, REGULAR HEIGHT, 1/4-28 UNF
8	2	21A08525-005	SPRING
9	3	MS21251B3S	TURNBUCKLE, BARREL
	3	MS21255-3RS	FORK, TERMINAL
	1	MS20392-2C13	PIN ATTACH
	1	MS24665-132	PIN, COTTER
	1	NAS1149D0316J	WASHER, 0.203 ID, 0.016 THK, ALUMINUM
	3	MS21255-3LS	EYE, TERMINAL
10	8	AN100-3	THIMBLE, CABLE
	9	MS51844-43	NICOPRESS, CLAMP
11	5	MS20115-3	SHACKLES
	6	MS20392-2C13	PIN, ATTACH
	5	MS24665-132	PIN, COTTER
12	A/R	RM690	CABLE (REQUEST LENGTH) 3/32 X 7

SECTION 8 LANDING GEAR

CONTENTS

NOSE GEAR RETRACTION ASSEMBLY.....	68
NOSE GEAR LOWER ASSEMBLY	70
NOSE WHEEL ASSEMBLY (GROVE).....	72
NOSE WHEEL ASSEMBLY (PARKER).....	74
MAIN GEAR RETRACTION INSTALLATION	76
MAIN GEAR WHEEL GROVE / WIPAIRE ASSEMBLY.....	79
MAIN GEAR WHEEL CLEVELAND / PARKER ASSEMBLY	81

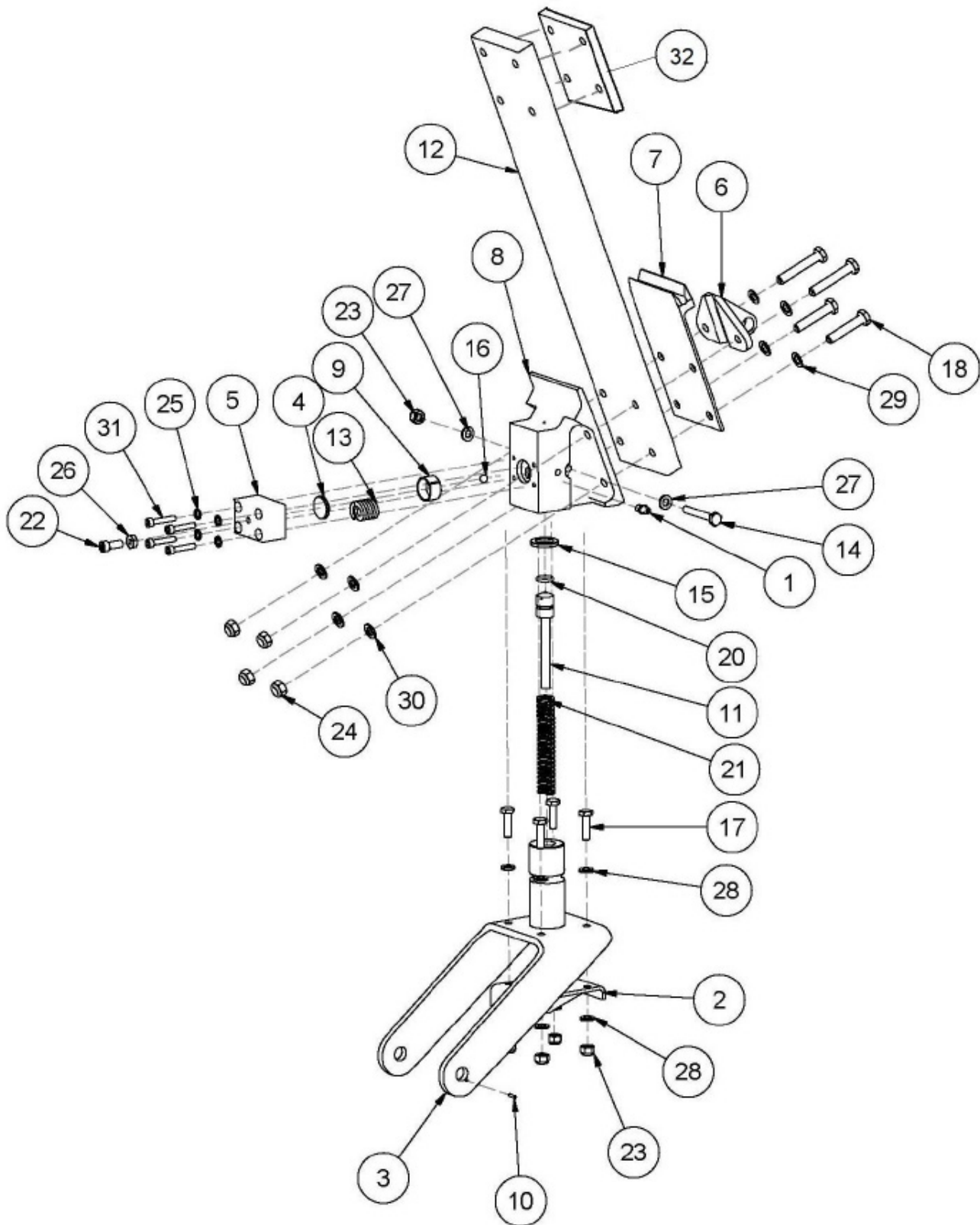
NOSE GEAR RETRACTION ASSEMBLY



PARTS MANUAL
2100 FLOATS ON PIPER PA-18 & PA-12

ITEM	QTY	PART NO.	PART DESCRIPTION
1	1	1002571	CYLINDER, NOSE GEAR, 2100/2350
2	1	21A07032-005	LINK - TROLLEY, NOSE GEAR
3	1	21A07094-002	END - ROD, CYLINDER, NOSE GEAR
4	1	21A07187-009	TROLLEY - NOSE GEAR
5	1	21A07237-002	END CAP, NOSE BOX
6	1	21A07323-001	BOX, NOSE GEAR
7	1	21A07349-003	END, NOSE GEAR TRACK LEFT
8	1	21A07349-004	END, NOSE GEAR TRACK, RIGHT
9	1	21A07359-194	EXTRUSION, ANGLE
10	1	21A07509-007	AXLE, TROLLEY LINK
11	1	30A07567-011	GASKET, COVER, NOSE BOX, 2100 AND 3000
12	2	34A07509-008	AXLE, TROLLEY
13	2	3A07530-001	BEARING - TROLLEY, NOSE GEAR
14	4	3A07604-001	BLOCK, SLIDE, TROLLEY, NOSE GEAR
15	2	5100-46-H	SNAP RING
16	1	8A01008-080	COVER, BULKHEAD HYD CYL. HOLE
17	1	AN316-5R	NUT JAM, HEXAGON, 5/16-24 THREAD, RIGHT
18	2	AN4-53A	BOLT, 1/4-28 THREAD, 4-15/16" GRIP, 5-13/32 LENGTH
19	4	AN4-5A	BOLT, 1/4-28 THREAD, 3/16" GRIP, 21/32" LENGTH
20	2	AN4-6A	BOLT, THREAD SIZE 1/4-28, LENGTH +/- 1/64 - 25/32
21	4	AN526-1032R4	SCREW, TRUSS HEAD MACHINE, 10-32 THREAD, 1/4" LENGTH
22	1	AN816-4D	NIPPLE, FLARED TUBE AND PIPE THREAD
23	1	MS20822-4D	ELBOW 90 DEG, 7/16-20 TUBE THREAD, 5-44 PIPE THREAD
24	6	MS21044N4	NUT, HEX LOCKING NYLON INSERT STEEL CAD 2, 1/4-28
25	4	MS35333-39	LOCKWASHER, INTERNAL TOOTH, TO FIT DIA #10
26	8	NAS1149D0416J	WASHER, 0.265 ID, 0.016 THK, ALUMINUM
27	8	NAS1149D0463J	WASHER, 0.265 ID, 0.063 THK, ALUMINUM
28	2	NAS679-A4W	KAYNAR NUT
29	2	3A07005-178	CLIP, SWITCH, NOSE & MAIN

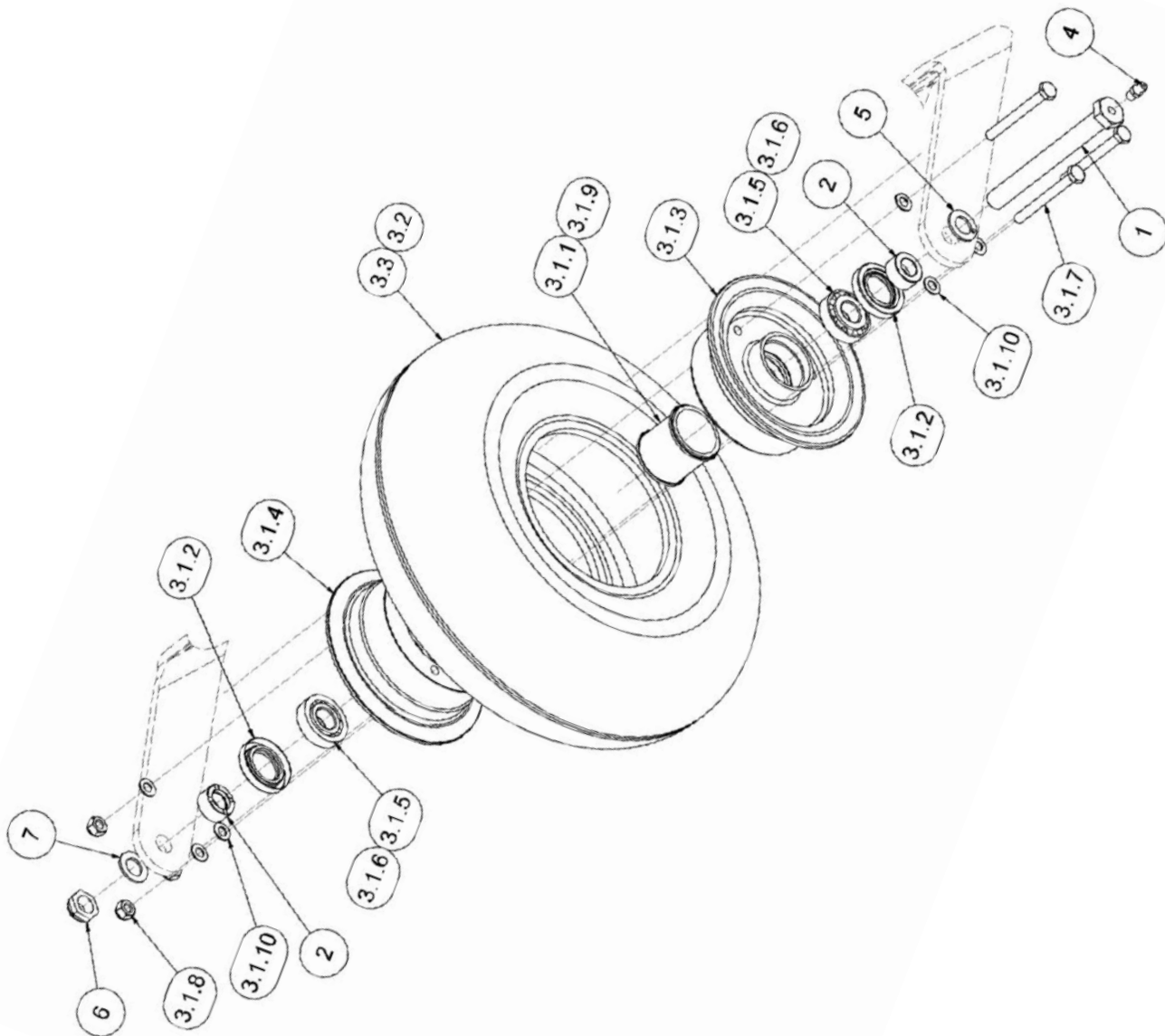
NOSE GEAR LOWER ASSEMBLY



PARTS MANUAL
2100 FLOATS ON PIPER PA-18 & PA-12

ITEM	QTY	PART NO.	PART DESCRIPTION
1	1	1095K41	COMMON GREASEZERK
2	1	21A06000-020	WELDMENT, PIVOT SHAFT, FORK, NOSE GEAR
3	1	21A06020-001	FORK, NOSE GEAR (2100)
4	1	21A06160-053	PRESSURE PLATE
5	1	21A06194-005	BLOCK - SPRING
6	1	21A06213-006	TOW HOOK NOSE GEAR
7	1	21A06237-001	BEARING PLATE, LOWER, NOSE GEAR
8	1	21A06318-005	BLOCK - PIVOT, NOSE GEAR
9	1	21A06475-006	FRICITION CUP
10	1	21A06476-003	PIN, ANTIROTATION
11	1	21A06605-002	PLUNGER- NOSE WHEEL, 21, 23,3,34
12	1	21A06653-001	SPRING NOSE GEAR
13	1	21A06705-005	PRESSURE SPRING
14	1	30A06702-016	BOLT - MODIFIED, PIVOT BLOCK
15	1	3A06602-001	THRUST WASHER
16	1	9528K15	1/4" CHROME BALL BEARING
17	4	AN4-7A	BOLT, 1/4-28, 0.4375 GRIP, UNDRILLED, STEEL
18	2	AN5-14A	BOLT, 5/16-24, 1.0625 GRIP, UNDRILLED, STEEL
19	2	AN5-16A	BOLT, 5/16-24 THREAD, 1-5/16" GRIP, 1-27/32" LENGTH
20	1	AN6227-9	O-RING
21	1	M62-350	SPRING
22	1	MS16997-60	SOCKET HEAD CAP SCREW
23	5	MS21044N4	NUT, LOCKING, REGULAR HEIGHT, 1/4-28 UNF
24	4	MS21044N5	NUT, LOCKING, REGULAR HEIGHT, 5/16-24 UNF
25	4	MS35333-39	LOCKWASHER, INTERNAL TOOTH, TO FIT DIA #10
26	1	MS35649-2252	NUT, PLAIN HEXAGON, 1/4-20 THREAD
27	2	NAS1149D0463J	WASHER, 0.265 ID, 0.063 THK, ALUMINUM
28	8	NAS1149F0463P	WASHER, 0.265 ID, 0.063 THK, STEEL
29	4	NAS1149F0532P	WASHER, 0.328 ID, 0.032 THK, STEEL
30	4	NAS1149F0563P	WASHER, 0.328 ID, 0.063 THK, STEEL
31	4	NAS1352-316P	SOCKET HEAD CAP SCREW
32	1	21A06166-001	PLATE – BEARING, NOSE SPRING
	4	AN5-20A	BOLT, 5/16-24, 1.5625 GRIP, UNDRILLED, STEEL (NOT SHOWN)
	4	NAS1149F0563P	WASHER, 0.328 ID, 0.063 THK, STEEL (NOT SHOWN)
	4	MS21044N5	NUT, LOCKING, REGULAR HEIGHT, 5/16-24 UNF (NOT SHOWN)

NOSE WHEEL ASSEMBLY (GROVE)

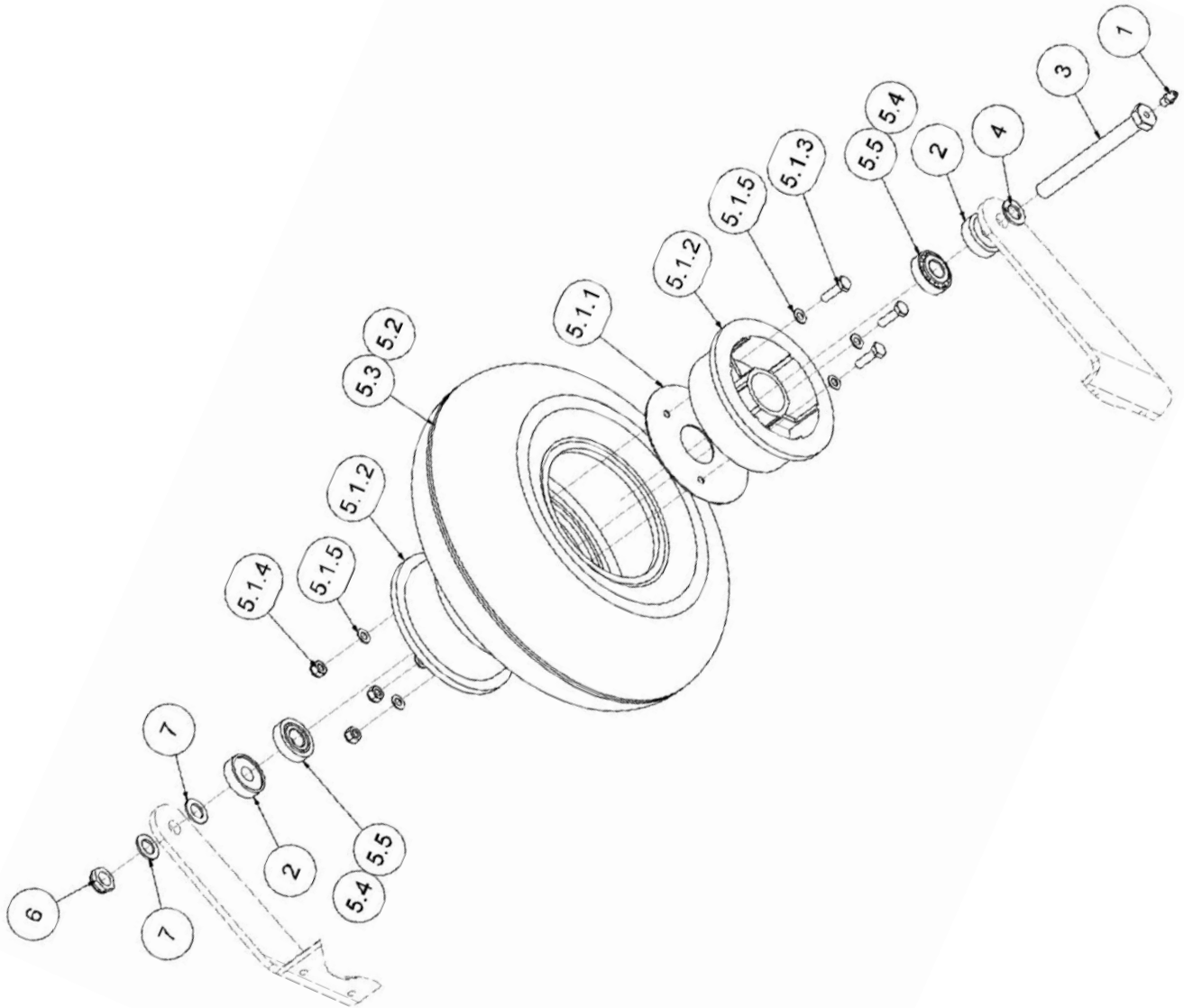


PARTS MANUAL
2100 FLOATS ON PIPER PA-18 & PA-12

ITEM	QTY	PART NO.	PART DESCRIPTION
1	1	1005927	BOLT, AXLE, NOSE GEAR
2	2	1005929	SPACER
3	1	1005931	ASSEMBLY, NOSE WHEEL
3.1	1	49-12AF-001	ASSEMBLY, WHEEL, GROVE
3.1.1	1	010-019	GREASE RETAINER
3.1.2	2	471570	SEAL, TIMKEN (EQUIVALENT TO GROVE OEM P/N 010-026)
3.1.3	1	015-020A	WHEEL HALF INNER
3.1.4	1	016-020AF	WHEEL HALF OUTER
3.1.5	2	A4050	BEARING CORE
3.1.6	2	A4138	BEARING CONE
3.1.7	3	AN4-23A	BOLT, 1/4-28, 1.9375 GRIP, UNDRILLED, STEEL
3.1.8	3	MS21044N4	NUT, LOCKING, REGULAR HEIGHT, 1/4-28 UNF
3.1.9	2	MS28775-029	O RING, I.D 1.489, O.D. 1.629. .070 THICK
3.1.10	6	NAS1149F0416	WASHER, 0.265 ID, 0.016 THK, STEEL
3.2	1	XA1AA*	INNER TUBE, 2.80 X 4
3.3	1	AD1A2*	TIRE, 2.50 / 2.80 - 4
4	1	1095K41	COMMON GREASEZERK
5	1	3A06702-003	MODIFIED WASHER
6	1	MS21083N8	NUT, SELFLOCKING, 1/2-20 THREAD, NYLON INSERT, 250 DEG.
7	1	NAS1149D0863J	WASHER, 0.515 ID, 0.063 THK, ALUMINUM
8	1	21A06476-003	PIN ANTI ROTATE AXLE

* Any alternate tire (tube type) which is TSO-approved, matches the listed tire's dimensions, and meets its speed/load/ply ratings may be used. Equivalent tubes may also be used.

NOSE WHEEL ASSEMBLY (PARKER)



PARTS MANUAL
2100 FLOATS ON PIPER PA-18 & PA-12

ITEM	QTY	PART NO.	PART DESCRIPTION
1	1	1095K41	COMMON GREASEZERK
2	2	3A06259-001	SPACER
3	1	3A06702-002	BOLT, MODIFIED, AXLE, NOSE GEAR
4	1	3A06702-003	MODIFIED WASHER
5	1	21A06000-021	NOSE WHEEL ASSEMBLY
5.1	1	D-30380	PARKER WHEEL ASSEMBLY
5.1.1	1	068-30373	GASKET
5.1.2	2	161-30382	WHEEL HALF
5.1.3	3	AN4-7A	BOLT, 1/4-28, 0.4375 GRIP, UNDRILLED, STEEL
5.1.4	3	MS21044N4	NUT, LOCKING, REGULAR HEIGHT, 1/4-28 UNF
5.1.5	6	NAS1149F0432P	WASHER, 0.265 ID, 0.032 THK, STEEL
5.2	1	XA1AA*	INNER TUBE, 2.80 X 4
5.3	1	AD1A2*	TIRE, 2.50 / 2.80 - 4
5.4	2	A4050	BEARING CORE
5.5	2	A4138	BEARING CONE
6	1	MS21083N8	NUT, SELFLOCKING, 1/2-20 THREAD, NYLON INSERT, 250 DEG.
7	2	NAS1149D0863J	WASHER, 0.515 ID, 0.063 THK, ALUMINUM

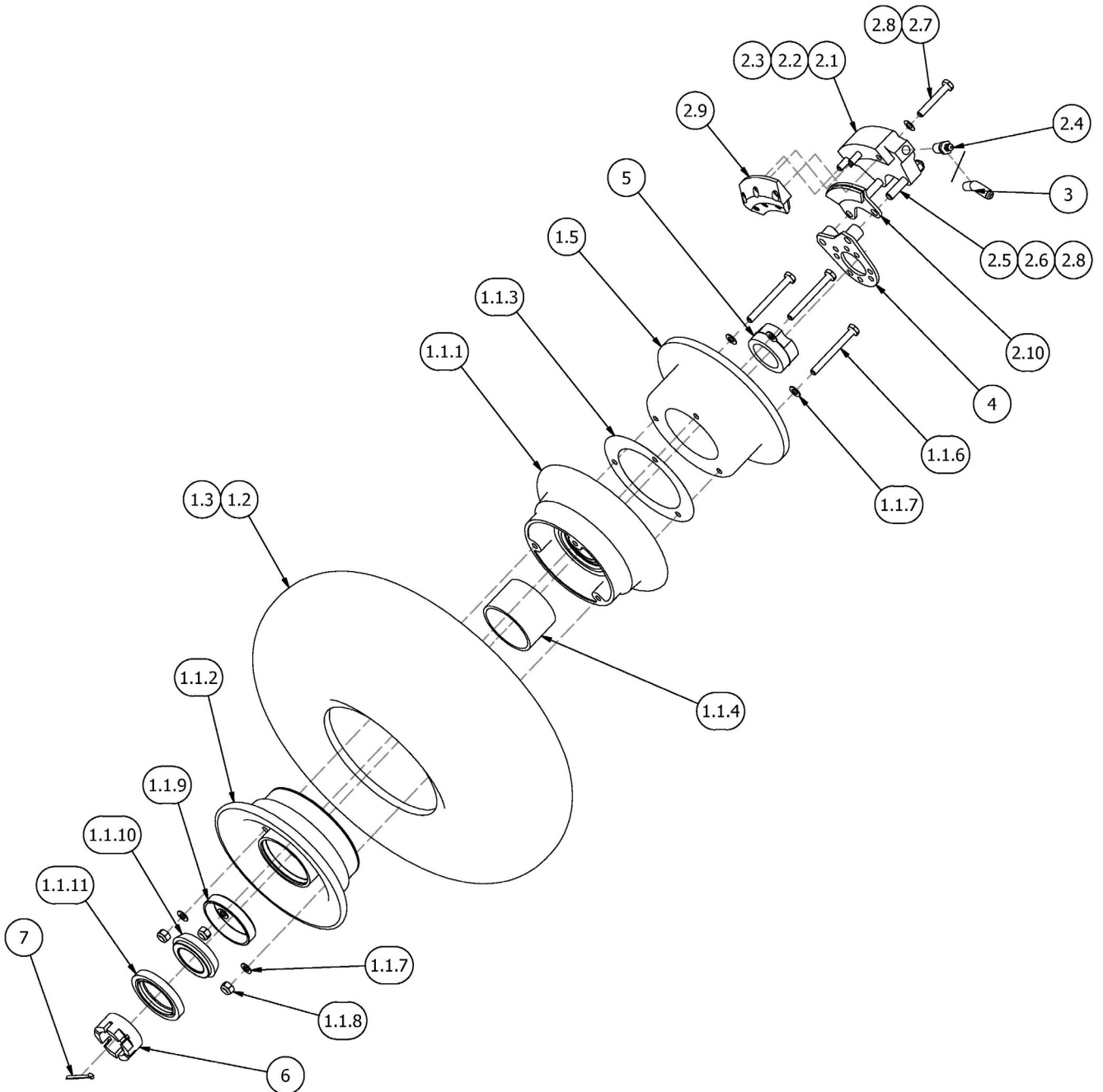
* Any alternate tire (tube type) which is TSO-approved, matches the listed tire's dimensions, and meets its speed/load/ply ratings may be used. Equivalent tubes may also be used.

PARTS MANUAL
2100 FLOATS ON PIPER PA-18 & PA-12

ITEM	QTY	PART NO.	PART DESCRIPTION
1	1	21A04000-077	ASSY. – DRAG LINK L.
	1	21A04000-076	ASSY. – DRAG LINK R.
	2	08FDU12	BEARING
2	1	21A04000-073	ASSY. SHOCK STRUT
	1	21A04000-074	ASSY. - UPPER END
	1	21A04000-075	ASSY. – LOWER END
	2	1095K41	ZERK – GREASE
	2	NAS1149D0416J	WASHER, 0.265 ID, 0.016 THK, ALUMINUM
	2	NAS1149D0463J	WASHER, 0.265 ID, 0.063 THK, ALUMINUM
	1	1002087	DUAL BUSHING ASSEMBLY
	1	1001100	BUSHING ASSEMBLY
	1	21A04503-004	RETAINING PIN
	1	MS24665-151	COTTER PIN
	1	21A04585-002	SLEEVES
3	1	21A05114-005	TRACK – MAIN GEAR L.
	1	21A05114-006	TRACK – MAIN GEAR R.
	1	10DU12	BEARING - UPPER
	1	08DU12	BEARING – LOWER
4	1	1002574	CYLINDER
	2	MS20822-4D	ELBOW 90 DEG, 7/16-20 TUBE THREAD, 5-44 PIPE THREAD
5	1	21A05705-002	ROD END
	1	AN316-5	JAMB NUT
	1	21A05260-005	SPACER
	1	MS20002C6	WASHER TO FIT DIA 3/8", COUNTERSUNK (CHAMFERED EDGE GOES AGAINST CYLINDER)
6	1	21A05000-017	ARM – RETRACT L.
	1	21A05000-016	ARM – RETRACT R.
7	1	21A04454-006	AXLE – SHOCK STRUT
8	1	21A05000-022	INDICATOR ASSY.
9	1	21A05000-018	GEAR ACTUATOR
10	2	21A05520-003	ROLLER – TRACK
11	2	93783A033	WASHERS, PRESSURE SEALING, W/ ZINC PLATING, 1/2" DIA
12	1	21A05000-019	BOLT, MAIN GEAR
	1	21A05735-001	BOLT
	1	21A05476-002	STUD
13	1	21A04263-007	RETAINER - GREASE
	2	MS28775-210	O RING, DIA 0.734
	1	1095K41	ZERK – GREASE
14	1	MS21044N8	NUT, LOCKING, REGULAR HEIGHT, 1/2-20 UNF
	2	NAS1149F0863P	WASHER, AIRFRAME, TO FIT DIA 1/2"
15	1	MS21083N5	NUT, LOCKING, LOW HEIGHT, 5/16-24 UNF

ITEM	QTY	PART NO.	PART DESCRIPTION
	A/R	NAS1149F0563P	WASHER, 0.328 ID, 0.063 THK, STEEL
16	1	1005875	ASSEMBLY, PIN, CLEVIS, MAGNET HOLDER
	2	NAS1149F0563P	WASHER, 0.328 ID, 0.063 THK, STEEL
	1	MS21044N5	NUT, LOCKING, REGULAR HEIGHT, 5/16-24 UNF
17	2	NAS6204-17	BOLT, 1/4-28 THREAD, 1.432" LENGTH, 1.062" GRIP
	4	NAS1149D0416J	WASHER, 0.265 ID, 0.016 THK, ALUMINUM
	2	MS21044N4	NUT, LOCKING, REGULAR HEIGHT, 1/4-28 UNF
18	8	AN3-6A	BOLT, 10-32, 0.375 GRIP, UNDRILLED, STEEL
	8	NAS1149D0316J	WASHER, 0.203 ID, 0.016 THK, ALUMINUM
	8	NAS1149D0363J	WASHER, 0.203 ID, 0.063 THK, ALUMINUM
	8	MS21044N3	NUT, LOCKING, REGULAR HEIGHT, 10-32 UNF
19	1	AN8-33A	BOLT, 1/2-20 THREAD, 2-11/16" GRIP, 3-15/32" LENGTH
	1	NAS1149F0832P	WASHER, 0.515 ID, 0.032 THK, STEEL
	1	NAS1149F0863P	WASHER, AIRFRAME, TO FIT DIA 1/2"
	1	MS21044N8	NUT, LOCKING, REGULAR HEIGHT, 1/2-20 UNF
20	1	21A05003-079	PLATE - SEPARATING
	4	AN3-5A	BOLT, 10-32, 0.25 GRIP, UNDRILLED, STEEL
	8	NAS1149D0316J	WASHER, 0.203 ID, 0.016 THK, ALUMINUM
	4	MS21044N3	NUT, LOCKING, REGULAR HEIGHT, 10-32 UNF
21	1	21A04547-004	BUSHING, LOWER, SHOCK STRUT
	2	21A09005-262	CLIP, MAGNETIC INDICATOR (NOT SHOWN)
	2	5801	PROXIMITY SWITCH (NOT SHOWN)
	4	MS24693-S6	SCREW, COUNTERSUNK , 4-40 UNC, 0.5 LG (NOT SHOWN)

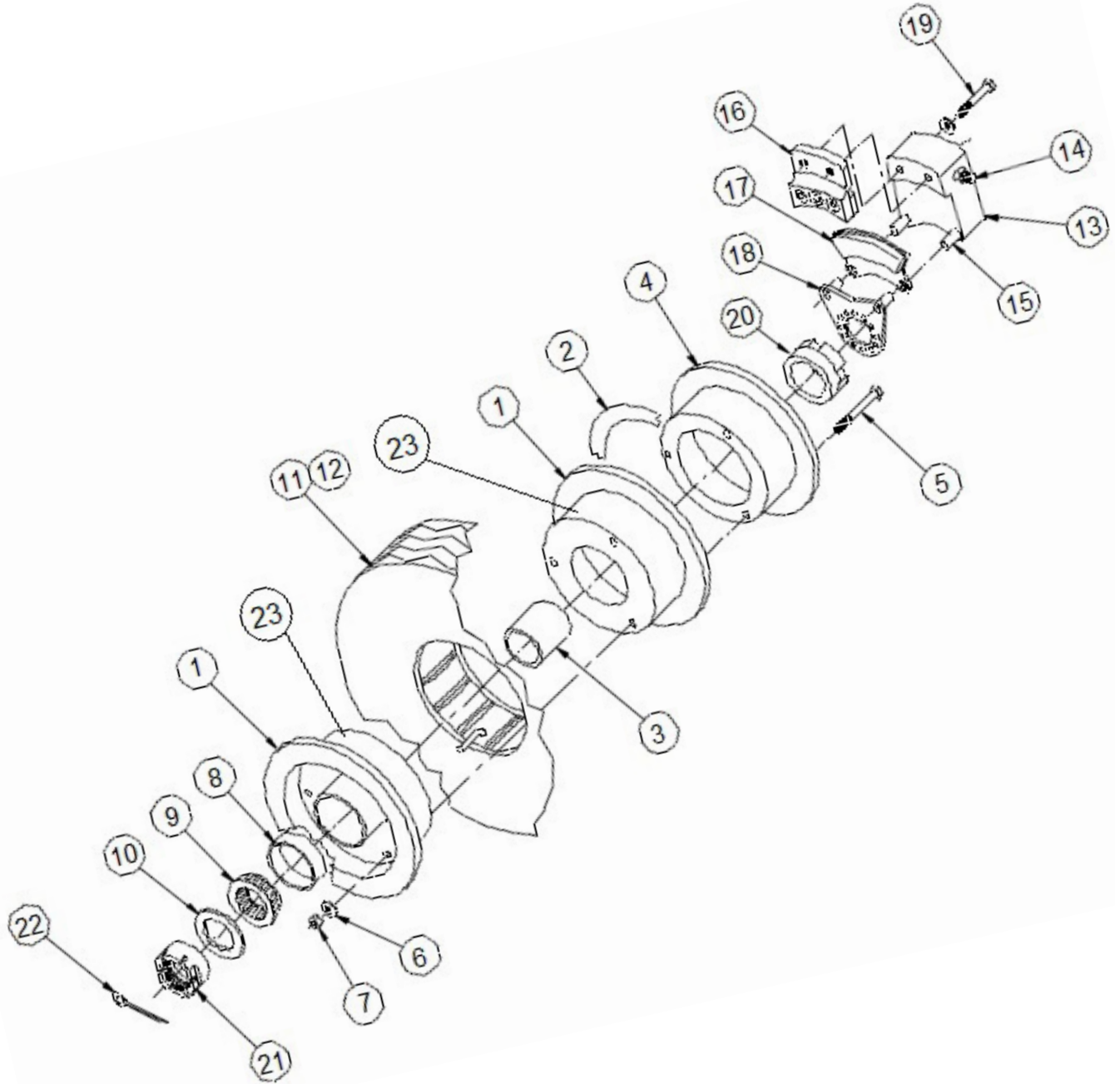
MAIN GEAR WHEEL GROVE / WIPAIRE ASSEMBLY



ITEM	QTY	PART NO.	PART DESCRIPTION
1	1	1002141	ASSY, MAIN WHEEL, GROVE, 2100 (INCLUDES TIRE AND TUBE)
1.1	1	1002142	ASSY, RIM & BEARINGS, GROVE, 2100
1.1.1	1	015-002	WHEEL HALF, INNER (REF)
1.1.2	1	016-002	WHEEL HALF, OUTER (REF)
1.1.3	1	3A04620-001	GASKET - TEFLON
1.1.4	1	010-009	GREASE RETAINER
1.1.5	1	018-001	BRAKE DISC (NOMINAL THICKNESS 0.190", MINIMUM 0.165")
1.1.6	3	AN4-23A	BOLT, 1/4-28, 1.9375 GRIP, UNDRILLED, STEEL
1.1.7	6	NAS1149F0432P	WASHER, 0.265 ID, 0.032 THK, STEEL
1.1.8	3	MS21044N4	NUT, LOCKING, REGULAR HEIGHT, 1/4-28 UNF
1.1.9	2	08231	BEARING CUP
	-	08231CP	BEARING CUP (CHROME, REF)
1.1.10	2	08125	BEARING CONE
	-	08125CP	BEARING CONE (CHROME, REF)
1.1.11	2	473237	SEAL - INSIDE/OUTSIDE
1.2	1	AA1D4*	TIRE -TYPE III 5.00 X 5, 6 PLY
1.3	1	XA1AC*	TUBE 5.00 X 5
2	1	32-1	BRAKE ASSEMBLY
2.1	1	023-005	CALIPER BODY (REF)
2.2	2	017-003	PISTON (REF)
2.3	2	MS28775-217	O-RING, HYDRAULIC
2.4	1	220-0063	BLEEDER ASSEMBLY
2.5	2	013-001	TORQUE PIN (REF)
2.6	2	MS21044N4	NUT, LOCKING, REGULAR HEIGHT, 1/4-28 UNF
2.7	3	AN4H-15A	BOLT
2.8	5	NAS1149F0416P	WASHER, 0.265 ID, 0.016 THK, STEEL
2.9	1	10-3	ASS'Y - BACK PLATE (REF)
2.9.1	1	RA66-111	LINING (PAD)
2.9.2	3	066-001	RIVET
	A/R	105-00200 (ALT)	RIVET (ALTERNATE PN)
2.10	1	11-2	ASS'Y - PRESSURE PLATE
2.10.1	1	RA66-111	LINING (PAD)
2.10.2	3	066-001	RIVET
	3	105-00200 (ALT)	RIVET (ALTERNATE PN)
3	1	MS20823-3D	FITTING 45° BRAKE LINE
4	1	020-001	BRAKE TORQUE PLATE
5	1	3A04093-001	SPACER
6	1	3A04268-003	NUT - AXLE
7	1	MS24665-351	COTTER PIN

* Any alternate tire (tube type) which is TSO-approved, matches the listed tire's dimensions, and meets its speed/load/ply ratings may be used. Equivalent tubes may also be used.

MAIN GEAR WHEEL CLEVELAND / PARKER ASSEMBLY



ITEM	QTY	PART NO.	PART DESCRIPTION
1	1	3A04000-002	ASSY. – WHEEL (W/ TUBE & TIRE)
	1	3A04000-060	ASSY. - WHEEL
2	1	3A04620-001	GASKET - TEFLON
3	1	3A04616-001	GREASE RETAINER
4	1	164-01700	BRAKE DISC
5	3	AN4-22A	BOLT, 1/4-28, 1.8125 GRIP, UNDRILLED, STEEL
6	3	NAS1149F0432P	WASHER, 0.265 ID, 0.032 THK, STEEL
7	3	MS21044N4	NUT, LOCKING, REGULAR HEIGHT, 1/4-28 UNF
8	2	8231	BEARING CUP
	2	8231CP	BEARING CUP, CHROME (OPT.)
9	2	8125	BEARING CONE
	2	8125CP	BEARING CONE, CHROME (OPT.)
10	2	473237	SEAL - INSIDE/OUTSIDE
11	1	AA1D4*	TIRE –TYPE III
12	1	XA1AC*	TUBE
	1	075-00800	ASSY. – BRAKE AND TORQUE PLATE
13	1	21A04000-096	ASSY. – CALIPER (RIGHT)
	1	21A04000-097	ASSY. – CALIPER (LEFT)
	1	062-00300	PISTON
	1	AN6227-23	“O” RING
	1	MS20823-3D	FITTING - 45 DEGREES (BRAKE LINE)
14	1	081-30619	SEAT – BLEEDER
	1	79-3	SCREW – BLEEDER
	1	183-1	CAP – BLEEDER
15	2	069-00400	ANCHOR BOLT
	2	NAS1149F0463P	WASHER, 0.265 ID, 0.063 THK, STEEL
	2	MS21044N4	NUT, LOCKING, REGULAR HEIGHT, 1/4-28 UNF
16	1	074-02700	ASSY. – BACK PLATE
	1	064-00500	PLATE – BACK
	1	066-10600	LINING
	3	105-00200	RIVET
17	1	073-04800	ASSY. – PRESSURE PLATE
	1	063-00500	PLATE - PRESSURE
	1	066-10600	LINING
	3	105-00200	RIVET
18	1	3A04711-001	BRAKE TORQUE PLATE - LEFT
	1	3A04711-002	BRAKE TORQUE PLATE – RIGHT
19	1	AN4H15A	BOLT, 1/4-28 THREAD, 1-3/16" GRIP, 1-21/32" LENGTH
	1	NAS1149F0432P	WASHER, 0.265 ID, 0.032 THK, STEEL
20	1	3A04093-001	SPACER
21	1	3A04268-003	NUT – AXLE

PARTS MANUAL
2100 FLOATS ON PIPER PA-18 & PA-12

ITEM	QTY	PART NO.	PART DESCRIPTION
22	1	MS24665-351	COTTER PIN
23	1	40-78A	WHEEL ASSEMBLY, EXTERNAL, 5.00 X 5

* Any alternate tire (tube type) which is TSO-approved, matches the listed tire's dimensions, and meets its speed/load/ply ratings may be used. Equivalent tubes may also be used.

THIS PAGE INTENTIONALLY LEFT BLANK

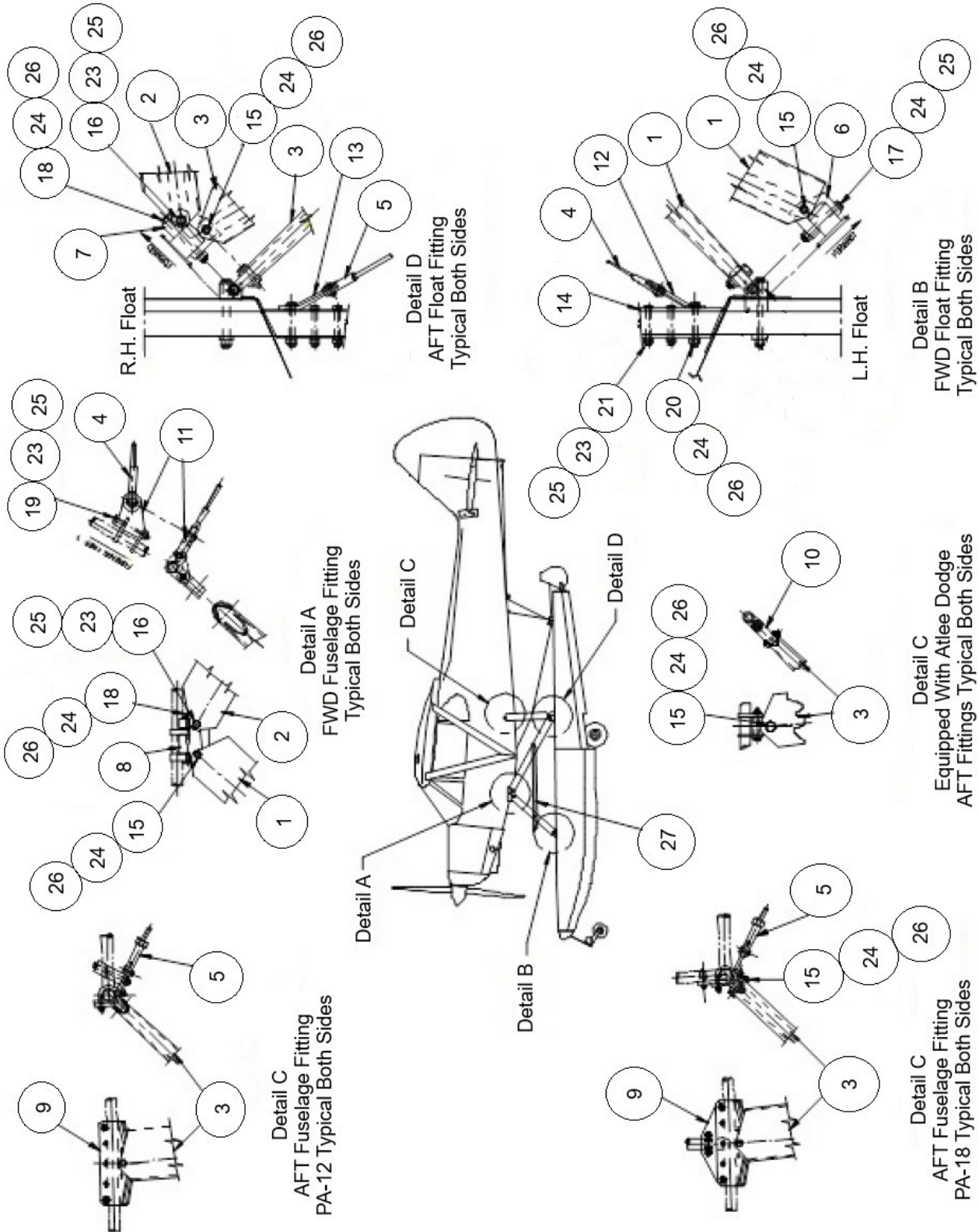
SECTION 9

STRUTS, WIRES AND SPREADER BARS

CONTENTS

STRUTS, WIRES & SPREADER BARS	86
FWD SPREADER BAR SUPPORT PANEL ASSEMBLY	90
AFT SPREADER BAR SUPPORT PANEL ASSEMBLY	91
SPREADER BAR TUBE MOUNTING	92

STRUTS, WIRES & SPREADER BARS



PARTS MANUAL
2100 FLOATS ON PIPER PA-18 & PA-12

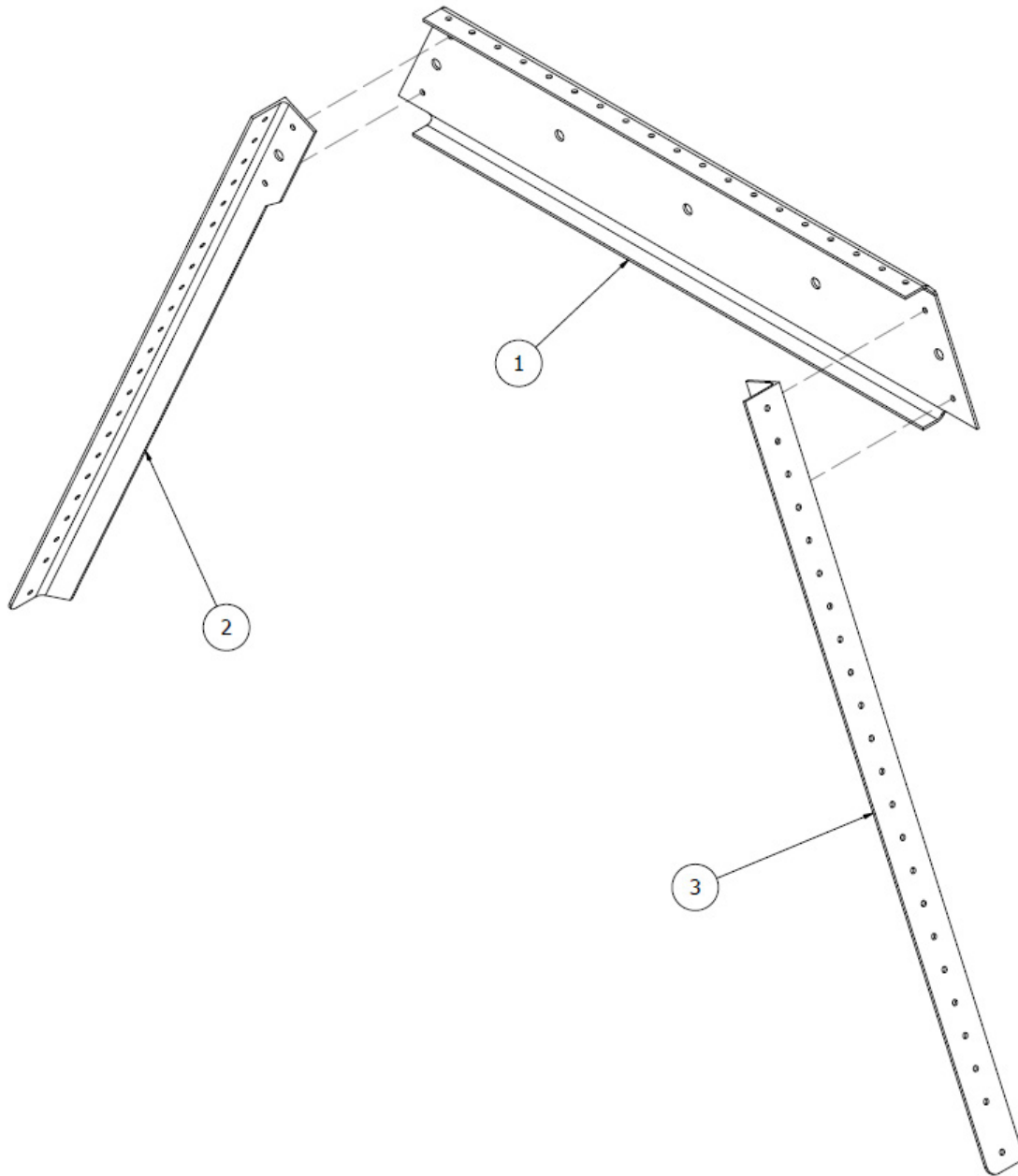
ITEM	QTY	PART NO.	PART DESCRIPTION
1	2	21A02334-023	STRUT, FRONT, PA-18
2	2	21A02334-024	STRUT, CENTER, PA-18
3	2	21A02000-146	ASS'Y., REAR STRUT, PA-18
	2	21A02000-179	ASS'Y., REAR STRUT, PA-18 (ATLEE DODGE FITTING) (FLOAT S/N BELOW 257)
	2	1001527	ASS'Y., REAR STRUT, PA-18 (CUB CRAFTERS RT.)
	2	1001533	ASS'Y., REAR STRUT, PA-18 (CUB CRAFTERS LT.)
	2	21A02000-162	ASS'Y., REAR STRUT, PA-12
	2	21A02000-169	ASS'Y., REAR STRUT, PA-12 (ATLEE DODGE FITTING) (FLOAT S/N BELOW 257)
4	2	21A02000-139	ASS'Y., DRAG WIRE, FWD (PA-18)
	1	AN705AC-4800	WIRE
	1	AN665-46LS *	CLEVIS L.
	1	AN665-46RS *	CLEVIS R.
	1	AN316C5L	NUT CHECK L.
	1	AN316C5R	NUT CHECK R.
	2	MS20392-4C17	PIN, CLEVIS
	2	MS24665-152	PIN, COTTER
	2	21A02000-134	ASS'Y., DRAG WIRE, FWD (PA-12)
	1	AN705AC-5000	WIRE
	1	AN665-46LS *	CLEVIS L.
	1	AN665-46RS *	CLEVIS R.
	1	AN316C5L	NUT CHECK L.
	1	AN316C5R	NUT CHECK R.
	2	MS20392-4C17	PIN, CLEVIS
	2	MS24665-152	PIN, COTTER
5	2	21A02000-138	ASS'Y., DRAG WIRE, AFT
	1	AN706AC-4525	WIRE
	1	AN665-80LAS *	CLEVIS L.
	1	AN665-80RAS *	CLEVIS R.
	1	AN316C6L	NUT CHECK L.
	1	AN316C6R	NUT CHECK R.
	2	MS20392-5C21	PIN, CLEVIS
	2	MS24665-301	PIN, COTTER
6	2	21A02055-004	FTG, LOWER FRONT STRUT
7	1	21A02055-005	FTG, LOWER REAR STRUT L.
	1	21A02055-006	FTG, LOWER REAR STRUT R.
8	1	21A02055-007	FTG, UPPER FRONT STRUT L.
	1	21A02055-008	FTG, UPPER FRONT STRUT R.
9	1	21A02000-147	ASS'Y., UPPER STRUT FITTING, REAR (PA-18)
	1	21A02455-001	"U" BOLT, UPPER

ITEM	QTY	PART NO.	PART DESCRIPTION
	2	21A02456-001	"U" BOLT, LOWER
	2	21A02487-002	SADDLE, "U" BOLT
	1	21A02019-004	PLATE, MAIN BASE
	1	21A02019-005	PLATE, UPPER
	1	21A02019-006	PLATE, LOWER
	1	21A02020-002	SPACER, PLATE
	A/R	NAS1149D0416J	WASHER, 0.265 ID, 0.016 THK, ALUMINUM
	2	MS21044N3	NUT
	A/R	NAS1149D0316J	WASHER
	4	MS21044N4	NUT
	1	21A02000-163	ASS'Y., UPPER STRUT FITTING, REAR (PA-12)
	1	21A02456-001	"U" BOLT
	1	21A02487-002	SADDLE, "U" BOLT
	1	21A02019-004	PLATE- MAIN BASE
	1	21A02019-005	PLATE, UPPER
	1	21A02019-006	PLATE, LOWER
	1	21A02020-002	SPACER, PLATE
	2	AN3-10A	BOLT, PLATE ATTACH
	A/R	NAS1149D0416J	WASHER, 0.265 ID, 0.016 THK, ALUMINUM
	2	MS21044N3	NUT, LOCKING, REGULAR HEIGHT, 10-32 UNF
	1	21A02060-003	BLOCK, TUBE SUPPORT
	2	AN3-25A	BOLT, 10-32 THREAD, 2-1/4" GRIP, 2-21/32" LENGTH
	A/R	NAS1149D0316J	WASHER, 0.203 ID, 0.016 THK, ALUMINUM
	4	MS21044N4	NUT, LOCKING, REGULAR HEIGHT, 1/4-28 UNF
10	2	21A02472-005	FITTING, REAR STRUT (ATLEE DODGE) (FLOAT S/N BELOW 256)
	2	21A02206-005	FITTING, REAR STRUT (ATLEE DODGE) (FLOAT S/N 257 ON)
11	2	21A02075-002	WIRE PULL, FWD, UPPER
12	2	21A02462-004	WIRE PULL, FWD, LOWER (PA-18)
	2	21A02519-007	WIRE PULL, FWD, LOWER (PA-12)
13	2	21A02462-005	WIRE PULL, AFT, LOWER (PA-18)
	2	21A02462-008	WIRE PULL, AFT, LOWER (PA-12)
14	2	21A03356-047	SPREADER BAR
15	6	AN6-16A	BOLT, 3/8-24, 1.1875 GRIP, UNDRILLED, STEEL
16	4	AN5-15A	BOLT, 5/16-24, 1.1875 GRIP, UNDRILLED, STEEL
17	2	AN6-33A	BOLT, 3/8-24 THREAD, 2-13/16" GRIP, 3-29/64 LENGTH
18	4	AN6-34A	BOLT, 3/8-24, 2.9375 GRIP, UNDRILLED, STEEL
19	2	AN5-24A	BOLT, 5/16-24 THREAD, 2-1/16" GRIP, 2-19/32" LENGTH
20	4	AN6-26A	BOLT SIZE 3/8-24, LENGTH 1/64 - 2-53/64, GRIP LENGTH 2-3/16
21	8	AN5-24A	BOLT, 5/16-24 THREAD, 2-1/16" GRIP, 2-19/32" LENGTH
22	8	AN6-41A	BOLT, 3/8-24, 3.5625 GRIP, UNDRILLED, STEEL

PARTS MANUAL
 2100 FLOATS ON PIPER PA-18 & PA-12

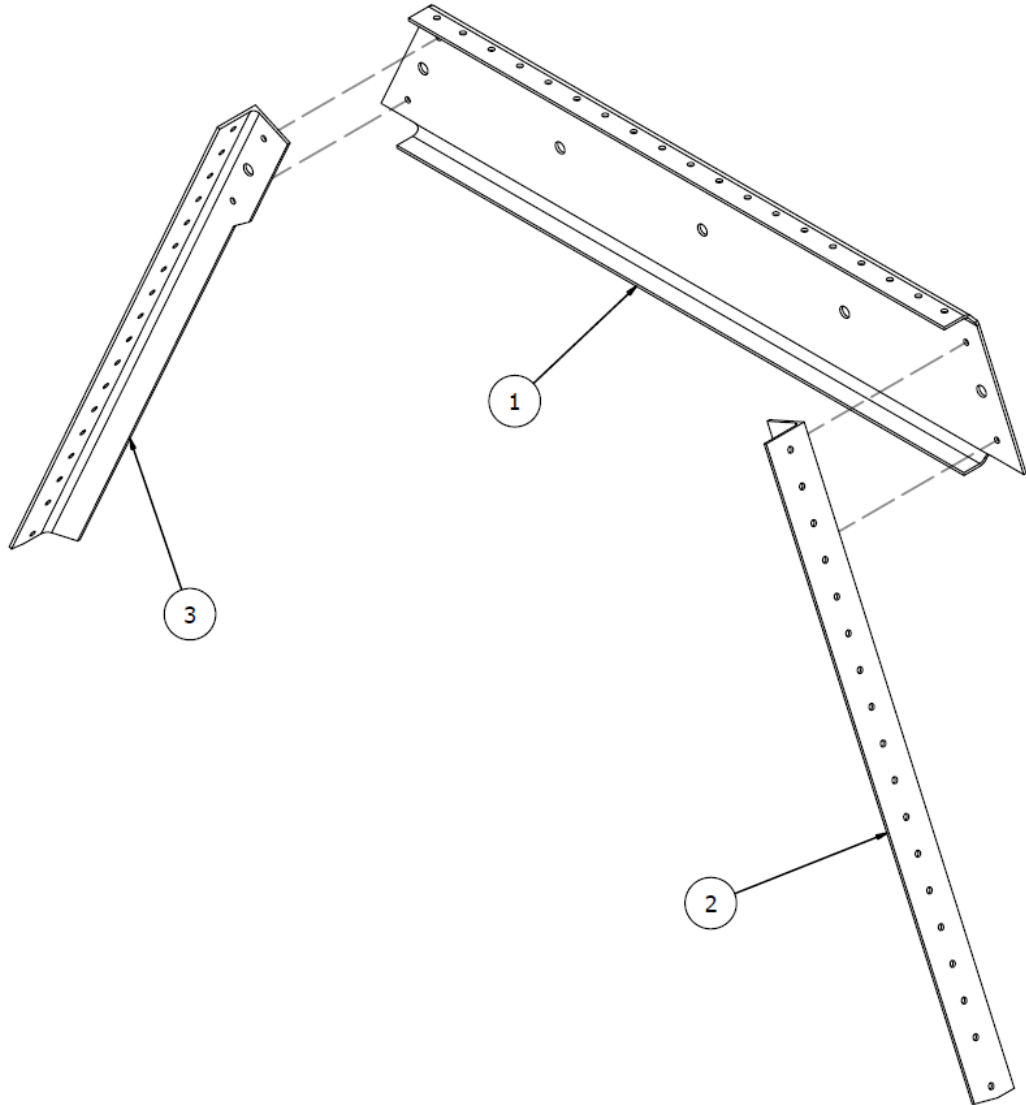
ITEM	QTY	PART NO.	PART DESCRIPTION
23	A/R	NAS1149D0563J	WASHER, 0.328 ID, 0.063 THK, ALUMINUM
24	A/R	NAS1149D0663J	WASHER, 0.39 ID, 0.063 THK, ALUMINUM
25	16	MS21044N5	NUT, LOCKING, REGULAR HEIGHT, 5/16-24 UNF
26	12	MS21044N6	NUT, LOCKING, REGULAR HEIGHT, 3/8-24 UNF
27	1	21A02369-031	STEP, LEFT SIDE
	1	21A02369-032	STEP, RIGHT SIDE
	4	AN3-20A	BOLT, 10-32, 1.625 GRIP, UNDRILLED, STEEL
	1	AN3-22A	BOLT, 10-32, 1.875 GRIP, UNDRILLED, STEEL
	10	NAS1149D0316J	WASHER, 0.203 ID, 0.016 THK, ALUMINUM
	5	MS21044N3	NUT, LOCKING, REGULAR HEIGHT, 10-32 UNF
	5	BPF	HOLE PLUG 1 INCH
	1	1002039	STEP, BOARDING LEFT (OPTIONAL)

FWD SPREADER BAR SUPPORT PANEL ASSEMBLY



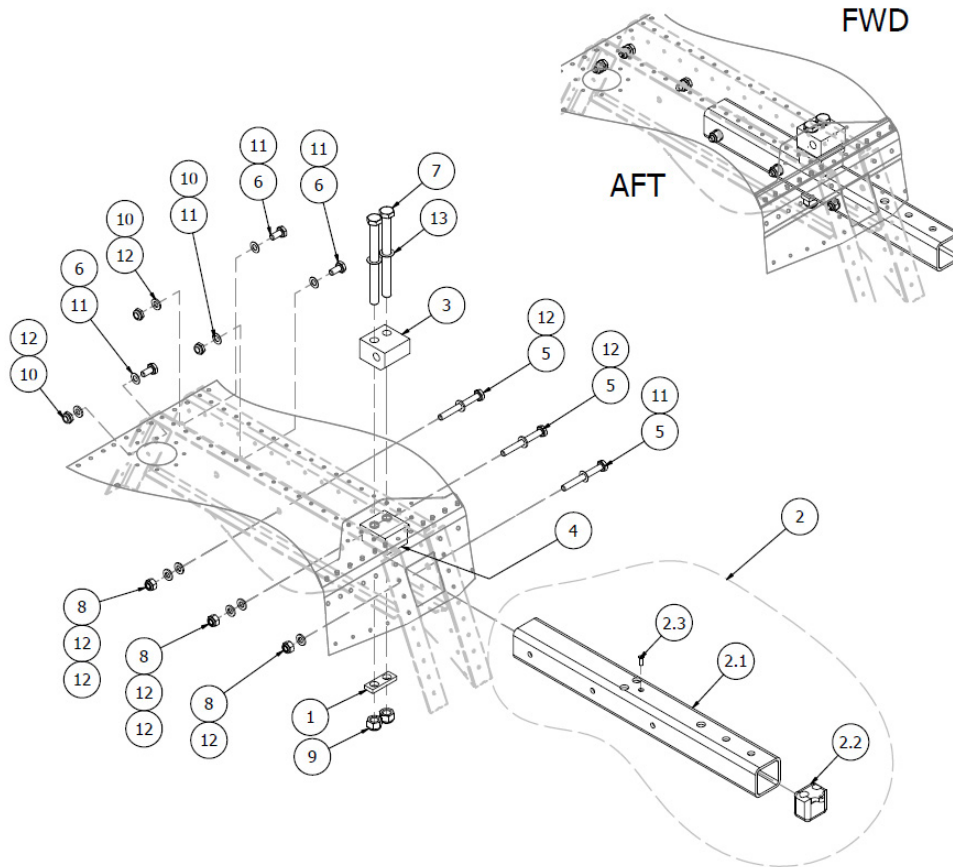
ITEM	QTY	PART NO.	PART DESCRIPTION
-	1	21A01000-260	ASSEMBLY, SPREADER BAR SUPPORT PANEL, FWD, 2100
1	1	21A01163-065	PANEL, SUPPORT, SPREADER BAR
2	1	21A01326-013	ANGLE, SPREADER BAR SUPPORT PANEL, LH
3	1	21A01326-014	ANGLE, SPREADER BAR SUPPORT PANEL, RH

AFT SPREADER BAR SUPPORT PANEL ASSEMBLY



ITEM	QTY	PART NO.	PART DESCRIPTION
-	1	21A01000-259	ASSEMBLY, SPREADER BAR SUPPORT PANEL, AFT
1	1	21A01163-065	PANEL, SUPPORT, SPREADER BAR
2	1	21A01326-009	ANGLE, SPREADER BAR SUPPORT PANEL, RH
3	1	21A01326-010	ANGLE, SPREADER BAR SUPPORT PANEL, LH

SPREADER BAR TUBE MOUNTING



ITEM	QTY	PART NO.	PART DESCRIPTION
1	1	1002009	CLAMP BLOCK, SPREADER BAR
2	1	1012630	ASSEMBLY, TUBE, SPREADER BAR, MOUNTING
2.1	1	21A03115-001	TUBE, SPREADER BAR, MOUNTING
2.2	1	1002012	INSERT, TUBE REINFORCEMENT, SPREADER BAR
2.3	1	CR3212-4-5	RIVET, CHERRY MAX, COUNTERSUNK, 1/8 DIA , 5/16 GRIP
3	1	21A03032-006	FITTING, DECK, STRUT
4	1	21A03214-003	SPACER
5	3	AN4-22A	BOLT, 1/4-28, 1.8125 GRIP, UNDRILLED, STEEL
6	3	AN4-4A	BOLT, 1/4-28, 0.0625 GRIP, UNDRILLED, STEEL
7	2	AN6-41A	BOLT, 3/8-24, 3.5625 GRIP, UNDRILLED, STEEL
8	3	MS21044N4	NUT, LOCKING, REGULAR HEIGHT, 1/4-28 UNF
9	2	MS21044N6	NUT, LOCKING, REGULAR HEIGHT, 3/8-24 UNF
10	3	MS21083N4	NUT, LOCKING, LOW HEIGHT, 1/4-28 UNF
11	5	NAS1149D0416J	WASHER, 0.265 ID, 0.016 THK, ALUMINUM
12	9	NAS1149D0463J	WASHER, 0.265 ID, 0.063 THK, ALUMINUM
13	2	NAS1149F0616P	WASHER, 0.39 ID, 0.016 THK, STEEL

SECTION 10

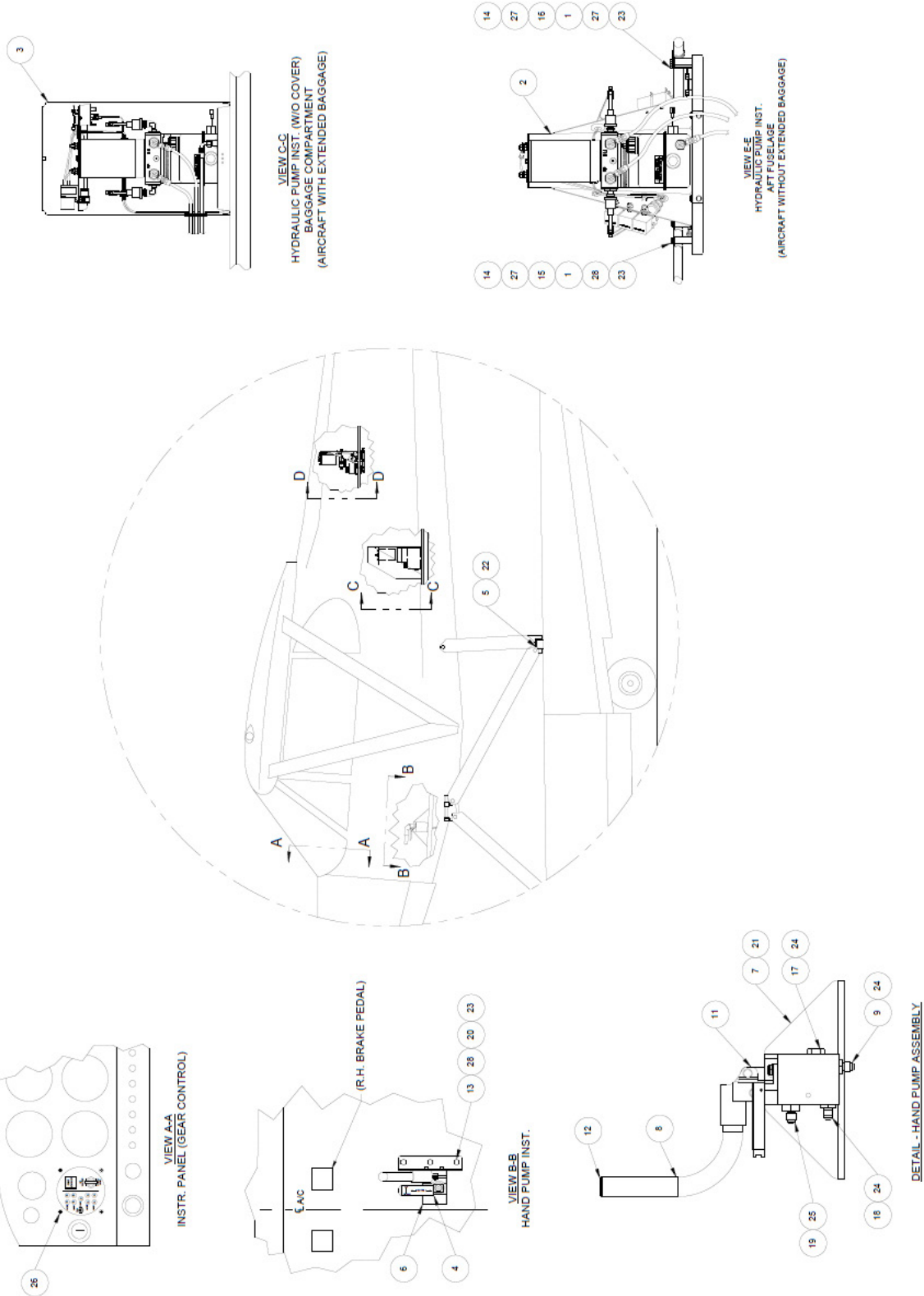
HYDRAULIC SYSTEM

CONTENTS

HYDRAULIC SYSTEM INSTALLATION FOR PA-18 POST SERVICE LETTER 225	94
HYDRAULIC SYSTEM INSTALLATION FOR PA-18 PRE SERVICE LETTER 225.....	96
HYDRAULIC SYSTEM INSTALLATION FOR PA-12 POST SERVICE LETTER 225	98
HYDRAULIC SYSTEM INSTALLATION FOR PA-12 PRE SERVICE LETTER 225.....	100
HYDRAULIC PUMP ASSEMBLY FOR PA-18 POST SERVICE LETTER 225	102
HYDRAULIC PUMP ASSEMBLY FOR PA-18 PRE SERVICE LETTER 225.....	106
HYDRAULIC PUMP ASSEMBLY FOR PA-12 POST SERVICE LETTER 225	109
HYDRAULIC PUMP ASSEMBLY FOR PA-12 PRE SERVICE LETTER 225.....	113
HYDRAULIC PUMP OVERVIEW POST SERVICE LETTER 225	116
HYDRAULIC PUMP OVERVIEW PRE SERVICE LETTER 225	118
HYDRAULIC SCHEMATIC.....	120

HYDRAULIC SYSTEM INSTALLATION FOR PA-18

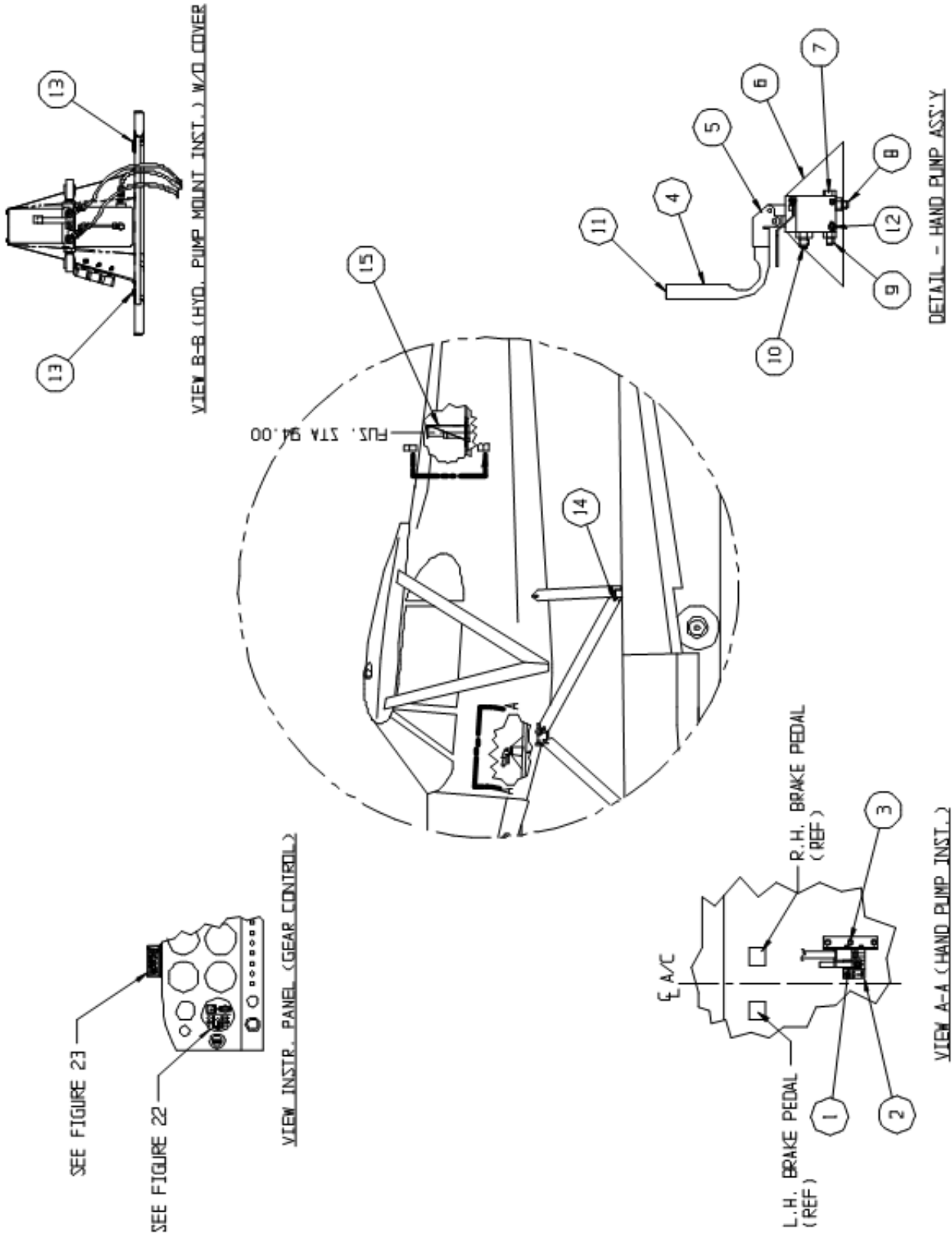
POST SERVICE LETTER 225



PARTS MANUAL
2100 FLOATS ON PIPER PA-18 & PA-12

ITEM	QTY	PART NO.	PART DESCRIPTION
1	6	1011799	SPACER
2	1	1011805	ASSEMBLY, HYDRAULIC POWER PACK, STANDARD BAGGAGE
3	1	1011830	ASSEMBLY, HYDRAULIC POWER PACK, EXTENDED BAGGAGE
4	1	12A3-7379-1	PLACARD, EMERGENCY HAND PUMP
5	2	21A04000-080	ASSEMBLY, BRAKE LINE (NOT SHOWN)
6	1	21A09000-194	ASSEMBLY, HAND PUMP AND BRACKET
7	1	21A09156-129	BRACKET, HAND PUMP ATTACH
8	1	21A09396-001	HANDLE
9	1	21A09746-001	UNION
10	1	21A11158-194	COVER, CONTROL HEAD (ABOVE DASH)
11	1	642873	HAND PUMP (ONLY)
12	1	9283K13	CAP PLUG
13	3	AN3-7A	BOLT, 10-32, 0.5 GRIP, UNDRILLED, STEEL
14	6	AN3-17A	BOLT, 10-32, 1.5 GRIP, UNDRILLED, STEEL
15	3	AN742D10	CLAMP, PLAIN, ALUMINUM, TO FIT 5/8" DIA TUBE
16	3	AN724D12	CLAMP, PLAIN, ALUMINUM, TO FIT 3/4" DIA TUBE
17	1	AN814-4D	PLUG
18	1	AN815-4D	UNION
19	1	AN919-6D	UNION
20	3	AN970-3	WASHER, .203 ID, .875 OD, .063 THICK
21	2	MS16997-77	SOCKET HEAD CAP SCREW, 5/16-18 THREAD
22	2	MS20823-3D	FITTING, 45 DEGREE, TO BOOSTER
23	9	MS21044N3	NUT, LOCKING, REGULAR HEIGHT, 10-32 UNF
24	3	MS28775-012	O-RING, HYDRAULIC PACK, .364 ID
25	1	MS28775-014	O-RING, HYDRAULIC PACK, .489 ID
26	4	MS35214-42	SCREW, 8-32, 0.5 LENGTH
27	9	NAS1149F0332P	WASHER, 0.203 ID, 0.032 THK, STEEL
28	6	NAS1149F0363P	WASHER, 0.203 ID, 0.063 THK, STEEL

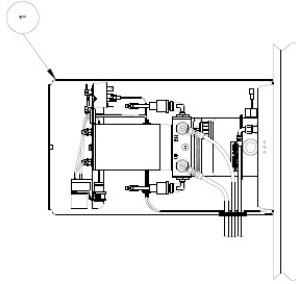
HYDRAULIC SYSTEM INSTALLATION FOR PA-18 PRE SERVICE LETTER 225



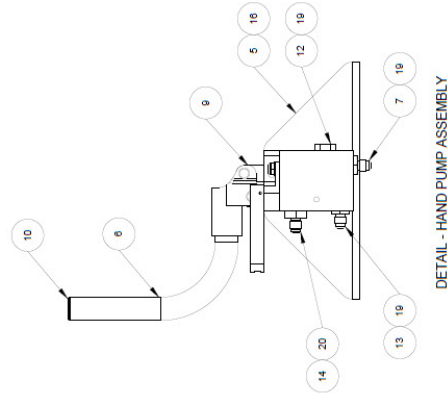
PARTS MANUAL
2100 FLOATS ON PIPER PA-18 & PA-12

ITEM	QTY	PART NO.	PART DESCRIPTION
1	1	21A09000-194	ASS'Y., HAND PUMP
2	1	12A3-7379-1	PLACARD
3	3	AN3-7A	BOLT, 10-32, 0.5 GRIP, UNDRILLED, STEEL
	3	AN970-3	WASHER, .203 ID, .875 OD, .063 THK
	3	NAS1149F0363P	WASHER, 0.203 ID, 0.063 THK, STEEL
	3	MS21044N3	NUT, LOCKING, REGULAR HEIGHT, 10-32 UNF
4	1	21A09396-001	HANDLE
5	1	642873	HAND PUMP (ONLY)
6	1	21A09156-129	BRACKET, PUMP ATTACH
7	1	AN814-4D	PLUG
	1	MS28775-012	O RING, HYDRAULIC PACKING, .364 ID
8	1	21A09746-001	UNION
	1	MS28775-012	O RING, HYDRAULIC PACKING, .364 ID
9	1	AN815-4D	UNION
	1	MS28775-012	O RING, HYDRAULIC PACKING, .364 ID
10	1	AN919-6D	UNION
	1	MS28775-014	"O" RING, HYDRAULIC
11	1	9283K13	CAP PLUG
12	2	MS16997-77	SOCKET HEAD CAP SCREW
	2	NAS1149F0563P	WASHER, 0.328 ID, 0.063 THK, STEEL
13	2	AN742D10	CLAMP, MOUNTING
	2	AN742D12	CLAMP, MOUNTING
	4	AN3-3A	BOLT, 10-32, 0.0625 GRIP, UNDRILLED, STEEL
	8	NAS1149D0316J	WASHER, 0.203 ID, 0.016 THK, ALUMINUM
	4	MS21044N3	NUT, LOCKING, REGULAR HEIGHT, 10-32 UNF
14	2	21A04000-080	ASS'Y., BRAKE LINE (NOT SHOWN)
	2	63-190600-3	FITTING
	2	MS20823-3D	FITTING 45 DEGREES TO BOOSTER
15	1	21A09000-210	ASSEMBLY, HYDRAULIC POWER PACK, 12V

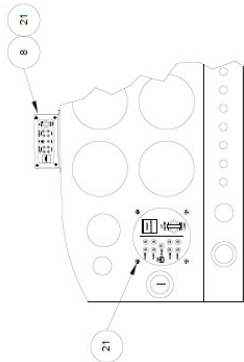
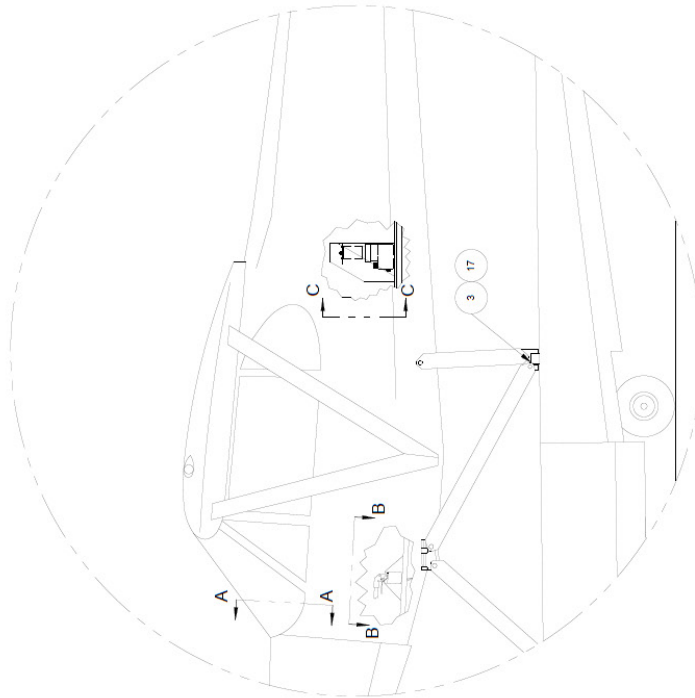
HYDRAULIC SYSTEM INSTALLATION FOR PA-12 POST SERVICE LETTER 225



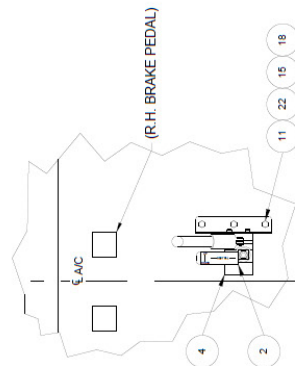
VIEW C-C
HYDRAULIC PUMP INST. (W/O COVER)
PUMP INSTALLATIONS ON PA-12 VARY.
SHOWN HERE IS A COMMON INSTALL.
IN THE BAGGAGE FLOOR



DETAIL - HAND PUMP ASSEMBLY



VIEW A-A
INSTR. PANEL (GEAR CONTROL)

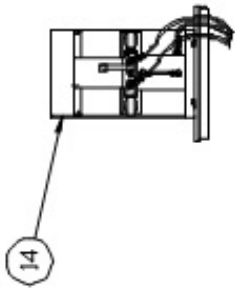


VIEW B-B
HAND PUMP INST.

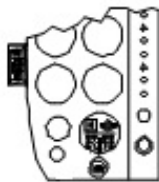
PARTS MANUAL
2100 FLOATS ON PIPER PA-18 & PA-12

ITEM	QTY	PART NO.	PART DESCRIPTION
1	1	1011830	ASSEMBLY, HYDRAULIC POWER PACK
2	1	12A3-7379-1	PLACARD, EMERGENCY HAND PUMP
3	2	21A04000-080	ASSEMBLY, BRAKE LINE (NOT SHOWN)
4	1	21A09000-194	ASSEMBLY, HAND PUMP AND BRACKET
5	1	21A09156-129	BRACKET, HAND PUMP ATTACH
6	1	21A09396-001	HANDLE
7	1	21A09746-001	UNION
8	1	21A11158-194	COVER, CONTROL HEAD (ABOVE DASH)
9	1	642873	HAND PUMP (ONLY)
10	1	9283K13	CAP PLUG
11	3	AN3-7A	BOLT, 10-32, 0.5 GRIP, UNDRILLED, STEEL
12	1	AN814-4D	PLUG
13	1	AN815-4D	UNION
14	1	AN919-6D	UNION
15	3	AN970-3	WASHER, .203 ID, .875 OD, .063 THICK
16	2	MS16997-77	SOCKET HEAD CAP SCREW, 5/16-18 THREAD
17	2	MS20823-3D	FITTING, 45 DEGREE, TO BOOSTER
18	3	MS21044N3	NUT, LOCKING, REGULAR HEIGHT, 10-32 UNF
19	3	MS28775-012	O-RING, HYDRAULIC PACK, .364 ID
20	1	MS28775-014	O-RING, HYDRAULIC PACK, .489 ID
21	4	MS35214-42	SCREW, 8-32, 0.5 LENGTH
22	3	NAS1149F0363P	WASHER, 0.203 ID, 0.63 THK, STEEL

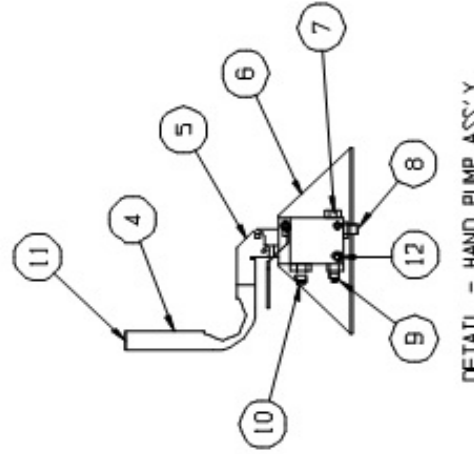
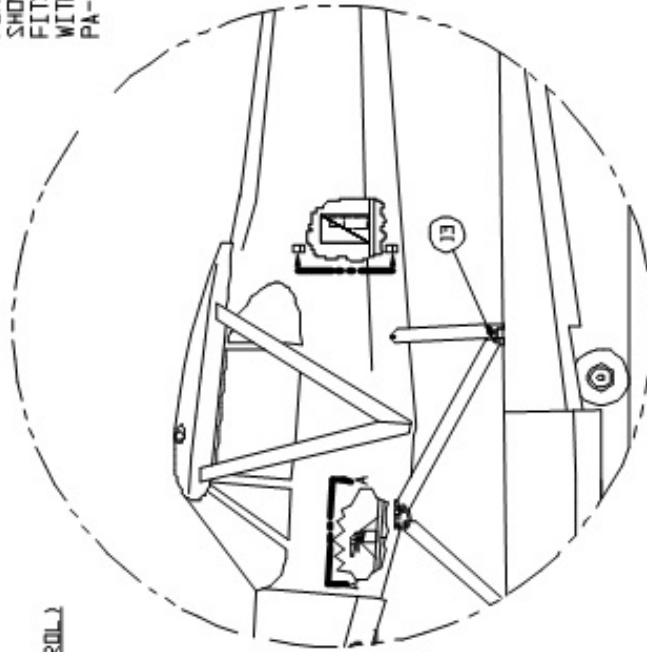
HYDRAULIC SYSTEM INSTALLATION FOR PA-12 PRE SERVICE LETTER 225



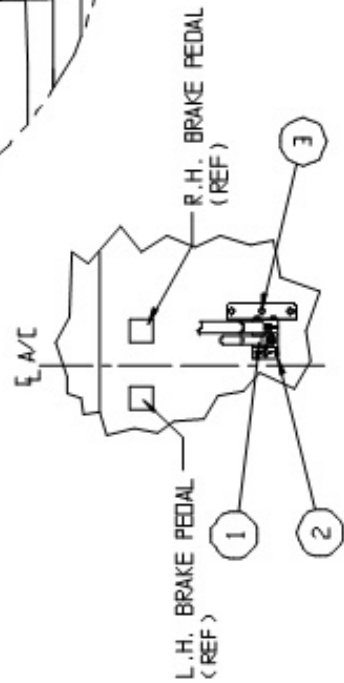
VIEW B-B (HYD. PUMP MOUNT INST.) W/O COVER
PUMP INSTALLATIONS ON PA-12 VARY.
SHOWN HERE IS A COMMON INSTL THAT
FITS ALL PA-12. IF YOUR A/C IS EQUIPPED
WITH A DIFFERENT MOUNT, IT MAY BE A
PA-18



VIEW INSTR. PANEL (GEAR CONTROL)



DETAIL - HAND PUMP ASS'Y



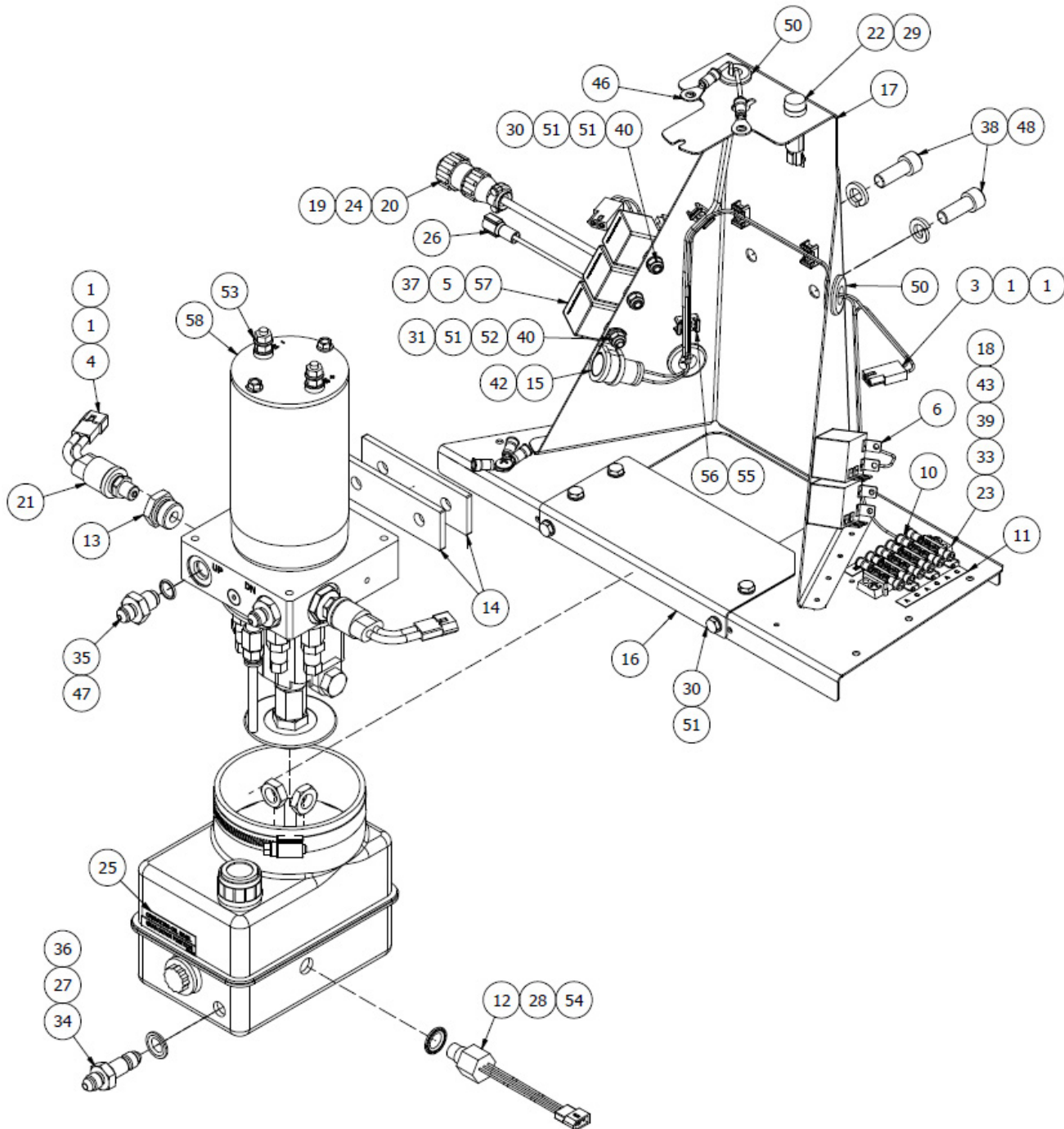
VIEW A-A (HAND PUMP INST.)

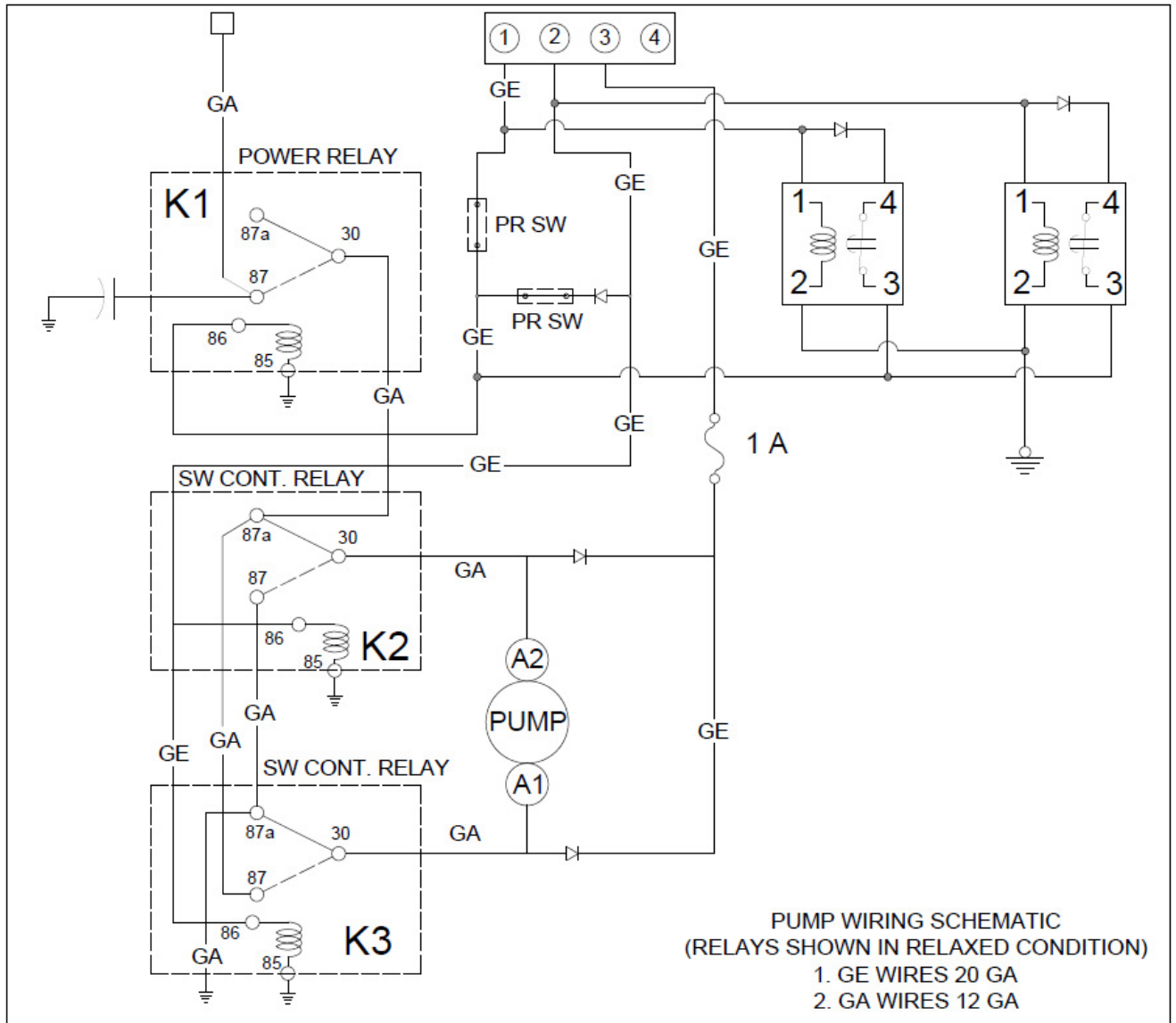
PARTS MANUAL
2100 FLOATS ON PIPER PA-18 & PA-12

ITEM	QTY	PART NO.	PART DESCRIPTION
1	1	21A09000-194	ASS'Y HAND PUMP & BRACKET
2	1	12A3-7379-1	PLACARD
3	3	AN3-7A	BOLT, 10-32, 0.5 GRIP, UNDRILLED, STEEL
	3	AN970-3	WASHER, .203 ID, .875 OD, .063 THK
	3	NAS1149F0363P	WASHER, 0.203 ID, 0.063 THK, STEEL
	3	MS21044N3	NUT, LOCKING, REGULAR HEIGHT, 10-32 UNF
4	1	21A09396-001	HANDLE
5	1	642873	HAND PUMP (ONLY)
6	1	21A09156-129	BRACKET, PUMP ATTACH
7	1	AN814-4D	PLUG
	1	MS28775-012	O RING, HYDRAULIC PACKING, .364 ID
8	1	21A09746-001	UNION
	1	MS28775-012	O RING, HYDRAULIC PACKING, .364 ID
9	1	AN815-4D	UNION
	1	MS28775-012	O RING, HYDRAULIC PACKING, .364 ID
10	1	AN919-6D	UNION
	1	MS28775-014	"O" RING, HYDRAULIC
11	1	9283K13	CAP PLUG
12	2	MS16997-77	SOCKET HEAD CAP SCREW
	2	NAS1149F0563P	WASHER, 0.328 ID, 0.063 THK, STEEL
13	2	21A04000-080	ASS'Y., BRAKE LINE (NOT SHOWN)
	2	63-190600-3	FITTING, AERO QUIP HOSE #3
	2	MS20823-3D	FTG. 45 DEGREES TO BOOSTER
14	1	21A09000-210	ASSEMBLY, HYDRAULIC POWER PACK, 12V

HYDRAULIC PUMP ASSEMBLY FOR PA-18

POST SERVICE LETTER 225





ITEM	QTY	PART NO.	PART DESCRIPTION
-	1	1011805	ASSEMBLY, HYDRAULIC POWER PACK, 12V
1	4	02-09-1104	PIN, CRIMP FEMALE, 1/8" DIA
2	4	02-09-2118	PIN, CRIMP MALE, 1/8" DIA
3	2	03-09-1022	CONNECTOR PLUG, MALE, 2 CONN.
4	2	03-09-2022	CONNECTOR PLUG, FEMALE
5	14	1-901-355-917	TERMINAL
6	1	1005042	TIMER RELAY HARNESS
7	1	1009143-01	PLACARD, K1 INDICATOR (NOT SHOWN)
8	1	1009143-02	PLACARD, K2 INDICATOR (NOT SHOWN)
9	1	1009143-03	PLACARD, K3 INDICATOR (NOT SHOWN)

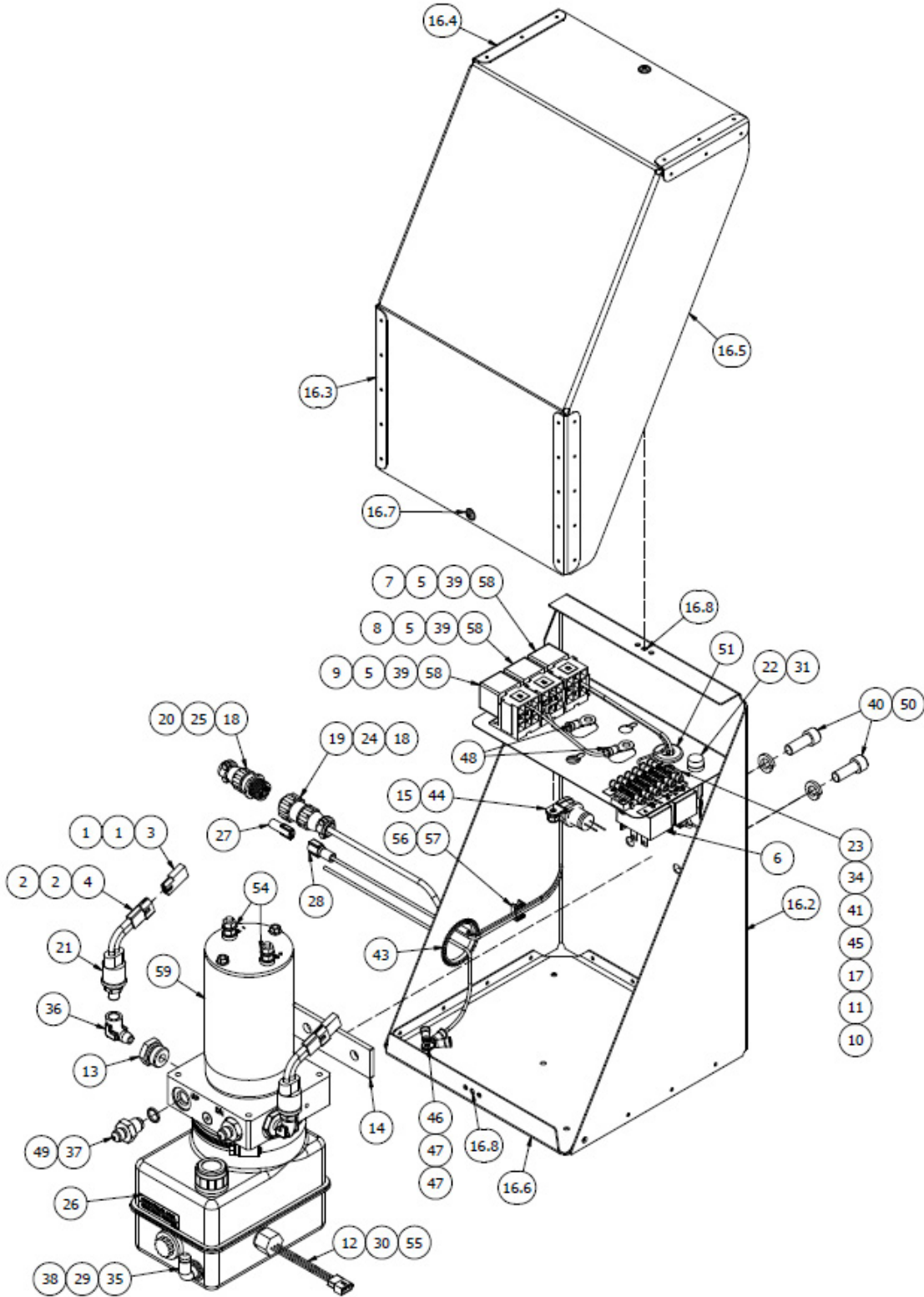
ITEM	QTY	PART NO.	PART DESCRIPTION
10	1	1009144-01	PLACARD, CR INDICATOR
11	1	1009144-02	PLACARD, AC INDICATOR
12	1	1009428	ASSEMBLY, SENSOR, FLUID LEVEL
13	2	1011062	ASSEMBLY, PLUG, PRESSURE SWITCH PORT
14	2	1011624	SPACER, HYDRAULIC PUMP
15	1	1011798	ASSEMBLY, CAPACITOR
16	1	1011800	REMOVABLE PLATE, HYDRAULIC PUMP ASSEMBLY, PA-18
17	1	1011803	ASSEMBLY, HYDRAULIC PUMP BRACKET, PA-18
18	3	1N4004	DIODE
19	1	206062-3	CLAMP, CABLE, CPC SIZE 11
20	1	206429-1	PLUG, MALE, CPC SIZE 1, 4 PIN
21	2	20PS001EB 700W500W	PRESSURE SWITCH
22	1	3453LF2A	FUSE HOLDER
23	1	6-140	TERMINAL BLOCK, 6 CONNECTOR
24	3	66103-4	PIN, CRIMP SOCKET, 24-20G
25	1	6A3-2199	PLACARD, OIL LEVEL
26	1	73M-250-32-NL	CONNECTOR, MALE, 10-12 AWG, FULLY INSULATED
27	1	93783A032	SEALING WASHER
28	1	93786A200	PRESSURE-SEALING WASHER, M12
29	1	AGC-1	FUSE, 250V, (S2565-1)
30	7	AN3-3A	BOLT, 10-32, 0.0625 GRIP, UNDRILLED, STEEL
31	1	AN3-5A	BOLT, 10-32, 0.25 GRIP, UNDRILLED, STEEL
32	1	AN526C1032R8	SCREW, MACHINE, TRUSS HEAD
33	2	AN526C632R8	SCREW, MACHINE, TRUSS HEAD
34	1	AN832-4D	UNION-4D
35	2	AN919-3D	FITTING, REDUCER
36	1	AN924-4D	JAM NUT
37	3	BR05-FW	SOCKET, 5 PRONG, PLASTIC
38	2	MS16997-99	SCREW, CAP, SOCKET HEAD
39	2	MS21044N06	NUT, LOCKING, REGULAR HEIGHT, 6-32 UNC
40	3	MS21044N3	NUT, LOCKING, REGULAR HEIGHT, 10-32 UNF
41	1	MS21045-3	NUT, SELF LOCKING
42	1	MS21919WDG10	CLAMP, LOOP, CUSHIONED, 5/8 TUBE OD
43	12	MS25036-102	RING TERMINAL, #6 STUD, 16-22 AWG, RED
44	1	MS25036-103	RING TERMINAL, #10 STUD, 22-16 AWG, RED
45	2	MS25036-112	RING TERMINAL, #10 STUD, 10-12 AWG, YELLOW
46	2	MS25036-157	RING TERMINAL, 1/4 STUD, 10-12 AWG, YELLOW
47	2	MS28775-013	"O" RING, HYDRAULIC
48	2	MS35338-46	WASHER, SPLIT
49	1	MS35489-11	GROMMET, RUBBER

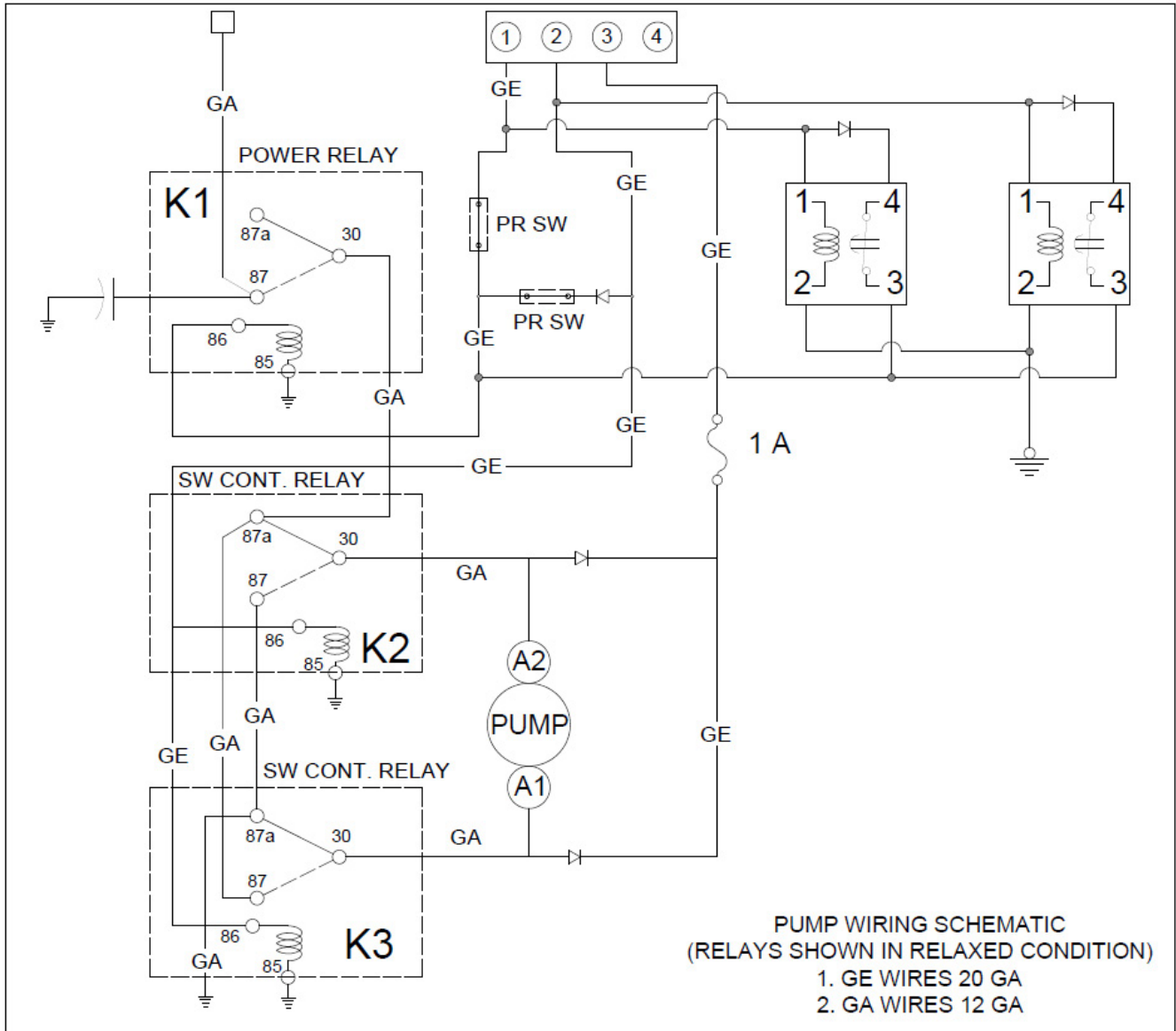
PARTS MANUAL
 2100 FLOATS ON PIPER PA-18 & PA-12

ITEM	QTY	PART NO.	PART DESCRIPTION
50	2	MS35489-14	GROMMET, RUBBER
51	10	NAS1149F0332P	WASHER, 0.203 ID, 0.032 THK, STEEL
52	1	NAS1149F0363P	WASHER, 0.203 ID, 0.063 THK, STEEL
53	2	NAS1149F0432P	WASHER, 0.265 ID, 0.032 THK, STEEL
54	1	NJAM12X1.0CLZ	NUT, JAM, M12X1.0, ZINC
55	4	S2230-1	RIVET
56	4	TM2S6-M	CABLE TIE MOUNT
57	3	V23234- A0001-X032	RELAY, 12V, 5 PRONG
58	1	YBZS- C0.63W1T100K/ UVZOT2	HYDRAULIC POWER PACK, 12VDC, .64 PUMP

ITEM	QTY	PART NO.	PART DESCRIPTION
11	1	21A09000-209	ASSEMBLY, HYD. PUMP BRACKET, (PA-18)
12	1	21A09000-215	ASSEMBLY, HYDRAULIC PUMP, 12V
13	6 FT	22759-16-12-9	WIRE, 12 AWG, WHITE
14	10.1 FT	22759-16-20-9	WIRE, 20 AWG, WHITE
15	1	73F-250-32-NL	CONNECTOR, FEMALE, 10-12 AWG
	1	73M-250-32-NL	CONNECTOR, MALE, 10-12 AWG
16	1	3453LF2A	FUSE HOLDER
17	1	6-140	TERMINAL BLOCK, 6 CONNECTOR
18	3	66103-4	PIN, CRIMP SOCKET, 24-20G
19	3	66105-4	CRIMP SOCKET, FEMALE
20	1	AGC-1	FUSE, 250V
21	3	AN3-3A	BOLT, 10-32, 0.0625 GRIP, UNDRILLED, STEEL
22	2	AN526-632R8	SCREW, MACHINE, TRUSS HEAD
23	3	BR05FW	SOCKET, 5 PRONG, PLASTIC
24	1.5 FT	HS105-3/16-0	HEAT SHRINK, TUBING, BLACK
25	2	MS16997-96	SOCKET HEAD CAP SCREW
26	2	MS21044N06	NUT, LOCKING, REGULAR HEIGHT, 6-32 UNC
27	3	MS21044N3	NUT, LOCKING, REGULAR HEIGHT, 10-32 UNF
28	2	MS35338-46	WASHER, SPLIT, CARBON STEEL
29	1	MS35489-14	GROMMET, RUBBER
30	4	NAS1149D0363J	WASHER, 0.203 ID, 0.063 THK, ALUMINUM
31	6	NAS1149F0332P	WASHER, 0.203 ID, 0.032 THK, STEEL
32	12	MS25036-102	RING TERMINAL, #6 STUD, 16-22 AWG, RED

HYDRAULIC PUMP ASSEMBLY FOR PA-12 POST SERVICE LETTER 225





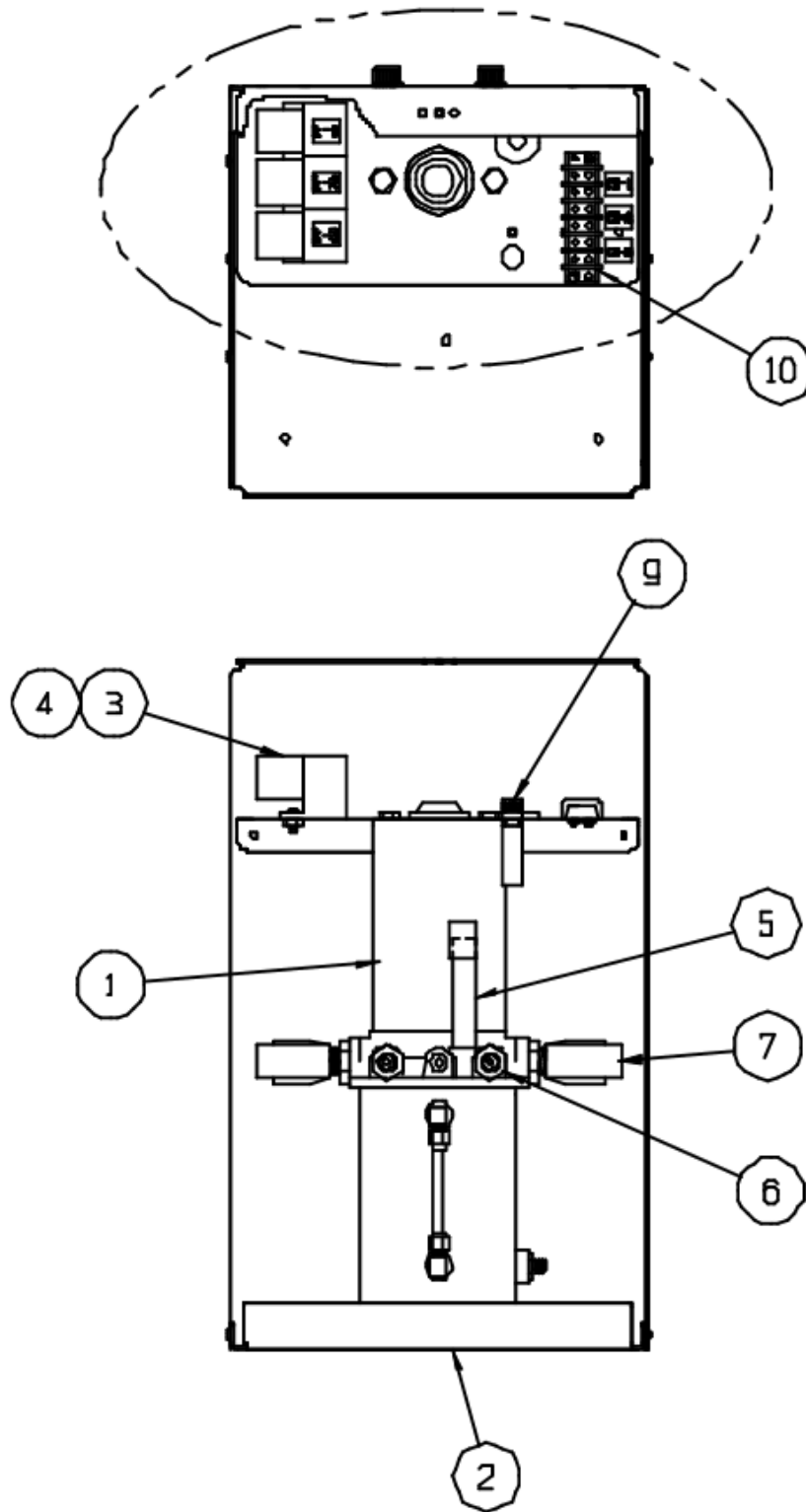
ITEM	QTY	PART NO.	PART DESCRIPTION
-	1	1011830	ASSEMBLY, HYDRAULIC POWER PACK
1	4	02-09-1104	PIN, CRIMP FEMALE, 1/8" DIA
2	4	02-09-2118	PIN, CRIMP MALE, 1/8" DIA
3	2	03-09-1022	CONNECTOR PLUG, MALE, 2 CONN.
4	2	03-09-2022	CONNECTOR PLUG, FEMALE
5	14	1-901-355-917	TERMINAL
6	1	1005042	TIMER RELAY HARNESS
7	1	1009143-01	PLACARD, K1 INDICATOR
8	1	1009143-02	PLACARD, K2 INDICATOR
9	1	1009143-03	PLACARD, K3 INDICATOR

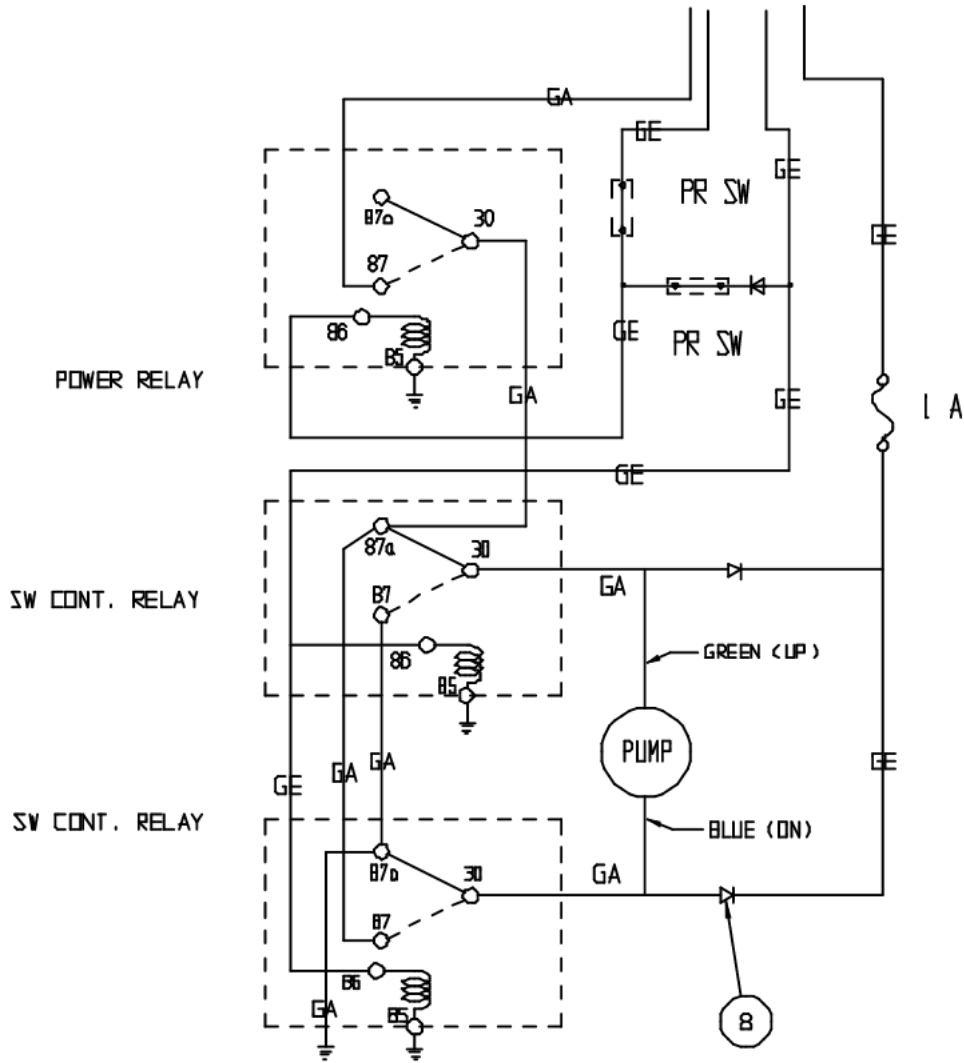
PARTS MANUAL
2100 FLOATS ON PIPER PA-18 & PA-12

ITEM	QTY	PART NO.	PART DESCRIPTION
10	1	1009144-01	PLACARD, CR INDICATOR
11	1	1009144-02	PLACARD, AC INDICATOR
12	1	1009428	ASSEMBLY, SENSOR, FLUID LEVEL
13	2	1011062	ASSEMBLY, PLUG, PRESSURE SWITCH PORT
14	1	1011624	SPACER, HYDRAULIC PUMP
15	1	1011798	ASSEMBLY, CAPACITOR
16	1	1011829	ASSEMBLY, BRACKET, HYDRAULIC PUMP
16.1	1	1011620	TOP PLATE, HYDRAULIC PUMP
16.2	1	1011806	BRACKET, HYDRAULIC PUMP
16.3	2	1011807	LOWER ANGLE, BRACKET, HYDRAULIC PUMP
16.4	2	1011826	UPPER ANGLE, BRACKET, HYDRAULIC PUMP
16.5	1	1011828	COVER, BRACKET, HYDRAULIC PUMP
16.6	1	21A09162-061	BOTTOM PLATE, BRACKET, HYDRAULIC PUMP
16.7	2	AN525-10R7	SCREW, WASHER HEAD, 10-32
16.8	2	MS21047L3	NUT PLATE, FIXED, STEEL, PLAIN, 10-32
17	3	1N4004	DIODE, 2-1/2"
18	2	206062-3	CLAMP, CABLE, CPC SIZE 11
19	1	206429-1	PLUG, MAL, CPC SIZE 1, 4 PIN
20	1	206430-2	CPC FREE HANG, 4 PIN, FEMALE
21	2	20PS001EB 700W500W	PRESSURE SWITCH
22	1	3453LF2A	FUSE HOLDER
23	1	6-140	TERMINAL BLOCK, 6 CONNECTOR
24	3	66103-4	PIN, CRIMP SOCKET, 24-20G
25	3	66105-4	CRIMP SOCKET, FEMALE
26	1	6A3-2199	PLACARD, OIL LEVEL
27	1	73F-250-32-NL	CONNECTOR, FEMALE, 10-12 AWG, FULLY INSULATED
28	1	73M-250-32-NL	CONNECTOR, MALE, 10-12 AWG, FULLY INSULATED
29	1	93783A032	SEALING WASHER
30	1	93786A200	PRESSURE-SEALING WASHER, M12
31	1	AGC-1	FUSE, 250V, (S2565-1)
32	2	AN3-3A	BOLT, 10-32, 0.0625 GRIP, UNDRILLED, STEEL
33	1	AN3-5A	BOLT, 10-32, 0.25 GRIP, UNDRILLED, STEEL
34	2	AN526C632R8	SCREW, MACHINE, TRUSS HEAD
35	1	AN833-4D	FITTING, HYDRAULIC, 90 DEGREES ELBOW
36	2	AN914-1D	ELBOW, 90 DEGREES, INTERNAL EXTERNAL PIPE
37	2	AN919-3D	FITTING, REDUCER
38	1	AN924-4D	JAM NUT
39	3	BR05-FW	SOCKET, 5 PRONG, PLASTIC
40	2	MS16997-99	SCREW, CAP, SOCKET HEAD
41	2	MS21044N06	NUT, LOCKING, REGULAR HEIGHT, 6-32 UNC

ITEM	QTY	PART NO.	PART DESCRIPTION
42	3	MS21044N3	NUT, LOCKING, REGULAR HEIGHT, 10-32 UNF
43	1	MS21266-2N	CATERPILLAR GROMMET
44	1	MS21919WDG10	CLAMP, LOOP, CUSHIONED, 5/8 TUBE OD
45	12	MS25036-102	RING TERMINAL, #6 STUD, 16-22 AWG, RED
46	1	MS25036-103	RING TERMINAL, #10 STUD, 22-16 AWG, RED
47	2	MS25036-112	RING TERMINAL, #10 STUD, 10-12 AWG, YELLOW
48	2	MS25036-157	RING TERMINAL, 1/4 STUD, 10-12 AWG, YELLOW
49	2	MS28775-013	"O" RING, HYDRAULIC
50	2	MS35338-46	WASHER, SPLIT
51	1	MS35489-14	GROMMET, RUBBER
52	5	NAS1149F0332P	WASHER, 0.203 ID, 0.032 THK, STEEL
53	1	NAS1149F0363P	WASHER, 0.203 ID, 0.063 THK, STEEL
54	2	NAS1149F0432P	WASHER, 0.265 ID, 0.032 THK, STEEL
55	1	NJAM12X1.0CLZ	NUT, JAM, M12X1.0, ZINC
56	3	S2230-1	RIVET, POP
57	3	TM2S6-M	CABLE TIE MOUNT
58	3	V23234- A0001-X032	RELAY, 12V, 5 PRONG
59	1	YBZS- C0.63W1T100K/ UVZOT2	HYDRAULIC POWER PACK, 12VDC, .64 PUMP

HYDRAULIC PUMP ASSEMBLY FOR PA-12 PRE SERVICE LETTER 225





ELECTRICAL SCHEMATIC

PUMP WIRING SCHEMATIC
(RELAYS SHOWN IN RELAXED CONDITION)

1. GE WIRES 20 GA
2. GA WIRES 12 GA
3. FOR WIRING REF DVG. 10C1-6028

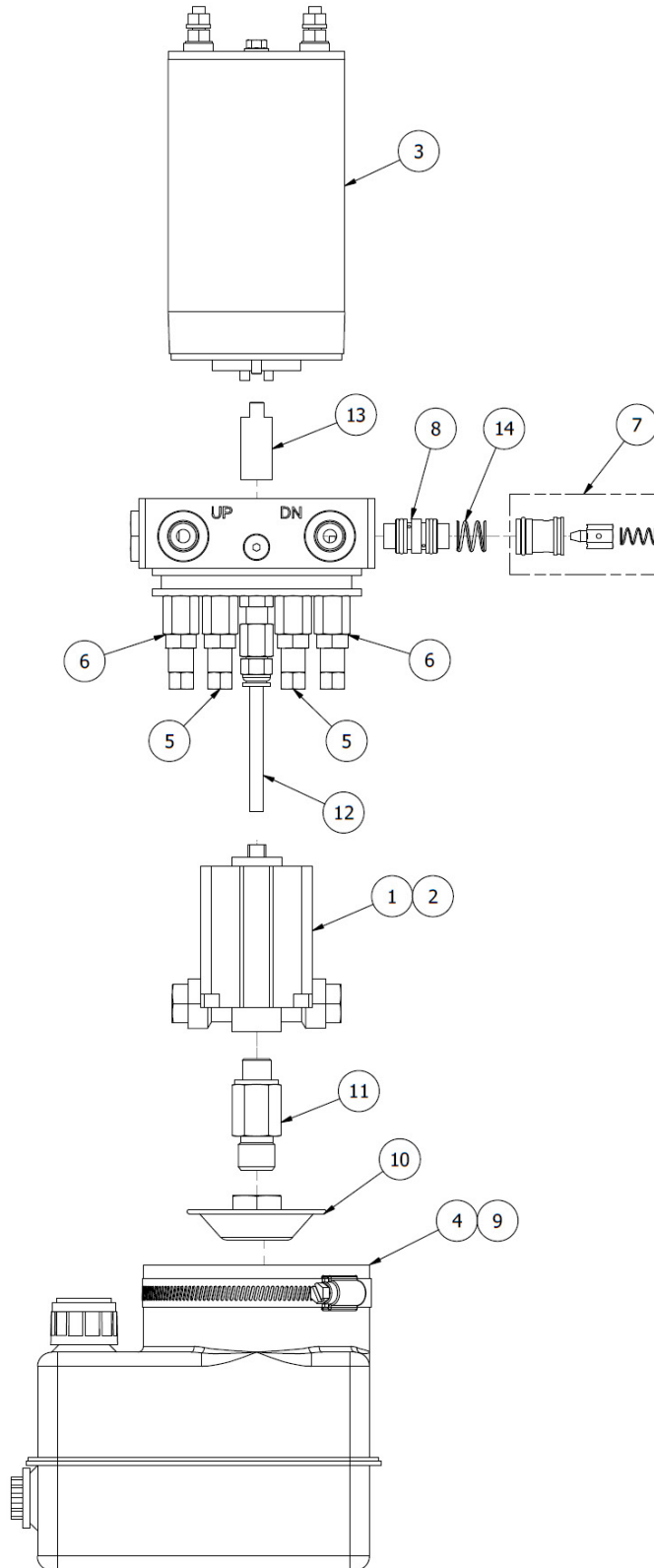
ITEM	QTY	PART NO.	PART DESCRIPTION
-	1	21A09000-233	HYD. PUMP COMPLETE WITH MOUNT
1	1	21A09000-215	HYD. PUMP 12V (COMPLETE)
2	1	21A09000-232	ASS'Y., MOUNT WITH COVER
	2	MS16997-96	CAP, SCREW ATTACH TO PUMP
	2	MS353338-46	LOCK WASHER
3	3	0-332-209-137	RELAY

PARTS MANUAL
2100 FLOATS ON PIPER PA-18 & PA-12

ITEM	QTY	PART NO.	PART DESCRIPTION
4	3	BR05FW	SOCKET, RELAY
	15	1-901-355-917	TERMINAL
	1	AN3-4A	BOLT, 10-32, 0.125 GRIP, UNDRILLED, STEEL
	2	AN3-3A	BOLT, 10-32, 0.0625 GRIP, UNDRILLED, STEEL
	6	NAS1149F0332P	WASHER, 0.203 ID, 0.032 THK, STEEL
	3	MS21044N3	NUT, LOCKING, REGULAR HEIGHT, 10-32 UNF
5	1	21A09274-006	STAND PIPE
	1	MS28775-011	"O" RING, HYDRAULIC
	1	6A09706-001	FILTER, HYDRAULIC PIPE
6	2	AN804-4D	TEE FITTING
	2	MS28775-012	O RING, HYDRAULIC PACKING, .364 ID
	1	AN815-4D	UNION
7	2	20PS001EB 700W500W	PRESSURE, SWITCH
8	3	IN4004	DIODE
9	1	AGC-1	FUSE
10	1	6-140	TERMINAL STRIP
	2	AN520-6R8	SCREW
	2	MS21044N06	NUT, LOCKING, REGULAR HEIGHT, 6-32 UNC

HYDRAULIC PUMP OVERVIEW

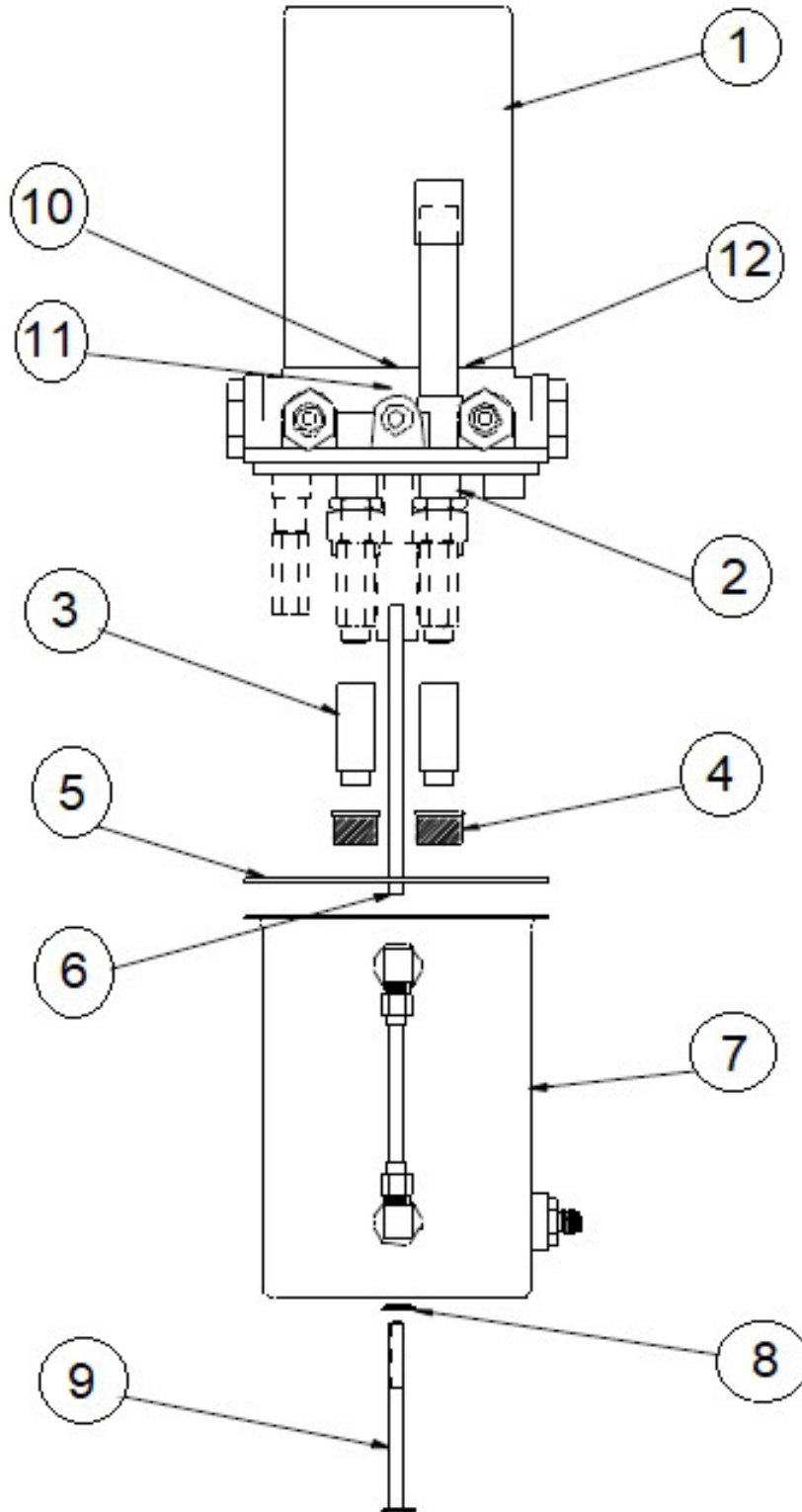
POST SERVICE LETTER 225



PARTS MANUAL
2100 FLOATS ON PIPER PA-18 & PA-12

ITEM	QTY	PART NO.	PART DESCRIPTION
1	1	202-0003	BI-DIRECTIONAL PUMP, 0.64 ML/R
2	1	299-0008	SEAL KIT, BI-DIRECTIONAL GEAR PUMP
3	1	610-0010	DC MOTOR, 12V, .8KW
4	1	622-0016	RESERVOIR, 1 QT.
5	2	631-0005	PRESSURE RELIEF VALVE
6	2	631-0006	THERMAL RELIEF VALVE
7	2	632-0004	ASSEMBLY, PILOT OPERATED CHECK VALVE
8	1	637-0024	SHUTTLE VALVE
9	1	681-0050	CLAMP, HOSE, 1 LITER PLASTIC RESERVOIR
10	1	682-0019	FILTER, PICKUP TUBE, HYDRAULIC PUMP
11	1	682-0055	SUCTION HEX TUBE
12	1	682-0056	RETURN TUBE
13	1	683-0011	COUPLING, MOTOR TO PUMP
14	2	685-0012	SPRING, SHUTTLE VALVE
15	1	687-0001	SEAL KIT, RESERVIOR O-RING, PILOT OPERATED RELIEF VALVE O-RING, THERMAL AND PRESSURE RELIEF VALVE O-RING (NOT SHOWN)

HYDRAULIC PUMP OVERVIEW PRE SERVICE LETTER 225

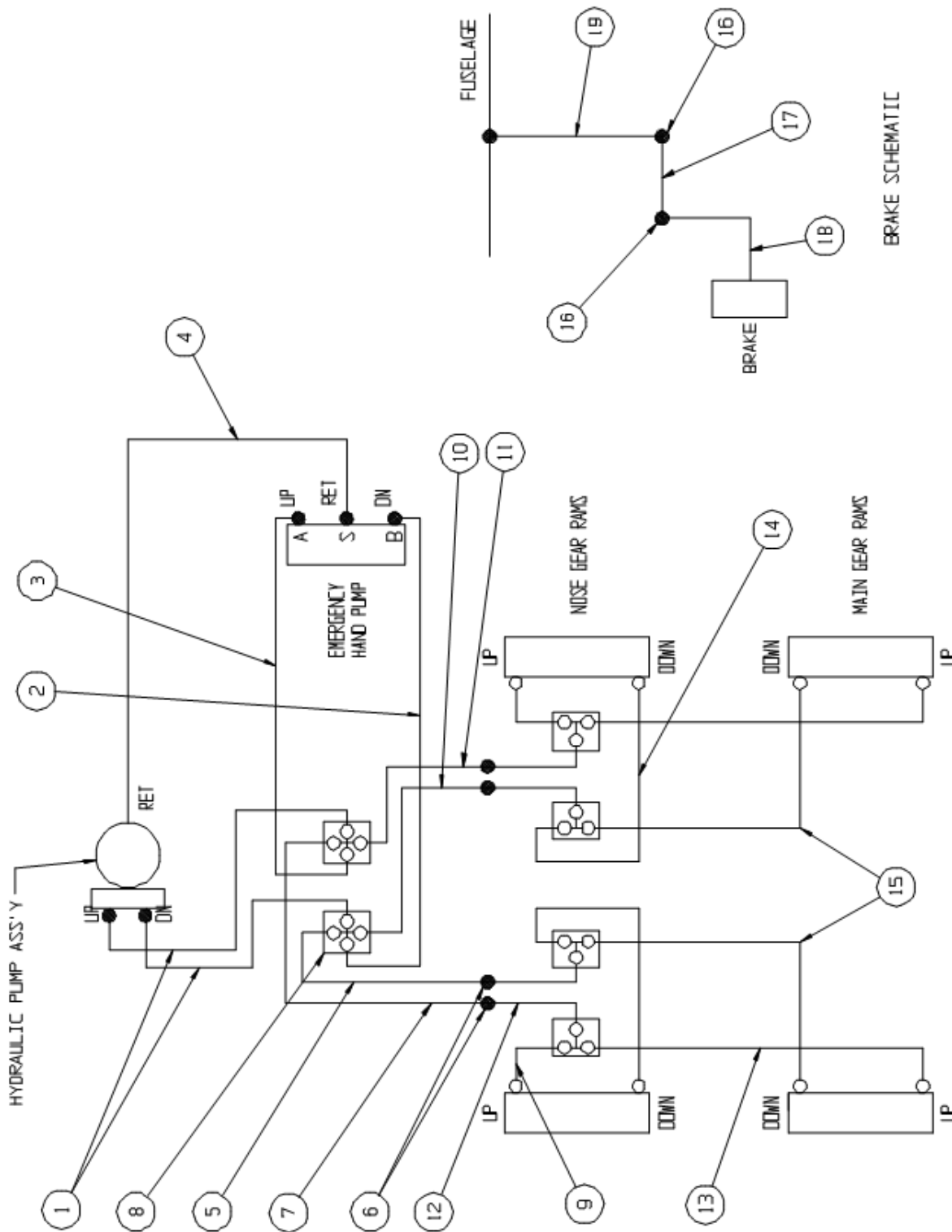


PARTS MANUAL
2100 FLOATS ON PIPER PA-18 & PA-12

ITEM	QTY	PART NO.	PART DESCRIPTION
1	1	21A09000-215	HYDRAULIC PUMP ASSY. (12V)
	1	410497*	MOTOR (12V)
2	1	634873	BASIC PUMP
3	2	362136	TUBE EXTENSIONS
4	2	410521*	FILTER
5	1	410578*	SEAL RESERVIOR
6	1	365047	RETURN TUBE
7	1	775260	RESERVIOR – GAUGE ASSY.
8	1	415067	SEAL THREAD
9	1	409715*	SCREW – RESERVIOR ATTACH
10	1	361183*	COUPLING – MOTOR TO PUMP
11	1	410512	SEAL – PUMP SHAFT
12	1	405673	O-RING, BI-DIRECTIONAL MOTOR TO ADAPTOR

* Reference Wipaire drawing 1011065 for alternate part numbers.

HYDRAULIC SCHEMATIC



BRAKE SCHEMATIC

PARTS MANUAL
2100 FLOATS ON PIPER PA-18 & PA-12

ITEM	QTY	PART NO.	PART DESCRIPTION
1	2	21A09000-204	ASSEMBLY, HOSE – PUMP TO 4 WAY TO TEE
2	1	21A09000-223	ASSEMBLY, HOSE – 4 WAY TEE L. TO H. PUMP
3	1	21A09000-207	ASSEMBLY, HOSE – 4 WAY TEE R. TO H. PUMP
4	1	21A09000-208	ASS'Y HOSE-PUMP TANK TO HAND PUMP
5	1	21A09000-206	ASSEMBLY, HOSE – 4 WAY TEE R. FLOAT
6	4	AN833-4D	FITTING, ELBOW (DECK FITTING)
	4	AN924-4D	NUT, TUBE, 7/16-20 THREAD
	4	NAS1149D0763J	WASHER, 0.453 ID, 0.063 THK, ALUMINUM
7	1	21A09000-205	ASSEMBLY, HOSE – 4 WAY TEE TO L. FLOAT
8	2	AN827-4D	CROSS FITTING, FLARED TUBE, 1/4" TUBE, 7/16-20 THREAD
9	2	21A09000-218	ASSEMBLY, HOSE – NOSE UP TO TEE
10	1	21A09000-205	ASSEMBLY, HOSE – 4 WAY TEE TO L. FLOAT
11	1	21A09000-206	ASSEMBLY, HOSE – 4 WAY TEE R. FLOAT
12	4	21A09000-222	ASSEMBLY, HOSE – TEE TO TOP UP – DN
13	2	21A09000-220	ASSEMBLY, HOSE – MAIN UP TO TEE
14	2	21A09000-219	ASSEMBLY, HOSE – NOSE DN TO TEE
15	2	21A09000-221	ASSEMBLY, HOSE – MAIN DN TO TEE
16	2	AN833-3D	FITTING, HYDRAULIC, 90° ELBOW
	4	NAS1149D0663J	WASHER, 0.39 ID, 0.063 THK, ALUMINUM
	2	AN924-3D	NUT, TUBE, 3/8-24 THREAD
17	1	21A04000-079	ALUM BRAKE LINE
18	1	21A04000-078	HYD. LINE ASSY. WHEEL WELL BRAKE LINE
19	2	21A04000-080	ASS'Y., BRAKE LINE (FUSELAGE TO DECK)

THIS PAGE INTENTIONALLY LEFT BLANK

SECTION 11

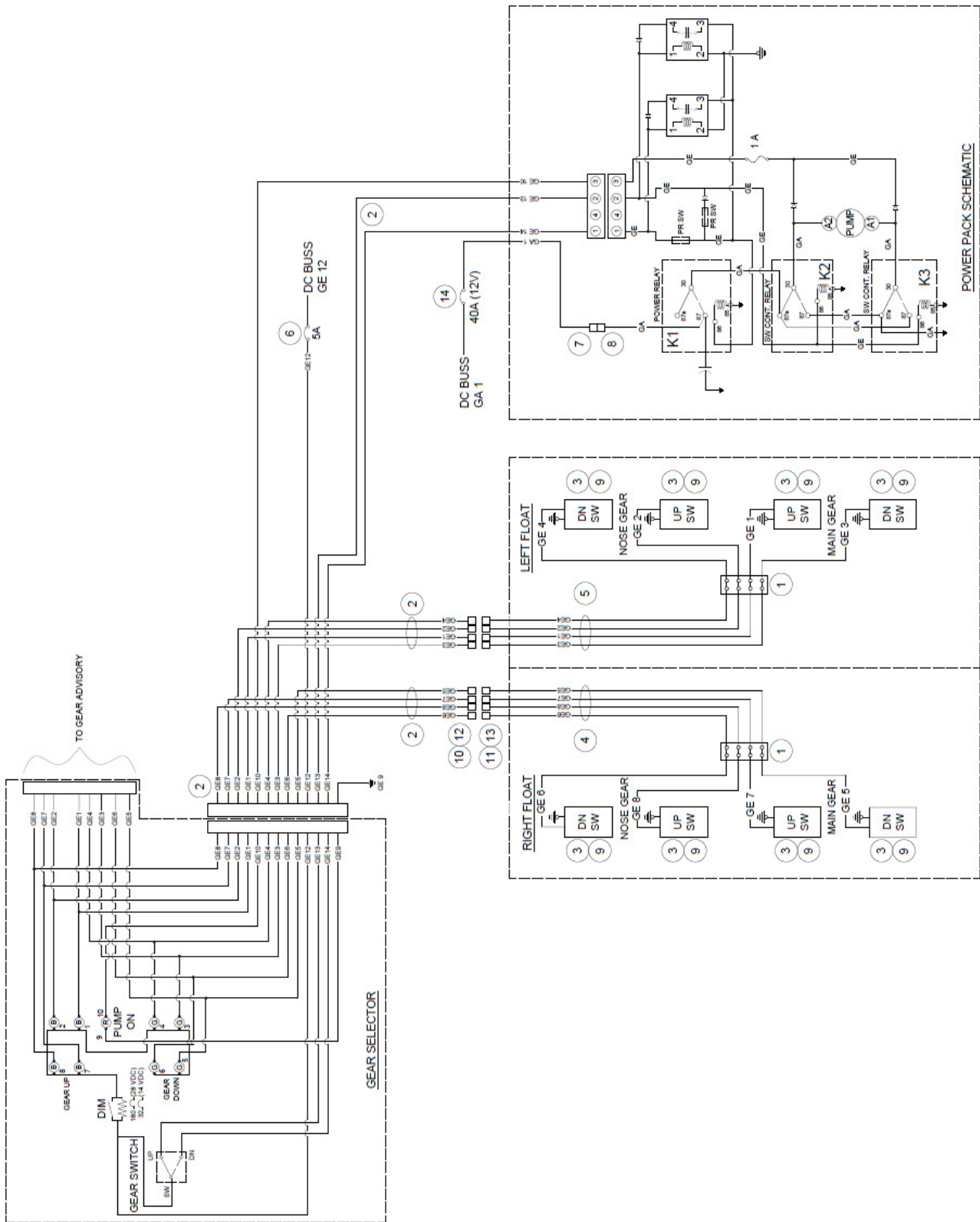
ELECTRICAL

CONTENTS

ELECTRICAL SCHEMATIC POST SERVICE LETTER 225.....	124
ELECTRICAL SCHEMATIC PRE SERVICE LETTER 225	126
GEAR CONTROL (ROUND)	128
GEAR CONTROL (RECTANGLE)	131

ELECTRICAL SCHEMATIC

POST SERVICE LETTER 225

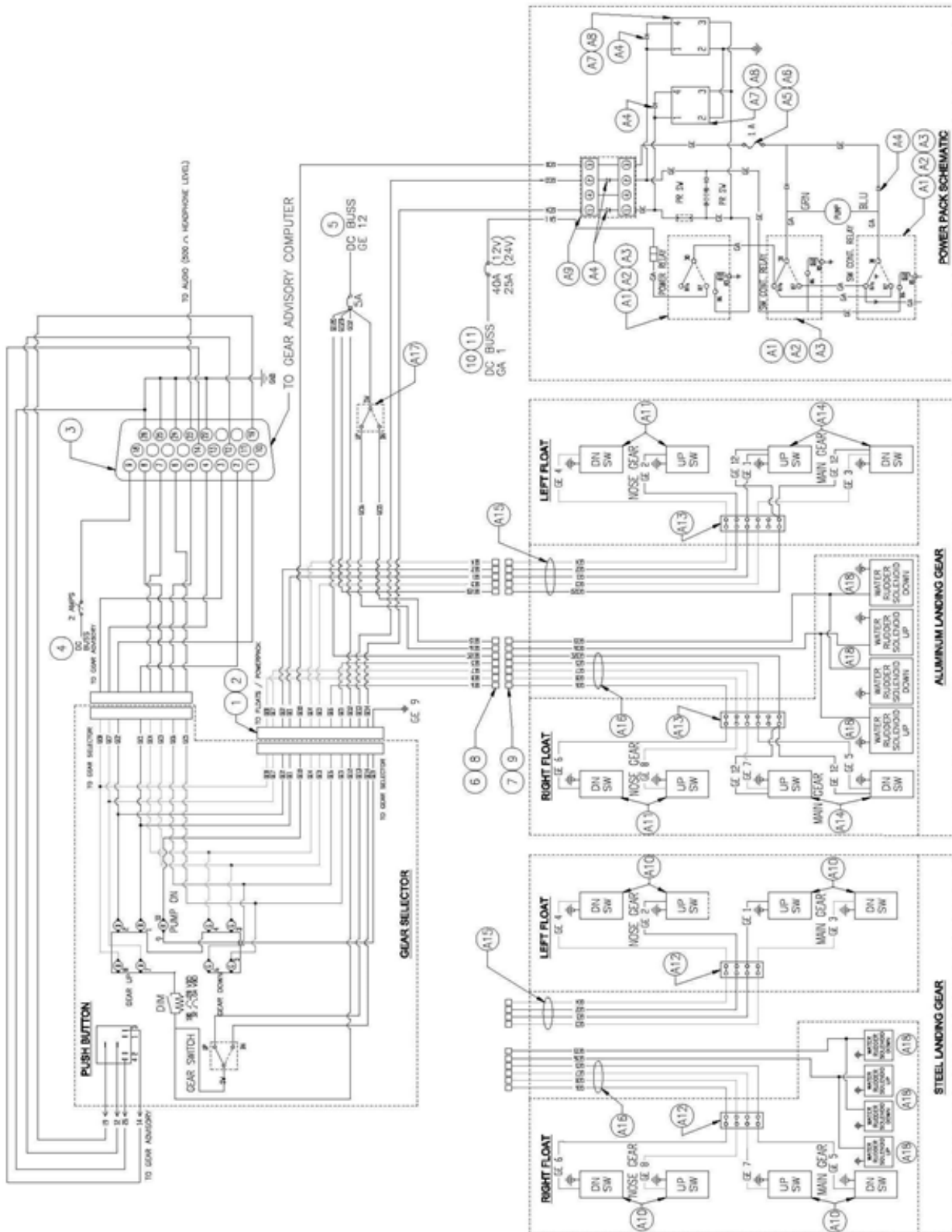


PARTS MANUAL
2100 FLOATS ON PIPER PA-18 & PA-12

ITEM	QTY	PART NO.	PART DESCRIPTION
1	2	4-140	TERMINAL BLOCK, 4 POSITION
2	1	4A11000-011	WIRE HARNESS, GEAR SELECTOR, FLOATS, HYD. PUMP
3	8	5801	GEAR POSITION SWITCH, PROXIMITY, MAGNETIC
4	1	6A10000-004	WIRE HARNESS, LEFT FLOAT
5	1	6A10000-005	WIRE HARNESS, RIGHT FLOAT
6	1	7277-2-5	CIRCUIT BREAKER, 5 AMP
7	1	73F-250-32-NL	CONNECTOR, FEMALE, 12-10 AWG
8	1	73M-250-32-NL	CONNECTOR, MALE, 12-10 AWG
9	8	21A09005-262	CLIP, GEAR POSITION SWITCH HOLDER
10	8	S1635-1	PIN
11	8	S1636-1	SOCKET
12	8	S1637-1	HOUSING
13	8	S1637-2	HOUSING
14	1	W23-X1A1G-40	CIRCUIT BREAKER, 40 AMP, 12VDC

ELECTRICAL SCHEMATIC

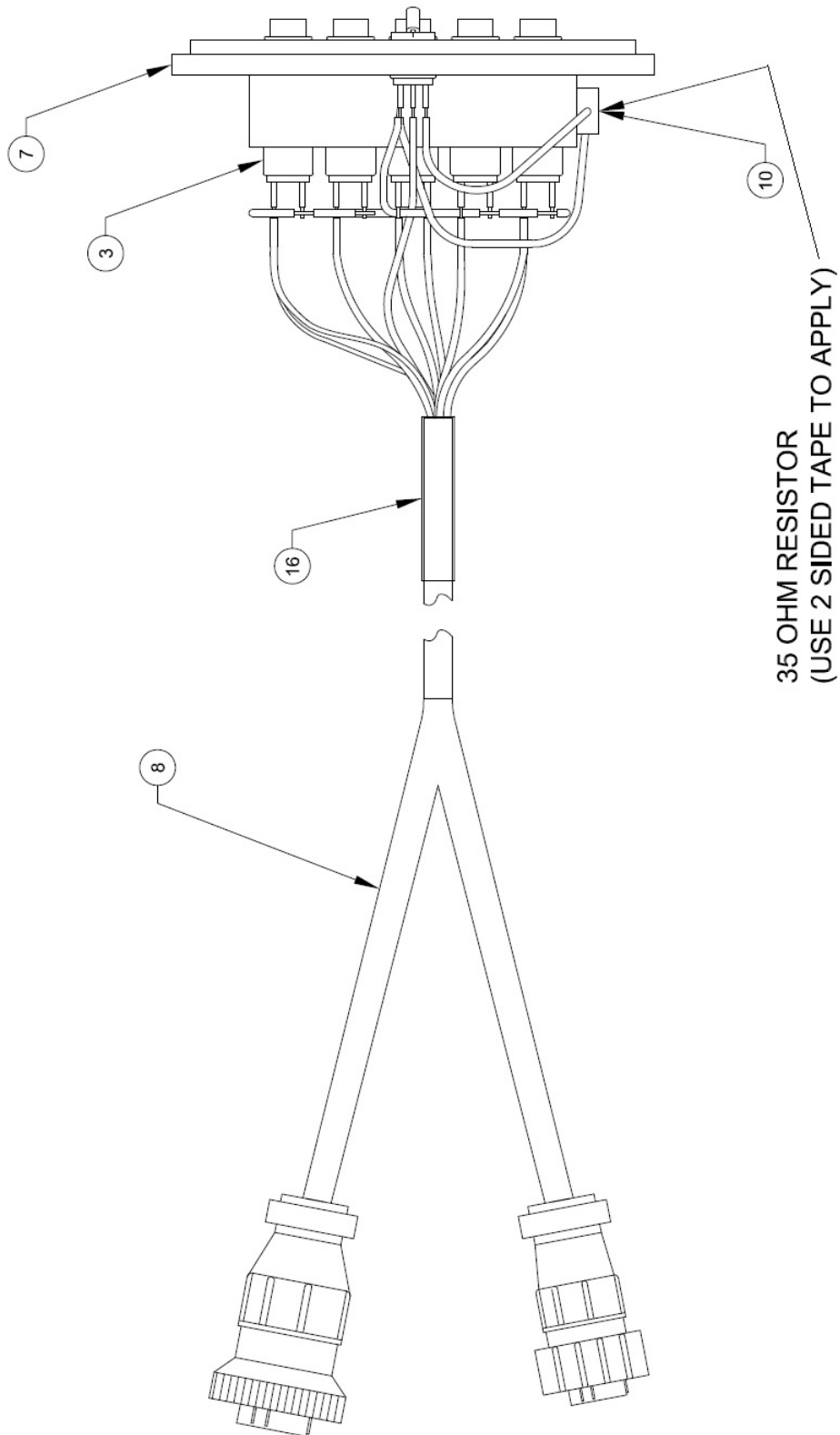
PRE SERVICE LETTER 225

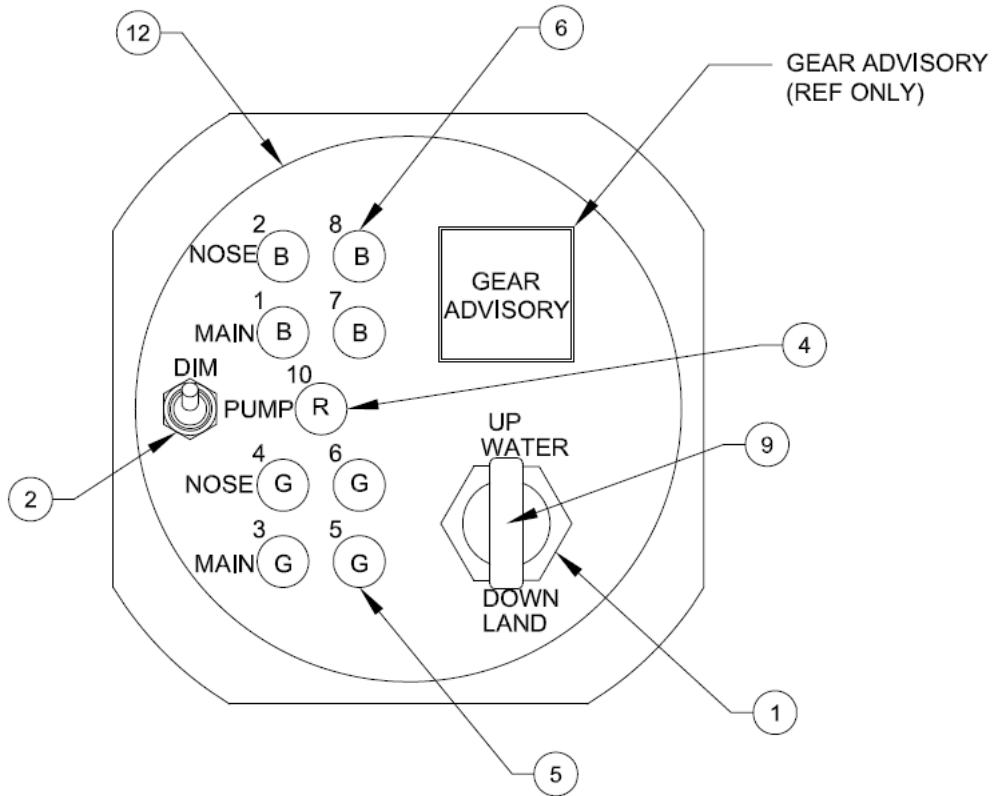
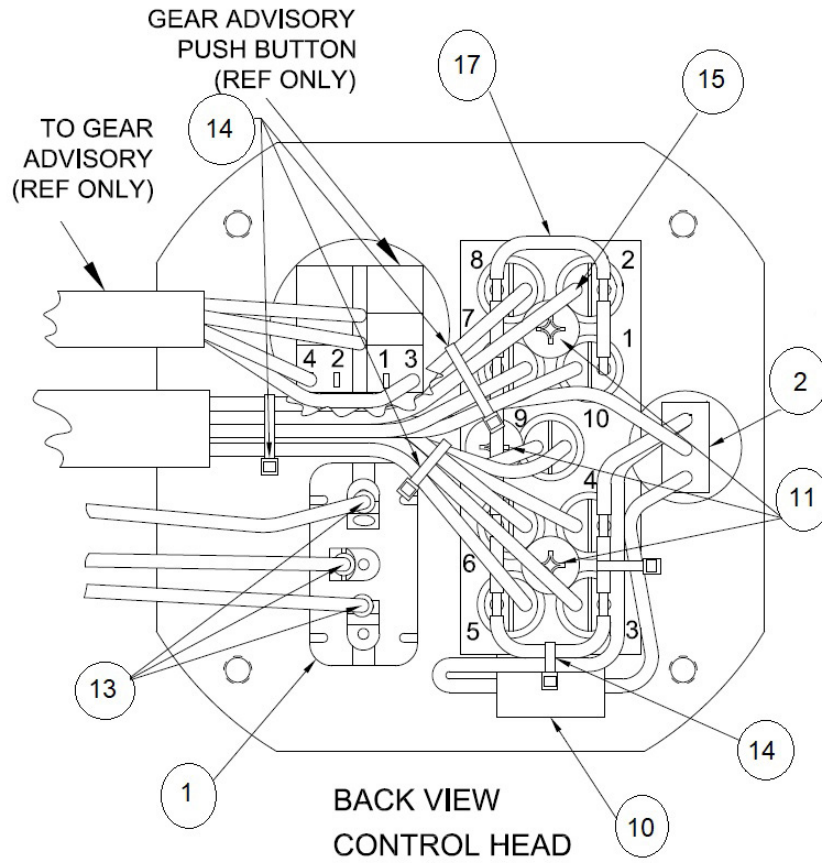


PARTS MANUAL
2100 FLOATS ON PIPER PA-18 & PA-12

ITEM	QTY	PART NO.	PART DESCRIPTION
1	1	4A11000-011	ASSEMBLY, GEAR SELECTOR WIRING HARNESS
3	1	4A11000-014	ASSEMBLY, WIRING HARNESS, GEAR ADVISORY
4	1	7277-2-2	KLIXON CIRCUIT BREAKER, 2 AMP
5	1	7277-2-5	KLIXON CIRCUIT BREAKER, 5 AMP
6	8	S1635-1SF	PIN
7	8	S1636-1	SOCKET
8	8	S1637-1	HOUSING
9	8	S1637-2	HOUSING
11	1	W-23-X1A1G-40	BREAKER, CIRCUIT, 40AMP
A1	3	0-332-209-211	RELAY, 24V, 5 PRONG
A3	3	BR05FW	SOCKET, 5 PRONG, PLASTIC
A4	7	1N4004	DIODE, 2-1/2"
A5	1	AGC-1	FUSE, 250V, (S2565-1)
A6	1	3453LF2A	FUSE HOLDER
A7	2	1005042	ASSEMBLY, TIMER RELAY HARNESS (12V SYSTEM)
A9	1	1004949	CABLE, DIODE ADAPTER
A10	8	5801	SWITCH, SENSOR
A12	2	4-140	4 LUG TERMINAL BLOCK
A15	1	6A10000-004	ASSEMBLY, WIRE HARNESS, LEFT FLOAT
A16	1	6A10000-005	ASSEMBLY, WIRE HARNESS, RIGHT FLOAT

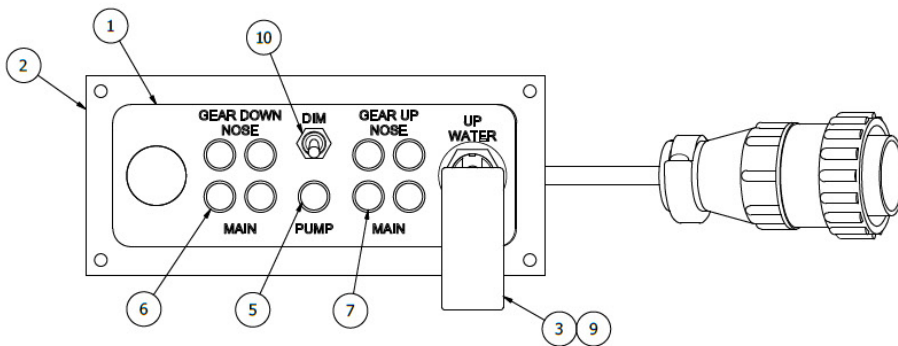
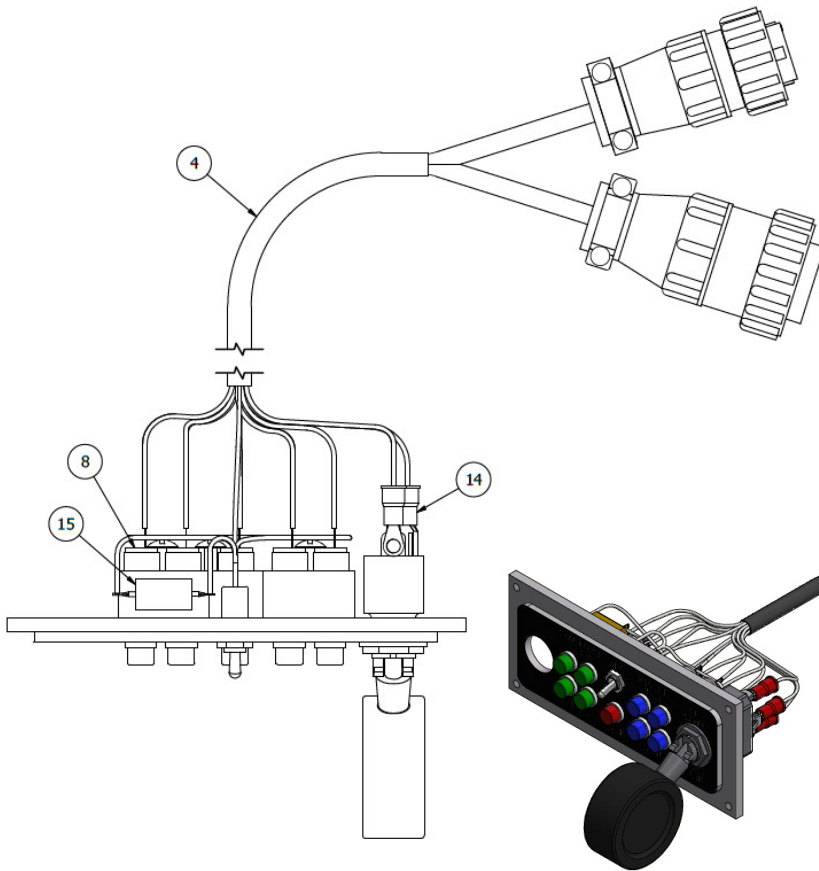
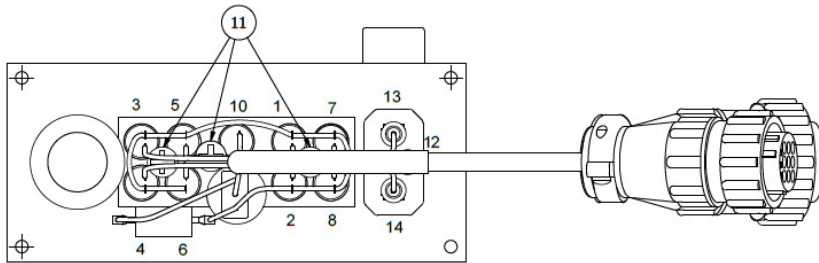
GEAR CONTROL (ROUND)





ITEM	QTY	PART NO.	PART DESCRIPTION
-	1	21A11000-009	GEAR SELECTOR ASSY. ROUND (12V)
1	1	8857K44	SWITCH
2	1	A101SYCB	TOGGLE SWITCH, SPDT, ON-ON
3	9	515-0012	SOCKET
4	1	507-3914-1431-600F	INDICATOR LAMP, 14V, RED
5	4	507-3914-1432-600F	INDICATOR LAMP, 14V, GREEN
6	4	507-3914-1434-600F	INDICATOR LAMP, 14V, BLUE
7	1	21A11179-001	BLOCK, GEAR CONTROL
8	1	4A11000-008	HARNESS ASSEMBLY, GEAR SELECTOR
9	1	21A11259-003	GEAR SWITCH KNOB
10	1	RH-5-35	RESISTOR, 14V, DALE RH5 5W
11	3	AN526-632R8	SCREW, TRUSS HEAD, 6-32
12	1	10B3-6202	PLACARD, ROUND 2100 GEAR SELECTOR
13	3	MS25036-102	RING CONNECTOR, #6, 20 AWG, RED
14	5	PLT1M-M	CABLE TIE
15	16 IN	HIXR-3/16	SHRINK WRAP, 3/16, WHITE
16	3 IN	HS105-1/2-0	HEAT SHRINK TUBING
17	6 IN	22759-16-20-9	WIRE, 20 AWG, WHITE

GEAR CONTROL (RECTANGLE)



ITEM	QTY	PART NO.	PART DESCRIPTION
-	1	21A11000-010	ASSEMBLY, INDICATOR, GEAR CONTROL, SQUARE, 12V
1	1	10B3-6277	PLACARD, GEAR CONTROL SQUARE
2	1	21A11179-002	BLOCK GEAR CONTROL SQUARE
3	1	21A11259-003	GEAR SWITCH KNOB
4	1	4A11000-008	WIRING HARNESS ASSY. SELECTOR
	3 IN	HS105-1/2-0	HEAT SHRINK TUBING
5	1	507-3914-1431-600F	LAMP LIGHT, RED 14V
6	4	507-3914-1432-600F	LAMP LIGHT, GREEN 14V
7	4	507-3914-1434-600F	LAMP LIGHT, BLUE, 14V
8	9	515-0012	SOCKET
9	1	8857K44	SWITCH
10	1	A101SYCB	TOGGLE SWITCH
11	3	AN526-632R8	SCREW, TRUSS HEAD MACHINE, 6-32 THREAD, 1/2" LENGTH
12	12"	HS105-3/32-0	HEAT SHRINK, TUBING - BLACK
13	3	PLT1M-M	CABLE TIE, NYLON, WHITE, 4" (SMALL)
14	3	MS25036-102	TERMINAL, RING #6 STUD, 16-22 AWG, RED
15	1	RH-5-35	RESISTOR, 14V, DALE RH5 5W
16	6 IN	22759-16-20-9	WIRE, 20AWG, WHITE (NOT SHOWN)
17	16 IN	HIXR-3/16	SHRINK WRAP, 3/16, WHITE (NOT SHOWN)