



WIPLINE FLOATS • SKIS • MODIFICATIONS • AIRCRAFT SALES
AVIONICS • INTERIOR • MAINTENANCE • PAINT REFINISHING



**PARTS MANUAL
FOR
WIPLINE MODEL 2350 FLOATS
ON
CESSNA 172 & 175 SERIES**

Revision P

1700 Henry Ave. - Fleming Field (KSGS), South St. Paul, MN 55075
Ph: 651.451.1205 Fax: 651.457.7858
www.wipaire.com

THIS PAGE INTENTIONALLY LEFT BLANK

LOG OF REVISIONS

| Revision | Pages Affected | Description | Date |
|----------|-------------------------------------|--|------------|
| A | 53-59 | Added Grove/Wipaire drawing and parts list and revised table of contents. | 12/12/2005 |
| B | 42, 50 | Nose and main gear retraction cylinder p/n changed. | 3/20/2006 |
| C | 20-26 | Changed float deck p/ns. | 8/3/2006 |
| D | All | Changed p/ns for main gear bushings. Added part number and revision to all pages. Ref 4 – drag wire 1002111 was 21A02000-136. Ref 10–wire pull 21A02462-005 was 21A02519-008. | 11/3/2006 |
| E | 44, 51 | Hydraulic cylinder part numbers changed. | 7/21/2007 |
| F | Multiple pages updated | Many pages changed with updated part numbers for parts. New figure added for water rudder. | 9/1/2010 |
| G | All | Reformatted entire manual, update to part sales dept page, added new warranty and customer information, updated hyd. pump, gear selector, strut, step, steering/retract, wires and spreader bar, electrical schematic images and BOMs, corrected multiple clerical errors and incorrect part/item callouts, added grove nose wheel, washer 415067 was 359071, replaced nose gear retraction fig. 10 and BOM, replaced water rudder fig. 9 and BOM. | 7/7/2014 |
| H | 3 | Removed Warranty Claim Form | 3/31/2016 |
| J | 11, 15-16, 17, 20-21, 49-51, 69, 70 | Updated bulkhead assembly drawings and part numbers for amphibian and seaplane. Added hardware to Nose Gear Retraction Assembly. Changed Tire AA104 to AA1D4. Changed Brake Pad from 66-111 to 066-111 and changed rivet 105-2 to 066-001 in Main Gear Wheel. | 8/23/2019 |
| K | 75-77, 91 | Changed NAS114D0763J to NAS1149D0763J in Struts, Wires, and Spreader Bars section. Updated drawing and parts for Ventral Fin and Fuselage Steps. Housing Connector Assembly 2601048-200 is no longer available, it has been replaced by 73F-250-32-NL Female Connector, 10-12 AWG and 73M-250-32-NL Male Connector, 10-12 AWG. | 11/4/2019 |
| L | All | Reformatted manual in new software. Added Cessna 175 model to title page. Updated sections and created new drawings for bulkhead assemblies. Updated Wheel Well Assemblies image and parts list. Added note about nose and main gear tire/tube. Update Tire and Tube part numbers AA1D4 and XA1AC. Added 3A07005-178 Clip, Switch, Nose & Main to Nose Gear Retraction Assembly. Created sections for skins. Updated bottom skins and stiffeners. Added sections for Pre/Post Service Letter 228 for Hydraulics and Electrical. Updated Hydraulic Systems Installation image and parts list. Updated Hydraulic Powerpacks 1011849 and 1011850 image and parts list. Updated Hydraulic Pump Overview image and parts list. Updated electrical schematic image and parts list. Updated Gear Control (Rectangle) image and parts list. Added 1001431 Gear Control for G1000 equipped aircraft image and parts list. | 5/7/2021 |
| M | All | Combined Nose Gear section with Main Gear section to form new Landing Gear section. | 1/5/2022 |
| N | 79 | Changed 010-026 Seal to 471570 Seal, Timken. | 7/19/2022 |
| P | 64, 85-86 | Updated Pump Out Cup and Valve image and parts. Updated image and parts list in Main Gear Wheel Grove/Wipaire Assembly section. | 1/25/2023 |

View most current version of parts manual at www.wipaire.com.

THIS PAGE INTENTIONALLY LEFT BLANK

TABLE OF CONTENTS

| | |
|--|-----|
| FLOAT PART SALES DEPARTMENT OPERATIONS | 6 |
| INTRODUCTION | 7 |
| SECTION 1 HULL BULKHEAD ASSEMBLIES..... | 9 |
| SECTION 2 WHEEL WELL ASSEMBLIES | 35 |
| SECTION 3 SKINS & STIFFENERS | 41 |
| SECTION 4 TOP DECK ASSEMBLY..... | 49 |
| SECTION 5 EXTRUSIONS | 57 |
| SECTION 6 PUMPER TUBE INSTALLATION..... | 63 |
| SECTION 7 WATER RUDDER AND STEERING & RETRACT SYSTEM | 65 |
| SECTION 8 LANDING GEAR..... | 73 |
| SECTION 9 STRUTS, WIRES, STEPS, & SPREADER BARS | 89 |
| SECTION 10 HYDRAULIC SYSTEM | 99 |
| SECTION 11 ELECTRICAL..... | 119 |

FLOAT PART SALES DEPARTMENT OPERATIONS

Parts Sales:

Wipaire, Inc.

1700 Henry Avenue – Fleming Field

South St. Paul, MN 55075

Telephone: (651) 306-0459

Fax: (651)-306-0666

Website: www.wipaire.com

Email: customerservice@wipaire.com

Note: Any information not found in this manual for strut package parts and other installation items refer to the installation drawing package provided with the STC at the time of float installation. Additional drawing copies are available for purchase through the Wipaire Customer Service Department.

Parts Ordering

Purchase orders should include:

1. Purchase order number
2. Name of person placing order
3. Invoicing information:
 - a. Customer name - company or individual
 - b. Address
 - c. Phone and fax number
4. Shipping information:
 - a. Address (if different from invoice address)
 - b. Method of shipment/preferred carrier
5. Aircraft model, float model, and serial numbers
6. Wipaire part number; name; type, e.g. left or right; quantity
7. Payment method: VISA, MasterCard, C.O.D. (Collect on Delivery) (U.S. customers only), pre-payment by check or wire transfer, open account (see Credit Policy)

INTRODUCTION

All references in this manual to LEFT and RIGHT are from the perspective of the pilot's seat with the floats fully installed and ready for floatplane operation.

The following is a list of abbreviations that may appear in the description nomenclature fields of this manual:

| | | | |
|---------|-------------|--------|---------------|
| AB | Afterbody | Inbd. | Inboard |
| Amphib. | Amphibious | Lg. | Large |
| AR | As Required | Lt. | Left |
| Assy. | Assembly | Lwr. | Lower |
| Brkt. | Bracket | Opt. | Optional |
| Btm. | Bottom | Otbd. | Outboard |
| Bulk. | Bulkhead | Reinf. | Reinforcement |
| Ctr. | Center | Rr. | Rear |
| Cyl. | Cylinder | Rt. | Right |
| Ft. | Front | Sm. | Small |
| Ftg. | Fitting | SN | Serial Number |
| Fus. | Fuselage | Spr. | Spreader |
| Fwd | Forward | Upr. | Upper |
| Horiz. | Horizontal | Vert. | Vertical |
| Hyd. | Hydraulic | W.W. | Wheel Well |

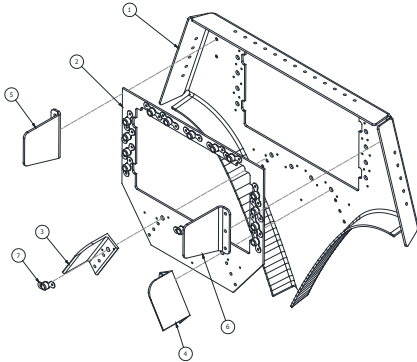
USING THIS PARTS MANUAL

COVERAGE

Parts information is provided in this manual for the hulls and all "deck down" parts. For information on strut package parts and other aircraft installation items, refer to the installation drawing package provided with the STC at the time of float installation. Additional drawing copies are available for purchase through Wipaire Customer Service Department.

Name of main part in the section. Example: This part is showing the components made up in Bulkhead #1.

BULKHEAD #1



Main part image. If the image has numbers associated with it, then those numbers are item numbers shown in the table below.

Items with a (-) instead of a number represent the main part as an assembly. Other parts represent the parts included in the assembly.

| ITEM | QTY | PART NO. | PART DESCRIPTION |
|------|-----|--------------|---------------------------------------|
| - | 1 | 1008815 | ASSEMBLY BULKHEAD #1, 10000 |
| 1 | 1 | 1008797 | PANEL, BULKHEAD #1 |
| 2 | 1 | 13A01156-085 | DOUBLER #1 BULKHEAD |
| 3 | 1 | 13A01357-049 | CLEAT, SISTER KEEL ATTACH #1 BULKHEAD |
| 4 | 1 | 13A01357-050 | CLEAT, SISTER KEEL ATTACH #1 BULKHEAD |
| 5 | 1 | 6A01156-054 | ANGLE – TOP RAIL |
| 6 | 1 | 6A01156-055 | ANGLE – TOP RAIL |
| 7 | 17 | MS21047L4 | NUT PLATE, SELF LOCKING |

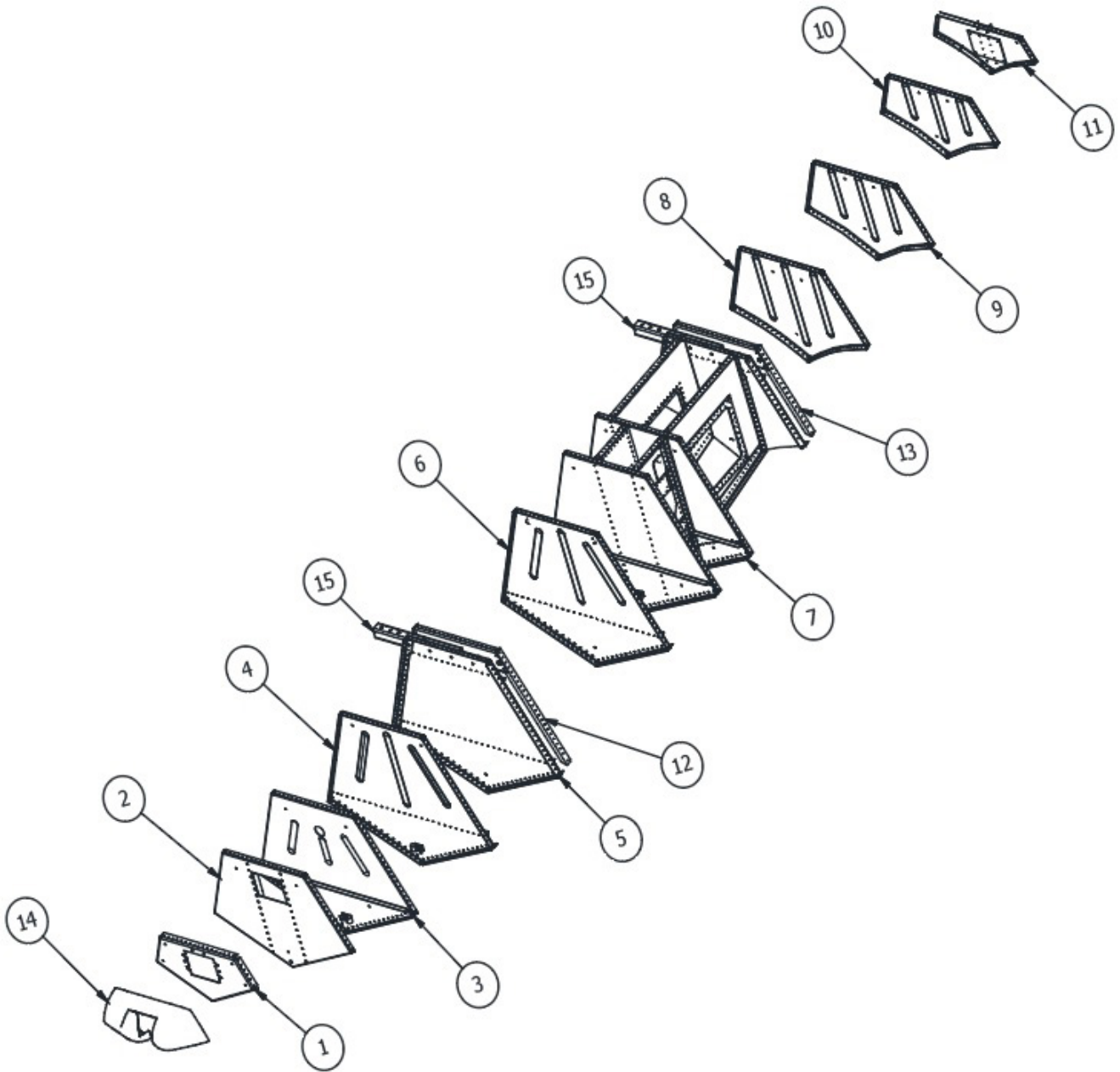
To order an individual part, order the part number associated with item number.

SECTION 1 HULL BULKHEAD ASSEMBLIES

CONTENTS

| | |
|--|----|
| HULL ASSEMBLY OVERVIEW - AMPHIBIAN | 10 |
| HULL ASSEMBLY OVERVIEW - SEAPLANE | 12 |
| NOSE BUMPER AMPHIBIAN ONLY | 14 |
| NOSE BUMPER SEAPLANE ONLY | 15 |
| BULKHEAD #1 | 16 |
| BULKHEAD #3 | 17 |
| BULKHEAD #4 | 18 |
| BULKHEAD #5 | 19 |
| BULKHEAD #6 FWD | 20 |
| BULKHEAD #6 AFT | 21 |
| BULKHEAD #6 FWD SEAPLANE ONLY | 22 |
| BULKHEAD #6 AFT SEAPLANE ONLY | 23 |
| BULKHEAD #7 LEFT FLOAT AMPHIBIAN ONLY | 24 |
| BULKHEAD #7 RIGHT FLOAT AMPHIBIAN ONLY | 25 |
| BULKHEAD #8 LEFT FLOAT AMPHIBIAN ONLY | 26 |
| BULKHEAD #8 RIGHT FLOAT AMPHIBIAN ONLY | 27 |
| BULKHEAD #10 AMPHIBIAN ONLY | 28 |
| BULKHEAD #10 SEAPLANE ONLY | 29 |
| BULKHEAD #11 | 30 |
| BULKHEAD #12 | 31 |
| BULKHEAD #13 | 32 |
| BULKHEAD #15 | 33 |

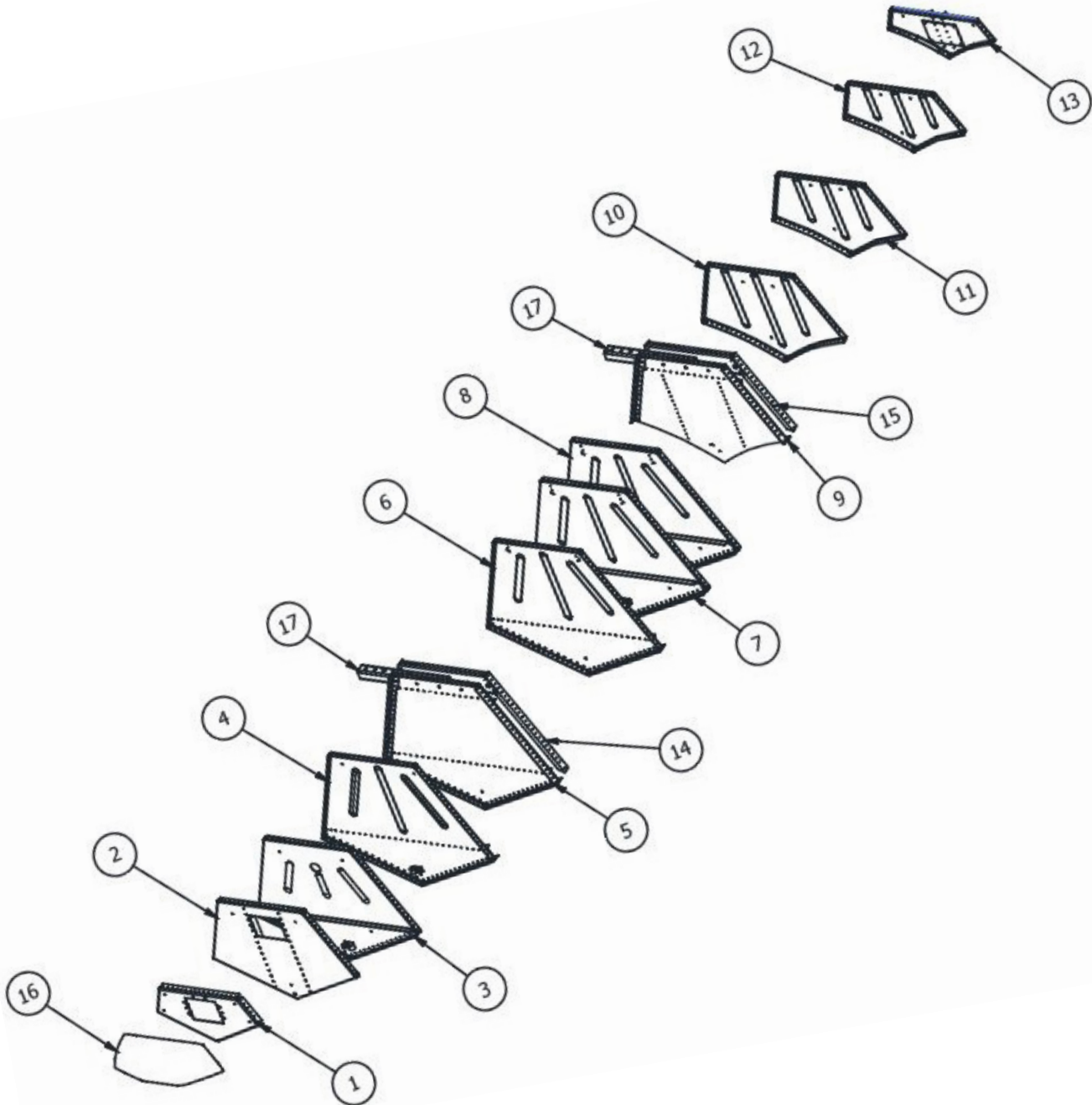
HULL ASSEMBLY OVERVIEW - AMPHIBIAN



PARTS MANUAL
2350 FLOATS ON CESSNA 172 &175 SERIES

| ITEM | QTY | PART NO. | PART DESCRIPTION |
|------|-----|--------------|-------------------------------|
| 1 | 1 | 21A01163-067 | BULKHEAD #1 |
| 2 | 1 | 21A01000-265 | ASSEMBLY, BULKHEAD #3 |
| 3 | 1 | 21A01000-261 | ASSEMBLY, 2350 BULKHEAD #4 |
| 4 | 1 | 23A01000-296 | ASSEMBLY, BULKHEAD STN #5 |
| 5 | 1 | 23A01000-297 | BULKHEAD STN #6 ASSY |
| 6 | 1 | 21A01000-252 | ASSEMBLY, 2350 BULKHEAD #6 |
| 7 LT | 1 | 21A01000-293 | WHEEL WELL BUILD UP ASSY. LT. |
| 7 RT | 1 | 21A01000-294 | WHEEL WELL BUILD UP ASSY RT. |
| 8 | 1 | 21A01000-395 | BULKHEAD STN. #11 ASSY |
| 9 | 1 | 21A01000-396 | ASSY, BULKHEAD #12 |
| 10 | 1 | 21A01000-397 | ASSEMBLY, BULKHEAD #13 |
| 11 | 1 | 23A01000-298 | BULKHEAD #15 ASSY |
| 12 | 1 | 21A01000-260 | SPREADER BAR PANEL FWD. ASSY. |
| 13 | 1 | 21A01000-259 | SPREADER BAR PANEL AFT ASSY |
| 14 | 1 | 21A01000-295 | NOSE BUMPER AMPHIBIAN |
| 15 | 2 | 21A03115-001 | TUBE, SPREADER BAR, MOUNTING |

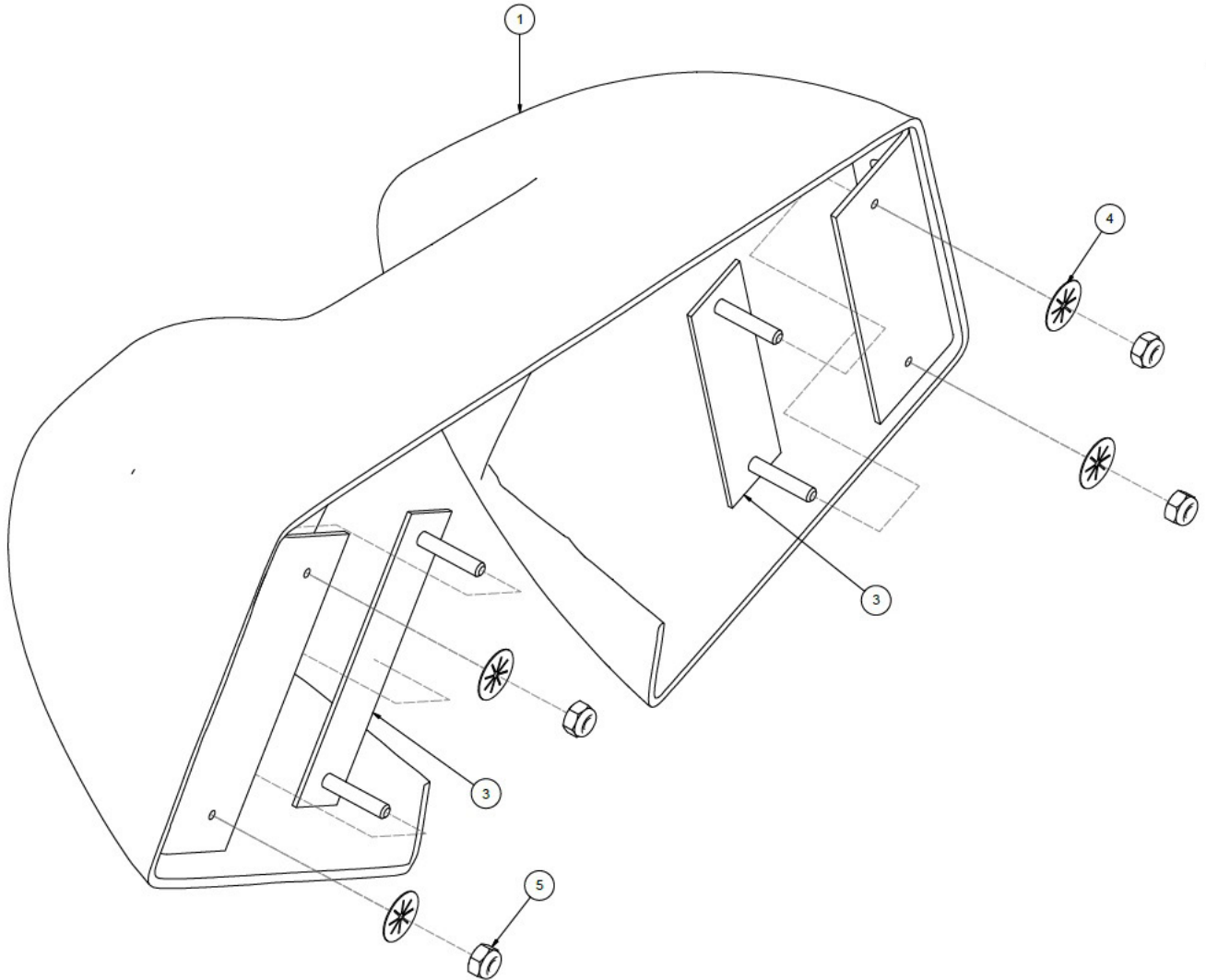
HULL ASSEMBLY OVERVIEW - SEAPLANE



PARTS MANUAL
2350 FLOATS ON CESSNA 172 &175 SERIES

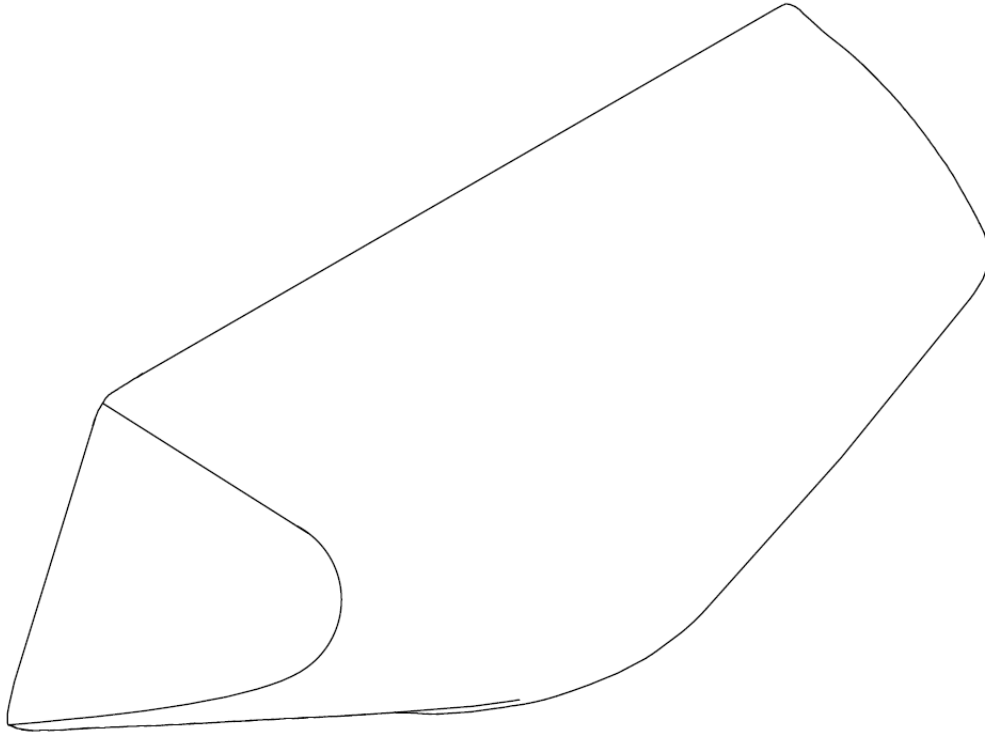
| ITEM | QTY | PART NO. | PART DESCRIPTION |
|------|-----|--------------|----------------------------------|
| 1 | 1 | 21A01163-067 | BULKHEAD #1 |
| 2 | 1 | 21A01000-265 | ASSEMBLY, BULKHEAD #3 |
| 3 | 1 | 21A01000-261 | ASSEMBLY, 2350 BULKHEAD #4 |
| 4 | 1 | 23A01000-296 | ASSEMBLY, BULKHEAD STN #5 |
| 5 | 1 | 23A01000-297 | BULKHEAD STN #6 ASSY |
| 6 | 1 | 21A01000-252 | ASSEMBLY, 2350 BULKHEAD #6 |
| 7 | 1 | 21S01000-308 | ASSEMBLY, 2350 BULKHEAD #6 |
| 8 | 1 | 21S01000-309 | ASSEMBLY, 2350 BULKHEAD #6 |
| 9 | 1 | 21S01000-322 | ASSEMBLY, BULKHEAD 10, 2350 COMP |
| 10 | 1 | 21A01000-395 | BULKHEAD STN. #11 ASSY |
| 11 | 1 | 21A01000-396 | ASSY, BULKHEAD #12 |
| 12 | 1 | 21A01000-397 | ASSEMBLY, BULKHEAD #13 |
| 13 | 1 | 23A01000-298 | BULKHEAD #15 ASSY |
| 14 | 1 | 23A01000-302 | ASSY, SPREADER BAR PANEL, FWD |
| 15 | 1 | 21A01000-259 | ASSY, SPREADER BAR PANEL, AFT |
| 16 | 1 | 21S01738-001 | NOSE BUMPER - SEAPLANE |
| 17 | 2 | 21A03115-001 | TUBE, SPREADER BAR, MOUNTING |

NOSE BUMPER AMPHIBIAN ONLY



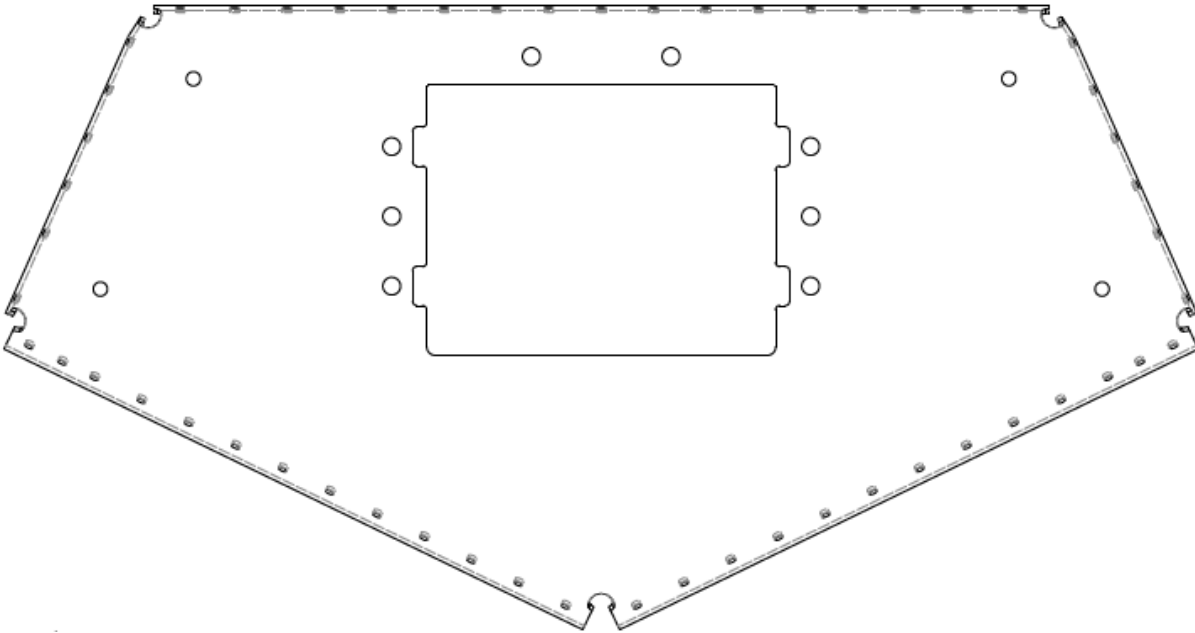
| ITEM | QTY | PART NO. | PART DESCRIPTION |
|------|-----|----------------|---|
| - | 1 | 21A01000-295 | NOSE BUMPER - AMPHIBIAN |
| 1 | 1 | 21A01000-295-1 | NOSE BUMPER |
| 2 | 2 | 21A01000-295-2 | ANGLE, MOUNT, NOSE BUMPER |
| 3 | 2 | 21A01000-295-3 | PLATE, SCREW MOUNT, NOSE BUMPER |
| 4 | 4 | 4HFW3 | PUSH NUT WASHER |
| 5 | 4 | MS21044N3 | NUT, LOCKING, REGULAR HEIGHT, 10-32 UNF |
| 6 | 4 | MS51958-67 | SCREW, BUTTON HEAD |

NOSE BUMPER SEAPLANE ONLY



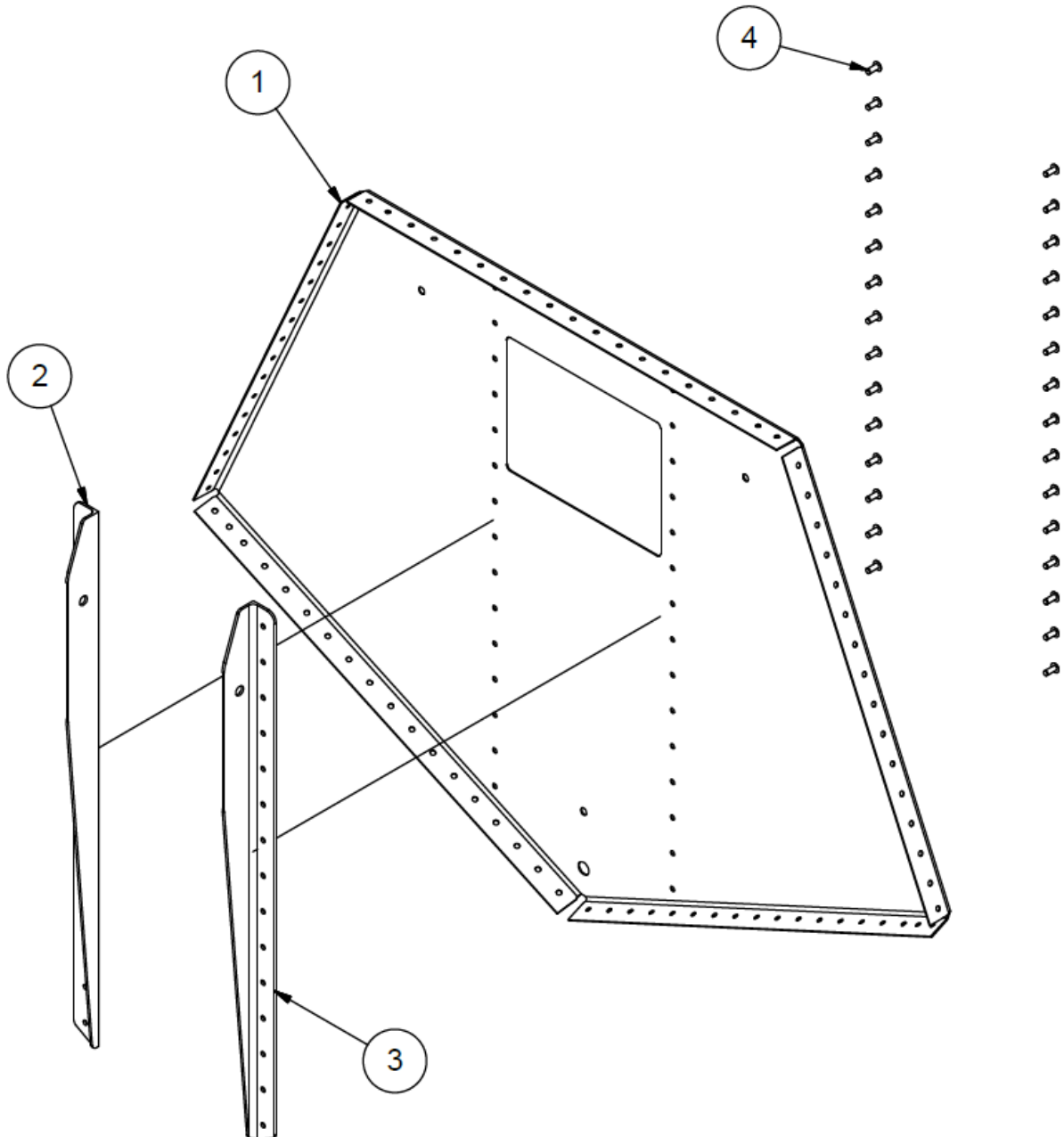
| ITEM | QTY | PART NO. | PART DESCRIPTION |
|------|-----|--------------|-----------------------------|
| - | 1 | 21S01738-001 | NOSE BUMPER - 2100 SEAPLANE |

BULKHEAD #1



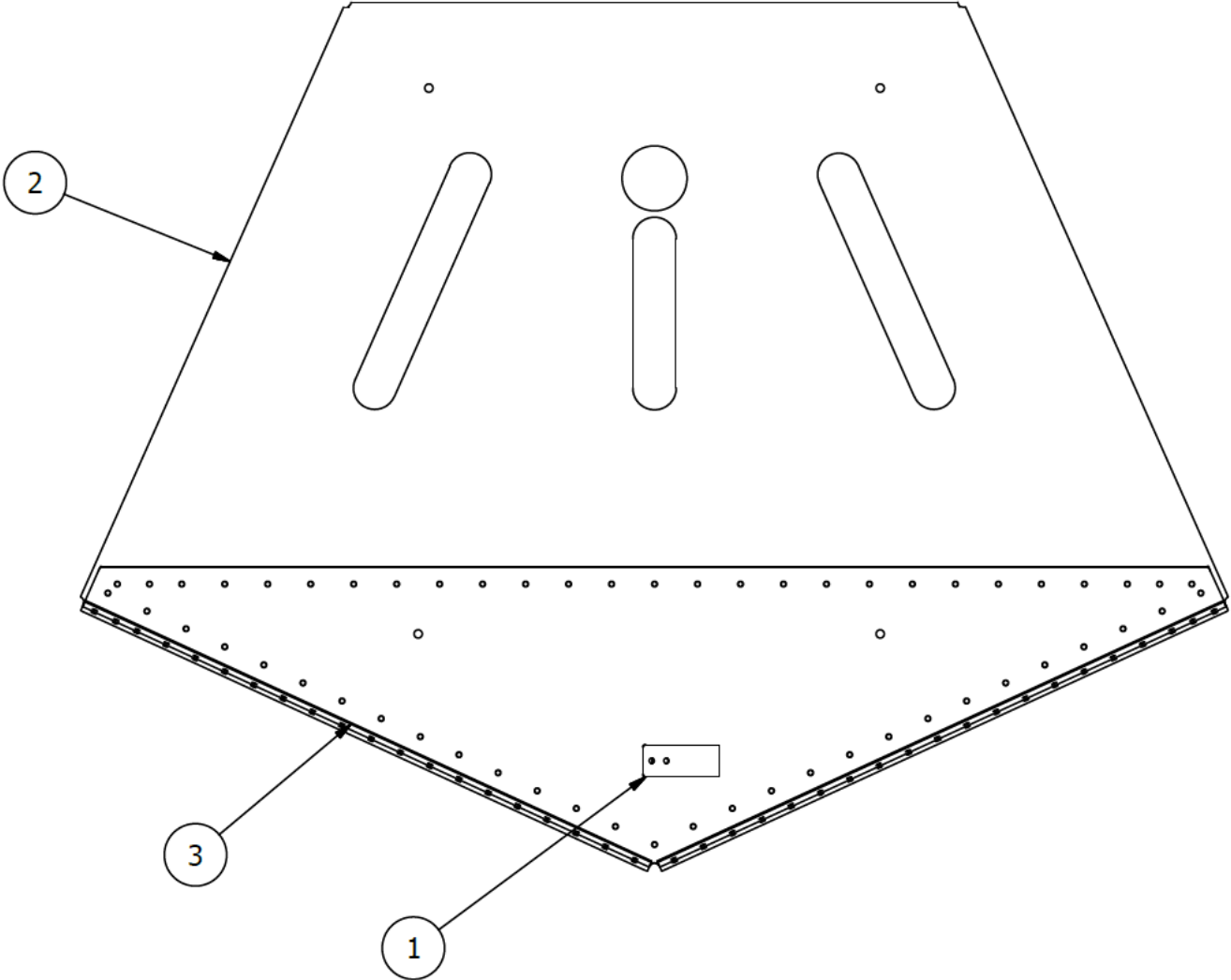
| ITEM | QTY | PART NO. | PART DESCRIPTION |
|------|-----|--------------|------------------|
| - | 1 | 21A01163-067 | BULKHEAD #1 |

BULKHEAD #3



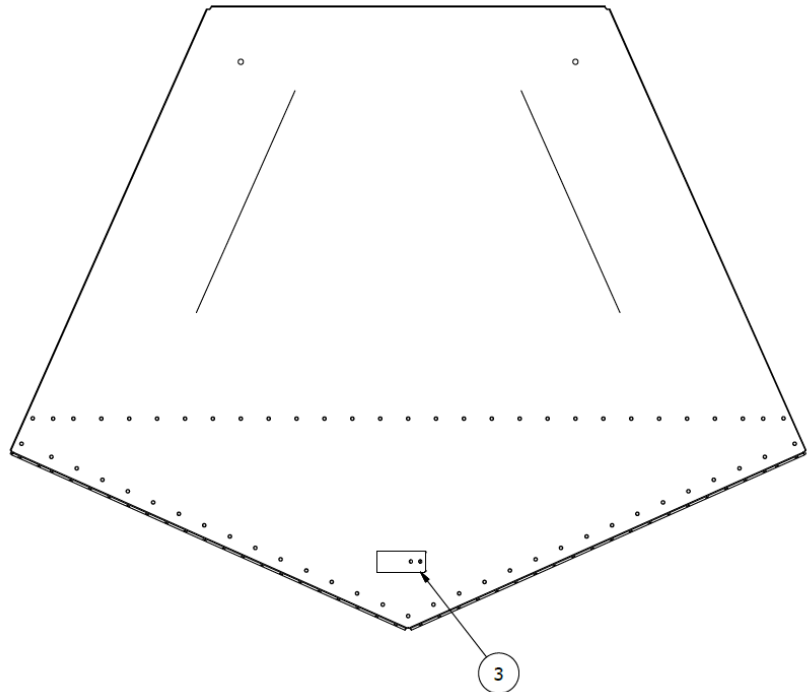
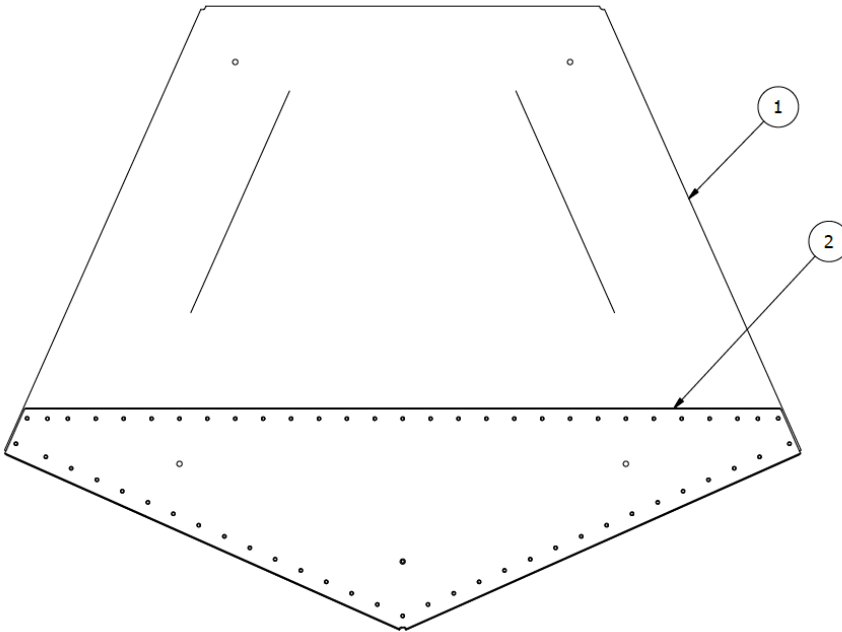
| ITEM | QTY | PART NO. | PART DESCRIPTION |
|------|-----|--------------|----------------------------|
| - | 1 | 21A01000-265 | ASSEMBLY, BULKHEAD #3 |
| 1 | 1 | 21A01158-184 | BULKHEAD #3 |
| 2 | 1 | 21A01326-005 | ANGLE, SUPPORT BULKHEAD #3 |
| 3 | 1 | 21A01326-006 | ANGLE, SUPPORT BULKHEAD #3 |
| 4 | 30 | AN470AD4-5 | RIVET |

BULKHEAD #4



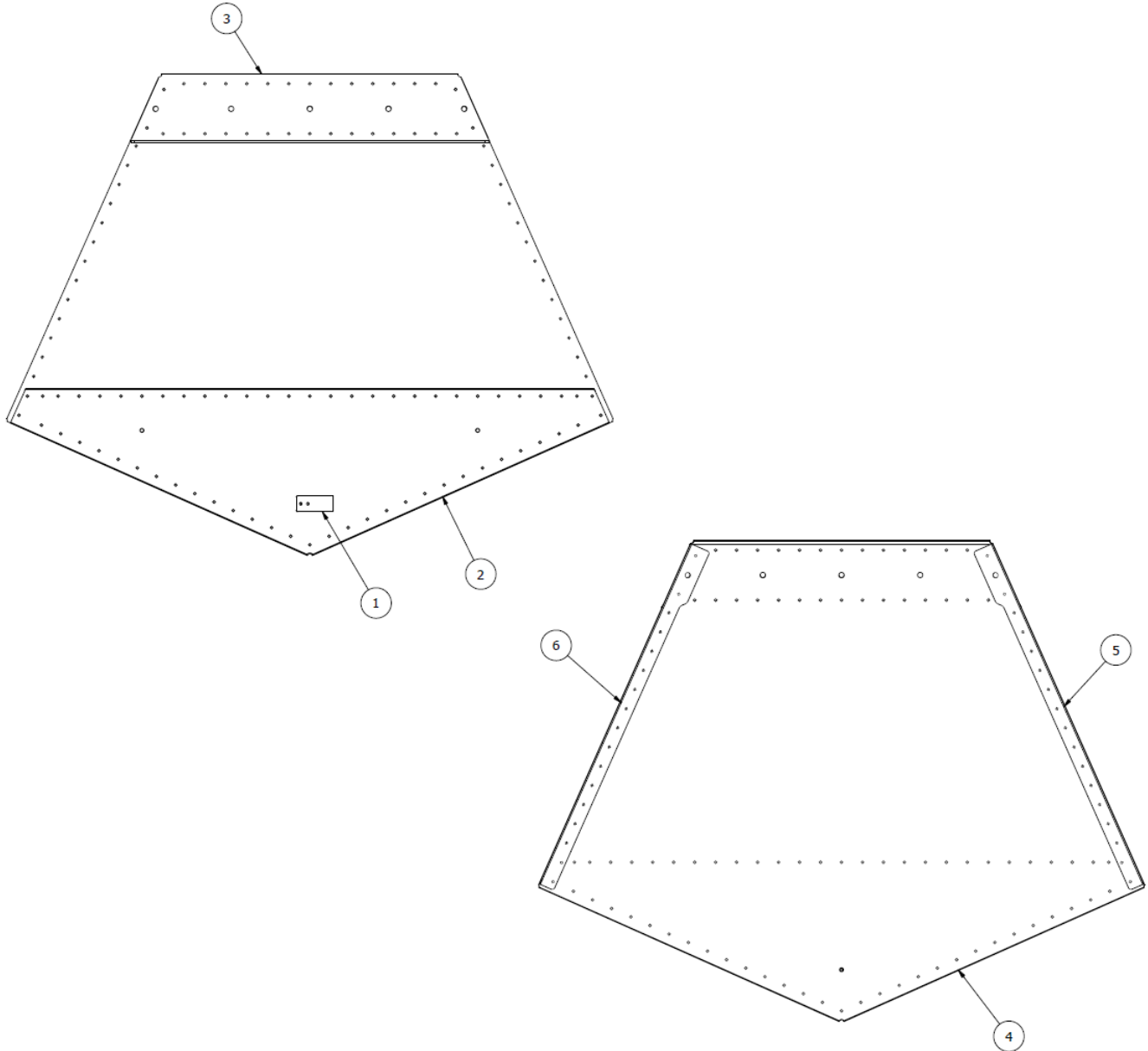
| ITEM | QTY | PART NO. | PART DESCRIPTION |
|------|-----|--------------|------------------------------|
| - | 1 | 21A01000-261 | ASSEMBLY, 2350 BULKHEAD #4 |
| 1 | 1 | 3A01158-003 | CLAMP, PUMP OUT TUBE |
| 2 | 1 | 21A01158-174 | BULKHEAD #4 - FORMED |
| 3 | 1 | 21A01158-175 | BULKHEAD SUPPORT #4 - FORMED |

BULKHEAD #5



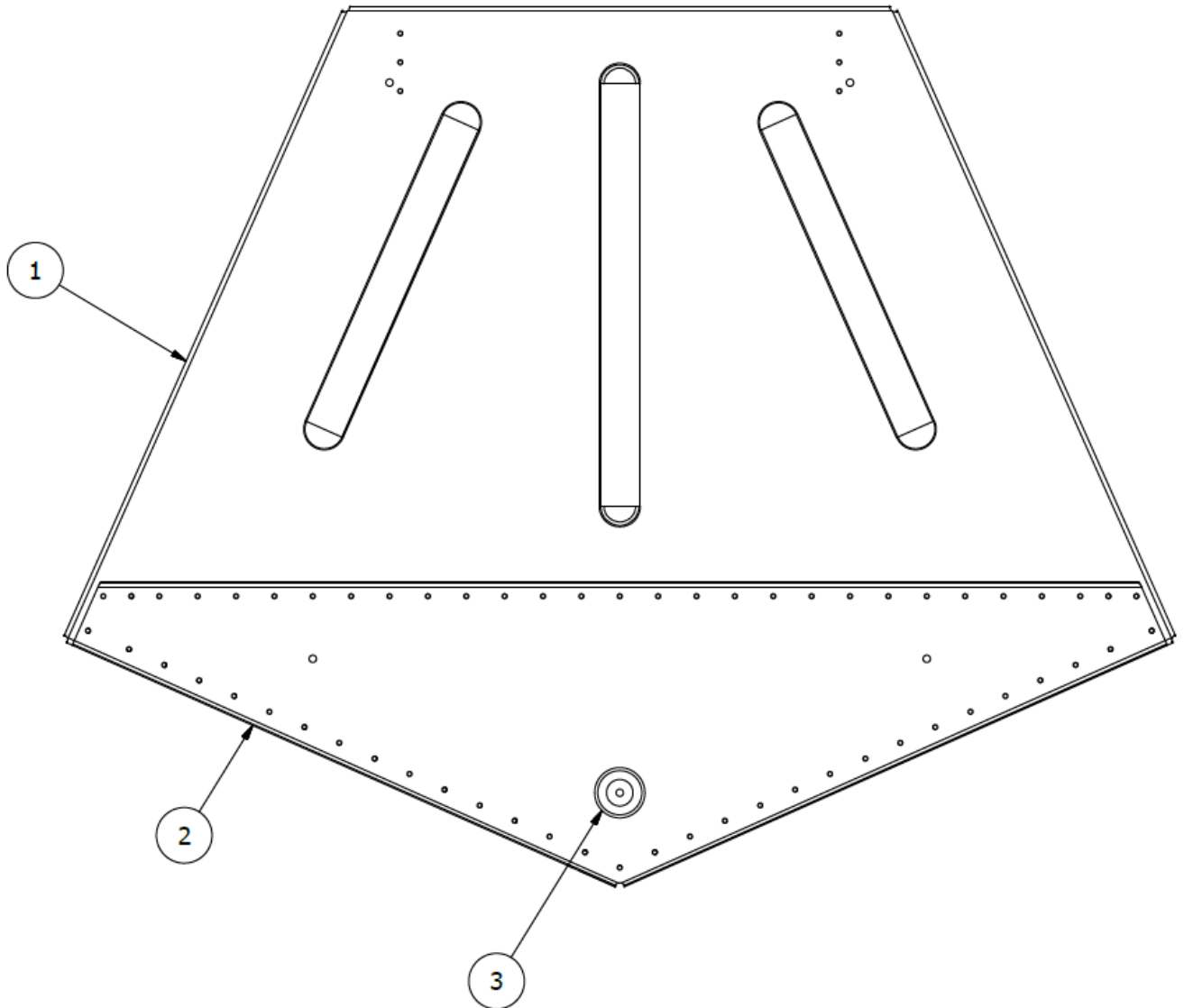
| ITEM | QTY | PART NO. | PART DESCRIPTION |
|------|-----|--------------|---------------------------|
| - | 1 | 23A01000-296 | ASSEMBLY, BULKHEAD STN #5 |
| 1 | 1 | 23A01158-196 | BULKHEAD #5 - FORMED |
| 2 | 2 | 21A01158-177 | SUPPORT, BULKHEAD #6 |
| 3 | 3 | 3A01158-003 | CLAMP, PUMP OUT TUBE |

BULKHEAD #6 FWD



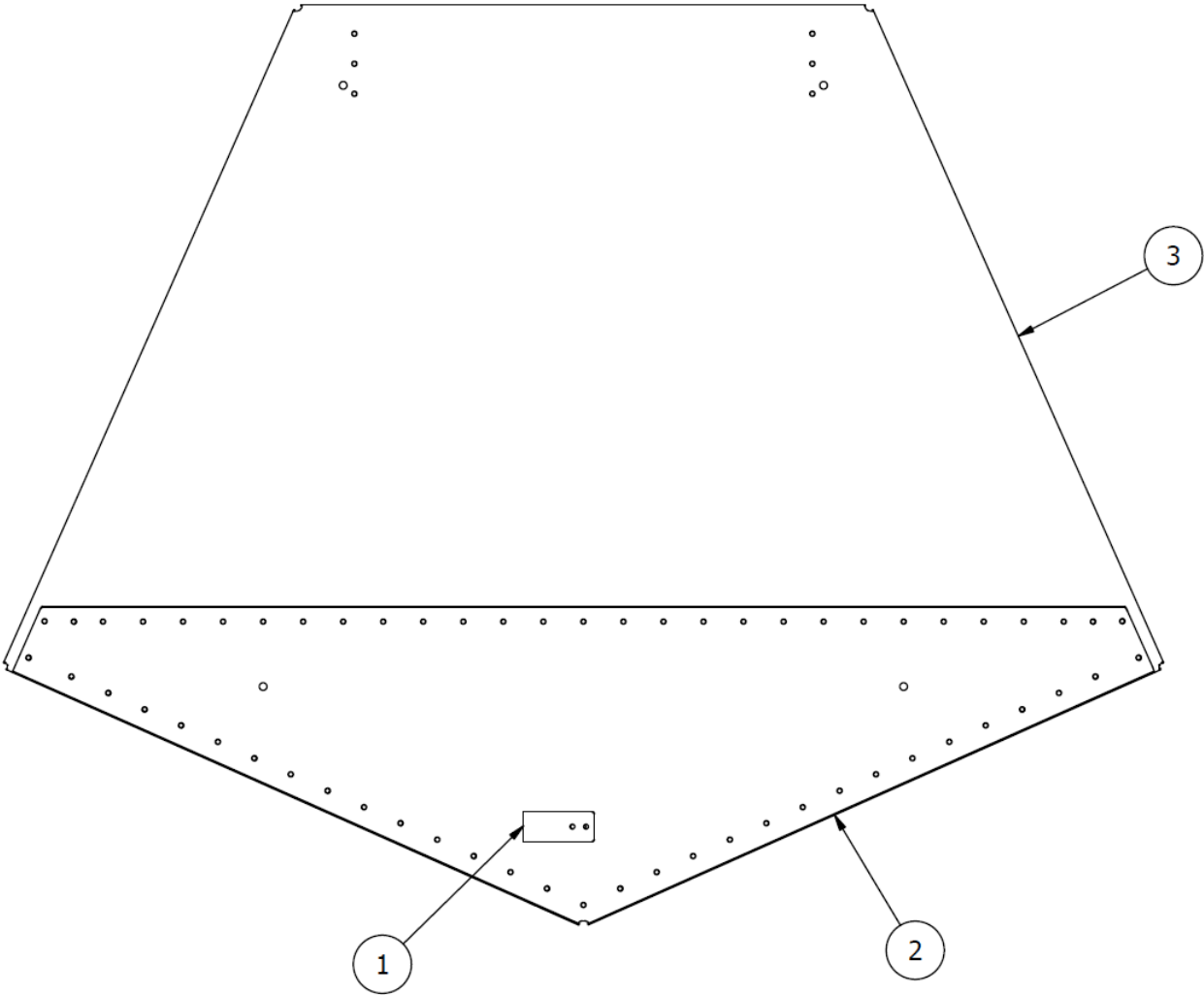
| ITEM | QTY | PART NO. | PART DESCRIPTION |
|------|-----|--------------|------------------------|
| - | 1 | 23A01000-297 | BULKHEAD STN #6 ASSY |
| 1 | 1 | 3A01158-003 | CLAMP, PUMP OUT TUBE |
| 2 | 1 | 21A01158-177 | SUPPORT, BULKHEAD # 6 |
| 3 | 1 | 21A01163-066 | SPREADER BAR PANEL |
| 4 | 1 | 23A01158-197 | BULKHEAD #6 - 2350 |
| 5 | 1 | 23A01326-016 | ANGLE, BULKHEAD STN #5 |
| 6 | 1 | 23A01326-017 | ANGLE, BULKHEAD STN #5 |

BULKHEAD #6 AFT



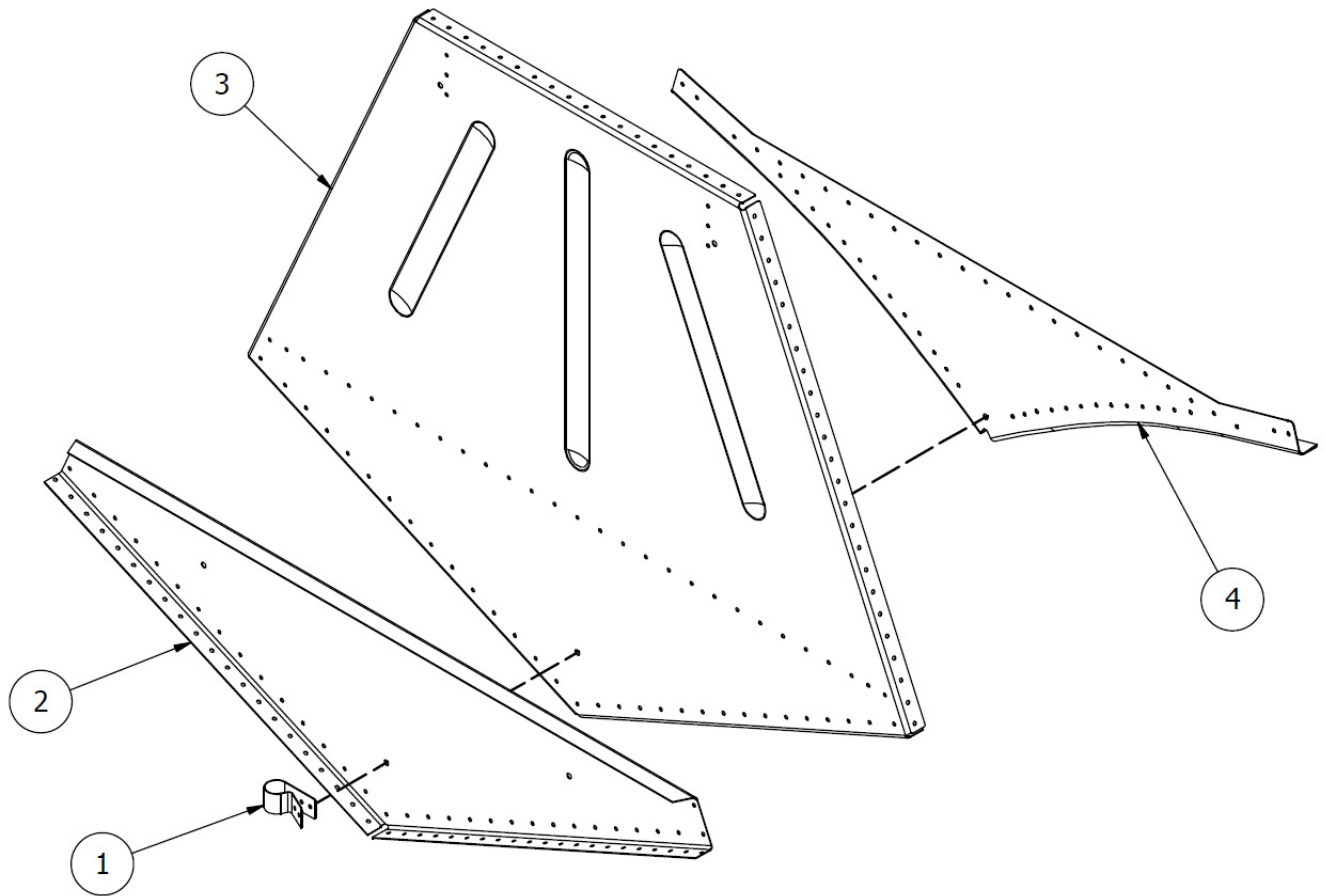
| ITEM | QTY | PART NO. | PART DESCRIPTION |
|------|-----|--------------|----------------------------|
| - | 1 | 21A01000-252 | ASSEMBLY, 2350 BULKHEAD #6 |
| 1 | 1 | 21A01158-189 | BULKHEAD #6 |
| 2 | 1 | 21A01158-177 | SUPPORT, BULKHEAD # 6 |
| 3 | 1 | MS35489-19 | GROMMET, RUBBER |

BULKHEAD #6 FWD SEAPLANE ONLY



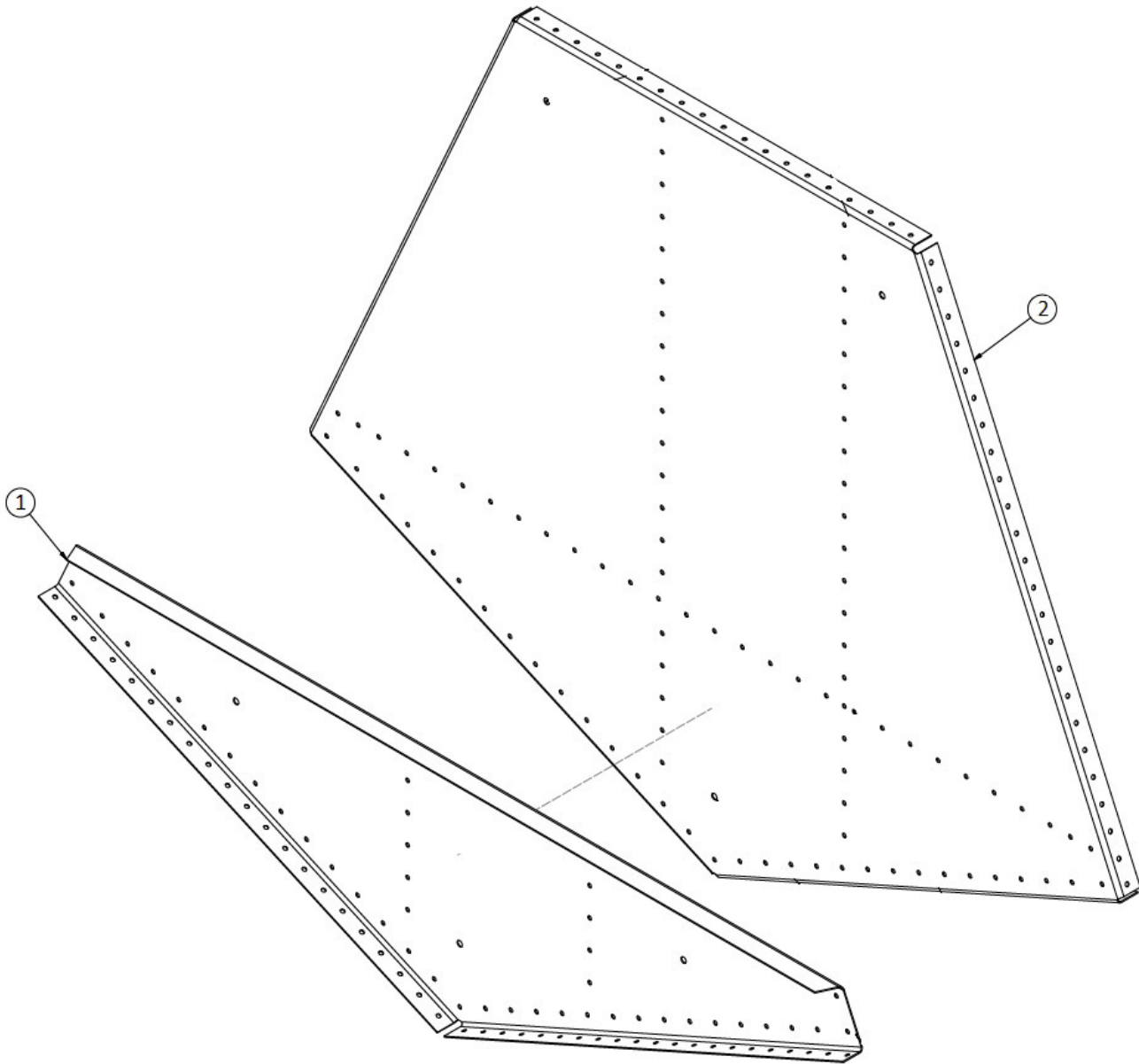
| ITEM | QTY | PART NO. | PART DESCRIPTION |
|------|-----|--------------|-------------------------------------|
| - | 1 | 21S01000-308 | ASSEMBLY, 2350 BULKHEAD #6 SEAPLANE |
| 1 | 1 | 3A01158-003 | CLAMP, PUMP OUT TUBE |
| 2 | 1 | 21A01158-177 | SUPPORT, BULKHEAD #6 |
| 3 | 1 | 21A01158-189 | BULKHEAD #6 |

BULKHEAD #6 AFT SEAPLANE ONLY



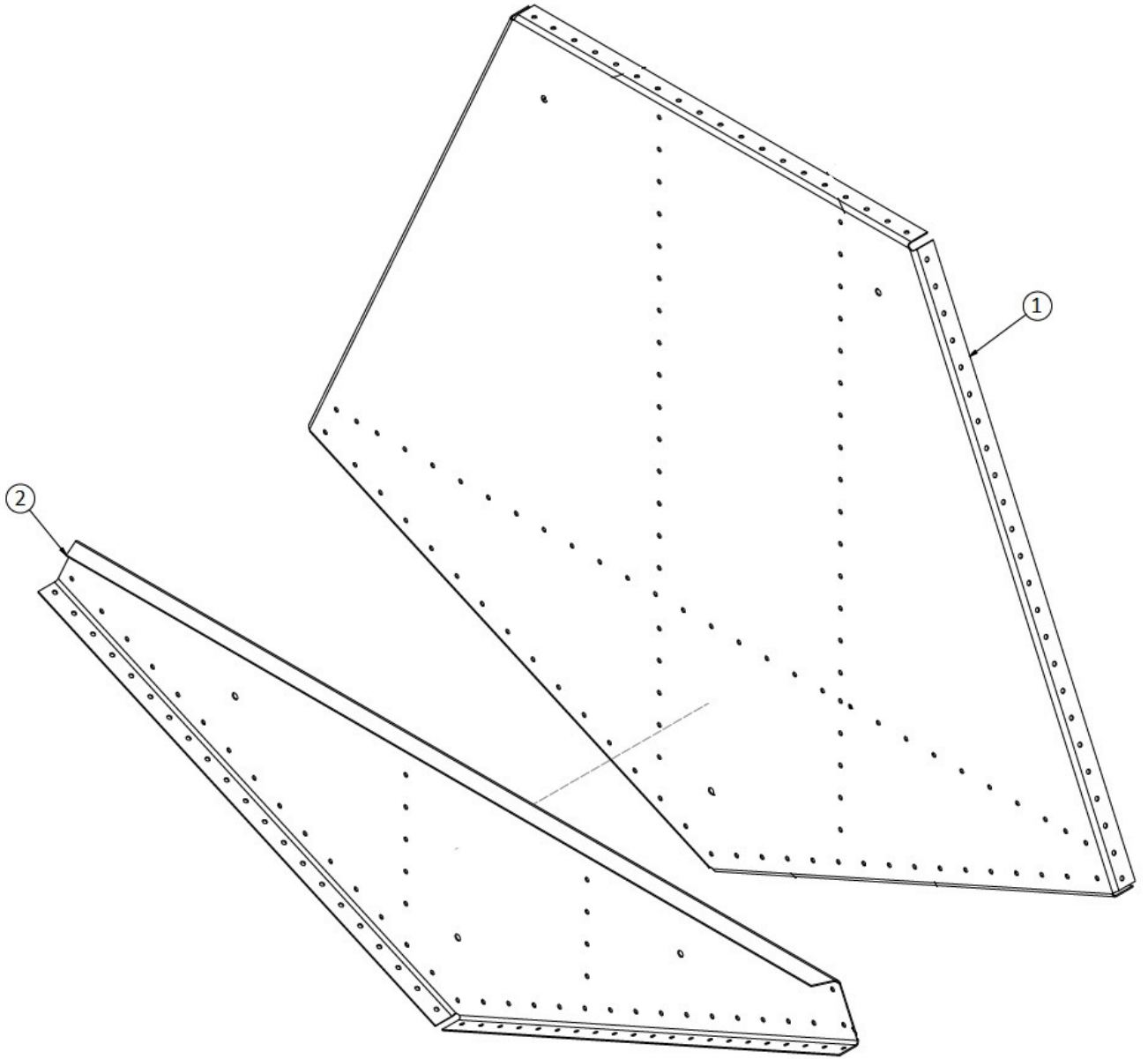
| ITEM | QTY | PART NO. | PART DESCRIPTION |
|------|-----|--------------|-------------------------------------|
| - | 1 | 21S01000-309 | ASSEMBLY, 2350 BULKHEAD #6 SEAPLANE |
| 1 | 1 | 3A01158-003 | CLAMP, PUMP OUT TUBE |
| 2 | 1 | 21A01158-177 | SUPPORT, BULKHEAD #6 |
| 3 | 1 | 21A01158-189 | BULKHEAD #6 |
| 4 | 1 | 21S01158-203 | ANGLE, BULKHEAD #8 AFT |

BULKHEAD #7 LEFT FLOAT AMPHIBIAN ONLY



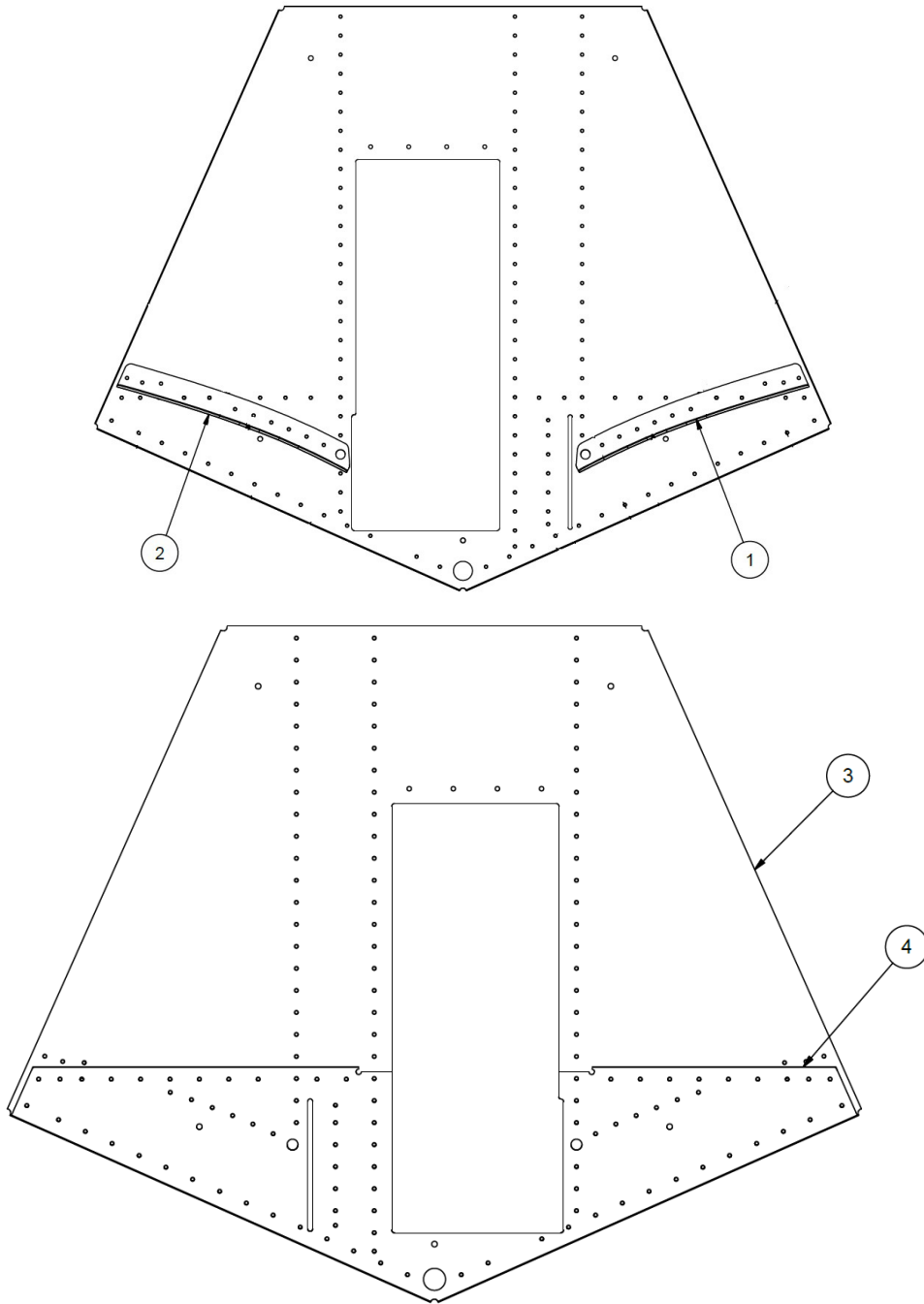
| ITEM | QTY | PART NO. | PART DESCRIPTION |
|------|-----|--------------|----------------------------|
| - | 1 | 21A01000-267 | ASSEMBLY, BULKHEAD #7, LH |
| 1 | 1 | 21A01158-187 | SUPPORT, BLKHD 7, RH, 2350 |
| 2 | 1 | 21A01158-181 | BULKHEAD #7 - LH |

BULKHEAD #7 RIGHT FLOAT AMPHIBIAN ONLY



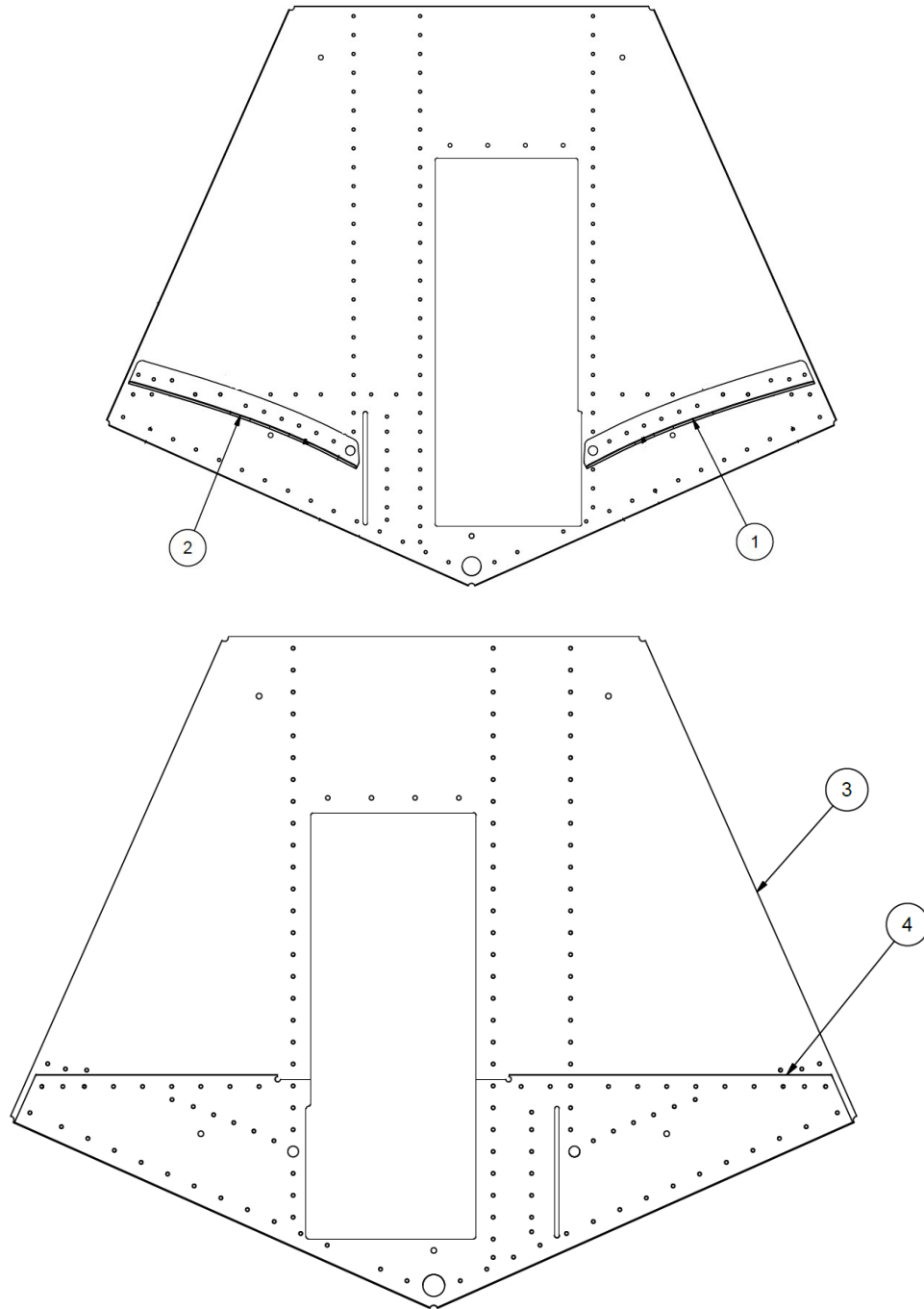
| ITEM | QTY | PART NO. | PART DESCRIPTION |
|------|-----|--------------|----------------------------|
| - | 1 | 21A01000-266 | ASSEMBLY, BULKHEAD #7, RH |
| 1 | 1 | 21A01158-182 | BULKHEAD #7 - RH |
| 2 | 1 | 21A01158-188 | SUPPORT, BLKHD 7, LH, 2350 |

BULKHEAD #8 LEFT FLOAT AMPHIBIAN ONLY



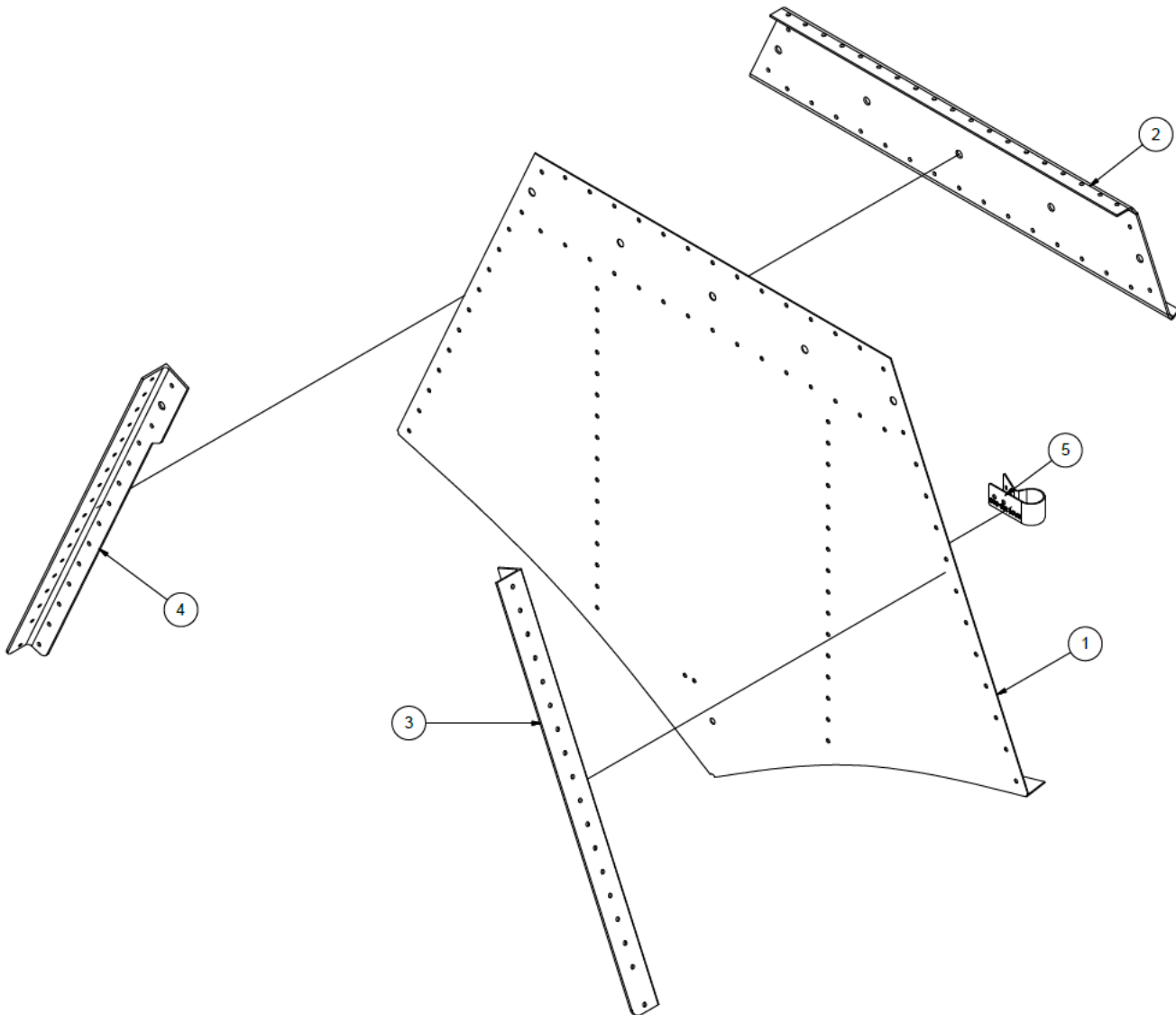
| ITEM | QTY | PART NO. | PART DESCRIPTION |
|------|-----|--------------|-------------------------------|
| - | 1 | 21A01000-263 | ASSY, BULKHEAD #8, LH |
| 1 | 1 | 21A01158-179 | ANGLE - AFTERBODY ATTACH - RH |
| 2 | 1 | 21A01158-180 | ANGLE - AFTERBODY ATTACH - LH |
| 3 | 1 | 21A01158-191 | BULKHEAD #8 - LH - FORMED |
| 4 | 1 | 21A01158-193 | SUPPORT - LH - BULKHEAD #8 |

BULKHEAD #8 RIGHT FLOAT AMPHIBIAN ONLY



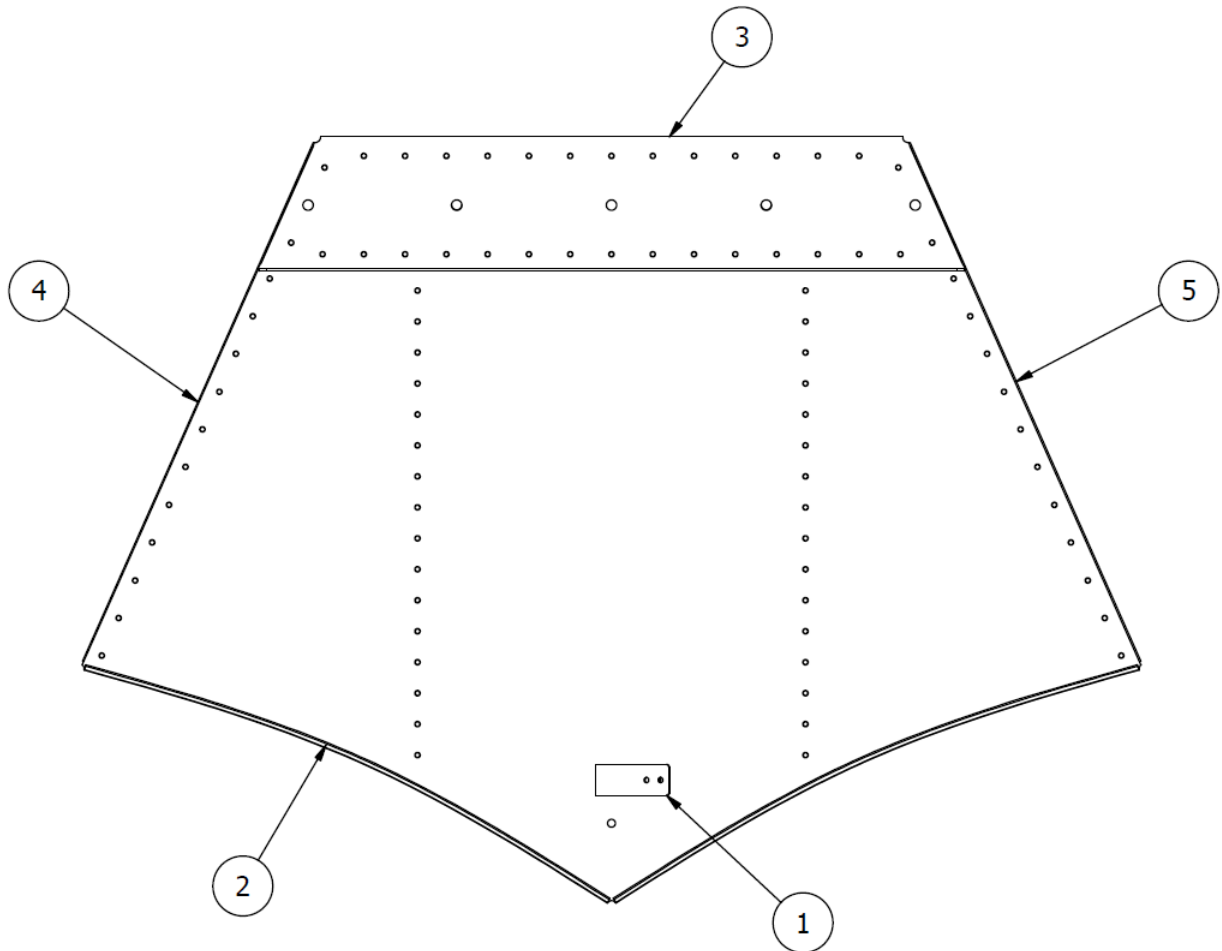
| ITEM | QTY | PART NO. | PART DESCRIPTION |
|------|-----|--------------|-------------------------------|
| - | 1 | 21A01000-264 | ASSY, BULKHEAD #8, RH |
| 1 | 1 | 21A01158-179 | ANGLE - AFTERBODY ATTACH - RH |
| 2 | 1 | 21A01158-180 | ANGLE - AFTERBODY ATTACH - LH |
| 3 | 1 | 21A01158-190 | BULKHEAD #8 - RH - FORMED |
| 4 | 1 | 21A01158-192 | SUPPORT - RH - BULKHEAD #8 |

BULKHEAD #10 AMPHIBIAN ONLY



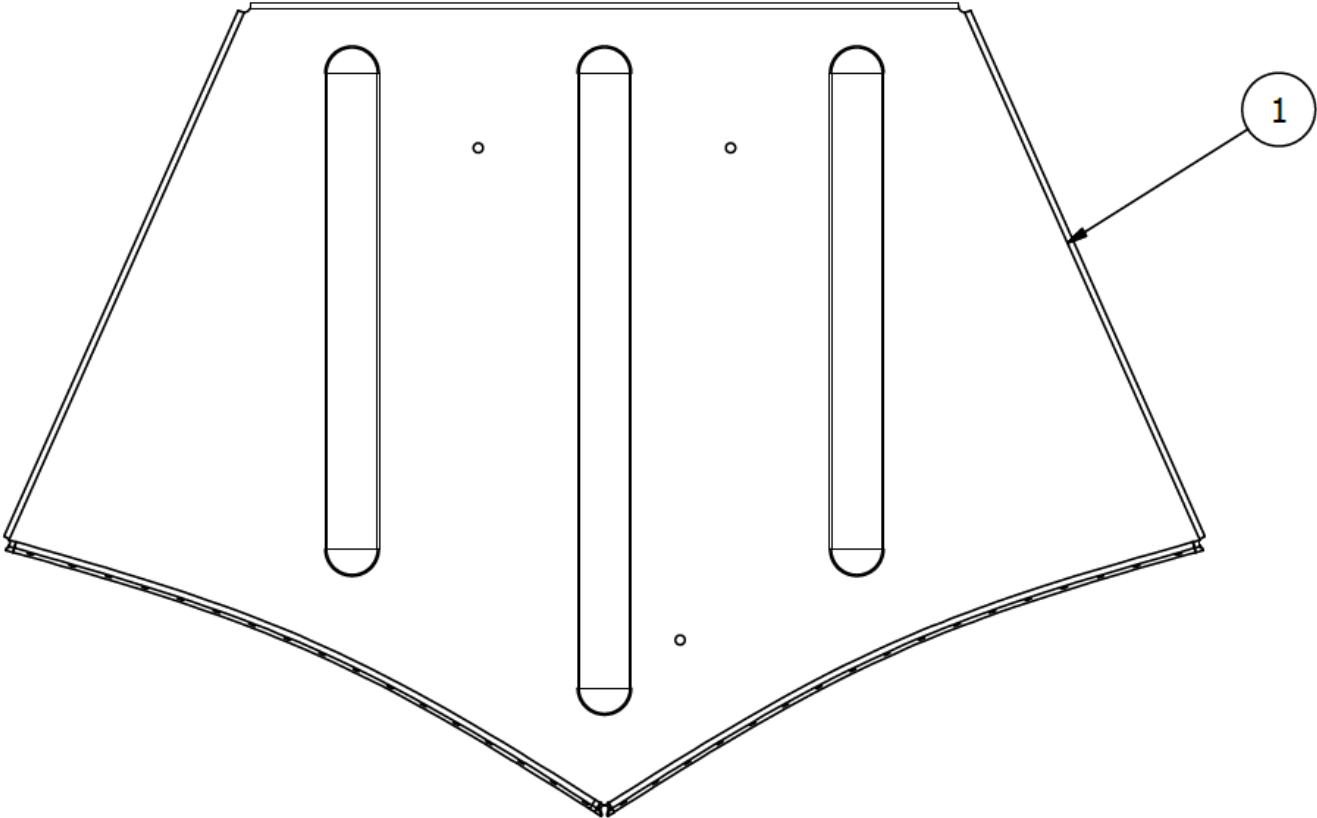
| ITEM | QTY | PART NO. | PART DESCRIPTION |
|------|-----|--------------|-----------------------------------|
| - | 1 | 21A01000-262 | ASSY, BLKHD 10, 2350 COMP |
| 1 | 1 | 21A01158-169 | BULKHEAD #10 - FORMED |
| 2 | 1 | 21A01163-066 | SPREADER BAR PANEL |
| 3 | 1 | 21A01326-011 | ANGLE, SIDE BAR, BULKHEAD #10, LF |
| 4 | 1 | 21A01326-012 | ANGLE, SIDE BAR, BULKHEAD #10, RT |
| 5 | 1 | 3A01158-003 | CLAMP, PUMP OUT TUBE |

BULKHEAD #10 SEAPLANE ONLY



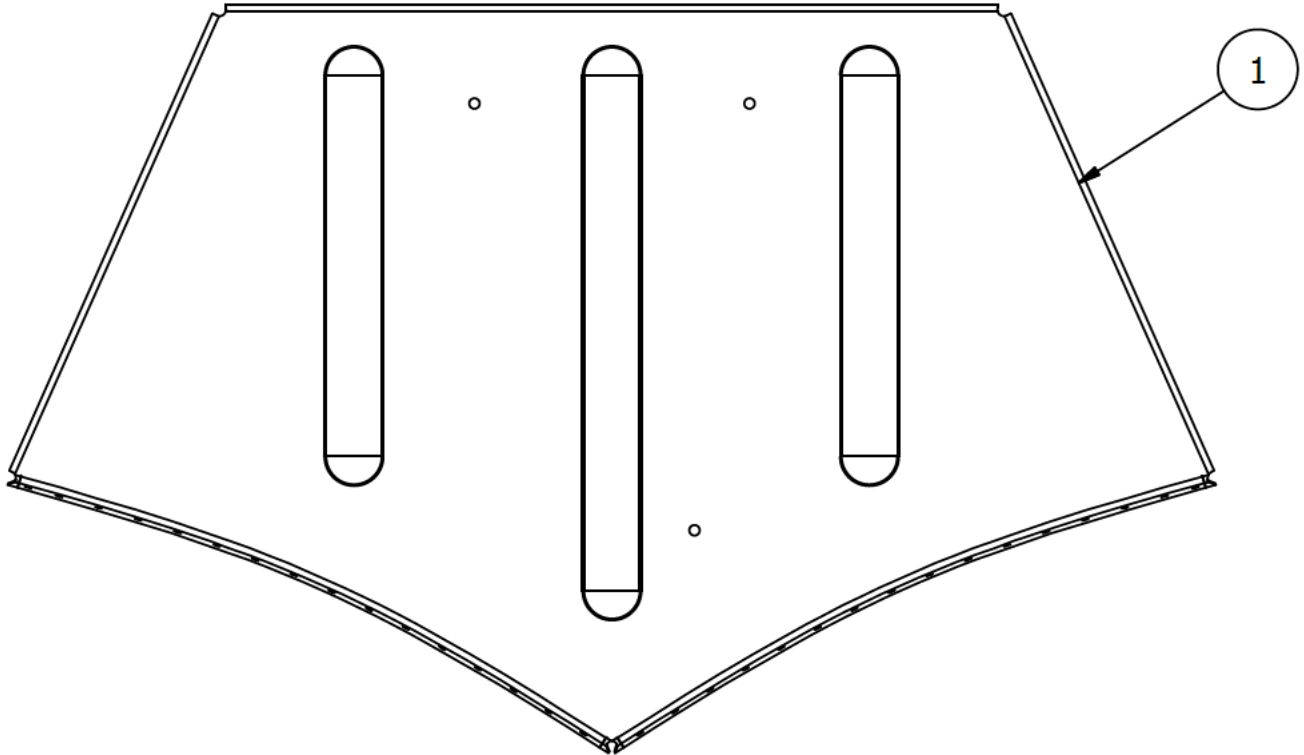
| ITEM | QTY | PART NO. | PART DESCRIPTION |
|------|-----|--------------|-----------------------------------|
| - | 1 | 21S01000-322 | ASSEMBLY, BULKHEAD 10, 2350 COMP |
| 1 | 1 | 3A01158-003 | CLAMP, PUMP OUT TUBE |
| 2 | 1 | 21A01158-169 | BULKHEAD #10 - FORMED |
| 3 | 1 | 21A01163-066 | SPREADER BAR PANEL |
| 4 | 1 | 21A01326-011 | ANGLE, SIDE BAR, BULKHEAD #10, LF |
| 5 | 1 | 21A01326-012 | ANGLE, SIDE BAR, BULKHEAD #10, RT |

BULKHEAD #11



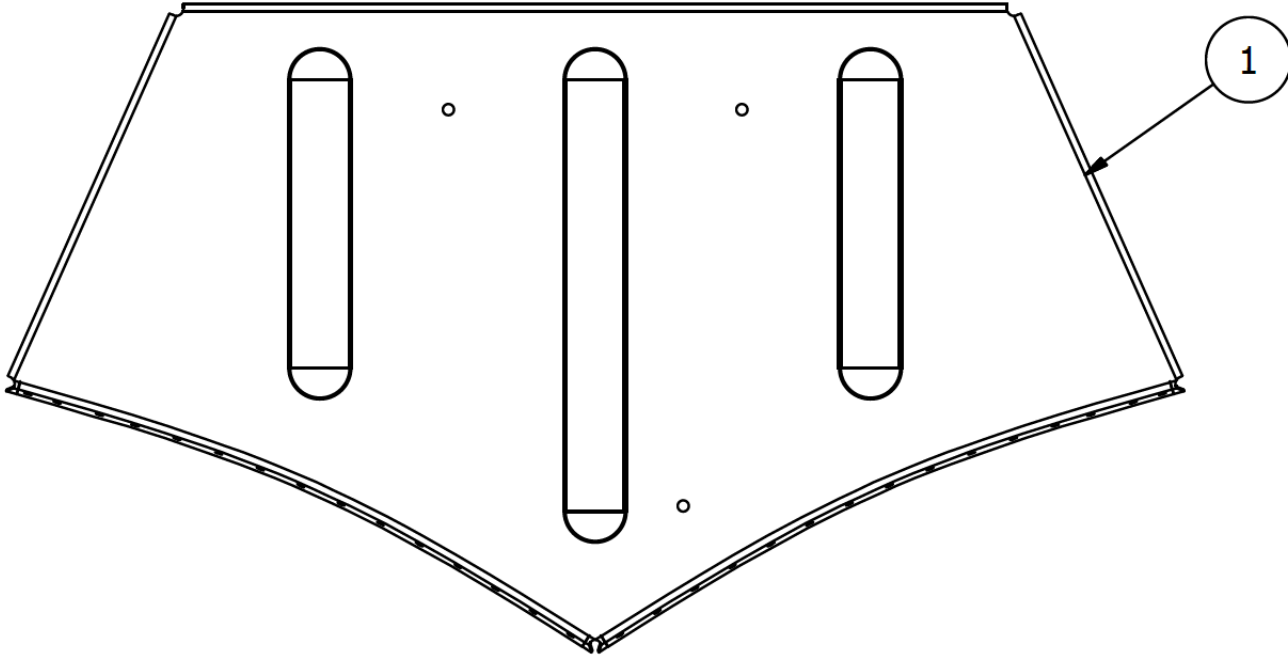
| ITEM | QTY | PART NO. | PART DESCRIPTION |
|------|-----|--------------|------------------------|
| - | 1 | 21A01000-395 | BULKHEAD STN. #11 ASSY |
| 1 | 1 | 21A01158-168 | BULKHEAD #11 - FORMED |

BULKHEAD #12



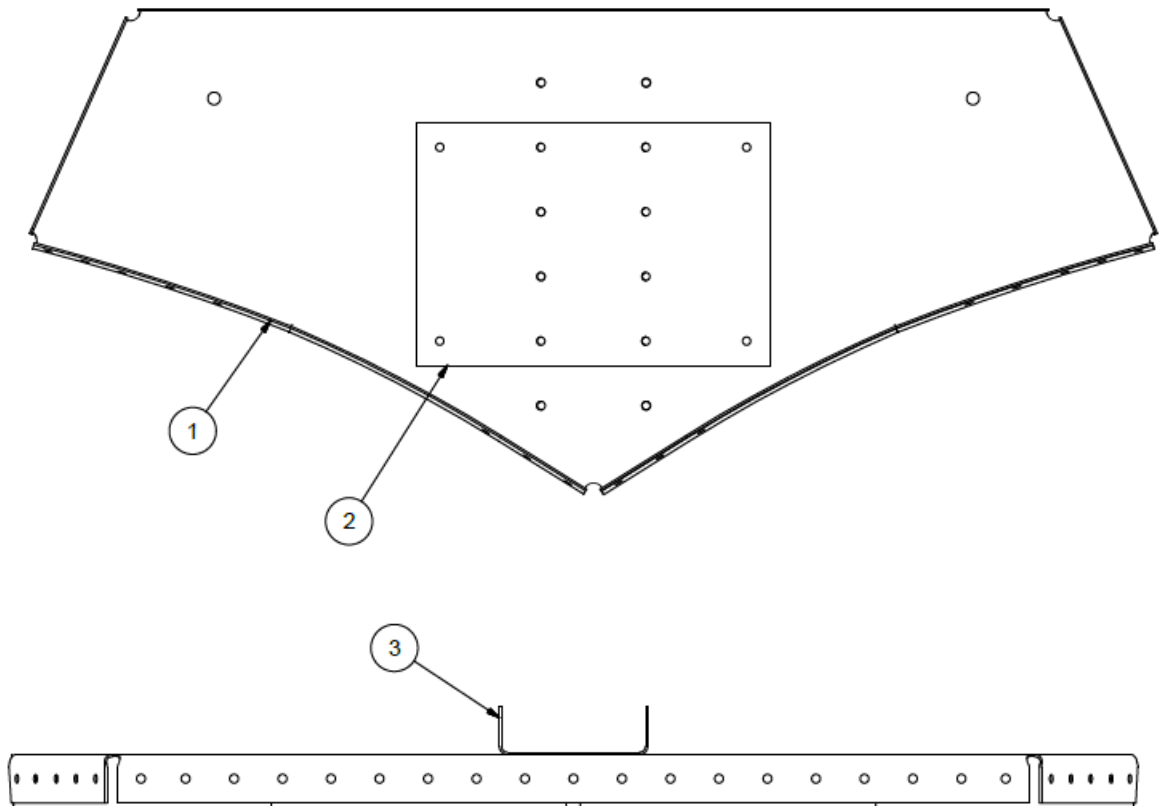
| ITEM | QTY | PART NO. | PART DESCRIPTION |
|------|-----|--------------|-----------------------|
| - | 1 | 21A01000-396 | ASSY, BULKHEAD #12 |
| 1 | 1 | 21A01158-167 | BULKHEAD #12 - FORMED |

BULKHEAD #13



| ITEM | QTY | PART NO. | PART DESCRIPTION |
|------|-----|--------------|------------------------|
| - | 1 | 21A01000-397 | ASSEMBLY, BULKHEAD #13 |
| 1 | 1 | 21A01158-166 | BULKHEAD #13 - FORMED |

BULKHEAD #15



| ITEM | QTY | PART NO. | PART DESCRIPTION |
|------|-----|--------------|---------------------------|
| - | 1 | 23A01000-298 | BULKHEAD #15 ASSY |
| 1 | 1 | 23A01158-198 | BULKHEAD #15 |
| 2 | 1 | 21A08156-130 | PLATE - WATER RUDDER STOP |
| 3 | 1 | 1009187 | CHANNEL - BULKHEAD #15 |

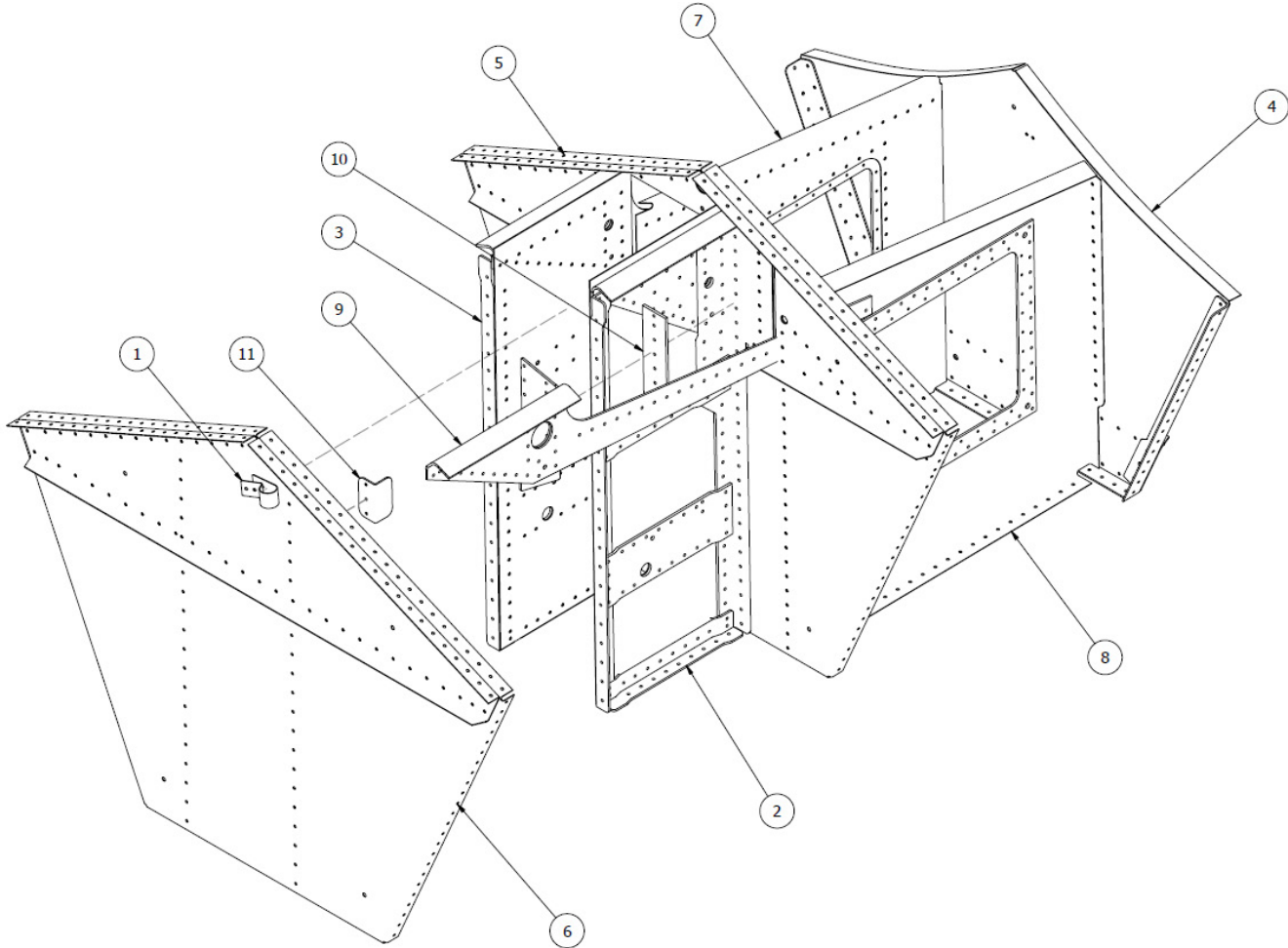
THIS PAGE INTENTIONALLY LEFT BLANK

SECTION 2 WHEEL WELL ASSEMBLIES

CONTENTS

| | |
|---|----|
| WHEEL WELL BUILD UP ASSEMBLY LEFT FLOAT | 36 |
| WHEEL WELL BUILD UP ASSEMBLY RIGHT FLOAT..... | 38 |

WHEEL WELL BUILD UP ASSEMBLY LEFT FLOAT

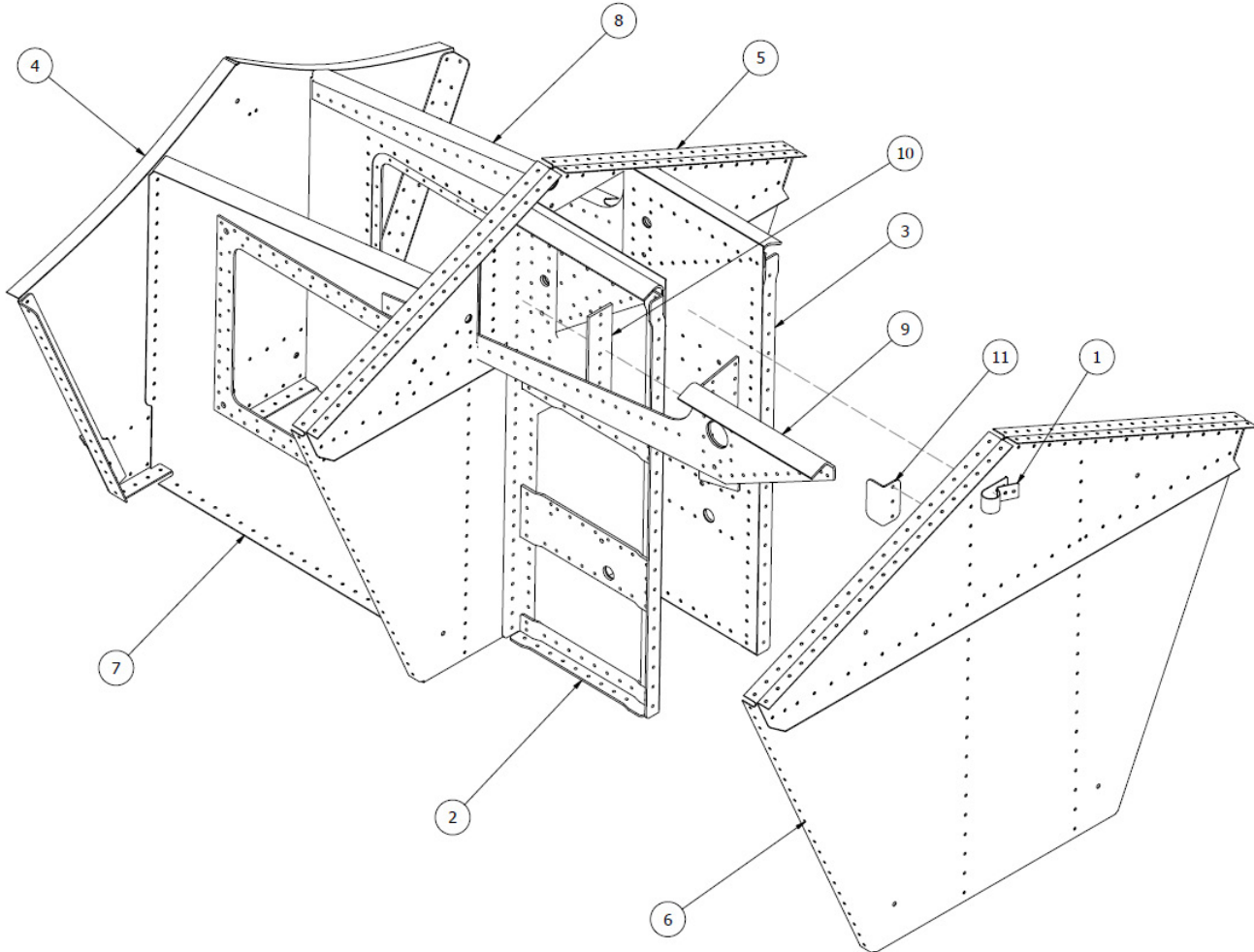


| ITEM | QTY | PART NO. | PART DESCRIPTION |
|------|-----|--------------|---|
| - | 1 | 21A01000-293 | WHEEL WELL BUILD UP ASSY. LT. |
| 1 | 1 | 3A01158-003 | CLAMP, PUMP OUT TUBE |
| 2 | 1 | 21A01000-255 | ASSEMBLY, WHEEL WELL LONG, LH |
| | 1 | 21A01359-196 | ANGLE - WHEEL WELL |
| | 1 | 21A01359-198 | ANGLE, WHEEL WELL, LONG, 2350 COMP |
| | 1 | 21A01017-007 | CARRY THRU STRAP - SHORT - LH |
| | 1 | 21A01160-022 | PLATE - SUPPORT WHEEL WELL WIDE - RH |
| | 1 | 21A01160-020 | PLATE - SUPPORT - WHEELWELL - RH |
| | 1 | 21A01357-058 | ANGLE, WIDE WHEEL WELL, LONG, RT, 2350 |
| | 1 | 21A01002-135 | PANEL - WHEEL WELL LONG |
| 3 | 1 | 21A01000-257 | ASSY, WHEEL WELL. SHORT, LT, 2350 |
| | 1 | 1003343 | DOUBLER, PROXIMITY SWITCH |
| | 1 | 21A01002-133 | PANEL, WHEEL WELL SHORT |
| | 1 | 21A01017-005 | CARRY THRU STRAP - LONG - SMALL HOLE - LH |

PARTS MANUAL
2350 FLOATS ON CESSNA 172 &175 SERIES

| ITEM | QTY | PART NO. | PART DESCRIPTION |
|------|-----|--------------|--|
| | 1 | 21A01160-021 | PLATE - SUPPORT WHEEL WELL- LH |
| | 1 | 21A01160-023 | PLATE - SUPPORT - WHEEL WELL WIDE - LH |
| | 1 | 21A01357-056 | ANGLE, WIDE WHEEL WELL SHORT, RIGHT |
| | 1 | 21A01359-195 | ANGLE - WHEEL WELL |
| | 1 | 21A01359-200 | ANGLE, LONG WHEEL WELL SHORT |
| 4 | 1 | 21A01000-262 | ASSY, BLKHD 10, 2350 COMP |
| 5 | 1 | 21A01000-263 | ASSY, BULKHEAD #8, LH |
| 6 | 1 | 21A01000-267 | ASSEMBLY, BULKHEAD #7, LH |
| 7 | 1 | 21A01000-289 | ASSY, SIDE PANEL, WHEEL WELL, LT. 2350 |
| | 1 | 21A01158-185 | PANEL - LH - WHEEL WELL |
| | 1 | 13A01156-124 | SUPPORT, INSPECTION COVER, WHEEL WELL, LARGE |
| 8 | 1 | 21A01000-290 | ASSY, SIDE PANEL, WHEEL WELL, RT. 2350 |
| | 1 | 21A01158-186 | PANEL - RH - WHEEL WELL |
| | 1 | 13A01156-124 | SUPPORT, INSPECTION COVER, WHEEL WELL, LARGE |
| 9 | 1 | 21A01000-291 | ASSY, CARRY THRU STRAP, LT, 2350 |
| | 1 | 21A01017-002 | CARRY THRU STRAP - LONG - LARGE HOLE - RH |
| | 1 | 21A01156-132 | ANGLE, CARRY THRU, RIGHT |
| 10 | 1 | 21A01156-125 | SPACER, CARRY THRU STRAP, 2350 |
| 11 | 1 | 21A01326-015 | ANGLE, CARRY THRU |

WHEEL WELL BUILD UP ASSEMBLY RIGHT FLOAT



| ITEM | QTY | PART NO. | PART DESCRIPTION |
|------|-----|--------------|--|
| - | 1 | 21A01000-294 | WHEEL WELL BUILD UP ASSY. RT. |
| 1 | 1 | 3A01158-003 | CLAMP, PUMP OUT TUBE |
| 2 | 1 | 21A01000-254 | ASSEMBLY, WHEEL WELL LONG, RH |
| | 1 | 21A01002-135 | PANEL - WHEEL WELL LONG |
| | 1 | 21A01017-006 | CARRY THRU STRAP - SHORT - RH |
| | 1 | 21A01359-197 | ANGLE, LONG WHEEL WELL, LONG |
| | 1 | 21A01359-195 | ANGLE - WHEEL WELL |
| | 1 | 21A01160-023 | PLATE - SUPPORT - WHEEL WELL WIDE - LH |
| | 1 | 21A01160-021 | PLATE - SUPPORT WHEEL WELL- LH |
| | 1 | 21A01357-059 | ANGLE, WIDE WHEEL WELL LONG, LT, 2350 |
| 3 | 1 | 21A01000-256 | ASSY, WHEEL WELL PANEL, SHORT, RH |
| | 1 | 1003343 | DOUBLER, PROXIMITY SWITCH |
| | 1 | 21A01002-133 | PANEL, WHEEL WELL SHORT |

PARTS MANUAL
2350 FLOATS ON CESSNA 172 & 175 SERIES

| ITEM | QTY | PART NO. | PART DESCRIPTION |
|------|-----|--------------|--|
| | 1 | 21A01017-004 | CARRY THRU STRAP - LONG - SMALL HOLE - RH |
| | 1 | 21A01160-020 | PLATE - SUPPORT - WHEEL WELL - RH |
| | 1 | 21A01160-022 | PLATE - SUPPORT WHEEL WELL WIDE - RH |
| | 1 | 21A01357-057 | ANGLE, WIDE WHEEL WELL SHORT, LEFT |
| | 1 | 21A01359-196 | ANGLE - WHEEL WELL |
| | 1 | 21A01359-199 | ANGLE, LONG WHEEL WELL SHORT |
| 4 | 1 | 21A01000-262 | ASSY, BLKHD 10, 2350 COMP |
| 5 | 1 | 21A01000-264 | ASSY, BULKHEAD #8, RH |
| 6 | 1 | 21A01000-266 | ASSEMBLY, BULKHEAD #7, RH |
| 7 | 1 | 21A01000-289 | ASSY, SIDE PANEL, WHEEL WELL, LT. 2350 |
| | 1 | 21A01158-185 | PANEL - LH - WHEEL WELL |
| | 1 | 13A01156-124 | SUPPORT, INSPECTION COVER, WHEEL WELL, LARGE |
| 8 | 1 | 21A01000-290 | ASSY, SIDE PANEL, WHEEL WELL, RT. 2350 |
| | 1 | 21A01158-186 | PANEL - RH - WHEEL WELL |
| | 1 | 13A01156-124 | SUPPORT, INSPECTION COVER, WHEEL WELL, LARGE |
| 9 | 1 | 21A01000-292 | ASSY, CARRY THRU STRAP, RT, 2350 |
| | 1 | 21A01017-003 | CARRY THRU STRAP - LONG - LARGE HOLE - LH |
| | 1 | 21A01156-131 | ANGLE, CARRY THRU, LEFT |
| 10 | 1 | 21A01156-125 | SPACER, CARRY THRU STRAP, 2350 |
| 11 | 1 | 21A01326-015 | ANGLE, CARRY THRU |

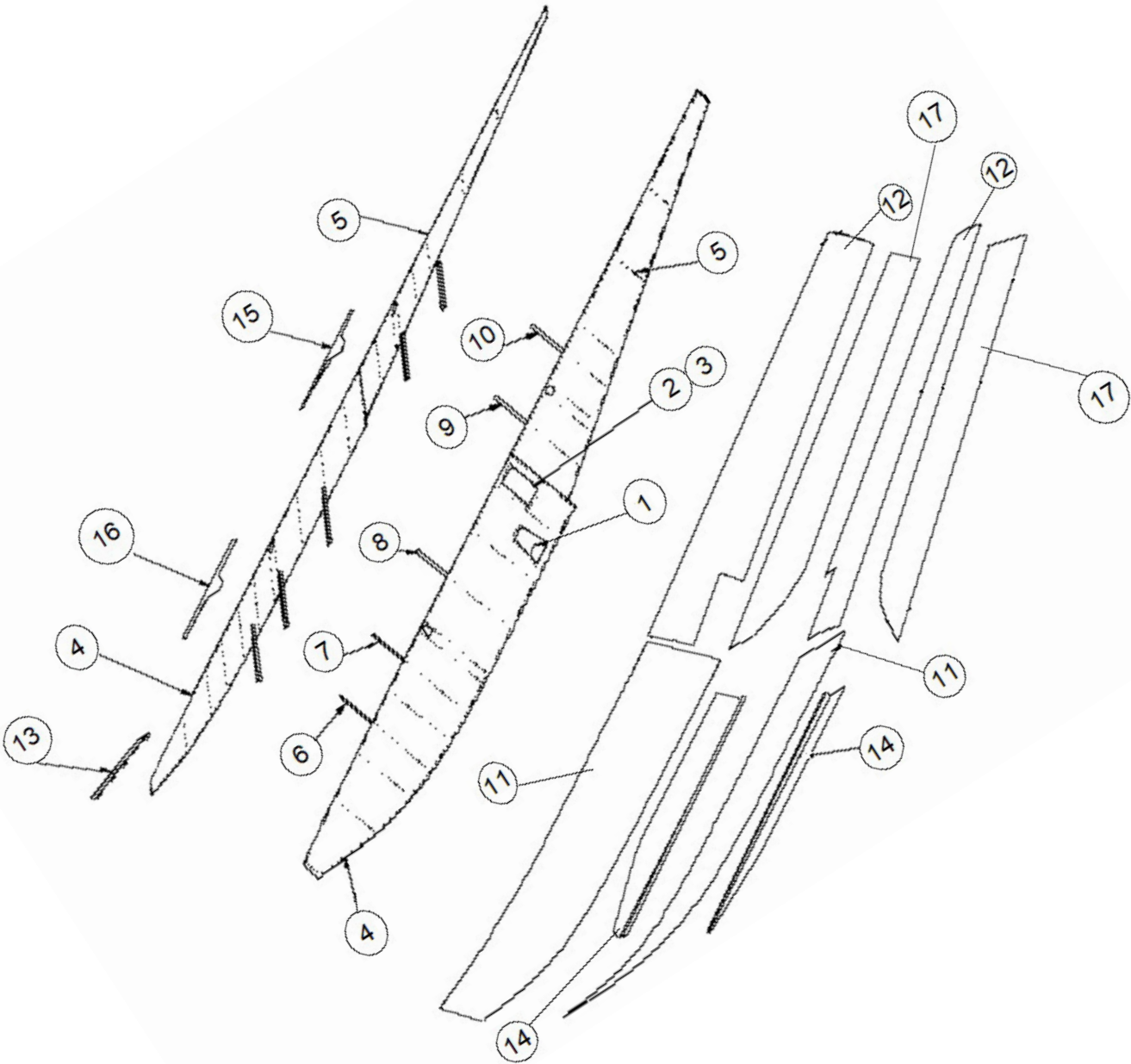
THIS PAGE INTENTIONALLY LEFT BLANK

SECTION 3 SKINS & STIFFENERS

CONTENTS

| | |
|---|----|
| BOTTOM & SIDE SKINS & STIFFENERS OVERVIEW - AMPHIBIAN | 42 |
| BOTTOM & SIDE SKINS & STIFFENERS OVERVIEW - SEAPLANE..... | 44 |
| BOTTOM SKIN ASSEMBLIES | 46 |
| BOTTOM SKIN WITH STIFFENERS LEFT | 47 |
| BOTTOM SKIN WITH STIFFENERS RIGHT | 48 |

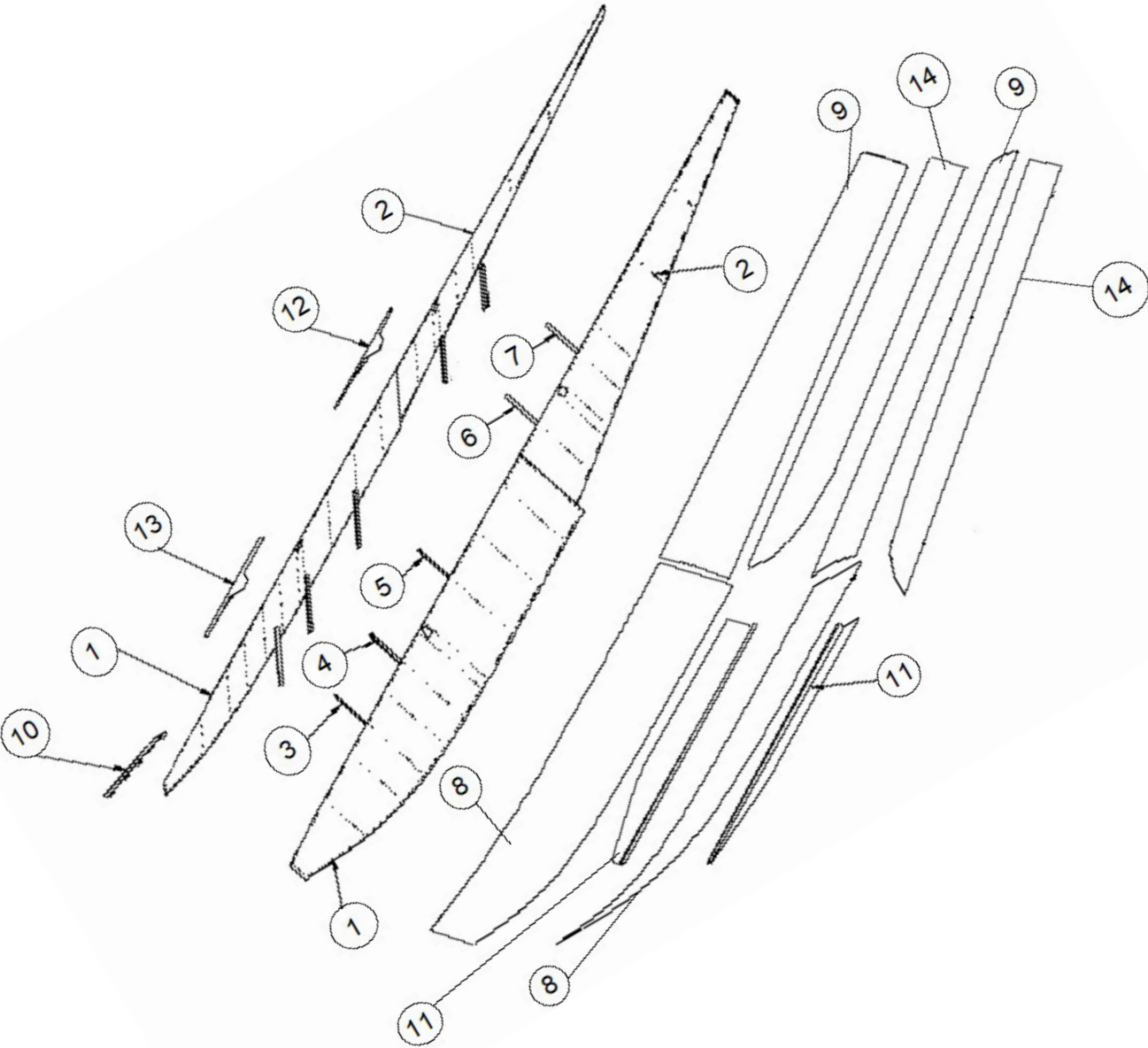
BOTTOM & SIDE SKINS & STIFFENERS OVERVIEW - AMPHIBIAN



PARTS MANUAL
2350 FLOATS ON CESSNA 172 &175 SERIES

| ITEM | QTY | PART NO. | PART DESCRIPTION |
|------|-----|--------------|--|
| 1 | 1 | 3A01000-005 | STEP – BOARDING |
| 2 | 2 | 21A01156-126 | REINFORCEMENT – COVER |
| 3 | 2 | 21A01000-427 | COVER, SIDE ACCESS ASS'Y |
| | 2 | 21A01004-101 | COVER – INSP. |
| | 56 | AN526-632R6 | SCREW – ATTACH |
| | 2 | 21A01567-012 | GASKET |
| 4 | 1 | 23A01004-109 | SIDE SKIN – STEP TO BOW L. OUTBR'D |
| | 1 | 23A01004-108 | SIDE SKIN – STEP TO BOW R. OUTBR'D |
| | 1 | 23A01004-111 | SIDE SKIN – STEP TO BOW L. INBR'D |
| | 1 | 23A01004-110 | SIDE SKIN – STEP TO BOW R. INBR'D |
| | 1 | 3A01158-093 | BRACKET (PADDLE) |
| | 1 | 1002113 | PADDLE STOP |
| | 1 | 3A01503-001 | CLIP (HOLDS PADDLE) |
| | 1 | 0238-0035 | PADDLES |
| 5 | 1 | 23A01004-113 | SIDE SKIN – STEP TO STERN L. OUTBR'D |
| | 1 | 23A01004-112 | SIDE SKIN – STEP TO STERN R. OUTBR'D |
| | 1 | 23A01004-115 | SIDE SKIN – STEP TO STERN L. INBR'D |
| | 1 | 23A01004-114 | SIDE SKIN – STEP TO STERN R. INBR'D |
| 6 | 2 | 23A01340-114 | STIFFENER – SIDE SKIN |
| 7 | 2 | 23A01340-115 | STIFFENER – SIDE SKIN |
| 8 | 2 | 23A01340-116 | STIFFENER – SIDE SKIN |
| 9 | 2 | 23A01340-117 | STIFFENER – SIDE SKIN |
| 10 | 2 | 23A01340-118 | STIFFENER – SIDE SKIN |
| 11 | 1 | 1011500 | ASSEMBLY, SKIN, BOTTOM, FWD, LEFT, 2350 (SEE DETAIL) |
| | | 1011501 | ASSEMBLY, SKIN, BOTTOM, FWD, RIGHT, 2350 (SEE DETAIL) |
| 12 | 1 | 23A01004-121 | BOTTOM SKIN AFTERBODY L. |
| | 1 | 23A01004-120 | BOTTOM SKIN AFTERBODY R. |
| 13 | 1 | 21A01000-274 | ASS'Y SPRAY RAIL L. |
| | 1 | 21A01000-275 | ASS'Y SPRAY RAIL R. |
| 14 | 1 | 21A01000-429 | BOOSTER – SISTER KEEL L. |
| | 1 | 21A01000-428 | BOOSTER – SISTER KEEL R. |
| 15 | 1 | 21A01162-033 | DOUBLER – GUNWALL AFT L. |
| 16 | 1 | 21A01162-031 | DOUBLER – GUNWALL FWD L. |
| | 1 | 21A01162-032 | DOUBLER – GUNWALL FWD R. |
| | 1 | 21A01162-034 | DOUBLER – GUNWALL AFT R. |
| 17 | 1 | 1009446 | SCALLOP, FORMED WITH FOAM, RIGHT 2350 S/N 23177 OR LATER |
| | 1 | 1009539 | SCALLOP, FORMED WITH FOAM, LEFT 2350 S/N 23177 OR LATER |

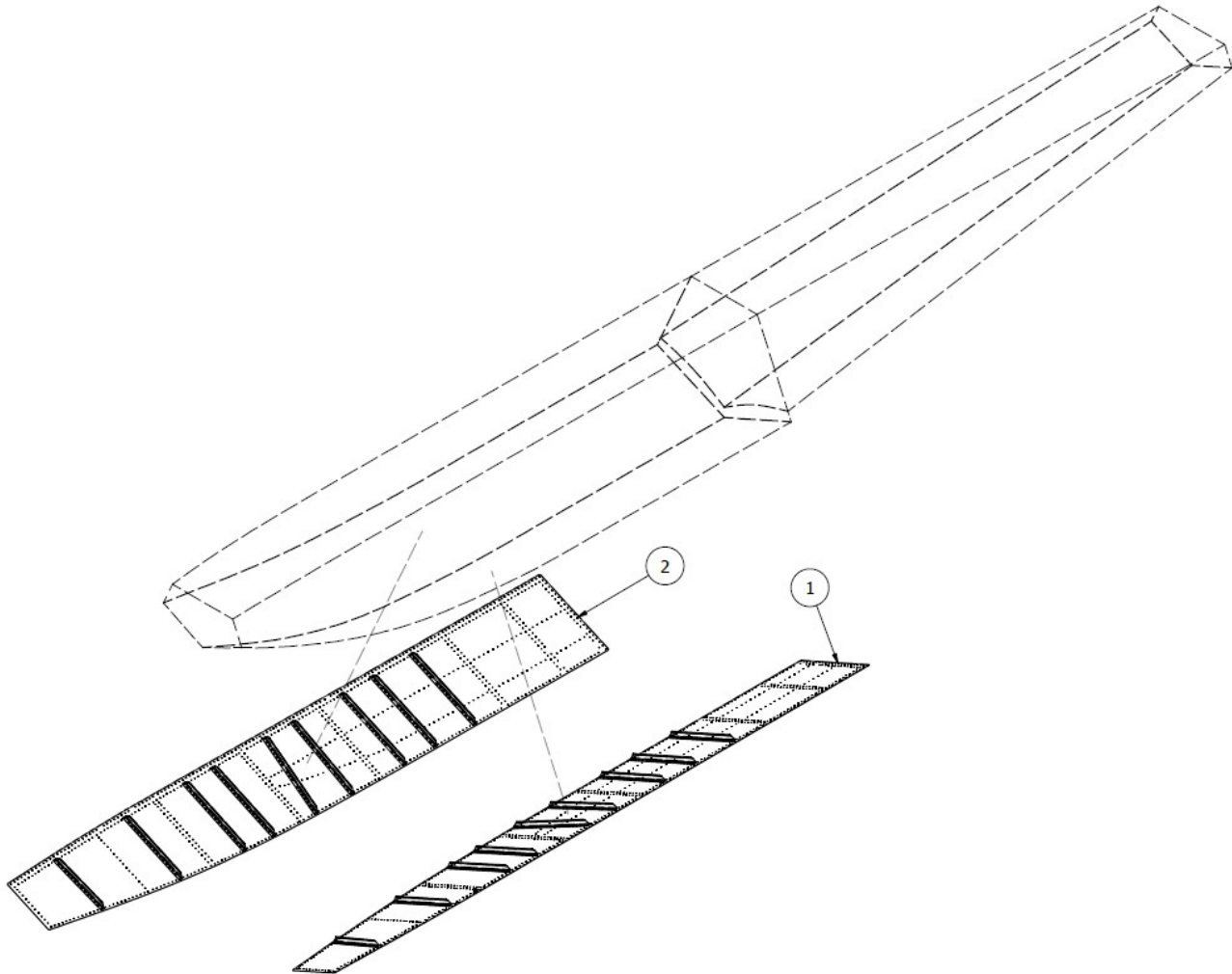
BOTTOM & SIDE SKINS & STIFFENERS OVERVIEW - SEAPLANE



PARTS MANUAL
2350 FLOATS ON CESSNA 172 & 175 SERIES

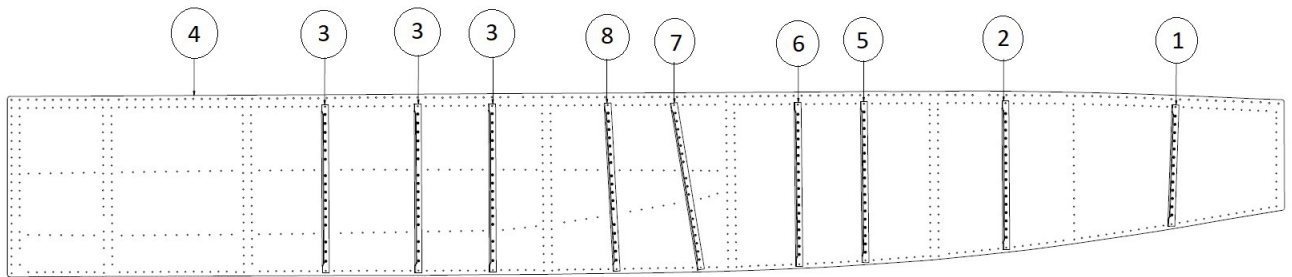
| ITEM | QTY | PART NO. | PART DESCRIPTION |
|------|-----|--------------|---|
| 1 | 1 | 23S01004-123 | SIDE SKIN – STEP TO BOW L. OUTBR'D |
| | 1 | 23S01004-122 | SIDE SKIN – STEP TO BOW R. OUTBR'D |
| | 1 | 23S01004-125 | SIDE SKIN – STEP TO BOW L. INBR'D |
| | 1 | 23S01004-124 | SIDE SKIN – STEP TO BOW R. INBR'D |
| | 1 | 3A01158-093 | BRACKET (PADDLE) |
| | 1 | 1002113 | PADDLE STOP |
| | 1 | 3A01503-001 | CLIP (HOLDS PADDLE) |
| | 1 | 0238-0035 | PADDLES |
| 2 | 1 | 23A01004-113 | SIDE SKIN – STEP TO STERN L. OUTBR'D |
| | 1 | 23A01004-112 | SIDE SKIN – STEP TO STERN R. OUTBR'D |
| | 1 | 23A01004-115 | SIDE SKIN – STEP TO STERN L. INBR'D |
| | 1 | 23A01004-114 | SIDE SKIN – STEP TO STERN R. INBR'D |
| 3 | 2 | 23A01340-114 | STIFFENER – SIDE SKIN |
| 4 | 2 | 23A01340-115 | STIFFENER – SIDE SKIN |
| 5 | 2 | 23A01340-116 | STIFFENER – SIDE SKIN |
| 6 | 2 | 23A01340-117 | STIFFENER – SIDE SKIN |
| 7 | 2 | 23A01340-118 | STIFFENER – SIDE SKIN |
| 8 | 1 | 1011500 | ASSEMBLY, SKIN, BOTTOM, FWD, LEFT, 2350 (SEE DETAIL) |
| | | 1011501 | ASSEMBLY, SKIN, BOTTOM, FWD, RIGHT, 2350 (SEE DETAIL) |
| 9 | 1 | 23S01004-133 | BOTTOM SKIN AFTERBODY L. |
| | 1 | 23S01004-132 | BOTTOM SKIN AFTERBODY R. |
| 10 | 1 | 21A01000-275 | ASS'Y SPRAY RAIL L. |
| | 1 | 21A01000-274 | ASS'Y SPRAY RAIL R. |
| 11 | 1 | 21A01000-429 | BOOSTER – SISTER KEEL L. |
| | 1 | 21A01000-428 | BOOSTER – SISTER KEEL R. |
| 12 | 1 | 21A01162-033 | DOUBLER – GUNWALL AFT L. |
| | 1 | 21A01162-034 | DOUBLER – GUNWALL AFT R. |
| 13 | 1 | 21A01162-031 | DOUBLER – GUNWALL FWD L. |
| | 1 | 21A01162-032 | DOUBLER – GUNWALL FWD R. |
| 14 | 1 | 1009539 | SCALLOP, FORMED WITH FOAM, LEFT, 2350 |
| | 1 | 1009446 | SCALLOP, FORMED WITH FOAM, RIGHT, 2350 |

BOTTOM SKIN ASSEMBLIES



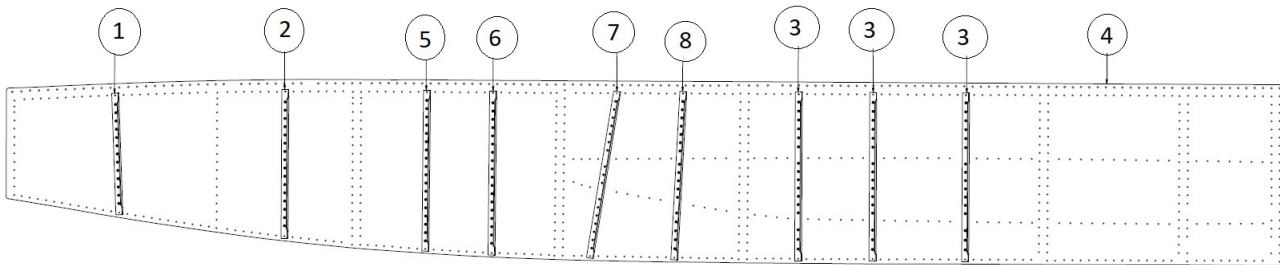
| ITEM | QTY | PART NO. | PART DESCRIPTION |
|------|-----|----------|---|
| 1 | 1 | 1011500 | ASSEMBLY, SKIN, BOTTOM, FWD, LEFT, 2350 (SEE DETAIL) |
| 2 | 1 | 1011501 | ASSEMBLY, SKIN, BOTTOM, FWD, RIGHT, 2350 (SEE DETAIL) |

BOTTOM SKIN WITH STIFFENERS LEFT



| ITEM | QTY | PART NO. | PART DESCRIPTION |
|------|-----|----------|---|
| - | 1 | 1011500 | ASSEMBLY, SKIN, BOTTOM, FWD, LEFT, 2350 |
| 1 | 1 | 1011412 | STIFFENER, BOTTOM SKIN, FWD |
| 2 | 1 | 1011413 | STIFFENER, BOTTOM SKIN, FWD |
| 3 | 3 | 1011420 | STIFFENER, BOTTOM SKIN, FWD |
| 4 | 1 | 1011422 | SKIN, BOTTOM, LH, FWD, 2350 |
| 5 | 1 | 1011424 | STIFFENER, BOTTOM SKIN, FWD |
| 6 | 1 | 1011425 | STIFFENER, BOTTOM SKIN, FWD |
| 7 | 1 | 1011426 | STIFFENER, BOTTOM SKIN, FWD |
| 8 | 1 | 1011428 | STIFFENER, BOTTOM SKIN, FWD |

BOTTOM SKIN WITH STIFFENERS RIGHT



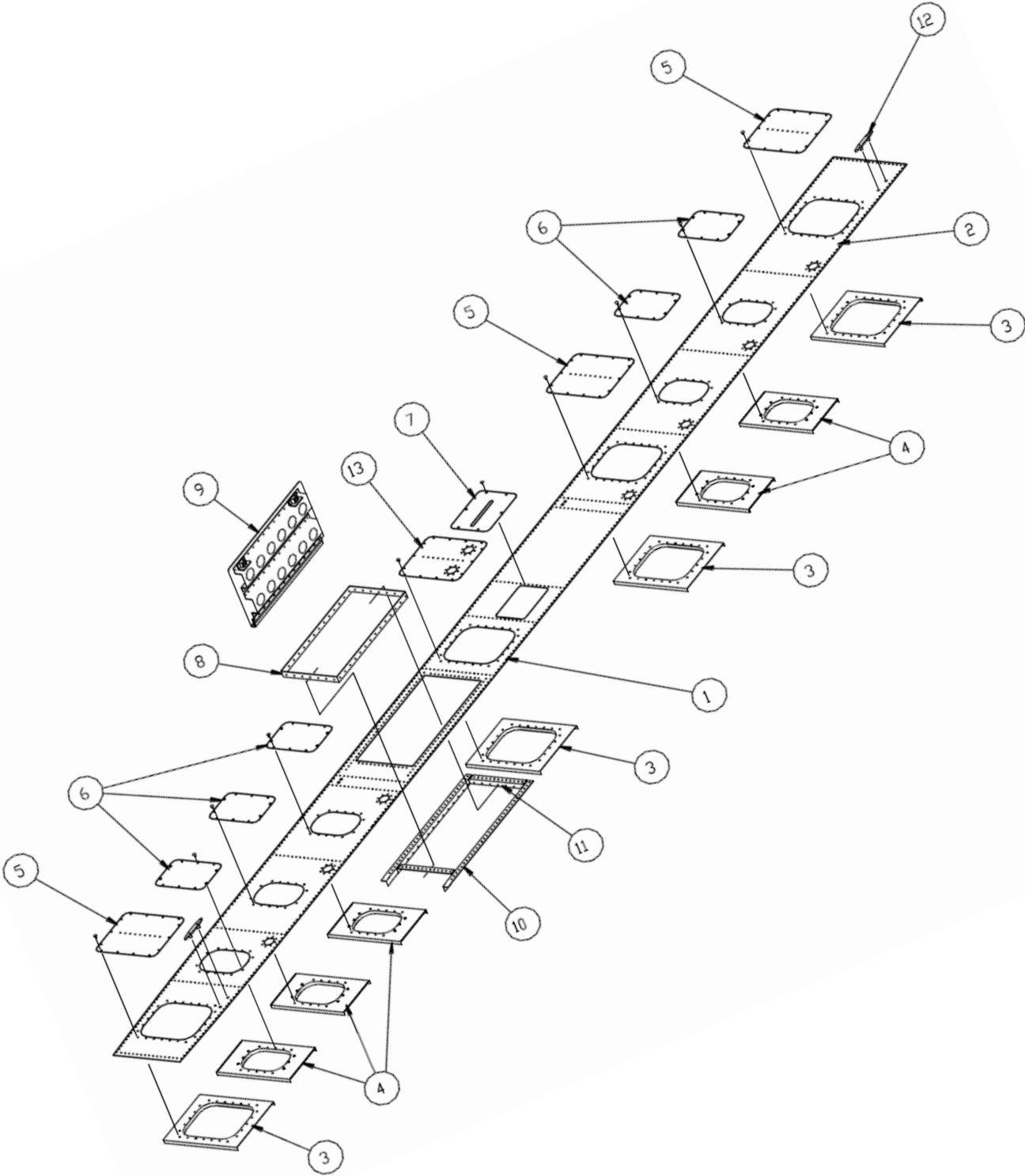
| ITEM | QTY | PART NO. | PART DESCRIPTION |
|------|-----|----------|--|
| - | 1 | 1011501 | ASSEMBLY, SKIN, BOTTOM, FWD, RIGHT, 2350 |
| 1 | 1 | 1011412 | STIFFENER, BOTTOM SKIN, FWD |
| 2 | 1 | 1011413 | STIFFENER, BOTTOM SKIN, FWD |
| 3 | 3 | 1011421 | STIFFENER, BOTTOM SKIN, FWD |
| 4 | 1 | 1011423 | SKIN, BOTTOM, RH, FWD, 2350 |
| 5 | 1 | 1011424 | STIFFENER, BOTTOM SKIN, FWD |
| 6 | 1 | 1011425 | STIFFENER, BOTTOM SKIN, FWD |
| 7 | 1 | 1011426 | STIFFENER, BOTTOM SKIN, FWD |
| 8 | 1 | 1011429 | STIFFENER, BOTTOM SKIN, FWD |

SECTION 4 TOP DECK ASSEMBLY

CONTENTS

| | |
|----------------------------|----|
| TOP DECK - AMPHIBIAN | 50 |
| TOP DECK - SEAPLANE..... | 53 |

TOP DECK - AMPHIBIAN

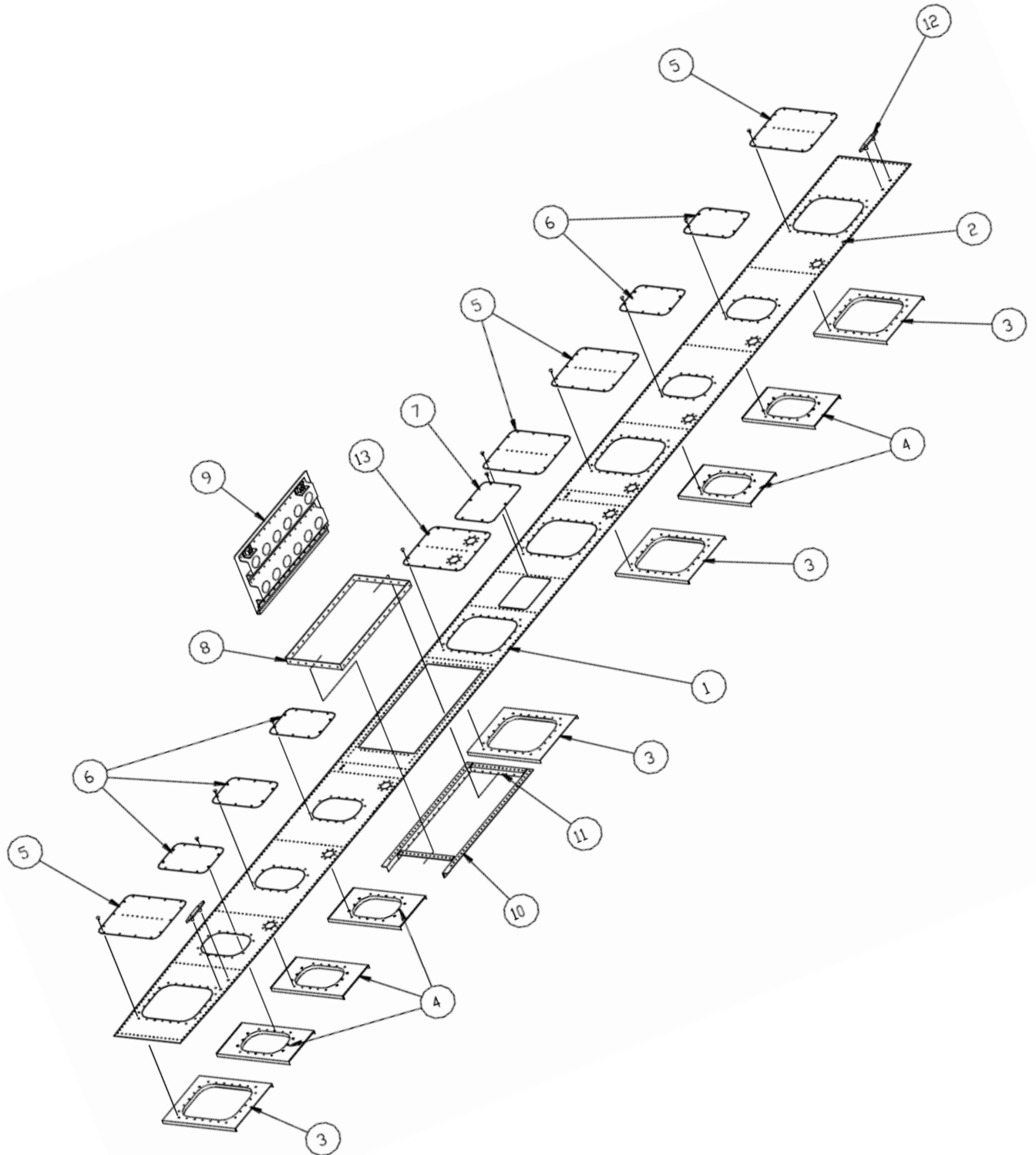


PARTS MANUAL
2350 FLOATS ON CESSNA 172 &175 SERIES

| ITEM | QTY | PART NO. | PART DESCRIPTION |
|------|-----|--------------|--|
| 1 | 1 | 23A01004-117 | SKIN – FWD SECTION L. |
| | 1 | 23A01004-116 | SKIN – FWD SECTION R. |
| 2 | 1 | 23A01004-119 | SKIN – AFT SECTION L. |
| | 1 | 23A01004-118 | SKIN – AFT SECTION R. |
| 3 | 4 | 21A01002-130 | SUPPORT – INSP. COVER – LARGE |
| | A/R | 1002481 | NUT – TINNERMAN & INSULATOR |
| 4 | 5 | 21A01002-131 | SUPPORT – INSP. COVER – SMALL |
| | A/R | 1002481 | NUT – TINNERMAN & INSULATOR |
| 5 | 4/3 | 21A01000-258 | INSP. COVER – LARGE – W/ ANGLE & GASKETS |
| | A/R | #8 X 5/8 | SCREW – ATTACH |
| | 4/3 | 1001437 | SEAL – GASKET ONLY |
| | 4/3 | 21A01567-001 | SEAL – GASKET ONLY |
| 6 | 5 | 21A01000-284 | INSP. COVER – SMALL & GASKETS |
| | A/R | #8 X 5/8 | SCREW – ATTACH |
| | 5 | 1001728 | SEAL – GASKET ONLY |
| | 5 | 21A01567-002 | SEAL – GASKET ONLY |
| 7 | 1 | 21A01002-137 | COVER – GEAR INDICATOR L. |
| | 1 | 21A01002-138 | COVER – GEAR INDICATOR R. |
| | 1 | 10A3-6338-1 | PLACARD – DOWN - LAND |
| | 1 | 10A3-6338-2 | PLACARD – UP - WATER |
| | 4 | 2600-3 | SCREW – CAM - LOK |
| | 2 | 1126000-5 | SCREW – CAM – LOK |
| | 6 | 212-12 | RECEPTACLE – CAM – LOK |
| 8 | 1 | 21A01150-131 | JAMB – BAGGAGE DOOR |
| | 1 | 1002067 | JAMB – HINGE SIDE |
| 9 | 1 | 21A01000-268 | ASSY – BAGGAGE DOOR |
| | 1 | 21A01162-035 | COVER - SKIN |
| | 1 | 21A01741-004 | HINGE |
| | 1 | 1002186 | HINGE PIN |
| | 2 | 21A01010-012 | STIFFENER - DOOR |
| | 2 | 21A01004-106 | STIFFENER ENDS |
| | 2 | 3A01206-001 | RETAINER - LOCK |
| | 2 | 3A01273-004 | LOCK PIN |
| | 2 | 3A01702-004 | CATCH – LATCH |
| | 2 | 3A01525-003 | LOCK SPRING |
| | 2 | 1002663 | RING – OPENING |
| | 1 | 1001438 | SEAL – GASKET (NOT SHOWN) BAGGAGE HUTCH |
| | 12 | 01692-0410 | POP RIVET |
| | 2 | 10/32 X ½ SS | BOLT |
| 10 | 1 | 21A01326-003 | TOP RAIL – BAGGAGE OPENING L. |
| | 1 | 21A01326-002 | TOP RAIL – BAGGAGE OPENING R. |

| ITEM | QTY | PART NO. | PART DESCRIPTION |
|------|-----|--------------|---|
| 11 | 2 | 21A01326-004 | JAMB – BAGGAGE DOOR |
| 12 | 2 | 21A01203-001 | CLEAT – TIE DOWN |
| | 4 | 21A01280-004 | BUSHING |
| | 4 | AN525-10R24 | SCREW – ATTACH |
| 13 | 1 | 21A01000-273 | INSP. COVER – LARGE – W/ ANGLE (2 CUPS) & GASKETS |
| | A/R | #8 X 5/8 | SCREW – ATTACH |
| | 1 | 1001437 | SEAL – GASKET ONLY |

TOP DECK - SEAPLANE



| ITEM | QTY | PART NO. | PART DESCRIPTION |
|------|-----|--------------|--|
| 1 | 1 | 23S01004-139 | SKIN – FWD SECTION L. |
| | 1 | 23S01004-138 | SKIN – FWD SECTION R. |
| 2 | 1 | 23S01004-141 | SKIN – AFT SECTION L. |
| | 1 | 23S01004-140 | SKIN – AFT SECTION R. |
| 3 | 5 | 21A01002-130 | SUPPORT – INSP. COVER - LARGE |
| | A/R | 1002481 | NUT – TINNERMAN & INSULATOR |
| 4 | 5 | 21A01002-131 | SUPPORT – INSP. COVER – SMALL |
| | A/R | 1002481 | NUT – TINNERMAN & INSULATOR |
| 5 | 5 | 21A01000-258 | INSP. COVER – LARGE – W/ ANGLE & GASKETS |
| | A/R | #8 X 5/8 | SCREW – ATTACH |
| | 5 | 1001437 | SEAL – GASKET ONLY |
| | 5 | 21A01567-001 | SEAL – GASKET |
| 6 | 5 | 21A01000-284 | INSP. COVER – SMALL & GASKETS |
| | A/R | #8 X 5/8 | SCREW – ATTACH |
| | 5 | 1001728 | SEAL – GASKET ONLY |
| | 5 | 21A01567-002 | SEAL – GASKET |
| 7 | 1 | 21S01000-399 | COVER W/ GASKET |
| | 1 | 21S01567-013 | SEAL – GASKET |
| | A/R | #8 X 5/8 | SCREW – ATTACH |
| | A/R | 1002481 | NUT – TINNERMAN & INSULATOR |
| | 2 | 30S01326-035 | STIFFENER – ANGLE |
| 8 | 1 | 21A01150-131 | JAMB – BAGGAGE DOOR |
| | 1 | 1002067 | JAMB – BAGGAGE DOOR, HINGE SIDE |
| 9 | 1 | 21A01000-268 | ASSY – BAGGAGE DOOR |
| | 1 | 21A01162-035 | COVER – SKIN |
| | 1 | 21A01741-004 | HINGE |
| | 2 | 21A01010-012 | STIFFENER – DOOR |
| | 1 | 1002186 | HINGE PIN |
| | 2 | 21A01004-106 | STIFFENER ENDS |
| | 2 | 3A01206-004 | RETAINER – LOCK |
| | 2 | 3A01273-004 | LOCK PIN |
| | 2 | 3A01702-001 | CATCH – LATCH |
| | 2 | 3A01525-003 | LOCK SPRING |
| | 2 | 1002663 | RING – OPENING |
| | 1 | 1001438 | SEAL – GASKET (NOT SHOWN) |
| | 12 | 01692-0410 | POP RIVET |
| | 2 | 10/32 X ½ SS | BOLT |
| 10 | 1 | 21A01326-003 | TOP RAIL – BAGGAGE OPENING L. |
| | 1 | 21A01326-002 | TOP RAIL – BAGGAGE OPENING R. |
| 11 | 1 | 21A01326-004 | JAMB – BAGGAGE DOOR |
| 12 | 2 | 21A01203-001 | CLEAT – TIE DOWN |

PARTS MANUAL
2350 FLOATS ON CESSNA 172 &175 SERIES

| ITEM | QTY | PART NO. | PART DESCRIPTION |
|------|-----|--------------|---|
| | 4 | 21A01280-004 | BUSHING |
| | 4 | AN525-10R24 | SCREW – ATTACH |
| 13 | 1 | 21A01000-273 | INSP. COVER – LARGE – W/ ANGLE (2 CUPS) & GASKETS |
| | A/R | #8 X 5/8 | SCREW – ATTACH |
| | 1 | 1001437 | SEAL – GASKET ONLY |

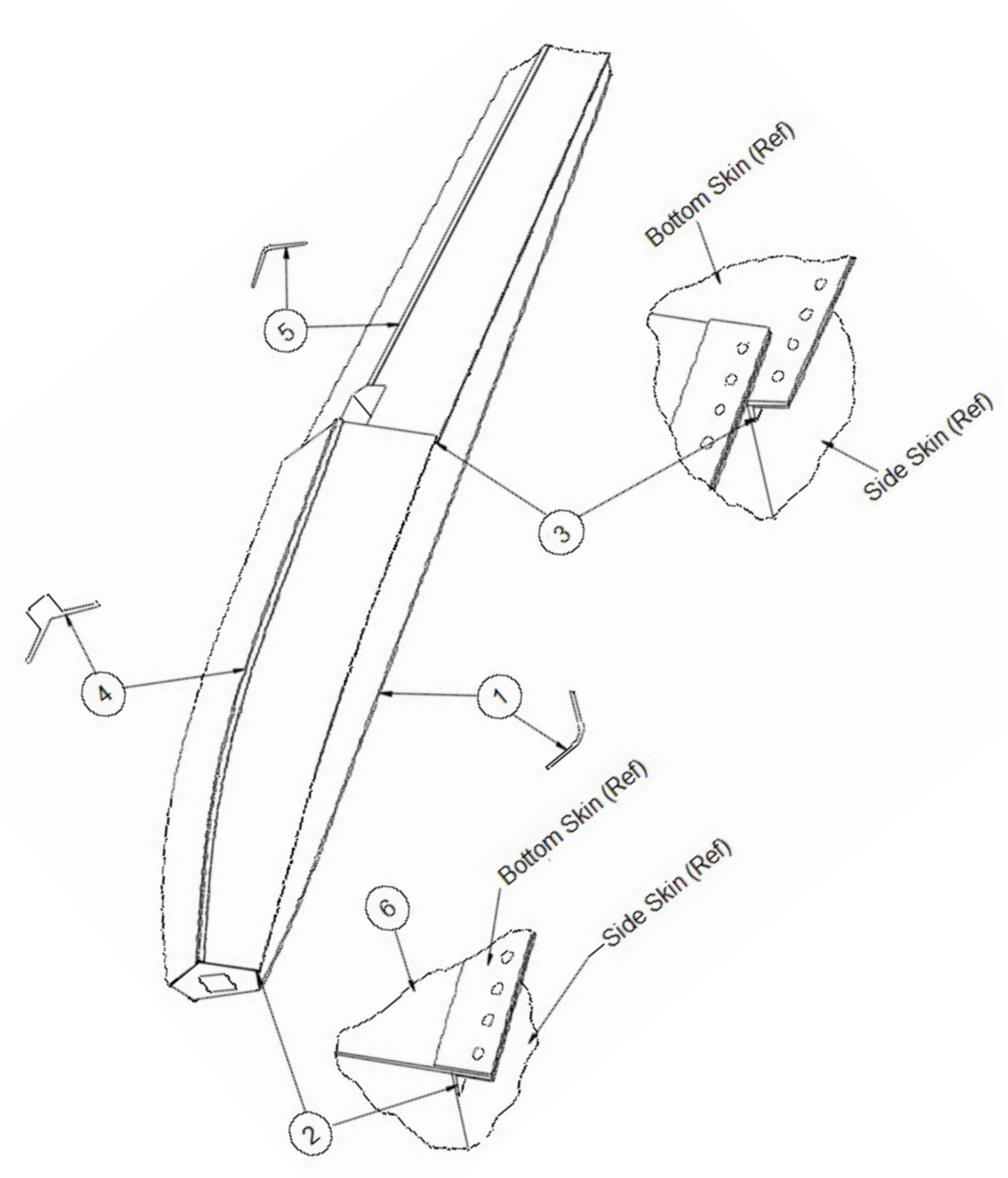
THIS PAGE INTENTIONALLY LEFT BLANK

SECTION 5 EXTRUSIONS

CONTENTS

| | |
|-----------------------------------|----|
| HULL EXTRUSIONS - AMPHIBIAN | 58 |
| HULL EXTRUSIONS - SEAPLANE..... | 60 |

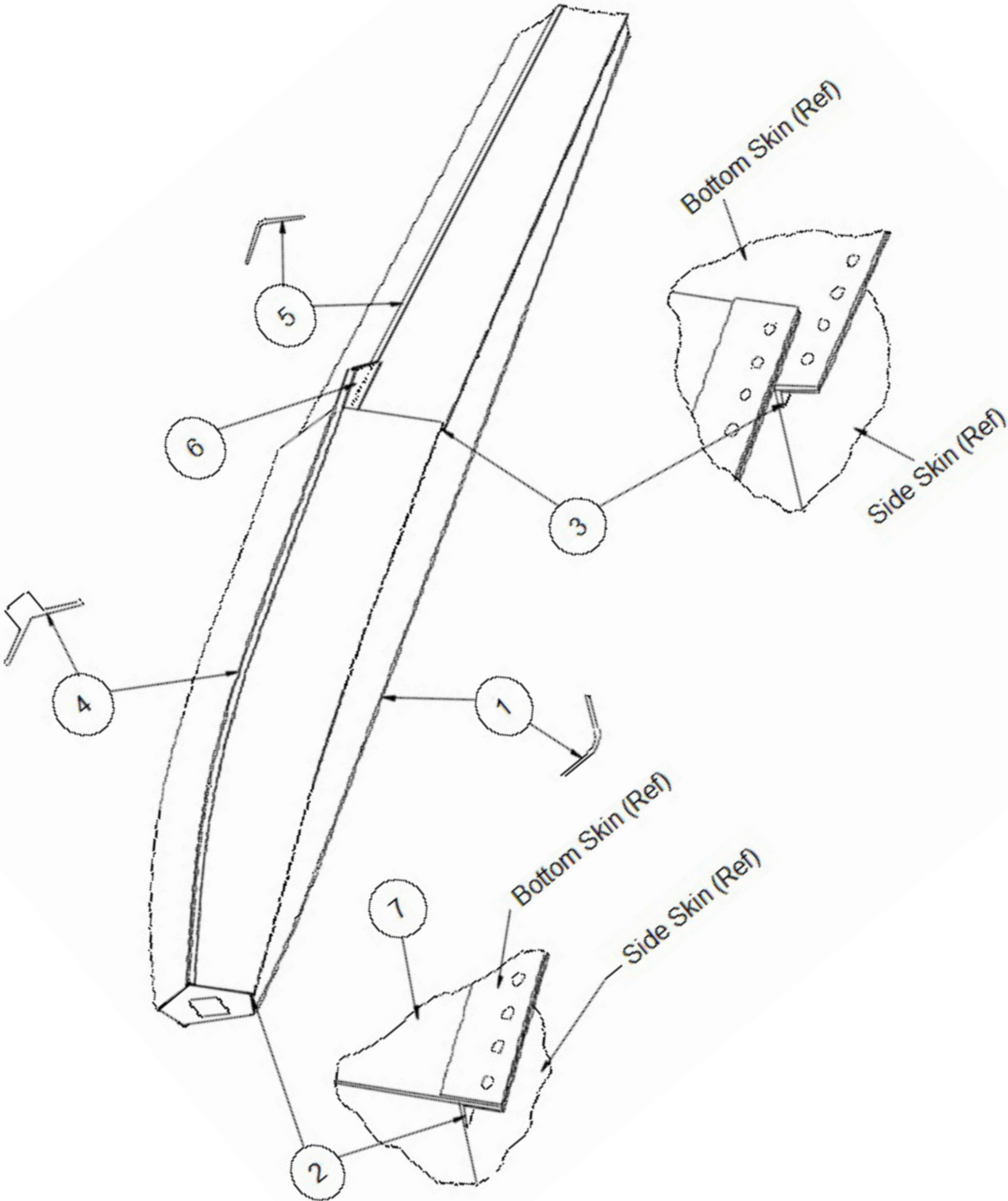
HULL EXTRUSIONS - AMPHIBIAN



PARTS MANUAL
 2350 FLOATS ON CESSNA 172 &175 SERIES

| ITEM | QTY | PART NO. | PART DESCRIPTION |
|------|-----|--------------|----------------------|
| 1 | 1 | 23A01324-003 | GUNWALL – L. |
| | 1 | 23A01324-004 | GUNWALL – R. |
| 2 | 1 | 23A01340-013 | CHINE - FWD L. |
| | 1 | 23A01340-012 | CHINE – FWD R. |
| 3 | 1 | 23A01340-011 | CHINE – AFTERBODY L. |
| | 1 | 23A01340-010 | CHINE – AFTERBODY R. |
| 4 | 1 | 23A01321-002 | KEEL - MAIN |
| 5 | 1 | 23A01008-170 | KEEL - AFTERBODY |
| 6 | 1 | 23A01005-295 | STRAP – CHINE L. |
| | 1 | 23A01005-296 | STRAP – CHINE R. |

HULL EXTRUSIONS - SEAPLANE



PARTS MANUAL
2350 FLOATS ON CESSNA 172 &175 SERIES

| ITEM | QTY | PART NO. | PART DESCRIPTION |
|------|-----|--------------|------------------------------|
| 1 | 1 | 23A01324-003 | GUNWALL – L. |
| | 1 | 23A01324-004 | GUNWALL – R. |
| 2 | 1 | 23A01340-013 | CHINE - FWD L. |
| | 1 | 23A01340-012 | CHINE – FWD R. |
| 3 | 1 | 23A01340-011 | CHINE – AFTERBODY L. |
| | 1 | 23A01340-010 | CHINE – AFTERBODY R. |
| 4 | 1 | 23S01321-003 | KEEL - MAIN |
| 5 | 1 | 23S01008-173 | KEEL - AFTERBODY |
| 6 | 1 | 21S01163-037 | ANGLE SUPPORT – AFTERBODY L. |
| | 1 | 21S01163-038 | ANGLE SUPPORT – AFTERBODY R. |
| 7 | 1 | 23A01005-295 | STRAP - CHINE L. |
| | 1 | 23A01005-296 | STRAP – CHINE R. |

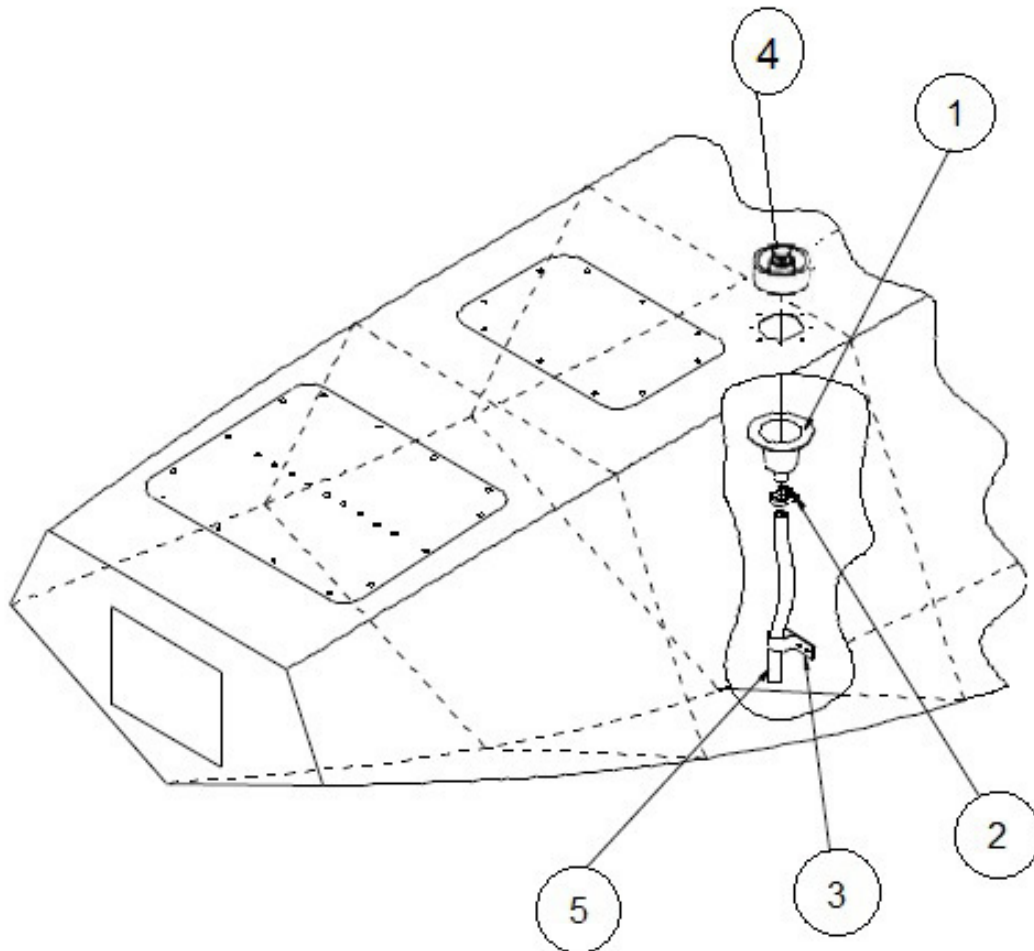
THIS PAGE INTENTIONALLY LEFT BLANK

SECTION 6 PUMPER TUBE INSTALLATION

CONTENTS

| | |
|------------------|----|
| PUMPER TUBE..... | 64 |
|------------------|----|

PUMPER TUBE



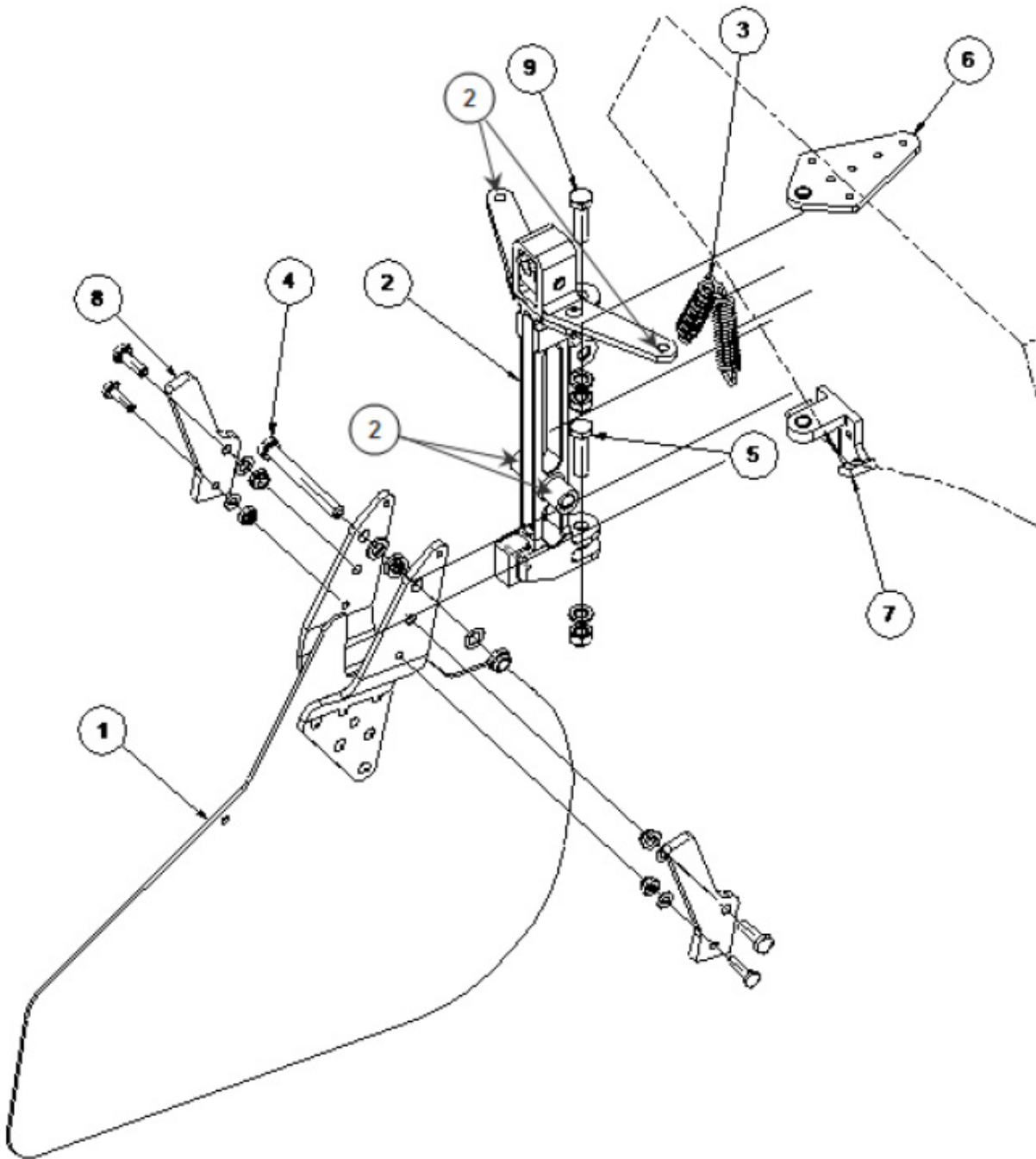
| ITEM | QTY | PART NO. | PART DESCRIPTION |
|------|-----|--------------|---|
| 1 | 1 | 1011004 | ASSEMBLY, CUP, PUMPOUT, DUCKBILL |
| | 1 | 4A01749-001 | CUP – PUMPOUT ALUM. |
| | 1 | 1011808 | RETAINER, VALVE, DUCKBILL, PUMPOUT PLUG |
| 2 | 1 | 57134 | CLAMP – UPPER END |
| 3 | 1 | 3A01158-003 | CLAMP – LOWER END |
| 4 | 1 | 1011870 | VALVE, DUCKBILL (NEW VERSION) |
| | 1 | 2111 | STOPPER – PUMPER TUBE |
| 5 | 1 | 21A01618-062 | PUMPOUT TUBE 10.5 IN. |
| | 1 | 21A01618-061 | PUMPOUT TUBE 12.5 IN. |
| | 1 | 21A01618-060 | PUMPOUT TUBE 15.0 IN. |
| | 1 | 21A01618-059 | PUMPOUT TUBE 17.5 IN. |
| | 1 | 21A01618-058 | PUMPOUT TUBE 23.0 IN. |
| | 1 | 21A01618-056 | PUMPOUT TUBE 21.5 IN. |
| | 1 | 21A01618-055 | PUMPOUT TUBE 18.5 IN. |

SECTION 7 WATER RUDDER AND STEERING & RETRACT SYSTEM

CONTENTS

| | |
|-----------------------------------|----|
| WATER RUDDER INSTALLATION | 66 |
| RETRACT HANDLE ASSEMBLY | 68 |
| STEERING AND RETRACT SYSTEM | 70 |

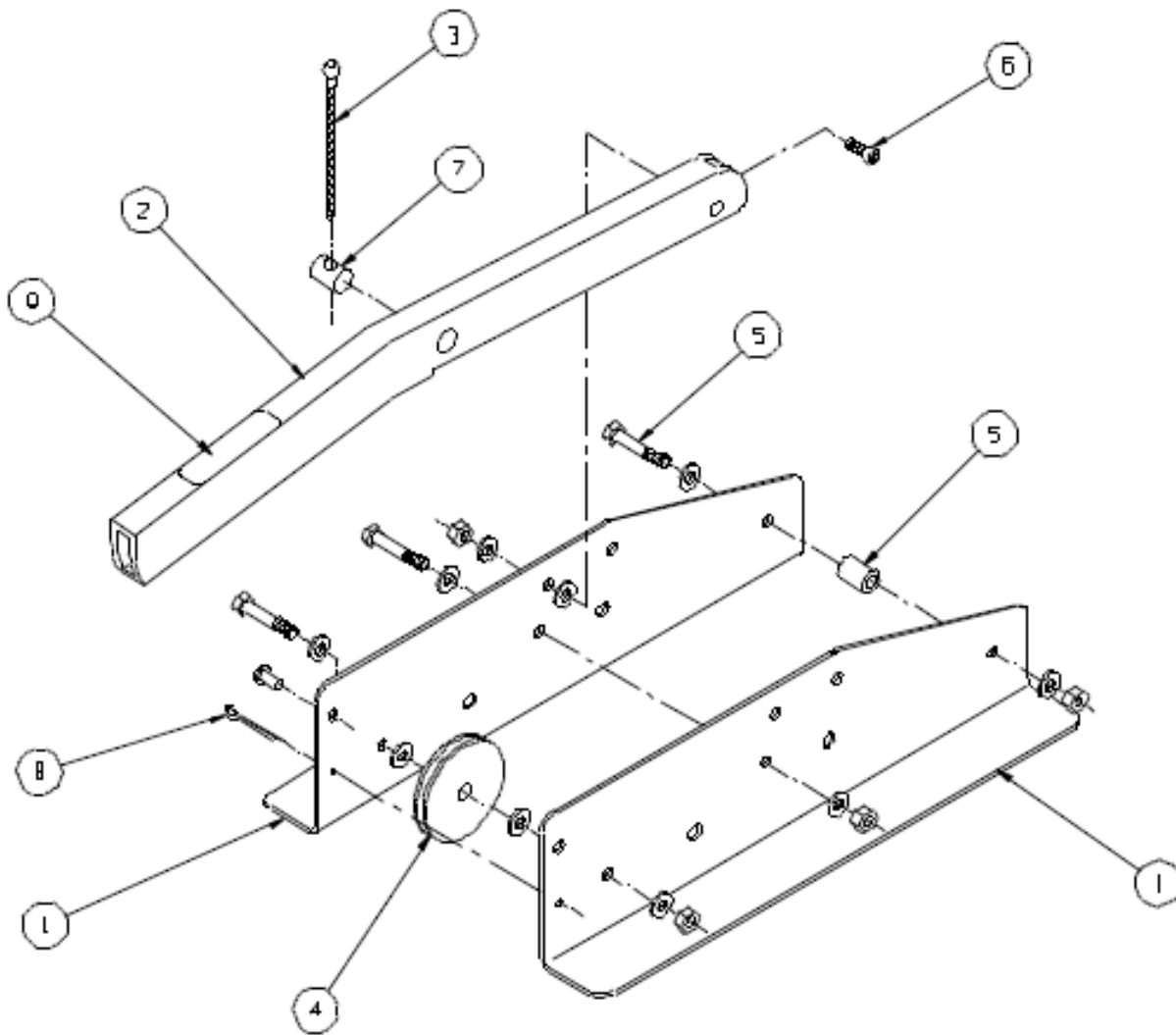
WATER RUDDER INSTALLATION



PARTS MANUAL
2350 FLOATS ON CESSNA 172 & 175 SERIES

| ITEM | QTY | PART NO. | PART DESCRIPTION |
|------|-----|------------------------|---|
| 1 | 1 | 21A08000-123 | ASS'Y., BLADE |
| | 1 | 1002649 | WATER RUDDER BLADE 2350 |
| | 1 | 21A08019-001 | ARM, L. |
| | 1 | 21A08019-002 | ARM, R. |
| 2 | 1 | 1003858 | WATER RUDDER POST WITH BELLCRANK ASSEMBLY |
| | 1 | 1003854 | WATER RUDDER POST ASSEMBLY |
| | 1 | 1003267 | WATER RUDDER POST |
| | 2 | 05DU06 | BUSHING, SELF LUBRICATING, .313 ID X .375 LONG |
| | 1 | 1003853 | BELLCRANK, WATER RUDDER POST ASSEMBLY |
| | 1 | 1003274 | BELLCRANK, WATER RUDDER POST |
| | 2 | 03DU04 | SELF LUBRICATING BUSHINGS |
| | 1 | 21A08648-002 | BUMPER, DOWN STOP |
| | 1 | 1001457 | ROLL PIN |
| | 1 | 21A8602-009 | GUIDE, RETRACT |
| | 1 | 5/16 X 1 1/2 INCHES | PIN ATTACH |
| 3 | 2 | 21A08525-006 | SPRING |
| 4 | 1 | AN5-25A | BOLT, 5/16-24, 2.1875 GRIP, UNDRILLED, STEEL |
| | 3 | NAS1149D0516J | WASHER, 0.328 ID, 0.016 THK, ALUMINUM |
| | 1 | NAS 1149D0563J | WASHER, 0.328 ID, 0.063 THK, ALUMINUM |
| | 1 | MS21083N5 | NUT, LOCKING, LOW HEIGHT, 5/16-24 UNF |
| 5 | 1 | AN5-11A | BOLT, 5/16-24, 0.6875 GRIP, UNDRILLED, STEEL |
| | A/R | NAS1149D0563J | WASHER, 0.328 ID, 0.063 THK, ALUMINUM |
| | 1 | MS21044N5 | NUT, LOCKING, REGULAR HEIGHT, 5/16-24 UNF |
| 6 | 1 | 21A01000-299 | ASS'Y., TOP BEARING |
| | 1 | 21A01019-003 | BRACKET, TOP RUDDER BEARING |
| | 1 | 21A01705-003 | BUSHING, TOP RUDDER PLATE |
| 7 | 1 | 21A08000-157 | ASS'Y., LOWER BEARING |
| | 1 | 21A08318-002 | BRACKET - WATER RUDDER, LOWER PIVOT |
| | 1 | 05DU06 | BUSHING, SELF LUBRICATING, .313 ID X .375 LONG |
| 8 | 2 | 21A08154-009 | STOP, WATER RUDDER, STEERING |
| | 2 | AN4-6A | BOLT, 1/4-28, 0.3125 GRIP, UNDRILLED, STEEL |
| | 2 | NAS1149D0416J | WASHER, 0.265 ID, 0.016 THK, ALUMINUM |
| | 2 | MS21083N4 | NUT, LOCKING, LOW HEIGHT, 1/4-28 UNF |
| | 2 | AN3-6A | BOLT, 10-32, 0.375 GRIP, UNDRILLED, STEEL |
| | 2 | NAS1149D0316J | WASHER, 0.203 ID, 0.016 THK, ALUMINUM |
| | 2 | MS21044N3 | NUT, LOCKING, REGULAR HEIGHT, 10-32 UNF |
| 9 | 1 | AN5-12A | BOLT SIZE 5/16-24, LNGTH +/- 1/64 - 1-11/32, GRIP LNGTH 13/16 |
| | A/R | NAS1149D0563J | WASHER, 0.328 ID, 0.063 THK, ALUMINUM |
| | 1 | MS21044N5 | NUT, LOCKING, REGULAR HEIGHT, 5/16-24 UNF |

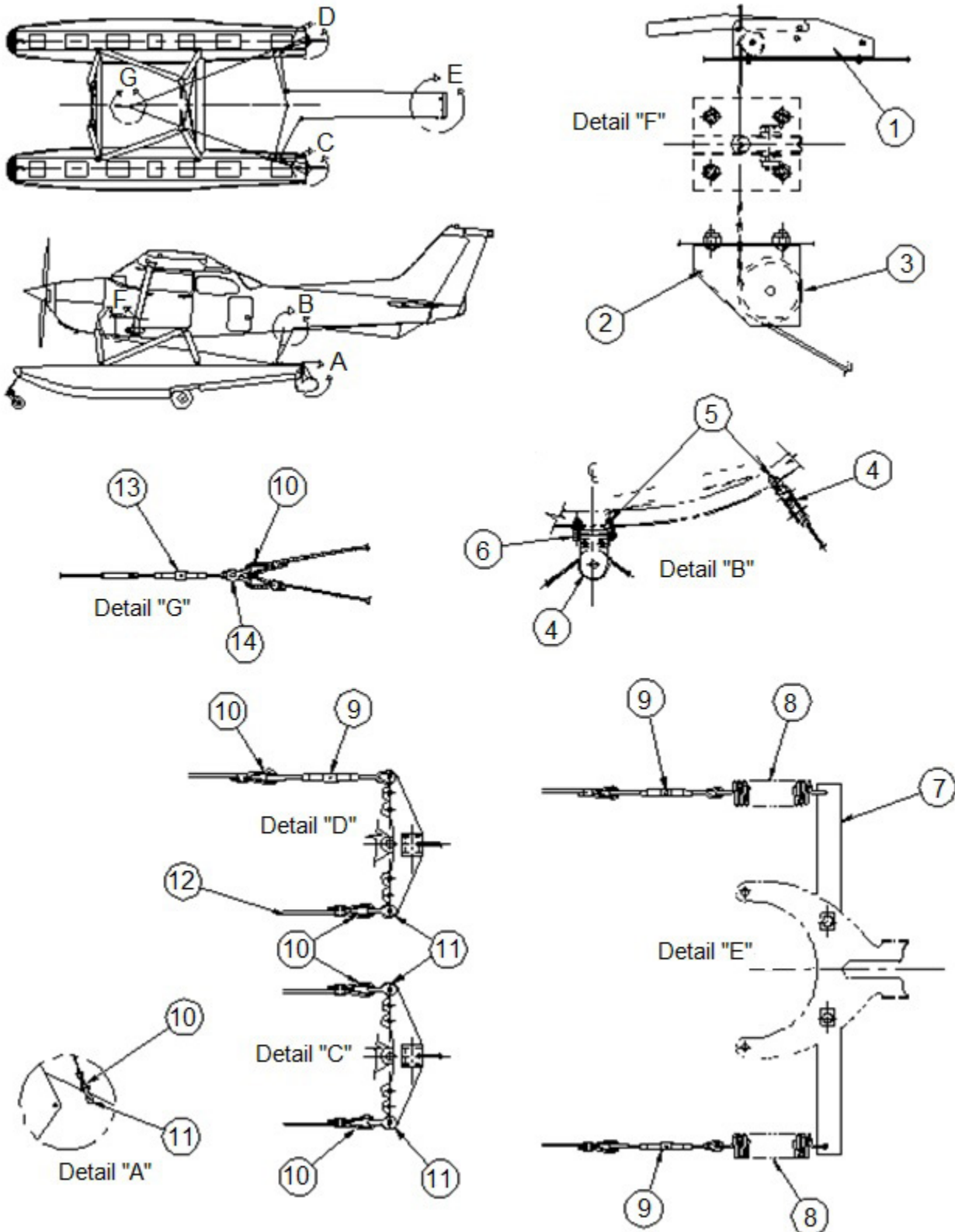
RETRACT HANDLE ASSEMBLY



PARTS MANUAL
2350 FLOATS ON CESSNA 172 &175 SERIES

| ITEM | QTY | PART NO. | PART DESCRIPTION |
|------|-----|---------------|---|
| 1 | 1 | 21A08000-128 | ASS'Y – RETRACT HANDLE |
| | 1 | 3A08003-015 | BRACKET SIDE L. |
| | 1 | 3A08003-016 | BRACKET SIDE R. |
| 2 | 1 | 3A08414-001 | HANDLE |
| 3 | 1 | 21A08000-137 | CABLE ASS'Y |
| 4 | 1 | MS20219-2 | PULLEY |
| | 1 | AN4-10A | BOLT, 1/4-28, 0.5625 GRIP, UNDRILLED, STEEL |
| | 2 | NAS1149F0463P | WASHER, 0.265 ID, 0.063 THK, STEEL |
| | 1 | NAS679A4W | KAYNAR NUT |
| 5 | 2 | AN3-10A | BOLT, 10-32, 0.625 GRIP, UNDRILLED, STEEL |
| | 2 | 3A08613-001 | PLASTIC TUBE |
| | 8 | NAS1149F0316P | WASHER, I.D. 13/64", O.D. 7/16" |
| | 4 | NAS679A3W | KAYNAR NUT |
| 6 | 2 | 3A08702-006 | PIN PIVOT |
| | 2 | NAS1149F0432P | WASHER, 0.265 ID, 0.032 THK, STEEL |
| | 2 | NAS679A3W | KAYNAR NUT |
| 7 | 1 | 4A08506-002 | SWIVEL |
| 8 | 1 | MS24665-285 | PIN – COTTER |
| 9 | 1 | 3A3-1115-2 | PLACARD – DOWN |
| | 1 | 3A3-1115-3 | PLACARD – UP |
| | 1 | 3A3-1115-1 | PLACARD – WATER RUDDER CONTROL |

STEERING AND RETRACT SYSTEM



PARTS MANUAL
2350 FLOATS ON CESSNA 172 & 175 SERIES

| ITEM | QTY | PART NO. | PART DESCRIPTION |
|------|-----|---------------|---|
| 1 | 1 | 21A08000-128 | ASS'Y – RETRACT HANDLE (SEE DETAIL) |
| | 4 | AN526-1032R8 | SCREW - ATTACH |
| | 4 | NAS1149D0363J | WASHER, 0.203 ID, 0.063 THK, ALUMINUM |
| | 4 | MS21044N3 | NUT, LOCKING, REGULAR HEIGHT, 10-32 UNF |
| 2 | 1 | 3A08151-046 | PULLEY BRACKET |
| | 4 | AN526-1032R8 | SCREW – ATTACH |
| | 4 | NAS1149D0316J | WASHER, 0.203 ID, 0.016 THK, ALUMINUM |
| | 4 | MS21044N3 | NUT, LOCKING, REGULAR HEIGHT, 10-32 UNF |
| 3 | 1 | MS20219-2 | PULLEY |
| | 1 | AN4-7A | BOLT, 1/4-28, 0.4375 GRIP, UNDRILLED, STEEL |
| | 2 | NAS1149D0463J | WASHER, 0.265 ID, 0.063 THK, ALUMINUM |
| | 1 | MS21044N4 | NUT |
| 4 | 3 | 21A08000-125 | ASS'Y – PULLEY BRACKET |
| | 1 | 21A08008-150 | BRACKET |
| | 1 | 21A08230-002 | SPACER - BLOCK |
| | 1 | MS20219-2 | PULLEY |
| | 1 | AN4-7A | BOLT, 1/4-28, 0.4375 GRIP, UNDRILLED, STEEL |
| | 1 | NAS1149D0416J | WASHER, 0.265 ID, 0.016 THK, ALUMINUM |
| | 1 | MS21083N4 | NUT, LOCKING, LOW HEIGHT, 1/4-28 UNF |
| | 1 | NAS1149D0463J | WASHER, 0.265 ID, 0.063 THK, ALUMINUM |
| 5 | 6 | AN42B4A | EYE BOLT |
| | 6 | NAS1149D0363J | WASHER, 0.203 ID, 0.063 THK, ALUMINUM |
| | 6 | MS21044N3 | NUT, LOCKING, REGULAR HEIGHT, 10-32 UNF |
| 6 | 3 | AN3-17A | BOLT |
| | 3 | NAS1149D0363J | WASHER, 0.203 ID, 0.063 THK, ALUMINUM |
| | 3 | MS21044N3 | NUT, LOCKING, REGULAR HEIGHT, 10-32 UNF |
| 7 | 1 | 21A08359-201 | EXTENSION – RUDDER HORN |
| | 2 | AN3-6A | BOLT – ATTACH |
| | 2 | NAS1149D0363J | WASHER, 0.203 ID, 0.063 THK, ALUMINUM |
| | 2 | MS21044N3 | NUT, LOCKING, REGULAR HEIGHT, 10-32 UNF |
| 8 | 2 | 21A08525-005 | SPRING |
| 9 | 3 | MS21251B3S | TURNBUCKLE – BARREL |
| | 3 | MS21252-3RS | FORK – TERMINAL |
| | 3 | MS20392-2-1 | PIN ATTACH |
| | 3 | MS24665-132 | PIN – COTTER |
| | 3 | NAS1149D0316J | WASHER, 0.203 ID, 0.016 THK, ALUMINUM |
| 10 | 10 | AN100-3 | THIMBLE – CABLE |
| | 10 | 18-2-G | NICOPRESS – CLAMP |
| 11 | 5 | MS20115-3 | SHACKLE |
| | 5 | MS20392-2-11 | PIN – ATTACH |
| | 5 | MS24665-132 | PIN – COTTER |

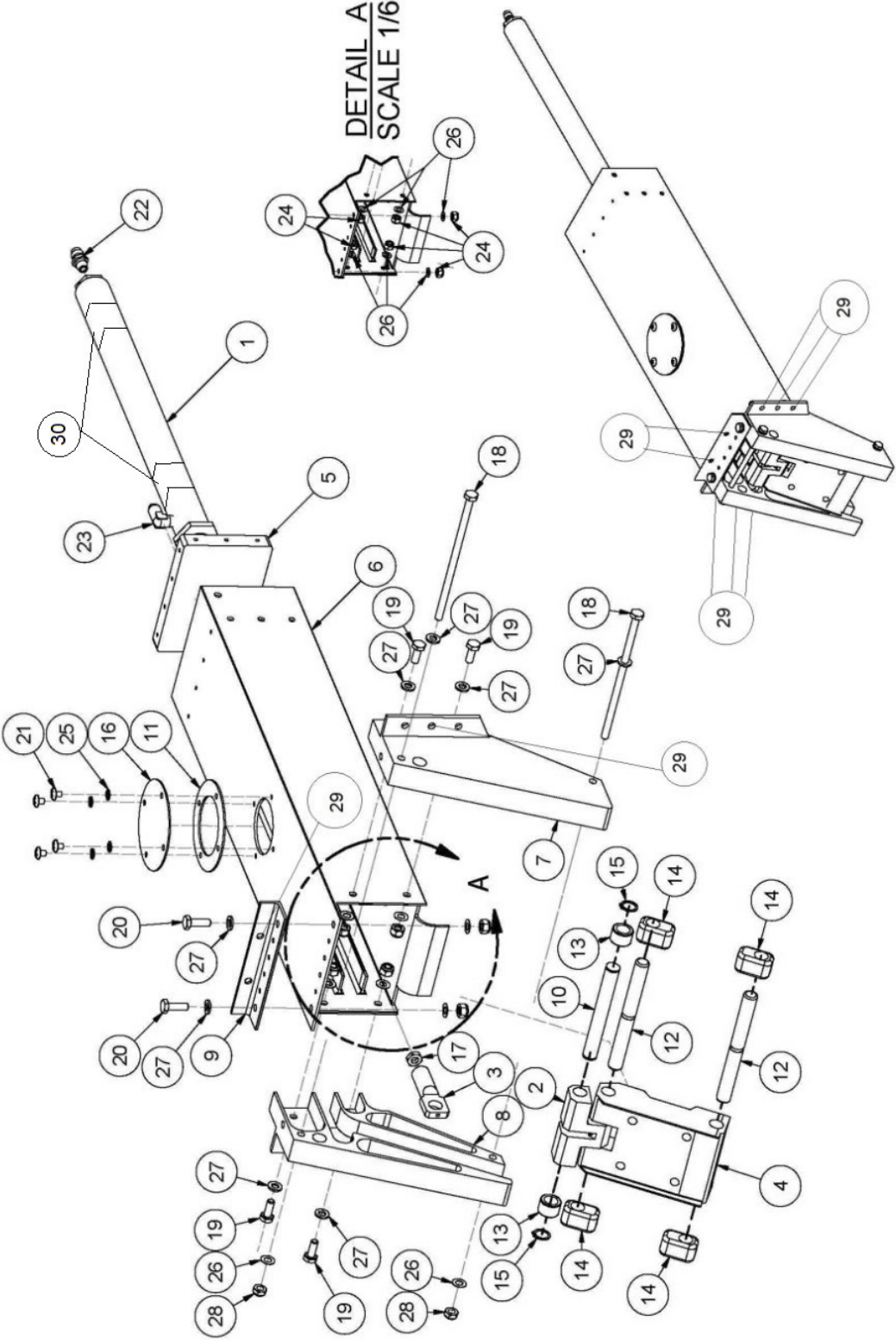
| ITEM | QTY | PART NO. | PART DESCRIPTION |
|-------------|------------|-----------------|-------------------------|
| 12 | A/R | 3/32 7X 7 S.S. | CABLE (REQUEST LENGTH) |
| 13 | 1 | MS21251B3S | BARREL |
| | 1 | MS21252-3RS | FORK |
| 14 | 2 | MS20115-3 | SHACKLE |
| | 1 | MS20392-2-19 | PIN – CLEVIS |

SECTION 8 LANDING GEAR

CONTENTS

| | |
|---|----|
| NOSE GEAR RETRACTION ASSEMBLY | 74 |
| NOSE GEAR LOWER ASSEMBLY | 76 |
| NOSE WHEEL ASSEMBLY (GROVE ONLY) | 78 |
| NOSE WHEEL ASSEMBLY (PARKER ONLY) | 80 |
| MAIN GEAR RETRACTION INSTALLATION..... | 82 |
| MAIN GEAR WHEEL (GROVE / WIPAIRE ASSEMBLY)..... | 85 |
| MAIN GEAR WHEEL (CLEVELAND / PARKER ASSEMBLY) | 87 |

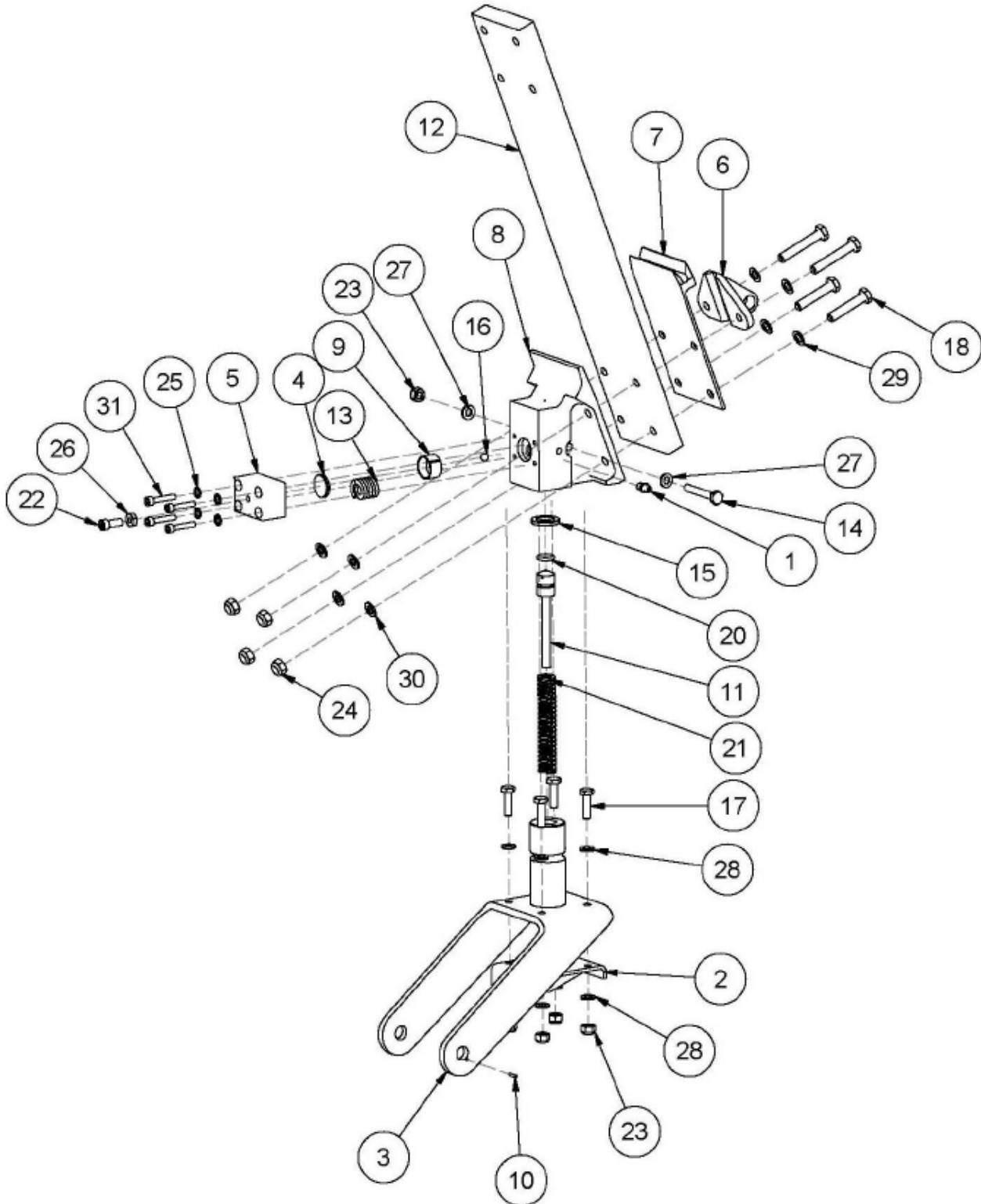
NOSE GEAR RETRACTION ASSEMBLY



PARTS MANUAL
2350 FLOATS ON CESSNA 172 &175 SERIES

| ITEM | QTY | PART NO. | PART DESCRIPTION |
|------|-----|---------------|---------------------------------------|
| 1 | 1 | 1002571 | CYLINDER, NOSE GEAR, 2350 |
| 2 | 1 | 21A07032-005 | LINK - TROLLEY, NOSE GEAR |
| 3 | 1 | 21A07094-002 | END - ROD, CYLINDER, NOSE GEAR |
| 4 | 1 | 21A07187-009 | TROLLEY - NOSE GEAR |
| 5 | 1 | 21A07237-002 | END CAP, NOSE BOX |
| 6 | 1 | 21A07323-001 | BOX, NOSE GEAR |
| 7 | 1 | 21A07349-003 | END, NOSE GEAR TRACK LEFT |
| 8 | 1 | 21A07349-004 | END, NOSE GEAR TRACK, RIGHT |
| 9 | 1 | 21A07359-194 | EXTRUSION, ANGLE |
| 10 | 1 | 21A07509-007 | AXLE, TROLLEY LINK |
| 11 | 1 | 30A07567-011 | GASKET, COVER, NOSE BOX |
| 12 | 2 | 34A07509-008 | AXLE, TROLLEY |
| 13 | 2 | 3A07530-001 | BEARING - TROLLEY, NOSE GEAR |
| 14 | 4 | 3A07604-001 | BLOCK, SLIDE, TROLLEY, NOSE GEAR |
| 15 | 2 | 5100-46-H | SNAP RING |
| 16 | 1 | 8A01008-080 | COVER, BULKHEAD HYD CYL. HOLE |
| 17 | 1 | AN316-5R | NUT |
| 18 | 2 | AN4-53A | BOLT |
| 19 | 4 | AN4-5A | BOLT |
| 20 | 2 | AN4-6A | BOLT |
| 21 | 4 | AN526-1032R4 | SCREW, MACHINE, TRUSS HEAD |
| 22 | 1 | AN816-4D | NIPPLE, FLARED TUBE AND PIPE THREAD |
| 23 | 1 | MS20822-4D | ELBOW |
| 24 | 6 | MS21044N4 | NUT |
| 25 | 4 | MS35333-39 | STAR WASHER |
| 26 | 8 | NAS1149D0416J | WASHER, 0.265 ID, 0.016 THK, ALUMINUM |
| 27 | 8 | NAS1149D0463J | WASHER, 0.265 ID, 0.063 THK, ALUMINUM |
| 28 | 2 | NAS679-A4W | KAYNAR NUT |
| 29 | 8 | AN4-5A | BOLT |
| | 16 | NAS1149D0416J | WASHER, 0.265 ID, 0.016 THK, ALUMINUM |
| | 8 | MS21044N4 | NUT |
| 30 | 2 | 3A07005-178 | CLIP, SWITCH, NOSE & MAIN |

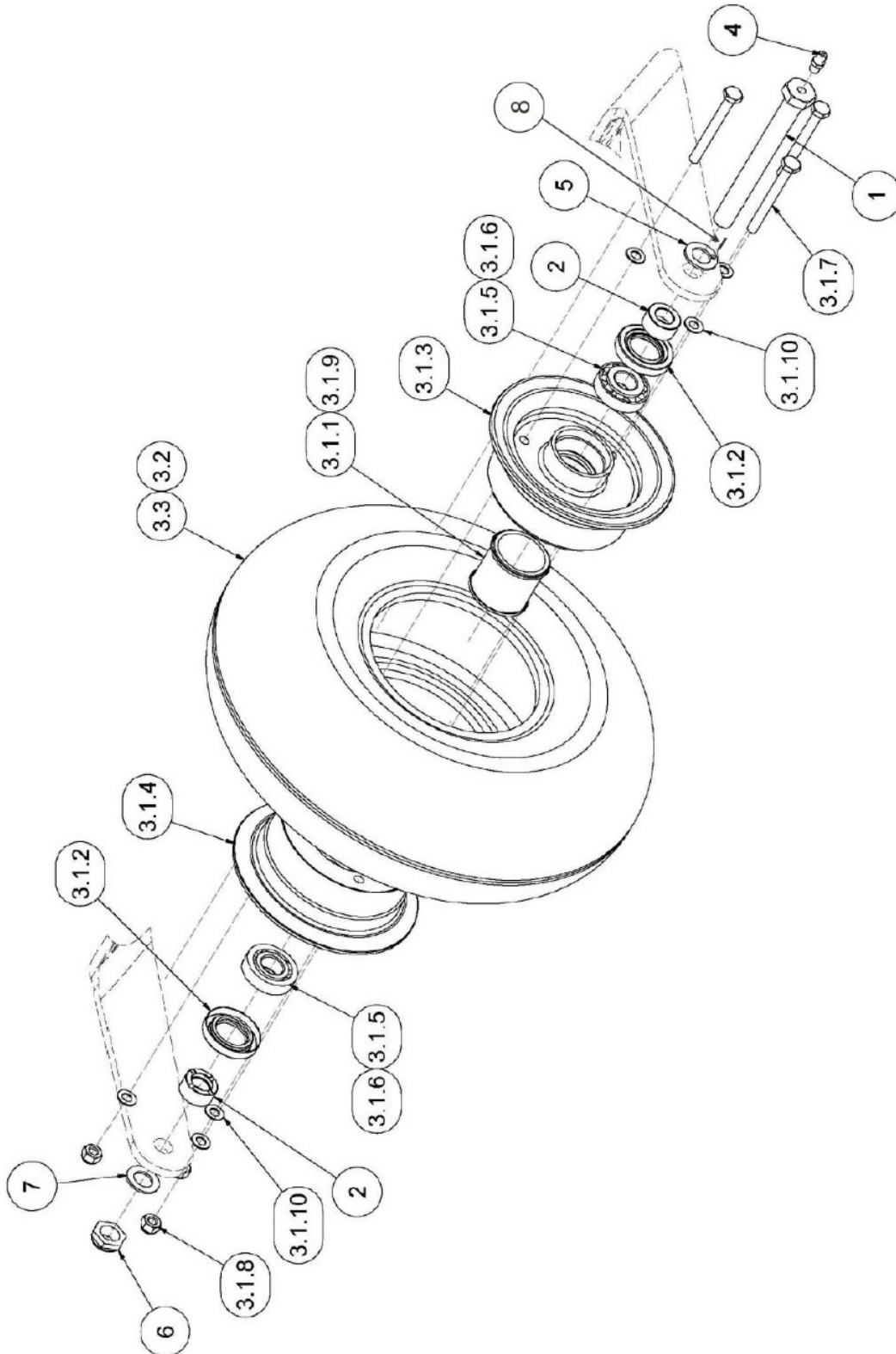
NOSE GEAR LOWER ASSEMBLY



PARTS MANUAL
2350 FLOATS ON CESSNA 172 &175 SERIES

| ITEM | QTY | PART NO. | PART DESCRIPTION |
|------|-----|---------------|---|
| 1 | 1 | 1095K41 | COMMON GREASEZERK |
| 2 | 1 | 21A06000-020 | WELDMENT, PIVOT SHAFT, FORK, NOSE GEAR |
| 3 | 1 | 21A06020-001 | FORK, NOSE GEAR |
| 4 | 1 | 21A06160-053 | PRESSURE PLATE |
| 5 | 1 | 21A06194-005 | BLOCK - SPRING |
| 6 | 1 | 21A06213-006 | TOW HOOK NOSE GEAR |
| 7 | 1 | 21A06237-001 | BEARING PLATE, LOWER, NOSE GEAR |
| 8 | 1 | 21A06318-005 | BLOCK - PIVOT, NOSE GEAR |
| 9 | 1 | 21A06475-006 | FRICITION CUP |
| 10 | 1 | 21A06476-003 | PIN, ANTIROTATION |
| 11 | 1 | 21A06605-002 | PLUNGER- NOSE WHEEL |
| 12 | 1 | 21A06653-001 | SPRING NOSE GEAR |
| 13 | 1 | 21A06705-005 | PRESSURE SPRING |
| 14 | 1 | 30A06702-016 | BOLT - MODIFIED, PIVOT BLOCK |
| 15 | 1 | 3A06602-001 | THRUST WASHER |
| 16 | 1 | 9528K15 | 1/4" CHROME BALL BEARING |
| 17 | 4 | AN4-7A | BOLT, 1/4-28, 0.4375 GRIP, UNDRILLED, STEEL |
| 18 | 2 | AN5-14A | BOLT |
| 19 | 2 | AN5-16A | BOLT |
| 20 | 1 | AN6227-9 | O-RING |
| 21 | 1 | M62-350 | SPRING |
| 22 | 1 | MS16997-60 | SOCKET HEAD CAP SCREW |
| 23 | 5 | MS21044N4 | NUT |
| 24 | 4 | MS21044N5 | NUT, LOCKING, REGULAR HEIGHT, 5/16-24 UNF |
| 25 | 4 | MS35333-39 | STAR WASHER |
| 26 | 1 | MS35649-2252 | NUT |
| 27 | 2 | NAS1149D0463J | WASHER, 0.265 ID, 0.063 THK, ALUMINUM |
| 28 | 8 | NAS1149F0463P | WASHER, 0.265 ID, 0.063 THK, STEEL |
| 29 | 4 | NAS1149F0532P | WASHER, 0.328 ID, 0.032 THK, STEEL |
| 30 | 4 | NAS1149F0563P | WASHER |
| 31 | 4 | NAS1352-316P | SOCKET HEAD CAP SCREW |

NOSE WHEEL ASSEMBLY (GROVE ONLY)

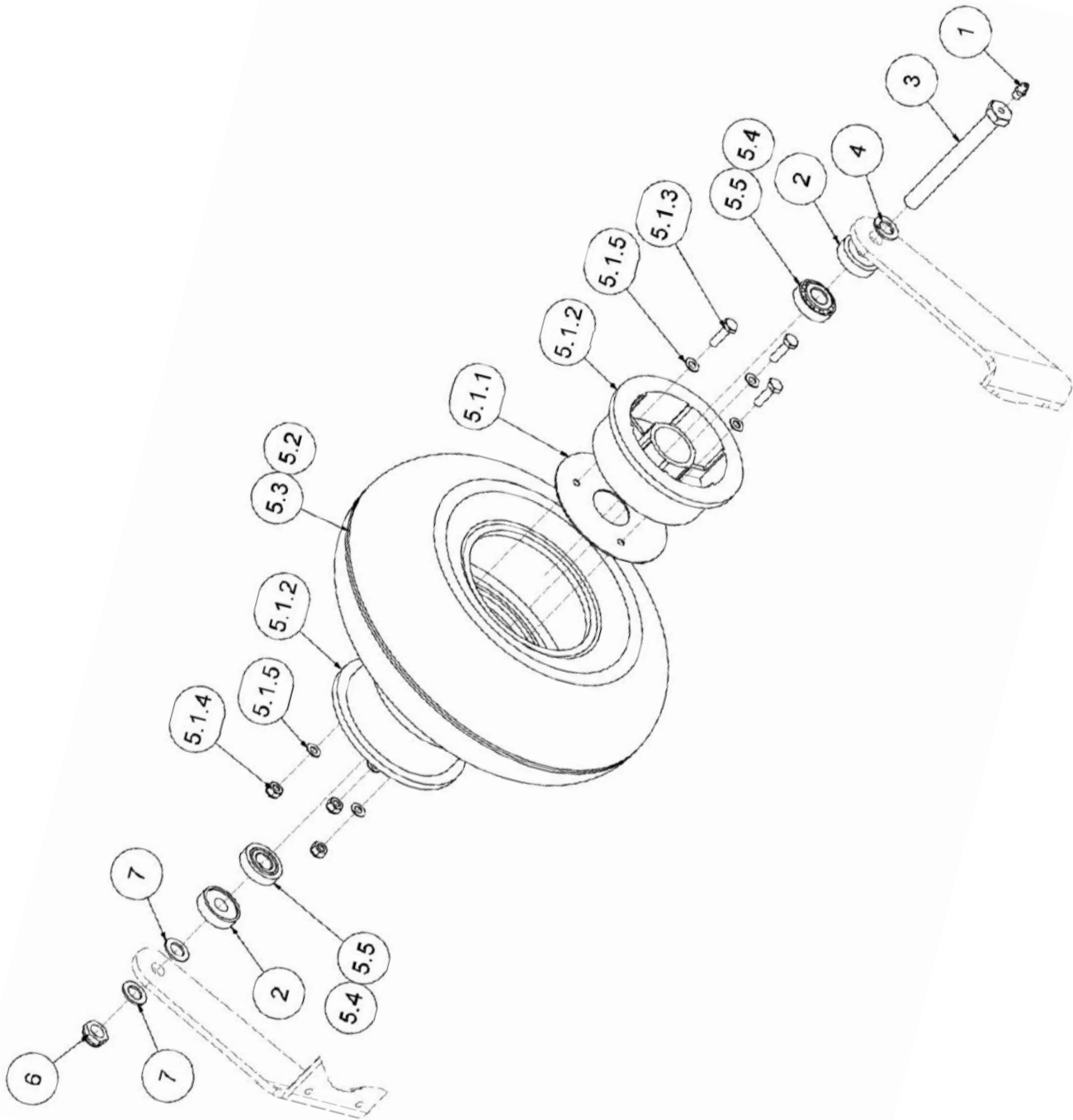


PARTS MANUAL
2350 FLOATS ON CESSNA 172 &175 SERIES

| ITEM | QTY | PART NO. | PART DESCRIPTION |
|--------|-----|---------------|--|
| 1 | 1 | 1005927 | BOLT, AXLE, NOSE GEAR |
| 2 | 2 | 1005929 | SPACER |
| 3 | 1 | 1005931 | ASSEMBLY, NOSE WHEEL |
| 3.1 | 1 | 49-12AF-001 | ASSEMBLY, WHEEL, GROVE |
| 3.1.1 | 1 | 010-019 | GREASE RETAINER |
| 3.1.2 | 2 | 471570 | SEAL, TIMKEN (EQUIVALENT TO GROVE OEM P/N 010-026) |
| 3.1.3 | 1 | 015-020A | WHEEL HALF INNER |
| 3.1.4 | 1 | 016-020AF | WHEEL HALF OUTER |
| 3.1.5 | 2 | A4050 | BEARING CORE |
| 3.1.6 | 2 | A4138 | BEARING CONE |
| 3.1.7 | 3 | AN4-23A | BOLT |
| 3.1.8 | 3 | MS21044N-4 | NUT |
| 3.1.9 | 2 | MS28775-029 | O-RING |
| 3.1.10 | 6 | NAS1149F0416 | WASHER |
| 3.2 | 1 | XA1AA* | INNER TUBE, 2.80 X 4 |
| 3.3 | 1 | AD1A2* | TIRE, 2.50 / 2.80 - 4 |
| 4 | 1 | 1095K41 | COMMON GREASE ZERK |
| 5 | 1 | 3A06702-003 | MODIFIED WASHER |
| 6 | 1 | MS21083N8 | NUT |
| 7 | 1 | NAS1149D0863J | WASHER |
| 8 | 1 | 21A06476-003 | PIN ANTI ROTATE AXEL |

* Any alternate tire (tube type) which is TSO-approved, matches the listed tire's dimensions, and meets its speed/load/ply ratings may be used. Equivalent tubes may also be used.

NOSE WHEEL ASSEMBLY (PARKER ONLY)

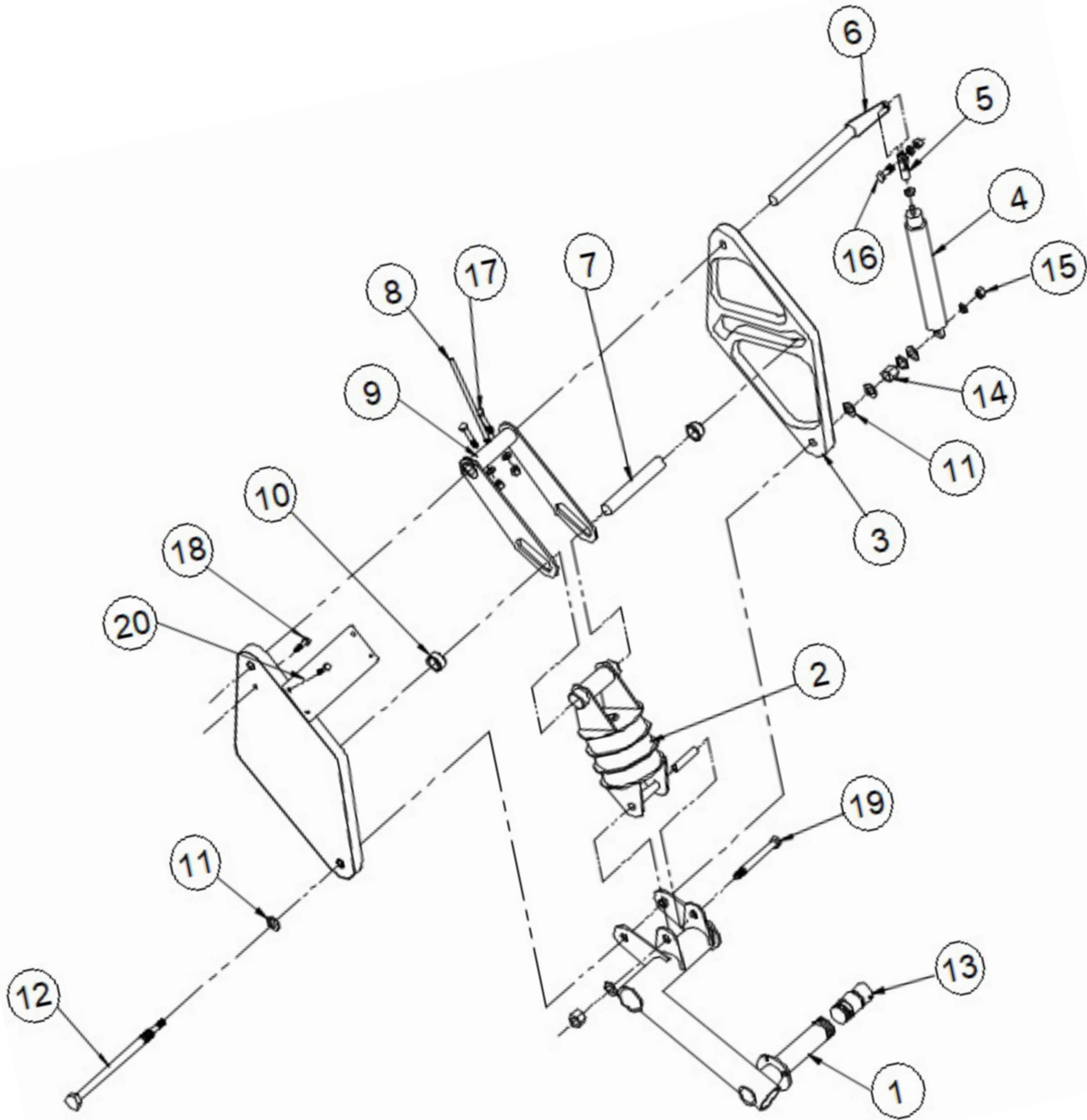


PARTS MANUAL
2350 FLOATS ON CESSNA 172 &175 SERIES

| ITEM | QTY | PART NO. | PART DESCRIPTION |
|-------|-----|---------------|---|
| 1 | 1 | 1095K41 | COMMON GREASEZERK |
| 2 | 2 | 3A06259-001 | SPACER |
| 3 | 1 | 3A06702-002 | MODIFIED BOLT |
| 4 | 1 | 3A06702-003 | MODIFIED WASHER |
| 5 | 1 | 21A06000-021 | NOSE WHEEL ASSEMBLY |
| 5.1 | 1 | D-30380 | PARKER WHEEL ASSEMBLY |
| 5.1.1 | 1 | 068-30373 | GASKET |
| 5.1.2 | 2 | 161-30382 | WHEEL HALF |
| 5.1.3 | 3 | AN4-7A | BOLT, 1/4-28, 0.4375 GRIP, UNDRILLED, STEEL |
| 5.1.4 | 3 | MS21044N4 | NUT |
| 5.1.5 | 6 | NAS1149F0432P | WASHER |
| 5.2 | 1 | XA1AA* | INNER TUBE, 2.80 X 4 |
| 5.3 | 1 | AD1A2* | TIRE, 2.50 / 2.80 - 4 |
| 5.4 | 2 | A4050 | BEARING CORE |
| 5.5 | 2 | A4138 | BEARING CONE |
| 6 | 1 | MS21083N8 | NUT |
| 7 | 2 | NAS1149D0863J | WASHER |

* Any alternate tire (tube type) which is TSO-approved, matches the listed tire's dimensions, and meets its speed/load/ply ratings may be used. Equivalent tubes may also be used.

MAIN GEAR RETRACTION INSTALLATION

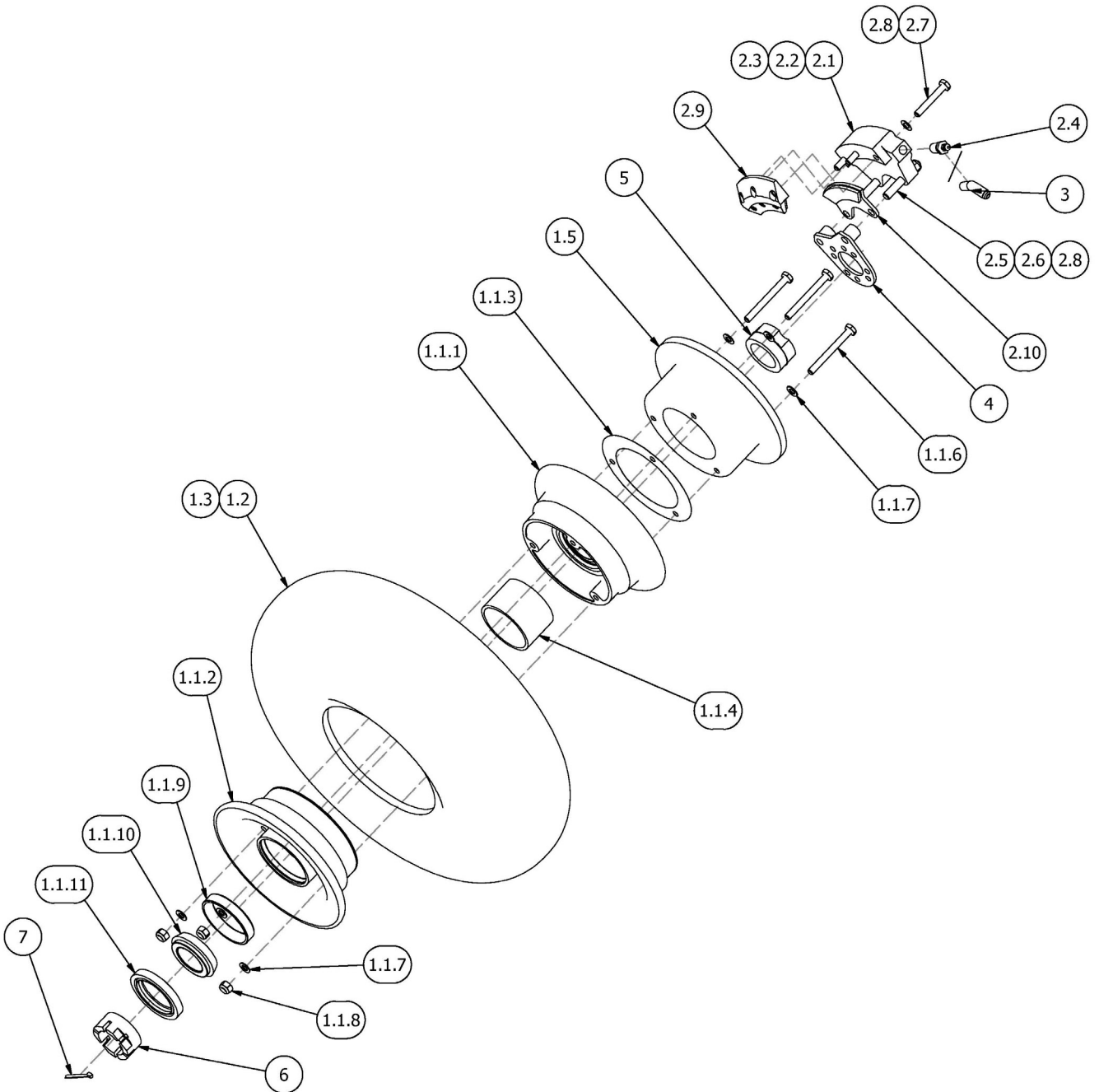


PARTS MANUAL
2350 FLOATS ON CESSNA 172 & 175 SERIES

| ITEM | QTY | PART NO. | PART DESCRIPTION |
|------|-----|---------------|---|
| 1 | 1 | 21A04000-077 | ASS'Y – DRAG LINK L. |
| | 1 | 21A04000-076 | ASS'Y – DRAG LINK R. |
| | 2 | 08FDU12 | BEARING |
| 2 | 1 | 23A04000-113 | ASS'Y SHOCK STRUT |
| | 1 | 21A04000-075 | ASS'Y – LOWER END |
| | 1 | 21A04585-002 | SLEEVE |
| | 2 | 1095K41 | ZERK – GREASE |
| | 1 | 21A04000-074 | ASS'Y – UPPER END |
| | 1 | 1002088 | DUAL BUSHING ASSEMBLY |
| | 1 | 1001101 | BUSHING ASSEMBLY |
| | 1 | 21A04503-004 | RETAINING PIN |
| | 1 | MS24665-151 | COTTER PIN |
| | 2 | NAS1149F0416J | WASHER |
| | 2 | NAS1149F0463J | WASHER |
| 3 | 1 | 21A05114-005 | TRACK – MAIN GEAR L. |
| | 1 | 21A05114-006 | TRACK – MAIN GEAR R. |
| | 1 | 10DU12 | BEARING - UPPER |
| | 1 | 08DU12 | BEARING – LOWER |
| 4 | 1 | 1002574 | CYLINDER |
| | 2 | MS20822-4D | FITTING - ELBOW |
| 5 | 1 | 21A05705-002 | ROD END |
| | 1 | AN316-5 | JAMB NUT |
| | 1 | 21A05260-005 | SPACER |
| | 1 | MS20002C6 | CHAMFERED WASHER (CHAMFERED EDGE GOES AGAINST CYLINDER) |
| 6 | 1 | 21A05000-017 | ARM – RETRACT L. |
| | 1 | 21A05000-016 | ARM – RETRACT R. |
| 7 | 1 | 21A04454-006 | AXLE – SHOCK STRUT |
| 8 | 1 | 21A05000-022 | INDICTATOR ASS'Y |
| 9 | 1 | 21A05000-018 | GEAR ACTUATOR |
| 10 | 2 | 21A05520-003 | ROLLER – TRACK |
| 11 | 2 | 93783A033 | WASHER – SEALING |
| 12 | 1 | 21A05000-019 | BOLT – ASSEMBLY |
| 13 | 1 | 21A04263-007 | RETAINER - GREASE |
| | 2 | MS28775-210 | “O” RING |
| | 1 | 1095K41 | ZERK – GREASE |
| 14 | 1 | MS21044N8 | NUT |
| | 2 | NAS1149F0863P | WASHER |
| 15 | 1 | MS21083N5 | NUT, LOCKING, LOW HEIGHT, 5/16-24 UNF |
| | A/R | NAS1149F0563P | WASHER |
| 16 | 1 | AN5-11A | BOLT, 5/16-24, 0.6875 GRIP, UNDRILLED, STEEL |

| ITEM | QTY | PART NO. | PART DESCRIPTION |
|------|-----|---------------|---|
| | 2 | NAS1149F0563P | WASHER |
| | 1 | MS21044N5 | NUT, LOCKING, REGULAR HEIGHT, 5/16-24 UNF |
| 17 | 2 | AN4-13A | BOLT |
| | 4 | NAS1149D0416J | WASHER, 0.265 ID, 0.016 THK, ALUMINUM |
| | 2 | MS21044N4 | NUT |
| 18 | 8 | AN3-6A | BOLT – TRACK ATTACH |
| | 8 | NAS1149D0316J | WASHER, 0.203 ID, 0.016 THK, ALUMINUM |
| | 8 | NAS1149D0363J | WASHER, 0.203 ID, 0.063 THK, ALUMINUM |
| | 8 | MS21044N3 | NUT, LOCKING, REGULAR HEIGHT, 10-32 UNF |
| 19 | 1 | AN8-33A | BOLT |
| | 1 | NAS1149F0832P | WASHER |
| | 1 | NAS1149F0863P | WASHER |
| | 1 | MS21044N8 | NUT |
| 20 | 1 | 21A05003-079 | PLATE - SEPARATING |
| | 4 | AN3-5A | BOLT |
| | 8 | NAS1149D0316J | WASHER, 0.203 ID, 0.016 THK, ALUMINUM |
| | 4 | MS21044N3 | NUT, LOCKING, REGULAR HEIGHT, 10-32 UNF |

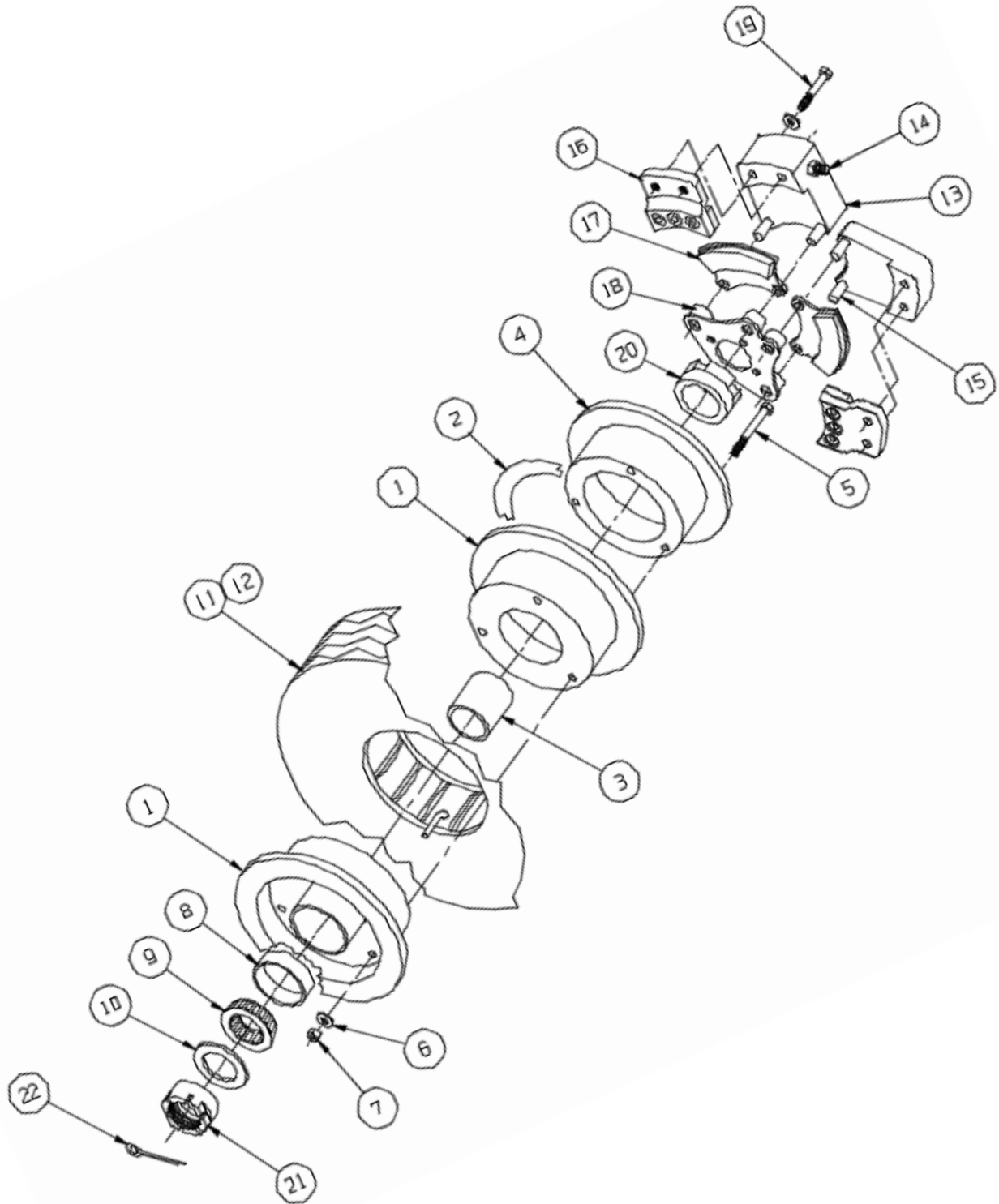
MAIN GEAR WHEEL (GROVE / WIPAIRE ASSEMBLY)



| ITEM | QTY | PART NO. | PART DESCRIPTION |
|--------|-----|-----------------|--|
| 1 | 1 | 1002144 | ASSY, MAIN WHEEL, GROVE, 2350 (INCLUDES TIRE AND TUBE) |
| 1.1 | 1 | 1002145 | ASSY, RIM AND BEARINGS, GROVE, 2350 |
| 1.1.1 | 1 | 015-002 | WHEEL HALF, INNER (REF) |
| 1.1.2 | 1 | 016-002 | WHEEL HALF, OUTER (REF) |
| 1.1.3 | 1 | 3A04620-001 | GASKET - TEFLON |
| 1.1.4 | 1 | 010-009 | GREASE RETAINER |
| 1.1.5 | 1 | 018-002 | BRAKE DISC (NOMINAL THICKNESS 0.313", MINIMUM 0.288") |
| 1.1.6 | 3 | AN4-23A | BOLT, 1/4-28, 1.9375 GRIP, UNDRILLED, STEEL |
| 1.1.7 | 6 | NAS1149F0432P | WASHER, 0.265 ID, 0.032 THK, STEEL |
| 1.1.8 | 3 | MS21044N4 | NUT, LOCKING, REGULAR HEIGHT, 1/4-28 UNF |
| 1.1.9 | 2 | 08231 | BEARING CUP, NON-CHROME |
| | 2 | 08231CP | BEARING CUP (CHROME, REF) |
| 1.1.10 | 2 | 08125 | BEARING CONE, NON-CHROME |
| | 2 | 08125CP | BEARING CONE (CHROME, REF) |
| 1.1.11 | 2 | 473237 | SEAL - INSIDE/OUTSIDE *DRILL #50 HOLE IN SIDE OF SEAL TO BE USED IN OUTBOARD SIDE OF WHEEL |
| 1.2 | 1 | AA1D4* | TIRE -TYPE III 5.00 X 5, 6 PLY |
| 1.3 | 1 | XA1AC* | TUBE 5.00 X 5 |
| 2 | 1 | 32-3 | BRAKE ASSEMBLY |
| 2.1 | 1 | 023-007 | CALIPER BODY (REF) |
| 2.2 | 2 | 017-003 | PISTON (REF) |
| 2.3 | 2 | MS28775-217 | O-RING, HYDRAULIC |
| 2.4 | 1 | 220-0063 | BLEEDER ASSEMBLY |
| 2.5 | 2 | 013-001 | TORQUE PIN (REF) |
| 2.6 | 2 | MS21044N4 | NUT, LOCKING, REGULAR HEIGHT, 1/4-28 UNF |
| 2.7 | 3 | AN4H-15A | BOLT |
| 2.8 | 5 | NAS1149F0416P | WASHER, 0.265 ID, 0.016 THK, STEEL |
| 2.9 | 1 | 10-3 | ASS'Y - BACK PLATE (REF) |
| 2.9.1 | 1 | RA66-111 | LINING (PAD) |
| 2.9.2 | 3 | 066-001 | RIVET |
| | 3 | 105-00200 (ALT) | RIVET (ALTERNATE PN) |
| 2.10 | 1 | 11-2 | ASS'Y - PRESSURE PLATE |
| 2.10.1 | 1 | RA66-111 | LINING (PAD) |
| 2.10.2 | 3 | 066-001 | RIVET |
| | 3 | 105-00200 (ALT) | RIVET (ALTERNATE PN) |
| 3 | 1 | MS20823-3D | FITTING 45° BRAKE LINE |
| 4 | 1 | 020-001 | BRAKE TORQUE PLATE |
| 5 | 1 | 3A04093-001 | SPACER |
| 6 | 1 | 3A04268-003 | NUT - AXLE |
| 7 | 1 | MS24665-351 | COTTER PIN |

* Any alternate tire (tube type) which is TSO-approved, matches the listed tire's dimensions, and meets its speed/load/ply ratings may be used. Equivalent tubes may also be used.

MAIN GEAR WHEEL (CLEVELAND / PARKER ASSEMBLY)



| ITEM | QTY | PART NO. | PART DESCRIPTION |
|------|-----|---------------|------------------------------------|
| 1 | 1 | 3A04000-002 | ASS'Y – WHEEL (W/ TUBE & TIRE) |
| | 1 | 3A04000-060 | ASS'Y |
| 2 | 1 | 3A04620-001 | GASKET - TEFLON |
| 3 | 1 | 3A04616-001 | GREASE RETAINER |
| 4 | 1 | 164-01700 | BRAKE DISC |
| 5 | 3 | AN4-22A | BOLT |
| 6 | 3 | NAS1149F0432P | WASHER |
| 7 | 3 | MS21044N4 | NUT |
| 8 | 2 | 8231 | BEARING CUP |
| | 2 | 8231CP | BEARING CUP, CHROME (OPT.) |
| 9 | 2 | 8125 | BEARING CONE |
| | 2 | 8125CP | BEARING CONE, CHROME (OPT.) |
| 10 | 2 | 473237 | SEAL - INSIDE/OUTSIDE |
| 11 | 1 | AA1D4* | TIRE –TYPE III |
| | 1 | XA1AC* | TUBE |
| 12 | 2 | 3A04000-052 | ASS'Y – BRAKE AND TORQUE PLATE |
| 13 | 2 | 030-00903 | ASS'Y – CALIPER |
| | 2 | 062-00300 | PISTON |
| | 2 | AN6227-23 | “O” RING |
| | 2 | MS20823-3D | FITTING - 45 DEGREES (BRAKE LINE) |
| 14 | 2 | 081-30619 | SEAT – BLEEDER |
| | 2 | 79-3 | SCREW – BLEEDER |
| | 2 | 183-1 | CAP – BLEEDER |
| 15 | 4 | 069-00400 | ANCHOR BOLT |
| | 4 | NAS1149F0463P | WASHER, 0.265 ID, 0.063 THK, STEEL |
| | 4 | MS21044N4 | NUT |
| 16 | 2 | 074-02700 | ASS'Y – BACK PLATE |
| | 2 | 064-00500 | PLATE – BACK |
| | 2 | 066-10600 | LINING |
| | 6 | 105-2 | RIVET |
| 17 | 2 | 073-04800 | ASS'Y – PRESSURE PLATE |
| | 2 | 063-00500 | PLATE - PRESSURE |
| | 2 | 066-10600 | LINING |
| | 6 | 105-2 | RIVET |
| 18 | 1 | 23A04000-109 | BRAKE TORQUE PLATE - LEFT |
| | 1 | 23A04000-110 | BRAKE TORQUE PLATE – RIGHT |
| 19 | 4 | AN4H15A | BOLT |
| | 4 | NAS1149F0432P | WASHER |
| 20 | 1 | 3A04093-001 | SPACER |
| 21 | 1 | 3A04268-003 | NUT – AXLE |
| 22 | 1 | MS24665-351 | COTTER PIN |

* Any alternate tire (tube type) which is TSO-approved, matches the listed tire's dimensions, and meets its speed/load/ply ratings may be used. Equivalent tubes may also be used.

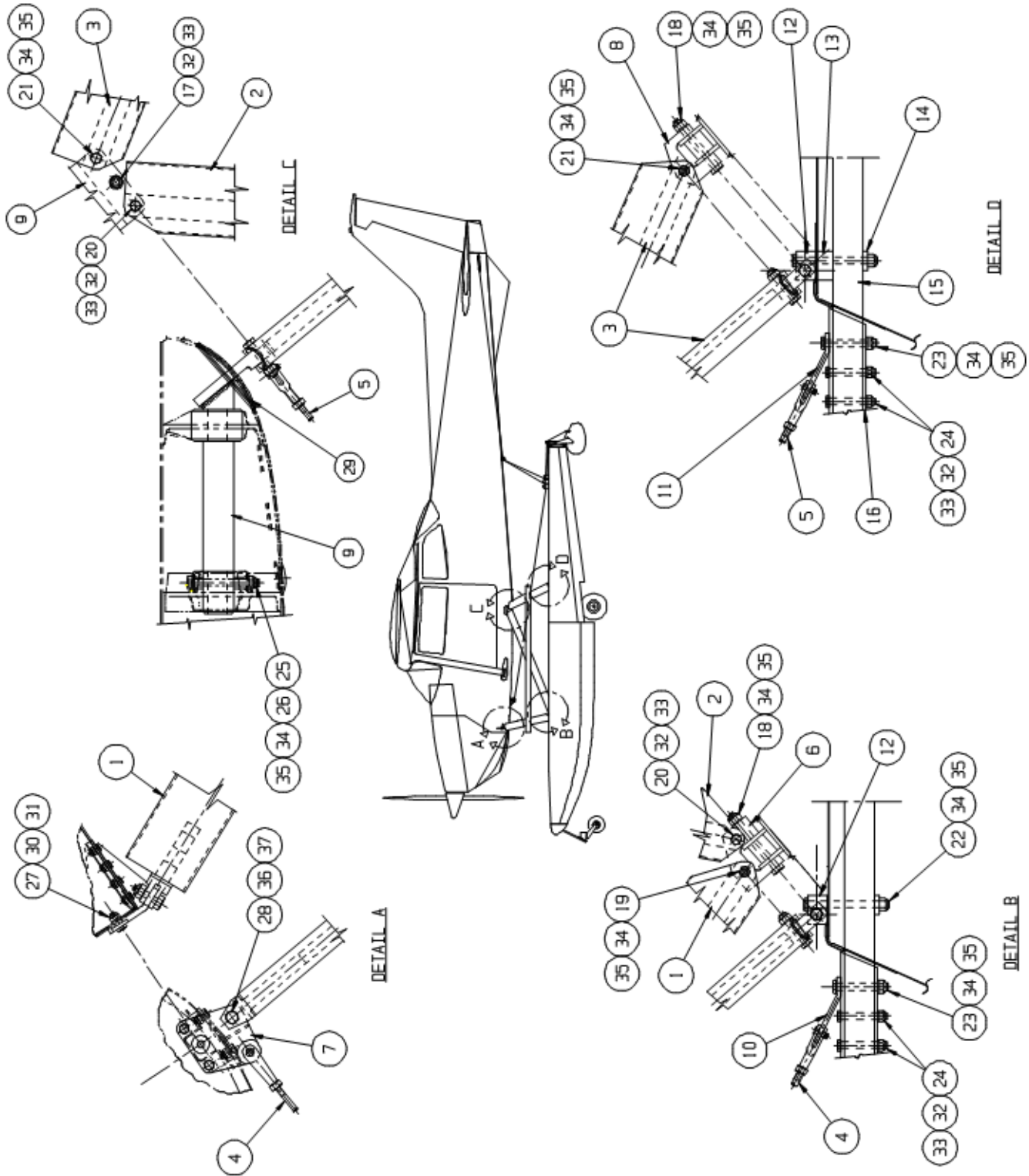
SECTION 9

STRUTS, WIRES, STEPS, & SPREADER BARS

CONTENTS

| | |
|--|----|
| STRUTS, WIRES, STEPS & SPREADER BARS | 90 |
| SPREADER BAR PANEL FWD ASSEMBLY AMPHIBIAN ONLY | 93 |
| SPREADER BAR PANEL FWD ASSEMBLY SEAPLANE ONLY | 94 |
| SPREADER BAR PANEL AFT ASSEMBLY..... | 95 |
| MOUNTING SPREADER BAR TUBE..... | 96 |
| VENTRAL FIN & FUSELAGE STEPS INSTALLATION | 97 |

STRUTS, WIRES, STEPS & SPREADER BARS



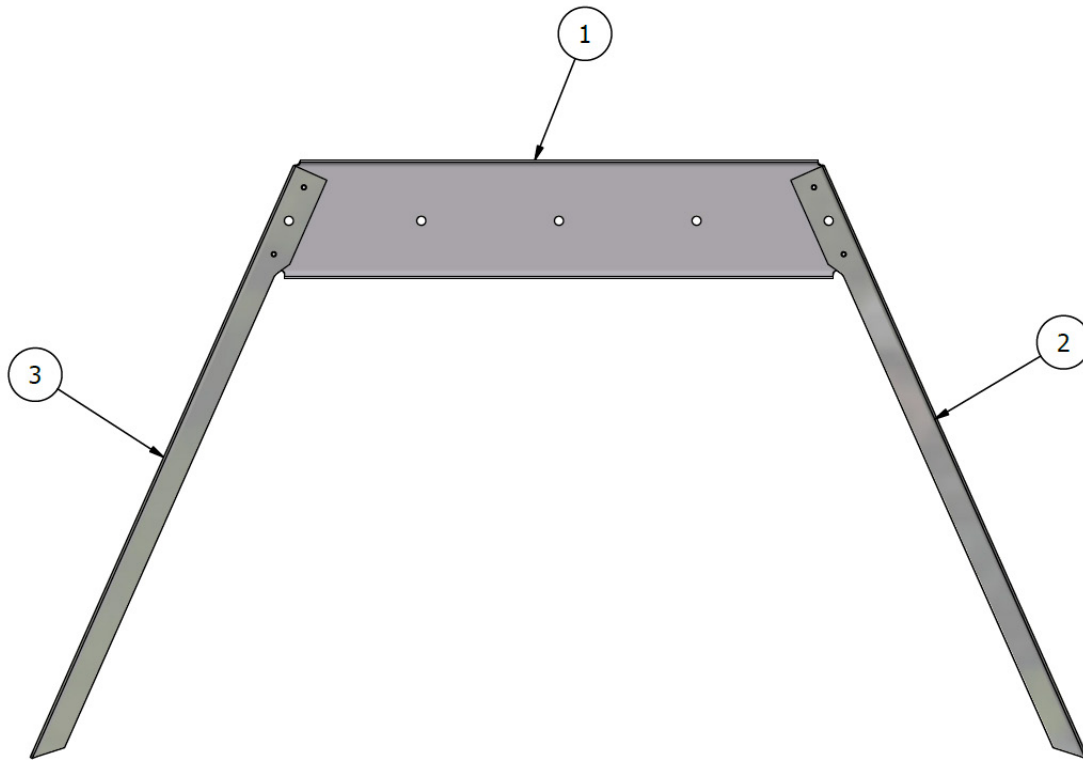
PARTS MANUAL
2350 FLOATS ON CESSNA 172 &175 SERIES

| ITEM | QTY | PART NO. | PART DESCRIPTION |
|------|-----|---------------|---|
| 1 | 2 | 23A02000-174 | ASS'Y – FRONT STRUT |
| | 1 | 23A02053-010 | FITTING - UPPER |
| | 4 | AN5-16A | BOLT – FITTING ATTACH |
| | 8 | NAS1149F0563P | WASHER |
| | 4 | MS21044N5 | NUT, LOCKING, REGULAR HEIGHT, 5/16-24 UNF |
| | 1 | 21A02334-020 | STRUT – BLANK WITH BUSHINGS |
| | 4 | NAS1149F0532P | WASHER, 0.328 ID, 0.032 THK, STEEL |
| 2 | 2 | 23A02000-230 | ASS'Y - STRUT – CENTER WITH BUSHINGS |
| 3 | 2 | 21A02000-161 | ASS'Y – STRUT – REAR WITH BUSHINGS |
| 4 | 2 | 1002111 | ASS'Y – DRAG WIRE – FWD |
| | 2 | SP4ZF6 | CLEVIS - PIN |
| | 2 | SP90C5 | PIN – COTTER |
| | 1 | AN665-46LS * | TERMINAL CLEVIS “L” |
| | 1 | AN665-46RS * | TERMINAL CLEVIS “R” |
| | 1 | AN316C5L | CHECK NUT “L” |
| | 1 | AN316C5R | CHECK NUT “R” |
| 5 | 2 | 21A02000-137 | ASS'Y – DRAG WIRE – AFT |
| | 2 | SP4ZF6 | PIN - CLEVIS |
| | 2 | SP90C5 | PIN – COTTER |
| | 1 | AN665-46LS * | TERMINAL CLEVIS “L” |
| | 1 | AN665-46RS * | TERMINAL CLEVIS “R” |
| | 1 | AN316C5L | CHECK NUT “L” |
| | 1 | AN316C5R | CHECK NUT “R” |
| 6 | 2 | 21A02062-009 | FITTING – LOWER FRONT STRUT |
| 7 | 1 | 21A02000-141 | ASS'Y - FITTING – UPPER FRONT STRUT L. |
| | 1 | 21A02000-142 | ASS'Y – FITTING – UPPER FRONT STRUT R. |
| 8 | 2 | 21A02062-010 | FITTING – LOWER AFT STRUT |
| 9 | 1 | 23A02000-219 | ASS'Y – MAIN FUSELAGE FITTING L. |
| | 1 | 23A02000-222 | ASS'Y – MAIN FUSELAGE FITTING R. |
| 10 | 2 | 21A02462-005 | WIRE PULL LOWER FWD |
| 11 | 2 | 21A02519-007 | WIRE PULL LOWER AFT |
| 12 | 4 | 21A03032-006 | BLOCK – DECK FITTING |
| 13 | 4 | 21A03214-003 | SPACER |
| 14 | 4 | 21A03154-008 | SPACER – BEARING |
| 15 | 4 | 21A03115-001 | TUBE – SPREADER BAR MOUNT |
| 16 | 2 | 21A03356-047 | SPREADER BAR |
| 17 | 2 | AN45-12A | EYEBOLT |
| 18 | 2 | AN6-31A | BOLT, SHOULDER, GEAR ACTUATOR, 1450 |
| 19 | 2 | AN6-17A | BOLT, 3/8-24, 1.3125 GRIP, UNDRILLED, STEEL |
| 20 | 4 | AN5-16A | BOLT |
| 21 | 4 | AN6-17A | BOLT, 3/8-24, 1.3125 GRIP, UNDRILLED, STEEL |

| ITEM | QTY | PART NO. | PART DESCRIPTION |
|------|-----|---------------|---|
| 22 | 4 | AN6-42A | BOLT, STEEL, 3/8-24 THREAD, GRIP 3.688", CAD 2 PLATING |
| 23 | 4 | AN6-26A | BOLT SIZE 3/8-24, LENGTH 1/64 - 2-53/64, GRIP LENGTH 2-3/16 |
| 24 | 8 | AN5-24A | BOLT, 5/16-24 THREAD, 2-1/16" GRIP, 2-19/32" LENGTH |
| 25 | 2 | AN6-35A | BOLT, 3/8-24 THREAD, 3-1/16" GRIP, 3-45/64 LENGTH |
| 26 | 4 | 21A02095-003 | BUSHING |
| 27 | 10 | AN4-6A | BOLT, 1/4-28, 0.3125 GRIP, UNDRILLED, STEEL |
| 28 | 2 | AN7-13A | BOLT, 7/16-20, 0.8125 GRIP, UNDRILLED, STEEL |
| 29 | 2 | 21A02010-018 | COVER – GEAR OPENING |
| 30 | A/R | NAS1149D0463J | WASHER, 0.265 ID, 0.063 THK, ALUMINUM |
| 31 | 10 | MS21044N4 | NUT, LOCKING, REGULAR HEIGHT, 1/4-28 UNF |
| 32 | A/R | NAS1149D0563J | WASHER, 0.328 ID, 0.063 THK, ALUMINUM |
| 33 | 6 | MS21044N5 | NUT, LOCKING, REGULAR HEIGHT, 5/16-24 UNF |
| 34 | A/R | NAS1149D0663J | WASHER, 0.39 ID, 0.063 THK, ALUMINUM |
| 35 | 18 | MS21044N6 | NUT, LOCKING, REGULAR HEIGHT, 3/8-24 UNF |
| 36 | A/R | NAS1149D0763J | WASHER, 0.453 ID, 0.063 THK, ALUMINUM |
| 37 | 2 | MS210365-720A | NUT |

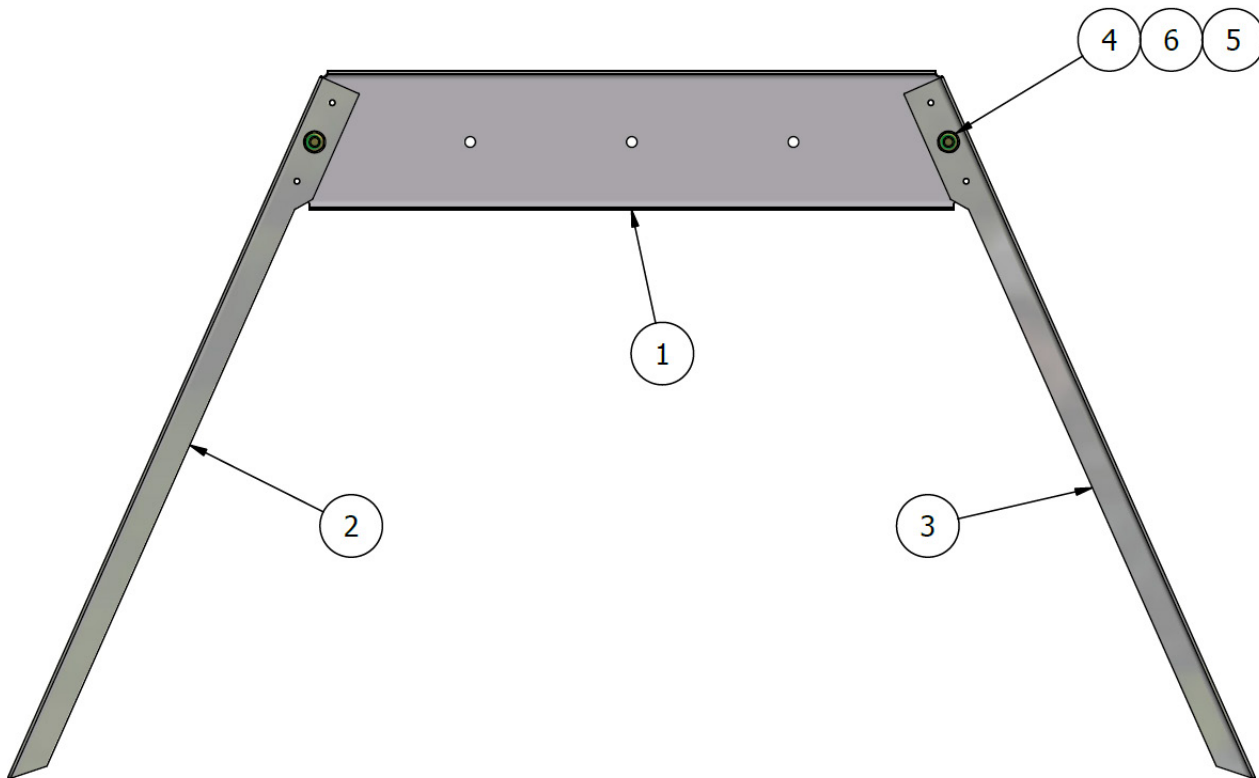
* DENOTES STAINLESS STEEL

SPREADER BAR PANEL FWD ASSEMBLY AMPHIBIAN ONLY



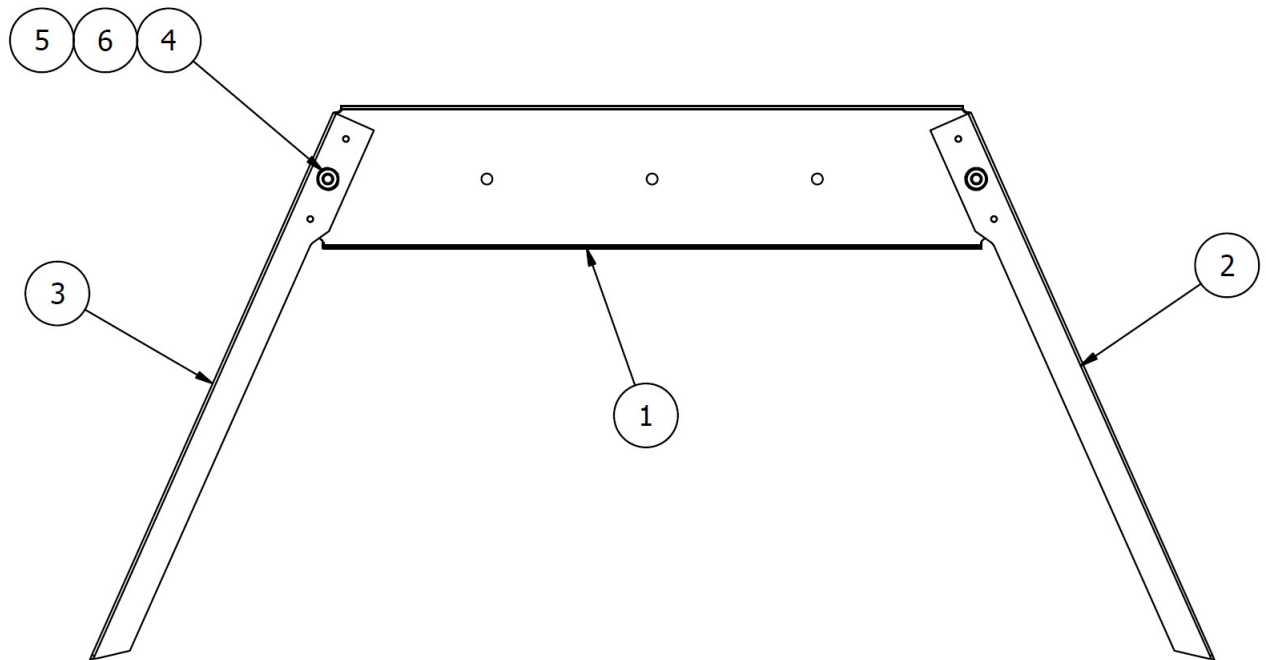
| ITEM | QTY | PART NO. | PART DESCRIPTION |
|------|-----|--------------|--------------------------------|
| - | 1 | 21A01000-260 | SPREADER BAR PANEL FWD ASSY. |
| 1 | 1 | 21A01163-065 | PANEL, SUPPORT, SPREADER BAR |
| 2 | 1 | 21A01326-007 | ANGLE SUPPORT, LH, BULKHEAD #5 |
| 3 | 1 | 21A01326-008 | ANGLE SUPPORT, RH, BULKHEAD #5 |

SPREADER BAR PANEL FWD ASSEMBLY SEAPLANE ONLY



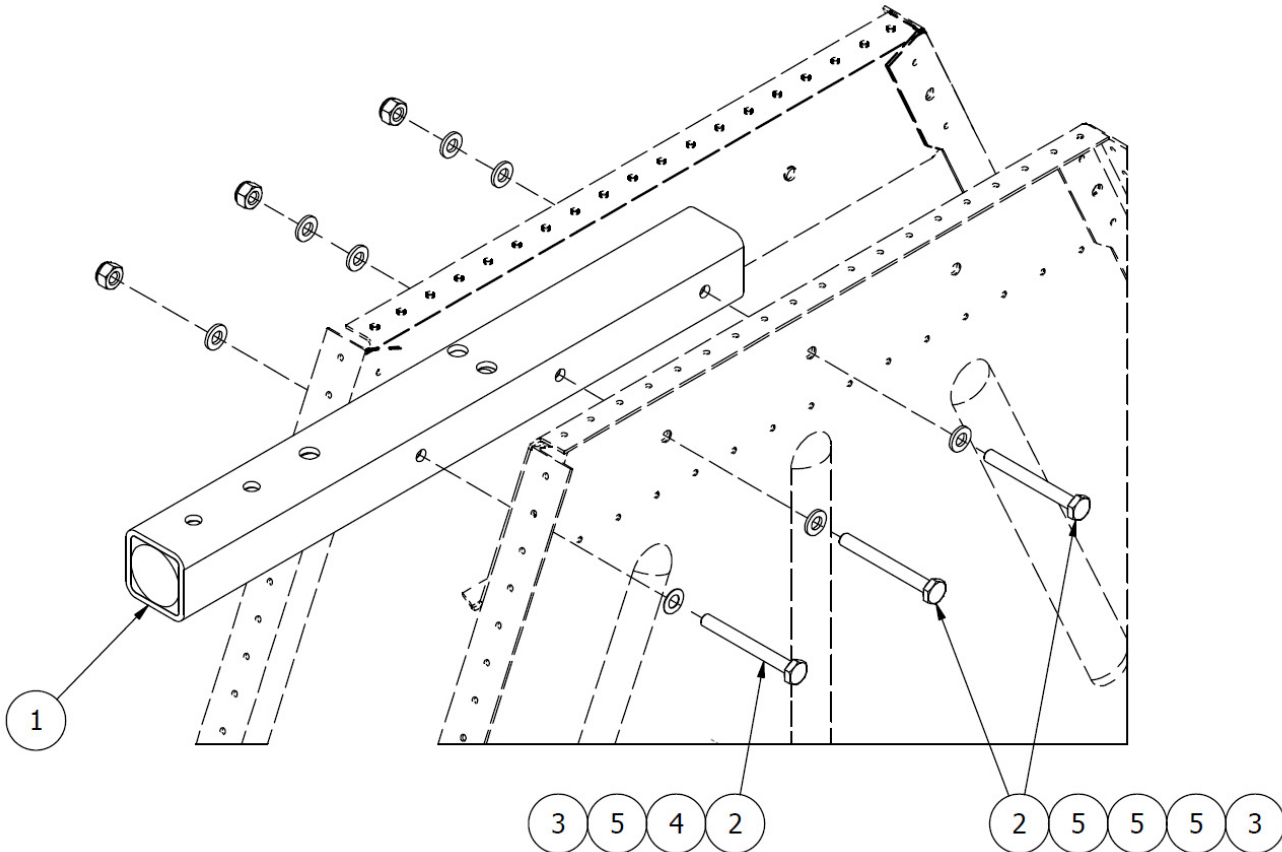
| ITEM | QTY | PART NO. | PART DESCRIPTION |
|------|-----|---------------|---|
| - | 1 | 23A01000-302 | ASSY, SPREADER BAR PANEL, FWD |
| 1 | 1 | 21A01163-065 | PANEL, SUPPORT, SPREADER BAR |
| 2 | 1 | 23A01326-018 | ANGLE, RH, SPREADER BAR PANEL, FWD |
| 3 | 1 | 23A01326-019 | ANGLE, LH, SPREADER BAR PANEL, FWD |
| 4 | 2 | AN4-5A | BOLT, 1/4-28, 0.1875 GRIP, UNDRILLED, STEEL |
| 5 | 2 | MS21044N4 | NUT, LOCKING, REGULAR HEIGHT, 1/4-28 UNF |
| 6 | 2 | NAS1149F0463P | WASHER, 0.265 ID, 0.063 THK, STEEL |

SPREADER BAR PANEL AFT ASSEMBLY



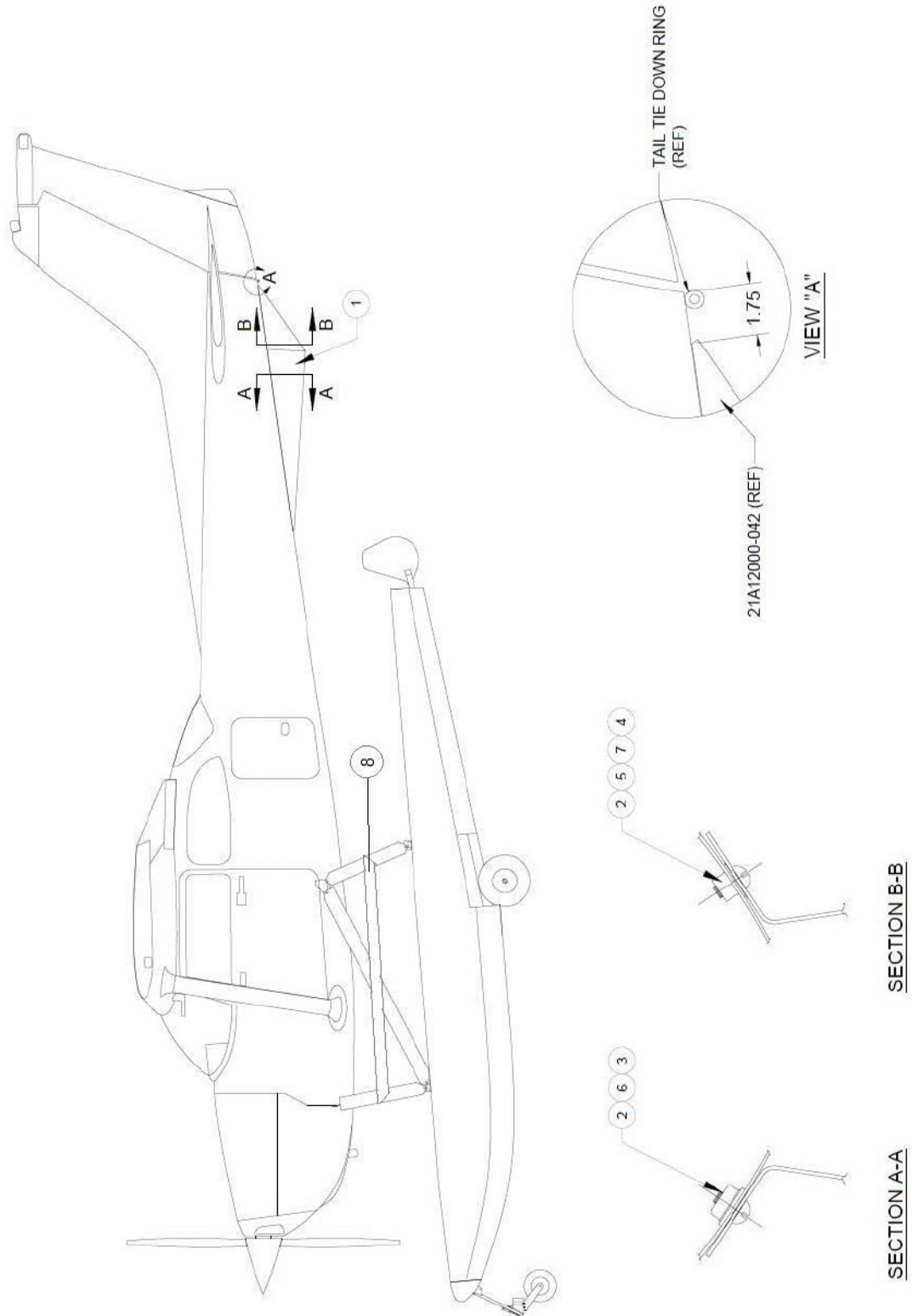
| ITEM | QTY | PART NO. | PART DESCRIPTION |
|------|-----|---------------|---|
| - | 1 | 21A01000-259 | SPREADER BAR PANEL AFT ASSY |
| 1 | 1 | 21A01163-065 | PANEL, SUPPORT, SPREADER BAR |
| 2 | 1 | 21A01326-009 | ANGLE, SIDE BAR, SHORT |
| 3 | 1 | 21A01326-010 | ANGLE, SIDE BAR, SHORT |
| 4 | 2 | AN4-5A | BOLT, 1/4-28, 0.1875 GRIP, UNDRILLED, STEEL |
| 5 | 2 | MS21044N4 | NUT, LOCKING, REGULAR HEIGHT, 1/4-28 UNF |
| 6 | 2 | NAS1149F0463P | WASHER, 0.265 ID, 0.063 THK, STEEL |

MOUNTING SPREADER BAR TUBE



| ITEM | QTY | PART NO. | PART DESCRIPTION |
|------|-----|---------------|---|
| 1 | 1 | 21A03115-001 | TUBE, SPREADER BAR, MOUNTING |
| 2 | 3 | AN4-22A | BOLT, 1/4-28, 1.8125 GRIP, UNDRILLED, STEEL |
| 3 | 3 | MS21044N4 | NUT, LOCKING, REGULAR HEIGHT, 1/4-28 UNF |
| 4 | 1 | NAS1149D0416J | WASHER, 0.265 ID, 0.016 THK, ALUMINUM |
| 5 | 7 | NAS1149D0463J | WASHER, 0.265 ID, 0.063 THK, ALUMINUM |

VENTRAL FIN & FUSELAGE STEPS INSTALLATION



| ITEM | QTY | PART NO. | PART DESCRIPTION |
|------|-----|---------------|--|
| 1 | 1 | 21A12000-042 | VENTRAL FIN (172) |
| 2 | 24 | AN526-832R8 | SCREW, MACHINE, TRUSS HEAD |
| 3 | 14 | MS21047L08 | NUTPLATE |
| 4 | 10 | MS27130A13 | RIVNUT |
| 5 | 10 | MS35333-38 | STAR WASHER |
| 6 | 14 | NAS1149F0363P | WASHER, 0.203 ID, 0.063 THK, STEEL |
| 7 | 10 | NAS1149FN832P | WASHER, 0.174 ID, 0.032 THK, STEEL |
| 8 | 2 | 21A02369-035 | STEP – L. & R. |
| | 4 | AN3-20A | BOLT, 10-32, 1.625 GRIP, UNDRILLED, STEEL |
| | 2 | AN3-24A | BOLT, 10-32 THREAD, 2-1/8" GRIP, 2-17/32" LENGTH |
| | 12 | NAS1149D0363J | WASHER, 0.203 ID, 0.063 THK, ALUMINUM |
| | 6 | MS21044N3 | NUT, LOCKING, REGULAR HEIGHT, 10-32 UNF |
| | 6 | BFP | HOLE PLUG |
| | 4 | 6A02273-006 | SPACER – FRONT STRUT |

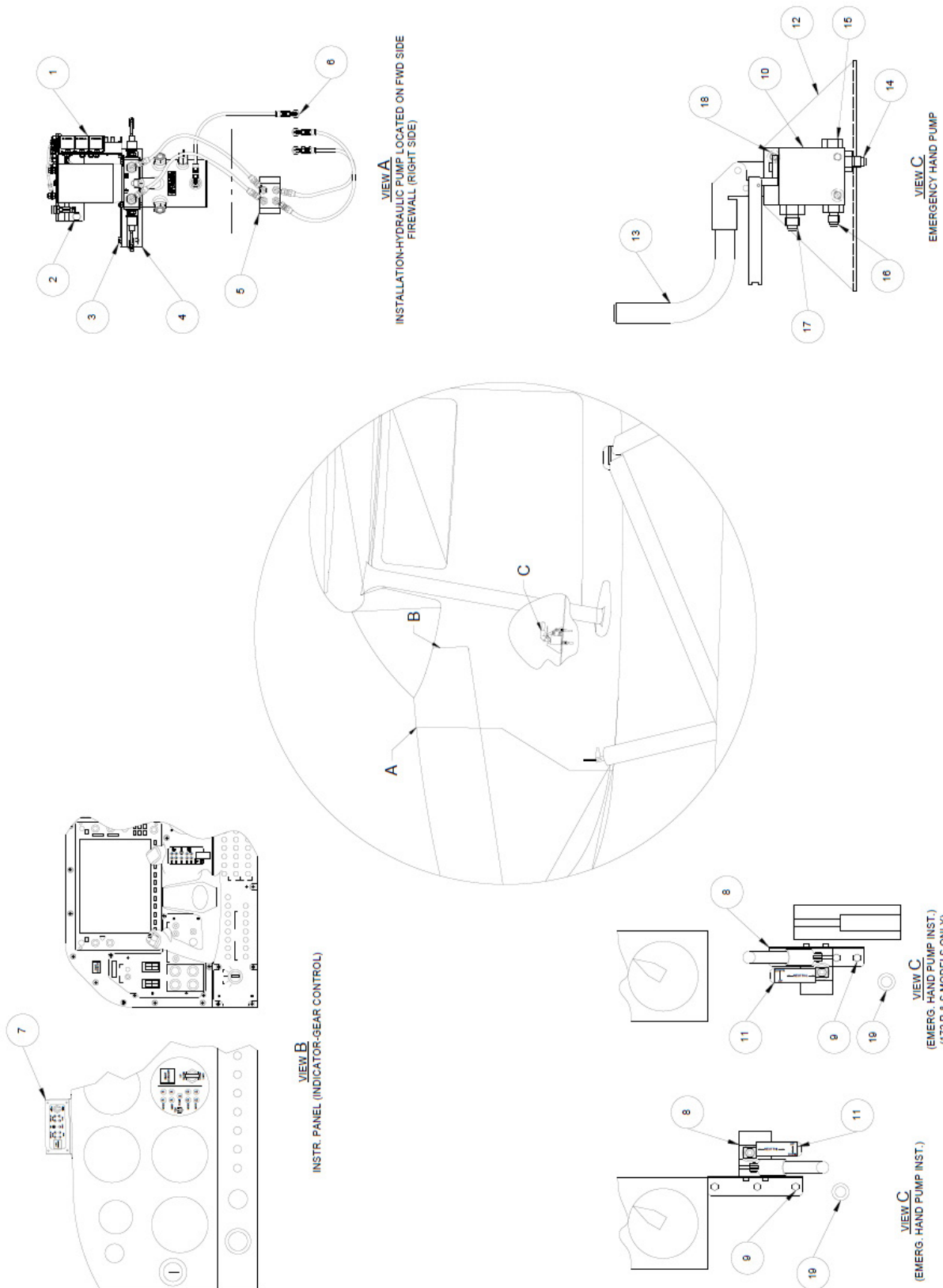
SECTION 10

HYDRAULIC SYSTEM

CONTENTS

| | |
|--|-----|
| HYDRAULIC SYSTEM INSTALLATION POST SERVICE LETTER 228..... | 100 |
| HYDRAULIC SYSTEM INSTALLATION PRE SERVICE LETTER 228 | 103 |
| HYDRAULIC PUMP ASSEMBLY POST SERVICE LETTER 228 | 106 |
| HYDRAULIC PUMP ASSEMBLY PRE SERVICE LETTER 228 | 110 |
| HYDRAULIC PUMP OVERVIEW POST SERVICE LETTER 228..... | 113 |
| HYDRAULIC PUMP OVERVIEW PRE SERVICE LETTER 228 | 115 |
| HYDRAULIC SCHEMATIC | 117 |

HYDRAULIC SYSTEM INSTALLATION POST SERVICE LETTER 228

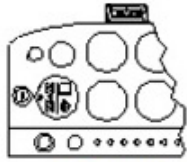


PARTS MANUAL
2350 FLOATS ON CESSNA 172 & 175 SERIES

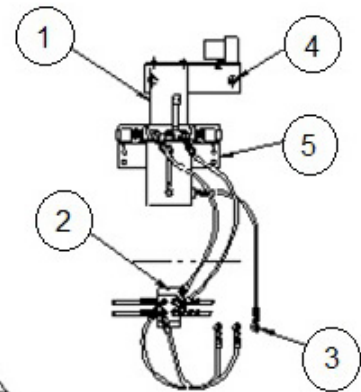
| ITEM | QTY | PART NO. | PART DESCRIPTION |
|------|-----|---------------|---|
| 1 | 1 | 1011849 | ASSEMBLY, HYDRAULIC POWER PACK, 12V |
| | 1 | 1011850 | ASSEMBLY, HYDRAULIC POWER PACK, 24V |
| | 1 | 1011851 | SPACER, INSTALLATION, HYDRAULIC POWER PACK |
| 2 | 2 | AN3-3A | (TOP BRACKET) BOLT, 10-32, 0.063 GRIP, UNDRILLED, STEEL |
| | 4 | NAS1149F0332P | WASHER, 0.203 ID, 0.032 THK, STEEL |
| | 2 | MS21044N3 | NUT, LOCKING, REGULAR HEIGHT, 10-32 UNF |
| 3 | 2 | AN4-6A | (BOTTOM BRACKET) BOLT, 1/4-28, 0.313 GRIP, STEEL |
| | 4 | NAS1149F0432P | WASHER, 0.265 ID, 0.032 THK, STEEL |
| | 2 | MS21044N4 | NUT, LOCKING, REGULAR HEIGHT, 1/4-28 UNF |
| 4 | 1 | 21A09348-020 | ANGLE, LOWER PUMP ATTACH |
| | 4 | AN3-4A | BOLT, 10-32, 0.125 GRIP, UNDRILLED, STEEL |
| | 4 | NAS1149F0363P | WASHER, 0.203 ID, 0.063 THK, STEEL |
| | 4 | MS21044N3 | NUT, LOCKING, REGULAR HEIGHT, 10-32 UNF |
| 5 | 1 | 21A09000-240 | ASSEMBLY, MANIFOLD |
| | 1 | 6A09046-001 | MANIFOLD |
| | 2 | AN3-5A | BOLT, 10-32, 0.25 GRIP, UNDRILLED, STEEL |
| | 4 | AN816-4D | FITTING, NIPPLE, FLARED TUBE AND PIPE THREAD |
| | 4 | AN816-4-4D | FITTING, NIPPLE, FLARED TUBE AND PIPE THREAD |
| | 2 | NAS1149F0363P | WASHER, 0.203 ID, 0.063 THK, STEEL |
| | 2 | MS21044N3 | NUT, LOCKING, REGULAR HEIGHT, 10-32 UNF |
| 6 | 3 | AN832-4D | UNION, BULKHEAD, FLARED TUBE |
| | 3 | NAS1149F0763P | WASHER, 0.453 ID, 0.063 THK, STEEL |
| | 3 | AN924-4D | NUT, TUBE, 7/16-20 THREAD |
| 7 | 1 | 21A11158-194 | COVER, SQUARE GEAR CONTROL HEAD |
| | 4 | MS35214-42 | GEAR CONTROL HEAD MOUNTING SCREW, 8-32, 0.50 LENGTH |
| 8 | 1 | 21A09000-194 | ASSEMBLY, EMERGENCY HAND PUMP |
| 9 | 3 | AN3-4A | (MOUNTING HARDWARE) BOLT, 10-32, 0.125 GRIP, STEEL |
| | 3 | NAS1149F0332P | WASHER, 0.203 ID, 0.032 THK, STEEL |
| | 3 | AN970-3 | WASHER, 0.203 ID, 0.875 OD, .063 THK, STEEL |
| | 3 | MS21044N3 | NUT, LOCKING, REGULAR HEIGHT, 10-32 UNF |
| 10 | 1 | 642873 | HAND PUMP (ONLY) |
| 11 | 1 | 12A3-7379-1 | PLACARD, EMERGENCY HAND PUMP |
| 12 | 1 | 21A09156-129 | BRACKET, PUMP ATTACH |
| 13 | 1 | 21A09396-001 | HANDLE |
| | 1 | 9283K13 | CAP PLUG |
| 14 | 1 | 21A09746-001 | UNION |
| | 1 | MS28775-012 | O-RING, HYDRAULIC PACKING, 0.364 ID |
| 15 | 1 | AN814-4D | PLUG, 7/16-20 THREAD |
| | 1 | MS28775-012 | O-RING, HYDRAULIC PACKING, 0.364 ID |
| 16 | 1 | AN815-4D | UNION |
| | 1 | MS28775-012 | O-RING, HYDRAULIC PACKING, 0.364 ID |

| ITEM | QTY | PART NO. | PART DESCRIPTION |
|------|-----|---------------|---------------------------------------|
| 17 | 1 | AN919-6D | UNION |
| | 1 | MS28775-014 | O-RING, HYDRAULIC PACKING, 0.489 ID |
| 18 | 2 | MS16997-77 | SOCKET HEAD CAP SCREW, 5/16-18 THREAD |
| | 2 | MS35333-41 | LOCK WASHER, INTERNAL TOOTH |
| | 2 | NAS1149F0563P | WASHER, 0.328 ID, 0.063 THK, STEEL |
| 19 | 1 | MS35489-49 | GROMMET |
| 20 | 2 | 21A04000-080 | ASSEMBLY, BRAKE LINE (NOT SHOWN) |
| | 2 | 63-190600-3 | FITTING, AERO QUIP HOSE #3 |

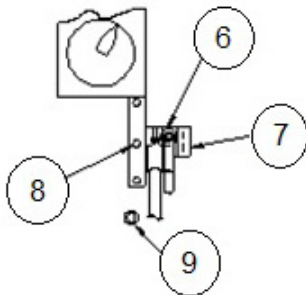
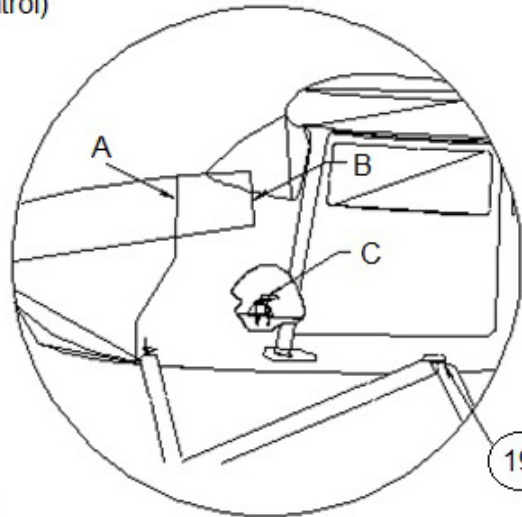
HYDRAULIC SYSTEM INSTALLATION PRE SERVICE LETTER 228



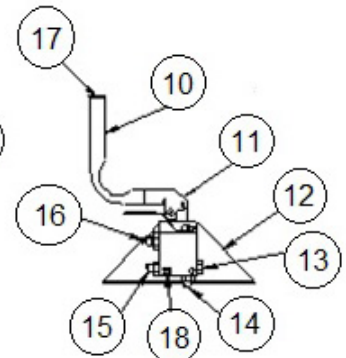
View "B"
Inst. Panel (Indicator-Gear Control)



View "A"



View "C"
Hand Pump Installation



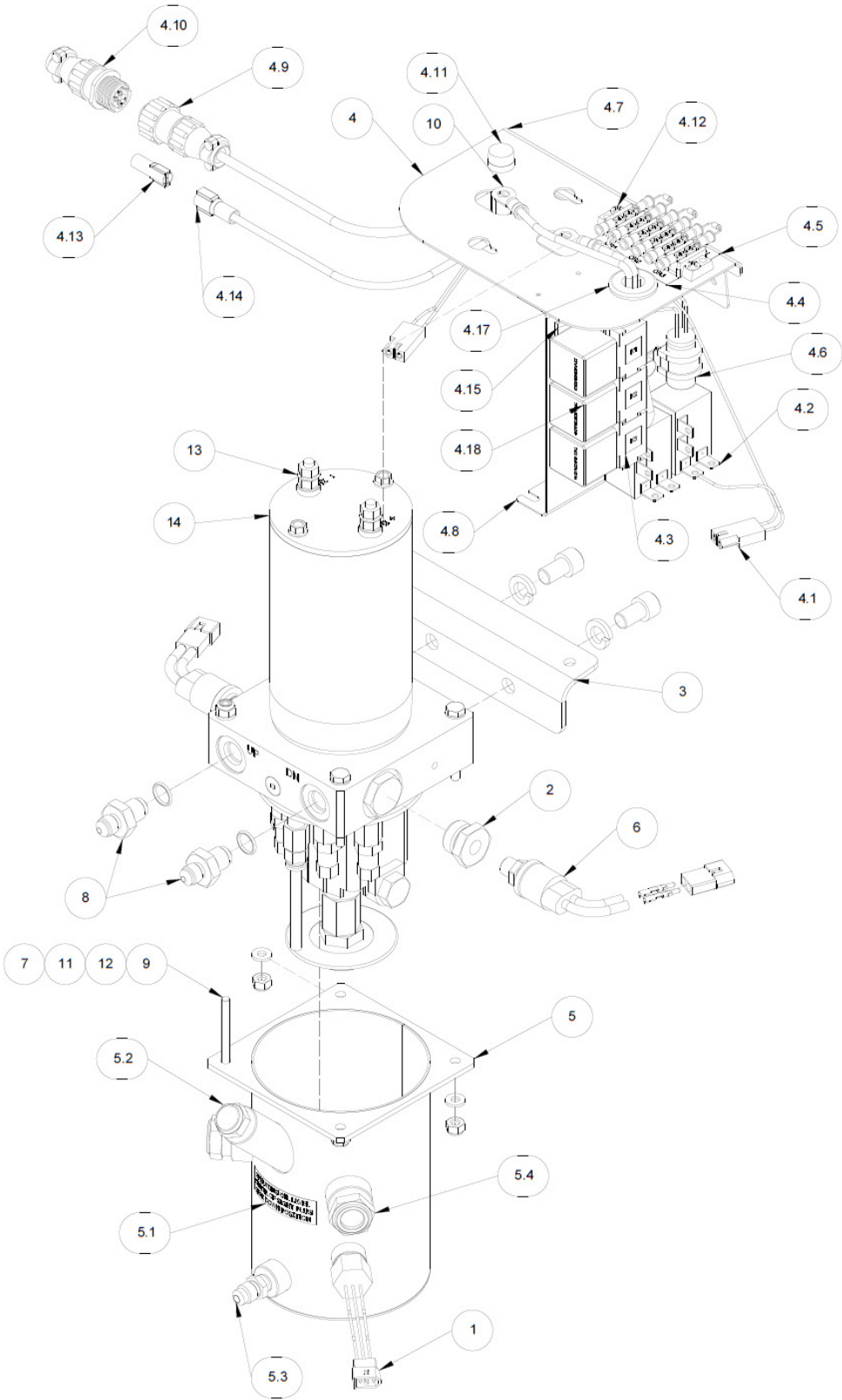
View "C"
Hand Pump Assembly

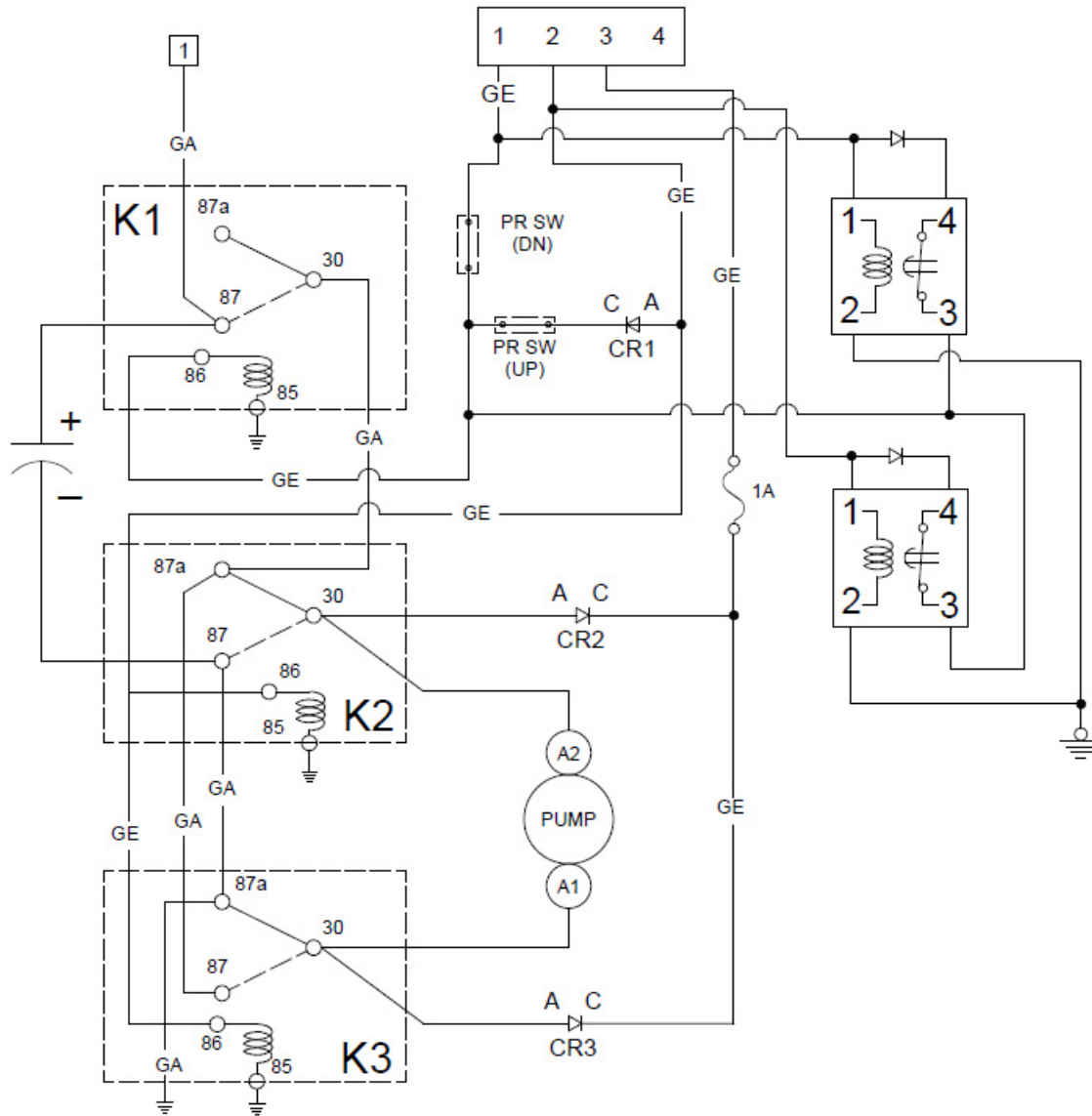
| ITEM | QTY | PART NO. | PART DESCRIPTION |
|------|-----|-------------------------|---|
| 1 | 1 | 21A09000-239 | ASS'Y - PUMP 12V |
| | 1 | 21A09000-283 | ASS'Y - PUMP 24V |
| 2 | 1 | 21A09000-240 | ASS'Y - MANIFOLD |
| | 1 | 6A09046-001 | MANIFOLD |
| | 4 | AN816-4-4D | NIPPLE - FITTING |
| | 2 | AN3-5A | BOLT - ATTACH |
| | 2 | NAS1149F0363P | WASHER |
| | 2 | MS21044N3 | NUT, LOCKING, REGULAR HEIGHT, 10-32 UNF |
| | 4 | AN816-4D | NIPPLE FITTING |
| 3 | 3 | AN832-4D | UNION - FIREWALL |
| | 3 | NAS1149F0763P | WASHER |
| | 3 | AN924-4D | NUT |
| 4 | 2 | AN3-4A | BOLT - TOP BRACKET ATTACH |
| | 4 | NAS1149D0363J | WASHER, 0.203 ID, 0.063 THK, ALUMINUM |
| 5 | 1 | 21A09348-020 | ANGLE - LOWER PUMP ATTACH |
| | 4 | AN3-4A | BOLT |
| | 4 | NAS1149D0363J | WASHER, 0.203 ID, 0.063 THK, ALUMINUM |
| | 4 | MS21044N3 | NUT, LOCKING, REGULAR HEIGHT, 10-32 UNF |
| 6 | 1 | 21A09000-194 | ASS'Y - HAND PUMP |
| 7 | 1 | 21A12000-052 | ASS'Y - SELECTOR HANDLE |
| | 1 | 12A3-7379-1 | PLACARD |
| 8 | 3 | AN3-4A | BOLT - ATTACH |
| | 3 | AN970-3 | WASHER |
| | 3 | NAS1149D0363J | WASHER, 0.203 ID, 0.063 THK, ALUMINUM |
| | 3 | MS21044N3 | NUT, LOCKING, REGULAR HEIGHT, 10-32 UNF |
| 9 | 1 | MS35489-49 | GROMMET |
| 10 | 1 | 21A09396-001 | HANDLE - PUMP |
| 11 | 1 | 642873 | HAND PUMP (ONLY) |
| 12 | 1 | 21A09156-129 | BRACKET - PUMP ATTACH |
| 13 | 1 | AN814-4D | PLUG |
| | 1 | MS28775-012 | "O" RING |
| 14 | 1 | 21A09746-001 | UNION |
| | 1 | MS28775-012 | "O" RING |
| 15 | 1 | AN815-4D | UNION |
| | 1 | MS28775-012 | "O" RING |
| 16 | 1 | AN919-6D | UNION |
| | 1 | MS28775-014 | "O" RING |
| 17 | 1 | 9283K13 | CAP PLUG |
| 18 | 2 | 5/16-18 UNC-28 X .63 | CAP SCREW - ATTACH |
| | 2 | MS35333-40 | LOCK WASHER |

PARTS MANUAL
2350 FLOATS ON CESSNA 172 &175 SERIES

| ITEM | QTY | PART NO. | PART DESCRIPTION |
|-------------|------------|-----------------|--------------------------------|
| | 2 | NAS1149F0563P | WASHER |
| 19 | 2 | 21A04000-080 | ASS'Y – BRAKE LINE (NOT SHOWN) |
| | 2 | 63-190600-3 | FITTING |

HYDRAULIC PUMP ASSEMBLY POST SERVICE LETTER 228





**POWER PACK SCHEMATIC
 (RELAYS SHOWN IN RELAXED CONDITION)**

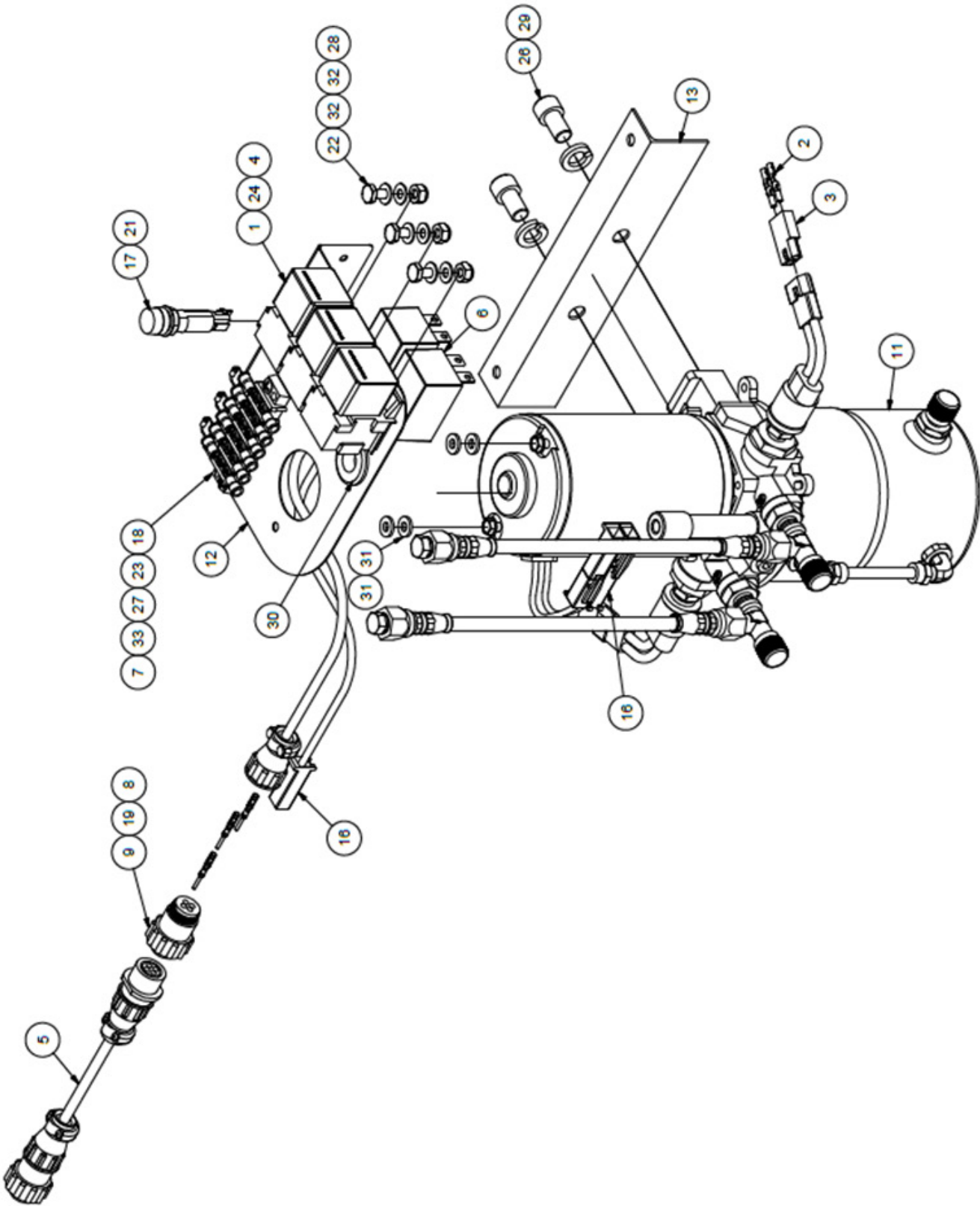
- 1. GE WIRES 20 GA
- 2. GA WIRES 12 GA

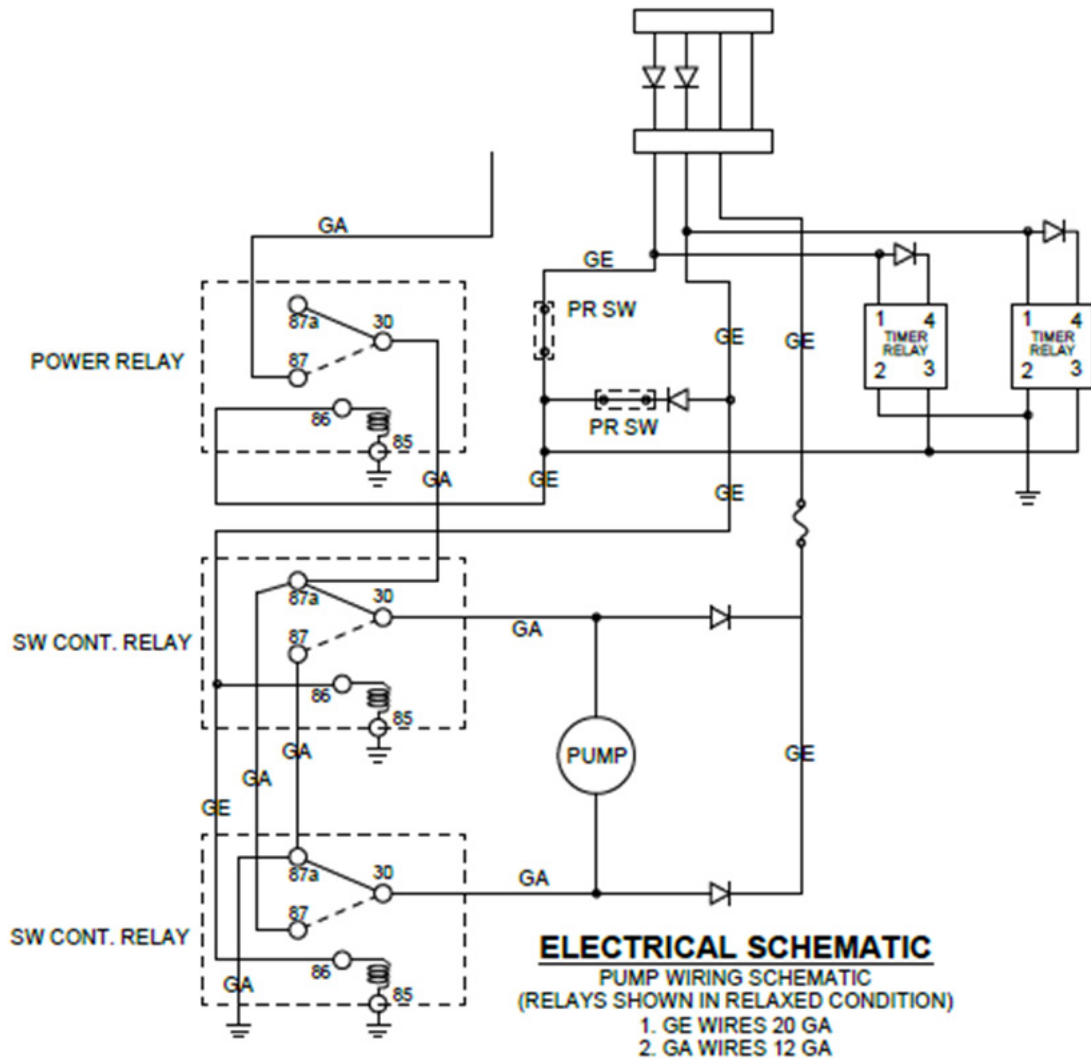
| ITEM | QTY | PART NO. | PART DESCRIPTION |
|------|-----|---------------|--|
| - | 1 | 1011849 | ASSEMBLY, HYDRAULIC POWER PACK, 12V |
| - | 1 | 1011850 | ASSEMBLY, HYDRAULIC POWER PACK, 24V |
| 1 | 1 | 1009428 | ASSEMBLY, SENSOR, FLUID LEVEL |
| | 1 | 93786A200 | PRESSURE SEALING WSHR, M12 |
| 2 | 2 | 1011062 | ASSEMBLY, PLUG, PRESSURE SWITCH PORT |
| 3 | 1 | 1011842 | ANGLE, MOUNTING HYDRAULIC PUMP |
| | 2 | MS16997-96 | SOCKET HEAD CAP SCREW, 3/8-16 THREAD |
| | 2 | MS35338-46 | WASHER, SPLIT |
| 4 | 1 | 1011845 | ASSEMBLY, SUPPORT PLATE, HYDRAULIC POWER PACK, 12V |
| | 1 | 1011846 | ASSEMBLY, SUPPORT PLATE, HYDRAULIC POWER PACK, 24V |
| 4.1 | 2 | 03-09-1022 | CONNECTOR PLUG, MALE, 2 CONN. |
| | 4 | 02-09-1104 | PIN, CRIMP FEMALE, 1/8" DIA |
| 4.2 | 1 | 1005042 | TIMER RELAY HARNESS, 12VDC |
| | 1 | 1005043 | TIMER RELAY HARNESS, 24VDC |
| 4.3 | 1 | 1009143-01 | PLACARD, K1 INDICATOR |
| | 1 | 1009143-02 | PLACARD, K2 INDICATOR |
| | 1 | 1009143-03 | PLACARD, K3 INDICATOR |
| 4.4 | 1 | 1009144-01 | PLACARD, CR INDICATOR |
| 4.5 | 1 | 1009144-02 | PLACARD, AC INDICATOR |
| 4.6 | 1 | 1011798 | ASSEMBLY, CAPACITOR |
| | 1 | MS21919WDG10 | CLAMP, LOOP, CUSHIONED, 5/8" TUBE OD |
| | 1 | AN3-3A | BOLT, 10-32, 0.063 GRIP, UNDRILLED, STEEL |
| | 1 | NAS1149F0332P | WASHER, 0.203 ID, 0.032 THK, STEEL |
| | 1 | MS21044N3 | NUT, LOCKING, REGULAR HEIGHT, 10-32 UNF |
| 4.7 | 1 | 1011843 | TOP PLATE, HYDRAULIC PUMP |
| 4.8 | 1 | 1011844 | ELECTRONIC SIDE PLATE |
| 4.9 | 1 | 206429-1 | PLUG, MALE, CPC SIZE 1, 4 PIN |
| | 3 | 66103-4 | PIN, CRIMP SOCKET, 24-20 AWG |
| | 1 | 206062-3 | CLAMP, CABLE, CPC SIZE 11 |
| 4.10 | 1 | 206430-2 | PLUG, FEMALE, CPC SIZE 1, 4 PIN |
| | 3 | 66105-4 | CRIMP SOCKET, FEMALE |
| | 1 | 206062-3 | CLAMP, CABLE, CPC SIZE 11 |
| 4.11 | 1 | 3453LF2A | FUSE HOLDER |
| | 1 | AGC-1 | FUSE, 250V, 1 AMP |
| 4.12 | 1 | 6-140 | TERMINAL BLOCK, 6 CONNECTOR |
| | 2 | AN526C632R8 | SCREW, MACHINE, TRUSS HEAD, 6-32 THREAD |
| | 2 | MS21044N06 | NUT LOCKING, REGULAR HEIGHT, 6-32 UNC |
| | 12 | MS25036-102 | RING TERMINAL, #6 STUD, 16-22 AWG, RED |
| | 3 | 1N4004 | DIODE |
| 4.13 | 1 | 73F-250-32-NL | CONNECTOR, FEMALE, 10-12 AWG, FULLY INSULATED |
| 4.14 | 1 | 73M-250-32-NL | CONNECTOR, MALE, 10-12 AWG, FULLY INSULATED |

PARTS MANUAL
2350 FLOATS ON CESSNA 172 &175 SERIES

| ITEM | QTY | PART NO. | PART DESCRIPTION |
|------|-----|----------------------------------|--|
| 4.15 | 3 | BR05-FW | SOCKET, 5 PRING, PLASTIC |
| | 14 | 1-901-355-917 | TERMINAL |
| | 3 | AN3-3A | BOLT, 10-32, 0.063 GRIP, UNDRILLED, STEEL |
| | 6 | NAS1149F0332P | WASHER, 0.203 ID, 0.032 THK, STEEL |
| | 3 | MS21044N3 | NUT, LOCKING, REGULAR HEIGHT, 10-32 UNC |
| 4.16 | 1 | MS35489-9 | GROMMET, RUBBER (NOT SHOWN) |
| 4.17 | 1 | MS35489-14 | GROMMET, RUBBER |
| 4.18 | 3 | V23234- A0001-X032 | RELAY, PRONG, 12V |
| | 3 | 0-332-209-211 | RELAY, 5 PRONG, 24V |
| 5 | 1 | 1011847 | ASSEMBLY, HYDRAULIC RESERVOIR |
| 5.1 | 1 | 1011848 | PLACARD, OIL LEVEL |
| 5.2 | 1 | 1EJT7 | BREATHER VENT |
| 5.3 | 1 | AN816-4D | NIPPLE, FLARED TUBE AND PIPE THREAD |
| 5.4 | 2 | LSP151-04-01 | LIQUID LEVEL SIGHT PLUG |
| 6 | 1 | 20PS001EB 700W50OW | PRESSURE SWITCH |
| | 2 | 03-09-2022 | CONNECTOR, PLUG, FEMALE |
| | 4 | 02-09-2118 | PIN, CRIMP MALE, 1/8" DIA. |
| 7 | 4 | AN3-16A | BOLT, 10-32, 1.375 GRIP, UNDRILLED, STEEL |
| 8 | 2 | AN919-3D | FITTING, REDUCER |
| | 2 | MS28775-013 | O-RING, HYDRAULIC |
| 9 | 4 | MS21044N3 | NUT, LOCKING, REGULAR HEIGHT, 10-32 UNF |
| 10 | 2 | MS25036-157 | RING TERMINAL, 1/4 STUD, 10-12 AWG, YELLOW |
| 11 | 2 | NAS1149F0332P | WASHER, 0.203 ID., 0.032 THK, STEEL |
| 12 | 5 | NAS1149F0363P | WASHER, 0.203 ID, 0.063 THK, STEEL |
| 13 | 2 | NAS1149F0432P | WASHER, 0.265 ID, 0.032 THK, STEEL |
| 14 | 1 | YBZS- C0.63W1T100K/ UVZOT2 | HYDRAULIC PUMP, 12VDC |
| | 1 | YBZS- C0.63W2T100K/ UVZOT2 | HYDRAULIC PUMP, 24VDC |

HYDRAULIC PUMP ASSEMBLY PRE SERVICE LETTER 228

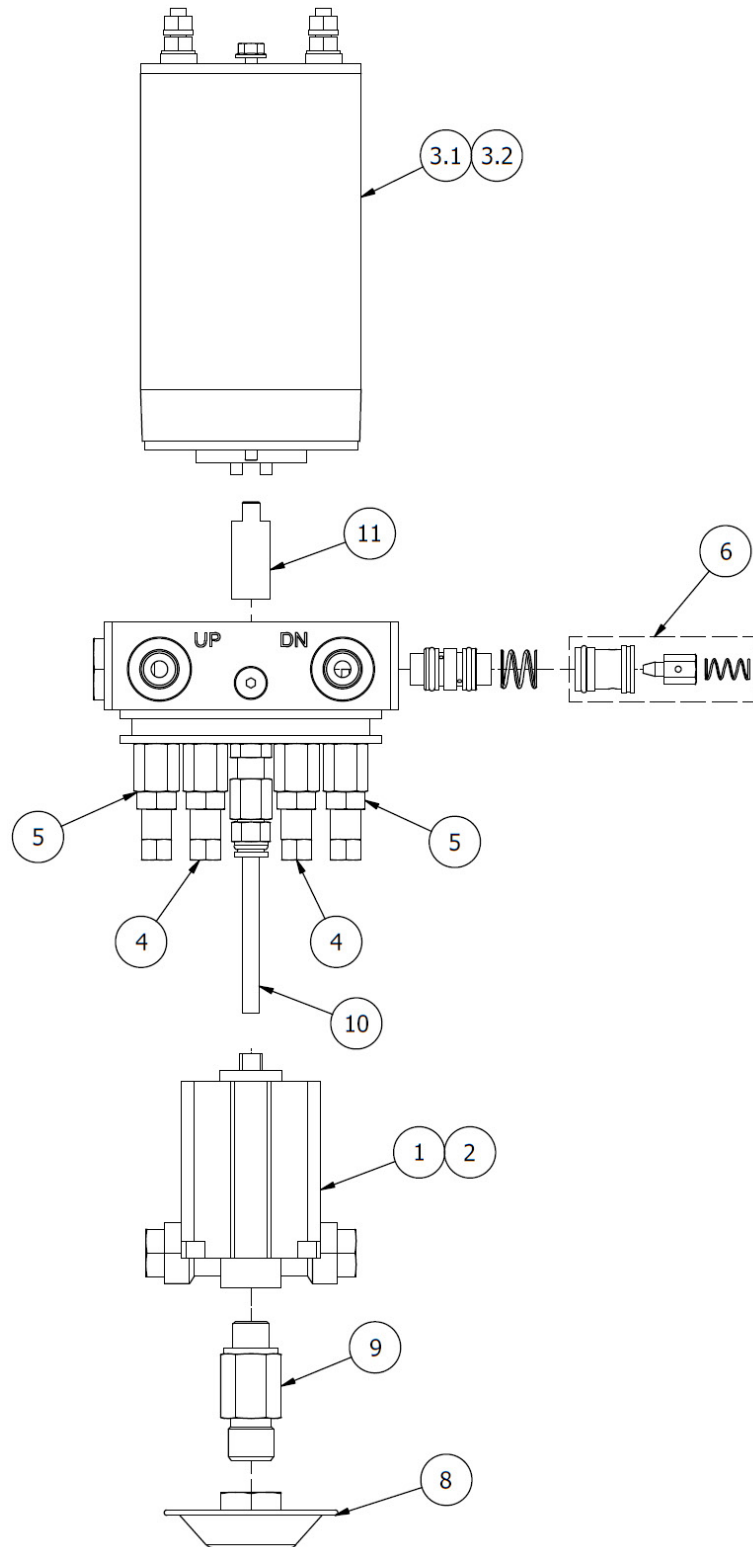




| ITEM | QTY | PART NO. | PART DESCRIPTION |
|------|-----|---------------|-------------------------------|
| 1 | 3 | 0-332-209-137 | RELAY, 12V, 5 PRONG |
| | 3 | 0-332-209-211 | RELAY, 24V, 5 PRONG |
| 2 | 4 | 02-09-1104 | PIN, CRIMP FEMALE, 1/8" DIA |
| 3 | 2 | 03-09-1022 | CONNECTOR PLUG, MALE, 2 CONN. |
| 4 | 14 | 1-901-355-917 | TERMINAL |
| 5 | 1 | 1004949 | CABLE, DIODE ADAPTOR |
| 6 | 1 | 1005042 | TIMER RELAY HARNESS |
| 7 | 3 | 1N4004 | DIODE, 2-1/2" |
| 8 | 2 | 206062-3 | CLAMP, CABLE, CPC SIZE 11 |
| 9 | 1 | 206429-1 | PLUG, MALE, CPC SIZE 1, 4 PIN |
| 10 | 1 | 206430-2 | CPC FREE HANG, 4 PIN, FEMALE |
| 11 | 1 | 21A09000-215 | ASSEMBLY, HYDRAULIC PUMP, 12V |
| | 1 | 21A09000-282 | ASSEMBLY, HYDRAULIC PUMP, 24V |
| 12 | 1 | 21A09005-264 | SUPPORT, HYD. PUMP ATTCH |

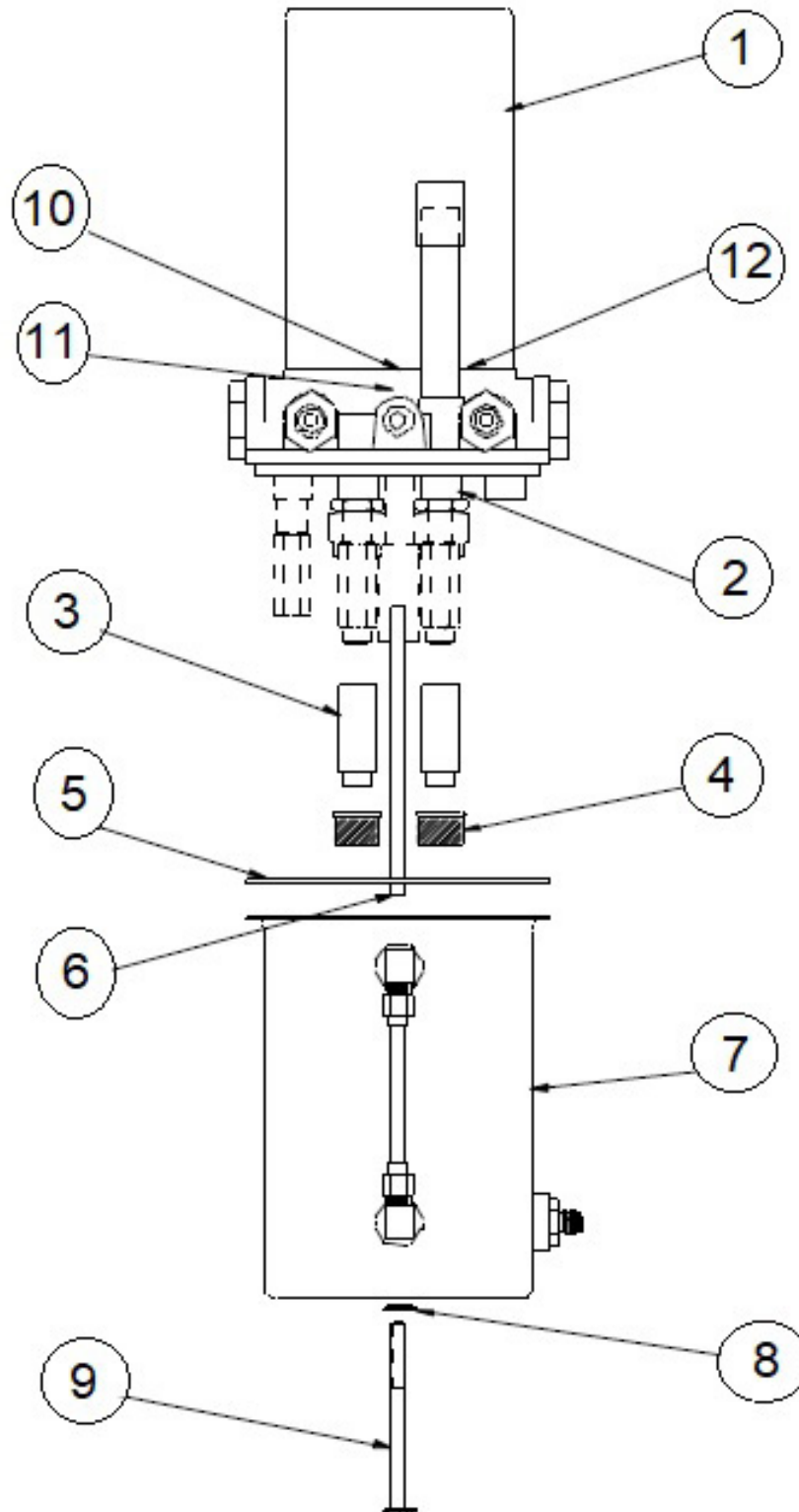
| ITEM | QTY | PART NO. | PART DESCRIPTION |
|------|---------|---------------|---|
| 13 | 1 | 21A09352-030 | ANGLE, MOUNTING, HYD. PUMP |
| 14 | 6 FT | 22759-16-12-9 | WIRE, 12 AWG, WHITE |
| 15 | 10.1 FT | 22759-16-20-9 | WIRE, 20 AWG, WHITE |
| 16 | 1 | 73F-250-32-NL | CONNECTOR, FEMALE, 10-12 AWG |
| | 1 | 73M-250-32-NL | CONNECTOR, MALE, 10-12 AWG |
| 17 | 1 | 3453LF2A | FUSE HOLDER |
| 18 | 1 | 6-140 | TERMINAL BLOCK, 6 CONNECTOR |
| 19 | 3 | 66103-4 | PIN, CRIMP SOCKET, 24-20G |
| 20 | 3 | 66105-4 | CRIMP SOCKET, FEMALE |
| 21 | 1 | AGC-1 | FUSE, 250V, (S2565-1) |
| 22 | 3 | AN3-3A | BOLT |
| 23 | 2 | AN526-632R8 | SCREW, MACHINE, TRUSS HEAD |
| 24 | 3 | BR05FW | SOCKET, 5 PRONG, PLASTIC |
| 25 | 1.5 FT | HS105-3/16-0 | HEAT SHRINK, TUBING, BLACK |
| 26 | 2 | MS16997-96 | SOCKET HEAD CAP SCREW |
| 27 | 2 | MS21044N06 | NUT |
| 28 | 3 | MS21044N3 | NUT, LOCKING, REGULAR HEIGHT, 10-32 UNF |
| 29 | 2 | MS35338-46 | WASHER, SPLIT |
| 30 | 1 | MS35489-14 | GROMMET, RUBBER |
| 31 | 4 | NAS1149D0363J | WASHER, 0.203 ID, 0.063 THK, ALUMINUM |
| 32 | 6 | NAS1149F0332P | WASHER |

HYDRAULIC PUMP OVERVIEW POST SERVICE LETTER 228



| ITEM | QTY | PART NO. | PART DESCRIPTION |
|------|-----|----------|--|
| 1 | 1 | 202-0003 | BI-DIRECTIONAL PUMP, 0.64 ML/R |
| 2 | 1 | 299-0008 | SEAL KIT, BI-DIRECTIONAL GEAR PUMP |
| 3.1 | 1 | 610-0010 | DC MOTOR, 12V, .8KW |
| 3.2 | 1 | 610-0017 | DC MOTOR, 24V, .8KW |
| 4 | 2 | 631-0005 | PRESSURE RELIEF VALVE |
| 5 | 2 | 631-0006 | THERMAL RELIEF VALVE |
| 6 | 2 | 632-0004 | ASSEMBLY, PILOT OPERATED CHECK VALVE |
| 7 | 1 | 637-0024 | SHUTTLE VALVE |
| 8 | 1 | 682-0019 | FILTER, PICKUP TUBE, HYDRAULIC PUMP |
| 9 | 1 | 682-0055 | SUCTION HEX TUBE |
| 10 | 1 | 682-0056 | RETURN TUBE |
| 11 | 1 | 683-0011 | COUPLING, MOTOR TO PUMP |
| 12 | 2 | 685-0012 | SPRING, SHUTTLE VALVE |
| 13 | 11 | 687-0001 | SEAL KIT, RESERVIOR O-RING, PILOT OPERATED RELIEF VALVE O-RING, THERMAL AND PRESSURE RELIEF VALVE O-RING (NOT SHOWN) |

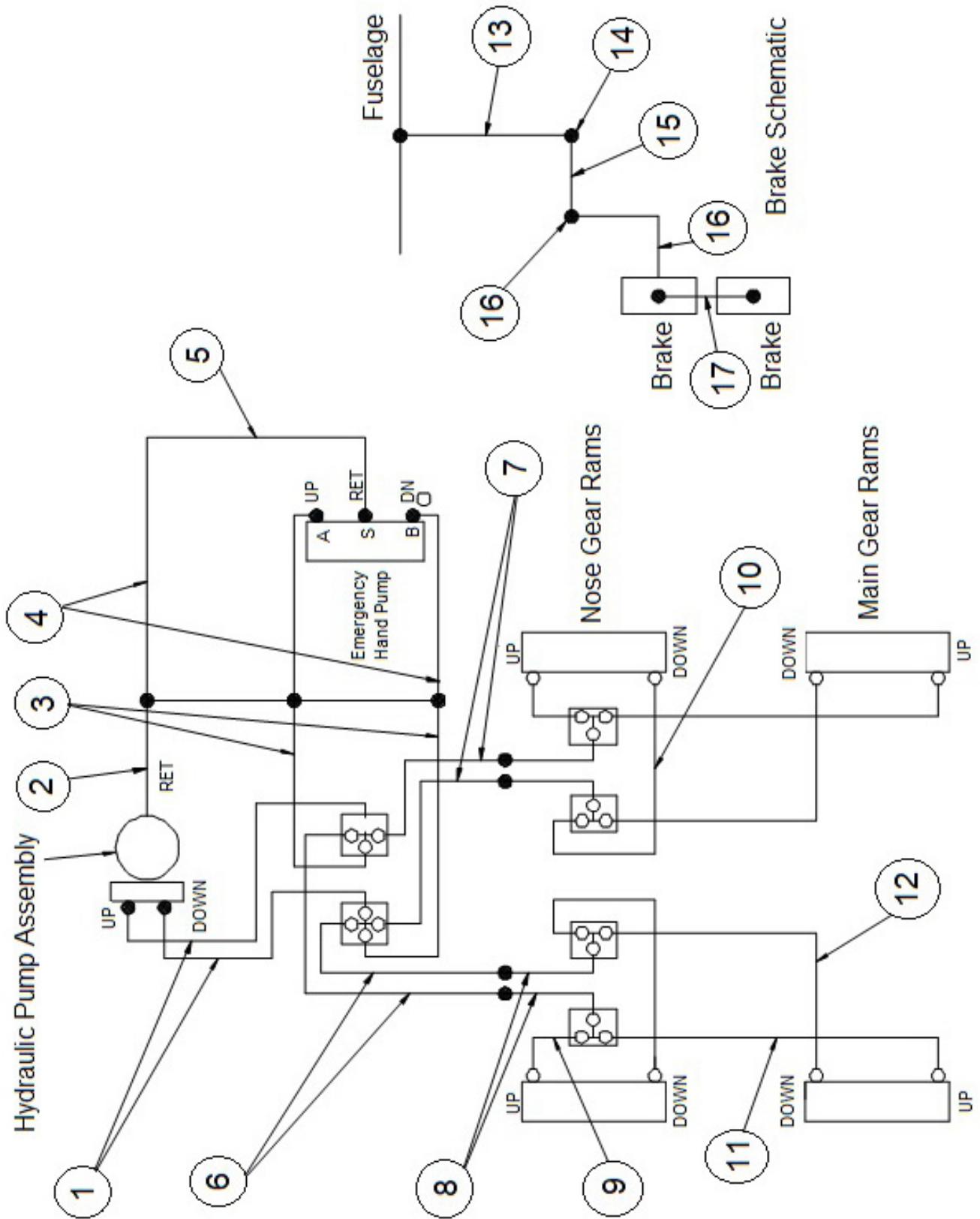
HYDRAULIC PUMP OVERVIEW PRE SERVICE LETTER 228



| ITEM | QTY | PART NO. | PART DESCRIPTION |
|------|-----|--------------|----------------------------|
| 1 | 1 | 21A09000-215 | HYDRAULIC PUMP ASS'Y (12V) |
| | 1 | 21A09000-282 | HYDRAULIC PUMP ASS'Y (24V) |
| | 1 | 640661 | MOTOR (12V) |
| | 1 | 641131 | MOTOR (24V) |
| 2 | 1 | 634873 | BASIC PUMP |
| 3 | 2 | 362136 | TUBE EXTENSIONS |
| 4 | 2 | 410521* | FILTER |
| 5 | 1 | 410578* | SEAL RESERVIOR |
| 6 | 1 | 365047 | RETURN TUBE |
| 7 | 1 | 775260 | RESERVIOR – GAUGE ASS'Y |
| 8 | 1 | 415067 | SEAL THREAD |
| 9 | 1 | 409715* | SCREW – RESERVIOR ATTACH |
| 10 | 1 | 361183* | COUPLING – MOTOR TO PUMP |
| 11 | 1 | 410512 | SEAL – PUMP SHAFT |
| 12 | 1 | 405673 | “O” RING MOTOR TO BASE |

*Reference Wipaire drawing 1011065 for alternate part numbers.

HYDRAULIC SCHEMATIC



| ITEM | QTY | PART NO. | PART DESCRIPTION |
|------|-----|---------------|--|
| 1 | 2 | 21A09000-197 | ASSY, HOSE, MAIN PUMP TO MANIFOLD, 18" |
| 2 | 1 | 21A09000-201 | ASSY, HOSE, LWR RES FITTING TO FW, 18" |
| 3 | 2 | 21A09000-200 | ASSY, HOSE, FIREWALL TO MANIFOLD, 8" |
| 4 | 2 | 21A09000-202 | ASSY, HOSE, FIREWALL TO HAND PUMP, 60" |
| 5 | 1 | 21A09000-203 | ASSY, HOSE, FIREWALL TO HAND PUMP 40" |
| 6 | 2 | 21A09000-198 | ASSY, HOSE, LH FLOAT TO MANIFOLD 74" |
| 7 | 2 | 21A09000-199 | ASSY, HOSE RH FLOAT TO MANIFOLD 62" |
| 8 | 4 | 21A09000-222 | ASSEMBLY, HOSE – TEE TO TOP UP – DN |
| 9 | 2 | 23A09000-235 | HYD. LINE ASSY. |
| 10 | 2 | 23A09000-236 | HYD. LINE ASSY. |
| 11 | 2 | 23A09000-237 | HYD. LINE ASSY. |
| 12 | 2 | 23A09000-238 | HYD. LINE ASSY. |
| 13 | 2 | 21A04000-080 | TOP DECK FLOAT TO FUS., BRAKE |
| | 2 | 63-190600-3 | FITTING – ENDS |
| 14 | 2 | AN833-3D | FITTING – ELBOW |
| | 4 | NAS1149D0663J | WASHER |
| | 2 | AN924-3D | JAM NUT |
| 15 | 2 | 21A04000-079 | ALUM BRAKE LINE |
| 16 | 2 | 21A04000-078 | HYD. LINE ASSY. WHEEL WELL BRAKE LINE |
| 17 | 2 | 23A04000-118 | BRAKE LINE ASS'Y |

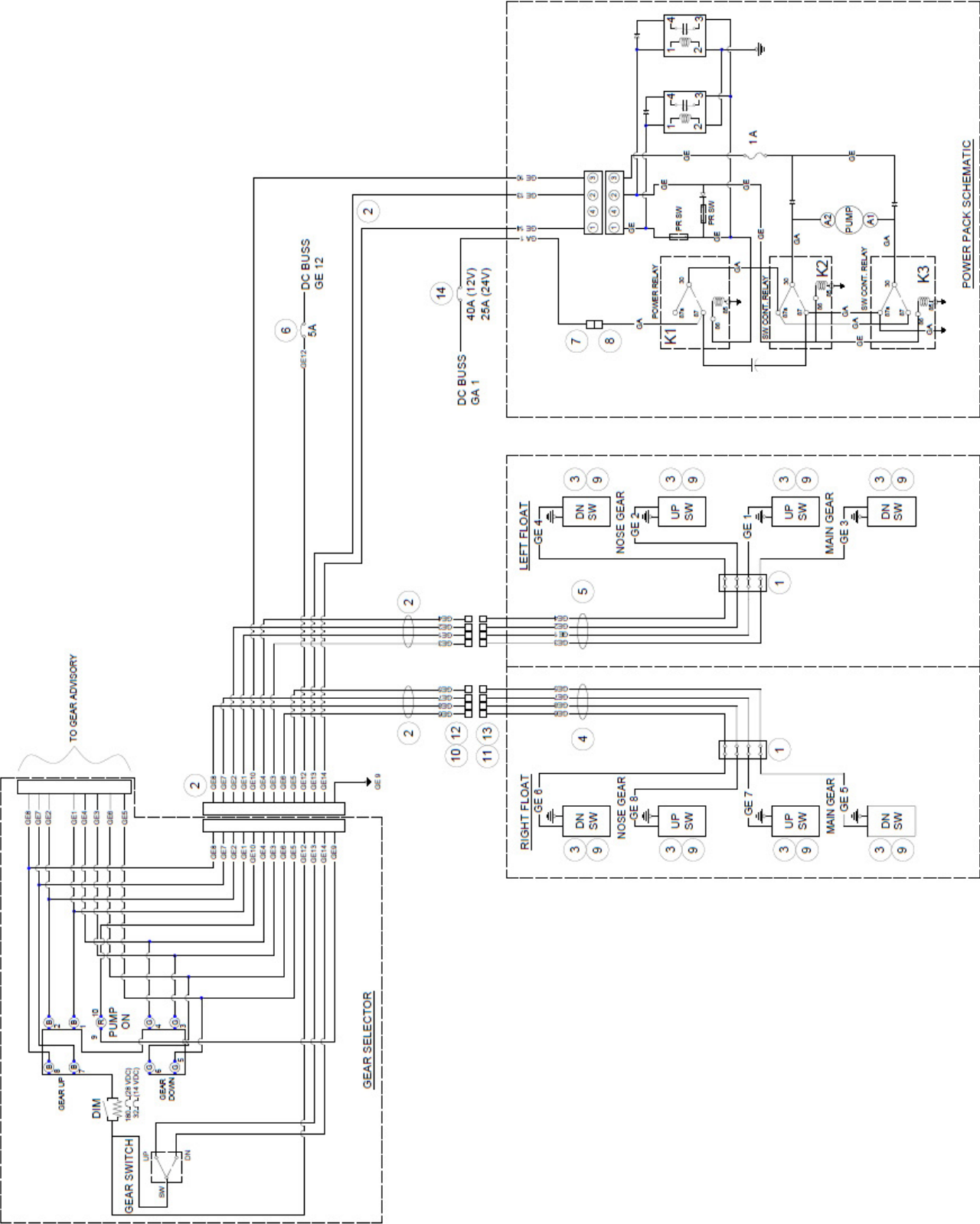
SECTION 11

ELECTRICAL

CONTENTS

| | |
|--|-----|
| ELECTRICAL SCHEMATIC POST SERVICE LETTER 228 | 120 |
| ELECTRICAL SCHEMATIC PRE SERVICE LETTER 228..... | 122 |
| GEAR CONTROL (ROUND)..... | 124 |
| GEAR CONTROL (RECTANGLE)..... | 127 |
| GEAR CONTROL (G1000 ONLY)..... | 129 |

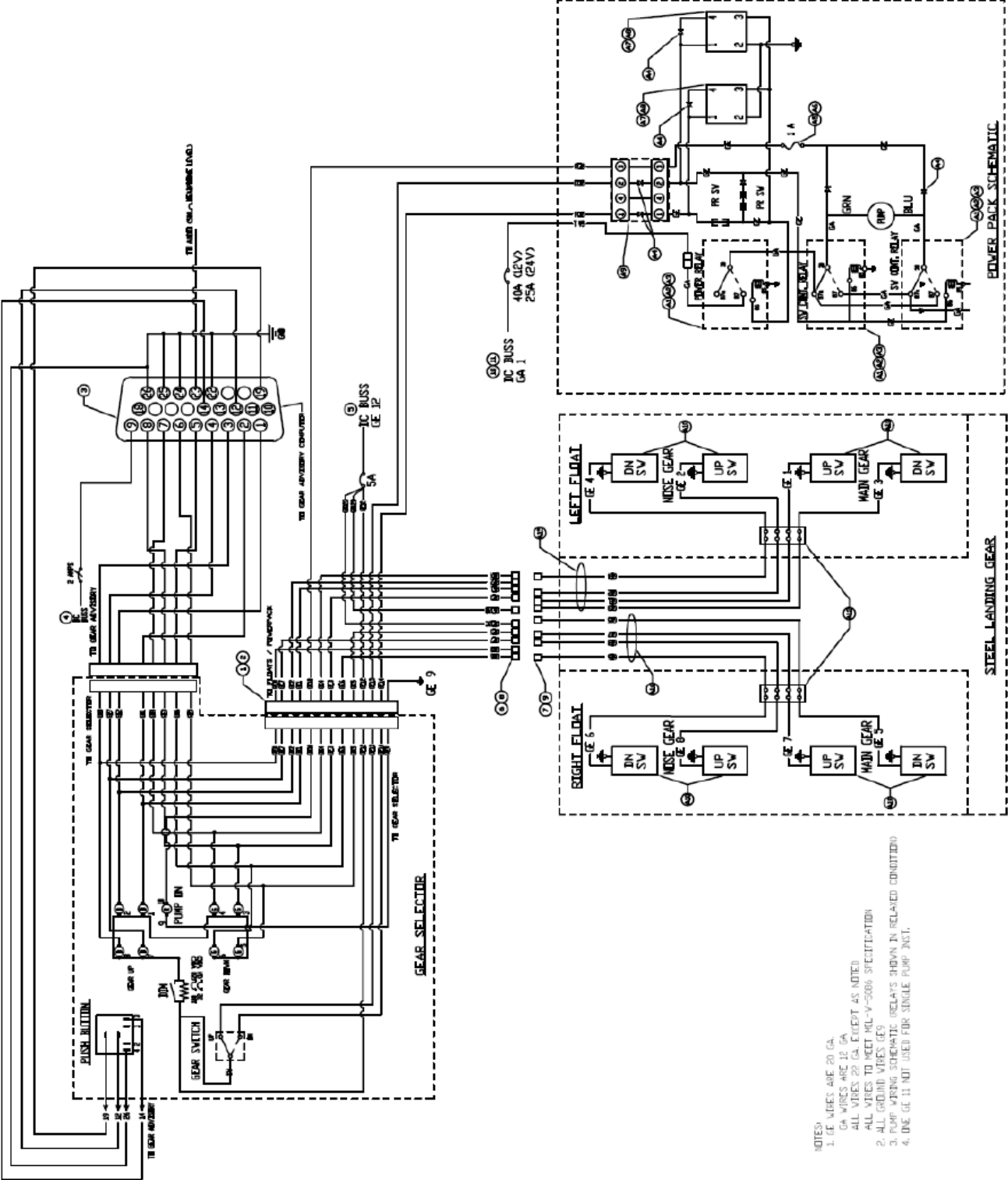
ELECTRICAL SCHEMATIC POST SERVICE LETTER 228



PARTS MANUAL
2350 FLOATS ON CESSNA 172 &175 SERIES

| ITEM | QTY | PART NO. | PART DESCRIPTION |
|------|-----|---------------|--|
| 1 | 4 | 1005724 | GEAR POSITION SWITCH, PROXIMITY, 3 WIRE |
| 2 | 4 | 1006668 | ELECTRIC WATER RUDDER RETRACT SOLENOID |
| 3 | 2 | 4-140 | TERMINAL BLOCK, 4 POSITION |
| 4 | 1 | 4A11000-012 | WIRE HARNESS, GEAR SELECTOR, FLOATS, HYD. PUMP |
| 5 | 8 | 5801 | GEAR POSITION SWITCH, PROXIMITY, MAGNETIC |
| 6 | 2 | 6-140 | TERMINAL BLOCK, 6 POSITION |
| 7 | 1 | 6A10000-004 | WIRE HARNESS, LEFT FLOAT |
| 8 | 1 | 6A10000-005 | WIRE HARNESS, RIGHT FLOAT |
| 9 | 1 | 7277-2-5 | CIRCUIT BREAKER, 5 AMP |
| 10 | 1 | 73F-250-32-NL | CONNECTOR, FEMALE, 12-10 AWG |
| 11 | 1 | 73M-250-32-NL | CONNECTOR, MALE, 12-10 AWG |
| 12 | 8 | 21A09005-262 | CLIP, GEAR POSITION SWITCH HOLDER |
| 13 | 1 | MS24523-21 | TOGGLE SWITCH, ELECTRIC WATER RUDDER RETRACT |
| 14 | 8 | S1635-1 | PIN |
| 15 | 8 | S1636-1 | SOCKET |
| 16 | 8 | S1637-1 | HOUSING |
| 17 | 8 | S1637-2 | HOUSING |
| 18 | 1 | W23-X1A1G-25 | CIRCUIT BREAKER, 25 AMP, 24VDC |
| 19 | 1 | W23-X1A1G-40 | CIRCUIT BREAKER, 40 AMP, 12VDC |

ELECTRICAL SCHEMATIC PRE SERVICE LETTER 228

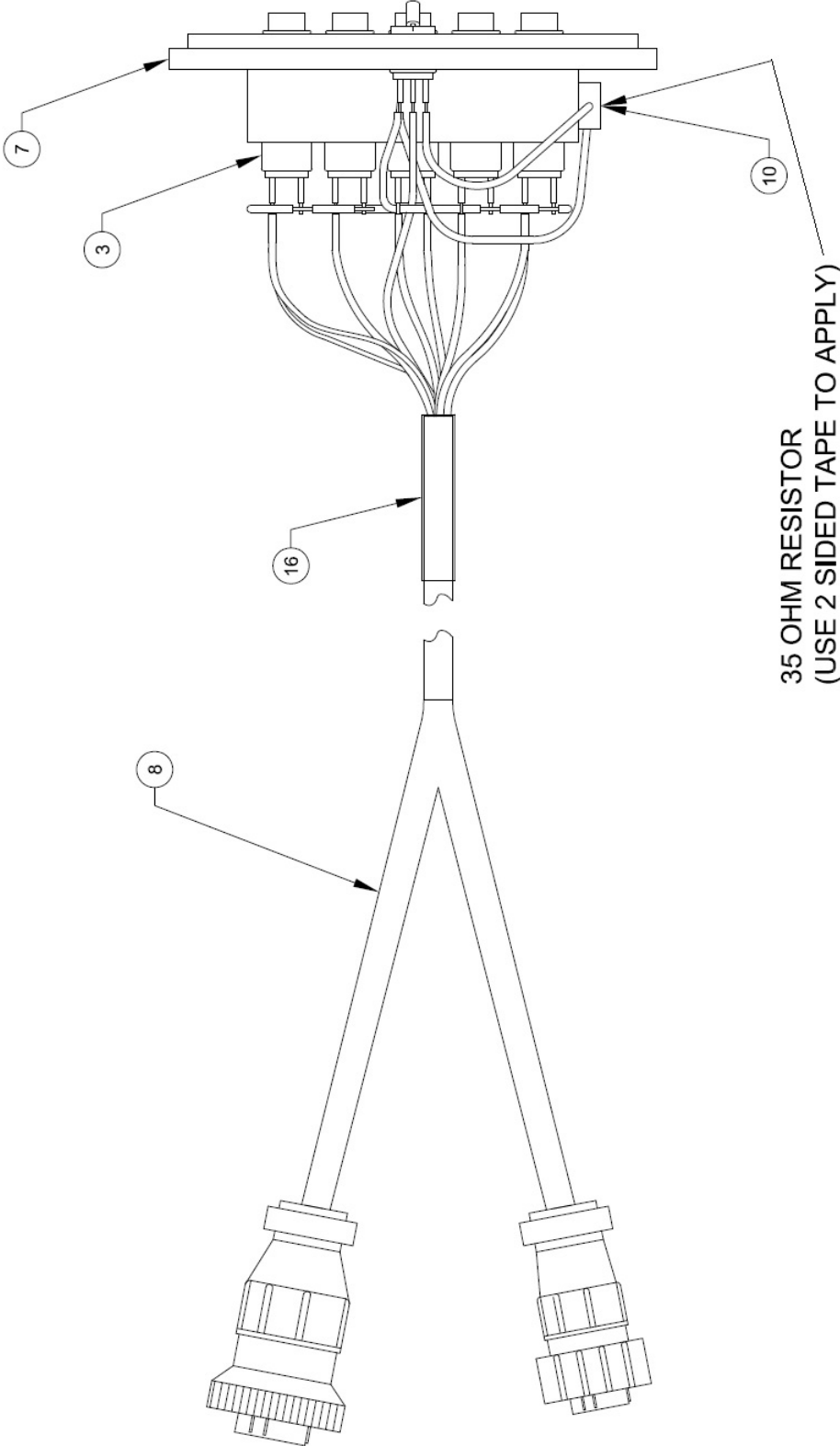


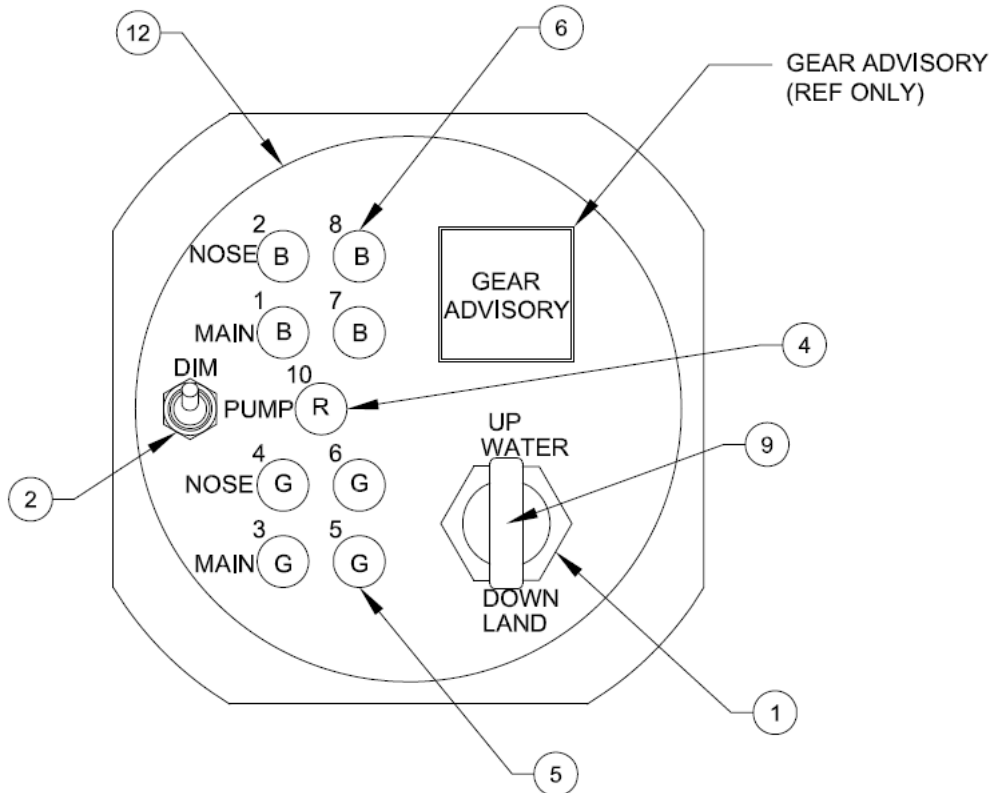
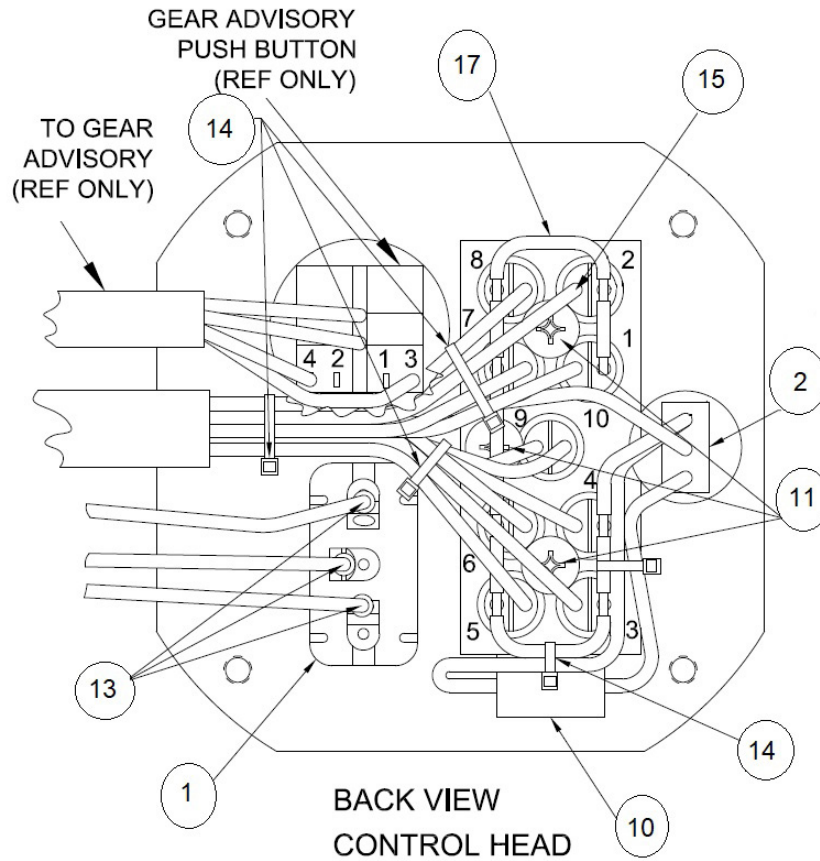
- NOTES:
- 1. CE WIRES ARE 20 GA.
 - 2. CA WIRES ARE 12 GA.
 - 3. ALL WIRES ARE 22 GA. EXCEPT AS NOTED.
 - 4. ALL WIRES TO MEET MIL-V-5006 SPECIFICATION.
 - 5. ALL GROUND WIRES ARE 18 GA.
 - 6. PUMP WIRING SCHEMATIC (RELAYS SHOWN IN RELATED CONDITION).
 - 7. DNE, CE 11 NOT USED FOR SINGLE PUMP INST.

PARTS MANUAL
2350 FLOATS ON CESSNA 172 &175 SERIES

| ITEM | QTY | PART NO. | PART DESCRIPTION |
|------|-----|----------------|-------------------------------------|
| 1 | 1 | 4A11000-011 | ASSY, WIRING HARNESS, GEAR SELECTOR |
| 3 | 1 | 4A11000-014 | ASSY, WIRING HARNESS, GEAR ADVISORY |
| 4 | 1 | 7277-2-2 | BREAKER, CIRCUIT, KLIXON, 2AMP |
| 5 | 1 | 7277-2-5 | BREAKER, CIRCUIT, KLIXON, 5AMP |
| 6 | 8 | S1635-1SF | PIN |
| 7 | 8 | S1636-1 | SOCKET |
| 8 | 8 | S1637-1 | HOUSING |
| 9 | 8 | S1637-2 | HOUSING |
| 10 | 1 | W-23- X1A1G-25 | BREAKER, CIRCUIT, 25AMP |
| 11 | 1 | W-23-X1A1G-40 | BREAKER, CIRCUIT, 40AMP |
| A1 | 3 | 0-332-209-211 | RELAY 12V |
| A2 | 3 | 0-332-209-137 | RELAY 24V |
| A3 | 3 | BR05FW' | RELAY SOCKET |
| A4 | 7 | 1N4004 | DIODE |
| A5 | 1 | AGC-1 | FUSE 1 AMP |
| A6 | 1 | 3453LF2A | FUSE HOLDER |
| A7 | 2 | 1005042 | ASSEMBLY, TIMER RELAY 12V |
| A9 | 1 | 1004949 | DIODE CABLE ADAPTOR |
| A10 | 8 | 5801 | SWITCH, 2 WIRE |
| A12 | 2 | 4-140 | ELECTRICAL TERMINAL, 4 CONNECT |
| A15 | 1 | 6A10000-004 | HARNESS W'IRE, FLOATS LT |
| A16 | 1 | 6A10000-005 | HARNESS W'IRE, FLOATS, RT |

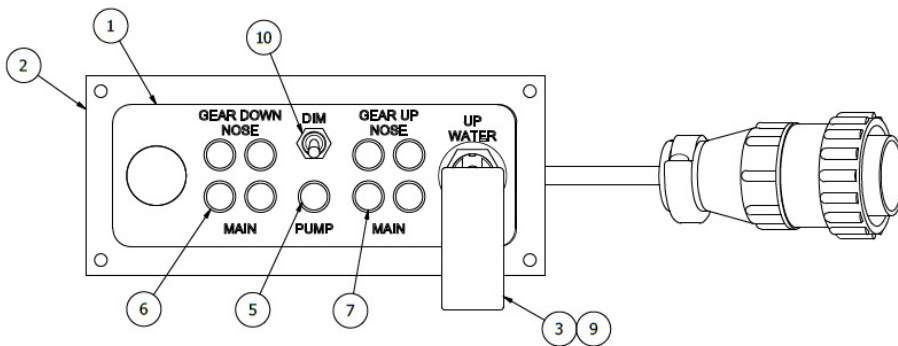
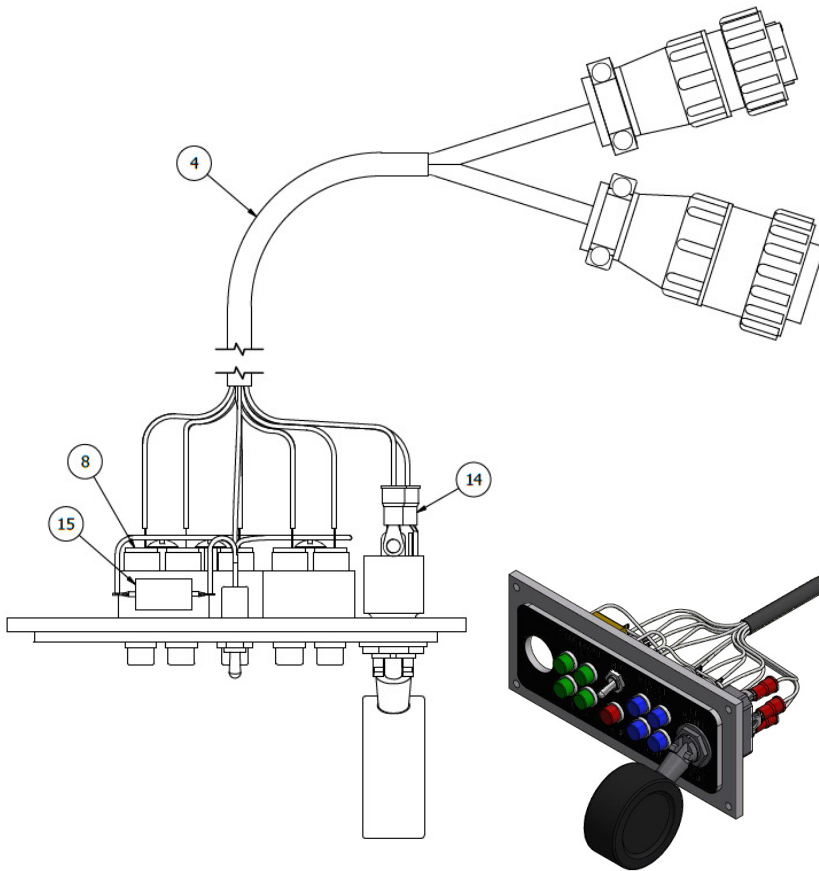
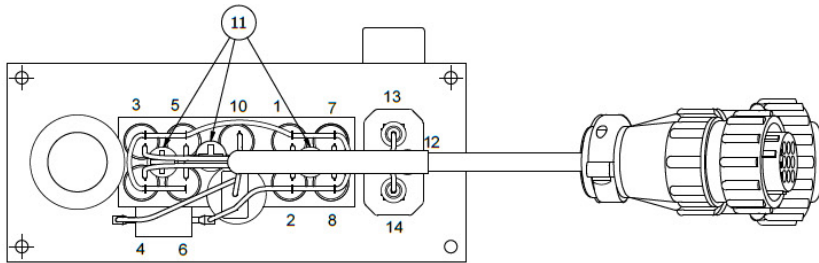
GEAR CONTROL (ROUND)





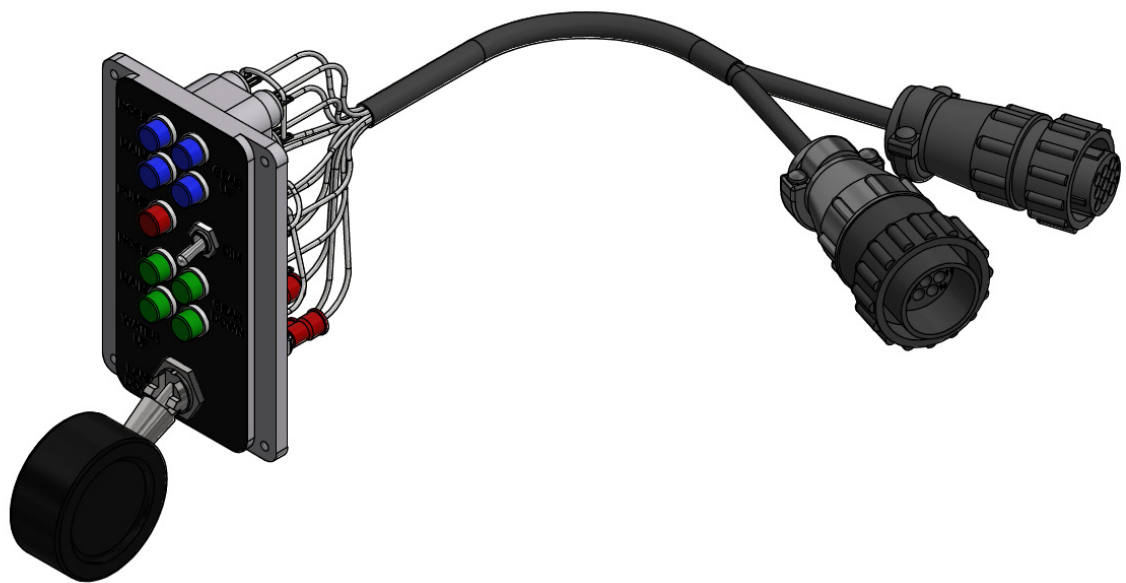
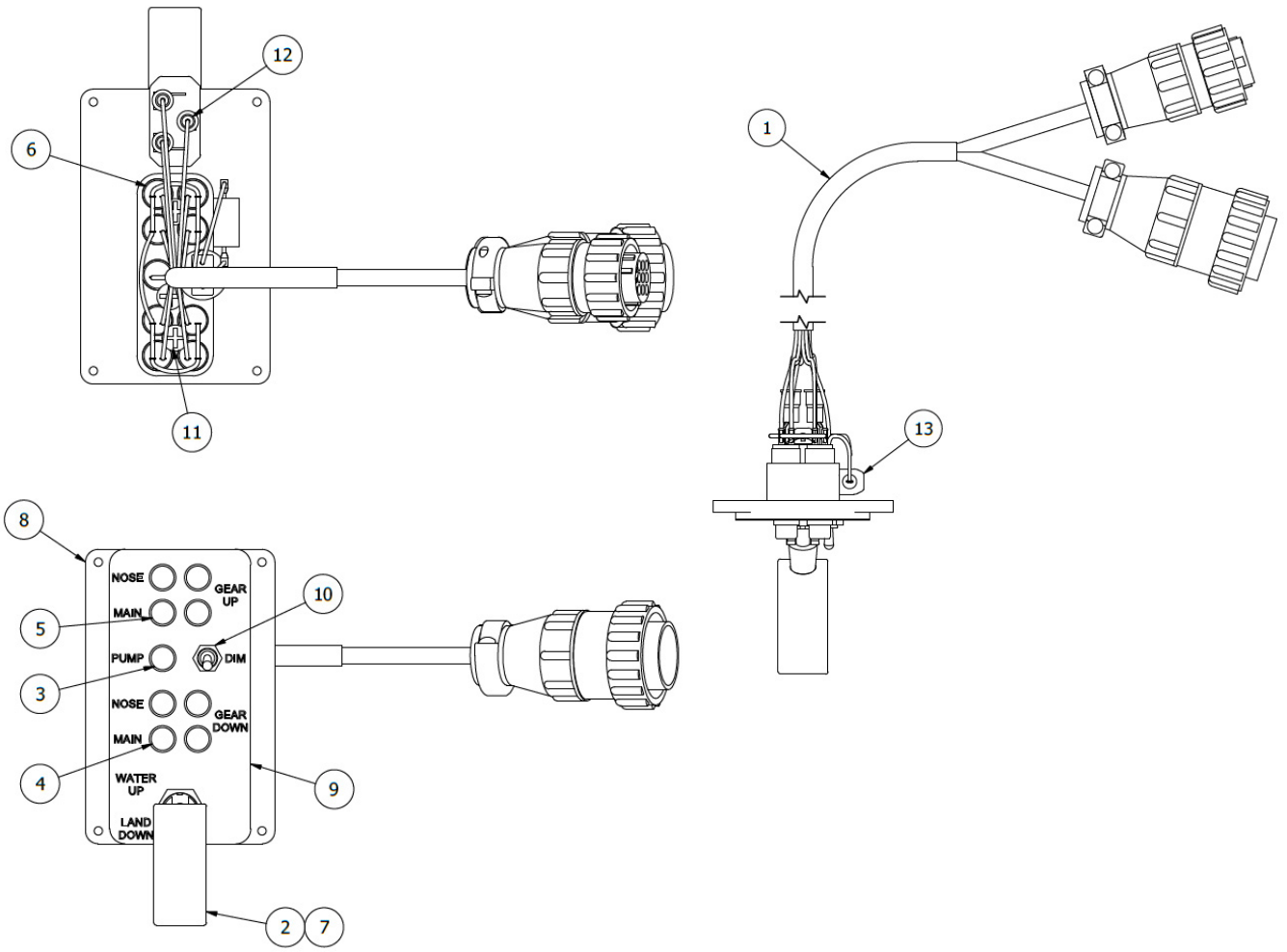
| ITEM | QTY | PART NO. | PART DESCRIPTION |
|------|-------|-------------------|-----------------------------------|
| - | 1 | 21A11000-009 | GEAR SELECTOR ASSY. ROUND (12V) |
| - | 1 | 21A11000-019 | GEAR SELECTOR ASSY. ROUND (24V) |
| 1 | 1 | 8857K44 | SWITCH |
| 2 | 1 | A101SYCB | TOGGLE SWITCH, SPDT, ON-ON |
| 3 | 9 | 515-0012 | SOCKET |
| 4 | 1 | 507-3914-1431-600 | INDICATOR LAMP, 14V, RED |
| | 1 | 507-3918-1431-600 | INDICATOR LAMP, 28V, RED |
| 5 | 4 | 507-3914-1432-600 | INDICATOR LAMP, 14V, GREEN |
| | 4 | 507-3918-1432-600 | INDICATOR LAMP, 28V, GREEN |
| 6 | 4 | 507-3914-1434-600 | INDICATOR LAMP, 14V, BLUE |
| | 4 | 507-3918-1434-600 | INDICATOR LAMP, 28V, BLUE |
| 7 | 1 | 21A11179-001 | BLOCK, GEAR CONTROL |
| 8 | 1 | 4A11000-008 | HARNESS ASSEMBLY, GEAR SELECTOR |
| 9 | 1 | 21A11259-003 | GEAR SWITCH KNOB |
| 10 | 1 | RH-5-35 | RESISTOR, 14V, DALE RH5 5W |
| | 1 | RH-5-180 | RESISTOR, 28V, DALE RH5 5W |
| 11 | 3 | AN526-632R8 | SCREW, TRUSS HEAD, 6-32 |
| 12 | 1 | 10B3-6202 | PLACARD, ROUND 2100 GEAR SELECTOR |
| 13 | 3 | R-3 | RING CONNECTOR, #6, 20 AWG, RED |
| 14 | 5 | PLT1M-M | CABLE TIE |
| 15 | 16 IN | HIXR-3/16 | SHRINK WRAP, 3/16, WHITE |
| 16 | 3 IN | HS105-1/2-0 | HEAT SHRINK TUBING |
| 17 | 6 IN | 22759-16-20-9 | WIRE, 20 AWG, WHITE |

GEAR CONTROL (RECTANGLE)



| ITEM | QTY | PART NO. | PART DESCRIPTION |
|------|-------|-------------------|---|
| - | 1 | 21A11000-010 | ASSEMBLY, INDICATOR, GEAR CONTROL, SQUARE, 12V |
| - | 1 | 21A11000-018 | GEAR SELECTOR ASSY. RECTANGLE (24V) |
| 1 | 1 | 10B3-6277 | PLACARD, GEAR CONTROL SQUARE |
| 2 | 1 | 21A11179-002 | BLOCK GEAR CONTROL SQUARE |
| 3 | 1 | 21A11259-003 | GEAR SWITCH KNOB |
| 4 | 1 | 4A11000-008 | WIRING HARNESS ASSY. SELECTOR |
| | 3 IN | HS105-1/2-0 | HEAT SHRINK TUBING |
| 5 | 1 | 5073914-1431-600 | LAMP LIGHT, RED 14V |
| | | 507-3918-1431-600 | INDICATOR LAMP, 28V, RED |
| 6 | 4 | 5073914-1432-600 | LAMP LIGHT, GREEN 14V |
| | | 507-3918-1432-600 | INDICATOR LAMP, 28V, GREEN |
| 7 | 4 | 5073914-1434-600 | LAMP LIGHT, BLUE, 14V |
| | | 507-3918-1434-600 | INDICATOR LAMP, 28V, BLUE |
| 8 | 9 | 515-0012 | SOCKET |
| 9 | 1 | 8857K44 | SWITCH |
| 10 | 1 | A101SYCB | TOGGLE SWITCH |
| 11 | 3 | AN526-632R8 | SCREW, TRUSS HEAD MACHINE, 6-32 THREAD, 1/2" LENGTH |
| 12 | 12" | HS105-3/32-0 | HEAT SHRINK, TUBING - BLACK |
| 13 | 3 | PLT1M-M | CABLE TIE, NYLON, WHITE, 4" (SMALL) |
| 14 | 3 | R-3 | TERMINAL, RING #6 STUD, 16-22 AWG, RED |
| 15 | 1 | RH-5-35 | RESISTOR, 14V, DALE RH5 5W |
| | 1 | RH-5-180 | RESISTOR, 28V, DALE RH5 5W |
| 16 | 6 IN | 22759-16-20-9 | WIRE, 20AWG, WHITE (NOT SHOWN) |
| 17 | 16 IN | HIXR-3/16 | SHRINK WRAP, 3/16, WHITE (NOT SHOWN) |

GEAR CONTROL (G1000 ONLY)



| ITEM | QTY | PART NO. | PART DESCRIPTION |
|------|-----|-------------------|--|
| - | 1 | 1001431 | ASSEMBLY, INDICATOR, GEAR CONTROL, G1000 |
| 1 | 1 | 4A11000-008 | ASSEMBLY, WIRE HARNESS |
| 2 | 1 | 21A11259-003 | GEAR SWITCH KNOB |
| 3 | 1 | 507-3918-1431-600 | INDICATOR LAMP, 28V, RED |
| 4 | 4 | 507-3918-1432-600 | INDICATOR LAMP, 28V, GRN |
| 5 | 4 | 507-3918-1434-600 | INDICATOR LAMP, 28V, BLU |
| 6 | 9 | 515-0012 | SOCKET, GEAR SELECTOR LIGHTS |
| 7 | 1 | 8857K44 | SWITCH, GEAR SELECTOR, 2100/7000 |
| 8 | 1 | 1001172 | BLOCK, GEAR CONTROL, GLASS PANEL |
| 9 | 1 | 1001173 | PLACARD, GEAR CONTROL, GLASS PANEL |
| 10 | 1 | A101SYCB | TOGGLE SWITCH, SPDT, ON ON |
| 11 | 3 | AN526-632R6 | SCREW, MACHINE, TRUSS HEAD |
| 12 | 3 | MS25036-102 | RING TERMINAL, #6 STUD, 16-22 AWG, RED |
| 13 | 1 | RH005180R0FE02 | RESISTOR, 28V |