



WIPLINE FLOATS | MODIFICATIONS | AIRCRAFT SALES
AVIONICS | INTERIORS | MAINTENANCE | PAINT



**PARTS MANUAL
FOR
WIPLINE MODEL 3450 FLOATS
ON
CESSNA 185**

Revision R

Wipaire | Fire Boss | Lake & Air
1700 Henry Ave – Fleming Field (KSGS), South St. Paul, MN 55075
651.451.1205 info@wipaire.com wipaire.com

THIS PAGE INTENTIONALLY LEFT BLANK

LOG OF REVISIONS

| Revision | Pages Affected | Description | Date |
|----------|--|---|-----------|
| A-K | All | For previous revision changes, reference Parts Manual for 3450 Floats on Cessna 185, Revision K, part number 1002173. | 5/26/2021 |
| L | 77, 81, 85 | Changed 010-026 Seal to 471570 Seal, Timken. Updated part 30A05558-001 and added 1005973 in Main Gear Installation and Main Gear Hydraulic Installation sections. Added note for 1002573. | 4/22/2022 |
| M | All | Added image and parts list for Main Gear Without Wheel Pivot Assembly For Float Serial Numbers 34315A & 34316A And Later section. Added image and parts list for Main Gear With Wheel Pivot Assembly For Float Serial Numbers 34315A & 34316A And Later section. Updated Pump Out Cup and Valve image and parts. Updated parts list in Main Gear Wheel Assembly section. | 1/25/2023 |
| N | 63 | Changed Spring, Water Rudder Retract 3A08525-001 to 4A08525-004 in Water Rudder Installation section. | 7/10/2023 |
| P | 33 | Changed Cover 21A01004-101 to 21A01158-163 in Wheel Well Assembly section. | 1/2/2024 |
| R | 26, 39, 41-44, 81, 83, 85, 91-94, 100-102, 125-127, 135, 137 | Updated Bulkhead 15 part 34A01000-356 image and parts list. Removed Bracket, Canoe Paddle Stop, LH 6A01156-059, Bracket, Canoe Paddle Stop, RH 6A01156-058, Canoe Paddle 5 ft Beaver Brand 0238-0050, Canoe Paddle Bracket 3A01158-093, and Paddle Clip 3A01503-001 from Bottom Skins & Doublers section. Added Grommet MS35489-31 and Grommet MS35489-4 to Right and Left Float Side Skin Sections. Added Canoe Paddle section image and parts list. Changed Bolt AN-16A to AN6-16A and changed 59915K273 to 59915K274 and changed 59915K483 to 59915K484 in Main Gear Assembly. Updated Arm Retract Assemblies 30A05000-039 and 30A05000-040 in Main Gear Installation section and Main Gear Hydraulic Installation section. Removed 21A05000-016 Right Arm Retract Weldment. Added note and updated parts 1005369 and 1005370 and descriptions in Main Gear Without Wheel Pivot Assembly. Updated parts in Main Gear Retraction section. Updated image and parts list in Main Gear Rotary Actuator Assembly. Updated image and parts list in Hydraulic Pump Schematic. Corrected bulb part numbers in gear control indicator assemblies. | 9/17/2025 |

View most current version of parts manual at www.wipaire.com.

THIS PAGE INTENTIONALLY LEFT BLANK

TABLE OF CONTENTS

| | |
|--|-----|
| FLOAT PART SALES DEPARTMENT OPERATIONS | 6 |
| INTRODUCTION | 7 |
| SECTION 1 HULL BULKHEAD ASSEMBLIES | 9 |
| SECTION 2 WHEEL WELL ASSEMBLY | 29 |
| SECTION 3 SKINS, STIFFENERS, & CANOE PADDLE | 35 |
| SECTION 4 TOP DECK ASSEMBLY | 45 |
| SECTION 5 EXTRUSIONS | 53 |
| SECTION 6 PUMPER TUBE INSTALLATION | 59 |
| SECTION 7 WATER RUDDER, STEERING, AND RETRACT CABLES | 61 |
| SECTION 8 LANDING GEAR | 71 |
| SECTION 9 STRUTS, WIRES, STEPS, AND SPREADER BARS | 103 |
| SECTION 10 HYDRAULIC SYSTEM | 109 |
| SECTION 11 ELECTRICAL | 129 |

FLOAT PART SALES DEPARTMENT OPERATIONS

Parts Sales:

Wipaire, Inc.

1700 Henry Avenue – Fleming Field

South St. Paul, MN 55075

Telephone: (651) 306-0459

Fax: (651)-306-0666

Website: www.wipaire.com

Email: customerservice@wipaire.com

Note: Any information not found in this manual for strut package parts and other installation items refer to the installation drawing package provided with the STC at the time of float installation. Additional drawing copies are available for purchase through the Wipaire Customer Service Department.

Parts Ordering

Purchase orders should include:

1. Purchase order number
2. Name of person placing order
3. Invoicing information:
 - a. Customer name - company or individual
 - b. Address
 - c. Phone and fax number
4. Shipping information:
 - a. Address (if different from invoice address)
 - b. Method of shipment/preferred carrier
5. Aircraft model, float model, and serial numbers
6. Wipaire part number; name; type, e.g. left or right; quantity
7. Payment method: VISA, MasterCard, C.O.D. (Collect on Delivery) (U.S. customers only), pre-payment by check or wire transfer, open account (see Credit Policy)

INTRODUCTION

All references in this manual to LEFT and RIGHT are from the perspective of the pilot's seat with the floats fully installed and ready for floatplane operation.

The following is a list of abbreviations that may appear in the description nomenclature fields of this manual:

| | | | |
|---------|-------------|--------|---------------|
| AB | Afterbody | Inbd. | Inboard |
| Amphib. | Amphibious | Lg. | Large |
| AR | As Required | Lt. | Left |
| Assy. | Assembly | Lwr. | Lower |
| Brkt. | Bracket | Opt. | Optional |
| Btm. | Bottom | Otbd. | Outboard |
| Bulk. | Bulkhead | Reinf. | Reinforcement |
| Ctr. | Center | Rr. | Rear |
| Cyl. | Cylinder | Rt. | Right |
| Ft. | Front | Sm. | Small |
| Ftg. | Fitting | SN | Serial Number |
| Fus. | Fuselage | Spr. | Spreader |
| Fwd | Forward | Upr. | Upper |
| Horiz. | Horizontal | Vert. | Vertical |
| Hyd. | Hydraulic | W.W. | Wheel Well |

USING THIS PARTS MANUAL

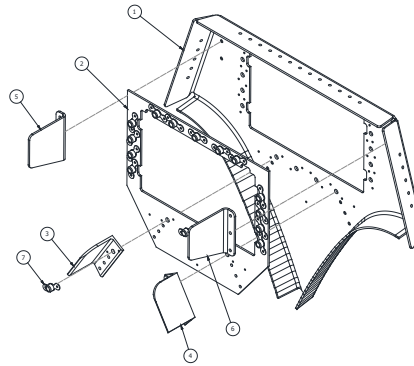
COVERAGE

Parts information is provided in this manual for the hulls and all "deck down" parts. For information on strut package parts and other aircraft installation items, refer to the installation drawing package provided with the STC at the time of float installation. Additional drawing copies are available for purchase through Wipaire Customer Service Department.

Name of main part in the section. Example: This part is showing the components made up in Bulkhead #1.

BULKHEAD #1

Main part image. If the image has numbers associated with it, then those numbers are item numbers shown in the table below.



Items with a (-) instead of a number represent the main part as an assembly. Other parts represent the parts included in the assembly.

| ITEM | QTY | PART NO. | PART DESCRIPTION |
|------|-----|--------------|---------------------------------------|
| - | 1 | 1008815 | ASSEMBLY BULKHEAD #1, 10000 |
| 1 | 1 | 1008797 | PANEL, BULKHEAD #1 |
| 2 | 1 | 13A01156-085 | DOUBLER #1 BULKHEAD |
| 3 | 1 | 13A01357-049 | CLEAT, SISTER KEEL ATTACH #1 BULKHEAD |
| 4 | 1 | 13A01357-050 | CLEAT, SISTER KEEL ATTACH #1 BULKHEAD |
| 5 | 1 | 6A01156-054 | ANGLE – TOP RAIL |
| 6 | 1 | 6A01156-055 | ANGLE – TOP RAIL |
| 7 | 17 | MS21047L4 | NUT PLATE, SELF LOCKING |

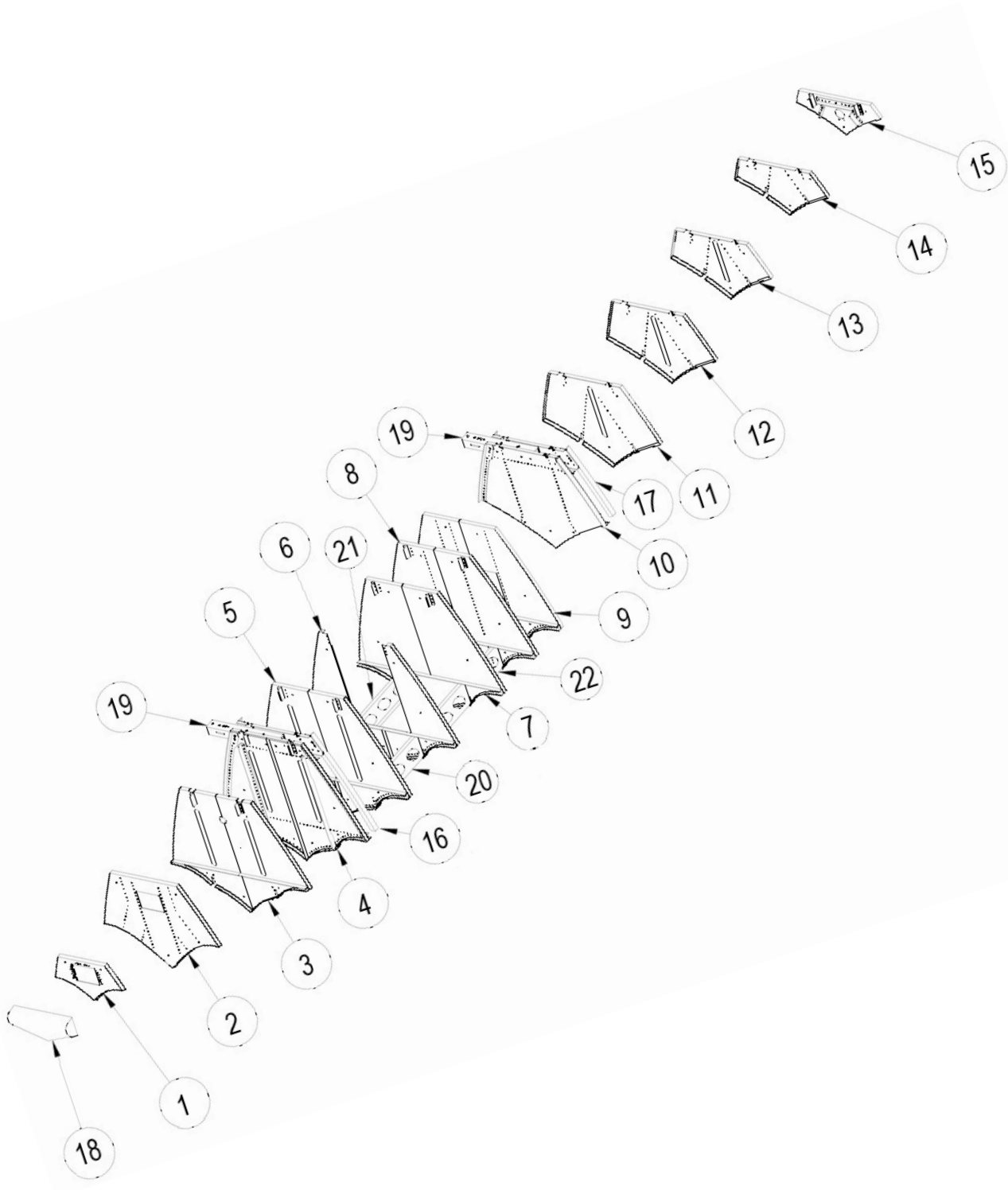
To order an individual part, order the part number associated with item number.

SECTION 1 HULL BULKHEAD ASSEMBLIES

CONTENTS

| | |
|---------------------|----|
| HULL ASSEMBLY | 10 |
| BULKHEAD #1 | 13 |
| BULKHEAD #3 | 14 |
| BULKHEAD #4 | 15 |
| BULKHEAD #5 | 16 |
| BULKHEAD #6 | 17 |
| BULKHEAD #7 | 18 |
| BULKHEAD #8 | 19 |
| BULKHEAD #8 | 20 |
| BULKHEAD #9 | 21 |
| BULKHEAD #10 | 22 |
| BULKHEAD #11 | 23 |
| BULKHEAD #12 | 24 |
| BULKHEAD #13 | 25 |
| BULKHEAD #15 | 26 |
| BULKHEAD #16 | 27 |

HULL ASSEMBLY

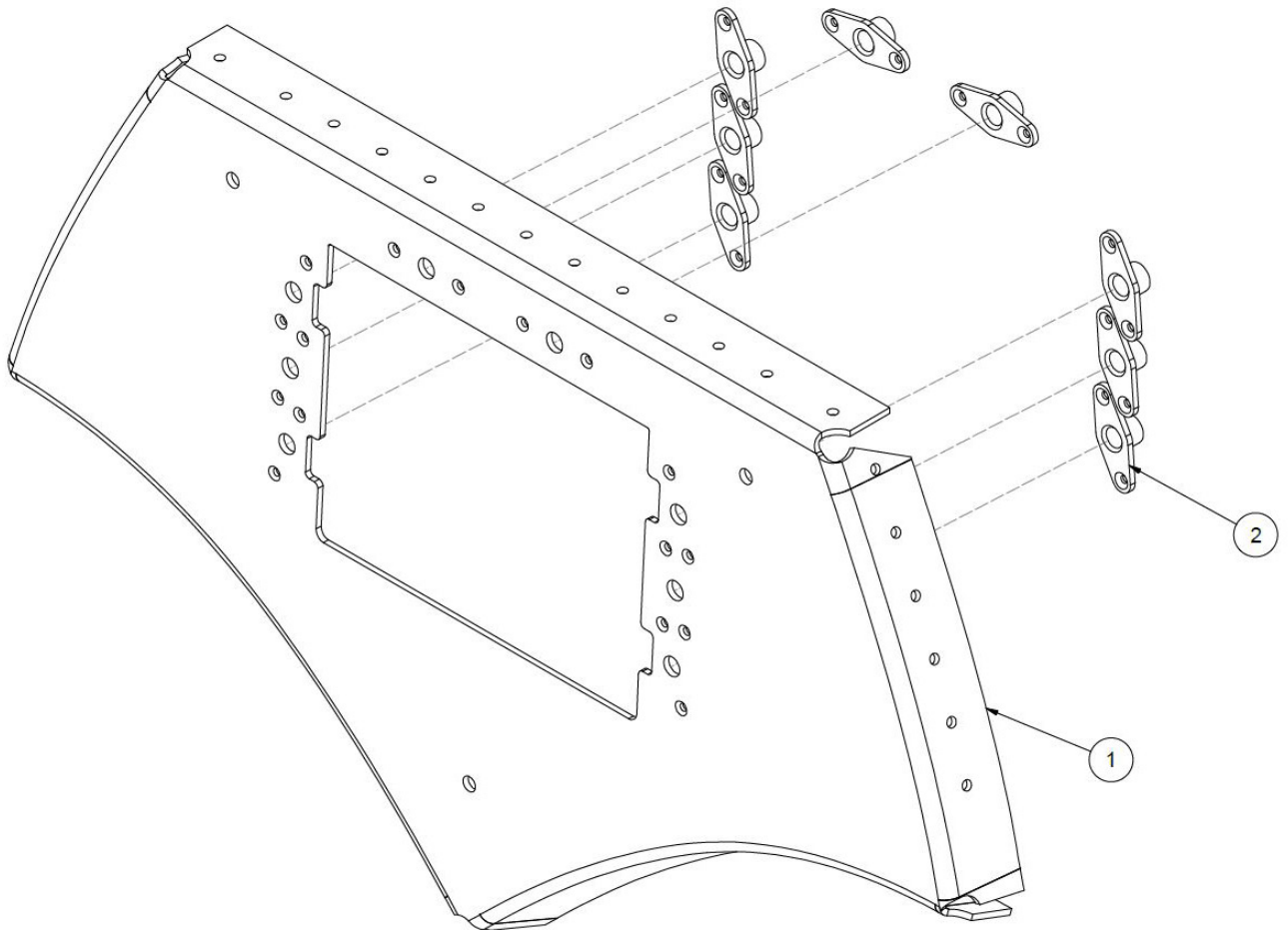


PARTS MANUAL
3450 FLOATS ON CESSNA 185

| ITEM | QTY | PART NO. | PART DESCRIPTION |
|------|-----|---------------|---------------------------------------|
| 1 | 1 | 30A01000-329 | ASSEMBLY, BULKHEAD 1, NOSE |
| 2 | 1 | 30A01000-330 | ASSEMBLY, BULKHEAD 3 |
| 3 | 1 | 30A01000-331 | ASSEMBLY, BULKHEAD 4 |
| 4 | 1 | 30A01000-336 | ASSEMBLY, BULKHEAD 5 |
| 5 | 1 | 30A01000-332 | ASSEMBLY, BULKHEAD 6 |
| 6 | 1 | 30A01000-333 | ASSEMBLY, BULKHEAD 7 |
| 7 | 1 | 34A01000-357 | ASSEMBLY, BULKHEAD 8 |
| 8 | 1 | 1004914 | ASSEMBLY, BULKHEAD 8, COMP |
| 9 | 1 | 1004888 | ASSEMBLY, BULKHEAD 9 |
| 10 | 1 | 30A01000-339 | ASSEMBLY, BULKHEAD 10 |
| 11 | 1 | 30A01000-340 | ASSEMBLY, BULKHEAD 11 |
| 12 | 1 | 30A01000-341 | ASSEMBLY, BULKHEAD 12 |
| 13 | 1 | 30A01000-342 | ASSEMBLY, BULKHEAD 13 |
| 14 | 1 | 34A01000-356 | ASSEMBLY, BULKHEAD 15 |
| 15 | 1 | 34A01000-355 | ASSEMBLY, BULKHEAD 16 |
| 16 | 1 | 30A01000-354 | PANEL SPREADER BAR FWD. ASSY. |
| | 1 | 30A01155-031 | PANEL – SPR. BAR |
| | 1 | 30A01352-039 | ANGLE – SIDE L. |
| | 1 | 30A01352-040 | ANGLE – SIDE R. |
| | 2 | 6A01359-004 | ANGLE |
| | 1 | AN4-5A | BOLT |
| | 1 | NAS1149F0463P | WASHER |
| | 1 | MS21044N4 | NUT |
| 17 | 1 | 30A01000-353 | PANEL SPREADER BAR AFT. ASSY. |
| | 1 | 30A01155-031 | PANEL – SPR. BAR |
| | 1 | 30A01352-033 | ANGLE – SIDE L. |
| | 1 | 30A01352-034 | ANGLE – SIDE R. |
| | 2 | 30A01156-125 | ANGLE |
| | 1 | AN4-5A | BOLT |
| | 1 | NAS1149F0463P | WASHER |
| | 1 | MS21044N4 | NUT |
| 18 | 1 | 30A01000-365 | NOSE BUMPER (AMPHIBIAN) |
| | 1 | 30S01739-001 | NOSE BUMPER (SEAPLANE) |
| | 2 | 30A01359-225 | ANGLE, ATTACH NOSE BUMPER (AMPHIBIAN) |
| | 1 | 30S01326-034 | ANGLE (SEAPLANE) |
| | 2 | AN526-1032R10 | SCREW (SEAPLANE) |
| 19 | 1 | 30A03319-001 | TUBE – SPR. BAR MOUNTING R. |
| | 1 | 30A03319-002 | TUBE – SPR. BAR MOUNTING L. |
| | 6 | AN5-24A | BOLT |
| | 6 | NAS1149D0532J | WASHER |
| | 12 | NAS1149D0563J | WASHER |

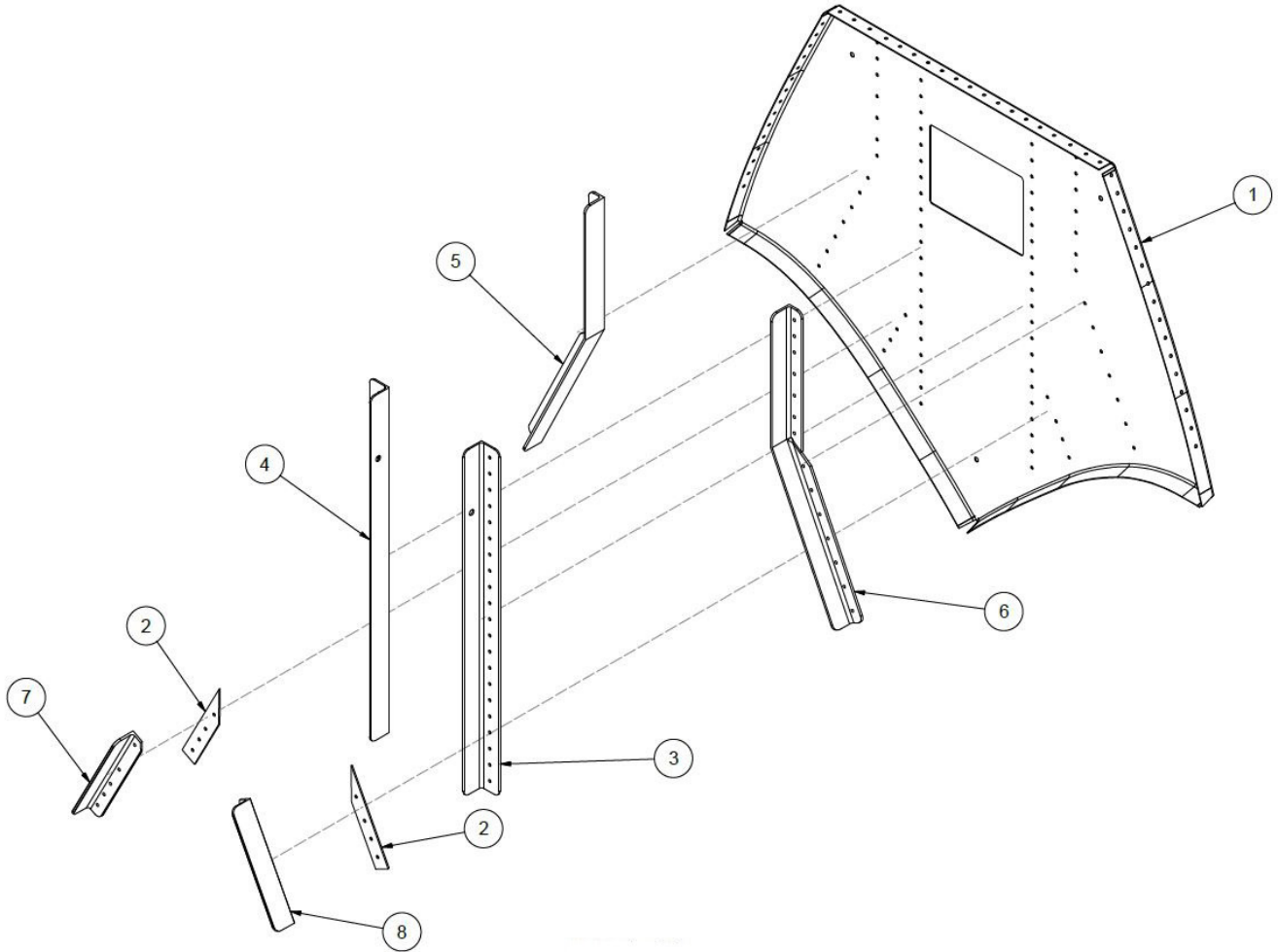
| ITEM | QTY | PART NO. | PART DESCRIPTION |
|------|-----|--------------|------------------------------------|
| | 6 | MS21044N5 | NUT |
| 20 | 2 | 34A01005-385 | BAGGAGE REINFORCEMENT |
| | 4 | 34A01340-173 | ANGLE |
| | 4 | 34A01340-174 | ANGLE |
| 21 | 2 | 34A01005-384 | BAGGAGE REINFORCEMENT |
| | 4 | 34A01340-173 | ANGLE |
| | 4 | 34A01340-174 | ANGLE |
| 22 | 2 | 34A01005-383 | BAGGAGE REINFORCEMENT |
| | 4 | 34A01340-173 | ANGLE |
| | 4 | 34A01340-174 | ANGLE |
| 23 | 1 | 34A01162-049 | GUNWALL CAP (OUTBRD L) (NOT SHOWN) |
| | 1 | 34A01162-050 | GUNWALL CAP (OUTBRD R) (NOT SHOWN) |

BULKHEAD #1



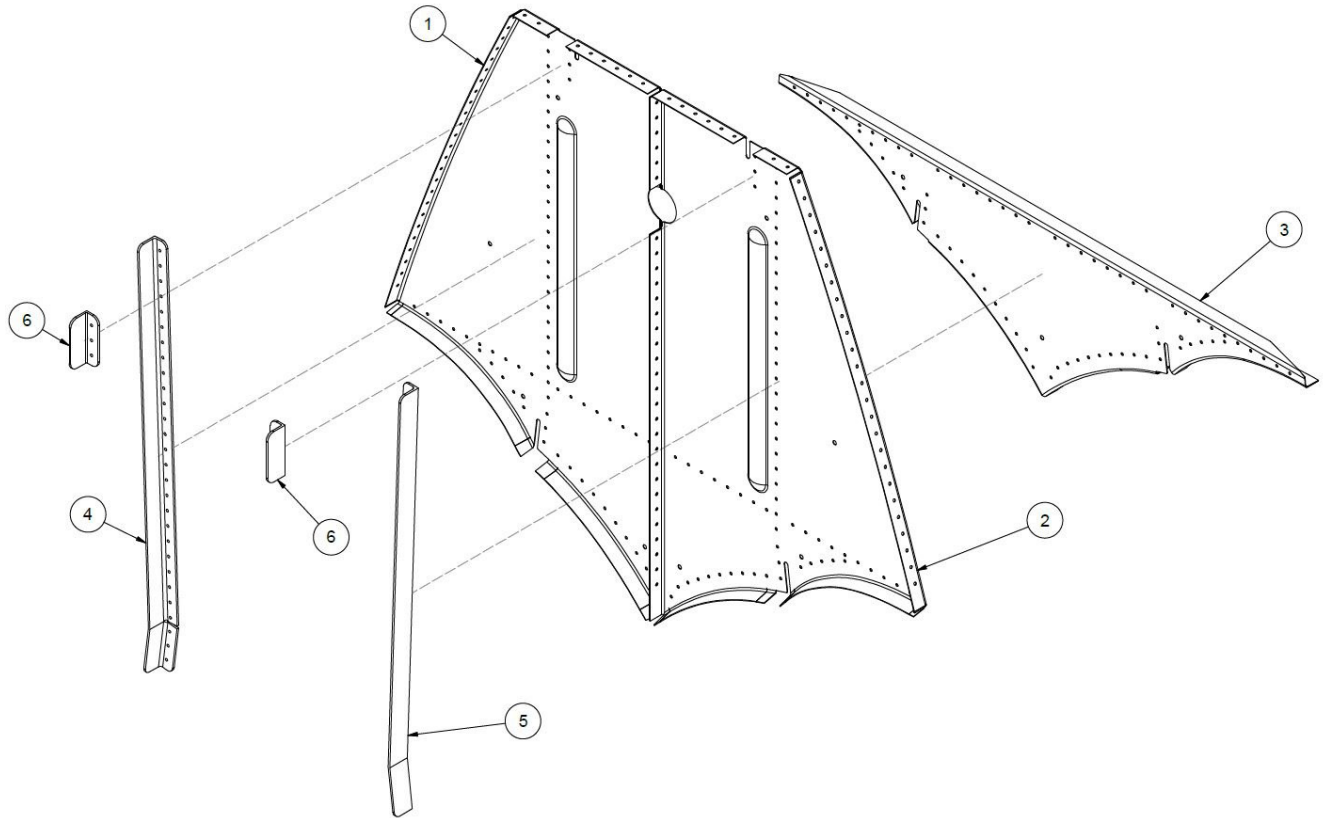
| ITEM | QTY | PART NO. | PART DESCRIPTION |
|------|-----|--------------|---------------------------------------|
| - | 1 | 30A01000-329 | ASSEMBLY, BULKHEAD, NOSE |
| 1 | 1 | 30A01155-029 | BULKHEAD #1 |
| 2 | 8 | MS21078-4 | NUT PLATE |
| 3 | 1 | 30S01158-263 | COVER – BULKHEAD SEAPLANE (NOT SHOWN) |

BULKHEAD #3



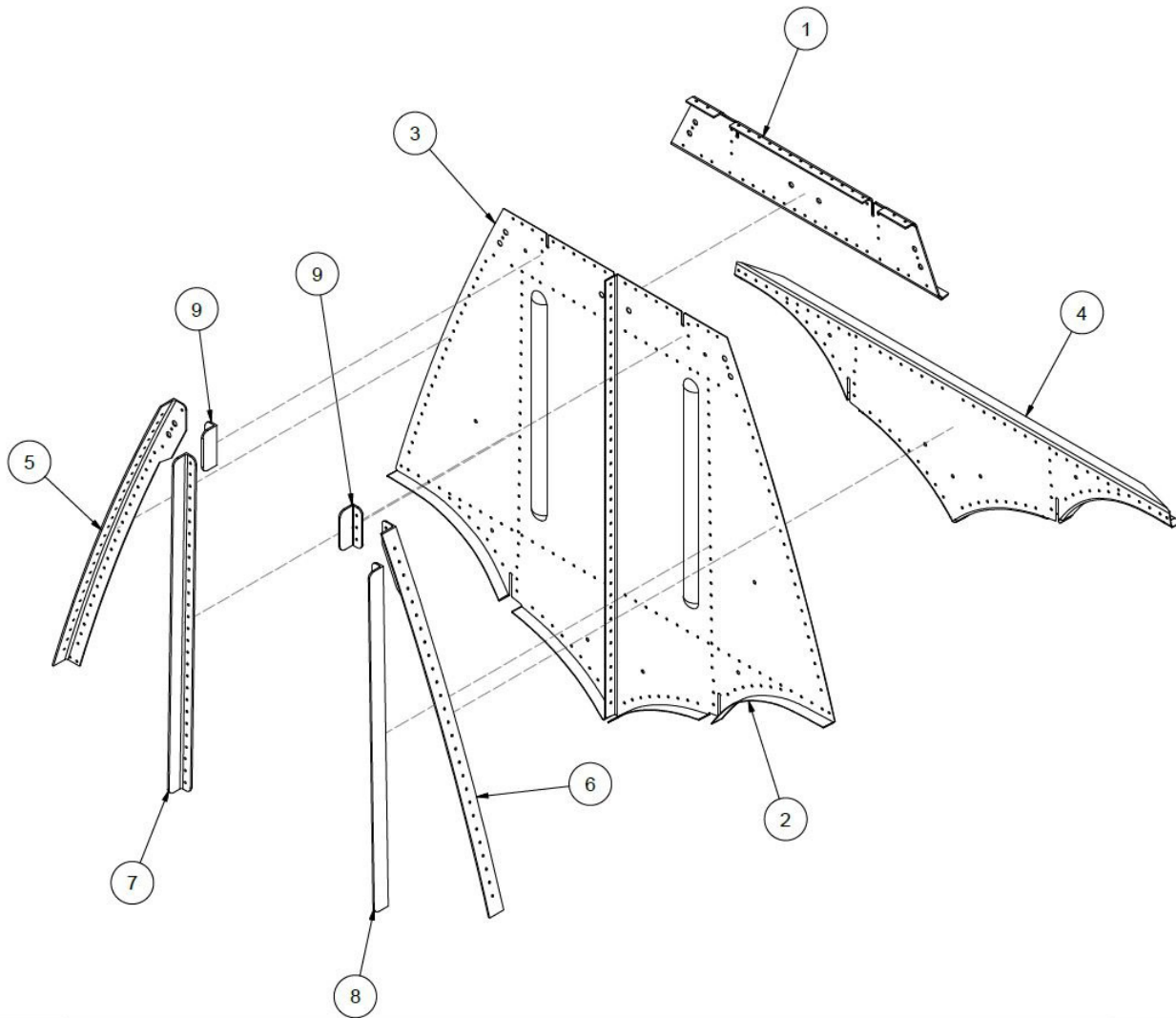
| ITEM | QTY | PART NO. | PART DESCRIPTION |
|------|-----|--------------|---------------------------------------|
| - | 1 | 30A01000-330 | ASSEMBLY, BULKHEAD 3 |
| 1 | 1 | 30A01158-208 | PANEL, BULKHEAD 3 |
| 2 | 2 | 30A01163-072 | ANGLE, SHIM, BULKHEAD #3 |
| 3 | 1 | 30A01326-020 | ANGLE, NOSE BOX, BULK 3 |
| 4 | 1 | 30A01326-021 | ANGLE NOSE BOX, BULK #3 |
| 5 | 1 | 30A01359-211 | ANGLE, BULKHEAD 3 |
| 6 | 1 | 30A01359-212 | ANGLE, BULKHEAD 3 |
| 7 | 1 | 30A01359-213 | ANGLE, BULKHEAD 3 |
| 8 | 1 | 30A01359-214 | ANGLE, BULKHEAD 3 |
| 9 | 1 | 30S01158-264 | COVER – BULKHEAD SEAPLANE (NOT SHOWN) |

BULKHEAD #4



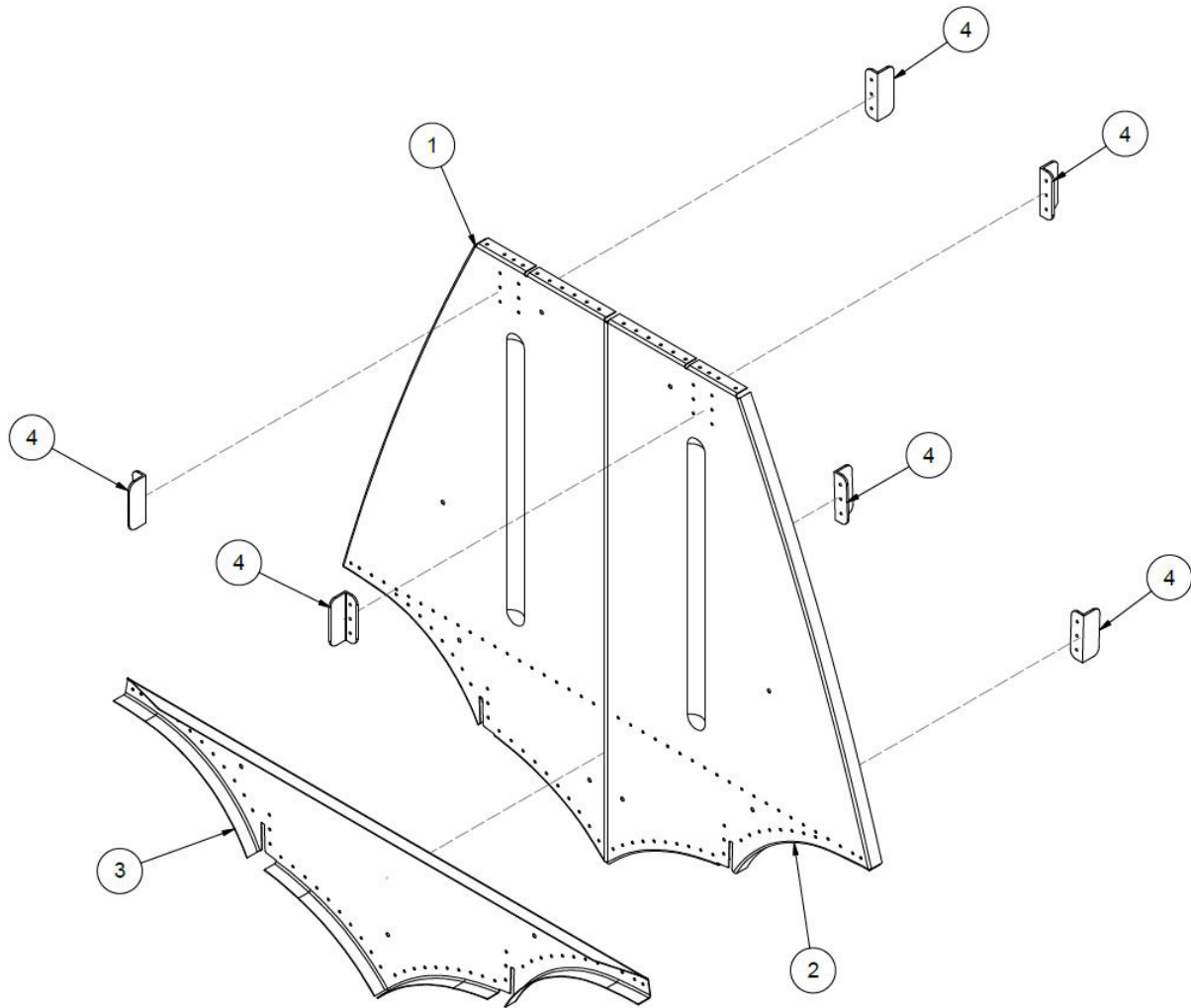
| ITEM | QTY | PART NO. | PART DESCRIPTION |
|------|-----|--------------|-------------------------|
| - | 1 | 30A01000-331 | ASSEMBLY, BULKHEAD 4 |
| 1 | 1 | 30A01158-209 | BULKHEAD #4, LH |
| 2 | 1 | 30A01158-210 | BULKHEAD #4, RH |
| 3 | 1 | 30A01158-222 | SUPPORT - BULKHEAD #4 |
| 4 | 1 | 30A01359-223 | ANGLE, BULKHEAD #4, RH |
| 5 | 1 | 30A01359-224 | ANGLE, BULKHEAD #4, LT |
| 6 | 2 | 6A01359-004 | ANGLE, ATTACH, TOP RAIL |

BULKHEAD #5



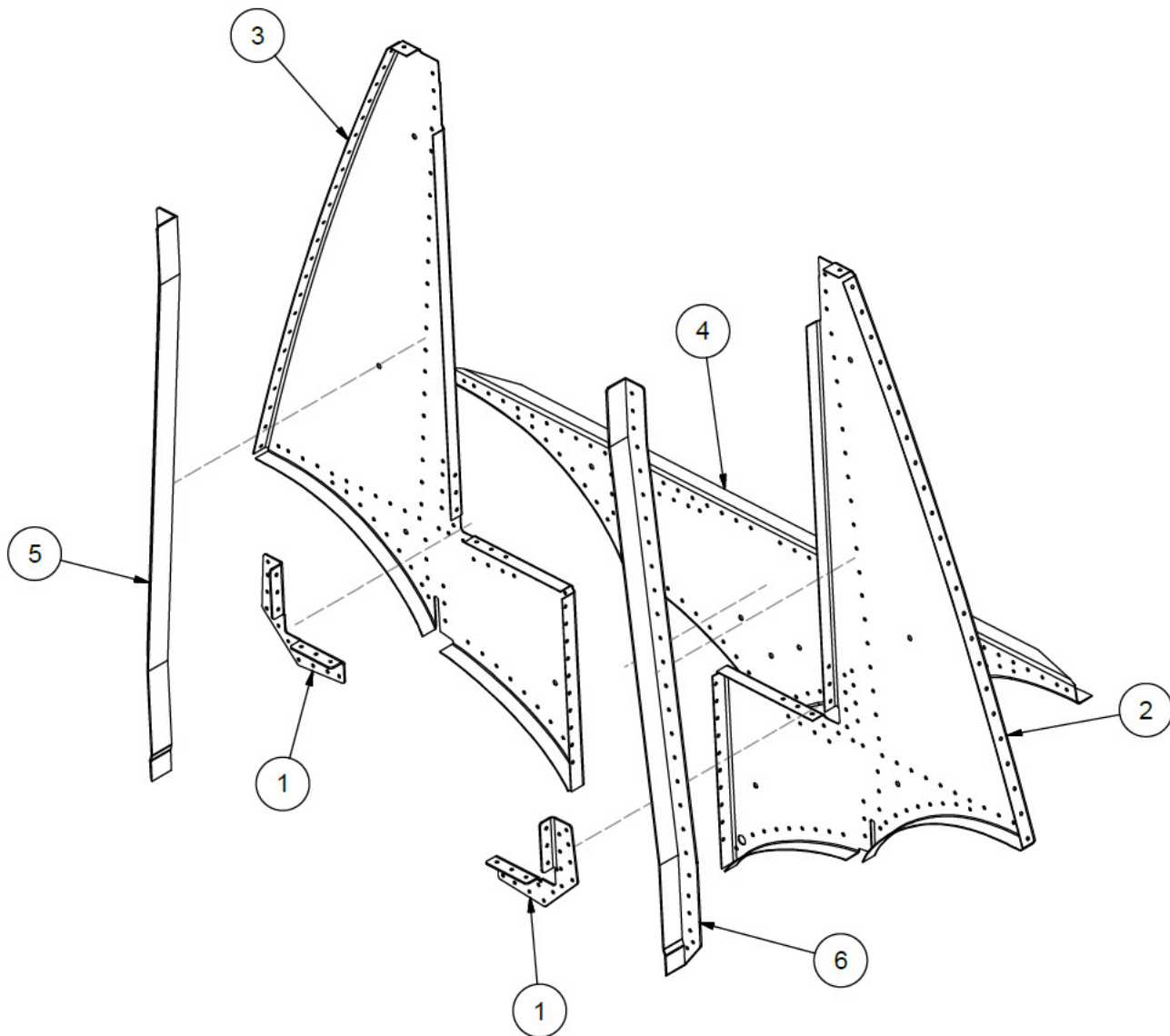
| ITEM | QTY | PART NO. | PART DESCRIPTION |
|------|-----|--------------|--------------------------------|
| - | 1 | 30A01000-336 | ASSEMBLY, BULKHEAD 5 |
| 1 | 1 | 30A01155-032 | PANEL, SPREADER BAR, BH 5 & 10 |
| 2 | 1 | 30A01158-211 | BULKHEAD #5 - LH - FORMED |
| 3 | 1 | 30A01158-212 | BULKHEAD #5 - RH - FORMED |
| 4 | 1 | 30A01158-223 | SUPPORT - BULKHEAD #5 |
| 5 | 1 | 30A01352-037 | ANGLE, SIDE, BULKHEAD 5 |
| 6 | 1 | 30A01352-038 | ANGLE, SIDE, BULKHEAD 5 |
| 7 | 1 | 30A01359-221 | ANGLE, BULKHEAD STN. #5 |
| 8 | 1 | 30A01359-222 | ANGLE, BULKHEAD STN. #5 |
| 9 | 2 | 6A01359-004 | ANGLE, ATTACH, TOP RAIL |

BULKHEAD #6



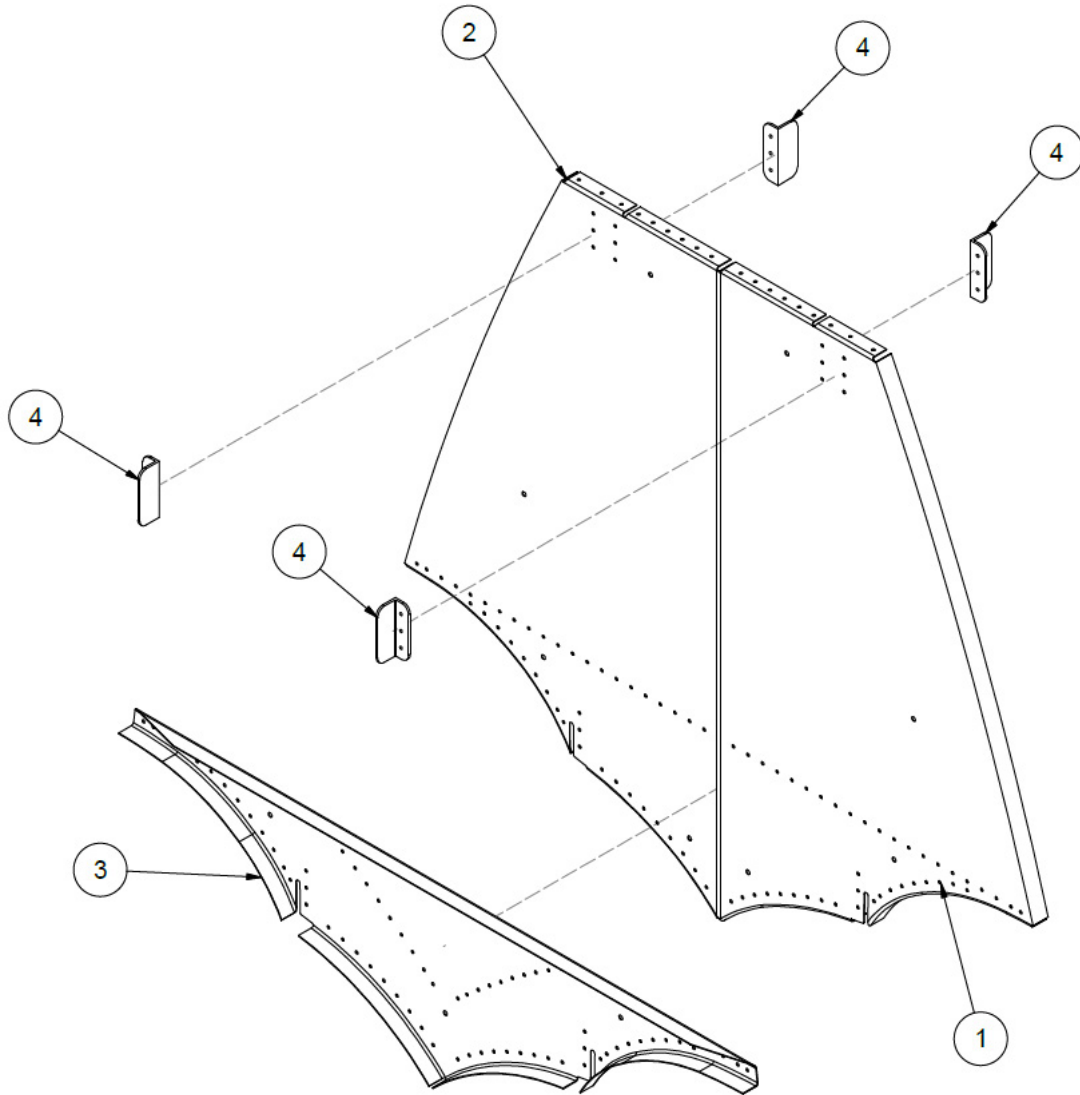
| ITEM | QTY | PART NO. | PART DESCRIPTION |
|------|-----|--------------|---------------------------|
| - | 1 | 30A01000-332 | ASSEMBLY, BULKHEAD 6 |
| 1 | 1 | 30A01158-213 | BULKHEAD #6 - LH - FORMED |
| 2 | 1 | 30A01158-214 | BULKHEAD #6 - RH - FORMED |
| 3 | 1 | 30A01158-224 | SUPPORT - BULKHEAD #6 |
| 4 | 6 | 6A01359-004 | ANGLE, ATTACH, TOP RAIL |

BULKHEAD #7



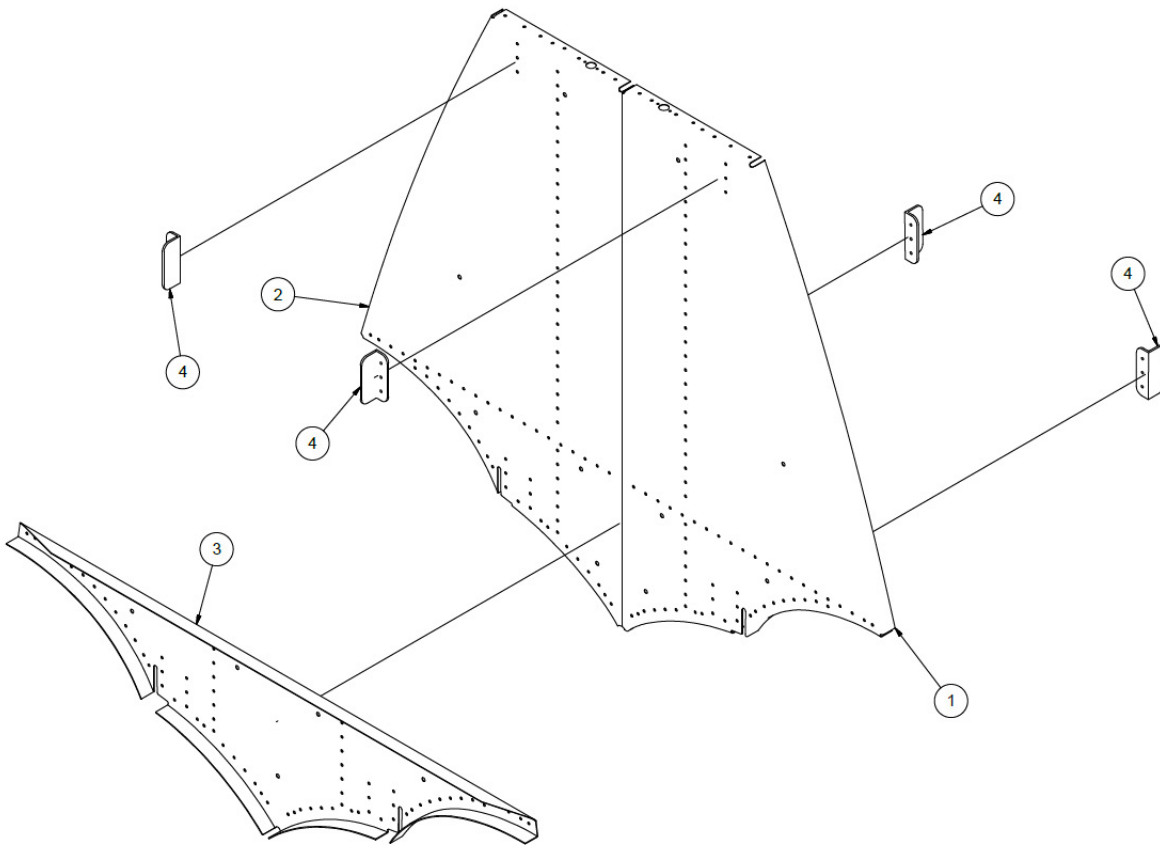
| ITEM | QTY | PART NO. | PART DESCRIPTION |
|------|-----|--------------|---------------------------------------|
| - | 1 | 30A01000-333 | BULKHEAD ASSEMBLY #7 |
| 1 | 2 | 1001110 | DOUBLER - SUPPORT - LH/RH BULKHEAD #7 |
| 2 | 1 | 30A01158-215 | BULKHEAD - #7, LH |
| 3 | 1 | 30A01158-216 | BULKHEAD - #7, RH |
| 4 | 1 | 30A01158-225 | SUPPORT - BULKHEAD #7 |
| 5 | 1 | 30A01326-036 | ANGLE - BULKHEAD #7 |
| 6 | 1 | 30A01326-037 | ANGLE - BULKHEAD #7 |

BULKHEAD #8



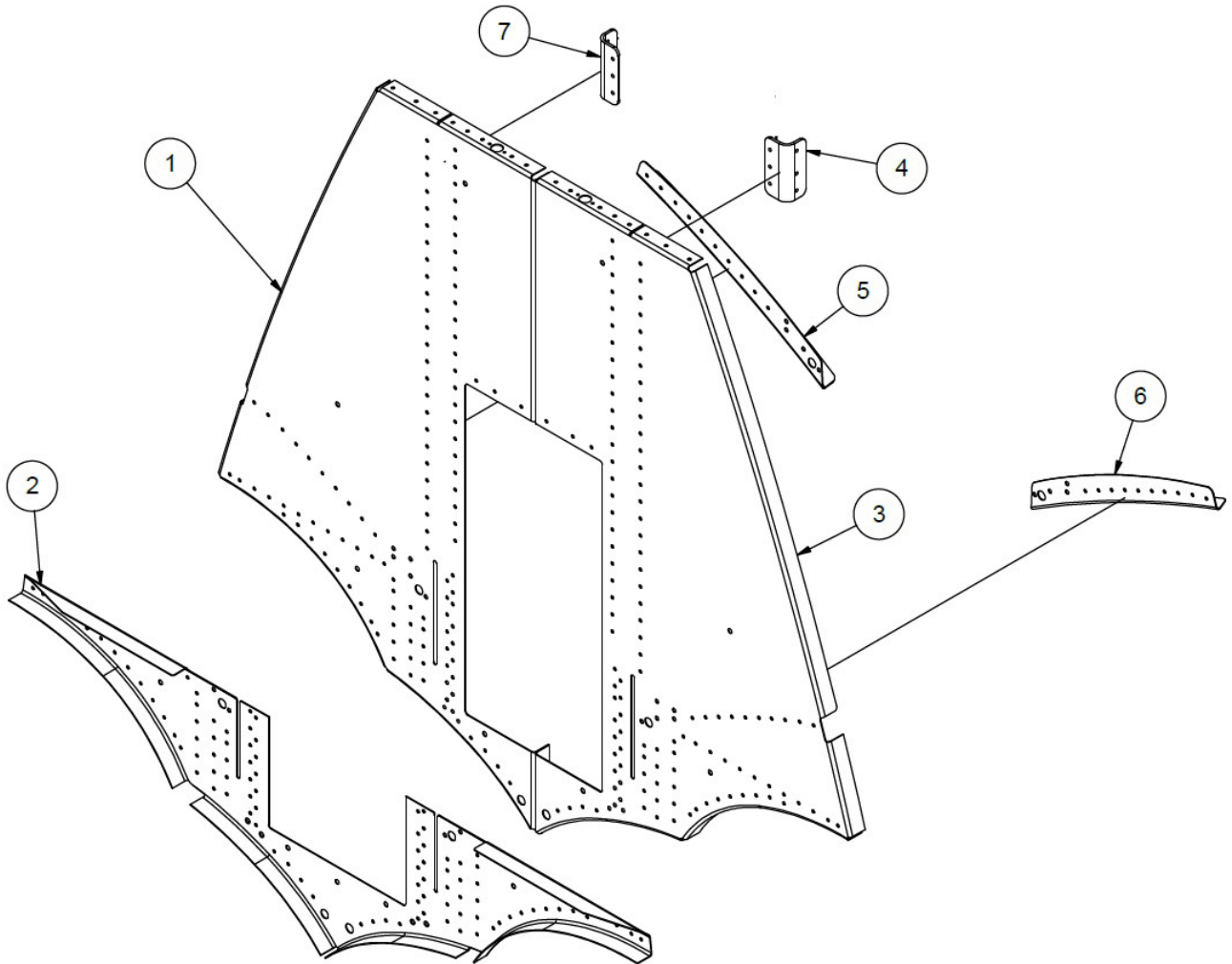
| ITEM | QTY | PART NO. | PART DESCRIPTION |
|------|-----|--------------|--------------------------|
| - | 1 | 34A01000-357 | BULKHEAD STATION #8 ASSY |
| 1 | 1 | 34A01158-239 | BULKHEAD #8 |
| 2 | 1 | 34A01158-240 | BULKHEAD #8 |
| 3 | 1 | 34A01158-241 | SUPPORT - BULKHEAD, #8 |
| 4 | 4 | 6A01359-004 | ANGLE, ATTACH, TOP RAIL |

BULKHEAD #8



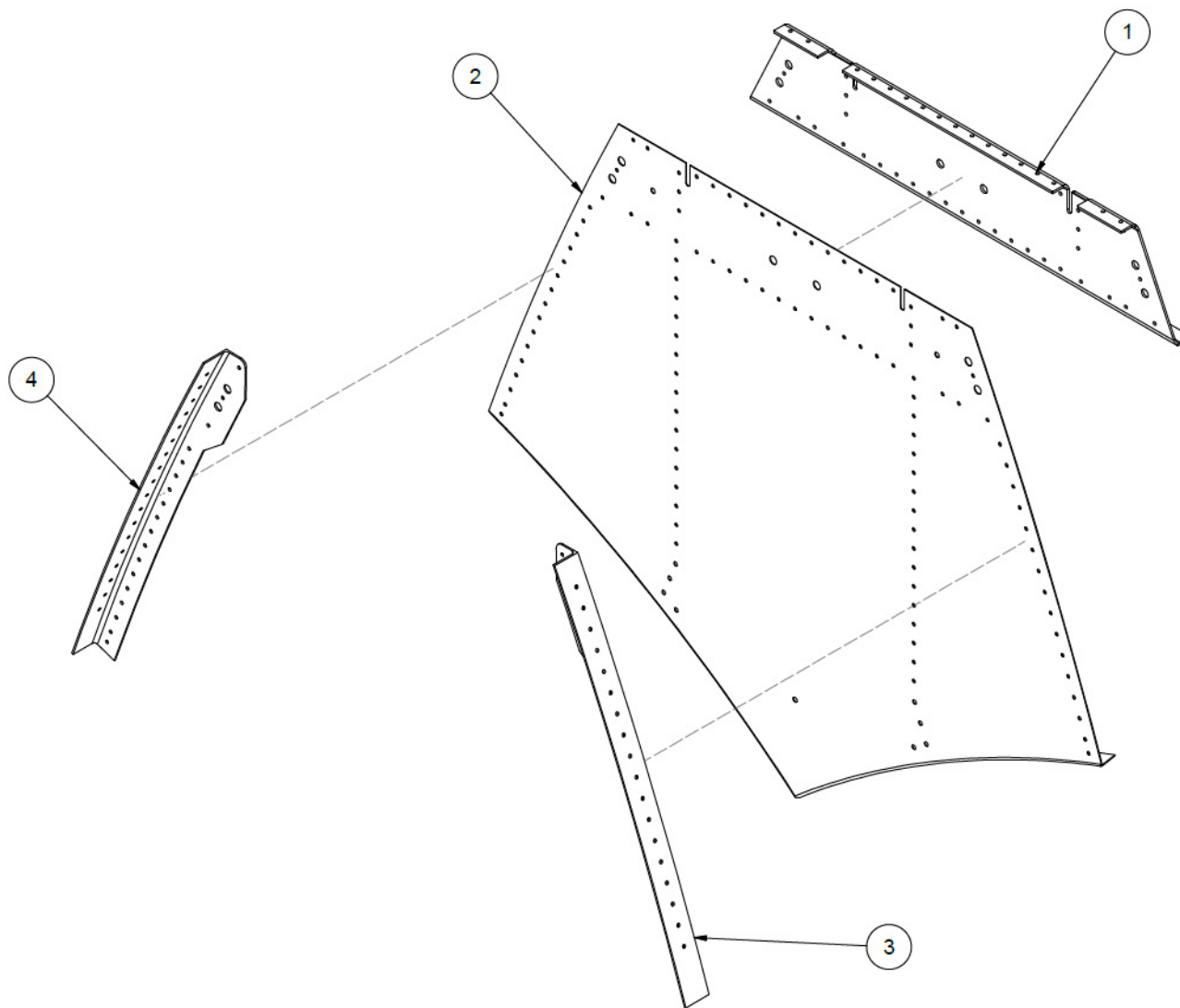
| ITEM | QTY | PART NO. | PART DESCRIPTION |
|------|-----|-------------|--------------------------------------|
| - | 1 | 1004914 | ASSEMBLY, BULKHEAD 8, 3000 3450 COMP |
| 1 | 1 | 1004912 | BULKHEAD, #8, LH, 3000 3450 |
| 2 | 1 | 1004913 | BULKHEAD, #8, RH, 3000 3450 |
| 3 | 1 | 1004915 | SUPPORT, BULKHEAD #8, 3000 3450 |
| 4 | 4 | 6A01359-004 | ANGLE - SUPPORT |

BULKHEAD #9



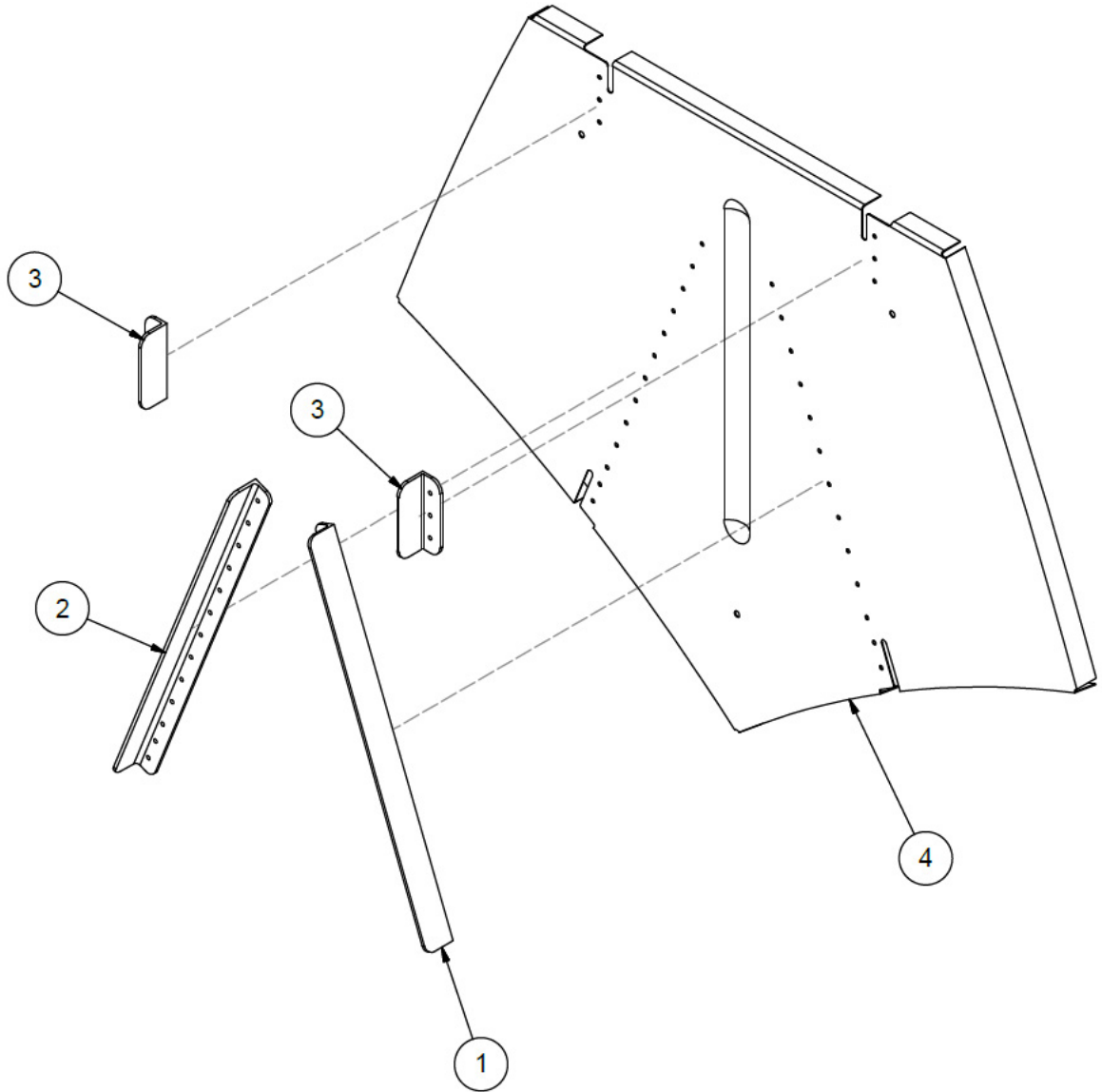
| ITEM | QTY | PART NO. | PART DESCRIPTION |
|------|-----|----------|--------------------------------|
| - | 1 | 1004888 | ASS'Y BULKHEAD #9 |
| 1 | 1 | 1004889 | BULKHEAD, #9, RIGHT, 3000 3450 |
| 2 | 1 | 1004890 | SUPPORT, RH, BULKHEAD #9 |
| 3 | 1 | 1004891 | BULKHEAD, #9, LEFT, 3000 3450 |
| 4 | 1 | 1005519 | ATTACH, ANGLE, TOP RAIL |
| 5 | 1 | 1005581 | ANGLE, ATTACH AFT |
| 6 | 1 | 1005582 | ANGLE, ATTACH AFT |
| 7 | 1 | 1005611 | ATTACH, ANGLE, TOP RAIL |

BULKHEAD #10



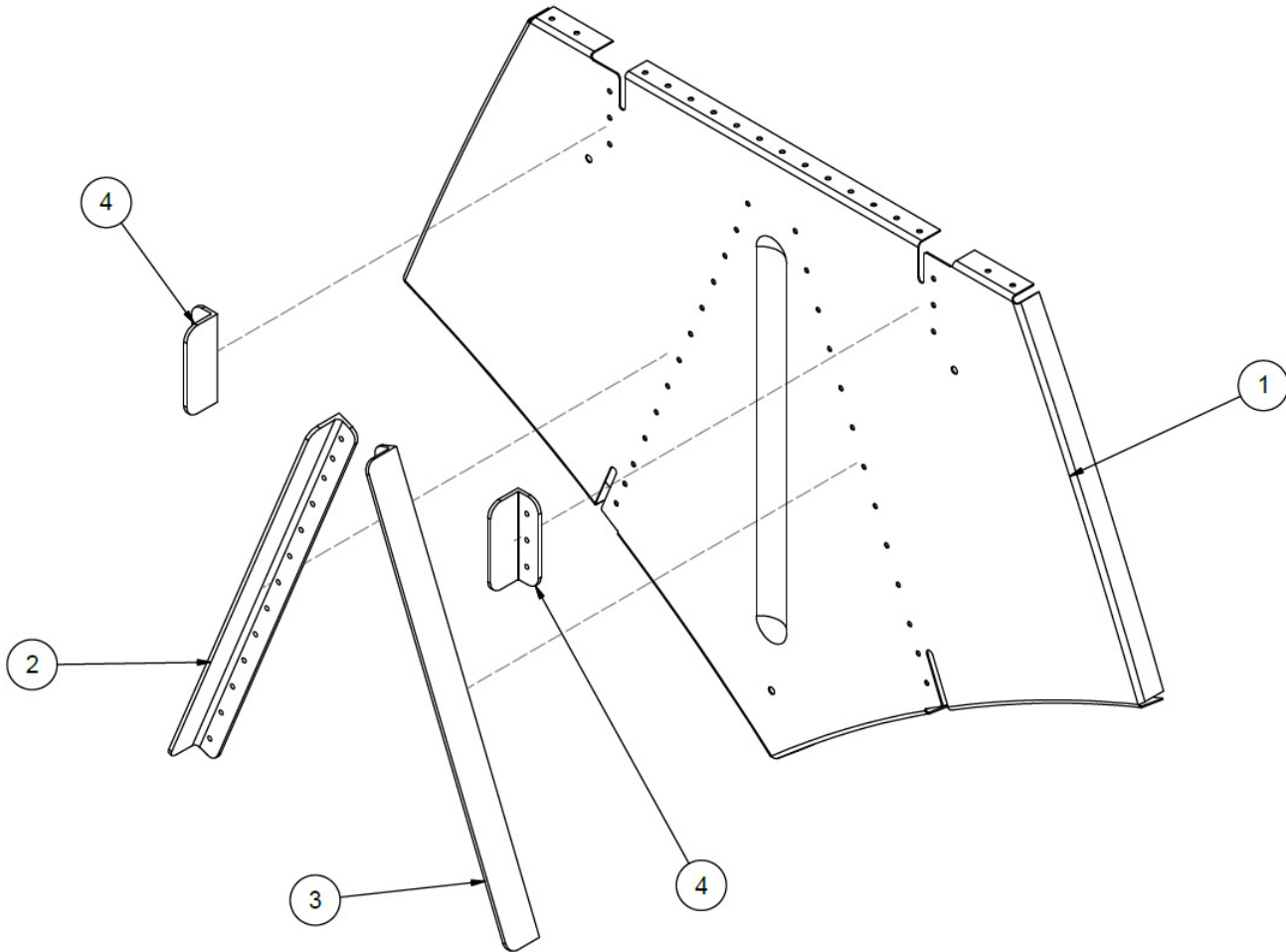
| ITEM | QTY | PART NO. | PART DESCRIPTION |
|------|-----|--------------|-------------------------------------|
| - | 1 | 30A01000-339 | ASSEMBLY, BULKHEAD 10 (AMPHIB) |
| - | 1 | 30S01000-408 | ASS'Y. BULKHEAD #10 (SEAPLANE ONLY) |
| 1 | 1 | 30A01155-032 | PANEL, SPREADER BAR, BH 5 & 10 |
| 2 | 1 | 30A01158-221 | BULKHEAD #10 |
| 3 | 1 | 30A01352-035 | ANGLE, SIDE, BULKHEAD 10 |
| 4 | 1 | 30A01352-036 | ANGLE, SIDE, BULKHEAD 10 |
| 5 | 4 | 6A01359-004 | ANGLE (SEAPLANE ONLY NOT SHOWN) |
| 6 | 2 | 30S01340-180 | ANGLE (SEAPLANE ONLY NOT SHOWN) |

BULKHEAD #11



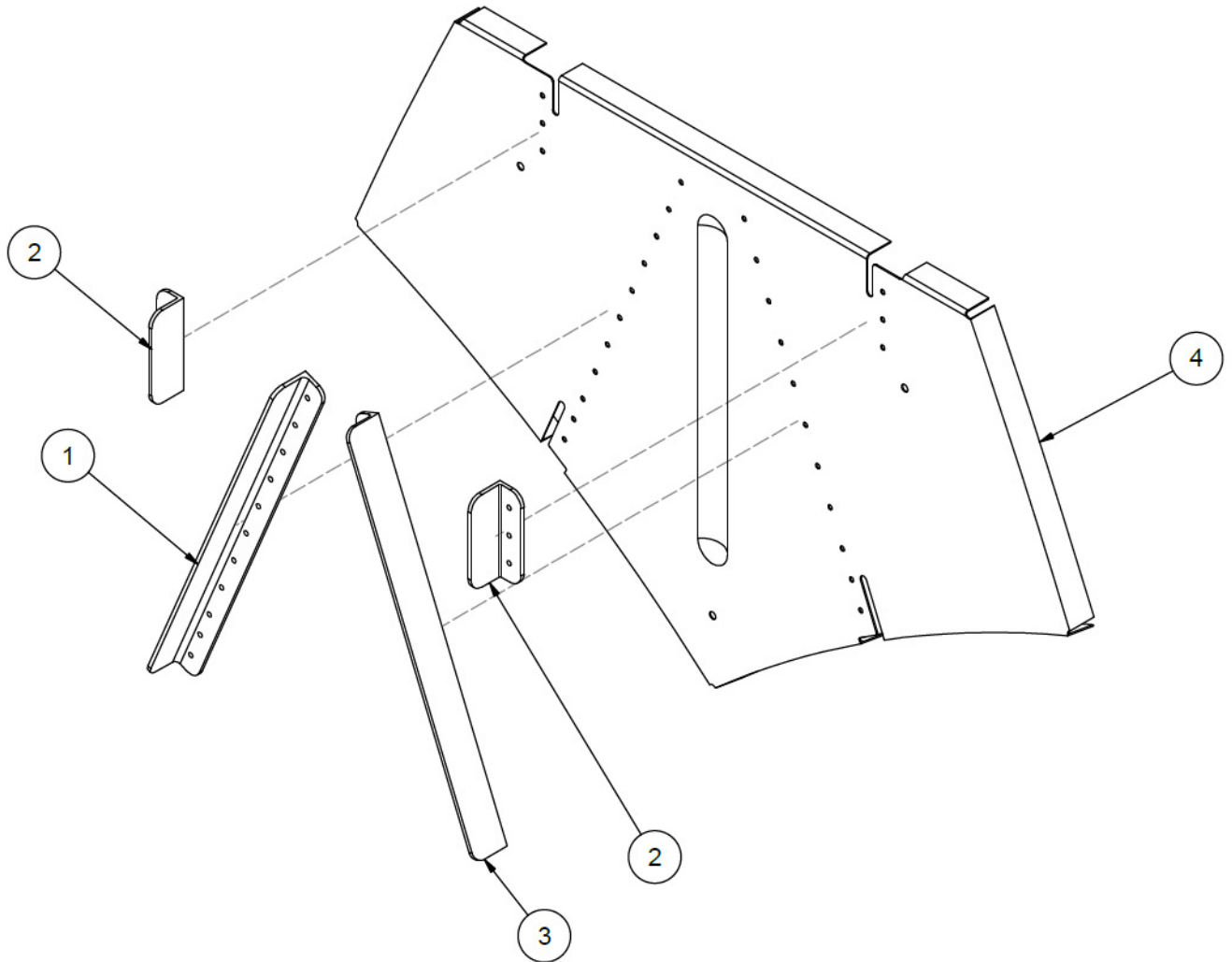
| ITEM | QTY | PART NO. | PART DESCRIPTION |
|------|-----|--------------|----------------------------|
| - | 1 | 30A01000-340 | BULKHEAD STAION #11 ASSY |
| 1 | 1 | 30A01359-216 | ANGLE - BULKHEAD #11 & #12 |
| 2 | 1 | 30A01359-217 | ANGLE - BULKHEAD #11 & #12 |
| 3 | 2 | 6A01359-004 | ANGLE, ATTACH, TOP RAIL |
| 4 | 1 | 30A01158-204 | BULKHEAD #11 |

BULKHEAD #12



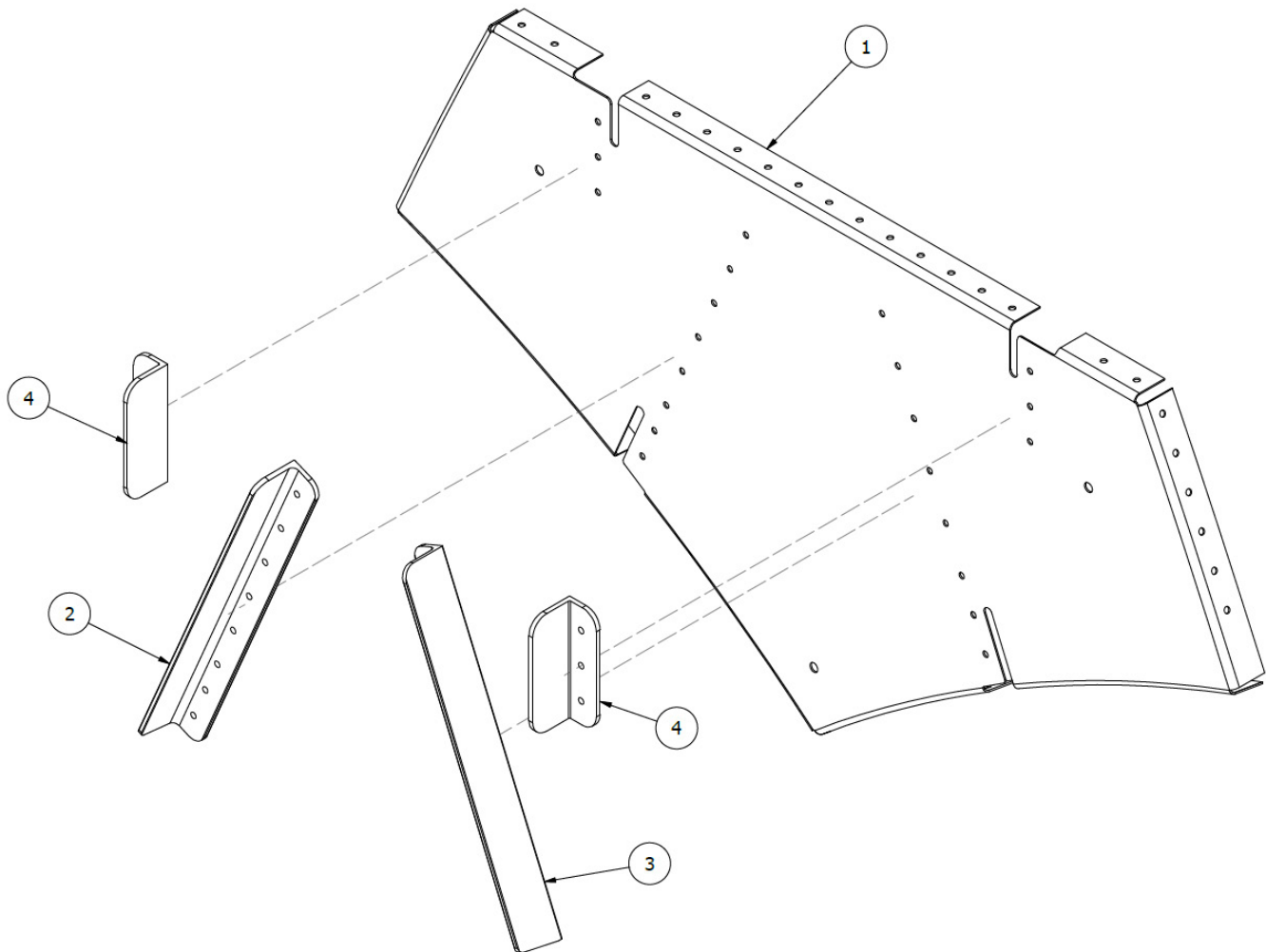
| ITEM | QTY | PART NO. | PART DESCRIPTION |
|------|-----|--------------|----------------------------|
| - | 1 | 30A01000-341 | 30A01000-341 |
| 1 | 1 | 30A01158-205 | BULKHEAD #12 |
| 2 | 1 | 30A01359-216 | ANGLE - BULKHEAD #11 & #12 |
| 3 | 1 | 30A01359-217 | ANGLE - BULKHEAD #11 & #12 |
| 4 | 2 | 6A01359-004 | ANGLE, ATTACH, TOP RAIL |

BULKHEAD #13



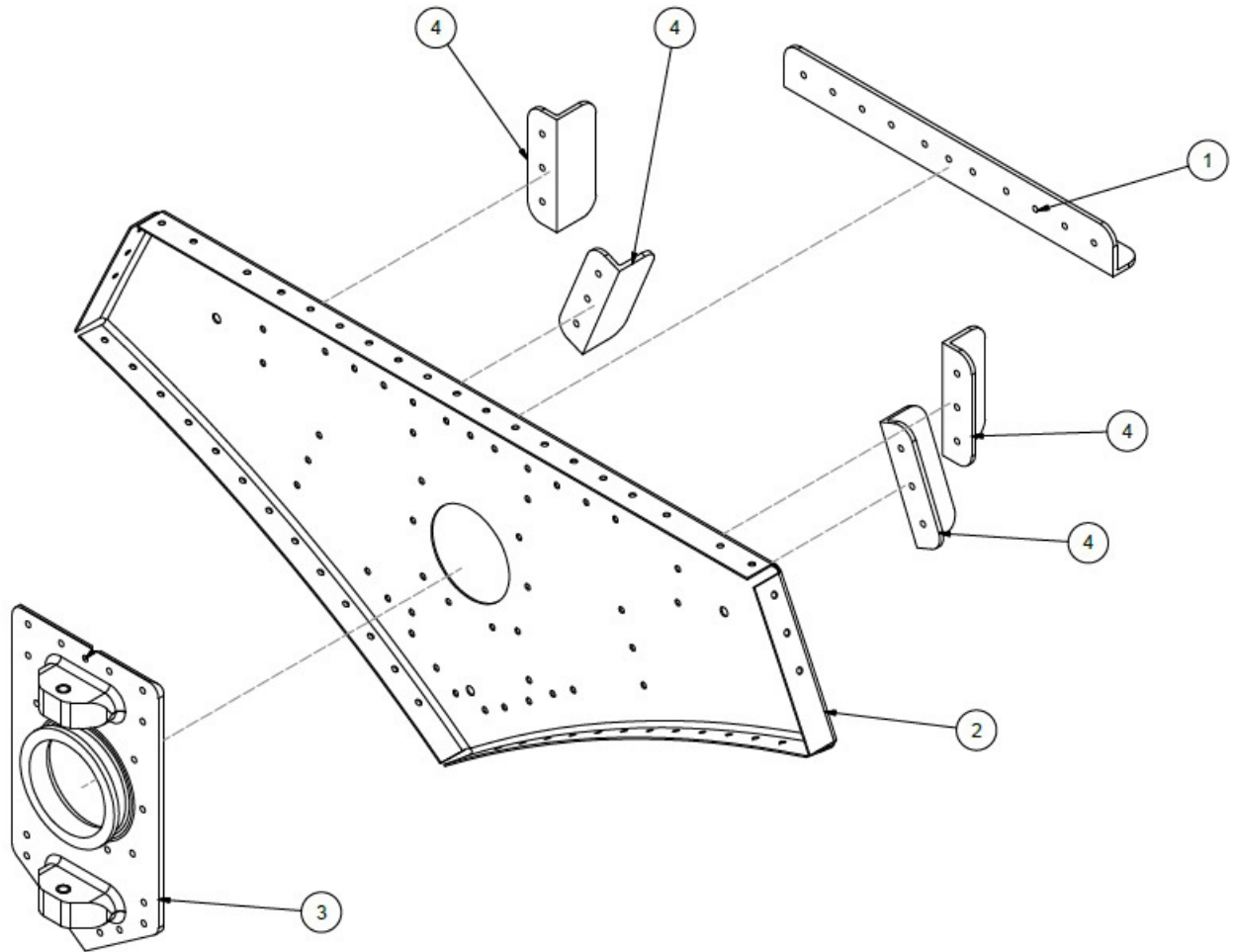
| ITEM | QTY | PART NO. | PART DESCRIPTION |
|------|-----|--------------|---------------------------|
| - | 1 | 30A01000-342 | BULKHEAD STATION #13 ASSY |
| 1 | 1 | 30A01359-218 | ANGLE - BULKHEAD #13 |
| 2 | 2 | 6A01359-004 | ANGLE, ATTACH, TOP RAIL |
| 3 | 1 | 30A01359-219 | ANGLE - BULKHEAD #13 |
| 4 | 1 | 30A01158-206 | BULKHEAD #13 |

BULKHEAD #15



| ITEM | QTY | PART NO. | PART DESCRIPTION |
|------|-----|--------------|-------------------------|
| - | 1 | 34A01000-356 | BULKHEAD STN #15 ASSY |
| 1 | 1 | 34A01158-242 | BULKHEAD #15 |
| 2 | 1 | 34A01359-215 | ANGLE, BULKHEAD 15 |
| 3 | 1 | 34A01359-220 | ANGLE, BULKHEAD 15 |
| 4 | 2 | 6A01359-004 | ANGLE, ATTACH, TOP RAIL |

BULKHEAD #16



| ITEM | QTY | PART NO. | PART DESCRIPTION |
|------|-----|--------------|--------------------------------------|
| - | 1 | 34A01000-355 | ASSY, BULKHEAD STN, #16 |
| 1 | 1 | 30A01359-209 | ANGLE, BULKHEAD #14, UPPER |
| 2 | 1 | 34A01158-238 | PANEL, BULKHEAD 16 |
| 3 | 1 | 4A01000-301 | ASSEMBLY, MOUNT, PIVOT, WATER RUDDER |
| 4 | 4 | 6A01359-004 | ANGLE, ATTACH, TOP RAIL |

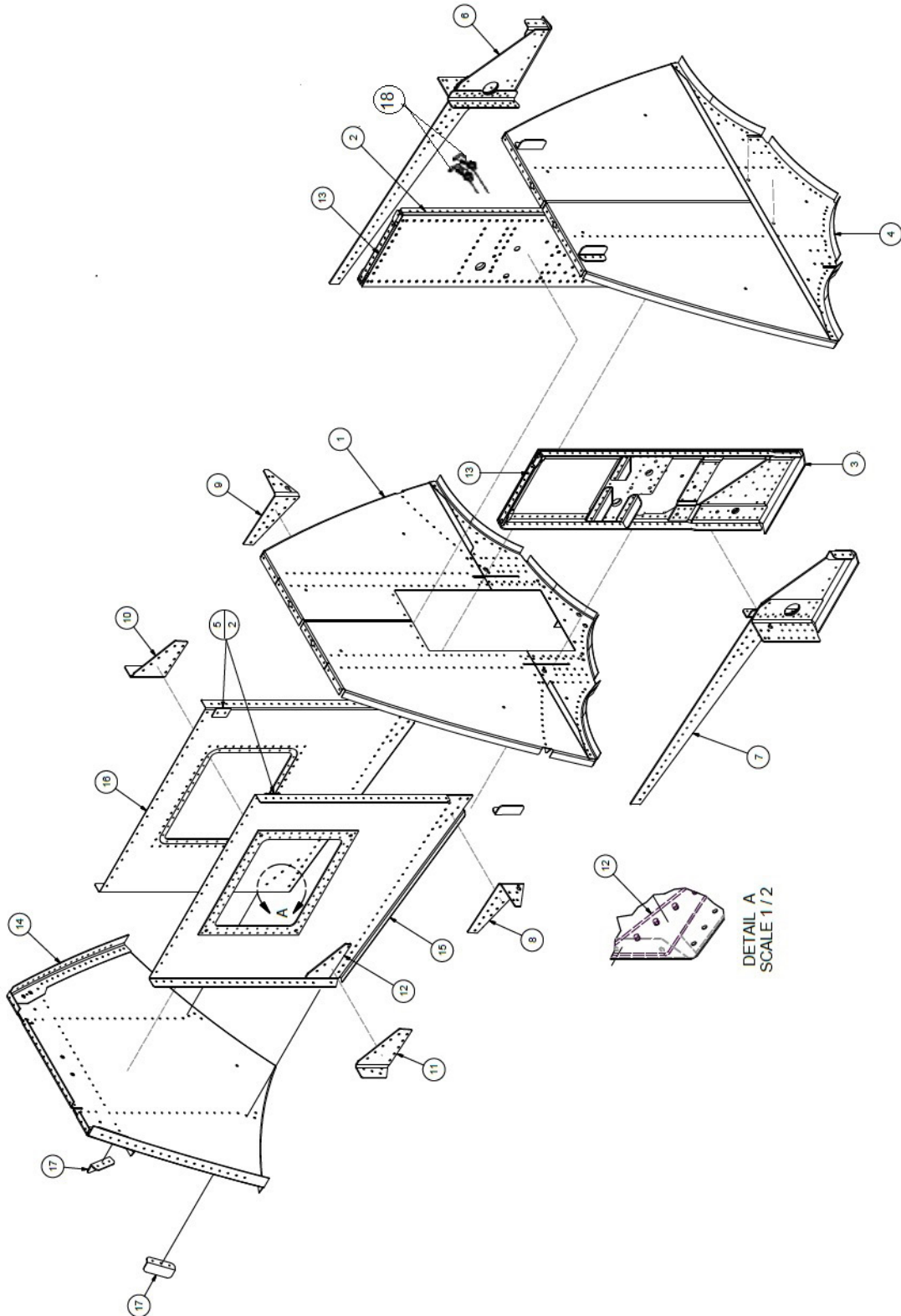
THIS PAGE INTENTIONALLY LEFT BLANK

SECTION 2 WHEEL WELL ASSEMBLY

CONTENTS

| | |
|---------------------------------------|----|
| WHEEL WELL AREA | 30 |
| WHEEL WELL ASSEMBLY - AMPHIBIAN | 32 |

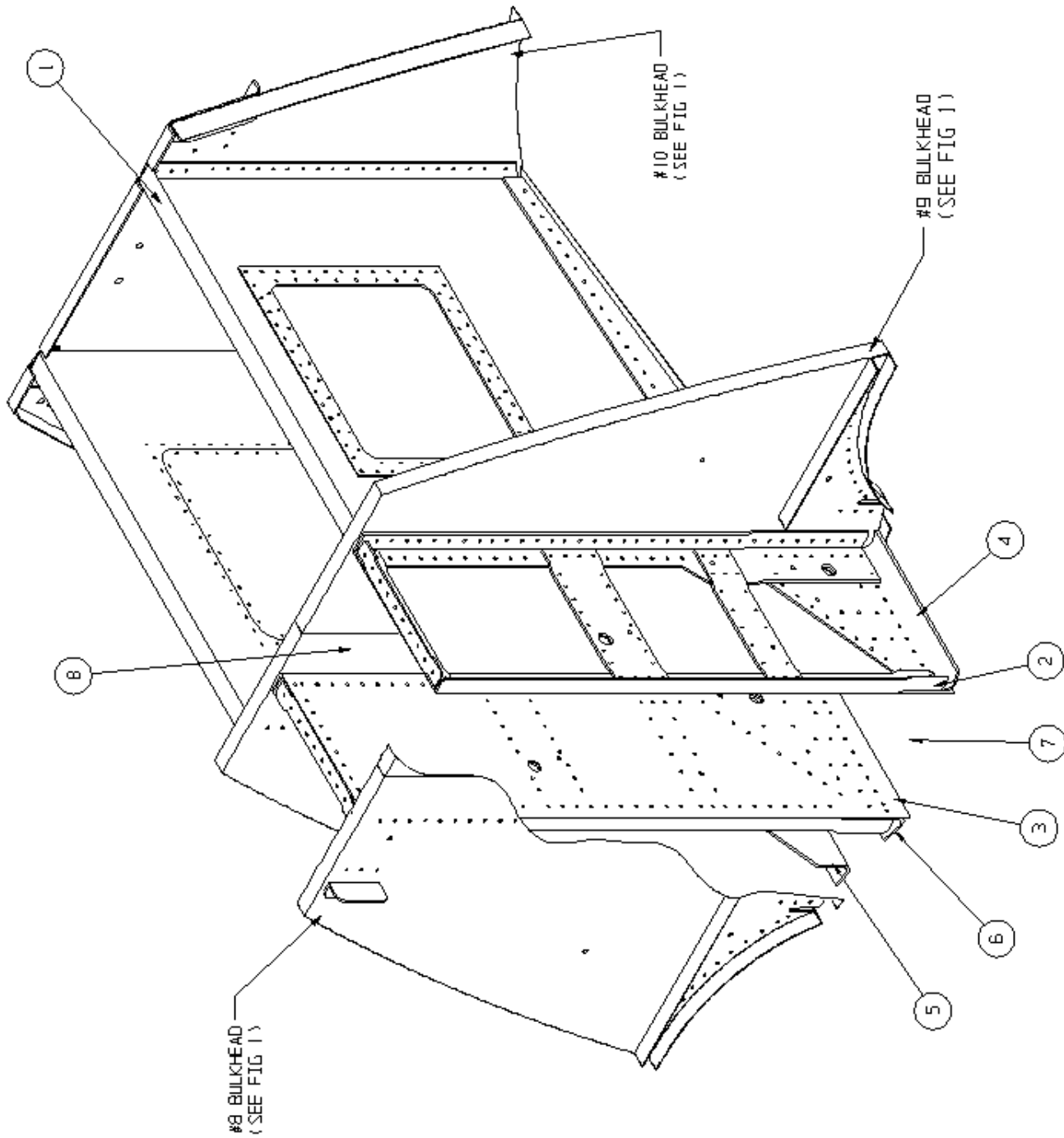
WHEEL WELL AREA



PARTS MANUAL
3450 FLOATS ON CESSNA 185

| ITEM | QTY | PART NO. | PART DESCRIPTION |
|------|-----|--------------|---------------------------------------|
| - | 1 | 1005530 | ASSEMBLY, WHEEL WELL, CENTERED, 3450 |
| 1 | 1 | 1004888 | ASS'Y BULKHEAD #9 |
| 2 | 1 | 1004893 | ASSEMBLY, PANEL, MAIN GEAR |
| 3 | 1 | 1004894 | ASSEMBLY, PANEL, MAIN GEAR |
| 4 | 1 | 1004914 | ASSEMBLY, BULKHEAD 8, 3450 COMP |
| 5 | 2 | 1005520 | SPACER, ATTACH, ANGLE, TOP RAIL |
| 6 | 1 | 1005523 | ASSEMBLY, CARRY THRU STRAP, RIGHT |
| 7 | 1 | 1005524 | ASSEMBLY, CARRY THRU STRAP, LEFT |
| 8 | 1 | 1005531 | GUSSET, WHEEL WELL |
| 9 | 1 | 1005532 | GUSSET, WHEEL WELL |
| 10 | 1 | 1005542 | GUSSET, WHEEL WELL, REAR |
| 11 | 1 | 1005543 | GUSSET, WHEEL WELL, REAR |
| 12 | 2 | 1005550 | SPACER, GUSSET, CARRY-THRU |
| 13 | 2 | 1005557 | SPACER, ANGLE, PANEL, MAIN GEAR |
| 14 | 1 | 30A01000-339 | ASS'Y BULKHEAD #10 |
| 15 | 1 | 30A01000-348 | ASSEMBLY, PANEL, SIDE, WHEEL WELL, RH |
| 16 | 1 | 30A01000-349 | ASSEMBLY, PANEL, SIDE, WHEEL WELL, LH |
| 17 | 4 | 6A01359-004 | ANGLE, ATTACH, TOP RAIL |
| 18 | 2 | 1005724 | SWITCH, PROXIMITY |

WHEEL WELL ASSEMBLY - AMPHIBIAN



PARTS MANUAL
3450 FLOATS ON CESSNA 185

| ITEM | QTY | PART NO. | PART DESCRIPTION |
|-------|-----|--------------|-------------------------------------|
| 1 LT. | 1 | 30A01000-349 | ASS'Y. WHEELWELL HALF L. |
| | 1 | 30A01158-235 | PANEL – FORMED L. |
| | 1 | 13A01156-124 | RING – COVER REINFORCEMENT |
| | 1 | 21A01158-163 | COVER, INSPECTION, WHEELWELL, LARGE |
| | 28 | AN526-632R6 | SCREW |
| 1 RT. | 1 | 30A01000-348 | ASS'Y. WHEELWELL HALF R. |
| | 1 | 30A01158-234 | PANEL – FORMED R. |
| | 1 | 13A01156-124 | RING – COVER REINFORCEMENT |
| | 1 | 21A01158-163 | COVER, INSPECTION, WHEELWELL, LARGE |
| | 28 | AN526-632R6 | SCREW |
| 2 | 1 | 30A01000-345 | ASS'Y. WHEELWELL PANEL – OUTBR'D L. |
| | 1 | 30A01000-350 | ASS'Y. WHEELWELL PANEL – OUTBR'D R. |
| 3 | 1 | 30A01000-347 | ASS'Y. WHEELWELL PANEL – INBR'D L. |
| | 1 | 30A01000-346 | ASS'Y. WHEELWELL PANEL – INBR'D R. |
| 4 | 1 | 30A01156-139 | CARRY-THRU STRAP OUTBR'D L. |
| | 1 | 30A01156-142 | CARRY-THRU STRAP OUTBR'D R. |
| 5 | 1 | 30A01156-141 | CARRY-THRU STRAP INBR'D L. |
| | 1 | 30A01156-140 | CARRY-THRU STRAP INBR'D R. |
| 6 | 1 | 30A01156-143 | CARRY-THRU STRAP INBR'D L. |
| | 1 | 30A01156-138 | CARRY-THRU STRAP INBR'D R. |
| | 1 | 30A01156-145 | ANGLE – ATTACH AFT L. |
| | 1 | 30A01156-150 | ANGLE – ATTACH AFT R. |
| | 1 | 30A01160-035 | SHIM |
| | 2 | 21A01326-015 | ANGLE – ATTACH FWD |
| 7 | 1 | 30A01000-287 | SAND GUARD (NOT SHOWN) L. |
| | 1 | 30A01000-288 | SAND GUARD (NOT SHOWN) R. |
| | 8 | AN526-1032R8 | SCREW |
| | 4 | MS21078-3 | NUT PLATE |
| 8 | 1 | 30A01569-002 | MUD FLAP (NOT SHOWN) |
| | 1 | 30A01150-141 | REINFORCEMENT |

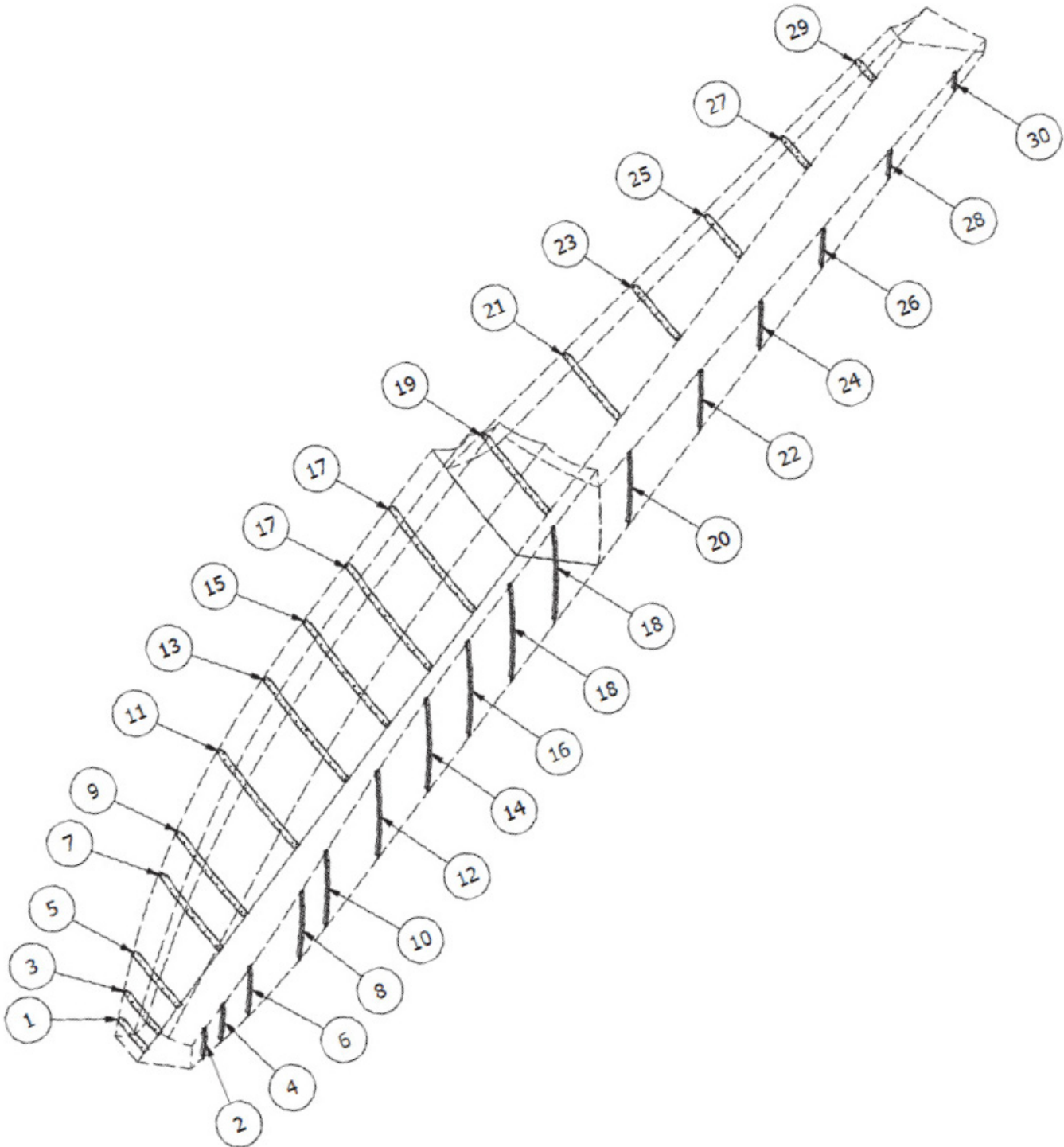
THIS PAGE INTENTIONALLY LEFT BLANK

SECTION 3 SKINS, STIFFENERS, & CANOE PADDLE

CONTENTS

| | |
|--|----|
| STIFFENERS..... | 36 |
| BOTTOM SKINS & DOUBLERS - AMPHIBIAN..... | 38 |
| BOTTOM SKINS & DOUBLERS - SEAPLANE..... | 40 |
| RIGHT FLOAT SIDE SKINS..... | 42 |
| LEFT FLOAT SIDE SKINS..... | 43 |
| CANOE PADDLE..... | 44 |

STIFFENERS

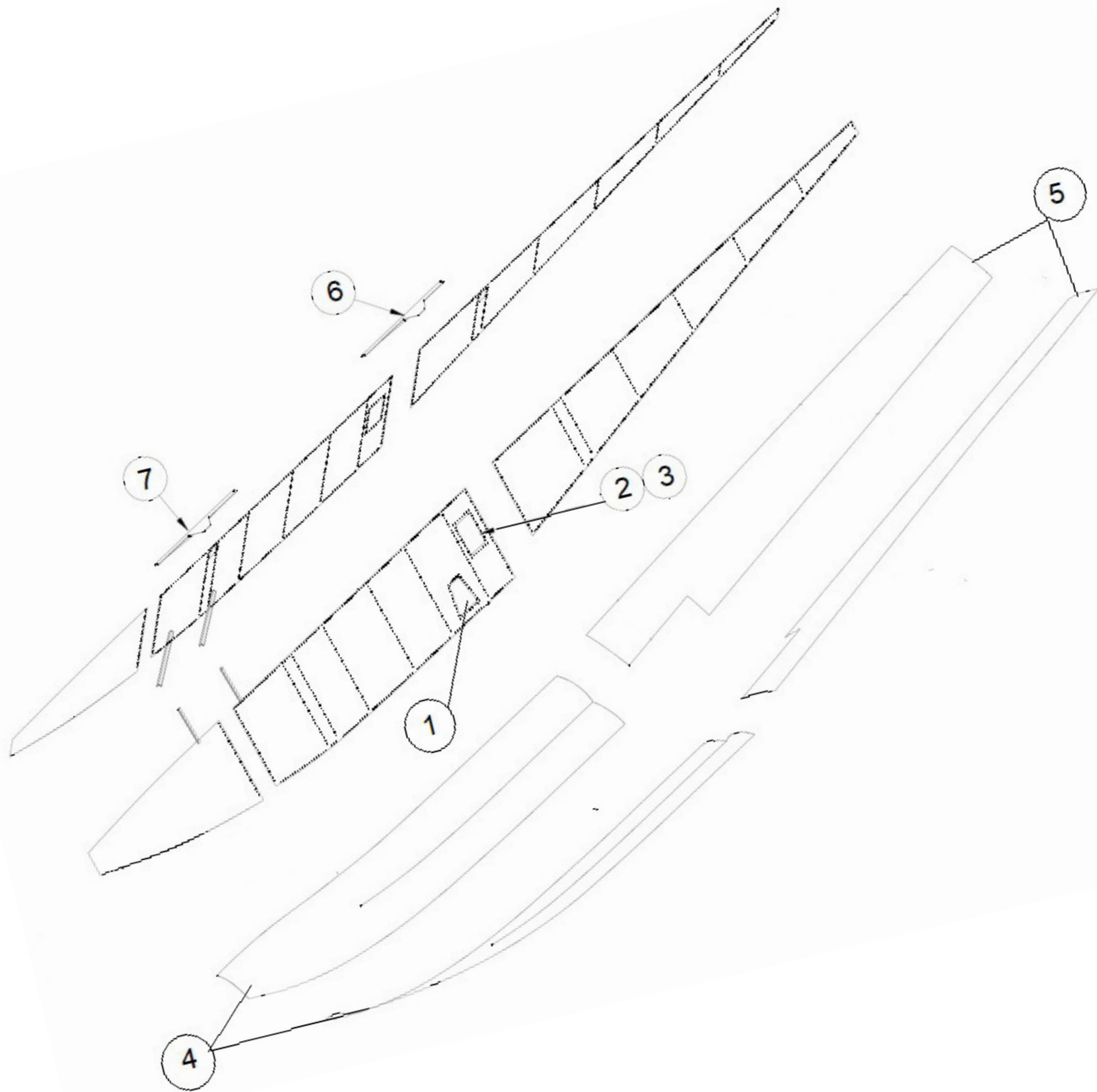


*Glued stiffeners were discontinued after Service Letter 211. Riveted stiffeners are compatible with floats made prior to the service letter.

PARTS MANUAL
3450 FLOATS ON CESSNA 185

| ITEM | QTY | PART NO. | PART DESCRIPTION |
|------|-----|----------|--------------------------|
| 1 | 1 | 1011150 | STIFFENER, SIDE SKIN, LH |
| 2 | 1 | 1011151 | STIFFENER, SIDE SKIN, RH |
| 3 | 1 | 1011152 | STIFFENER, SIDE SKIN, LH |
| 4 | 1 | 1011153 | STIFFENER, SIDE SKIN, RH |
| 5 | 1 | 1011154 | STIFFENER, SIDE SKIN, LH |
| 6 | 1 | 1011155 | STIFFENER, SIDE SKIN, RH |
| 7 | 1 | 1011156 | STIFFENER, SIDE SKIN, LH |
| 8 | 1 | 1011157 | STIFFENER, SIDE SKIN, RH |
| 9 | 1 | 1011158 | STIFFENER, SIDE SKIN, LH |
| 10 | 1 | 1011159 | STIFFENER, SIDE SKIN, RH |
| 11 | 1 | 1011160 | STIFFENER, SIDE SKIN, LH |
| 12 | 1 | 1011161 | STIFFENER, SIDE SKIN, RH |
| 13 | 1 | 1011162 | STIFFENER, SIDE SKIN, LH |
| 14 | 1 | 1011163 | STIFFENER, SIDE SKIN, RH |
| 15 | 1 | 1011164 | STIFFENER, SIDE SKIN, LH |
| 16 | 1 | 1011165 | STIFFENER, SIDE SKIN, RH |
| 17 | 1 | 1011166 | STIFFENER, SIDE SKIN, LH |
| 18 | 1 | 1011167 | STIFFENER, SIDE SKIN, RH |
| 19 | 1 | 1011168 | STIFFENER, SIDE SKIN, LH |
| 20 | 1 | 1011169 | STIFFENER, SIDE SKIN, RH |
| 21 | 1 | 1011170 | STIFFENER, SIDE SKIN, LH |
| 22 | 1 | 1011171 | STIFFENER, SIDE SKIN, RH |
| 23 | 1 | 1011172 | STIFFENER, SIDE SKIN, LH |
| 24 | 1 | 1011173 | STIFFENER, SIDE SKIN, RH |
| 25 | 1 | 1011174 | STIFFENER, SIDE SKIN, LH |
| 26 | 1 | 1011175 | STIFFENER, SIDE SKIN, RH |
| 27 | 1 | 1011176 | STIFFENER, SIDE SKIN, LH |
| 28 | 1 | 1011177 | STIFFENER, SIDE SKIN, RH |
| 29 | 1 | 1011178 | STIFFENER, SIDE SKIN, LH |
| 30 | 1 | 1011179 | STIFFENER, SIDE SKIN, RH |

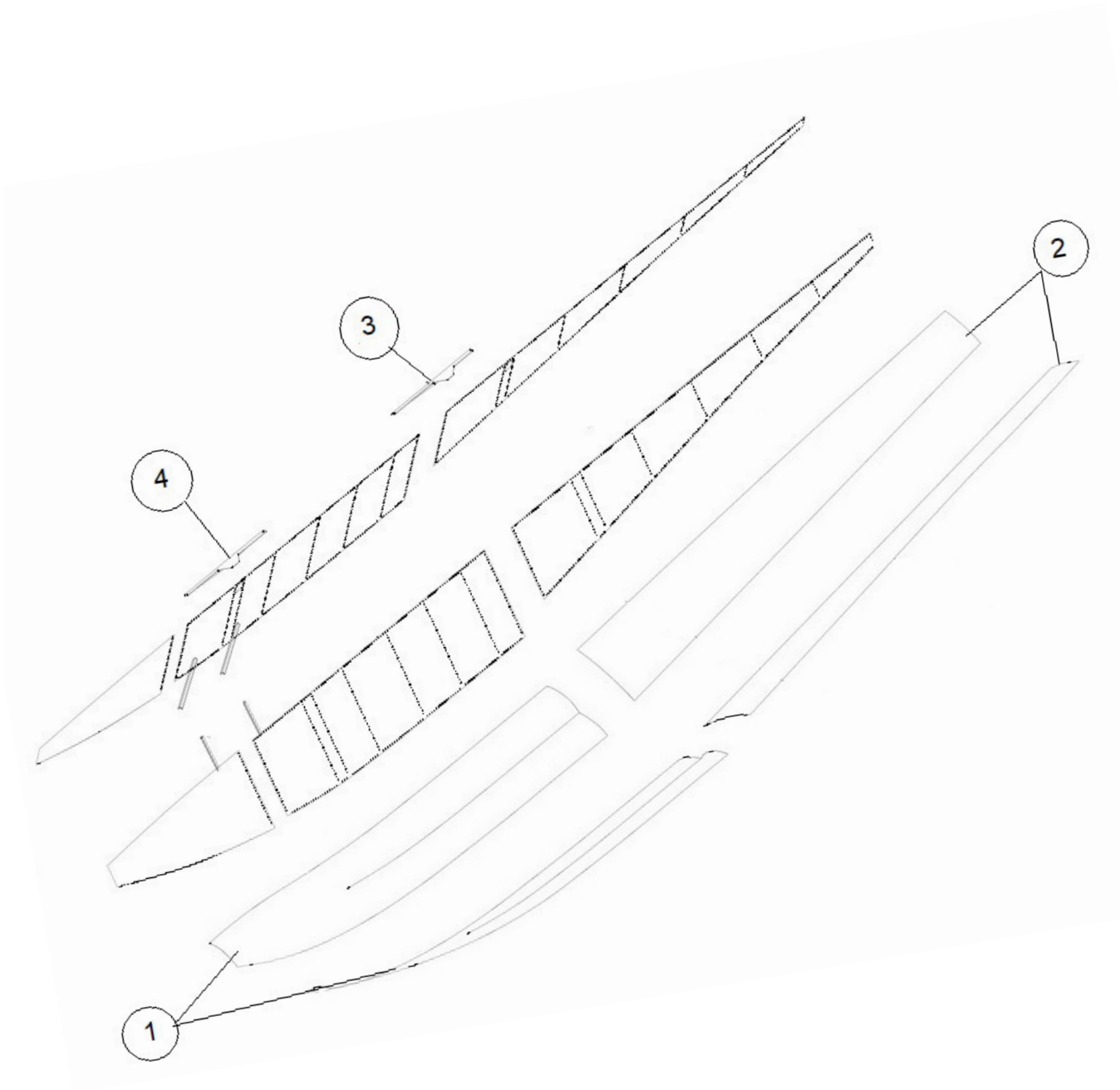
BOTTOM SKINS & DOUBLERS - AMPHIBIAN



PARTS MANUAL
3450 FLOATS ON CESSNA 185

| ITEM | QTY | PART NO. | PART DESCRIPTION |
|------|-----|--------------|--|
| 1 | 1 | 30A01000-358 | STEP – BOARDING |
| 2 | 2 | 30A01156-144 | REINFORCEMENT – COVER |
| 3 | 2 | 21A01000-427 | ASSY, COVER – INSP. |
| | 2 | 21A01567-012 | GASKET |
| | 56 | AN526-632R6 | SCREW – ATTACH |
| 4 | 1 | 30A01151-103 | BOTTOM SKIN FWD L. |
| | 1 | 30A01151-102 | BOTTOM SKIN FWD R. |
| | 2 | 34A01150-145 | BOTTOM SKIN SPLICE – AFT |
| 5 | 1 | 34A01148-039 | BOTTOM SKIN AFTERBODY L. |
| | 1 | 34A01148-040 | BOTTOM SKIN AFTERBODY R. |
| | 1 | 34A01150-147 | DOUBLER, AFT, BOTTOM SKIN (NOT SHOWN) |
| | 1 | 34A01150-148 | DOUBLER, AFT, BOTTOM SKIN (NOT SHOWN) |
| | 1 | 1005715 | DOUBLER, WHEELWELL, AFT, BTM SKN (NOT SHOWN) |
| | 1 | 1005716 | DOUBLER, WHEELWELL, AFT, BTM SKN (NOT SHOWN) |
| 6 | 1 | 34A01162-054 | DOUBLER – GUNWALL AFT L. |
| | 1 | 34A01162-055 | DOUBLER – GUNWALL AFT R |
| 7 | 1 | 30A01162-045 | DOUBLER – GUNWALL FWD L. |
| | 1 | 30A01162-046 | DOUBLER – GUNWALL FWD R. |

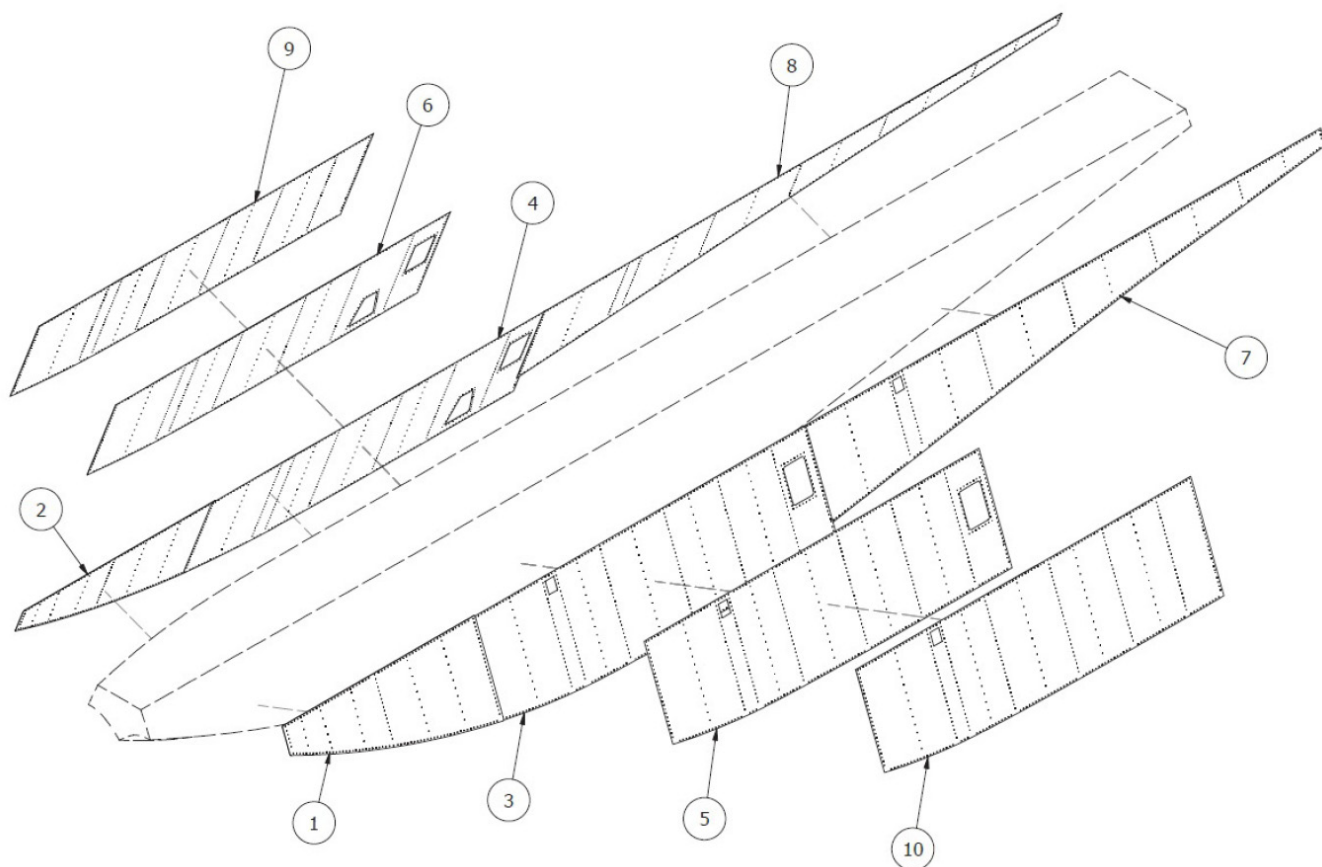
BOTTOM SKINS & DOUBLERS - SEAPLANE



PARTS MANUAL
3450 FLOATS ON CESSNA 185

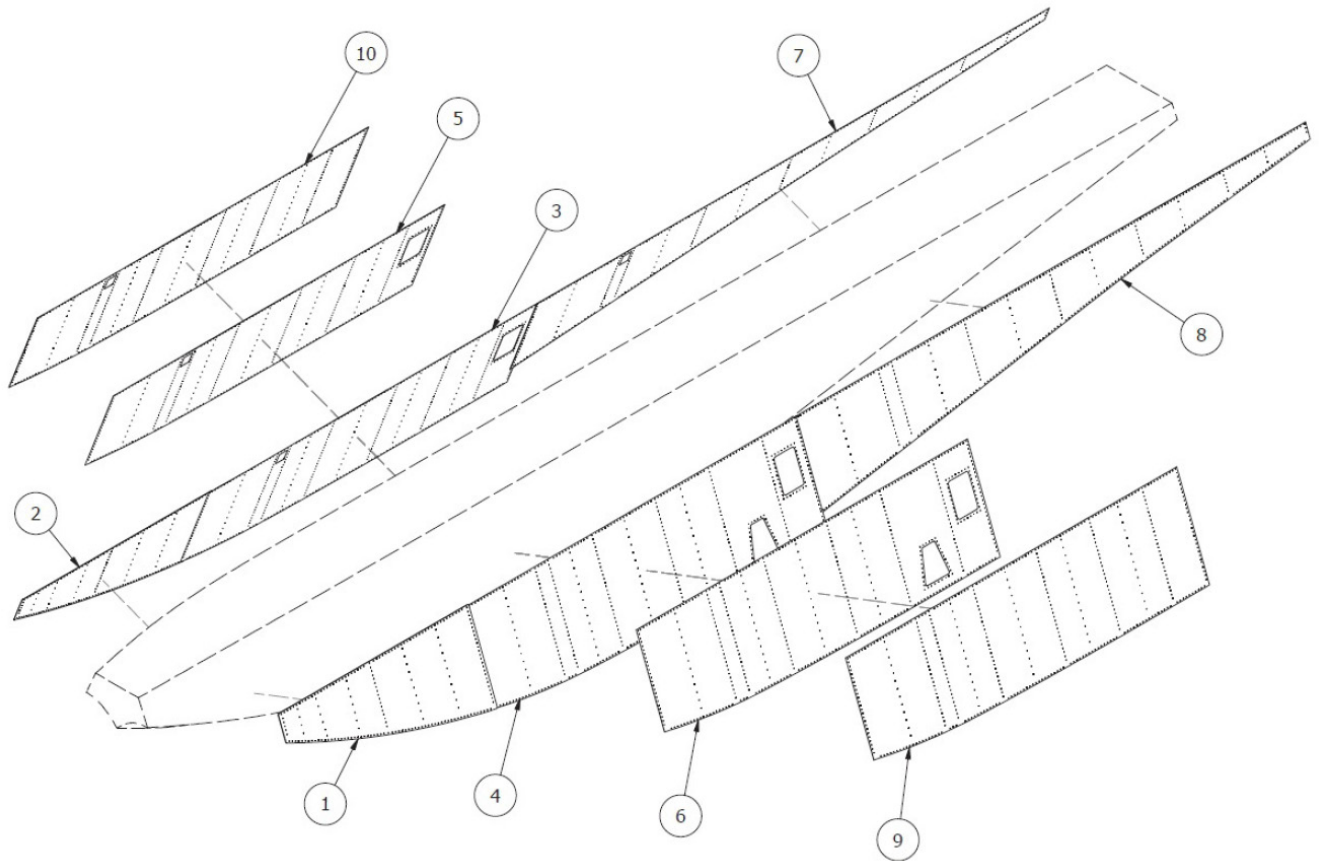
| ITEM | QTY | PART NO. | PART DESCRIPTION |
|------|-----|--------------|--------------------------|
| 1 | 1 | 30A01151-103 | BOTTOM SKIN FWD L. |
| | 1 | 30A01151-102 | BOTTOM SKIN FWD R. |
| | 2 | 34A01150-145 | BOTTOM SKIN SPLICE – AFT |
| 2 | 1 | 34S01148-041 | BOTTOM SKIN AFTERBODY L. |
| | 1 | 34S01148-042 | BOTTOM SKIN AFTERBODY R. |
| 3 | 1 | 34A01162-054 | DOUBLER – GUNWALL AFT L. |
| | 1 | 34A01162-055 | DOUBLER – GUNWALL AFT R. |
| 4 | 1 | 30A01162-045 | DOUBLER – GUNWALL FWD L. |
| | 1 | 30A01162-046 | DOUBLER – GUNWALL FWD R. |

RIGHT FLOAT SIDE SKINS



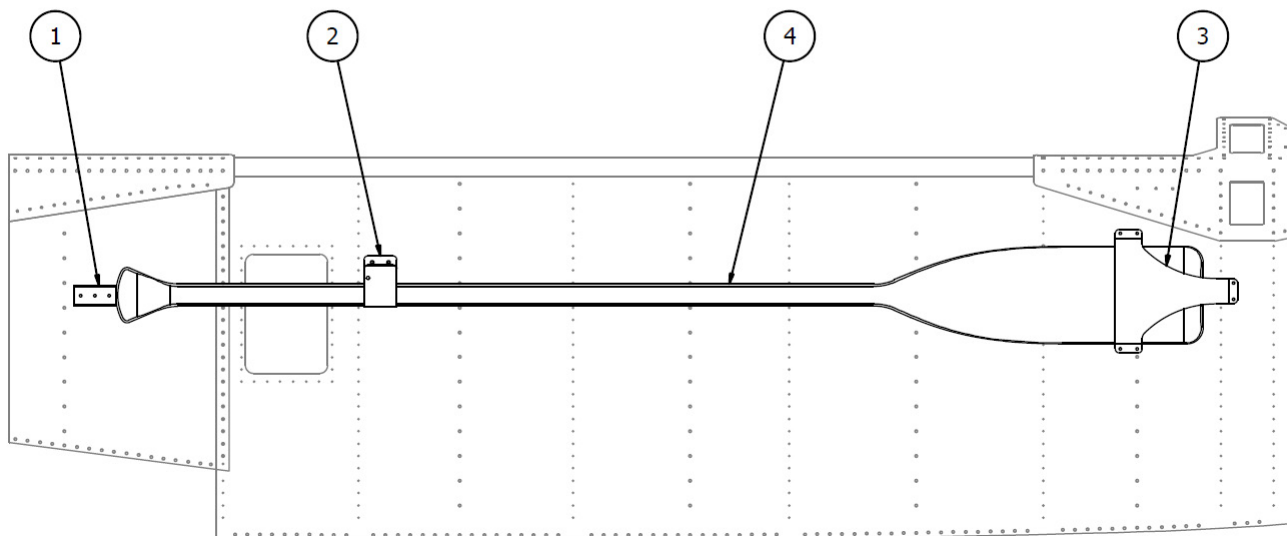
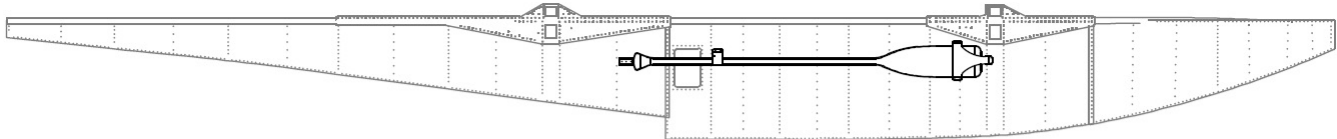
| ITEM | QTY | PART NO. | PART DESCRIPTION |
|------|-----|------------|--|
| 1 | 1 | 1011180 | SKIN, SIDE, FWD, LH |
| 2 | 1 | 1011181 | SKIN, SIDE, FWD, RH |
| 3 | 1 | 1011182 | SKIN, SIDE, MID, INBRD, RH |
| 4 | 1 | 1011185 | SKIN, SIDE, MID, OUTBRD, RH |
| 5 | 1 | 1011186 | SKIN, SIDE, MID, INBRD, RH |
| 6 | 1 | 1011189 | SKIN, SIDE, MID, OUTBRD, RH |
| 7 | 1 | 1011190 | SKIN, SIDE, AFT, INBRD, RH |
| 8 | 1 | 1011193 | SKIN, SIDE, AFT, OUTBRD, RH |
| 9 | 1 | 1011331 | SKIN, SIDE, MID, OUTBRD, RH |
| 10 | 1 | 1011332 | SKIN, SIDE, MID, INBRD, RH |
| 11 | 3 | MS35489-31 | GROMMET, 1/8 ID, 9/16 HOLE, .125 PANEL (FOR CABLE, NOT PICTURED) |
| 12 | 1 | MS35489-4 | GROMMET, 3/16 ID, 5/16 HOLE, .062 PANEL (FOR HYD LINE, NOT PICTURED) |

LEFT FLOAT SIDE SKINS



| ITEM | QTY | PART NO. | PART DESCRIPTION |
|------|-----|------------|--|
| 1 | 1 | 1011180 | SKIN, SIDE, FWD, LH |
| 2 | 1 | 1011181 | SKIN, SIDE, FWD, RH |
| 3 | 1 | 1011183 | SKIN, SIDE, MID, INBRD, LH |
| 4 | 1 | 1011184 | SKIN, SIDE, MID, OUTBRD, LH |
| 5 | 1 | 1011187 | SKIN, SIDE, MID, INBRD, LH |
| 6 | 1 | 1011188 | SKIN, SIDE, MID, OUTBRD, LH |
| 7 | 1 | 1011191 | SKIN, SIDE, AFT, INBRD, LH |
| 8 | 1 | 1011192 | SKIN, SIDE, AFT, OUTBRD, LH |
| 9 | 1 | 1011330 | SKIN, SIDE, MID, OUTBRD, LH |
| 10 | 1 | 1011333 | SKIN, SIDE, MID, INBRD, LH |
| 11 | 3 | MS35489-31 | GROMMET, 1/8 ID, 9/16 HOLE, .125 PANEL (FOR CABLE, NOT PICTURED) |
| 12 | 1 | MS35489-4 | GROMMET, 3/16 ID, 5/16 HOLE, .062 PANEL (FOR HYD LINE, NOT PICTURED) |

CANOE PADDLE



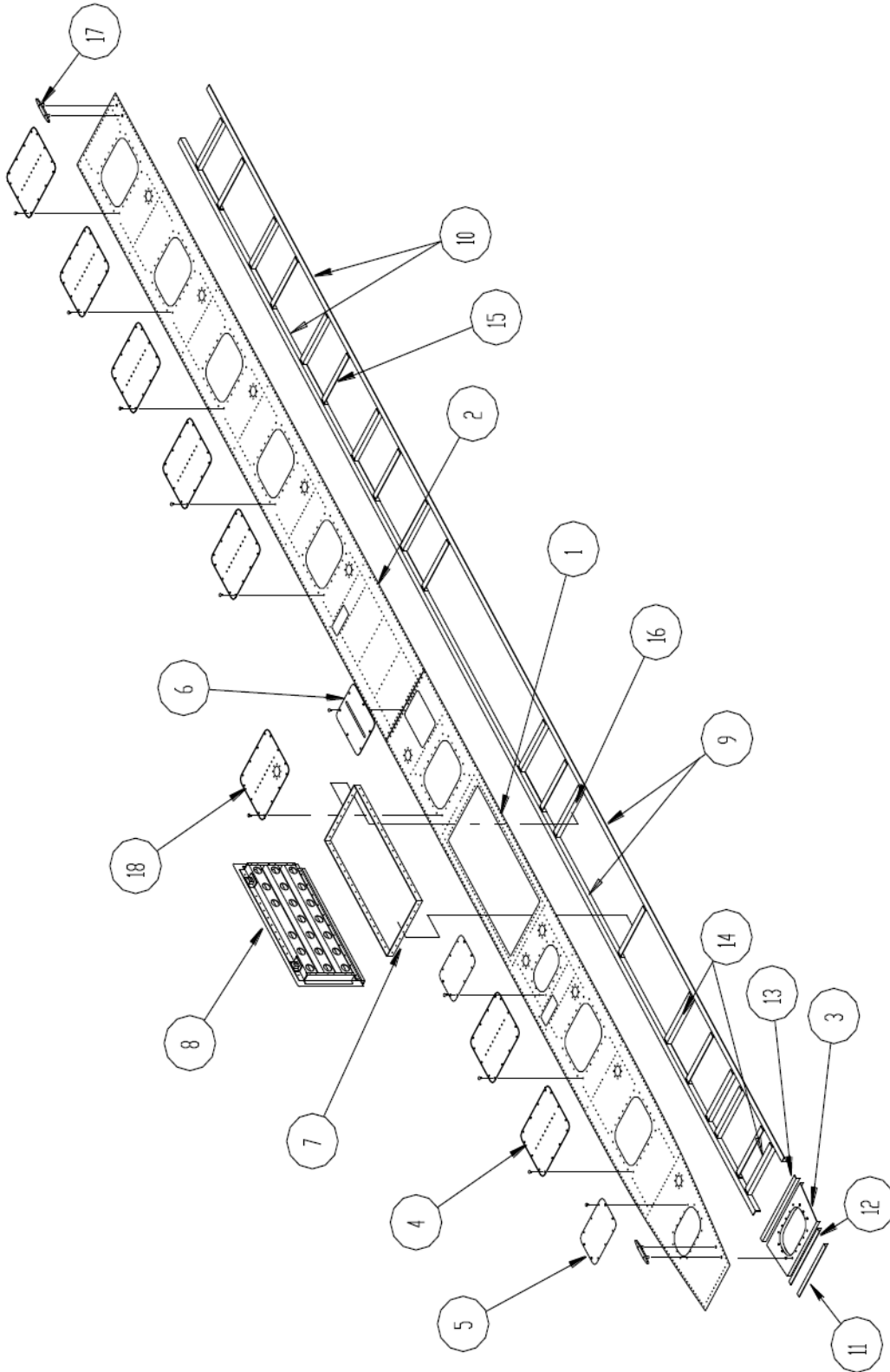
| ITEM | QTY | PART NO. | PART DESCRIPTION |
|------|-----|----------|------------------------------|
| 1 | 1 | 1005676 | BRACKET, CANOE PADDLE STOP |
| 2 | 1 | 1005677 | CLIP, MOUNTING, CANOE PADDLE |
| 3 | 1 | 1005678 | BRACKET, CANOE PADDLE |
| 4 | 1 | 1012328 | CANOE PADDLE, 5.5 FT |

SECTION 4 TOP DECK ASSEMBLY

CONTENTS

| | |
|----------------------------|----|
| TOP DECK - AMPHIBIAN | 46 |
| TOP DECK - SEAPLANE | 49 |

TOP DECK - AMPHIBIAN

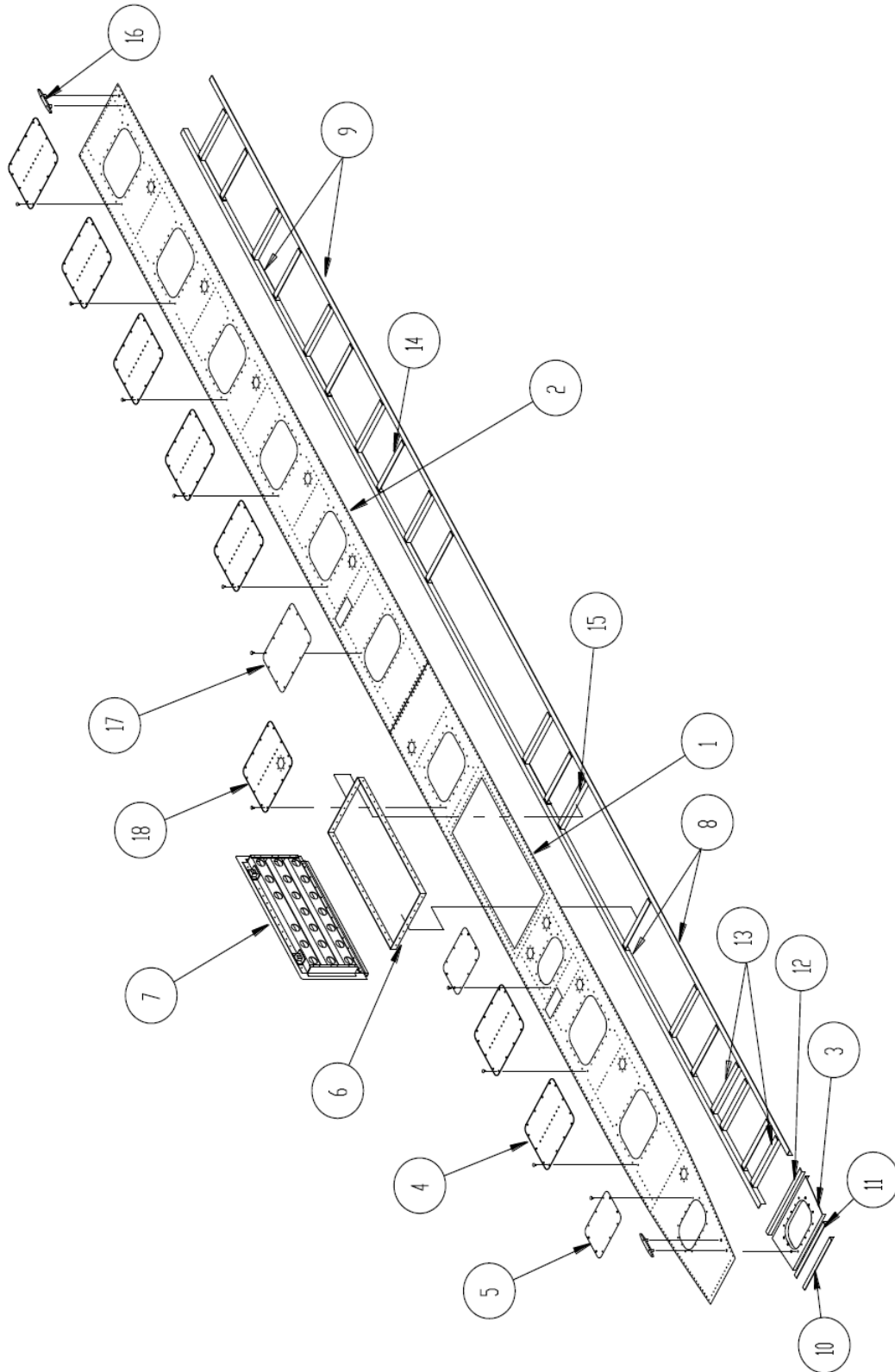


PARTS MANUAL
3450 FLOATS ON CESSNA 185

| ITEM | QTY | PART NO. | PART DESCRIPTION |
|------|-----|-------------------|--|
| 1 | 1 | 34A01148-015 | SKIN – FWD SECTION L. |
| | 1 | 1005565 | SKIN – FWD SECTION L. (ALUM. GEAR) |
| | 1 | 34A01148-016 | SKIN – FWD SECTION R. |
| | 1 | 1005566 | SKIN – FWD SECTION R. (ALUM. GEAR) |
| 2 | 1 | 34A01148-017 | SKIN – AFT SECTION L. |
| | 1 | 34A01148-018 | SKIN – AFT SECTION R. |
| 3 | 1 | 21A01002-131 | SUPPORT – INSP. COVER – SMALL |
| | A/R | 1002481 | NUT – TINNERMAN & INSULATOR |
| 4 | 7 | 21A01000-258 | INSP. COVER – LARGE - W/ ANGLE & GASKETS |
| | A/R | SS TATP 8 X 5/8 | SCREW – ATTACH |
| | 7 | 1001437 | SEAL – GASKET ONLY |
| 5 | 2 | 21A01000-284 | INSP. COVER – SMALL & GASKETS |
| | A/R | SS TATP 8 X 5/8 | SCREW – ATTACH |
| | 2 | 1001728 | SEAL – GASKET ONLY |
| 6 | 1 | 30A01002-203 | COVER – GEAR INDICATOR L. |
| | 1 | 30A01002-202 | COVER – GEAR INDICATOR R. |
| | 1 | 10A3-6338-1 | PLACARD – DOWN - LAND |
| | 1 | 10A3-6338-2 | PLACARD – UP - WATER |
| | 2 | 2600-3 | SCREW – CAM - LOK |
| | 4 | 1126000-5 | SCREW – CAM – LOK |
| | 6 | 212-12N | RECEPTACLE – CAM – LOK |
| 7 | 1 | 30A01162-042 | JAMB – BAGGAGE DOOR |
| | 1 | 1001573 | JAMB – BAGGAGE DOOR, HINGE SIDE |
| 8 | 1 | 30A01000-324 | ASSY – BAGGAGE DOOR |
| | 1 | 30A01162-041 | COVER - SKIN |
| | 1 | 30A01741-006 | HINGE |
| | 1 | 30A01004-145 | STIFFENER – DOOR |
| | 2 | 30A01004-144 | STIFFENER - DOOR |
| | 2 | 4A01004-049 | STIFFENER ENDS |
| | 2 | 3A01206-001 | RETAINER - LOCK |
| | 2 | 3A01273-004 | LOCK PIN |
| | 2 | 3A01702-004 | CATCH – LATCH |
| | 2 | 3A01525-003 | LOCK SPRING |
| | 2 | 1002663 | RING – OPENING |
| | 1 | 1001499 | SEAL – GASKET (NOT SHOWN) |
| | 1 | 30A01741-007 | HINGE |
| | 1 | 1002186 | HINGE PIN 2.04 |
| | 18 | 01692-0410 | POP RIVET |
| | 2 | SS 10/32 X ½ INCH | SCREW |
| 9 | 1 | 34A01326-031 | TOP RAIL – FWD L. |
| | 1 | 34A01326-032 | TOP RAIL – FWD R. |

| ITEM | QTY | PART NO. | PART DESCRIPTION |
|------|-----|-----------------|--|
| 10 | 1 | 34A01326-033 | TOP RAIL – AFT L. |
| | 1 | 34A01326-034 | TOP RAIL – AFT R. |
| 11 | 1 | 30A01340-175 | STIFFENER |
| 12 | 1 | 30A01340-176 | STIFFENER |
| 13 | 1 | 30A01340-177 | STIFFENER |
| 14 | 2 | 30A01326-032 | STIFFENER |
| 15 | A/R | 30A01326-022 | STIFFENER |
| 16 | 2 | 30A01326-030 | STIFFENER – BAGGAGE DOOR |
| 17 | 2 | 30A01213-007 | CLEAT – TIE DOWN |
| | 4 | AN4-7A | BOLT |
| | 4 | NAS1149D0463J | WASHER |
| | 4 | MS21083N4 | NUT |
| 18 | 1 | 30A01000-359 | INSP. COVER – LRG. W/ ANGLE, & GASKET LEFT |
| | 1 | 30A01000-360 | INSP. COVER – LRG. W/ ANGLE, & GASKET RT. |
| | A/R | SS TATP 8 X 5/8 | SCREW – ATTACH |
| | 1 | 1001437 | GASKET ONLY |

TOP DECK - SEAPLANE



| ITEM | QTY | PART NO. | PART DESCRIPTION |
|------|-----|-------------------|--|
| 1 | 1 | 34A01148-015 | SKIN – FWD SECTION L. |
| | 1 | 34A01148-016 | SKIN – FWD SECTION R. |
| 2 | 1 | 34S01148-043 | SKIN – AFT SECTION L. |
| | 1 | 34S01148-044 | SKIN – AFT SECTION R. |
| 3 | 1 | 21A01002-131 | SUPPORT – INSP. COVER – SMALL |
| | A/R | 1002481 | NUT – TINNERMAN & INSULATOR |
| 4 | 8 | 21A01000-258 | INSP. COVER – LARGE - W/ ANGLE & GASKETS |
| | A/R | SS TATP 8 X 5/8 | SCREW – ATTACH |
| | 8 | 1001437 | SEAL – GASKET ONLY |
| | 1 | 21A01340-103 | STIFFENERS – ANGLE |
| 5 | 2 | 21A01000-284 | INSP. COVER – SMALL & GASKETS |
| | A/R | SS TATP 8 X 5/8 | SCREW – ATTACH |
| | 2 | 1001728 | SEAL – GASKET ONLY |
| 6 | 1 | 30A01162-042 | JAMB – BAGGAGE DOOR |
| | 1 | 1002065 | JAMB – BAGGAGE DOOR, HINGE SIDE |
| 7 | 1 | 30A01000-324 | ASSY – BAGGAGE DOOR |
| | 1 | 30A01162-041 | COVER - SKIN |
| | 1 | 30A01741-006 | HINGE |
| | 1 | 30A01740-007 | HINGE |
| | 1 | 30A01004-145 | STIFFENER – DOOR |
| | 2 | 30A01004-144 | STIFFENER - DOOR |
| | 2 | 4A01004-049 | STIFFENER ENDS |
| | 2 | 3A01206-001 | RETAINER - LOCK |
| | 2 | 3A01273-004 | LOCK PIN |
| | 2 | 3A01702-004 | CATCH – LATCH |
| | 2 | 3A01525-003 | LOCK SPRING |
| | 2 | 1002663 | RING – OPENING |
| | 1 | 1001499 | SEAL – GASKET (NOT SHOWN) |
| | 1 | 1002186 | HINGE PIN 2.04 |
| | 18 | 01692-0410 | POP RIVET |
| 8 | 2 | SS 10/32 X ½ INCH | SCREW |
| | 1 | 34A01326-032 | TOP RAIL – FWD R. |
| 9 | 1 | 34A01326-033 | TOP RAIL – AFT L. |
| | 1 | 34A01326-034 | TOP RAIL – AFT R. |
| 10 | 1 | 30A01340-175 | STIFFENER |
| 11 | 1 | 30A01340-176 | STIFFENER |
| 12 | 1 | 30A01340-177 | STIFFENER |
| 13 | 2 | 30A01326-032 | STIFFENER |
| 14 | A/R | 30A01326-022 | STIFFENER |
| 15 | 2 | 30A01326-030 | STIFFENER – BAGGAGE DOOR |
| 16 | 2 | 30A01213-007 | CLEAT – TIE DOWN |

PARTS MANUAL
3450 FLOATS ON CESSNA 185

| ITEM | QTY | PART NO. | PART DESCRIPTION |
|------|-----|-----------------|--|
| | 4 | NAS1149D0463J | WASHER |
| | 4 | MS21083N4 | NUT |
| 17 | 1 | 21S01000-399 | INSP. COVER – MED. W/ GASKET |
| | A/R | SS TATP 8 X 5/8 | SCREW ATTACH |
| | 1 | 21S01567-013 | GASKET ONLY |
| 18 | 1 | 30A01000-360 | INSP. COVER – LRG. W/ ANGLE & GASKET LEFT |
| | 1 | 30A01000-359 | INSP. COVER – LRG. W/ ANGLE & GASKET RIGHT |
| | A/R | SS TATP 8 X 5/8 | SCREW ATTACH |
| | 1 | 1001437 | GASKET |

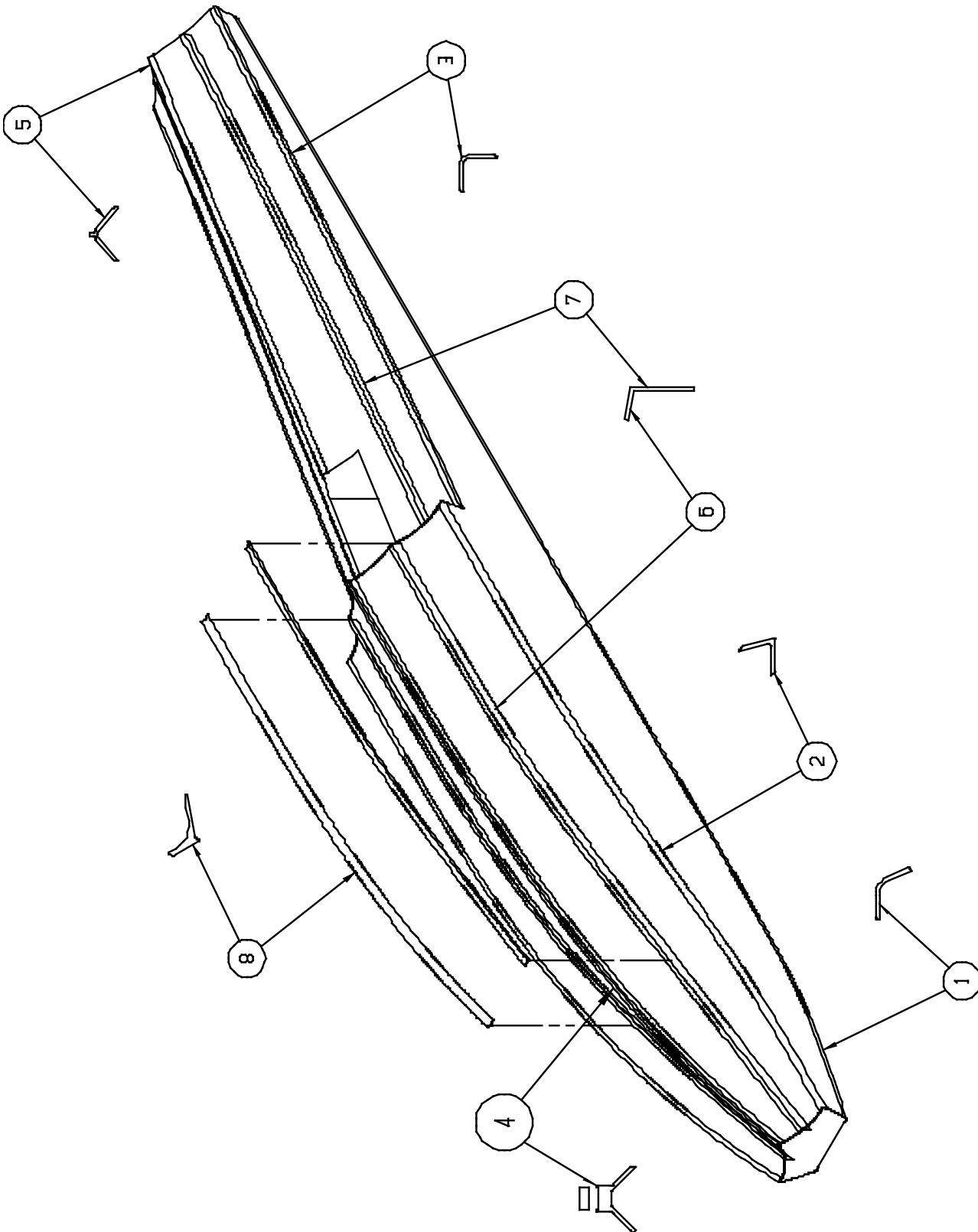
THIS PAGE INTENTIONALLY LEFT BLANK

SECTION 5 EXTRUSIONS

CONTENTS

| | |
|-----------------------------------|----|
| HULL EXTRUSIONS - AMPHIBIAN | 54 |
| HULL EXTRUSIONS - SEAPLANE | 56 |

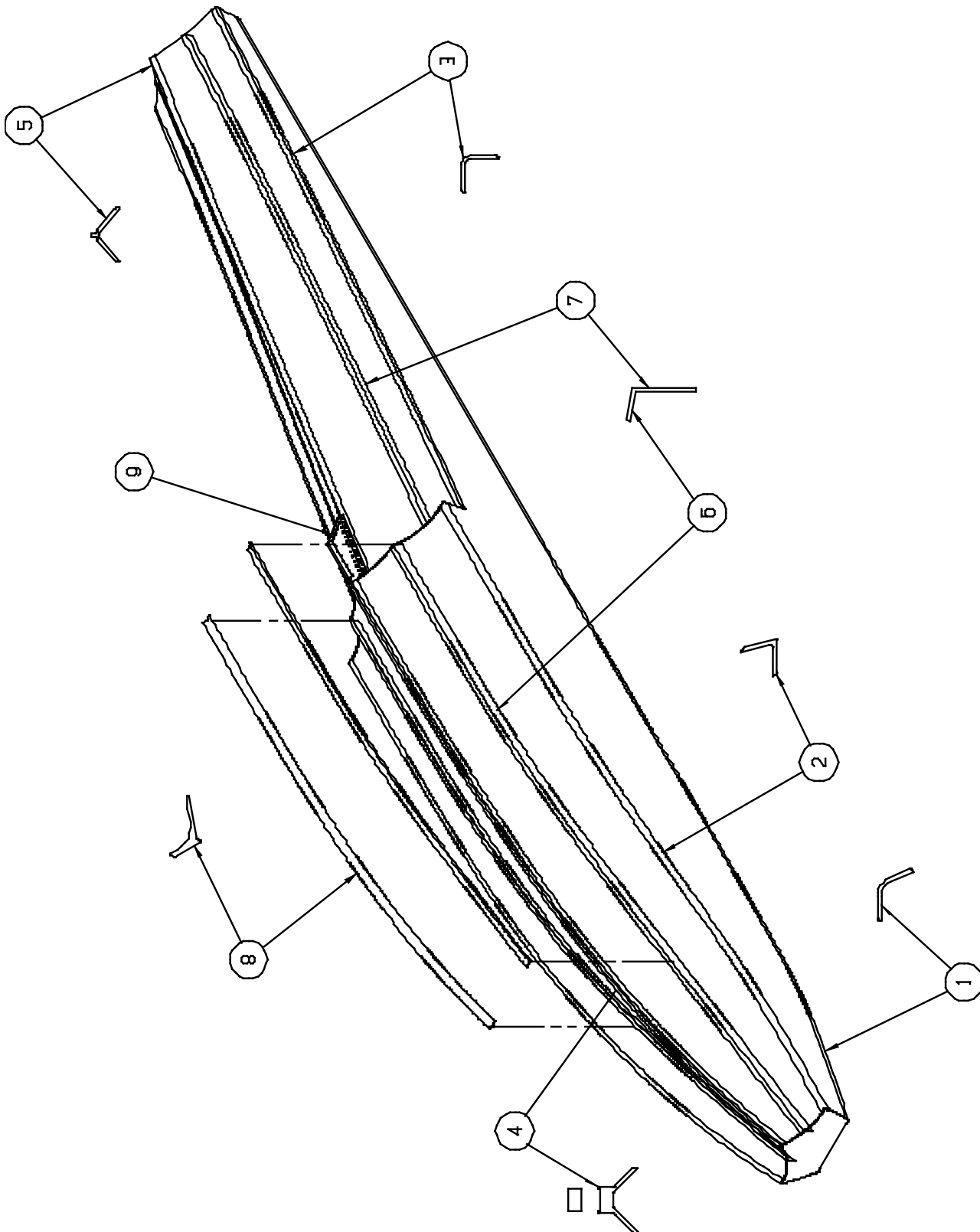
HULL EXTRUSIONS - AMPHIBIAN



PARTS MANUAL
3450 FLOATS ON CESSNA 185

| ITEM | QTY | PART NO. | PART DESCRIPTION |
|------|-----|--------------|------------------------|
| 1 | 1 | 34A01324-007 | GUNWALL – L. INBOARD |
| | 1 | 34A01324-008 | GUNWALL – R. INBOARD |
| | 1 | 34A01324-009 | GUNWALL – L. OUTBOARD |
| | 1 | 34A01324-010 | GUNWALL – R. OUTBOARD |
| 2 | 1 | 34A01394-145 | CHINE - FWD L. |
| | 1 | 34A01394-146 | CHINE – FWD R. |
| 3 | 1 | 34A01395-003 | CHINE – AFTERBODY L. |
| | 1 | 34A01395-004 | CHINE – AFTERBODY R. |
| 4 | 1 | 34A01377-002 | KEEL - MAIN |
| | 1 | 3A01200-001 | STRIP, WEAR |
| 5 | 1 | 34A01425-002 | KEEL - AFTERBODY |
| 6 | 1 | 34A01361-041 | SISTER KEEL – FWD L. |
| | 1 | 34A01361-042 | SISTER KEEL – FWD R. |
| 7 | 1 | 34A01361-043 | SISTER KEEL – AFT L. |
| | 1 | 34A01361-044 | SISTER KEEL – AFT R. |
| 8 | 1 | 34A01342-011 | SISTER KEEL – OUTER L. |
| | 1 | 34A01342-012 | SISTER KEEL – OUTER R. |

HULL EXTRUSIONS - SEAPLANE



PARTS MANUAL
3450 FLOATS ON CESSNA 185

| ITEM | QTY | PART NO. | PART DESCRIPTION |
|------|-----|--------------|------------------------------|
| 1 | 1 | 34A01324-007 | GUNWALL – L. INBOARD |
| | 1 | 34A01324-008 | GUNWALL – R. INBOARD |
| | 1 | 34A01324-009 | GUNWALL – L. OUTBOARD |
| | 1 | 34A01324-010 | GUNWALL – R. OUTBOARD |
| 2 | 1 | 34A01394-145 | CHINE - FWD L. |
| | 1 | 34A01394-146 | CHINE – FWD R. |
| 3 | 1 | 34A01395-003 | CHINE – AFTERBODY L. |
| | 1 | 34A01395-004 | CHINE – AFTERBODY R. |
| 4 | 1 | 34A01377-002 | KEEL - MAIN |
| | 1 | 3A01200-001 | STRIP, WEAR |
| 5 | 1 | 34S01425-002 | KEEL - AFTERBODY |
| 6 | 1 | 34A01361-041 | SISTER KEEL – FWD L. |
| | 1 | 34A01361-042 | SISTER KEEL – FWD R. |
| 7 | 1 | 34S01361-045 | SISTER KEEL – AFT L. |
| | 1 | 34S01361-046 | SISTER KEEL – AFT R. |
| 8 | 1 | 34A01342-011 | SISTER KEEL – OUTER L. |
| | 1 | 34A01342-012 | SISTER KEEL – OUTER R. |
| 9 | 1 | 30S01163-085 | ANGLE SUPPORT – AFTERBODY L. |
| | 1 | 30S01163-086 | ANGLE SUPPORT – AFTERBODY R. |

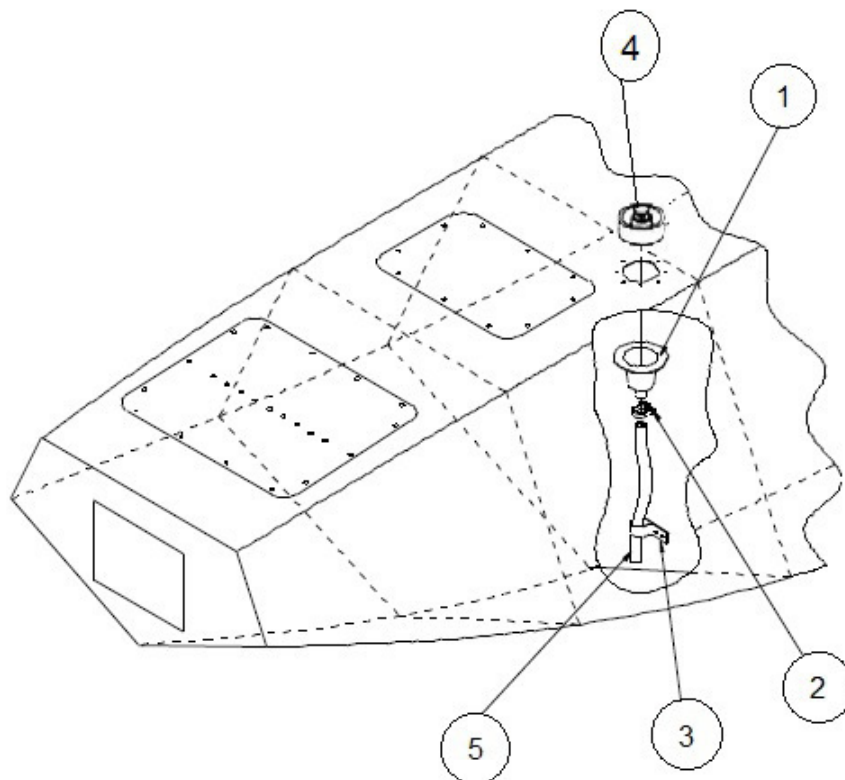
THIS PAGE INTENTIONALLY LEFT BLANK

SECTION 6 PUMPER TUBE INSTALLATION

CONTENTS

| | |
|-------------------|----|
| PUMPER TUBE | 60 |
|-------------------|----|

PUMPER TUBE



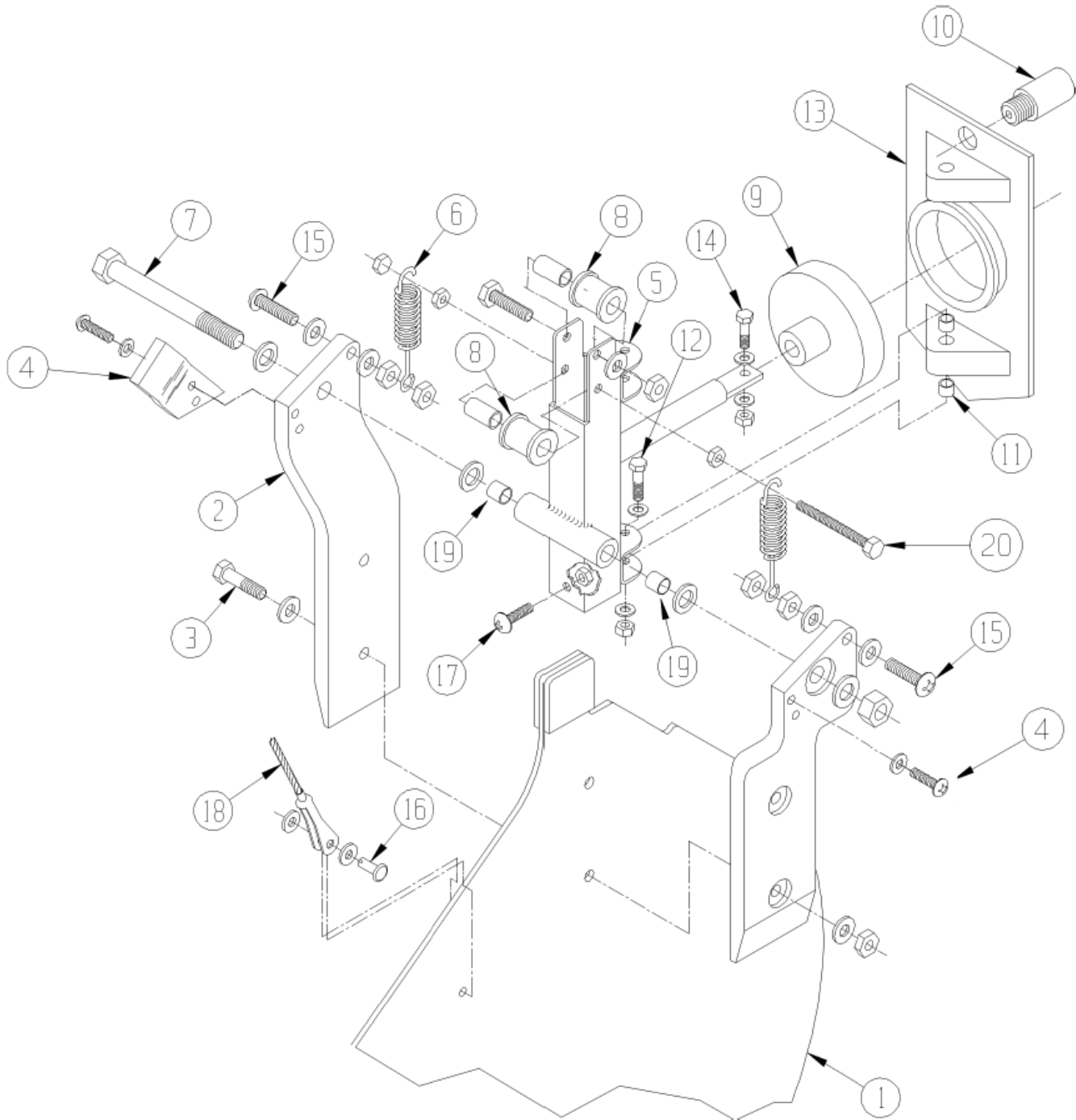
| ITEM | QTY | PART NO. | PART DESCRIPTION |
|------|-----|--------------|---|
| 1 | 1 | 1011004 | ASSEMBLY, CUP, PUMPOUT, DUCKBILL |
| | 1 | 4A01749-001 | CUP – PUMPOUT ALUM. |
| | 1 | 1011808 | RETAINER, VALVE, DUCKBILL, PUMPOUT PLUG |
| 2 | 1 | 57134 | CLAMP – UPPER END |
| 3 | 1 | 3A01158-003 | CLAMP – LOWER END |
| 4 | 1 | 1011870 | VALVE, DUCKBILL (NEW VERSION) |
| | 1 | 2111 | STOPPER – PUMPER TUBE |
| 5 | 1 | 30A01618-064 | PUMPOUT TUBE 18.5 IN. |
| | 1 | 30A01618-065 | PUMPOUT TUBE 24.5 |
| | 1 | 30A01618-066 | PUMPOUT TUBE 26.5 |
| | 1 | 30A01618-067 | PUMPOUT TUBE 29.0 |
| | 1 | 30A01618-068 | PUMPOUT TUBE 23.0 |
| | 1 | 30A01618-069 | PUMPOUT TUBE 26.5 |
| | 1 | 30A01618-070 | PUMPOUT TUBE 22.0 |
| | 1 | 30A01618-071 | PUMPOUT TUBE 18.0 |
| | 1 | 30A01618-072 | PUMPOUT TUBE 15.5 |
| | 1 | 30A01618-073 | PUMPOUT TUBE 12.5 |
| | 1 | 30A01618-074 | PUMPOUT TUBE 25.0 |

SECTION 7 WATER RUDDER, STEERING, AND RETRACT CABLES

CONTENTS

| | |
|---|----|
| WATER RUDDER INSTALLATION..... | 62 |
| STEERING CABLES | 64 |
| RETRACT CABLES..... | 65 |
| STEERING & RETRACT SYSTEM INSTALLATION..... | 66 |
| RETRACT HANDLE ASSEMBLY | 68 |

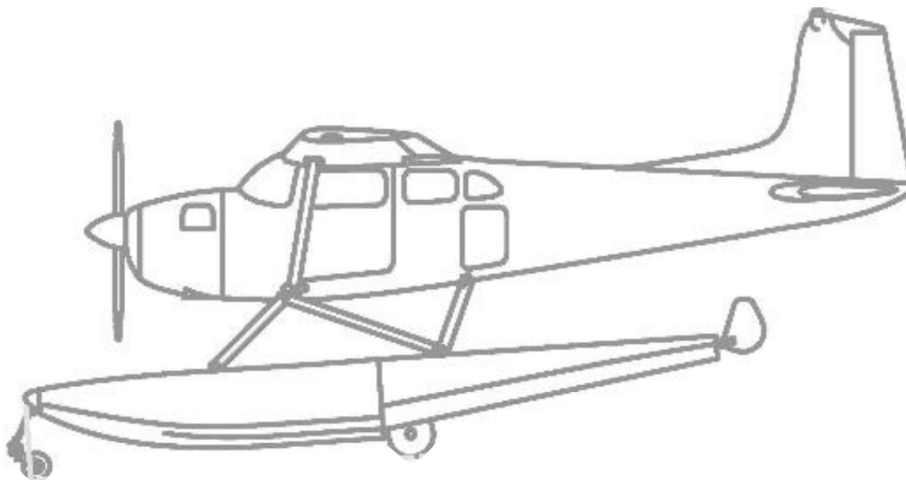
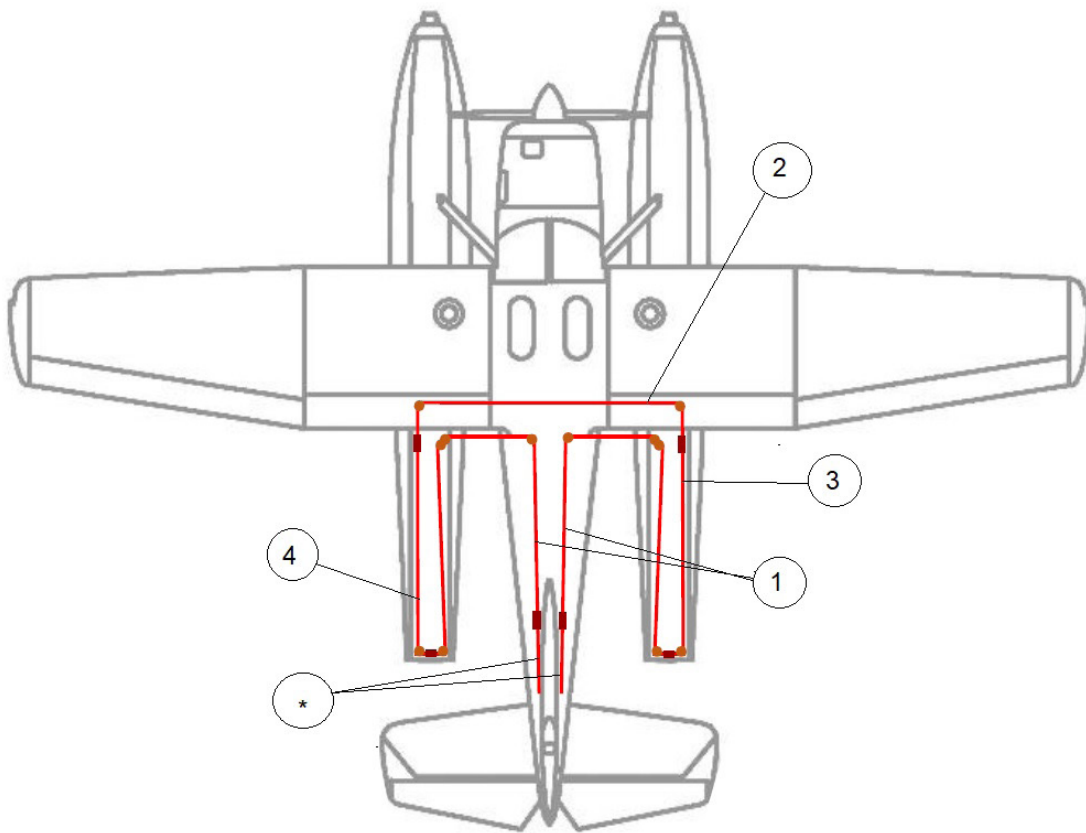
WATER RUDDER INSTALLATION



PARTS MANUAL
3450 FLOATS ON CESSNA 185

| ITEM | QTY | PART NO. | PART DESCRIPTION |
|------|-----|---------------|--------------------------------|
| 1 | 1 | 4A08000-094 | ASS'Y - BLADE |
| | 1 | 4A08000-062 | BLADE |
| 2 | 1 | 4A08197-009 | ARM - BLADE - L.H. |
| | 1 | 4A08197-008 | ARM - BLADE - R.H. |
| 3 | 2 | AN4-10A | BOLT - ARM ATTACH |
| | A/R | NAS1149D0463J | WASHER |
| | 2 | NAS679A4W | NUT |
| 4 | 4 | AN526-1032R10 | SCREW |
| | 4 | MS35333-39 | WASHER - LOCK |
| 5 | 1 | 4A08000-097 | ASS'Y - WATER RUDDER PIVOT |
| 6 | 2 | 4A08525-004 | SPRING, WATER RUDDER RETRACT |
| 7 | 1 | AN6C34A | BOLT - WATER RUDDER HINGE |
| | A/R | NAS1149D0663J | WASHER |
| | 1 | MS21083N6 | NUT |
| 8 | 2 | 3A08606-001 | ROLLER - RETRACT CABLE - LOWER |
| | 2 | 3A08502-001 | BUSHING - ROLLER |
| | 2 | AN3C10A | BOLT - ROLLER (HEX HD. S.S.) |
| | 6 | NAS679A3W | NUT |
| 9 | 1 | 3A08650-001 | BOOT - WATER RUDDER |
| 10 | 1 | 3A08605-001 | GUIDE - WATER RUDDER CABLE |
| 11 | 4 | 03DU-04 | BEARING |
| 12 | 2 | AN3C10A | BOLT - RUDDER POST HINGE |
| | A/R | NAS1149D0363J | WASHER |
| | 2 | NAS679A3W | NUT |
| 13 | 1 | 4A01000-301 | CASTING - PIVOT - WATER RUDDER |
| 14 | 1 | AN3-6A | BOLT - RUDDER TO ARM ATTACH |
| | A/R | NAS1149D0363J | WASHER |
| | 1 | MS21044N3 | NUT |
| 15 | 2 | AN526-428R16 | SCREW - SPRING ATTACH |
| | A/R | NAS1149D0363J | WASHER |
| | 4 | NAS679A3W | NUT |
| 16 | 1 | MS20392-2C11 | PIN - CLEVIS |
| | A/R | NAS1149D0316J | WASHER |
| | 1 | MS24665-151 | COTTER PIN |
| 17 | 1 | AN526-1032R16 | SCREW - RUDDER STOP - DOWN |
| | 1 | NAS679A3W | NUT |
| 18 | 1 | 34A08000-161 | ASS'Y - CABLE - RETRACT |
| 19 | 4 | 06DU08 | BEARING - NYLINER |
| 20 | 1 | 1032 X 2" SS | BOLT |

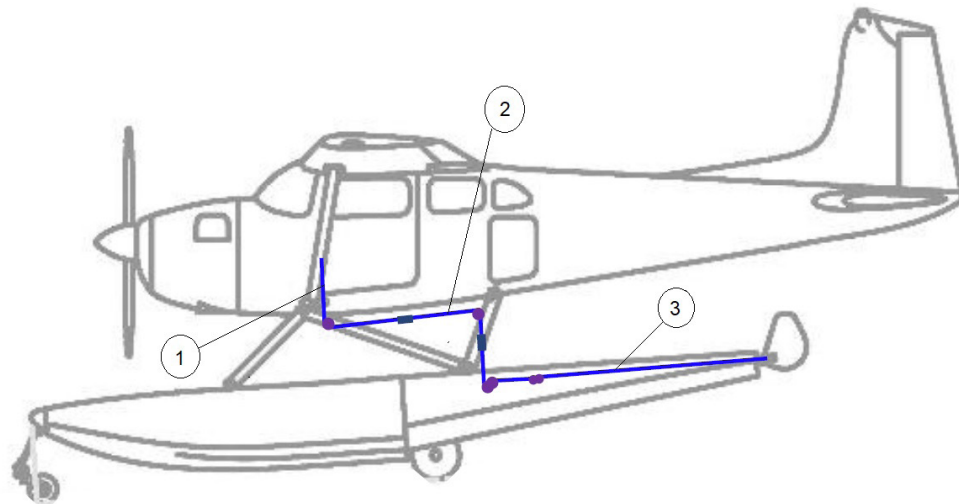
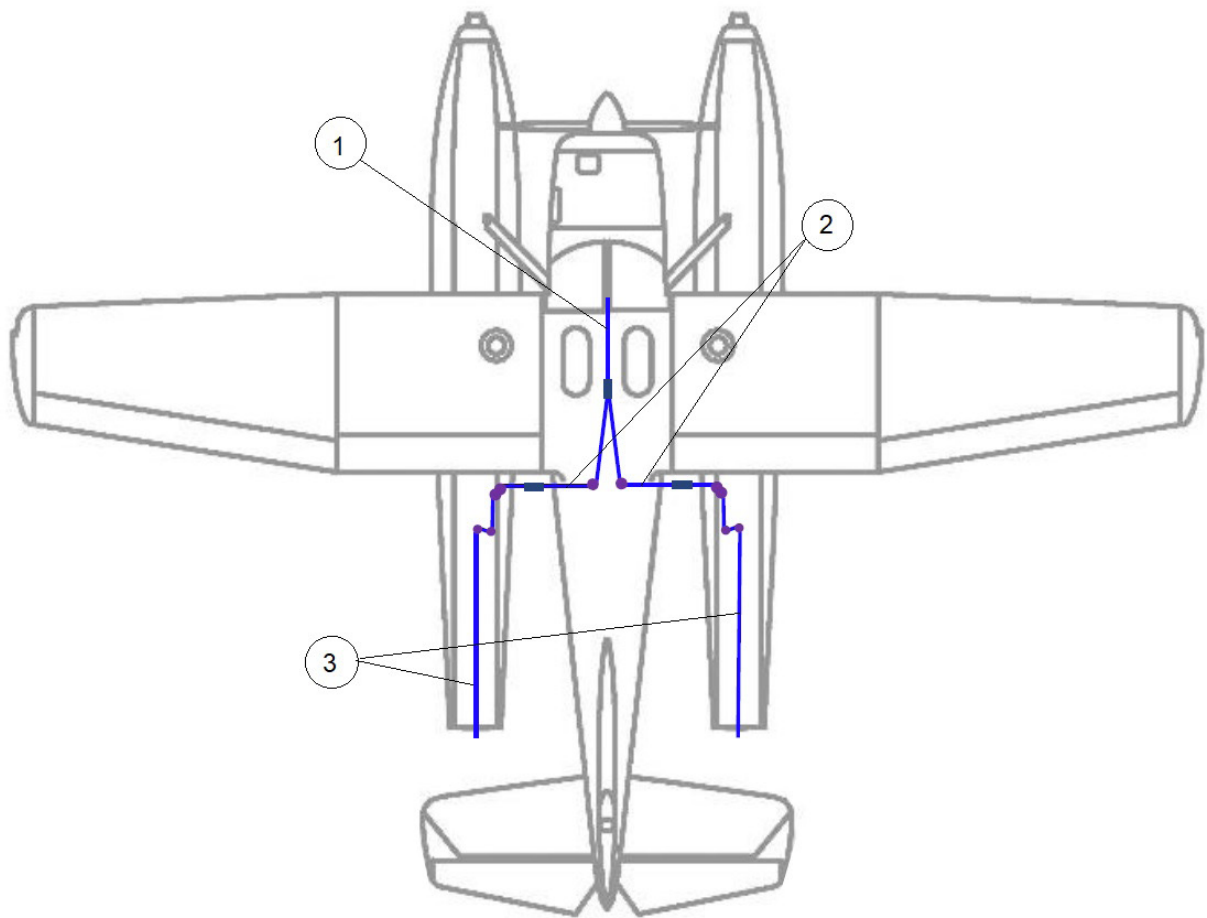
STEERING CABLES



| ITEM | QTY | PART NO. | PART DESCRIPTION |
|------|-----|--------------|--------------------------------|
| 1 | 2 | 34A08000-160 | CABLE ASSY. STEERING |
| 2 | 1 | 1003106 | ASSEMBLY - CABLE, 80.25 INCHES |
| 3 | 1 | 34A08000-158 | CABLE ASSY. BALANCE RT. |
| 4 | 1 | 34A08000-159 | CABLE ASSY. BALANCE LT. |

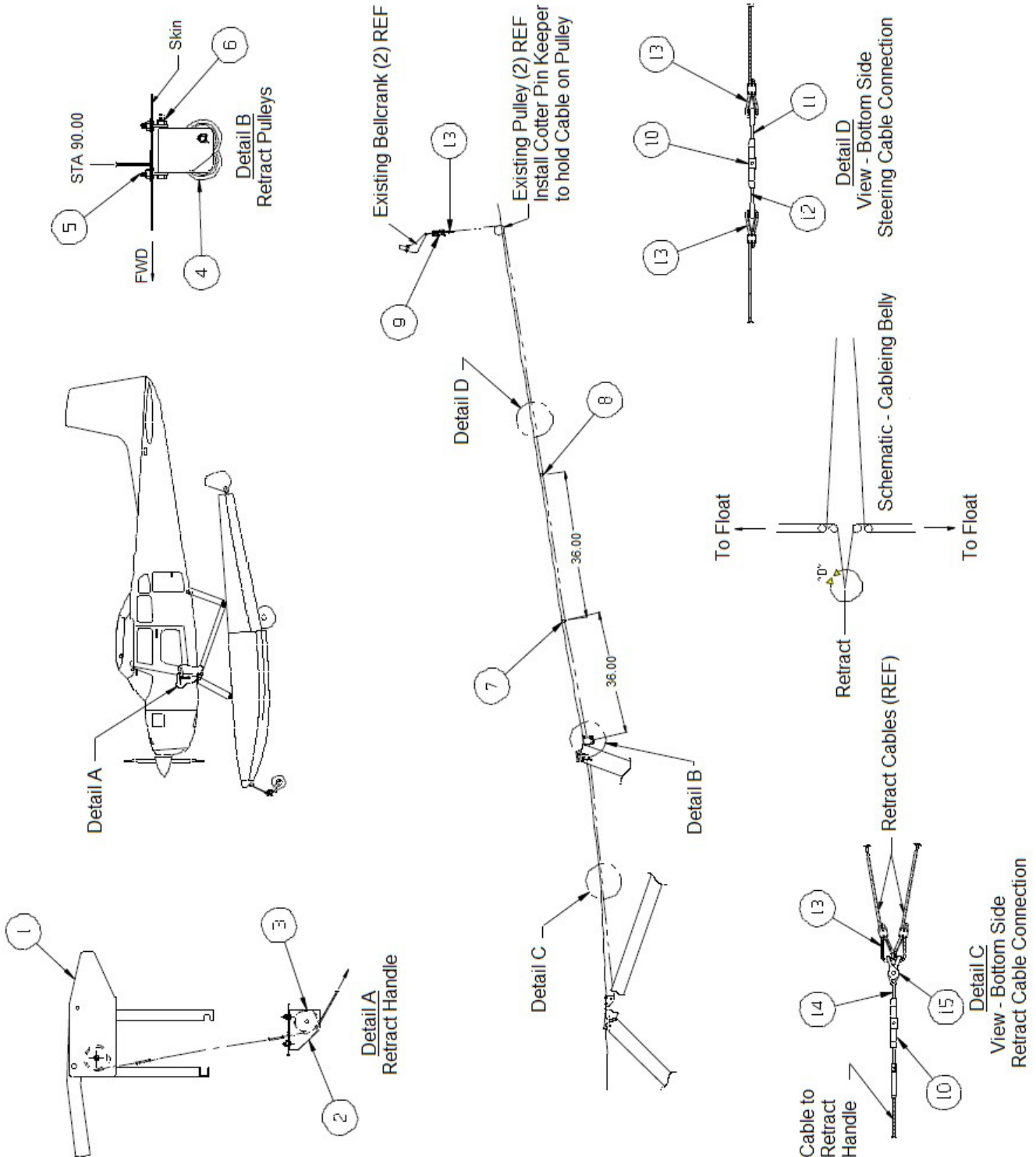
* As aircraft geometry can vary slightly, cable assemblies may need to be altered or additional assemblies may need to be fabricated. See Steering & Retract System Installation parts list for materials.

RETRACT CABLES



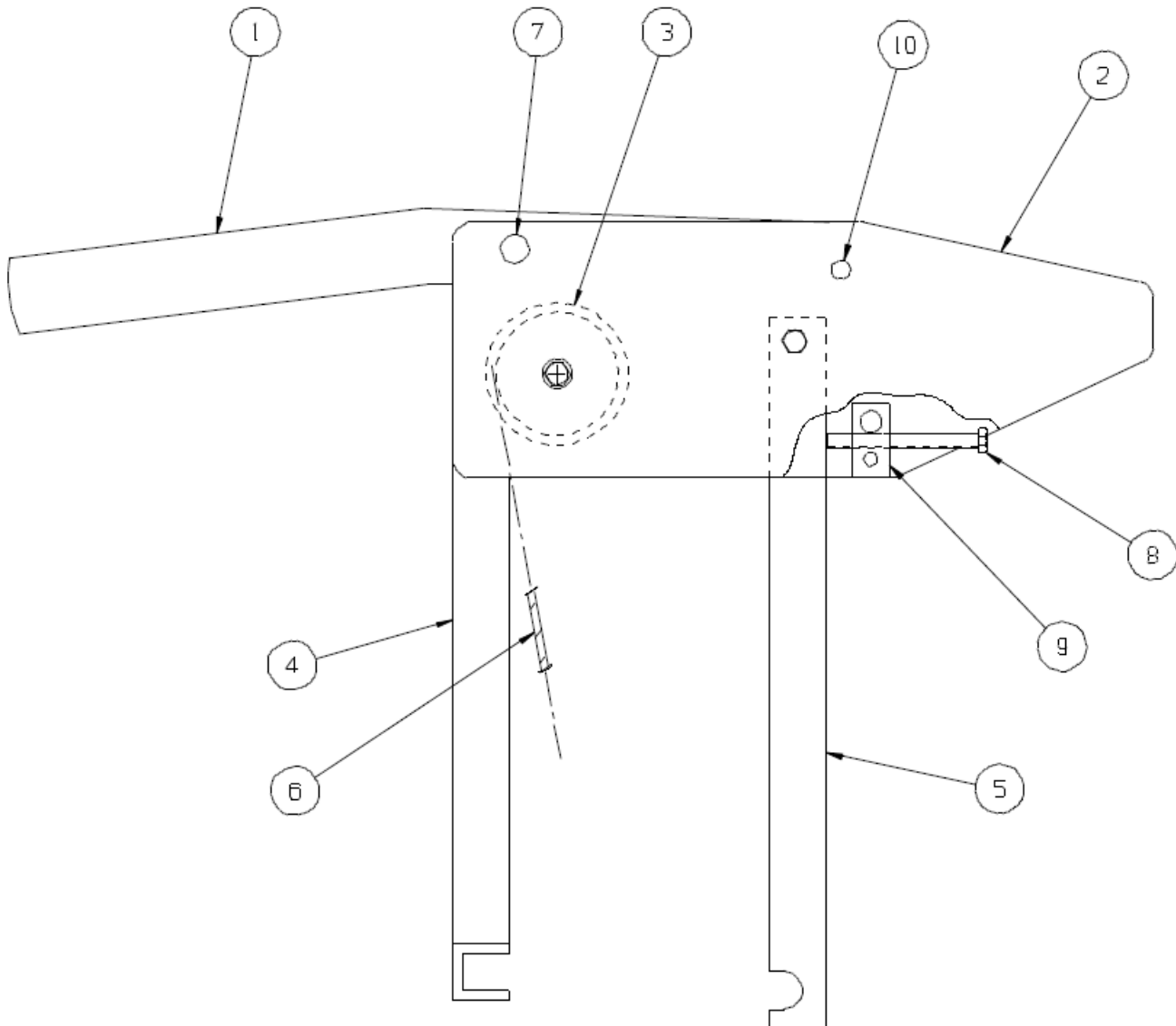
| ITEM | QTY | PART NO. | PART DESCRIPTION |
|------|-----|--------------|-------------------------------|
| 1 | 1 | 4A08000-088 | CABLE ASSY, RETRACT, BELLY |
| 2 | 2 | 4A08000-075 | CABLE ASSY, RETRACT, FUSELAGE |
| 3 | 2 | 34A08000-161 | CABLE ASSY. RETRACT |

STEERING & RETRACT SYSTEM INSTALLATION



| ITEM | QTY | PART NO. | PART DESCRIPTION |
|------|-----|------------------------|--|
| 1 | 1 | 4A08000-087 | ASS'Y. RETRACT HANDLE (SEE DETAIL) |
| 2 | 1 | 3A08151-046 | PULLEY BRACKET |
| | 4 | AN526-832R8 | BOLT |
| | 4 | NAS1149D0316J | WASHER |
| | 4 | MS21044N3 | NUT |
| 3 | 1 | MS20219-2 | PULLEY |
| | 1 | AN4-10A | BOLT |
| | 1 | NAS1149D0463J | WASHER |
| | 1 | MS21044N4 | NUT |
| 4 | 4 | 4A08151-093 | PULLEY BRACKET |
| | 4 | MS20219-2 | PULLEY |
| | 4 | AN4-10A | BOLT |
| | 8 | NAS1149D0463J | WASHER |
| | 4 | MS21044N4 | NUT |
| 5 | 8 | AN42-4A | EYEBOLT |
| | 8 | NAS1149D0363J | WASHER |
| | 8 | AN970-3 | WASHER |
| 6 | 8 | MS21044N3 | NUT |
| | 4 | AN3-25A | BOLT - BRACKET TO EYEBOLT |
| | 4 | NAS1149D0316J | WASHER |
| 7 | 4 | MS21044N3 | NUT |
| | 2 | 4A08153-010 | CABLE GUIDE HOLDER |
| 8 | 2 | 3A08601-003 | GUIDE |
| | 2 | 4A08153-010 | CABLE GUIDE HOLDER |
| 9 | 2 | 0742016-1 | SPRING |
| 10 | 3 | MS21251B3S | TURNBUCKLE - BARREL |
| 11 | 2 | AN170-16RS | EYE - TERMINAL |
| 12 | 2 | MS21255-3LS | EYE - TERMINAL |
| | A/R | AN100-3 | THIMBLE |
| 13 | A/R | 18-2-G | NICOPRESS |
| 14 | 1 | MS21252-3RS | FORK - TERMINAL |
| 15 | 2 | MS20115-3 | SHACKLE |
| | 1 | MS20392-2-19 | PIN - CLEVIS |
| | | | ALT. FOR FACTORY SWEDGING OF CABLE ENDS |
| | A/R | MS21252-3RS | FORKS |
| | A/R | MS21255-3LS OR -3RS | EYES |
| | A/R | AN100-3 | THIMBLES |
| | A/R | MS51844-43 | NICOPRESS |
| | A/R | MS20115-3 | SHACKLES |
| | A/R | RM690 | CABLES - STAINLESS STEEL AIRCRAFT 3/32 X 7 |

RETRACT HANDLE ASSEMBLY



PARTS MANUAL
3450 FLOATS ON CESSNA 185

| ITEM | QTY | PART NO. | PART DESCRIPTION |
|------|-----|-----------------|------------------------|
| - | 1 | 4A08000-087 | ASS'Y – RETRACT HANDLE |
| 1 | 1 | 4A08414-003 | HANDLE |
| 2 | 2 | 3A08003-017 | SIDE PLATE |
| 3 | 1 | MS20219-2 | PULLEY |
| | 1 | AN4-10A | BOLT – ATTACH |
| | 2 | NAS1149DO463P | WASHER |
| | 2 | NAS1149DO432P | WASHER |
| | 1 | NAS679A4W | NUT |
| 4 | 1 | 3A08000-007 | LEG - FWD |
| 5 | 1 | 3A08415-001 | LEG - AFT |
| 6 | 1 | 3A08000-051 | CABLE ASS'Y |
| 7 | 1 | 4A08506-002 | CABLE - SWIVEL |
| 8 | 1 | 1032 X 2INCH SS | SCREW - ADJUSTING |
| 9 | 1 | 3A08061-003 | BLOCK – ADJUSTING |
| 10 | 2 | 3A08702-006 | PIVOT PIN |
| | 2 | NAS1149F0332P | WASHER |
| | 2 | NAS679A3W | NUT |

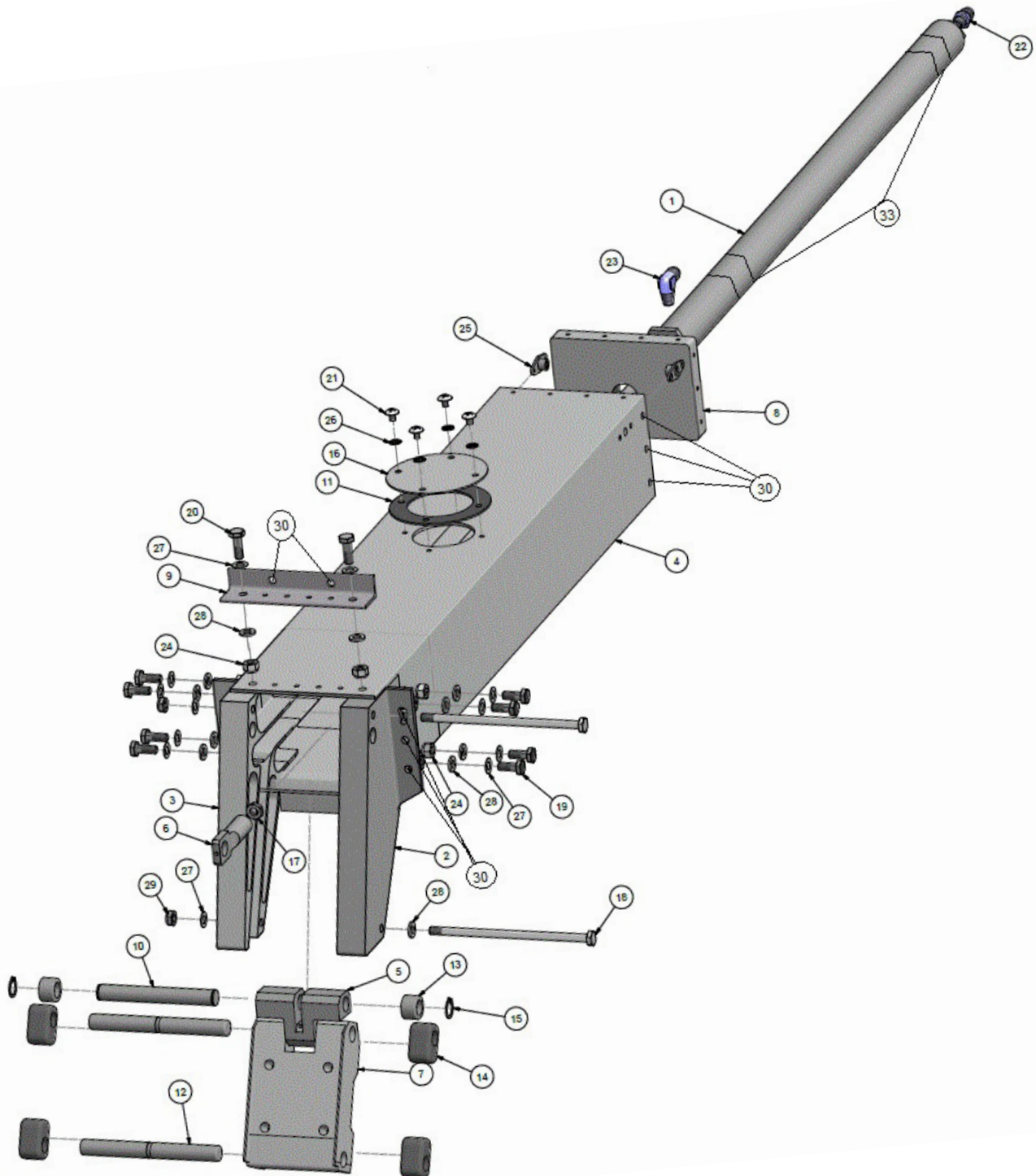
THIS PAGE INTENTIONALLY LEFT BLANK

SECTION 8 LANDING GEAR

CONTENTS

| | |
|--|-----|
| NOSE GEAR RETRACTION ASSEMBLY..... | 72 |
| NOSE GEAR LOWER ASSEMBLY | 74 |
| NOSE WHEEL ASSEMBLY (GROVE)..... | 76 |
| NOSE WHEEL ASSEMBLY (PARKER)..... | 78 |
| MAIN GEAR INSTALLATION..... | 80 |
| MAIN GEAR RETRACTION..... | 82 |
| MAIN GEAR HYDRAULIC INSTALLATION..... | 84 |
| MAIN GEAR WHEEL ASSEMBLY | 86 |
| MAIN GEAR SHOCK ASSEMBLY | 89 |
| MAIN GEAR WITHOUT WHEEL PIVOT FLOAT SERIAL NUMBERS 34315A & 34316A AND LATER | 91 |
| MAIN GEAR WITHOUT WHEEL PIVOT FLOAT SERIAL NUMBERS 34313A & 34314A AND PRIOR | 93 |
| MAIN GEAR WITH WHEEL PIVOT FLOAT SERIAL NUMBERS 34315A & 34316A AND LATER..... | 95 |
| MAIN GEAR WITH WHEEL PIVOT FLOAT SERIAL NUMBERS 34313A & 34314A AND PRIOR..... | 97 |
| MAIN GEAR ASSEMBLY | 99 |
| MAIN GEAR ROTARY ACTUATOR ASSEMBLY..... | 101 |

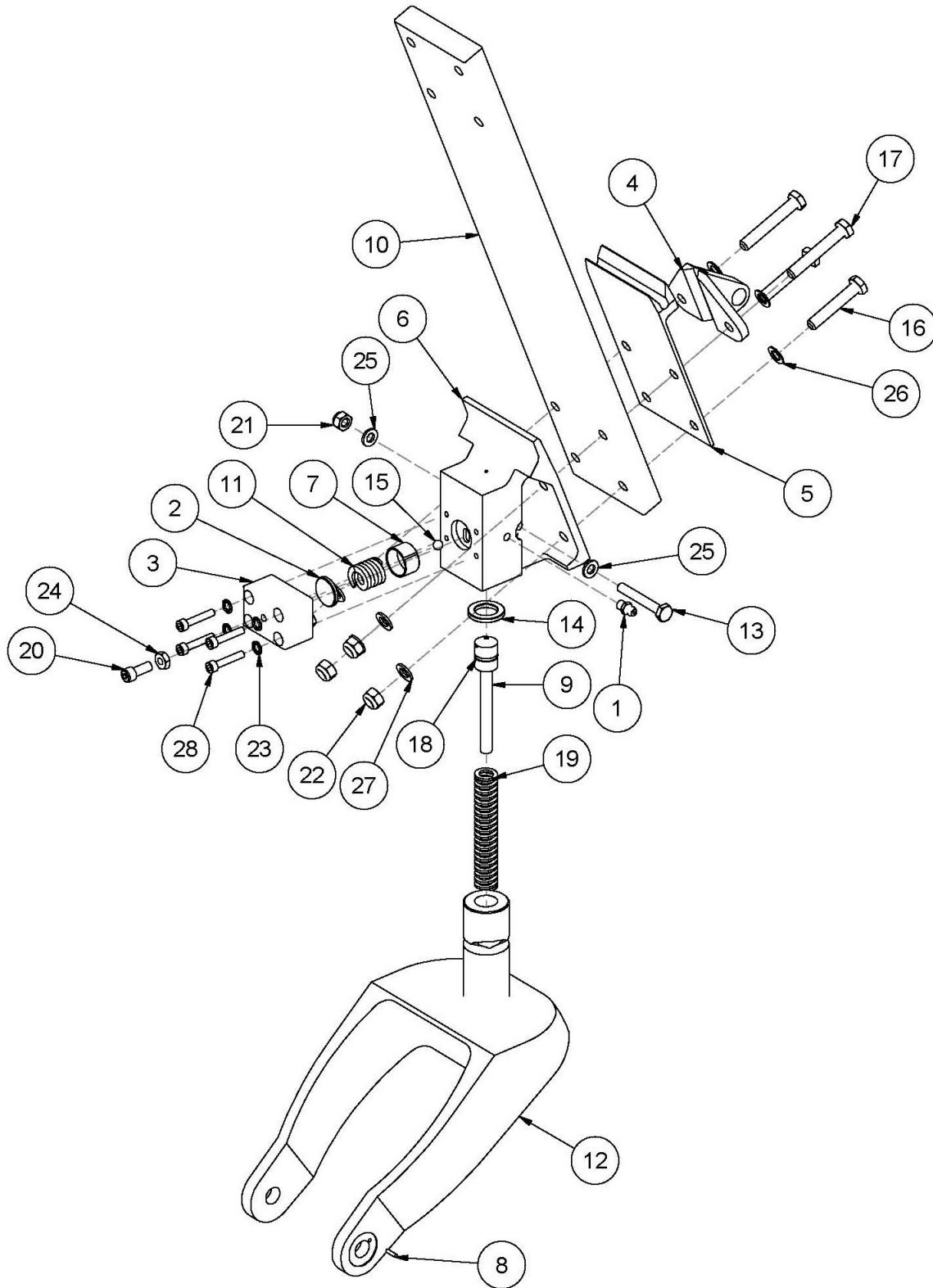
NOSE GEAR RETRACTION ASSEMBLY



PARTS MANUAL
3450 FLOATS ON CESSNA 185

| ITEM | QTY | PART NO. | PART DESCRIPTION |
|------|-----|---------------|--|
| - | - | 30A07000-017 | ASSEMBLY, NOSE BOX, 3000/3450 |
| 1 | 1 | 1002572 | CYLINDER, NOSE GEAR, 3000/3450 |
| 2 | 1 | 1005837 | END, NOSE GEAR TRACK LEFT |
| 3 | 1 | 1005838 | END, NOSE GEAR TRACK, RIGHT |
| 4 | 1 | 1005857 | NOSE BOX, 3000 FLOAT |
| 5 | 1 | 21A07032-005 | LINK - TROLLEY, NOSE GEAR |
| 6 | 1 | 21A07094-002 | END - ROD, CYLINDER, NOSE GEAR |
| 7 | 1 | 21A07187-009 | TROLLEY - NOSE GEAR |
| 8 | 1 | 21A07237-002 | END CAP, NOSE BOX |
| 9 | 1 | 21A07359-194 | EXTRUSION, ANGLE |
| 10 | 1 | 21A07509-007 | AXLE, TROLLEY LINK |
| 11 | 1 | 30A07567-011 | GASKET, COVER, NOSE BOX, 2100 AND 3000 |
| 12 | 2 | 34A07509-008 | AXLE, TROLLEY |
| 13 | 2 | 3A07530-001 | BEARING - TROLLEY, NOSE GEAR |
| 14 | 4 | 3A07604-001 | BLOCK, SLIDE, TROLLEY, NOSE GEAR |
| 15 | 2 | 5100-46-H | SNAP RING |
| 16 | 1 | 8A01008-080 | COVER, BULKHEAD HYD CYL. HOLE |
| 17 | 1 | AN316-5R | NUT |
| 18 | 2 | AN4-53A | BOLT |
| 19 | 8 | AN4-5A | BOLT |
| 20 | 2 | AN4-6A | BOLT |
| 21 | 4 | AN526-1032R4 | SCREW, MACHINE, TRUSS HEAD |
| 22 | 1 | AN816-4D | NIPPLE, FLARED TUBE AND PIPE THREAD |
| 23 | 1 | MS20822-4D | ELBOW |
| 24 | 10 | MS21044N4 | NUT |
| 25 | 2 | MS21078-4 | NUT PLATE |
| 26 | 4 | MS35333-39 | STAR WASHER |
| 27 | 12 | NAS1149D0416J | WASHER |
| 28 | 12 | NAS1149D0463J | WASHER |
| 29 | 2 | NAS679-A4W | KAYNAR NUT |
| 30 | 10 | AN4-5A | BOLT (NOT SHOWN) |
| | 10 | NAS1149D0416J | WASHER (NOT SHOWN) |
| | 10 | MS21044N4 | NUT (NOT SHOWN) |
| 31 | 1 | 34A06656-001 | NOSE SPRING (NOT SHOWN) |
| 32 | 1 | MS35489-23 | GROMMIT (NOT SHOWN) |
| 33 | 2 | 3A07005-178 | CLIP, SWITCH, NOSE & MAIN |

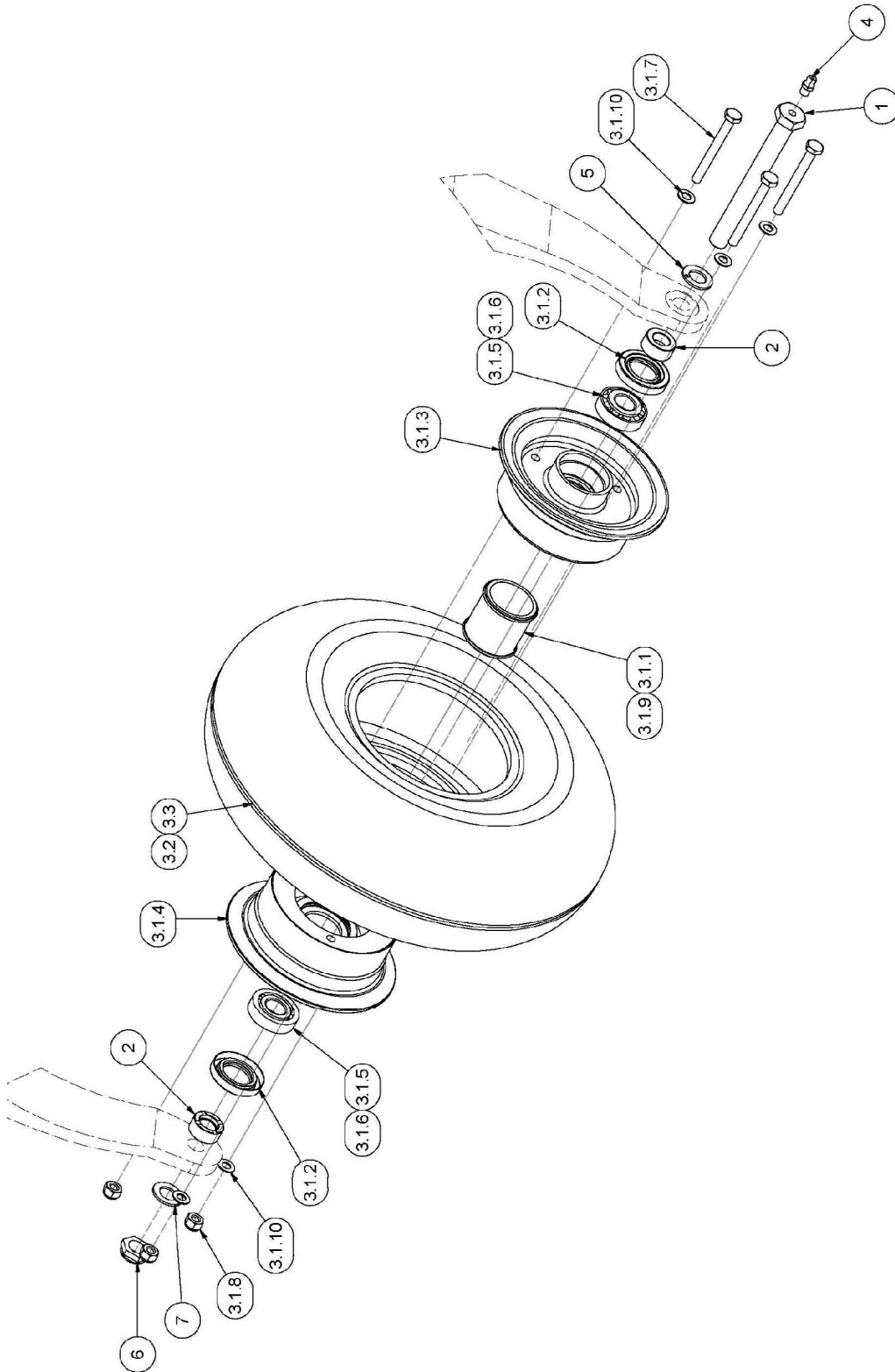
NOSE GEAR LOWER ASSEMBLY



PARTS MANUAL
3450 FLOATS ON CESSNA 185

| ITEM | QTY | PART NO. | PART DESCRIPTION |
|------|-----|---------------|---------------------------------------|
| 1 | 1 | 1095K41 | COMMON GREASEZERK |
| 2 | 1 | 21A06160-053 | PRESSURE PLATE |
| 3 | 1 | 21A06194-005 | BLOCK - SPRING |
| 4 | 1 | 21A06213-006 | TOW HOOK NOSE GEAR |
| 5 | 1 | 21A06237-001 | BEARING PLATE, LOWER, NOSE GEAR |
| 6 | 1 | 21A06318-005 | BLOCK - PIVOT, NOSE GEAR |
| 7 | 1 | 21A06475-006 | FRICITION CUP |
| 8 | 1 | 3A06476-001 | PIN, ANTIROTATION |
| 9 | 1 | 21A06605-002 | PLUNGER- NOSE WHEEL, 21, 23, 3, 34 |
| 10 | 1 | 34A06656-001 | SPRING NOSE GEAR |
| 11 | 1 | 21A06705-005 | PRESSURE SPRING |
| 12 | 1 | 30A06000-024 | ASSEMBLY, - PIVOT AND FORK, NOSE GEAR |
| 13 | 1 | 30A06702-016 | BOLT - MODIFIED, PIVOT BLOCK |
| 14 | 1 | 3A06602-001 | THRUST WASHER |
| 15 | 1 | 9528K15 | 1/4" CHROME BALL BEARING |
| 16 | 2 | AN5-15A | BOLT |
| 17 | 2 | AN5-17A | BOLT |
| 18 | 1 | MS28775-111 | O-RING |
| 19 | 1 | M62-350 | SPRING |
| 20 | 1 | MS16997-60 | BOLT |
| 21 | 1 | MS21044N4 | NUT |
| 22 | 4 | MS21044N5 | NUT |
| 23 | 4 | MS35333-39 | STAR WASHER |
| 24 | 1 | MS35649-2252 | NUT |
| 25 | 2 | NAS1149D0463J | WASHER |
| 26 | 4 | NAS1149F0532P | WASHER |
| 27 | 4 | NAS1149F0563P | WASHER |
| 28 | 4 | NAS1352-3-18P | BOLT |

NOSE WHEEL ASSEMBLY (GROVE)

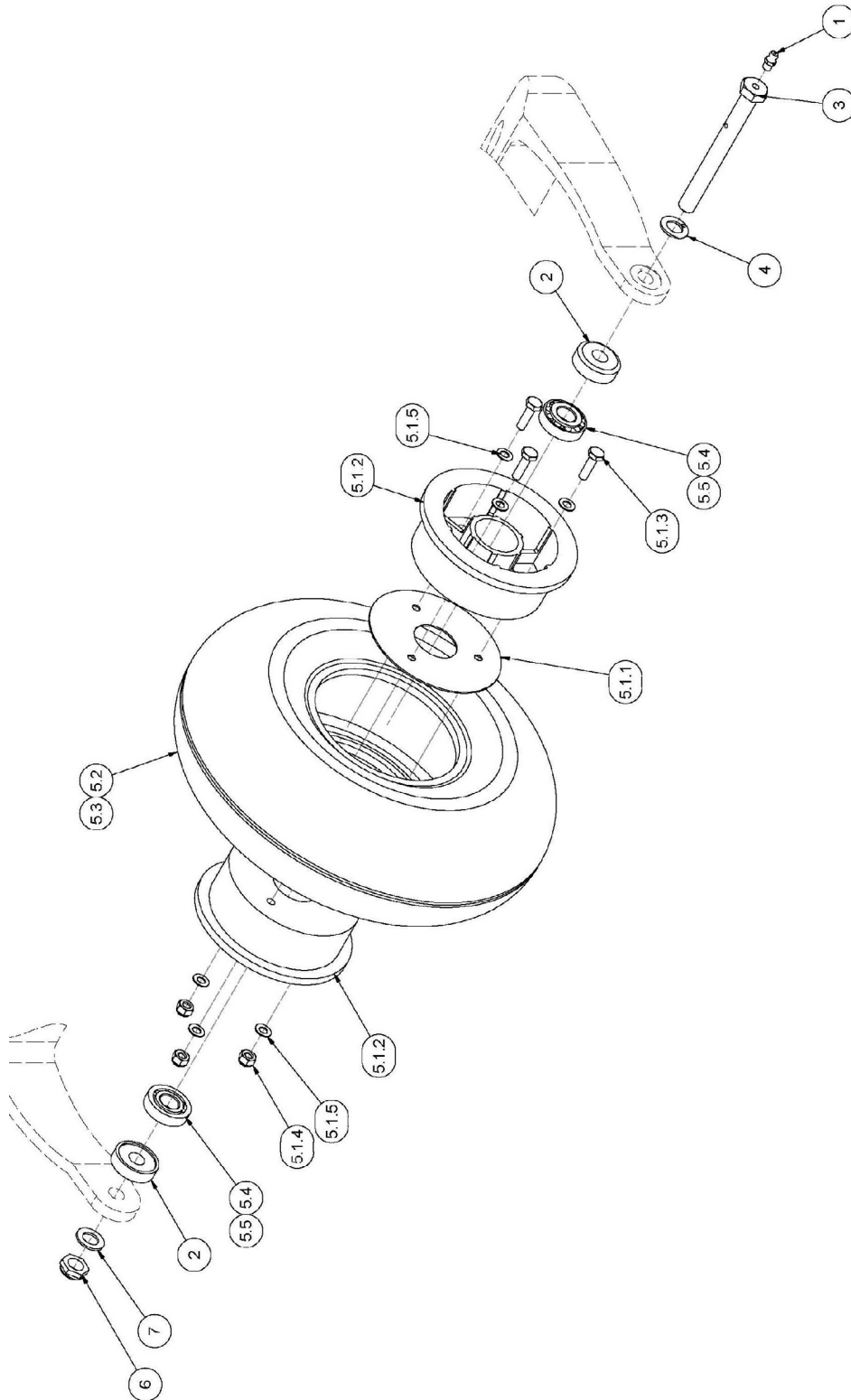


PARTS MANUAL
3450 FLOATS ON CESSNA 185

| ITEM | QTY | PART NO. | PART DESCRIPTION |
|--------|-----|---------------|--|
| 1 | 1 | 1005927 | BOLT, MODIFIED, AXLE, NOSE GEAR |
| 2 | 2 | 1005928 | SPACER |
| 3 | 1 | 1006679 | ASSEMBLY, NOSE WHEEL |
| 3.1 | 1 | 49-12AF-001 | WHEEL ASSEMBLY, GROVE |
| 3.1.1 | 1 | 010-019 | GREASE RETAINER |
| 3.1.2 | 2 | 471570 | SEAL, TIMKEN (EQUIVALENT TO GROVE OEM P/N 010-026) |
| 3.1.3 | 1 | 015-020A | WHEEL HALF INNER |
| 3.1.4 | 1 | 016-020AF | WHEEL HALF OUTER |
| 3.1.5 | 2 | A4050 | BEARING CORE |
| 3.1.6 | 2 | A4138 | BEARING CONE |
| 3.1.7 | 3 | AN4-23A | BOLT |
| 3.1.8 | 3 | MS21044N-4 | NUT |
| 3.1.9 | 2 | MS28775-029 | O-RING |
| 3.1.10 | 6 | NAS1149F0416 | WASHER |
| 3.2 | 1 | XA1AB* | TUBE |
| 3.3 | 1 | AD1B2* | TIRE |
| 4 | 1 | 1095K41 | COMMON GREASEZERK |
| 5 | 1 | 3A06702-003 | MODIFIED WASHER |
| 6 | 1 | MS21083N8 | NUT |
| 7 | 1 | NAS1149D0863J | WASHER |

* Any alternate tire (tube type) which is TSO-approved, matches the listed tire's dimensions, and meets its speed/load/ply ratings may be used. Equivalent tubes may also be used.

NOSE WHEEL ASSEMBLY (PARKER)

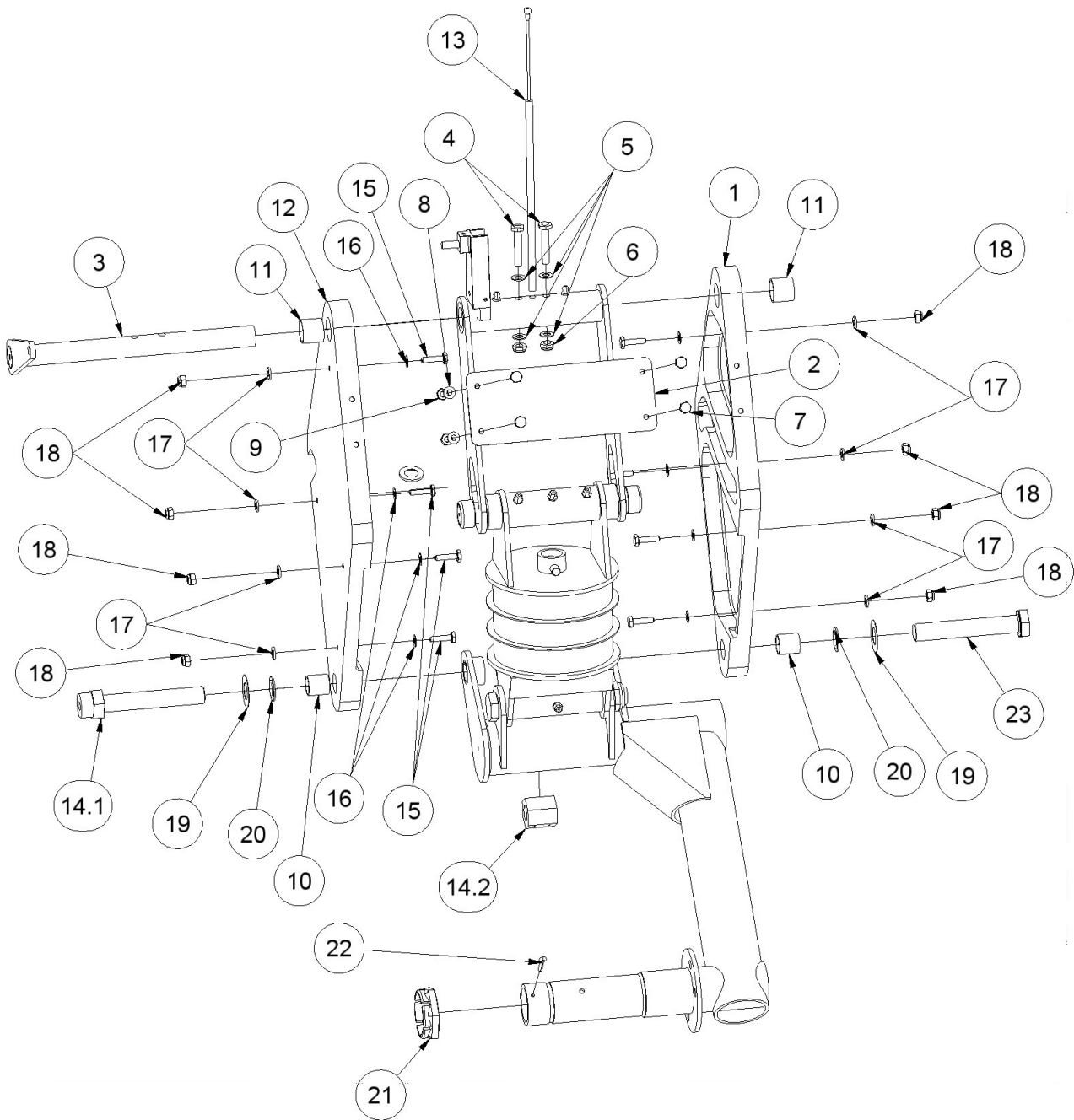


PARTS MANUAL
3450 FLOATS ON CESSNA 185

| ITEM | QTY | PART NO. | PART DESCRIPTION |
|-------|-----|---------------|-----------------------------------|
| 1 | 1 | 1095K41 | COMMON GREASEZERK |
| 2 | 2 | 3A06259-001 | SPACER - NOSE WHEEL - SMALL FLOAT |
| 3 | 1 | 3A06702-002 | BOLT, MODIFIED, AXLE, NOSE GEAR |
| 4 | 1 | 3A06702-003 | MODIFIED WASHER |
| 5 | 1 | 30A06000-025 | NOSE WHEEL ASSEMBLY |
| 5.1 | 1 | D-30380 | PARKER WHEEL ASSEMBLY |
| 5.1.1 | 1 | 068-30373 | GASKET |
| 5.1.2 | 2 | 161-30382 | WHEEL HALF |
| 5.1.3 | 3 | AN4-7A | BOLT |
| 5.1.4 | 3 | MS21044N4 | NUT |
| 5.1.5 | 6 | NAS1149F0432P | WASHER |
| 5.2 | 1 | AD1B2* | TIRE |
| 5.3 | 1 | XA1AB* | TUBE |
| 5.4 | 2 | A4050 | BEARING CORE |
| 5.5 | 2 | A4138 | BEARING CONE |
| 6 | 1 | MS21083N8 | NUT |
| 7 | 1 | NAS1149D0863J | WASHER |

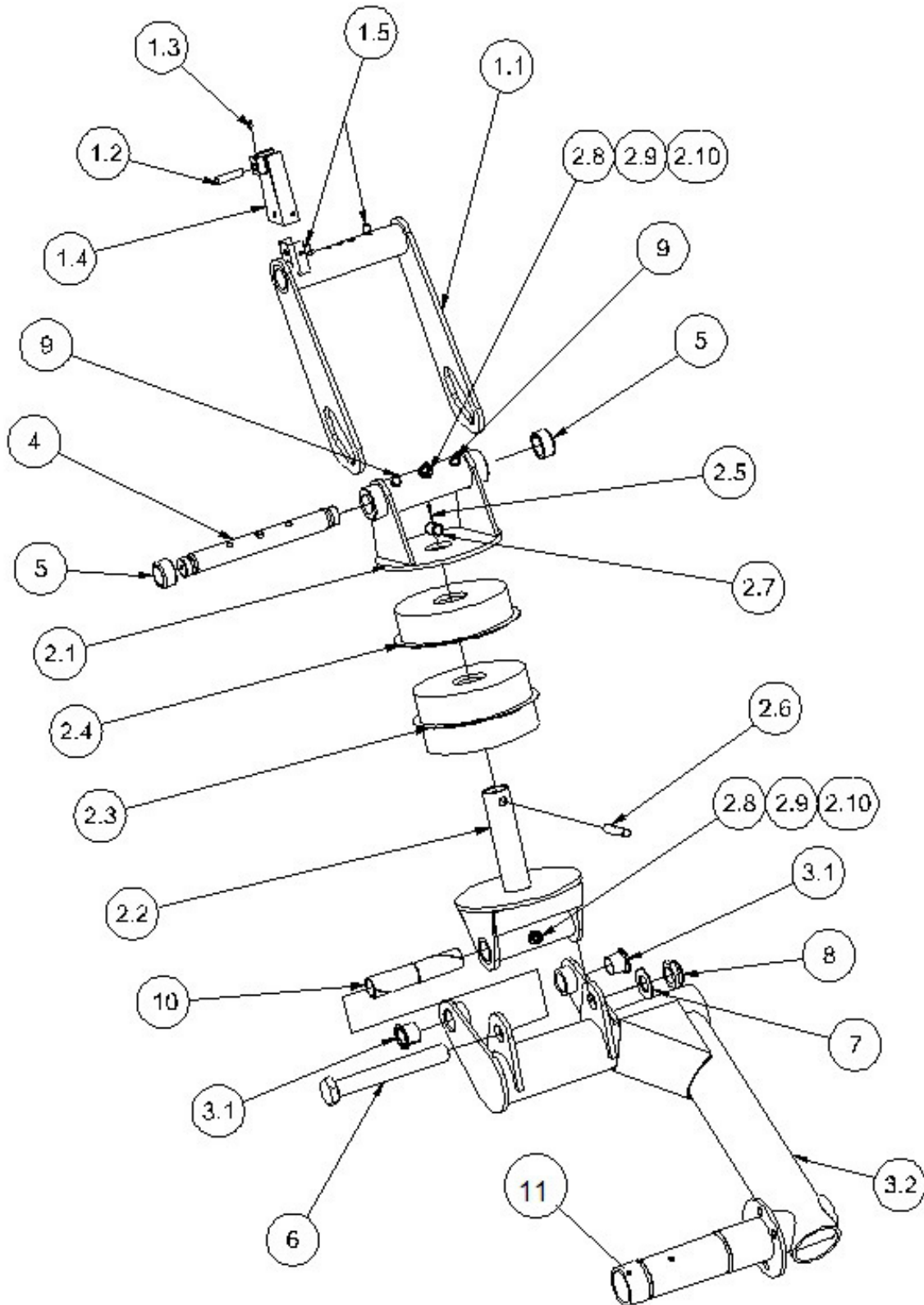
* Any alternate tire (tube type) which is TSO-approved, matches the listed tire's dimensions, and meets its speed/load/ply ratings may be used. Equivalent tubes may also be used.

MAIN GEAR INSTALLATION



| ITEM | QTY | PART NO. | PART DESCRIPTION |
|------|-----|---------------|---|
| 1 | 1 | 30A05114-008 | TRACK - MAIN GEAR - RIGHT |
| 2 | 1 | 30A05003-085 | SPACING PLATE |
| 3 | 1 | 30A05000-039 | ASS'Y. ARM RETRACT (LEFT) |
| | 1 | 30A05000-040 | ASS'Y. ARM RETRACT (RIGHT) |
| 4 | 2 | NAS6204-17 | BOLT |
| 5 | 4 | NAS1149F0432P | WASHER |
| 6 | 2 | MS21083N4 | NUT |
| 7 | 4 | AN3-5A | BOLT |
| 8 | 4 | NAS1149D0316J | WASHER |
| 9 | 4 | MS21044N3 | NUT |
| 10 | 2 | 10DU12 | BUSHING |
| 11 | 2 | 12DU12 | BUSHING |
| 12 | 1 | 30A05114-007 | TRACK - MAIN GEAR - LEFT |
| 13 | 1 | 30A05000-027 | ASS'Y - ARM - GEAR INDICATOR |
| 14 | 1 | 30A05000-038 | MAIN GEAR BOLT ASS'Y - LOWER |
| 14.1 | 1 | 30A05558-001 | MODIFIED BOLT - DRAG LINK ATTACH (OLD STYLE NON REBUILDABLE HYDRAULIC ACTUATORS) |
| | 1 | 1005973 | MODIFIED BOLT, DRAG LINK ATTACH (NEW STYLE HYDRAULIC ACTUATOR - MUST BE USED PER SERVICE LETTER 97) |
| 14.2 | 1 | 30A04574-001 | COUPLING - MAIN GEAR |
| 15 | 8 | AN3-6A | BOLT |
| 16 | 8 | NAS1149D0316J | WASHER |
| 17 | 8 | NAS1149D0363J | WASHER |
| 18 | 8 | MS21044N3 | NUT |
| 19 | 2 | NAS1149D1016J | WASHER |
| 20 | 2 | 93783A033 | SEALING WASHER |
| 21 | 1 | MS21025-24 | NUT, AXLE |
| 22 | 1 | MS24665-351 | COTTER PIN |
| 23 | 1 | 30A05702-020 | BOLT |

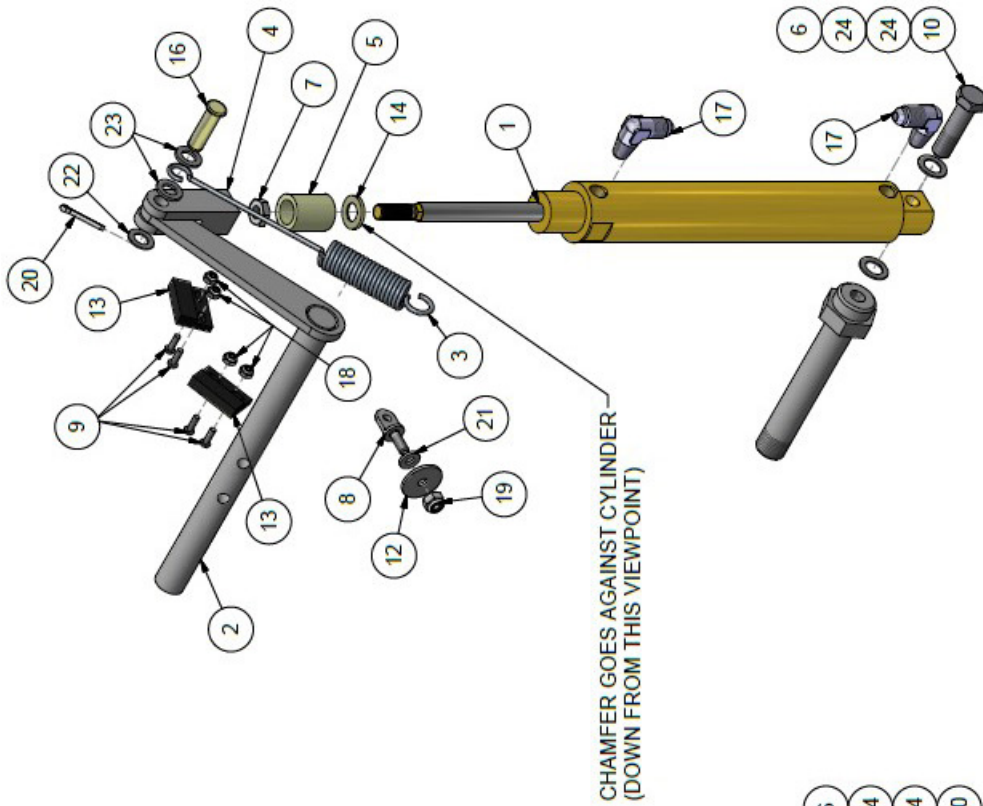
MAIN GEAR RETRACTION



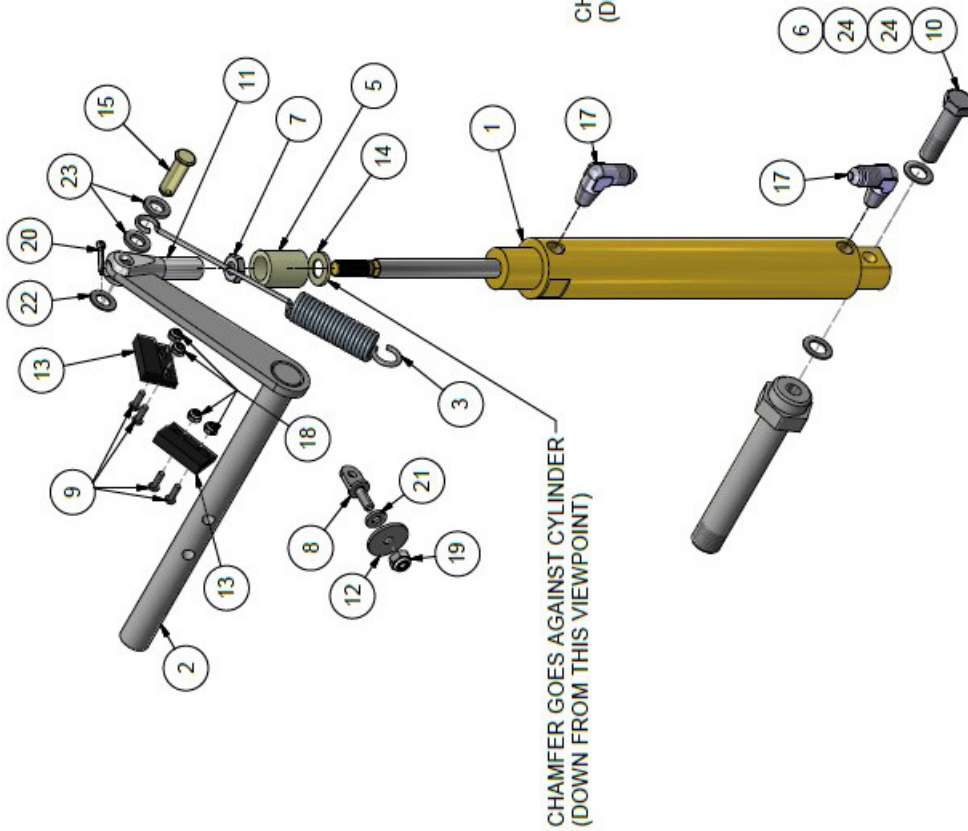
PARTS MANUAL
3450 FLOATS ON CESSNA 185

| ITEM | QTY | PART NO. | PART DESCRIPTION |
|------|-----|---------------|------------------------------------|
| 1 | 1 | 30A05000-042 | ASS'Y. ARM RETRACT - DRAG LINK |
| 1.1 | 1 | 30A05000-041 | ASS'Y. ARM RETRACT - DRAG LINK |
| 1.2 | 1 | 3A05701-001 | CYLINDRICAL MAGNET |
| 1.3 | 1 | 1032 NFX 3/16 | SET SCREW, 10-32 X 3/16 S.S. CP |
| 1.4 | 1 | 30A05214-007 | PROX. SWITCH HOLDER |
| 1.5 | 2 | 1095K41 | COMMON GREASEZERK |
| | 2 | NAS1149F0463P | WASHER |
| 2 | 1 | 34A04000-101 | ASS'Y - SHOCK STRUT - 3450 |
| 2.1 | 1 | 30A04000-093 | ASSEMBLY - END SHOCK STRUT - UPPER |
| 2.2 | 1 | 30A04000-120 | ASSEMBLY - END SHOCK STRUT - LOWER |
| 2.3 | 1 | 1002090 | DUAL BUSHING ASSEMBLY |
| 2.4 | 1 | 1001103 | BUSHING ASSEMBLY |
| 2.5 | 1 | MS24665-151 | COTTER PIN |
| 2.6 | 1 | 30A04476-004 | PIN - RETAINING, SHOCK STRUT |
| 2.7 | 1 | 30A04459-002 | SLEEVE - SHOCK STRUT RETAINER |
| 2.8 | 2 | 1095K41 | COMMON GREASEZERK |
| 2.9 | 2 | NAS1149D0416J | WASHER |
| 2.10 | 2 | NAS1149D0463J | WASHER |
| 3 | 1 | 30A04000-091 | ASS'Y, DRAG LINK - MAIN GEAR, LH |
| | 1 | 30A04000-090 | ASS'Y, DRAG LINK - MAIN GEAR, RH |
| 3.1 | 2 | 10FDU10 | BUSHING |
| 3.2 | 1 | 30A04000-091B | DRAG LINK, MAIN GEAR, LH |
| | 1 | 30A04000-090B | DRAG LINK, MAIN GEAR, RH |
| 4 | 1 | 30A04454-007 | SHAFT - AXLE - SHOCK STRUT |
| 5 | 2 | 21A05520-003 | ROLLER, SHOCK STRUT - RETRACT |
| 6 | 1 | 30A05702-016 | BOLT - DRAG LINK |
| 7 | 1 | NAS1149F1063P | WASHER |
| 8 | 1 | MS21083N10 | NUT |
| 9 | 2 | 1095K41 | COMMON GREASEZERK |
| 10 | 1 | 30A04475-006 | BUSHING |
| 11 | 1 | 6A04263-003 | INSERT GREASE WHEEL |
| | 2 | MS28775-214 | "O" RING |
| | 1 | 1095K41 | COMMON GREASEZERK |

MAIN GEAR HYDRAULIC INSTALLATION



NEW STYLE CLEVIS
(SEE SERVICE LETTER 139)



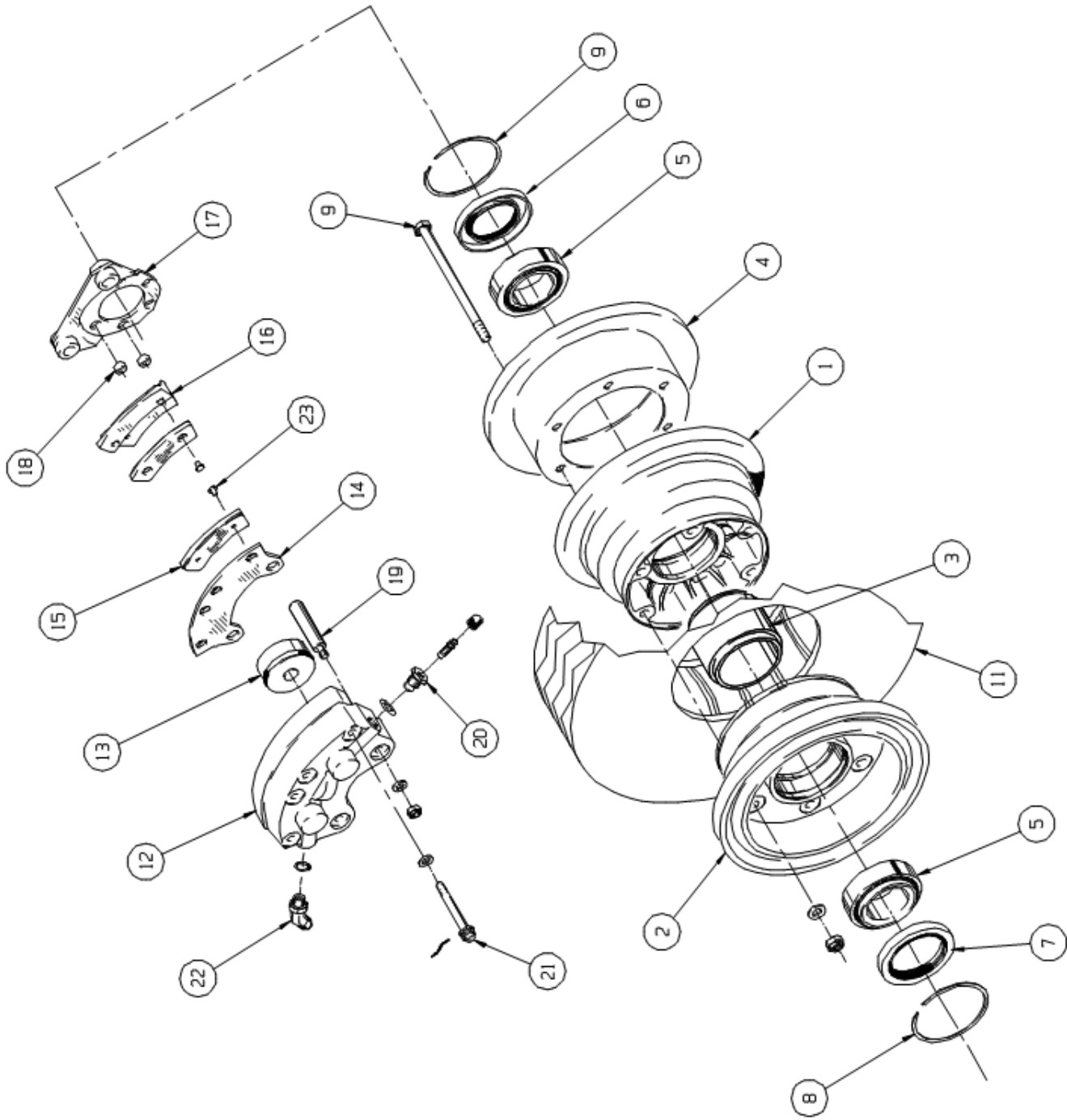
OLD STYLE CLEVIS

PARTS MANUAL
3450 FLOATS ON CESSNA 185

| ITEM | QTY | PART NO. | PART DESCRIPTION |
|------|-----|-----------------|---|
| 1 | 1 | 1002573* | CYLINDER-MAIN GEAR, 3000-3450 |
| 2 | 1 | 30A05000-039 | ASS'Y. ARM RETRACT (LEFT) |
| | 1 | 30A05000-040 | ASS'Y. ARM RETRACT (RIGHT) |
| 3 | 1 | 21A05525-008 | SPRING - GEAR |
| 4 | 1 | 30A05252-001 | SPACER - HYDRAULIC CYLINDER |
| 5 | 1 | 30A05460-001 | CLEVIS - RETRACT ARM, MAIN GEAR, (3000/3450) |
| 6 | 1 | 30A05558-001 | MODIFIED BOLT - DRAG LINK ATTACH (OLD STYLE NON REBUILDABLE HYDRAULIC ACTUATORS) |
| | 1 | 1005973 | MODIFIED BOLT, DRAG LINK ATTACH (NEW STYLE HYDRAULIC ACTUATOR - MUST BE USED PER SERVICE LETTER 97) |
| 7 | 1 | AN316-5R | NUT |
| 8 | 1 | AN42-4A | EYE BOLT |
| 9 | 4 | AN515-4R6 | SCREW, MACHINE |
| 10 | 1 | AN6-13A | BOLT |
| 11 | 1 | AN665-46RS | TERMINAL, FLY WIRE |
| 12 | 1 | AN970-3 | WASHER |
| 13 | 2 | HAMLIN 59135-20 | HAMLIN MAGNETIC SWITCH |
| 14 | 1 | MS20002C6 | WASHER - COUNTER SUNK |
| 15 | 1 | MS20392-4C25 | CLEVIS PIN |
| 16 | 1 | MS20392-4C29 | CLEVIS PIN |
| 17 | 2 | MS20822-4-4D | ELBOW |
| 18 | 4 | MS21044N04 | NUT |
| 19 | 1 | MS21044N3 | NUT |
| 20 | 2 | MS24665-283 | COTTER PIN |
| 21 | 1 | NAS1149D0363J | WASHER |
| 22 | 1 | NAS1149F0532P | WASHER |
| 23 | 2 | NAS1149F0563P | WASHER |
| 24 | 2 | NAS1149F0632P | WASHER |

* If this style actuator is replacing the old style non rebuildable cylinder, reference Service Letter 97 for replacement and the correct drag link attach modified bolt.

MAIN GEAR WHEEL ASSEMBLY



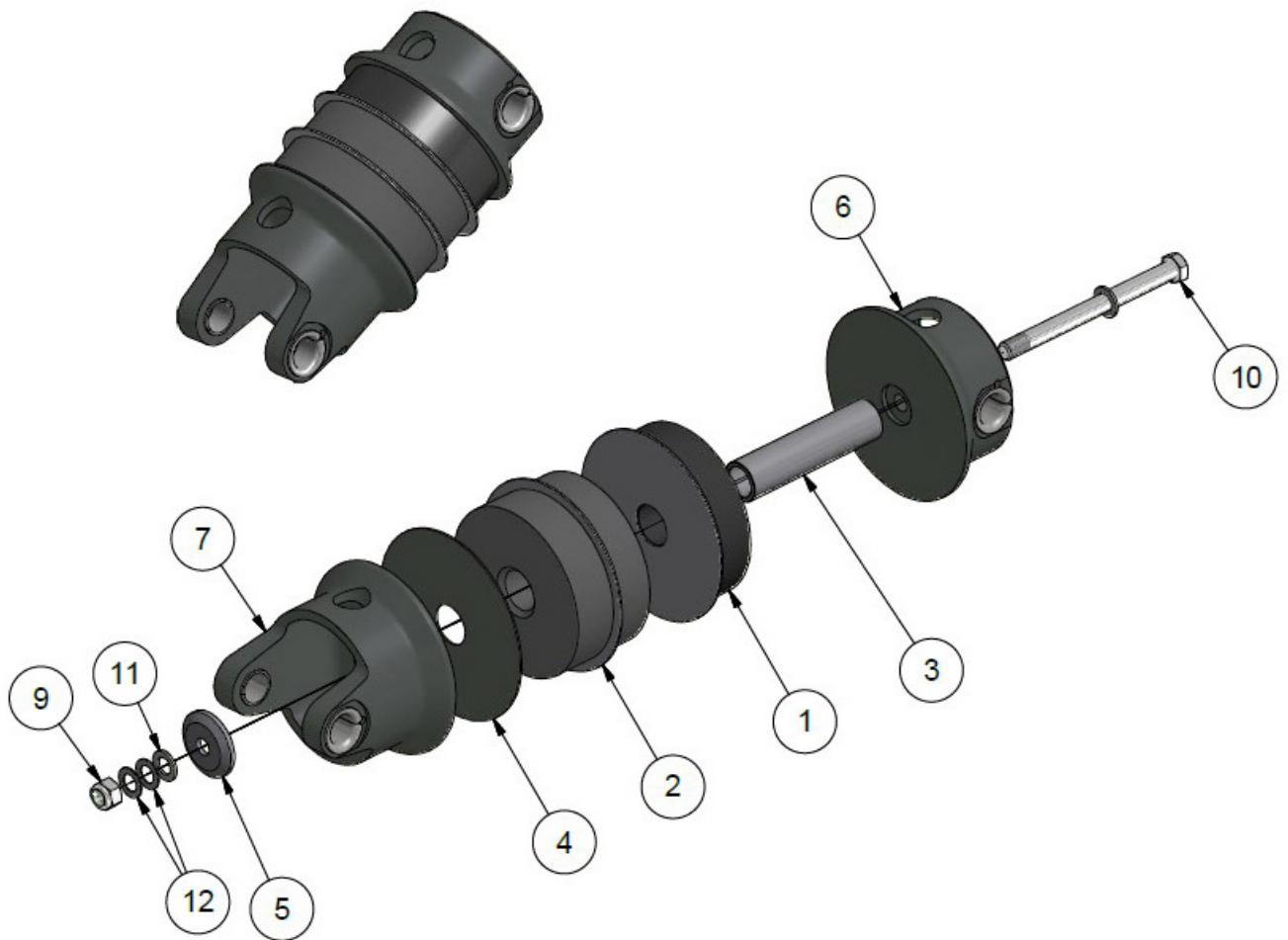
PARTS MANUAL
3450 FLOATS ON CESSNA 185

| ITEM | QTY | PART NO. | PART DESCRIPTION |
|------|-----|---------------|---|
| 1 | 1 | 8A04000-031 | WHEEL ASS'Y. (W/ TIRE & TUBE) |
| 2 | 1 | 40-418-3 | WHEEL ASS'Y. (BOTH HALVES) (NAMEPLATE READS "40-418B", INCLUDES ITEMS 3-10) |
| | 1 | 40-418 (ALT) | WHEEL ASS'Y. (ALTERNATE, INCLUDES ITEMS 3-10) |
| 3 | 1 | 067-14700 | SPACER – GREASE DAM |
| 4 | 1 | 164-24501 | DISC – BRAKE, CHROME (ORIG EQUIP FOR 40-418-3) |
| | 1 | 164-24500 | DISC – BRAKE, NON-CHROME (ORIG EQUIP FOR 40-418) |
| 5 | 2 | 13836 | CUP – BEARING, NON-CHROME (ORIG EQUIP FOR 40-418-3) |
| | 2 | 13836CP | CUP – BEARING, CHROME (ORIG EQUIP FOR 40-418) |
| | 2 | 13889 | CONE – BEARING, NON-CHROME (ORIG EQUIP FOR 40-418-3) |
| | 2 | 13889CP | CONE – BEARING, CHROME (ORIG EQUIP FOR 40-418) |
| 6 | 1 | 473232 | SEAL, INBOARD |
| 7 | 1 | 472439 | SEAL, OUTBOARD (#50 HOLE REQUIRED BEFORE INST.) |
| 8 | 2 | 155-14300 | RING - SNAP |
| 9 | 6 | AN5-35A | BOLT |
| | 6 | NAS1149F0563P | WASHER |
| | 6 | MS21042-5 | NUT |
| 10 | 1 | 166-20000 | NAMEPLATE – “WARNING” (NOT SHOWN) |
| | 1 | 166-19700 | NAMEPLATE (NOT SHOWN) |
| 11 | 1 | AA1E6* | TIRE |
| | 1 | XA1AD* | TUBE |
| 12 | 1 | 30A04000-103 | ASSEMBLY, BRAKE CALIPER, LH, 3000/3450 |
| | 1 | 30A04000-102 | ASSEMBLY, BRAKE CALIPER, RH, 3000/3450 |
| | 1 | 6A04561-001 | FILM, BRAKE CALIPER SURFACE PROTECTOR |
| 13 | 2 | 062-10700 | PISTON |
| | 1 | MS28775-222 | O-RING |
| 14 | 1 | 063-01100 | PLATE - PRESSURE |
| 15 | 2 | 066-10500 | LINING - BRAKE |
| 16 | 1 | 064-01500 | PLATE – BACK |
| 17 | 1 | 075-20700 | PLATE - TORQUE |
| | 4 | AN5-6A | BOLT (NOT SHOWN) |
| | 8 | NAS1149F0532P | WASHER (NOT SHOWN) |
| | 4 | MS21044N5 | NUT (NOT SHOWN) |
| 18 | 1 | 30A04523-002 | BUSHING |
| 19 | 2 | 069-03100 | BOLT - ANCHOR |
| | 2 | NAS1149F0463P | WASHER |
| | 2 | MS21044N4 | NUT |
| 20 | 1 | 081-00200 | SEAT - BLEEDER |
| | 1 | MS28775-012 | O-RING |
| | 1 | 079-00300 | SCREW – BLEEDER |
| | 1 | 183-00100 | CAP – BLEEDER |

| ITEM | QTY | PART NO. | PART DESCRIPTION |
|------|-----|---------------|------------------|
| 21 | 4 | MS21250H04026 | BOLT |
| | 4 | MS20002C4 | WASHER |
| | A/R | MS20995-C32 | LOCKWIRE |
| 22 | 1 | 104-04700 | FITTING |
| | 1 | MS28775-012 | O-RING |
| 23 | 4 | 105-00200 | RIVET |

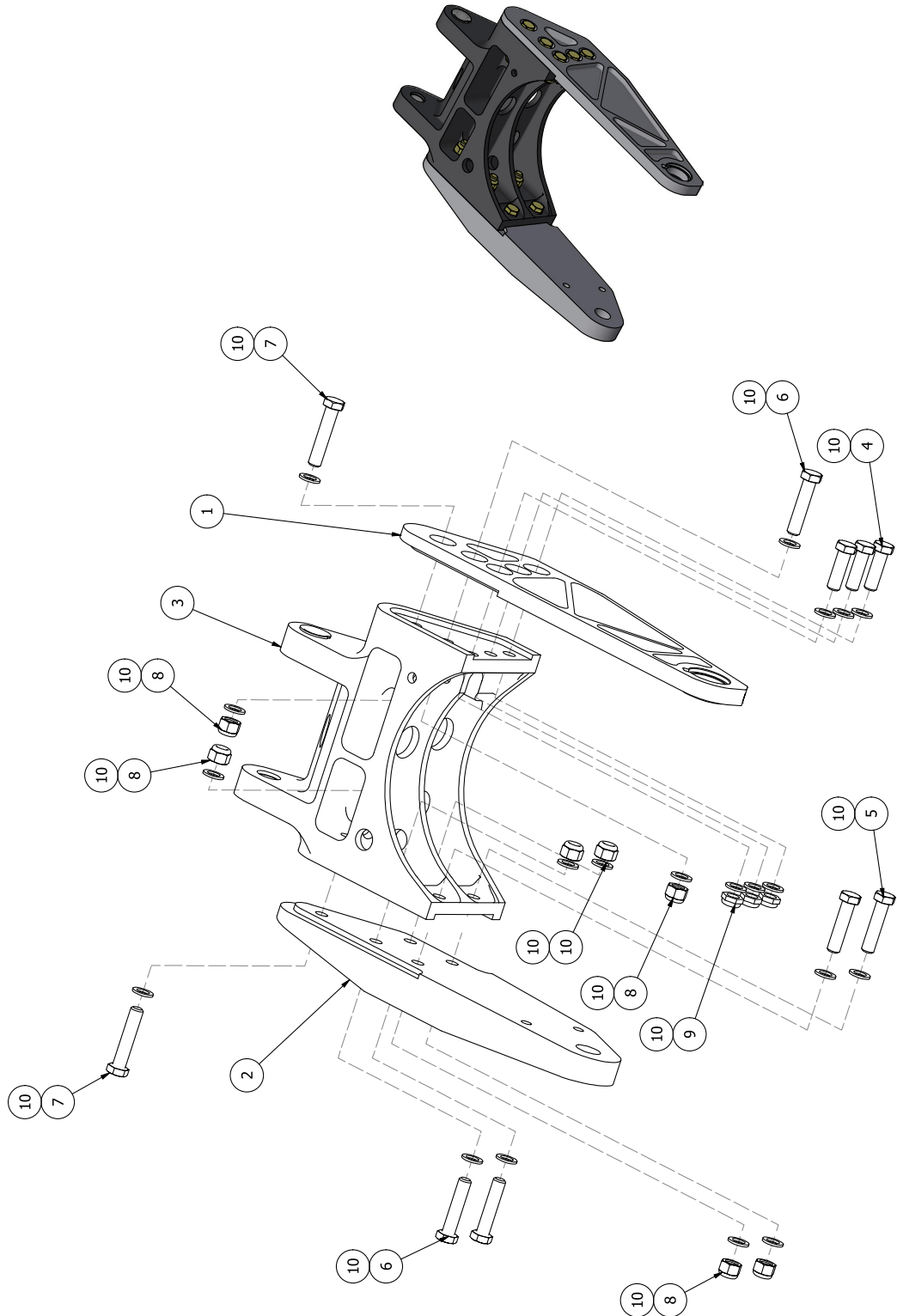
* Any alternate tire (tube type) which is TSO-approved, matches the listed tire's dimensions, and meets its speed/load/ply ratings may be used. Equivalent tubes may also be used.

MAIN GEAR SHOCK ASSEMBLY



| ITEM | QTY | PART NO. | PART DESCRIPTION |
|------|-----|---------------|---|
| - | 2 | 1004286-04 | ASS'Y. SHOCK, HEAVY DUTY, MAIN GEAR (185) |
| 1 | 1 | 1001103 | BUSHING ASS'Y., SHOCK STRUT |
| 2 | 1 | 1002090 | BUSHING ASS'Y., DUAL, SHOCK STRUT |
| 3 | 1 | 1004267 | TUBE, STRUT, MAIN |
| 4 | 1 | 1004268 | SHOCK SPACER, MAIN |
| 5 | 1 | 1004269 | STRUT END CAP, MAIN |
| 6 | 1 | 1005765 | ASS'Y., UPPER SHOCK STRUT, MAIN |
| 7 | 1 | 1005766 | ASS'Y., LOWER SHOCK STRUT, MAIN |
| 9 | 1 | MS21044N7 | NUT |
| 10 | 1 | AN7-51A | BOLT |
| 11 | 2 | NAS1149D0763P | WASHER |
| 12 | 2 | NAS1149D0732P | WASHER |

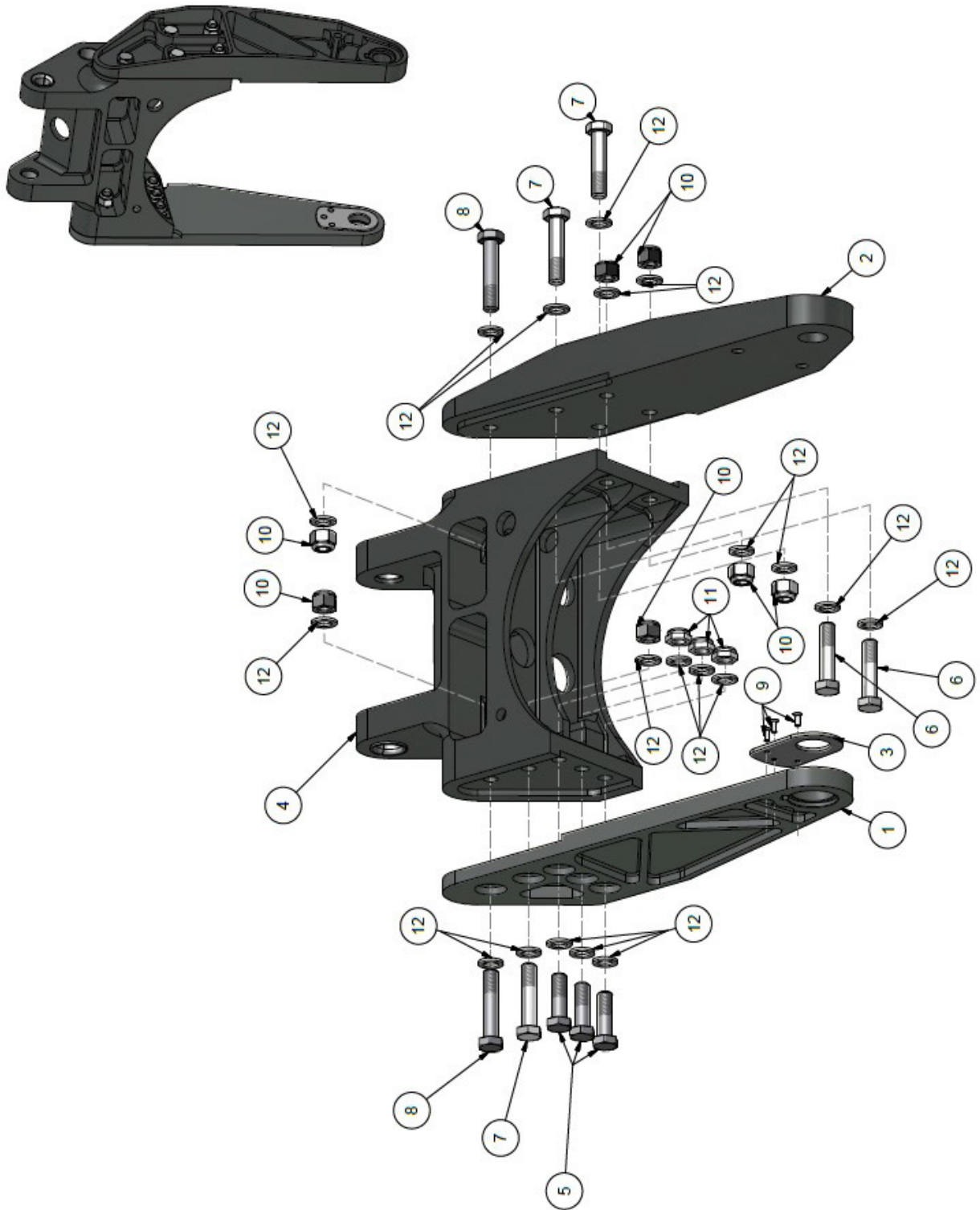
MAIN GEAR WITHOUT WHEEL PIVOT ASSEMBLY FOR FLOAT SERIAL NUMBERS 34315A & 34316A AND LATER



(LH ASSEMBLY DEPICTED, RH MIRRORED)

| ITEM | QTY | PART NO. | PART DESCRIPTION |
|------|-----|---------------|--|
| - | 1 | 1005746 | ASS'Y., PIVOT, RH, MAIN GEAR W/O WHEEL |
| - | 1 | 1005747 | ASS'Y., PIVOT, LH, MAIN GEAR W/O WHEEL |
| 1 | 1 | 1004274 | LINK ARM, OUTBRD, RT FLOAT |
| | 1 | 1005369 | LINK ARM, OUTBRD, LT FLOAT |
| 2 | 1 | 1004275 | LINK ARM, INBRD, LT FLOAT |
| | 1 | 1005370 | LINK ARM, INBRD, LT FLOAT |
| 3 | 1 | 1005744 | ASSY, CENTER LINK, RH, MAIN GEAR |
| | 1 | 1005745 | ASSY, CENTER LINK, LH, MAIN GEAR |
| 4 | 3 | AN6-11A | BOLT |
| 5 | 2 | AN6-14A | BOLT |
| 6 | 3 | AN6-15A | BOLT |
| 7 | 2 | AN6-16A | BOLT |
| 8 | 7 | MS21044N6 | NUT |
| 9 | 3 | MS21083N6 | NUT |
| 10 | 20 | NAS1149D0663J | WASHER |

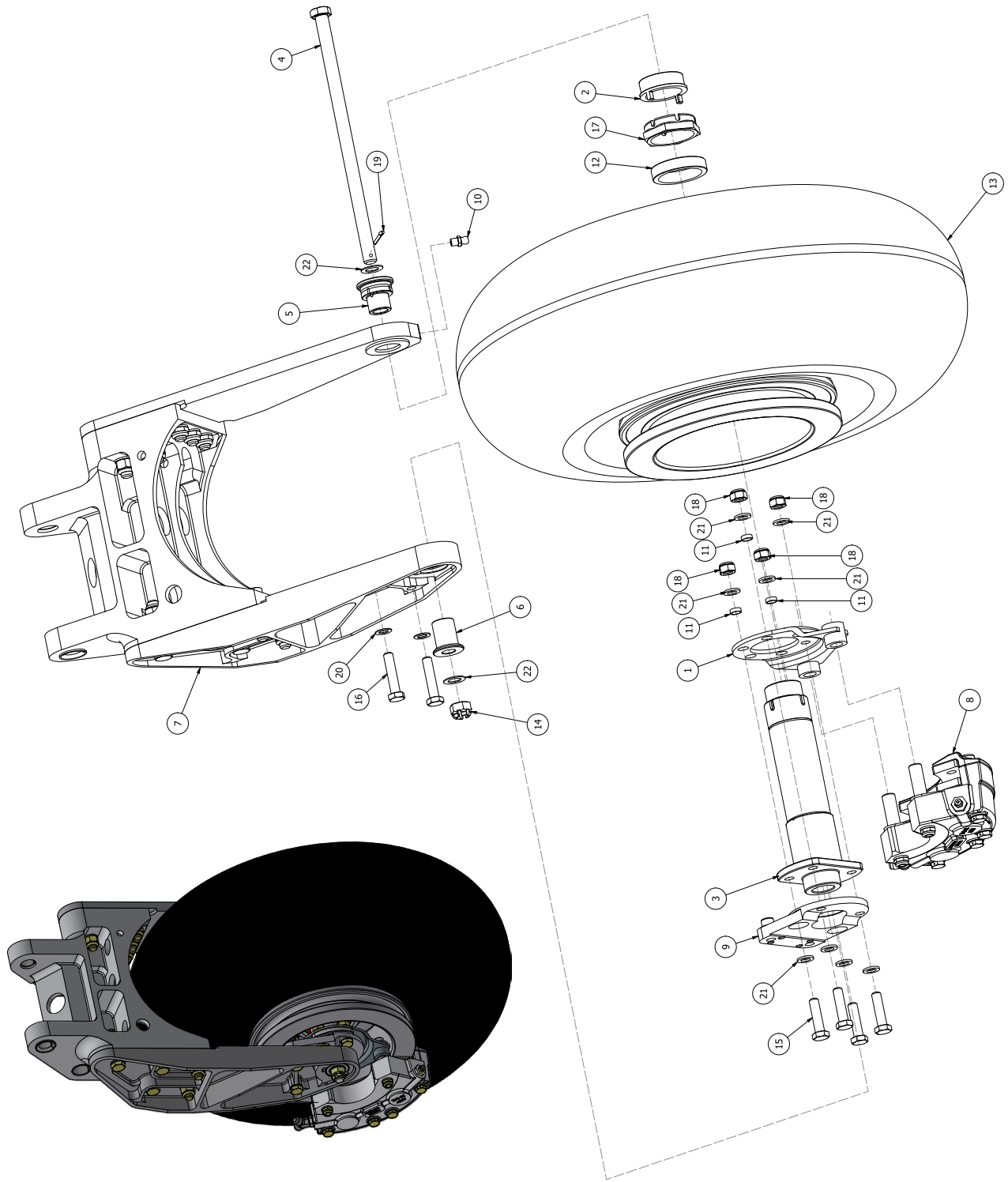
MAIN GEAR WITHOUT WHEEL PIVOT ASSEMBLY FOR FLOAT SERIAL NUMBERS 34313A & 34314A AND PRIOR



(RH ASSEMBLY DEPICTED, LH MIRRORED)

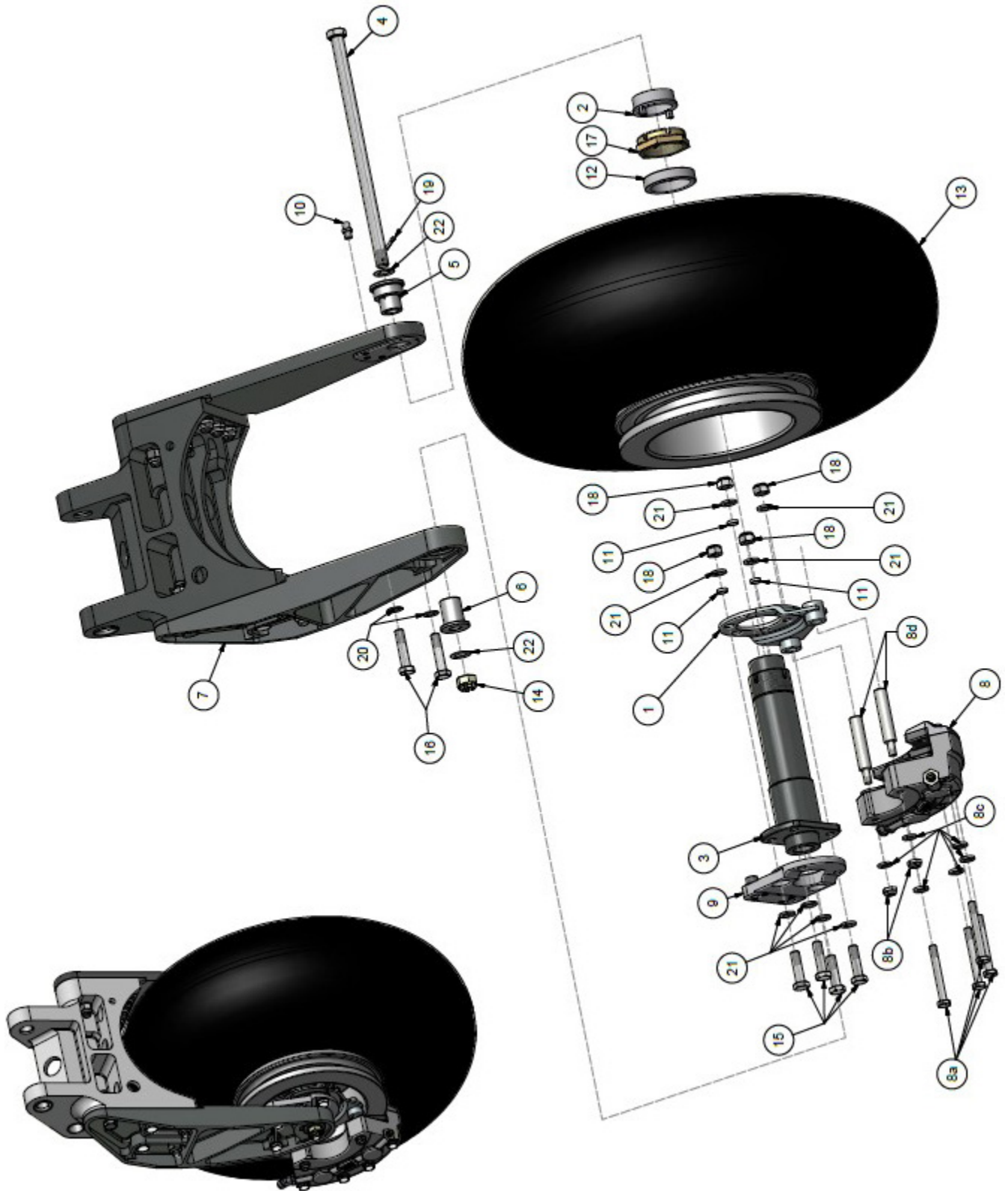
| ITEM | QTY | PART NO. | PART DESCRIPTION |
|------|-----|---------------|--|
| - | 1 | 1005746 | ASS'Y., PIVOT, RH, MAIN GEAR W/O WHEEL |
| - | 1 | 1005747 | ASS'Y., PIVOT, LH, MAIN GEAR W/O WHEEL |
| 1 | 1 | 1004274 | LINK ARM, OUTBRD, RT FLOAT |
| | 1 | 1005369 | LINK ARM, OUTBRD, LT FLOAT |
| 2 | 1 | 1004275 | LINK ARM, INBRD, RT FLOAT |
| | 1 | 1005370 | LINK ARM, INBRD, LT FLOAT |
| 3 | 1 | 1005387 | GREASE COVER, MAIN GEAR, 3000 3450 |
| 4 | 1 | 1005744 | ASSY, CENTER LINK, RH, MAIN GEAR |
| | 1 | 1005745 | ASSY, CENTER LINK, LH, MAIN GEAR |
| 5 | 3 | AN6-11A | BOLT |
| 6 | 2 | AN6-14A | BOLT |
| 7 | 3 | AN6-15A | BOLT |
| 8 | 2 | AN6-16A | BOLT |
| 9 | 3 | MS20426-4 | RIVET-FLAT HEAD |
| 10 | 7 | MS21044N6 | NUT |
| 11 | 3 | MS21083N6 | NUT |
| 12 | 20 | NAS1149D0663J | WASHER |

MAIN GEAR WITH WHEEL PIVOT ASSEMBLY FOR FLOAT SERIAL NUMBERS 34315A & 34316A AND LATER



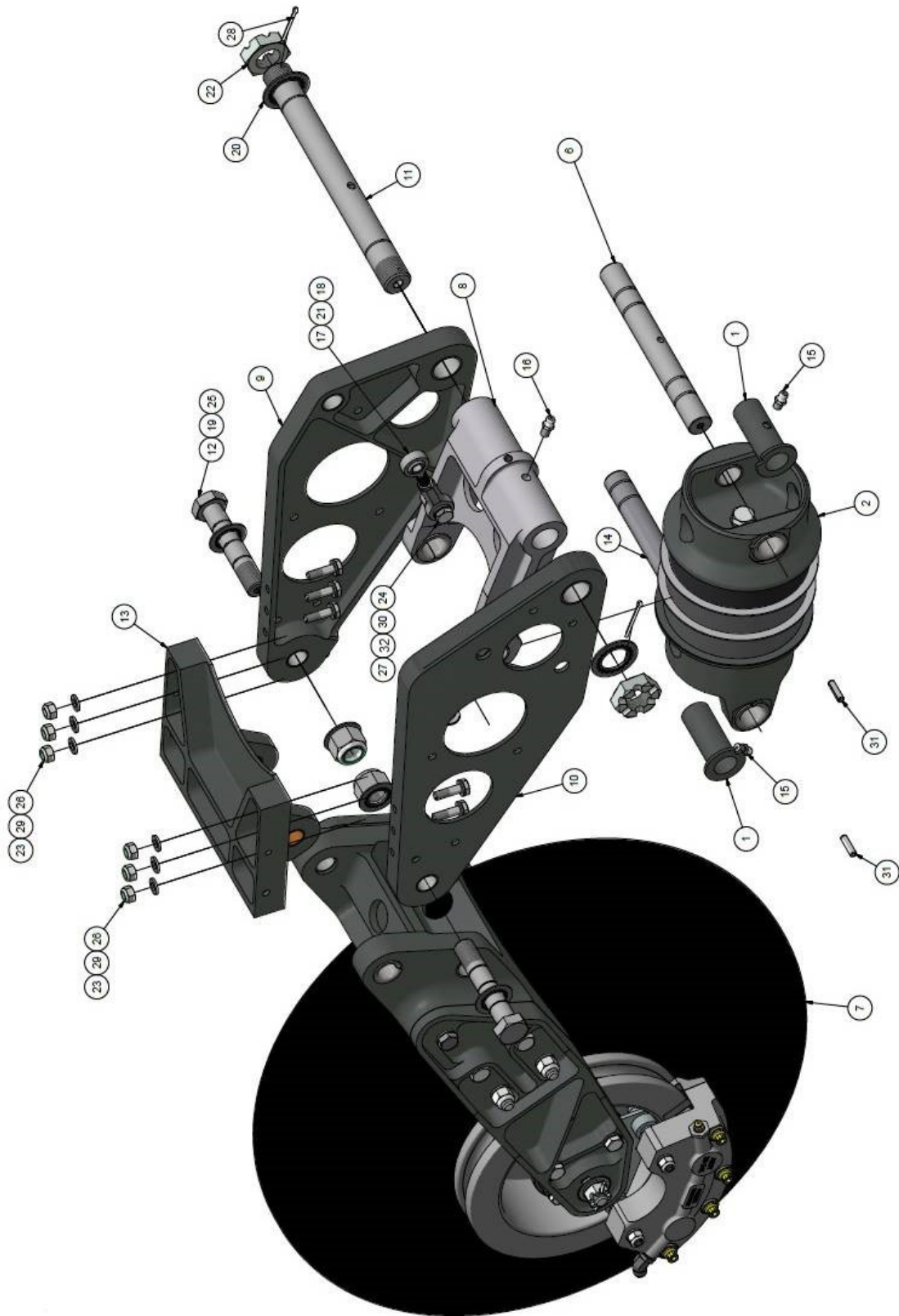
| ITEM | QTY | PART NO. | PART DESCRIPTION |
|------|-----|---------------|---|
| - | 1 | 1004288 | ASS'Y., PIVOT, RH, MAIN GEAR |
| - | 1 | 1005377 | ASS'Y., PIVOT, LH, MAIN GEAR |
| 1 | 1 | 075-20700 | TORQUE PLATE |
| 2 | 1 | 1004281 | LOCKING HUB, MAIN |
| 3 | 1 | 1004283 | AXLE, MAIN GEAR |
| 4 | 1 | 1005374 | BOLT - 7/16-20 UNF-3A, 8.20 GRIP |
| 5 | 1 | 1005378 | HUB, AXLE |
| 6 | 1 | 1005389 | HUB, AXLE |
| 7 | 1 | 1005746 | ASS'Y., PIVOT, RH, MAIN GEAR W/O WHEEL |
| | 1 | 1005747 | ASS'Y., PIVOT, LH, MAIN GEAR W/O WHEEL |
| 8 | 1 | 1005844 | BRAKE ASSEMBLY COMPLETE, RH |
| | 1 | 1005775 | BRAKE ASSEMBLY COMPLETE, LH |
| | 4 | AN4H21A | BOLT |
| | 2 | MS21083N4 | NUT |
| | 6 | NAS1149F0463P | WASHER |
| | 2 | 069-03100 | BOLT - ANCHOR |
| 9 | 1 | 1005855 | ASSY, BRACKET, ANTI ROTATION, MAIN, 3000 3450 |
| 10 | 1 | 1095K41 | COMMON GREASEZERK |
| 11 | 3 | 30A04523-002 | BUSHING, TORQUE PLATE |
| 12 | 1 | 6A04093-002 | AXLE SPACER, MAIN WHEEL |
| 13 | 1 | 8A04000-031 | MAIN WHEEL ASSEMBLY |
| 14 | 1 | AN310-7 | NUT, HEX, CASTLE, 7/16-20 UNF |
| 15 | 4 | AN5-11A | BOLT |
| 16 | 2 | AN5-13A | BOLT |
| 17 | 1 | MS21025-24 | NUT, AXLE |
| 18 | 6 | MS21044N5 | NUT |
| 19 | 1 | MS24665-302 | COTTER PIN |
| 20 | 2 | NAS1149F0532P | WASHER |
| 21 | 12 | NAS1149F0563P | WASHER |
| 22 | 2 | NAS1149F0732P | WASHER |

MAIN GEAR WITH WHEEL PIVOT ASSEMBLY FOR FLOAT SERIAL NUMBERS 34313A & 34314A AND PRIOR



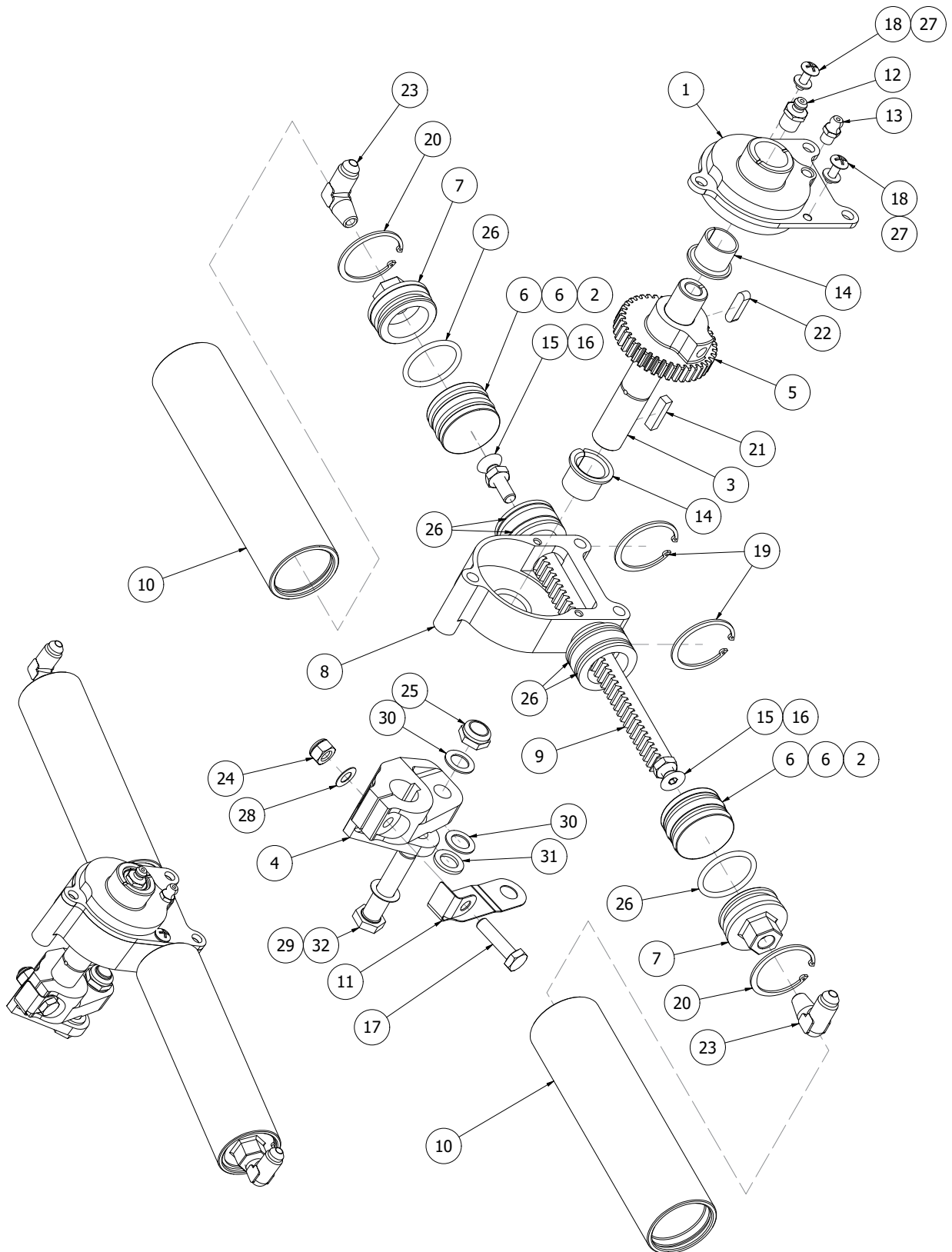
| ITEM | QTY | PART NO. | PART DESCRIPTION |
|------|-----|---------------|---|
| - | 1 | 1004288 | ASS'Y., PIVOT, RH, MAIN GEAR |
| - | 1 | 1005377 | ASS'Y., PIVOT, LH, MAIN GEAR |
| 1 | 1 | 075-20700 | TORQUE PLATE |
| 2 | 1 | 1004281 | LOCKING HUB, MAIN |
| 3 | 1 | 1004283 | AXLE, MAIN GEAR |
| 4 | 1 | 1005374 | BOLT - 7/16-20 UNF-3A, 8.20 GRIP |
| 5 | 1 | 1005378 | HUB, AXLE |
| 6 | 1 | 1005389 | HUB, AXLE |
| 7 | 1 | 1005746 | ASS'Y., PIVOT, RH, MAIN GEAR W/O WHEEL |
| | 1 | 1005747 | ASS'Y., PIVOT, LH, MAIN GEAR W/O WHEEL |
| 8 | 1 | 1005844 | BRAKE ASSEMBLY COMPLETE, RH |
| | 1 | 1005775 | BRAKE ASSEMBLY COMPLETE, LH |
| 8a | 4 | AN4H21A | BOLT |
| 8b | 2 | MS21083N4 | NUT |
| 8c | 6 | NAS1149F0463P | WASHER |
| 8d | 2 | 069-03100 | BOLT - ANCHOR |
| 9 | 1 | 1005855 | ASSY, BRACKET, ANTI ROTATION, MAIN, 3000 3450 |
| 10 | 1 | 1095K41 | COMMON GREASEZERK |
| 11 | 3 | 30A04523-002 | BUSHING, TORQUE PLATE |
| 12 | 1 | 6A04093-002 | AXLE SPACER, MAIN WHEEL |
| 13 | 1 | 8A04000-031 | MAIN WHEEL ASSEMBLY |
| 14 | 1 | AN310-7 | NUT, HEX, CASTLE, 7/16-20 UNF |
| 15 | 4 | AN5-11A | BOLT |
| 16 | 2 | AN5-13A | BOLT |
| 17 | 1 | MS21025-24 | NUT, AXLE |
| 18 | 6 | MS21044N5 | NUT |
| 19 | 1 | MS24665-302 | COTTER PIN |
| 20 | 2 | NAS1149F0532P | WASHER |
| 21 | 12 | NAS1149F0563P | WASHER |
| 22 | 2 | NAS1149F0732P | WASHER |

MAIN GEAR ASSEMBLY



| ITEM | QTY | PART NO. | PART DESCRIPTION |
|------|-----|---------------|---|
| - | 1 | 1004291-04 | ASS'Y, MAIN GEAR, RIGHT, HEAVY DUTY, 3450 |
| - | 1 | 1004251-04 | ASS'Y, MAIN GEAR, LEFT, 3450 |
| 1 | 2 | 1004263 | RETAINER, MAIN |
| 2 | 1 | 1004286-04 | ASS'Y., SHOCK, LIGHT DUTY, MAIN GEAR |
| 6 | 1 | 1004287 | ASS'Y., PIVOT PIN, SHOCK, UPPER, MAIN |
| 7 | 1 | 1004288 | ASSY, PIVOT, RH, MAIN GEAR |
| | 1 | 1005377 | ASS'Y., PIVOT, LH, MAIN GEAR |
| 8 | 1 | 1004289 | ASS'Y., UPPER SHOCK LINK |
| 9 | 1 | 1004882 | ASS'Y., SIDE SUPPORT, LH, MAIN |
| 10 | 1 | 1005375 | ASS'Y., SIDE SUPPORT, RH, MAIN |
| 11 | 1 | 1005733 | ASSEMBLY, SHAFT, UPPER SHOCK, MAIN GEAR |
| 12 | 2 | 1005734 | ASSEMBLY, BOLT, MODIFIED, LOWER PIVOT |
| 13 | 1 | 1005735 | ASSEMBLY, SUPPORT, PIVOT, LOWER, MAIN GEAR |
| 14 | 1 | 1005750 | ASS'Y., PIVOT PIN, SHOCK, LOWER, MAIN |
| 15 | 4 | 1095K41 | COMMON GREASEZERK |
| 16 | 1 | 1095K42 | COMMON GREASEZERK |
| 17 | 1 | 59915K274 | BALL JOINT ROD END, MALE |
| 18 | 1 | 59915K484 | BALL JOINT END, FEMALE |
| 19 | 4 | 93781A035 | SEALING WASHER |
| 20 | 2 | 93783A046 | SEALING WASHER |
| 21 | 1 | AN316-4R | NUT |
| 22 | 2 | AN320-14 | NUT, HEX, SLOTTED, 7/8-14 UNF |
| 23 | 6 | AN4-7A | BOLT, 1/4-28, 0.4375 GRIP, UNDRILLED, STEEL |
| 24 | 1 | AN6-16A | BOLT, 3/8-24, 1.1875 GRIP, UNDRILLED, STEEL |
| 25 | 2 | MS21044N10 | NUT, LOCKING, REGULAR HEIGHT, 5/8-18 UNF |
| 26 | 6 | MS21044N4 | NUT, LOCKING, REGULAR HEIGHT, 1/4-28 UNF |
| 27 | 1 | MS21083N6 | NUT, LOCKING, LOW HEIGHT, 3/8-24 UNF |
| 28 | 2 | MS24665-304 | COTTER PIN |
| 20 | 12 | NAS1149F0463P | WASHER, 0.265 ID, 0.063 THK, STEEL |
| 30 | 2 | NAS1149F0532P | WASHER, 0.328 ID, 0.032 THK, STEEL |
| 31 | 2 | NAS561P6-12 | COTTER PIN |
| 32 | 1 | NAS1149F0663P | WASHER, 0.39 ID, 0.063 THK, STEEL |

MAIN GEAR ROTARY ACTUATOR ASSEMBLY



| ITEM | QTY | PART NO. | PART DESCRIPTION |
|------|-----|---------------|---|
| - | 1 | 1012500 | ASSEMBLY, ROTARY ACTUATOR, MAIN GEAR |
| 1 | 1 | 1005274 | HOUSING TOP, ROTARY ACTUATOR, MAIN GEAR |
| 2 | 2 | 1005276 | PISTON, ROTARY ACTUATOR, MAIN GEAR |
| 3 | 1 | 1005277 | SHAFT, ROTARY ACTUATOR, MAIN GEAR |
| 4 | 1 | 1005280 | ARM, GEAR ACTUATOR, 3000 3450 |
| 5 | 1 | 1005282 | SPUR GEAR, PDIA 2.00 BORE .625 MODIFIED |
| 6 | 4 | 1005285 | SEAL, U-CUP, .156 C/S, .937 ID, 1.250 OD |
| 7 | 2 | 1012501 | CYLINDER CAP, ROTARY ACTUATOR, MAIN GEAR |
| 8 | 1 | 1012502 | HOUSING, ROTARY ACTUATOR, MAIN GEAR |
| 9 | 1 | 1012503 | RACK, MOD, ROTARY ACTUATOR, MAIN GEAR |
| 10 | 2 | 1012504 | CYLINDER, ROTARY ACTUATOR, MAIN GEAR |
| 11 | 1 | 1012868 | RETAINER, ACTUATOR, MAIN GEAR, 3000/3450 |
| 12 | 1 | 1095K11 | GREASE ZERK |
| 13 | 1 | 1095K41 | GREASE ZERK |
| 14 | 2 | 10FDU10 | FLANGED BUSHING |
| 15 | 2 | 91253A309 | SCREW, HEX DRIVE FLAT HEAD, 1/4-28 THREAD |
| 16 | 2 | 92052A120 | NUT, THIN, GRADE 8, 1/4-28 THREAD |
| 17 | 1 | AN4-10A | BOLT, 1/4-28, 0.5625 GRIP, UNDRILLED, STEEL |
| 18 | 2 | AN526C832R8 | SCREW, MACHINE, TRUSS HEAD |
| 19 | 2 | MS16625-4125 | RETAINING RING, INTERNAL |
| 20 | 2 | MS16625-4131 | RETAINING RING, INTERNAL |
| 21 | 1 | MS20066-183 | KEY, MACHINE-SQUARE, BOTH ENDS SQUARE |
| 22 | 1 | MS20068-119 | KEY, MACHINE-SQUARE, BOTH ENDS ROUND |
| 23 | 2 | MS20822-4D | ELBOW |
| 24 | 1 | MS21044N4 | NUT, LOCKING, REGULAR HEIGHT, 1/4-28 UNF |
| 25 | 1 | MS21083N6 | NUT, LOCKING, LOW HEIGHT, 3/8-24 UNF |
| 26 | 6 | MS28775-121 | "O" RING |
| 27 | 2 | NAS1149CN832R | WASHER, 0.174 ID, 0.032 THK, STAINLESS STEEL |
| 28 | 1 | NAS1149D0416J | WASHER, 0.265 ID, 0.016 THK, ALUMINUM |
| 29 | 1 | NAS1149F0616P | WASHER, 0.39 ID, 0.016 THK, STEEL |
| 30 | 2 | NAS1149F0632P | WASHER, 0.39 ID, 0.032 THK, STEEL |
| 31 | 1 | NAS1149F0663P | WASHER, 0.39 ID, 0.063 THK, STEEL |
| 32 | 1 | NAS6206-21 | BOLT, 3/8-24 THREAD, 1.766" LENGTH, 1.312" GRIP |

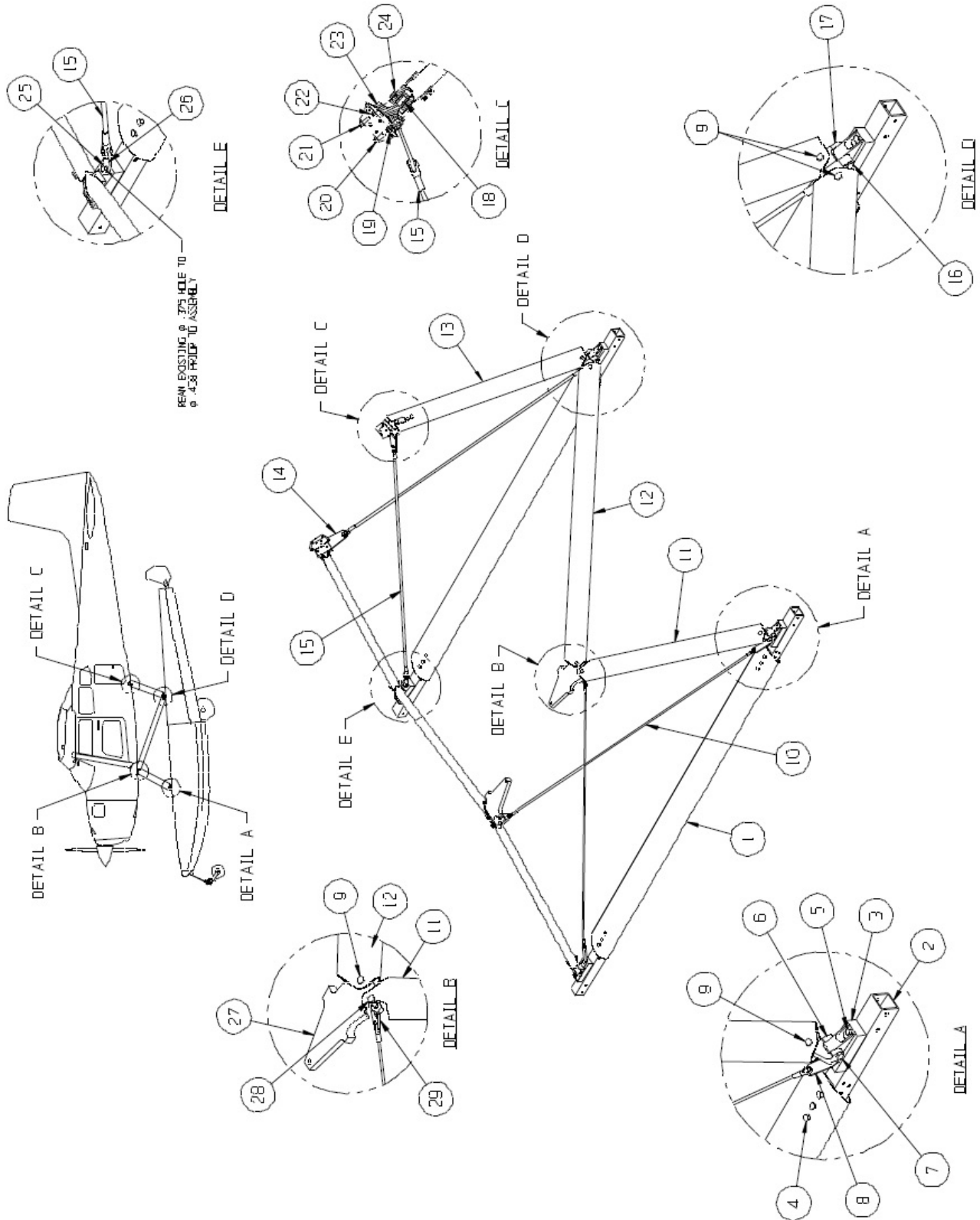
SECTION 9

STRUTS, WIRES, STEPS, AND SPREADER BARS

CONTENTS

| | |
|--|-----|
| STRUTS, WIRES, AND SPREADER BARS | 104 |
| STEPS INSTALLATION..... | 107 |

STRUTS, WIRES, AND SPREADER BARS



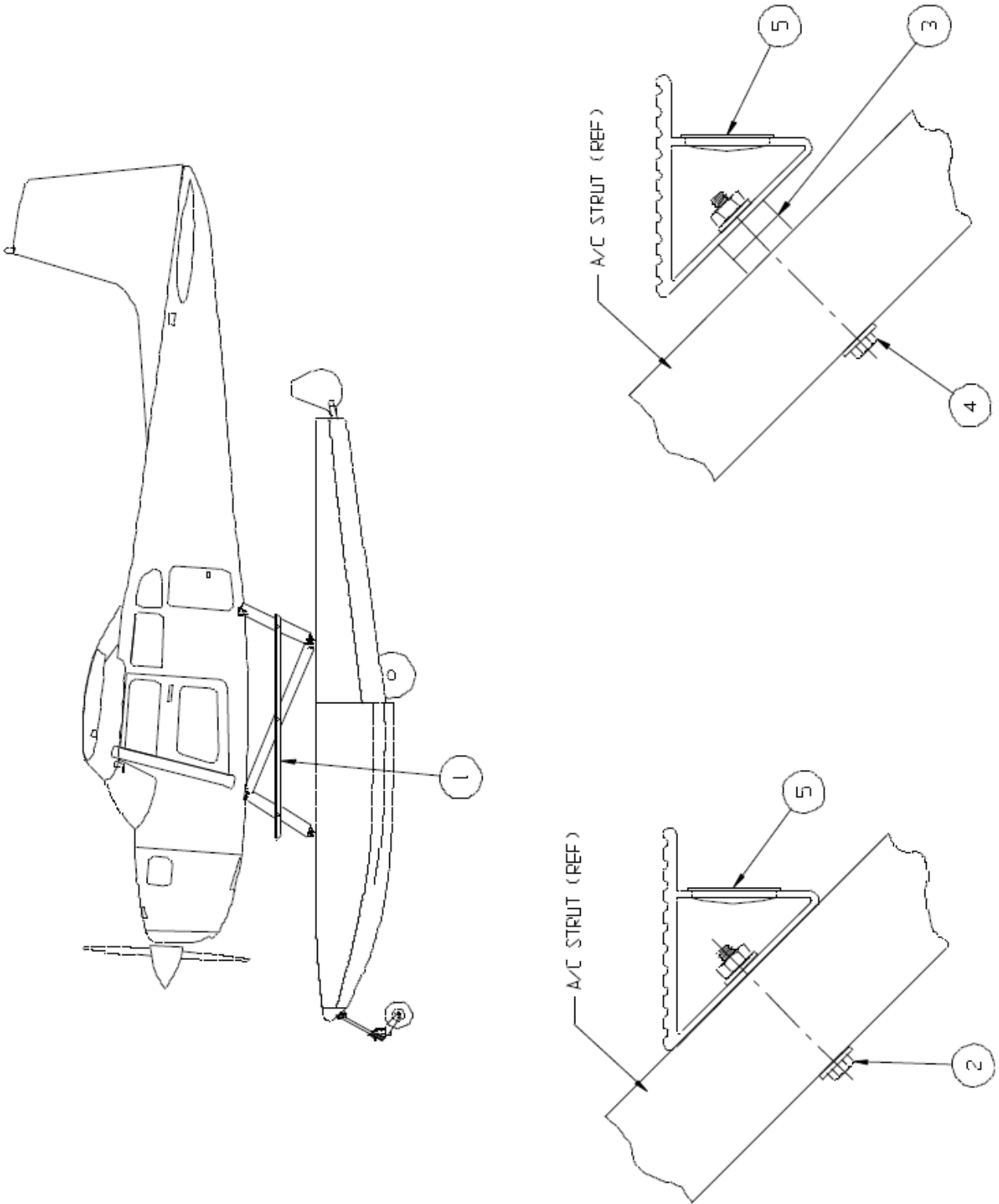
PARTS MANUAL
3450 FLOATS ON CESSNA 185

| ITEM | QTY | PART NO. | PART DESCRIPTION |
|------|-----|----------------|-----------------------------|
| 1 | 2 | 30A03000-031 | SPREADER BAR |
| 2 | 2 | 30A03319-001 | TUBE – SPREADER BAR – L. |
| | 2 | 30A03319-002 | TUBE – SPREADER BAR – R. |
| 3 | 4 | 30A02219-003 | FLOAT DECK FITTING |
| 4 | 12 | AN6-30A | BOLT – SPREADER BAR ATTACH |
| | 24 | NAS1149F0663P | WASHER |
| | 12 | MS21044N6 | NUT |
| 5 | 4 | AN6-41A | BOLT – OUTBOARD ATTACH |
| | 8 | NAS1149F0663P | WASHER |
| | 4 | MS21044N6 | NUT |
| 6 | 2 | 34A02204-015 | FITTING – LOWER FRONT |
| 7 | 2 | AN7-27A | BOLT – FITTING ATTACH |
| | 4 | NAS1149F0763P | WASHER |
| | 2 | MS21044N7 | NUT |
| 8 | 2 | 30A02462-016 | WIRE PULL - FWD |
| | 2 | AN6-43A | BOLT – ATTACH |
| | 4 | NAS1149F0663P | WASHER |
| | 2 | MS21044N6 | NUT |
| 9 | 8 | AN7-20A | BOLT – STRUT ATTACH |
| | 16 | NAS1149F0763P | WASHER |
| | 8 | MS21044N7 | NUT |
| 10 | 2 | 3A02000-044 | ASS'Y – FRONT DRAG WIRE |
| | 2 | MS20392-5C21 | PIN - CLEVIS |
| | 2 | MS24665-301 | PIN - COTTER |
| | 1 | AN665-80LAS | CLEVIS “L” |
| | 1 | AN665-80RAS | CLEVIS “R” |
| | 1 | AN316C6L | CHECK NUT “L” |
| | 1 | AN316C6R | CHECK NUT “R” |
| 11 | 1 | 34A02000-229 | ASS'Y. FWD STRUT – LH |
| | 1 | 34A02000-204 | ASS'Y. FWD STRUT – RH |
| 12 | 2 | 34A02000-205 * | ASS'Y. CENTER STRUT |
| 13 | 1 | 34A02000-207 * | ASS'Y. REAR STRUT - LH |
| | 1 | 34A02000-206 * | ASS'Y. REAR STRUT – RH |
| 14 | 1 | 4A02079-003 | WIRE PULL – UPPER REAR - LH |
| | 1 | 4A02079-004 | WIRE PULL – UPPER REAR – RH |
| 15 | 2 | 34A02000-208 | ASS'Y – REAR DRAG WIRE |
| | 2 | MS24665-370 | PIN - COTTER |
| | 2 | MS20392-6C25 | PIN - CLEVIS |
| | 1 | AN665-115LS * | CLEVIS “L” |
| | 1 | AN665-115RS * | CLEVIS “R” |
| | 1 | AN316C7L | CHECK NUT “L” |

| ITEM | QTY | PART NO. | PART DESCRIPTION |
|------|-----|----------------|----------------------------------|
| | 1 | AN316C7R | CHECK NUT "R" |
| 16 | 2 | AN7-32A | BOLT – RH LOWER – FITTING ATTACH |
| | 4 | NAS1149F0763P | WASHER |
| | 2 | MS21044N7 | NUT |
| 17 | 1 | 34A02207-007 | FITTING – AFT LOWER - LH |
| | 1 | 34A02207-006 | FITTING – AFT LOWER – RH |
| 18 | 2 | COM-8 | BEARING - STRUT |
| | 2 | N5000-100H | RETAINER RING |
| 19 | 2 | AN5-17A | BOLT – FITTING ATTACH |
| | 2 | NAS1149F0563P | WASHER |
| | 2 | MS21044N5 | NUT |
| 20 | 2 | AN5-34A | BOLT – STRUT ATTACH |
| | 2 | NAS1149F0563P | WASHER |
| | 2 | MS21044N5 | NUT |
| 21 | 2 | AN5-31A | BOLT – STRUT ATTACH |
| | 2 | NAS1149F0563P | WASHER |
| | 2 | MS21044N5 | NUT |
| 22 | 2 | AN5-12A | BOLT – FITTING ATTACH |
| | 2 | NAS1149F0563J | WASHER |
| | 2 | MS21044N5 | NUT |
| 23 | 1 | 4A02370-001 | FITTING – UPPER REAR - LH |
| | 1 | 4A02370-002 | FITTING – UPPER REAR - RH |
| 24 | 2 | AN8-22A | BOLT - ATTACH |
| | 4 | NAS1149F0863P | WASHER |
| | 2 | MS21044N8 | NUT |
| 25 | 2 | AN7-43A | BOLT – REAR LUG ATTACH |
| | 4 | NAS1149F0763P | WASHER |
| | 2 | MS20365-720A | NUT |
| 26 | 2 | 34A02496-003 | WIRE PULL – REAR |
| 27 | 1 | 34A02062-015 * | FITTING – UPPER FWD – LH |
| | 1 | 34A02062-014 * | FITTING – UPPER FWD – RH |
| 28 | 2 | AN7-20A | BOLT – UPPER WIRE ATTACH |
| | 2 | NAS1149F0763P | WASHER |
| 29 | 1 | 4A02000-071 | FITTING – UPPER DRAG WIRE - LH |
| | 1 | 4A02000-072 | FITTING – UPPER DRAG WIRE – RH |

"S" DENOTES STAINLESS STEEL

STEPS INSTALLATION



| ITEM | QTY | PART NO. | PART DESCRIPTION |
|------|-----|---------------|----------------------------|
| 1 | 1 | 34A02369-051 | STEP - L.H. |
| | 1 | 34A02369-050 | STEP - R.H. |
| 2 | 2 | AN3-21A | BOLT - CENTER ATTACH |
| | 4 | NAS1149F0363P | WASHER |
| | 2 | MS21044N3 | NUT |
| 3 | 8 | 6A02273-006 | SPACER - FRONT & REAR |
| 4 | 4 | AN3-24A | BOLT - FRONT & REAR ATTACH |
| | 8 | NAS1149F0363P | WASHER |
| | 4 | MS21044N3 | NUT |
| 5 | 6 | BPF | HOLE PLUG |

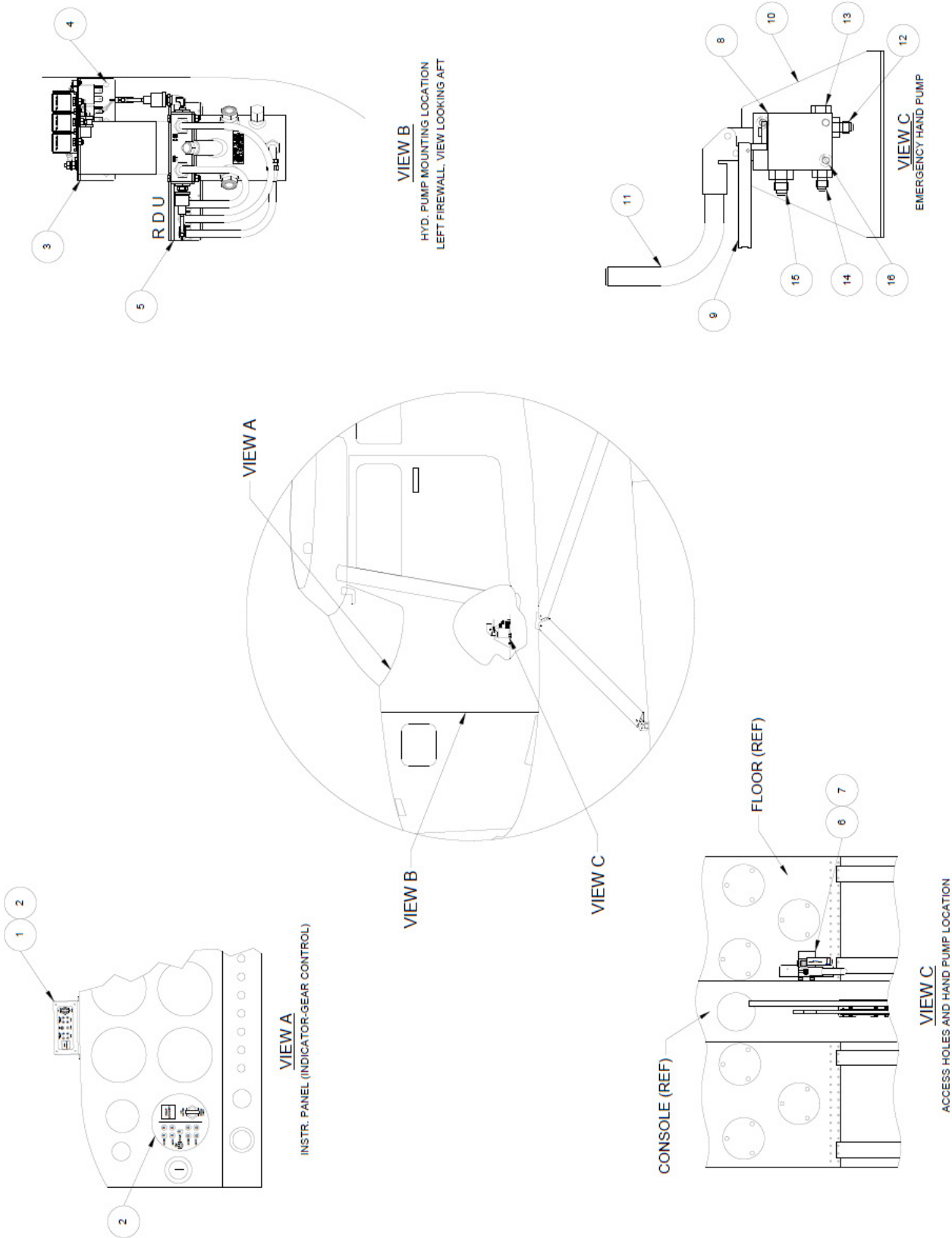
SECTION 10

HYDRAULIC SYSTEM

CONTENTS

| | |
|---|-----|
| HYDRAULIC SYSTEM INSTALLATION POST SERVICE LETTER 230 | 110 |
| HYDRAULIC SYSTEM INSTALLATION PRE SERVICE LETTER 230 | 112 |
| HYDRAULIC PUMP ASSEMBLY POST SERVICE LETTER 230 | 114 |
| HYDRAULIC PUMP ASSEMBLY PRE SERVICE LETTER 230 | 118 |
| HYDRAULIC PUMP OVERVIEW POST SERVICE LETTER 230 | 121 |
| HYDRAULIC PUMP OVERVIEW PRE SERVICE LETTER 230 | 123 |
| HYDRAULIC PUMP SCHEMATIC | 125 |

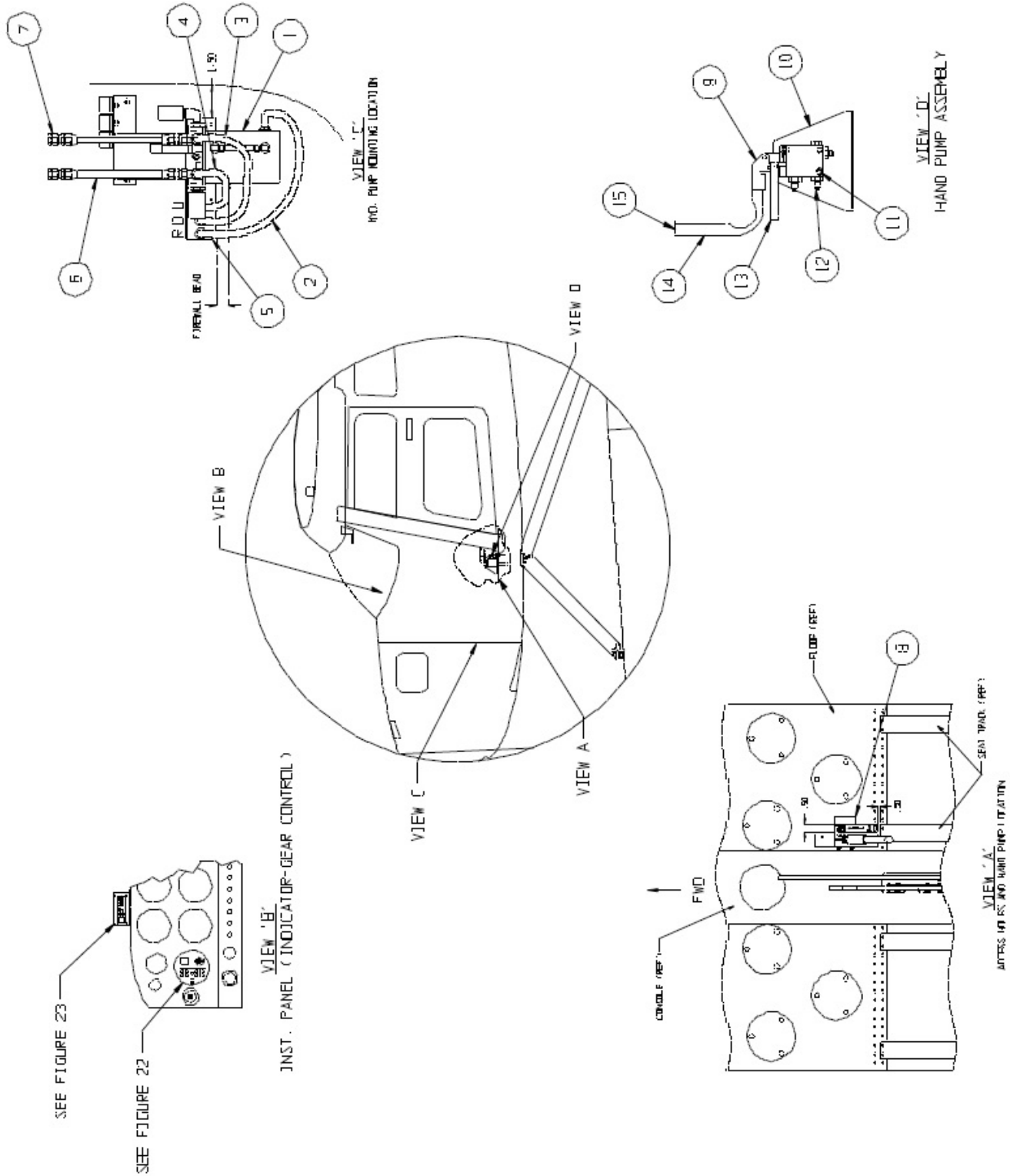
HYDRAULIC SYSTEM INSTALLATION POST SERVICE LETTER 230



PARTS MANUAL
3450 FLOATS ON CESSNA 185

| ITEM | QTY | PART NO. | PART DESCRIPTION |
|------|-----|---------------|---|
| 1 | 1 | 21A11158-194 | COVER, SQUARE GEAR CONTROL HEAD |
| 2 | 4 | MS35214-42 | (GEAR CONTROL HEAD SCREWS) SCREW, 8-32, 0.50 LENGTH |
| 3 | 1 | 1011865 | ASSEMBLY, HYDRAULIC POWER PACK, 12V |
| | 1 | 1011866 | ASSEMBLY, HDYRAULIC POWER PACK, 24V |
| 4 | 3 | AN3-3A | (TOP BRACKET) BOLT, 10-32, 0.063 GRIP, UNDRILLED, STEEL |
| | 3 | MS35333-39 | LOCK WASHER, INTERNAL TOOTH |
| | 3 | AKS7-1032 | THREAD INSERT |
| 5 | 1 | 1011861 | ANGLE, PUMP MOUNT |
| | 4 | CR3243-4-3 | CHERRYMAX RIVET |
| | 2 | 3A09271-001 | SPACER, HYDRAULIC PUMP |
| | 2 | 3A09702-012 | BOLT, MODIFIED, SOCKET HEAD CAP, 3/8-16 THREAD |
| | 4 | NAS1149F0663P | WASHER |
| 6 | 1 | 34A09000-267 | ASSEMBLY, HAND PUMP |
| 7 | 3 | AN3-4A | BOLT, 10-32 THREAD |
| | 3 | MS35333-39 | LOCK WASHER, INTERNAL TOOTH |
| | 3 | NAS1149F0363P | WASHER |
| | 3 | AKS7-1032 | THREAD INSERT |
| 8 | 1 | 642873 | HAND PUMP (ONLY) |
| 9 | 1 | 12A3-7379-1 | PLACARD, EMERGENCY HAND PUMP |
| 10 | 1 | 34A09156-166 | BRACKET, PUMP ATTACH |
| 11 | 1 | 21A09396-001 | HANDLE |
| | 1 | 9283K13 | CAP PLUG |
| 12 | 1 | 21A09746-001 | UNION |
| | 1 | MS28775-012 | O-RING, HYDRAULIC PACKING, 0.364 ID |
| 13 | 1 | AN814-4D | PLUG, 7/16-20 THREAD |
| | 1 | MS28775-012 | O-RING, HYDRAULIC PACKING, 0.364 ID |
| 14 | 1 | AN815-4D | UNION |
| | 1 | MS28775-012 | O-RING, HYDRAULIC PACKING, 0.364 ID |
| 15 | 1 | AN919-6D | UNION |
| | 1 | MS28775-014 | O-RING, HYDRAULIC PACKING, 0.489 ID |
| 16 | 3 | MS16997-77 | SOCKET HEAD CAP SCREW, 5/16-18 THREAD |
| | 3 | MS35333-41 | LOCK WASHER, INTERNAL TOOTH |
| | 3 | NAS1149F0563P | WASHER, 0.328 ID, 0.063 THK, STEEL |
| | 1 | 9283K13 | CAP PLUG |
| 17 | 2 | 34A04000-119 | ASSEMBLY, BRAKE LINES |
| | 2 | 63-190600-3 | FITTING, AERO QUIP #3, STRAIGHT |

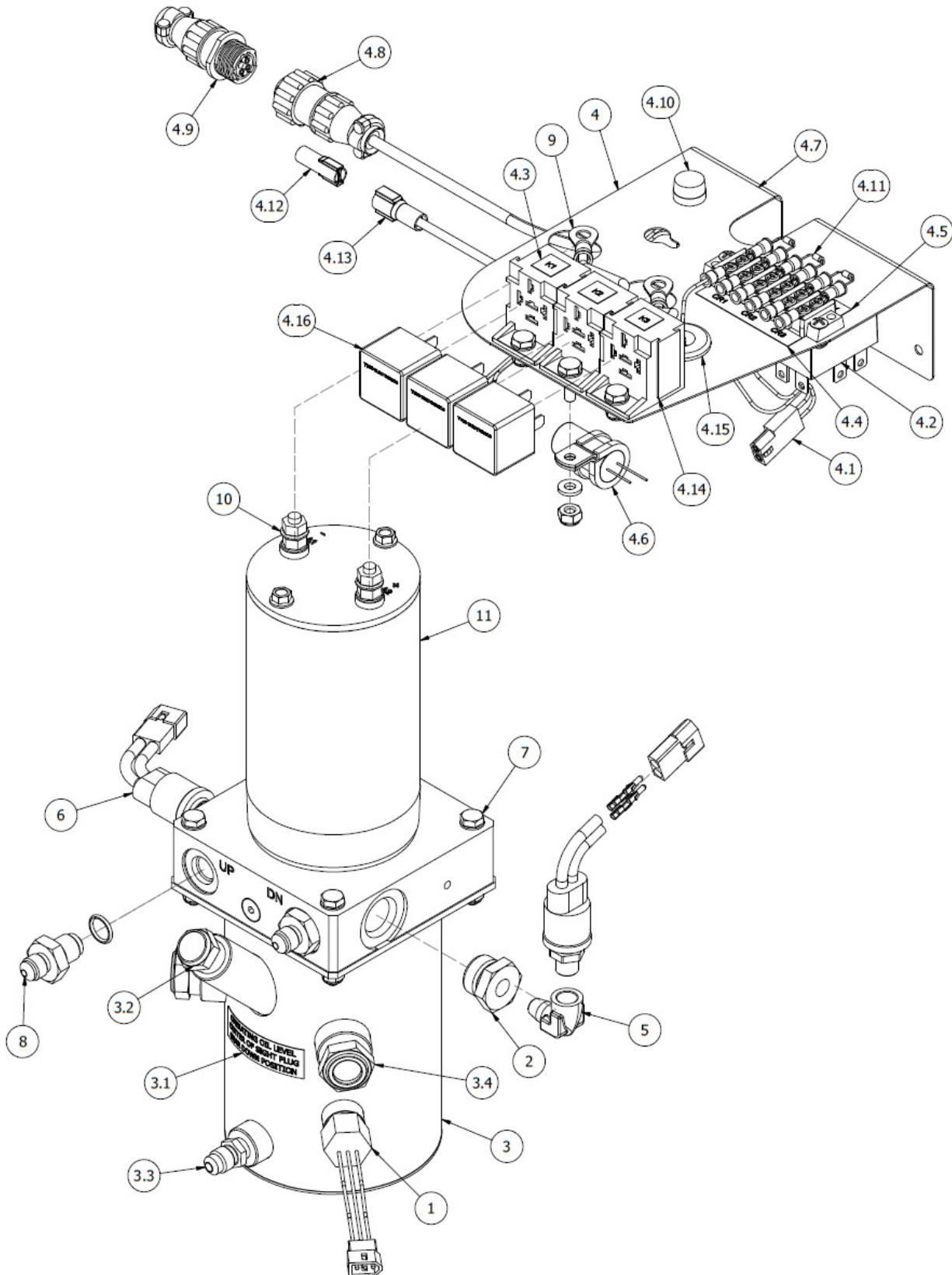
HYDRAULIC SYSTEM INSTALLATION PRE SERVICE LETTER 230

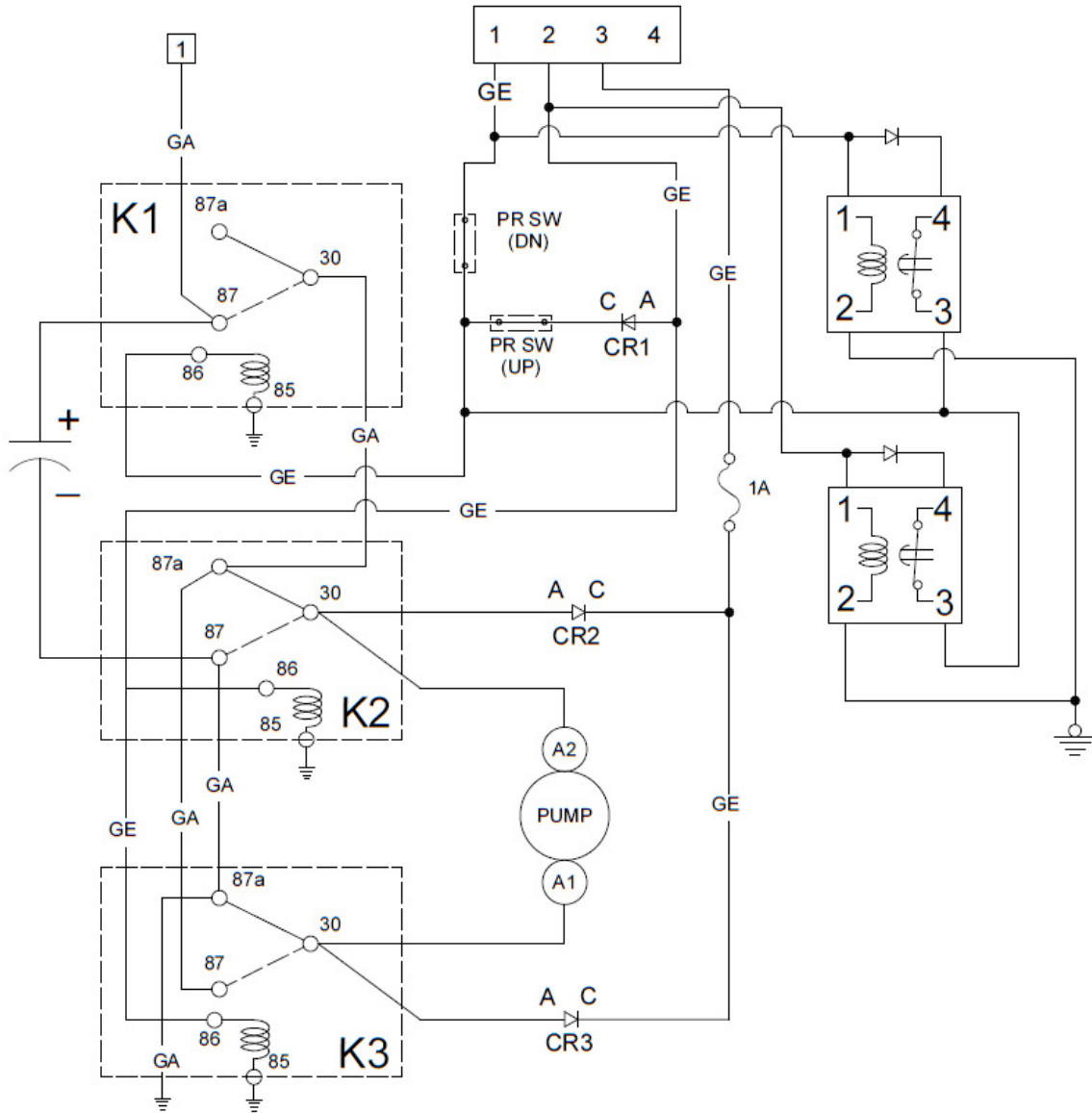


PARTS MANUAL
3450 FLOATS ON CESSNA 185

| ITEM | QTY | PART NO. | PART DESCRIPTION |
|------|-----|------------------------|------------------------------|
| 1 | 1 | 34A09000-266 | ASS'Y – HYDRAULIC PUMP (12V) |
| 2 | 1 | 34A09000-281 | ASS'Y – HYDRAULIC PUMP (24V) |
| 3 | 1 | 34A09000-246 | ASS'Y – HYDRAULIC HOSE |
| 4 | 1 | 34A09000-247 | ASS'Y – HYDRAULIC HOSE |
| 5 | 1 | 34A09000-248 | ASS'Y – HYDRAULIC HOSE |
| | 1 | 34A09357-074 | ANGLE – PUMP MOUNT |
| | 4 | CR3243-4-3 | RIVET - ATTACH |
| | 2 | 3A09271-001 | SPACER |
| | 2 | 3A09702-012 | BOLT - ATTACH |
| 6 | 4 | NAS1149FO663P | WASHER |
| 7 | 2 | 8A09000-048 | ASS'Y – HOSE ACCUMULATOR |
| 8 | 2 | AN806-4D | PLUG |
| 9 | 1 | 34A09000-267 | ASS'Y – HAND PUMP (COMPLETE) |
| 10 | 1 | 638203 | HAND PUMP ONLY |
| 11 | 1 | 34A09156-166 | BRACKET |
| | 3 | 5/16-18UNC-2B X .63 | CAP SCREW |
| | 3 | MS35333-40 | WASHER |
| 12 | 3 | NAS1149FO563J | WASHER |
| | 3 | AN815-4D | UNION |
| 13 | 3 | MS28775-011 | “O” RING |
| 14 | 1 | 21A12000-052 | ASS'Y – HANDLE SELECTOR |
| 15 | 1 | 21A09396-001 | HANDLE - PUMP |
| | 1 | 9283K13 | CAP PLUG |

HYDRAULIC PUMP ASSEMBLY POST SERVICE LETTER 230





POWER PACK SCHEMATIC
 (RELAYS SHOWN IN RELAXED CONDITION)

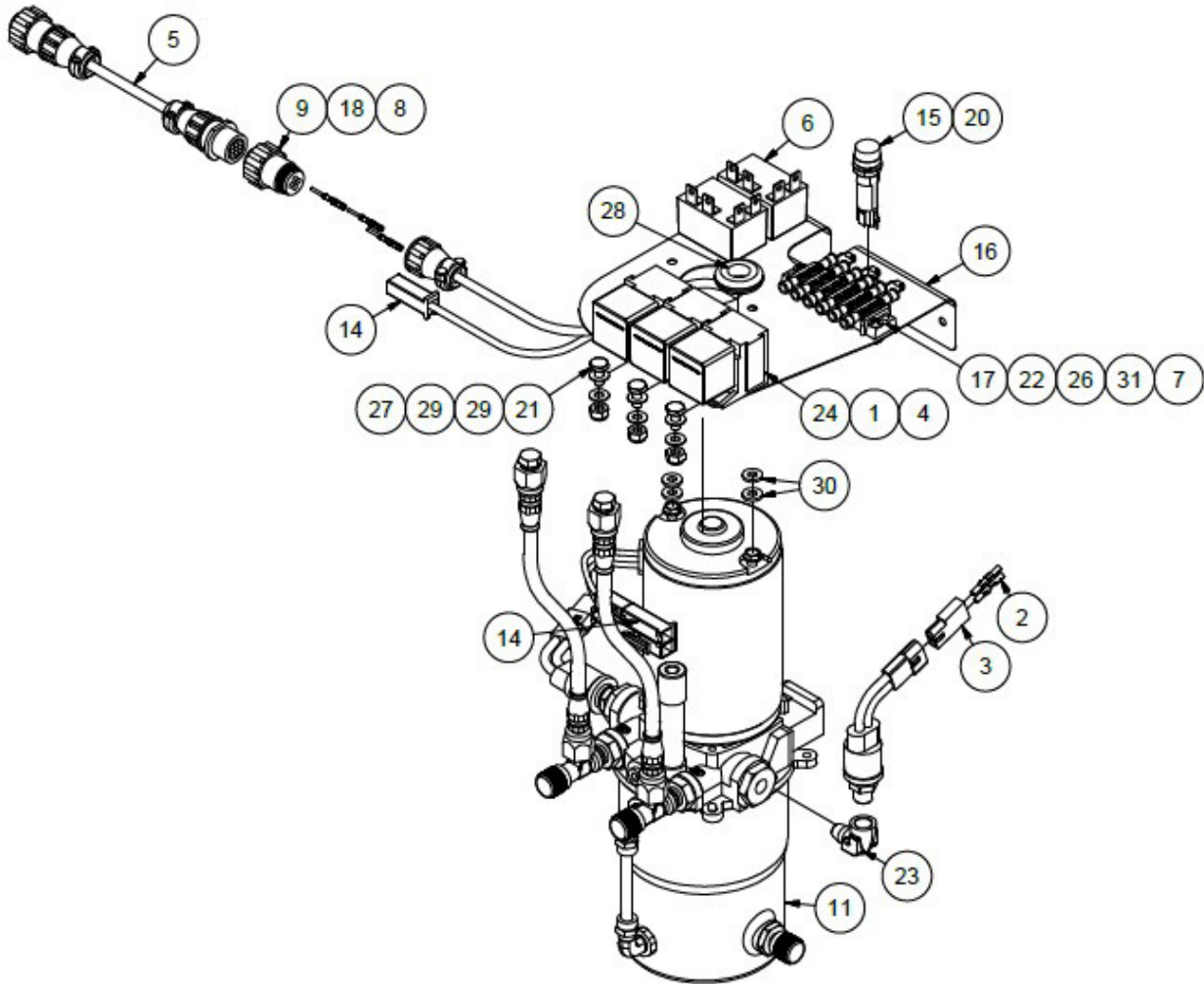
- 1. GE WIRES 20 GA
- 2. GA WIRES 12 GA

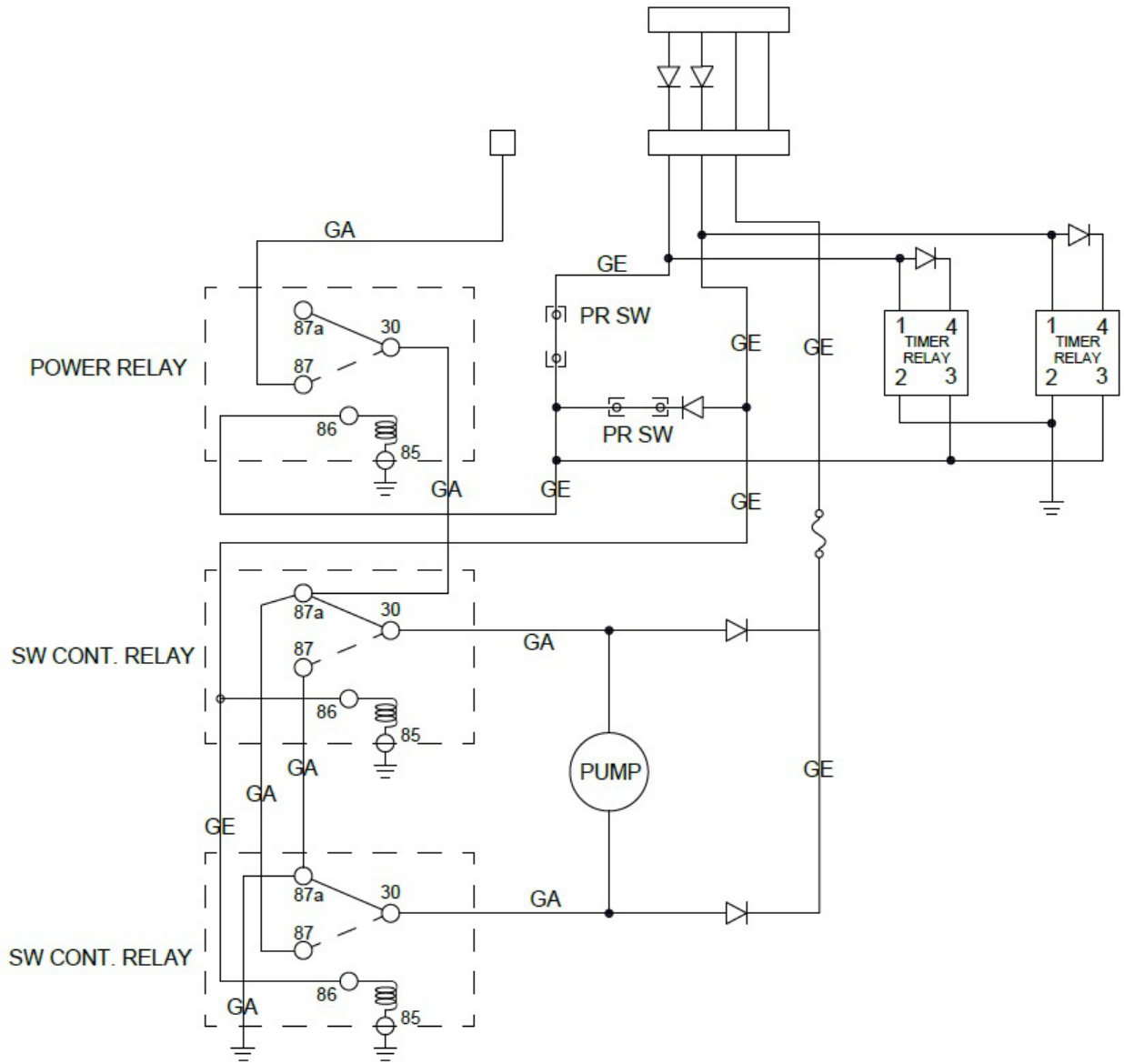
| ITEM | QTY | PART NO. | PART DESCRIPTION |
|------|-----|---------------|--|
| - | 1 | 1011865 | ASSEMBLY, HYDRAULIC POWER PACK, 12V |
| - | 1 | 1011866 | ASSEMBLY, HYDRAULIC POWER PACK, 24V |
| 1 | 1 | 1009428 | ASSEMBLY, SENSOR, FLUID LEVEL |
| | 1 | 93786A200 | PRESSURE SEALING WASHER, M12 |
| 2 | 2 | 1011062 | ASSEMBLY, PLUG, PRESSURE SWITCH PORT |
| 3 | 1 | 1011847 | ASSEMBLY, HYDRAULIC RESERVOIR |
| 3.1 | 1 | 1011848 | PLACARD, OIL LEVEL |
| 3.2 | 1 | 2EJT7 | BREATHER VENT |
| 3.3 | 1 | AN816-4D | NIPPLE, FLARED TUBE AND PIPE THREAD |
| 3.4 | 2 | LSP-151-04-01 | LIQUID LEVEL SIGHT PLUG |
| 4 | 1 | 1011863 | ASSEMBLY, TOP PLATE, 12V |
| | 1 | 1011864 | ASSEMBLY, TOP PLATE, 24V |
| 4.1 | 2 | 03-09-1022 | CONNECTOR PLUG, MALE, 2 CONN. |
| | 4 | 02-09-1104 | PIN, CRIMP FEMALE, 1/8" DIA. |
| 4.2 | 1 | 1005042 | TIMER RELAY HARNESS, 12VDC |
| | 1 | 1005043 | TIMER RELAY HARNESS, 24VDC |
| 4.3 | 1 | 1009143-01 | PLACARD, K1 INDICATOR |
| | 1 | 1009143-02 | PLACARD, K2 INDICATOR |
| | 1 | 1009143-03 | PLACARD, K3 INDICATOR |
| 4.4 | 1 | 1009144-01 | PLACARD, CR INDICATOR |
| 4.5 | 1 | 1009144-02 | PLACARD, AC INDICATOR |
| 4.6 | 1 | 1011798 | ASSEMBLY, CAPACITOR |
| | 1 | MS21919WDG10 | CLAMP, LOOP, CUSHIONED, 5/8" TUBE OD |
| | 1 | AN3-5A | BOLT, 10-32, 0.25 GRIP, UNDRILLED, STEEL |
| | 1 | NAS1149F0332P | WASHER, 0.203 ID, 0.032 THK, STEEL |
| | 1 | NAS1149F0363P | WASHER, 0.203 ID, 0.063 THK, STEEL |
| | 1 | MS21044N3 | NUT, LOCKING, REGULAR HEIGHT, 10-32 UNF |
| 4.7 | 1 | 1011862 | TOP PLATE, HYDRAULIC PUMP |
| 4.8 | 1 | 206429-1 | PLUG, MALE, CPC SIZE 1, 4 PIN |
| | 3 | 66103-4 | PIN, CRIMP SOCKET, 24-20 AWG |
| | 1 | 206062-3 | CLAMP, CABLE, CPC SIZE 11 |
| 4.9 | 1 | 206430-2 | PLUG, FEMALE, CPC SIZE 1, 4 PIN |
| | 3 | 66105-4 | CRIMP, SOCKET, FEMALE |
| | 1 | 206062-3 | CLAMP, CABLE, CPC SIZE 11 |
| 4.10 | 1 | 3453LF2A | FUSE HOLDER |
| | 1 | AGC-1 | FUSE, 250V, 1 AMP |
| 4.11 | 1 | 6-140 | TERMINAL BLOCK, 6 CONNECTOR |
| | 2 | AN526C632R8 | SCREW, MACHINE, TRUSS HEAD, 6-32 THREAD |
| | 2 | MS21044N06 | NUT, LOCKING, REGULAR HEIGHT, 6-32 UNC |
| | 12 | MS25036-102 | RING TERMINAL, #6 STUD, 16-22 WAG, RED |
| | 3 | 1N4004 | DIODE |

PARTS MANUAL
3450 FLOATS ON CESSNA 185

| ITEM | QTY | PART NO. | PART DESCRIPTION |
|------|-----|----------------------------------|--|
| 4.12 | 1 | 73F-250-32-NL | CONNECTOR, FEMALE, 10-12 AWG, FULLY INSULATED |
| 4.13 | 1 | 73M-250-32-NL | CONNECTOR, MALE, 10-12 AWG, FULLY INSULATED |
| 4.14 | 3 | BR05-FW | SOCKET, 5 PRONG, PLASTIC |
| | 14 | 1-901-355-917 | TERMINAL |
| | 2 | AN3-3A | BOLT, 10-32, 0.063 GRIP, UNDRILLED, STEEL |
| | 6 | NAS1149F0332P | WASHER, 0.203 ID, 0.032 THK, STEEL |
| | 2 | MS21044N3 | NUT, LOCKING, REGULAR HEIGHT, 10-32 UNC |
| 4.15 | 1 | MS35489-14 | GROMMET, RUBBER |
| 4.16 | 3 | V23234- A0001-X032 | RELAY, 5 PRONG, 12V |
| | 1 | 0-332-209-211 | RELAY, 5 PRONG, 24V |
| 5 | 1 | 20PS001EB700 W500W | PRESSURE SWITCH |
| | 1 | AN914-1D | ELBOW, 90 DEGREE, INTERNAL, EXTERNAL PIPE THREAD |
| | 1 | 03-09-2022 | CONNECTOR, PLUG, FEMALE |
| | 2 | 02-09-2118 | PIN, CRIMP MALE, 1/8" DIA. |
| 6 | 1 | 20PS001EB700 W500W | PRESSURE SWITCH |
| | 1 | 03-09-2022 | CONNECTOR, PLUG, FEMALE |
| | 2 | 02-09-2118 | PIN, CRIMP MALE, 1/8" DIA |
| 7 | 4 | AN3-16A | BOLT, 10-32, 1.375 GRIP, UNDRILLED, STEEL |
| | 4 | NAS1149F0332P | WASHER, 0.203 ID, 0.032 THK, STEEL |
| | 4 | NAS1149F0363P | WASHER, 0.203 ID, 0.063 THK, STEEL |
| | 4 | MS21044N3 | NUT, LOCKING, REGULAR HEIGHT, 10-32 UNF |
| 8 | 2 | AN919-3D | FITTING, REDUCER |
| | 2 | MS28775-013 | O-RING, HYDRAULIC, 0.426 ID |
| 9 | 2 | MS25036-157 | RING TERMINAL, 1/4 STUD, 10-12 AWG, YELLOW |
| 10 | 2 | NAS1149F0432P | WASHER, 0.265 ID, 0.032 THK, STEEL |
| 11 | 1 | YBZS- C0.63W1T100K/ UVZOT2 | HYDRAULIC PUMP, 12VDC |
| | 1 | YBZS- C0.63W2T100K/ UVZOT2 | HYDRAULIC PUMP, 24VDC |

HYDRAULIC PUMP ASSEMBLY PRE SERVICE LETTER 230

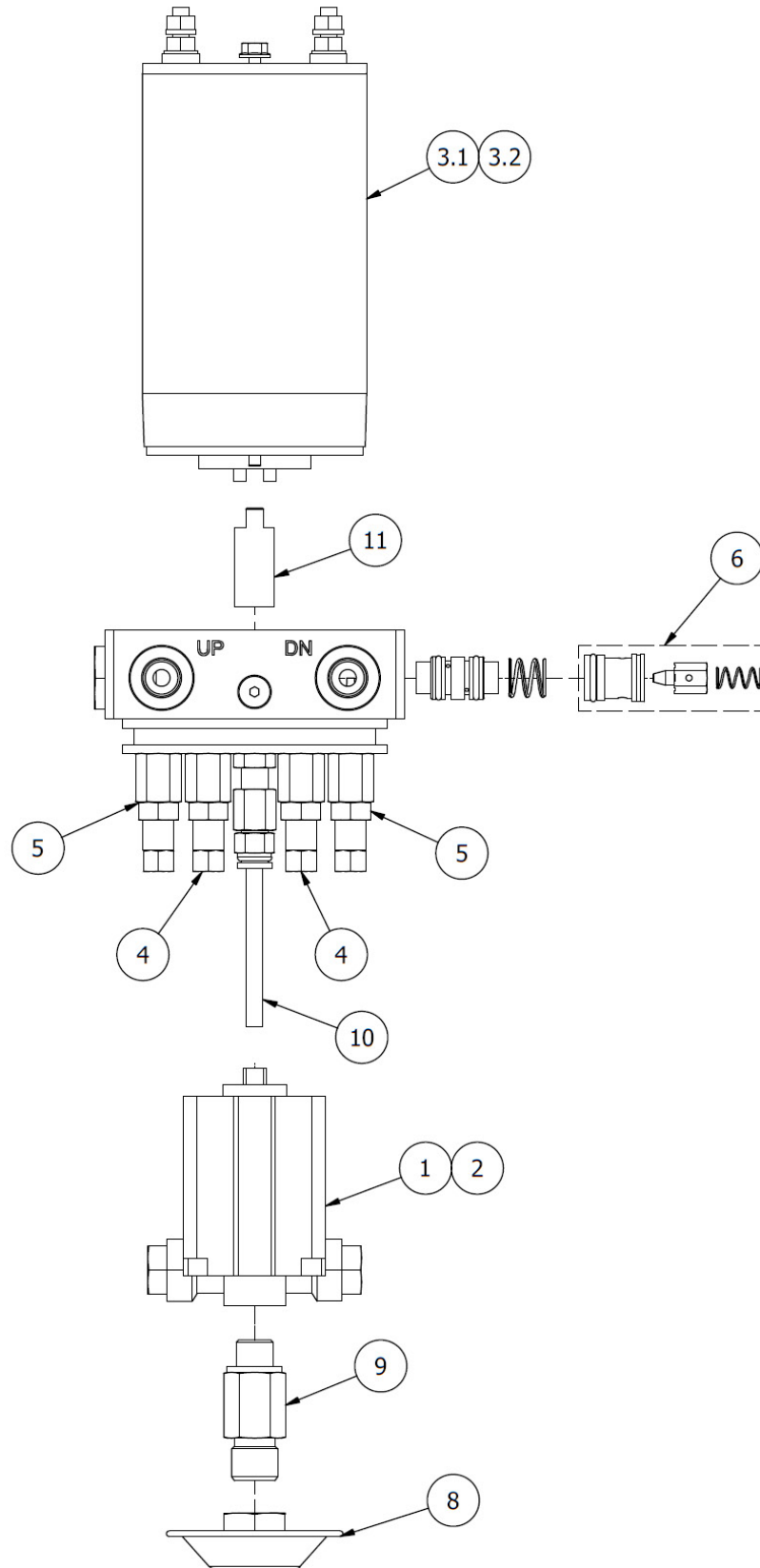




ELECTRICAL SCHEMATIC
 PUMP WIRING SCHEMATIC
 (RELAYS SHOWN IN RELAXED CONDITION)
 1. GE WIRES 20 GA
 2. GA WIRES 12 GA

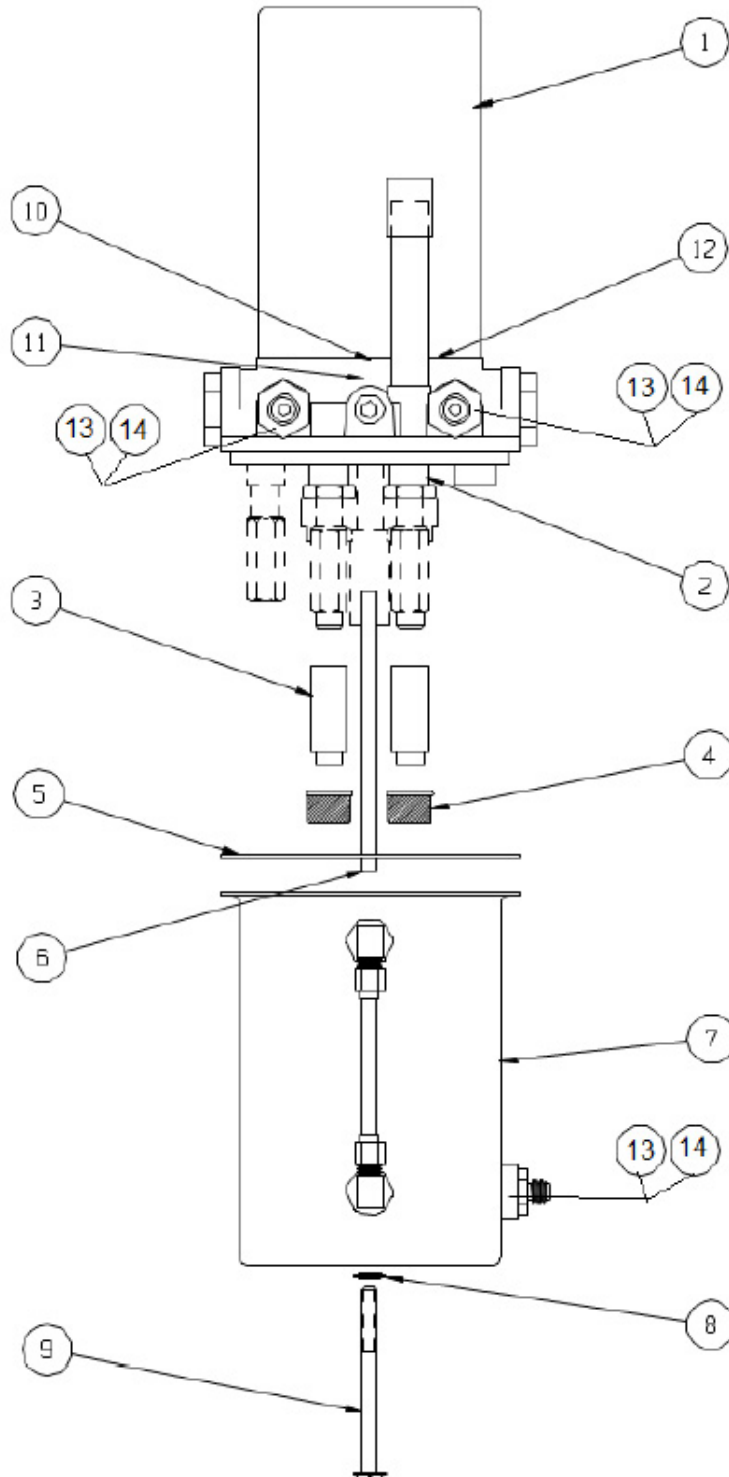
| ITEM | QTY | PART NO. | PART DESCRIPTION |
|------|---------|---------------|-----------------------------------|
| 1 | 3 | 0-332-209-137 | RELAY, 12V, 5 PRONG |
| | 3 | 0-332-209-211 | RELAY, 24V, 5 PRONG |
| 2 | 4 | 02-09-1104 | PIN, CRIMP FEMALE, 1/8" DIA |
| 3 | 2 | 03-09-1022 | CONNECTOR PLUG, MALE, 2 CONN. |
| 4 | 14 | 1-901-355-917 | TERMINAL |
| 5 | 1 | 1004949 | CABLE, DIODE ADAPTOR |
| 6 | 1 | 1005042 | TIMER RELAY HARNESS 12V |
| | 1 | 1005043 | TIMER RELAY HARNESS 24V |
| 7 | 3 | 1N4004 | DIODE, 2-1/2" |
| 8 | 2 | 206062-3 | CLAMP, CABLE, CPC SIZE 11 |
| 9 | 1 | 206429-1 | PLUG, MALE, CPC SIZE 1, 4 PIN |
| 10 | 1 | 206430-2 | CPC FREE HANG, 4 PIN, FEMALE |
| 11 | 1 | 21A09000-215 | ASSEMBLY, HYDRAULIC PUMP, 12V |
| | 1 | 21A09000-282 | ASSEMBLY, HYDRAULIC PUMP, 24V |
| 12 | 6 FT | 22759-16-12-9 | WIRE, 12 AWG, WHITE |
| 13 | 10.1 FT | 22759-16-20-9 | WIRE, 20 AWG, WHITE |
| 14 | 1 | 73F-250-32-NL | CONNECTOR, FEMALE, 10-12 AWG |
| | 1 | 73M-250-32-NL | CONNECTOR, MALE, 10-12 AWG |
| 15 | 1 | 3453LF2A | FUSE HOLDER |
| 16 | 1 | 34A09005-291 | BRACKET - HYD. PUMP |
| 17 | 1 | 6-140 | TERMINAL BLOCK, 6 CONNECTOR |
| 18 | 3 | 66103-4 | PIN, CRIMP SOCKET, 24-20G |
| 19 | 3 | 66105-4 | CRIMP SOCKET, FEMALE |
| 20 | 1 | AGC-1 | FUSE, 250V, (S2565-1) |
| 21 | 3 | AN3-3A | BOLT |
| 22 | 2 | AN526-632R8 | SCREW, MACHINE, TRUSS HEAD |
| 23 | 1 | AN914-1D | ELBOW 90°, INTERNAL EXTERNAL PIPE |
| 24 | 3 | BR05FW | SOCKET, 5 PRONG, PLASTIC |
| 25 | 1.5 FT | HS105-3/16-0 | HEAT SHRINK, TUBING, BLACK |
| 26 | 2 | MS21044N06 | NUT |
| 27 | 3 | MS21044N3 | NUT |
| 28 | 1 | MS35489-14 | GROMMET |
| 29 | 6 | NAS1149F0332P | WASHER |
| 30 | 4 | NAS1149F0363P | WASHER |
| 31 | 12 | R-3 | RING CONNECTOR |
| 32 | 1 | 34A09357-074 | ANGLE - PUMP MOUNT (NOT SHOWN) |

HYDRAULIC PUMP OVERVIEW POST SERVICE LETTER 230



| ITEM | QTY | PART NO. | PART DESCRIPTION |
|------|-----|----------|--|
| 1 | 1 | 202-0003 | BI-DIRECTIONAL PUMP, 0.64 ML/R |
| 2 | 1 | 299-0008 | SEAL KIT, BI-DIRECTIONAL GEAR PUMP |
| 3.1 | 1 | 610-0010 | DC MOTOR, 12V, .8KW |
| 3.2 | 1 | 610-0017 | DC MOTOR, 24V, .8KW |
| 4 | 2 | 631-0005 | PRESSURE RELIEF VALVE |
| 5 | 2 | 631-0006 | THERMAL RELIEF VALVE |
| 6 | 2 | 632-0004 | ASSEMBLY, PILOT OPERATED CHECK VALVE |
| 7 | 1 | 637-0024 | SHUTTLE VALVE |
| 8 | 1 | 682-0019 | FILTER, PICKUP TUBE, HYDRAULIC PUMP |
| 9 | 1 | 682-0055 | SUCTION HEX TUBE |
| 10 | 1 | 682-0056 | RETURN TUBE |
| 11 | 1 | 683-0011 | COUPLING, MOTOR TO PUMP |
| 12 | 2 | 685-0012 | SPRING, SHUTTLE VALVE |
| 13 | 1 | 687-0001 | SEAL KIT, RESERVIOR O-RING, PILOT OPERATED RELIEF VALVE O-RING, THERMAL AND PRESSURE RELIEF VALVE O-RING (NOT SHOWN) |

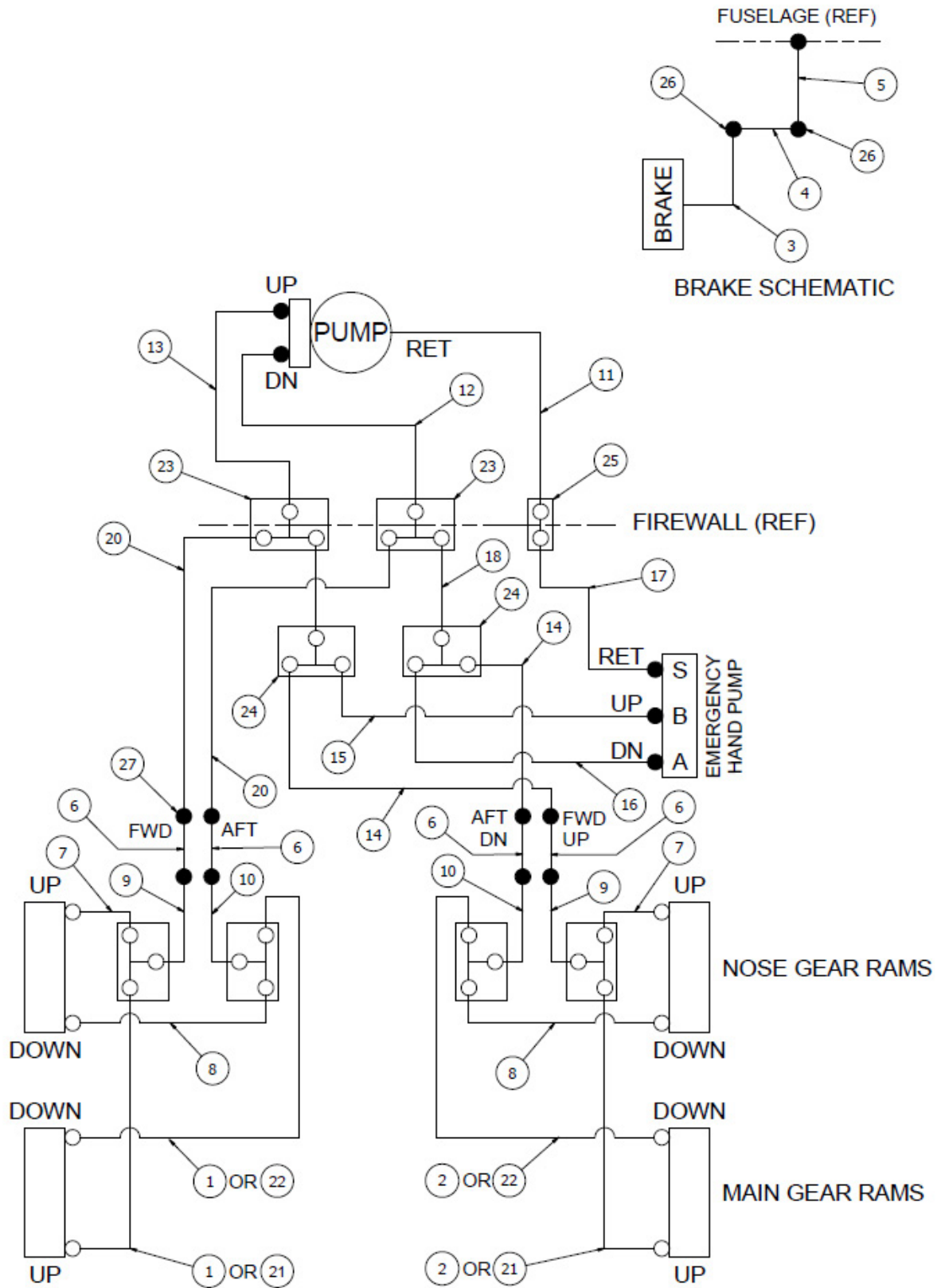
HYDRAULIC PUMP OVERVIEW PRE SERVICE LETTER 230



| ITEM | QTY | PART NO. | PART DESCRIPTION |
|------|-----|--------------|------------------------------------|
| 1 | 1 | 21A09000-215 | HYDRAULIC PUMP ASS'Y (12V) |
| | 1 | 21A09000-282 | HYDRAULIC PUMP ASS'Y (24V) |
| | 1 | 640661 | MOTOR (12V) |
| | 1 | 641131 | MOTOR (24V) |
| 2 | 1 | 634873 | BASIC PUMP |
| 3 | 2 | 362136 | TUBE EXTENSIONS |
| 4 | 2 | 410521* | FILTER |
| 5 | 1 | 410578* | SEAL RESERVIOR |
| 6 | 1 | 365047 | RETURN TUBE |
| 7 | 1 | 775260 | RESERVIOR – GAUGE ASS'Y |
| 8 | 1 | 415067 | SEAL THREAD |
| 9 | 1 | 409715* | SCREW – RESERVIOR ATTACH |
| 10 | 1 | 361183* | COUPLING – MOTOR TO PUMP |
| 11 | 1 | 410512 | SEAL – PUMP SHAFT |
| 12 | 1 | 405673 | “O” RING MOTOR TO BASE |
| 13 | 3 | AN815-4D | UNION |
| 14 | 3 | MS28775-012 | O RING, HYDRAULIC PACKING 0.364 ID |

*Reference Wipaire drawing 1011065 for alternate part numbers.

HYDRAULIC PUMP SCHEMATIC



| ITEM | QTY | PART NO. | PART DESCRIPTION |
|------|-----|---------------|--|
| 1 | 2 | 1008438 | ASSEMBLY, HYDRAULIC HOSE, FLOAT TEE TO MAIN, ALUMINUM GEAR, LEFT FLOAT |
| 2 | 2 | 1008439 | ASSEMBLY, HYDRAULIC HOSE, FLOAT TEE TO MAIN, ALUMINUM GEAR, RIGHT FLOAT |
| 3 | 2 | 21A04000-078 | ASSEMBLY, HYDRAULIC HOSE, WHEEL WELL BRAKE LINE |
| 4 | 2 | 21A04000-079 | ASSEMBLY, ALUMINUM HYDRAULIC LINE, BRAKE LINE |
| 5 | 2 | 21A04000-080 | ASSEMBLY, HYDRAULIC HOSE, BRAKE LINE, FLOAT TO PLANE |
| 6 | 4 | 21A09000-206 | ASSEMBLY, HYDRAULIC HOSE, (S/N 30154 AND PRIOR FITTED WITH SERVICE KIT 66) |
| | 4 | 1002482 | ASSEMBLY, HYDRAULIC HOSE (S/N 30155 AND LATER FITTED WITH OR WITHOUT SERVICE KIT 66) |
| 7 | 2 | 30A09000-268 | ASSEMBLY, HYDRAULIC HOSE, FLOAT TEE TO NOSE UP |
| 8 | 2 | 30A09000-269 | ASSEMBLY, HYDRAULIC HOSE, FLOAT TEE TO NOSE DOWN |
| 9 | 2 | 30A09000-272 | ASSEMBLY, HYDRAULIC HOSE, FLOAT UP TEE TO FLOAT DECK |
| 10 | 2 | 30A09000-273 | ASSEMBLY, HYDRAULIC HOSE, FLOAT DOWN TEE TO FLOAT DECK |
| 11 | 1 | 34A09000-246 | ASSEMBLY, HYDRAULIC HOSE, PUMP RESERVOIR TO FIREWALL |
| 12 | 1 | 34A09000-247 | ASSEMBLY, HYDRAULIC HOSE, PUMP DOWN TO FIREWALL |
| 13 | 1 | 34A09000-248 | ASSEMBLY, HYDRAULIC HOSE, PUMP UP TO FIREWALL |
| 14 | 2 | 34A09000-249 | ASSEMBLY, HYDRAULIC HOSE, RIGHT FUSELAGE TO TEE |
| 15 | 1 | 34A09000-250 | ASSEMBLY, HYDRAULIC HOSE, "B" HAND PUMP TO TEE UP |
| 16 | 1 | 34A09000-251 | ASSEMBLY, HYDRAULIC HOSE, "A" HAND PUMP TO TEE DOWN |
| 17 | 1 | 34A09000-252 | ASSEMBLY, HYDRAULIC HOSE, "S" HAND PUMP TO FIREWALL |
| 18 | 1 | 34A09000-253 | ASSEMBLY, HYDRAULIC HOSE, FIREWALL TO TEE DOWN |
| 19 | 1 | 34A09000-254 | ASSEMBLY, HYDRAULIC HOSE, FIREWALL TO TEE UP |
| 20 | 2 | 34A09000-255 | ASSEMBLY, HYDRAULIC HOSE, LEFT FUSELAGE TO TEE |
| 21 | 2 | 34A09000-274 | ASSEMBLY, HYDRAULIC HOSE, FLOAT TEE TO MAIN UP, STEEL GEAR |
| 22 | 2 | 34A09000-275 | ASSEMBLY, HYDRAULIC HOSE, FLOAT TEE TO MAIN DOWN, STEEL GEAR |
| 23 | 2 | AN804-4D | TEE, FLARED TUBE WITH BULKHEAD ON RUN, 1/4" TUBE DIA., 5/16-20 THREAD |
| | 2 | AN924-4D | NUT, TUBE, BULKHEAD AND UNIVERSAL FITTING, 7/16-20 THREAD |
| | 2 | NAS1149F0763P | WASHER, .453 ID, .063 THK, STEEL |
| 24 | 2 | AN824-4D | TEE, FLARED TUBE, ALUMINUM, TUBE 1/4 OD, 7/16-20 THREAD |
| 25 | 1 | AN832-4D | FITTING, UNION, BULKHEAD, FLARED TUBE, 7/16-20 THREAD |
| | 1 | AN924-4D | NUT, TUBE, BULKHEAD AND UNIVERSAL FITTING, 7/16-20 THREAD |
| | 1 | NAS1149F0763P | WASHER, .453 ID, .063 THK, STEEL |
| 26 | 2 | AN833-3D | FITTING, ELBOW, 90 DEGREE, BULKHEAD, FLARED TUBE, 3/8-24 THREAD |

PARTS MANUAL
3450 FLOATS ON CESSNA 185

| ITEM | QTY | PART NO. | PART DESCRIPTION |
|------|-----|---------------|---|
| | 2 | AN924-3D | NUT, TUBE, BULKHEAD AND UNIVERSAL FITTING, 3/8-24 THREAD |
| | 2 | NAS1149D0663J | WASHER, .39 ID, .063 THK, ALUMINUM |
| 27 | 4 | AN833-4D | FITTING, ELBOW, 90 DEGREE, BULKHEAD, FLARED TUBE, 7/16-20 THREAD |
| | 4 | AN924-4D | NUT, TUBE, BULKHEAD AND UNIVERSAL FITTING, 7/16-20 THREAD |
| | 4 | NAS1149F0763P | WASHER, .453 ID, .063 THK, STEEL |

THIS PAGE INTENTIONALLY LEFT BLANK

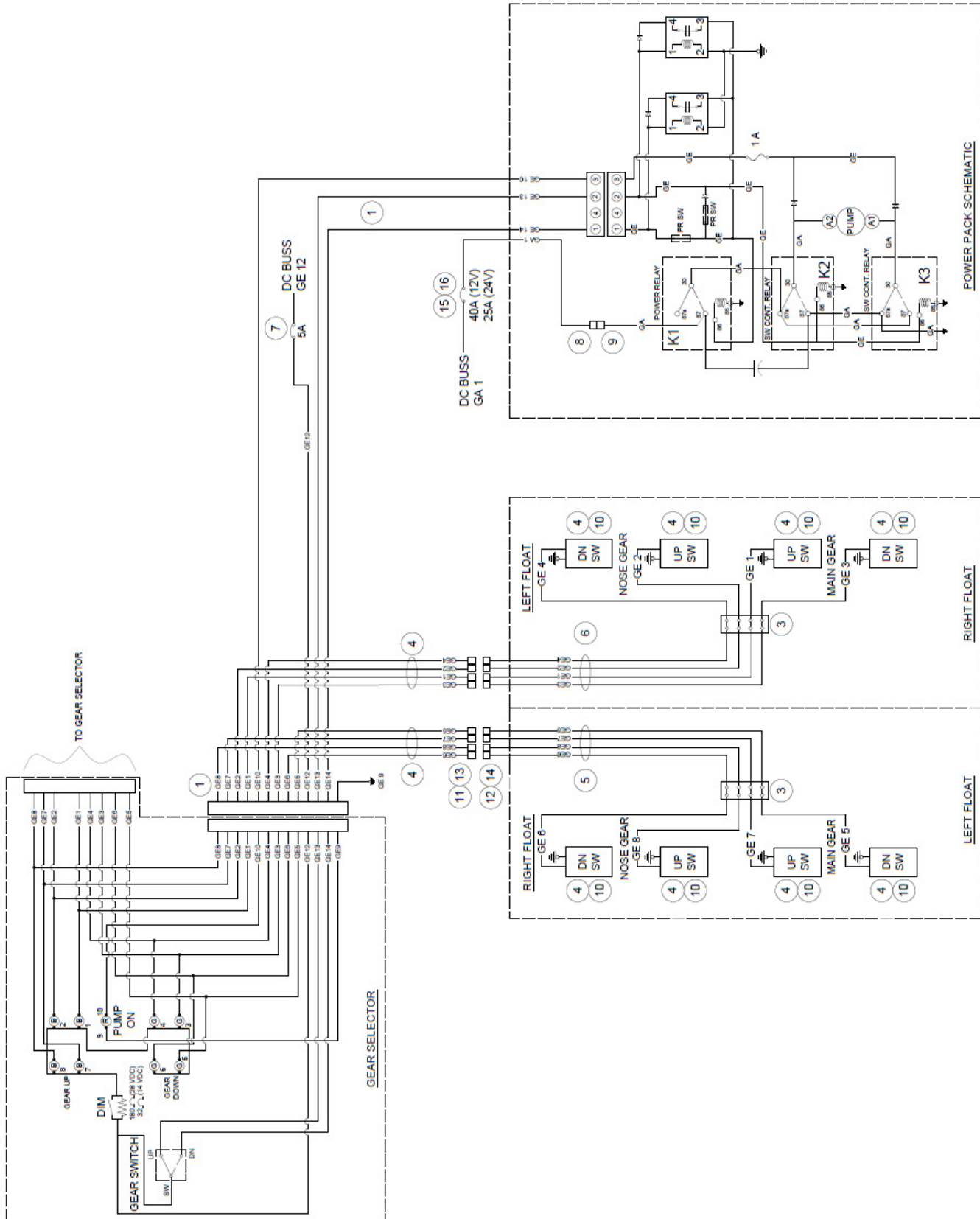
SECTION 11

ELECTRICAL

CONTENTS

| | |
|---|-----|
| ELECTRICAL SCHEMATIC POST SERVICE LETTER 230..... | 130 |
| ELECTRICAL SCHEMATIC PRE SERVICE LETTER 230 | 132 |
| GEAR CONTROL (ROUND) | 134 |
| GEAR CONTROL (RECTANGLE) | 136 |

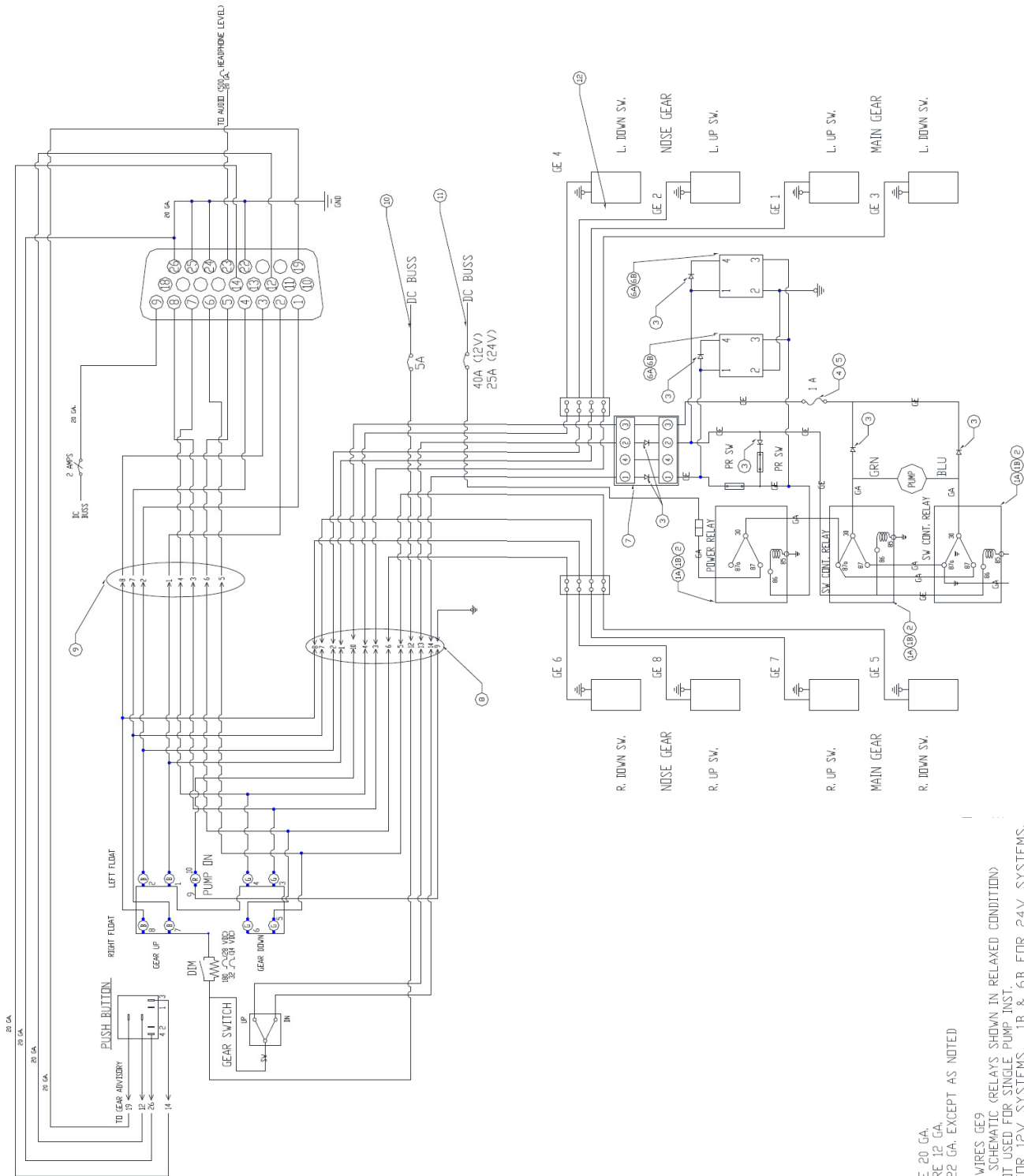
ELECTRICAL SCHEMATIC POST SERVICE LETTER 230



PARTS MANUAL
3450 FLOATS ON CESSNA 185

| ITEM | QTY | PART NO. | PART DESCRIPTION |
|------|-----|---------------|---|
| 1 | 1 | 4A11000-011 | ASSEMBLY, GEAR SELECTOR WIRING HARNESS |
| 2 | 1 | 4A11000-014 | ASSEMBLY, WIRING HARNESS, GEAR ADVISORY |
| 3 | 2 | 4-140 | TERMINAL BLOCK, 4 POSITION |
| 4 | 8 | 5801 | GEAR POSITION SWITCH, PROXIMITY, MAGNETIC |
| 5 | 1 | 6A10000-004 | WIRE HARNESS, LEFT FLOAT |
| 6 | 1 | 6A10000-005 | WIRE HARNESS, RIGHT FLOAT |
| 7 | 1 | 7277-2-5 | CIRCUIT BREAKER, 5 AMP |
| 8 | 1 | 73F-250-32-NL | CONNECTOR, FEMALE, 12-10 AWG |
| 9 | 1 | 73M-250-32-NL | CONNECTOR, MALE, 12-10 AWG |
| 10 | 8 | 21A09005-262 | CLIP, GEAR POSITION SWITCH HOLDER |
| 11 | 8 | S1635-1 | PIN |
| 12 | 8 | S1636-1 | SOCKET |
| 13 | 8 | S1637-1 | HOUSING |
| 14 | 8 | S1637-2 | HOUSING |
| 15 | 1 | W23-X1A1G-25 | CIRCUIT BREAKER, 25 AMP, 24VDC |
| 16 | 1 | W23-X1A1G-40 | CIRCUIT BREAKER, 40 AMP, 12VDC |

ELECTRICAL SCHEMATIC PRE SERVICE LETTER 230

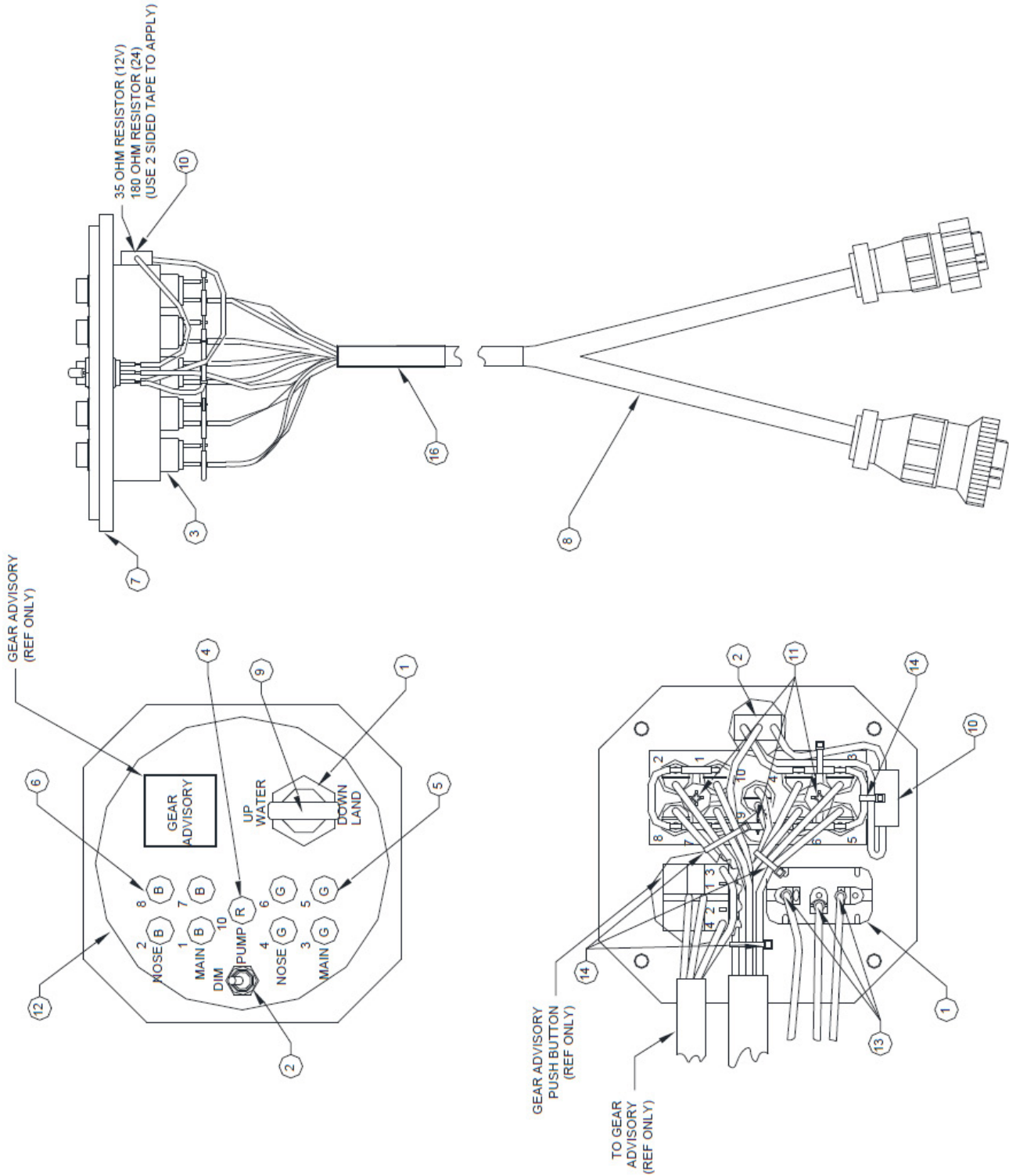


- NOTES:
1. GE WIRES ARE 20 GA.
GA WIRES ARE 12 GA.
ALL WIRES 22 GA. EXCEPT AS NOTED
 2. ALL GROUND WIRES GE 9
 3. PUMP WIRING SCHEMATIC (RELAYS SHOWN IN RELAXED CONDITION)
 4. ONE GE 11 NOT USED FOR SINGLE PUMP INST.
 5. 1A & 6A FOR 12V SYSTEMS, 1B & 6B FOR 24V SYSTEMS.
ALL WIRES TO MEET MIL-W-5086 SPECIFICATION

PARTS MANUAL
3450 FLOATS ON CESSNA 185

| ITEM | QTY | PART NO. | PART DESCRIPTION |
|------|-----|---------------|-------------------------------|
| 1A | 3 | 0-332-209-211 | RELAY 12V |
| 1B | 3 | 0-332-209-137 | RELAY 24V |
| 2 | 3 | BR05FW | RELAY SOCKET |
| 3 | 7 | 1N4004 | DIODE |
| 4 | 1 | AGC-1 | FUSE 1 AMP |
| 5 | 1 | 3453LF2A | FUSE HOLDER |
| 6A | 1 | 1005042 | ASSEMBLY, TIMER RELAY 12V |
| 6B | 2 | 1005043 | ASSEMBLY, TIMER RELAY 24V |
| 7 | 1 | 1004949 | DIODE CABLE ADAPTOR |
| 8 | 1 | 4A11000-014 | WIRE HARNESS |
| 9 | 1 | 4A11000-012 | WIRE HARNESS |
| 10 | 1 | 5 AMP | CIRCUIT BREAKER |
| 11 | 1 | 40 AMP | CIRCUIT BREAKER (12V) |
| | 1 | 25 AMP | CIRCUIT BREAKER (24V) |
| 12 | 8 | 5801 | SWITCH – PROXIMITY - MAGNETIC |
| | 8 | 21A09005-262 | CLIP – SWITCH HOLDER |

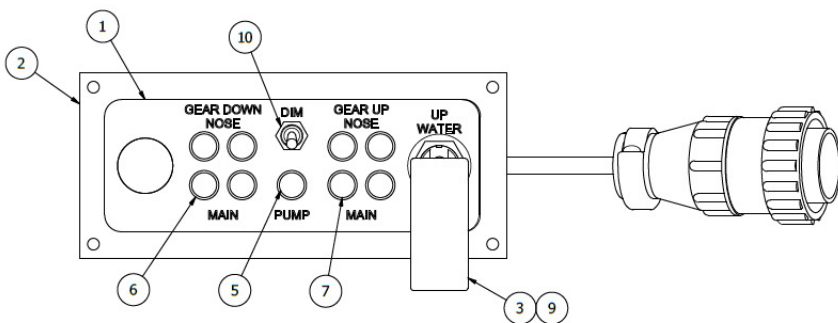
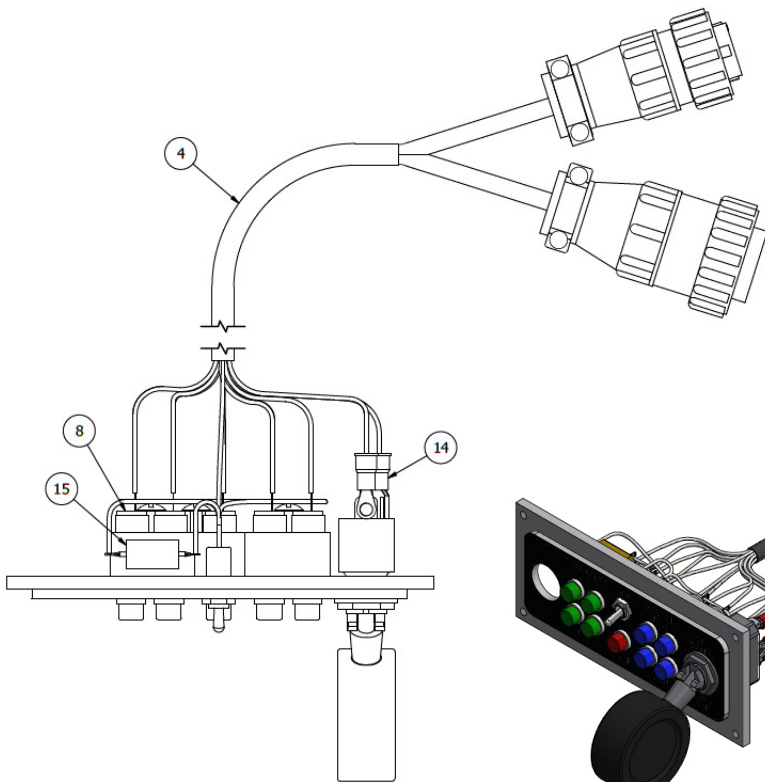
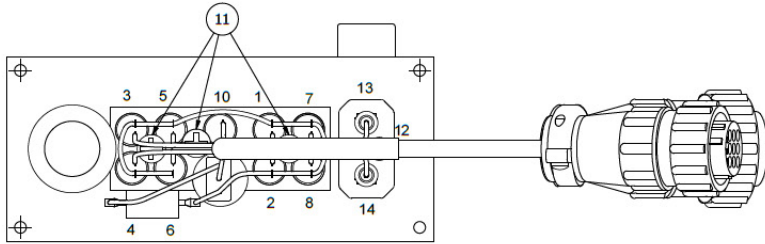
GEAR CONTROL (ROUND)



PARTS MANUAL
3450 FLOATS ON CESSNA 185

| ITEM | QTY | PART NO. | PART DESCRIPTION |
|------|-------|--------------------|----------------------------------|
| - | 1 | 21A11000-009 | GEAR SELECTOR ASSY. ROUND (12V) |
| - | 1 | 21A11000-019 | GEAR SELECTOR ASSY. ROUND (24V) |
| 1 | 1 | 8857K44 | SWITCH |
| 2 | 1 | A101SYCB | TOGGLE SWITCH, SPDT, ON-ON |
| 3 | 9 | 515-0012 | SOCKET |
| 4 | 1 | 507-3914-1431-600F | INDICATOR LAMP, 14V, RED |
| | 1 | 507-3918-1431-600F | INDICATOR LAMP, 28V, RED |
| 5 | 4 | 507-3914-1432-600F | INDICATOR LAMP, 14V, GREEN |
| | 4 | 507-3918-1432-600F | INDICATOR LAMP, 28V, GREEN |
| 6 | 4 | 507-3914-1434-600F | INDICATOR LAMP, 14V, BLUE |
| | 4 | 507-3918-1434-600F | INDICATOR LAMP, 28V, BLUE |
| 7 | 1 | 21A11179-001 | BLOCK, GEAR CONTROL |
| 8 | 1 | 4A11000-008 | HARNESS ASSEMBLY, GEAR SELECTOR |
| 9 | 1 | 21A11259-003 | GEAR SWITCH KNOB |
| 10 | 1 | RH-5-35 | RESISTOR, 14V, DALE RH5 5W |
| | 1 | RH-5-180 | RESISTOR, 28V, DALE RH5 5W |
| 11 | 3 | AN526-632R8 | SCREW, TRUSS HEAD, 6-32 |
| 12 | 1 | 10B3-6202 | PLACARD, ROUND2100 GEAR SELECTOR |
| 13 | 3 | R-3 | RING CONNECTOR, #6, 20 AWG, RED |
| 14 | 5 | PLT1M-M | CABLE TIE |
| 15 | 16 IN | HIXR-3/16 | SHRINK WRAP, 3/16, WHITE |
| 16 | 3 IN | HS105-1/2-0 | HEAT SHRINK TUBING |
| 17 | 6 IN | 22759-16-20-9 | WIRE, 20AWG, WHITE |

GEAR CONTROL (RECTANGLE)



PARTS MANUAL
3450 FLOATS ON CESSNA 185

| ITEM | QTY | PART NO. | PART DESCRIPTION |
|------|-----|--------------------|---|
| - | 1 | 21A11000-010 | ASSEMBLY, INDICATOR, GEAR CONTROL, SQUARE, 12V |
| - | 1 | 21A11000-018 | ASSEMBLY, INDICATOR, GEAR CONTROL, SQUARE, 24V |
| 1 | 1 | 10B3-6277 | PLACARD, GEAR CONTROL SQUARE |
| 2 | 1 | 21A11179-002 | BLOCK GEAR CONTROL SQUARE |
| 3 | 1 | 21A11259-003 | GEAR SWITCH KNOB |
| 4 | 1 | 4A11000-008 | WIRING HARNESS ASSY. SELECTOR |
| 5 | 1 | 507-3914-1431-600F | LAMP LIGHT, RED 14V |
| | 1 | 507-3918-1431-600F | LAMP, LIGHT, RED, 28V |
| 6 | 4 | 507-3914-1432-600F | LAMP LIGHT, GREEN 14V |
| | 4 | 507-3918-1432-600F | LAMP, LIGHT, GREEN, 28V |
| 7 | 4 | 507-3914-1434-600F | LAMP LIGHT, BLUE, 14V |
| | 4 | 507-3918-1434-600F | LAMP, LIGHT, BLUE, 28V |
| 8 | 9 | 515-0012 | SOCKET |
| 9 | 1 | 8857K44 | SWITCH |
| 10 | 1 | A101SYCB | TOGGLE SWITCH |
| 11 | 3 | AN526C632R8 | SCREW, TRUSS HEAD MACHINE, 6-32 THREAD, 1/2" LENGTH |
| 12 | 12" | HS105-3/32-0 | HEAT SHRINK, TUBING - BLACK |
| 13 | 8 | PLT1M-M | CABLE TIE, NYLON, WHITE, 4" (SMALL) |
| 14 | 3 | R-3 | TERMINAL, RING #6 STUD, 16-22 AWG, RED |
| 15 | 1 | RH-5-35 | RESISTOR, 14V, DALE RH5 5W |
| | 1 | RH-5-180 | RESISTOR, 28V, DALE RH5 5W |