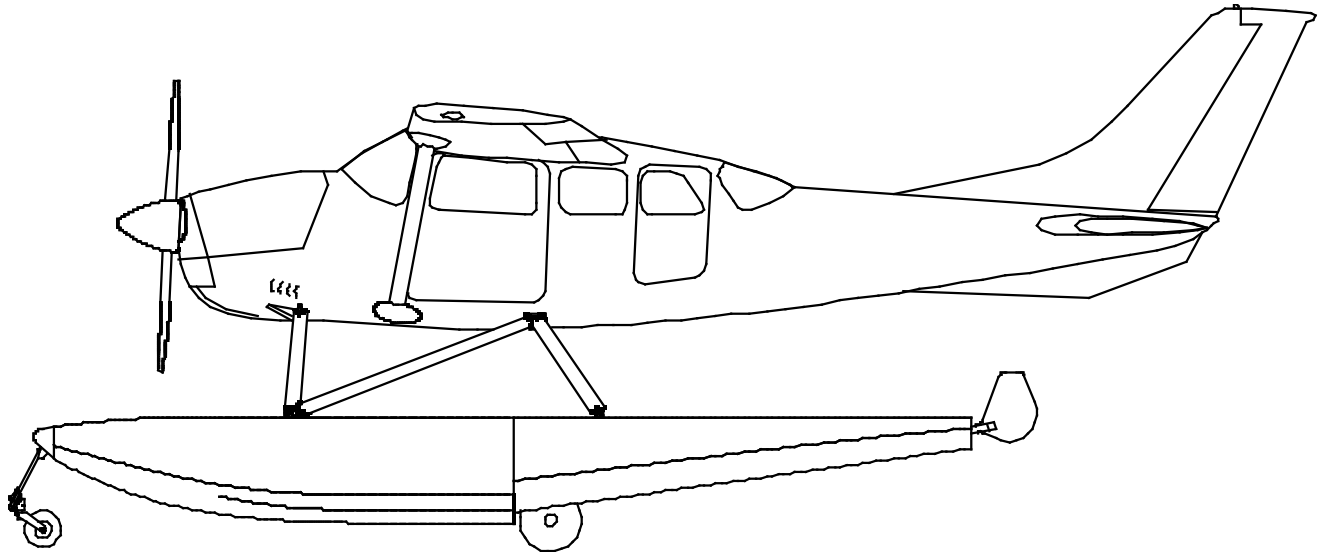




WIPLINE FLOATS • SKIS • MODIFICATIONS • AIRCRAFT SALES
AVIONICS • INTERIOR • MAINTENANCE • PAINT REFINISHING



**PARTS MANUAL
FOR
WIPLINE MODEL 3730 & 3900 FLOATS
ON
CESSNA 185 & 206 SERIES**

Revision L

1700 Henry Ave. - Fleming Field (KSGS), South St. Paul, MN 55075
Ph: 651.451.1205 Fax: 651.457.7858
www.wipaire.com

THIS PAGE INTENTIONALLY LEFT BLANK

LOG OF REVISIONS

Revision	Pages Affected	Description	Date
A	79	Part numbers changed.	1/11/2006
B & C	Title, Footers	Title page and footers changed.	10/31/2008
D	All	Reformatted entire manual, update to Part Sales Dept. page, added new warranty and customer information, added Grove Nose Wheel. Removed Warranty Claim Form.	7/10/2015
E	11, 27, 29, 37, 41, 53, 55, 68, 77, 85, 96	Changed Screw-Angle to Bumper Attach AN526-1032-14 to AN526-1032R14 and changed Nut-Bumper-Attach AN365-1032 to MS21044N3 in Float Hull Assembly. Removed Wire AN676AC-59.75 and AN676AC-55.75 from Installation Struts 185 section. Changed Nut AN365-428 to MS21044N4 and Washer AN960PD416 to NAS1149D0416J in Spreader Bar Installation section. Updated part numbers in Main Gear Oleo Section. Updated jam nut from 1/4 20 to MS35649-2252. Changed Screw MS24694S-145 to MS24694S145 and changed Screw AN526C1032-6 to AN526C1032R6 and changed Washer AN960PD616 to NAS1149D0616J in Nose Gear Retractor Assembly. Changed Clevis Pin AN392-2C11 to MS20392-2C11 and changed Washer AN960PD10 to NAS1149D0316P in Water Rudder Blade Installation. Changed Pulley MS20219-2B to MS20219-2 in Cable System. Changed Washer AN936-A10 to MS35333-39 in Hydraulic Pump Installation. Changed Washer AN960PD10 to NAS1149D0363J and changed Nut AN365-428 to MS21044N4 and changed Washer AN960PD716 to NAS1149D0763J in Hydraulic Pump Installation. Removed page 96 Base Shock Strut Cylinder Chart.	10/17/2019
F	12, 95	Changed Skin Bottom Right 3A01158-044 to 3A01151-028. Changed Skin Bottom Left 3A01158-043 to 3A01151-029. Added note about gear selector decal and added P/N 2A3-194 for cockpit placard.	1/9/2020
G	All	Updated manual in new software and changed formatting. Removed new customer information form. Created new sections. Added note about nose and main gear tire/tube. Changed Bearing 08215 to 08125. Changed Clip, Switch, Nose & Main 3A07002-027 to 3A07005-178 in Nose Gear Retraction Assembly section. Added Note about Wipaire drawing 1011065 in Hydraulic Pump Assembly.	6/10/2021
H	All	Combined Nose Gear section with Main Gear section to form new Landing Gear section. Changed Bushing 3A025311-001 to 3A02531-001 and changed Bearing COMM.10 to COM10 in Cessna 185 Struts Installation section.	2/3/2022
J	43, 55	Changed 010-026 Seal to 471570 Seal, Timken. Changed 161-04100 Inner Wheel Half and 162-03900 Outer Wheel Half to N/A as they are not sold separately.	7/19/2022
K	95	Corrected bulb part numbers in gear control indicator assembly.	9/23/2024
L	44, 63	Changed nut 3A04092-001 to 3A04268-003 in Main Gear Wheel and Brake Assembly section. Updated parts list in Water Rudder Blade Installation section.	1/31/2025

View most current version of parts manual at www.wipaire.com.

THIS PAGE INTENTIONALLY LEFT BLANK

TABLE OF CONTENTS

FLOAT PART SALES DEPARTMENT OPERATIONS	6
INTRODUCTION	7
SECTION 1 HULL BULKHEAD ASSEMBLIES.....	9
SECTION 2 SKINS	15
SECTION 3 TOP DECK.....	19
SECTION 4 MISCELLANEOUS HULL PARTS.....	23
SECTION 5 EXTRUSIONS	27
SECTION 6 STRUTS & SPREADER BAR	31
SECTION 7 LANDING GEAR	41
SECTION 8 WATER RUDDER, STEERING & RETRACT CABLES.....	61
SECTION 9 HYDRAULICS	75
SECTION 10 ELECTRICAL	93
SECTION 11 PLACARDS AND DECALS.....	99

FLOAT PART SALES DEPARTMENT OPERATIONS

Parts Sales:

Wipaire, Inc.

1700 Henry Avenue – Fleming Field

South St. Paul, MN 55075

Telephone: (651) 306-0459

Fax: (651)-306-0666

Website: www.wipaire.com

Email: customerservice@wipaire.com

Note: Any information not found in this manual for strut package parts and other installation items refer to the installation drawing package provided with the STC at the time of float installation. Additional drawing copies are available for purchase through the Wipaire Customer Service Department.

Parts Ordering

Purchase orders should include:

1. Purchase order number
2. Name of person placing order
3. Invoicing information:
 - a. Customer name - company or individual
 - b. Address
 - c. Phone and fax number
4. Shipping information:
 - a. Address (if different from invoice address)
 - b. Method of shipment/preferred carrier
5. Aircraft model, float model, and serial numbers
6. Wipaire part number; name; type, e.g. left or right; quantity
7. Payment method: VISA, MasterCard, C.O.D. (Collect on Delivery) (U.S. customers only), pre-payment by check or wire transfer, open account (see Credit Policy)

INTRODUCTION

All references in this manual to LEFT and RIGHT are from the perspective of the pilot's seat with the floats fully installed and ready for floatplane operation.

The following is a list of abbreviations that may appear in the description nomenclature fields of this manual:

AB	Afterbody	Inbd.	Inboard
Amphib.	Amphibious	Lg.	Large
AR	As Required	Lt.	Left
Assy.	Assembly	Lwr.	Lower
Brkt.	Bracket	Opt.	Optional
Btm.	Bottom	Otbd.	Outboard
Bulk.	Bulkhead	Reinf.	Reinforcement
Ctr.	Center	Rr.	Rear
Cyl.	Cylinder	Rt.	Right
Ft.	Front	Sm.	Small
Ftg.	Fitting	SN	Serial Number
Fus.	Fuselage	Spr.	Spreader
Fwd	Forward	Upr.	Upper
Horiz.	Horizontal	Vert.	Vertical
Hyd.	Hydraulic	W.W.	Wheel Well

USING THIS PARTS MANUAL

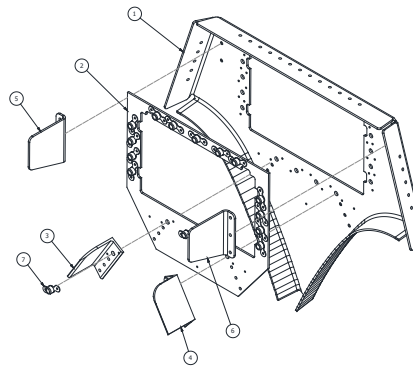
COVERAGE

Parts information is provided in this manual for the hulls and all "deck down" parts. For information on strut package parts and other aircraft installation items, refer to the installation drawing package provided with the STC at the time of float installation. Additional drawing copies are available for purchase through Wipaire Customer Service Department.

Name of main part in the section. Example: This part is showing the components made up in Bulkhead #1.

BULKHEAD #1

Main part image. If the image has numbers associated with it, then those numbers are item numbers shown in the table below.



Items with a (-) instead of a number represent the main part as an assembly. Other parts represent the parts included in the assembly.

ITEM	QTY	PART NO.	PART DESCRIPTION
-	1	1008815	ASSEMBLY BULKHEAD #1, 10000
1	1	1008797	PANEL, BULKHEAD #1
2	1	13A01156-085	DOUBLER #1 BULKHEAD
3	1	13A01357-049	CLEAT, SISTER KEEL ATTACH #1 BULKHEAD
4	1	13A01357-050	CLEAT, SISTER KEEL ATTACH #1 BULKHEAD
5	1	6A01156-054	ANGLE – TOP RAIL
6	1	6A01156-055	ANGLE – TOP RAIL
7	17	MS21047L4	NUT PLATE, SELF LOCKING

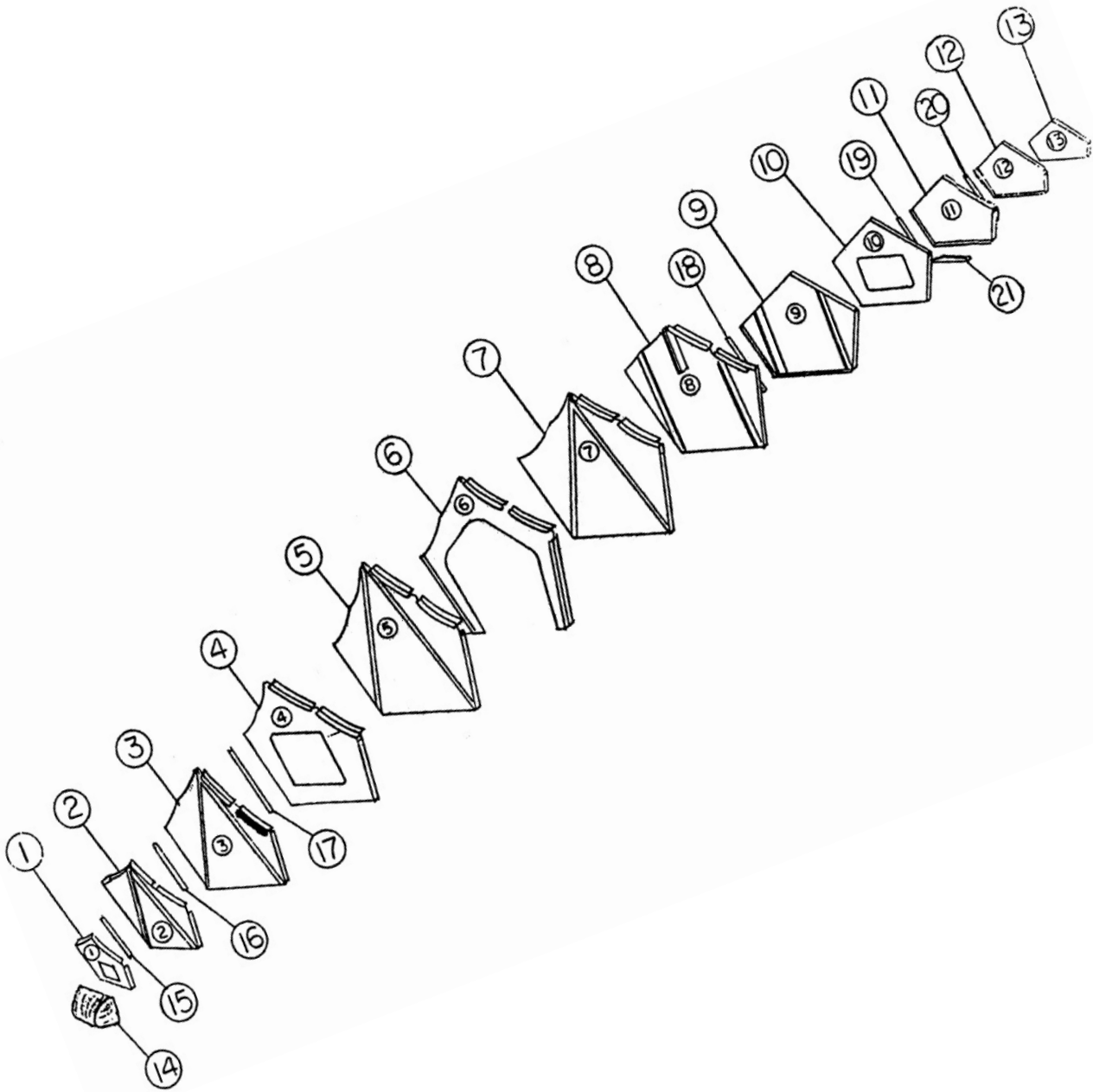
To order an individual part, order the part number associated with item number.

SECTION 1 HULL BULKHEAD ASSEMBLIES

CONTENTS

HULL BULKHEAD ASSEMBLIES10

HULL BULKHEAD ASSEMBLIES



PARTS MANUAL
WIPLINE 3730 & 3900 FLOATS ON CESSNA 185 & 206 SERIES

ITEM	QTY	PART NO.	PART DESCRIPTION
-	1	3A01000-001	ASSEMBLY-LEFT FLOAT HULL-AMPHIB
-	1	3A01000-002	ASSEMBLY-RIGHT FLOAT HULL-AMPHIB
-	1	3S01000-117	ASSEMBLY-LEFT FLOAT HULL-SEAPLANE
-	1	3S01000-116	ASSEMBLY-RIGHT FLOAT HULL-SEAPLANE
1	1	3A01156-001	BULKHEAD-STATION #1 AMPHIB NOSE BULK
	1	3S01156-002	BULKHEAD-STATION #1 SEAPLANE
	1	3A01156-004	STRIP-FILLER TOP
	2	3A01156-003	STRIP-FILLER BOTTOM
	2	3A01156-005	STRIP-FILLER SIDE
2	1	3A01151-063	BULKHEAD-STATION #2 BODY # BULKHEAD
	1	3A01340-002	ANGLE-KEEL ATTACH RIGHT
	1	3A01340-001	ANGLE-KEEL ATTACH LEFT
	2	6A01359-001	ANGLE-SISTER KEEL ATTACH
	1	3A01005-005	DOUBLER-RETRACTOR
	1	3A01002-002	FILLER-STRIP-TOP
3	1	3A01151-064	BULKHEAD STATION #3 BODY # BULKHEAD
	1	3A01151-011	FLANGE "A" BOTTOM (SOLD IN SETS OF 4 ONLY)
	1	3A01151-013	FLANGE "B" BOTTOM (SOLD IN SETS OF 4 ONLY)
	1	3A01151-012	FLANGE "C" BOTTOM (SOLD IN SETS OF 4 ONLY)
	1	3A01151-014	FLANGE "D" BOTTOM (SOLD IN SETS OF 4 ONLY)
	1	3A01340-004	ANGLE-KEEL-ATTACH-RIGHT
	1	3A01340-003	ANGLE-KEEL ATTACH LEFT
	1	6A01359-002	ANGLE-SISTER KEEL ATTACH RIGHT
	1	6A01359-003	ANGLE-SISTER KEEL ATTACH LEFT
4	1	3A01151-065	BULKHEAD-STATION #4 BODY # 5.6 BULKHEAD
	1	3A01151-015	FLANGE "A" BOTTOM (SOLD IN SETS OF 4 ONLY)
	1	3A01151-017	FLANGE "B" BOTTOM (SOLD IN SETS OF 4 ONLY)
	1	3A01151-016	FLANGE "C" BOTTOM (SOLD IN SETS OF 4 ONLY)
	1	3A01151-018	FLANGE "D" BOTTOM (SOLD IN SETS OF 4 ONLY)
	1	3A01339-001	ANGLE-VERTICAL SUPPORT-LEFT
	1	3A01339-002	ANGLE-VERTICAL SUPPORT-RIGHT
	1	3A01339-003	ANGLE-HORIZONTAL SUPPORT
	1	3A01340-009	ANGLE-KEEL ATTACH-LEFT
	1	3A01340-010	ANGLE-KEEL ATTACH-RIGHT
	1	3A01339-005	ANGLE-SISTER KEEL ATTACH-LEFT
	1	3A01339-004	ANGLE-SISTER KEEL ATTACH-RIGHT
5	1	3A01151-066	BULKHEAD #5 BODY #6.5 BULKHEAD
	1	3A01151-019	FLANGE "A" BOTTOM (SOLD IN SETS OF 4 ONLY)
	1	3A01151-021	FLANGE "B" BOTTOM (SOLD IN SETS OF 4 ONLY)
	1	3A01151-020	FLANGE "C" BOTTOM (SOLD IN SETS OF 4 ONLY)
	1	3A01151-022	FLANGE "D" BOTTOM (SOLD IN SETS OF 4 ONLY)

ITEM	QTY	PART NO.	PART DESCRIPTION
	1	3A01339-007	ANGLE-VERTICAL SUPPORT LEFT
	1	3A01339-006	ANGLE-VERTICAL SUPPORT RIGHT
	1	3A01340-005	ANGLE-KEEL ATTACH LEFT
	1	3A01340-006	ANGLE-KEEL ATTACH RIGHT
	1	3A01339-009	ANGLE-SISTER KEEL ATTACH LEFT
	1	3A01339-008	ANGLE-SISTER KEEL ATTACH RIGHT
6	1	3A01151-073	ASSEMBLY #6 BULKHEAD #7.5 OR FALSE BULKHEAD
	1	3A01005-003	BULKHEAD SIDE LEFT
	1	3A01005-002	BULKHEAD SIDE RIGHT
	2	3A01002-006	BULKHEAD BOTTOM FLANGE
	1	3A01340-011	ANGLE-KEEL ATTACH LEFT
	1	3A01340-012	ANGLE-KEEL ATTACH RIGHT
	2	6A01359-004	ANGLE-SISTER KEEL ATTACH
7	1	3A01151-067	BULKHEAD #7 BODY # 8.5 BULKHEAD
	1	3A01340-007	ANGLE-KEEL SUPPORT LEFT
	1	3A01340-008	ANGLE-KEEL SUPPORT RIGHT
	1	3A01151-023	FLANGE "A" BOTTOM (SOLD IN SETS OF 4 ONLY)
	1	3A01151-025	FLANGE "B" BOTTOM (SOLD IN SETS OF 4 ONLY)
	1	3A01151-024	FLANGE "C" BOTTOM (SOLD IN SETS OF 4 ONLY)
	1	3A01151-026	FLANGE "D" BOTTOM (SOLD IN SETS OF 4 ONLY)
	1	3A01339-010	ANGLE-PUMP ATTACH UPPER
	1	3A01357-027	ANGLE-PUMP ATTACH LOWER
	1	6A01359-003	ANGLE-SISTER KEEL ATTACH LEFT
	1	6A01359-002	ANGLE-SISTER KEEL ATTACH RIGHT
8	1	3A01151-068	BULKHEAD #8 BODY (STEP)
	1	3A01151-071	DOUBLER-BOTTOM FLANGE (AMPHIBIAN)
	1	3A01357-029	ANGLE-VERTICAL SUPPORT LEFT
	1	3A01357-028	ANGLE-VERTICAL SUPPORT RIGHT
	1	3A01339-011	ANGLE-MAIN KEEL ATTACH LEFT
	1	3A01339-012	ANGLE-MAIN KEEL ATTACH RIGHT
	1	3A01339-013	ANGLE-SISTER KEEL ATTACH LEFT
	1	3A01339-014	ANGLE-SISTER KEEL ATTACH RIGHT
	1	3S01339-015	ANGLE-HORIZONTAL SUPPORT (SEAPLANE)
	1	3S01002-012	DOUBLER-BOTTOM FLANGE (SEAPLANE)
	1	3A01008-001	DOUBLER-BRAKELINE FITTING (AMPHIBIAN)
9	1	3A01002-013	BULKHEAD #9 BODY (AMPHIBIAN) #11.5 BULKHEAD
	1	3S01002-016	BULKHEAD #9 BODY (SEAPLANE)
	1	3A01339-017	ANGLE-VERTICAL SUPPORT LEFT
	1	3A01339-016	ANGLE-VERTICAL SUPPORT RIGHT
	2	3A01339-018	ANGLE-SISTER KEEL ATTACH
10	1	3A01002-014	BULKHEAD #10 BODY # 12.5 BULKHEAD

PARTS MANUAL
WIPLINE 3730 & 3900 FLOATS ON CESSNA 185 & 206 SERIES

ITEM	QTY	PART NO.	PART DESCRIPTION
	1	3A01339-019	ANGLE-VERTICAL SUPPORT LEFT
	1	3A01339-020	ANGLE-VERTICAL SUPPORT RIGHT
	2	3A01339-018	ANGLE-SISTER KEEL ATTACH
11	1	3A01002-015	BULKHEAD #11 BODY #15 BULKHEAD
	2	6A01359-004	ANGLE-SISTER KEEL ATTACH
12	1	3A01002-017	BULKHEAD #12 BODY #17 BULKHEAD
	2	6A01359-004	ANGLE-SISTER KEEL ATTACH
13	1	3A01002-018	BULKHEAD #13 BODY #19 BULKHEAD
	2	6A01359-004	ANGLE-SISTER KEEL ATTACH
	1	3A01437-001	CASTING-WATER RUDDER
14	1	3A01727-001	NOSE BUMPER (AMPHIBIAN)
	2	3A01359-005	ANGLE-BUMPER ATTACH
	8	AN526-832R8	SCREW-ANGLE TO BULKHEAD-ATTACH
	4	AN526-1032R14	SCREW-ANGLE TO BUMPER ATTACH
	1	3S01635-002	NOSE BUMPER (SEAPLANE)
	6	MS21044N3	NUT-BUMPER-ATTACH
15	2	3A01151-001	STIFFENER-SIDE SKIN
16	2	3A01151-002	STIFFENER-SIDE SKIN
17	2	3A01151-003	STIFFENER-SIDE SKIN
18	2	3A01151-004	STIFFENER-SIDE SKIN
19	2	3A01151-005	STIFFENER-SIDE SKIN-FORWARD
	2	3A01151-006	STIFFENER-SIDE SKIN-AFT
20	2	3A01151-007	STIFFENER-SIDE SKIN
21	1	3A01151-009	STIFFENER-TOP SKIN

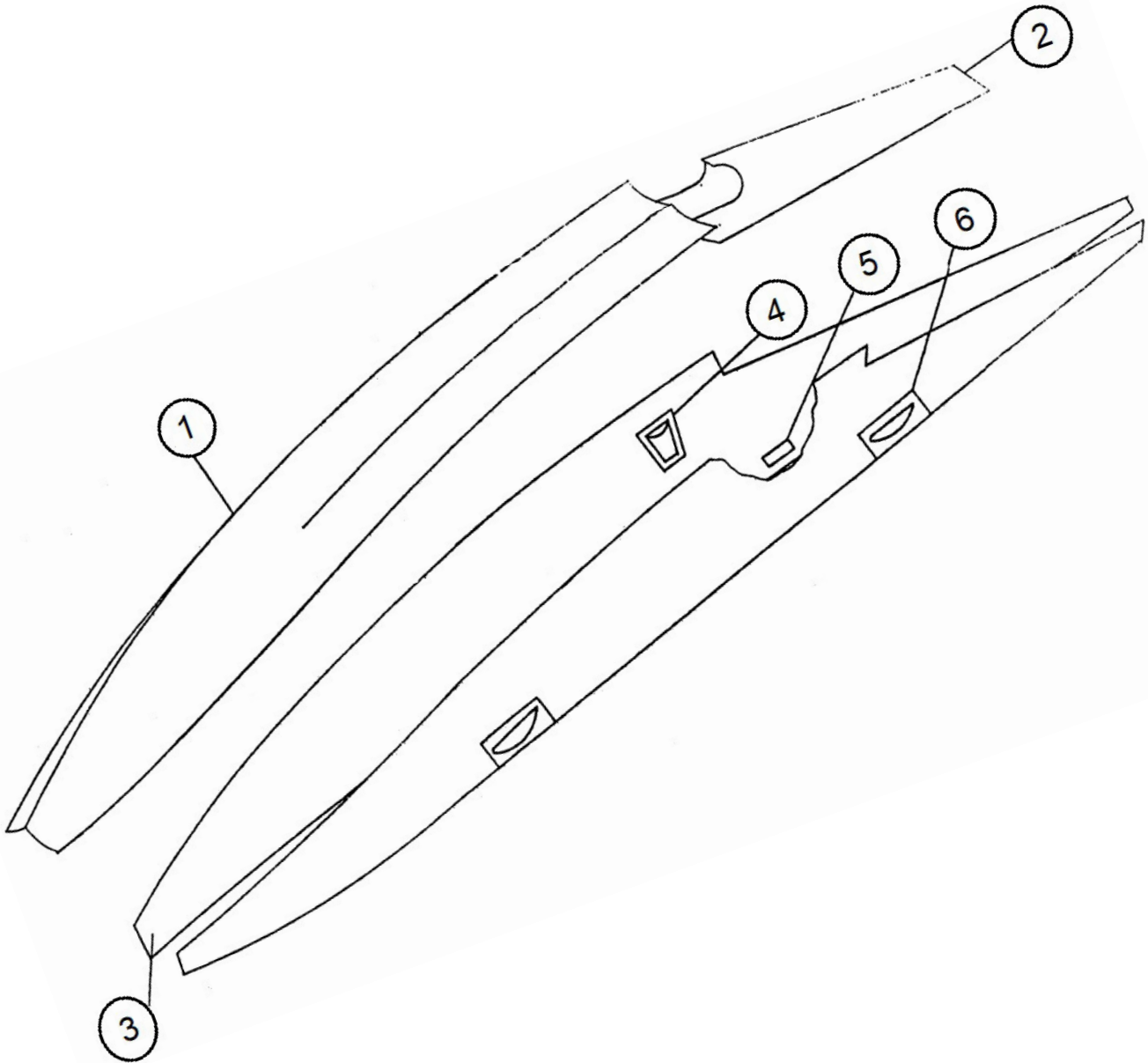
THIS PAGE INTENTIONALLY LEFT BLANK

SECTION 2 SKINS

CONTENTS

SIDE & BOTTOM SKINS	16
---------------------------	----

SIDE & BOTTOM SKINS



PARTS MANUAL
WIPLINE 3730 & 3900 FLOATS ON CESSNA 185 & 206 SERIES

ITEM	QTY	PART NO.	PART DESCRIPTION
1	1	3A01151-029	SKIN-BOTTOM LEFT
	1	3A01151-028	SKIN-BOTTOM RIGHT
2	1	3A01005-015	SKIN-AFTERBODY (AMPHIBIAN)
	1	3S01005-014	SKIN-AFTERBODY (SEAPLANE)
3	1	3A01005-008	SKIN-SIDE INBOARD RIGHT
	1	3A01005-009	SKIN-SIDE INBOARD LEFT
	1	3A01005-010	SKIN-SIDE OUTBOARD RIGHT
	1	3A01005-011	SKIN-SIDE OUTBOARD LEFT (AMPHIBIAN)
	1	3S01005-012	SKIN-SIDE OUTBOARD RIGHT (SEAPLANE)
	1	3S01005-013	SKIN-SIDE OUTBOARD LEFT (SEAPLANE)
4	1	3A01000-005	ASSEMBLY-STEP-BOARDING (AMPHIBIAN)
5	1	3A01002-022	COVER SPREADER BAR INSPECTION
	1	3A01156-007	REINFORCEMENT-SPREADER BAR COVER
	18	AN526-632R4	SCREW-COVER ATTACH
6	2	3A01002-023	PLATE-REINFORCEMENT SPREADER BAR

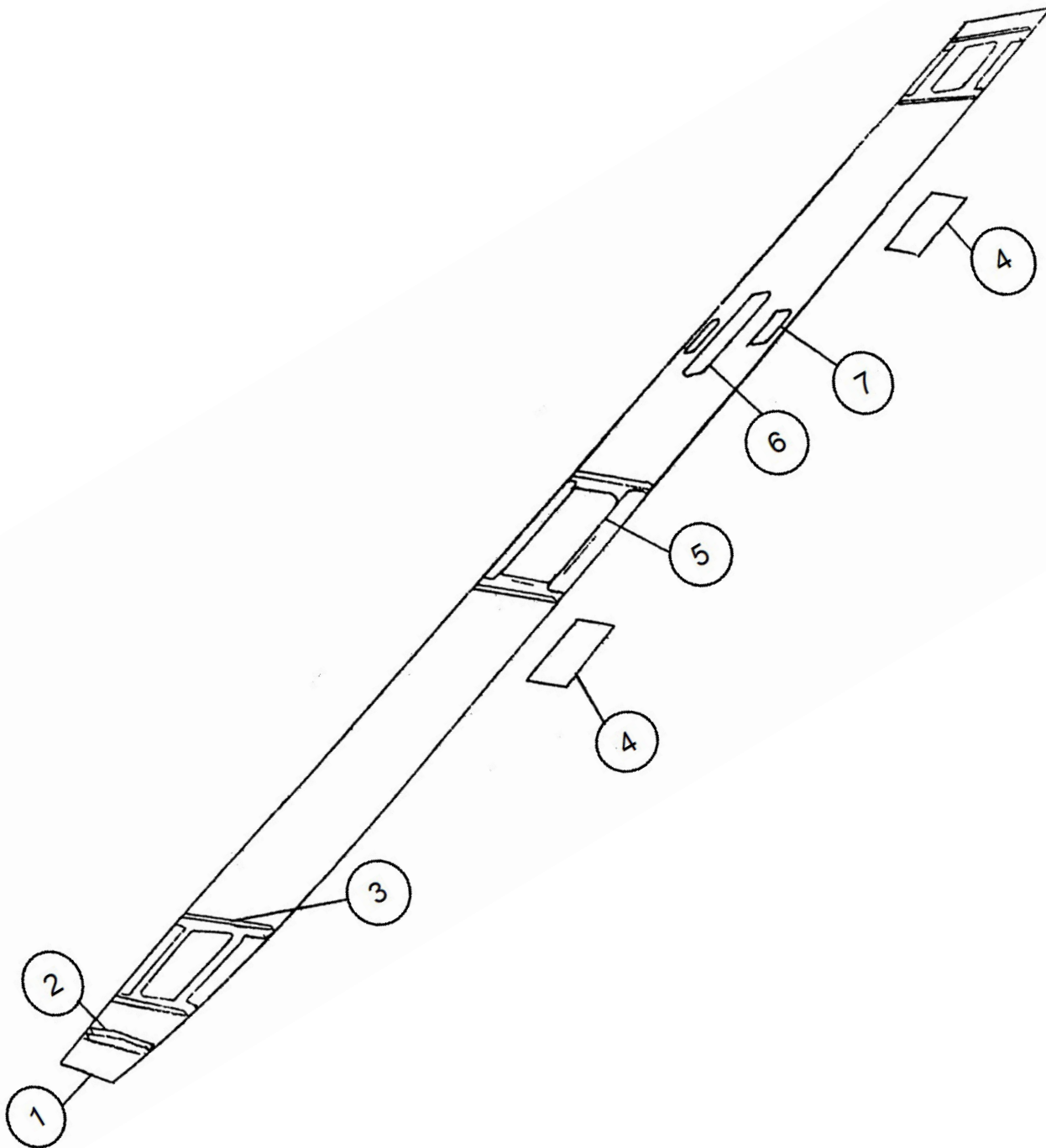
THIS PAGE INTENTIONALLY LEFT BLANK

SECTION 3 TOP DECK

CONTENTS

TOP DECK.....	20
---------------	----

TOP DECK



PARTS MANUAL
WIPLINE 3730 & 3900 FLOATS ON CESSNA 185 & 206 SERIES

ITEM	QTY	PART NO.	PART DESCRIPTION
1	1	3A01005-004	SKIN-TOP-RIGHT (AMPHIBIAN)
	1	3A01005-005	SKIN-TOP-LEFT (AMPHIBIAN)
	1	3S01005-006	SKIN-TOP-RIGHT (SEAPLANE)
	1	3S01005-007	SKIN-TOP-LEFT (SEAPLANE)
2	1	3A01151-008	STIFFENER-TOP SKIN
3	4	3A01000-269	COVER REINFORCEMENT FOR 8"X10" COVER NOTE: TRIM & DRILL FROM FLOAT
	6	9A3-671	PLACENUT-TINNERMAN
	4	3A01000-021	INSPECTION COVER ASSEMBLY NOTE: SPECIFY IF NON-SKID TOP REQ'D
	12	8 X 3/4	SCREW COVER
	7	3A01567-008	COVER SEAL (FITS SM. AND LG.)
	3	3A01000-270	COVER REINFORCEMENT FOR 10"X12" COVER NOTE: TRIM & DRILL FROM FLOAT
	4	3A01008-004	DOUBLERS-PICK UP RIVETS
	8	9A3-671	PLACENUT-TINNERMAN
	3	3A01000-022	INSPECTION COVER ASSEMBLY NOTE: SPECIFY IF NON-SKID TOP REQ'D
	16	8 X 3/4	SCREW COVER
4	2	3A01008-003	DOUBLER-TOP SKIN STRUT ATTACH
5	1	3A01151-045	COVER-REINFORCEMENT-BAGGAGE NOTE: TRIM & DRILL FROM FLOAT
	4	3A01008-004	DOUBLER-PICK UP RIVETS
	1	1/4"RD	WEATHER SEAL BAGGAGE DOOR
	1	3A01002-007	GUSSET-BAGGAGE DOOR LOCK LEFT
	1	3A01002-008	GUSSET-BAGGAGE DOOR LOCK RIGHT
	1	3A01000-006	COVER-ASSEMBLY-BAGGAGE NOTE: SPECIFY IF NON-SKID REQ'D
	4	3A01206-001	LOCK-HOLDER
	4	3A01273-002	LOCK-KNOB
	4	3A01525-003	LOCK-SPRING
	4	3A01702-004	LOCK-PIN-STEEL
6	1	3A01008-002	COVER RETRACT-MAIN GEAR TOP SKIN NOTE: SPECIFY IF NON SKID REQ'D
	8	AN526-1032R6	SCREW-ATTACH
7	2	3A01002-021	COVER-WHEEL WELL-TOP SKIN NOTE: SPECIFY IF NON-SKID REQ'D
	2	3A01156-006	COVER-REINFORCEMENT
	18	AN526-632R4	SCREW-COVER ATTACH
8	1	3A01158-093	PADDLE BRACKET FORWARD (NOT SHOWN)
9	1	3A01503-001	PADDLE CLIP (NOT SHOWN)
10	1	6A01156-058	PADDLE STOP - RIGHT (NOT SHOWN)
11	1	6A01156-059	PADDLE STOP - LEFT (NOT SHOWN)

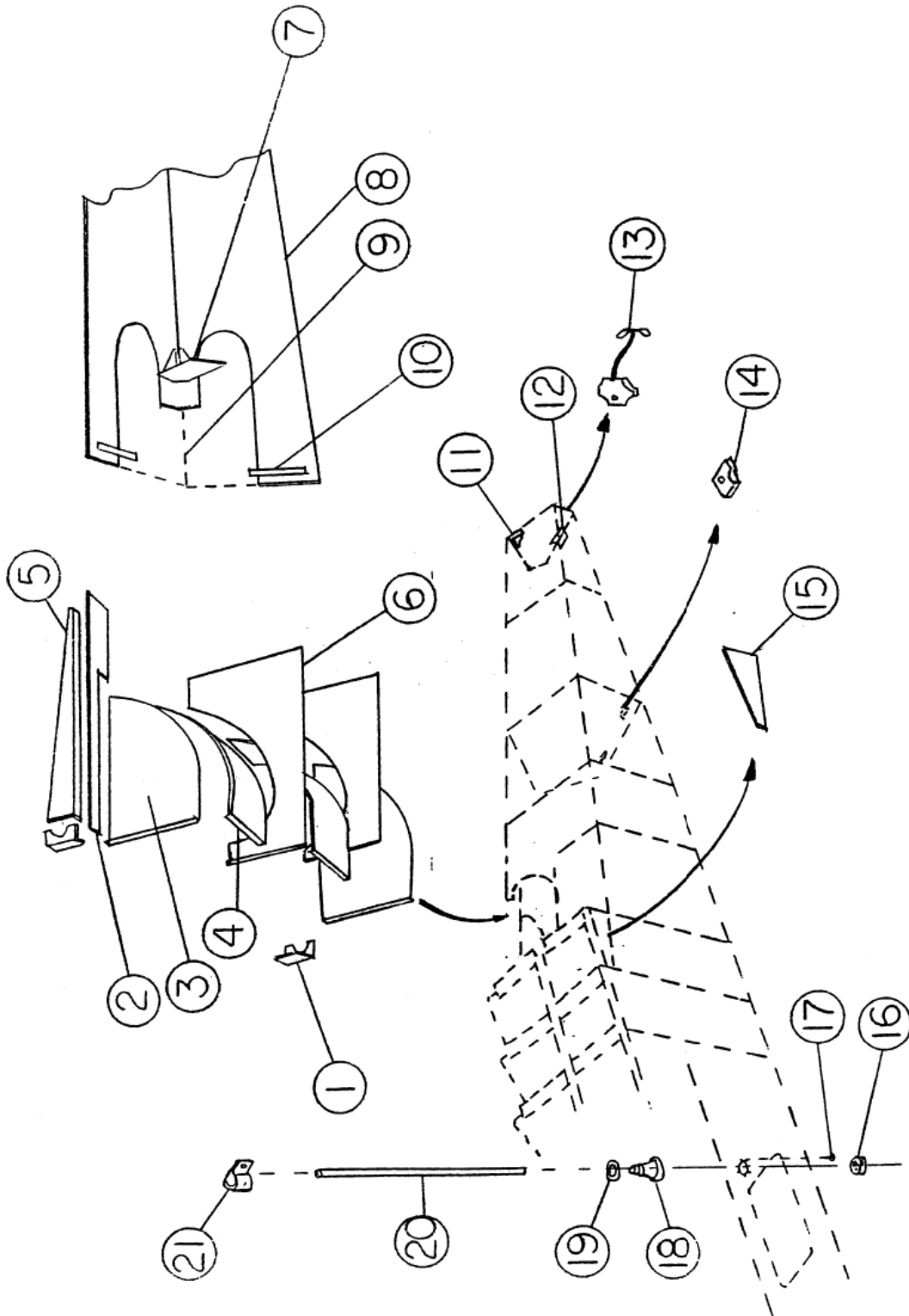
ITEM	QTY	PART NO.	PART DESCRIPTION
12	2	3A01058-001	TIE DOWN HANDLE (NOT SHOWN)
	4	AN3-11A	BOLT (NOT SHOWN)
	8	NAS1149DO363J	WASHER (NOT SHOWN)
	4	MS21044N3	NUT (NOT SHOWN)

SECTION 4 MISCELLANEOUS HULL PARTS

CONTENTS

MISCELLANEOUS HULL PARTS	24
--------------------------------	----

MISCELLANEOUS HULL PARTS



PARTS MANUAL
WIPLINE 3730 & 3900 FLOATS ON CESSNA 185 & 206 SERIES

ITEM	QTY	PART NO.	PART DESCRIPTION
1	1	3A01357-031	ANGLE-TRUNION ATTACH LEFT
	1	3A01357-030	ANGLE-TRUNION ATTACH RIGHT
2	2	3A01005-019	DOUBLER-CARRYTHRU STRAP
3	1	3A01005-018	SKIN-WHEELWELL SIDE RIGHT
	1	3A01005-017	SKIN-WHEELWELL SIDE LEFT
4	2	3A01005-016	SKIN-WHEELWELL TOP
5	1	3A01158-001	ANGLE-CARRYTHRU STRAP-LEFT
	1	3A01003-002	ANGLE-CARRYTHRU STRAP-RIGHT
6	1	3A01158-001	BULKHEAD-WHEELWELL-LEFT
	1	3A01158-002	BULKHEAD-WHEELWELL-RIGHT
7	1	3A01003-004	DOUBLER-INSIDE AFTERBODY SKIN
8	1	3A01158-043	AFTERBODY SKIN (AMPHIBIAN)
9	1	3S01158-044	AFTERBODY SKIN (SEAPLANE)
10	2	3A01002-025	STRIP REINFORCEMENT
11	1	3A01002-020	STIFFENER-BOTTOM SKIN (#13 BULKHEAD)
12	1	3A01002-019	STIFFENER-TOP SKIN (#13 BULKHEAD)
13	2	3A01000-004	ASSEMBLY-PULLEY BRACKET
14	2	3A01151-010	PULLEY BRACKET (#11 BULKHEAD)
15	2	3A01002-024	DOUBLER-SIDE SKIN AT TOP
16	9	3A01000-023	STOPPER ASSEMBLY-PUMPER CUP
17	8	AN470-AD4-5	RIVET (SOFT)
18	9	3A01650-002	CUP-PUMP OUT
	9	4A01749-001	OPTIONAL – SPUN ALUMINUM
19	9	3A01158-005	RING-REINFORCEMENT PUMP OUT CUP
20	1	3A01618-001	PUMPER TUBE (#1 NOSE)
	1	3A01618-002	PUMPER TUBE (#2)
	1	3A01618-003	PUMPER TUBE (#3)
	1	3A01618-004	PUMPER TUBE (#4)
	1	3A01618-005	PUMPER TUBE (#5)
	1	3A01618-006	PUMPER TUBE (#6) WHEELWELL RIGHT
	1	3A01618-007	PUMPER TUBE (#7) WHEELWELL LEFT
	1	3A01618-008	PUMPER TUBE (#8)
	1	3A01618-009	PUMPER TUBE (#9)
21	9	3A01158-003	CLAMP PUMP OUT TUBE
22	9	SNP-16	PLASTIC SNAP CLIP

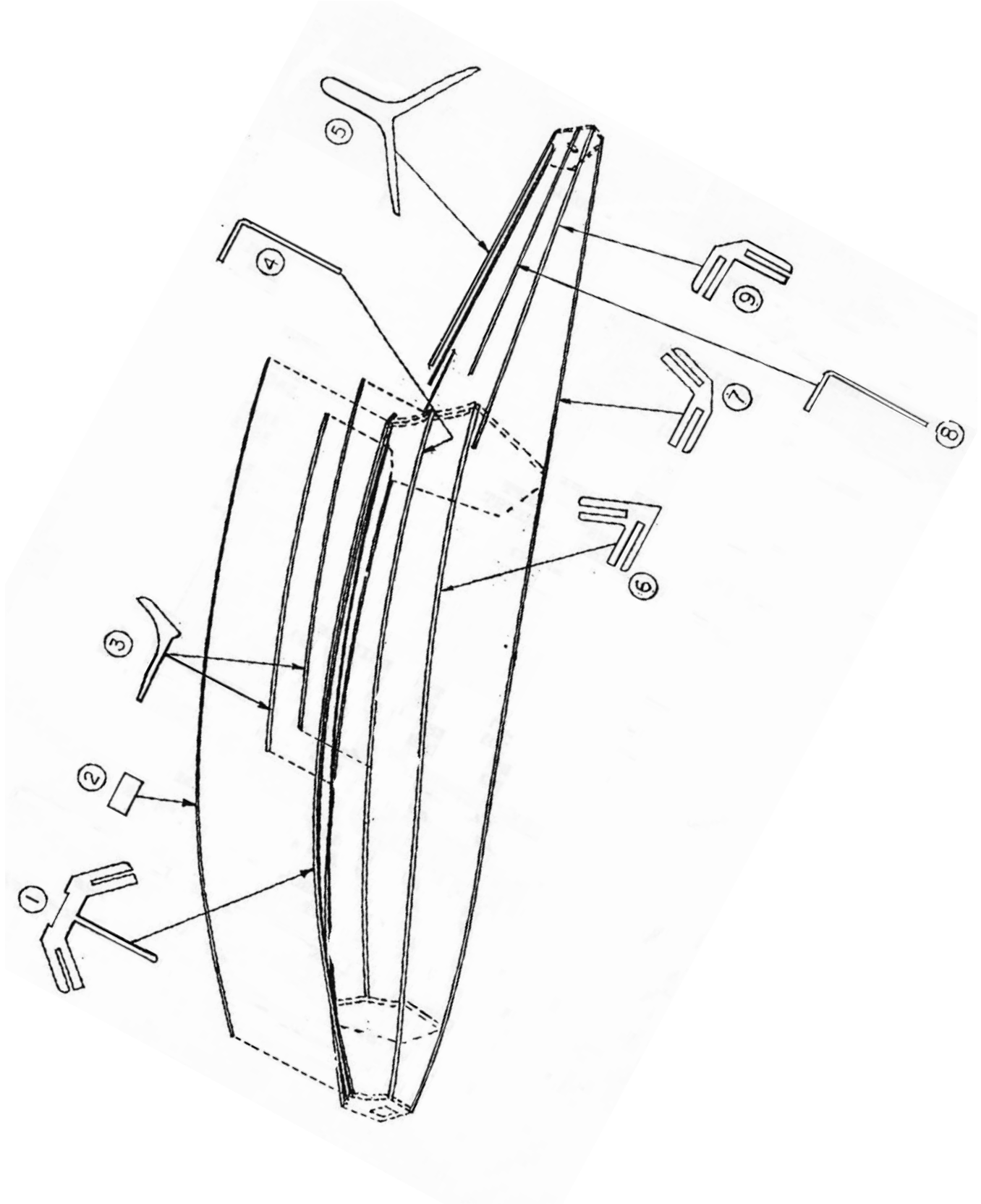
THIS PAGE INTENTIONALLY LEFT BLANK

SECTION 5 EXTRUSIONS

CONTENTS

HULL EXTRUSIONS.....	28
----------------------	----

HULL EXTRUSIONS



PARTS MANUAL
 WIPLINE 3730 & 3900 FLOATS ON CESSNA 185 & 206 SERIES

ITEM	QTY	PART NO.	PART DESCRIPTION
1	1	3A01354-001	KEEL MAIN (AMPHIBIAN)
	1	3A01354-002	KEEL MAIN (SEAPLANE)
2	1	3A01200-001	WEAR STRIP-KEEL
3	1	3A01342-001	SISTER KEEL-OUTSIDE-LEFT
	1	3A01342-002	SISTER KEEL-OUTSIDE-RIGHT
4	1	3A01339-021	SISTER KEEL ANGLE-INSIDE-LEFT
	1	3A01339-022	SISTER KEEL ANGLE-INSIDE-RIGHT
5	1	3A01347-001	KEEL-AFTERBODY (AMPHIBIAN)
	1	3S01347-002	KEEL-AFTERBODY (SEAPLANE)
6	1	3A01351-001	CHINE-FORWARD-LEFT
	1	3A01351-002	CHINE-FORWARD-RIGHT
7	1	3A01366-001	GUNWALL-LEFT
	1	3A01366-002	GUNWALL-RIGHT
8	1	3A01339-023	SISTER KEEL AFTERBODY-LEFT (AMPHIBIAN)
	1	3A01339-024	SISTER KEEL AFTERBODY-RIGHT (AMPHIBIAN)
	1	3A01339-025	SISTER KEEL AFTERBODY-LEFT (SEAPLANE)
	1	3A01339-026	SISTER KEEL AFTERBODY-RIGHT (SEAPLANE)
9	1	3A01363-001	CHINE AFTER BODY LT.
	1	3A01363-002	CHINE AFTER BODY RT.

1. ALL OUTSIDE EXTRUSIONS MAYBE REPAIRED BY SPLICING AS DESCRIBED IN WIPLINE SERVICE MANUAL
2. ALL EXTRUSIONS MAY BE PURCHASED COMPLETE OR IN INCREMENTS OF 1 FOOT
3. EXTRUSIONS MAY BE PURCHASED MILLED READY FOR INSTL.
4. IF THE SECTION NEEDED IS ON CURVE OF EXTRUSION, ENTIRE EXTRUSION MUST BE PURCHASED.

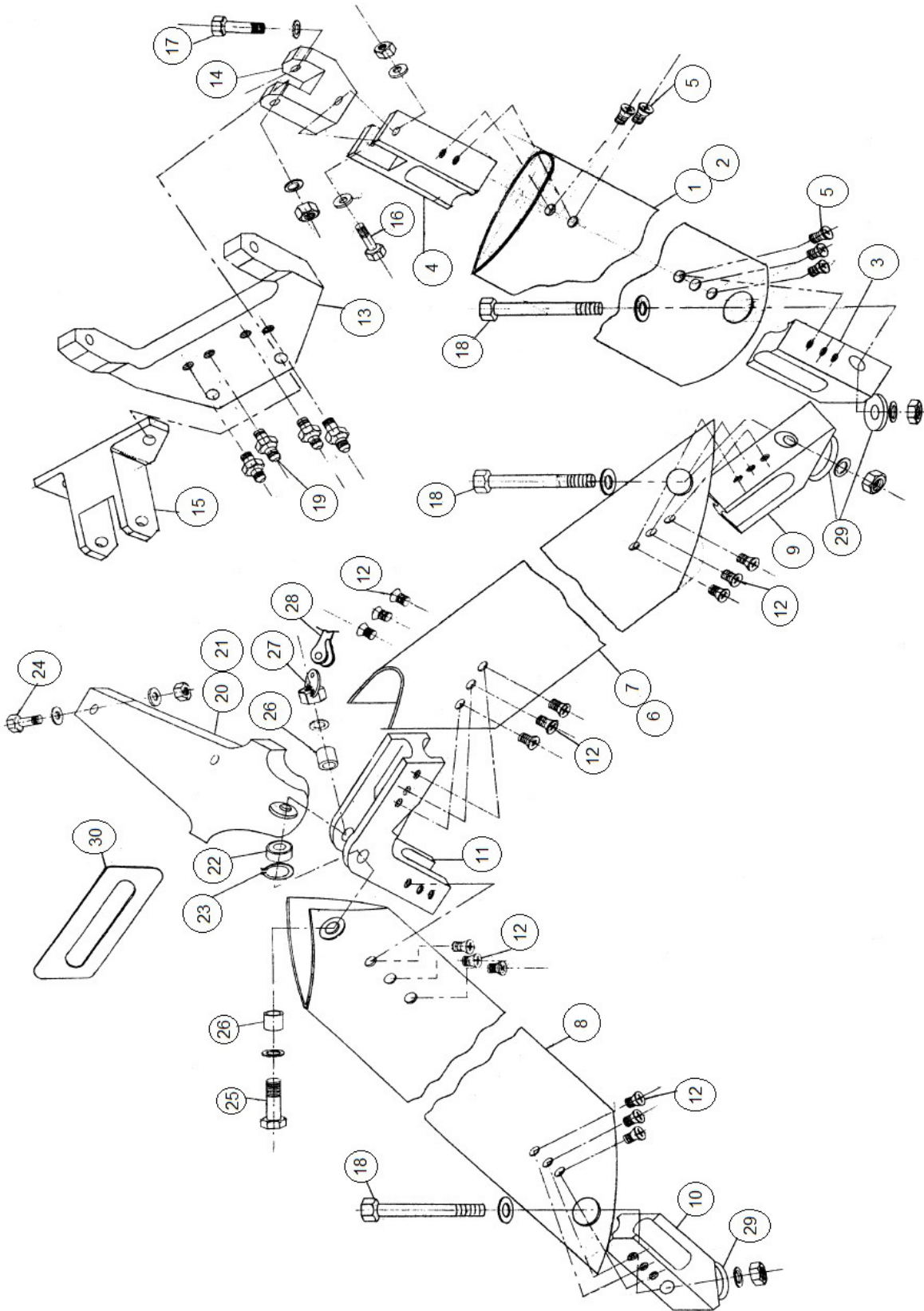
THIS PAGE INTENTIONALLY LEFT BLANK

SECTION 6 STRUTS & SPREADER BAR

CONTENTS

CESSNA 206 STRUTS INSTALLATION	32
CESSNA 185 STRUTS INSTALLATION	35
SPREADER BAR INSTALLATION	38

CESSNA 206 STRUTS INSTALLATION



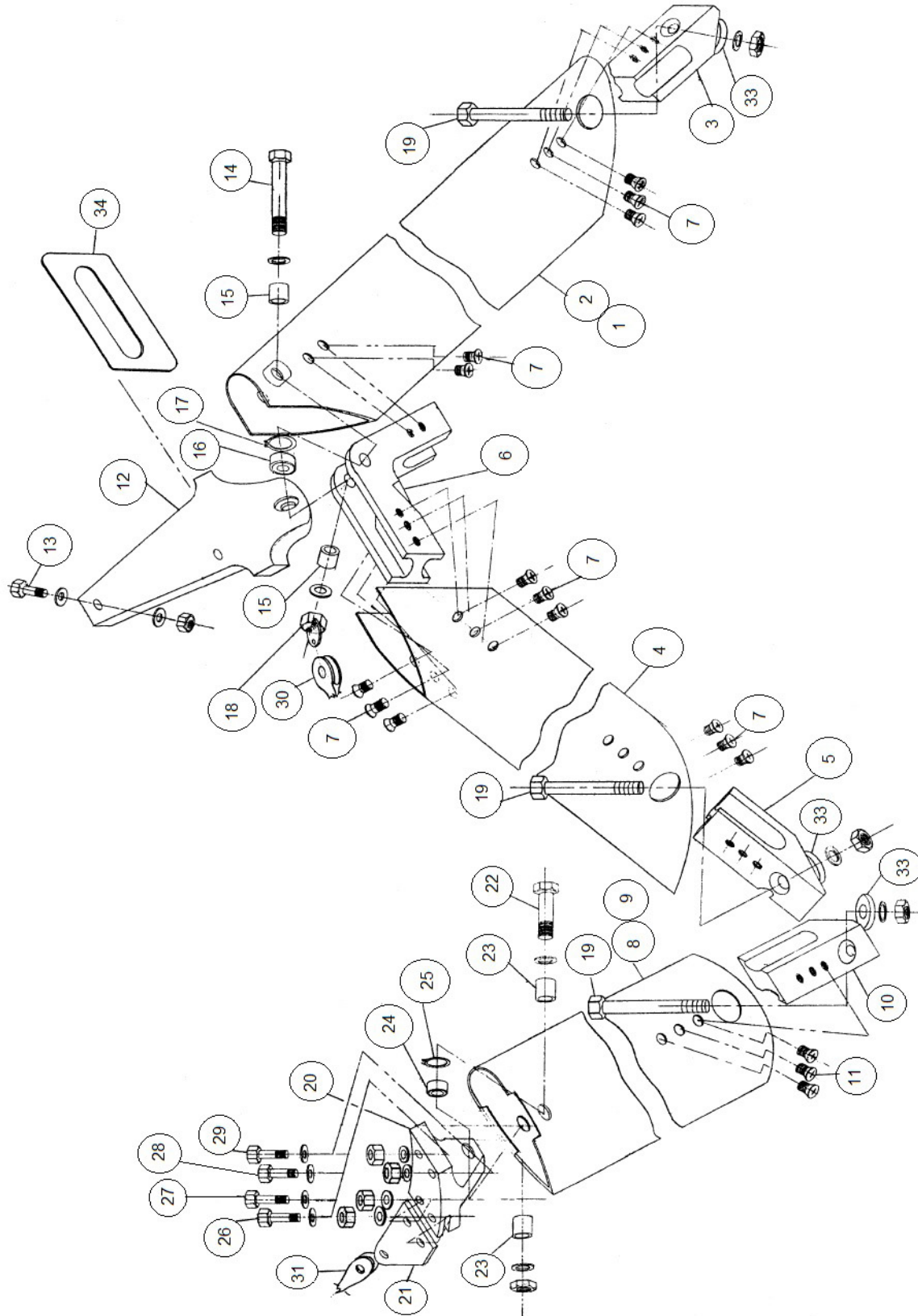
PARTS MANUAL
WIPLINE 3730 & 3900 FLOATS ON CESSNA 185 & 206 SERIES

ITEM	QTY	PART NO.	PART DESCRIPTION
1	1	3A02000-011	ASSEMBLY-FRONT STRUT-LEFT
	1	3A02000-012	ASSEMBLY-FRONT STRUT-RIGHT
2	1	3A02356-001	STRUT-FRONT-LEFT
	1	3A02356-002	STRUT-FRONT-RIGHT
3	1	3A02045-005	FITTING-FRONT STRUT LOWER-LEFT
	1	3A02045-006	FITTING-FRONT STRUT LOWER-RIGHT
4	2	3A02045-007	FITTING-FRONT STRUT UPPER
5	10	MS24694S145	SCREW
6	1	3A02000-009	ASSEMBLY REAR AND DIAGONAL STRUT-LEFT
	1	3A02000-010	ASSEMBLY REAR AND DIAGONAL STRUT-RIGHT
7	1	3A02356-003	STRUT-DIAGONAL-LEFT
	1	3A02356-004	STRUT-DIAGONAL-RIGHT
8	1	3A02356-005	STRUT-REAR-LEFT
	1	3A02356-006	STRUT-REAR-RIGHT
9	1	3A02045-003	FITTING DIAGONAL-LOWER LEFT
	1	3A02045-004	FITTING DIAGONAL-LOWER RIGHT
10	1	3A02045-001	FITTING-REAR STRUT LOWER-LEFT
	1	3A02045-002	FITTING-REAR STRUT LOWER-RIGHT
11	2	3A02064-001	FITTING-REAR AND DIAGONAL STRUT UPPER
12	24	MS24694S145	SCREW
13	1	3A02057-001	FITTING-FRONT STRUT JOINING
14	2	3A02055-001	LINK-FRONT STRUT UPPER
15	1	3A02063-001	LINK-FRONT STRUT JOINING
16	2	AN6-25A	BOLT
	4	NAS1149PO663J	WASHER
	2	MS21044N6	NUT
17	2	AN6-32A	BOLT
	4	NAS1149DO663J	WASHER
	2	MS21044N6	NUT
18	6	AN9-60A	BOLT
	12	NAS1149DO963J	WASHER
	6	MS21044N9	NUT
19	8	AN816-4D	FITTING-HYDRAULIC
20	1	3A02000-003	ASSEMBLY FUSELAGE FITTING-LEFT
	1	3A02000-004	ASSEMBLY FUSELAGE FITTING-RIGHT
21	1	3A02040-001	FITTING-FUSELAGE-LEFT
	1	3A02040-002	FITTING-FUSELAGE-RIGHT
22	1	COM10	BEARING-SWIVEL-MORSE
23	1	N5000-118H	SNAP RING
24	2	MS20006-30	BOLT
	4	NAS1149DO663J	WASHER

PARTS MANUAL
WIPLINE 3730 & 3900 FLOATS ON CESSNA 185 & 206 SERIES

ITEM	QTY	PART NO.	PART DESCRIPTION
	2	MS21044N6	NUT
25	2	AN10-24A	BOLT
	4	NAS1149D1063J	WASHER
26	4	3A02531-001	BUSHING-REAR SWIVEL
27	1	3A02000-007	ASSEMBLY-WIRE PULL-UPPER LEFT
	1	3A02000-008	ASSEMBLY-WIRE PULL-UPPER RIGHT
28	2	3A02000-044	ASSEMBLY-BRACE WIRE
	1	AN676AC 63.25	WIRE
	1	AN665-80L	TERMINAL END-LEFT
	1	AN665-80R	TERMINAL END-RIGHT
	1	AN316-6L	NUT
	1	AN316-6R	NUT
29	6	3A03272-001	SPACER-STRUT TO FLOAT DECK
30	1	3A02005-031	COVER-STRUT FITTING-LEFT
	1	3A02005-030	COVER-STRUT FITTING-RIGHT
31	1	3A02350-003	STEP-PILOT DOOR
	3	AN3-24A	BOLT
	3	MS21044N3	NUT
32	1	3A02350-004	CARGO STEP (OPTIONAL 206)
	2	AN3-24A	BOLT
	2	MS21044N3	NUT
33	4	MS20392-5C21	CLEVIS PIN
34	4	MS24665-302	COTTER PIN
35	1	3A02524-001	WIRE PULL LOWER LEFT
	1	3A02524-002	WIRE PULL LOWER RIGHT

CESSNA 185 STRUTS INSTALLATION



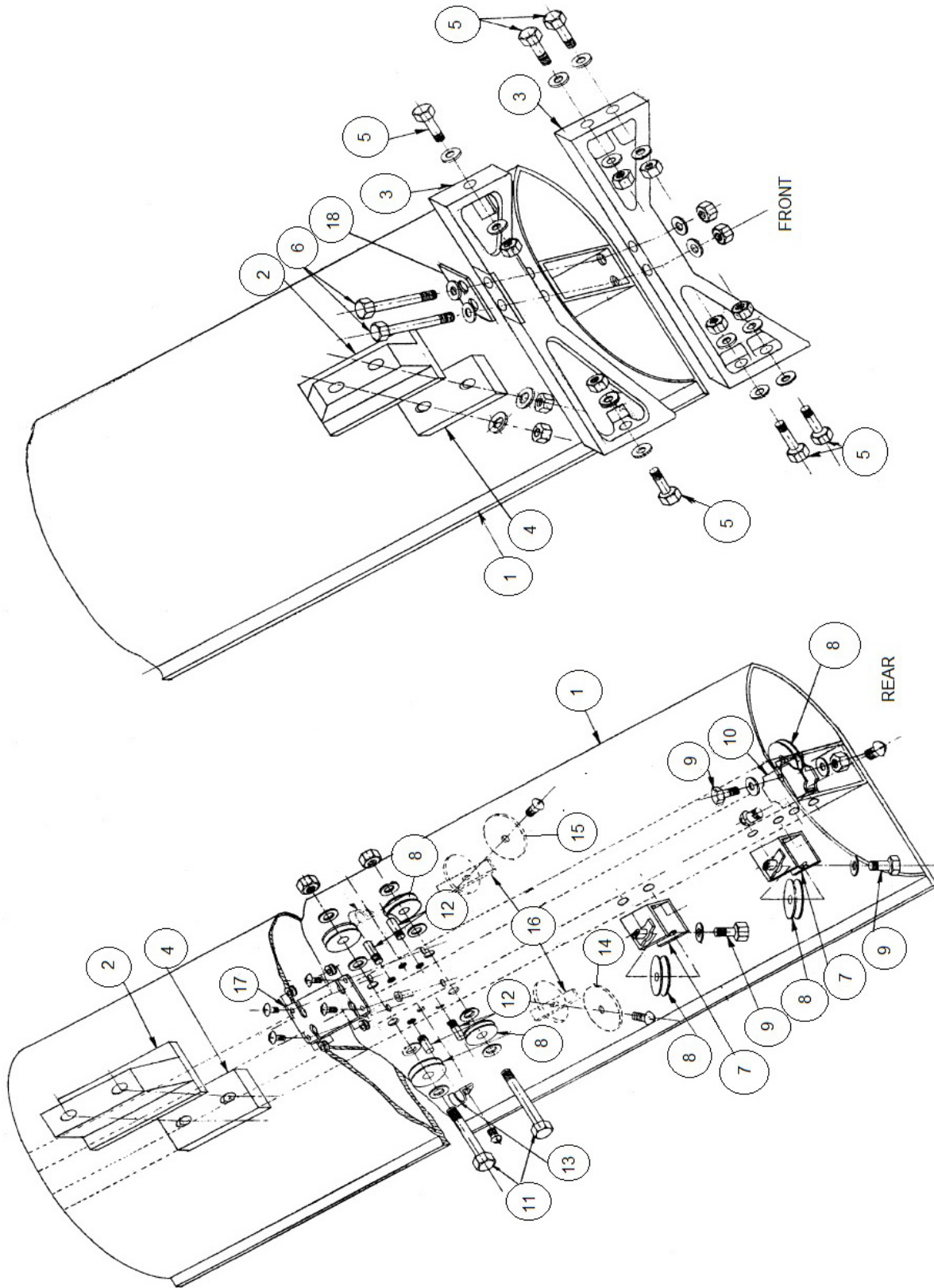
PARTS MANUAL
WIPLINE 3730 & 3900 FLOATS ON CESSNA 185 & 206 SERIES

ITEM	QTY	PART NO.	PART DESCRIPTION
1	1	3A02000-013	ASSEMBLY-FRONT AND DIAGONAL STRUT-LEFT
	1	3A02000-014	ASSEMBLY-FRONT AND DIAGONAL STRUT-RIGHT
2	1	3A02356-011	STRUT-FRONT-LEFT
	1	3A02356-012	STRUT-FRONT-RIGHT
3	1	3A02045-013	FITTING-FRONT STRUT LOWER-LEFT
	1	3A02045-012	FITTING-FRONT STRUT LOWER-RIGHT
4	1	3A02356-009	STRUT-DIAGONAL-LEFT
	1	3A02356-010	STRUT-DIAGONAL-RIGHT
5	1	3A02045-011	FITTING-DIAGONAL STRUT-LOWER LEFT
	1	3A02045-010	FITTING-DIAGONAL STRUT-LOWER RIGHT
6	2	3A02066-001	FITTING-FRONT AND DIAGONAL STRUT-UPPER
7	22	MS24694S145	SCREW
8	1	3A02000-015	ASSEMBLY-REAR STRUT-LEFT
	1	3A02000-016	ASSEMBLY-REAR STRUT-RIGHT
9	1	3A02356-007	STRUT-REAR LEFT
	1	3A02356-008	STRUT-REAR RIGHT
10	1	3A02045-009	FITTING-REAR STRUT-LOWER LEFT
	1	3A02045-008	FITTING-REAR STRUT-LOWER RIGHT
11	6	MS24694S145	SCREW
12	1	3A02000-005	FITTING-FUSELAGE ATTACH-LEFT
	1	3A02000-006	FITTING-FUSELAGE ATTACH-RIGHT
13	2	AN7-20A	BOLT
	4	NAS1149D0763J	WASHER
	2	MS20365-720A	NUT
14	2	AN10-24A	BOLT
	4	NAS1149D1063J	WASHER
15	4	3A02531-001	BUSHING-FRONT SWIVEL
16	2	COM10	BEARING-SWIVEL (MORSE)
17	2	N5000-118H	SNAP RING
18	1	3A02000-008	ASSEMBLY-WIREPULL-UPPER LEFT
	1	3A02000-007	ASSEMBLY-WIREPULL-UPPER RIGHT
19	6	AN9-60A	BOLT
	12	NAS1149D0963J	WASHER
	6	MS21044N9	NUT
20	1	3A02344-001	FITTING-REAR FUSELAGE-LEFT
	1	3A02344-002	FITTING-REAR FUSELAGE-RIGHT
21	1	3A02065-001	FITTING-BRACE WIRE-LEFT
	1	3A02065-002	FITTING-BRACE WIRE-RIGHT
	1	3A02000-017	FITTING-BRACE WIRE-LEFT - ASSEMBLY
	1	3A02000-018	FITTING-BRACE WIRE-RIGHT - ASSEMBLY
22	2	AN8-23A	BOLT

PARTS MANUAL
WIPLINE 3730 & 3900 FLOATS ON CESSNA 185 & 206 SERIES

ITEM	QTY	PART NO.	PART DESCRIPTION
	4	NAS1149DO863J	WASHER
	2	MS21044N8	NUT
23	4	3A02527-003	BUSHING-REAR SWIVEL
24	2	COMM.8	BEARING-SWIVEL (MORSE)
25	2	N5000-100H	SNAP RING
26	2	AN5-32A	BOLT
	4	NAS1149DO563J	WASHER
	2	MS21044N5	NUT
27	2	AN5-15A	BOLT
	4	NAS1149DO563J	WASHER
	2	MS21044N5	NUT
28	2	AN5-30A	BOLT
	4	NAS1149DO563J	WASHER
	2	MS21044N5	NUT
29	2	AN5-12A	BOLT
	4	NAS1149DO563J	WASHER
	2	MS21044N5	NUT
30	2	3A02000-045	ASSEMBLY-BRACE WIRE-FRONT
	1	AN665-80L	TERMINAL END-LEFT
	1	AN665-80R	TERMINAL END-RIGHT
	1	AN316-6L	NUT-LEFT
	1	AN316-6R	NUT-RIGHT
	2	MS20392-5C21	CLEVIS PIN
31	2	3A02000-046	ASSEMBLY-BRACE WIRE-REAR
	1	AN665-80L	TERMINAL END-LEFT
	1	AN665-80R	TERMINAL END-RIGHT
	1	AN316-6L	NUT-LEFT
	1	AN316-6R	NUT-RIGHT
32	1	3A02369-034	STEP-ENTRANCE-LEFT & RIGHT
33	6	3A03272-001	SPACER-STRUT TO FLOAT DECK
34	1	3A02005-171	COVER-STRUT FITTING-LEFT
	1	3A02005-032	COVER-STRUT FITTING-RIGHT
35	2	3A02524-001	WIRE PULL – RIGHT – FWD & REAR
	2	3A02524-002	WIRE PULL – LEFT – FWD & REAR

SPREADER BAR INSTALLATION



PARTS MANUAL
WIPLINE 3730 & 3900 FLOATS ON CESSNA 185 & 206 SERIES

ITEM	QTY	PART NO.	PART DESCRIPTION
1	1	3A03000-001	ASSEMBLY-FRONT SPREADER BAR (SPECIFY 206 OR 185)
	1	3A03000-002	ASSEMBLY-REAR SPREADER BAR (SPECIFY 206 OR 185)
2	2	3A03345-001	BLOCK-SPREADER BAR ATTACH (CESSNA 185) UPPER
	2	3A03345-001	BLOCK-SPREADER BAR ATTACH (CESSNA 206) UPPER
3	1	3A01436-002	CASTING-CLAMP-UPPER RIGHT-OUTBOARD
	1	3A01436-001	CASTING-CLAMP-UPPER RIGHT-INBOARD
	1	3A01436-001	CASTING-CLAMP-UPPER LEFT-OUTBOARD
	1	3A01436-002	CASTING-CLAMP-UPPER LEFT-INBOARD
	1	3A01436-004	CASTING-CLAMP-LOWER RIGHT-OUTBOARD
	1	3A01436-003	CASTING-CLAMP-LOWER RIGHT-INBOARD
	1	3A01436-003	CASTING-CLAMP-LOWER LEFT-OUTBOARD
	1	3A01436-004	CASTING-CLAMP-LOWER LEFT-INBOARD
4	2	3A03197-001	BLOCK-SPREADER BAR ATTACH (185 FRONT) LOWER
	2	3A03197-002	BLOCK-SPREADER BAR ATTACH (185 REAR) LOWER
	2	3A03197-002	BLOCK-SPREADER BAR ATTACH (206 FRONT) LOWER
	2	3A03197-001	BLOCK-SPREADER BAR ATTACH (206 REAR) LOWER
5	24	AN4-10A	BOLT
	24	MS21044N4	NUT
	48	NAS1149D0416J	WASHER
6	16	AN5-60A	BOLT
	32	NAS1149D0563J	WASHER
	16	MS21044N5	NUT
7	1	3A03000-003	ASSEMBLY-PULLEY BRACKET-LEFT OUTBOARD
	1	3A03000-004	ASSEMBLY-PULLEY BRACKET-RIGHT OUTBOARD
	1	3A03000-005	ASSEMBLY-PULLEY BRACKET-LEFT INBOARD
	1	3A03000-006	ASSEMBLY-PULLEY BRACKET-RIGHT INBOARD
8	10	MS20219-2	PULLEY
9	6	AN4-7A	BOLT-PULLEY ATTACH
	A/R	NAS1149D0563J	WASHER
	6	MS21044N5	NUT
10	2	3A01151-010	PULLEY BRACKET
	1	3A03001-01	DOUBLER-PULLEY BRACKET (TAPPED)
	2	AN526-832-8	SCREW-ATTACH
	2	MS35333-38	WASHER
	1	AN380-2-3	COTTER PIN
11	2	AN4-33A	BOLT
	4	NAS1149D0416J	WASHER
	2	MS21044N4	NUT
12	4	3A03269-001	CABLE GUIDE
13	1	3A03005-029	CABLE GUIDE
	1	AN526-832R6	SCREW

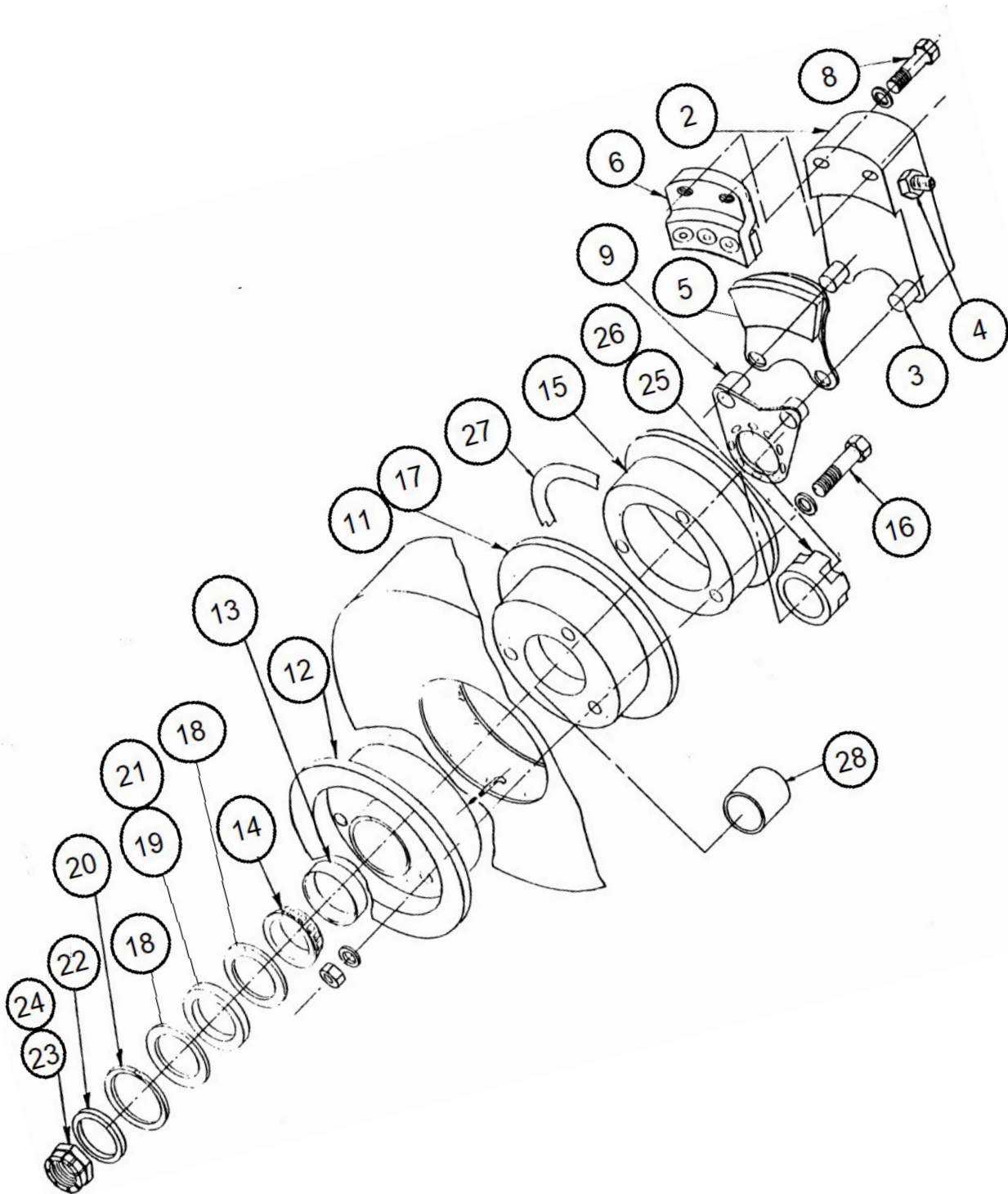
ITEM	QTY	PART NO.	PART DESCRIPTION
	1	MS35333-38	WASHER
14	1	3A03005-020	COVER-INSPECTION FLAT-AFT.
	1	AN526-832R6	SCREW-ATTACH
15	1	3A03005-021	COVER-INSPECTION CURVED-FWD.
	1	AN526-832R6	SCREW ATTACH
16	2	3A03156-008	STRIP-INSPECTION COVER ATTACHING
17	1	3A03005-169	CABLE GUIDE
	4	AN526-632R4	SCREW-ATTACH
	4	MS35489-4	GROMMET
18	2	3A03186-001	SPACER-SPREADER BAR CAST. (206 FRONT ONLY)

SECTION 7 LANDING GEAR

CONTENTS

MAIN GEAR WHEEL AND BRAKE ASSEMBLY	42
MAIN LANDING GEAR ASSEMBLY	45
MAIN GEAR OLEO ASSEMBLY	47
MAIN GEAR RETRACTION ASSEMBLY	49
MAIN GEAR RETRACTION CYLINDER ASSEMBLY	52
MAIN GEAR RETRACTION BRACE AND SWITCH ASSEMBLY	53
NOSE WHEEL ASSEMBLY (GROVE)	54
NOSE GEAR WHEEL ASSEMBLY (PARKER)	56
NOSE GEAR RETRACTION ASSEMBLY	58

MAIN GEAR WHEEL AND BRAKE ASSEMBLY



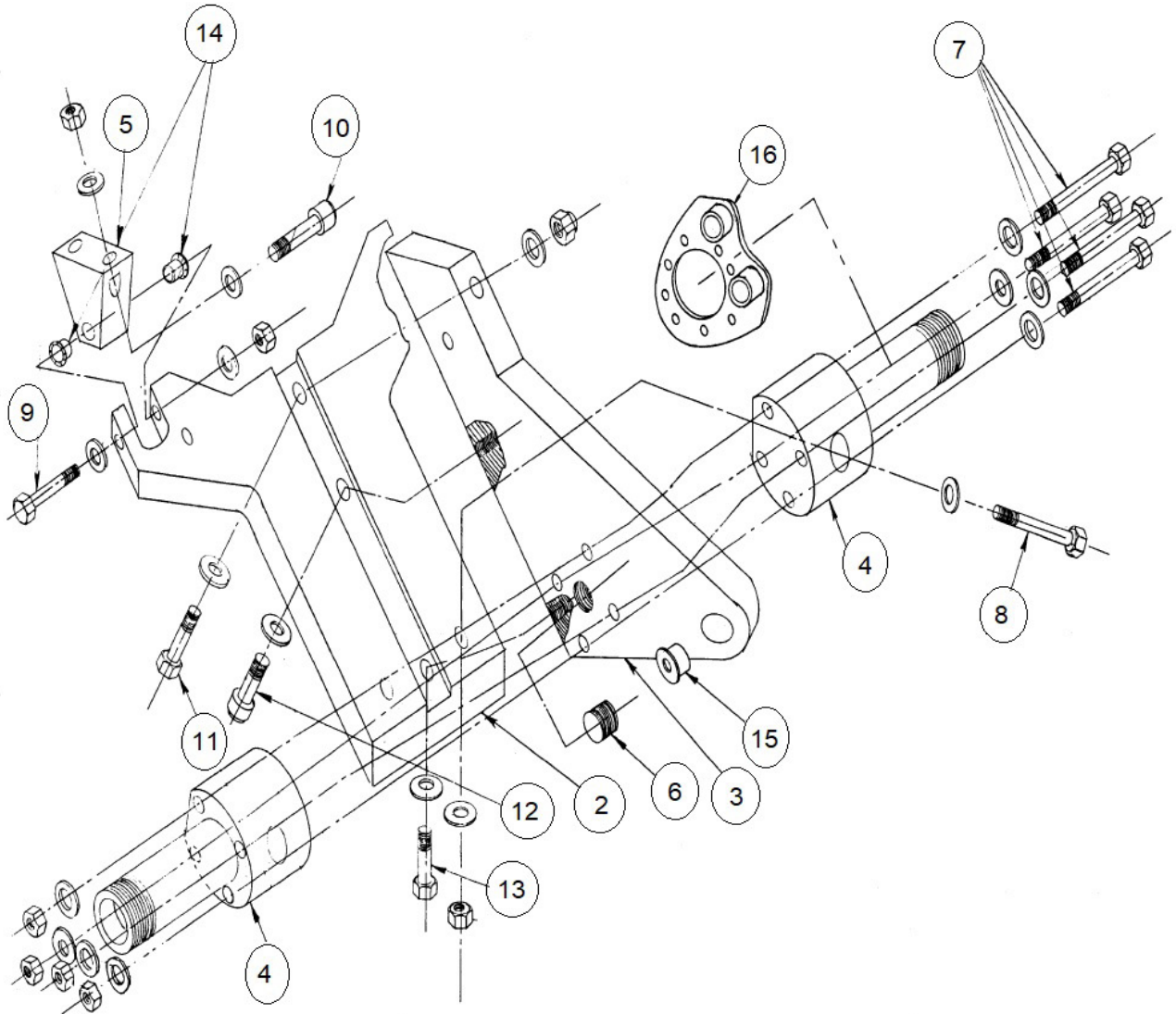
PARTS MANUAL
WIPLINE 3730 & 3900 FLOATS ON CESSNA 185 & 206 SERIES

ITEM	QTY	PART NO.	PART DESCRIPTION
1	1	3A04000-052	ASSEMBLY-BRAKE AND TORQUE PLATE (30-9C)
2	1	91-7A	ASSEMBLY-CYLINDER
	1	61-6A	CYLINDER-BRAKE
	1	92-2	ASSEMBLY-PISTON
	1	062-00300	PISTON
	1	MS28775-218	"O" RING
3	2	3A04702-001	ANCHOR BOLT
	2	NAS1149DO416J	WASHER
	2	NAS679A4W	NUT
4	1	081-00100	SEAT-BLEEDER
	1	079-00300	SCREW-BLEEDER
	1	183-1	CAP-BLEEDER
5	1	073-00300	ASSEMBLY-PRESSURE PLATE
	1	063-00500	PLATE-PRESSURE
	1	066-10600	LINING
	3	105-00200	RIVET
6	1	074-00200	ASSEMBLY-BACK PLATE
	1	064-00500	PLATE-BACK
	1	066-10600	LINING
	3	105-00200	RIVET
7	1	3A04152-001	SHIM (SS STEEL BRAKE DISC ONLY)
8	2	AN4H15A	BOLT
	2	NAS1149DO416J	WASHER
9	1	3A04711-001	ASSEMBLY-TORQUE PLATE-LEFT
	1	3A04711-002	ASSEMBLY-TORQUE PLATE-RIGHT
10	1	3A04000-060	ASSEMBLY-WHEEL (40-78A)
11	1	N/A	INNER WHEEL HALF (NOT SOLD SEPARATELY)
12	1	N/A	OUTER WHEEL HALF (NOT SOLD SEPARATELY)
13	2	08231	CUP-BEARING
	2	08231CP	CUP-BEARING (CHROME PLATED)
14	2	08125	CONE-BEARING
	2	08125CP	CONE-BEARING (CHROME PLATED)
15	1	164-01700	BRAKE DISC ASSEMBLY MIN. THK .167
16	3	AN4-22A	BOLT
	3	NAS1149DO416J	WASHER
	3	MS21044N4	NUT
17	1	217-00100	GROMMET-RUBBER (INNER WHEEL HALF)
18	4	153-00800	RING-GREASE SEAL-FELT SEAL ONLY
19	2	154-00600	SEAL-FELT
20	2	155-00200	SNAP RING-FELT SEAL ONLY
21	2	473237	SEAL-NATIONAL OIL SEAL (ALTERNATE)

ITEM	QTY	PART NO.	PART DESCRIPTION
22	1	9A3-149	SPACER-OUTER-FELT SEAL-ONLY
23	1	3A04268-003	NUT-FELT SEAL-ONLY
24	1	3A04268-003	NUT, MAIN AXLE
25	1	9B3-148	SPACER-INNER-FELT SEAL-ONLY
26	1	3A04093-001	SPACER-INNER-NATIONAL OIL SEAL-ONLY
27	1	3A04620-001	GASKET-TEFLON
28	1	3A04616-001	GREASE RETAINER
29	1	XA1AC*	TUBE 5.00 X 5
30	1	AA1D4*	TIRE 5.00 - 5 - 6

* Any alternate tire (tube type) which is TSO-approved, matches the listed tire's dimensions, and meets its speed/load/ply ratings may be used. Equivalent tubes may also be used.

MAIN LANDING GEAR ASSEMBLY

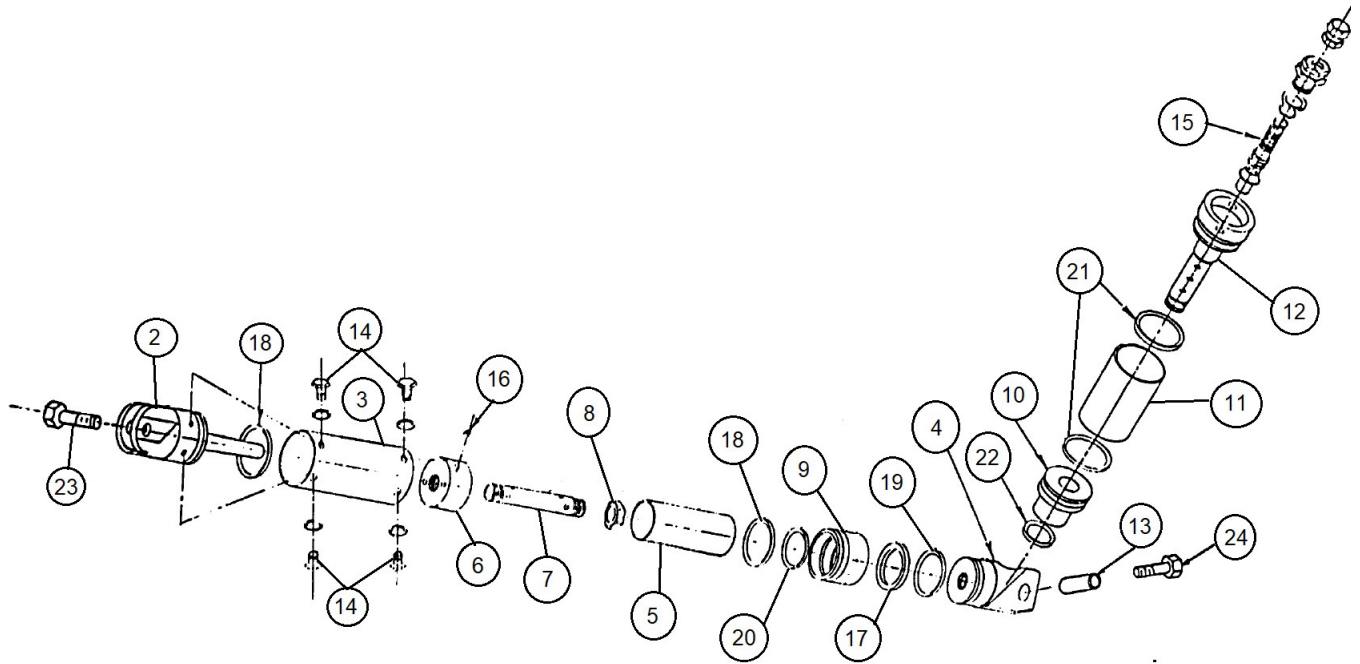


ITEM	QTY	PART NO.	PART DESCRIPTION
1	1	3A04000-002	ASSEMBLY-MAIN LANDING GEAR
2	1	3A04189-001	SUPPORT-AXLE MOUNT
3	1	3A04189-002	MOUNT-AXLE
4	2	3A04086-001	AXLE
5	2	3A04039-001	TRUNION
6	1	3A04518-002	NUT-BARREL
7	4	AN4-53A	BOLT-AXLE ATTACH
	8	NAS1149DO416J	WASHER
	4	MS21044N4	NUT

PARTS MANUAL
WIPLINE 3730 & 3900 FLOATS ON CESSNA 185 & 206 SERIES

ITEM	QTY	PART NO.	PART DESCRIPTION
8	2	AN4-30A	BOLT-AXLE TO MOUNT ATTACH
	4	NAS1149DO416J	WASHER
	2	MS21044N4	NUT
9	2	AN5-25A	BOLT-MOUNT TO TRUNION ATTACH
	4	NAS1149DO563J	WASHER
	2	MS21044N5	NUT
10	4	NAS144-18	BOLT-TRUNION ATTACH
	8	NAS1149DO463J	WASHER
	4	MS21044N4	NUT
11	1	AN6-16A	BOLT-SUPPORT TO MOUNT ATTACH
	1	NAS1149DO663J	WASHER
12	1	MS16997-99	BOLT-SOC. HD. CAP SCREW
	1	NAS1149DO663J	WASHER
13	1	AN6-22A	BOLT-SUPPORT TO MOUNT ATTACH
	3	NAS1149DO663J	WASHER
	1	MS21044N6	NUT
14	4	5L5F	NYLINER
15	2	8L8F	NYLINER
16	1	3A04711-001	TORQUE PLATE-BRAKE LEFT
	1	3A04711-002	TORQUE PLATE-BRAKE RIGHT

MAIN GEAR OLEO ASSEMBLY

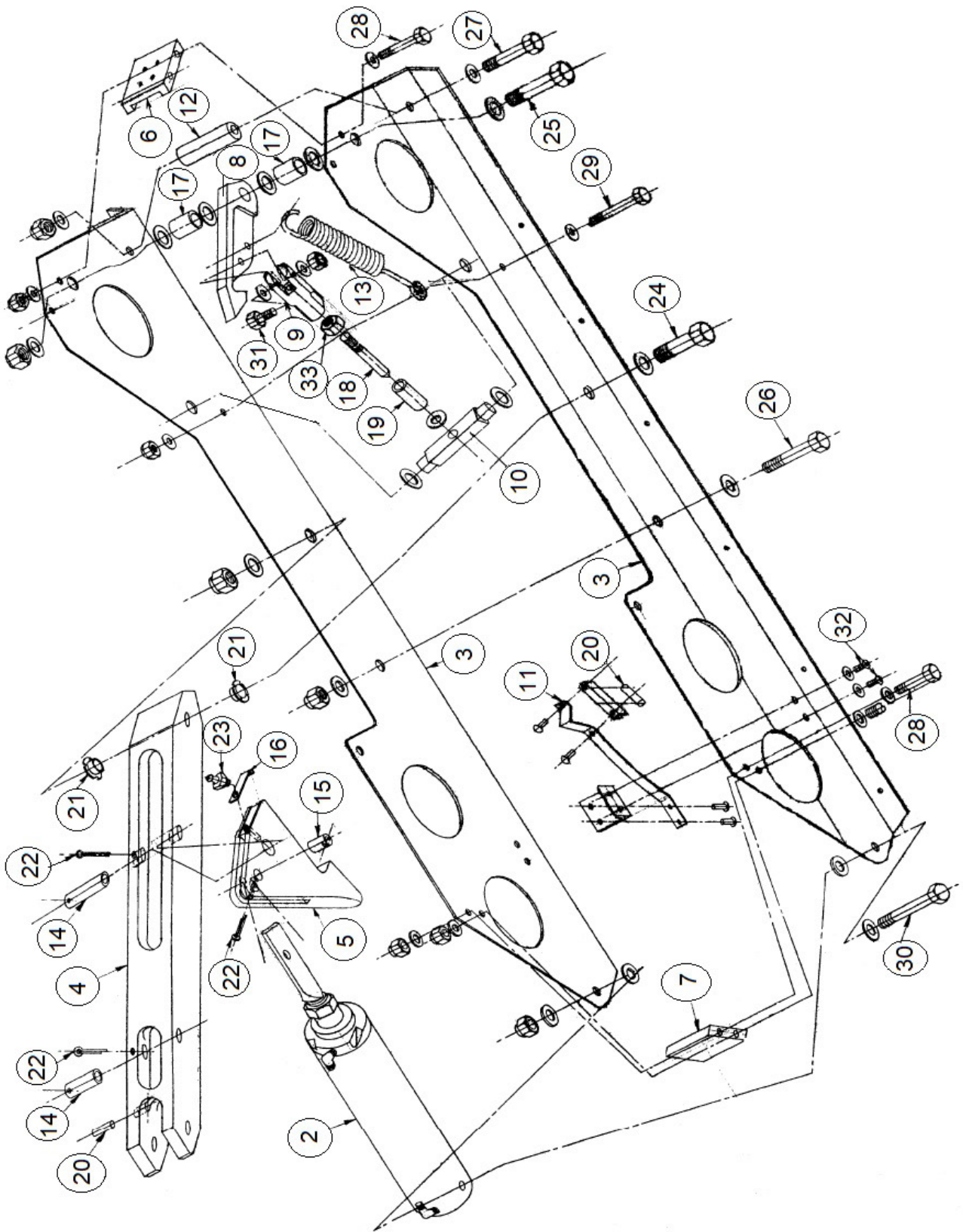


ITEM	QTY	PART NO.	PART DESCRIPTION
1	2	3A04000-003*	ASSEMBLY-OLEO SHOCK STRUT-COMplete
2	1	4A04277-002	BASE-SHOCK STRUT CYLINDER
	1	3A04258-008	PIN – METERING
3	1	4A04528-002*	BODY-CYLINDER
4	1	3A04529-001	TOP-SHOCK STRUT CYLINDER
5	1	3A04091-001	CYLINDER-INNER
6	1	4A04250-001	PISTON
7	1	3A04273-001	METERING TUBE
8	1	AN924-8D	NUT-JAMB
9	1	4A04713-002*	RETAINER-SHOCK STRUT
10	1	3A04089-003	END CAP-ACCUMULATOR
11	1	3A04118-001	BODY-ACCUMULATOR
12	1	3A04089-004	STEM AND END CAP
13	1	3A04619-002	BUSHING
14	8	4A04710-001	BOLT
	8	MS35333-40	WASHER
15	1	MS28889-2	VALVE-FILLER
16	1	1032NF X 3/16	SET SCREW
17	1	3A04580-003	FELT PACKING
18	2	MS28775-225	"O" RING

ITEM	QTY	PART NO.	PART DESCRIPTION
19	1	MS28775-218	"O" RING
20	1	MS28775-326	"O" RING
21	2	MS28775-216	"O" RING
22	1	MS28775-112	"O" RING
23	1	MS28775-015	"O" RING (AIR VALVE) NOT PICTURED
24	1	AN8-24A	BOLT-OLEO ATTACH
	2	NAS1149FO863P	WASHER
	1	MS21083N8	NUT
25	1	AN6-22A	BOLT-OLEO ATTACH
	2	NAS1149DO663J	WASHER
	1	MS21044N6	NUT

When a replacement is needed, you must also replace the other two parts that are denoted with an asterisk ().

MAIN GEAR RETRACTION ASSEMBLY



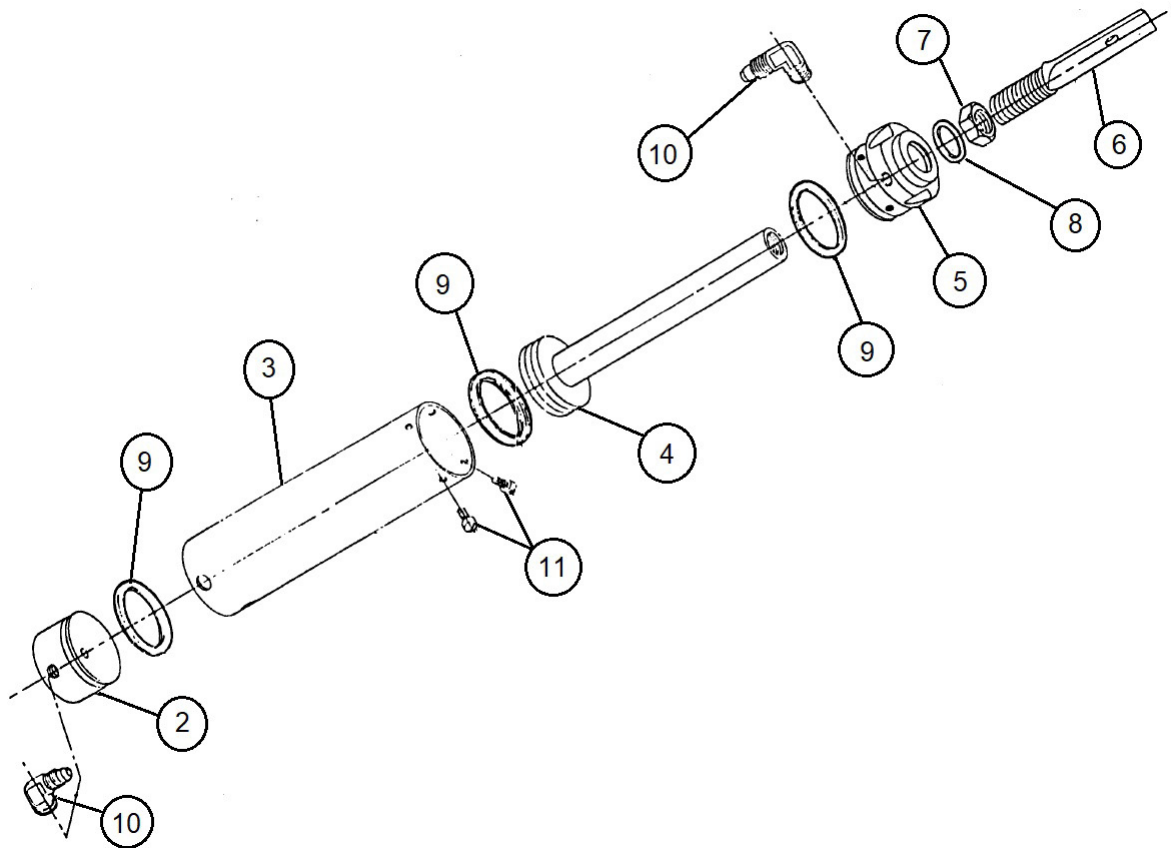
PARTS MANUAL
WIPLINE 3730 & 3900 FLOATS ON CESSNA 185 & 206 SERIES

ITEM	QTY	PART NO.	PART DESCRIPTION
1	1	3A05000-001	ASSEMBLY-RETRACTOR-COMPLETE
2	1	3A05000-002	CYLINDER-RETRACTOR
3	1	3A05360-002	FRAME-RETRACTOR R. OUTBR'D-L. INBR'D
	1	3A05360-001	FRAME-RETRACTOR L. OUTBR'D-R. INBR'D
4	1	3A05059-001	DRAG BRACE
5	1	3A05060-001	LATCH-MAIN GEAR EXTENDED
6	1	3A05038-001	STOP-DRAG BRACE UP
7	1	3A05038-002	STOP-DRAG BRACE DOWN
8	1	3A05033-001	LATCH-MAIN GEAR RETRACTED
9	1	3A05061-001	FORK-UP LATCH RELEASE
10	1	3A05061-002	GUIDE UP LATCH RELEASE
11	1	3A05000-005	MAGNET-HOLDER ASSEMBLY-W/MAGNET
12	1	3A05267-001	SPACER-RETRACT
13	1	3A08525-001	SPRING-UP LATCH
14	2	3A05523-001	PIN-DOWN LATCH LARGE
15	1	3A05521-002	PIN-DOWN LATCH SMALL
16	1	3A05526-001	STRIKER PLATE-DOWN LATCH
17	2	3A05619-001	SPACER-NYLON
18	1	3A05521-001	SHAFT-UP LATCH RELEASE
19	1	3A05267-002	SPACER-SLEEVE
20	2	3A05701-001	MAGNET
21	2	6L11F	BUSHING-NYLINER
22	3	MS24665-303	COTTER PIN
23	1	1095K41	GREASE ZERK
24	1	AN6-26A	BOLT-DRAG BRACE HINGE
	2	NAS1149DO663J	WASHER
	1	MS21044N6	NUT
25	1	AN6-25A	BOLT-LATCH MAIN GEAR UP
	6	NAS1149DO663J	WASHER
	1	MS21044N6	NUT
26	1	AN5-25A	BOLT-CATCH DOWN LOCK
	2	NAS1149DO563J	WASHER
	1	MS21044N5	NUT
27	1	AN4-24A	BOLT-FRAME SPACER
	2	NAS1149DO416J	WASHER
	1	MS21044N4	NUT
28	4	AN3-23A	BOLT-UP-DOWN STOPS
	8	NAS1149DO363J	WASHER
	4	MS21044N3	NUT
29	1	AN3-24A	BOLT-SPRING END
	2	NAS1149DO363J	WASHER

PARTS MANUAL
 WIPLINE 3730 & 3900 FLOATS ON CESSNA 185 & 206 SERIES

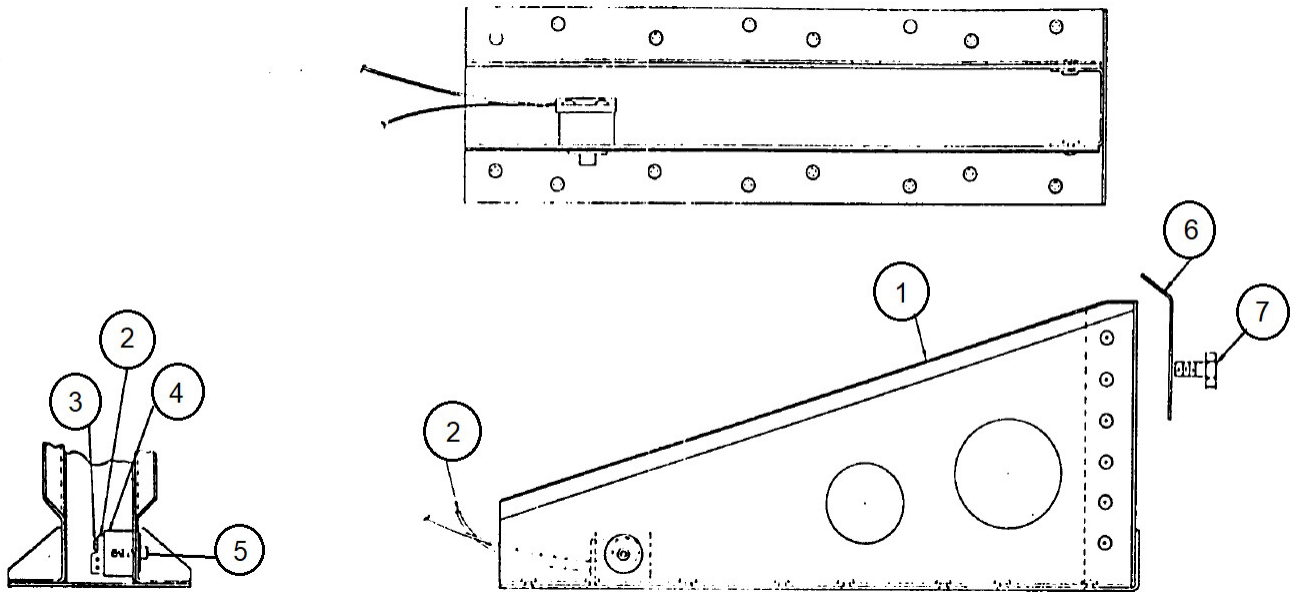
ITEM	QTY	PART NO.	PART DESCRIPTION
	1	MS21044N3	NUT
30	1	AN4-24A	BOLT-OLEO ATTACH
	2	NAS1149DO463J	WASHER
	2	NAS1149DO416J	WASHER
	1	MS21044N4	NUT
31	1	AN3-7A	BOLT-UP LATCH FORK
	2	NAS1149DO316J	WASHER
	1	MS21044N3	NUT
32	2	AN526-832R6	SCREW-MAGNET HOLDER ATTACH
	2	MS35333-38	WASHER
33	1	MS35649-2252	JAMB NUT

MAIN GEAR RETRACTION CYLINDER ASSEMBLY



ITEM	QTY	PART NO.	PART DESCRIPTION
1	1	3A05000-002	ASSEMBLY CYLINDER-RETRACTOR
2	1	3A05089-002	END-LOWER MAIN CYLINDER
3	1	3A05402-001	BODY-CYLINDER
4	1	3A05000-004	ASSEMBLY-PLUNGER
5	1	3A05089-001	END-UPPER MAIN CYLINDER
6	1	3A05518-001	LINK-PLUNGER SHAFT
7	1	AN316C8R	JAMB NUT
8	1	MS28775-114	"O" RING
9	3	MS28775-216	"O" RING
10	2	MS20822-4D	ELBOW
11	4	AN503-8-4	SCREW (INSTALL WITH LOCKTITE)

MAIN GEAR RETRACTION BRACE AND SWITCH ASSEMBLY



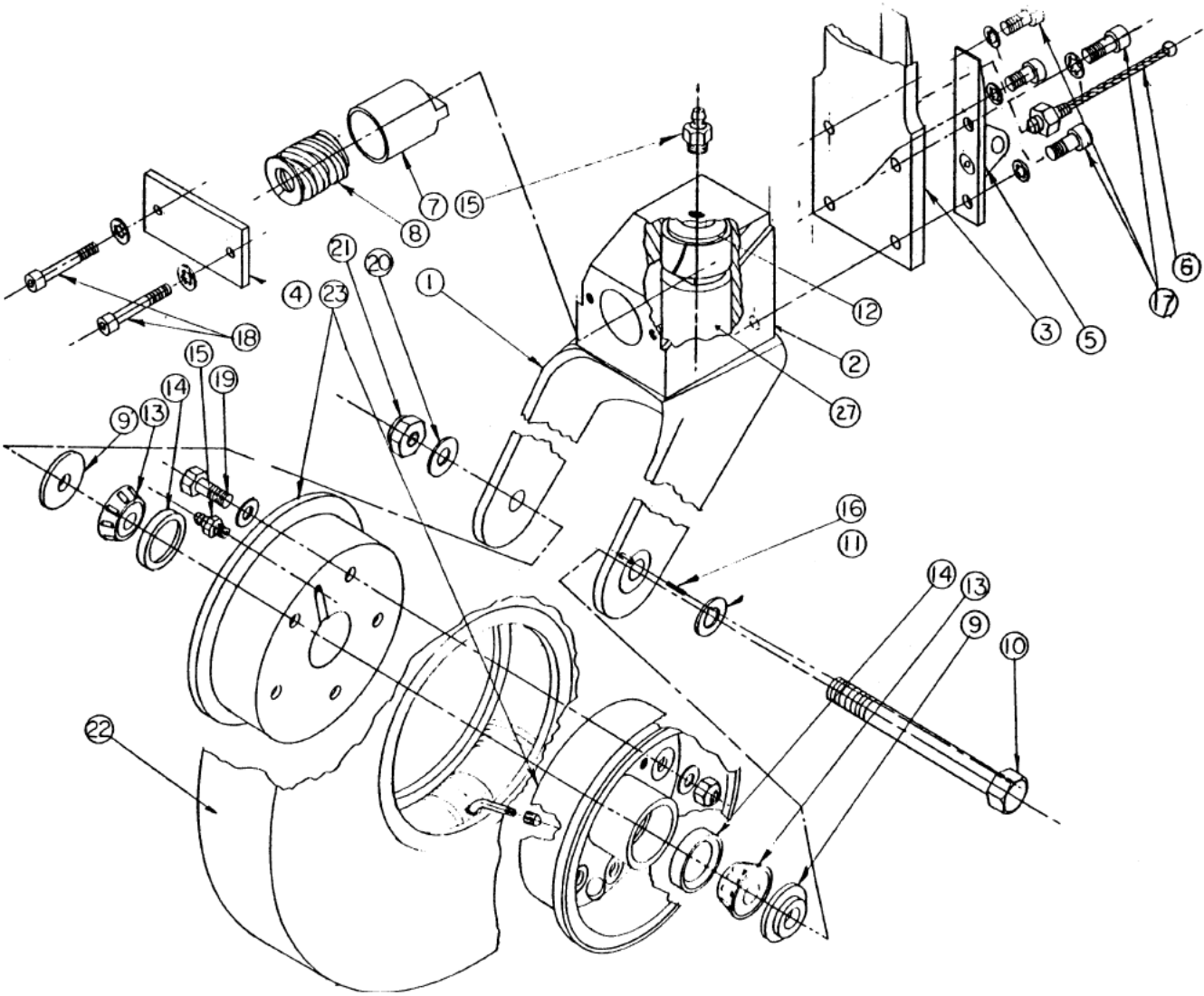
ITEM	QTY	PART NO.	PART DESCRIPTION
1	1	3A05000-003	ASSEMBLY-RETRACTOR BRACE
2	1	5801	SWITCH
3	2	AN515C6-8	SCREW-SWITCH ATTACH
4	1	3A05603-003	MOUNTING BLOCK-SWITCH
5	1	1032 X 1/2"	SCREW-SOC.HD.CAP SCREW-SWITCH BLOCK
	1	AN970-3	WASHER
6	A/R	3A05005-22	SPACER-BRACE ASSEMBLY (.032)
7	1	AN4-6A	BOLT-SPACER ATTACH
	2	NAS1149DO463J	WASHER
	1	MS21044N4	NUT

PARTS MANUAL
WIPLINE 3730 & 3900 FLOATS ON CESSNA 185 & 206 SERIES

ITEM	QTY	PART NO.	PART DESCRIPTION
1	1	1005927	BOLT, MODIFIED, AXLE, NOSE GEAR
2	2	1005928	SPACER
3	1	1006679	ASSEMBLY, NOSE WHEEL
3.1	1	49-12AF-001	WHEEL ASSEMBLY, GROVE
3.1.1	1	010-019	GREASE RETAINER
3.1.2	2	471570	SEAL, TIMKEN (EQUIVALENT TO GROVE OEM P/N 010-026)
3.1.3	1	015-020A	WHEEL HALF INNER
3.1.4	1	016-020AF	WHEEL HALF OUTER
3.1.5	2	A4050	BEARING CORE
3.1.6	2	A4138	BEARING CONE
3.1.7	3	AN4-23A	BOLT
3.1.8	3	MS21044N-4	NUT
3.1.9	2	MS28775-029	O-RING
3.1.10	6	NAS1149F0416	WASHER
3.2	1	XA1AB*	TUBE
3.3	1	AD1B2*	TIRE
4	1	1095K41	COMMON GREASEZERK
5	1	3A06702-003	MODIFIED WASHER
6	1	MS21083N8	NUT
7	1	NAS1149D0863J	WASHER

* Any alternate tire (tube type) which is TSO-approved, matches the listed tire's dimensions, and meets its speed/load/ply ratings may be used. Equivalent tubes may also be used.

NOSE GEAR WHEEL ASSEMBLY (PARKER)

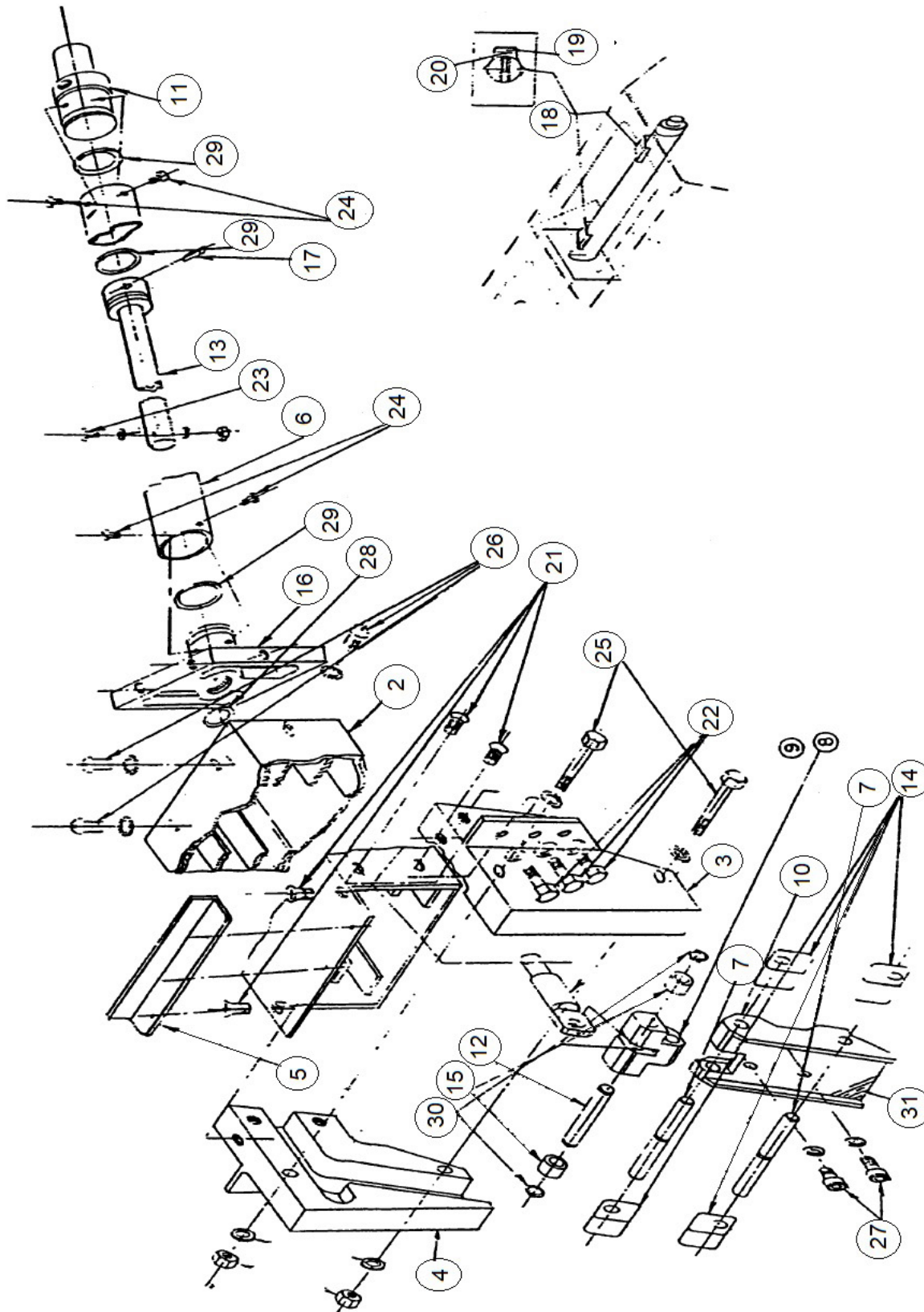


PARTS MANUAL
WIPLINE 3730 & 3900 FLOATS ON CESSNA 185 & 206 SERIES

ITEM	QTY	PART NO.	PART DESCRIPTION
1	1	3A06000-002	NOSE FORK - ASSEMBLY
2	1	3A06031-001	PIVOT BLOCK
3	1	3A06511-001	SPRING-NOSE GEAR
4	1	3A06037-001	COVER-NOSE GEAR CENTERING SPRING
5	1	3A06209-001	UP STOP WEDGE-OUTBOARD
	1	3A06000-003	ASSEMBLY UP STOP WEDGE W/TOW BLOCK
6	1	3A06000-004	ASSEMBLY-INDICATOR VISUAL UP
7	1	3A06512-001	CENTERING PISTON
8	1	3A06525-002	SPRING CENTERING
9	2	3A06259-001	SPACER-DUST COVER-MCCAULEY WHEEL
10	1	3A06702-002	AXLE-NOSE WHEEL
11	1	3A06702-003	WASHER
12	1	3A06602-001	WASHER-THRUST
13	2	A4050	BEARING-CONE
	2	A4050 20027	BEARING-CONE-CHROME PLATED
14	2	A4138	BEARING-CUP
	2	A4138 20027	BEARING-CUP-CHROME PLATED
15	2	1095K41	GREASE-ZERK
16	1	3A06476-001	PIN-ANTI AXLE ROTATE
17	4	MS16997-83	BOLT-SOC. HD. CAP SCREW
	4	MS35333-41	WASHER-LOCK
18	2	MS16997-40	BOLT-SOC. HD. CAP SCREW
	2	MS35333-40	WASHER-LOCK
19	3	AN4-7A	BOLT
	6	NAS1149FO463P	WASHER
	3	MS21044N4	NUT
20	1	NAS1149DO863P	WASHER
21	1	MS21044N8	NUT
22	1	AD1B2*	TIRE
	1	XA1AB*	TUBE
23	1	068-30373	GASKET (WHEEL HALVES) NOT SHOWN
	1	3A06000-010	WHEEL ASSY. W/TIRE, TUBE & BEARINGS
	1	3A06000-018	WHEEL ASSY. W/BEARING CUP

* Any alternate tire (tube type) which is TSO-approved, matches the listed tire's dimensions, and meets its speed/load/ply ratings may be used. Equivalent tubes may also be used.

NOSE GEAR RETRACTION ASSEMBLY



PARTS MANUAL
WIPLINE 3730 & 3900 FLOATS ON CESSNA 185 & 206 SERIES

ITEM	QTY	PART NO.	PART DESCRIPTION
1	1	3A07000-001	NOSE GEAR RETRACTION ASSEMBLY
2	1	3A07343-001	NOSE BOX
3	1	3A07349-001	TRACK-NOSE GEAR-LEFT
4	1	3A07349-002	TRACK-NOSE GEAR-RIGHT
5	1	3A07359-006	ANGLE MOUNTING
6	1	3A07402-002	CYLINDER-BODY-POWER
7	2	3A07509-001	AXLE-TROLLEY-LONG SHAFT
8	1	3A07032-001	TROLLEY-COUPLING
9	1	3A07094-001	LINK-PISTON ROD
10	1	3A07048-001	BODY-TROLLEY
11	1	3A07089-005	END-CYLINDER REAR
	1	MS35489-23	GROMMET (NOT SHOWN)
12	1	3A07509-002	AXLE-TROLLEY-SHORT SHAFT
13	1	3A07000-002	PLUNGER ASSEMBLY
14	4	3A07604-001	BEARING-BODY TROLLEY
15	2	3A07530-001	BEARING-TROLLEY COUPLING
16	1	3A07440-001	END-CYLINDER FRONT
	2	MS16997-44	SCREW (NOT SHOWN, BACK)
	1	AN932-2D	PLUG (NOT SHOWN, TOP)
17	1	3A05701-001	MAGNET
18	2	3A07005-178	CLIP, SWITCH, NOSE & MAIN
19	2	5801	SWITCH
20	4	AN515-4R5	SCREW-SWITCH ATTACH
21	2	MS24694S145	SCREW
	4	AN5-5A	BOLT
22	6	AN4-6A	BOLT
	12	NAS1149DO463J	WASHER
	6	MS21044N4	NUT
23	1	AN3-10A	BOLT
	2	NAS1149DO363J	WASHER
	1	MS21044N3	NUT
24	8	AN503-8-4	SCREW
25	2	AN4-50A	BOLT
	4	NAS1149DO463J	WASHER
	2	MS21044N4	NUT
26	6	AN526C1032R6	SCREW
	6	AN936A10	WASHER
27	2	MS20006-8	BOLT
	2	NAS1149D0616J	WASHER
	2	MS21044N6	NUT
28	1	MS28775-114	"O" RING

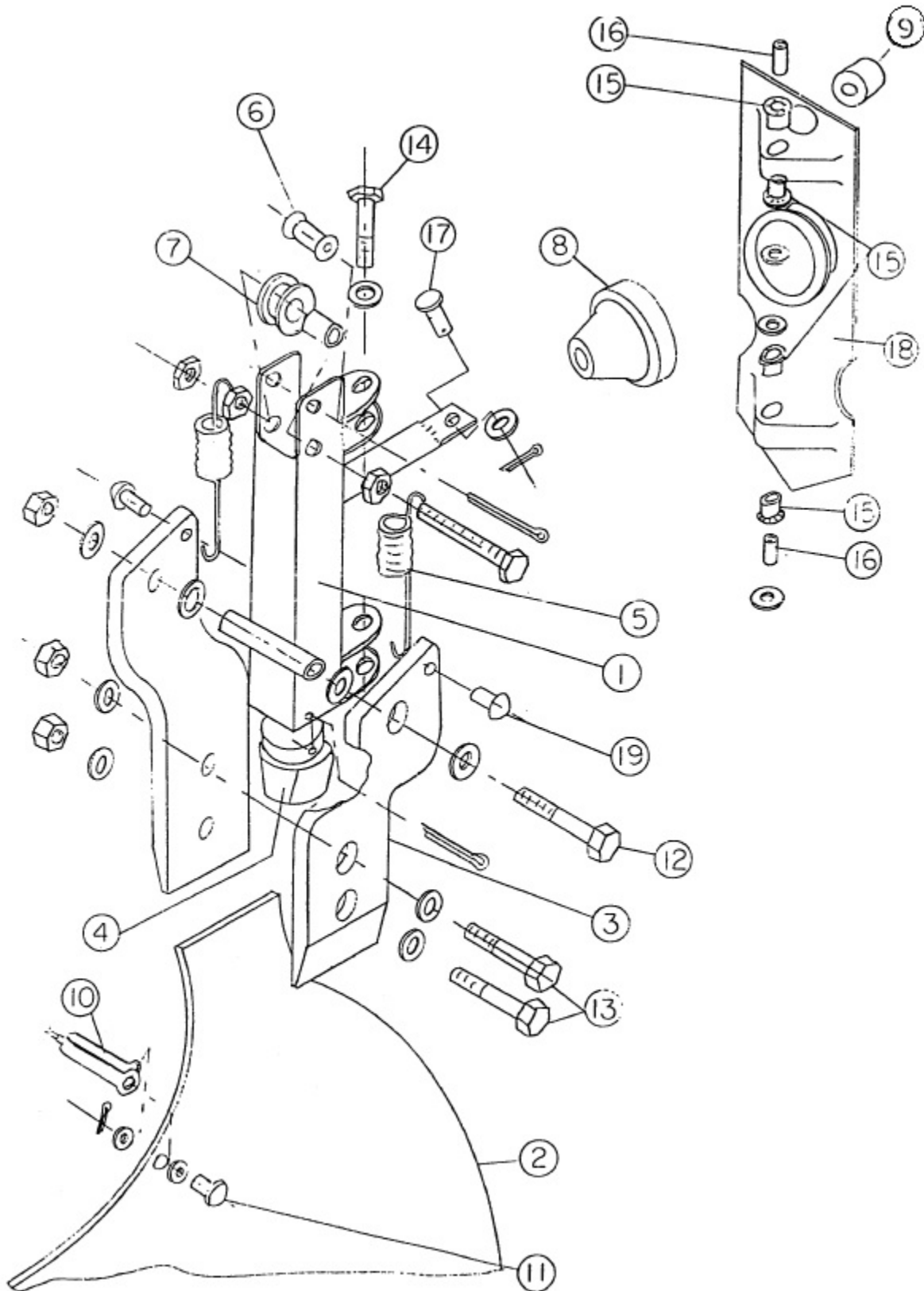
ITEM	QTY	PART NO.	PART DESCRIPTION
29	3	MS28775-216	"O" RING
30	2	5100-46-H	SNAP RING
31	1	3A07620-002	SPACER-GASKET

SECTION 8 WATER RUDDER, STEERING & RETRACT CABLES

CONTENTS

WATER RUDDER BLADE INSTALLATION.....	62
WATER RUDDER HANDLE ASSEMBLY CESSNA 206	64
WATER RUDDER HANDLE ASSEMBLY CESSNA 185	66
PULLEY BRACKETS ASSEMBLY - FUSELAGE BELLY	68
CABLE SYSTEM CESSNA 206.....	70
CABLE SYSTEM CESSNA 185.....	72

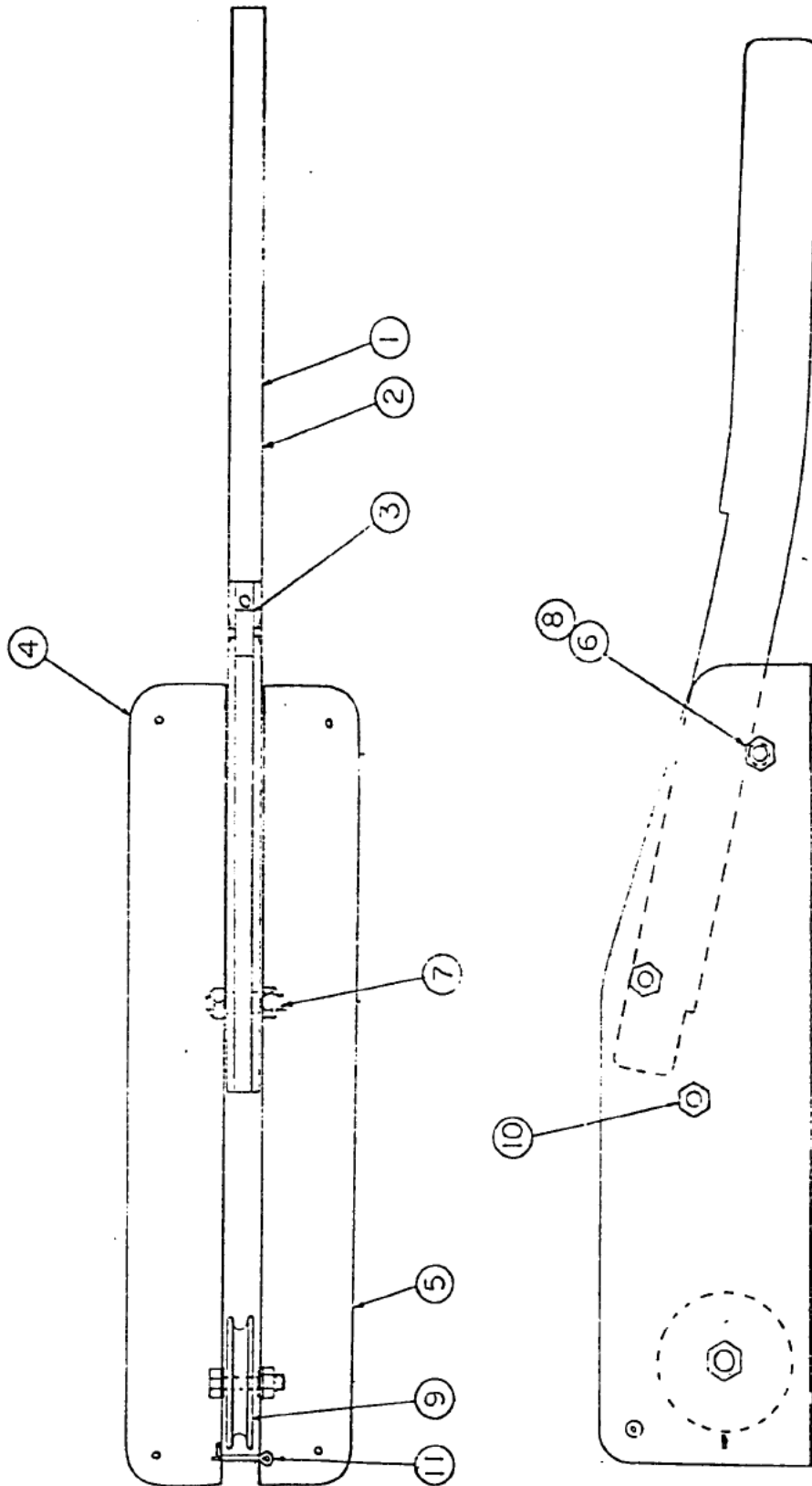
WATER RUDDER BLADE INSTALLATION



PARTS MANUAL
WIPLINE 3730 & 3900 FLOATS ON CESSNA 185 & 206 SERIES

ITEM	QTY	PART NO.	PART DESCRIPTION
1	1	3A08000-096	ASSEMBLY-WATER RUDDER PIVOT
2	1	3A08001-002	BLADE-WATER RUDDER
3	1	4A08197-009	ARM-WATER RUDDER LEFT
	1	4A08197-008	ARM-WATER RUDDER RIGHT
4	1	6A08183-005	STOP-WATER RUDDER
	1	MS24665-306	PIN-COTTER
5	2	3A08525-001	SPRING-RETRACT
6	1	6A08601-002	ROLLER-RETRACT CABLE-TOP
	1	MS24665-306	PIN-COTTER
7	1	3A08606-001	ROLLER-RETRACT CABLE CABLE-LOWER
	1	3A08502-001	BUSHING-ROLLER
	1	1032X2 INCH SS	BOLT-ROLLER-HEX. HEAD S.S.
	3	NAS679A3W	NUT
8	1	3A08650-001	BOOT-WATER RUDDER
9	1	3A08605-001	GUIDE-WATER RUDDER CABLE
10	1	NAS1435K3	FORK CABLE END
11	1	MS20392-2C11	CLEVIS PIN
	1	NAS1149D0316P	WASHER
	1	MS24665-132	PIN-COTTER
12	1	AN6C34A	BOLT-WATER RUDDER HINGE
	2	NAS1149DO616J	WASHER
	2	NAS1149DO663J	WASHER
	1	MS21044N6	NUT
13	2	AN4-10A	BOLT RUDDER TO ARM ATTACH
	4	NAS1149DO463J	WASHER
	2	MS21044N6	NUT
14	2	AN3-10A	BOLT-RUDDER POST HINGE
	2	MS35333-39	WASHER-LOCK
15	4	4L4F	NYLINER-HINGE
16	2	3A08502-002	BUSHING-SPACER-ROLLER
17	1	MS20392-2C11	PIN-CLEVIS
	1	NAS1149DO316J	WASHER
	1	MS24665-132	PIN-COTTER
18	1	3A01437-001	CASTING-WATER RUDDER
19	2	3A08702-005	PIN-SPRING

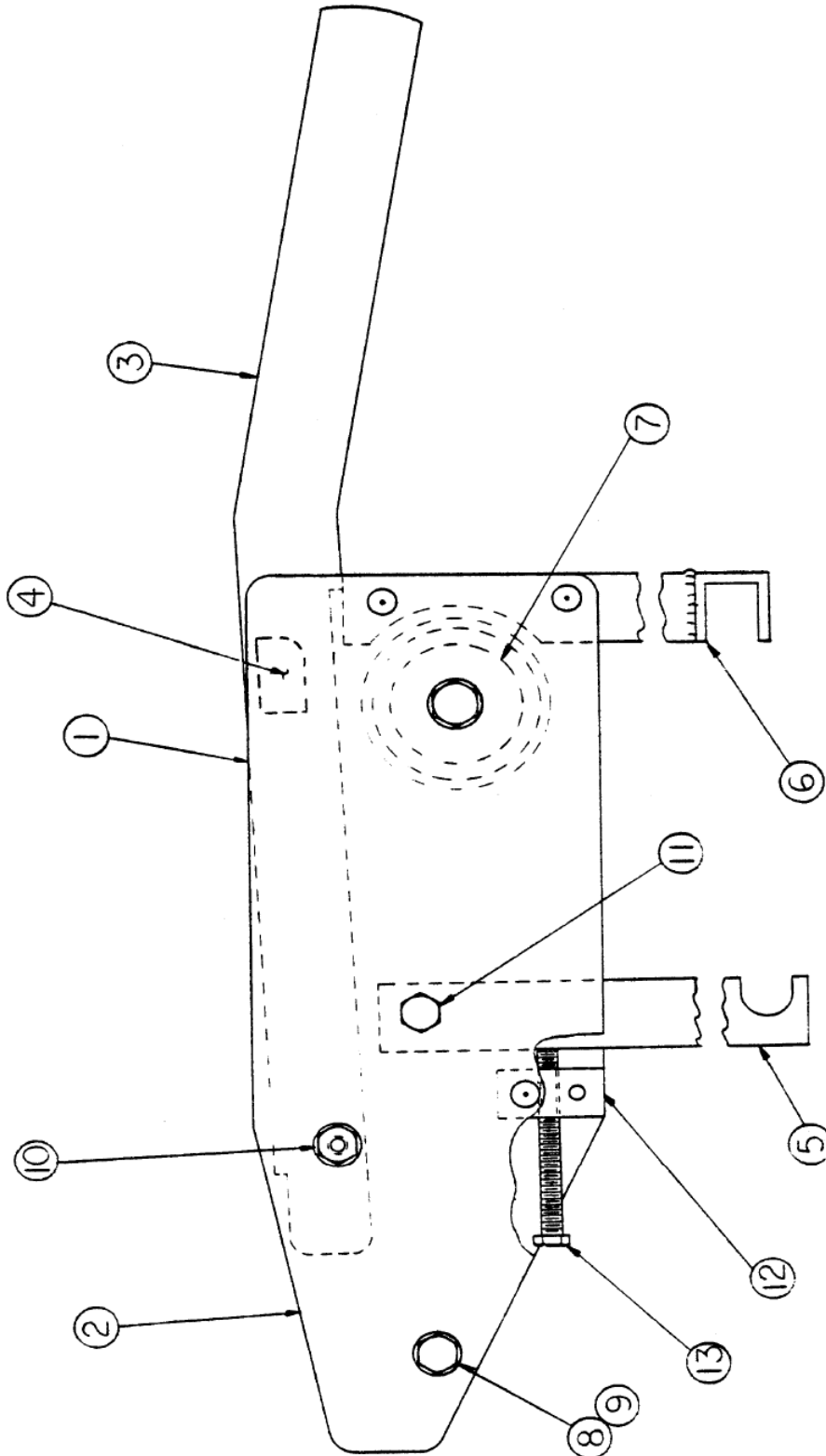
WATER RUDDER HANDLE ASSEMBLY CESSNA 206



PARTS MANUAL
WIPLINE 3730 & 3900 FLOATS ON CESSNA 185 & 206 SERIES

ITEM	QTY	PART NO.	PART DESCRIPTION
1	1	3A08000-005	ASSEMBLY-RETRACT HANDLE AND BRACKET
2	1	3A08414-001	HANDLE
3	1	3A08154-001	CABLE SAVER
4	1	3A08003-016	BASE-RIGHT
5	1	3A08003-015	BASE-LEFT
6	1	3A08613-001	SPACER
7	2	3A08702-006	BOLT-HANDLE HINGE
	4	NAS1149DO316J	WASHER
	2	NAS679A3W	NUT
8	1	AN3-10A	BOLT-HANDLE STOP
	2	NAS1149DO316J	WASHER
	1	MS21044N3	NUT
9	1	MS20219-2	PULLEY
	1	AN4-10A	BOLT-ATTACH
	4	NAS1149DO416J	WASHER
	1	MS21044N4	NUT
10	1	AN3-10A	BOLT
	2	NAS1149DO416J	WASHER
	1	MS21044N4	NUT
11	1	MS24665-302	COTTER-PIN

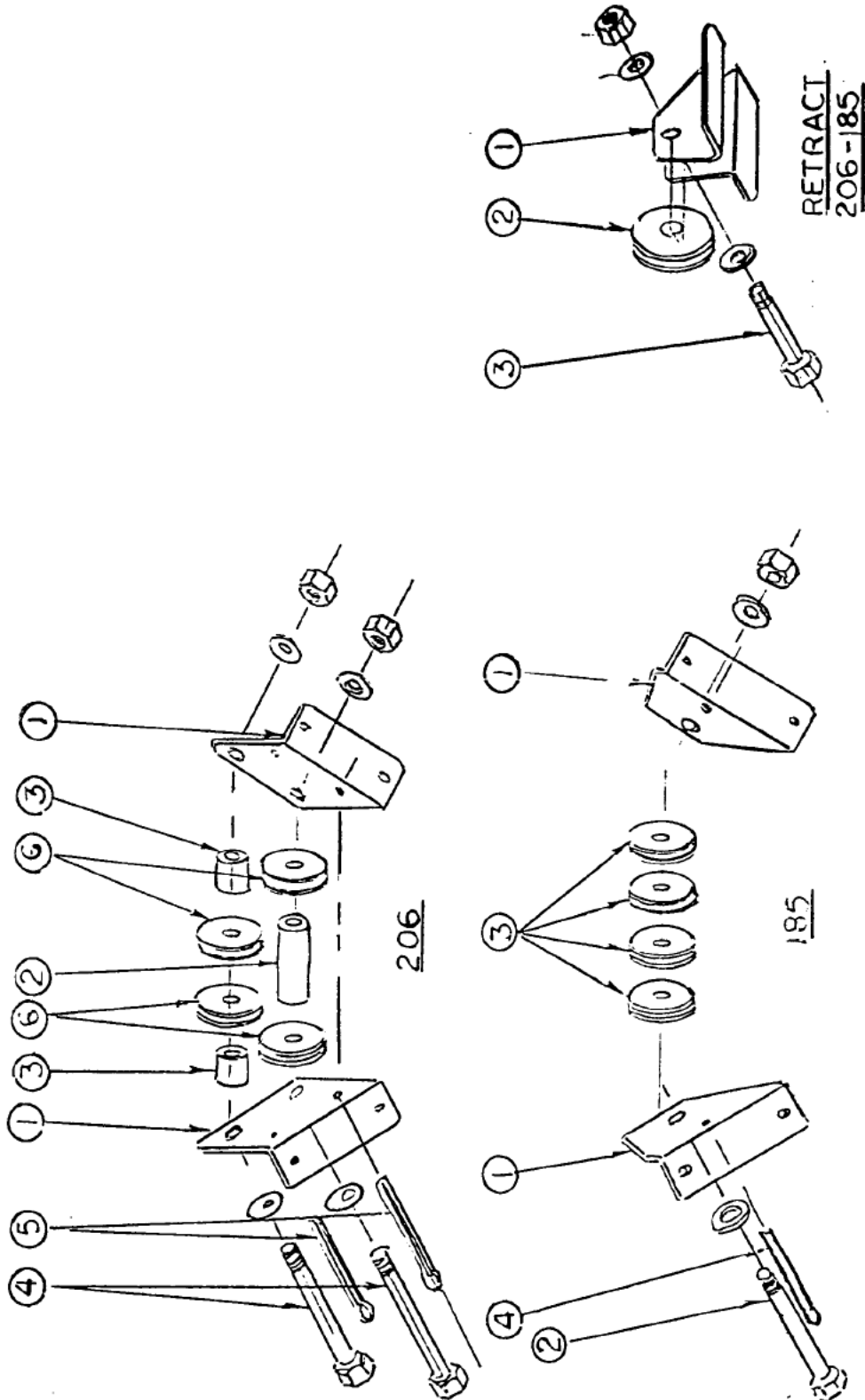
WATER RUDDER HANDLE ASSEMBLY CESSNA 185



PARTS MANUAL
WIPLINE 3730 & 3900 FLOATS ON CESSNA 185 & 206 SERIES

ITEM	QTY	PART NO.	PART DESCRIPTION
1	1	3A08000-006	ASSEMBLY-RETRACT HANDLE AND BRACKET
2	2	3A08003-017	FRAME
3	1	3A08414-001	HANDLE
4	1	3A08154-001	CABLE SAVER
5	1	3A08415-001	LATCH
6	1	3A08000-007	CHANNEL ASSEMBLY
7	1	MS20219-2B	PULLEY
	1	AN4-10A	BOLT ATTACH
	4	NAS1149DO416J	WASHER
	1	MS21044N4	NUT
8	1	3A08613-001	SPACER
9	1	AN3-10A	BOLT-HANDLE STOP
	2	NAS1149DO316J	WASHER
	1	MS21044N3	NUT
10	2	3A08702-006	BOLT-HANDLE HINGE
	4	NAS1149DO316J	WASHER
	2	MS21044N3	NUT
11	1	AN3-10A	BOLT-LATCH
	2	NAS1149DO316J	WASHER
	1	MS21044N3	NUT
12	1	3A08061-003	BLOCK-TENSION ADJUSTING
13	1	1032 X 2" SS	SCREW-ADJUSTING (HEX) S.S.

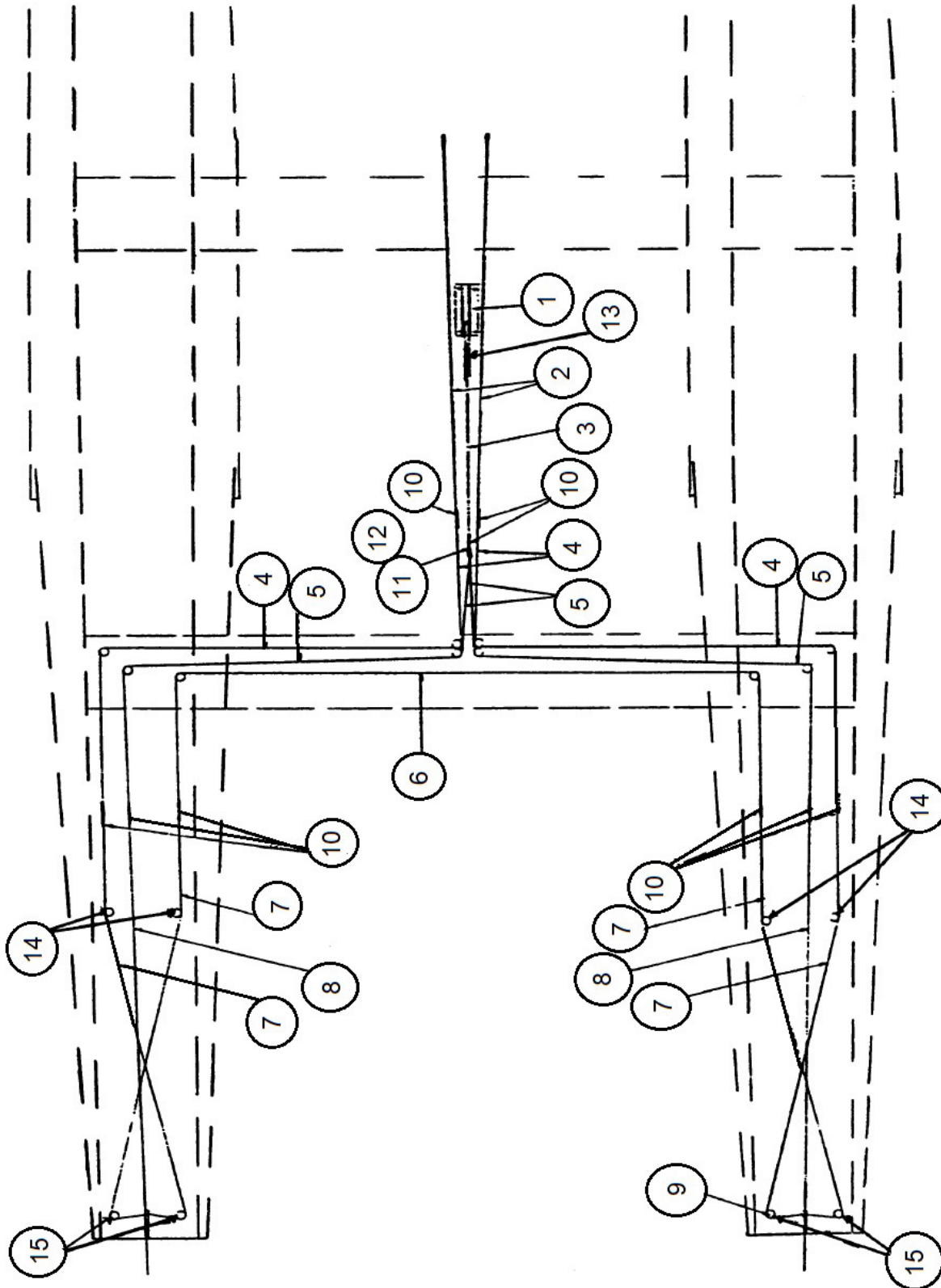
PULLEY BRACKETS ASSEMBLY - FUSELAGE BELLY



PARTS MANUAL
WIPLINE 3730 & 3900 FLOATS ON CESSNA 185 & 206 SERIES

ITEM	QTY	PART NO.	PART DESCRIPTION
-	1	3A08000-055	PULEY BRACKET ASSEMBLY (206)
1	2	3A08357-033	BRACKET
2	1	3A08416-002	SPACER-LONG
3	2	3A08416-001	SPACER-SHORT
4	2	AN4-23A	BOLT
	4	NAS1149DO463J	WASHER
	2	MS21044N4	NUT
5	2	MS24665-379	COTTER PIN
6	4	MS20219-2	PULLEY
	1	3A08000-056	PULLEY BRACKET ASSEMBLY (185)
7	2	3A08357-034	BRACKET
8	1	AN4-23A	BOLT
	2	NAS1149DO463J	WASHER
	1	MS21044N4	NUT
9	4	MS20219-2	PULLEY
	1	3A08000-057	PULLEY BRACKET ASSEMBLY-RETRACT (206-185)
10	1	3A08151-046	BRACKET
11	1	MS20219-2	PULLEY
12	1	AN4-10A	BOLT
	2	NAS1149DO463J	WASHER
	1	MS21044N4	NUT

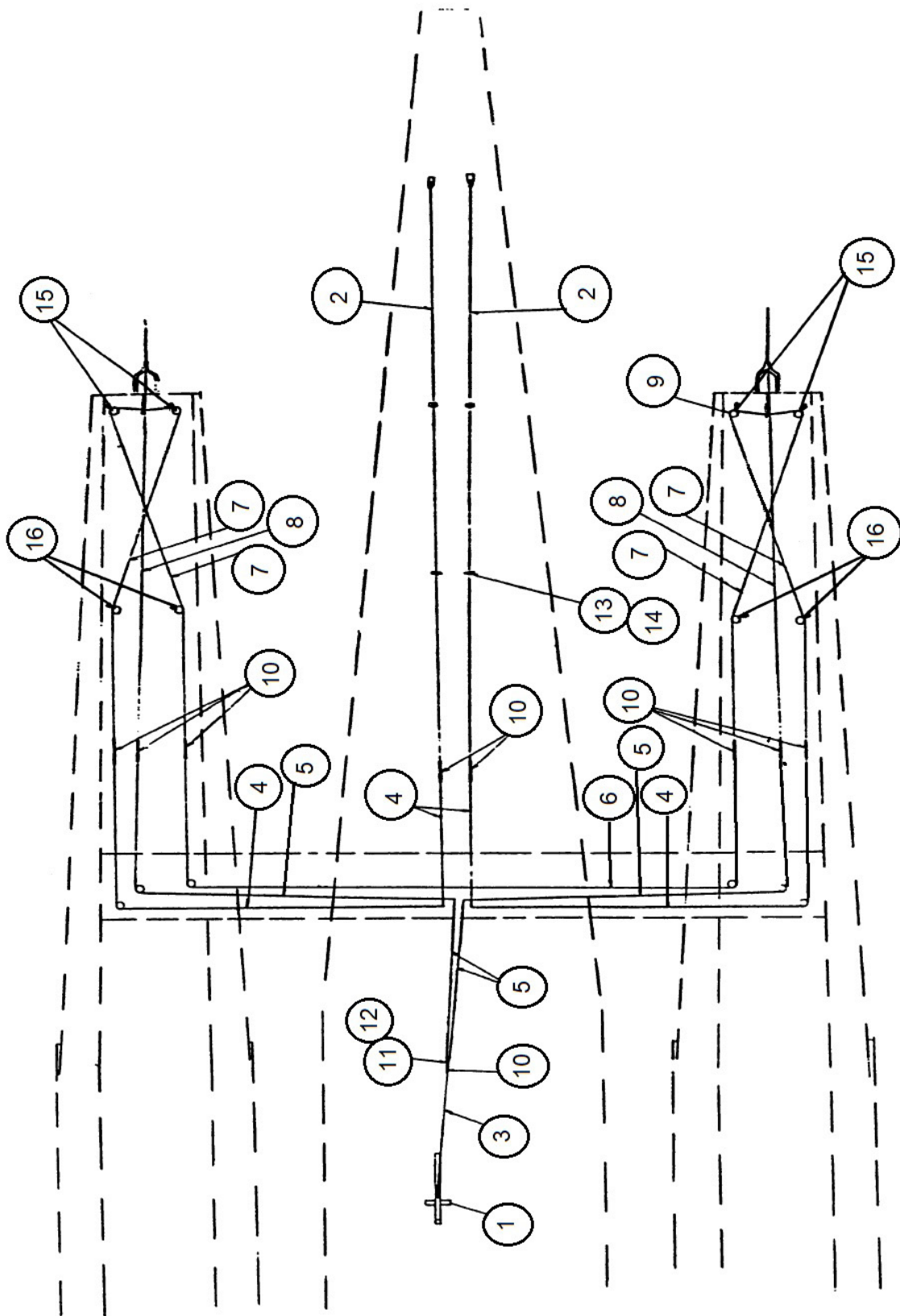
CABLE SYSTEM CESSNA 206



PARTS MANUAL
WIPLINE 3730 & 3900 FLOATS ON CESSNA 185 & 206 SERIES

ITEM	QTY	PART NO.	PART DESCRIPTION
1	1	3A08000-005	ASSEMBLY-WATER RUDDER RETRACTION
2	2	3A08000-002	ASSEMBLY-STEERING CABLE-BELLY
	4	3/32 X 41.5"	CABLE (7 X 19 MIL-C-5424)
	4	MS20664C3	BALL
	4	NAS1453KS	FORK (MACWHYTE)
	4	MS21260S3LH	CABLE END (L. HAND)
3	1	3A08000-045	ASSEMBLY-RETRACT CABLE-BELLY
	1	3/32 X 41.5"	CABLE (7 X 19 MIL-C-5424)
	1	MS20664C3	BALL
	1	MS21260S3LH	CABLE END (L. HAND)
4	2	3A08000-046	ASSEMBLY-STEERING CABLE- (SPREADER BAR)
	4	3/32 X 110.5	CABLE (7 X 19 MIL-C-5424)
	8	MS21260S3RH	CABLE END (R. HAND)
5	2	3A08000-047	ASSEMBLY-RETRACT CABLE (SPREADER BAR)
	4	3/32 X 110.5	CABLE (7 X 19 MIL-C-5424)
	4	MS20664C3	BALL
	4	NAS1453KS	FORK (MACWHYTE)
	4	MS21260S3LH	CABLE END (R. HAND)
6	1	3A08000-048	ASSEMBLY-BALANCE CABLE (SPREADER BAR)
	1	3/32 X 112.5	CABLE (7 X 19 MIL-C-5424)
	2	MS21260S3LH	CABLE END (R. HAND)
7	4	3A08000-049	ASSEMBLY-STEERING CABLE-FLOAT
	8	3/32 X 70.5	CABLE (7 X 19 MIL-C-5424)
	8	MS20664C3	BALL
	8	NAS1453KS	FORK (MACWHYTE)
	8	MS21260S3LH	CABLE END (L. HAND)
8	2	3A08000-050	ASSEMBLY-RETRACT CABLE-FLOAT
	4	3/32 X 75.5	CABLE (7 X 19 MIL-C-5424)
	4	MS20664C3	BALL
	4	NAS1453KS	FORK (MACWHYTE)
	4	MS21260S3LH	CABLE END
9	1	MS20219-2	PULLEY
10	9	MS21251B3S	BARREL-TURNBUCKLE
11	1	MS21252-3RL	BOLT-MODIFIED-RETRACT CABLE
12	1	AN3-4A	BOLT-RETRACT FORK ATTACH
	1	NAS679-A3W	NUT
13	1	0742016-4	SPRING (CESSNA)
14	4	3A01151-010	PULLEY BRKT.
15	4	3A01000-004	PULLEY BRKT.

CABLE SYSTEM CESSNA 185



PARTS MANUAL
WIPLINE 3730 & 3900 FLOATS ON CESSNA 185 & 206 SERIES

ITEM	QTY	PART NO.	PART DESCRIPTION
1	1	3A08000-006	ASSEMBLY-WATER RUDDER RETRACTION
2	2	3A08000-001	ASSEMBLY-STEERING CABLE-BELLY
	2	3/32 X 114.75	CABLE (7 X 19 MIL-C-5424)
	2	NAS1453K3	FORK (MACWHYTE)
	2	MS20664C3	BALL
	2	MS21260S3LH	CABLE END (L. HAND)
	4	6A08601-003	CABLE GUIDES
3	1	3A08000-051	ASSEMBLY-RETRACT CABLE-BELLY
	1	3/32 X 48.63	CABLE (7 X 19 MIL-C-5424)
	1	MS20664C3	BALL
	1	MS21260S3LH	CABLE END (L. HAND)
4	2	3A08000-046	ASSEMBLY-STEERING CABLE (SPREADER BAR)
	2	3/32 X 110.5	CABLE (7 X 19 MIL-C-5424)
	4	MS21260S3LH	CABLE END (R. HAND)
5	2	3A08000-047	ASSEMBLY-RETRACT CABLE (SPREADER BAR)
	2	3/32 X 110.5	CABLE (7 X 19 MIL-C-5424)
	2	MS20664C3	BALL
	2	NAS1453K3	FORK (MACWHYTE)
	2	MS21260S3LH	CABLE END (R. HAND)
6	1	3A08000-048	ASSEMBLY-BALANCE CABLE (SPREADER BAR)
	1	3/32 X 112.5	CABLE (7 X 19 MIL-C-5424)
	2	MS21260S3LH	CABLE END (R. HAND)
7	4	3A08000-049	ASSEMBLY-STEERING CABLE-FLOAT
	4	3/32 X 70.5	CABLE (7 X 19 MIL-C-5424)
	4	MS20664C3	BALL
	4	NAS1453K3	FORK (MACWHYTE)
	4	MS21260S3LH	CABLE END (L. HAND)
8	2	3A08000-050	ASSEMBLY-BALANCE CABLE FLOAT
	2	3/32 X 75.5	CABLE (7 X 19 MIL-C-5424)
	2	MS20664C3	BALL
	2	NAS1453K3	FORK (MACWHYTE)
	2	MS21260S3LH	CABLE END (L. HAND)
9	1	MS20219-2	PULLEY
10	9	MS2125183S	BARREL-TURNBUCKLE
11	1	MS21252-3RL	BOLT-MODIFIED-RETRACT CABLE
12	1	AN3-4A	BOLT-RETRACT FORK ATTACH
	1	NAS679-A3W	NUT
13	4	3A08003-018	HOLDER-CABLE GUIDE
14	8	A6-75	RIVNUT
	8	AN526-632R12	SCREW-HOLDER ATTACH
	8	MS35333-37	WASHER-LOCK

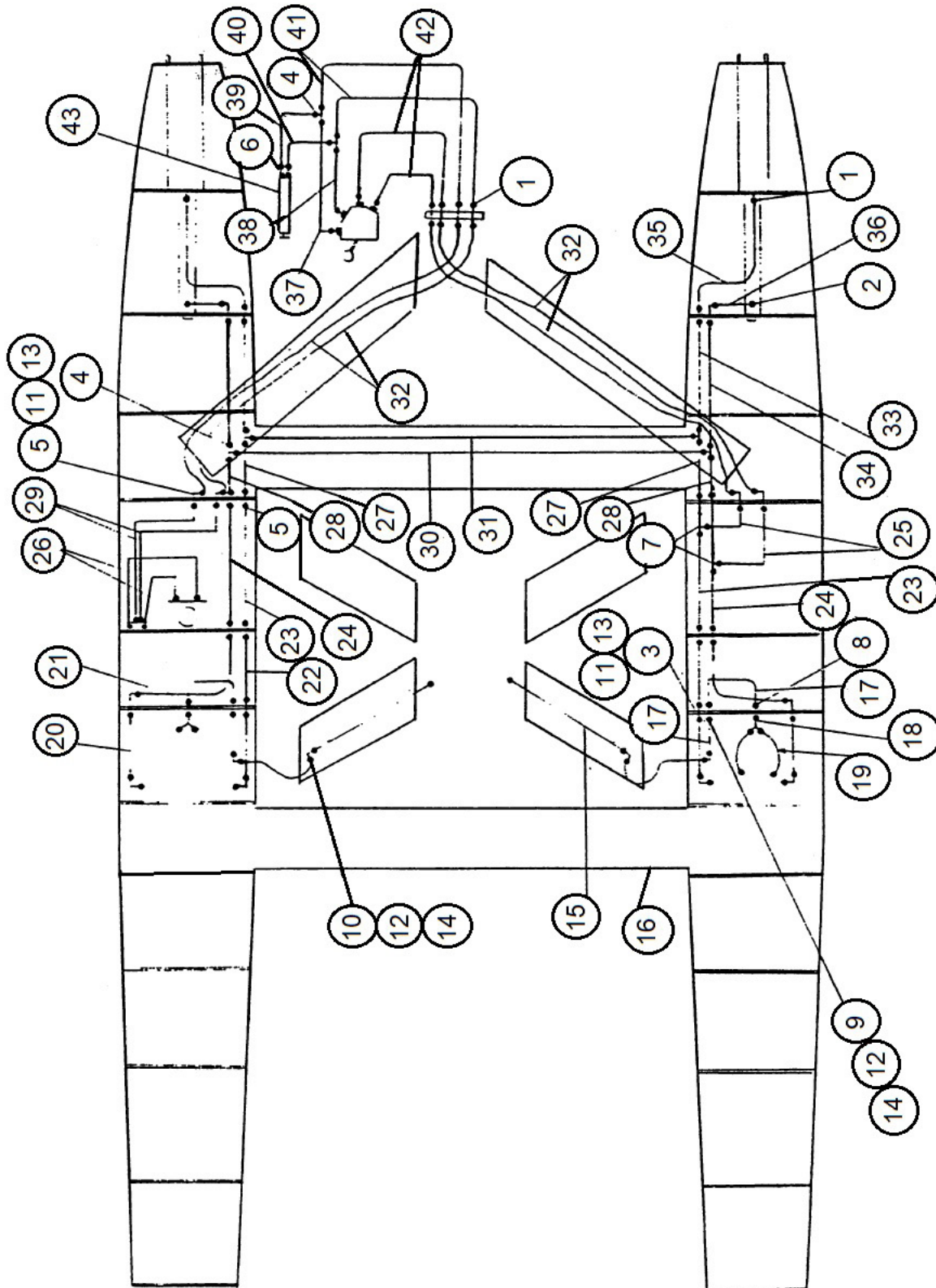
ITEM	QTY	PART NO.	PART DESCRIPTION
	8	3A08605-001	CABLE GUIDE
15	4	3A01000-004	PULLEY BRKT.
16	4	3A01151-010	PULLEY BRKT.

SECTION 9 HYDRAULICS

CONTENTS

HYDRAULIC SYSTEM CESSNA 206	76
HYDRAULIC PUMP INSTALLATION CESSNA 206	80
HYDRAULIC SYSTEM CESSNA 185	82
HYDRAULIC PUMP INSTALLATION CESSNA 185	87
HYDRAULIC PUMP ASSEMBLY	90

HYDRAULIC SYSTEM CESSNA 206



PARTS MANUAL
WIPLINE 3730 & 3900 FLOATS ON CESSNA 185 & 206 SERIES

ITEM	QTY	PART NO.	PART DESCRIPTION
1	10	AN816-4D	FITTING-(#4 FLARE TO 1/8" PIPE)
2	7	MS20822-4D	FITTING (#4 `90 ' FLARE TO 1/8 PIPE)
3	10	AN832-4D	FITTING (#4 STRAIGHT BULKHEAD)
4	6	AN824-4D	FITTING (#4 FLARED TEE)
5	16	AN833-4D	FITTING (#4 `90 ' BULKHEAD ELBOW)
6	7	MS20823-4D	FITTING (#4 `45 ' FLARE TO 1/8 PIPE)
7	2	AN804-4D	FITTING (#4 BULKHEAD TEE)
8	2	AN816-3D	FITTING (#3 FLARE TO 1/8 PIPE)
9	2	AN832-3D	FITTING (#3 STRAIGHT BULKHEAD)
10	4	AN833-3D	FITTING (#3 `90 ' BULKHEAD ELBOW)
11	36	NAS1149DO763J	WASHER (#4 BULKHEAD FITTINGS)
12	26	NAS1149DO663J	WASHER (#3 BULKHEAD FITTINGS)
13	26	AN924-4D	NUT (#4 BULKHEAD FITTINGS)
14	6	AN924-3D	NUT (#3 BULKHEAD FITTINGS)
15	2	3A04000-008	ASSEMBLY-BRAKE LINE-(REAR STRUT)
	4	AN818-3D	NUT
	4	AN819-3D	SLEEVE
	2	.035 X 3/16 X 42"	LINE (ALUMINUM)
16	2	3A04000-010	ASSEMBLY-BRAKE LINE-(R. STRUT TO DECK)
	4	AN818-3D	NUT
	4	AN819-3D	SLEEVE
	2	.035 X 3/16 X 8"	LINE (ALUMINUM)
17	4	3A04000-006	ASSEMBLY-BRAKE LINE
	8	AN818-3D	NUT
	8	MS20819-3D	SLEEVE
	4	.035 X 3/16 X 22"	LINE (ALUMINUM)
18	2	3A04000-005	ASSEMBLY-FITTING-BRAKE LINE-WHEEL WELL
19	4	3A04000-011	ASSEMBLY-BRAKE LINE-AEROQUIP (10.5")
	8	63-190600-4	FITTING-AEROQUIP
	4	2807-4	LINE-AEROQUIP
20	4	3A09000-006	ASSEMBLY-LINE-CYL. TO BULKHEAD (20.25")
	8	AN818-4D	NUT
	8	MS20819-4D	SLEEVE
	4	.035 X 1/4 X 20.20"	LINE (ALUMINUM)
21	2	3A09000-007	ASSEMBLY-LINE-BULK'HD TO BULK'HD (20.88")
	4	AN818-4D	NUT
	4	MS20819-4D	SLEEVE
	2	.035 X 1/4 X 20.88	LINE (ALUMINUM)
22	2	3A09000-005	ASSEMBLY-LINE-BULK'HD TO BULK'HD (12.5")
	4	AN818-4D	NUT
	4	MS20819-4D	SLEEVE

PARTS MANUAL
WIPLINE 3730 & 3900 FLOATS ON CESSNA 185 & 206 SERIES

ITEM	QTY	PART NO.	PART DESCRIPTION
	2	.035 X 1/4 X 12.5"	LINE (ALUMINUM)
23	2	3A09000-009	ASSEMBLY-LINE-BULK'HD TO BULK'HD (27")
	4	AN818-4D	NUT
	4	MS20819-4D	SLEEVE
	2	.035 X 1/4 X 27"	LINE (ALUMINUM)
24	2	3A09000-010	ASSEMBLY-LINE-BULK'HD TO BULK'HD (28")
	4	AN818-4D	NUT
	4	MS20819-4D	SLEEVE
	2	.035 X 1/4 X 28"	LINE (ALUMINUM)
25	2	3A09000-004	ASSEMBLY-LINE-TEE TO DECK FITTING (10")
	4	AN818-4D	NUT
	4	MS20819-4D	SLEEVE
	2	.035 X 1/4 X 10"	LINE (ALUMINUM)
26	2	3A09000-018	ASSEMBLY-LINE-PUMP TO CHECK VALVE (14.5")
	4	63-190600-4	FITTING-AEROQUIP
	2	2807-4	LINE-AEROQUIP (14.5")
27	2	3A09000-001	ASSEMBLY-LINE-BULKHEAD TO TEE (2.63")
	4	AN818-4D	NUT
	4	MS20819-4D	SLEEVE
	2	.035 X 1/4 X 2.63"	LINE (ALUMINUM)
28	2	3A09000-002	ASSEMBLY-LINE-BULKHEAD TO TEE (3.88")
	4	AN818-4D	NUT
	4	MS20819-4D	SLEEVE
	2	.035 X 1/4 X 3.88"	LINE (ALUMINUM)
29	2	3A09000-021	ASSEMBLY-LINE-CHECK VALVE TO F. DECK (26")
	4	63-190600-4	FITTING-AEROQUIP
	2	2807-4	LINE-AEROQUIP (26")
30	1	3A09000-052	ASSEMBLY-LINE-SPREADER BAR (94")
	2	AN818-4D	NUT
	2	MS20819-4D	SLEEVE
	1	.035 X 1/4 X 94"	LINE (ALUMINUM)
	1	1/4 X 90"	TUBE-P.V.C. (SHRINK)
31	1	3A09000-053	ASSEMBLY-LINE-SPREADER BAR (92")
	2	AN818-4D	NUT
	2	MS20819-4D	SLEEVE
	1	.035 X 1/4 X 92"	LINE (ALUMINUM)
	1	1/4 X 90"	TUBE-P.V.C. (SHRINK)
32	4	3A09000-023	ASSEMBLY-LINE-FRONT STRUT (64")
	8	63-190600-4	FITTING-AEROQUIP
	4	2807-4	LINE-AEROQUIP (64")
33	2	3A09000-009	ASSEMBLY-LINE-TEE TO BULKHEAD (27")

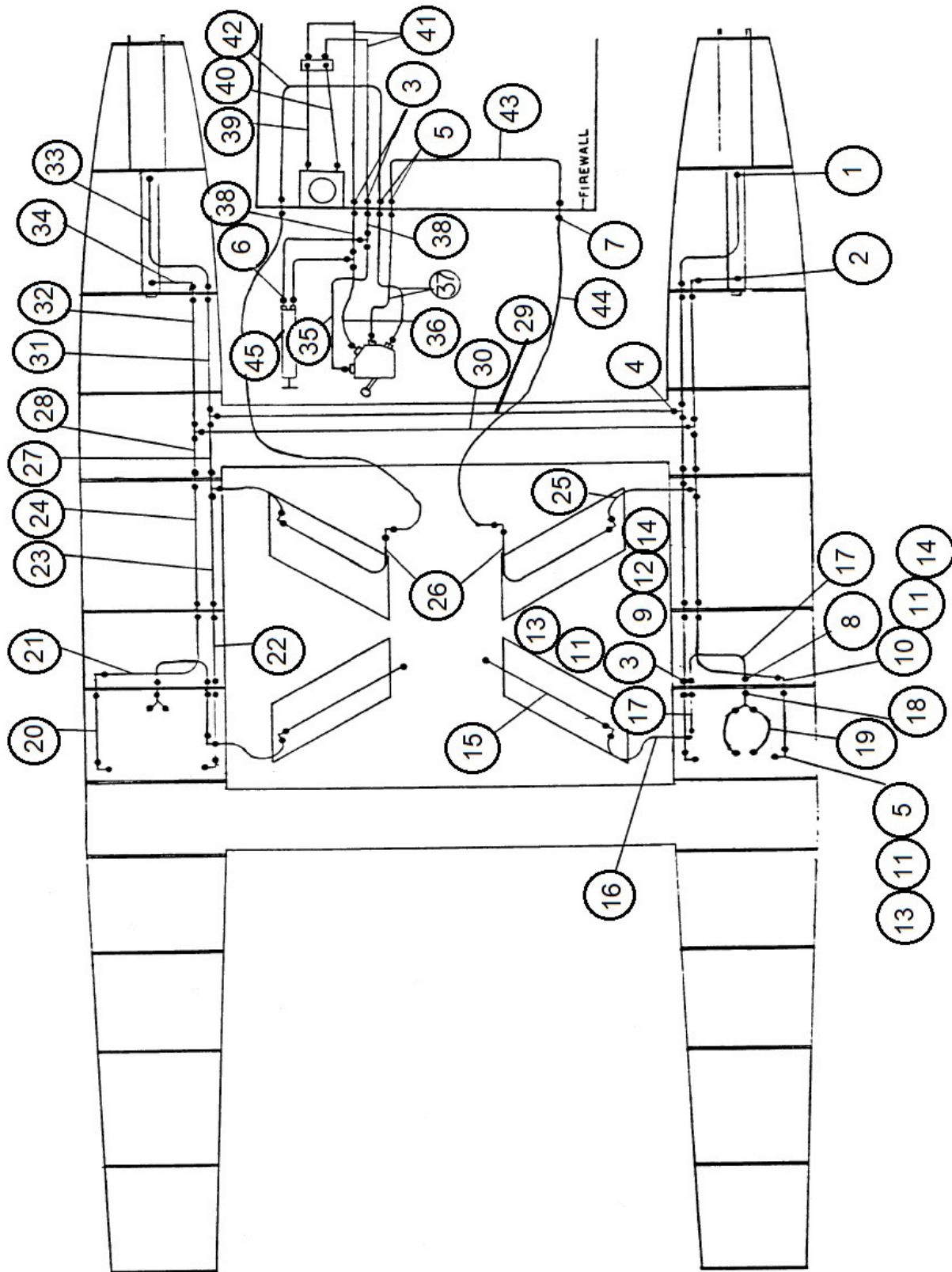
PARTS MANUAL
WIPLINE 3730 & 3900 FLOATS ON CESSNA 185 & 206 SERIES

ITEM	QTY	PART NO.	PART DESCRIPTION
	4	AN818-4D	NUT
	4	MS208194D	SLEEVE
	2	.035 X 1/4 X 27"	LINE (ALUMINUM)
34	2	3A09000-008	ASSEMBLY-LINE-TEE TO BULKHEAD (26")
	4	AN818-4D	NUT
	4	MS208194D	SLEEVE
	2	.035 X 1/4 X 26"	LINE (ALUMINUM)
35	2	3A09000-009	ASSEMBLY-LINE-BULKHEAD TO F. CYL, (27")
	4	AN818-4D	NUT
	4	MS208194D	SLEEVE
	2	.035 X 1/4 X 27"	LINE (ALUMINUM)
36	2	3A09000-004	ASSEMBLY-LINE-BULKHEAD TO R. CYL, (10")
	4	AN818-4D	NUT
	4	MS208194D	SLEEVE
	2	.035 X 1/4 X 10"	LINE (ALUMINUM)
37	1	3A09000-012	ASSEMBLY-LINE-VALVE TO TEE (18.5")
	1	63-190600-4	FITTING-AEROQUIP
	1	190772-4S	FITTING-AEROQUIP (90)
	1	2807-4	LINE-AEROQUIP (18.5")
38	1	3A09000-013	ASSEMBLY-LINE-VALVE TO TEE (17")
	1	63-190600-4	FITTING-AEROQUIP
	1	190773-4S	FITTING-AEROQUIP (45)
	1	2807-4	LINE-AEROQUIP (17")
39	1	3A09000-015	ASSEMBLY-LINE-HAND PUMP TO TEE (22")
	2	63-190600-4	FITTING-AEROQUIP
	1	2807-4	LINE-AEROQUIP (22")
40	1	3A09000-014	ASSEMBLY-LINE-HAND PUMP TO TEE (21")
	2	63-190600-4	FITTING-AEROQUIP
	1	2807-4	LINE-AEROQUIP (21")
41	2	3A09000-016	ASSEMBLY-LINE-TEE TO SUPPORT (28")
	4	63-190600-4	FITTING-AEROQUIP
	2	2807-4	LINE-AEROQUIP (28")
42	2	3A09000-017	ASSEMBLY-LINE-VALVE TO SUPPORT (45")
	4	63-190600-4	FITTING-AEROQUIP
	2	2807-4	LINE-AEROQUIP (45")
43	1	631875	ASSEMBLY-EMERGENCY HAND PUMP
	1	3A09190-001	PLATE-MOUNTING-HAND PUMP
44	2	3A09000-019	ASSY. – RETRACTOR PUMP (12") NOT PICTURED
	2	3A09000-020	ASSY. – RETRACTOR PUMP (9") NOT PICTURED
45	2	3A09000-118	ASSY. PUMP TO DECK (34") NOT PICTURED (W/O EXTERNAL RELIEF VALVE)

PARTS MANUAL
WIPLINE 3730 & 3900 FLOATS ON CESSNA 185 & 206 SERIES

ITEM	QTY	PART NO.	PART DESCRIPTION
1	1	3A09000-026	ASSEMBLY-MOTOR AND PUMP (24V)
2	1	GPP1250-23	PRESSURE SWITCH (1000 PSI)
3	1	S1580A1	SOLENOID (24V)
	1	S1579A2	SOLENOID (12V)
	2	AN4-5A	BOLT-ATTACH
	4	NAS1149FO636P	WASHER
	2	MS21044N4	NUT
4	1	3A1000-002	ASSEMBLY-DIODE
5	1	AGS 1/2	FUSEHOLDER
	1	AGS 1/2	FUSE
6	1	3A09005-023	BRACKET-MOTOR MOUNT
	2	AN4-5A	BOLT-ATTACH
	4	NAS1149FO463P	WASHER
	2	MS21044N4	NUT
7	2	3A09000-018	ASSEMBLY-LINE-PUMP TO CHECK VALVE (14.5")
	4	63-190600-4	FITTING-AEROQUIP
	2	2807-4	LINE-AEROQUIP (14.5")
8	2	3A09000-021	ASSEMBLY-LINE-CHECK VALVE TO TOP DECK (26")
	4	63-190600-4	FITTING-AEROQUIP
	2	2807-4	LINE-AEROQUIP (26")
9	2	6A11274-002	SPACER-MOTOR AND BRACKET
10	2	AN833-4D	FITTING
	2	NAS1149DO763J	WASHER
	2	AN924-4D	NUT
11	1	3A09000-022	ASSEMBLY-RELIEF VALVE
	1	3A09214-001	MANIFOLD
	1	3A09258-002	HOLDER- SPRING-PRESSURE RELIEF
	1	928	ASSEMBLY-RELIEF VALVE (OILDYNE)
	1	410505-0	SPRING
	1	362195	SEAT
	1	361239	PLUNGER
	1	4140494	"O" RING
	1	401273	"O" RING
	2	AN816-4D	NIPPLE
	2	AN816-4-4D	NIPPLE
	2	AN932D3	PLUG
	2	AN526-1032R6	SCREW-ATTACH
	2	MS35333-39	WASHER

HYDRAULIC SYSTEM CESSNA 185



PARTS MANUAL
WIPLINE 3730 & 3900 FLOATS ON CESSNA 185 & 206 SERIES

ITEM	QTY	PART NO.	PART DESCRIPTION
1	10	AN816-4D	FITTING (#4 FLARE TO 1/8" PIPE)
2	7	MS20822-4D	FITTING (#4 `90 ' FLARE TO 1/8" PIPE)
3	10	AN832-4D	FITTING (#4 STRAIGHT BULKHEAD)
4	6	AN824-4D	FITTING (#4 FLARED TEE)
5	16	AN833-4D	FITTING (#4 `90 ' BULKHEAD ELBOW)
6	7	MS20823-4D	FITTING (#4 `45 ' FLARED TO 1/8" PIPE)
7	2	AN804-4D	FITTING (#4 BULKHEAD TEE)
8	2	AN816-3D	FITTING (#3 FLARE TO 1/8" PIPE)
9	2	AN832-3D	FITTING (#3 STRAIGHT BULKHEAD)
10	4	AN833-3D	FITTING (#3 `90 ' BULKHEAD ELBOW)
11	36	NAS1149DO763J	WASHER (#4 BULKHEAD FITTING)
12	26	NAS1149DO663J	WASHER (#3 BULKHEAD FITTING)
13	26	AN924-4D	NUT (#4 BULKHEAD FITTING)
14	6	AN924-3D	NUT (#3 BULKHEAD FITTING)
15	2	3A04000-007	ASSEMBLY-BRAKE LINE-REAR STRUT (68")
	4	AN818-3D	NUT
	4	AN819-3D	SLEEVE
	2	.035 X 3/16 X 68"	LINE (ALUMINUM)
16	2	3A04000-009	ASSEMBLY-BRAKE LINE (4.5") R. STRUT TO DECK
	4	AN818-3D	NUT
	4	AN819-3D	SLEEVE
	2	.035 X 3/16 X 4.5"	LINE (ALUMINUM)
17	4	3A04000-006	ASSEMBLY- BRAKE LINE
	8	AN818-3D	NUT
	8	MS20819-4D	SLEEVE
	4	.035 X 3/16 X 22"	LINE (ALUMINUM)
18	2	3A04000-005	ASSEMBLY-FITTING-BRAKE LINE-WHEEL WELL
19	4	3A04000-011	ASSEMBLY- BRAKE LINE-AEROQUIP (10.5")
	8	63-190600-4	FITTING (AEROQUIP)
	4	2807-4	LINE (AEROQUIP) (10.5)
20	4	3A09000-006	ASSEMBLY LINE-CYLINDER TO BULKHEAD (20.25")
	8	AN818-4D	NUT
	8	MS20819-4D	SLEEVE
	4	.035 X 1/4 X 20.25"	LINE (ALUMINUM)
21	2	3A09000-007	ASSEMBLY LINE-BULKHEAD TO BULKHEAD (20.88")
	4	AN818-4D	NUT
	4	MS20819-4D	SLEEVE
	2	.035 X 1/4 X 20.88"	LINE (ALUMINUM)
22	2	3A09000-005	ASSEMBLY LINE-BULKHEAD TO BULKHEAD (12.5")
	4	AN818-4D	NUT
	4	MS20819-4D	SLEEVE

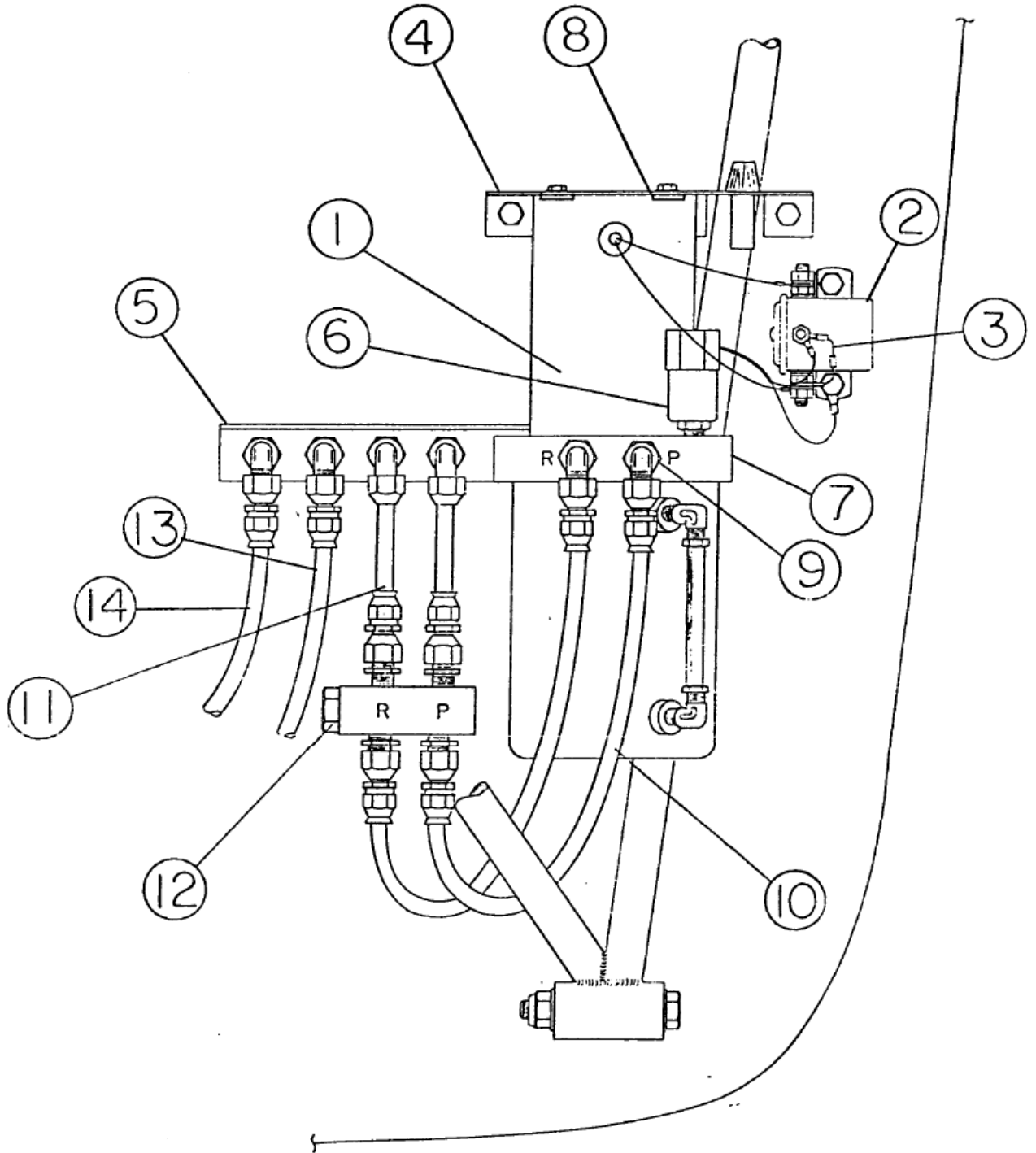
ITEM	QTY	PART NO.	PART DESCRIPTION
	2	.035 X 1/4 X 12.5"	LINE (ALUMINUM)
23	2	3A09000-009	ASSEMBLY LINE-BULKHEAD TO BULKHEAD (27")
	4	AN818-4D	NUT
	4	MS20819-4D	SLEEVE
	2	.035 X 1/4 X 27"	LINE (ALUMINUM)
24	2	3A09000-010	ASSEMBLY LINE-BULKHEAD TO BULKHEAD (28")
	4	AN818-4D	NUT
	4	MS20819-4D	SLEEVE
	2	.035 X 1/4 X 28"	LINE (ALUMINUM)
25	2	3A09000-003	ASSEMBLY LINE-ELBOW TO DECK FITTING (5.5")
	4	AN818-4D	NUT
	4	MS20819-4D	SLEEVE
	2	.035 X 1/4 X 5.5"	LINE (ALUMINUM)
26	2	3A09000-011	ASSEMBLY LINE-FRONT STRUT (42")
	4	AN818-4D	NUT
	4	MS20819-4D	SLEEVE
	2	.035 X 1/4 X 42"	LINE (ALUMINUM)
27	2	3A09000-001	ASSEMBLY LINE-BULKHEAD TO TEE (2.63")
	4	AN818-4D	NUT
	4	MS20819-4D	SLEEVE
	2	.035 X 1/4 X 2.63"	LINE (ALUMINUM)
28	2	3A09000-002	ASSEMBLY LINE-BULKHEAD TO TEE (3.88")
	4	AN818-4D	NUT
	4	MS20819-4D	SLEEVE
	2	.035 X 1/4 X 3.88"	LINE (ALUMINUM)
29	1	3A09000-052	ASSEMBLY LINE-SPREADER BAR (94")
	2	AN818-4D	NUT
	2	MS20819-4D	SLEEVE
	1	.035 X 1/4 X 3.88"	LINE (ALUMINUM)
	1	1/4" X 90"	TUBE-P.V.C (SHRINK)
30	1	3A09000-053	ASSEMBLY LINE-SPREADER BAR (92")
	2	AN818-4D	NUT
	2	MS20819-4D	SLEEVE
	1	.035 X 1/4 X 92"	LINE (ALUMINUM)
	1	1/4" X 90"	TUBE-P.V.C (SHRINK)
31	2	3A09000-009	ASSEMBLY LINE-TEE TO BULKHEAD (27")
	4	AN818-4D	NUT
	4	MS20819-4D	SLEEVE
	2	.035 X 1/4 X 27"	LINE (ALUMINUM)
32	2	3A09000-008	ASSEMBLY LINE-TEE TO BULKHEAD (26")
	4	AN818-4D	NUT

PARTS MANUAL
WIPLINE 3730 & 3900 FLOATS ON CESSNA 185 & 206 SERIES

ITEM	QTY	PART NO.	PART DESCRIPTION
	4	MS20819-4D	SLEEVE
	2	.035 X 1/4 X 26"	LINE (ALUMINUM)
33	2	3A09000-009	ASSEMBLY LINE-BULKHEAD TO FRONT CYL. (27")
	4	AN818-4D	NUT
	4	MS20819-4D	SLEEVE
	2	.035 X 1/4 X 27"	LINE (ALUMINUM)
34	2	3A09000-004	ASSEMBLY LINE-BULKHEAD TO RIGHT CYL. (10")
	4	AN818-4D	NUT
	4	MS20819-4D	SLEEVE
	2	.035 X 1/4 X 10"	LINE (ALUMINUM)
35	1	3A09000-054	ASSEMBLY LINE-VALVE TO TEE (20")
	1	63-190600-4	FITTING-(AEROQUIP)
	1	190772-4S	FITTING-(AEROQUIP) `90 '
	1	2807-4	LINE (AEROQUIP) (20")
36	1	3A09000-055	ASSEMBLY LINE-VALVE TO TEE (18.5")
	1	63-190600-4	FITTING-(AEROQUIP)
	1	190773-4S	FITTING-(AEROQUIP) `45 '
	1	2807-4	LINE (AEROQUIP) (18.5")
37	2	3A09000-056	ASSEMBLY LINE-VALVE TO FIREWALL (32")
	2	63-190600-4	FITTING-(AEROQUIP)
	2	190773-4S	FITTING (AEROQUIP) `45 '
	2	2807-4	LINE (AEROQUIP) (32")
38	2	3A09000-057	ASSEMBLY LINE-TEE TO FIREWALL (12")
	2	63-190600-4	FITTING-(AEROQUIP)
	2	190773-4S	FITTING-(AEROQUIP)
	2	2807-4	LINE (AEROQUIP) (12")
39	1	3A09000-058	ASSEMBLY-LINE-PUMP TO CHECK VALVE (8")
	1	63-190600-4	FITTING-(AEROQUIP)
	1	190773-4S	FITTING-(AEROQUIP) `45 '
	1	2807-4	LINE (AEROQUIP) (8")
40	1	3A09000-063	ASSEMBLY-LINE-PUMP TO CHECK VALVE (6")
	1	63-190600-4	FITTING-(AEROQUIP)
	1	190773-4S	FITTING-(AEROQUIP) `45 '
	1	2807-4	LINE (AEROQUIP) (6")
41	2	3A09000-059	ASSEMBLY-LINE-CHECK VALVE TO FIREWALL (4")
	2	63-190600-4	FITTING-(AEROQUIP)
	2	190773-4S	FITTING-(AEROQUIP) `90 '
	2	2807-4	LINE (AEROQUIP)
42	1	3A09000-060	ASSEMBLY-LINE-FIREWALL TO FIREWALL (11")
	2	63-190600-4	FITTING-(AEROQUIP)
	1	2807-4	LINE (AEROQUIP) (11")

ITEM	QTY	PART NO.	PART DESCRIPTION
43	1	3A09000-061	ASSEMBLY-LINE-FIREWALL TO FIREWALL (34.5")
	2	63-190600-4	FITTING-(AEROQUIP)
	1	2807-4	LINE (AEROQUIP) (34.5")
44	2	3A09000-062	ASSEMBLY-LINE-STRUT TO FIREWALL (18")
	4	63-190600-4	FITTING-(AEROQUIP)
	2	2807-4	LINE (AEROQUIP) (18")
45	1	631875	ASSEMBLY-EMERGENCY HAND PUMP

HYDRAULIC PUMP INSTALLATION CESSNA 185



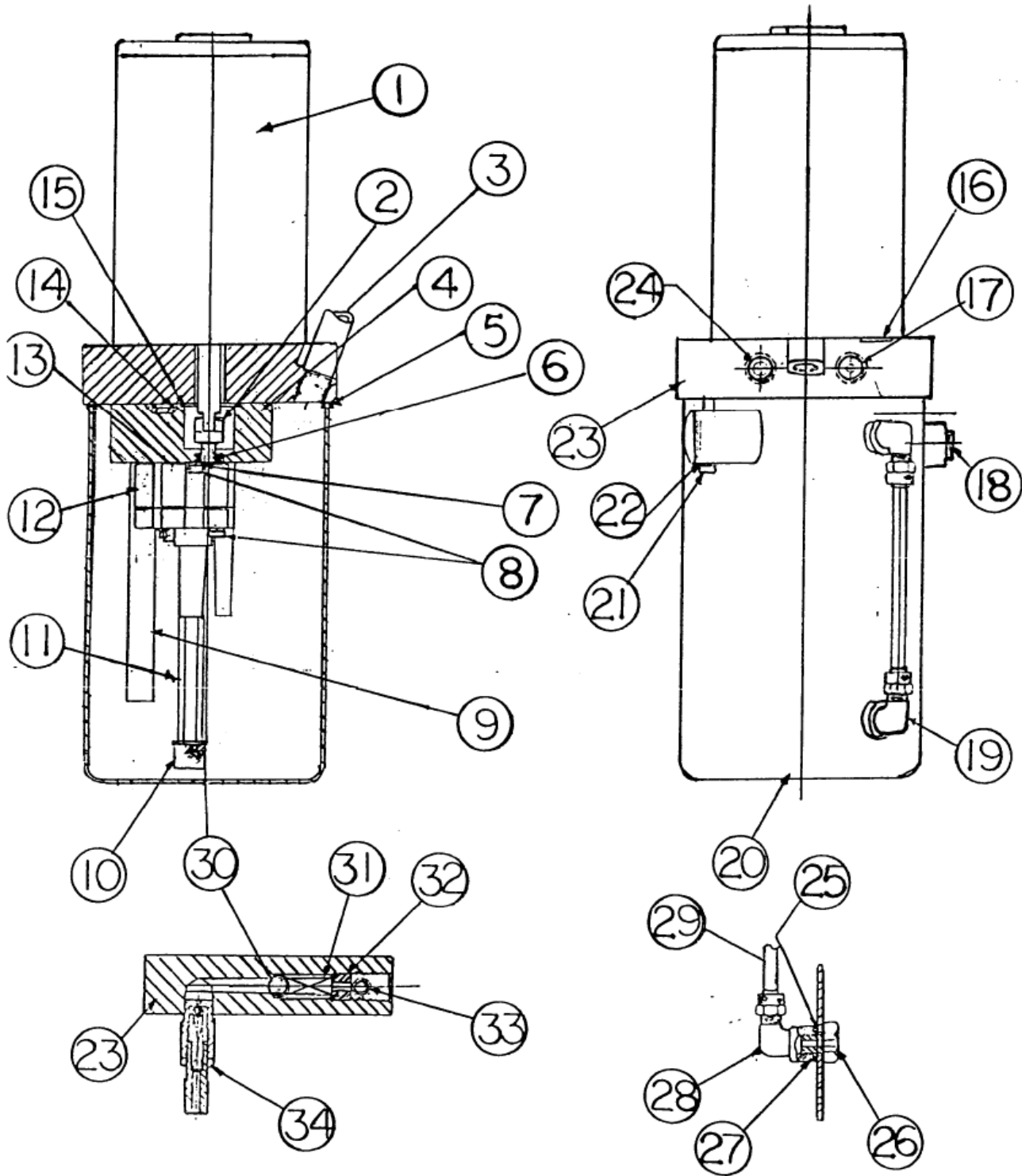
PARTS MANUAL
WIPLINE 3730 & 3900 FLOATS ON CESSNA 185 & 206 SERIES

ITEM	QTY	PART NO.	PART DESCRIPTION
1	1	3A09000-026	ASSEMBLY-PUMP AND MOTOR (24V)
2	1	S1580A1	SOLENOID (24V)
	1	S1579A2	SOLENOID (12V)
	2	AN4-5A	BOLT ATTACH
	4	NAS1149D0363J	WASHER
	2	MS21044N4	NUT
3	1	3A10000-002	ASSEMBLY-DIODE
	1	AGS 1/2	FUSE HOLDER
	1	AGS 1/2	FUSE
4	1	3A09003-011	BRACKET-UPPER PUMP MOUNT
	2	AN3-4A	BOLT-ATTACH
	2	MS35333-42	WASHER
	2	MS27130A25	RIVNUT
5	1	3A09357-032	BRACKET-LOWER PUMP MOUNT
	4	CR3243-4-3	RIVET-CHERRY-ATTACH
6	1	GPP1250-23	PRESSURE SWITCH (1000 PSI)
7	2	3A09270-001	SPACER-PUMP TO FIREWALL
	2	3A09702-012	BOLT-ATTACH-CAP SCREW
8	2	6A11274-002	SPACER-MOTOR AND BRACKET
9	2	AN833-4D	FITTING
	2	NAS1149D0763J	WASHER
	2	AN924-4D	NUT
10	1	3A09000-058	ASSEMBLY-LINE-PUMP TO RELIEF VALVE (8")
	1	3A09000-063	ASSEMBLY-LINE-PUMP TO RELIEF VALVE (6")
11	2	3A09000-059	ASSEMBLY-LINE-RELIEF VALVE TO FIREWALL (4")
12	1	3A09000-022	ASSEMBLY-RELIEF VALVE
	1	3A09214-001	MANIFOLD
	1	3A09258-002	HOLDER-SPRING-PRESSURE RELIEF
	1	928	ASSEMBLY-RELIEF VALVE (OILDYNE)
	1	410505-0	SPRING
	1	362195	SEAT
	1	361239	PLUNGER
	1	410494	"O" RING
	1	401273	"O" RING
	2	AN816-4D	NIPPLE
	2	AN816-4-4D	NIPPLE
	2	AN932D3	PLUG
	2	AN526-1032R6	SCREEN-ATTACH
	2	AN936A10	WASHER
13	1	3A09000-060	ASSEMBLY-HYDRAULIC LINE (11")
14	1	3A09000-061	ASSEMBLY-HYDRAULIC LINE (34")

PARTS MANUAL
WIPLINE 3730 & 3900 FLOATS ON CESSNA 185 & 206 SERIES

ITEM	QTY	PART NO.	PART DESCRIPTION
15	2	3A09000-242	ASSY. LINE (W/O EXTERNAL RELIEF VALVE) NOT PICTURED

HYDRAULIC PUMP ASSEMBLY



* Reference Wipaire drawing 1011065 for alternate part numbers.

PARTS MANUAL
WIPLINE 3730 & 3900 FLOATS ON CESSNA 185 & 206 SERIES

ITEM	QTY	PART NO.	PART DESCRIPTION
-	1	3A09000-026	ASSEMBLY-MOTOR AND PUMP (24V)
1	1	MB56-N1	MOTOR (24V)
	1	MB56-N2	MOTOR (12V)
	1	MB56C902-3 KIT	BEARING & BRUSHES (24 VOLT)
	1	MB56C902-5 KIT	BEARING & BRUSHES (12 VOLT)
2	1	361730	COUPLING
3	1	6A09312-001	FILLER PIPE
	1	6A09706-001	FILTER-BRASS-BREATHER
4	1	361726	SPACER
5	1	410958	RESERVIOR-SEAL
6	1	410512	OIL SEAL
7	4	410410*	LOCKWASHER
8	4	406187	SCREW
9	1	409894	PIPE NIPPLE
10	1	410521*	FILTER
11	1	361843	TUBE EXTENSION
12	1	633383	PUMP ASSEMBLY
13	2	405387	"O" RING
14	2	401273	"O" RING
15	1	404070	"O" RING
16	2	361615	PILOT WASHER
17	1	MS28775-012	"O" RING PRESSURE PORT
18	1	MS27769-3	PIPE PLUG
19	1	361507	SIGHT GAGE ASSY.
20	1	704528	RESERVOIR
21	2	406187	SCREW
22	2	409357	WASHER
23	1	361473	ADAPTOR
24	1	#4 SAE	"O" RING-RETURN PORT
25	1	361049	"O" RING RETAINER
26	2	360824	SCREW-SIGHT GAUGE
27	2	402266	"O" RING
28	2	410330	ELBOW
29	1	361507	TUBE-SIGHT GAUGE
30	1	490405	STEEL BALL
31	1	410462*	SPRING
32	1	409211	LOCKSCREW
33	1	409263	PIPE PLUG
34	1	704520*	RELIEF VALVE-ASSEMBLY
	1	704522	THERMAL RELIEF VALVE (NOT SHOWN)
35	1	631875	EMERGENCY HAND PUMP (NOT SHOWN)

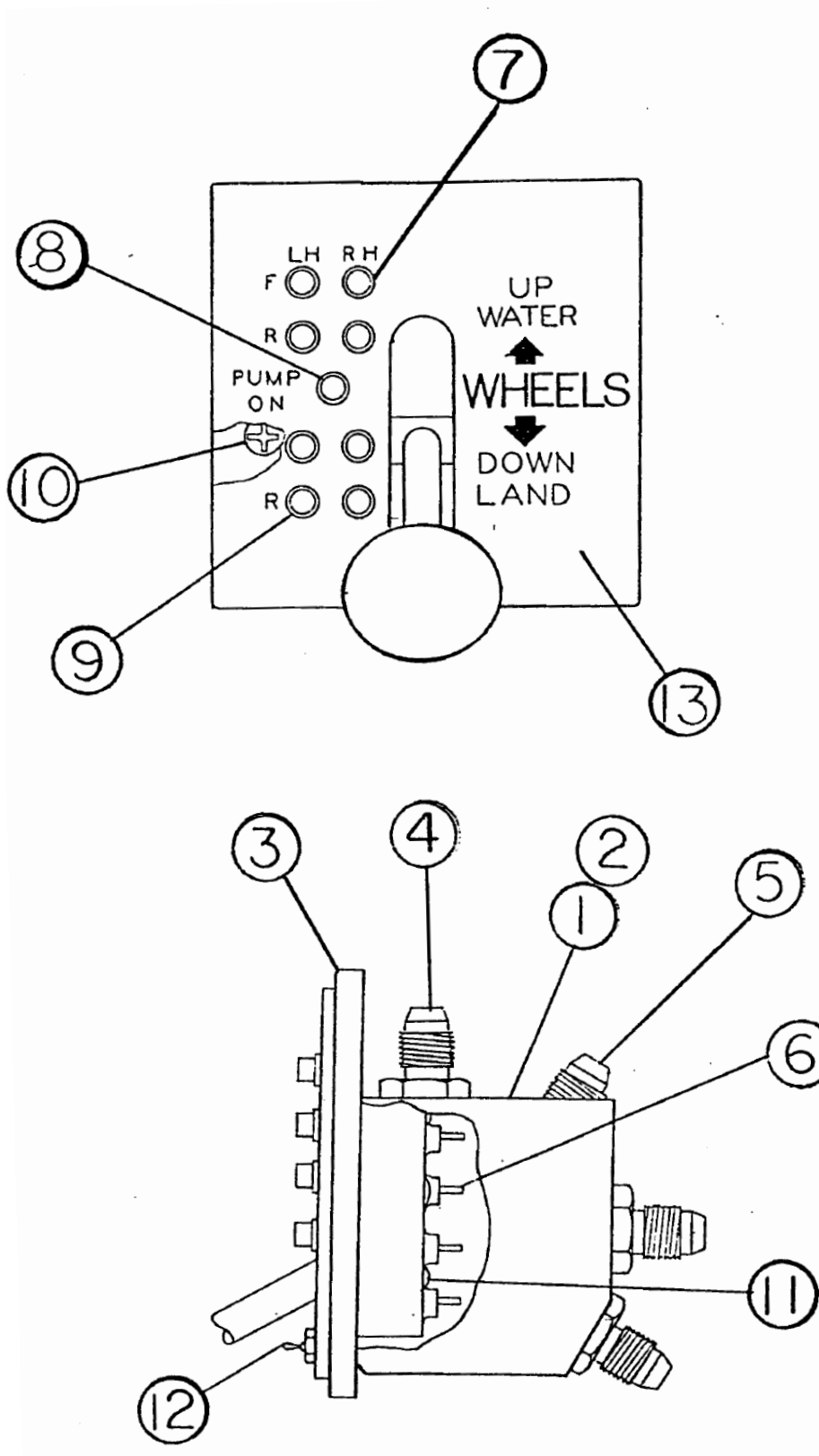
THIS PAGE INTENTIONALLY LEFT BLANK

SECTION 10 ELECTRICAL

CONTENTS

GEAR SELECTOR ASSEMBLY	94
ELECTRICAL SCHEMATIC - LANDING GEAR.....	96

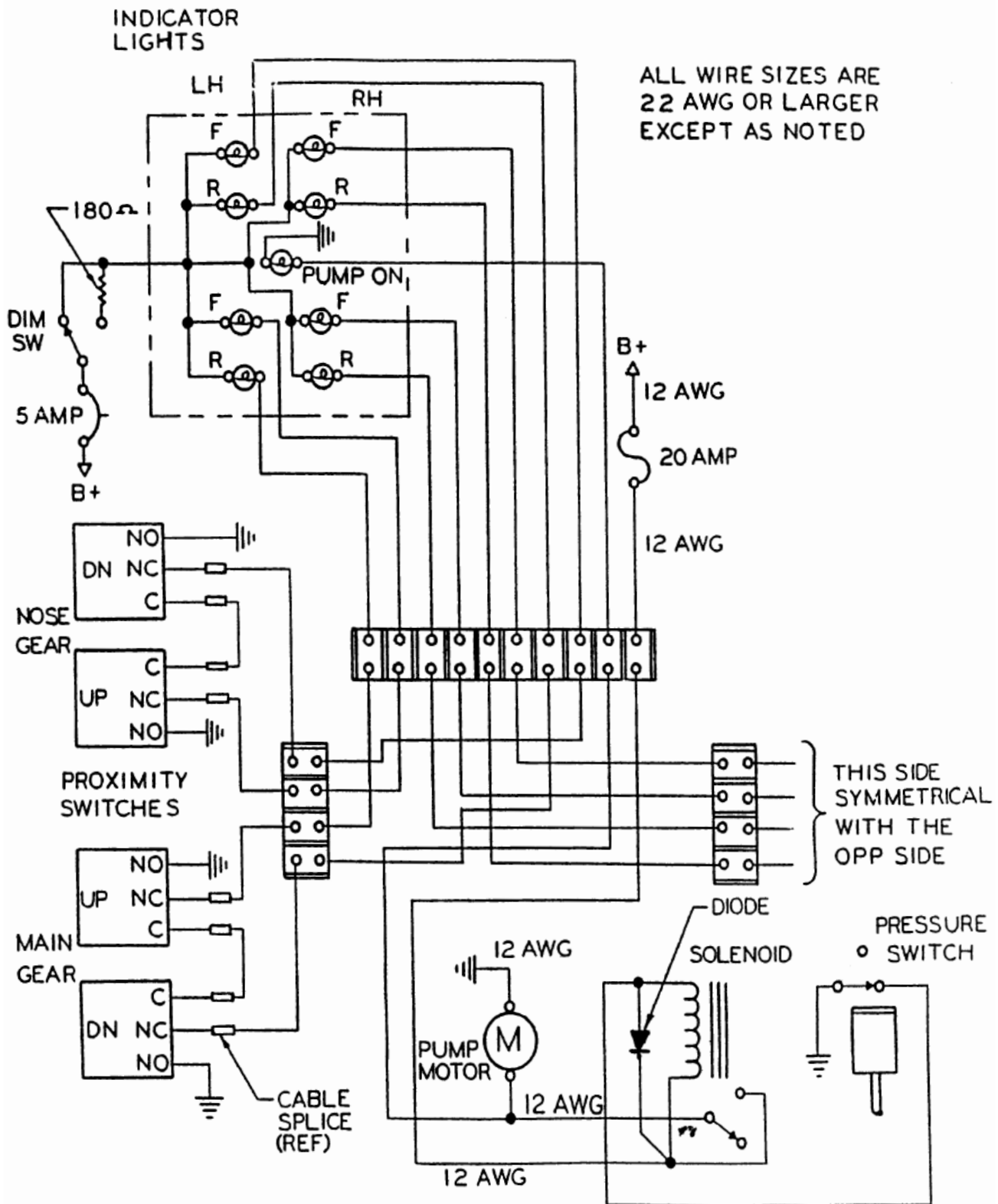
GEAR SELECTOR ASSEMBLY



PARTS MANUAL
WIPLINE 3730 & 3900 FLOATS ON CESSNA 185 & 206 SERIES

ITEM	QTY	PART NO.	PART DESCRIPTION
1	1	3A09000-025	ASSEMBLY-VALVE-GEAR SELECTOR
2	1	9881020-2	VALVE-GEAR SELECTOR
3	1	3A09191-001	FACE PLATE-ROUND
	1	3A09191-002	FACE PLATE-SQUARE
4	1	AN919-3D	REDUCER
	1	MS28775-012	"O" RING
5	3	AN815-4D	FITTING
	3	MS28775-012	"O" RING
6	6	515-0012	SOCKET
7	4	507-3918-1434-600F	LAMP (24V) (BLUE)
	4	507-3912-1434-600F	LAMP (12V) (BLUE)
8	1	507-3918-1431-600F	LAMP (24V) (RED)
	1	507-3912-1431-600F	LAMP (12V) (RED)
9	4	507-3918-1432-600F	LAMP (24V) (GREEN)
	4	507-3912-1432-600F	LAMP (12V) (GREEN)
10	3	MS24693S273	SCREW-FACE ATTACH
11	3	AN526-632R6	SCREW-LAMP ATTACH
12	1	A101SYCB	DIM SWITCH (ARCHER)
13	1	5A3-672	PLACARD-GEAR OPERATION

ELECTRICAL SCHEMATIC - LANDING GEAR



THIS PAGE INTENTIONALLY LEFT BLANK

SECTION 11 PLACARDS AND DECALS

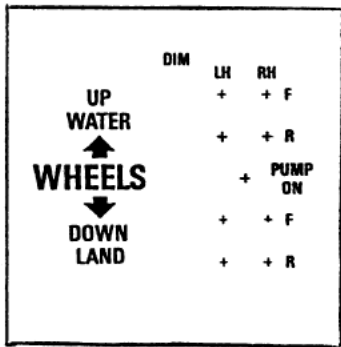
CONTENTS

PLACARDS AND DECALS.....	100
--------------------------	-----

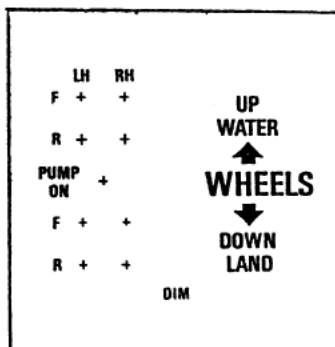
PLACARDS AND DECALS



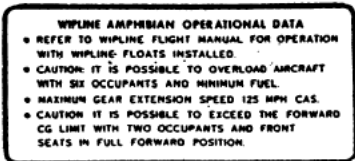
1



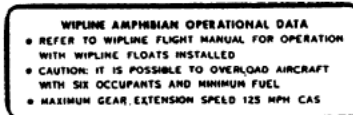
2



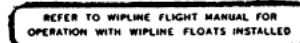
3



4



5



6

TIRE PRES. 38 LBS.

7

WATER RUDDER CONTROL

8

UP DOWN

9



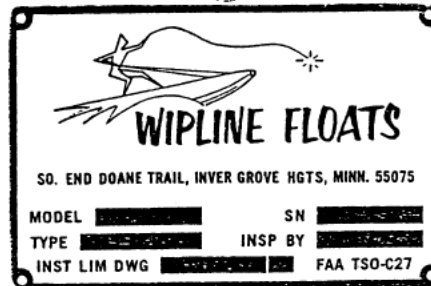
10



11



12



13

PARTS MANUAL
WIPLINE 3730 & 3900 FLOATS ON CESSNA 185 & 206 SERIES

ITEM	QTY	PART NO.	PART DESCRIPTION
1	1L-1R	ITEM 1L-1R	DECAL FLOAT SIDE-WHITE OR BLACK (SPECIFY BORDER ANGLE AND COLOR)
2	1	ITEM 2	DECAL-GEAR SELECTOR-LEFT HAND NOTE: NOT AVAILABLE FOR NEW GEAR SELECTORS
3	1	5A3-672	DECAL-GEAR SELECTOR-RIGHT HAND
4	1	ITEM 4	PLACARD-COCKPIT (185 AMPHIBIAN 3730) (SPECIFY WHITE OR BLACK) P/N 2A3-194
5	1	ITEM 5	PLACARD-COCKPIT (206 AMPHIBIAN 3730) (SPECIFY WHITE OR BLACK)
6	1	ITEM 6	PLACARD-COCKPIT (185,206 SEAPLANE 3900) (SPECIFY WHITE OR BLACK)
7	1	ITEM 7	PLACARD-COCKPIT-TIRE PRESSURE (3730) (SPECIFY WHITE OR BLACK)
8	1	ITEM 8	PLACARD-WATER RUDDER CONTROL (SPECIFY WHITE OR BLACK)
9	1	ITEM 9	PLACARD-WATER RUDDER CONTROL (SPECIFY WHITE OR BLACK)
10	1	ITEM 10	PLACARD-CIRCUIT BREAKER (AMPHIBIAN 3730) (SPECIFY WHITE OR BLACK)
11	1	9A3-632	PLACARD-BAGGAGE COMPARTMENT (AMPHIBIAN 3730)
12	1	3A3-288	PLACARD-EMERGENCY HAND PUMP (AMPHIBIAN 3730)
13	1	9A3-138	IDENTIFICATION PLATE