



WIPLINE FLOATS | MODIFICATIONS | AIRCRAFT SALES
AVIONICS | INTERIORS | MAINTENANCE | PAINT



PARTS MANUAL FOR WIPLINE 7000 FLOATS

Revision K

Wipaire | Fire Boss | Lake & Air
1700 Henry Ave – Fleming Field (KSGS), South St. Paul, MN 55075
651.451.1205 info@wipaire.com wipaire.com

THIS PAGE INTENTIONALLY LEFT BLANK

LOG OF REVISIONS

Revision	Pages Affected	Description	Date
A	1-197	Initial Release	4/1/2011
B	4, 5, 123-124, 132, 139-140, 175-178, 185, 188, 190, 192	Update to Hydraulic pump assembly image and BOM, update main gear axle assembly image and BOM, updated pylon gear journal attach points BOM, update to rotary actuator BOM, CB config. image update to 20-amp CB update to elec. schematic sheets/BOM's to indicate 20-amp CB.	11/6/2012
C	All	Updated Format, Removed Warranty Claim Form	3/31/2016
D	All	Added 13A01567-010 Cover Seal, 13.69" X 17.16" to Assembly Covers 1003763, 1003764, and 1003765. Changed XA1AC description to TUBE, 5.00 X 5 in Nose Wheel Assembly Lower End. Added Gasket 1009941 to 4" Inspection Covers 1004593. Changed bolt from AN10-40A to AN10-40 and changed Nut MS21044N10 to AN310-10 in Main Gear Assembly. Added MS24665-285 Cotter Pin to Main Gear Assembly. Replaced water rudder with 8A08000-079.	8/23/2019
E	89, 182	Changed Washer NAS114 9D0316J to NAS1149D0316J and changed Screw AN526C1 032R10 to AN526C1032R10. Housing Connector Assembly 2601048-200 is no longer available, it has been replaced by 73F-250-32-NL Female Connector, 10-12 AWG	11/4/2019
F	All	Created manual in new software, updated format. Removed New Customer Information Form. Added note about nose and main gear tire/tube. Added sections for Post/Pre Service Letter 219 for Hydraulics and Electrical. Updated Bidirectional Hydraulic Pump 1011436 which replaced 1004397. Added 1011435 Assembly, Plate, Mount, Hydraulic Power Pack image and parts list. Updated Hydraulic Pump Overview image and parts list. Updated Hydraulic Schematic image and parts list. Updated Electrical Schematic image and parts list.	5/7/2021
G	All	Changed Brake Disc 164-24500 to 164-24501. Added steering and retract cables to Water Rudder section.	2/25/2022
H	126	Updated parts list in Main Gear Axle Assembly	1/26/2023
J	137-140, 200	Updated Nose Wheel Assembly Lower End image and parts list. Added new section for Nose Wheel Assembly Without Tire. Corrected bulb part numbers in gear control indicator assembly.	9/8/2025
K	24-28	Updated image and parts list in Pumper Tube Installation. Updated image and parts list in Pumpout Cup and Tube section. Added Float Hand Pump section.	4/10/2026

View most current version of parts manual at www.wipaire.com.

THIS PAGE INTENTIONALLY LEFT BLANK

TABLE OF CONTENTS

FLOAT PART SALES DEPARTMENT OPERATIONS	6
INTRODUCTION	7
SECTION 1 HULL ASSEMBLY	9
SECTION 2 TOP DECK.....	17
SECTION 3 FORWARD BULKHEADS	29
SECTION 4 WHEEL WELL	53
SECTION 5 AFT BULKHEADS.....	73
SECTION 6 SKINS	85
SECTION 7 BAGGAGE FLOORS	99
SECTION 8 WATER RUDDER, STEERING & RETRACT CABLES.....	109
SECTION 9 LANDING GEAR.....	121
SECTION 10 STRUT PACKAGE & STEPS	143
SECTION 11 AERODYNAMIC SYSTEMS.....	169
SECTION 12 AIRCRAFT SYSTEMS.....	181

FLOAT PART SALES DEPARTMENT OPERATIONS

Parts Sales:

Wipaire, Inc.

1700 Henry Avenue – Fleming Field

South St. Paul, MN 55075

Telephone: (651) 306-0459

Fax: (651)-306-0666

Website: www.wipaire.com

Email: customerservice@wipaire.com

Note: Any information not found in this manual for strut package parts and other installation items refer to the installation drawing package provided with the STC at the time of float installation. Additional drawing copies are available for purchase through the Wipaire Customer Service Department.

Parts Ordering

Purchase orders should include:

1. Purchase order number
2. Name of person placing order
3. Invoicing information:
 - a. Customer name - company or individual
 - b. Address
 - c. Phone and fax number
4. Shipping information:
 - a. Address (if different from invoice address)
 - b. Method of shipment/preferred carrier
5. Aircraft model, float model, and serial numbers
6. Wipaire part number; name; type, e.g. left or right; quantity
7. Payment method: VISA, MasterCard, C.O.D. (Collect on Delivery) (U.S. customers only), pre-payment by check or wire transfer, open account (see Credit Policy)

INTRODUCTION

All references in this manual to LEFT and RIGHT are from the perspective of the pilot's seat with the floats fully installed and ready for floatplane operation.

The following is a list of abbreviations that may appear in the description nomenclature fields of this manual:

AB	Afterbody	Inbd.	Inboard
Amphib.	Amphibious	Lg.	Large
AR	As Required	Lt.	Left
Assy.	Assembly	Lwr.	Lower
Brkt.	Bracket	Opt.	Optional
Btm.	Bottom	Otbd.	Outboard
Bulk.	Bulkhead	Reinf.	Reinforcement
Ctr.	Center	Rr.	Rear
Cyl.	Cylinder	Rt.	Right
Ft.	Front	Sm.	Small
Ftg.	Fitting	SN	Serial Number
Fus.	Fuselage	Spr.	Spreader
Fwd	Forward	Upr.	Upper
Horiz.	Horizontal	Vert.	Vertical
Hyd.	Hydraulic	W.W.	Wheel Well

USING THIS PARTS MANUAL

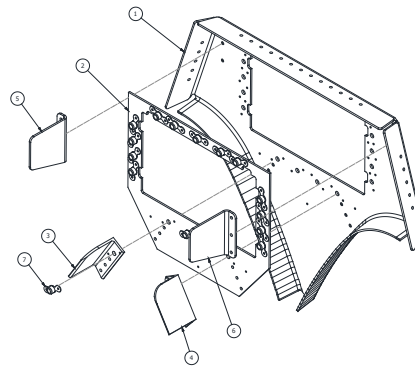
COVERAGE

Parts information is provided in this manual for the hulls and all "deck down" parts. For information on strut package parts and other aircraft installation items, refer to the installation drawing package provided with the STC at the time of float installation. Additional drawing copies are available for purchase through Wipaire Customer Service Department.

Name of main part in the section. Example: This part is showing the components made up in Bulkhead #1.

BULKHEAD #1

Main part image. If the image has numbers associated with it, then those numbers are item numbers shown in the table below.



Items with a (-) instead of a number represent the main part as an assembly. Other parts represent the parts included in the assembly.

ITEM	QTY	PART NO.	PART DESCRIPTION
-	1	1008815	ASSEMBLY BULKHEAD #1, 10000
1	1	1008797	PANEL, BULKHEAD #1
2	1	13A01156-085	DOUBLER #1 BULKHEAD
3	1	13A01357-049	CLEAT, SISTER KEEL ATTACH #1 BULKHEAD
4	1	13A01357-050	CLEAT, SISTER KEEL ATTACH #1 BULKHEAD
5	1	6A01156-054	ANGLE – TOP RAIL
6	1	6A01156-055	ANGLE – TOP RAIL
7	17	MS21047L4	NUT PLATE, SELF LOCKING

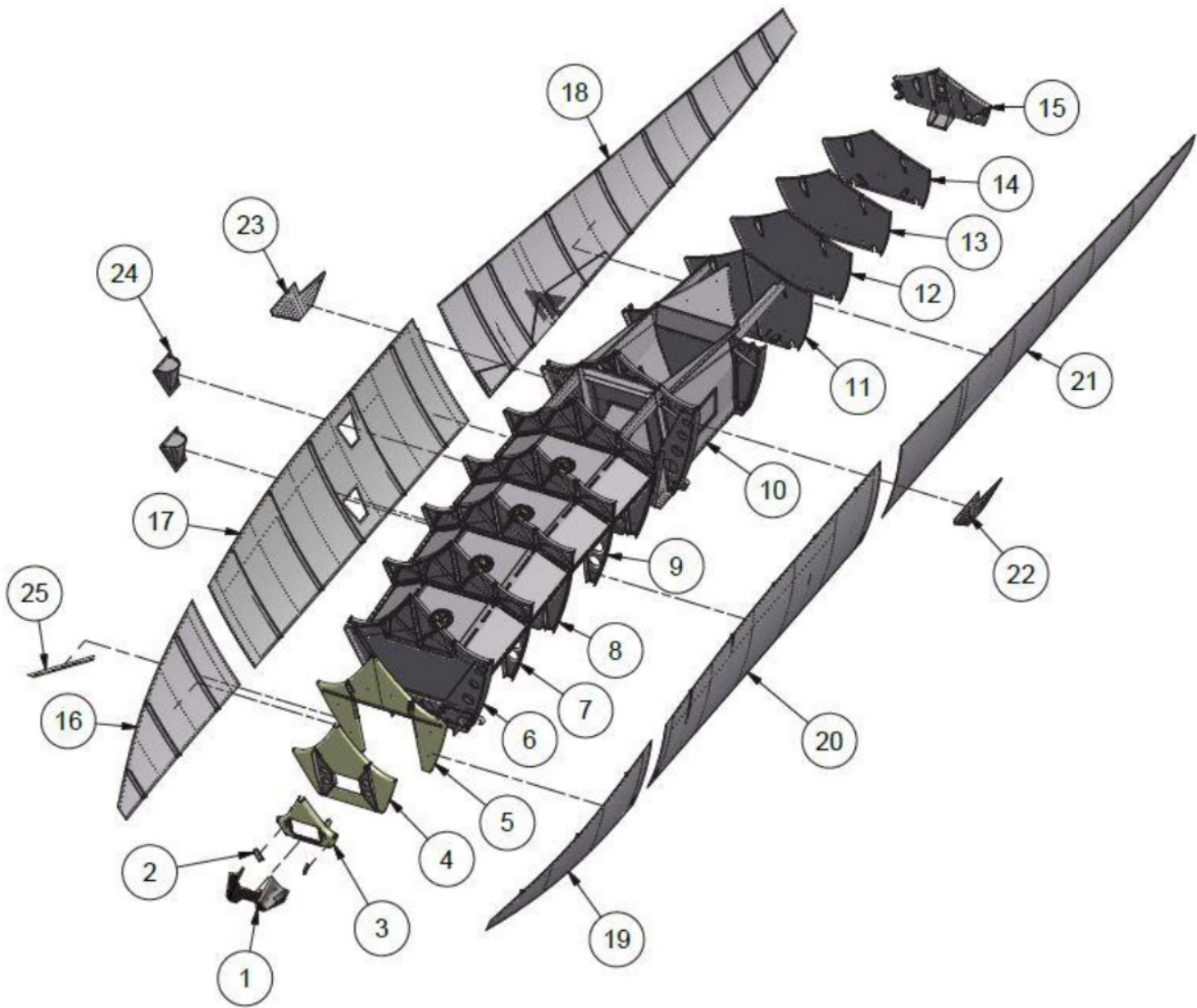
To order an individual part, order the part number associated with item number.

SECTION 1 HULL ASSEMBLY

CONTENTS

HULL ASSEMBLY BULKHEADS AND SIDE SKINS LEFT FLOAT	10
HULL ASSEMBLY BULKHEADS AND SIDE SKINS RIGHT FLOAT	12
HULL ASSEMBLY BOTTOM SKINS.....	14
HULL STRUCTURAL MEMBERS & EXTRUSIONS	15

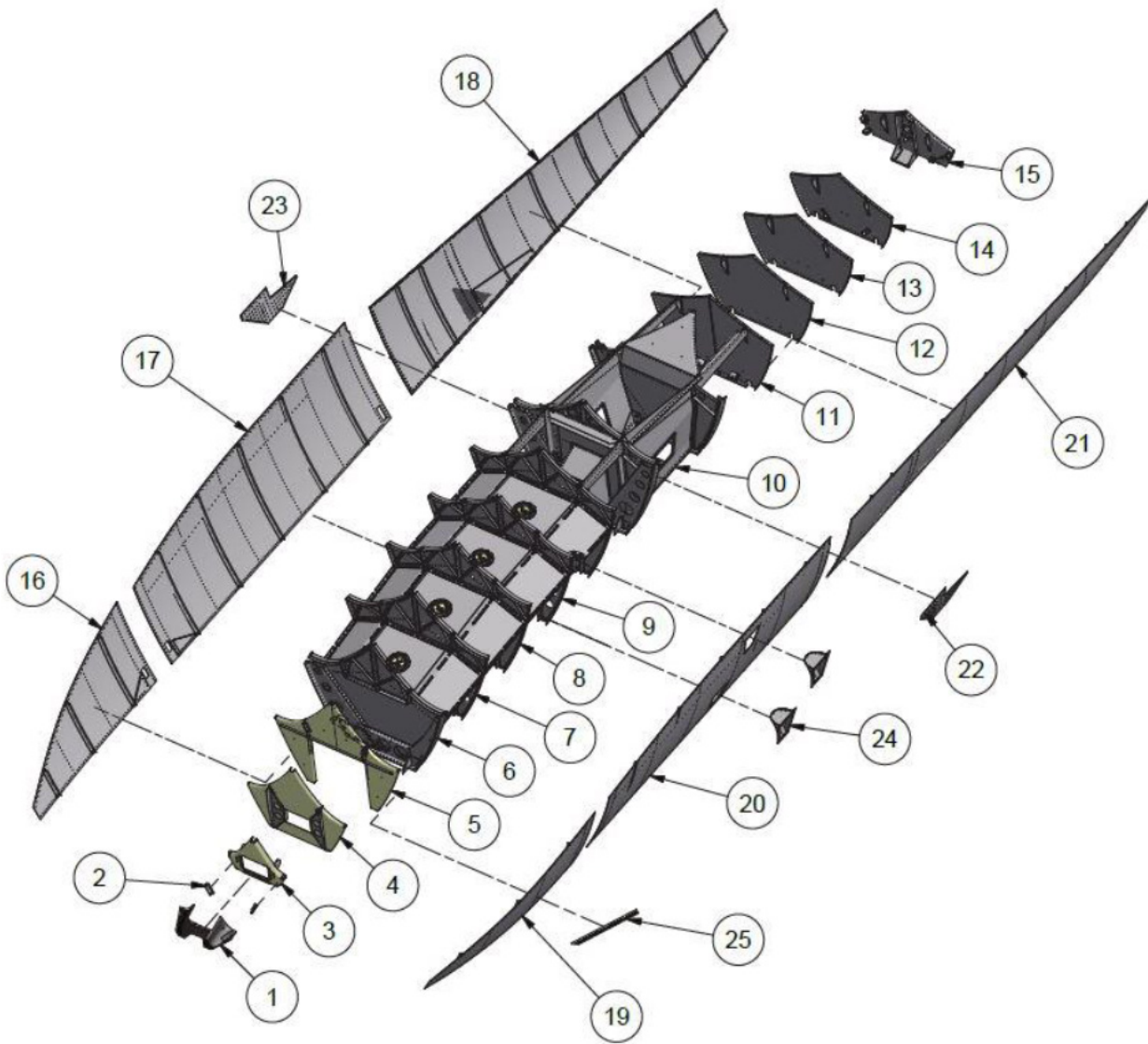
HULL ASSEMBLY BULKHEADS AND SIDE SKINS LEFT FLOAT



PARTS MANUAL
WIPLINE 7000 FLOATS

ITEM	QTY	PART NO.	PART DESCRIPTION
1	1	1004467	NOSE BUMPER
2	2	1004641	MOUNT, NOSE BUMPER
3	1	1003035	ASSEMBLY, BULKHEAD #1
4	1	1003036	ASSEMBLY, BULKHEAD #2
5	1	1003037	ASSEMBLY, BULKHEAD #3
6	1	1003038	ASSEMBLY, BLKHD #4, LT FLT, 7000
7	1	1003040	ASSEMBLY, BULKHEAD, #5
8	1	1003041	ASSEMBLY, BULKHEAD #6
9	1	1003042	ASSEMBLY, BULKHEAD #8
10	1	1003044	ASSEMBLY, WHEEL WELL, LEFT FLOAT, 7000
11	1	1003451	ASSEMBLY, BULKHEAD #12, LEFT FLOAT
12	1	1003453	ASSEMBLY, BULKHEAD #13
13	1	1003455	ASSEMBLY, BULKHEAD #14
14	1	1003457	ASSEMBLY, BULKHEAD #15
15	1	1003459	ASSEMBLY, BULKHEAD #16 LEFT FLOAT
16	1	1003785	ASSEMBLY, SKIN, FWD, OBRD, LT FLT, 7000
17	1	1003789	ASSEMBLY, SKIN, MID, OBRD, LT FLT, 7000
18	1	1003793	ASSEMBLY, SKIN, AFT, OBRD, LT FLT, 7000
19	1	1003784	ASSEMBLY, SKIN, FWD, IBRD, LT FLT, 7000
20	1	1003788	ASSEMBLY, SKIN, MID, IBRD, LT FLT, 7000
21	1	1003792	ASSEMBLY, SKIN, AFT, IBRD, LT FLT, 7000
22	1	1004183	DOUBLER, BLKHD #10, RT, 7000
23	1	1004182	DOUBLER, BLKHD #10, L , 7000
24	2	3A01000-005	WELDMENT, STEP POCKET, FLAT SURFACE
25	1	1004460	STALL STRIP, LH, 7000

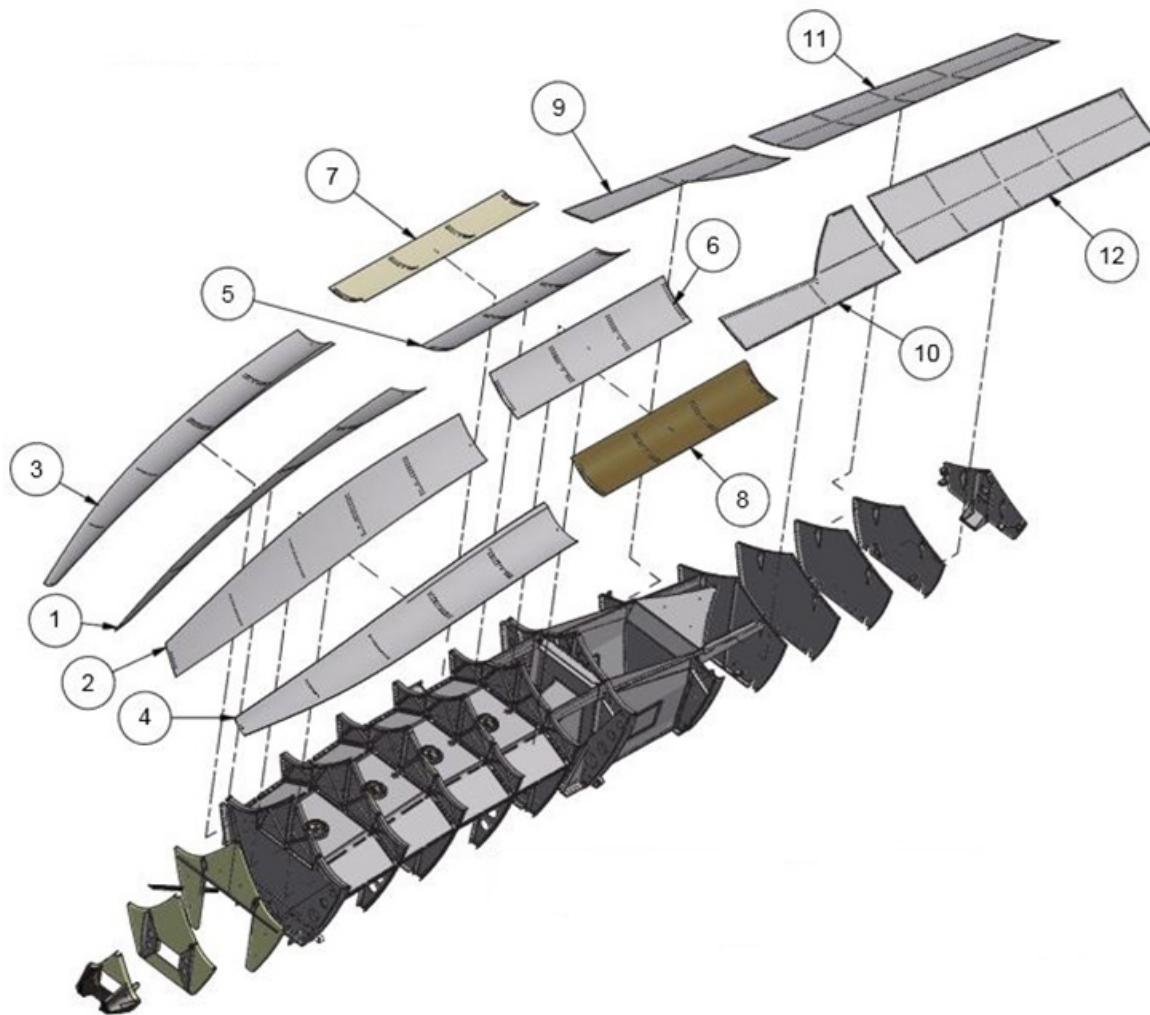
HULL ASSEMBLY BULKHEADS AND SIDE SKINS RIGHT FLOAT



PARTS MANUAL
WIPLINE 7000 FLOATS

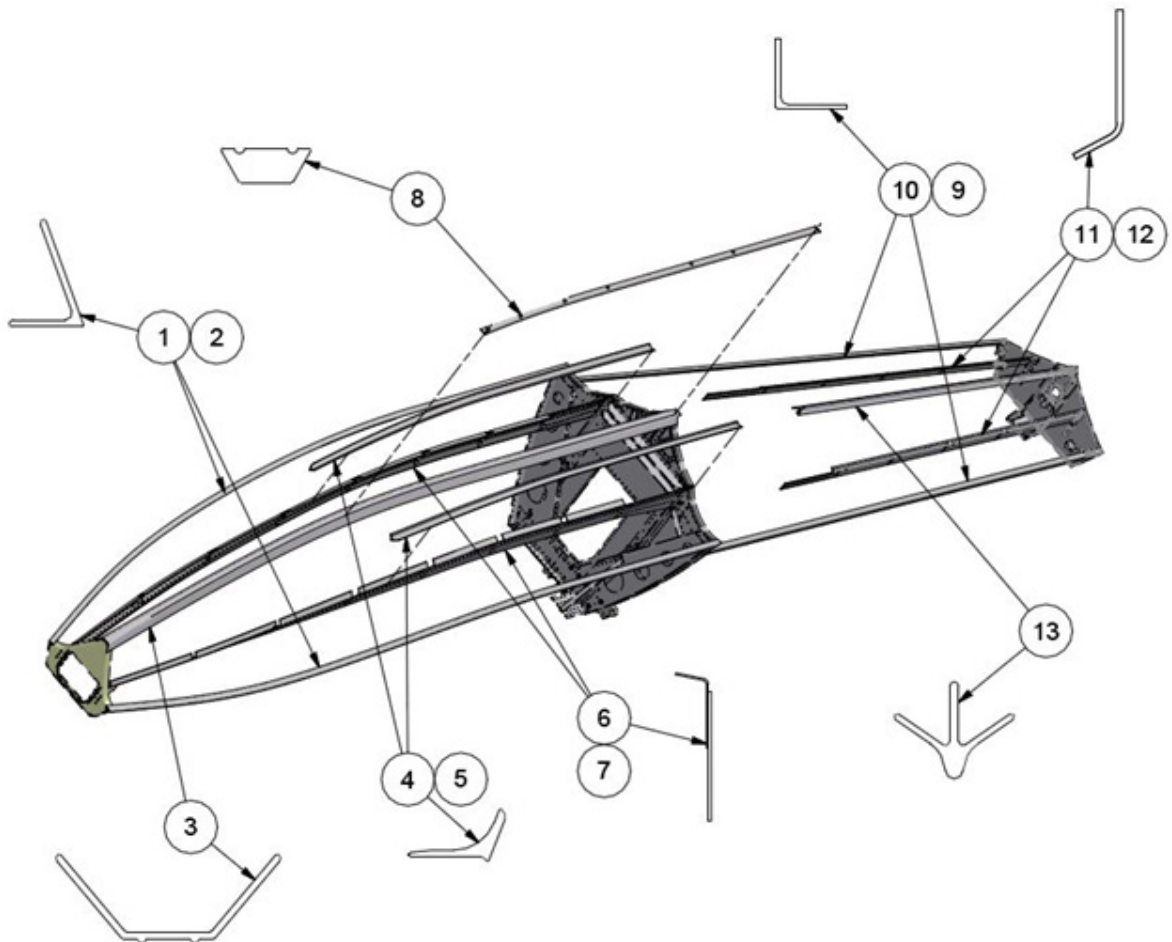
ITEM	QTY	PART NO.	PART DESCRIPTION
1	1	1004467	NOSE BUMPER
2	2	1004641	MOUNT, NOSE BUMPER
3	1	1003035	ASSEMBLY, BULKHEAD #1
4	1	1003036	ASSEMBLY, BULKHEAD #2
5	1	1003037	ASSEMBLY, BULKHEAD #3
6	1	1003039	ASSEMBLY, BLKHD #4, RT FLT, 7000
7	1	1003040	ASSEMBLY, BULKHEAD, #5
8	1	1003041	ASSEMBLY, BULKHEAD #6
9	1	1003042	ASSEMBLY, BULKHEAD #8
10	1	1003144	ASSEMBLY, WHEEL WELL, RIGHT FLOAT, 7000
11	1	1003452	ASSEMBLY, BULKHEAD #12, RIGHT FLOAT
12	1	1003453	ASSEMBLY, BULKHEAD #13
13	1	1003455	ASSEMBLY, BULKHEAD #14
14	1	1003457	ASSEMBLY, BULKHEAD #15
15	1	1003460	ASSEMBLY, BULKHEAD #16, RIGHT FLOAT
16	1	1003786	ASSEMBLY, SKIN, FWD, IBRD, RT FLT, 7000
17	1	1003790	ASSEMBLY, SKIN, MID, IBRD, RT FLT, 7000
18	1	1004087	ASSEMBLY, SKIN, AFT, IBRD, RT FLT, 7000
19	1	1003787	ASSEMBLY, SKIN, FWD, OBRD, RT FLT, 7000
20	1	1003791	ASSEMBLY, SKIN, MID, OBRD, RT FLT, 7000
21	1	1004088	ASSEMBLY, SKIN, AFT, OBRD, RT FLT, 7000
22	1	1004183	DOUBLER, BLKHD #10, RT, 7000
23	1	1004182	DOUBLER, BLKHD #10, LT, 7000
24	2	3A01000-005	WELDMENT, STEP POCKET, FLAT SURFACE
25	1	1004459	STALL STRIP, RH, 7000

HULL ASSEMBLY BOTTOM SKINS



ITEM	QTY	PART NO.	PART DESCRIPTION
1	1	1003195	SKIN, BOT, FWD, KEEL, LT, 7000
2	1	1003196	SKIN, BOT, FWD, KEEL, RT, 7000
3	1	1003199	SKIN, BOT, FWD, CHINE, LT, 7000
4	1	1003200	SKIN, BOT, FWD, CHINE, RT, 7000
5	1	1003193	SKIN, BOT, MID, KEEL, LT, 7000
6	1	1003194	SKIN, BOT, MID, KEEL, RT, 7000
7	1	1003197	SKIN, BOT, MID, CHINE, LT, 7000
8	1	1003198	SKIN, BOT, MID, CHINE, RT, 7000
9	1	1003723	SKIN, BOT, AFT, MID, LT, 7000
10	1	1003722	SKIN, BOT, AFT, MID, RT, 7000
11	1	1003201	SKIN, BOT, AFT, LT, 7000
12	1	1003202	SKIN, BOT, AFT, RT, 7000

HULL STRUCTURAL MEMBERS & EXTRUSIONS



ITEM	QTY	PART NO.	PART DESCRIPTION
1	1	1004084	CHINE, FWD, LT, 7000
2	1	1004198	CHINE, FWD, RT, 7000
3	1	1004031	KEEL, MAIN, FWD, 7000
4	1	1004066	SISTER KEEL, RH, 7000
5	1	1004063	SISTER KEEL, LH, 7000
6	1	1003844	ASSEMBLY, SISTER KEEL, RH, FWD, 7000
7	1	1003843	ASSEMBLY, SISTER KEEL, LH, FWD, 7000
8	1	1004039	WEAR STRIP, KEEL, MAIN, 7000
9	1	1004086	CHINE, AFT, RT, 7000
10	1	1004085	CHINE, AFT, LT, 7000
11	1	1003771	KEEL, SISTER, AFT, LH, 7000
12	1	1003770	KEEL, SISTER, AFT, RH, 7000
13	1	1004341	KEEL, AFT, 7000

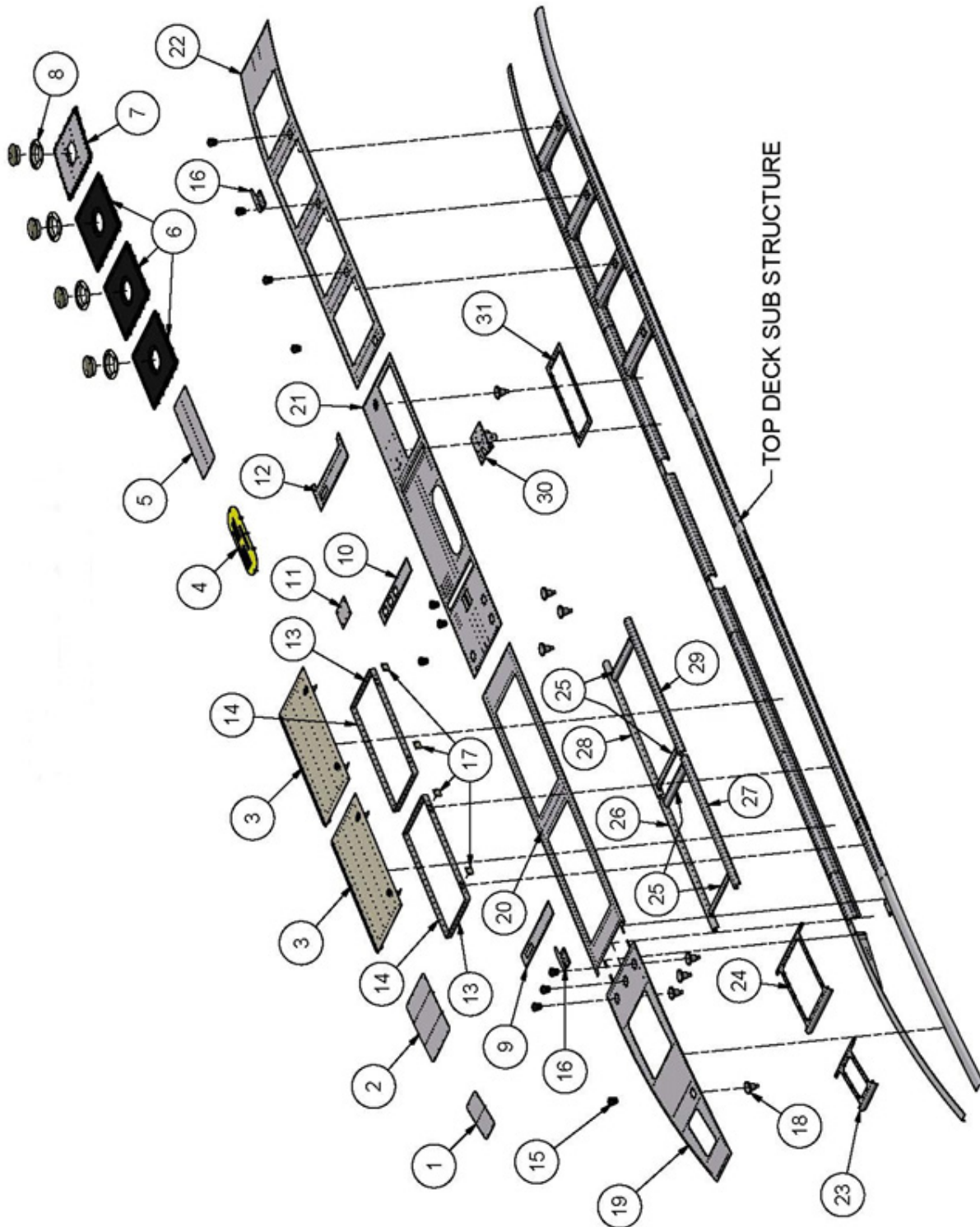
THIS PAGE INTENTIONALLY LEFT BLANK

SECTION 2 TOP DECK

CONTENTS

TOP DECK ASSEMBLY LEFT FLOAT	18
TOP DECK ASSEMBLY RIGHT FLOAT	20
TOP DECK SUB STRUCTURE	22
PUMPER TUBE INSTALLATION	24
PUMPOUT CUP AND TUBE	26
FLOAT HAND PUMP	28

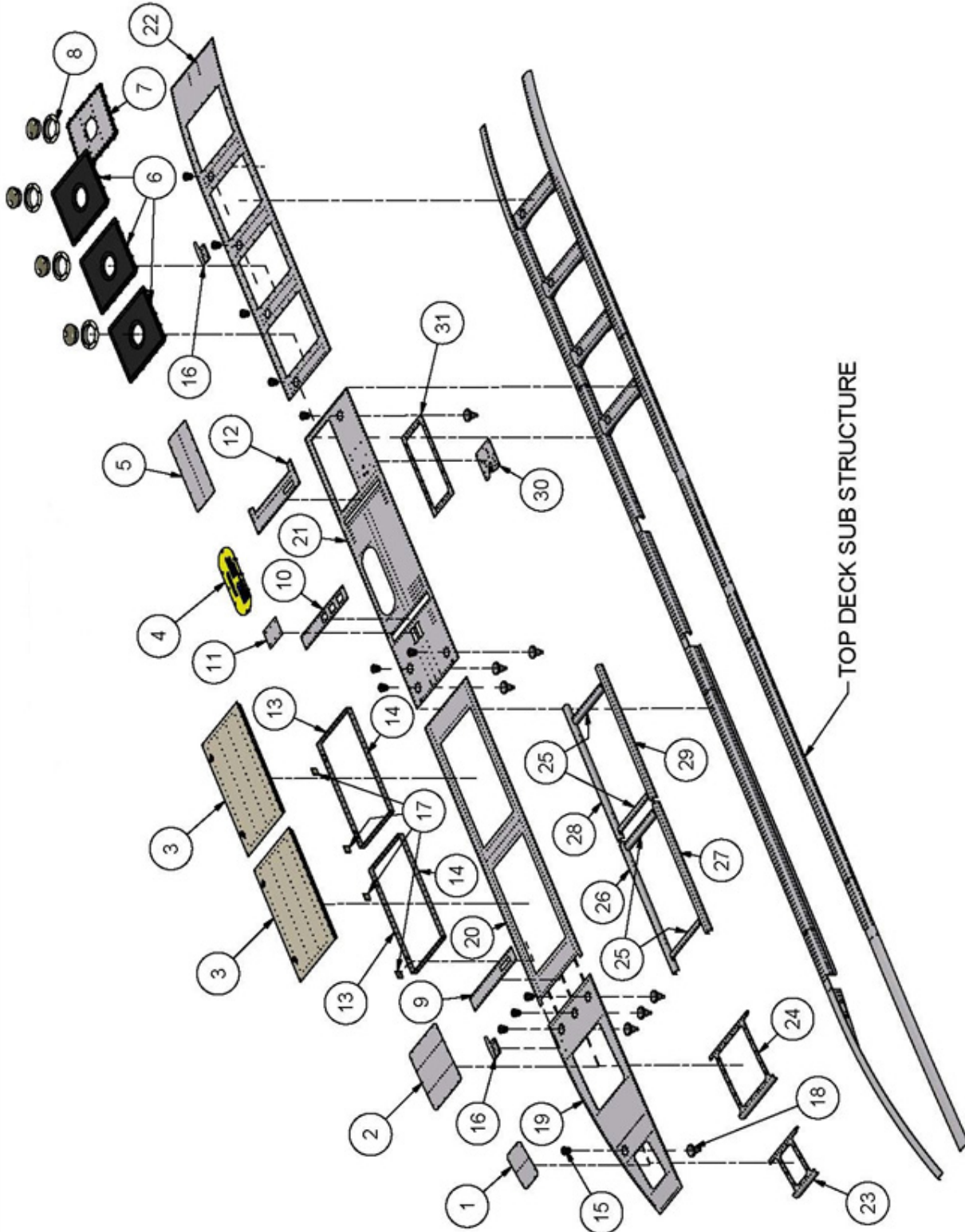
TOP DECK ASSEMBLY LEFT FLOAT



PARTS MANUAL
WIPLINE 7000 FLOATS

ITEM	QTY	PART NO.	PART DESCRIPTION
1	1	1003763	ASSEMBLY, COVER, TOPDECK, 6 X 9
	1	13A01567-010	COVER SEAL, 13.69" X 17.16" TRIM TO FIT
2	1	1003764	ASSEMBLY, COVER, TOPDECK, 12 X 15
	1	13A01567-010	COVER SEAL, 13.69" X 17.16" TRIM TO FIT
3	4	1004058	ASSEMBLY, BAGGAGE DOOR, 7000
4	1	1004567	ASSEMBLY, COVER, GEAR ACCESS, LH
5	1	1003765	ASSEMBLY, COVER, TOPDECK, 8 X 19
	1	13A01567-010	COVER SEAL, 13.69" X 17.16" TRIM TO FIT
6	3	1004952	INSPECTION COVER, RECESSED
	1	1004979	KIT, INSPECTION PANEL
	A/R	RM754	O-RING . 139 BUNA N CORD STOCK
7	1	1004633	PANEL, INSPECTION, AFT
	1	1004978	KIT, INSPECTION PANEL, AFT
	A/R	RM754	O-RING . 139 BUNA N CORD STOCK
8	4	1004593	COVER, 4" INSPECTION
	4	1009941	GASKET, INSPECTION COVER
9	1	1003307	COVER, FITTING, BH04, BH11
10	1	1003308	COVER, FITTING, BH10
11	1	1003767	COVER, TOPDECK, 4.5 X 5.5
12	1	1004243	COVER, FITTING, BH11, LEFT FLOAT
13	2	1004573	BAGGAGE LIP
14	2	1004572	BAGGAGE LIP
15	12	2111	STOPPER, PUMPOUT, LAKE AND AIR
16	2	1004255	BALLARD, TOP DECK, TIE DOWN
17	4	1003860	STRIKE PLATE, BAGGAGE DOOR LOCK
18	12	4A01749-001	CUP, PUMP OUT
19	1	1003175	SKIN, TOP, FWD, LH FLOAT, 7000
20	1	1003172	SKIN, TOP, MID 4-9, LH FLOAT, 7000
21	1	1003168	SKIN, TOP, MID 9-12, LH FLOAT, 7000
22	1	1003165	SKIN, TOP, AFT, LH FLOAT, 7000
23	1	1004256	ASSEMBLY, RETAINER, COVER, TOPDECK
24	1	1004257	ASSEMBLY, RETAINER, COVER, TOPDECK
25	4	1003823	JAMB, END, BAGGAGE DOOR
26	1	1004090	JAMB, BAGGAGE DOOR, FWD, INBOARD, LEFT FLOAT
27	1	1004092	JAMB, BAGGAGE DOOR, FWD. OUTBOARD, LEFT FLOAT
28	1	1004094	JAMB, BAGGAGE DOOR, AFT, INBOARD, LEFT FLOAT
29	1	1004096	JAMB, BAGGAGE DOOR, AFT, OUTBOARD, LEFT FLOAT
30	1	1003300	ASSEMBLY, PULLEY CLUSTER, LEFT FLOAT, 7000
31	1	1004258	ASSEMBLY, RETAINER, COVER, TOPDECK

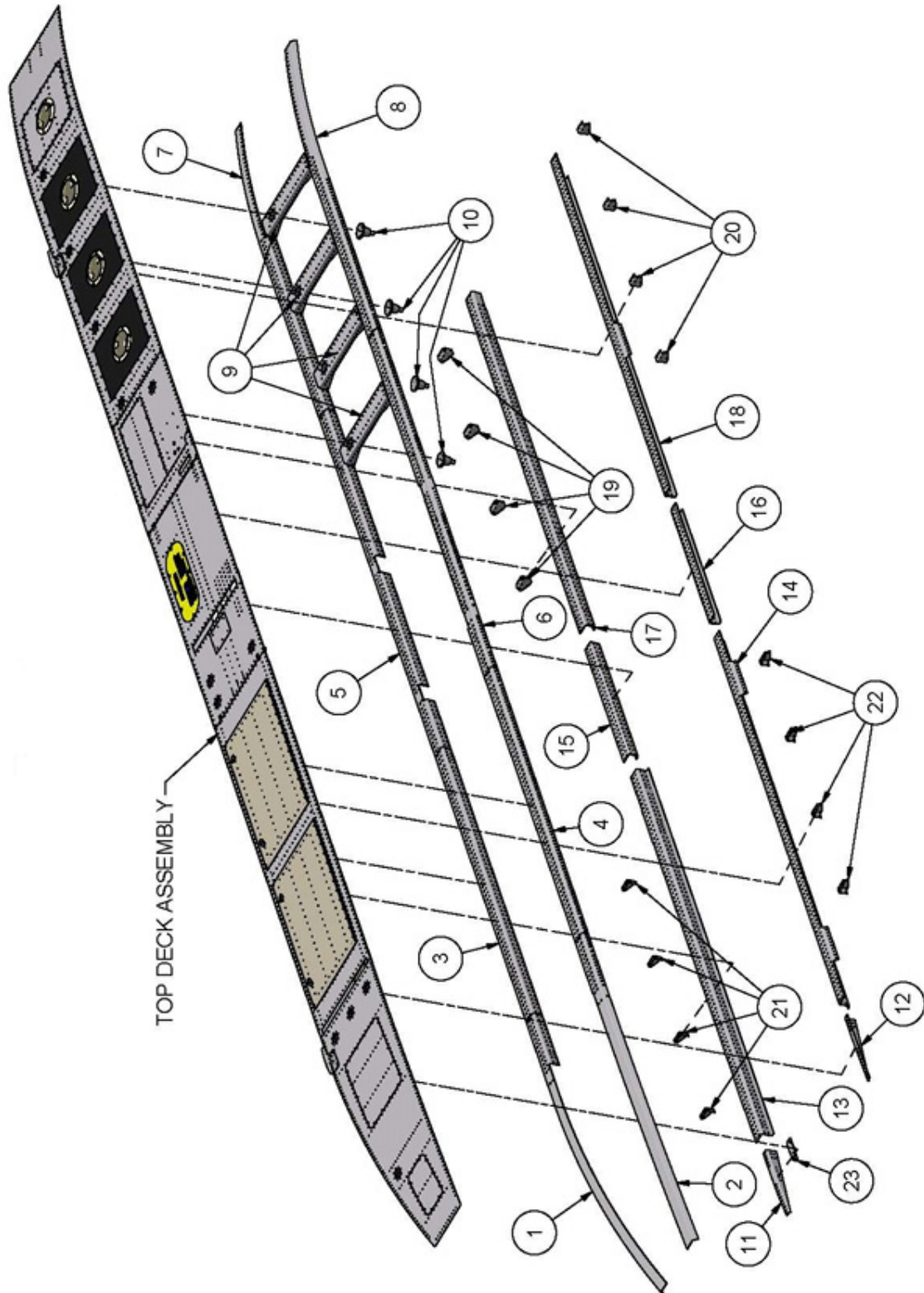
TOP DECK ASSEMBLY RIGHT FLOAT



PARTS MANUAL
WIPLINE 7000 FLOATS

ITEM	QTY	PART NO.	PART DESCRIPTION
1	1	1003763	ASSEMBLY, COVER, TOPDECK, 6 X 9
	1	13A01567-010	COVER SEAL, 13.69" X 17.16" TRIM TO FIT
2	1	1003764	ASSEMBLY, COVER, TOPDECK, 12 X 15
	1	13A01567-010	COVER SEAL, 13.69" X 17.16" TRIM TO FIT
3	2	1004058	ASSEMBLY, BAGGAGE DOOR, 7000
4	1	1004568	ASSEMBLY, COVER, GEAR ACCESS, RH
5	1	1003765	ASSEMBLY, COVER, TOPDECK, 8 X 19
	1	13A01567-010	COVER SEAL, 13.69" X 17.16" TRIM TO FIT
6	3	1004952	INSPECTION COVER, RECESSED
	1	1004979	KIT, INSPECTION PANEL
	A/R	RM754	O-RING . 139 BUNA N CORD STOCK
7	1	1004633	PANEL, INSPECTION, AFT
	1	1004978	KIT, INSPECTION PANEL, AFT
	A/R	RM754	O-RING . 139 BUNA N CORD STOCK
8	4	1004593	COVER, 4" INSPECTION
	4	1009941	GASKET, INSPECTION COVER
9	1	1003307	COVER, FITTING, BH04, BH11
10	1	1003308	COVER, FITTING, BH10
11	1	1003767	COVER, TOPDECK, 4.5 X 5.5
12	1	1004244	COVER, FITTING, BH11, RIGHT FLOAT
13	2	1004573	BAGGAGE LIP
14	2	1004572	BAGGAGE LIP
15	12	2111	STOPPER, PUMPOUT, LAKE AND AIR
16	2	1004255	BALLARD, TOP DECK, TIE DOWN
17	4	1003860	STRIKE PLATE, BAGGAGE DOOR LOCK
18	12	4A01749-001	CUP, PUMP OUT
19	1	1003176	SKIN, TOP, FWD, RH FLOAT, 7000
20	1	1003173	SKIN, TOP, MID 4-9, RH FLOAT, 7000
21	1	1003169	SKIN, TOP, MID 9-12, RH FLOAT, 7000
22	1	1003166	SKIN, TOP, AFT, RH FLOAT, 7000
23	1	1004256	ASSEMBLY, RETAINER, COVER, TOPDECK
24	1	1004257	ASSEMBLY, RETAINER, COVER, TOPDECK
25	4	1003823	JAMB, END, BAGGAGE DOOR
26	1	1004093	JAMB, BAGGAGE DOOR, FWD, OUTBOARD, RIGHT FLOAT
27	1	1004091	JAMB, BAGGAGE DOOR, FWD, INBOARD, RIGHT FLOAT
28	1	1004097	JAMB, BAGGAGE DOOR, AFT, OUTBOARD, RIGHT FLOAT
29	1	1004095	JAMB, BAGGAGE DOOR, AFT, INBOARD, RIGHT FLOAT
30	1	1003301	ASSEMBLY, PULLEY CLUSTER, RIGHT FLOAT, 7000
31	1	1004258	ASSEMBLY, RETAINER, COVER, TOPDECK

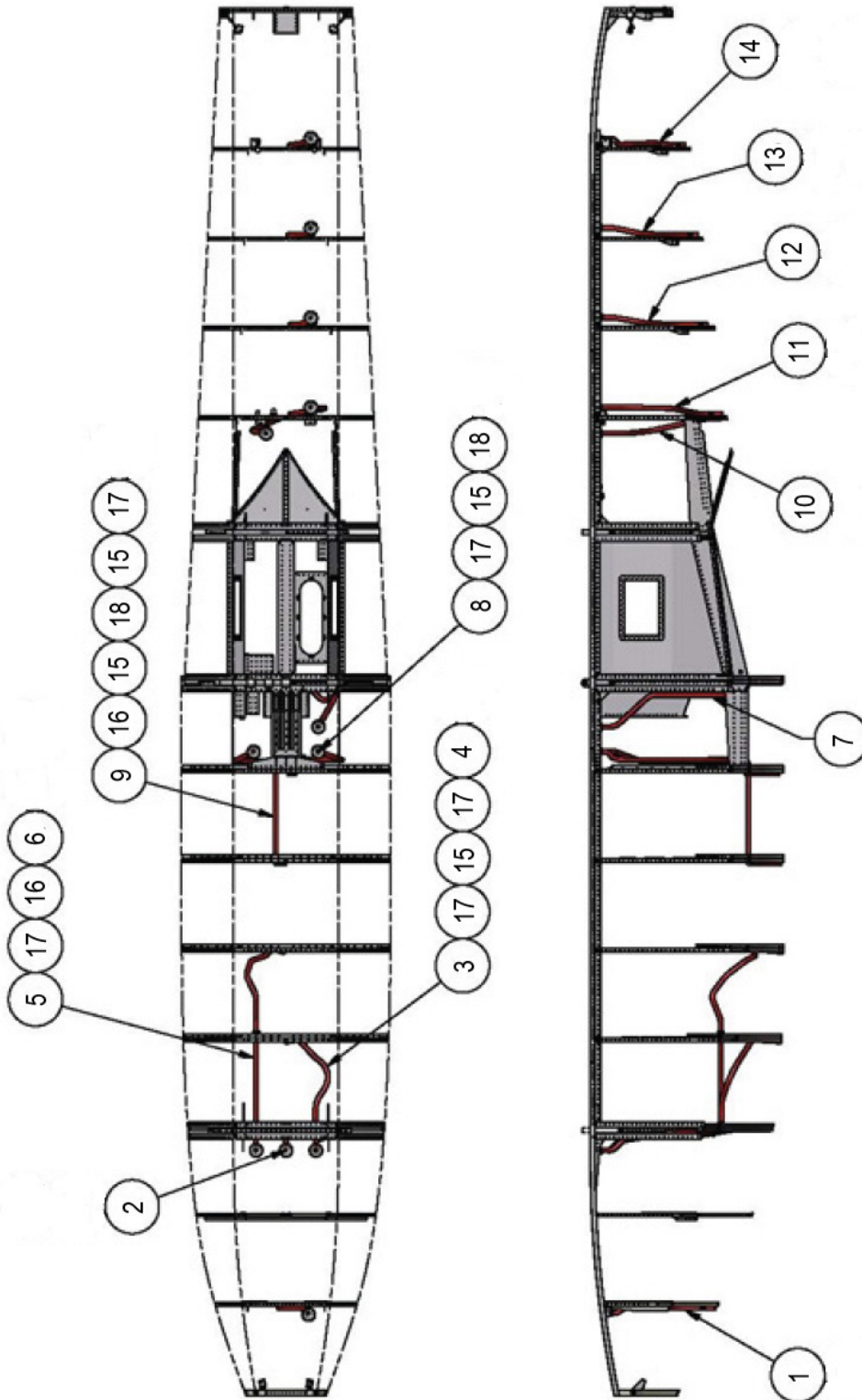
TOP DECK SUB STRUCTURE



PARTS MANUAL
WIPLINE 7000 FLOATS

ITEM	QTY	PART NO.	PART DESCRIPTION
1	1	1002920	GUNWALL, FWD, RIGHT
2	1	1002919	GUNWALL, FWD, LEFT
3	1	1003058	GUNWALL, MID, FWD, RIGHT
4	1	1003057	GUNWALL, MID, FWD, LEFT
5	1	1003055	GUNWALL, MID, AFT, RIGHT
6	1	1003056	GUNWALL, MID, AFT, LEFT
7	1	1002925	GUNWALL, AFT, RIGHT
8	1	1002924	GUNWALL, AFT, LEFT
9	4	1002904	BRACE, TOPSKIN
10	12	4A01749-001	CUP, PUMP OUT
11	1	1004237	GUSSET, GUNRAIL, FWD, RH
12	1	1004238	GUSSET, GUNRAIL, FWD, LH
13	1	1004240	NEST, GUNRAIL, FWD, RH
14	1	1004239	NEST, GUNRAIL, FWD, LH
15	1	1004312	NEST, GUNRAIL, MID, RH
16	1	1004313	NEST, GUNRAIL, MID, LH
17	1	1004242	NEST, GUNRAIL, AFT, RH
18	1	1004241	NEST, GUNRAIL, AFT, LH
19	4	1004205	MOUNT,RH, BULKHEAD 12 THRU 15, 7000 FLOAT
20	4	1004206	MOUNT,LH, BULKHEAD 12 THRU 15, 7000 FLOAT
21	4	1004207	MOUNT,RH, BULKHEAD 5 THRU 9, 7000 FLOAT
22	4	1004208	MOUNT,LH, BULKHEAD 5 THRU 9, 7000 FLOAT
23	1	1004254	BRACKET, TIE DOWN SUPPORT, 7000

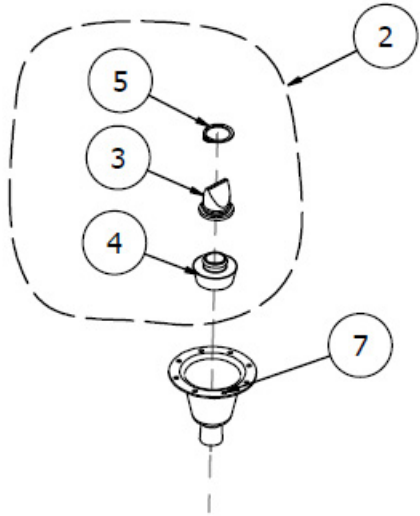
PUMPER TUBE INSTALLATION



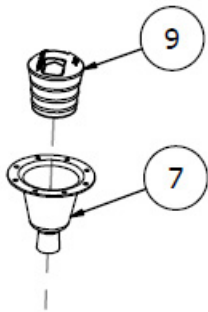
PARTS MANUAL
WIPLINE 7000 FLOATS

ITEM	QTY	PART NO.	PART DESCRIPTION
1	22.5 IN	RM618	PUMPOUT TUBE BLKHD 2
2	35.5 IN	RM618	PUMPOUT TUBE BLKHD 4 CTR
3	24 IN	RM618	PUMPOUT TUBE BLKHD 4 LT
3	26 IN	RM618	PUMPOUT TUBE BLKHD 4 LT AFT HOSE
5	24 IN	RM618	PUMPOUT TUBE BLKHD 4 RT
6	28 IN	RM618	PUMPOUT TUBE BLKHD 4 RT AFT HOSE
7	40 IN	RM618	PUMPOUT TUBE BLKHD 9
8	33 IN	RM618	PUMPOUT TUBE BLKHD 9 LT
9	33 IN	RM618	PUMPOUT TUBE BLKHD 9 RT
10	27 IN	RM618	PUMPOUT TUBE BLKHD 12 FWD
11	26.5 IN	RM618	PUMPOUT TUBE BLKHD 12
12	24 IN	RM618	PUMPOUT TUBE BLKHD 13
13	21.5 IN	RM618	PUMPOUT TUBE BLKHD 14
14	19 IN	RM618	PUMPOUT TUBE BLKHD 15
15	6	12CPVCL	ELBOW, TUBE, 1/2 X 1/2, PVC
16	1	PVC 20.00 LG	TUBE, 20.00 IN LG, PVC
17	6	PVC 1.50 LG	TUBE, 1.50 IN LG, PVC
18	2	PVC 6.50 LG	TUBE, 6.50 IN LG, PVC

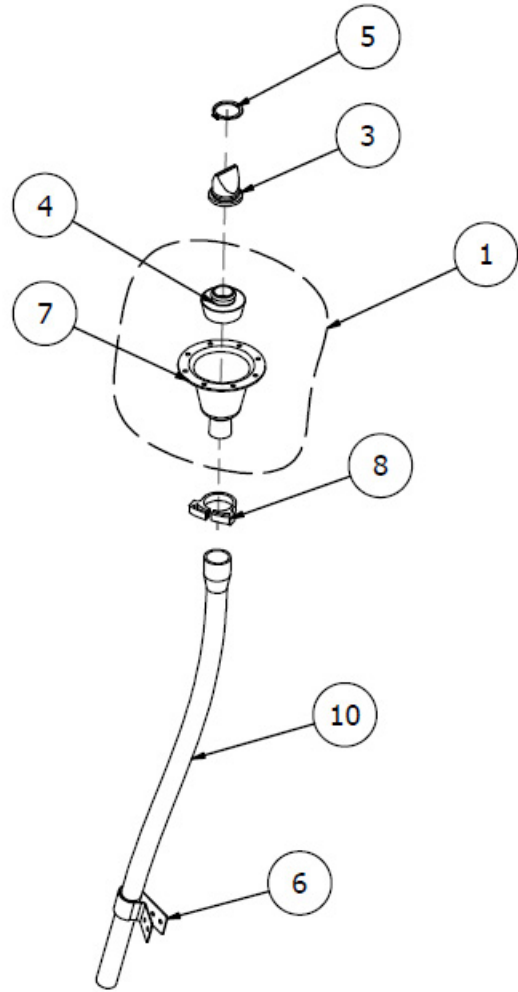
PUMPOUT CUP AND TUBE



DUCKBILL VALVE
RETROFIT



STOPPER



CUP ASSEMBLY
& TUBE

PARTS MANUAL
WIPLINE 7000 FLOATS

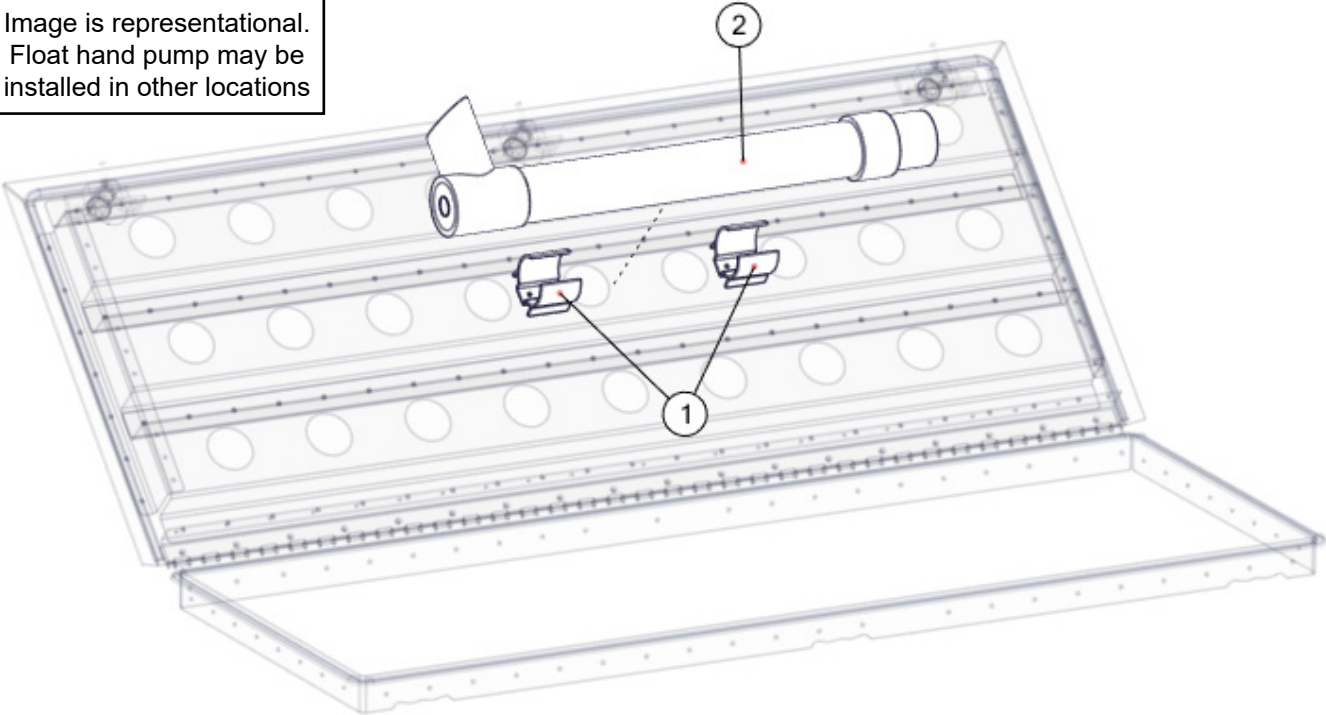
ITEM	QTY	PART NO.	PART DESCRIPTION	NOTE
1	1	1011004	ASSEMBLY, CUP, PUMPOUT, DUCKBILL	
2	1	1011075	KIT, PUMPOUT PLUG, DUCKBILL	1
3	1	1011870	VALVE, DUCKBILL	
4	1	1011808	RETAINER, VALVE, DUCKBILL, PUMPOUT PLUG	
5	1	91590A129	RETAINING RING, EXTERNAL, 13/16 OD, STAINLESS	
6	1	3A01158-003	CLAMP, PUMP OUT TUBE	
7	1	4A01749-001	CUP, PUMP OUT	
8	1	57134	CLAMP	
9	1	2111	STOPPER, PUMPOUT, LAKE AND AIR	2
10	A/R	RM618	TUBE, 5/8 OD, 1/2 ID	3

NOTES:

1. Parts kit that requires RTV adhesive, see service letter 240 for instructions.
2. Not compatible with 1011004.
3. Length in feet as required, see tube table for individual lengths.

FLOAT HAND PUMP

Image is representational.
Float hand pump may be
installed in other locations



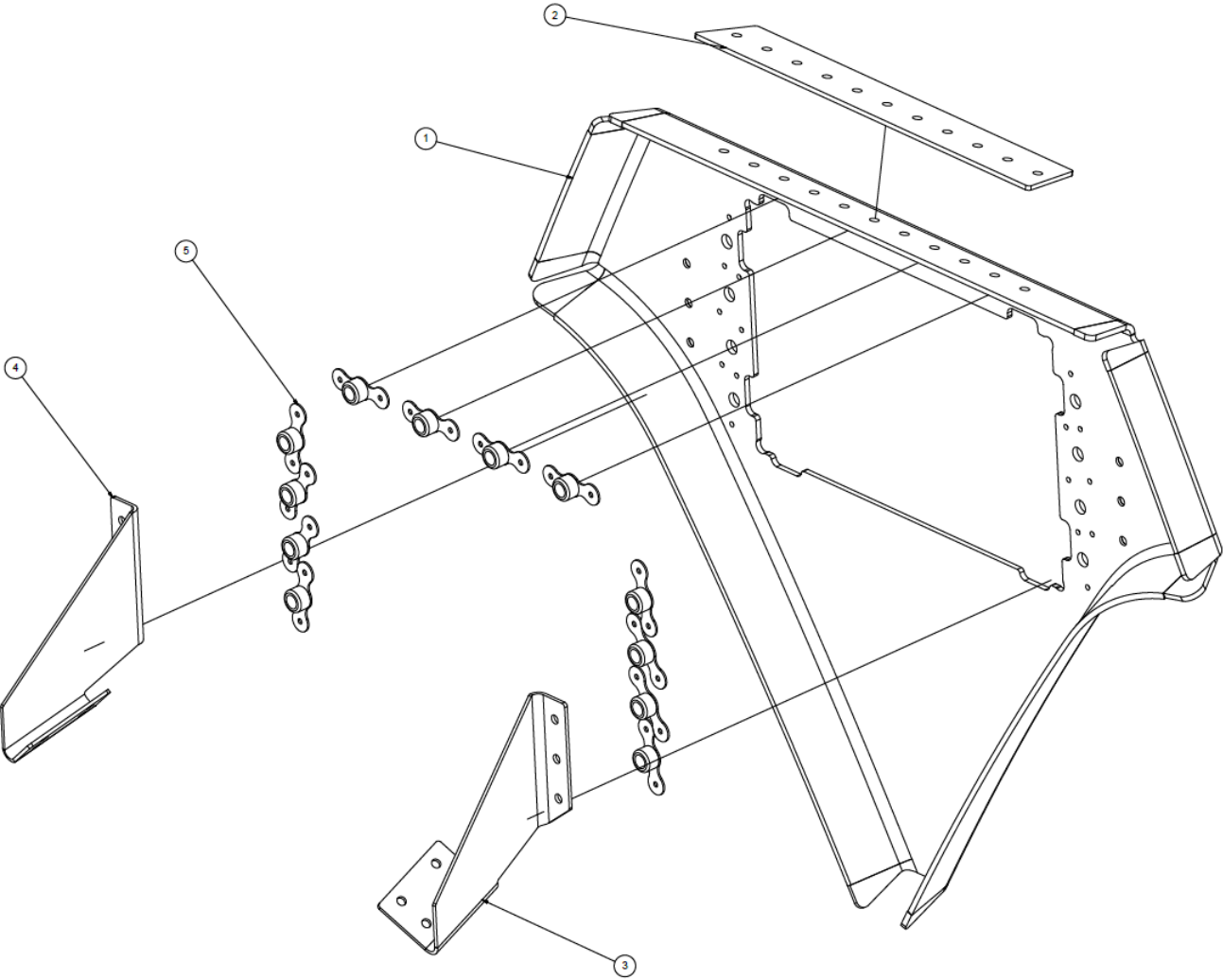
ITEM	QTY	PART NO.	PART DESCRIPTION
1	2	CM-2	CLIP, PLASTIC, PUMPOUT (SCREWS INCLUDED, MAY BE RIVETED IN)
2	1	F15PX	PUMP, HAND, FLOAT, 15"
2 (ALT)	1	F24PX	PUMP, HAND, FLOAT, 24"
2 (ALT)	1	F36PX	PUMP, HAND, FLOAT, 36"

SECTION 3 FORWARD BULKHEADS

CONTENTS

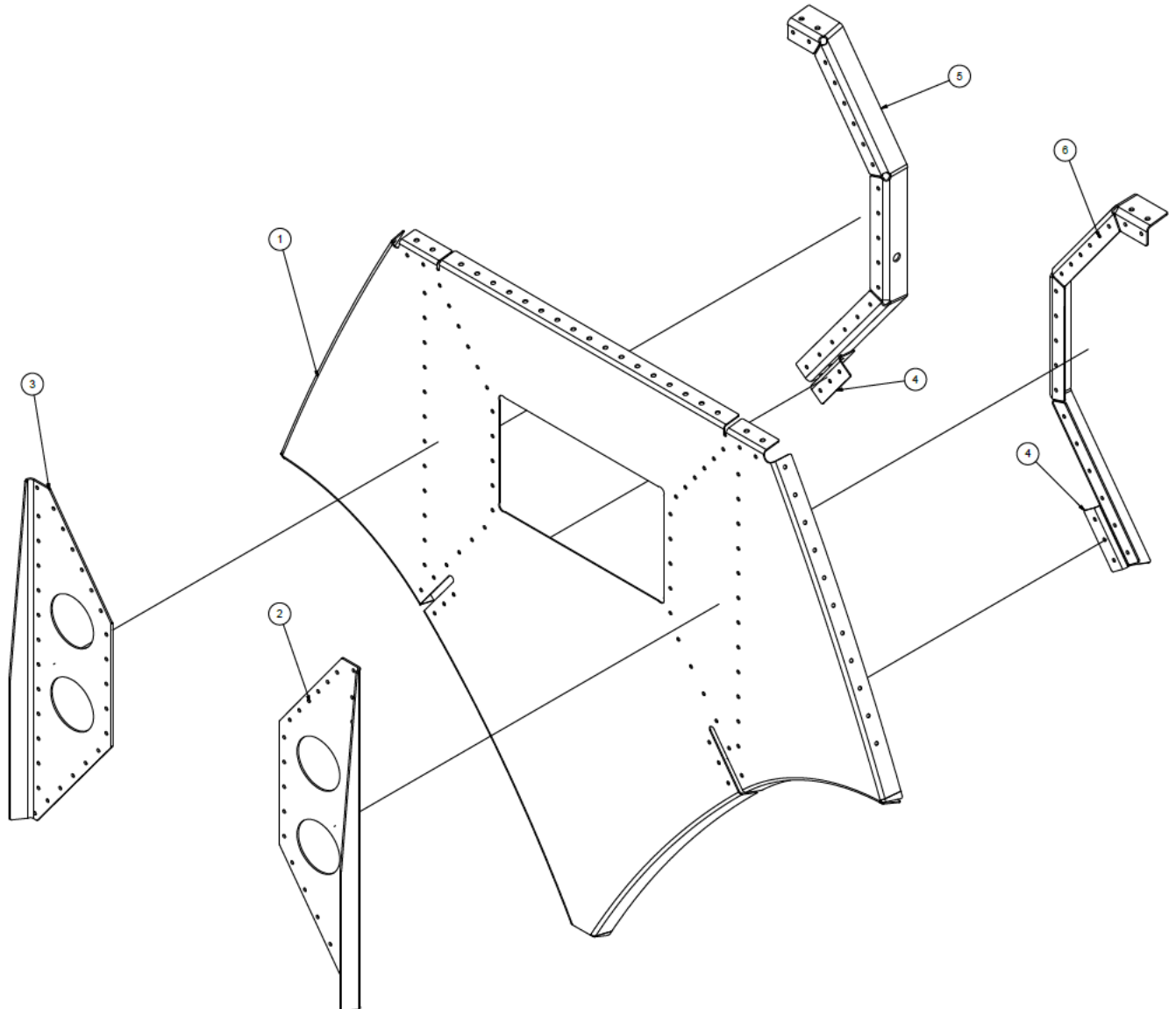
BULKHEAD ASSEMBLY 1	30
BULKHEAD ASSEMBLY 2	31
BULKHEAD ASSEMBLY 3	32
BULKHEAD ASSEMBLY 4 LEFT FLOAT	33
BULKHEAD ASSEMBLY 4 RIGHT FLOAT	35
BULKHEAD ASSEMBLY 5	37
BULKHEAD ASSEMBLY 6	39
BULKHEAD ASSEMBLY 8	41
BULKHEAD ASSEMBLY 9	43
BULKHEAD ASSEMBLY 10 LEFT FLOAT	45
BULKHEAD ASSEMBLY 10 RIGHT FLOAT	48
TRUNION ASSEMBLY LEFT	51
TRUNION ASSEMBLY RIGHT	52

BULKHEAD ASSEMBLY 1



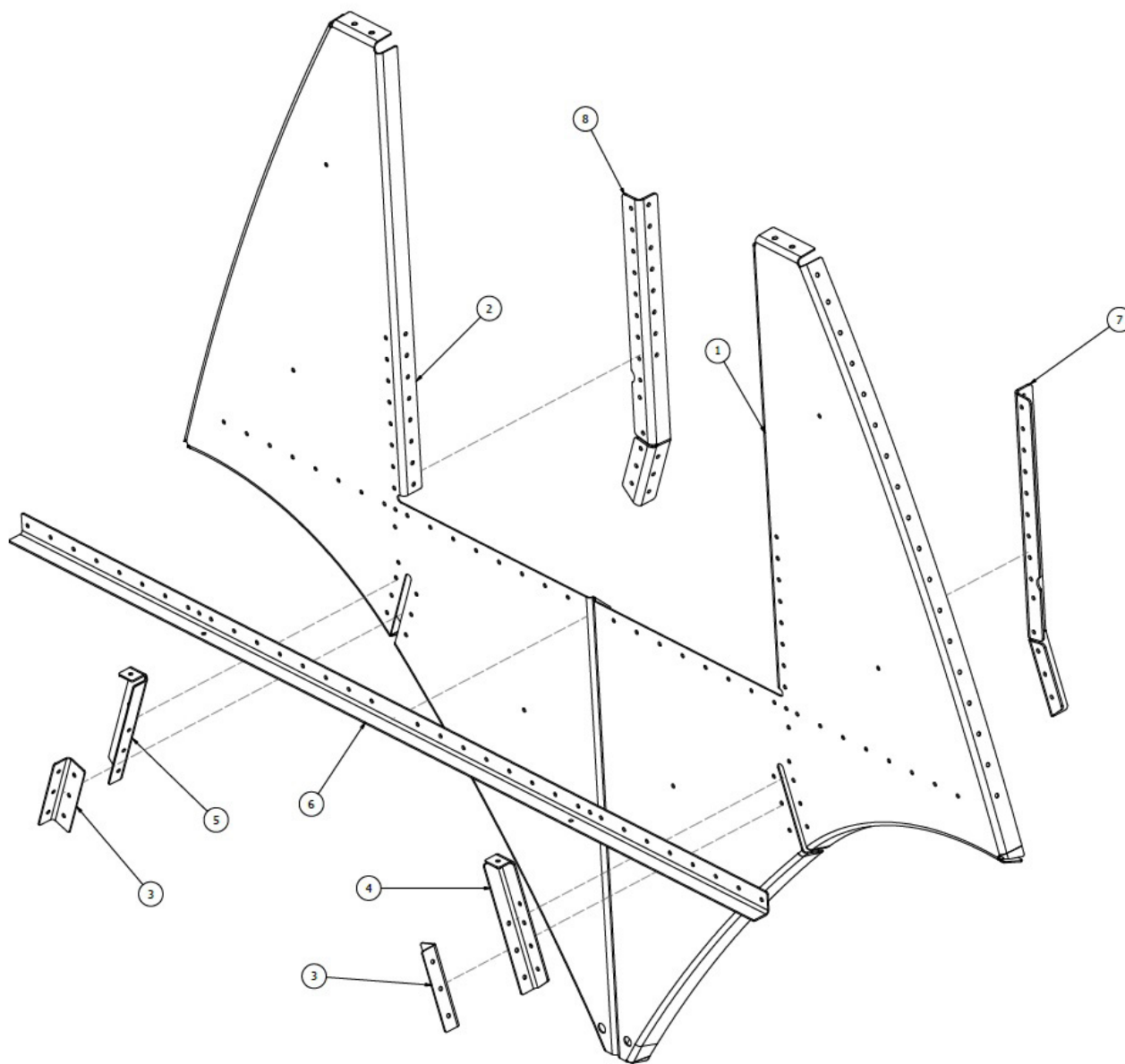
ITEM	QTY	PART NO.	PART DESCRIPTION
-	1	1003035	ASSY, BULKHEAD 1
1	1	1003049	PANEL, BLKHD #1
2	1	1003143	SPACER, TOP SKIN, BLKHD #1
3	1	1003663	BRACKET, RH, SISTER KEEL, BLKHD #1
4	1	1003664	BRACKET, LH, SISTER KEEL, BLKHD #1
5	12	MS21047L4	NUT PLATE, SELF LOCKING

BULKHEAD ASSEMBLY 2



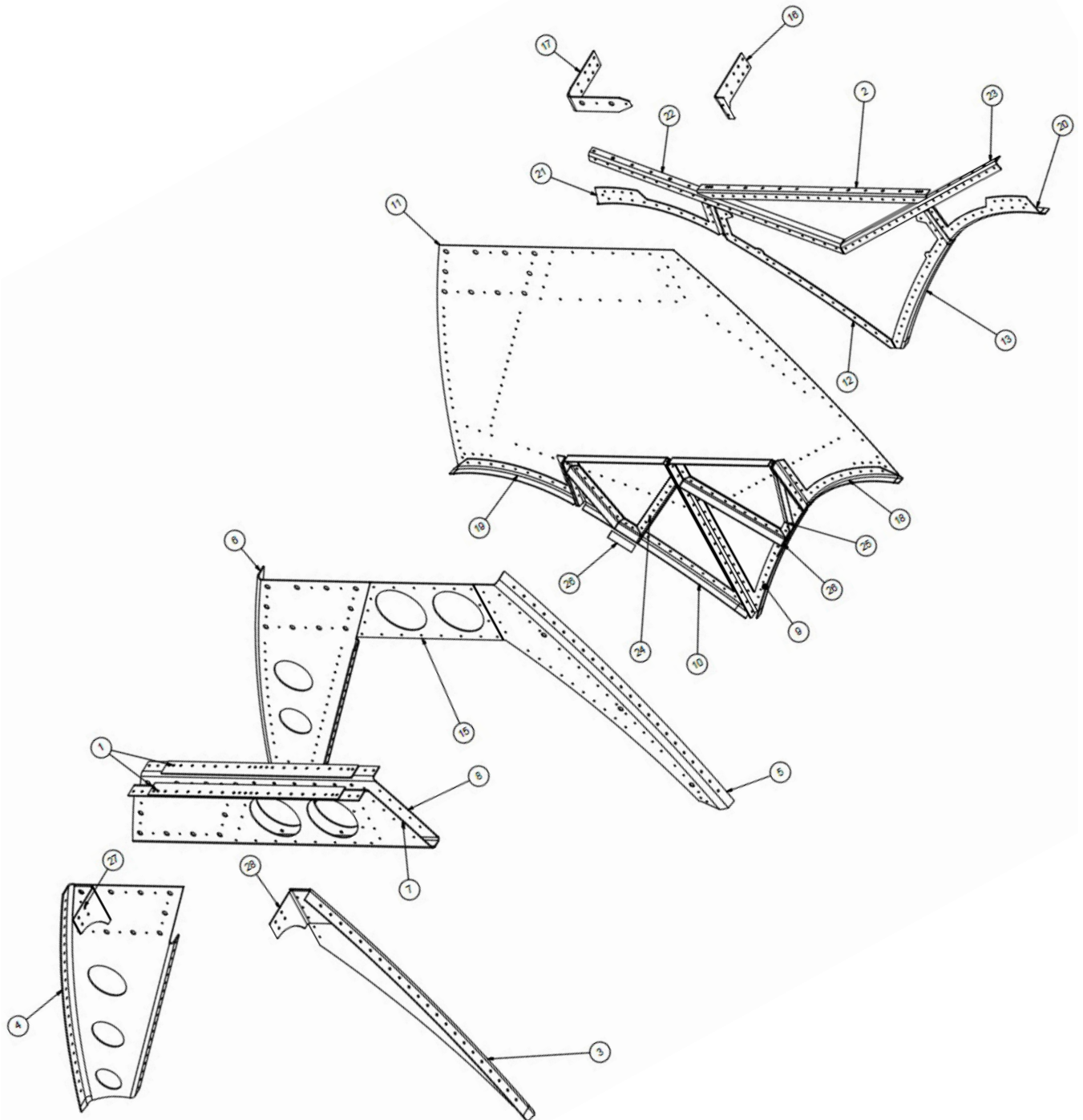
ITEM	QTY	PART NO.	PART DESCRIPTION
-	1	1003036	ASSY, BULKHEAD #2
1	1	1002929	PANEL, BULKHEAD #2
2	1	1003225	STIFFENER, NOSE BOX SUPPORT, LT, BULKHEAD #2
3	1	1003226	STIFFENER, NOSE BOX SUPPORT, RH, BULKHEAD #2
6	1	1003731	SUPPORT, NOSE BOX, LH, BULKHEAD 2
4	2	1003694	CLEAT, BULKHEAD #2
5	1	1003730	SUPPORT, NOSE BOX, RH, BULKHEAD 2

BULKHEAD ASSEMBLY 3



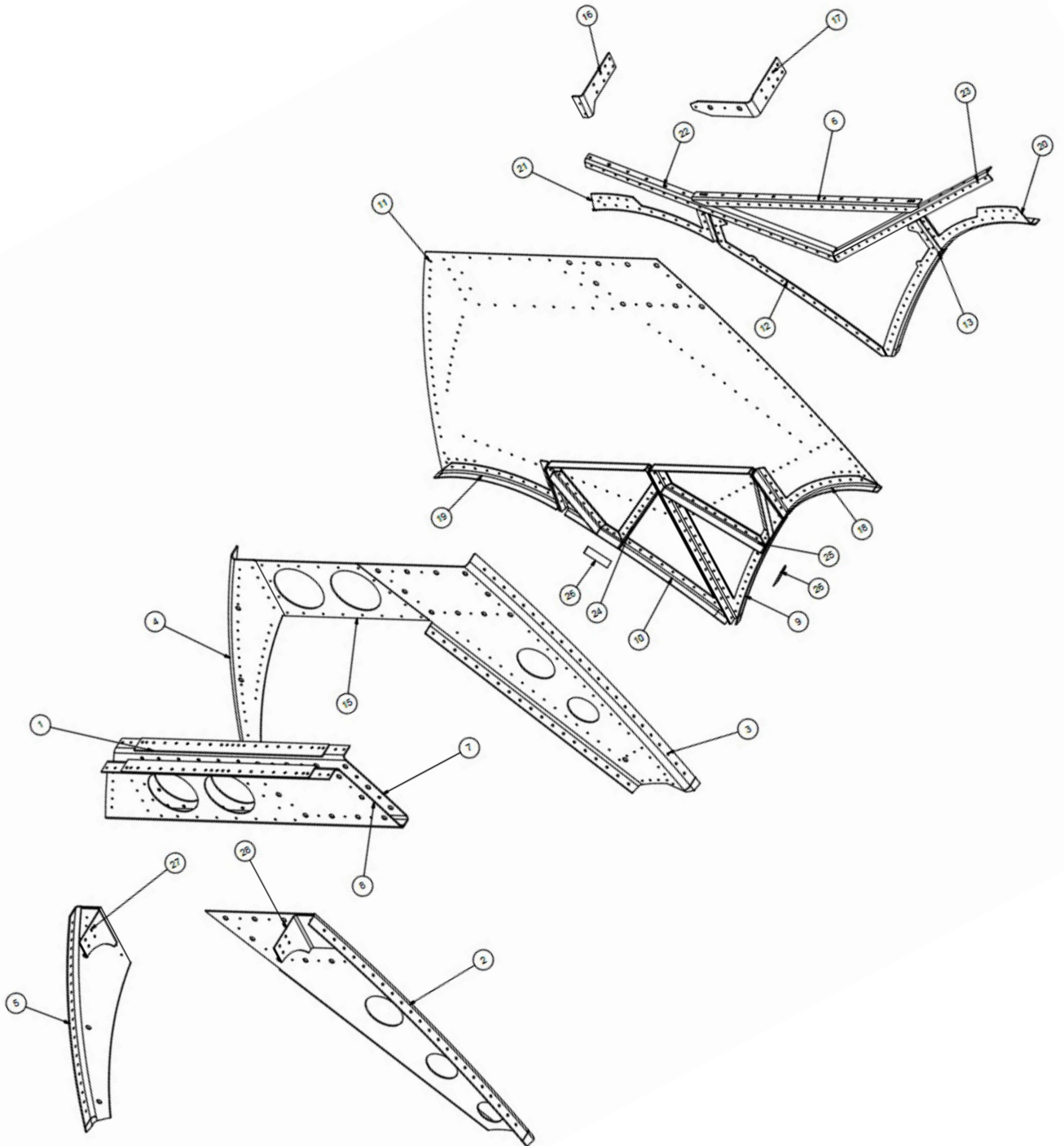
ITEM	QTY	PART NO.	PART DESCRIPTION
-	1	1003037	ASSY, BULKHEAD 3
1	1	1003095	PANEL, LEFT, BLKHD #3
2	1	1003096	PANEL, RIGHT, BLKHD #3
3	2	1003259	CLEAT, BLKHD #3
4	1	1003261	CLEAT, HORIZ TIE, LH, BLKHD #3
5	1	1003262	CLEAT, HORIZ TIE, RH, BLKHD #3
6	1	1003264	STIFFENER, BLKHD #3
7	1	1003735	CLEAT, STIFFENER, LH, BLKHD #3, 7000
8	1	1003736	CLEAT, STIFFENER, RH, BLKHD #3, 7000

BULKHEAD ASSEMBLY 4 LEFT FLOAT



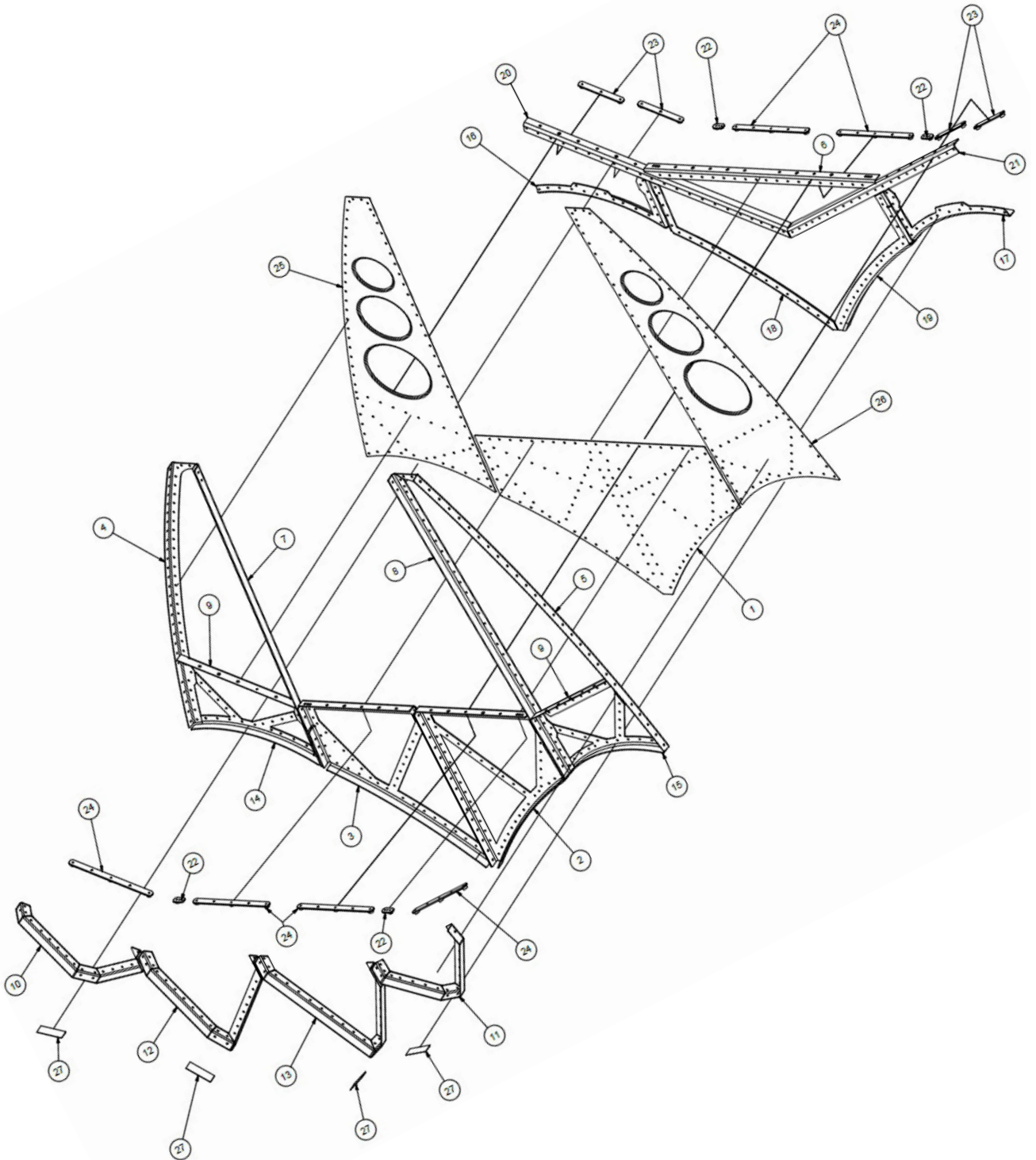
ITEM	QTY	PART NO.	PART DESCRIPTION
-	1	1003038	ASSY, BLKHD #4, LT FLT, 7000
1	2	1002748	SPACER, SUPER PANEL
2	1	1002940	SUPPORT, BAGGAGE FLOOR, BULKHEAD 4, 5
3	1	1002943	LEG, SUPERPANEL, FWD, OBRD, BLKHD #04, LT FLT
4	1	1002944	LEG, SUPERPANEL, FWD, IBRD, BLKHD #04, LT FLT
5	1	1002945	LEG, SUPERPANEL, AFT, OBRD, BLKHD #04, LT FLT
6	1	1002946	LEG, SUPERPANEL, AFT, IBRD, BLKHD #04, LT FLT
7	1	1002947	BRACE, SUPERPANEL, BLKHD #04
8	1	1002948	BRACE, SUPERPANEL, BLKHD #04
9	1	1002949	FLUTE, FWD, LH, BLKHD #4
10	1	1002950	FLUTE, FWD, RH, BLKHD #4
11	1	1002951	PANEL, MAIN, BULKHEAD #4
12	1	1002952	FLANGE, BOTTOM, CENTER, RH, BULKHEAD 4
13	1	1002953	FLANGE, BOTTOM, CENTER, LH, BULKHEAD 4
15	1	1002955	BRACE, DOUBLER, BLKHD #04
16	1	1003052	CLEAT, BULKHEAD 4, LEFT FLOAT
17	1	1003059	CLEAT, RH, IBRD, GUNWALL, BLKHD #04
18	1	1003637	FLANGE, BOTTOM, SIDE, FWD, LEFT, BLKHD 4, 7000
19	1	1003638	FLANGE, BOTTOM, SIDE, FWD, RIGHT, BLKHD 4, 7000
20	1	1003641	FLANGE, BOTTOM, SIDE, AFT, LH, BLKHD 4
21	1	1003642	FLANGE, BOTTOM, SIDE, AFT, RH, BLKHD 4
22	1	1003643	STIFFENER, DIAGONAL, RH, BAGGAGE FLOOR, BULKHEAD 4
23	1	1003644	STIFFENER, DIAGONAL, LH, BAGGAGE FLOOR, BULKHEAD 4
24	1	1003645	TRUSS, FLUTE SUPPORT, BULKHEAD
25	1	1003646	TRUSS, FLUTE SUPPORT, BULKHEAD
26	2	1003811	SHIM, BULKHEAD 4, 7000
27	1	1004246	GUSSET, BULKHEAD 4, FWD, INBOARD, LEFT FLOAT
28	1	1004248	GUSSET, BULKHEAD 4, FWD, OUTBOARD, LEFT FLOAT

BULKHEAD ASSEMBLY 4 RIGHT FLOAT



ITEM	QTY	PART NO.	PART DESCRIPTION
-	1	1003039	ASSY, BLKHD #4, RT FLT, 7000
1	2	1002748	SPACER, SUPER PANEL
2	1	1002911	LEG, SUPERPANEL, FWD, IBRD, BLKHD #4, RT FLT
3	1	1002912	LEG, SUPERPANEL, AFT, IBRD, BLKHD #04, RT FLT
4	1	1002915	LEG, SUPERPANEL, AFT, OBRD, BLKHD #04, RT FLT
5	1	1002916	LEG, SUPERPANEL, FWD, OBRD, BLKHD #04, RT FLT
6	1	1002940	SUPPORT, BAGGAGE FLOOR, BULKHEAD 4, 5
7	1	1002947	BRACE, SUPERPANEL, BLKHD #04
8	1	1002948	BRACE, SUPERPANEL, BLKHD #04
9	1	1002949	FLUTE, FWD, LH, BLKHD #4
10	1	1002950	FLUTE, FWD, RH, BLKHD #4
11	1	1002951	PANEL, MAIN, BULKHEAD #4
12	1	1002952	FLANGE, BOTTOM, CENTER, RH, BULKHEAD 4
13	1	1002953	FLANGE, BOTTOM, CENTER, LH, BULKHEAD 4
15	1	1002955	BRACE, DOUBLER, BLKHD #04
16	1	1003053	CLEAT, BULKHEAD 4, RIGHT FLOAT
17	1	1003060	CLEAT, LT, IB, GUNWALL, BLKHD #4
18	1	1003637	FLANGE, BOTTOM, SIDE, FWD, LEFT, BLKHD 4, 7000
19	1	1003638	FLANGE, BOTTOM, SIDE, FWD, RIGHT, BLKHD 4, 7000
20	1	1003641	FLANGE, BOTTOM, SIDE, AFT, LH, BLKHD 4
21	1	1003642	FLANGE, BOTTOM, SIDE, AFT, RH, BLKHD 4
22	1	1003643	STIFFENER, DIAGONAL, RH, BAGGAGE FLOOR, BULKHEAD 4
23	1	1003644	STIFFENER, DIAGONAL, LH, BAGGAGE FLOOR, BULKHEAD 4
24	1	1003645	TRUSS, FLUTE SUPPORT, BULKHEAD
25	1	1003646	TRUSS, FLUTE SUPPORT, BULKHEAD
26	2	1003811	SHIM, BULKHEAD 4, 7000
27	1	1004249	GUSSET, BULKHEAD 4, FWD, OUTBOARD, RIGHT FLOAT
28	1	1004247	GUSSET, BULKHEAD 4, FWD, INBOARD, RIGHT FLOAT

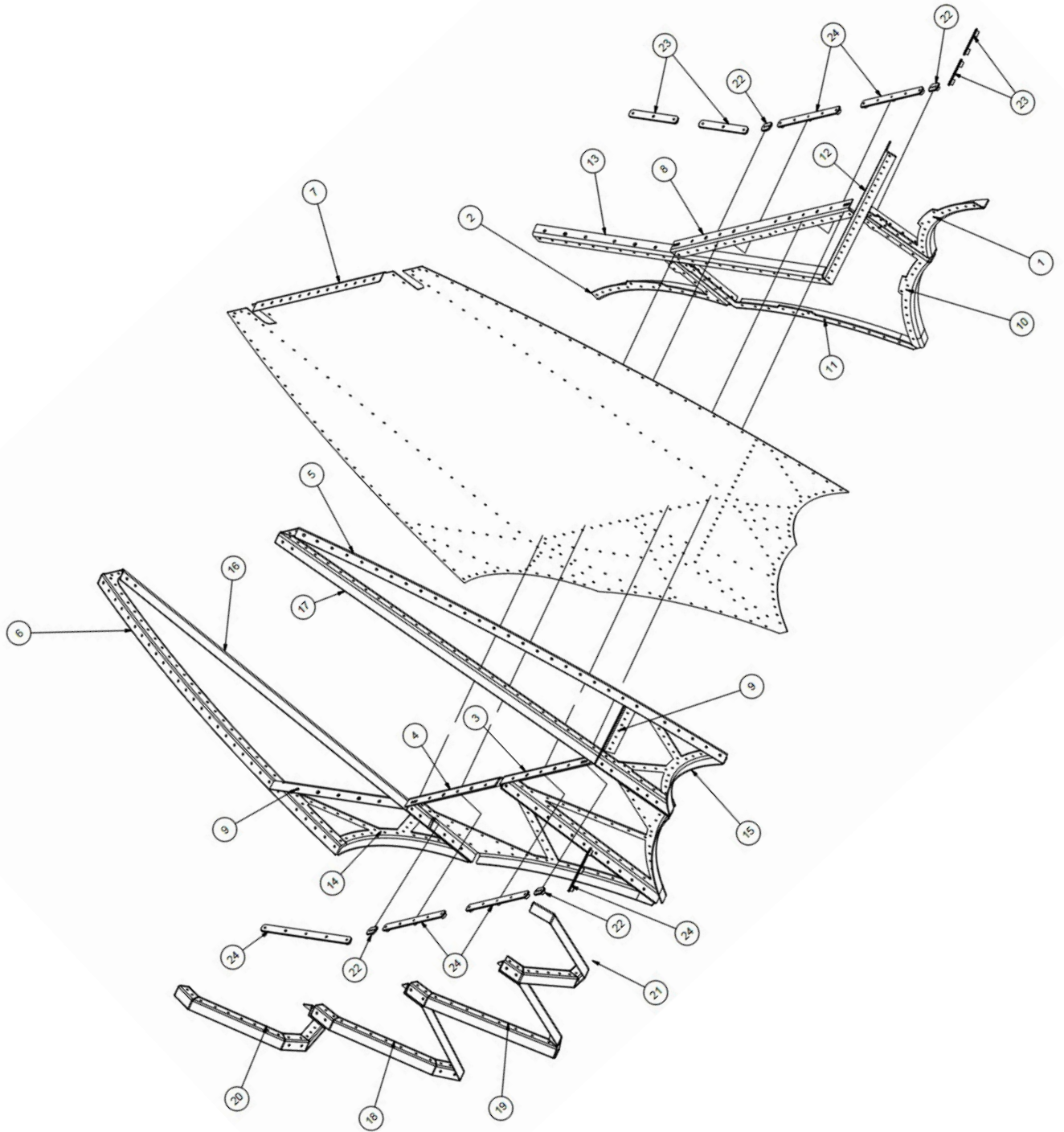
BULKHEAD ASSEMBLY 5



ITEM	QTY	PART NO.	PART DESCRIPTION
-	1	1003040	ASSY, BULKHEAD, #5
1	1	1002881	PANEL, MAIN, BULKHEAD #5
2	1	1002897	FLUTE, FWD, LH, BLKHD #5
3	1	1002898	FLUTE, FWD, RH, BLKHD #5
4	1	1002899	FLANGE, SIDE, BULKHEAD
5	1	1002900	FLANGE, SIDE, BULKHEAD
6	1	1002940	SUPPORT, BAGGAGE FLOOR, BULKHEAD 4, 5
7	1	1003608	STIFFENER, VERTICAL, RH, BLKHD #5
8	1	1003609	STIFFENER, VERTICAL, LH, BLKHD #5
9	2	1003611	SUPPORT, BAGGAGE FLOOR SIDES, BULKHEAD #5
10	1	1003612	TRUSS, FLUTE SUPPORT, OBRD, RT, BLKHD #5
11	1	1003613	TRUSS, FLUTE SUPPORT, OBRD, LT, BLKHD #5
12	1	1003614	TRUSS, FLUTE SUPPORT, IBRD, RT, BLKHD #5
13	1	1003615	TRUSS, FLUTE SUPPORT, IBRD, LT, BLKHD #5
14	1	1003616	FLANGE, BOTTOM, SIDE, FWD, RH, BLKHD #5
15	1	1003617	FLANGE, BOTTOM, SIDE, FWD, LH, BLKHD #5
16	1	1003618	FLANGE, BOTTOM, SIDE, AFT, RH, BLKHD #5
17	1	1003619	FLANGE, BOTTOM, SIDE, AFT, LH, BLKHD #5
18	1	1003620	FLANGE, BOTTOM, CENTER, RH, BULKHEAD #5
19	1	1003621	FLANGE, BOTTOM, CENTER, LH, BULKHEAD #5
20	1	1003622	STIFFENER, DIAGONAL, RH, BAGGAGE FLOOR, BULKHEAD #5
21	1	1003623	STIFFENER, DIAGONAL, LH, BAGGAGE FLOOR, BULKHEAD #5
22	4	1003691*	NUTPLATE, CORROSION RESISTANT, SINGLE
23	4	1003692*	NUTPLATE, CORROSION RESISTANT, DOUBLE
24	6	1003693*	NUTPLATE, CORROSION RESISTANT, TRIPLE
25	1	1003780	PANEL, SIDE, RH, BULKHEAD #5
26	1	1003781	PANEL, SIDE, LH, BULKHEAD #5
27	4	1003812	SHIM, BULKHEAD #5, 7000

* ALTERNATE PART # 9A3-671 MAY BE USED

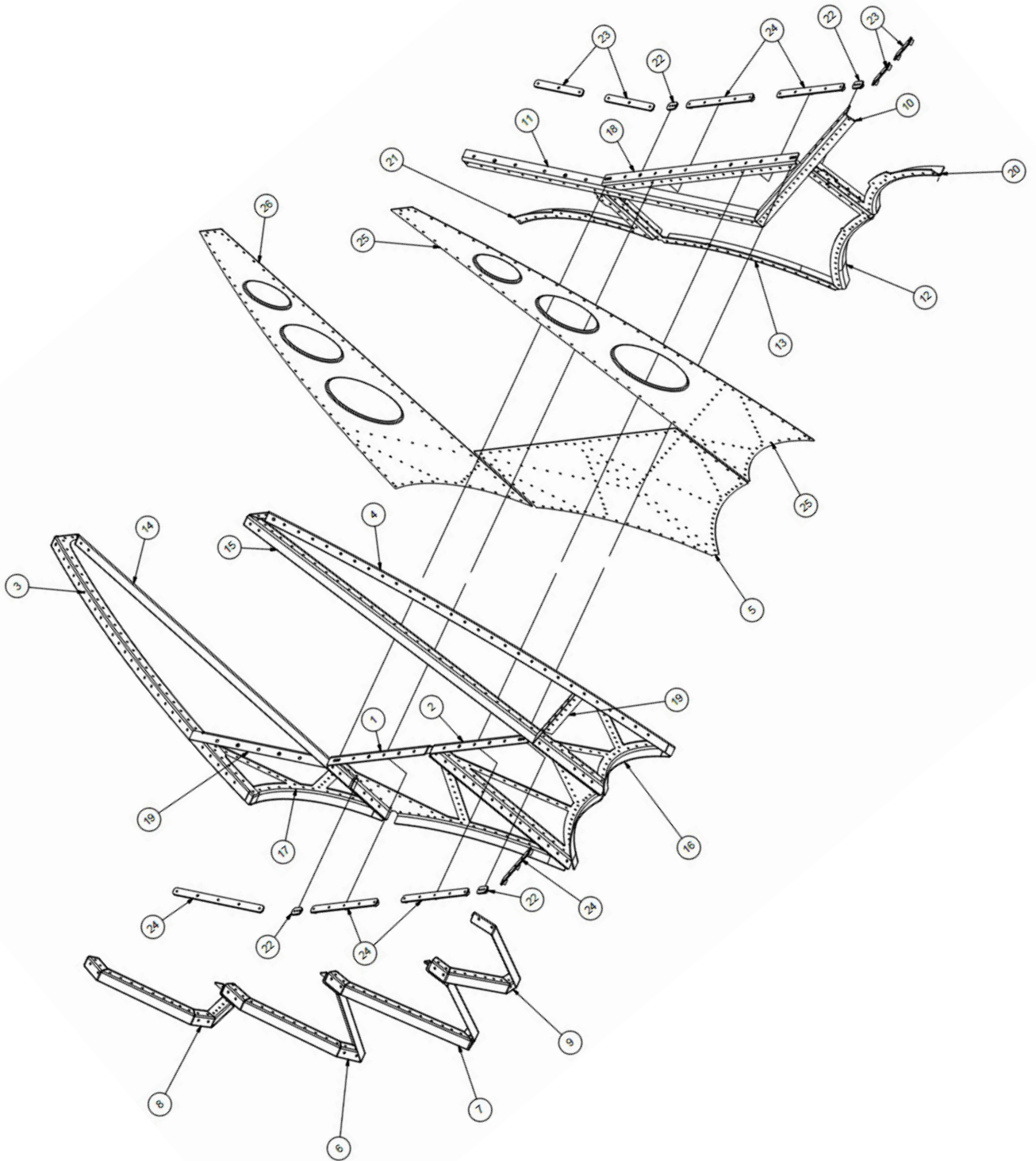
BULKHEAD ASSEMBLY 6



ITEM	QTY	PART NO.	PART DESCRIPTION
-	1	1003041	ASSY, BULKHEAD #6
1	1	1002840	FLANGE, BOTTOM, SIDE, AFT, LH, BLKHD 6
2	1	1002841	FLANGE, BOTTOM, SIDE, AFT, RH, BLKHD 6
3	1	1002843	FLUTE, FWD, RH, BLKHD #6
4	1	1002844	FLUTE, FWD, LH, BLKHD #6
5	1	1002846	FLANGE, SIDE, BULKHEAD
6	1	1002847	FLANGE, SIDE, BULKHEAD
7	1	1002849	PANEL, MAIN, BULKHEAD #6
8	1	1002942	SUPPORT, BAGGAGE FLOOR, BULKHEAD 6
9	2	1003605	SUPPORT, BAGGAGE FLOOR SIDES, BULKHEAD 6
10	1	1003624	FLANGE, BOTTOM, CENTER, LH, BULKHEAD 6
11	1	1003625	FLANGE, BOTTOM, CENTER, RH, BULKHEAD 6
12	1	1003626	STIFFENER, DIAGONAL, LH, BAGGAGE FLOOR, BULKHEAD 6
13	1	1003627	STIFFENER, DIAGONAL, RH, BAGGAGE FLOOR, BULKHEAD 6
14	1	1003628	FLANGE, BOTTOM, SIDE, FWD, RH, BLKHD 6
15	1	1003629	FLANGE, BOTTOM, SIDE, FWD, LH, BLKHD 6
16	1	1003630	STIFFENER, VERTICAL, RH, BLKHD 6
17	1	1003631	STIFFENER, VERTICAL, LH, BLKHD 6
18	1	1003632	TRUSS, FLUTE SUPPORT, IBRD, RT, BLKHD 6
19	1	1003633	TRUSS, FLUTE SUPPORT, IBRD, LT, BLKHD 6
20	1	1003634	TRUSS, FLUTE SUPPORT, RT, OBRD, BLKHD 6
21	1	1003635	TRUSS, FLUTE SUPPORT, LT, OBRD, BLKHD 6
22	4	1003691*	NUTPLATE, CORROSION RESISTANT, SINGLE
23	4	1003692*	NUTPLATE, CORROSION RESISTANT, DOUBLE
24	6	1003693*	NUTPLATE, CORROSION RESISTANT, TRIPLE

* ALTERNATE PART # 9A3-671 MAY BE USED

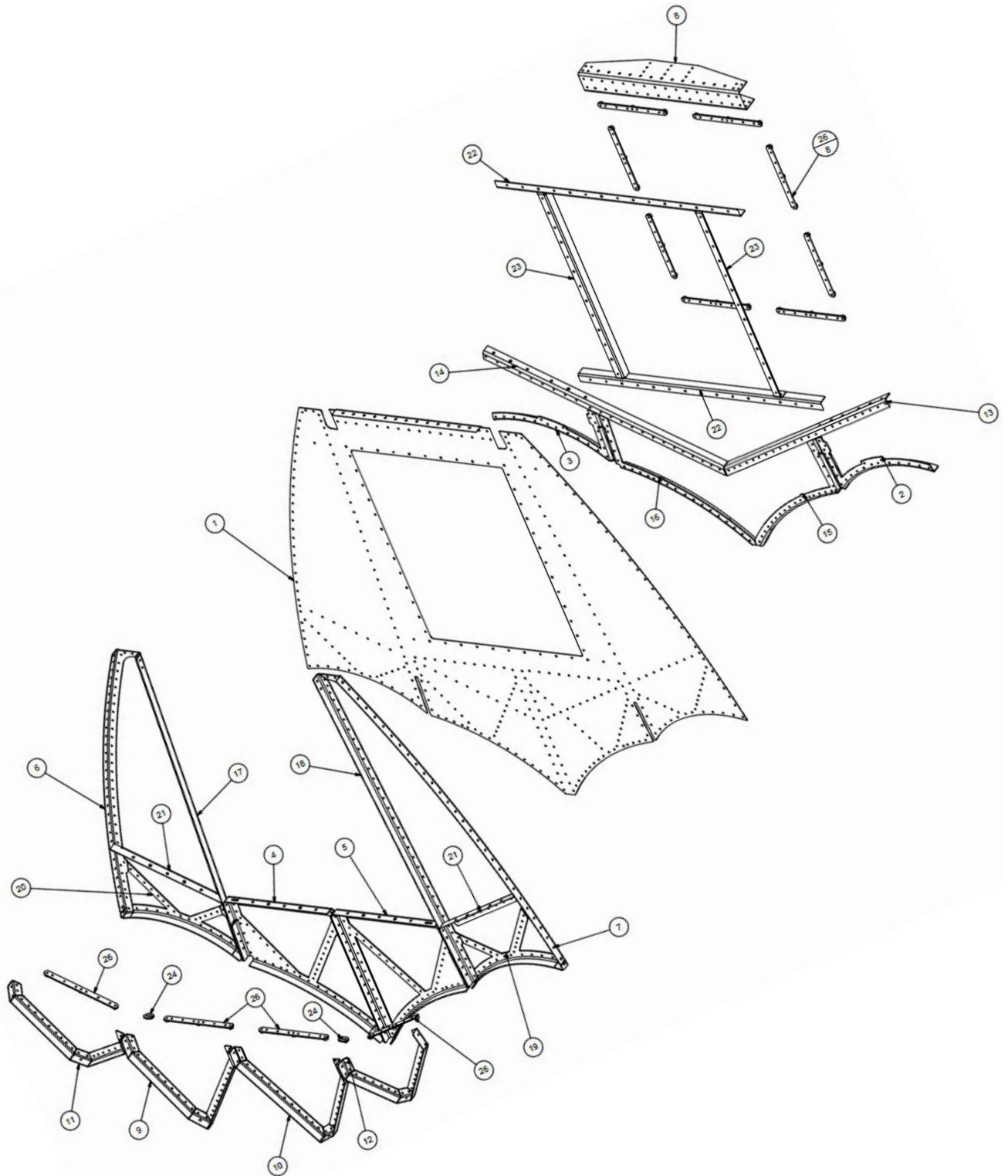
BULKHEAD ASSEMBLY 8



ITEM	QTY	PART NO.	PART DESCRIPTION
-	1	1003042	ASSY, BULKHEAD #8
1	1	1002873	FLUTE, FWD, RH, BLKHD #9
2	1	1002874	FLUTE, FWD, LH, BLKHD #9
3	1	1002875	FLANGE, SIDE, BULKHEAD
4	1	1002876	FLANGE, SIDE, BULKHEAD
5	1	1002891	PANEL, MAIN, BULKHEAD #8
6	1	1003550	TRUSS, FLUTE SUPPORT, IBRD, RT, BLKHD 9
7	1	1003551	TRUSS, FLUTE SUPPORT, IBRD, LT, BLKHD 9
8	1	1003552	TRUSS, FLUTE SUPPORT, OBRD, RT, BLKHD 9
9	1	1003553	TRUSS, FLUTE SUPPORT, OBRD, LT, BLKHD 9
10	1	1003554	STIFFENER, DIAGONAL, RH, BAGGAGE FLOOR, BULKHEAD 8 & 9
11	1	1003555	STIFFENER, DIAGONAL, LH, BAGGAGE FLOOR, BULKHEAD 8 & 9
12	1	1003556	FLANGE, BOTTOM, CENTER, LH, BULKHEAD 8, 9
13	1	1003557	FLANGE, BOTTOM, CENTER, RH, BULKHEAD 8, 9
14	1	1003558	STIFFENER, VERTICAL, RH, BLKHD #9
15	1	1003559	STIFFENER, VERTICAL, LH, BLKHD #9
16	1	1003560	FLANGE, BOTTOM, SIDE, FWD LH, BLKHD 8 & 9
17	1	1003561	FLANGE, BOTTOM, SIDE, FWD, RH, BLKHD 8 & 9
18	1	1003562	SUPPORT, BAGGAGE FLOOR, BULKHEAD 8
19	2	1003604	SUPPORT, BAGGAGE FLOOR SIDES, BULKHEAD 8 & 9
20	1	1003670	FLANGE, BOTTOM, SIDE, AFT, LH, BLKHD 8
21	1	1003671	FLANGE, BOTTOM, SIDE, AFT, RH, BLKHD 8
22	4	1003691*	NUTPLATE, CORROSION RESISTANT, SINGLE
23	4	1003692*	NUTPLATE, CORROSION RESISTANT, DOUBLE
24	6	1003693*	NUTPLATE, CORROSION RESISTANT, TRIPLE
25	1	1003778	PANEL, SIDE, LH, BULKHEAD #8
26	1	1003779	PANEL, SIDE, RH, BULKHEAD #8

* ALTERNATE PART # 9A3-671 MAY BE USED

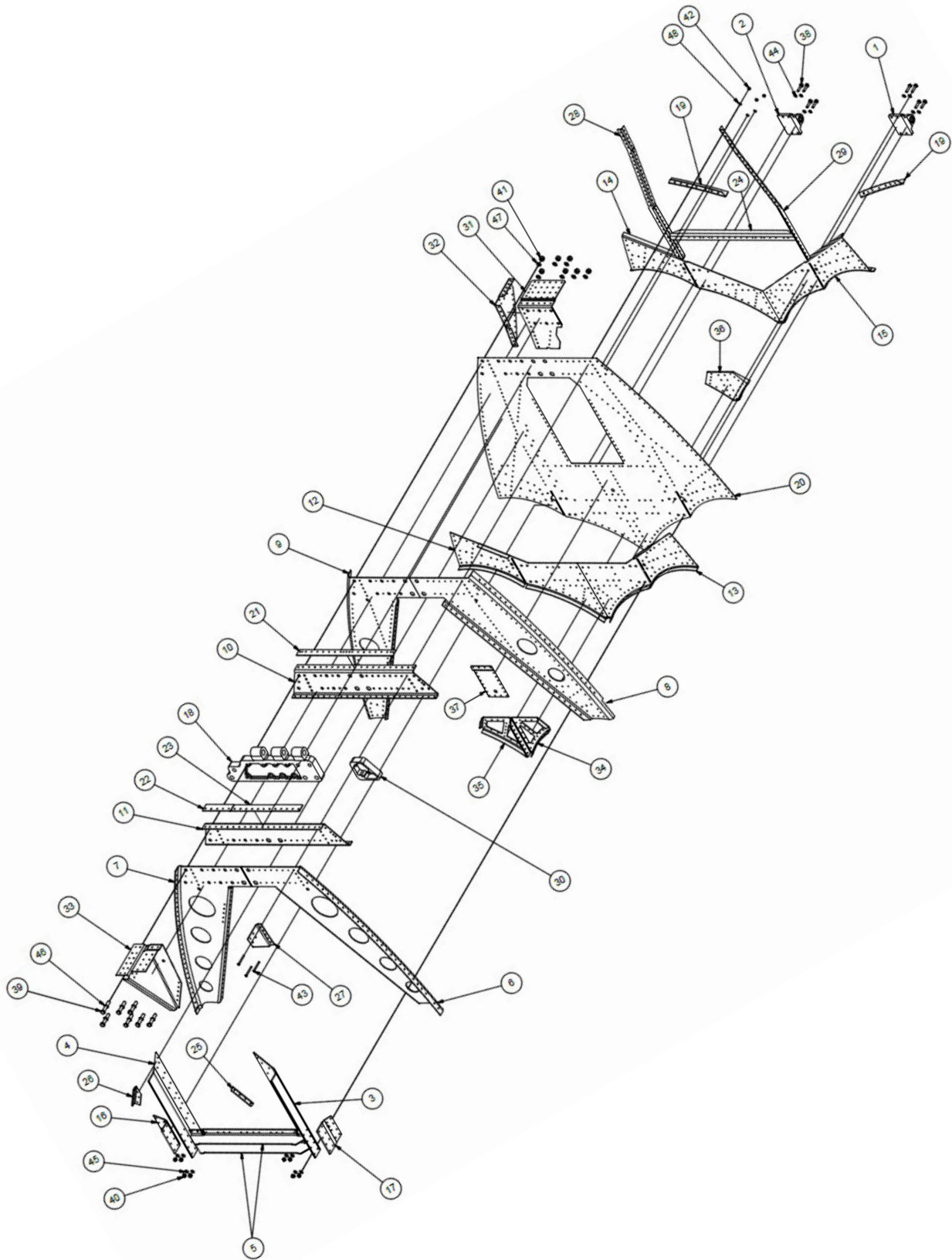
BULKHEAD ASSEMBLY 9



ITEM	QTY	PART NO.	PART DESCRIPTION
-	1	1003043	ASSY, BULKHEAD 9
1	1	1002859	PANEL, MAIN, BULKHEAD #9
2	1	1002871	FLANGE, BOTTOM, SIDE, AFT, LH, BLKHD 9
3	1	1002872	FLANGE, BOTTOM, SIDE, AFT, RH, BLKHD 9
4	1	1002873	FLUTE, FWD, RH, BLKHD 7, 8, 9
5	1	1002874	FLUTE, FWD, LH, BLKHD 7, 8, 9
6	1	1002875	FLANGE, SIDE, RH, BULKHEAD 7, 8, 9
7	1	1002876	FLANGE, SIDE, LH, BULKHEAD 7, 8, 9
8	1	1002973	C-CHANNEL REINFORCMENT
9	1	1003550	TRUSS, FLUTE SUPPORT, IBRD, RT, BLKHD 9
10	1	1003551	TRUSS, FLUTE SUPPORT, IBRD, LT, BLKHD 9
11	1	1003552	TRUSS, FLUTE SUPPORT, OBRD, RT, BLKHD 8
12	1	1003553	TRUSS, FLUTE SUPPORT, OBRD, LT, BLKHD 8
13	1	1003554	STIFFENER, DIAGONAL, RH, BAGGAGE FLOOR, BULKHEAD 8 & 9
14	1	1003555	STIFFENER, DIAGONAL, LH, BAGGAGE FLOOR, BULKHEAD 8 & 9
15	1	1003556	FLANGE, BOTTOM, CENTER, LH, BULKHEAD 8, 9
16	1	1003557	FLANGE, BOTTOM, CENTER, RH, BULKHEAD 8, 9
17	1	1003558	STIFFENER, VERTICAL, RH, BLKHD 7, 8, 9
18	1	1003559	STIFFENER, VERTICAL, LH, BLKHD 7, 8, 9
19	1	1003560	FLANGE, BOTTOM, SIDE, FWD LH, BLKHD 8 & 9
20	1	1003561	FLANGE, BOTTOM, SIDE, FWD, RH, BLKHD 8 & 9
21	2	1003604	SUPPORT, BAGGAGE FLOOR SIDES, BULKHEAD 8 & 9
22	2	1003689	STIFFENER, HORIZONTAL, ACCESS PANEL, BULKHEAD 9
23	2	1003690	STIFFENER, VERTICAL, ACCESS PANEL, BULKHEAD 9
24	2	1003691*	NUTPLATE, CORROSION RESISTANT, SINGLE
26	12	1003693*	NUTPLATE, CORROSION RESISTANT, TRIPLE

* ALTERNATE PART # 9A3-671 MAY BE USED

BULKHEAD ASSEMBLY 10 LEFT FLOAT

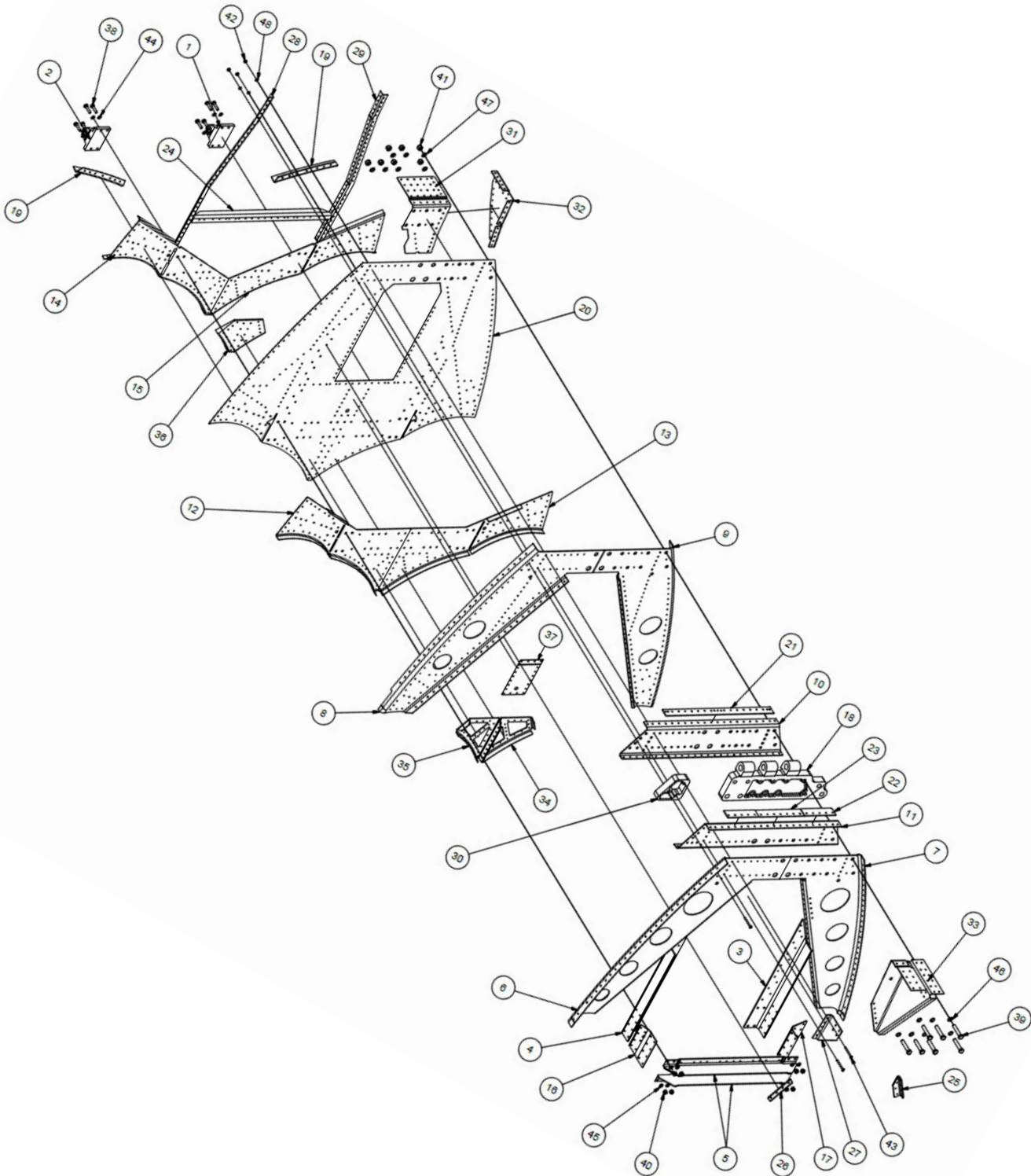


ITEM	QTY	PART NO.	PART DESCRIPTION
-	1	1002745	ASSY,BULKHEAD 10, LEFT FLOAT
1	1	1002706	ASSY, TRUNION, LH
2	1	1002708	ASSY, TRUNION, RH
3	1	1002709	ANGLE, TRUNION, LH, BLKHD #10
4	1	1002710	ANGLE, TRUNION, RH, BLKHD #10
5	2	1002712	ANGLE, TRUNION, HORIZONTAL, BLKHD #10
6	1	1002714	LEG, SUPERPANEL, FWD, OBRD, BLKHD #10, LT FLT
7	1	1002718	LEG, SUPERPANEL, FWD, IBRD, BLKHD #10, LT FLT
8	1	1002721	LEG, SUPERPANEL, AFT, OBRD, BLKHD #10, LT FLT
9	1	1002724	LEG, SUPERPANEL, AFT, IBRD, BLKHD #10, LT FLT
10	1	1002725	BRACE, SUPERPANEL, AFT, BLKHD #10, LT FLT
11	1	1002727	BRACE, SUPERPANEL, FWD, BLKHD #10, LT FLT
12	1	1002730	FLUTE, FWD, RH, BULKHEAD 10
13	1	1002731	FLUTE, FWD, LH, BULKHEAD 10
14	1	1002734	FLUTE, AFT, RH, BULKHEAD 10
15	1	1002735	FLUTE, AFT, LH, BULKHEAD 10
16	1	1002736	ANGLE, FWD FLUTE, RH, BULKHEAD 10
17	1	1002737	ANGLE, FWD FLUTE, LH, BULKHEAD 10
18	1	1002738	FITTING, MAIN STRUT, BULKHEAD #10
19	2	1002740	ANGLE, ATTACH, BTM SKIN, BLKHD #10
20	1	1002741	PANEL, MAIN, BULKHEAD 10
21	1	1002748	SPACER, SUPER PANEL
22	2	1002965	SPACER, SUPER PANEL
23	1	1002976	SPACER, FINGER PATCH
24	1	1002978	STIFFENER, HORIZONTAL, BULKHEAD #10
25	1	1003105	CLEAT, SUPERPANEL, LH, BULKHEAD #10
26	1	1003108	CLEAT, SUPERPANEL, RH, BULKHEAD #10
27	1	1003544	CLEAT, GUN RAIL, BULKHEAD 10, OUTBOARD, LEFT FLOAT
28	1	1003606	ANGLE, ATTACH, WHEEL WELL, RH, BH #10
29	1	1003607	ANGLE, ATTACH, WHEEL WELL, LH, BH #10
30	1	1004191	SPACER, SUPERPANEL, OUTBOARD
31	1	1004227	GUSSET, LH, BH10, WHEEL WELL
32	1	1004229	GUSSET, SIDE, LH, WHEEL WELL
33	1	1004231	GUSSET, LARGE, LH, BH11
34	1	1004822	REINFORCEMENT, STEP BULKHEAD, LH
35	1	1004823	REINFORCEMENT, STEP BULKHEAD, RH
36	1	1004828	SUPPORT, BULKHEAD & KEEL
37	1	1005879	REINFORCEMENT, HYDRAULIC BRAKE LINE
38	8	AN4-11A	BOLT
39	7	AN6-17A	BOLT
40	8	MS21044N4	NUT

PARTS MANUAL
WIPLINE 7000 FLOATS

ITEM	QTY	PART NO.	PART DESCRIPTION
41	7	MS21044N6	NUT
42	3	MS21083N08	NUT
43	3	MS35206-252-01	MACHINE SCREW 832 - 1.75
44	8	NAS1149D0416J	WASHER
45	8	NAS1149D0463J	WASHER
46	7	NAS1149D0616J	WASHER
47	7	NAS1149D0663J	WASHER
48	3	NAS1149DN832J	WASHER

BULKHEAD ASSEMBLY 10 RIGHT FLOAT

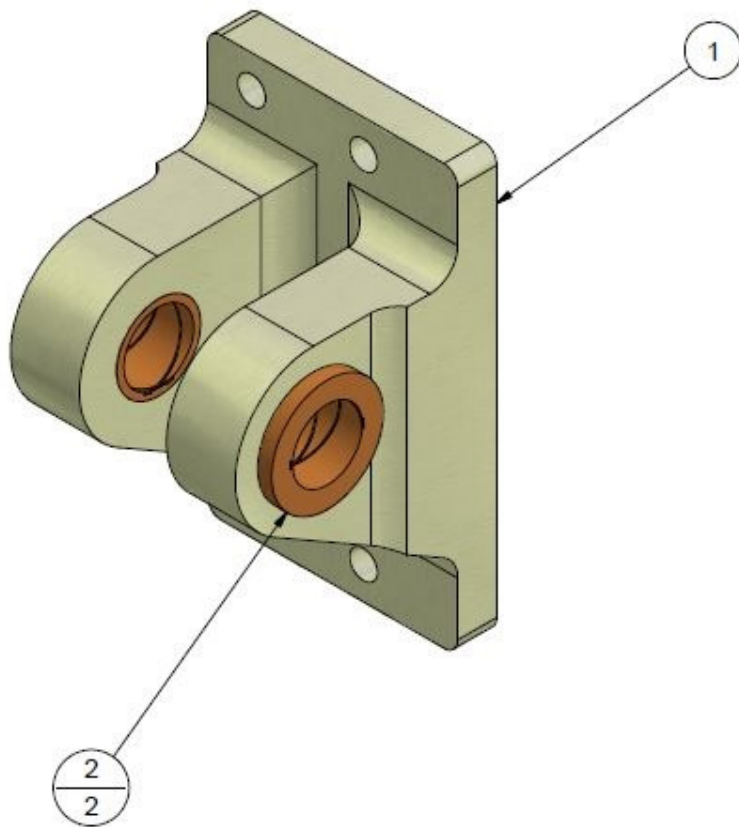


PARTS MANUAL
WIPLINE 7000 FLOATS

ITEM	QTY	PART NO.	PART DESCRIPTION
-	1	BOLT	ASSY, BULKHEAD 10, RIGHT FLOAT
1	1	1002706	ASSY, TRUNION, LH
2	1	1002708	ASSY, TRUNION, RH
3	1	1002709	ANGLE, TRUNION, LH, BLKHD #10
4	1	1002710	ANGLE, TRUNION, RH, BLKHD #10
5	2	1002712	ANGLE, TRUNION, HORIZONTAL, BLKHD #10
6	1	1002715	LEG, SUPERPANEL, FWD, OBRD, BLKHD #10, RT FLT
7	1	1002717	LEG, SUPERPANEL, FWD, IBRD, BLKHD #10, RT FLT
8	1	1002720	LEG, SUPERPANEL, AFT, OBRD, BLKHD #10, RT FLT
9	1	1002723	LEG, SUPERPANEL, AFT, IBRD, BLKHD #10, RT FLT
10	1	1002726	BRACE, SUPERPANEL, AFT, BLKHD #10, RT FLT
11	1	1002728	BRACE, SUPERPANEL, FWD, BLKHD #10, RT FLT
12	1	1002730	FLUTE, FWD, RH, BULKHEAD 10
13	1	1002731	FLUTE, FWD, LH, BULKHEAD 10
14	1	1002734	FLUTE, AFT, RH, BULKHEAD 10
15	1	1002735	FLUTE, AFT, LH, BULKHEAD 10
16	1	1002736	ANGLE, FWD FLUTE, RH, BULKHEAD 10
17	1	1002737	ANGLE, FWD FLUTE, LH, BULKHEAD 10
18	1	1002738	FITTING, MAIN STRUT, BULKHEAD #10
19	2	1002740	ANGLE, ATTACH, BTM SKIN, BLKHD #10
20	1	1002741	PANEL, MAIN, BULKHEAD 10
21	1	1002748	SPACER, SUPER PANEL
22	2	1002965	SPACER, SUPER PANEL
23	1	1002976	SPACER, FINGER PATCH
24	1	1002978	STIFFENER, HORIZONTAL, BULKHEAD #10
25	1	1003105	CLEAT, SUPERPANEL, LH, BULKHEAD #10
26	1	1003108	CLEAT, SUPERPANEL, RH, BULKHEAD #10
27	1	1003545	CLEAT, GUN RAIL, BULKHEAD 10, OUTBOARD, RIGHT FLOAT
28	1	1003606	ANGLE, ATTACH, WHEEL WELL, RH, BH #10
29	1	1003607	ANGLE, ATTACH, WHEEL WELL, LH, BH #10
30	1	1004191	SPACER, SUPERPANEL, OUTBOARD
31	1	1004228	GUSSET, RH, BH10, WHEEL WELL
32	1	1004230	GUSSET, SIDE, RH, WHEEL WELL
33	1	1004232	GUSSET, LARGE, RH, BH11
34	1	1004822	REINFORCEMENT, STEP BULKHEAD, LH
35	1	1004823	REINFORCEMENT, STEP BULKHEAD, RH
36	1	1004828	SUPPORT, BULKHEAD & KEEL
37	1	1005879	REINFORCEMENT, HYDRAULIC BRAKE LINE
38	8	AN4-11A	BOLT
39	7	AN6-17A	BOLT
40	8	MS21044N4	NUT

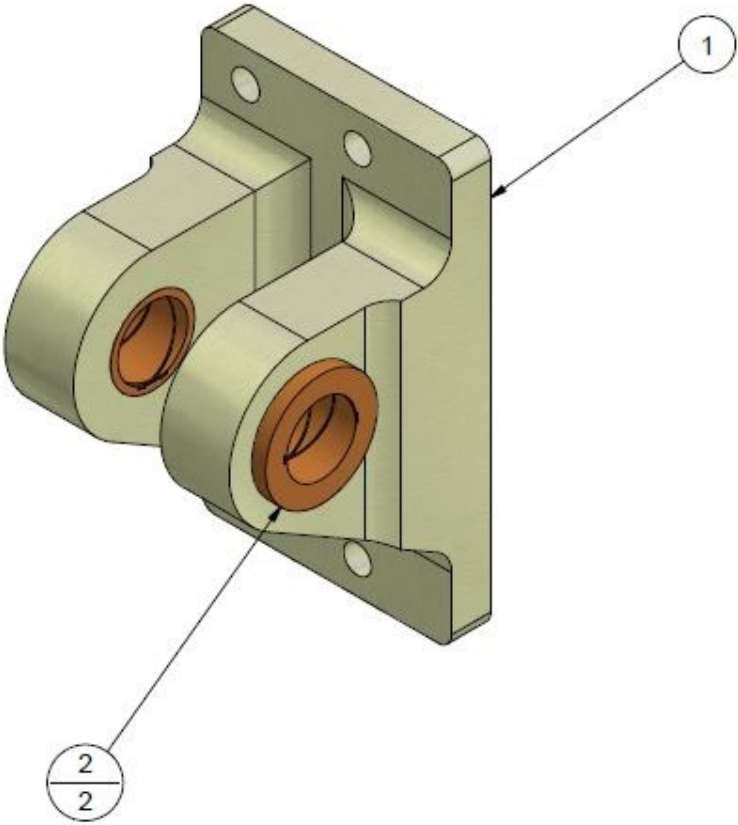
ITEM	QTY	PART NO.	PART DESCRIPTION
41	7	MS21044N6	NUT
42	3	MS21083N08	NUT
43	3	MS35206-252-01	MACHINE SCREW 832 - 1.75
44	8	NAS1149D0416J	WASHER
45	8	NAS1149D0463J	WASHER
46	7	NAS1149D0616J	WASHER
47	7	NAS1149D0663J	WASHER
48	3	NAS1149DN832J	WASHER

TRUNION ASSEMBLY LEFT



ITEM	QTY	PART NO.	PART DESCRIPTION
1	1	1002705	TRUNION, LEFT
2	2	1003729	OIL GROOVE BUSHING

TRUNION ASSEMBLY RIGHT



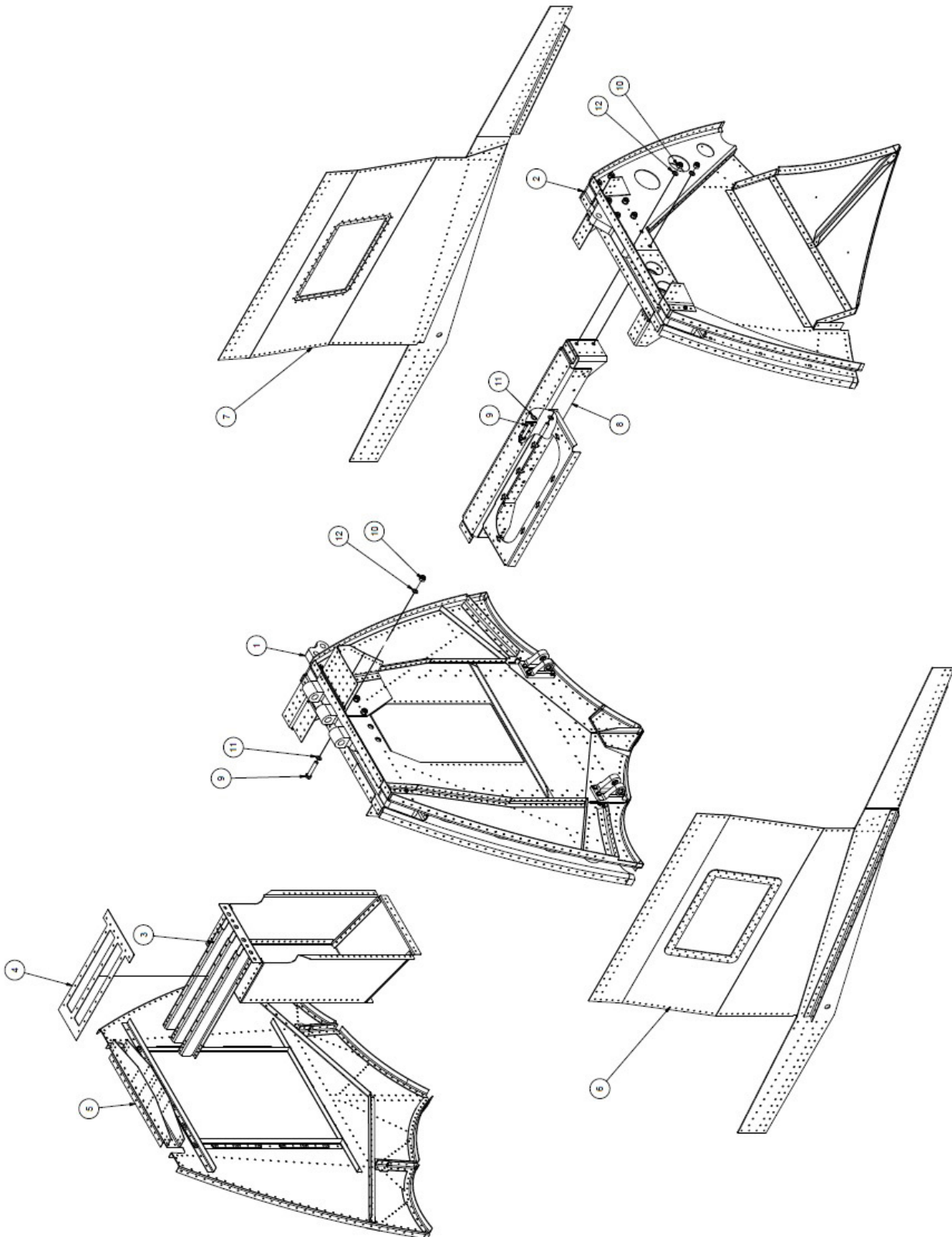
ITEM	QTY	PART NO.	PART DESCRIPTION
1	1	1002707	TRUNION, RIGHT
2	2	1003729	OIL GROOVE BUSHING

SECTION 4 WHEEL WELL

CONTENTS

WHEEL WELL ASSEMBLY LEFT FLOAT	54
WHEEL WELL ASSEMBLY RIGHT FLOAT	56
GEAR TUNNEL ASSEMBLY	58
GEAR TUNNEL ASSEMBLY TOP	60
WHEEL WELL ASSEMBLY PANEL CARRY THRU WITH STRAP LEFT	61
WHEEL WELL ASSEMBLY PANEL CARRY THRU WITH STRAP RIGHT	62
CHANNEL ASSEMBLY LEFT MAIN GEAR	63
CHANNEL ASSEMBLY RIGHT MAIN GEAR	64
GEAR ACCESS COVER RETAINER ASSEMBLY LEFT FLOAT	65
GEAR ACCESS COVER RETAINER ASSEMBLY RIGHT FLOAT	66
BULKHEAD ASSEMBLY 11 LEFT FLOAT	67
BULKHEAD ASSEMBLY 11 RIGHT FLOAT	69
WATER DEFLECTION PANEL ASSEMBLY	71

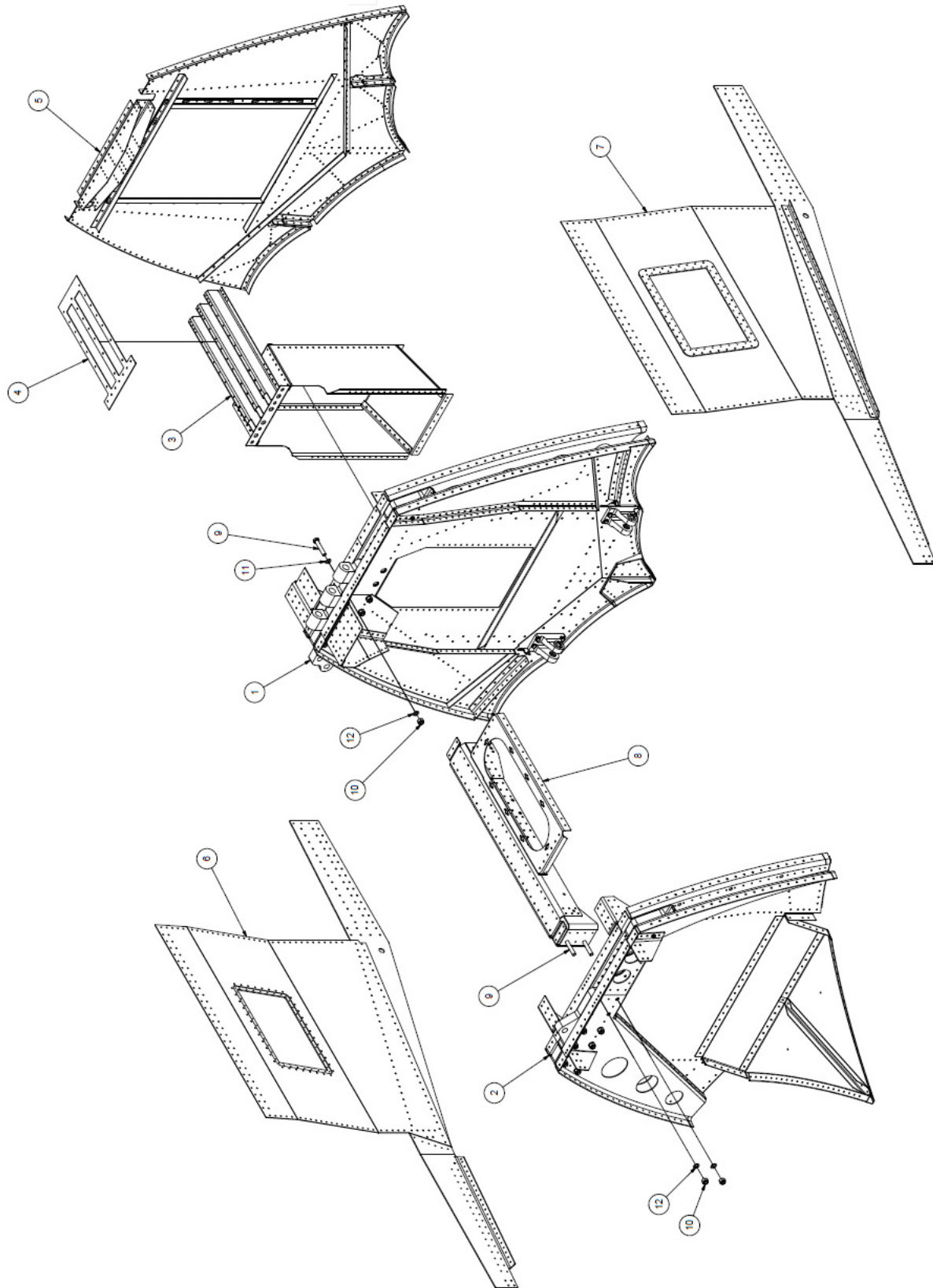
WHEEL WELL ASSEMBLY LEFT FLOAT



PARTS MANUAL
WIPLINE 7000 FLOATS

ITEM	QTY	PART NO.	PART DESCRIPTION
-	1	1003044	ASSY, WHEEL WELL, LEFT FLOAT, 7000
1	1	1002745	ASSY, BULKHEAD 10, LEFT FLOAT
2	1	1002765	ASSY, BULKHEAD 11, LEFT FLOAT, 7000
3	1	1002972	ASSEMBLY, GEAR TUNNEL
4	1	1002975	FINGER JOINT, BLKHD #10
5	1	1003043	ASSY, BULKHEAD 9
6	1	1003878	ASSY, WHEEL WELL PNL CARRY THRU STRAP, LT
7	1	1003879	ASSY, WHEEL WELL PNL CARRY THRU STRAP, RT
8	1	1004075	ASSY, CHANNEL, LH, MAIN GEAR
9	3	AN6-20A	BOLT
10	3	MS21044N6	NUT
11	3	NAS1149F0632P	WASHER
12	3	NAS1149F0663P	WASHER

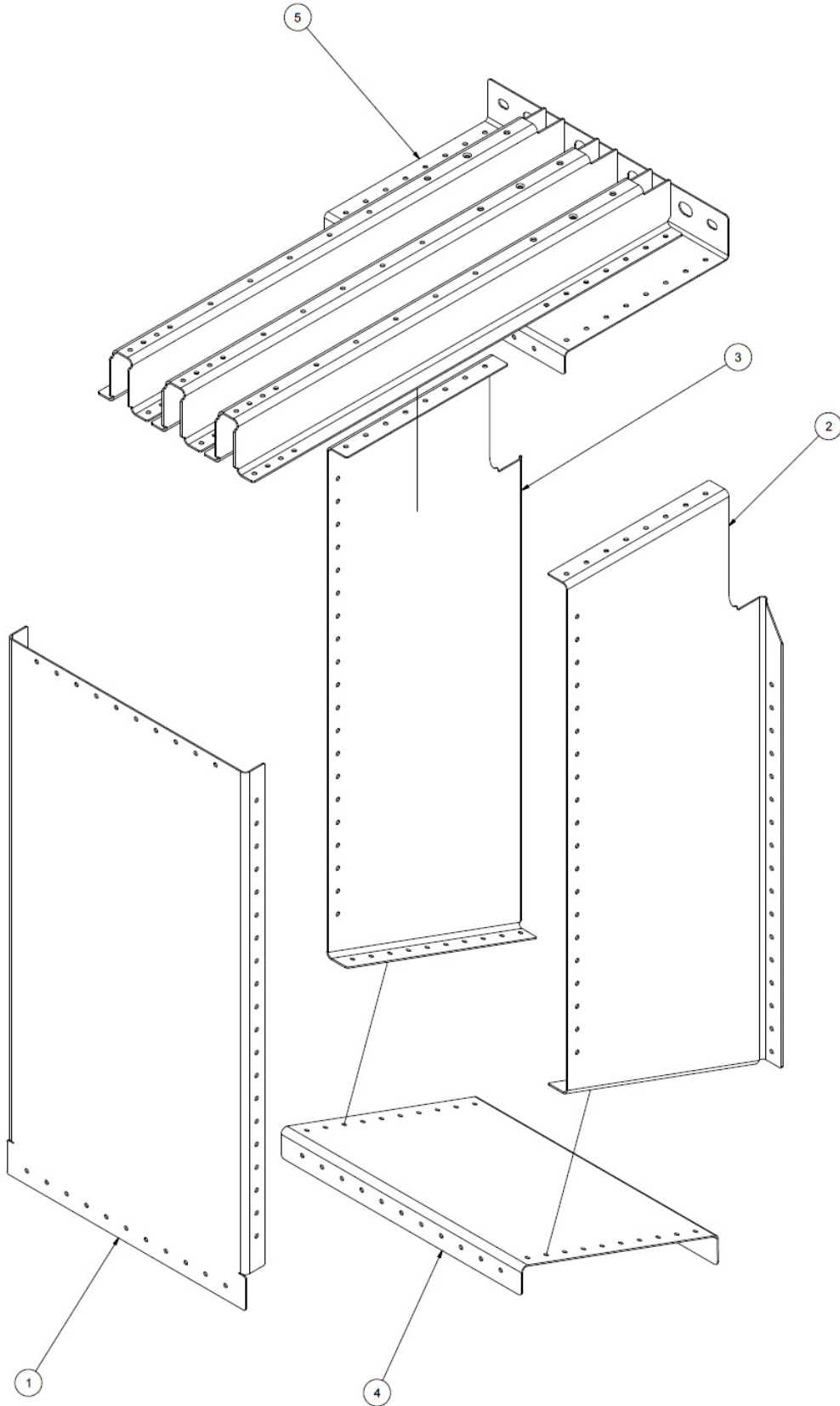
WHEEL WELL ASSEMBLY RIGHT FLOAT



PARTS MANUAL
WIPLINE 7000 FLOATS

ITEM	QTY	PART NO.	PART DESCRIPTION
-	1	1003144	ASSY, WHEEL WELL, RIGHT FLOAT, 7000
1	1	1002746	ASSY, BULKHEAD 10, RIGHT FLOAT, 7000
2	1	1002766	ASSY, BULKHEAD 11, RIGHT FLOAT, 7000
3	1	1002972	ASSEMBLY, GEAR TUNNEL
4	1	1002975	FINGER JOINT, BLKHD #10
5	1	1003043	ASSY, BULKHEAD 9
6	1	1003878	ASSY, WHEEL WELL PNL CARRY THRU STRAP, LT
7	1	1003879	ASSY, WHEEL WELL PNL CARRY THRU STRAP, RT
8	1	1004076	ASS'Y, CHANNEL, RH, MAIN GEAR
9	3	AN6-20A	BOLT
10	3	MS21044N6	NUT
11	3	NAS1149F0632P	WASHER
12	3	NAS1149F0663P	WASHER

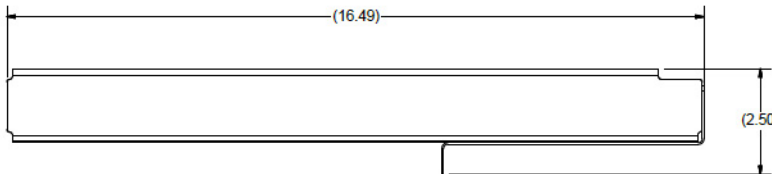
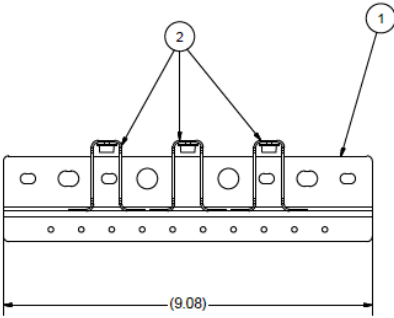
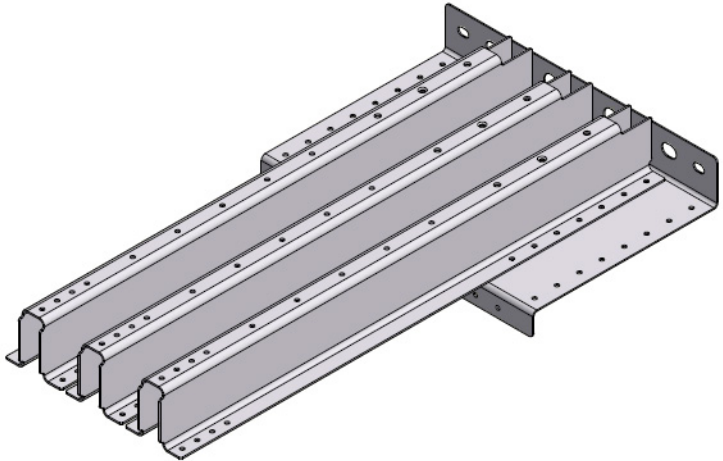
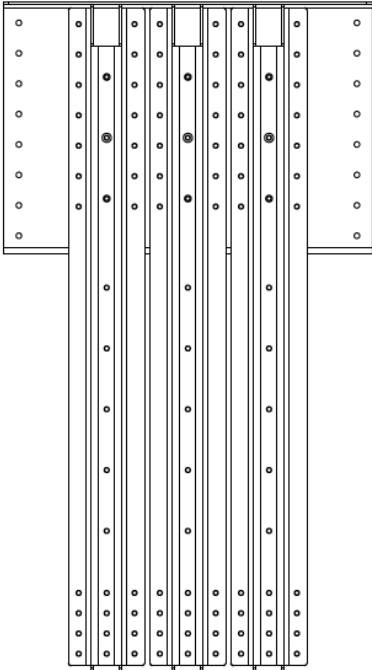
GEAR TUNNEL ASSEMBLY



PARTS MANUAL
WIPLINE 7000 FLOATS

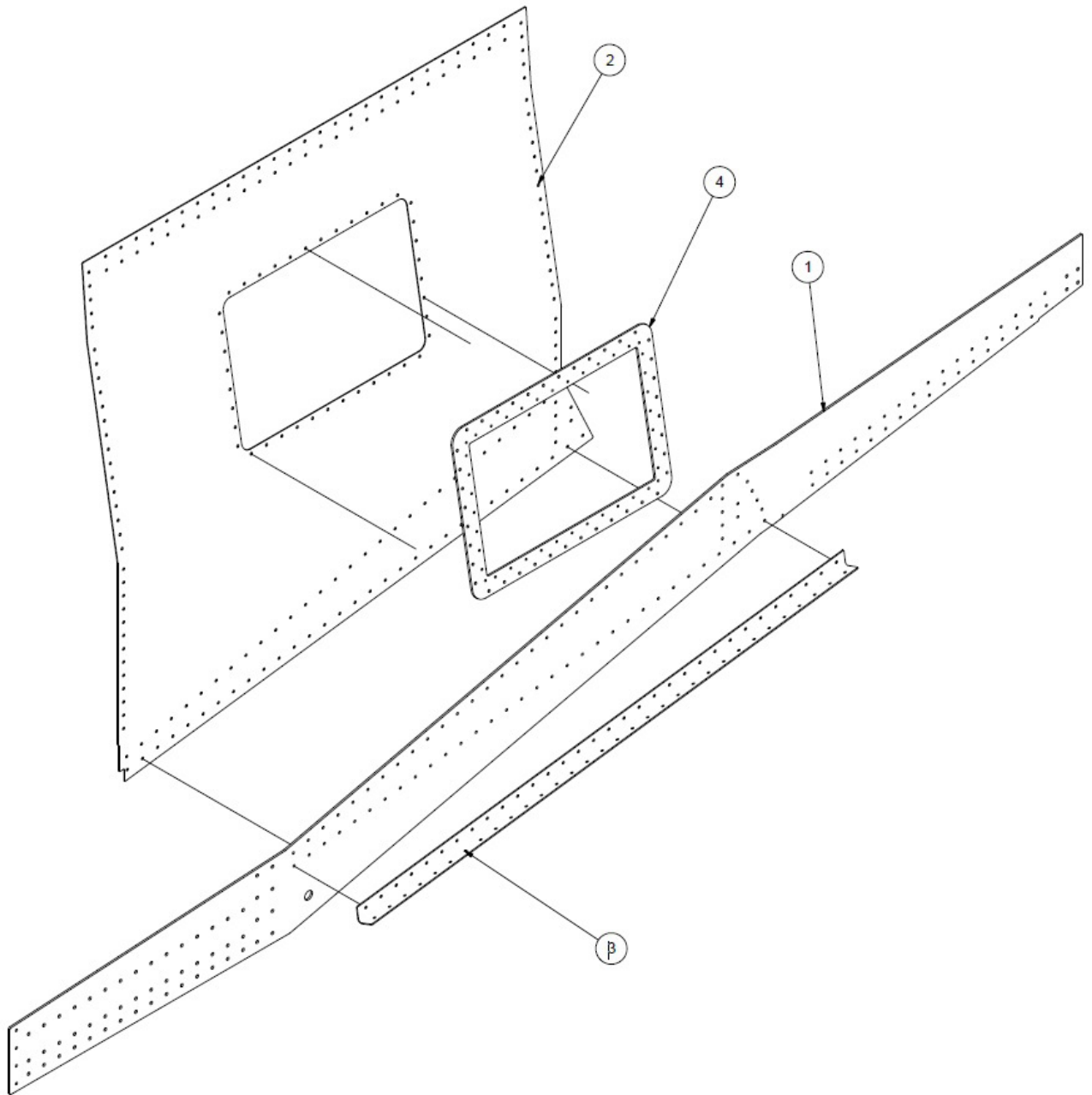
ITEM	QTY	PART NO.	PART DESCRIPTION
-	1	1002972	ASSEMBLY, GEAR TUNNEL
1	1	1002966	WALL, FWD, GEAR TUNNEL
2	1	1002967	SIDE, LT, GEAR TUNNEL
3	1	1002968	SIDE, RT, GEAR TUNNEL
4	1	1002970	BOTTOM, GEAR TUNNEL
5	1	1003810	ASSY, GEAR TUNNEL TOP

GEAR TUNNEL ASSEMBLY TOP



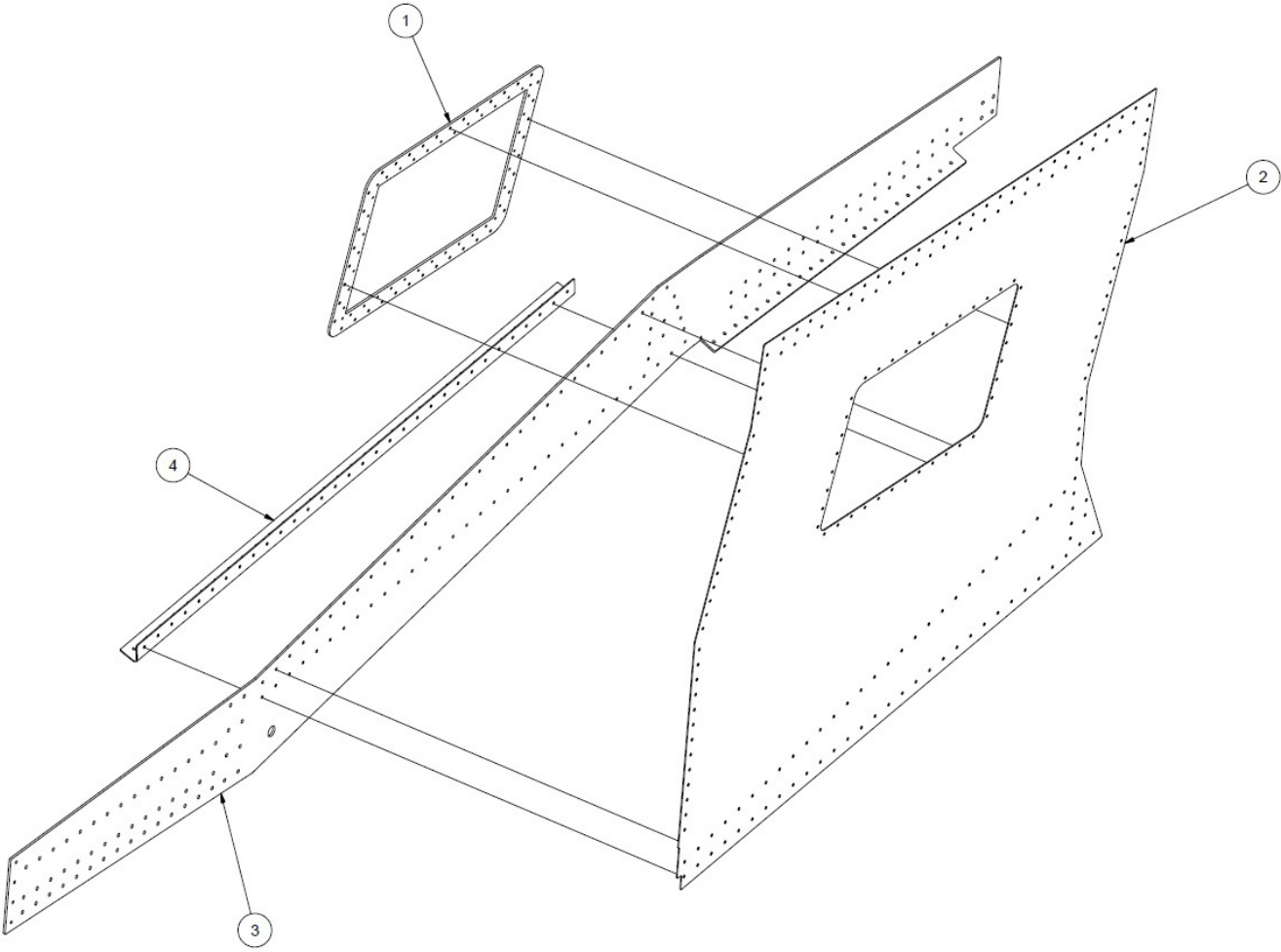
ITEM	QTY	PART NO.	PART DESCRIPTION
-	1	1003810	ASSY, GEAR TUNNEL TOP
1	1	1002971	TOP, GEAR TUNNEL
2	3	1003809	ASSY, REINFORCEMENT CHANNEL

WHEEL WELL ASSEMBLY PANEL CARRY THRU WITH STRAP LEFT



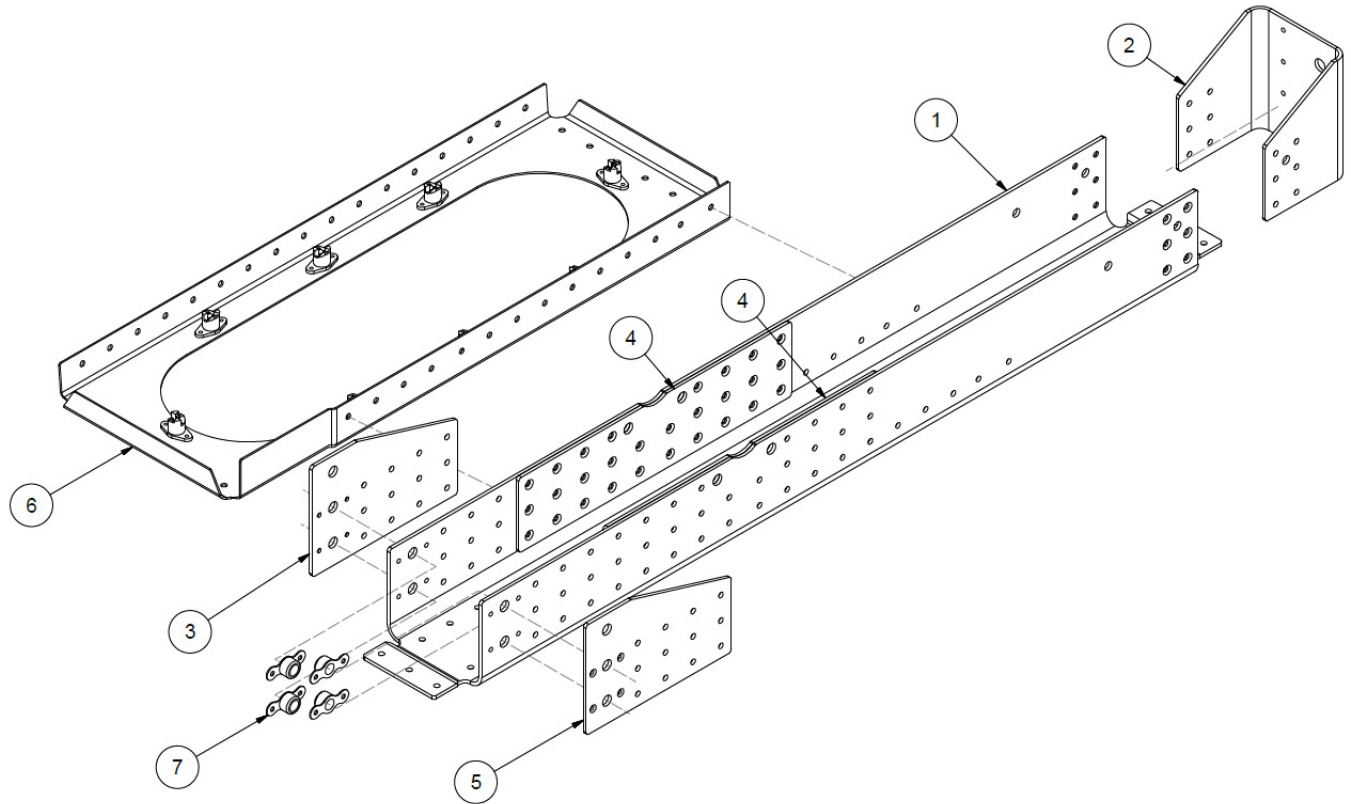
ITEM	QTY	PART NO.	PART DESCRIPTION
-	1	1003878	ASSY, WHEEL WELL PNL CARRY THRU STRAP, LT
1	1	1002983	STRAP, CARRY THRU, LEFT
2	1	1002982	PANEL, SIDE, LT, WHEEL WELL
3	1	1002985	FLANGE, CARRY THRU STRAP
4	1	1003222	RETAINER, COVER, WHEEL WELL PANEL, 7000

WHEEL WELL ASSEMBLY PANEL CARRY THRU WITH STRAP RIGHT



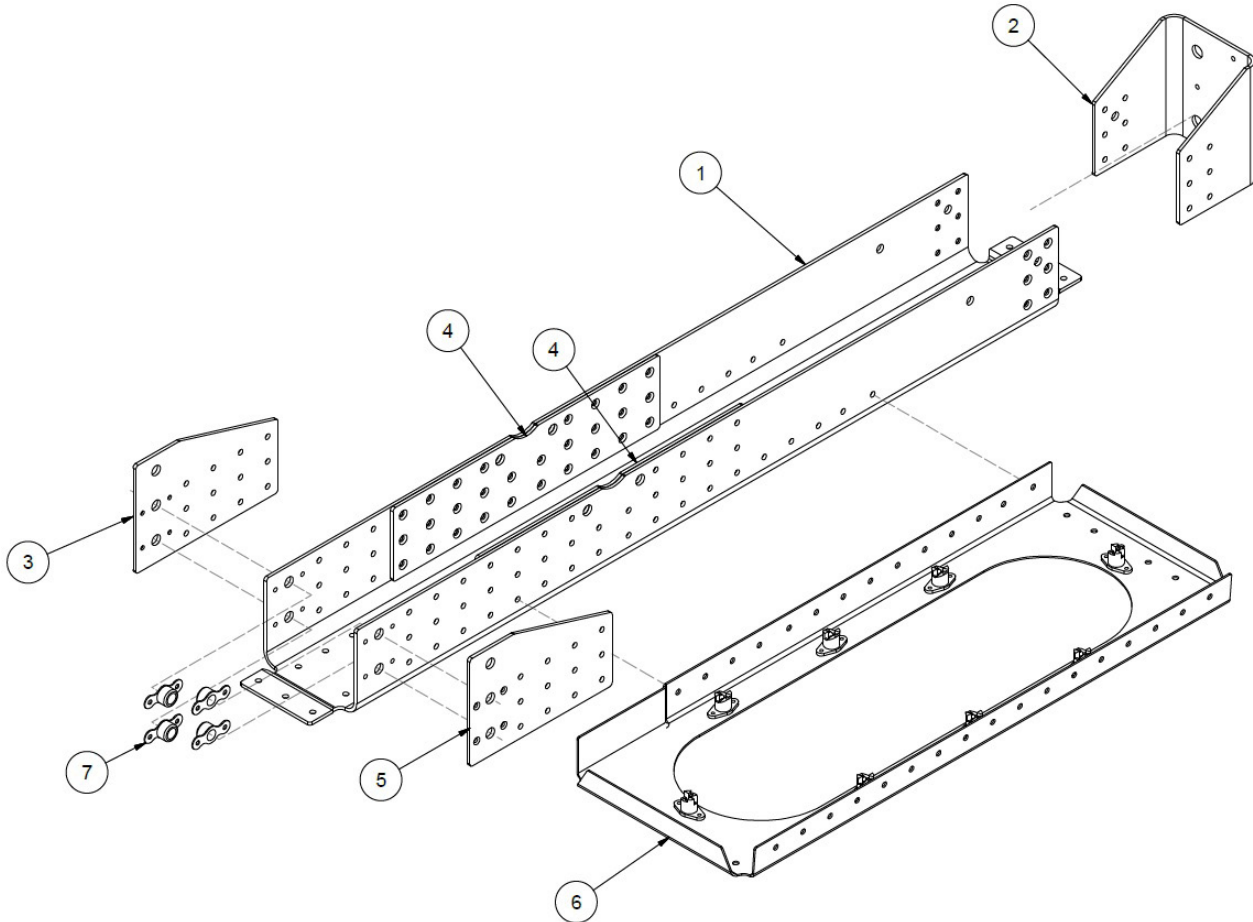
ITEM	QTY	PART NO.	PART DESCRIPTION
-	1	1003879	ASSY, WHEEL WELL PNL CARRY THRU STRAP, RT
1	1	1003222	RETAINER, COVER, WHEEL WELL PANEL, 7000
2	1	1002981	PANEL, SIDE, RT, WHEEL WELL
3	1	1002984	STRAP, CARRY THRU, RIGHT
4	1	1002985	FLANGE, CARRY THRU STRAP

CHANNEL ASSEMBLY LEFT MAIN GEAR



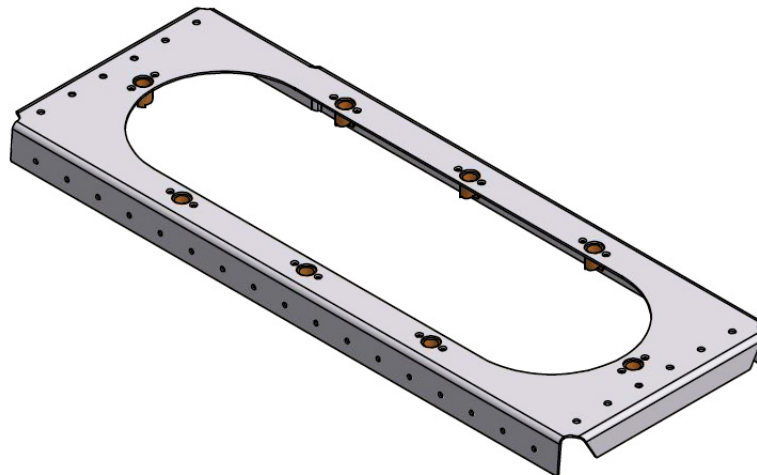
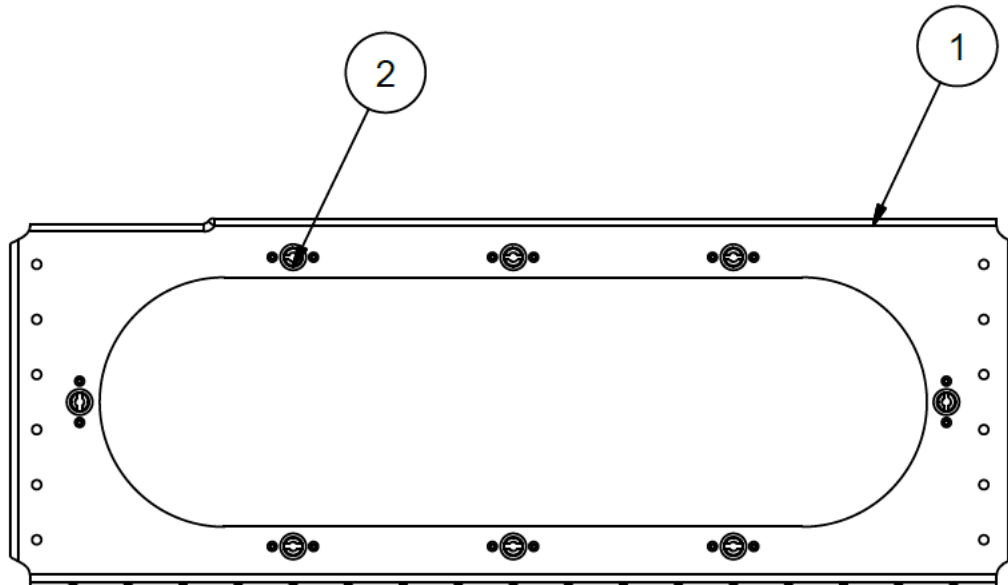
ITEM	QTY	PART NO.	PART DESCRIPTION
-	1	1004075	ASSY, CHANNEL, LH, MAIN GEAR
1	1	1003815	CHANNEL, MAIN GEAR, WHEEL WELL
2	1	1004002	MOUNT, LH, CHANNEL, GEAR
3	1	1004004	DOUBLER, LH, OUTER, CHANNEL, GEAR
4	2	1004005	DOUBLER, INNER, CHANNEL, GEAR
5	1	1004011	DOUBLER, RH, OUTER, CHANNEL, GEAR
6	1	1004078	ASSY, RETAINER, GEAR ACCESS COVER
7	4	MS21047L5	NUT PLATE, SELF LOCKING

CHANNEL ASSEMBLY RIGHT MAIN GEAR



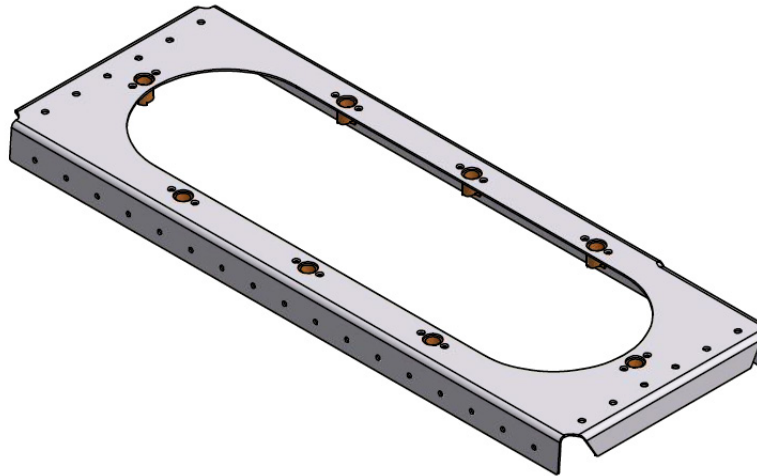
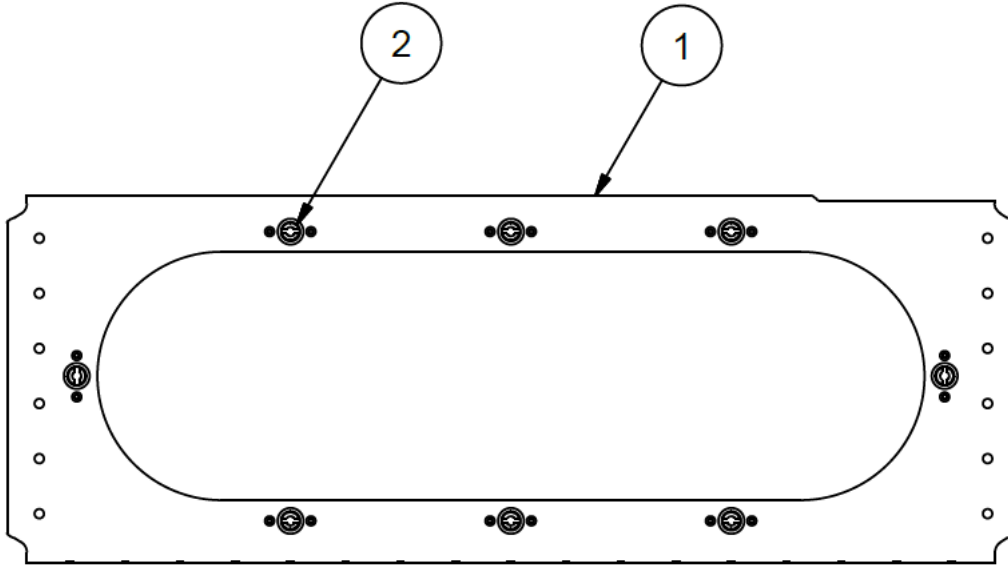
ITEM	QTY	PART NO.	PART DESCRIPTION
-	1	1004076	ASS'Y, CHANNEL, RH, MAIN GEAR
1	1	1003815	CHANNEL, MAIN GEAR, WHEEL WELL
2	1	1004003	MOUNT, RH, CHANNEL, GEAR
3	1	1004004	DOUBLER, LH, OUTER, CHANNEL, GEAR
4	2	1004005	DOUBLER, INNER, CHANNEL, GEAR
5	1	1004011	DOUBLER, RH, OUTER, CHANNEL, GEAR
6	1	1004077	ASS'Y, RETAINER, GEAR ACCESS COVER
7	4	MS21047L5	NUT PLATE, SELF LOCKING

GEAR ACCESS COVER RETAINER ASSEMBLY LEFT FLOAT



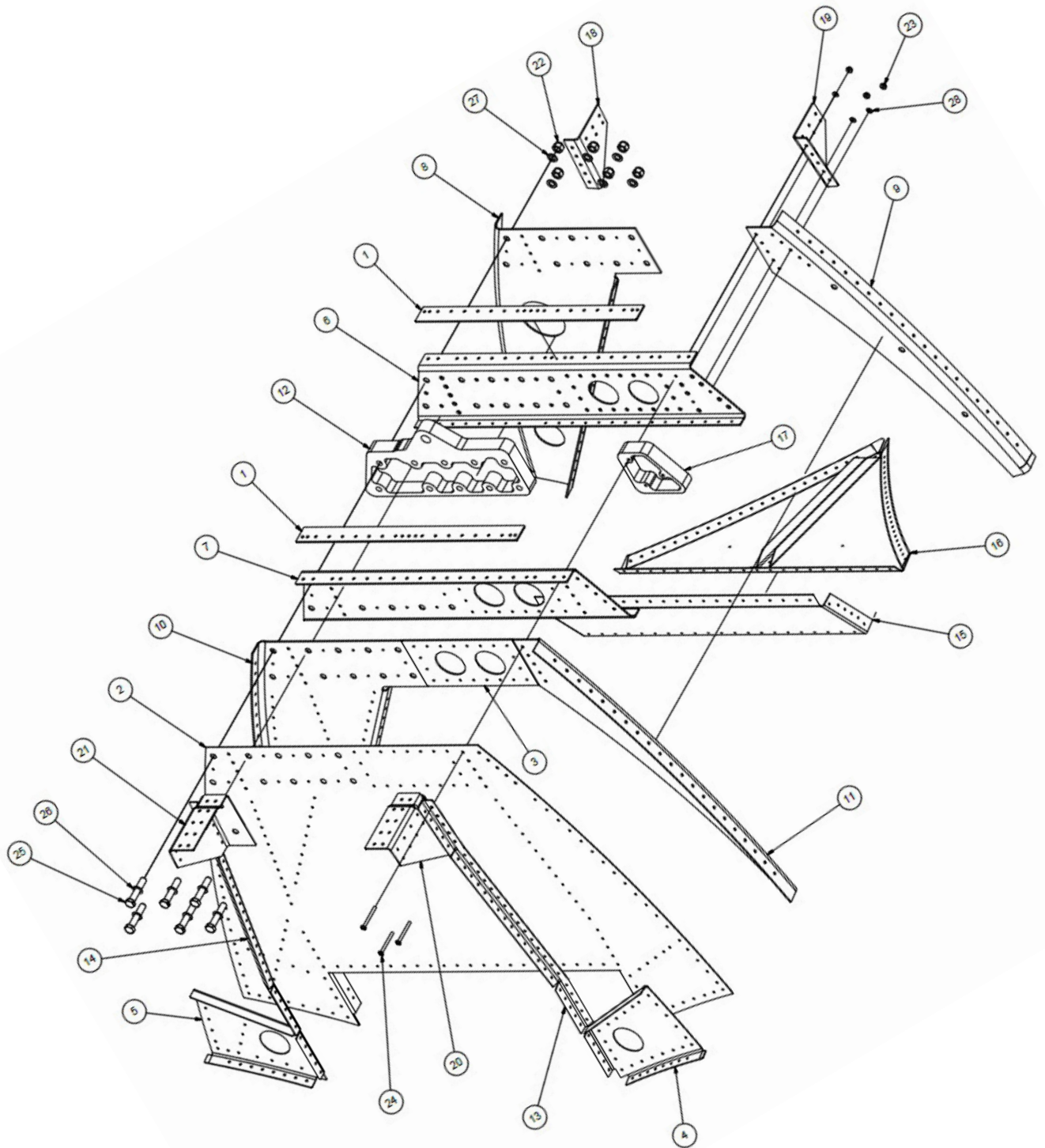
ITEM	QTY	PART NO.	PART DESCRIPTION
-	1	1004078	ASS'Y, RETAINER, GEAR ACCESS COVER
1	1	1004022	RETAINER, GEAR ACCESS COVER
2	8	212-12	CAMLOC RECEPTACLE, STANDARD

GEAR ACCESS COVER RETAINER ASSEMBLY RIGHT FLOAT



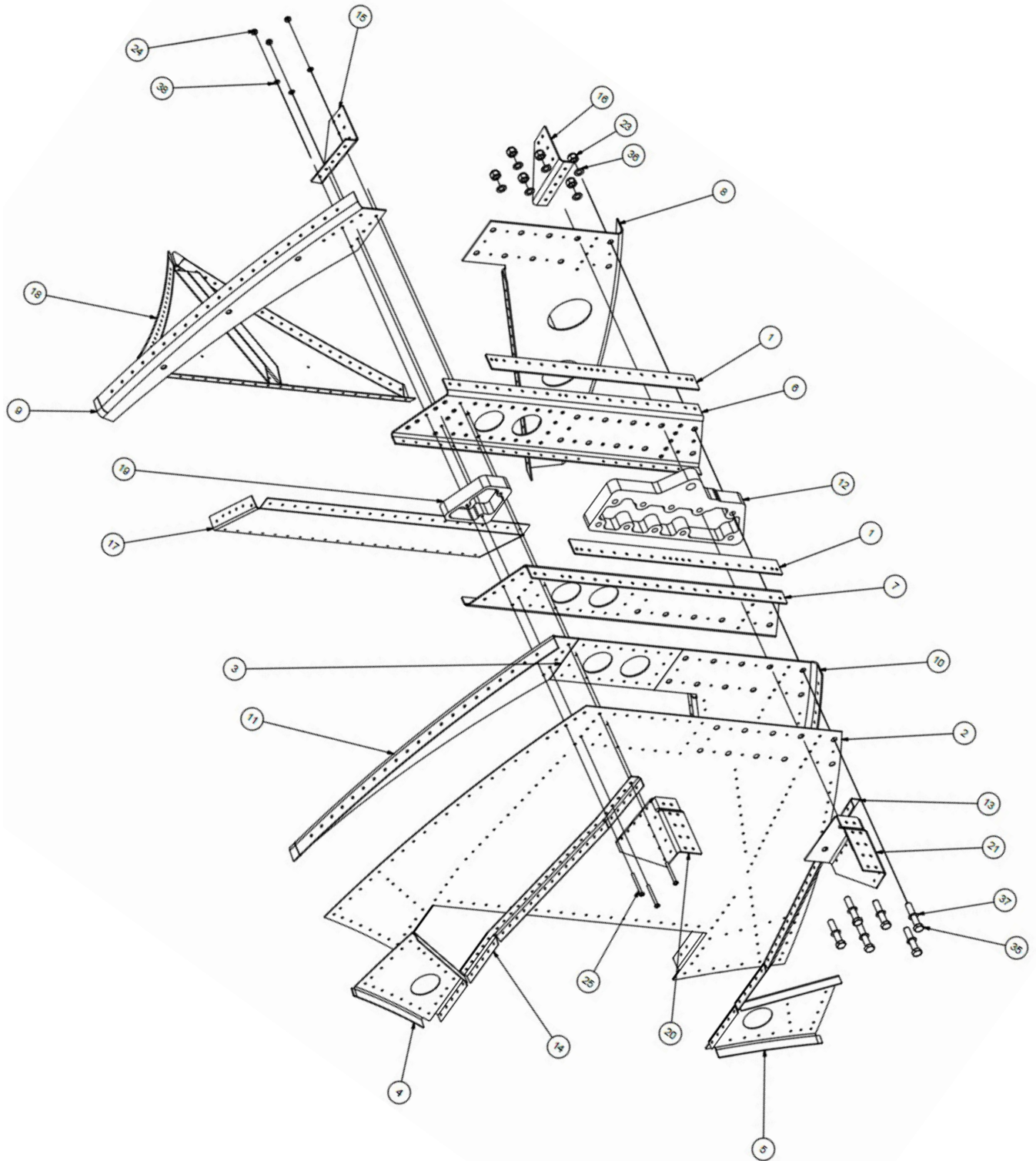
ITEM	QTY	PART NO.	PART DESCRIPTION
-	1	1004077	ASS'Y, RETAINER, GEAR ACCESS COVER
1	1	1004023	RETAINER, GEAR ACCESS COVER
2	8	212-12	CAMLOC RECEPTACLE, STANDARD

BULKHEAD ASSEMBLY 11 LEFT FLOAT



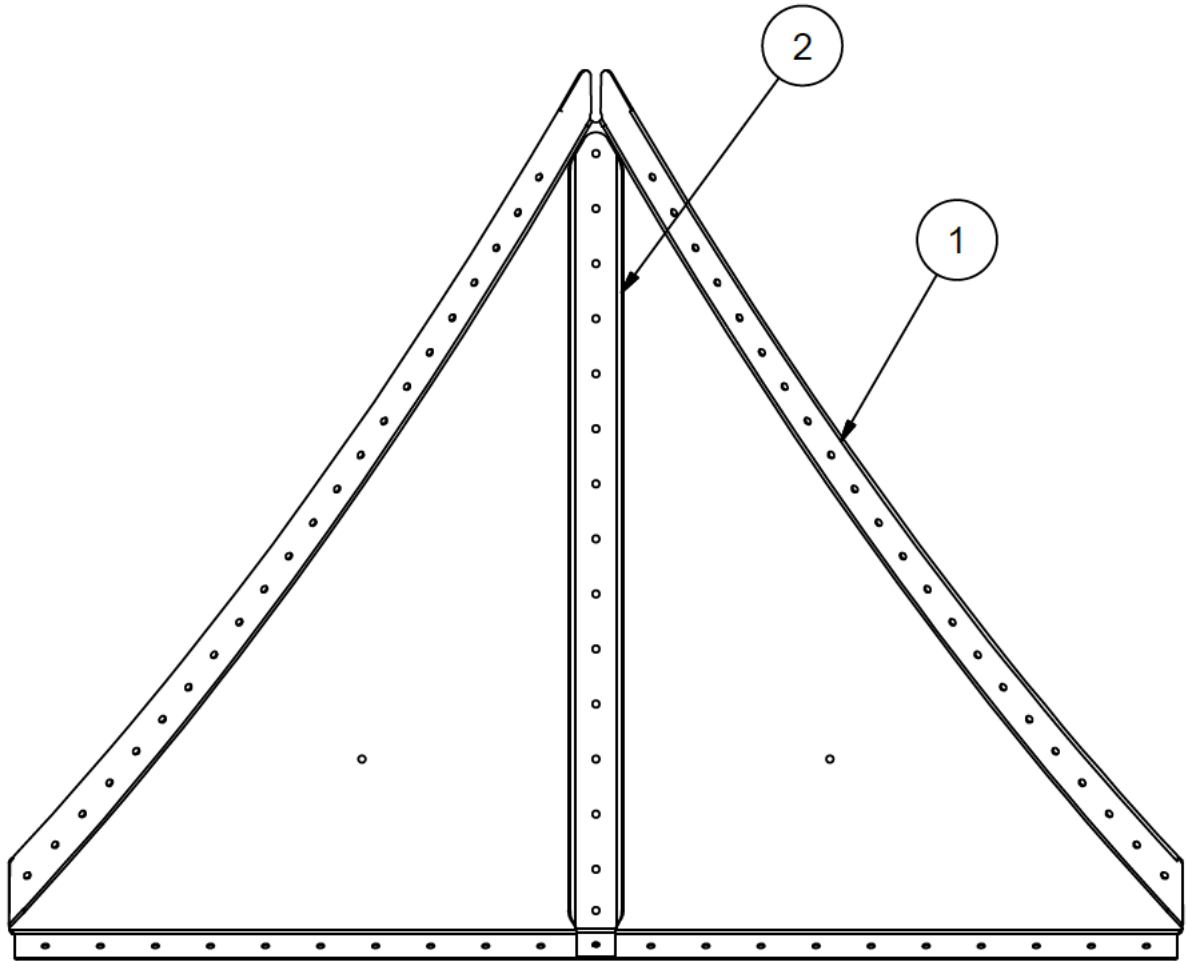
ITEM	QTY	PART NO.	PART DESCRIPTION
-	1	1002765	ASSY, BULKHEAD 11, LEFT FLOAT
1	2	1002748	SPACER, SUPER PANEL
2	1	1002762	PANEL, UPPER, BLK HD #11, LT FLT
3	1	1002767	DOUBLER- BLKHD #11
4	1	1002770	FLUTE, FWD, LT, LT FLT, BLKHD #11
5	1	1002773	FLUTE, FWD, RT, LT FLT, BLKHD #11
6	1	1002776	BRACE, SUPERPANEL, AFT, BLKHD #11, LT FLT
7	1	1002779	BRACE, SUPERPANEL, FWD, BLKHD #11, LT FLT
8	1	1002781	LEG, SUPERPANEL, AFT, IBRD, BLKHD #11, LT FLT
9	1	1002785	LEG, SUPERPANEL, AFT, OBRD, BLKHD #11, LT FLT
10	1	1002788	LEG, SUPERPANEL, FWD, IBRD, BLKHD #11, LT FLT
11	1	1002790	LEG, SUPERPANEL, FWD, OBRD, BLKHD #11, LT FLT
12	1	1002793	FITTING, SUPERPANEL, BLKHD #11
13	1	1003542	MOUNT, PNL, LT, AFT, WHEEL WELL
14	1	1003543	MOUNT, PNL, RT, AFT, WHEEL WELL
15	1	1004007	PANEL, LOWER, BULKHEAD 11
16	1	1004010	ASSY, WATER DEFLECTION PANEL
17	1	1004191	SPACER, SUPERPANEL, OUTBOARD
18	1	1004196	CLEAT, GUN RAIL, LH
19	1	1004197	CLEAT, GUN RAIL, RH
20	1	1004223	GUSSET, CORNER, OUTBOARD, BH11, LH FLT
21	1	1004225	GUSSET, CORNER, INBOARD, BH11, LH FLT
22	6	MS21044N6	NUT
23	3	MS21083N08	NUT
24	3	MS35206-252	MACHINE SCREW 832 - 1.75
25	6	AN6-17A	BOLT
26	6	NAS1149D0616J	WASHER
27	6	NAS1149D0663J	WASHER
28	3	NAS1149DN832J	WASHER

BULKHEAD ASSEMBLY 11 RIGHT FLOAT



ITEM	QTY	PART NO.	PART DESCRIPTION
-	1	1002766	ASSY, BULKHEAD 11, RIGHT FLOAT
1	2	1002748	SPACER, SUPER PANEL
2	1	1002763	PANEL, BLKHD #11, RT FLT
3	1	1002767	DOUBLER- BLKHD #11
4	1	1002769	FLUTE, FWD, RT, RT FLT, BLKHD #11
5	1	1002772	FLUTE, FWD, LT, RT FLT, BLKHD #11
6	1	1002775	BRACE, SUPERPANEL, AFT, BLKHD #11, RT FLT
7	1	1002778	BRACE, SUPERPANEL, FWD, BLKHD #11, RT FLT
8	1	1002782	LEG, SUPERPANEL, AFT, IBRD, BLKHD #11, RT FLT
9	1	1002784	LEG, SUPERPANEL, AFT, OBRD, BLKHD #11, RT FLT
10	1	1002787	LEG, SUPERPANEL, FWD, IBRD, BLKHD #11, RT FLT
11	1	1002791	LEG, SUPERPANEL, FWD, IBRD, BLKHD #11, RT FLT
12	1	1002793	FITTING, SUPERPANEL, BLKHD #11
13	1	1003542	MOUNT, PNL, LT, AFT, WHEEL WELL
14	1	1003543	MOUNT, PNL, RT, AFT, WHEEL WELL
15	1	1004196	CLEAT, GUN RAIL, LH
16	1	1004197	CLEAT, GUN RAIL, RH
17	1	1004007	PANEL, LOWER, BULKHEAD 11
18	1	1004010	ASSY, WATER DEFLECTION PANEL
19	1	1004191	SPACER, SUPERPANEL, OUTBOARD
20	1	1004224	GUSSET, CORNER, OUTBOARD, BH11, RH FLT
21	1	1004226	GUSSET, CORNER, INBOARD, BH11, RH FLT
23	6	MS21044N6	NUT
24	3	MS21083N08	NUT
25	3	MS35206-252	MACHINE SCREW 832 - 1.75
35	6	AN6-17A	BOLT
36	6	NAS1149D0663J	WASHER
37	6	NAS1149D0616J	WASHER
38	3	NAS1149DN832J	WASHER

WATER DEFLECTION PANEL ASSEMBLY



ITEM	QTY	PART NO.	PART DESCRIPTION
-	1	1004010	ASSY, WATER DEFLECTION PANEL
1	1	1004008	PANEL, WATER DEFLECTION
2	1	1004009	STIFFENER, WATER DEFLECTION PANEL

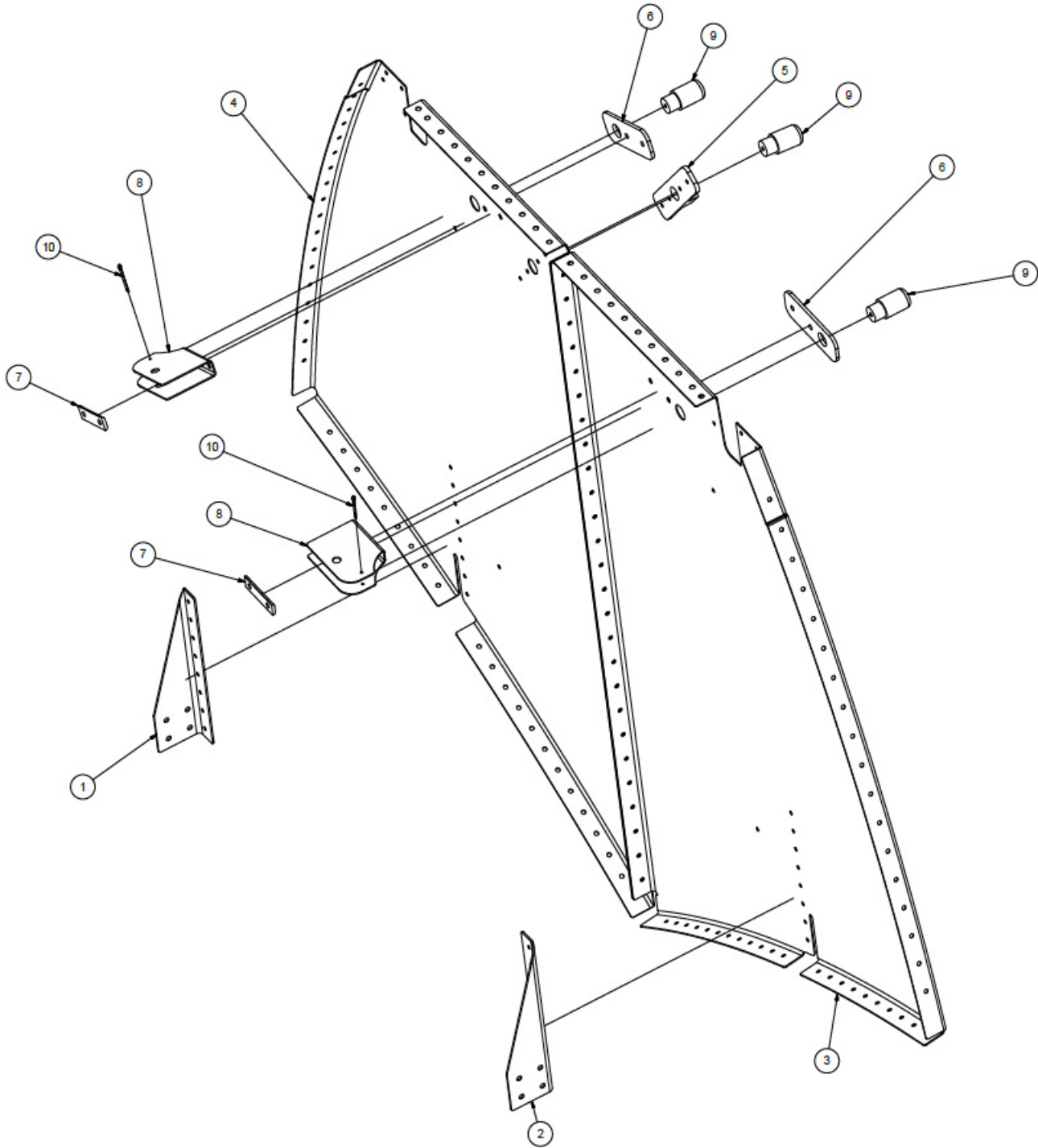
THIS PAGE INTENTIONALLY LEFT BLANK

SECTION 5 AFT BULKHEADS

CONTENTS

BULKHEAD ASSEMBLY 12 LEFT FLOAT	74
BULKHEAD ASSEMBLY 12 RIGHT FLOAT	76
BULKHEAD ASSEMBLY 13	78
BULKHEAD ASSEMBLY 14	79
BULKHEAD ASSEMBLY 15	80
BULKHEAD ASSEMBLY 16 LEFT FLOAT	81
BULKHEAD ASSEMBLY 16 RIGHT FLOAT	83

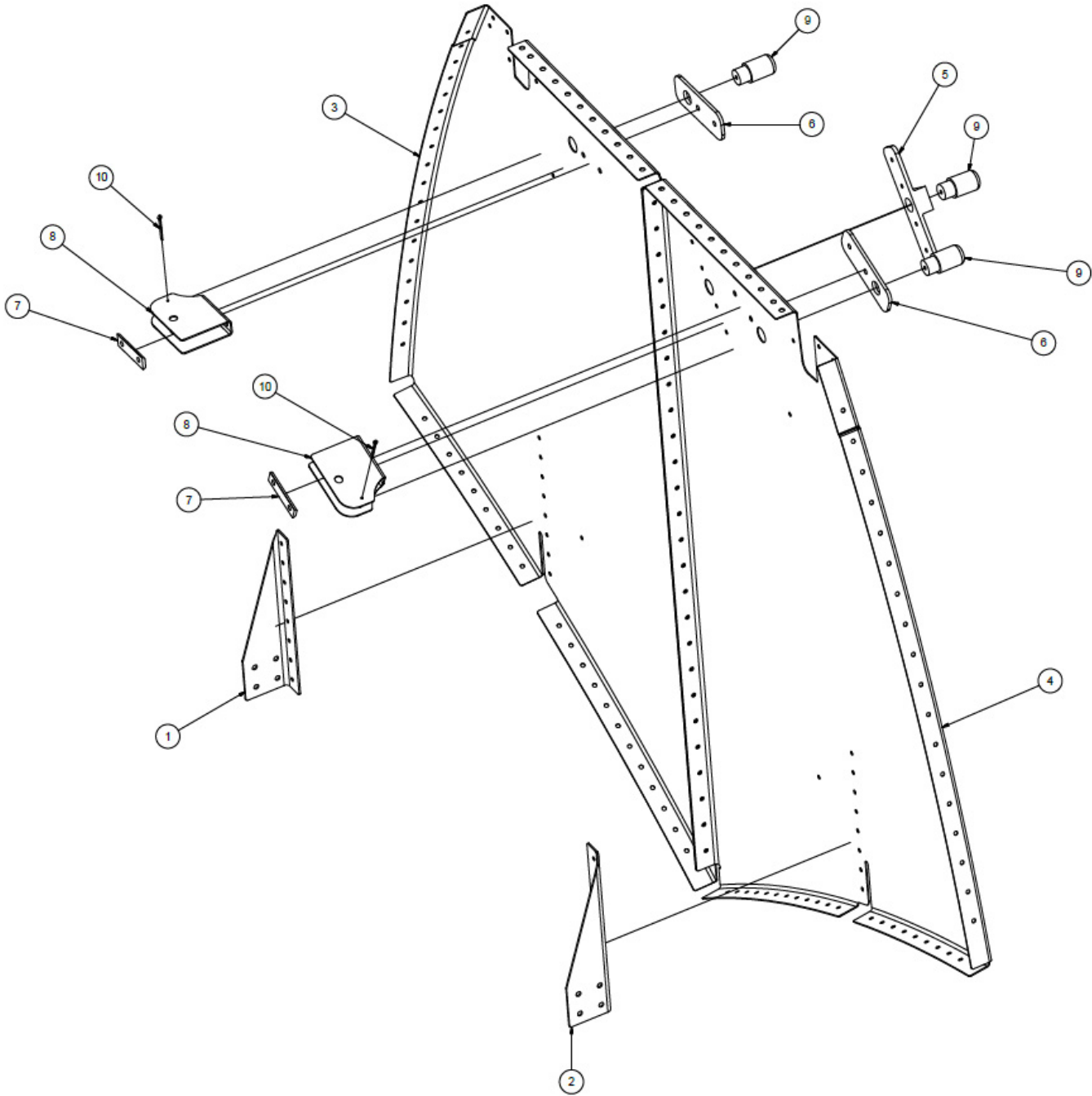
BULKHEAD ASSEMBLY 12 LEFT FLOAT



PARTS MANUAL
WIPLINE 7000 FLOATS

ITEM	QTY	PART NO.	PART DESCRIPTION
-	1	1003451	ASSY, BULKHEAD #12, LEFT FLOAT
1	1	1003217	CLEAT, RT, SISTER KEEL, AFT
2	1	1003218	CLEAT, LT, SISTER KEEL, AFT
3	1	1003461	PANEL, SIDE, IBRD, BLKHD #12, LT FLT
4	1	1003464	PANEL, SIDE, OBRD, BLHD #12, LT FLT
5	1	1003476	MOUNT, CABLE GUIDE, LF
6	2	1008469	DOUBLER, CABLE GUIDE
7	2	10A01156-179	REINFORCEMENT, PULLEY
8	2	3A01151-010	PULLEY BRACKET
9	3	3A08605-001	CABLE GUIDE
10	2	MS24665-134	COTTER PIN

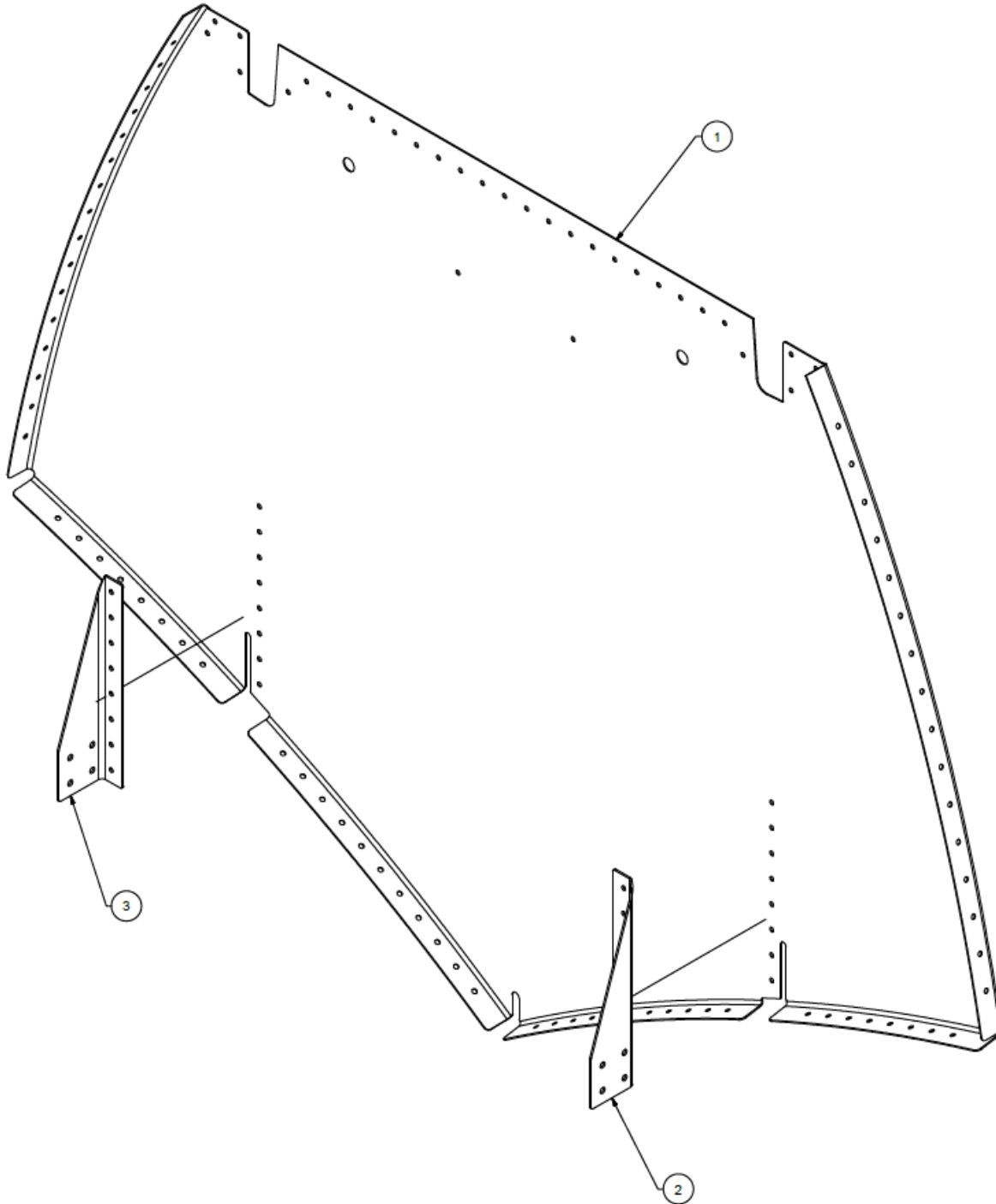
BULKHEAD ASSEMBLY 12 RIGHT FLOAT



PARTS MANUAL
WIPLINE 7000 FLOATS

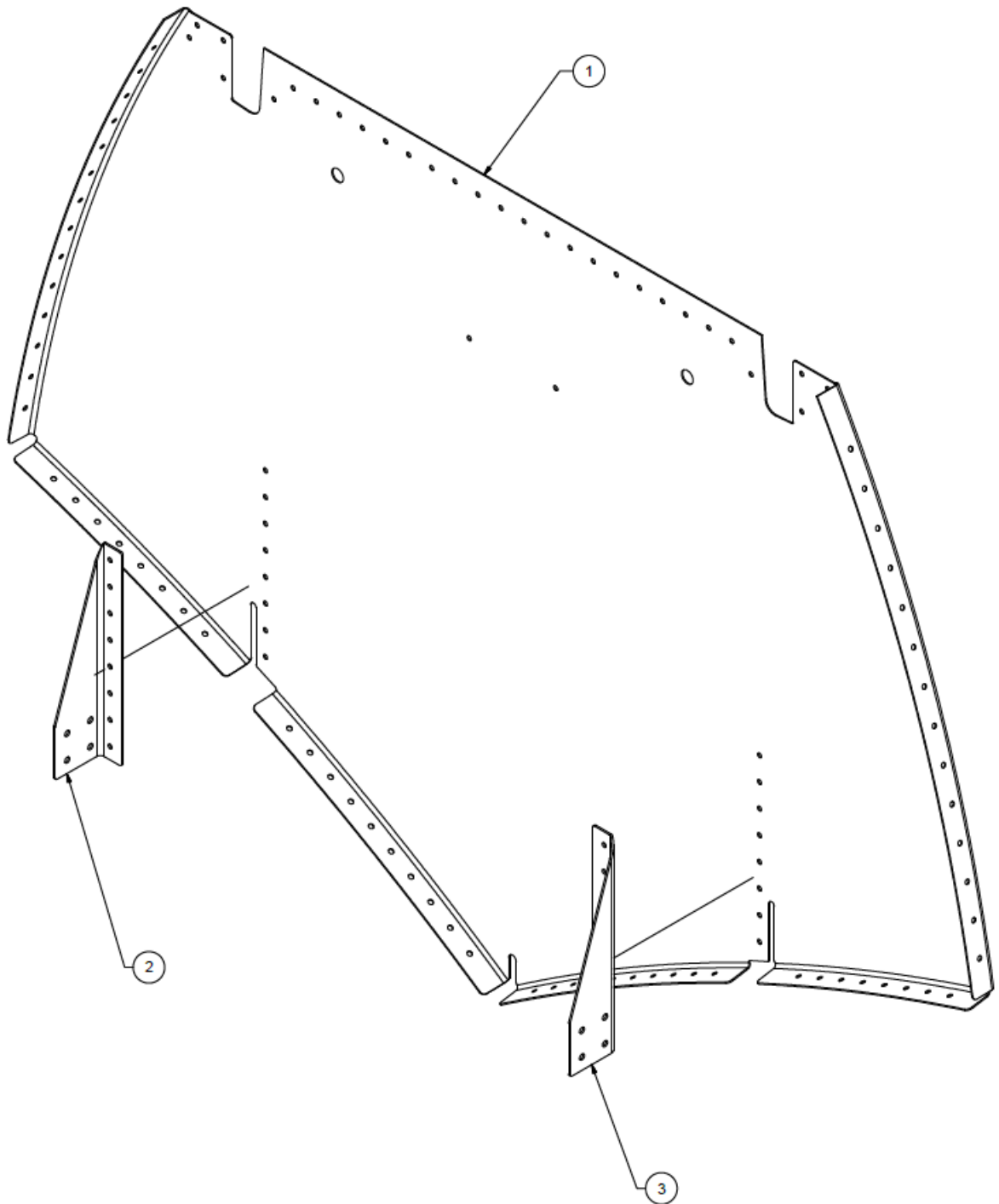
ITEM	QTY	PART NO.	PART DESCRIPTION
-	1	1003452	ASSY, BULKHEAD #12, RIGHT FLOAT
1	1	1003217	CLEAT, RT, SISTER KEEL, AFT
2	1	1003218	CLEAT, LT, SISTER KEEL, AFT
3	1	1003462	PANEL, SIDE, IBRD, BLKHD #12, RT FLT
4	1	1003465	PANEL, SIDE, OBRD, BLKHD #12, RT FLT
5	1	1003477	MOUNT, CABLE GUIDE, RF
6	2	1008469	DOUBLER, CABLE GUIDE
7	2	10A01156-179	REINFORCEMENT, PULLEY
8	2	3A01151-010	PULLEY BRACKET
9	3	3A08605-001	CABLE GUIDE
10	2	MS24665-134	COTTER PIN

BULKHEAD ASSEMBLY 13



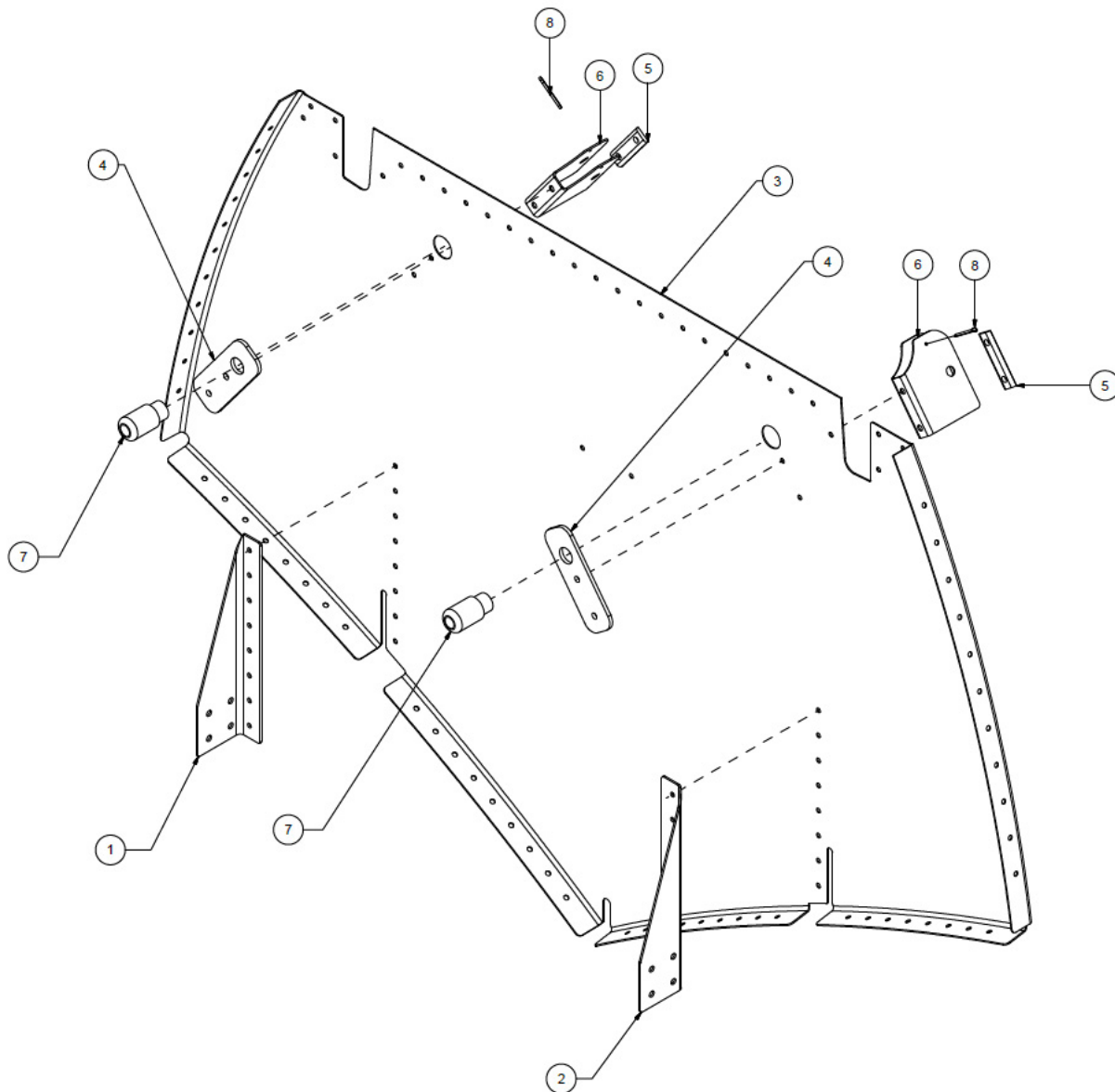
ITEM	QTY	PART NO.	PART DESCRIPTION
-	1	1003453	ASSY, BULKHEAD #13
1	1	1003468	PANEL, BLKHD #13
2	1	1003218	CLEAT, LT, SISTER KEEL, AFT
3	1	1003217	CLEAT, RT, SISTER KEEL, AFT

BULKHEAD ASSEMBLY 14



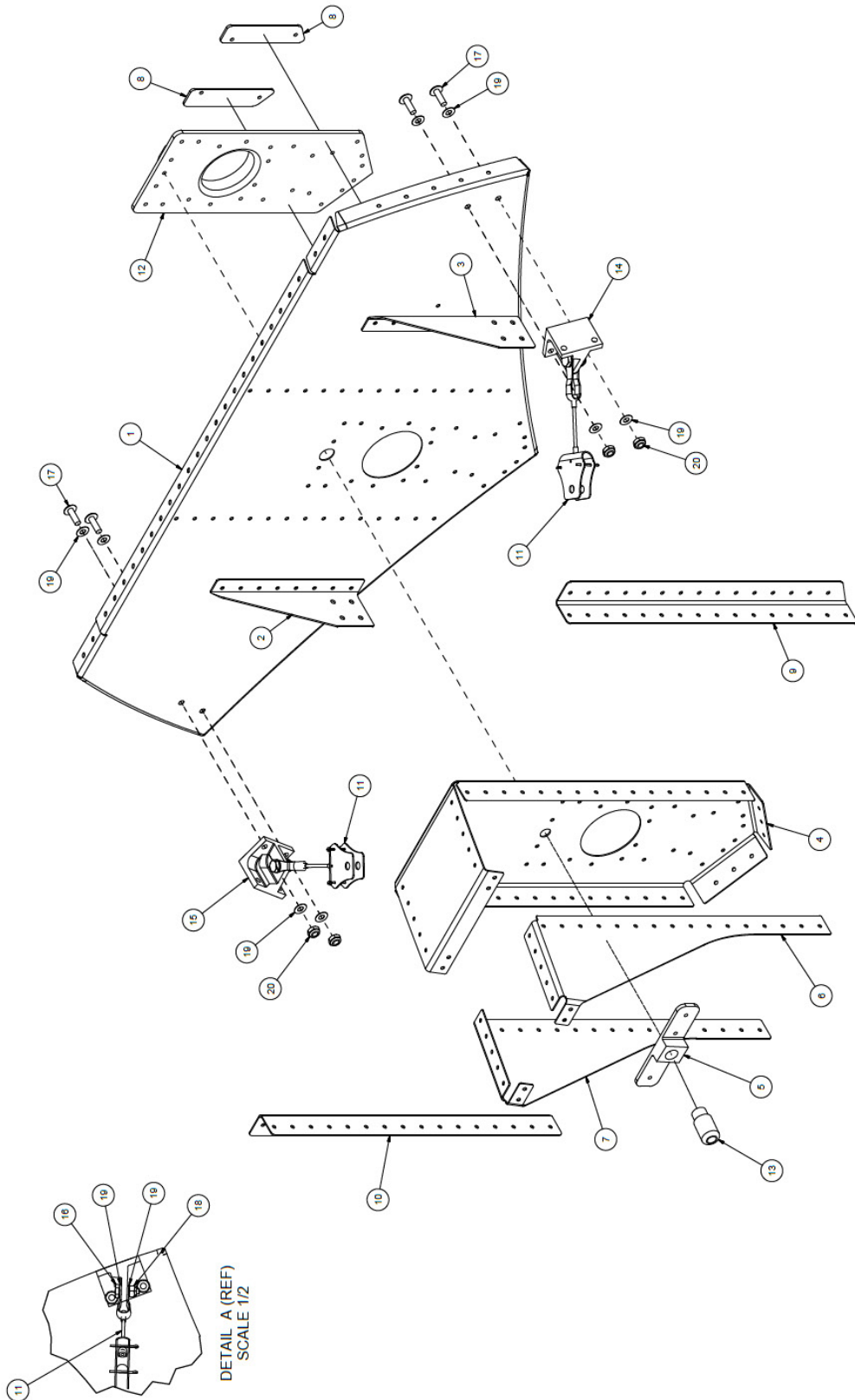
ITEM	QTY	PART NO.	PART DESCRIPTION
-	1	1003455	ASSY, BULKHEAD #14
1	1	1003471	PANEL, BLKHD #14
2	1	1003217	CLEAT, RT, SISTER KEEL, AFT
3	1	1003218	CLEAT, LT, SISTER KEEL, AFT

BULKHEAD ASSEMBLY 15



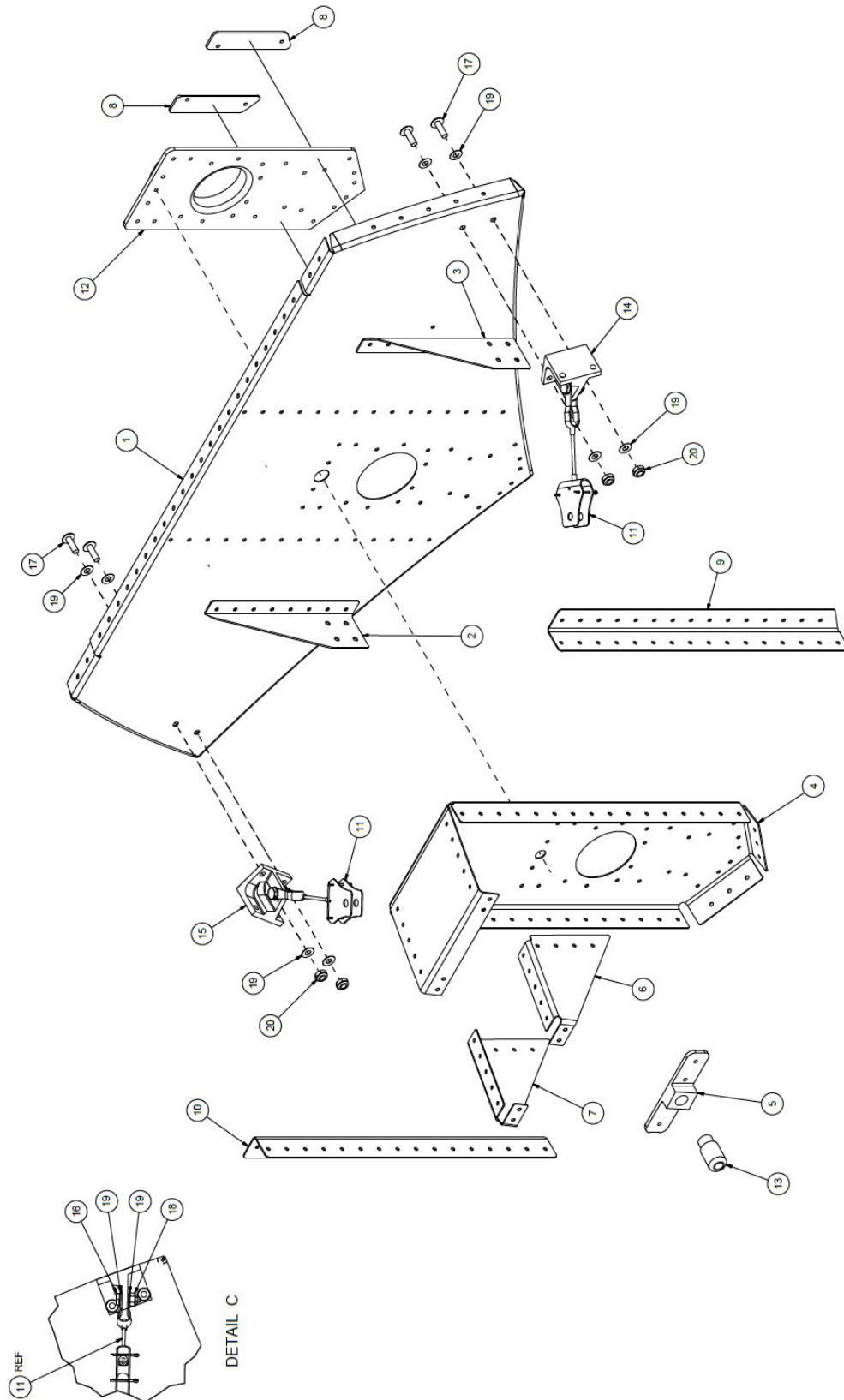
ITEM	QTY	PART NO.	PART DESCRIPTION
-	1	1003457	ASSY, BULKHEAD #15
1	1	1003217	CLEAT, RT, SISTER KEEL, AFT
2	1	1003218	CLEAT, LT, SISTER KEEL, AFT
3	1	1003474	PANEL, BLKHD #15, LT AND RT FLT
4	2	1008469	DOUBLER, CABLE GUIDE
5	2	10A01156-179	REINFORCEMENT, PULLEY
6	2	3A01151-010	PULLEY BRACKET
7	2	3A08605-001	CABLE GUIDE
8	2	MS24665-134	COTTER PIN

BULKHEAD ASSEMBLY 16 LEFT FLOAT



ITEM	QTY	PART NO.	PART DESCRIPTION
-	1	1003459	ASSY, BULKHEAD 16 LEFT FLOAT
1	1	1002918	PANEL, BLKHD #16
2	1	1003217	CLEAT, RT, SISTER KEEL, AFT
3	1	1003218	CLEAT, LT, SISTER KEEL, AFT
4	1	1003229	DOUBLER, WATER RUDDER PIVOT
5	1	1003476	MOUNT, CABLE GUIDE, LF
6	1	1003601	GUSSET, LT, WATER RUDDER BRKT, BLKHD #16
7	1	1003602	GUSSET, RT, WATER RUDDER BRKT, BLKHD #16
8	2	1004679	PLATE, WATER RUDDER STOP
9	1	1005858	ANGLE, SUPPORT, WATER RUDDER DOUBLER
10	1	1005859	ANGLE, SUPPORT, WATER RUDDER DOUBLER
11	2	1006935	ASSY, CABLE, PULLEY
12	1	3A01437-001	ASSEMBLY, MOUNT, PIVOT, WATER RUDDER
13	1	3A08605-001	CABLE GUIDE
14	1	8A08194-001	BRACKET, WATER RUDDER PULLEY
15	1	8A08194-002	BRACKET, WATER RUDDER PULLEY
16	2	AN3-5A	BOLT, 10-32, 0.25 GRIP, UNDRILLED, STEEL
17	4	AN526C1032R10	SCREW, MACHINE, TRUSS HEAD
18	2	MS21045-3	NUT, SELF LOCKING
19	12	NAS1149D0316J	WASHER, 0.203 ID, 0.016 THK, ALUMINUM
20	4	NAS679-A3W	KAYNAR NUT

BULKHEAD ASSEMBLY 16 RIGHT FLOAT



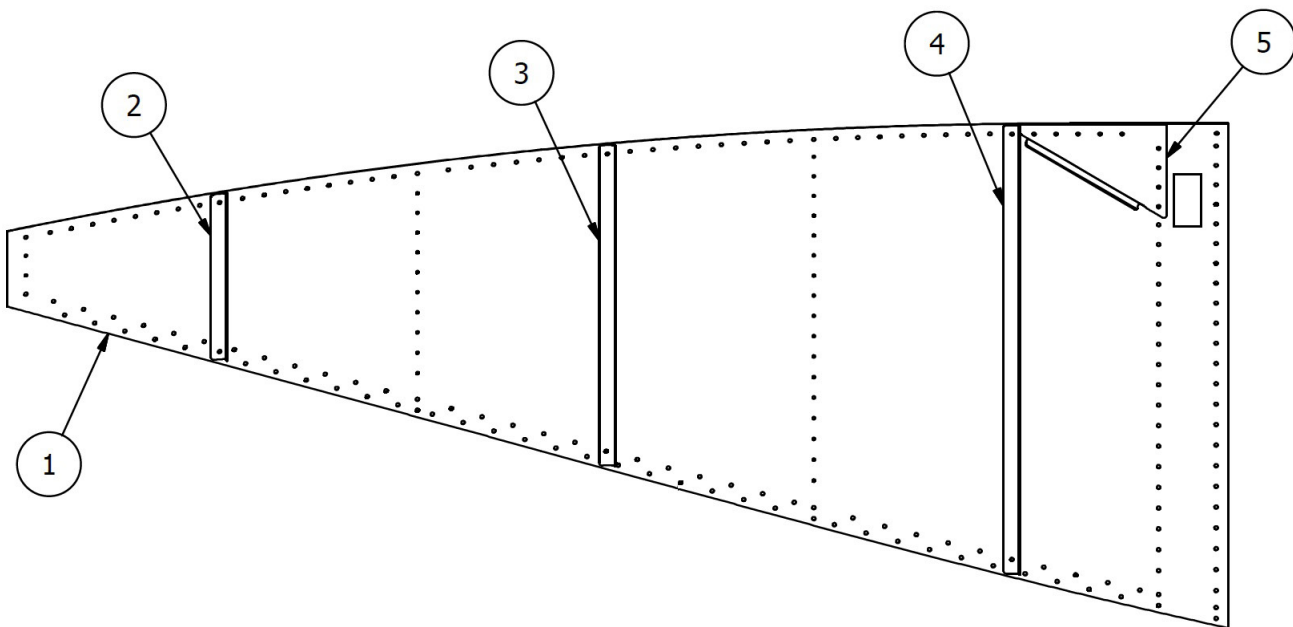
ITEM	QTY	PART NO.	PART DESCRIPTION
-	1	1003460	ASSY, BULKHEAD 16, RIGHT FLOAT
1	1	1002918	PANEL, BLKHD #16
2	1	1003217	CLEAT, RT, SISTER KEEL, AFT
3	1	1003218	CLEAT, LT, SISTER KEEL, AFT
4	1	1003229	DOUBLER, WATER RUDDER PIVOT
5	1	1003477	MOUNT, CABLE GUIDE, RF
6	1	1003601	GUSSET, LT, WATER RUDDER BRKT, BLKHD #16
7	1	1003602	GUSSET, RT, WATER RUDDER BRKT, BLKHD #16
8	2	1004679	PLATE, WATER RUDDER STOP
9	1	1005858	ANGLE, SUPPORT, WATER RUDDER DOUBLER
10	1	1005859	ANGLE, SUPPORT, WATER RUDDER DOUBLER
11	2	1006935	ASSY, CABLE, PULLEY
12	1	3A01437-001	ASSEMBLY, MOUNT, PIVOT, WATER RUDDER
13	1	3A08605-001	CABLE GUIDE
14	1	8A08194-001	BRACKET, WATER RUDDER PULLEY
15	1	8A08194-002	BRACKET, WATER RUDDER PULLEY
16	2	AN3-5A	BOLT, 5/16-24,.X .656 LG
17	4	AN526C1032R10	SCREW, MACHINE, TRUSS HEAD
18	2	MS21045-3	NUT, SELF LOCKING
19	12	NAS1149D0316J	WASHER
20	4	NAS679-A3W	KAYNAR NUT

SECTION 6 SKINS

CONTENTS

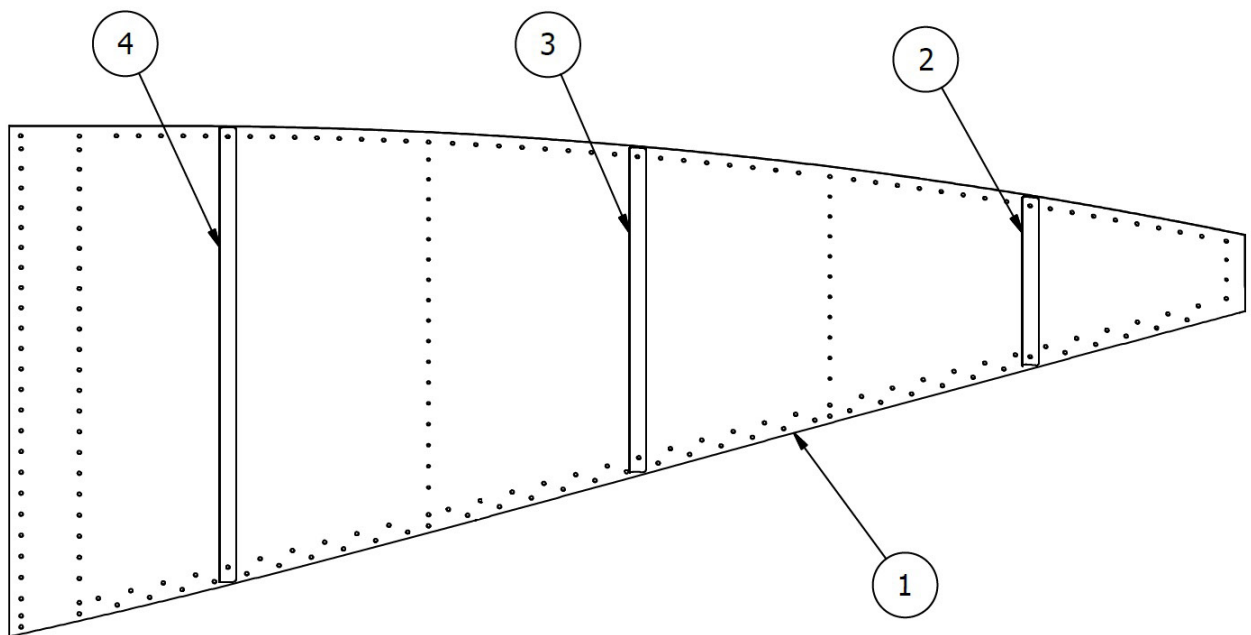
SIDE SKIN ASSEMBLY FORWARD INBOARD LEFT FLOAT	86
SIDE SKIN ASSEMBLY FORWARD OUTBOARD LEFT FLOAT	87
SIDE SKIN ASSEMBLY FORWARD INBOARD RIGHT FLOAT.....	88
SIDE SKIN ASSEMBLY FORWARD OUTBOARD RIGHT FLOAT	89
SIDE SKIN ASSEMBLY MID INBOARD LEFT FLOAT	90
SIDE SKIN ASSEMBLY MID OUTBOARD LEFT FLOAT	91
SIDE SKIN ASSEMBLY MID INBOARD RIGHT FLOAT	92
SIDE SKIN ASSEMBLY MID OUTBOARD RIGHT FLOAT	93
SIDE SKIN ASSEMBLY AFT INBOARD LEFT FLOAT	94
SIDE SKIN ASSEMBLY AFT OUTBOARD LEFT FLOAT	95
SIDE SKIN ASSEMBLY AFT INBOARD RIGHT FLOAT	96
SIDE SKIN ASSEMBLY AFT OUTBOARD RIGHT FLOAT	97

SIDE SKIN ASSEMBLY FORWARD INBOARD LEFT FLOAT



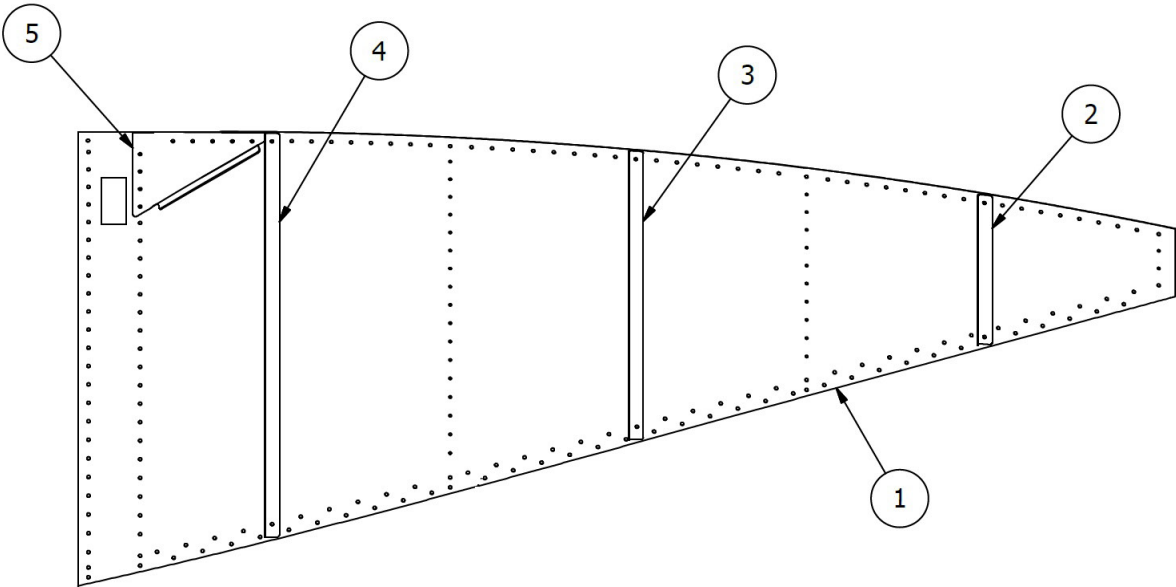
ITEM	QTY	PART NO.	PART DESCRIPTION
-	1	1003784	ASSY, SKIN, FWD, IBRD, LT FLT, 7000
1	1	1003191	SKIN, SIDE, FWD, IBRD, LT FLT, 7000
2	1	1003797	STIFFENER, FWD, FWD SIDE SKIN, RT FLT
3	1	1003799	STIFFENER, MID, FWD SIDE SKIN, RT FLT
4	1	1003801	STIFFENER, AFT, FWD SIDE SKIN
5	1	1004199	DOUBLER, BLKHD 4, FWD, LT FLT, 7000

SIDE SKIN ASSEMBLY FORWARD OUTBOARD LEFT FLOAT



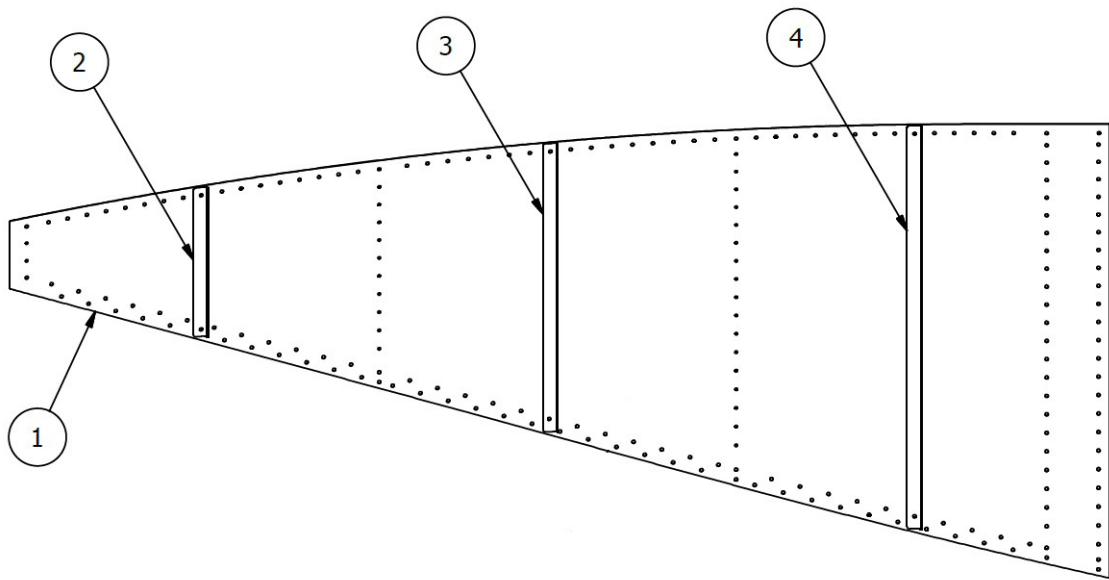
ITEM	QTY	PART NO.	PART DESCRIPTION
-	1	1003785	ASSY, SKIN, FWD, OBRD, LT FLT, 7000
1	1	1003189	SKIN, SIDE, FWD, OBRD, LT FLT, 7000
2	1	1003796	STIFFENER, FWD, FWD SIDE SKIN, LH FLT
3	1	1003798	STIFFENER, MID, FWD SIDE SKIN, LH FLT
4	1	1003800	STIFFENER, AFT, FWD SIDE SKIN, LH FLT

SIDE SKIN ASSEMBLY FORWARD INBOARD RIGHT FLOAT



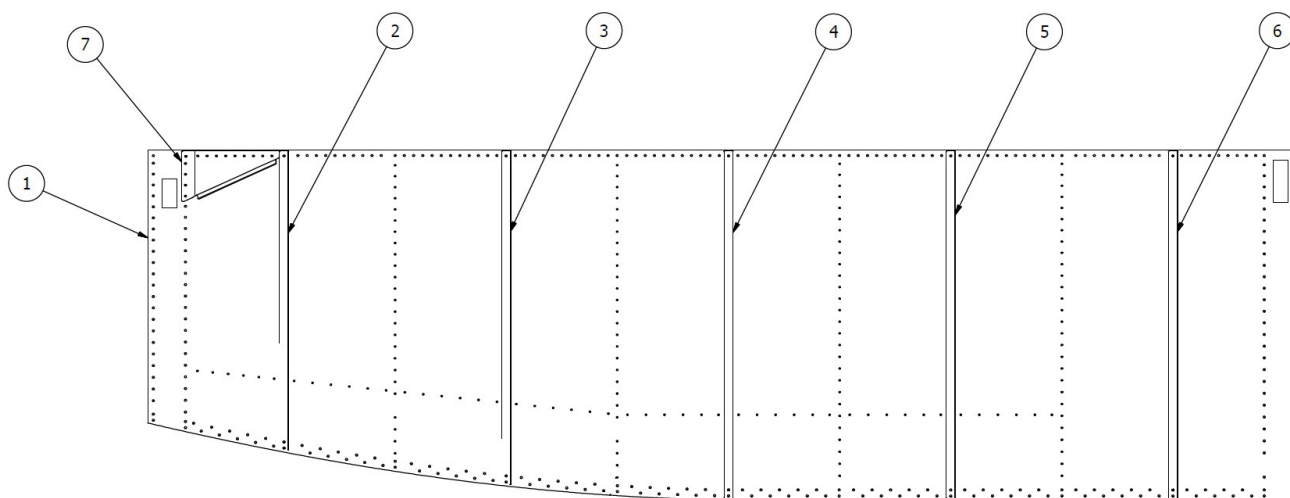
ITEM	QTY	PART NO.	PART DESCRIPTION
-	1	1003786	ASSY, SKIN, FWD, IBRD, RT FLT, 7000
1	1	1003192	SKIN, SIDE, FWD, IBRD, RT FLT, 7000
2	1	1003796	STIFFENER, FWD, FWD SIDE SKIN, LH FLT
3	1	1003798	STIFFENER, MID, FWD SIDE SKIN, LH FLT
4	1	1003800	STIFFENER, AFT, FWD SIDE SKIN, LH FLT
5	1	1004200	DOUBLER,BLKHD 4, FWD, RT FLT, 7000

SIDE SKIN ASSEMBLY FORWARD OUTBOARD RIGHT FLOAT



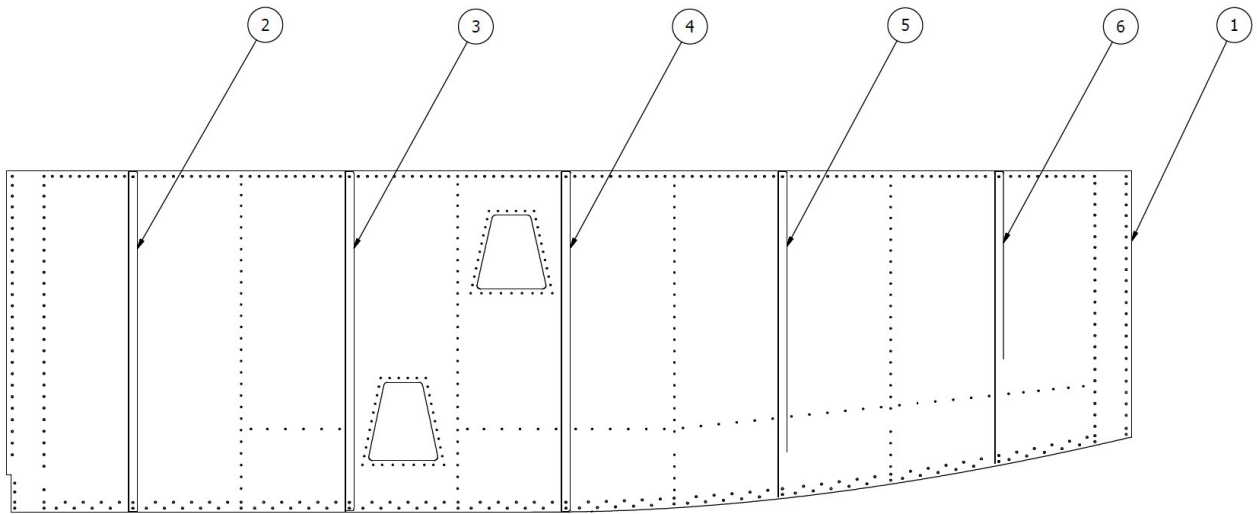
ITEM	QTY	PART NO.	PART DESCRIPTION
-	1	1003787	ASSY, SKIN, FWD, OBRD, RT FLT, 7000
1	1	1003190	SKIN, SIDE, FWD, OBRD, RT FLT, 7000
2	1	1003797	STIFFENER, FWD, FWD SIDE SKIN, RT FLT
3	1	1003799	STIFFENER, MID, FWD SIDE SKIN, RT FLT
4	1	1003801	STIFFENER, AFT, FWD SIDE SKIN

SIDE SKIN ASSEMBLY MID INBOARD LEFT FLOAT



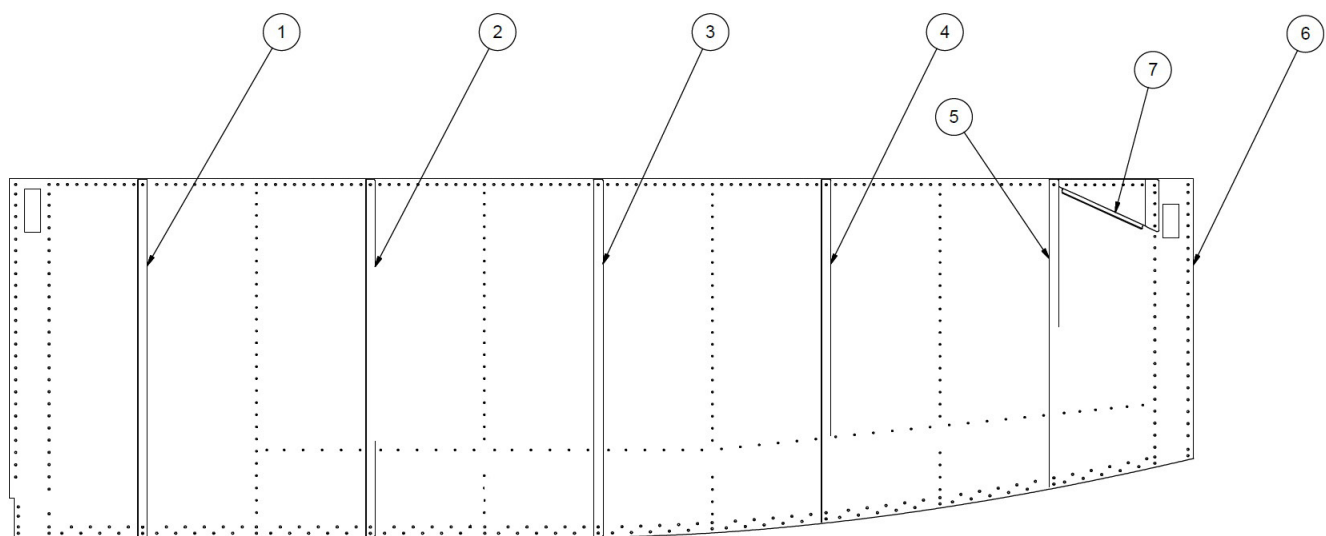
ITEM	QTY	PART NO.	PART DESCRIPTION
-	1	1003788	ASSY, SKIN, MID, IBRD, LT FLT, 7000
1	1	1003181	SKIN, SIDE, MID, IBRD, 7000
2	1	1003574	STIFFENER, SIDE SKIN, RH
3	1	1003576	STIFFENER, SIDE SKIN, RH
4	1	1003578	STIFFENER, SIDE SKIN, RH
5	1	1003580	STIFFENER, SIDE SKIN, RH
6	1	1003582	STIFFENER, SIDE SKIN, RH
7	1	1004201	DOUBLER, BLKHD 4, AFT, IBRD, LT FLT, 7000

SIDE SKIN ASSEMBLY MID OUBOARD LEFT FLOAT



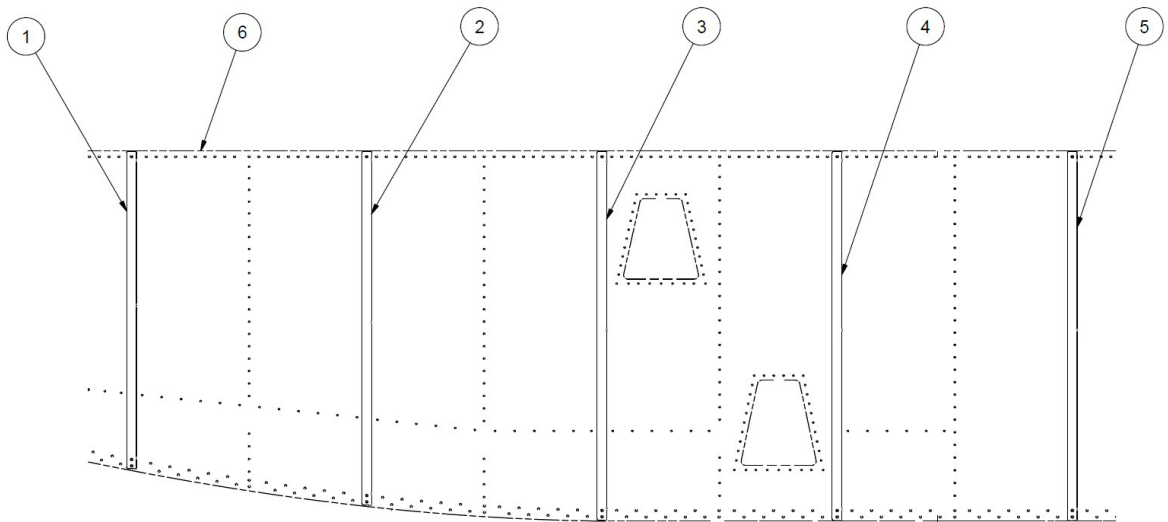
ITEM	QTY	PART NO.	PART DESCRIPTION
-	1	1003789	ASSY, SKIN, MID, OBRD, LT FLT, 7000
1	1	1003178	SKIN, SIDE, MID, OBRD, 7000
2	1	1003581	STIFFENER, SIDE SKIN, LH
3	1	1003579	STIFFENER, SIDE SKIN, LH
4	1	1003577	STIFFENER, SIDE SKIN, LH
5	1	1003575	STIFFENER, SIDE SKIN, LH
6	1	1003573	STIFFENER, SIDE SKIN, LH

SIDE SKIN ASSEMBLY MID INBOARD RIGHT FLOAT



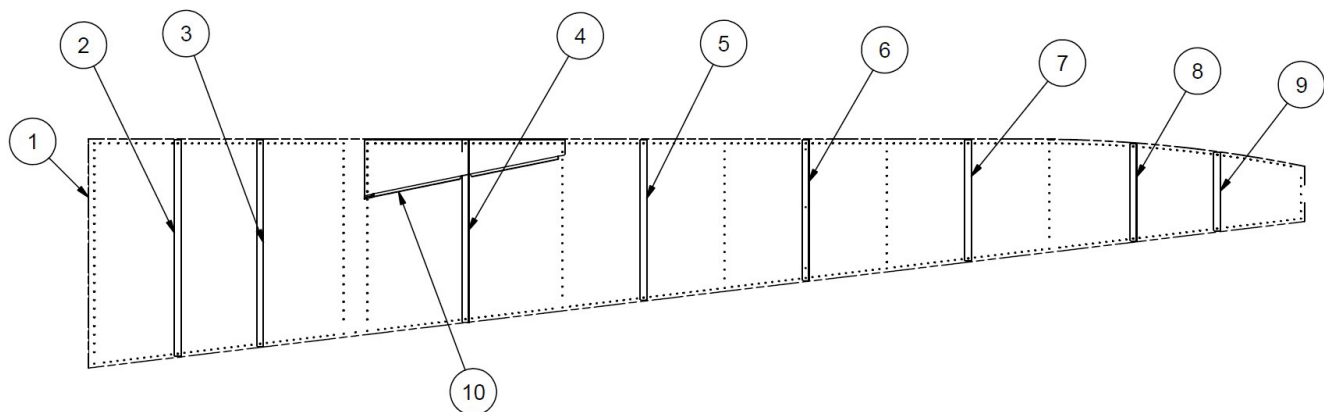
ITEM	QTY	PART NO.	PART DESCRIPTION
-	1	1003790	ASSY, SKIN, MID, IBRD, RT FLT, 7000
1	1	1003581	STIFFENER, SIDE SKIN, LH
2	1	1003579	STIFFENER, SIDE SKIN, LH
3	1	1003577	STIFFENER, SIDE SKIN, LH
4	1	1003575	STIFFENER, SIDE SKIN, LH
5	1	1003573	STIFFENER, SIDE SKIN, LH
6	1	1003181	SKIN, SIDE, MID, IBRD, 7000
7	1	1004202	DOUBLER, BLKHD 4, AFT, IBRD, RT FLT, 7000

SIDE SKIN ASSEMBLY MID OUBOARD RIGHT FLOAT



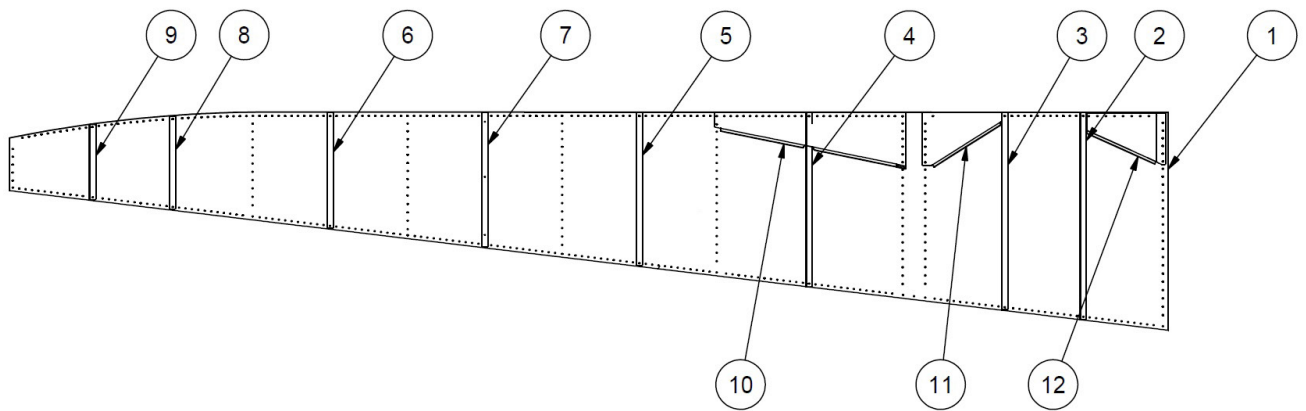
ITEM	QTY	PART NO.	PART DESCRIPTION
-	1	1003791	ASSY, SKIN, MID, OBRD, RT FLT, 7000
1	1	1003574	STIFFENER, SIDE SKIN, RH
2	1	1003576	STIFFENER, SIDE SKIN, RH
3	1	1003578	STIFFENER, SIDE SKIN, RH
4	1	1003580	STIFFENER, SIDE SKIN, RH
5	1	1003582	STIFFENER, SIDE SKIN, RH
6	1	1003178	SKIN, SIDE, MID, OBRD, 7000

SIDE SKIN ASSEMBLY AFT INBOARD LEFT FLOAT



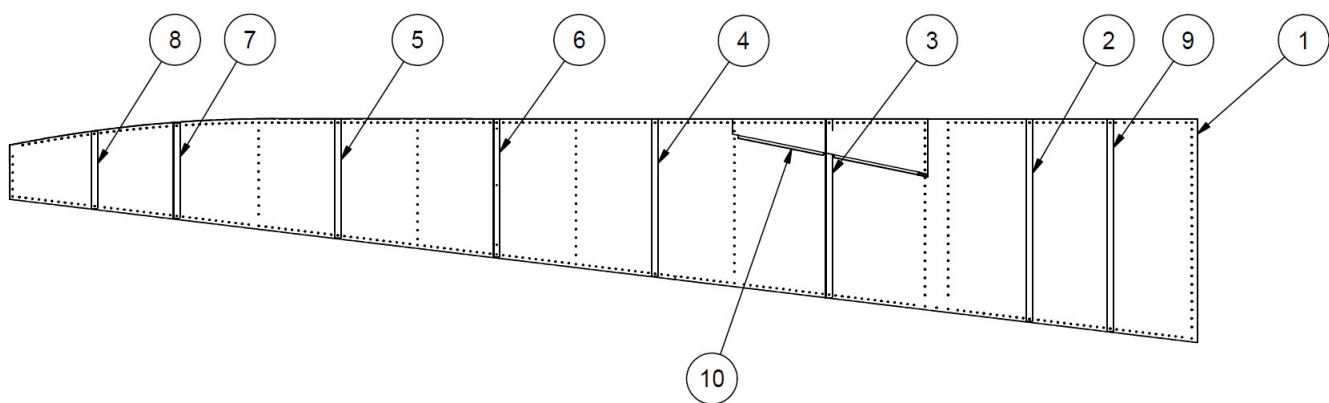
ITEM	QTY	PART NO.	PART DESCRIPTION
-	1	1003792	ASSY, SKIN, AFT, IBRD, LT FLT , 7000
1	1	1003184	SKIN, SIDE, AFT, 7000
2	1	1003584	STIFFENER, SIDE SKIN, RH
3	1	1003586	STIFFENER, SIDE SKIN, RH
4	1	1003588	STIFFENER, SIDE SKIN, RH
5	1	1003590	STIFFENER, SIDE SKIN, RH
6	1	1003592	STIFFENER, SIDE SKIN, RH
7	1	1003594	STIFFENER, SIDE SKIN, RH
8	1	1003596	STIFFENER, SIDE SKIN, RH
9	1	1003598	STIFFENER, SIDE SKIN, RH
10	1	1004236	DOUBLER, BLKHD 11 TO 12, RT, 7000

SIDE SKIN ASSEMBLY AFT OUTBOARD LEFT FLOAT



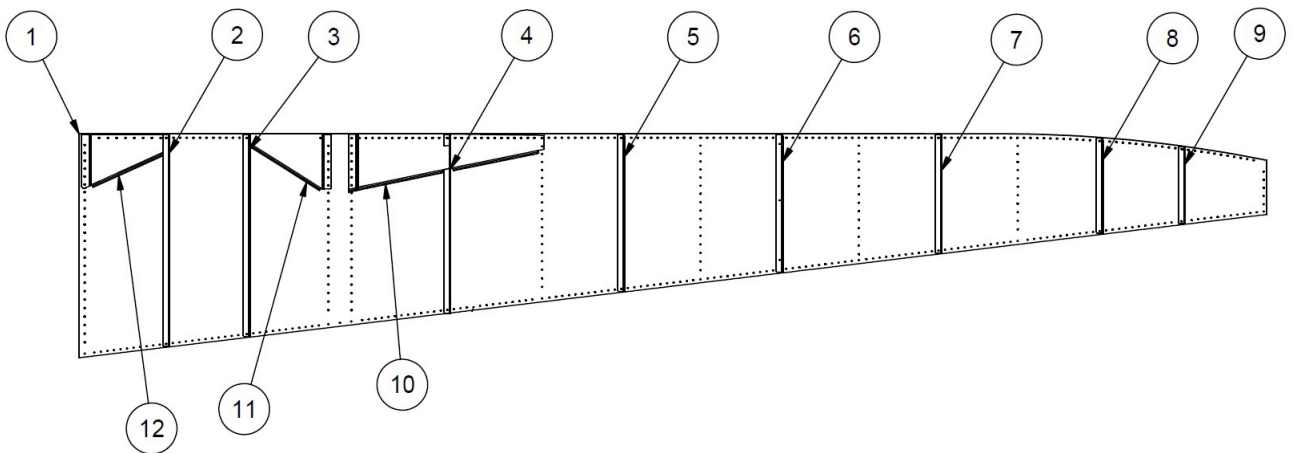
ITEM	QTY	PART NO.	PART DESCRIPTION
-	1	1003793	ASSY, SKIN, AFT, OBRD, LT FLT, 7000
1	1	1003184	SKIN, SIDE, AFT, 7000
2	1	1003583	STIFFENER, SIDE SKIN, LH
3	1	1003585	STIFFENER, SIDE SKIN, LH
4	1	1003587	STIFFENER, SIDE SKIN, LH
5	1	1003589	STIFFENER, SIDE SKIN, LH
6	1	1003593	STIFFENER, SIDE SKIN, LH
7	1	1003591	STIFFENER, SIDE SKIN, LH
8	1	1003595	STIFFENER, SIDE SKIN, LH
9	1	1003597	STIFFENER, SIDE SKIN, LH
10	1	1004235	DOUBLER, BLKHD 11 TO 12, LT, 7000
11	1	1004184	DOUBLER, BLKHD 11, LT FLT, 7000
12	1	1004192	DOUBLER, BLKHD 10, LT FLT, 7000

SIDE SKIN ASSEMBLY AFT INBOARD RIGHT FLOAT



ITEM	QTY	PART NO.	PART DESCRIPTION
-	1	1004087	ASSY, SKIN, AFT, IBRD, RT FLT, 7000
1	1	1003184	SKIN, SIDE, AFT, 7000
2	1	1003585	STIFFENER, SIDE SKIN, LH
3	1	1003587	STIFFENER, SIDE SKIN, LH
4	1	1003589	STIFFENER, SIDE SKIN, LH
5	1	1003593	STIFFENER, SIDE SKIN, LH
6	1	1003591	STIFFENER, SIDE SKIN, LH
7	1	1003595	STIFFENER, SIDE SKIN, LH
8	1	1003597	STIFFENER, SIDE SKIN, LH
9	1	1003583	STIFFENER, SIDE SKIN, LH
10	1	1004235	DOUBLER, BLKHD 11 TO 12, LT, 7000

SIDE SKIN ASSEMBLY AFT OUTBOARD RIGHT FLOAT



ITEM	QTY	PART NO.	PART DESCRIPTION
-	1	1004088	ASSY, SKIN, AFT, OBRD, RT FLT , 7000
1	1	1003184	SKIN, SIDE, AFT, RT, 7000
2	1	1003584	STIFFENER, SIDE SKIN, RH
3	1	1003586	STIFFENER, SIDE SKIN, RH
4	1	1003588	STIFFENER, SIDE SKIN, RH
5	1	1003590	STIFFENER, SIDE SKIN, RH
6	1	1003592	STIFFENER, SIDE SKIN, RH
7	1	1003594	STIFFENER, SIDE SKIN, RH
8	1	1003596	STIFFENER, SIDE SKIN, RH
9	1	1003598	STIFFENER, SIDE SKIN, RH
10	1	1004236	DOUBLER, BLKHD 11 TO 12, RT, 7000
11	1	1004185	DOUBLER, BLKHD 11, RT FLT, 7000
12	1	1004193	DOUBLER, BLKHD 10, RT FLT, 7000

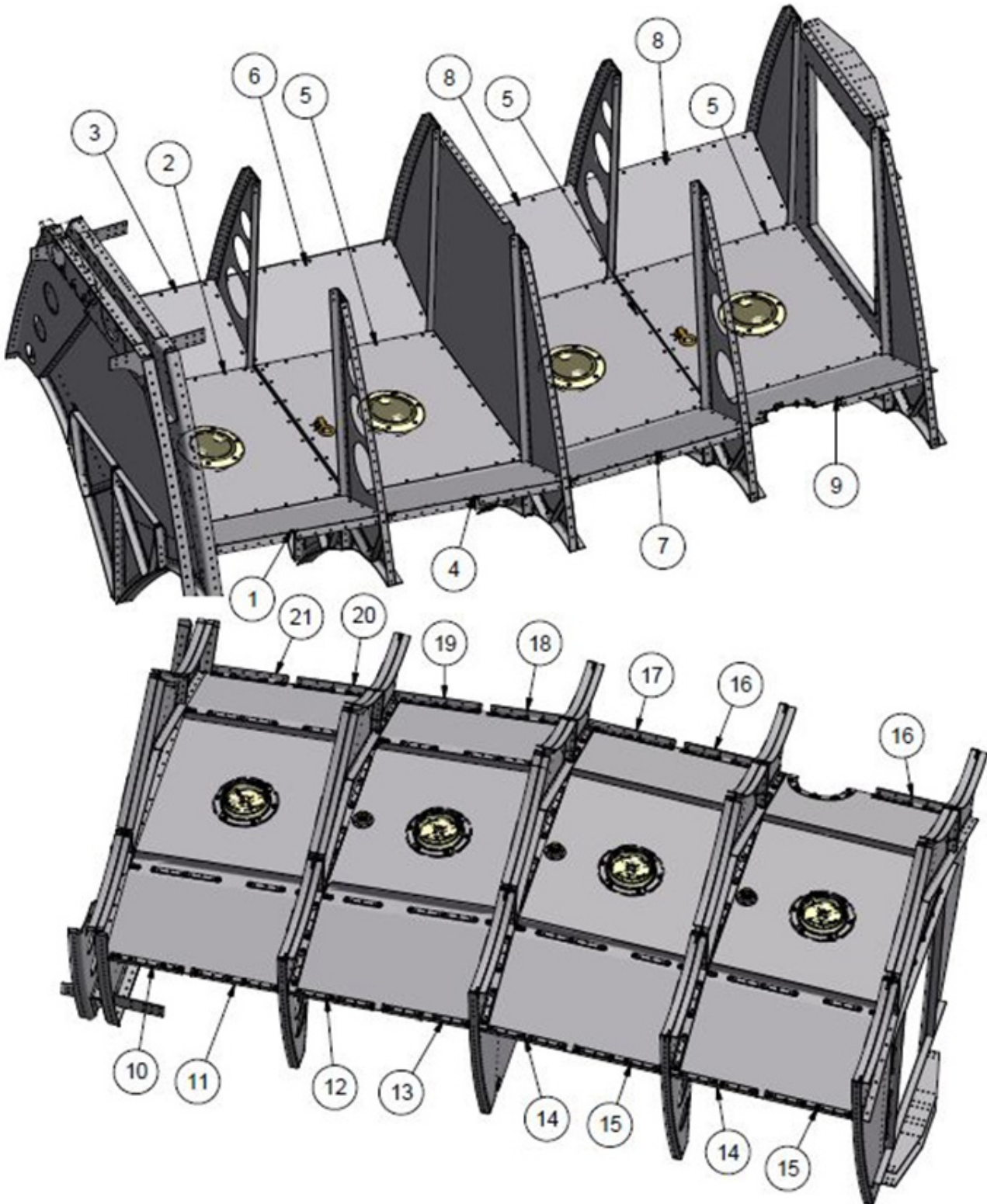
THIS PAGE INTENTIONALLY LEFT BLANK

SECTION 7 BAGGAGE FLOORS

CONTENTS

BAGGAGE BAY FLOORS LEFT FLOAT.....	100
BAGGAGE BAY FLOORS RIGHT FLOAT	104

BAGGAGE BAY FLOORS LEFT FLOAT



PARTS MANUAL
WIPLINE 7000 FLOATS

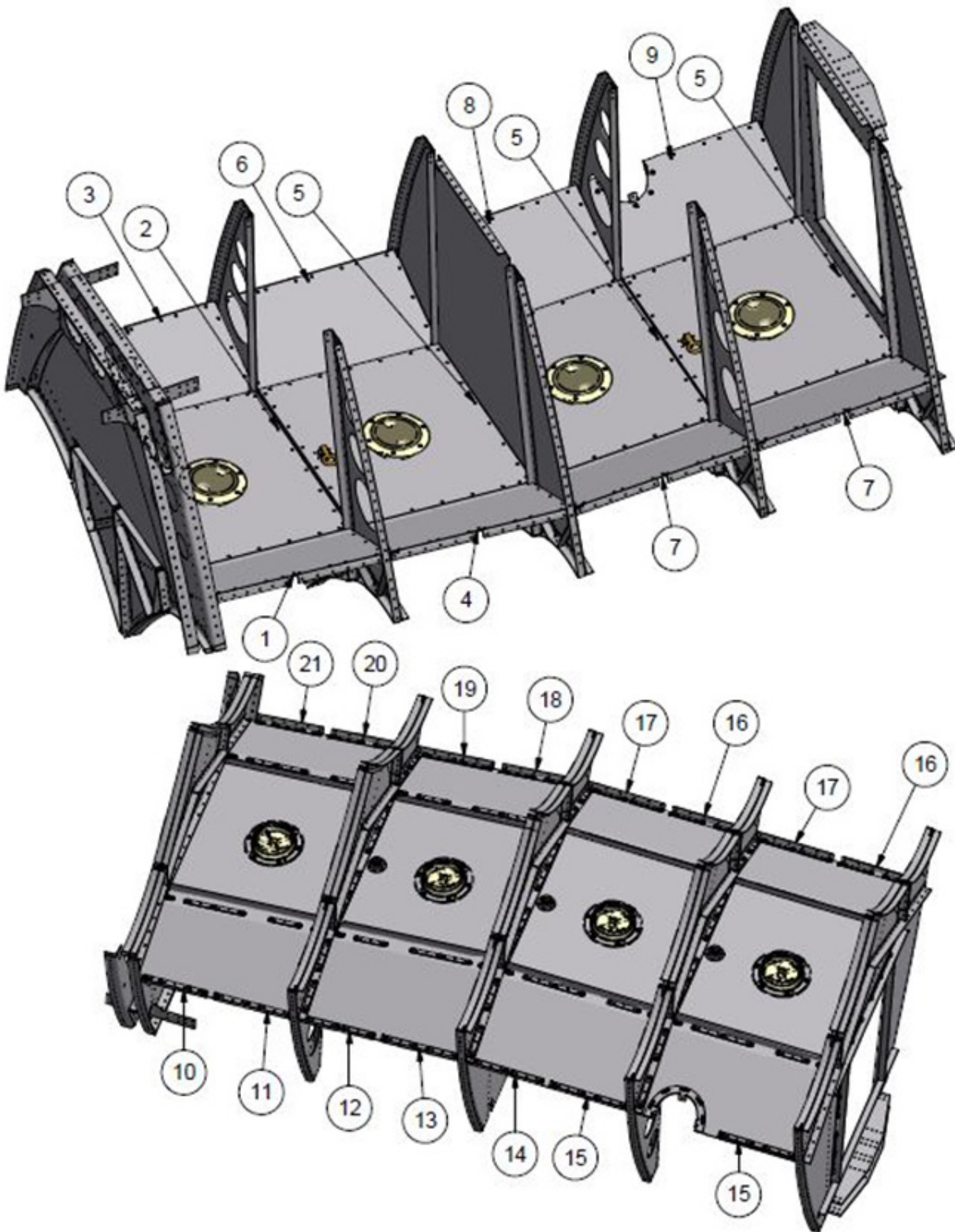
ITEM	QTY	PART NO.	PART DESCRIPTION
1	1	1003827	ASSEMBLY, FLOOR, BAGGAGE, SIDE, LH, 7000
1.1	1	1003567	FLOOR, BAGGAGE, SIDE, LH
1.2	1	1003693	NUTPLATE, CORROSION RESISTANT, TRIPLE
1.3	1	1003692	NUTPLATE, CORROSION RESISTANT, DOUBLE
1.4	2	1003691	NUTPLATE, CORROSION RESISTANT, SINGLE
2	1	1004643	ASSEMBLY, FLOOR, BAGGAGE, CENTER, FWD, 7000
2.1	1	1004642	FLOOR, BAGGAGE, CENTER, FWD, 7000
2.2	1	1004593	COVER, 4" INSPECTION
2.3	1	1009941	GASKET, INSPECTION COVER
3	1	1003828	ASSEMBLY, FLOOR, BAGGAGE, SIDE, RH, 7000
3.1	1	1003568	FLOOR, BAGGAGE, SIDE, RH
3.2	1	1003693	NUTPLATE, CORROSION RESISTANT, TRIPLE
3.3	1	1003692	NUTPLATE, CORROSION RESISTANT, DOUBLE
3.4	2	1003691	NUTPLATE, CORROSION RESISTANT, SINGLE
4	1	1003826	ASSEMBLY, FLOOR, BAGGAGE, SIDE, LH, 7000
4.1	1	1003565	FLOOR, BAGGAGE, SIDE, LH
4.2	1	1003693	NUTPLATE, CORROSION RESISTANT, TRIPLE
4.3	1	1003692	NUTPLATE, CORROSION RESISTANT, DOUBLE
4.4	2	1003691	NUTPLATE, CORROSION RESISTANT, SINGLE
5	3	1004645	ASSEMBLY, FLOOR, BAGGAGE, CENTER, AFT, 7000
5.1	1	1004644	FLOOR, BAGGAGE, CENTER, AFT, 7000
5.2	1	1004593	COVER, 4" INSPECTION
5.3	1	1009941	GASKET, INSPECTION COVER
5.4	1	1004854	PLUG REINFORCEMENT, BAGGAGE FLOOR
5.5	1	1004855	DRAIN, PLUG, BAILER
6	1	1003829	ASSEMBLY, FLOOR, BAGGAGE, SIDE, RH, 7000
6.1	1	1003566	FLOOR, BAGGAGE, SIDE, RH, 7000
6.2	1	1003693	NUTPLATE, CORROSION RESISTANT, TRIPLE
6.3	1	1003692	NUTPLATE, CORROSION RESISTANT, DOUBLE
6.4	2	1003691	NUTPLATE, CORROSION RESISTANT, SINGLE
7	1	1003825	ASSEMBLY, FLOOR, BAGGAGE, SIDE, LH, 7000
7.1	1	1003571	FLOOR, BAGGAGE, SIDE, LH, 7000
7.2	1	1003693	NUTPLATE, CORROSION RESISTANT, TRIPLE
7.3	1	1003692	NUTPLATE, CORROSION RESISTANT, DOUBLE
7.4	2	1003691	NUTPLATE, CORROSION RESISTANT, SINGLE
8	2	1003830	ASSEMBLY, FLOOR, BAGGAGE, SIDE, RH, 7000
8.1	1	1003572	FLOOR, BAGGAGE, SIDE, RH, 7000
8.2	1	1003693	NUTPLATE, CORROSION RESISTANT, TRIPLE
8.3	1	1003692	NUTPLATE, CORROSION RESISTANT, DOUBLE
8.4	2	1003691	NUTPLATE, CORROSION RESISTANT, SINGLE
9	1	1004081	ASSEMBLY, PANEL POCKET, LT FLT, 7000

ITEM	QTY	PART NO.	PART DESCRIPTION
9.1	1	1003804	FLOOR, BAGGAGE, SIDE,W STEP, OBRD, LT FLT
9.2	1	1003808	ASSEMBLY, STEP TIE, 7000
9.2.1	1	1003806	BRACKET, STEP TIE , BAG FLR, 7000
9.3	1	1003692	NUTPLATE, CORROSION RESISTANT, DOUBLE
9.4	1	1003693	NUTPLATE, CORROSION RESISTANT, TRIPLE
9.5	2	1003691	NUTPLATE, CORROSION RESISTANT, SINGLE
10	1	1003842	ASSEMBLY, SUPPORT, BAGGAGE FLOOR, SIDE, RH, 7000
10.1	1	1003660	SUPPORT, BAGGAGE FLOOR, SIDE SKIN, RH
10.2	1	1003692	NUTPLATE, CORROSION RESISTANT, DOUBLE
10.3	2	1003691	NUTPLATE, CORROSION RESISTANT, SINGLE
11	1	1003841	ASSEMBLY, SUPPORT, BAGGAGE FLOOR, SIDE, RH, 7000
11.1	1	1003656	SUPPORT, BAGGAGE FLOOR, SIDE SKIN, RH
11.2	2	1003692	NUTPLATE, CORROSION RESISTANT, DOUBLE
12	1	1003840	ASSEMBLY, SUPPORT, BAGGAGE FLOOR, SIDE, RH, 7000
12.1	1	1003686	SUPPORT, BAGGAGE FLOOR, SIDE SKIN, RH
12.2	2	1003692	NUTPLATE, CORROSION RESISTANT, DOUBLE
13	1	1003839	ASSEMBLY, SUPPORT, BAGGAGE FLOOR, SIDE, RH, 7000
13.1	1	1003652	SUPPORT, BAGGAGE FLOOR, SIDE SKIN, RH
13.2	2	1003692	NUTPLATE, CORROSION RESISTANT, DOUBLE
14	2	1003838	ASSEMBLY, SUPPORT, BAGGAGE FLOOR, SIDE, RH, 7000
14.1	1	1003654	SUPPORT, BAGGAGE FLOOR, SIDE SKIN, RH
14.2	2	1003692	NUTPLATE, CORROSION RESISTANT, DOUBLE
15	2	1003837	ASSEMBLY, SUPPORT, BAGGAGE FLOOR, SIDE, RH, 7000
15.1	1	1003600	SUPPORT, BAGGAGE FLOOR, SIDE SKIN, RH
15.2	2	1003692	NUTPLATE, CORROSION RESISTANT, DOUBLE
16	2	1003831	ASSEMBLY, SUPPORT, BAGGAGE FLOOR, SIDE, LH, 7000
16.1	1	1003599	SUPPORT, BAGGAGE FLOOR, SIDE SKIN, LH
16.2	2	1003692	NUTPLATE, CORROSION RESISTANT, DOUBLE
17	1	1003832	ASSEMBLY, SUPPORT, BAGGAGE FLOOR, SIDE, LH, 7000
17.1	1	1003653	SUPPORT, BAGGAGE FLOOR, SIDE SKIN, LH
17.2	2	1003692	NUTPLATE, CORROSION RESISTANT, DOUBLE
18	1	1003833	ASSEMBLY, SUPPORT, BAGGAGE FLOOR, SIDE, LH, 7000
18.1	1	1003651	SUPPORT, BAGGAGE FLOOR, SIDE SKIN, LH
18.2	2	1003692	NUTPLATE, CORROSION RESISTANT, DOUBLE
19	1	1003834	ASSEMBLY, SUPPORT, BAGGAGE FLOOR, SIDE, LH, 7000
19.1	1	1003685	SUPPORT, BAGGAGE FLOOR, SIDE SKIN, LH
19.2	2	1003692	NUTPLATE, CORROSION RESISTANT, DOUBLE
20	1	1003835	ASSEMBLY, SUPPORT, BAGGAGE FLOOR, SIDE, LH, 7000
20.1	1	1003655	SUPPORT, BAGGAGE FLOOR, SIDE SKIN, LH
20.2	2	1003692	NUTPLATE, CORROSION RESISTANT, DOUBLE
21	1	1003836	ASSEMBLY, SUPPORT, BAGGAGE FLOOR, SIDE, LH, 7000

PARTS MANUAL
WIPLINE 7000 FLOATS

ITEM	QTY	PART NO.	PART DESCRIPTION
21.1	1	1003659	SUPPORT, BAGGAGE FLOOR, SIDE SKIN, LH
21.2	1	1003692	NUTPLATE, CORROSION RESISTANT, DOUBLE
21.3	2	1003691	NUTPLATE, CORROSION RESISTANT, SINGLE

BAGGAGE BAY FLOORS RIGHT FLOAT



PARTS MANUAL
WIPLINE 7000 FLOATS

ITEM	QTY	PART NO.	PART DESCRIPTION
1	1	1003827	ASSEMBLY, FLOOR, BAGGAGE, SIDE, LH, 7000
1.1	1	1003567	FLOOR, BAGGAGE, SIDE, LH
1.2	1	1003693	NUTPLATE, CORROSION RESISTANT, TRIPLE
1.3	1	1003692	NUTPLATE, CORROSION RESISTANT, DOUBLE
1.4	2	1003691	NUTPLATE, CORROSION RESISTANT, SINGLE
2	1	1004643	ASSEMBLY, FLOOR, BAGGAGE, CENTER, FWD, 7000
2.1	1	1004642	FLOOR, BAGGAGE, CENTER, FWD, 7000
2.2	1	1004593	COVER, 4" INSPECTION
2.3	1	1009941	GASKET, INSPECTION COVER
3	1	1003828	ASSEMBLY, FLOOR, BAGGAGE, SIDE, RH, 7000
3.1	1	1003568	FLOOR, BAGGAGE, SIDE, RH
3.2	1	1003693	NUTPLATE, CORROSION RESISTANT, TRIPLE
3.3	1	1003692	NUTPLATE, CORROSION RESISTANT, DOUBLE
3.4	2	1003691	NUTPLATE, CORROSION RESISTANT, SINGLE
4	1	1003826	ASSEMBLY, FLOOR, BAGGAGE, SIDE, LH, 7000
4.1	1	1003565	FLOOR, BAGGAGE, SIDE, LH
4.2	1	1003693	NUTPLATE, CORROSION RESISTANT, TRIPLE
4.3	1	1003692	NUTPLATE, CORROSION RESISTANT, DOUBLE
4.4	2	1003691	NUTPLATE, CORROSION RESISTANT, SINGLE
5	3	1004645	ASSEMBLY, FLOOR, BAGGAGE, CENTER, AFT, 7000
5.1	1	1004644	FLOOR, BAGGAGE, CENTER, AFT, 7000
5.2	1	1004593	COVER, 4" INSPECTION
5.3	1	1009941	GASKET, INSPECTION COVER
5.4	1	1004854	PLUG REINFORCEMENT, BAGGAGE FLOOR
5.5	1	1004855	DRAIN PLUG, BAILER
6	1	1003829	ASSEMBLY, FLOOR, BAGGAGE, SIDE, RH, 7000
6.1	1	1003566	FLOOR, BAGGAGE, SIDE, RH, 7000
6.2	1	1003693	NUTPLATE, CORROSION RESISTANT, TRIPLE
6.4	1	1003692	NUTPLATE, CORROSION RESISTANT, DOUBLE
6.5	2	1003691	NUTPLATE, CORROSION RESISTANT, SINGLE
7	2	1003825	ASSEMBLY, FLOOR, BAGGAGE, SIDE, LH, 7000
7.1	1	1003571	FLOOR, BAGGAGE, SIDE, LH, 7000
7.2	1	1003693	NUTPLATE, CORROSION RESISTANT, TRIPLE
7.3	1	1003692	NUTPLATE, CORROSION RESISTANT, DOUBLE
7.4	2	1003691	NUTPLATE, CORROSION RESISTANT, SINGLE
8	1	1003830	ASSEMBLY, FLOOR, BAGGAGE, SIDE, RH, 7000
8.1	1	1003572	FLOOR, BAGGAGE, SIDE, RH, 7000
8.2	1	1003693	NUTPLATE, CORROSION RESISTANT, TRIPLE
8.3	1	1003692	NUTPLATE, CORROSION RESISTANT, DOUBLE
8.4	2	1003691	NUTPLATE, CORROSION RESISTANT, SINGLE
9	1	1004082	ASSEMBLY, PANEL POCKET, RT FLT, 7000

ITEM	QTY	PART NO.	PART DESCRIPTION
9.1	1	1003805	FLOOR, BAGGAGE, SIDE, W STEP, OBRD, RT FLT
9.2	1	1003808	ASSEMBLY, STEP TIE, 7000
9.2.1	1	1003806	BRACKET, STEP TIE , BAG FLR, 7000
9.3	1	1003692	NUTPLATE, CORROSION RESISTANT, DOUBLE
9.4	2	1003691	NUTPLATE, CORROSION RESISTANT, SINGLE
9.5	1	1003693	NUTPLATE, CORROSION RESISTANT, TRIPLE
10	1	1003842	ASSEMBLY, SUPPORT, BAGGAGE FLOOR, SIDE, RH, 7000
10.1	1	1003660	SUPPORT, BAGGAGE FLOOR, SIDE SKIN, RH
10.2	1	1003692	NUTPLATE, CORROSION RESISTANT, DOUBLE
10.3	2	1003691	NUTPLATE, CORROSION RESISTANT, SINGLE
11	1	1003841	ASSEMBLY, SUPPORT, BAGGAGE FLOOR, SIDE, RH, 7000
11.1	1	1003656	SUPPORT, BAGGAGE FLOOR, SIDE SKIN, RH
11.2	2	1003692	NUTPLATE, CORROSION RESISTANT, DOUBLE
12	1	1003840	ASSEMBLY, SUPPORT, BAGGAGE FLOOR, SIDE, RH, 7000
12.1	1	1003686	SUPPORT, BAGGAGE FLOOR, SIDE SKIN, RH
12.2	2	1003692	NUTPLATE, CORROSION RESISTANT, DOUBLE
13	1	1003839	ASSEMBLY, SUPPORT, BAGGAGE FLOOR, SIDE, RH, 7000
13.1	1	1003652	SUPPORT, BAGGAGE FLOOR, SIDE SKIN, RH
13.2	2	1003692	NUTPLATE, CORROSION RESISTANT, DOUBLE
14	1	1003838	ASSEMBLY, SUPPORT, BAGGAGE FLOOR, SIDE, RH, 7000
14.1	1	1003654	SUPPORT, BAGGAGE FLOOR, SIDE SKIN, RH
14.2	2	1003692	NUTPLATE, CORROSION RESISTANT, DOUBLE
15	2	1003837	ASSEMBLY, SUPPORT, BAGGAGE FLOOR, SIDE, RH, 7000
15.1	1	1003600	SUPPORT, BAGGAGE FLOOR, SIDE SKIN, RH
15.2	2	1003692	NUTPLATE, CORROSION RESISTANT, DOUBLE
16	2	1003831	ASSEMBLY, SUPPORT, BAGGAGE FLOOR, SIDE, LH, 7000
16.1	1	1003599	SUPPORT, BAGGAGE FLOOR, SIDE SKIN, LH
16.2	2	1003692	NUTPLATE, CORROSION RESISTANT, DOUBLE
17	2	1003832	ASSEMBLY, SUPPORT, BAGGAGE FLOOR, SIDE, LH, 7000
17.1	1	1003653	SUPPORT, BAGGAGE FLOOR, SIDE SKIN, LH
17.2	2	1003692	NUTPLATE, CORROSION RESISTANT, DOUBLE
18	1	1003833	ASSEMBLY, SUPPORT, BAGGAGE FLOOR, SIDE, LH, 7000
18.1	1	1003651	SUPPORT, BAGGAGE FLOOR, SIDE SKIN, LH
18.2	2	1003692	NUTPLATE, CORROSION RESISTANT, DOUBLE
19	1	1003834	ASSEMBLY, SUPPORT, BAGGAGE FLOOR, SIDE, LH, 7000
19.1	1	1003685	SUPPORT, BAGGAGE FLOOR, SIDE SKIN, LH
19.2	2	1003692	NUTPLATE, CORROSION RESISTANT, DOUBLE
20	1	1003835	ASSEMBLY, SUPPORT, BAGGAGE FLOOR, SIDE, LH, 7000
20.1	1	1003655	SUPPORT, BAGGAGE FLOOR, SIDE SKIN, LH
20.2	2	1003692	NUTPLATE, CORROSION RESISTANT, DOUBLE
21	1	1003836	ASSEMBLY, SUPPORT, BAGGAGE FLOOR, SIDE, LH, 7000

PARTS MANUAL
WIPLINE 7000 FLOATS

ITEM	QTY	PART NO.	PART DESCRIPTION
21.1	1	1003659	SUPPORT, BAGGAGE FLOOR, SIDE SKIN, LH
21.2	1	1003692	NUTPLATE, CORROSION RESISTANT, DOUBLE
21.3	2	1003691	NUTPLATE, CORROSION RESISTANT, SINGLE

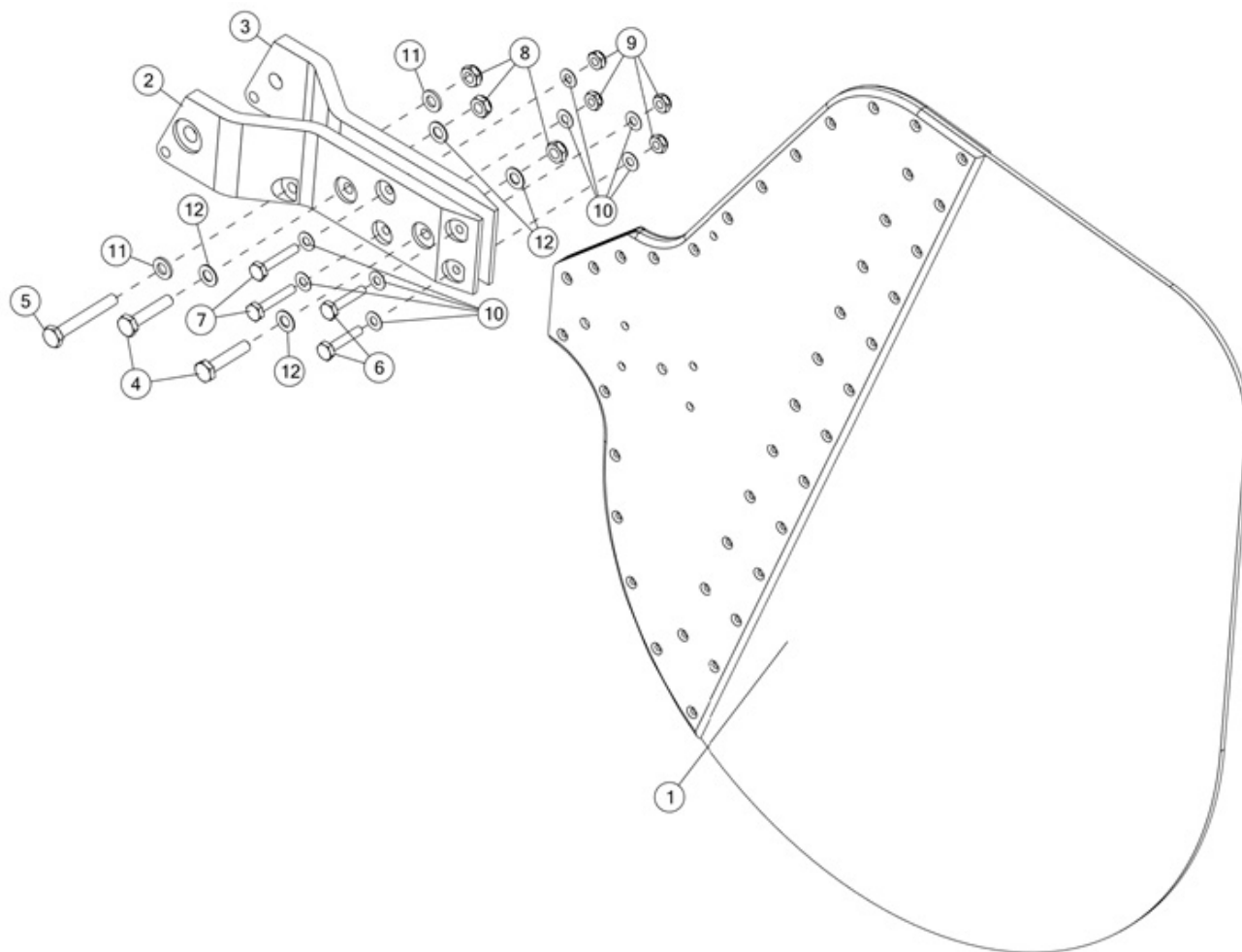
THIS PAGE INTENTIONALLY LEFT BLANK

SECTION 8 WATER RUDDER, STEERING & RETRACT CABLES

CONTENTS

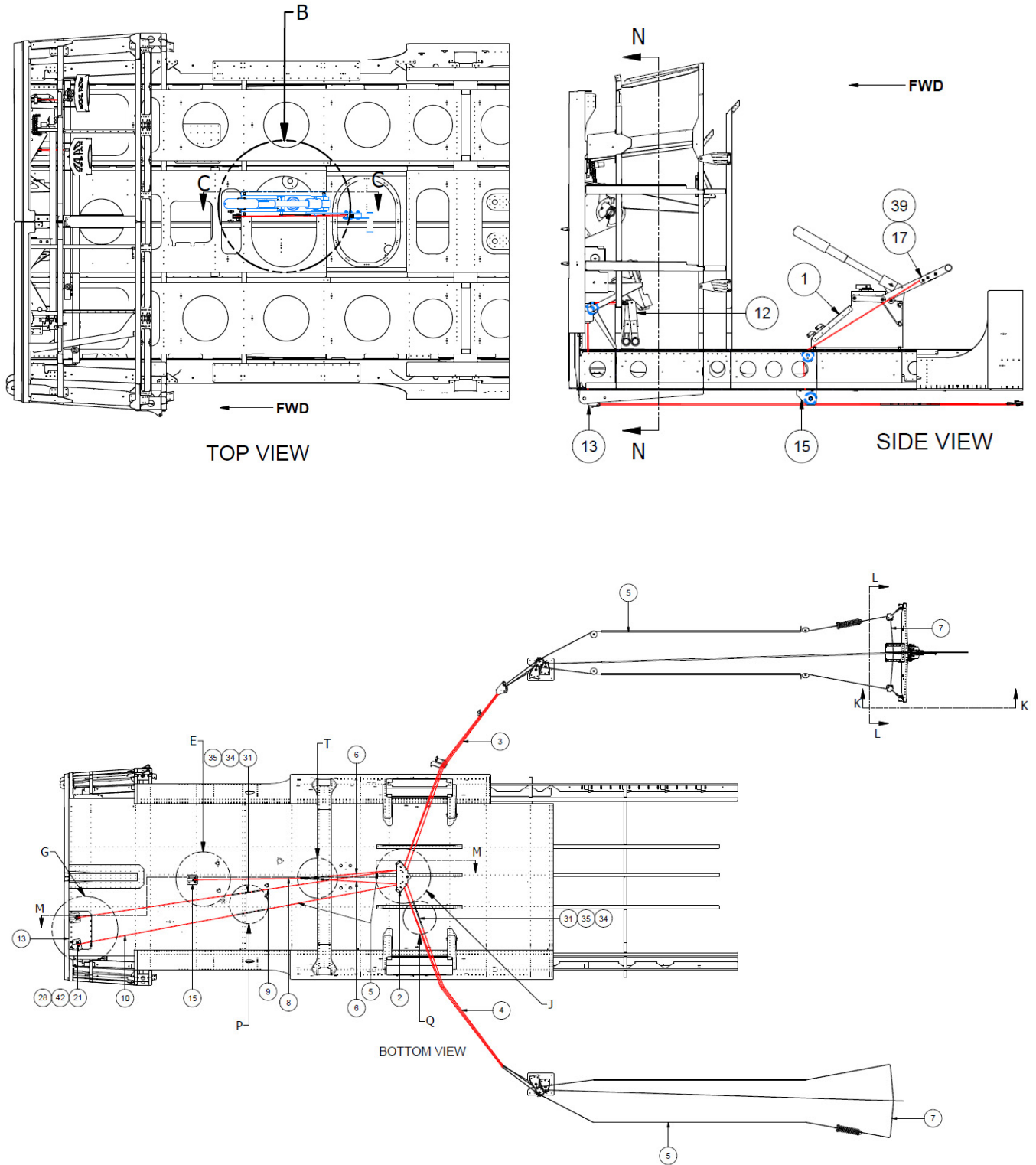
WATER RUDDER, DOUBLERS, AND ARMS ASSY 8A08000-079	110
STEERING & RETRACT CABLES	111

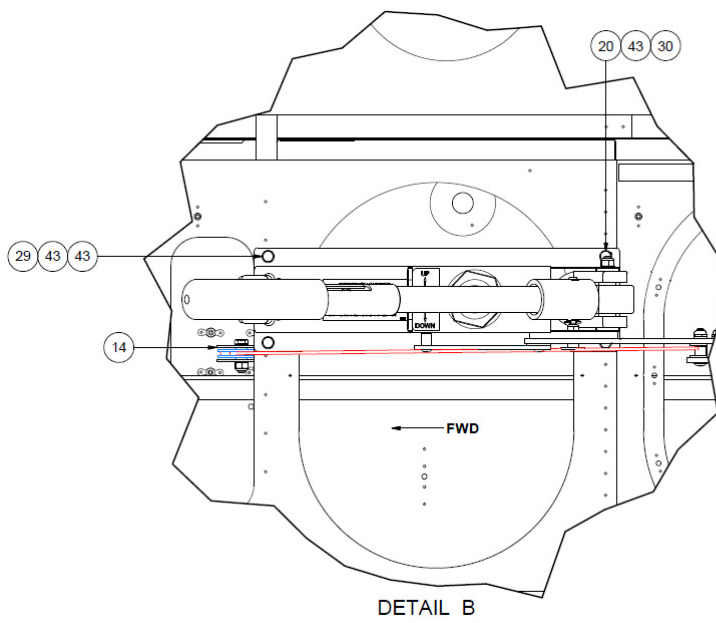
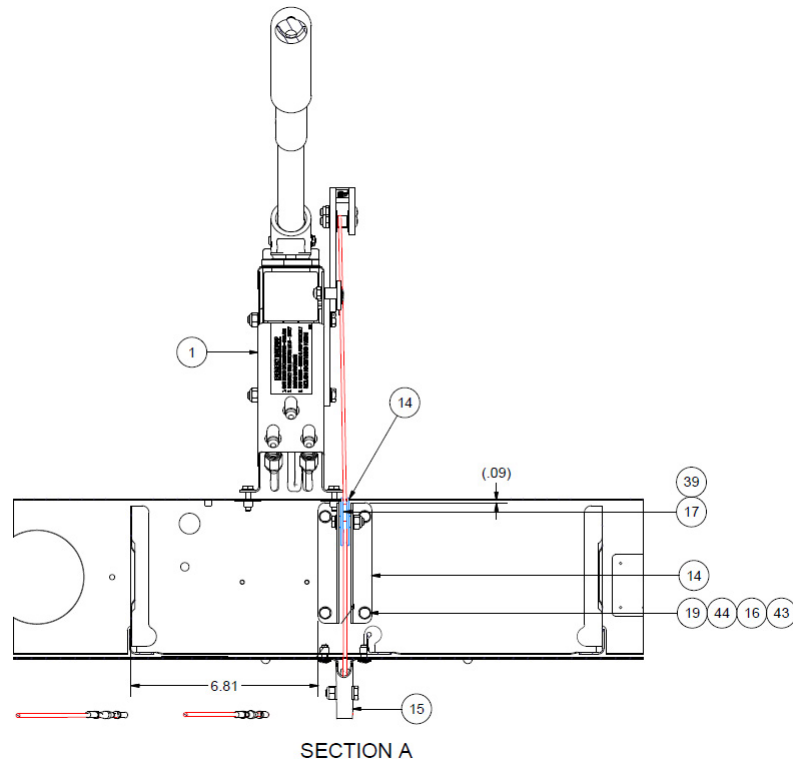
WATER RUDDER, DOUBLERS, AND ARMS ASSY 8A08000-079

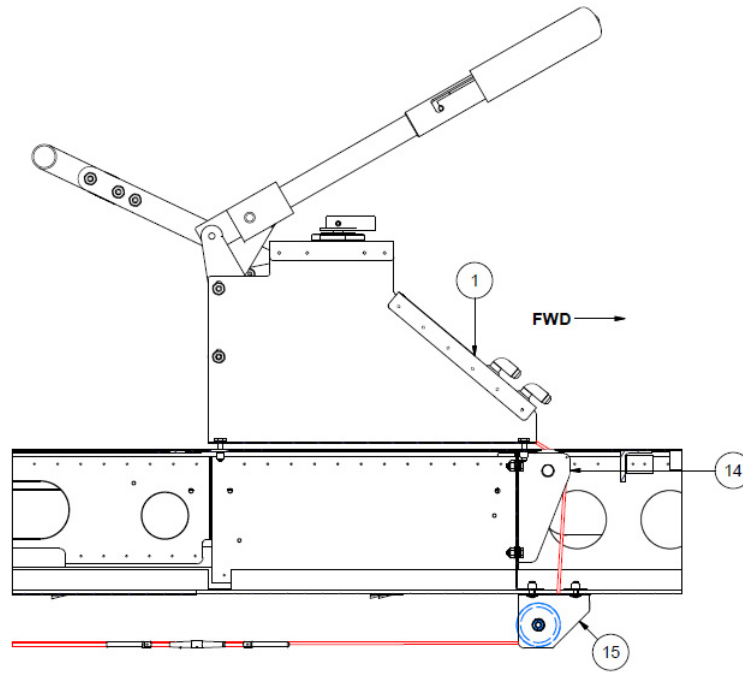


ITEM	QTY	PART NO.	PART DESCRIPTION
1	1	8A08000-023	WATER RUDDER BLADE ASSEMBLY WITH DOUBLERS
2	1	8A08044-001	ARM, WATER RUDDER LT.
3	1	8A08044-002	ARM, WATER RUDDER RT.
4	2	AN4-12A	BOLT, 1/4-28 THREAD, 13/16" GRIP, 1-9/32" LENGTH
5	1	AN4-17A	BOLT 1/4-28 THREAD, 1-7/16" GRIP, 1-29/32" LENGTH
6	2	AN3-10A	BOLT 10-32, LENGTH +/- 1/64 - 1-1/32 GRIP, LENGTH 5/8
7	2	AN3-11A	BOLT 10-32 THREAD, 3/4" GRIP, 1-5/32" LENGTH
8	3	NAS679A4W	NUT, SELF LOCKING
9	4	NAS679A3W	NUT, SELF LOCKING
10	8	NAS1149D0316J	WASHER, ALUMINUM
11	2	NAS1149D0463J	WASHER, ALUMINUM
12	4	NAS1149D0416J	WASHER, ALUMINUM

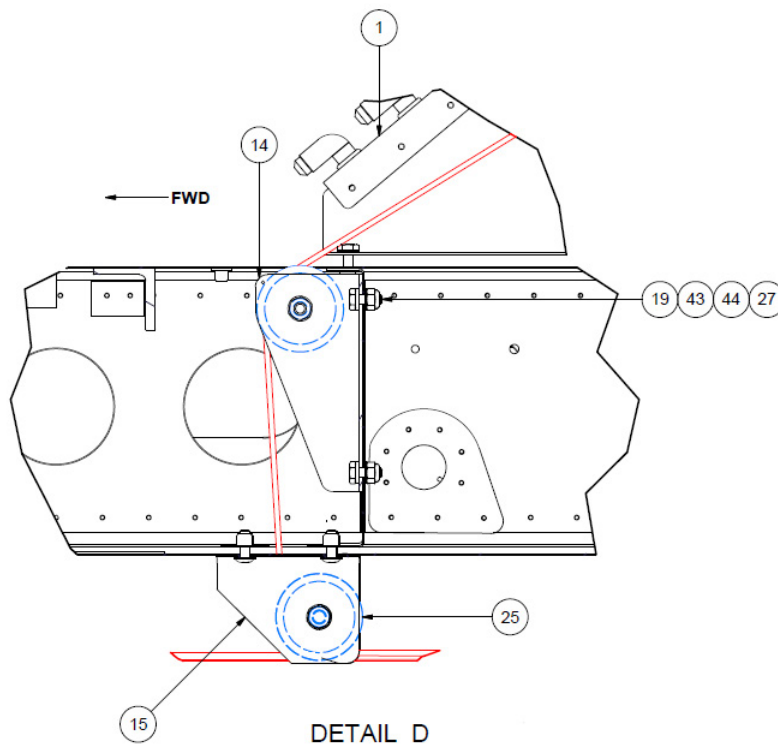
STEERING & RETRACT CABLES



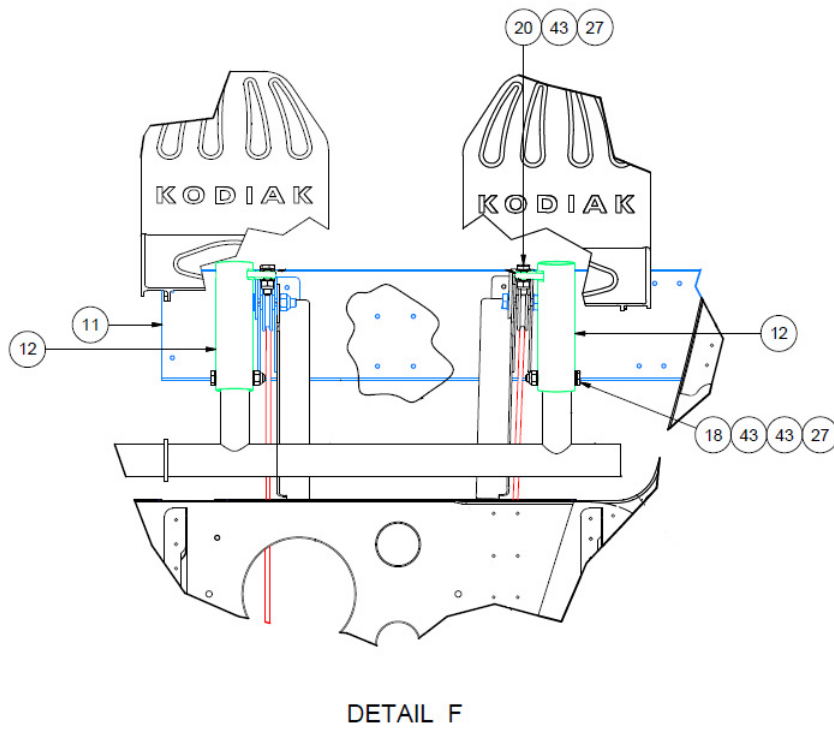
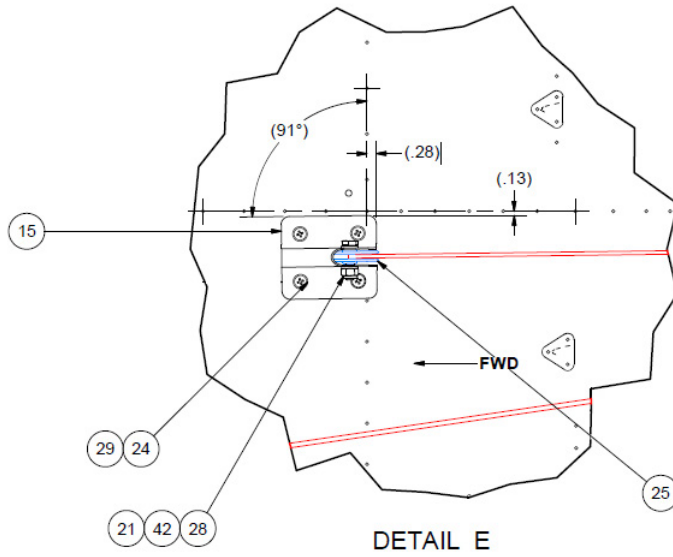


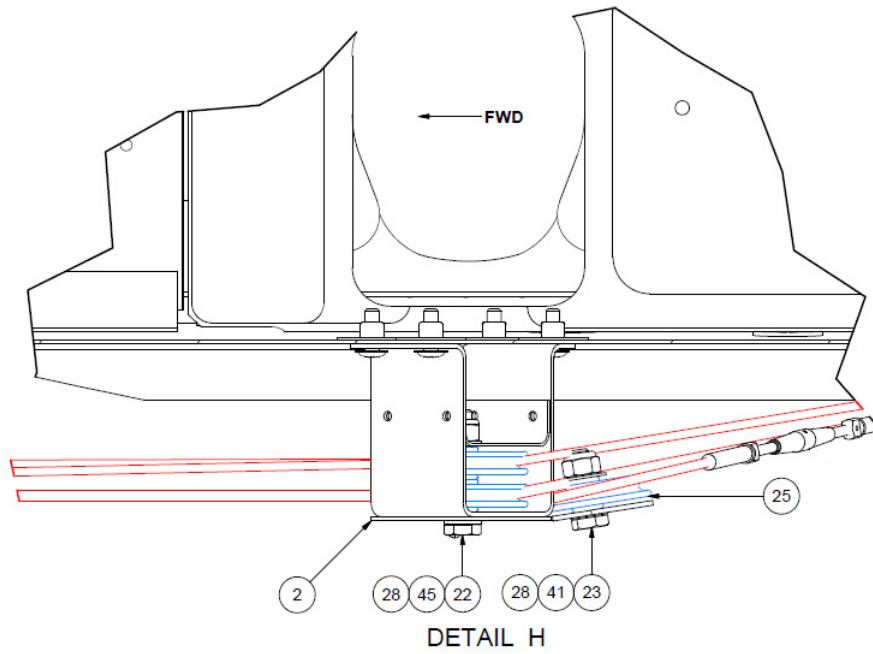
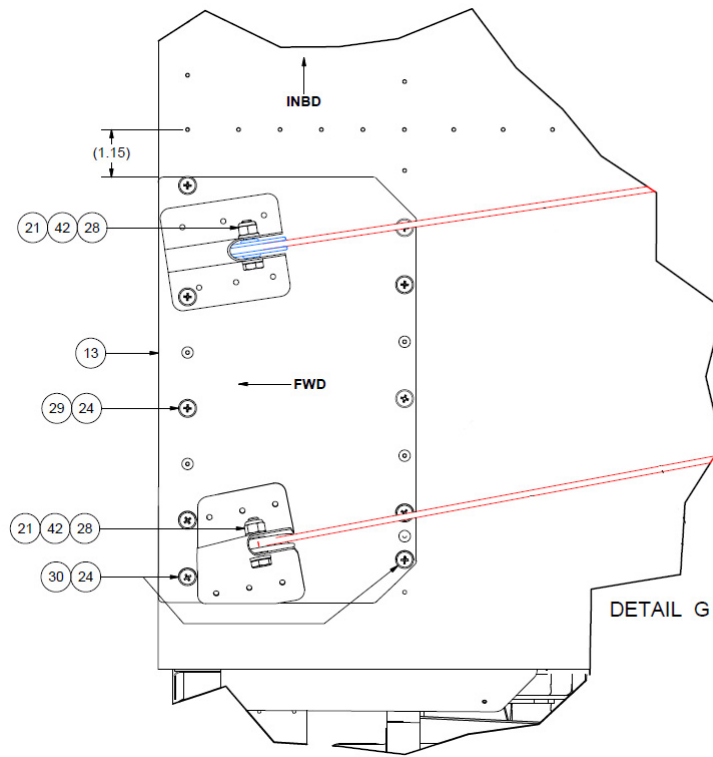


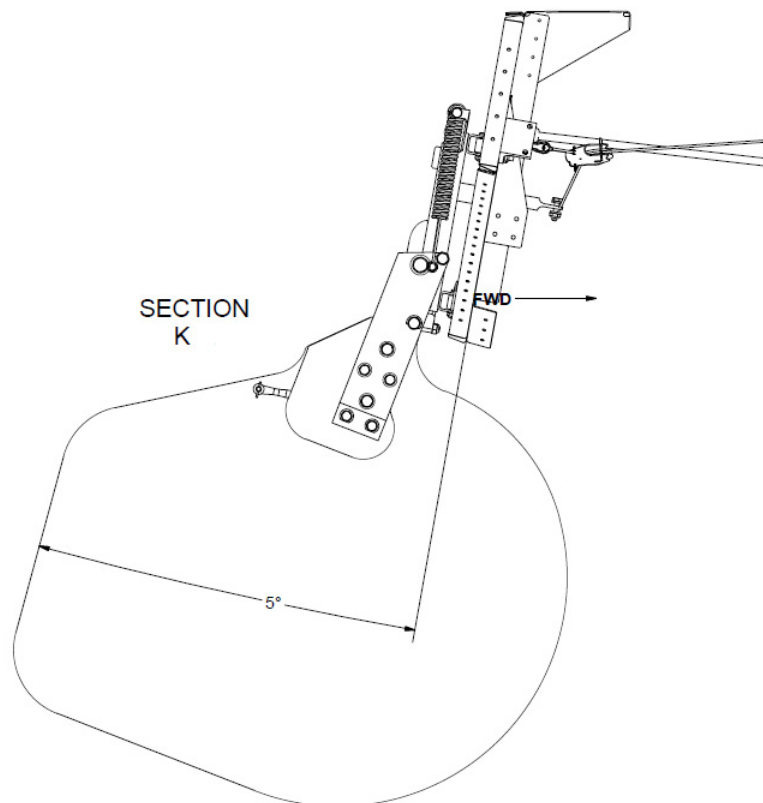
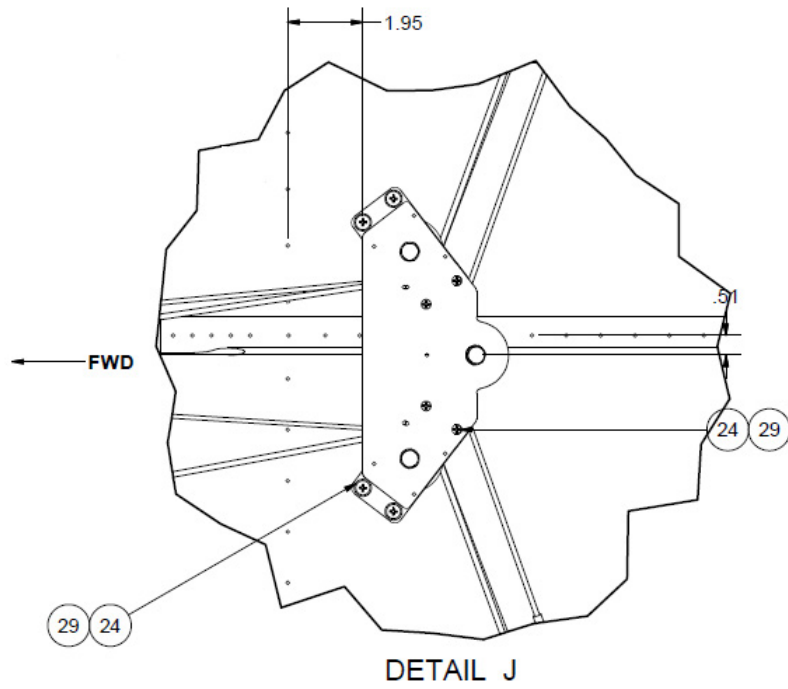
SECTION C

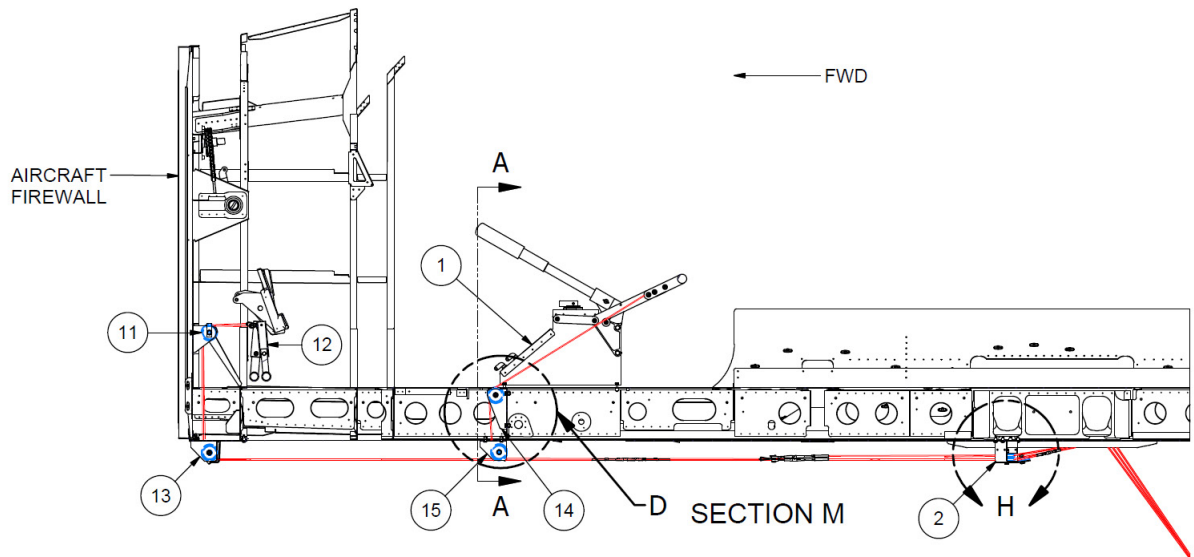
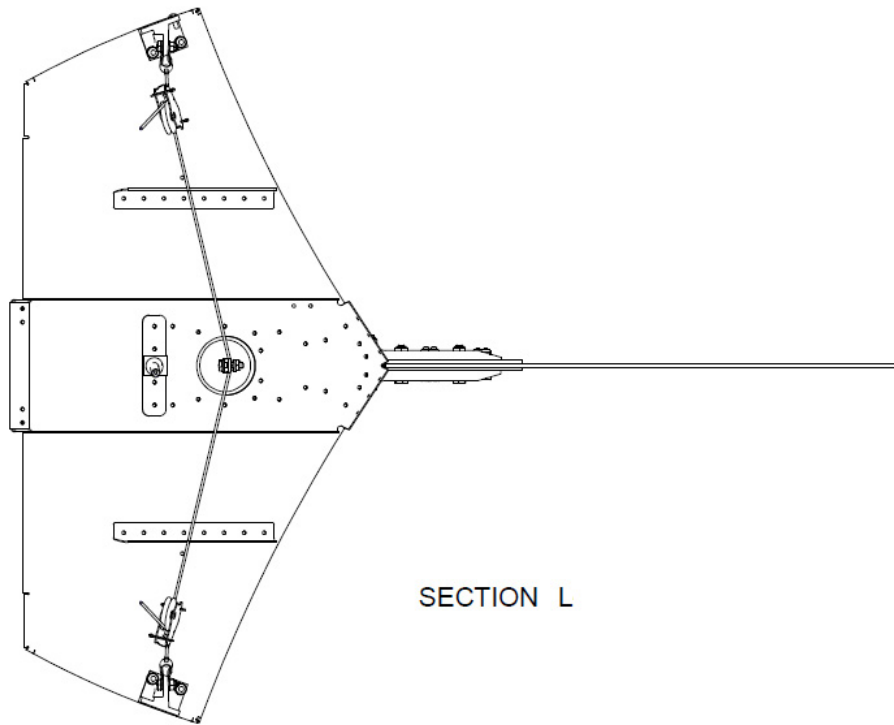


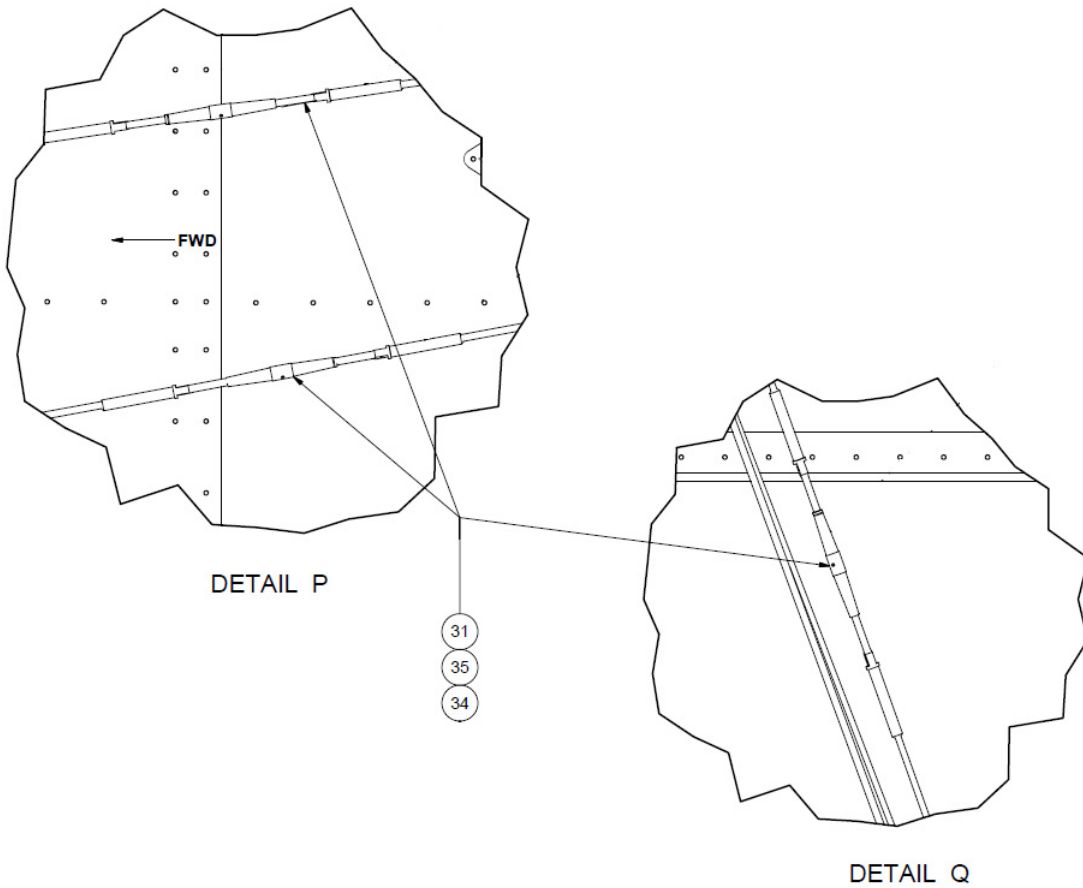
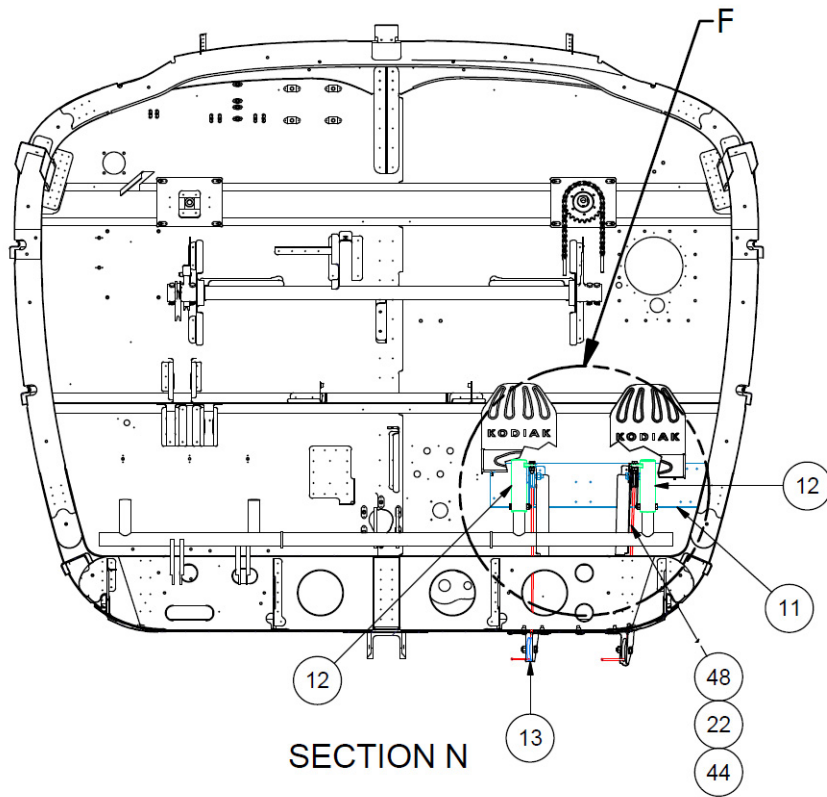
DETAIL D

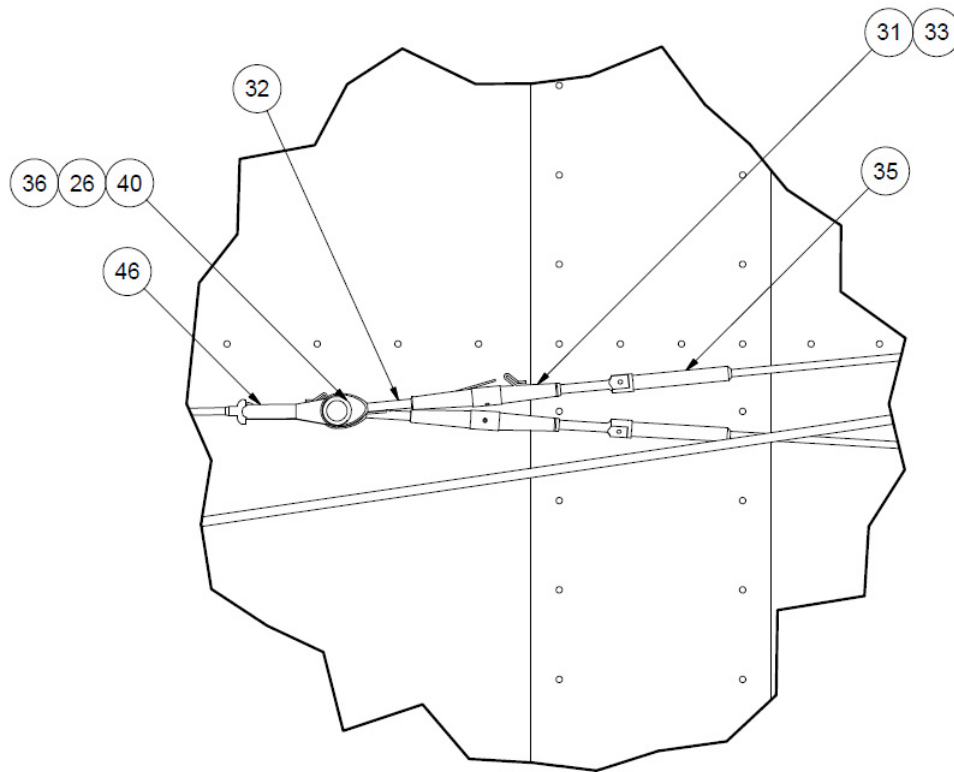












DETAIL T

ITEM	QTY	PART NO.	PART DESCRIPTION
1	1	1004067	ASSY, HAND PUMP, KODIAK
2	1	1004190	ASSEMBLY, PULLEY BRACKET, KODIAK
3	1	1004468-01	CABLE, BALANCE, LH
4	1	1004468-02	CABLE, BALANCE, RH
5	1	1004468-03	CABLE, STEERING, LONG
6	1	1004468-04	CABLE, RETRACT
7	1	1004468-05	CABLE, STEERING, SHORT
8	1	1004468-06	CABLE, RETRACT, FWD
9	1	1004468-07	CABLE, STEERING, FWD, LH
10	1	1004468-08	CABLE, STEERING, FWD, RH
11	1	1004556	ASSEMBLY, PULLEY BRACKET, FIREWALL, KODIAK
12	2	1004563	ASSEMBLY, ATTACHMENT, CABLE, WATER RUDDER
13	1	1004674	ASSEMBLY, PULLEY BRACKET, RUDDER STEERING, BELLY
14	1	1004676	ASSEMBLY, PULLEY BRACKET, RETRACT, FUSELAGE
15	1	3A08151-046	BRACKET, PULLEY, WATER RUDDER RETRACT
16	2	A3135-8	CSK WASHER

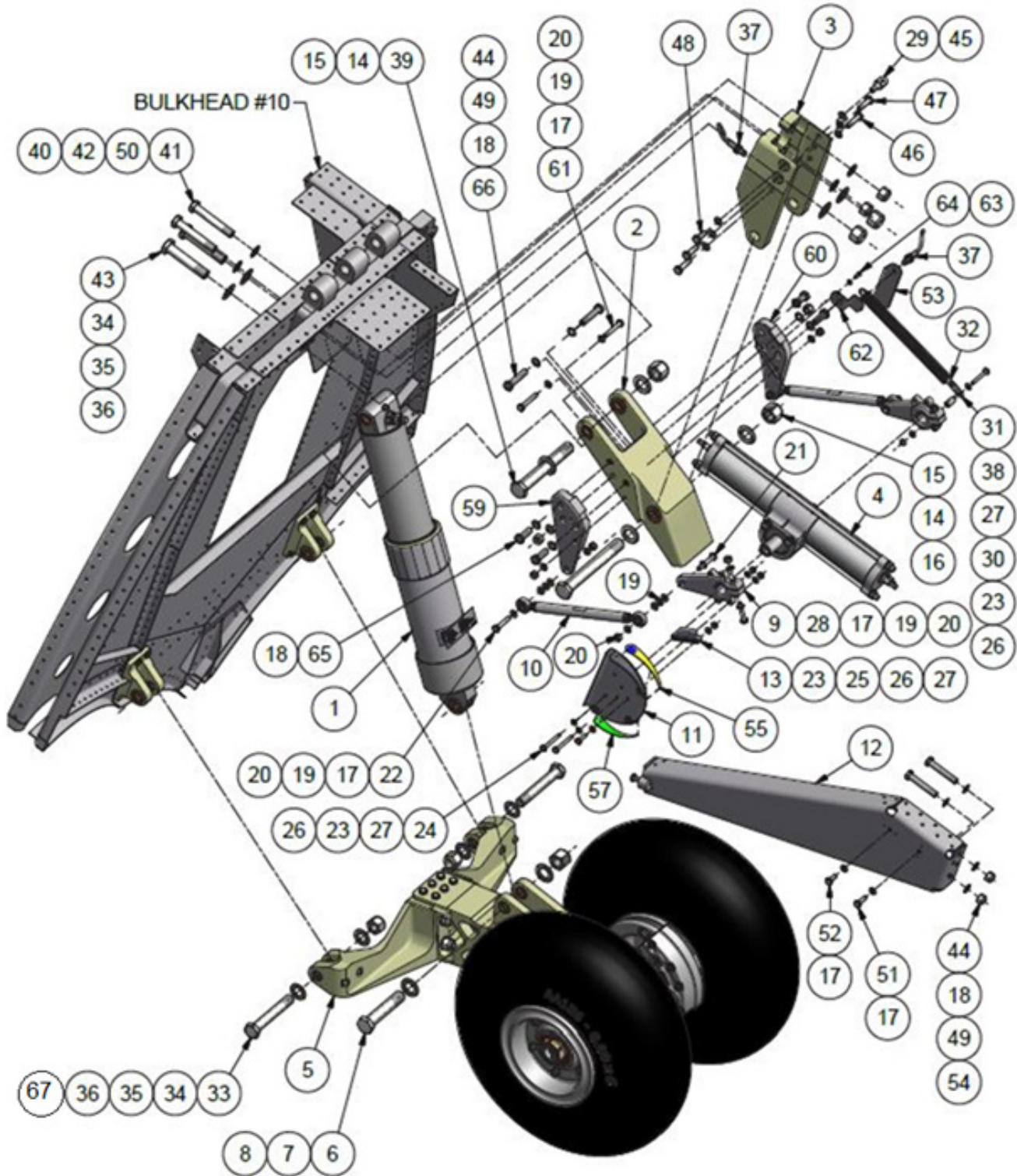
ITEM	QTY	PART NO.	PART DESCRIPTION
17	1	AN100-3	THIMBLE
18	3	AN3-14A	BOLT
19	4	AN3-4A	BOLT
20	6	AN3-6A	BOLT
21	6	AN4-10A	BOLT
22	2	AN4-14A	BOLT
23	1	AN4-7A	BOLT
24	22	AN525-10R9	SCREW, WASHER HEAD
25	27	MS20219-2	PULLEY
26	1	MS20392-2C19	CLEVIS PIN
27	8	MS21044N3	NUT
28	6	MS21044N4	NUT
29	22	MS21047L3	NUT PLATE, SELF LOCKING
30	4	MS21071L3	NUT PLATE
31	5	MS21251B3S	BARREL-TURNBUCKLE, LOCKING CLIP
32	2	MS21254-3LS	EYE END
33	2	MS21256-1	LOCKING CLIP-TURNBUCKLE, NOM LGTH 1.12
34	3	MS21260S3 LH	TERMINAL-WIRE ROPE, STUD
35	5	MS21260S3 RH	TERMINAL-WIRE ROPE, STUD
36	1	MS24665-132	COTTER PIN
37	2	MS24694S9	SCREW
38	2	MS27130A7	RIVNUT
39	1	MS51844-43	SLEEVE
40	2	NAS1149D0316J	WASHER
41	2	NAS1149D0416J	WASHER
42	6	NAS1149D0463J	WASHER
43	16	NAS1149F0332P	WASHER
44	5	NAS1149F0363P	WASHER
45	4	NAS1149F0432P	WASHER
46	1	NAS1435E3	STRAP EYE
47	2	NAS1435K3	SHACKLE
48	1	NAS43DD3-64FC	SPACER

SECTION 9 LANDING GEAR

CONTENTS

MAIN GEAR ASSEMBLY	122
MAIN GEAR AXLE ASSEMBLY	125
MAIN GEAR AXLE ASSEMBLY	127
DOWN STOP ASSEMBLY MAIN GEAR LEFT	130
DOWN STOP ASSEMBLY MAIN GEAR RIGHT.....	131
OLEO SHOCK STRUT ASSEMBLY	132
ROTARY ACTUATOR MAIN GEAR ASSEMBLY.....	134
NOSE GEAR ACTUATOR ASSEMBLY	136
NOSE WHEEL ASSEMBLY LOWER END	139
NOSE WHEEL ASSEMBLY WITHOUT TIRE	141

MAIN GEAR ASSEMBLY

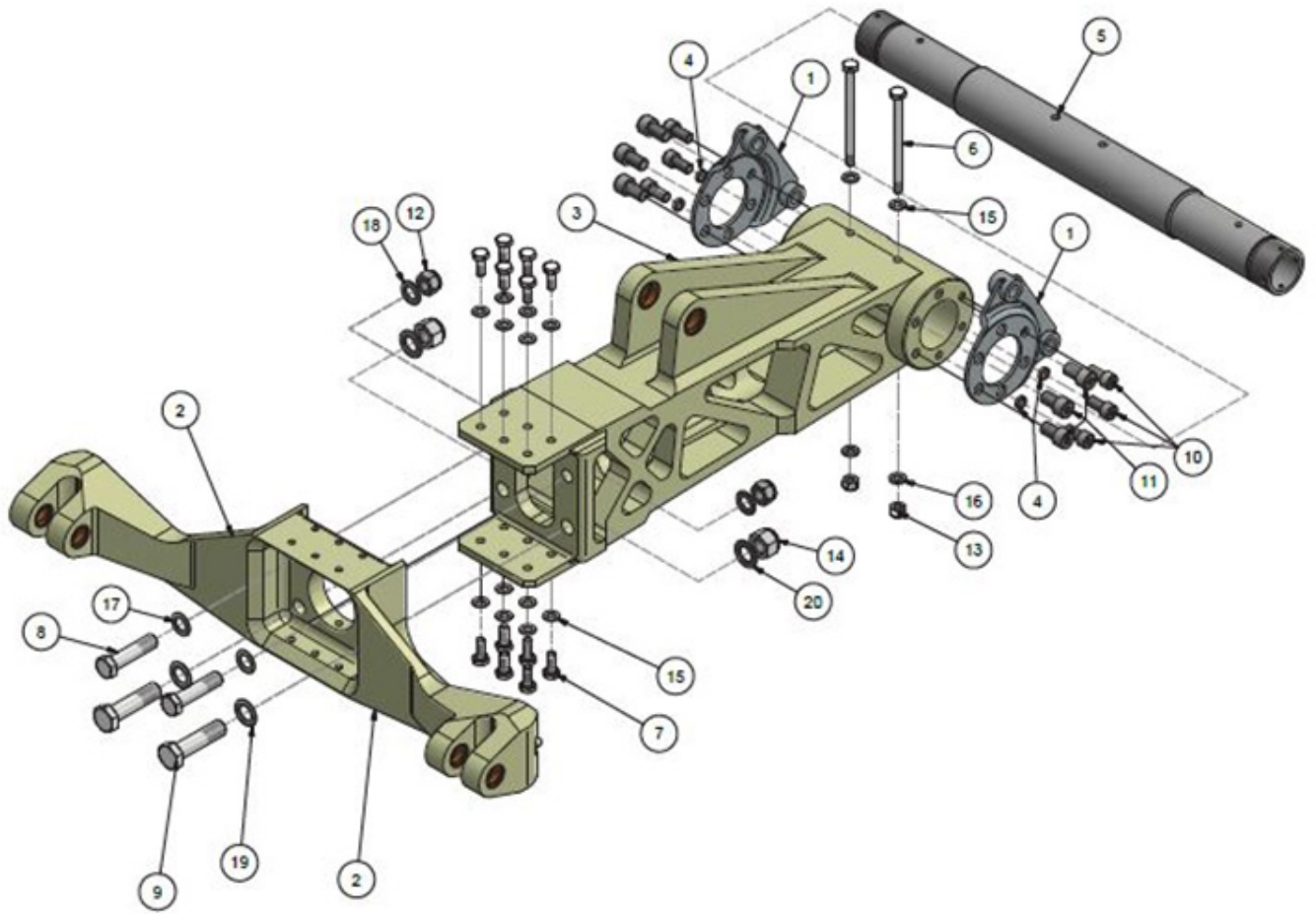


PARTS MANUAL
WIPLINE 7000 FLOATS

ITEM	QTY	PART NO.	PART DESCRIPTION
1	1	1004350	ASSEMBLY, OLEO, SHOCK STRUT
2	1	1002600	ASSEMBLY, TOP ARM, MAIN GEAR
3	1	1002597	MOUNT, TOP, MAIN GEAR, 7000
4	1	1003510	ASSEMBLY, ROTARY ACTUATOR, MAIN GR, KODIAK
5	1	1004396	MAIN GEAR ASSEMBLY, WITH WHEELS
6	1	AN12-35A	BOLT
7	2	NAS1149F1290P	WASHER
8	1	MS21044N12	NUT
9	2	1004016	ROTATION ARM, ACTUATOR, MAIN GEAR
10	2	1004015	ASSEMBLY, LINKAGE ROD, MAIN GEAR
11	1	1004379	ASSEMBLY, GEAR INDICATOR, LEFT FLOAT
-	1	1004380	ASSEMBLY, GEAR INIDCATOR, RIGHT FLOAT
12	1	1004457	ASSEMBLY, DOWN STOP, LH, MAIN GEAR
13	1	1004127	SPACER, GEAR INDICATOR
14	4	NAS1149F1290P	WASHER
15	2	MS21044N12	NUT
16	1	AN12-60A	BOLT
17	10	NAS1149F0432P	WASHER
18	8	NAS1149F0632P	WASHER
19	10	NAS1149F0463P	WASHER
20	8	MS21044N4	NUT
21	2	AN4-14A	BOLT
22	2	AN4-13A	BOLT
23	3	NAS1149F0363P	WASHER
24	2	AN3-16A	BOLT
25	1	AN3-6A	BOLT
26	4	MS21083N3	NUT
27	3	NAS1149F0332P	WASHER
28	2	AN4-12A	BOLT
29	1	AN44-C5A	EYE BOLT
30	1	1004384	SPACER, MAIN GEAR SPRING
31	1	1004385	LINK, MAIN GEAR SPRING
33	2	AN10-40	BOLT
34	4	NAS1149F1032P	WASHER
35	4	NAS1149F1063P	WASHER
36	4	AN310-10	NUT
37	2	1004475	PROXIMITY SWITCH, KODIAK
38	1	AN3-14A	BOLT
39	1	AN12-53A	BOLT
40	2	MS21044N8	NUT
41	2	AN8-30A	BOLT

ITEM	QTY	PART NO.	PART DESCRIPTION
42	2	NAS1149F0863P	WASHER
43	2	AN10-30A	BOLT
44	4	MS21044N6	NUT
45	6	NAS1149F0532P	WASHER
46	2	AN5-11A	BOLT
47	2	AN5-10A	BOLT
48	1	AN5-6A	BOLT
49	3	NAS1149F0663P	WASHER
50	2	NAS1149F0832P	WASHER
51	1	AN4-6A	BOLT
52	1	AN4-5A	BOLT
53	1	1004387	MOUNT, PROXIMITY SENSOR, LH
54	2	AN6-21A	BOLT
55	1	1004581	PLACARD, UP GEAR INICATOR, LH
56	1	1004580	PLACARD, UP GEAR INDICATOR, RH
57	1	1004579	PLACARD, DOWN GEAR INDICATOR, RH
58	1	1004578	PLACARD, DOWN GEAR INDICATOR, LH
59	1	1004928	BRACKET, ARM, TOP, MAIN GEAR, RIGHT
60	1	1004927	BRACKET, ARM, TOP, MAIN GEAR, LEFT
61	2	AN4-15A	BOLT
62	1	1004929	FLAG, PROXIMITY SENSOR, LEFT
63	1	MS35333-38	STAR WASHER
64	1	MS16997-31	SCREW, CAP, SOCKET HEAD
65	4	AN6H10A	BOLT
66	2	AN6-16A	BOLT
67	2	MS24665-285	COTTER PIN (NOT SHOWN)

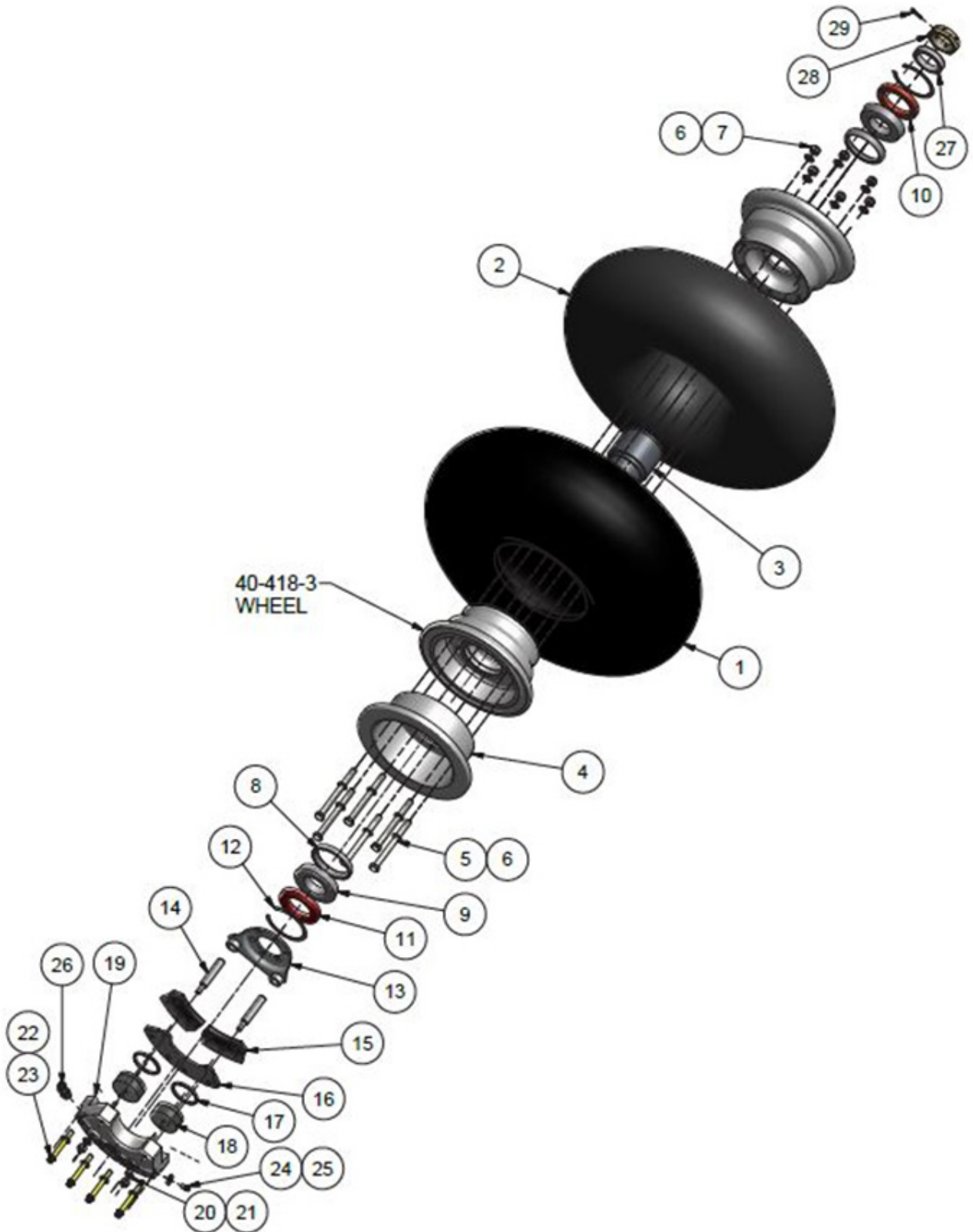
MAIN GEAR AXLE ASSEMBLY



ITEM	QTY	PART NO.	PART DESCRIPTION
1	2	075-20700	TORQUE PLATE
2	1	1002595	ASSEMBLY, PIVOT LINK, MAIN GEAR
3	1	1004471	ASSEMBLY, DRAG LINK, MAIN GEAR
4	4	30A04523-002	BUSHING, TORQUE PLATE
5	1	6A04510-001	AXLE, MAIN WHEEL
6	2	AN4-34A	BOLT
7	12	AN4-5A	BOLT
8	2	AN7-16A	BOLT
9	2	AN8-17A	BOLT
10	6	MS16997-77	SOCKET HEAD CAP SCREW
11	6	MS16997-96	SOCKET HEAD CAP SCREW
12	2	MS20365-720A	NUT, SELF LOCKING
13	2	MS21044N4	NUT
14	2	MS21044N8	NUT

ITEM	QTY	PART NO.	PART DESCRIPTION
15	14	NAS1149F0432P	WASHER
16	2	NAS1149F0463P	WASHER
17	2	NAS1149F0732P	WASHER
18	2	NAS1149F0763P	WASHER
19	2	NAS1149F0832P	WASHER
20	2	NAS1149F0863P	WASHER

MAIN GEAR AXLE ASSEMBLY



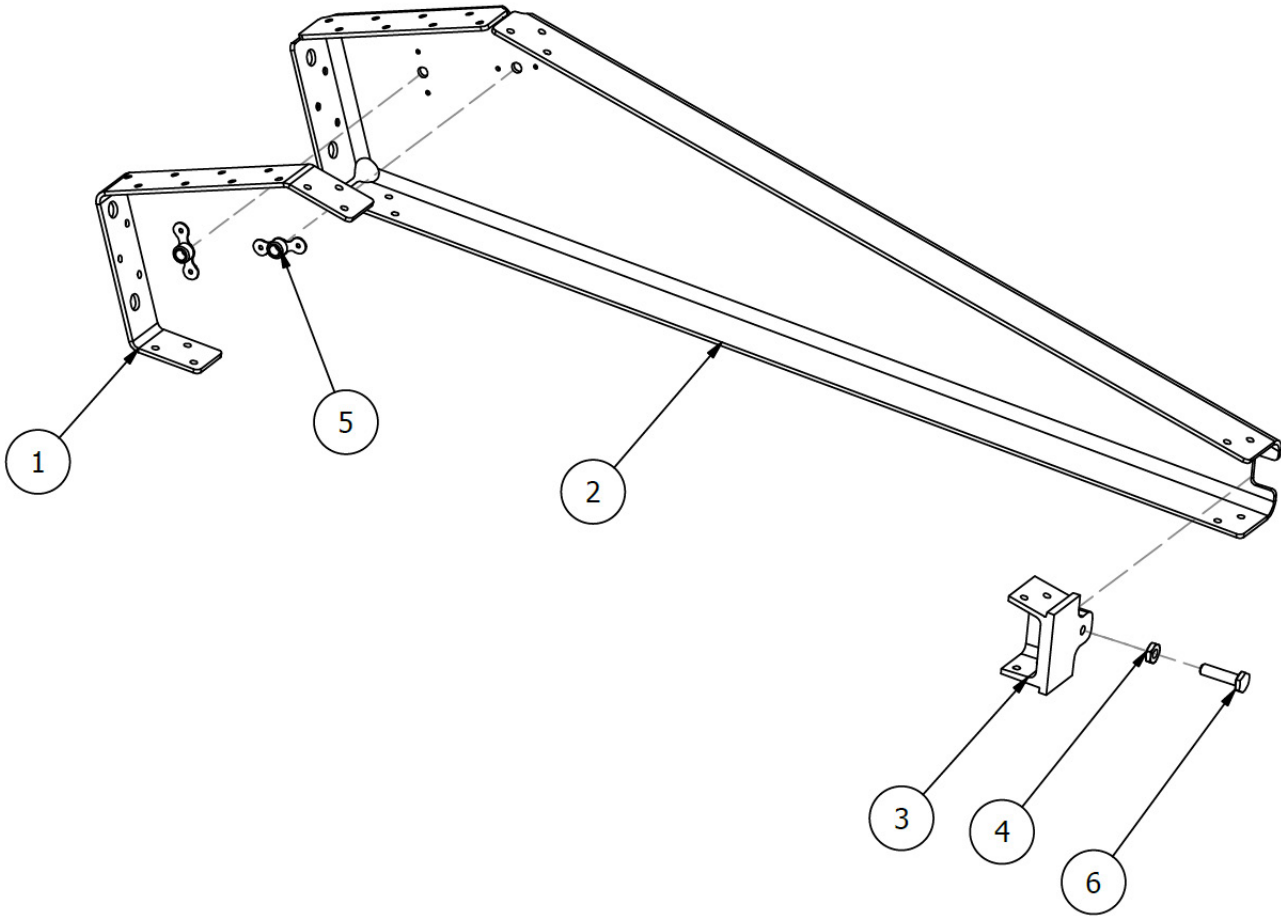
ITEM	QTY	PART NO.	PART DESCRIPTION
-	1	8A04000-031	MAIN WHEEL ASSEMBLY
-	1	40-418-3	WHEEL ASS'Y. (NAMEPLATE READS "40-418B", INCLUDES ITEMS 3-12)
	1	40-418 (ALT)	WHEEL ASS'Y. (ALTERNATE, INCLUDES ITEMS 3-12)
1	1	AA1E6*	TIRE, 6.00 X 6-8
2	1	XA1AD*	TUBE, 6.00 X 6
3	1	067-14700	GREASE RTNR
4	1	164-24501	DISC, BRAKE, CHROME (ORIG EQUIP FOR 40-418-3)
	1	164-24500	DISC, BRAKE, NON-CHROME (ORIG EQUIP FOR 40-418)
5	6	AN5-35A	BOLT
6	12	NAS1149D0563J	WASHER
7	6	MS21044N5	NUT
8	2	13836	BEARING CUP, NON-CHROME (ORIG EQUIP FOR 40-418-3)
	2	13836CP	BEARING CUP, CHROME (ORIG EQUIP FOR 40-418)
9	2	13889	BEARING CONE, NON-CHROME (ORIG EQUIP FOR 40-418-3)
	2	13889CP	BEARING CONE, CHROME (ORIG EQUIP FOR 40-418)
10	1	472439	SEAL, OUTBOARD, W/#50 HOLE
11	1	473232	SEAL, INBOARD
12	2	155-14300	SNAP RING
-	1	6A04000-104	BRAKE ASSEMBLY, RH
-	1	6A04000-105	BRAKE ASSEMBLY, LH
-	1	30-241	BRAKE ASSEMBLY COMPLETE
13	1	075-20700	TORQUE PLATE
14	2	069-03100	ANCHOR BOLT
15	2	074-02900	BACK PLATE ASSEMBLY
-	1	066-10500	BRAKE LINING
-	2	105-00200	RIVET, BRAKE PAD
16	1	073-04200	PRESSURE PLATE ASSEMBLY
-	2	066-10500	BRAKE LINING
-	4	105-00200	RIVET, BRAKE PAD
17	2	MS28775-222	O-RING
18	2	062-10700	BRAKE PISTON
19	1	091-21600	CYLINDER
20	2	NAS1149F0463P	WASHER
21	2	MS21044N4	NUT
22	4	MS20002C4	WASHER, COUNTER SUNK
23	4	MS21250H04026	BOLT, EXTERNAL WRENCHING. 10-32 UNF 3A
24	1	079-00300	SCREW BLEEDER
25	1	081-00200	SEAT BLEEDER
26	1	104-04700	FITTING
-	1	MS28775-011	O-RING

PARTS MANUAL
WIPLINE 7000 FLOATS

ITEM	QTY	PART NO.	PART DESCRIPTION
27	1	6A04093-002	AXLE SPACER, MAIN WHEEL
28	1	MS21025-24	NUT, AXLE
29	1	MS24665-349	COTTER PIN

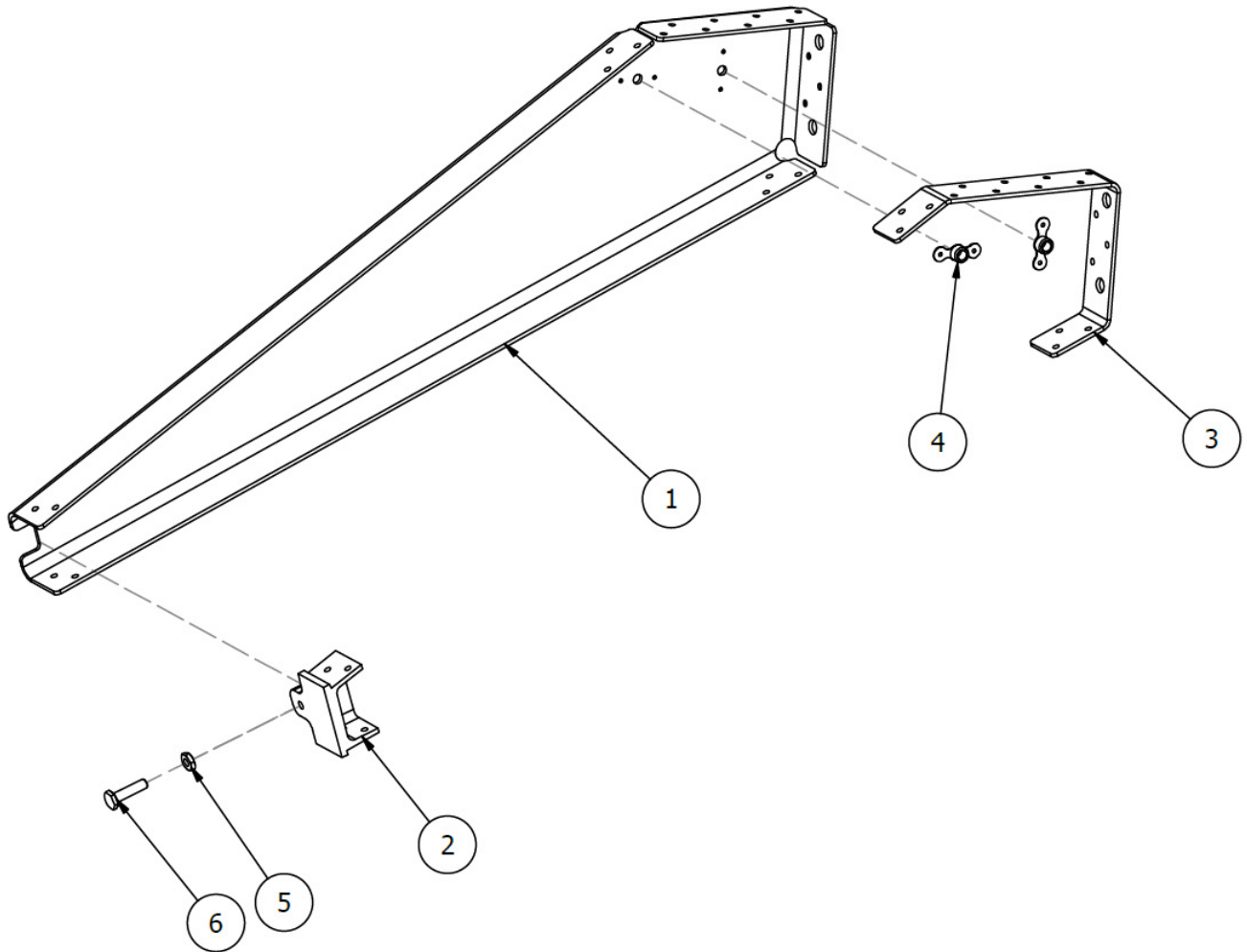
* Any alternate tire (tube type) which is TSO-approved, matches the listed tire's dimensions, and meets its speed/load/ply ratings may be used. Equivalent tubes may also be used.

DOWN STOP ASSEMBLY MAIN GEAR LEFT



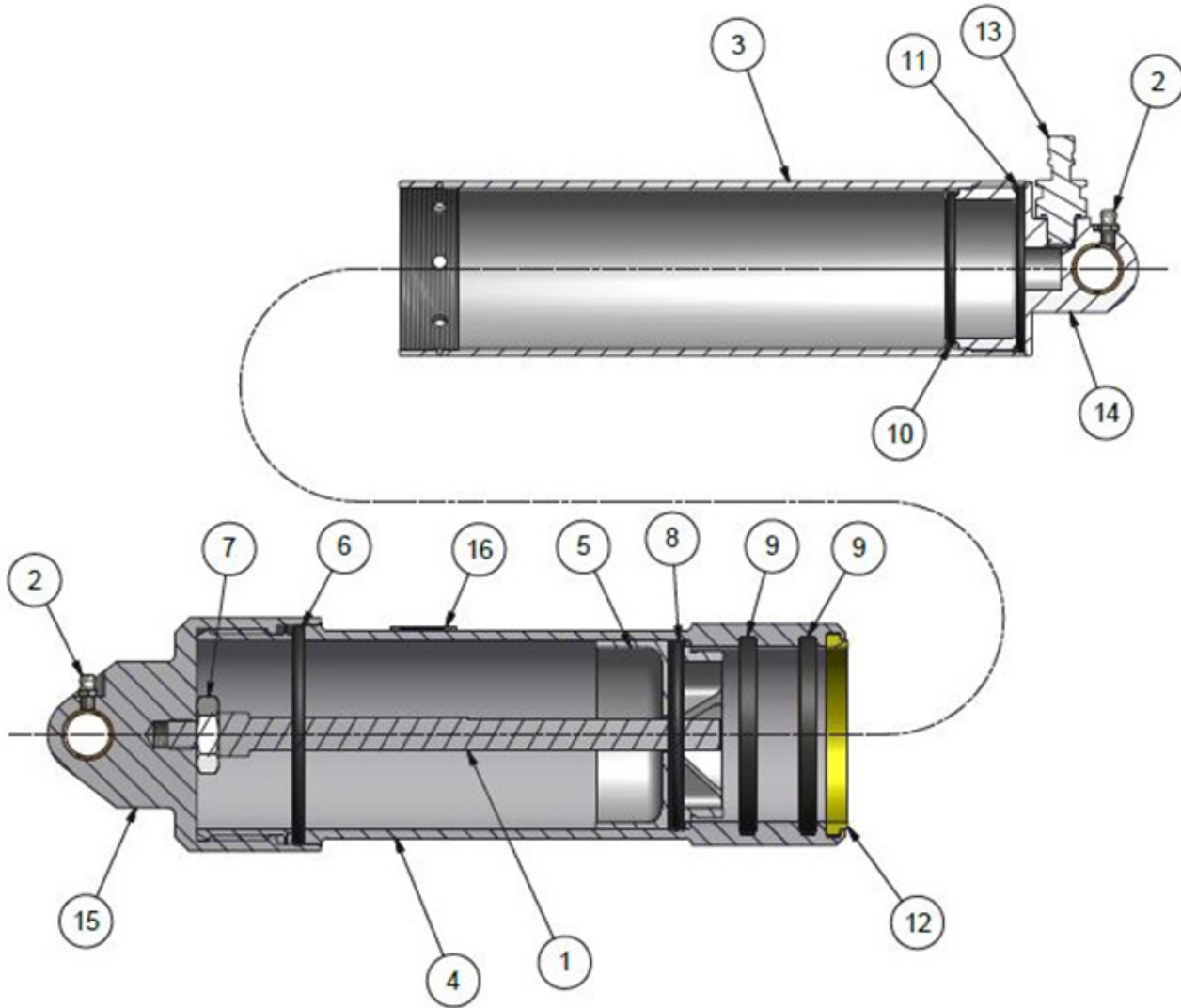
ITEM	QTY	PART NO.	PART DESCRIPTION
-	1	1004457	ASS'Y, DOWN STOP, LH, MAIN GEAR
1	1	1004451	REINFORCEMENT, LH, DOWN STOP, MAIN GEAR
2	1	1004453	DOWN STOP, LH, MAIN GEAR
3	1	1004455	ADJUSTMENT, LH, DOWN STOP, MAIN GEAR
4	1	AN316-4R	NUT
5	2	MS21047L4	NUT PLATE, SELF LOCKING
6	1	NAS428-4-10	ADJUSTING BOLT

DOWN STOP ASSEMBLY MAIN GEAR RIGHT



ITEM	QTY	PART NO.	PART DESCRIPTION
-	1	1004458	ASS'Y, DOWN STOP, RH, MAIN GEAR
1	1	1004454	DOWN STOP, RH, MAIN GEAR
2	1	1004456	ADJUSTMENT, RH, DOWN STOP, MAIN GEAR
3	1	1004452	REINFORCEMENT, RH, DOWN STOP, MAIN GEAR
4	2	MS21047L4	NUT PLATE, SELF LOCKING
5	1	AN316-4R	NUT
6	1	NAS428-4-10	ADJUSTING BOLT

OLEO SHOCK STRUT ASSEMBLY



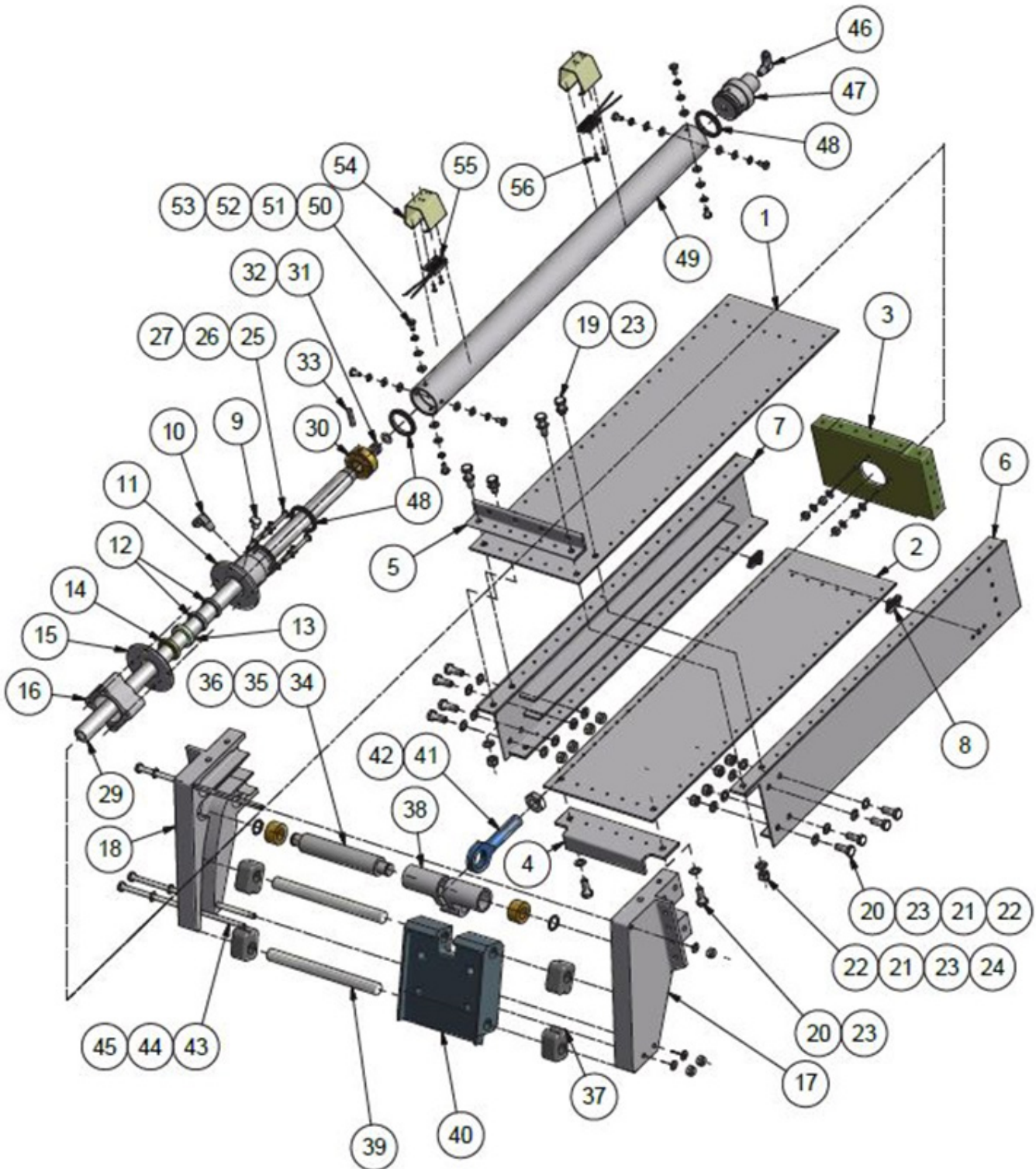
PARTS MANUAL
WIPLINE 7000 FLOATS

ITEM	QTY	PART NO.	PART DESCRIPTION
1	1	1002568	METERING PIN, 7000 OLEO
2	2	1095K41	COMMON GREASEZERK
3	1	1002564	CYLINDER, OLEO, INNER, MAIN GEAR
4	1	1002567	CYLINDER, OUTER, OLEO, MAIN GEAR
5	1	1002569	PISTON, OLEO CYLINDER, MAIN GEAR
6	1	MS28775-340	"O" RING
7	1	AN316-12R	NUT
8	1	1002028	PISTON, T-SEAL
9	2	1001929	ROD, T-SEAL
10	1	MS28775-229	"O" RING
11	1	MS28775-231	"O" RING
12	1	8881910	WIPER (HALLITE INC)
13	1	MS28889-2	VALVE
14	1	1004353	ASSEMBLY, END, TOP, OLEO
15	1	1004352	ASSEMBLY, END, BOTTOM, OLEO
16	1	1004637	PLACARD, HYDRAULIC CYLINDER

PARTS MANUAL
WIPLINE 7000 FLOATS

ITEM	QTY	PART NO.	PART DESCRIPTION
-	1	1003510	ASSY, ROTARY ACTUATOR, MAIN GEAR
1	1	1003501	HOUSING, ROTARY ACT, MAIN GR, KODIAK
2	1	1003502	WEAR STRIP, ROTARY ACTR, MAIN GR, KODIAK
3	1	1003505	RACK, MOD, ROTARY ACTR, MAIN GR, KODIAK
4	2	1003506	PISTON, ROTARY ACTUATOR, MAIN GEAR
5	2	1003507	CYLINDER, ROTARY ACTR, MAIN GR, KODIAK
6	4	1003509	TIE ROD, ROTARY ACTR, MAIN GR, KODIAK
7	1	1003511	ROD, LG, ROTARY ACTR, MAIN GR, KODIAK
8	2	1004297	ADJUSTMENT BOLT, 3/8-24 UNF X 2.25 LG , 18-8 SST
9	1	1004362	SPUR GEAR, PDIA 1.75, BORE .875, STL
10	1	1008020	SHAFT, ROTARY ACTUATOR, MAIN GEAR
11	2	1008030	CYLINDER CAP, ROTARY ACTUATOR
12	2	1008433	BUSHING, ROTARY ACTUATOR, MAIN GEAR
13	2	750-0002-3/8	WASHER, THREDSEAL, 3/8 ID, STEEL
14	4	90121A999	BOLT, .312-18 UNC X .625 LG ,W/HOLE IN HEAD, SST
15	6	90715A135	NUT, HEX, NYLON LOC, 5/16-18UNC, 316 SST
16	2	91580A246	SNAP RING, INTERN, 2.000 DIA, GRV WD .068, SST
17	4	92313A413	SET SCREW, 1/4-28 UNF X .50 LG 316 SS
18	2	9464K133	SEAL, O RING, 1.799 ID, 2.005 OD, BLK, VITON, 75 DURO
19	2	95235A543	SET SCREW, 5/16-18 UNC X .62 LG, DOG PNT, STL, BLK OXIDE
20	2	9560K529	BACKUP RING, 2.006 OD, 1.834 ID, .050 THK, EXTR HARD
21	2	98870A570	KEY, 3/16 X 3/16 X .75 LG, 1018 STL, OVERSIZED, ROUNDED ENDS
22	1	98870A575	KEY, 3/16 X 3/16 X 1.50 LG, 1018 STL, .002 OVER SIZED
23	2	AN316C6R	NUT
24	2	MS20822-4D	ELBOW
25	2	MS28775-032	"O" RING, HYDRAULIC
26	2	MS28775-118	"O" RING, HYDRAULIC
27	2	MS28775-136	"O" RING, HYDRAULIC
28	6	MS28775-326	"O" RING, HYDRAULIC
29	4	NAS1149C0532R	WASHER, 0.328 ID, 0.032 THK, STAINLESS STEEL
30	6	NAS1149C0563R	WASHER, 0.328 ID, 0.063 THK, STAINLESS STEEL
31	2	NAS1149C0663R	WASHER, 0.39 ID, 0.063 THK, STAINLESS STEEL

NOSE GEAR ACTUATOR ASSEMBLY

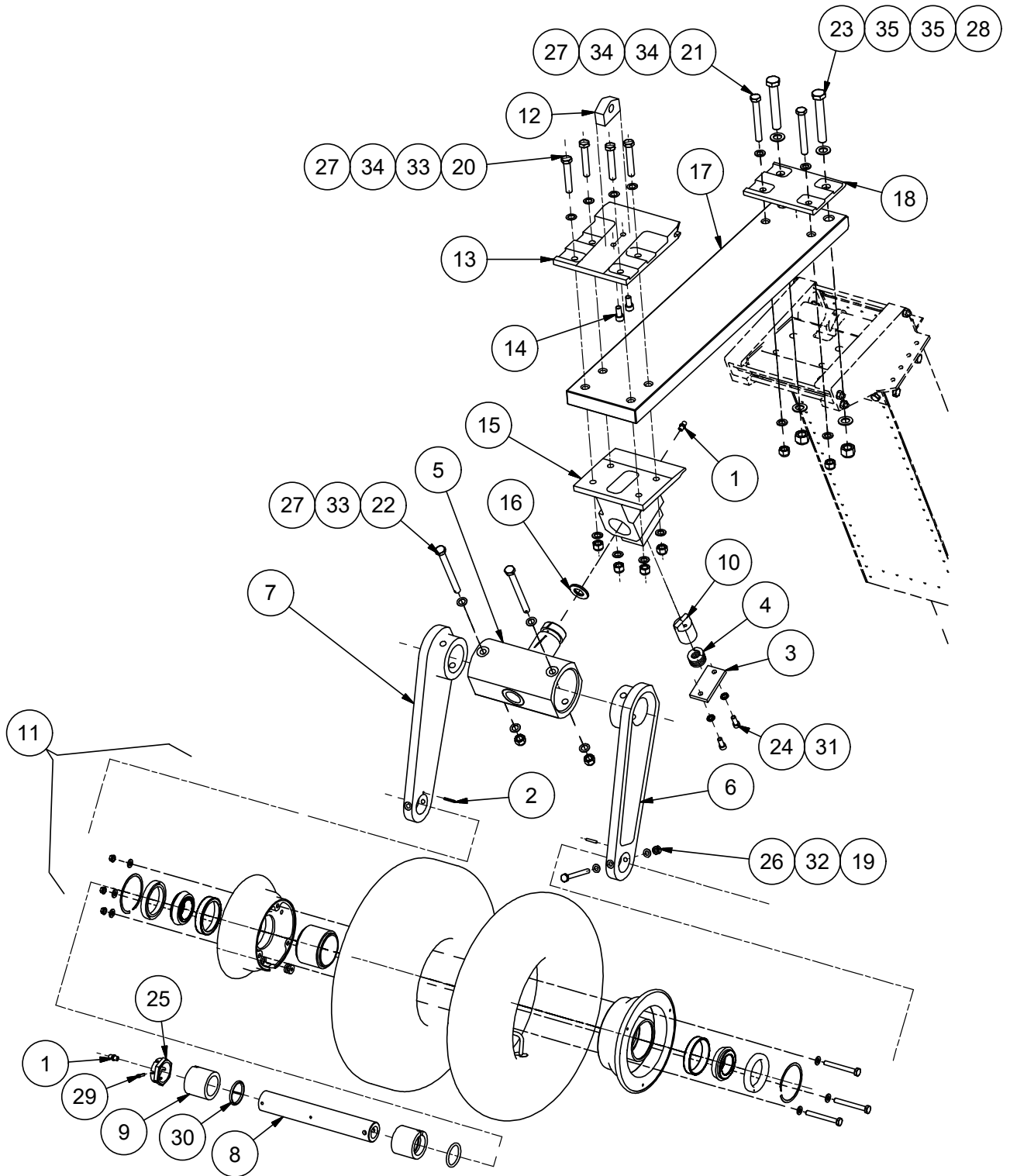


PARTS MANUAL
WIPLINE 7000 FLOATS

ITEM	QTY	PART NO.	PART DESCRIPTION
1	1	8A07156-037	SKIN- NOSE BOX, TOP, 8000 FLOATS
2	1	8A07156-038	SKIN-NOSE BOX, BOTTOM, 8000 FLOATS
3	1	8A07201-002	END, CAP, NOSE BOX
4	1	8A07357-038	ANGLE, NOSE BOX, BOTTOM
5	1	8A07427-004	ANGLE, NOSE BOX, TOP
6	1	1004333	SIDE TRACK, NOSE GEAR, LH
7	1	1004334	SIDE TRACK, NOSE GEAR, RH
8	2	MS21059L5	NUT PLATE
9	1	1205K12	OILER
10	1	MS20822-4D	ELBOW
11	1	1002013	FLANGE - CYLINDER NOSE GEAR RAM
12	2	1002230	ROD, T-SEAL
13	1	6A07580-005	WIPER, NOSE GEAR ACTR, 10000, 13
14	1	8880500U	WIPER
15	1	6A07158-129	PLATE - FLANGE
16	1	6A07264-003	SPACER - FLANGE CYLINDER NOSE GEAR RAM
17	1	1004080	TRACK END, NOSE GEAR, LH
18	1	1004079	TRACK, END, NOSE GEAR, RH
19	2	AN5-5A	BOLT
20	10	AN5-6A	BOLT
21	10	NAS1149D0563J	WASHER
22	10	MS21044N5	NUT
23	12	NAS1149D0516J	WASHER
24	2	AN5-10A	BOLT
25	4	AN3-17A	BOLT
26	8	NAS1149F0332P	WASHER
27	4	MS21044N3	NUT
29	1	6A07482-001	SHAFT - RAM - NOSE GEAR
30	1	6A05545-001	PISTON, RAM, MAIN GEAR
31	1	13A07279-001	PLUG - RAM NOSE GEAR
32	1	AN6227-9	O-RING
33	1	3A05701-001	#24 MAGNET
34	1	8A07505-001	AXLE, LINK, NOSE GEAR
35	2	6A07544-001	ROLLER - TRACK, NOSE GEAR
36	2	5100-62H	SNAP RING
37	4	6A07603-001	BLOCK, SLIDE, TROLLEY, NOSE GEAR
38	1	8A07185-002	LINK - NOSE GEAR RAM
39	2	8A07534-003	AXLE, NOSE GEAR TROLLEY
40	1	8A07188-001	TROLLEY, NOSE GEAR
41	1	8A07257-002	ROD END, NOSE GEAR RAM
42	1	AN316-10R	NUT

ITEM	QTY	PART NO.	PART DESCRIPTION
43	3	AN4-81A	BOLT
44	6	NAS1149D0416J	WASHER
45	3	MS21044N4	NUT
46	1	MS20822-4D	ELBOW
47	1	1002011	END, CAP, HYDRAULIC CYLINDER
48	3	1002229	PISTON, T-SEAL
49	1	1002024	CYLINDER, RAM, NOSE, 6000/8000
50	8	NAS1103-2	BOLT
51	8	NAS1149D0363J	WASHER
52	8	NAS1149D0316J	WASHER
53	8	MS35333-39	STAR WASHER
54	2	3A07005-178	CLIP, SWITCH, NOSE GEAR
55	2	5801	SWITCH, SENSOR
56	4	MS35206-252	SCREW,MACHINE, PAN HEAD

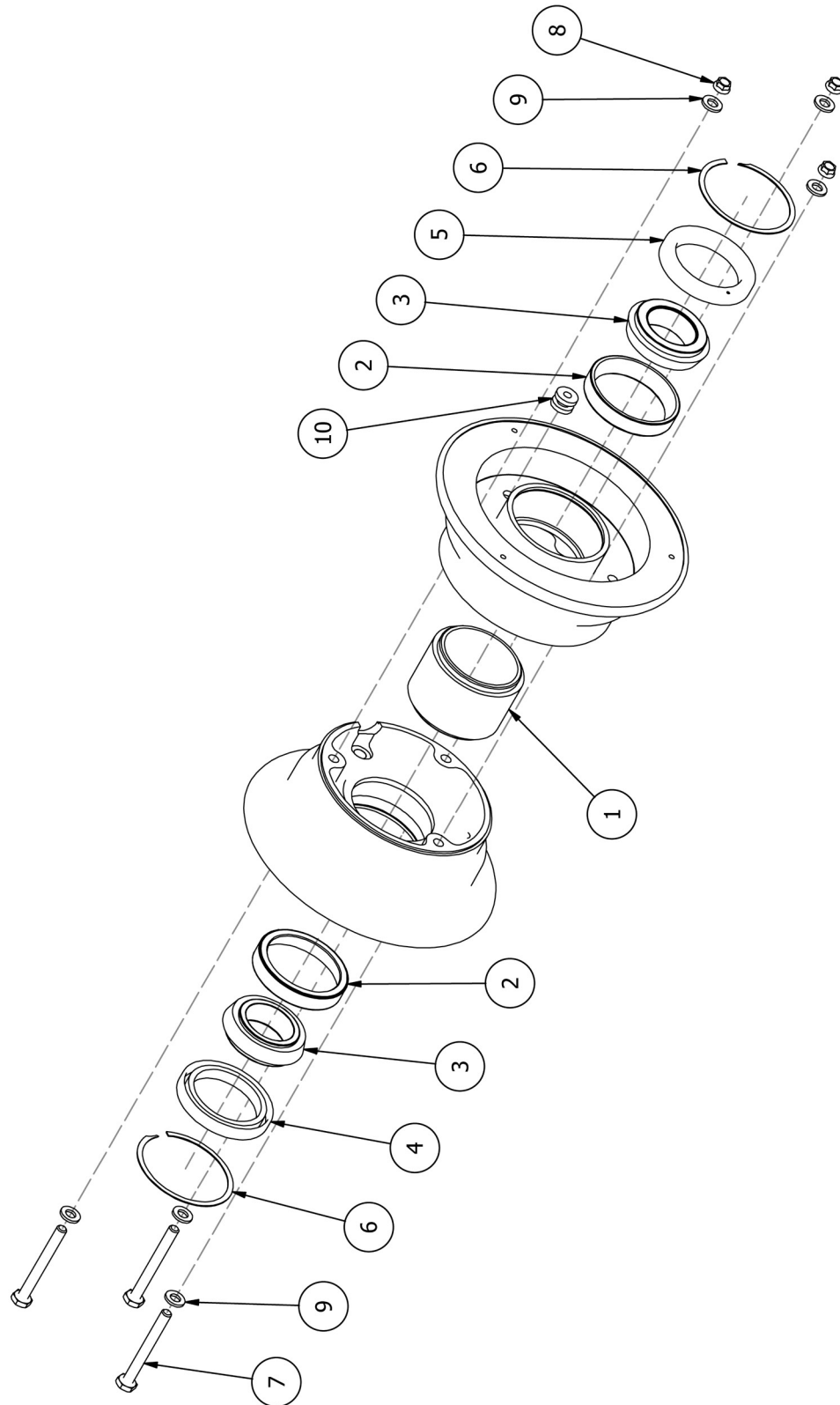
NOSE WHEEL ASSEMBLY LOWER END



ITEM	QTY	PART NO.	PART DESCRIPTION
1	2	1095K41	COMMON GREASEZERK
2	2	215-125-0750	PIN, ROLL, 1/8 X 3/4, SPRING
3	1	3A06037-001	CAP - PIVOT BLOCK
4	1	3A06525-002	SPRING
5	1	8A06000-006	YOKE ASSY
6	1	6A06199-003	LEG, NOSE WHEEL FORK, LEFT
7	1	6A06199-004	LEG, NOSE WHEEL FORK, RIGHT
8	1	6A06265-001	AXLE - NOSE WHEEL
9	2	6A06268-002	SPACER
10	1	6A06512-002	RETAINER, NOSE GEAR PIVOT
11	1	8A06000-008	NOSE WHEEL ASSY WITH TIRE
	1	301-018-420*	TIRE, 5.00X5 10 PLY
	1	XA1AC*	TUBE, 5.00X5
	1	1003233	NOSE WHEEL ASSEMBLY W/O TIRE (SEE FOLLOWING PAGES FOR BREAKDOWNS)
12	1	6A06202-001	BLOCK, ATTACH, TOWING
13	1	8A06210-002	PLATE, BEARING, NOSE SPRING
14	2	MS16997-78	SOCKET HEAD CAP SCREW
15	1	8A06308-001	BLOCK, PIVOT, NOSE GEAR
16	1	8A06600-001	WASHER - THRUST
17	1	8A06626-001	SPRING, NOSE GEAR
18	1	8A07212-001	PLATE - BEARING, NOSE SPRING
19	1	AN4-25A	BOLT, 1/4-28 THREAD, 2-3/16" GRIP, 2-21/32 LENGTH
20	4	AN6-21A	BOLT, AIRFRAME, 3/8-24 THREAD, 1-9/16" GRIP, 2-13/64 LENGTH
21	2	AN6-27A	BOLT, AIRFRAME, 3/8-24 THREAD, 2-5/16" GRIP, 2-61/64 LENGTH
22	2	AN6-37A	BOLT, AIRFRAME, 3/8-24 THREAD, 3-5/16" GRIP, 3-61/64 LENGTH
23	2	AN8-31A	BOLT, AIRFRAME, 1/2-20 THREAD, 2-7/16" GRIP, 3-7/32" LENGTH
24	2	MS16997-60	SOCKET HEAD CAP SCREW
25	1	MS21025-20	NUT, AXLE
26	1	MS21044N4	NUT, HEX LOCKING NYLON INSERT STEEL CAD 2, 1/4-28
27	8	MS21044N6	NUT, NYLON INSERT, 250 DEG, STEEL, 0.375-24 THREAD
28	2	MS21044N8	NUT, 1/2-20 THREAD, NYLON INSERT, 250 DEG.
29	1	MS24665-349	COTTER PIN
30	2	MS28775-218	"O" RING
31	2	MS35333-40	STAR WASHER
32	2	NAS1149F0432P	WASHER, AIRFRAME, CARBON STEEL, TO FIT DIA 1/4"
33	8	NAS1149F0632P	WASHER
34	8	NAS1149F0663P	WASHER
35	4	NAS1149F0863P	WASHER, AIRFRAME, CARBON STEEL, TO FIT DIA 1/2"

* Any alternate tire (tube type) which is TSO-approved, matches the listed tire's dimensions, and meets its speed/load/ply ratings may be used. Equivalent tubes may also be used.

NOSE WHEEL ASSEMBLY WITHOUT TIRE



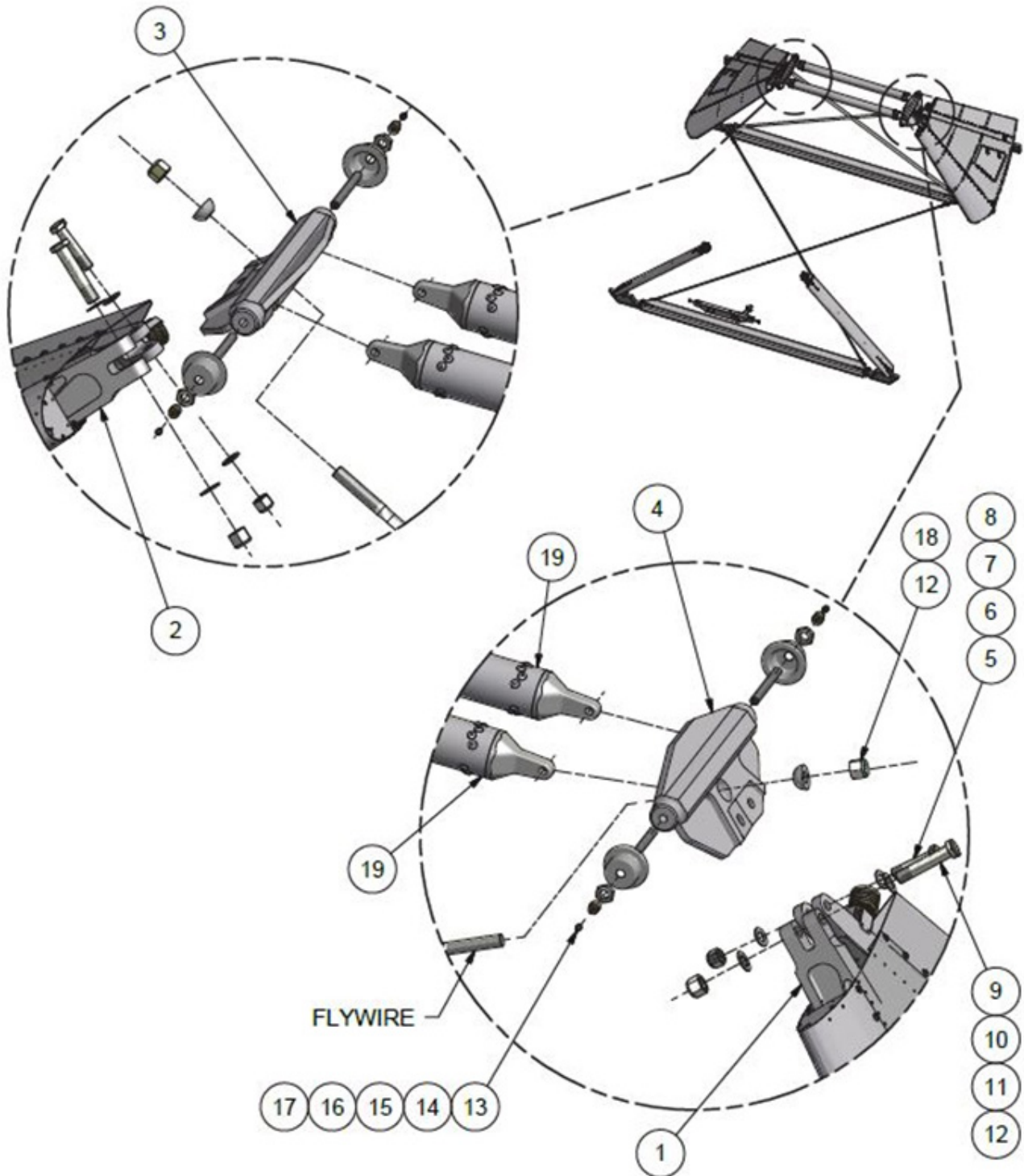
ITEM	QTY	PART NO.	PART DESCRIPTION
-	1	1003233	ASSEMBLY, NOSE WHEEL W/O TIRE (REWORKED CLEVELAND PN 40-87H W/ DRAIN HOLES, EXPANDED SEALS)
1	1	1003232	RETAINER, GREASE, NOSE WHEEL
2	2	08231	CUP, BEARING, TIMKEN
3	2	08125	BEARING, STL, TIMKEN
4	1	1003547	SEAL, BEARING, WHEEL, INBOARD
5	1	1003548	SEAL, NOSE WHEEL, OUTBOARD (INCLUDES #50 VENT HOLE)
6	2	155-00200	RING, SNAP
7	3	AN4-22A	BOLT, 1/4-28 THREAD, 1-13/16" GRIP, 2-9/32" LENGTH
8	3	MS21042-4	NUT, SELF LOCKING, 1/4-28, REDUCED HEIGHT
9	6	NAS1149F0463P	WASHER, SCREW SIZE 1/4 OD.500 ID.265 THK.063
10	1	217-00100	GROMMET, AIR VALVE STEM

SECTION 10 STRUT PACKAGE & STEPS

CONTENTS

STRUT INSTALLATION: PYLON GEAR JOURNAL ATTACH POINTS.....	144
STRUT INSTALLATION: PYLON LOWER ATTACH POINTS	146
LEFT PYLON ASSEMBLY.....	148
RIGHT PYLON ASSEMBLY	150
STRUT INSTALLATION: FRONT UPPER ATTACH POINTS STANDARD	152
STRUT INSTALLATION: FRONT ENGINE SUPPORT STANDARD	154
STRUT INSTALLATION: FRONT LEFT LOWER ATTACH POINT STANDARD.....	156
STRUT INSTALLATION: FRONT RIGHT LOWER ATTACH POINT STANDARD	158
STRUT INSTALLATION: FRONT UPPER KICKER HEAVY SEA	160
STRUT INSTALLATION: FRONT LEFT LOWER ATTACH POINT HEAVY SEA	162
STRUT INSTALLATION: FRONT RIGHT LOWER ATTACH POINT HEAVY SEA.....	164
STEP INSTALLATION	166

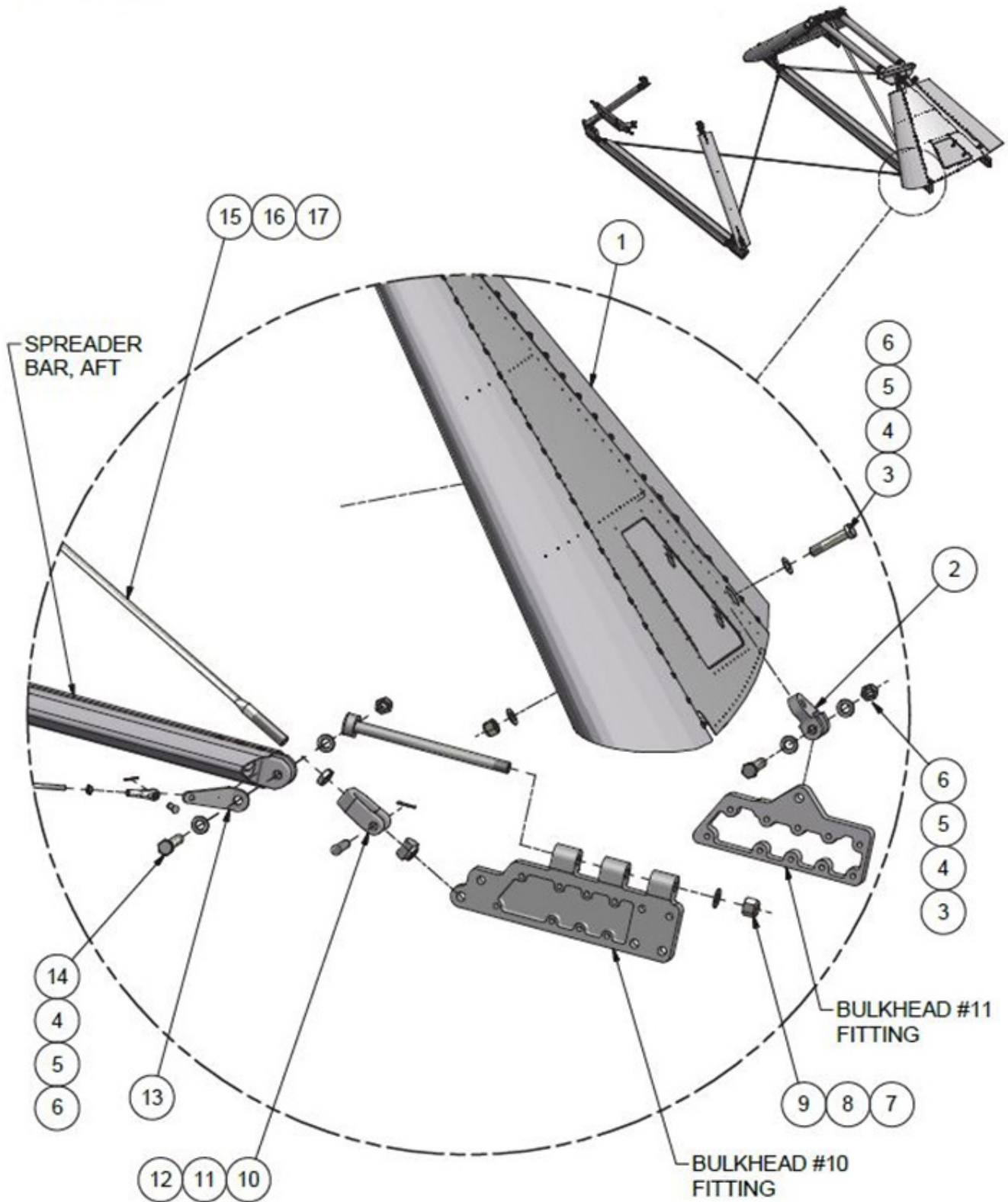
STRUT INSTALLATION: PYLON GEAR JOURNAL ATTACH POINTS



PARTS MANUAL
WIPLINE 7000 FLOATS

ITEM	QTY	PART NO.	PART DESCRIPTION
1	1	1004171	ASSEMBLY, PYLON, KODIAK, LH
2	1	1004172	ASSEMBLY, PYLON, KODIAK, RH
3	1	1003490	AXLE, BEAM, FLOAT, RIGHT
4	1	1003489	AXLE, BEAM, FLOAT, RLEFT
5	2	MS21044N10	NUT
6	2	NAS1149F1063P	WASHER
7	2	NAS1149F1032P	WASHER
8	2	AN10-27A	BOLT
9	2	AN12-35A	BOLT
10	2	NAS1149F1232P	WASHER
11	2	NAS1149F1290P	WASHER
12	4	MS21044N12	NUT
13	4	1095K41	COMMON GREASEZERK
14	4	1004697	GREASE PLUG
15	4	AN316-10R	NUT
16	4	1004696	BUSHING MOD
17	2	1004253	PIN, COMPRESSIVE TUBE
18	2	1003360	DOMED SPACER
19	2	1004513	ASS'Y, CROSS TUBE, BEAM AXLE, KODIAK

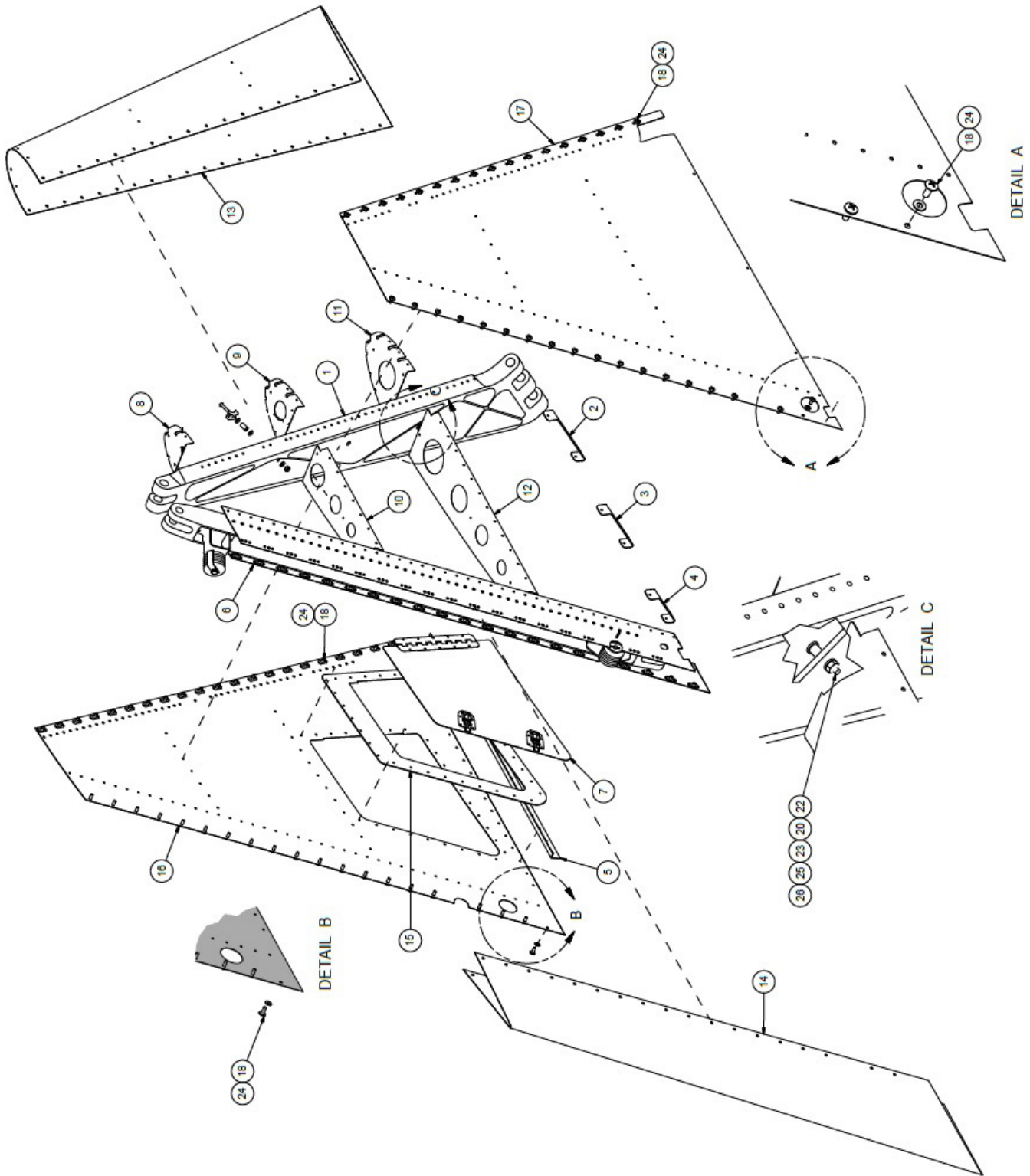
STRUT INSTALLATION: PYLON LOWER ATTACH POINTS



PARTS MANUAL
WIPLINE 7000 FLOATS

ITEM	QTY	PART NO.	PART DESCRIPTION
1	1	1004172	ASSEMBLY, PYLON, KODIAK, RH
	1	1004171	ASSEMBLY, PYLON, KODIAK, LH
2	1	1003306	FITTING, AFT KICKER STRUT
3	2	AN10-27A	BOLT
4	3	NAS1149F1032P	WASHER
5	3	NAS1149F1063P	WASHER
6	3	MS21044N10	NUT
7	1	1003237	BOLT, PYLON, .750-16 UNF, 10" GRIP
8	1	NAS1149F1290P	WASHER
9	1	MS21044N10	NUT
10	1	1003483	CLEVIS, FLY WIRE, AFT, LH, KODIAK
11	1	MS20392-8C73	CLEVIS PIN
12	1	MS24665-370	COTTER PIN
13	1	1004911	WIRE PULL, BOXING WIRE 7000
14	1	AN10-31A	BOLT
15	1	1003448	FLY WIRE, REAR, KODIAK
16	1	AN316C12L	NUT
17	1	1004597	BARREL NUT, LOCKING

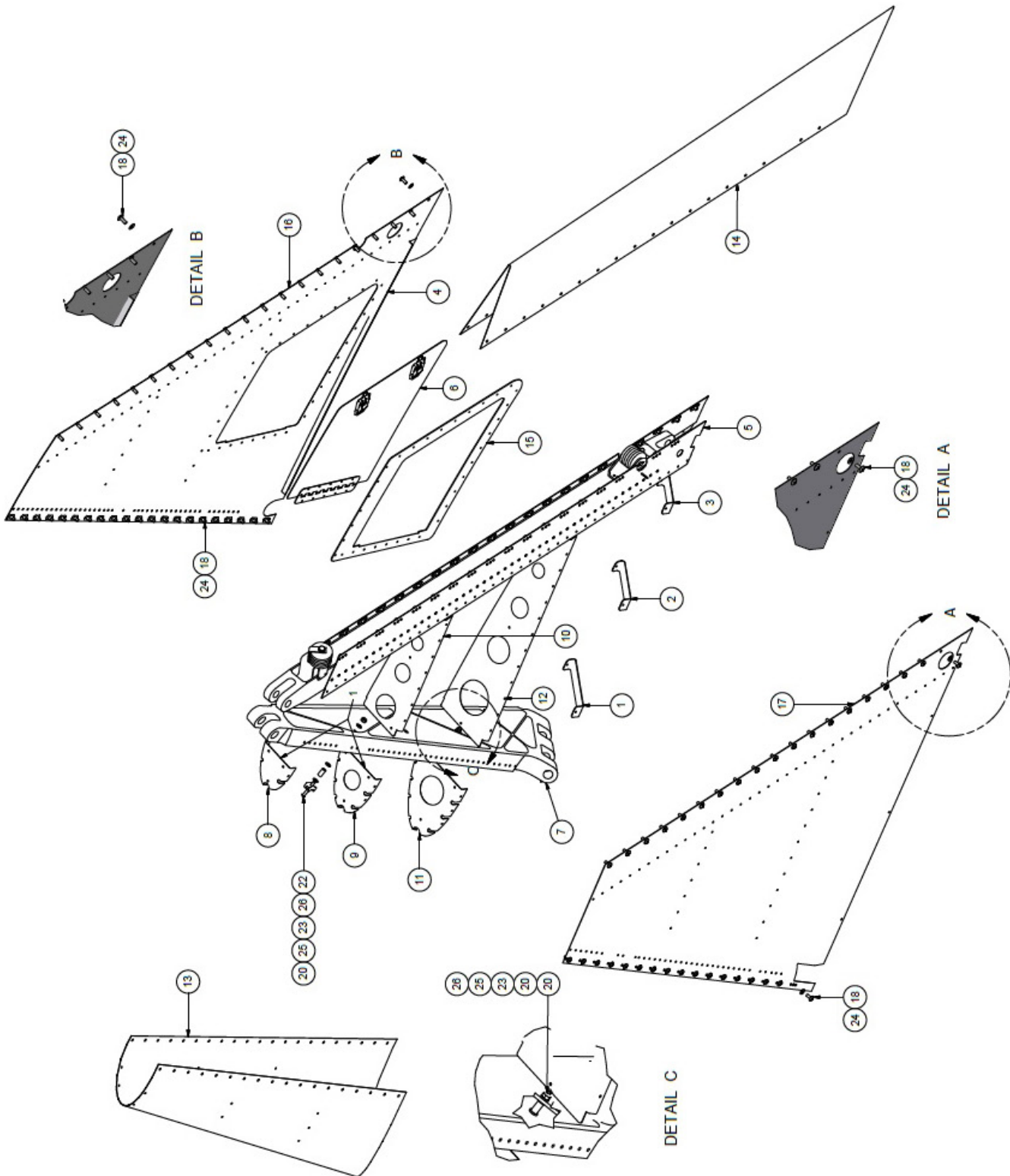
LEFT PYLON ASSEMBLY



PARTS MANUAL
WIPLINE 7000 FLOATS

ITEM	QTY	PART NO.	PART DESCRIPTION
-	1	1004171	ASSEMBLY, PYLON, KODIAK, LH
1	1	1003249	STRUT, MAIN, PYLON, LH
2	1	1003870	SUPPORT, SKINS, FWD, LH, PYLON, KODIAK
3	1	1003871	SUPPORT, SKINS, MID, LH, PYLON, KODIAK
4	1	1003872	SUPPORT, SKINS, AFT, LH, PYLON, KODIAK
5	1	1003877	STIFFENER, OUTBOARD, PYLON, LH, KODIAK
6	1	1004019	ASSEMBLY, STRUT, DRAG, LH, PYLON
7	1	1004027	ASSEMBLY, DOOR, ACCESS, LH, PYLON, KODIAK
8	1	1004141	RIB, LEADING EDGE, UPPER, LH, PYLON, KODIAK
9	1	1004143	RIB, LEADING EDGE, MID, LH, PYLON, KODIAK
10	1	1004145	RIB, CENTER, MID, LH, PYLON, KODIAK
11	1	1004147	RIB, LEADING EDGE, LOWER, LH, PYLON, KODIAK
12	1	1004149	RIB, CENTER, LOWER, LH, PYLON, KODIAK
13	1	1004157	SKIN, LEADING EDGE, PYLON, LH, KODIAK
14	1	1004163	SKIN, TRAILING EDGE, PYLON, LH, KODIAK
15	1	1004167	REINFORCEMENT, DOOR, ACCESS, LH, PYLON, KODIAK
16	1	1004173	ASSEMBLY, SKIN, OUTBOARD, LH, KODIAK PYLON
17	1	1004175	ASSEMBLY, SKIN, INBOARD, LH, KODIAK PYLON
18	77	AN526-1032R8	SCREW
19	A/R	MS20470AD-4	RIVET, SOLID
20	2	MS21044N3	NUT
21	2	MS21266-1N	GROMMET
22	2	MS35207-269	SCREW
23	6	NAS1149D0363J	WASHER
24	77	NAS1149F0332P	WASHER
25	2	NAS43DD3-40FC	SPACER
26	2	T-10	MOUNT, CABLE TIE

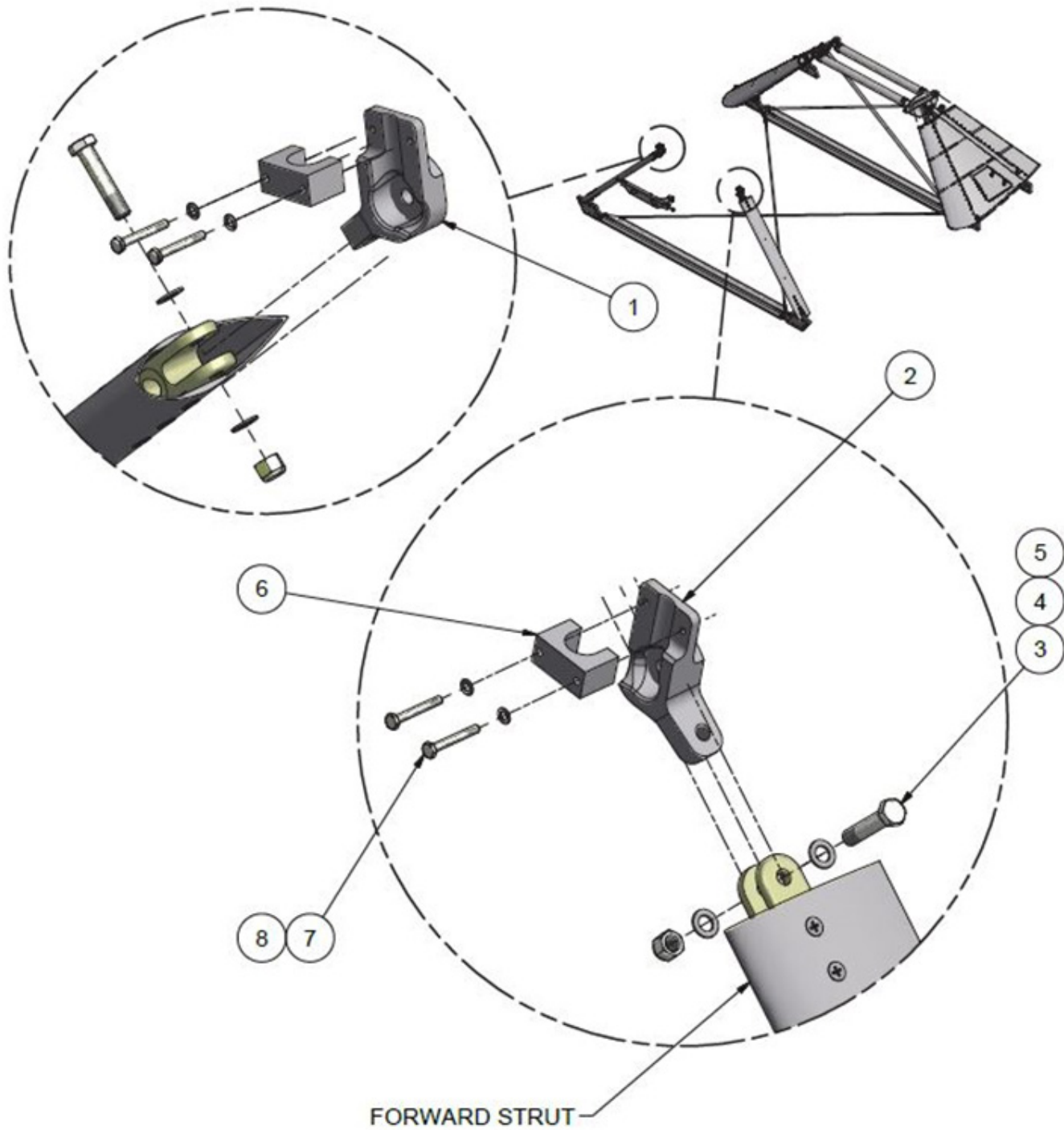
RIGHT PYLON ASSEMBLY



PARTS MANUAL
WIPLINE 7000 FLOATS

ITEM	QTY	PART NO.	PART DESCRIPTION
-	1	1004172	ASSEMBLY, PYLON, KODIAK, RH
1	1	1003873	SUPPORT, SKINS, FWD, RH, PYLON, KODIAK
2	1	1003874	SUPPORT, SKINS, MID, RH, PYLON, KODIAK
3	1	1003875	SUPPORT, SKINS, AFT, RH, PYLON, KODIAK
4	1	1003876	STIFFENER, OUTBOARD, PYLON, RH, KODIAK
5	1	1004018	ASSEMBLY, STRUT, DRAG, RH, PYLON
6	1	1004026	ASSEMBLY, DOOR, ACCESS, RH, PYLON, KODIAK
7	1	1004054	STRUT, MAIN, PYLON, RH
8	1	1004140	RIB, LEADING EDGE, UPPER, RH, PYLON, KODIAK
9	1	1004142	RIB, LEADING EDGE, MID, RH, PYLON, KODIAK
10	1	1004144	RIB, CENTER, MID, RH, PYLON, KODIAK
11	1	1004146	RIB, LEADING EDGE, LOWER, RH, PYLON, KODIAK
12	1	1004148	RIB, CENTER, LOWER, RH, PYLON, KODIAK
13	1	1004156	SKIN, LEADING EDGE, PYLON, RH, KODIAK
14	1	1004162	SKIN, TRAILING EDGE, PYLON, RH, KODIAK
15	1	1004166	REINFORCEMENT, DOOR, ACCESS, RH, PYLON, KODIAK
16	1	1004174	ASSEMBLY, SKIN, OUTBOARD, RH, KODIAK PYLON
17	1	1004176	ASSEMBLY, SKIN, INBOARD, RH, KODIAK PYLON
18	79	AN526-1032R8	SCREW
19	A/R	MS20470AD-4	RIVET, SOLID
20	2	MS21044N3	NUT
21	2	MS21266-1N	GROMMET
22	2	MS35207-269	SCREW
23	6	NAS1149D0363J	WASHER
24	79	NAS1149F0332P	WASHER
25	2	NAS43DD3-40FC	SPACER
26	2	T-10	MOUNT, CABLE TIE

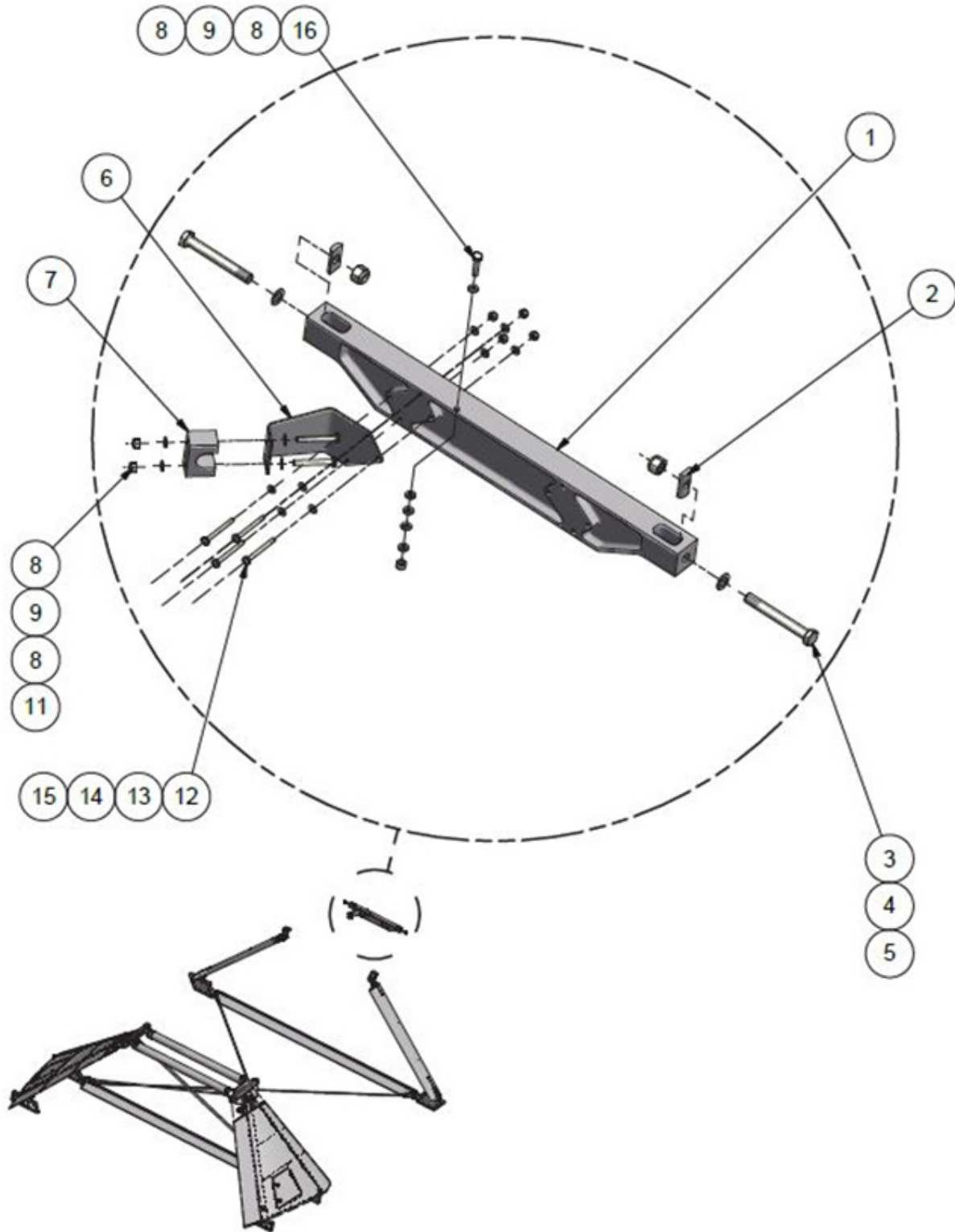
STRUT INSTALLATION: FRONT UPPER ATTACH POINTS STANDARD



PARTS MANUAL
WIPLINE 7000 FLOATS

ITEM	QTY	PART NO.	PART DESCRIPTION
1	1	1003334	FITTING, ENGINE MOUNT, RH, KODIAK
2	1	1003335	FITTING, ENGINE MOUNT, LH, KODIAK
3	1	AN8-22A	BOLT
4	2	NAS1149F0863P	WASHER
5	1	MS21044N8	NUT
6	1	10A12214-006	CLAMP - HYDRAULIC PUMP
7	2	AN4H17A	BOLT
8	2	NAS1149F0432P	WASHER

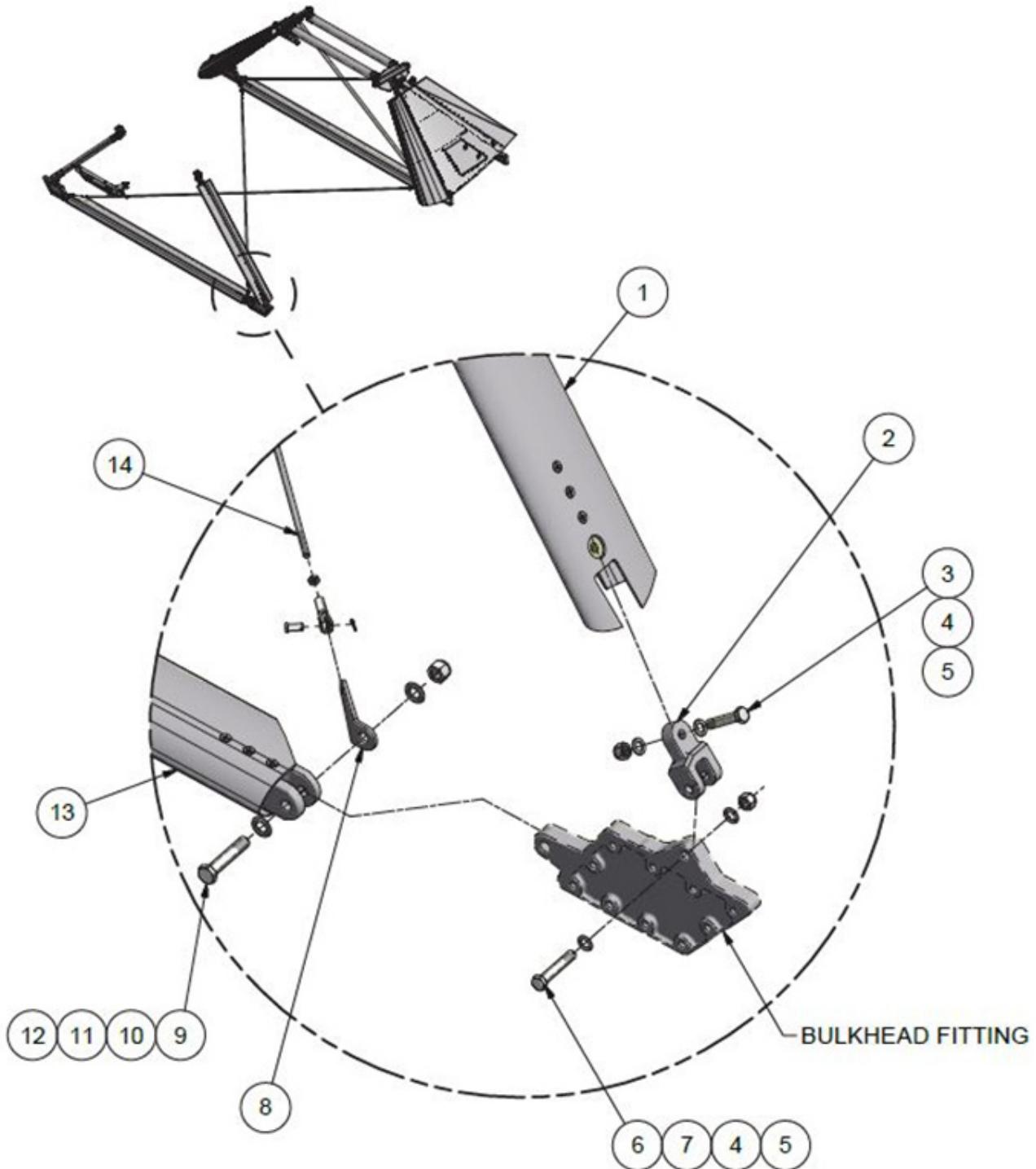
STRUT INSTALLATION: FRONT ENGINE SUPPORT STANDARD



PARTS MANUAL
WIPLINE 7000 FLOATS

ITEM	QTY	PART NO.	PART DESCRIPTION
1	1	1003541	SUPPORT, ENGINE MOUNT
2	2	1003145	SPACER, ENGINE MOUNT SUPPORT
3	2	AN8-36A	BOLT
4	2	NAS1149F0863P	WASHER
5	2	MS21044N8	NUT
6	1	1004809	BRACKET, NOSE GEAR FITTING, KODIAK
7	1	1004810	CLAMP, 1" TUBE
8	3	MS21044N4	NUT
9	3	NAS1149F0463P	WASHER
10	3	NAS1149F0432P	WASHER
11	2	AN4-17A	BOLT
12	4	AN3-20A	BOLT
13	4	NAS1149F0332P	WASHER
14	4	NAS1149F0363P	WASHER
15	4	MS21044N3	NUT
16	1	AN4-11A	BOLT

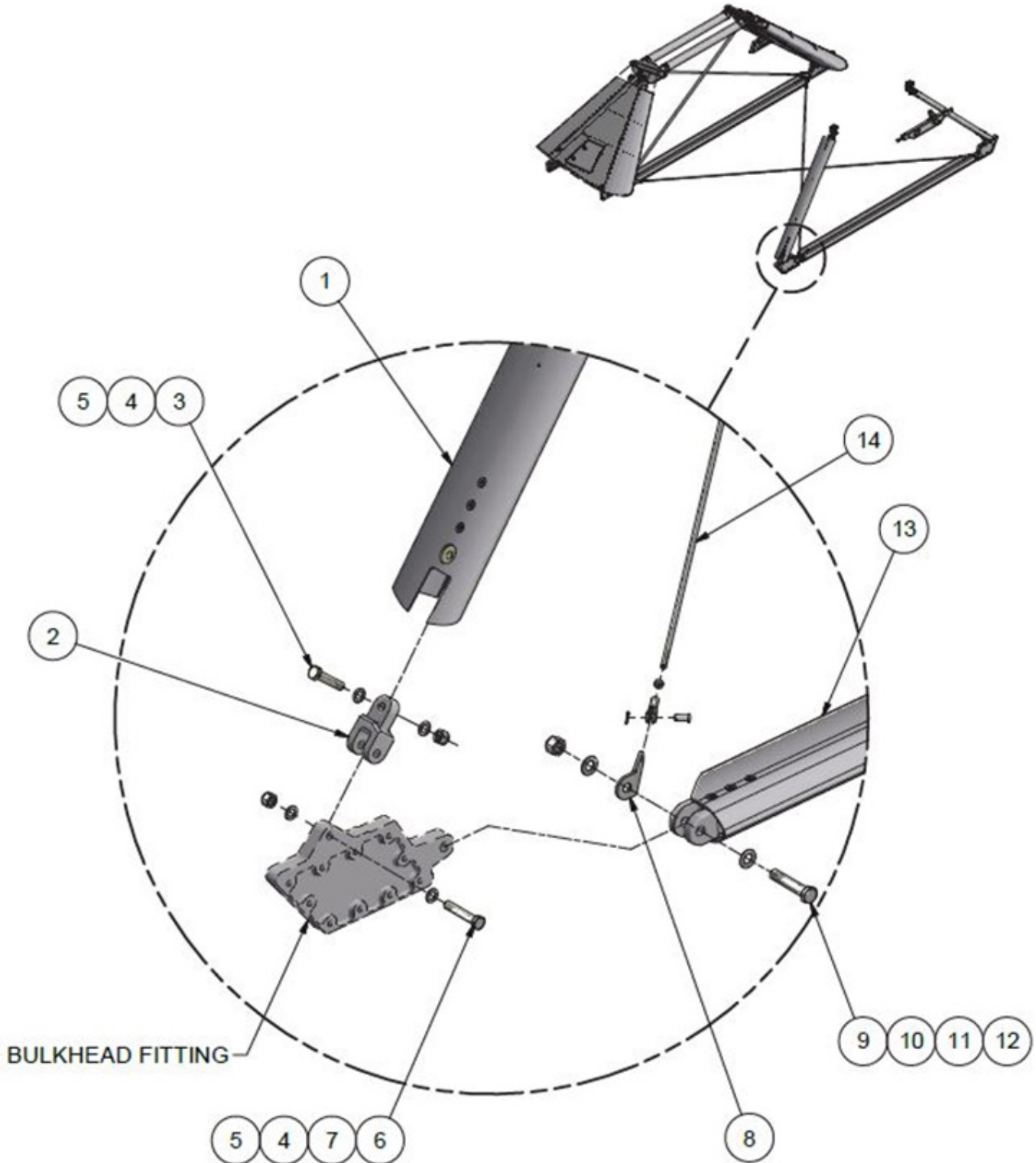
STRUT INSTALLATION: FRONT LEFT LOWER ATTACH POINT STANDARD



PARTS MANUAL
WIPLINE 7000 FLOATS

ITEM	QTY	PART NO.	PART DESCRIPTION
1	1	1004535	ASSEMBLY, STRUT, FWD, LH, KODIAK
2	1	1004549	FITTING, STRUT ATTACH, FWD,LH
3	1	AN8-22A	BOLT
4	2	NAS1149F0863P	WASHER
5	2	MS21044N8	NUT
6	1	AN8-26A	BOLT
7	1	NAS1149F0832P	WASHER
8	1	1004911	WIRE PULL, BOXING WIRE 7000
9	1	AN10-31A	BOLT
10	1	NAS1149F1032P	WASHER
11	1	NAS1149F1063P	WASHER
12	1	MS21044N10	NUT
13	1	1003881	ASSEMBLY, SPREADER BAR, FORWARD, KODIAK
14	1	1004582	FLY WIRE, BOX, ROUND, KODIAK
14.2	2	MS24665-283	COTTER PIN
14.4	1	AN316C5L	NUT
14.5	1	AN665-61LS	TERMINAL, FLY WIRE
14.6	2	MS20392-5C21	CLEVIS PIN

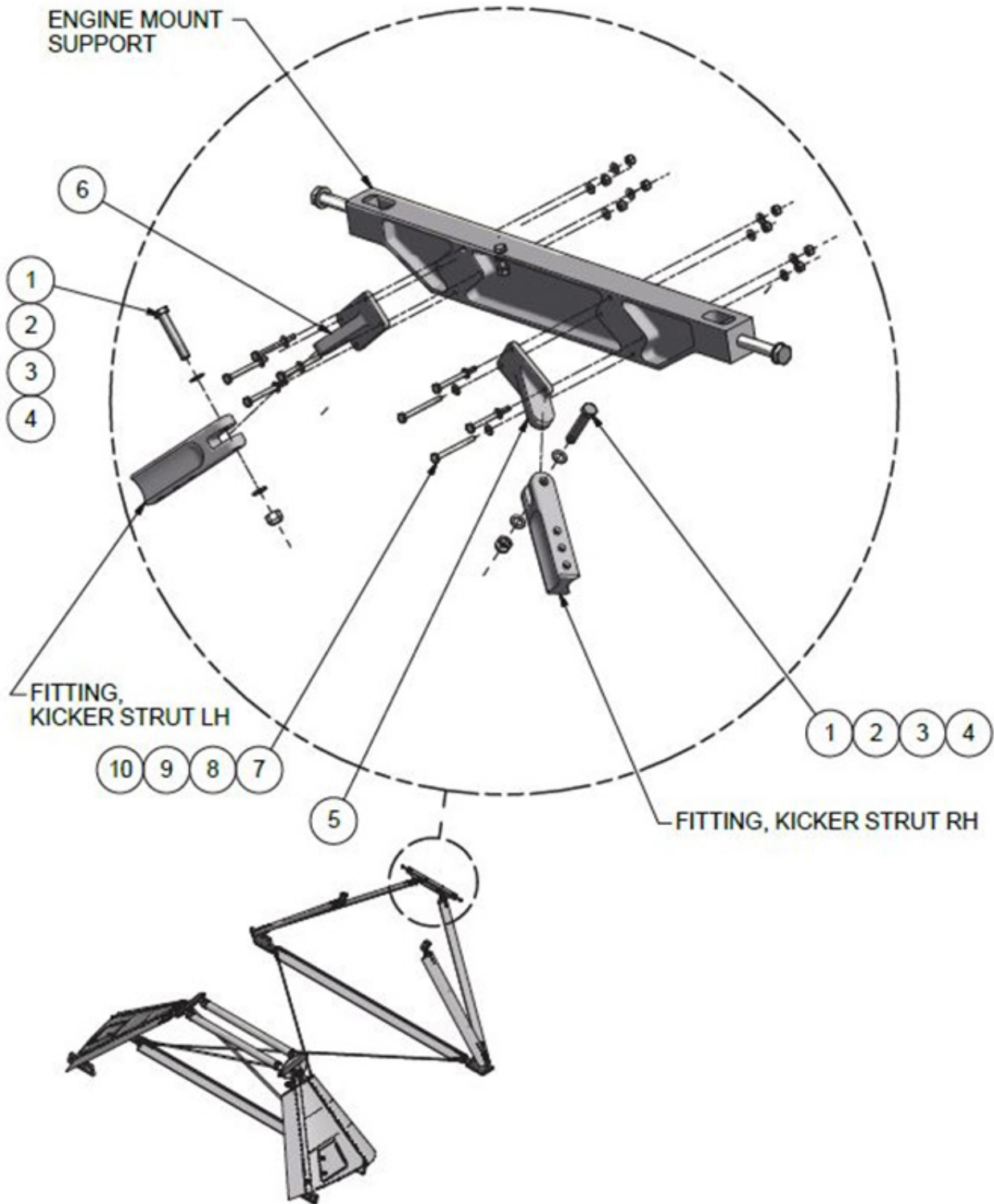
STRUT INSTALLATION: FRONT RIGHT LOWER ATTACH POINT STANDARD



PARTS MANUAL
WIPLINE 7000 FLOATS

ITEM	QTY	PART NO.	PART DESCRIPTION
1	1	1004536	ASSEMBLY, STRUT, FWD, RH, KODIAK
2	1	1004550	FITTING, STRUT ATTACH, FWD, RH
3	1	AN8-22A	BOLT
4	2	NAS1149F0863P	WASHER
5	2	MS21044N8	NUT
6	1	AN8-26A	BOLT
7	1	NAS1149F0832P	WASHER
8	1	1004911	WIRE PULL, BOXING WIRE 7000
9	1	AN10-31A	BOLT
10	1	NAS1149F1032P	WASHER
11	1	NAS1149F1063P	WASHER
12	1	MS21044N10	NUT
13	1	1003881	ASSEMBLY, SPREADER BAR, FORWARD, KODIAK
14	1	1004582	FLY WIRE, BOX, ROUND, KODIAK
14.2	2	MS24665-283	COTTER PIN
14.4	1	AN316C5L	NUT
14.5	1	AN665-61LS	TERMINAL, FLY WIRE
14.6	2	MS20392-5C21	CLEVIS PIN

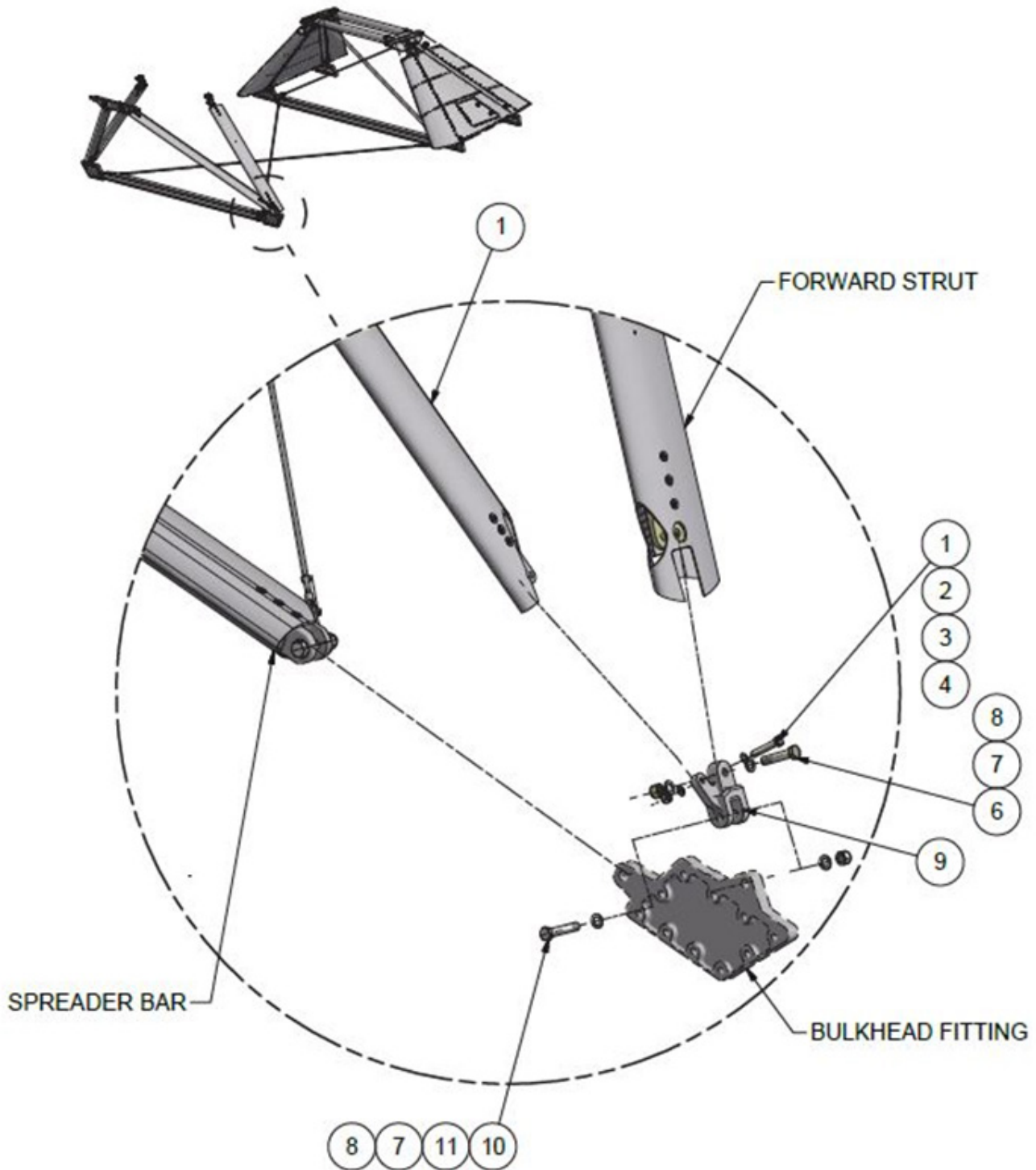
STRUT INSTALLATION: FRONT UPPER KICKER HEAVY SEA



PARTS MANUAL
WIPLINE 7000 FLOATS

ITEM	QTY	PART NO.	PART DESCRIPTION
1	2	AN6-20A	BOLT
2	2	NAS1149F0632P	WASHER
3	2	NAS1149F0663P	WASHER
4	2	MS21044N6	NUT
5	1	1003538	MOUNT, KICKER STRUT, HS, RH
6	1	1003537	MOUNT, KICKER STRUT, HS, LH
7	8	AN3-21A	BOLT
8	8	NAS1149F0332P	WASHER
9	8	NAS1149F0363P	WASHER
10	8	MS21044N3	NUT

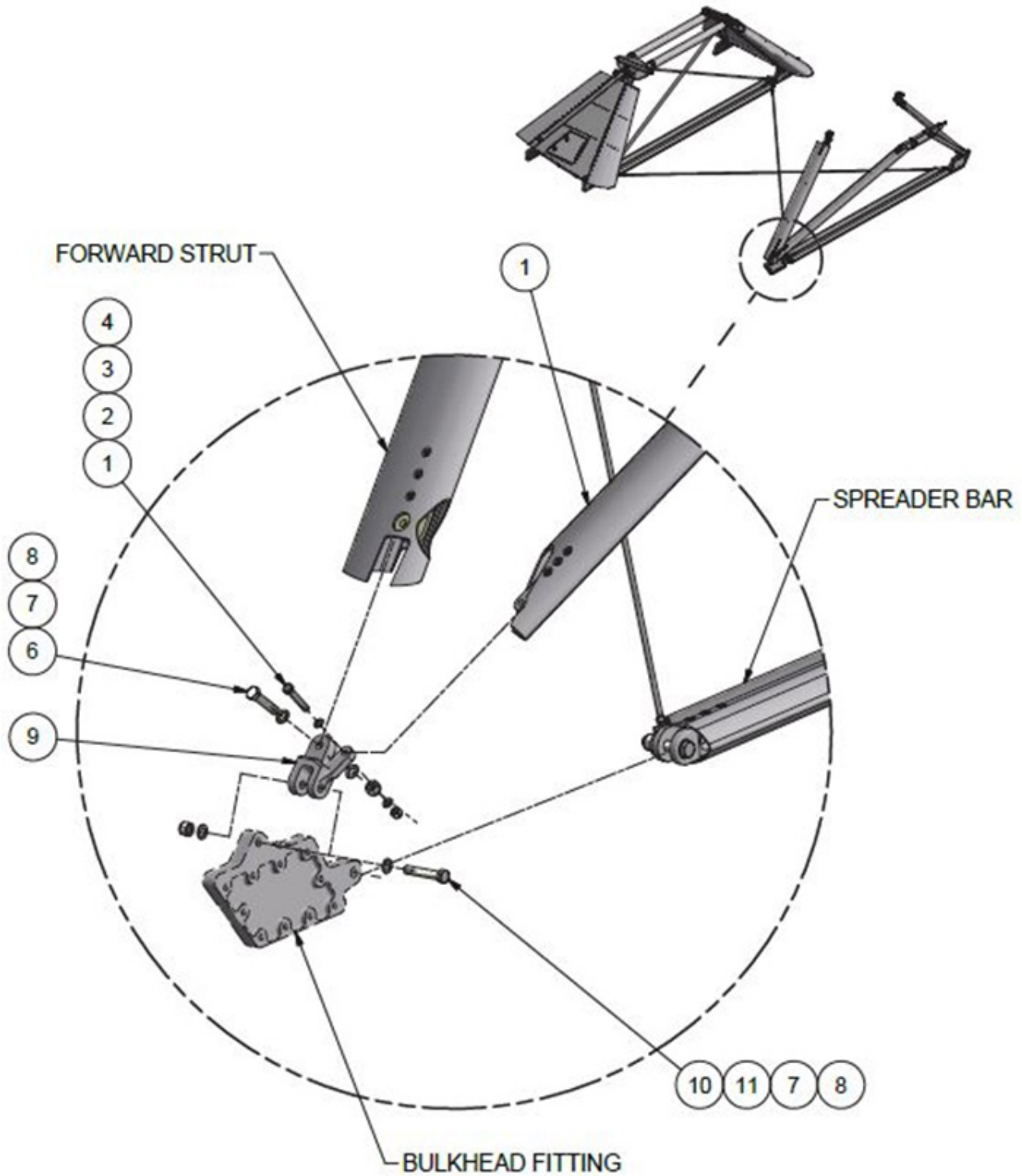
STRUT INSTALLATION: FRONT LEFT LOWER ATTACH POINT HEAVY SEA



PARTS MANUAL
WIPLINE 7000 FLOATS

ITEM	QTY	PART NO.	PART DESCRIPTION
1	1	1003885	ASSEMBLY, STRUT, KICKER, LH, HS, KODIAK
2	1	AN6-20A	BOLT
3	1	NAS1149F0632P	WASHER
4	1	NAS1149F0663P	WASHER
5	1	MS21044N6	NUT
6	1	AN8-22A	BOLT
7	3	NAS1149F0863P	WASHER
8	2	MS21044N8	NUT
9	1	1003535	FITTING, STRUT ATTACH, FWD, HS, LH
10	1	AN8-26A	BOLT
11	1	NAS1149F0832P	WASHER

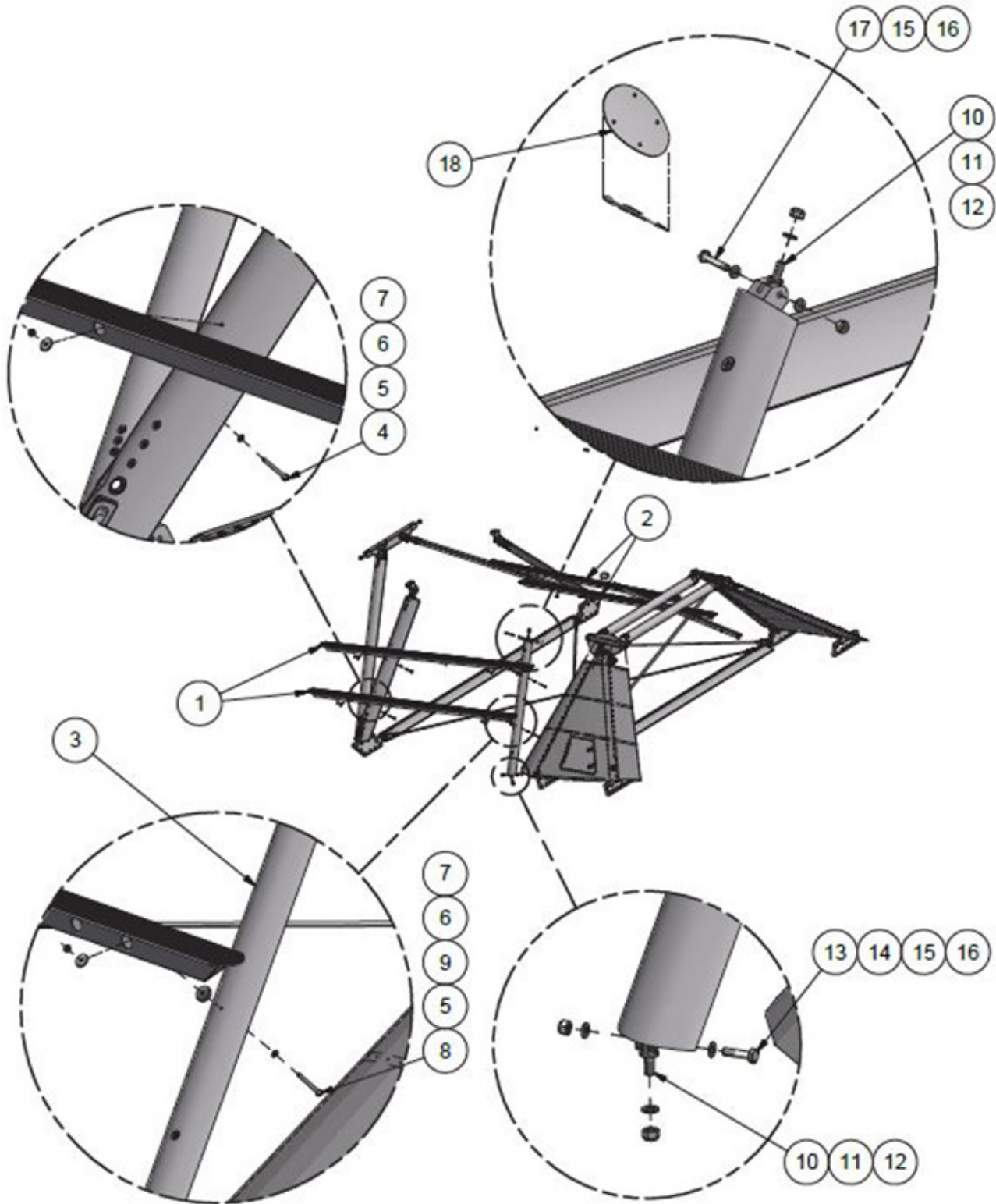
STRUT INSTALLATION: FRONT RIGHT LOWER ATTACH POINT HEAVY SEA



PARTS MANUAL
WIPLINE 7000 FLOATS

ITEM	QTY	PART NO.	PART DESCRIPTION
1	1	1003886	ASSEMBLY, STRUT, KICKER, RH, HS, KODIAK
2	1	AN6-20A	BOLT
3	1	NAS1149F0632P	WASHER
4	1	NAS1149F0663P	WASHER
5	1	MS21044N6	NUT
6	1	AN8-22A	BOLT
7	3	NAS1149F0863P	WASHER
8	2	MS21044N8	NUT
9	1	1003536	FITTING, STRUT ATTACH, FWD, HS, RH
10	1	AN8-26A	BOLT
11	1	NAS1149F0832P	WASHER

STEP INSTALLATION



PARTS MANUAL
WIPLINE 7000 FLOATS

ITEM	QTY	PART NO.	PART DESCRIPTION
1	2	1003893	STEP, PILOT, KODIAK
2	2	1003894	STEP, COPILOT, KODIAK
3	1	1003887	ASSEMBLY, STEP STRUT, PILOT, KODIAK
4	1	AN3-24A	BOLT
5	2	NAS1149F0332P	WASHER
6	2	AN970-3	WASHER
7	2	MS21044N3	NUT
8	1	AN3-22A	BOLT
9	1	1004654	SPACER, NYLON, .25 ID X 1.0 OD X .25 THK
10	2	AN44-5A	EYE BOLT
11	2	NAS1149F0563P	WASHER
12	2	MS21044N5	NUT
13	1	AN4-10A	BOLT
14	1	NAS1149F0432P	WASHER
15	3	NAS1149F0463P	WASHER
16	2	MS21044N4	NUT
17	1	AN4-14A	BOLT
18	1	1004694	COVER, KODIAK STEP

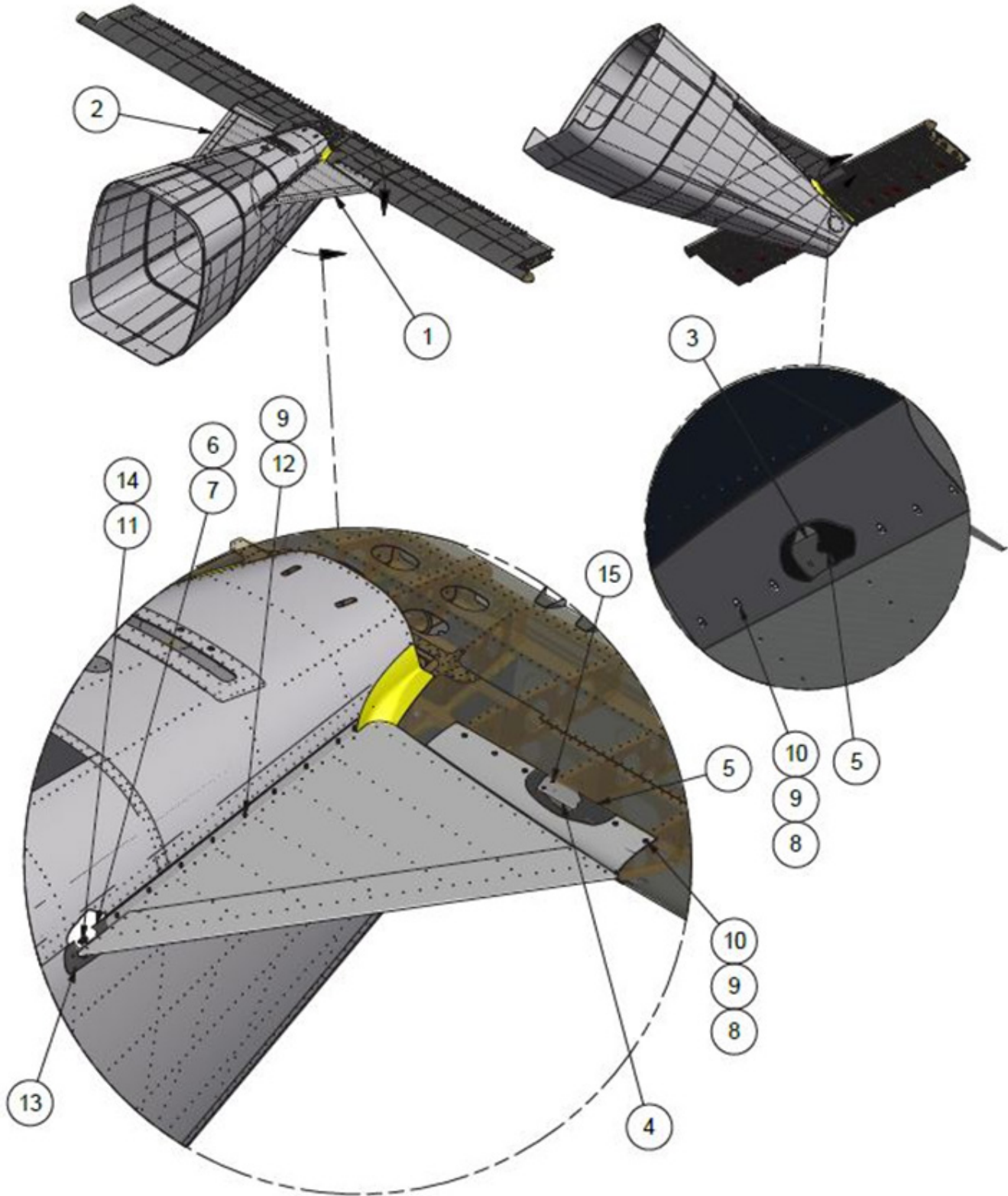
THIS PAGE INTENTIONALLY LEFT BLANK

SECTION 11 AERODYNAMIC SYSTEMS

CONTENTS

STRAKE INSTALLATION.....	170
STRAKE ASSEMBLY LEFT	172
STRAKE ASSEMBLY RIGHT.....	174
FINLET INSTALLATION.....	176
VERTICAL STAB VORTEX GENERATOR	178
TRIM TAB EXTENSIONS HORIZONTAL STABILIZER.....	180

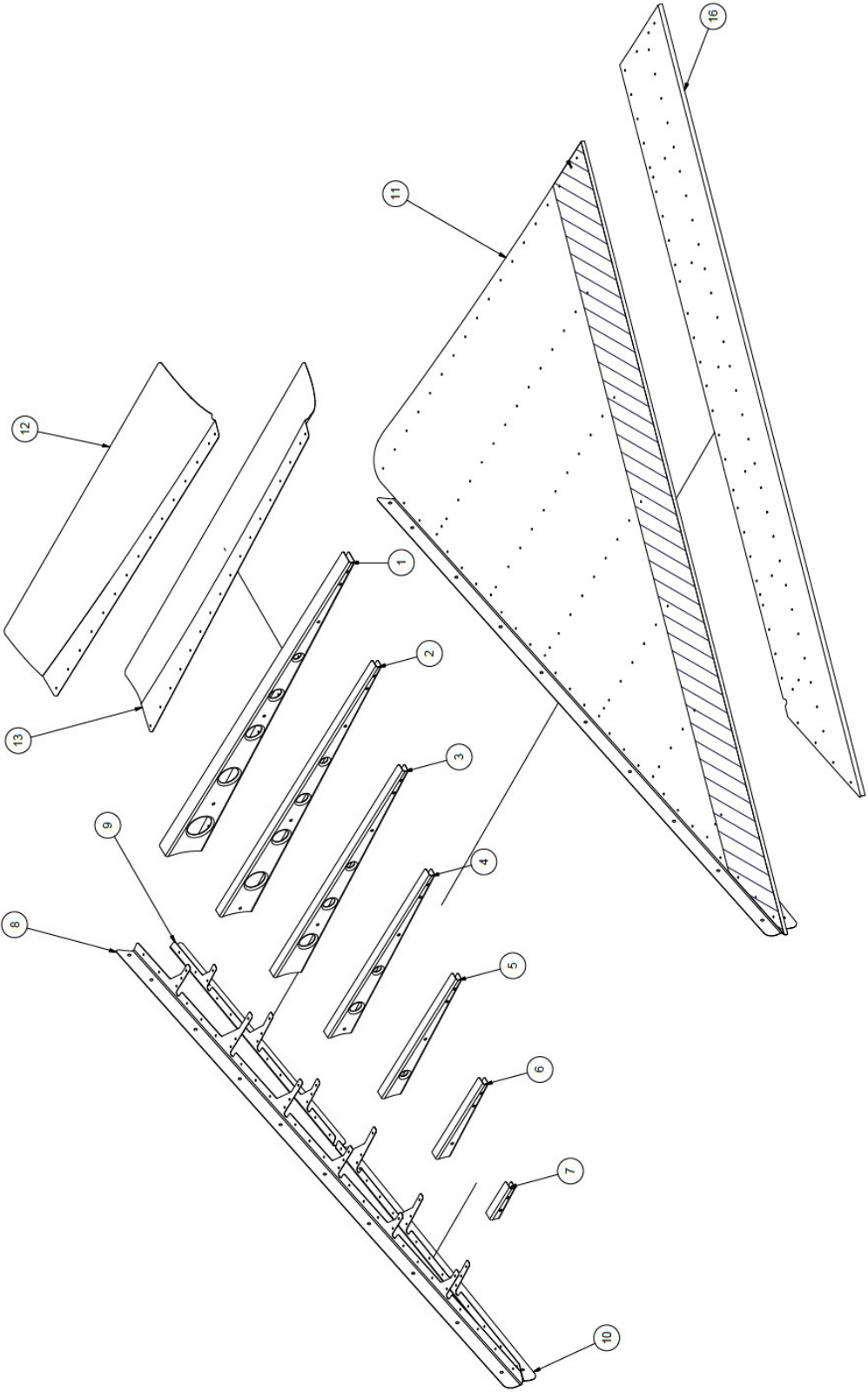
STRAKE INSTALLATION



PARTS MANUAL
WIPLINE 7000 FLOATS

ITEM	QTY	PART NO.	PART DESCRIPTION
1	1	1004501	ASSEMBLY, STRAKE, LH, KODIAK
2	1	1004502	ASSEMBLY, STRAKE, RH, KODIAK
3	2	1004595	DOUBLER, KODIAK STRAKE, LOWER HORIZONTAL
4	2	1004594	DOUBLER, KODIAK STRAKE, UPPER HORIZONTAL
5	2	1004677	CHAFE PAD, RUBBER
6	1	1004492	DOUBLER, STRAKE, RH, KODIAK
7	1	1004491	DOUBLER, STRAKE, LH, KODIAK
8	15	NAS1329A08-75	RIVNUT, CTRSNK HD,8-32UNC, .01-.08 GRIP, UNKEYED
9	35	NAS1149DN832J	WASHER
10	30	AN526-832R6	SCREW, MACHINE, TRUSS HEAD
11	40	MS21059L08	NUT PLATE
12	40	AN526C832R8	SCREW, MACHINE, TRUSS HEAD
13	24	MS20470AD4-5	RIVET, UNIVERSAL HEAD
14	80	MS20426AD3-6	RIVET, FLAT HEAD
15	24	CR3212-4-2	RIVET, CHERRYMAX, FLAT HEAD, CR3212-4-2

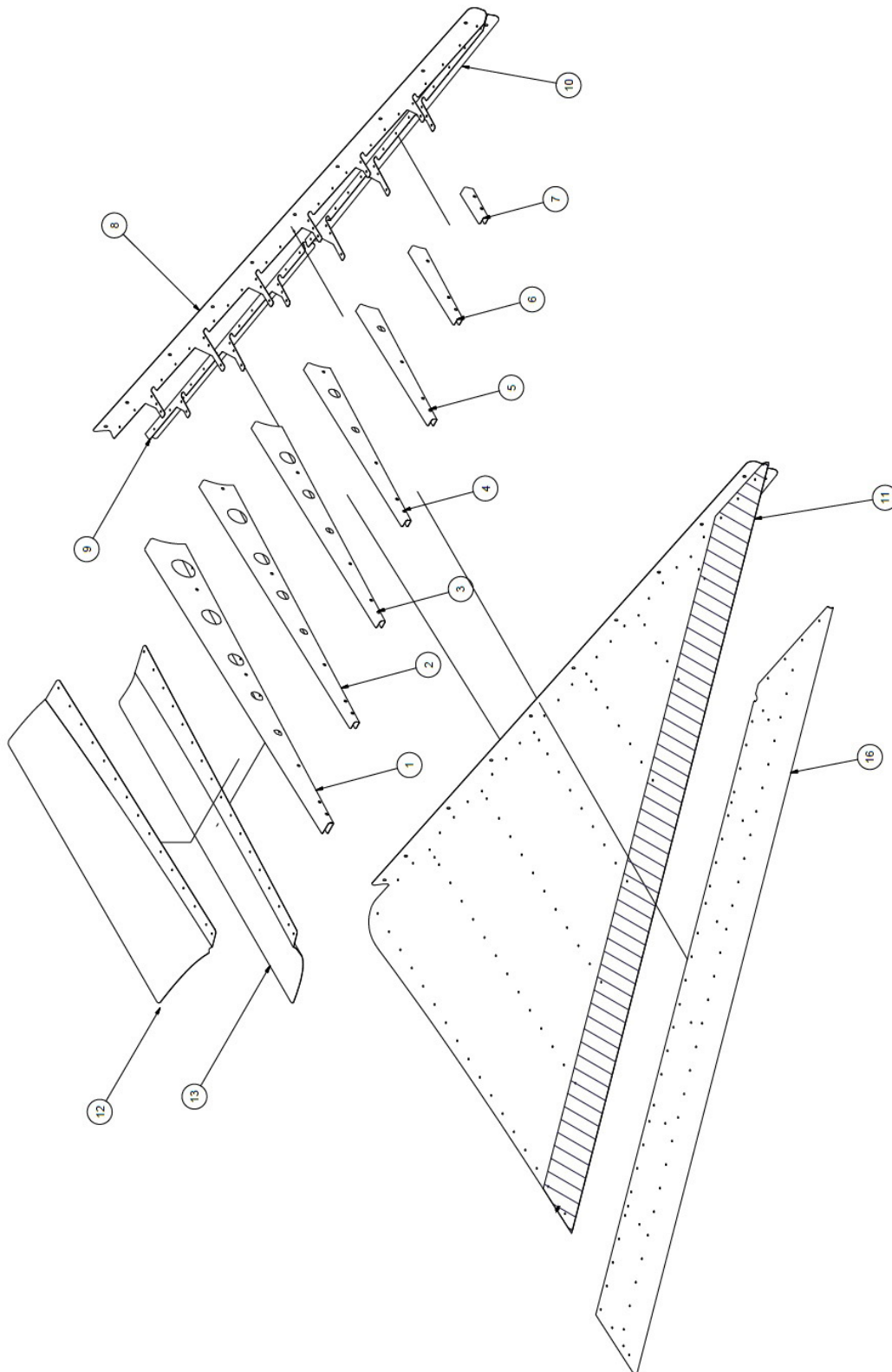
STRAKE ASSEMBLY LEFT



PARTS MANUAL
WIPLINE 7000 FLOATS

ITEM	QTY	PART NO.	PART DESCRIPTION
-	1	1004501	ASSEMBLY, STRAKE, LH, KODIAK
1	1	1004477	RIB 1, STRAKE, LH, KODIAK
2	1	1004479	RIB 2, STRAKE, LH, KODIAK
3	1	1004481	RIB 3, STRAKE, LH, KODIAK
4	1	1004483	RIB 4, STRAKE, LH, KODIAK
5	1	1004485	RIB 5, STRAKE, LH, KODIAK
6	1	1004487	RIB 6, STRAKE, LH, KODIAK
7	1	1004489	RIB 7, STRAKE, LH, KODIAK
8	1	1004493	DOUBLER, STRAKE, UPPER FLANGE, LH, KODIAK
9	1	1004495	DOUBLER, STRAKE LOWER FLANGE, AFT, LH, KODIAK
10	1	1004497	DOUBLER, STRAKE LOWER FLANGE, FWD, LH, KODIAK
11	1	1004503	PANEL, STRAKE, LH, KODIAK
12	1	1004505	MOUNT, UPPER STAB, LH, KODIAK
13	1	1004507	MOUNT, LOWER STAB, LH, KODIAK
15	A/R	MS20470D4	RIVET
16	1	1005148	CAP, STRAKE REINFORCEMEN, LH

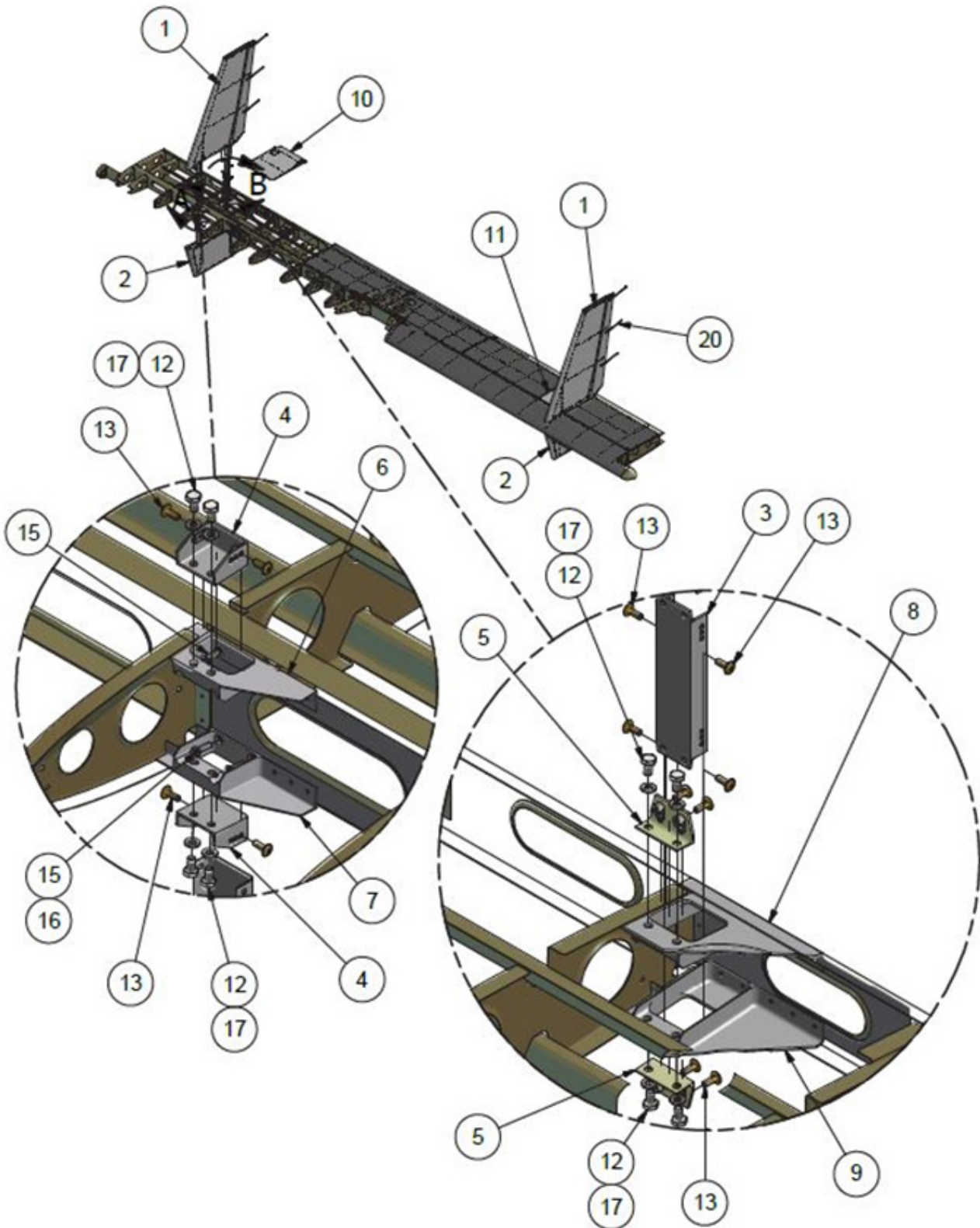
STRAKE ASSEMBLY RIGHT



PARTS MANUAL
WIPLINE 7000 FLOATS

ITEM	QTY	PART NO.	PART DESCRIPTION
-	1	1004502	ASSEMBLY, STRAKE, RH, KODIAK
1	1	1004478	RIB 1, STRAKE, RH, KODIAK
2	1	1004480	RIB 2, STRAKE, RH, KODIAK
3	1	1004482	RIB 3, STRAKE, RH, KODIAK
4	1	1004484	RIB 4, STRAKE, RH, KODIAK
5	1	1004486	RIB 5, STRAKE, RH, KODIAK
6	1	1004488	RIB 6, STRAKE, RH, KODIAK
7	1	1004490	RIB 7, STRAKE, RH, KODIAK
8	1	1004494	DOUBLER, STRAKE, UPPER FLANGE, RH, KODIAK
9	1	1004496	DOUBLER, STRAKE LOWER FLANGE, AFT, RH, KODIAK
10	1	1004498	DOUBLER, STRAKE LOWER FLANGE, FWD, RH, KODIAK
11	1	1004504	PANEL, STRAKE, RH, KODIAK
12	1	1004506	MOUNT, UPPER STAB, RH, KODIAK
13	1	1004508	MOUNT, LOWER STAB, RH, KODIAK
15	A/R	MS20470D4	RIVET
16	1	1005149	CAP, STRAKE REINFORCEMEN, RH

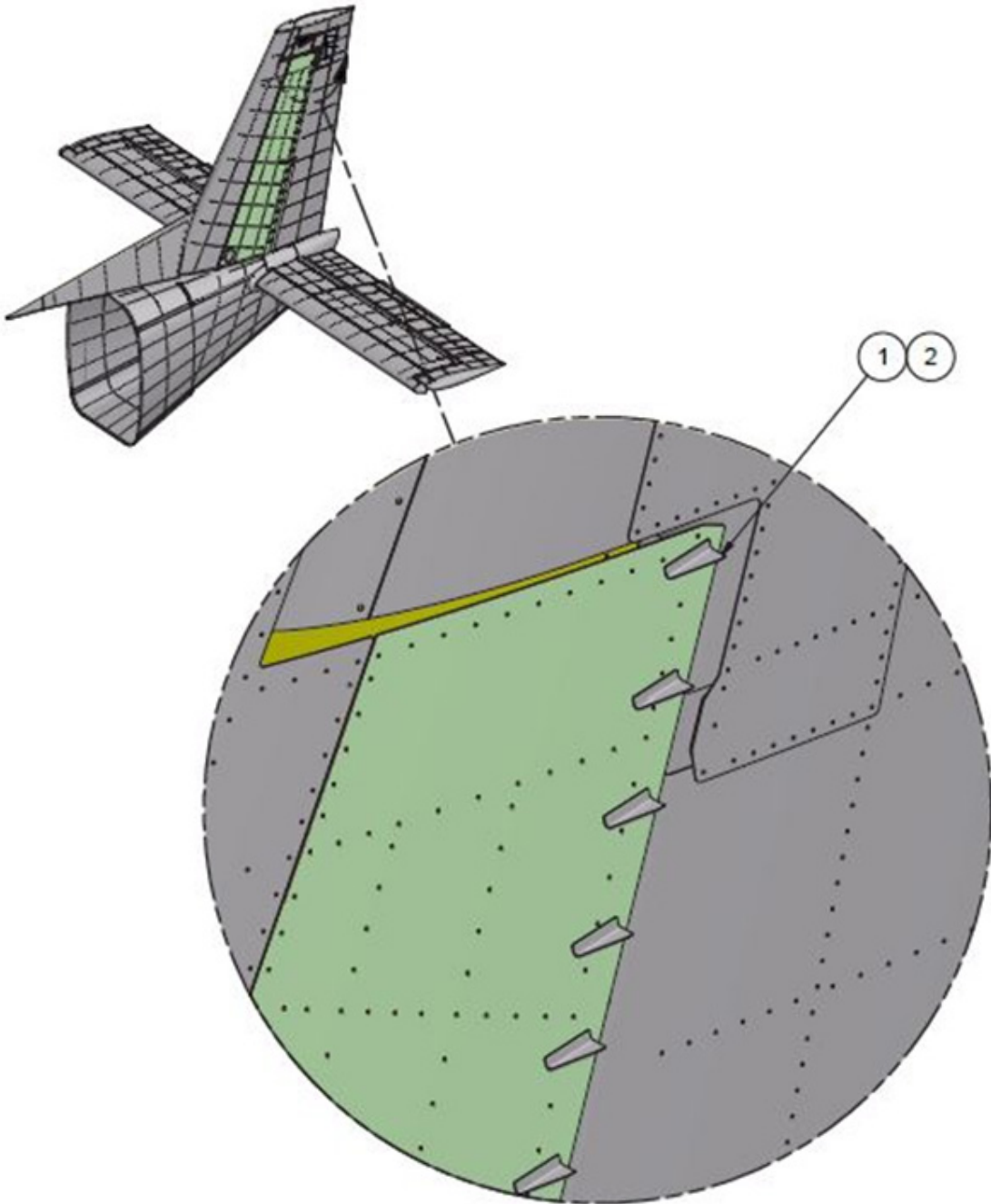
FINLET INSTALLATION



PARTS MANUAL
WIPLINE 7000 FLOATS

ITEM	QTY	PART NO.	PART DESCRIPTION
1	2	1003697	ASSEMBLY, AUXILARY FIN, UPPER, KODIAK
2	2	1003698	ASSEMBLY, AUXILARY FIN, LOWER, KODIAK
3	2	1004132	ASSEMBLY, FITTING, AUXILARY FIN, KODIAK
4	4	1004133	ASSEMBLY, MOUNT, AUXILARY FIN, TOP & BOTTOM, KODIAK
5	4	1004134	ASSEMBLY, BRACKET, AFT AUXILARY FIN, KODIAK
6	2	1004135	ASSEMBLY, BRACKET, AUX. FIN, SPAR, KODIAK
7	2	1004136	ASSEMBLY, BRACKET, AUXILARY FIN, FWD SPAR, KODIAK
8	2	1004137	ASSEMBLY, BRACKET, AFT SPAR, AUXILARY FIN, KODIAK
9	2	1004138	ASSEMBLY, BRACKET, AFT SPAR, AUXILARY FIN, KODIAK
10	1	1004169	COVER, HORIZONTAL, AUXILARY FIN, KODIAK, RH
11	1	1004170	COVER, HORIZONTAL, AUXILARY FIN, KODIAK, LH
12	8	AN4-3A	BOLT
13	24	AN525-10R8	SCREW, WASHER HEAD
14	8	MS21044N3	NUT
15	8	MS24693-S273	MACHINE SCREW
16	8	NAS1149F0363P	WASHER
17	16	NAS1149F0463P	WASHER
18	A/R	MS20470AD4	RIVET, SOLID, UNIVERSAL HEAD
19	A/R	CR3213-4	RIVET, CHERRY MAX
20	6	C592001-0206	STATIC WICK, CESSNA

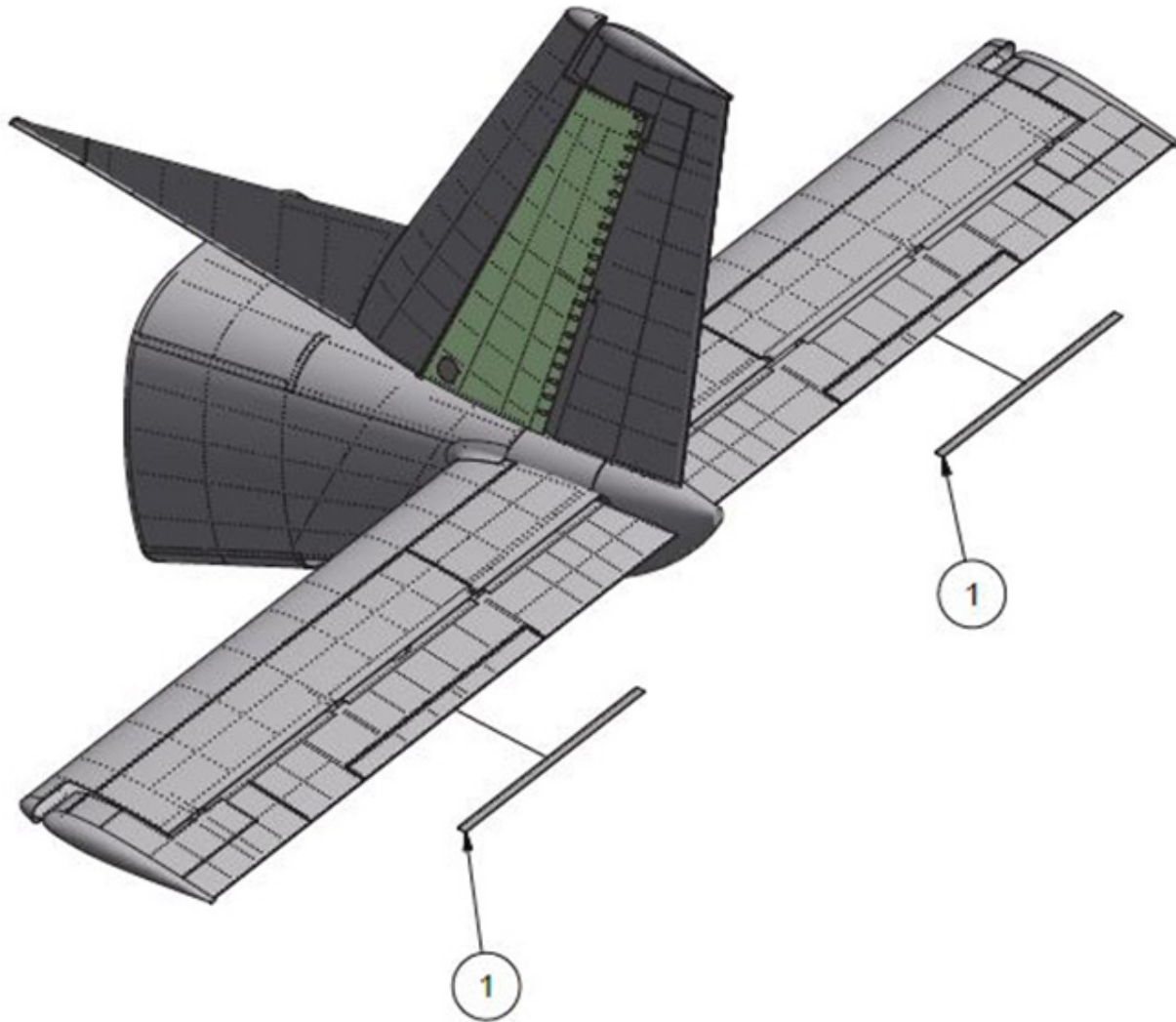
VERTICAL STAB VORTEX GENERATOR



PARTS MANUAL
WIPLINE 7000 FLOATS

ITEM	QTY	PART NO.	PART DESCRIPTION
1	20	1004524	VORTEX GENERATOR, LH
2	20	1004525	VORTEX GENERATOR, RH

TRIM TAB EXTENSIONS HORIZONTAL STABILIZER



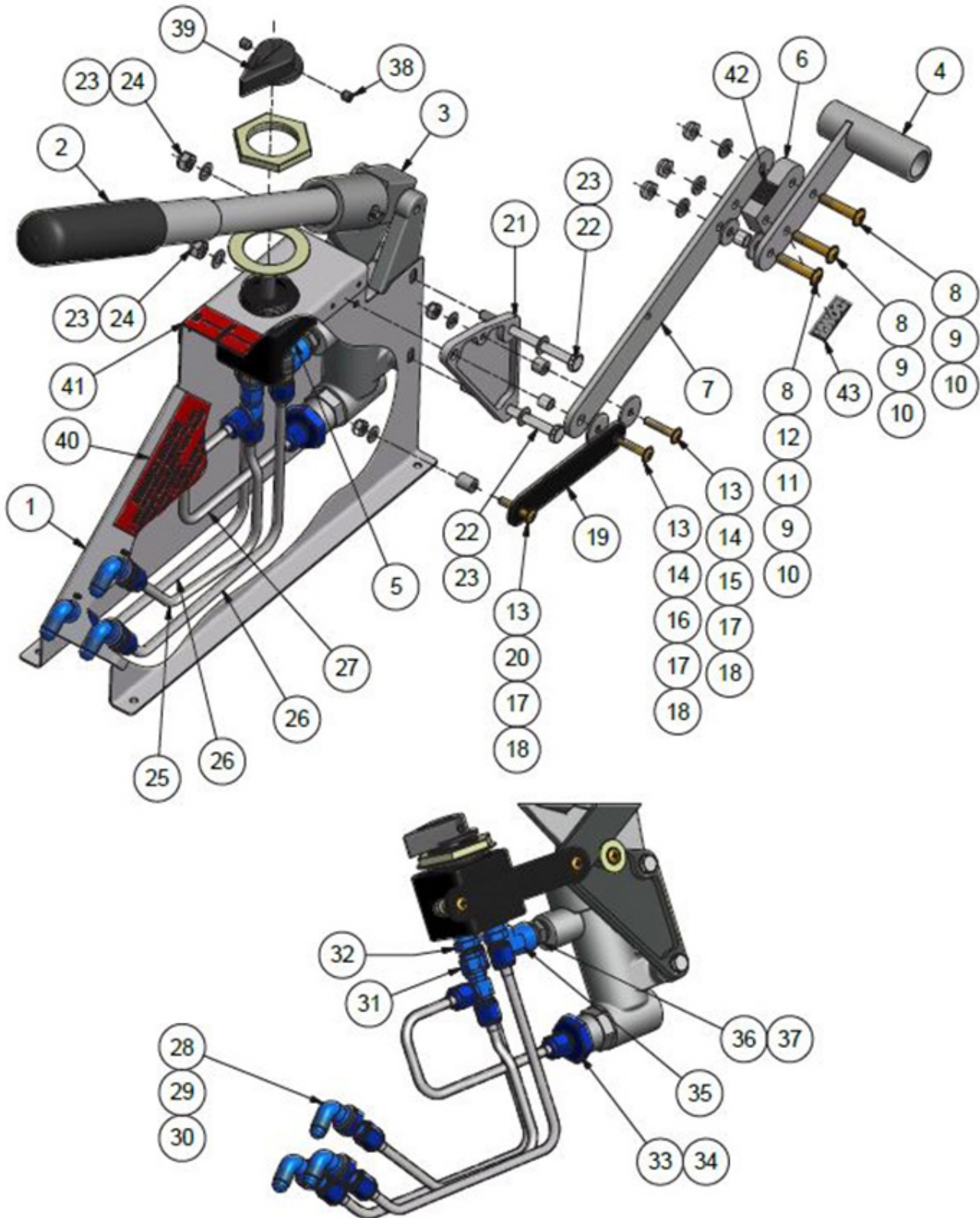
ITEM	QTY	PART NO.	PART DESCRIPTION
1	2	1004526	EXTENSION, TRIM TAB
2	A/R	1004846	CONTROL BALANCE LEAD WEIGHT

SECTION 12 AIRCRAFT SYSTEMS

CONTENTS

HAND PUMP ASSEMBLY	182
BIDIRECTIONAL HYDRAULIC PUMP ASSEMBLY POST SERVICE LETTER 219	185
BIDIRECTIONAL MOUNT PLATE HYDRAULIC POWER PACK POST SERVICE LETTER 219	187
BIDIRECTIONAL HYDRAULIC PUMP ASSEMBLY PRE SERVICE LETTER 219.....	190
HYDRAULIC PUMP OVERVIEW POST SERVICE LETTER 219	194
HYDRAULIC PUMP OVERVIEW PRE SERVICE LETTER 219	196
HYDRAULIC SCHEMATIC POST SERVICE LETTER 219	198
GEAR SELECTOR ASSEMBLY.....	200
AILERON TRIM TIMER BYPASS SWITCH	202
CIRCUIT BREAKER CONFIGURATIONS ENGINE CONTROL PEDESTAL.....	204
ELECTRICAL SCHEMATICS POST SERVICE LETTER 219	205
ELECTRICAL SCHEMATICS PRE SERVICE LETTER 219.....	211

HAND PUMP ASSEMBLY

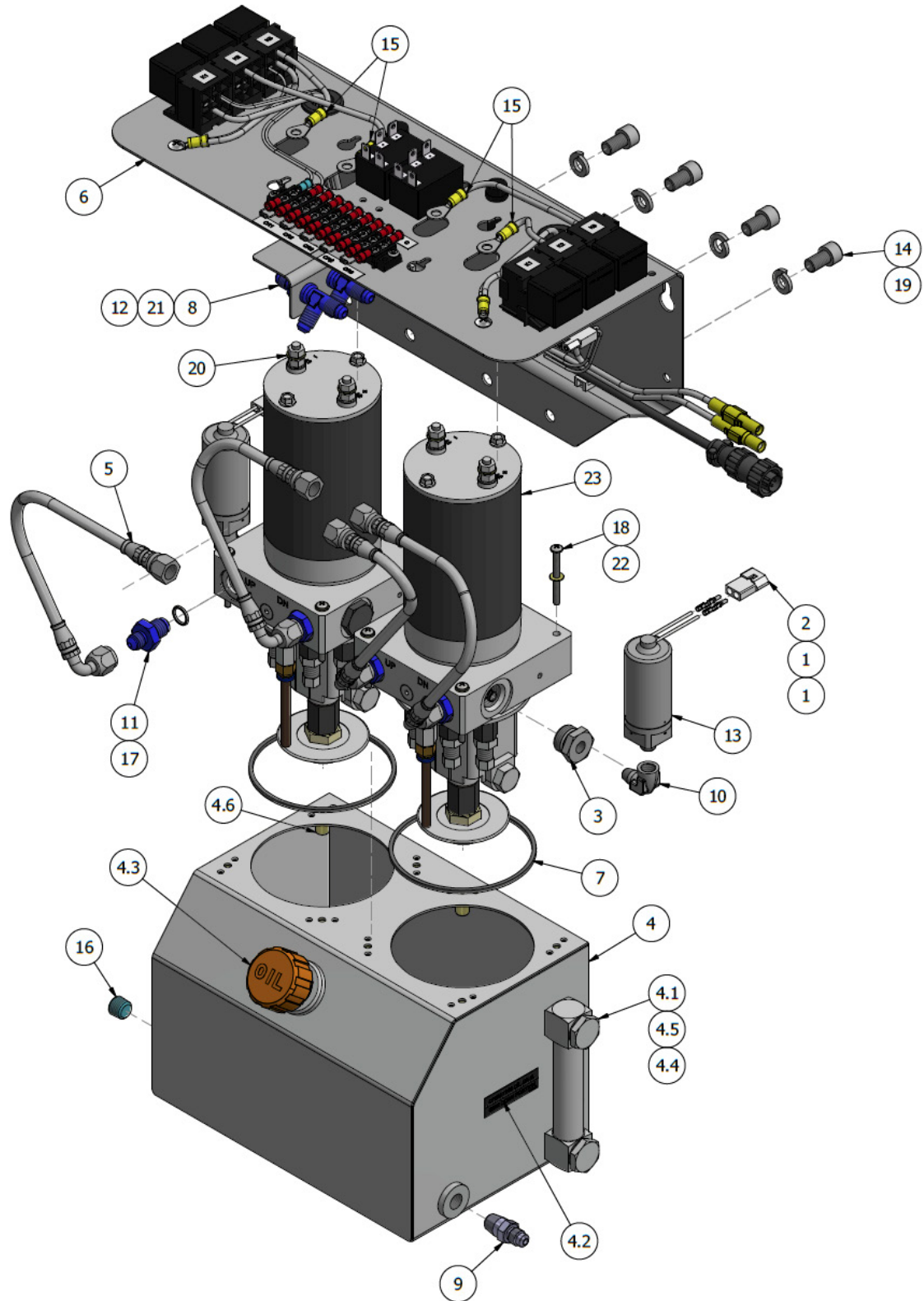


PARTS MANUAL
WIPLINE 7000 FLOATS

ITEM	QTY	PART NO.	PART DESCRIPTION
1	1	1004470	ASSEMBLY, HOUSING, HAND PUMP, KODIAK
2	1	1002838	RETRACT HANDLE
3	1	914-8D-27	PUMP, HAND, HYDRAULIC
4	1	8A08000-061	ASSEMBLY, LEVER HANDLE
5	1	51861S6HO3P	VALVE, HYDRAULIC, 3 POSITION, WITH PANEL NUT
6	1	8A08033-003	SPACER, WATER RUDDER RETRACT
7	1	8A08068-001	LEVER - WATER RUDDER RETRACT
8	3	AN525-416R20	SCREW, WASHER HEAD
9	3	NAS1149F0463P	WASHER
10	3	MS21083N4	NUT
11	1	NAS43HT4-20	SPACER
12	2	S1450-4-12-063	WASHER
13	3	AN525-10R16	SCREW, WASHER HEAD
14	2	AN970-3	WASHER
15	1	8A08267-006	SPACER, RETRACT HANDLE
16	1	NAS43HT3-20	SPACER
17	3	NAS1149F0332P	WASHER
18	3	MS21044N3	NUT
19	1	1004698	RETAINER, RETRACT HANDLE
20	1	8A08267-007	SPACER, RETRACT HANDLE
21	1	1004072	BRACKET, LEVER, PUMP KODIAK
22	2	AN4-30A	BOLT
23	4	NAS1149C0432R	WASHER
24	2	MS21044N4	NUT
25	1	1004627	ASSEMBLY, TUBE, HYDRAULIC, HAND PUMP, KODIAK
26	2	1004626	ASSEMBLY, TUBE, HYDRAULIC, HAND PUMP, KODIAK
27	1	1004628	ASSEMBLY, TUBE, HYDRAULIC, HAND PUMP, KODIAK
28	3	AN833-4D	FITTING, HYDRAULIC, 90° ELBOW
29	6	NAS1149F0763P	WASHER
30	3	AN924-4D	JAM NUT
31	1	926104ERL	-4 "T" FEMALE AN SWIVEL ON RUN
32	3	AN816-4-4D	NIPPLE, FLARED TUBE AND PIPE THREAD
33	1	AN919-10D	UNION -10D
34	1	MS28775-016	"O" RING
35	1	AN914-2D	ELBOW, PIPE, INTERNAL AND EXTERNAL THREAD
36	1	AN816-6D	NIPPLE, FLARED TUBE AND PIPE THREAD
37	1	MS28775-013	"O" RING
38	2	91375A556	1/4-28 X .25 SET SCREW
39	1	1004073	KNOB, PUMP ASSEMBLY, KODIAK
40	1	1004814	PLACARD, EMERGENCY HANDPUMP
41	1	10B3-6283-2	PLACARD, EMERGENCY HANDPUMP GEAR POSITION

ITEM	QTY	PART NO.	PART DESCRIPTION
42	1	1004657-1	PLACARD, WATER RUDDER POSITION, UP
43	1	1004657-2	PLACARD, WATER RUDDER POSITION, DOWN

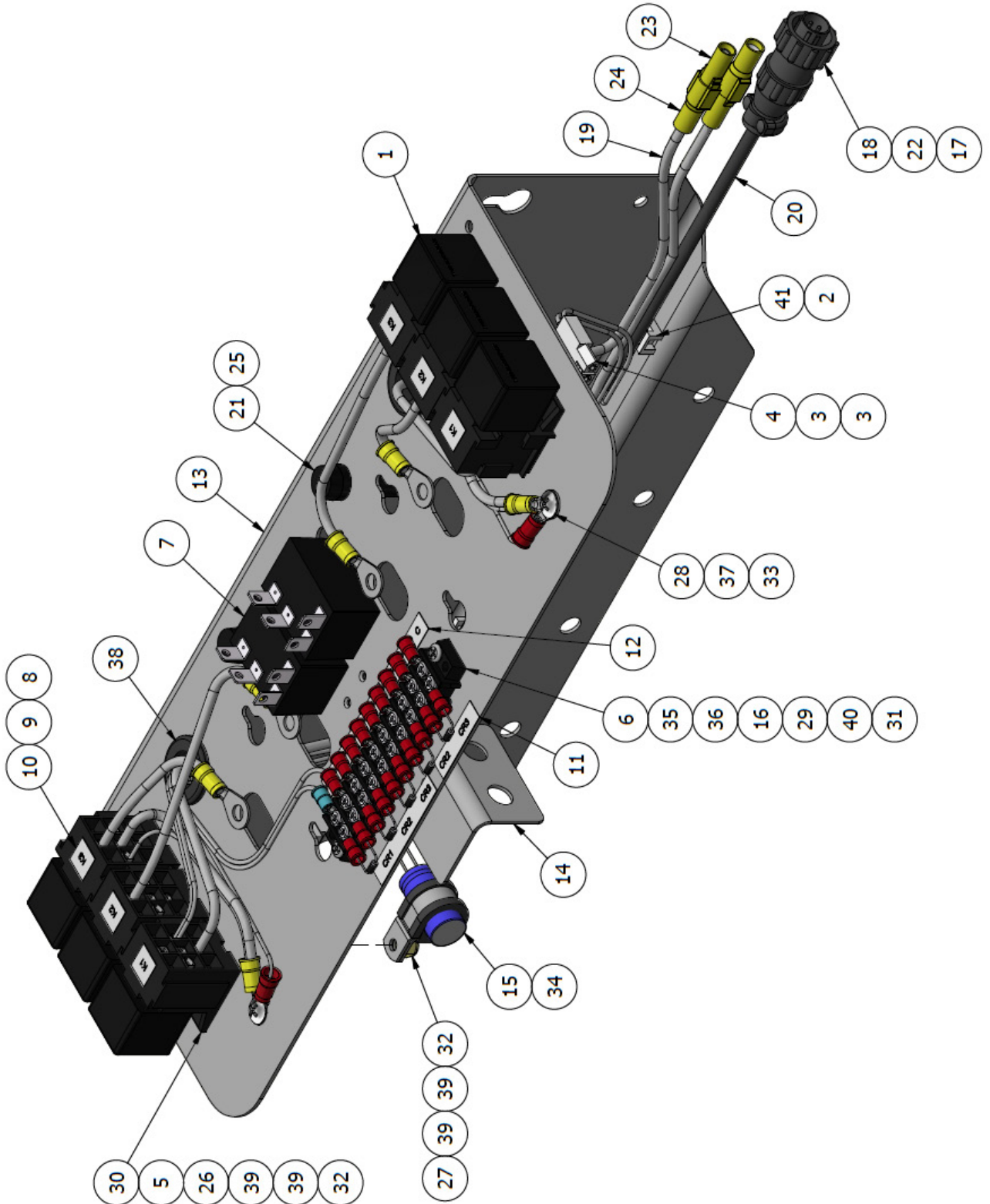
BIDIRECTIONAL HYDRAULIC PUMP ASSEMBLY POST SERVICE LETTER 219



ITEM	QTY	PART NO.	PART DESCRIPTION
-	1	1011436	ASSEMBLY, HYDRAULIC POWER PACK
1	4	02-09-2118	PIN, CRIMP MALE, 1/8" DIA
2	2	03-09-2022	CONNECTOR PLUG, FEMALE
3	2	1011062	ASSEMBLY, PLUG, PRESSURE SWITCH PORT
4	1	1011359	ASSEMBLY, HYDRAULIC PUMP RESERVOIR
4.1	1	1192K17	LIQUID LEVEL INDICATOR, 4"
4.2	1	6A3-2199	PLACARD, OIL LEVEL
4.3	1	8631T24	BREATHER VENT, WITH SPLASH GUARD
4.4	2	MS21044N8	NUT, LOCKING, REGULAR HEIGHT, 1/2-20 UNF
4.5	2	NAS1149D0832J	WASHER, 0.515 ID, 0.032 THK, ALUMINUM
4.6	8	NAS1473A08	NUT PLATE, SEALED
5	4	1011361-06	ASSEMBLY, HOSE, PUMP TO TEE
6	1	1011435	ASSEMBLY, PLATE, MOUNT, HYDRAULIC POWER PACK
7	2	4061T199	SQUARE PROFILE, O-RING, 3.5" I.D., .094 THK
8	2	AN804-4D	TEE FITTING
9	1	AN816-4-4D	NIPPLE, FLARED TUBE AND PIPE THREAD
10	2	AN914-1D	ELBOW, 90 DEGREES, INTERNAL/EXTERNAL PIPE
11	4	AN919-3D	FITTING, REDUCER
12	2	AN924-4D	JAM NUT
13	2	GPP1250-40	PRESSURE SWITCH
14	4	MS16997-96	SOCKET HEAD CAP SCREW
15	4	MS25036-157	RING TERMINAL, #10 STUD, 10-12 AWG, YELLOW
16	1	MS27769D3	PLUG, PIPE, COUNTERSINK HEX HEAD
17	4	MS28775-013	"O" RING, HYDRAULIC
18	8	MS35206-252	SCREW, MACHINE, PAN HEAD
19	4	MS35338-46	WASHER, SPLIT
20	4	NAS1149F0432P	WASHER, 0.265 ID, 0.032 THK, STEEL
21	2	NAS1149F0763P	WASHER, 0.453 ID, 0.063 THK, STEEL
22	8	NAS1149FN832P	WASHER, 0.174 ID, 0.032 THK, STEEL
23	2	YBZS- D0.63W2T100K/ UVZOT2	HYDRAULIC POWER PACK, 24VDC, .64 PUMP

BIDIRECTIONAL MOUNT PLATE HYDRAULIC POWER PACK ASSEMBLY

POST SERVICE LETTER 219

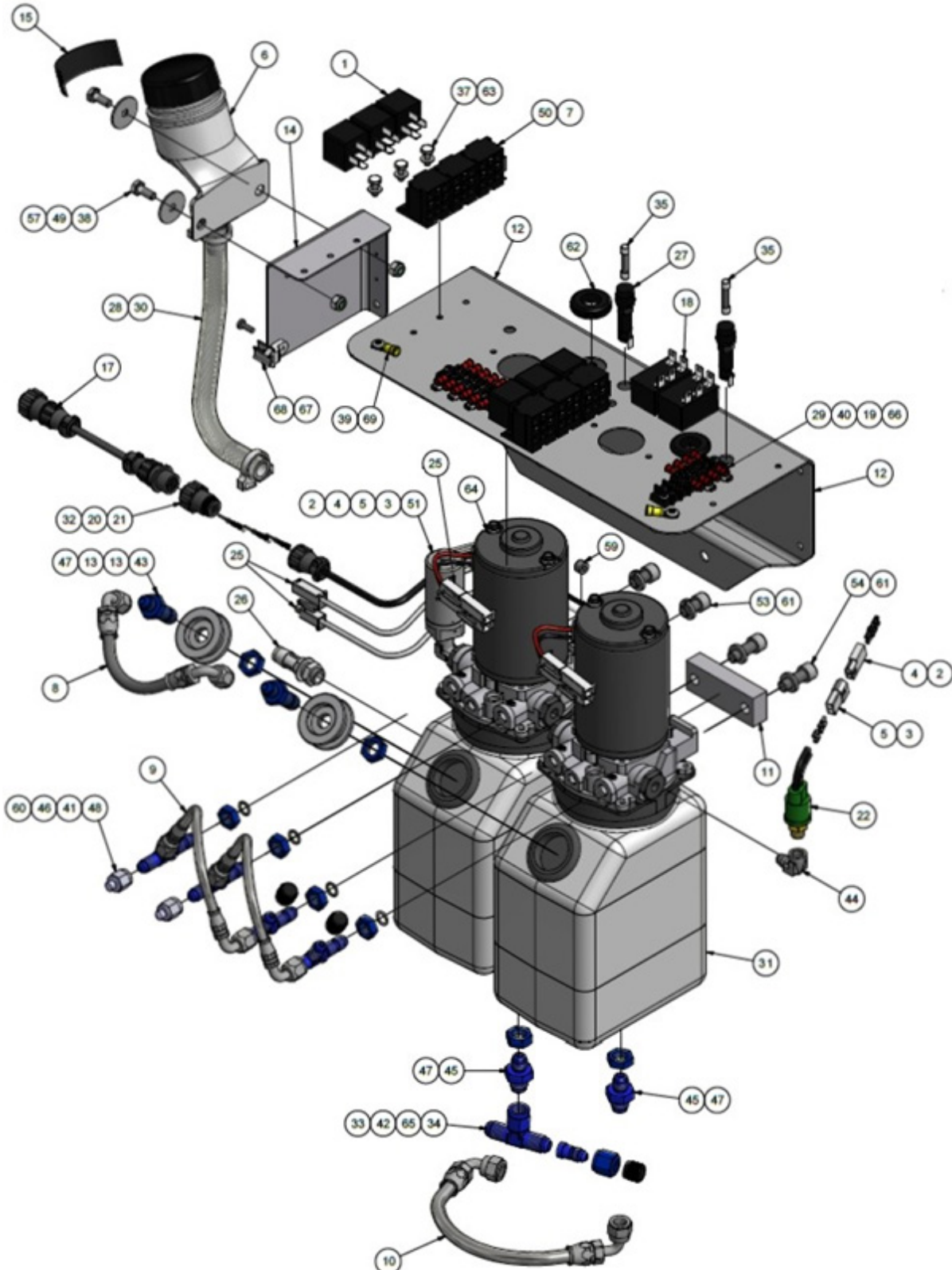


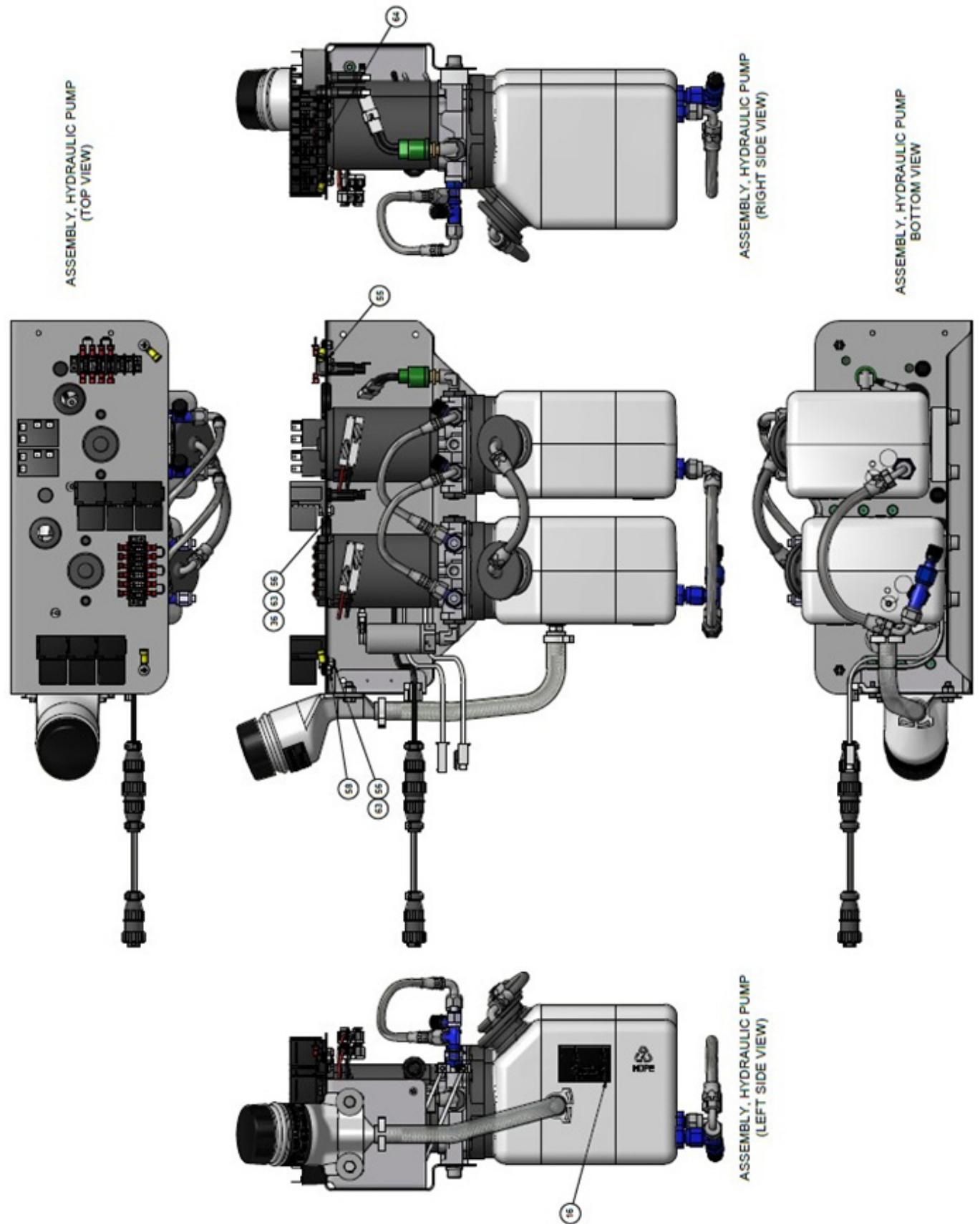
ITEM	QTY	PART NO.	PART DESCRIPTION
-	1	1011435	ASSEMBLY, PLATE, MOUNT, HYDRAULIC POWER PACK
1	6	0-332-209-211	RELAY, 24V, 5 PRONG
2	4	01692-0410	RIVET, POP, 1/8" DIA, 0.031 -0.187 GRIP, LARGE FLANGE
3	4	02-09-1104	PIN, CRIMP FEMALE, 1/8" DIA
4	2	03-09-1022	CONNECTOR PLUG, MALE, 2 CONN.
5	30	1-901-355-917	TERMINAL
6	1	10-140	TERMINAL BLOCK, 10 CONNECTOR
7	1	1005043	TIMER RELAY HARNESS
8	2	1009143-01	PLACARD, K1 INDICATOR
9	2	1009143-02	PLACARD, K2 INDICATOR
10	2	1009143-03	PLACARD, K3 INDICATOR
11	2	1009144-01	PLACARD, CR INDICATOR
12	2	1009144-02	PLACARD, AC INDICATOR
13	1	1011433	PLATE, MOUNT, HYDRAULIC PUMP
14	1	1011434	BRACKET, HYDRAULIC FITTINGS
15	2	1011798	ASSEMBLY, CAPACITOR
16	5	1N4004	DIODE, 2-1/2"
17	1	206062-3	CLAMP, CABLE, CPC SIZE 11
18	1	206429-1	PLUG, MAL, CPC SIZE 1, 4 PIN
19	12 FT	22759-16-12-9	WIRE, 12 AWG, WHITE
20	16 FT	22759-16-20-9	WIRE, 20 AWG, WHITE
21	2	3453LF2A	FUSE HOLDER
22	3	66099-4	PIN, MALE, 1/16 DIA, CRIMP
23	2	73F-250-32-NL	CONNECTOR, FEMALE, 10-12 AWG, FULLY INSULATED
24	2	73M-250-32-NL	CONNECTOR, MALE, 10-12 AWG, FULLY INSULATED
25	2	AGC-1	FUSE, 250V, (S2565-1)
26	4	AN3-4A	BOLT, 10-32, 0.125 GRIP, UNDRILLED, STEEL
27	2	AN3-5A	BOLT, 10-32, 0.25 GRIP, UNDRILLED, STEEL
28	2	AN526-1032R6	SCREW, MACHINE, TRUSS HEAD
29	2	AN526-632R10	SCREW
30	6	BR05-FW	SOCKET, 5 PRONG, PLASTIC
31	2	MS21044N06	NUT, LOCKING, REGULAR HEIGHT, 6-32 UNC
32	6	MS21044N3	NUT, LOCKING, REGULAR HEIGHT, 10-32 UNF
33	2	MS21045-3	NUT, SELF LOCKING
34	2	MS21919WDG10	CLAMP, LOOP, CUSHIONED, 5/8 TUBE OD
35	19	MS25036-102	RING TERMINAL, #6 STUD, 16-22 AWG, RED
36	1	MS25036-106	RING TERMINAL, #6 STUD, 16-14 AWG
37	2	MS25036-112	RING TERMINAL, #10 STUD, 10-12 AWG, YELLOW
38	2	MS35489-17	GROMMET, RUBBER
39	12	NAS1149F0332P	WASHER, 0.203 ID, 0.032 THK, STEEL
40	2	NAS1149FN632P	WASHER

PARTS MANUAL
WIPLINE 7000 FLOATS

ITEM	QTY	PART NO.	PART DESCRIPTION
41	4	TM2S6-M	TIE CLIP

BIDIRECTIONAL HYDRAULIC PUMP ASSEMBLY PRE SERVICE LETTER 219



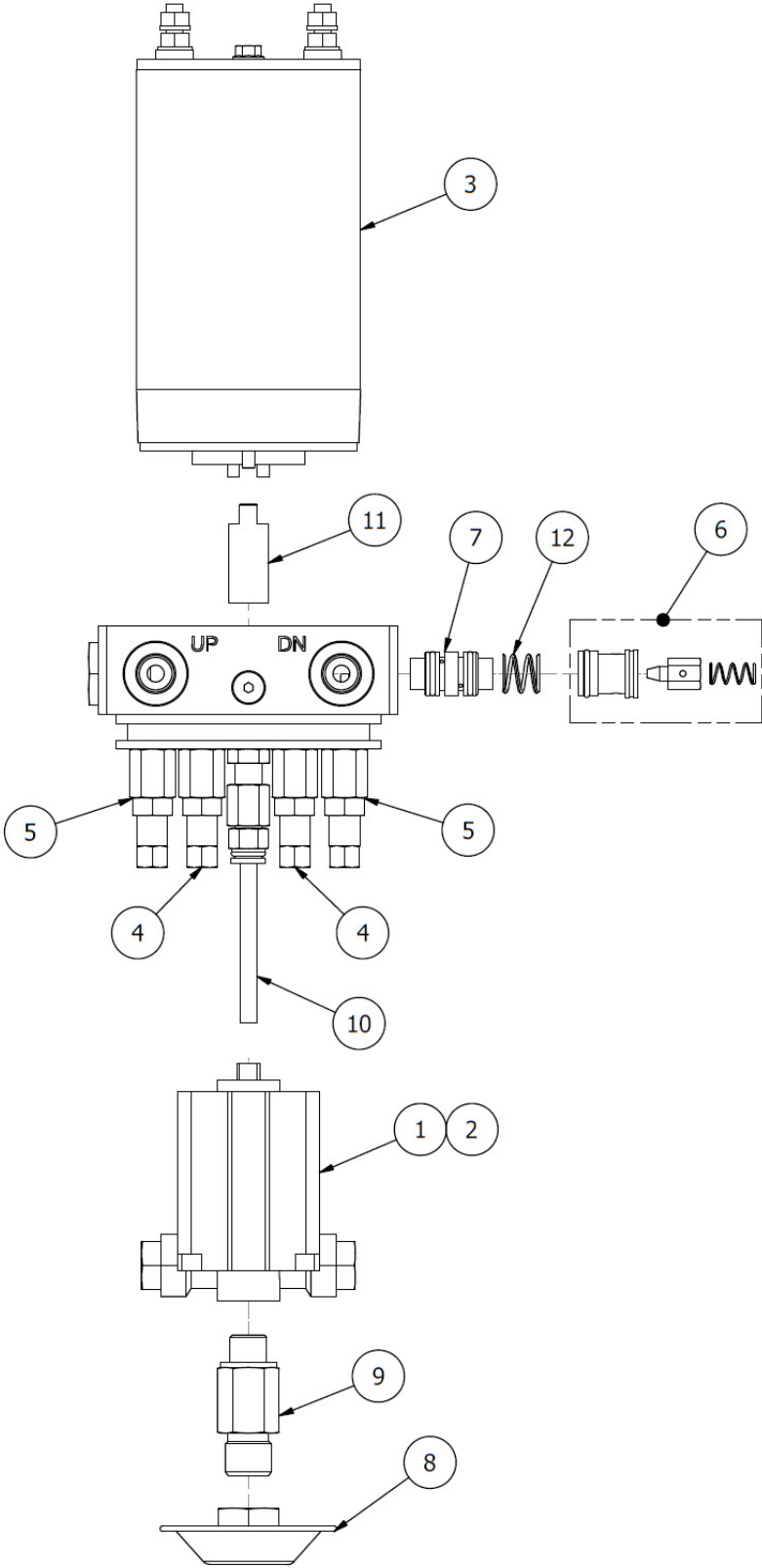


ITEM	QTY	PART NO.	PART DESCRIPTION
1	6	0-332-209-211	RELAY, 24V, 5 PRONG
2	4	02-09-1104	PIN, CRIMP FEMALE, 1/8" DIA
3	4	02-09-2118	PIN, CRIMP MALE, 1/8" DIA
4	2	03-09-1022	CONNECTOR PLUG, MALE, 2 CONN.
5	2	03-092022	CONNECTOR PLUG, FEMALE
6	1	066023	FILLER SPOUT
7	30	1-901-355-917	TERMINAL
8	1	1004089-16	HYDRAULIC HOSE, RESERVOIR TO RESERVOIR, TOP
9	2	1004089-17	HYDRUALIC HOSE ASSEMBLY
10	1	1004089-18	HYDRAULIC HOSE
11	1	1004390	SPACER, MOUNT, HYDRAULIC PUMP
12	1	1004391	PLATE, MOUNT, HYDRAULIC PUMP
13	4	1004514	RETAINER, HYDRAULIC TANK VENT
14	1	1004589	HYDRAULIC FILLER BRACKET, KODIAK
15	1	1004663-1	PLACARD, HYDRAULIC PUMP, FILL LOCATION
16	1	1004663-2	PLACARD, HYDRAULIC PUMP, FLUID LEVEL
17	1	1004949	CABLE, DIODE ADAPTOR
18	1	1005043	TIMER RELAY HARNESS
19	5	1N4004	DIODE, 2-1/2"
20	1	206062-3	CLAMP, CABLE, CPC SIZE 11
21	1	206429-1	PLUG, MALE, CPC SIZE 1, 4 PIN
22	1	20PS001EB 700W500W	PRESSURE SWITCH
23	12 FT	22759-16-12-9	WIRE, 12 AWG, WHITE
24	16 FT	22759-16-20-9	WIRE, 20 AWG, WHITE
25	1	73F-250-32-NL	CONNECTOR, FEMALE, 10-12 AWG
	1	73M-250-32-NL	CONNECTOR, MALE, 10-12 AWG
26	1	2974K861	FITTING
27	2	3453LF2A	FUSE HOLDER
28	2	57134	CLAMP
29	2	6-140	TERMINAL BLOCK, 6 CONNECTOR
30	1 FT	60703	BRAIDED TUBING
31	2	646516	HYDRAULIC PUMP WITH RESERVOIR
32	3	66099-4	PIN, MALE, 1/16 DIA, CRIMP
33	3	820-01291	CAP
34	1	925106ERL	FITTING
35	2	AGC-1	FUSE, 250V, (S2565-1)
36	3	AN3-3A	BOLT
37	3	AN3-4A	BOLT
38	2	AN4-5A	BOLT
39	2	AN526-1032R6	SCREW, MACHINE

PARTS MANUAL
WIPLINE 7000 FLOATS

ITEM	QTY	PART NO.	PART DESCRIPTION
40	4	AN526-632R10	SCREW
41	4	AN804-4D	TEE FITTING
42	1	AN818-6D	NUT - COUPLING
43	2	AN832-5D	UNION -5D
44	2	AN914-1D	ELBOW,90°, INTERNALEXTERNAL PIPE
45	2	AN919-7D	FITTING, REDUCER
46	4	AN924-4D	JAM NUT
47	4	AN924-5D	JAM NUT
48	2	AN929-4	CAP
49	2	AN970-4	WASHER,.265 ID, 1.125 OD, .063 THK
50	6	BR05FW	SOCKET, 5 PRONG, PLASTIC
51	1	GPP1250-23	PRESSURE SWITCH
52	2FT	HS105-3/16-0	HEAT SHRINK, TUBING, BLACK
53	2	MS16997-96	SOCKET HEAD CAP SCREW
54	2	MS16997-99	SOCKET HEAD CAP SCREW
55	4	MS21044N06	NUT
56	6	MS21044N3	NUT
57	2	MS21044N4	NUT
58	2	MS21045-3	NUT, SELF LOCKING
59	2	MS27769-2	PLUG
60	4	MS28775-012	"O" RING
62	2	MS35489-19	GROMMET
61	4	MS35338-46	WASHER, SPLIT
63	12	NAS1149F0332P	WASHER
64	8	NAS1149F0363P	WASHER
65	1	NAS1564D6-4	FITTING, REDUCER
66	20	R-3	RING CONNECTOR
67	1	S1021Z8-8	SCREW
68	1	S2034-1	MOUNT
69	2	Y-4	RING CONNECTOR

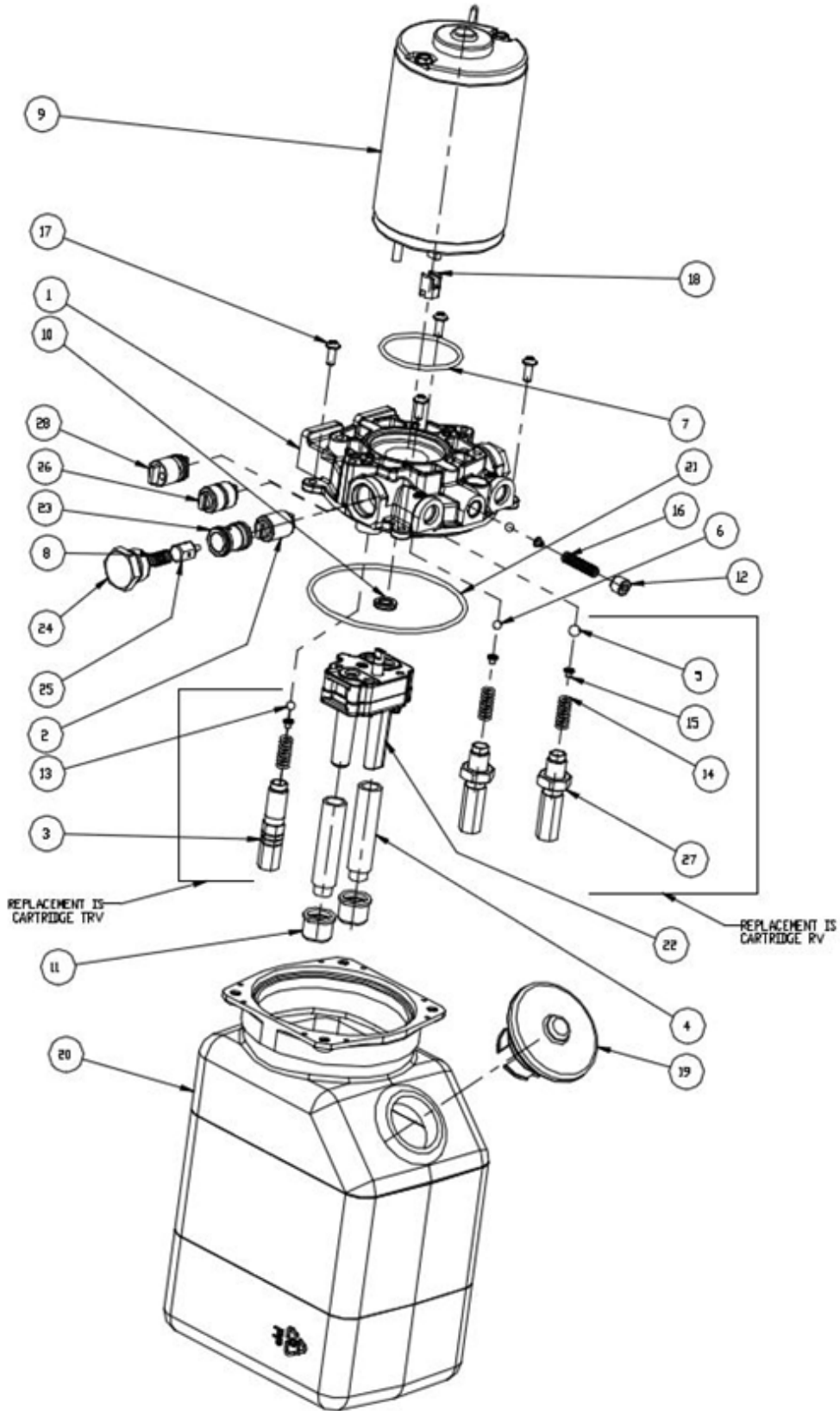
HYDRAULIC PUMP OVERVIEW POST SERVICE LETTER 219



PARTS MANUAL
WIPLINE 7000 FLOATS

ITEM	QTY	PART NO.	PART DESCRIPTION
1	1	202-0003	BI-DIRECTIONAL PUMP, 0.64 ML/R
2	1	299-0008	SEAL KIT, BI-DIRECTIONAL GEAR PUMP
3	1	610-0017	DC MOTOR, 24V, .8 KW
4	2	631-0005	PRESSURE RELIEF VALVE
5	2	631-0006	THERMAL RELIEF VALVE
6	2	632-0004	ASSEMBLY, PILOT OPERATED CHECK VALVE
7	1	637-0024	SHUTTLE VALVE
8	1	682-0019	FILTER, PICKUP TUBE, HYDRAULIC PUMP
9	1	682-0055	SUCTION HEX TUBE
10	1	682-0056	RETURN TUBE
11	1	683-0011	COUPLING, MOTOR TO PUMP
12	2	685-0012	SPRING, SHUTTLE VALVE
13	1	687-0001	SEAL KIT, RESERVIOR O-RING, PILOT OPERATED RELIEF VALVE O-RING, THERMAL AND PRESSURE RELIEF VALVE O-RING (NOT SHOWN)

HYDRAULIC PUMP OVERVIEW PRE SERVICE LETTER 219

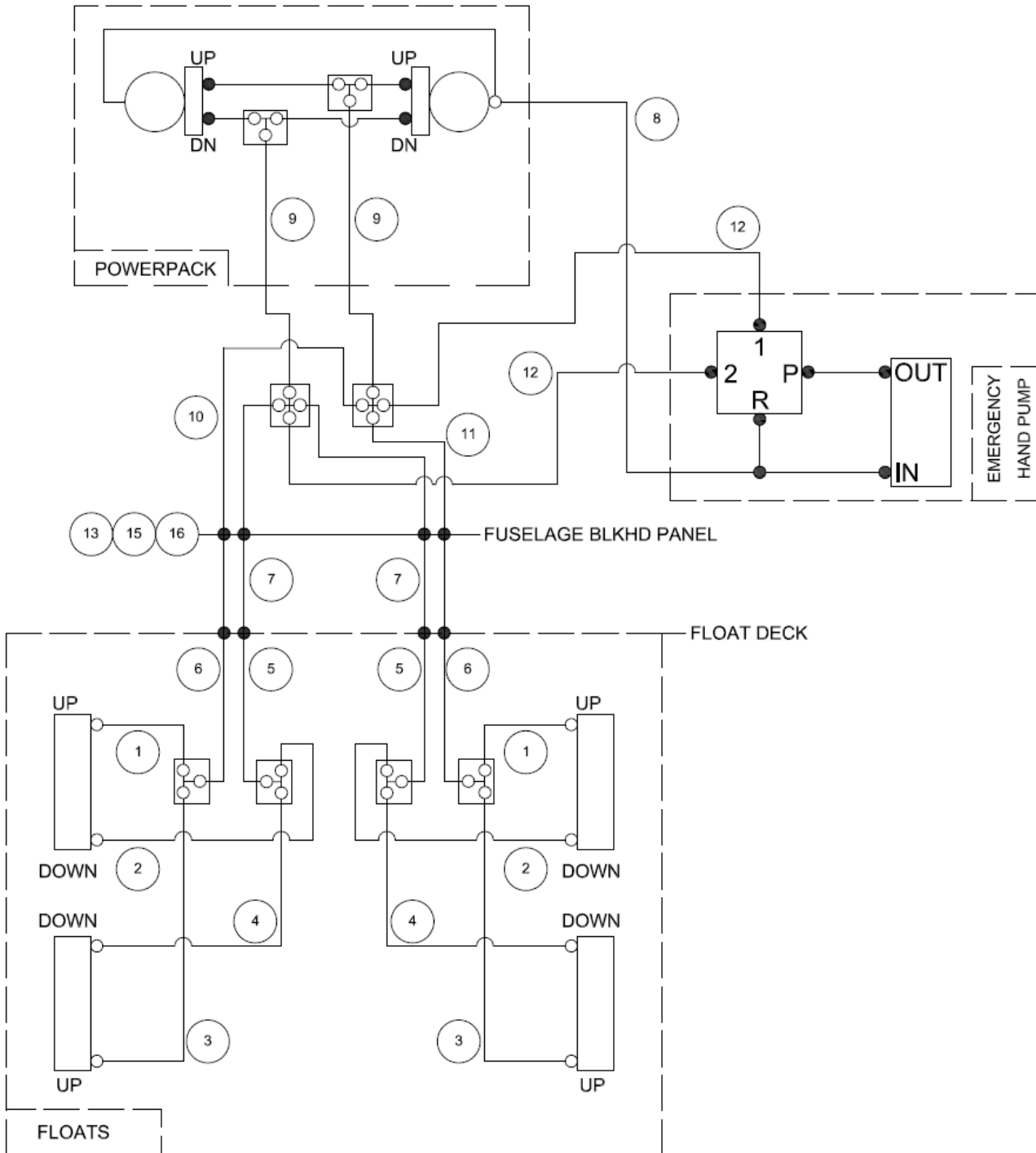


PARTS MANUAL
WIPLINE 7000 FLOATS

ITEM	QTY	PART NO.	PART DESCRIPTION
-	1	648487	PUMP HYDRAULIC, REVERSIBLE, 24VDC
1	1	205882	ADAPTER
3	-	N/A	PART OF THERMAL RV CARTRIDGE
4	2	364528	SUCTION EXTENSION TUBE
5	-	N/A	PART OF RELIEF VALVE CARTRIDGE
6	-	N/A	PART OF RELIEF VALVE CARTRIDGE
7	1	405673	MOTOR O-RING
8	2	410462*	SPRING (POPPET)
9	1	411165	MOTOR, 24 VDC, PERM. MAGNET
10	1	410512	SHAFT SEAL
11	2	410521*	SUCTION STRAINER
12	1	410530	PLUG FOR BACK PRESSURE VALVE
13	-	N/A	PART OF RELIEF VALVE CARTRIDGE
14	-	N/A	PART OF RELIEF VALVE CARTRIDGE
15	-	N/A	PART OF RELIEF VALVE CARTRIDGE
16	1	411874	SPRING FOR BACK PRESSURE VALVE
17	4	413222	SCREW, RESERVOIR MOUNTING
18	1	413528	COUPLING
19	1	413742	BREATHER CAP RESERVOIR
20	1	413922	RESERVOIR, Q, 2 LITER
21	1	414063	O-RING, RESERVOIR SEAL
22	1	635354	PUMP, .032, REVERSIBLE, COLD TEMP.
22A	2	406187	SCREW, PUMP MOUNTING (NOT SHOWN)
23	2	773763	CHECK SEAT
24	2	774550*	HEX PLUG RETAINER, WITH 1/8" NPSF CONNECTION
25	2	773776*	POPPET
26	-	N/A	N/A
27	-	N/A	PART OF RELIEF VALVE CARTRIDGE
28	1	774376	SPOOL, DOUBLE BACK PRESSURE LD
-	2	704522	THERMAL RV CARTRIDGE – SPECIFY PRESSURE
-	2	704517	RELIEF VALVE CARTRIDGE – SPECIFY PRESSURE SETTING OF 1400 +150/-0 PSI FOR UP SIDE: SPECIFY 1100 +150/-0 PSI DN SIDE
-	-	634412	SEAL KIT (FITS ALL)

* Reference Wipaire drawing 1011065 for alternate part numbers.

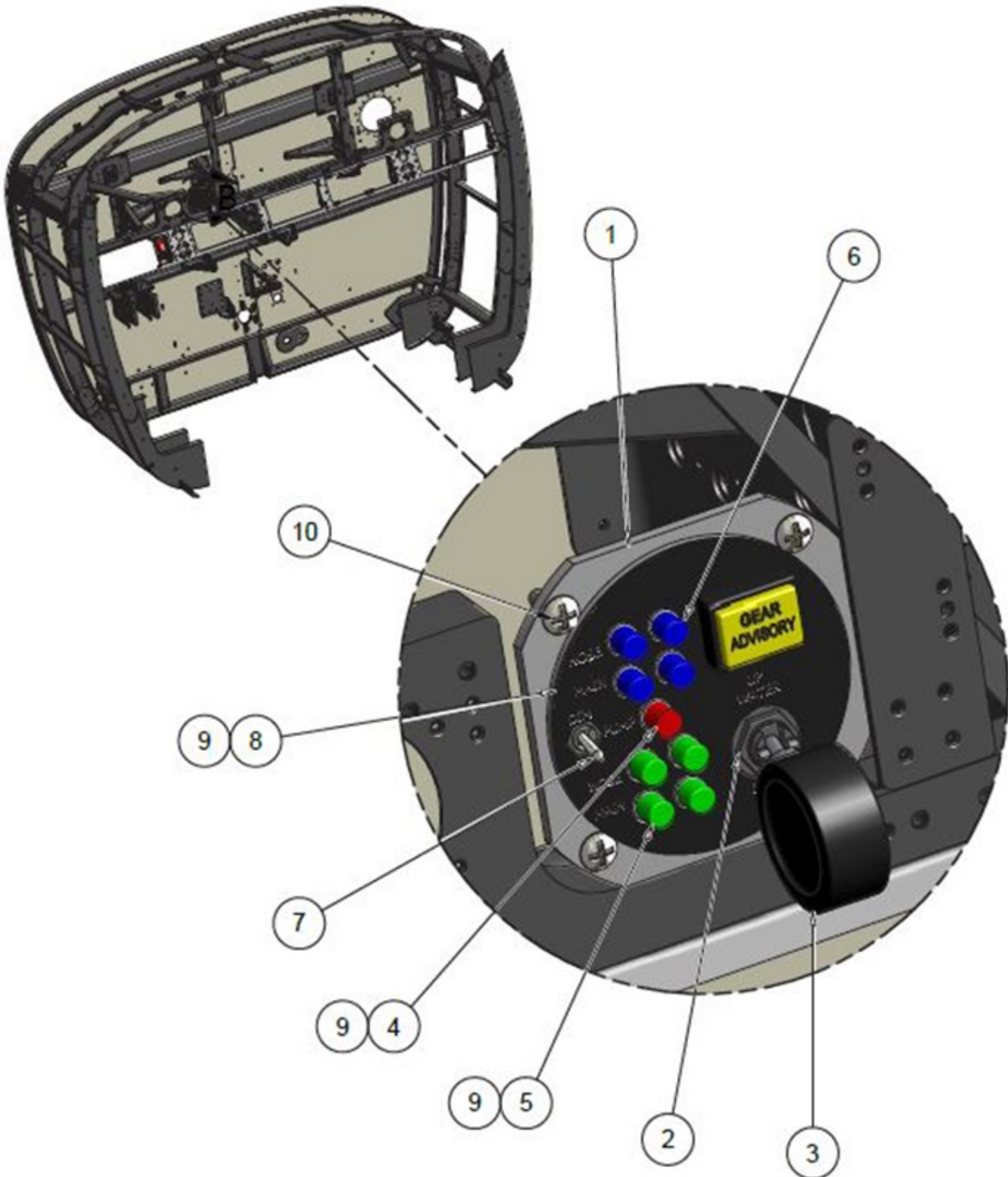
HYDRAULIC SCHEMATIC POST SERVICE LETTER 219



PARTS MANUAL
WIPLINE 7000 FLOATS

ITEM	QTY	PART NO.	PART DESCRIPTION
1	2	1004089-01	ASSEMBLY, HYDRAULIC LINE, NOSE, UP
2	2	1004089-02	ASSEMBLY, HYDRAULIC LINE, NOSE, DOWN
3	2	1004089-03	ASSEMBLY, HYDRAULIC LINE, MAIN, UP
4	2	1004089-04	ASSEMBLY, HYDRAULIC LINE, MAIN, DOWN
5	2	1004089-05	ASSEMBLY, HYDRAULIC LINE, FLOAT DECK TO MANIFOLD, DOWN
6	2	1004089-06	ASSEMBLY, HYDRAULIC LINE, FLOAT DECK TO MANIFOLD, UP
7	4	1004089-07	ASSEMBLY, HYDRAULIC LINE, FUSELAGE TO FLOAT DECK
8	1	1004089-19	ASSEMBLY, HYDRAULIC LINE, RETURN TO HYDRAULIC PUMP
9	2	1004089-20	ASSEMBLY, HYDRAULIC LINE, HYDRAULIC PUMP TO 4 WAY CROSS
10	2	1004089-21	ASSEMBLY, HYDRAULIC LINE, 4 WAY CROSS TO LEFT FLOAT
11	2	1004089-22	ASSEMBLY, HYDRAULIC LINE, 4 WAY CROSS TO RIGHT FLOAT
12	2	1004089-23	ASSEMBLY, HYDRAULIC LINE, 4 WAY CROSS TO HAND PUMP
13	2	1004850	DOUBLER, HYDRAULIC FITTINGS
14	2	AN827-4D	FITTING, 4 WAY CROSS
15	6	AN833-4D	FITTING, BULKHEAD, 90 DEGREE ELBOW
16	6	AN924-4D	NUT

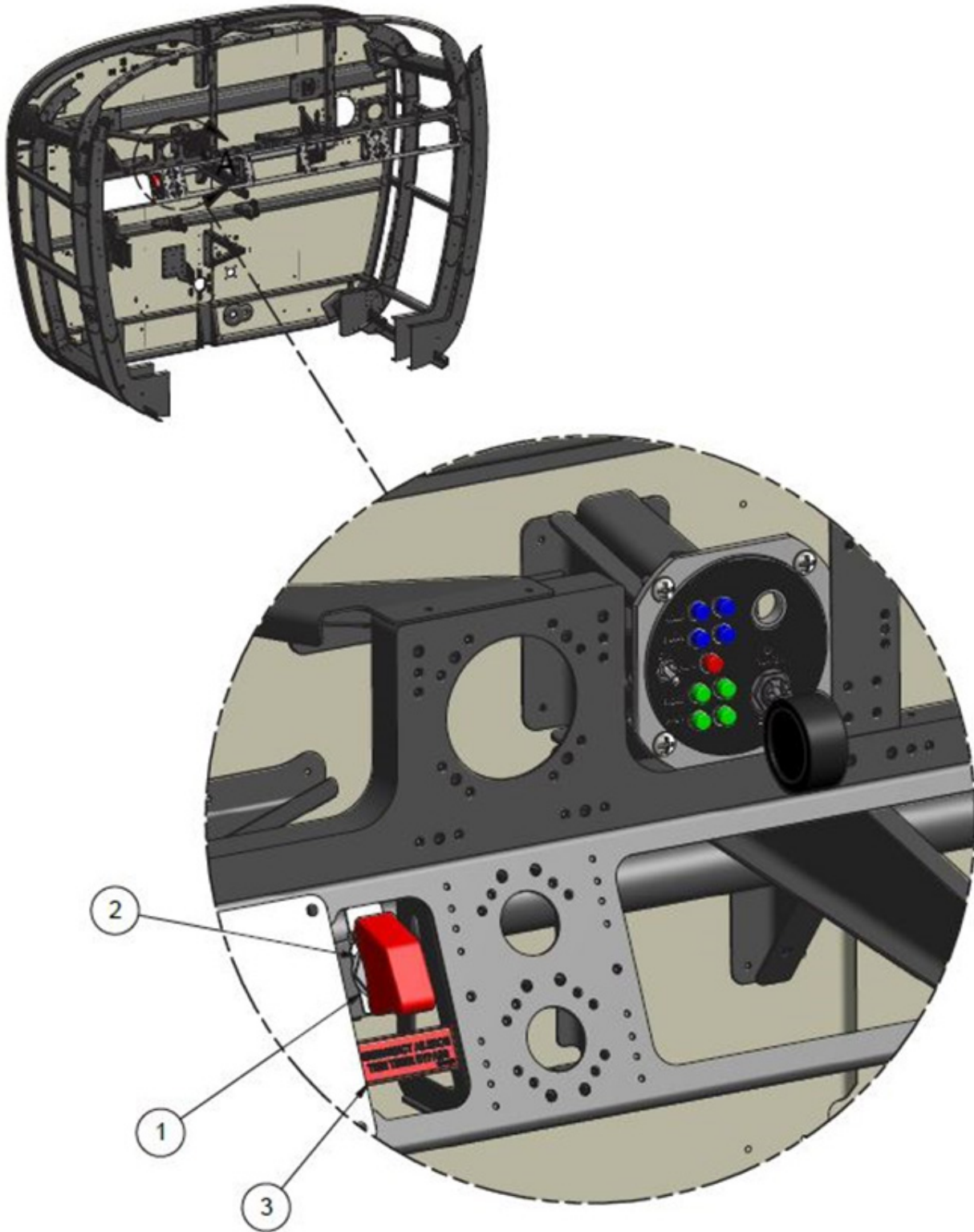
GEAR SELECTOR ASSEMBLY



PARTS MANUAL
WIPLINE 7000 FLOATS

ITEM	QTY	PART NO.	PART DESCRIPTION
-	1	21A11000-019	INDICATOR ASSEMBLY, GEAR CONTROL, 24V
1	1	21A11179-001	BLOCK, GEAR CONTROL
2	1	8857K44	SWITCH, GEAR SELECTOR
3	1	21A11259-003	GEAR SWITCH KNOB
4	1	507-3918-1431-600F	INDICATOR LAMP, 28V, RED
5	4	507-3918-1432-600F	INDICATOR LAMP, 28V, GRN
6	4	507-3918-1434-600F	INDICATOR LAMP, 28V, BLU
7	1	A101SYCB	TOGGLE SWITCH, SPDT, ON ON,
8	1	10B3-6202	PLACARD, GEAR SELECTOR, ROUND
9	9	515-0012	SOCKET, GEAR SELECTOR LIGHTS
10	4	AN526-632R8	SCREW, MACHINE, TRUSS HEAD
11	1	4A11000-008	WIRE HARNESS ASSEMBLY, GEAR
12	1	RH-5-180	RESISTOR, 28V, DALE RH5 5W
13	3	R3	TERMINAL, RING , 36, RED
14	5	PLT1M-M	CABLE TIE, SMALL, WHITE
15	A/R	HIXR-3/16	SHRINK WRAP, 3/16, WHITE
16	A/R	HS105-1/2-0	HEAT SHRINK, TUBING
17	A/R	22759-16-20-9	WIRE, 20 AWG, WHITE

AILERON TRIM TIMER BYPASS SWITCH

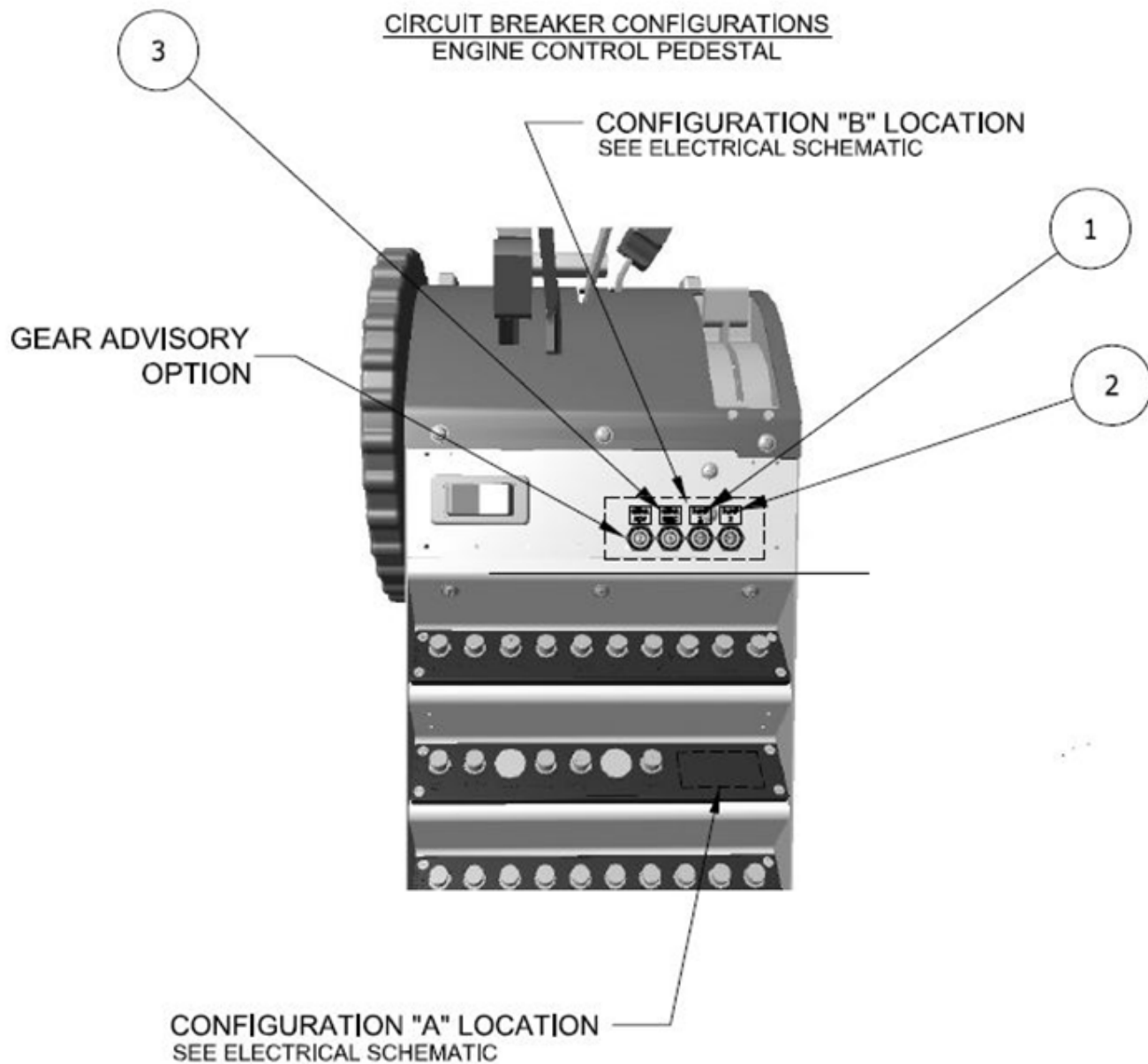


PARTS MANUAL
 WIPLINE 7000 FLOATS

ITEM	QTY	PART NO.	PART DESCRIPTION
-	1	1004634	SWITCH ASSEMBLY, AILERON TRIM TIMER BYPASS
1	1	MS25224-1	GUARD, SWITCH
2	1	MS35058-22	SWITCH, TOGGLE ONE POLE, SEALED TOGGLE
3	1	1004661	PLACARD, KODIAK, EMERGENCY AILERON TRIM
4*	4	35C4915	PIN, MALE, 18-22 AWG
5*	2	94F1671	SOCKET, FEMALE, 18-22 AWG
6*	2	29M9714	SOCKET, FEMALE, 14-18 AWG
7*	1	38C8744	CONNECTOR, 4 PIN, FEMALE
8*	1	38C8730	CONNECTOR, 4 PIN, MALE
9*	2	35149	TERMINAL, RING, #6 , RED 16-22 AWG
10*	A/R	22759-16-20-9	WIRE, 20 AWG, WHITE

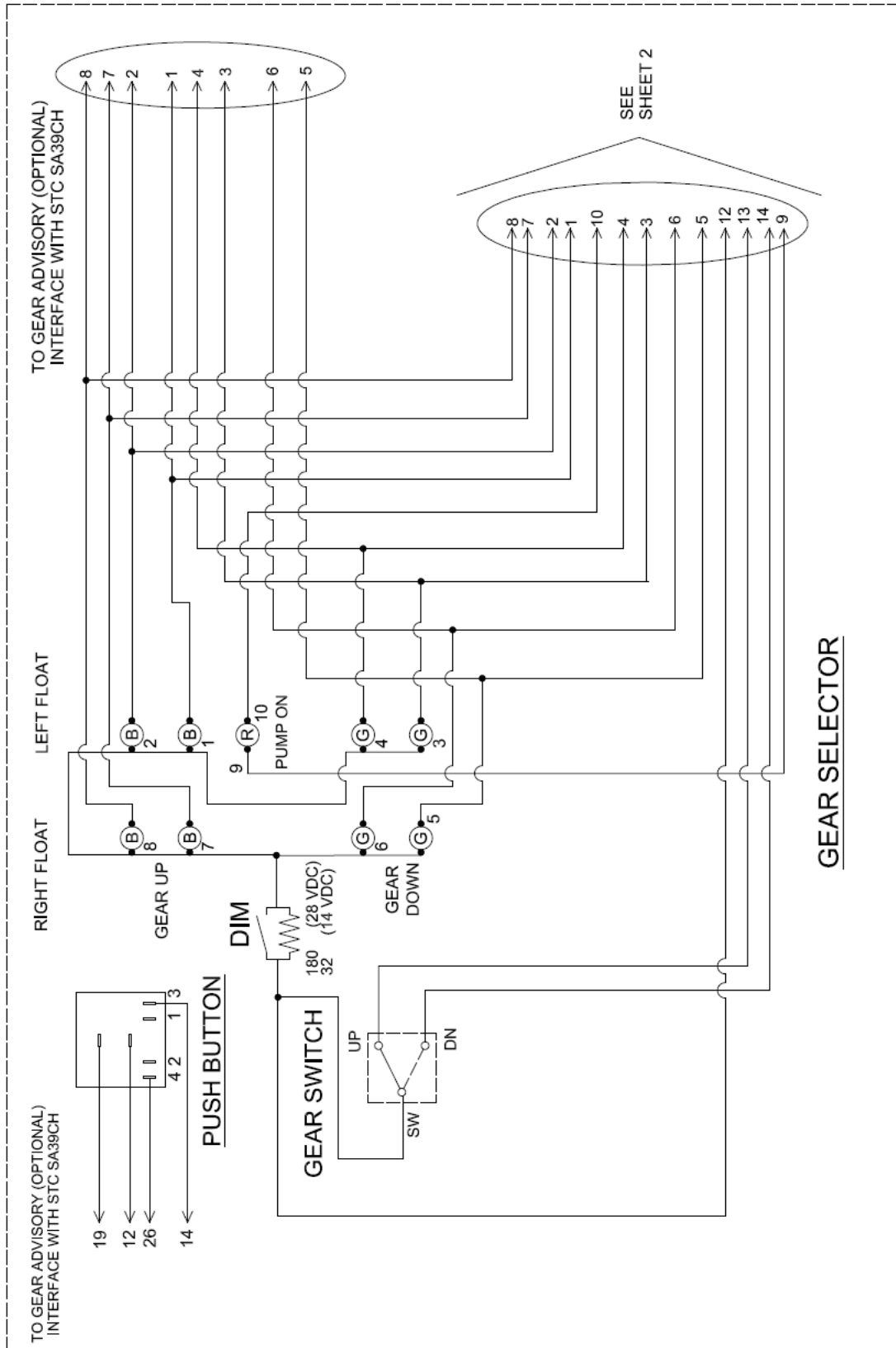
* SEE TRIM TIMER BYPASS SCHEMATIC

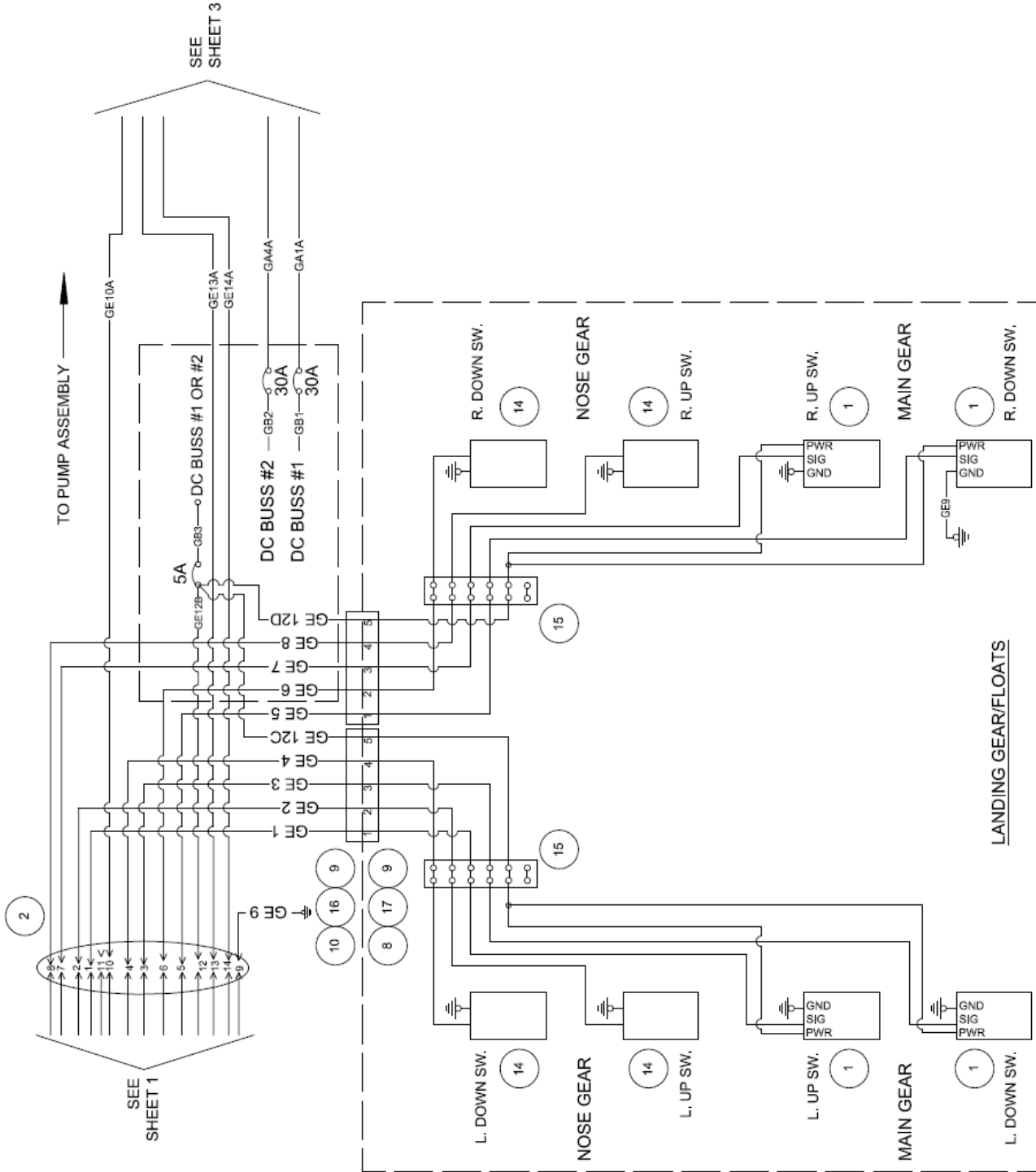
CIRCUIT BREAKER CONFIGURATIONS ENGINE CONTROL PEDESTAL

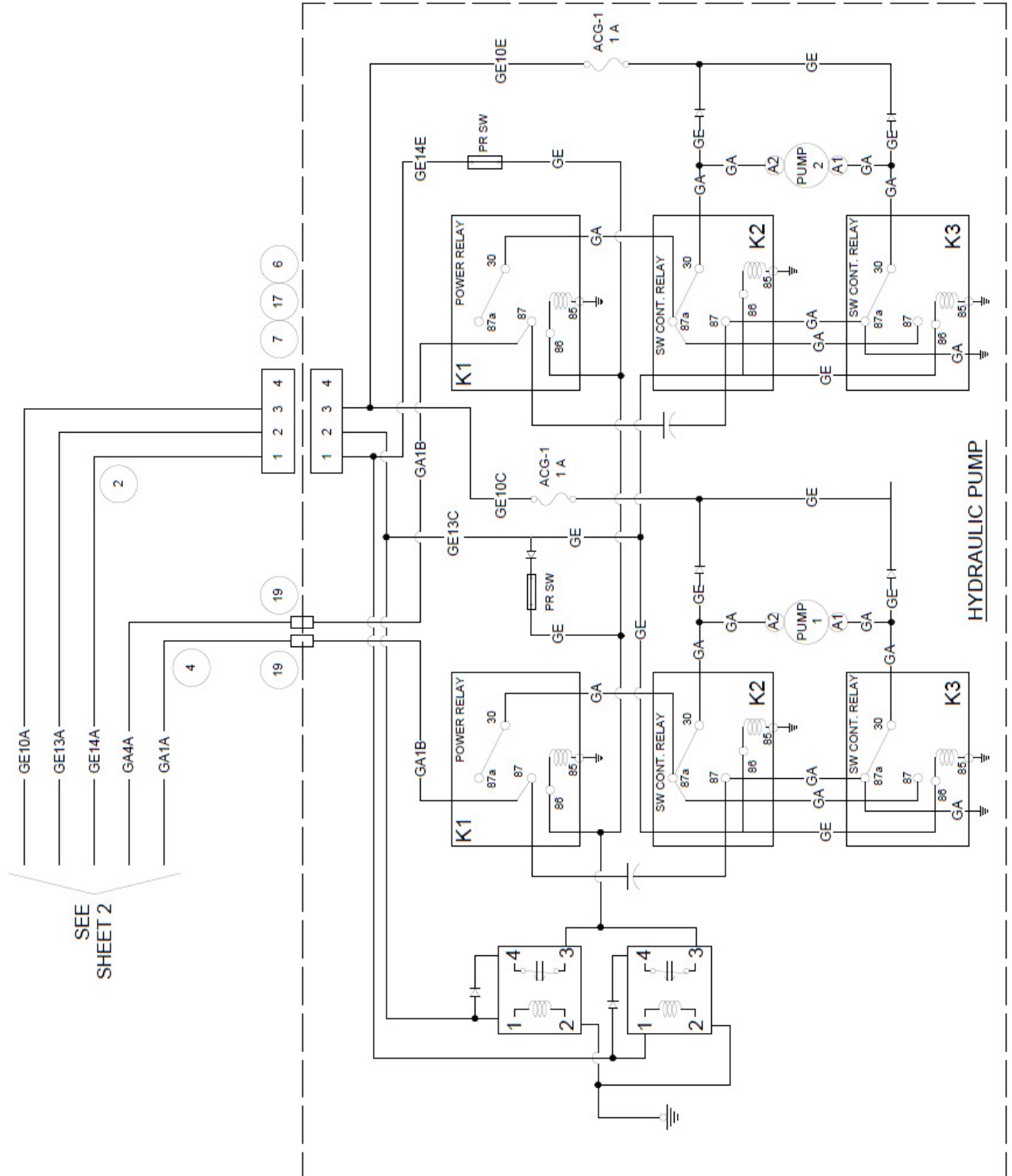


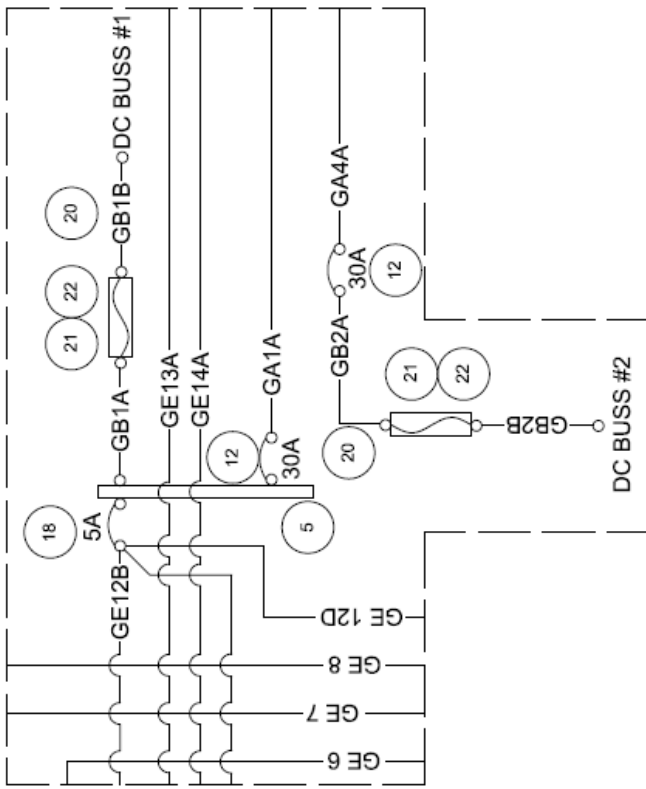
ITEM	QTY	PART NO.	PART DESCRIPTION
1	1	10A3-6509-4	PLACARD, PUMP 1
2	1	10A3-6509-5	PLACARD, PUMP 2
3	1	10A3-6509-1	PLACARD, GEAR SELECTOR

ELECTRICAL SCHEMATICS POST SERVICE LETTER 219

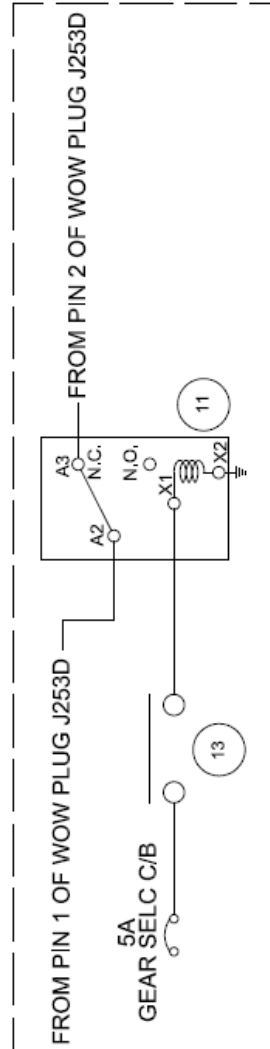






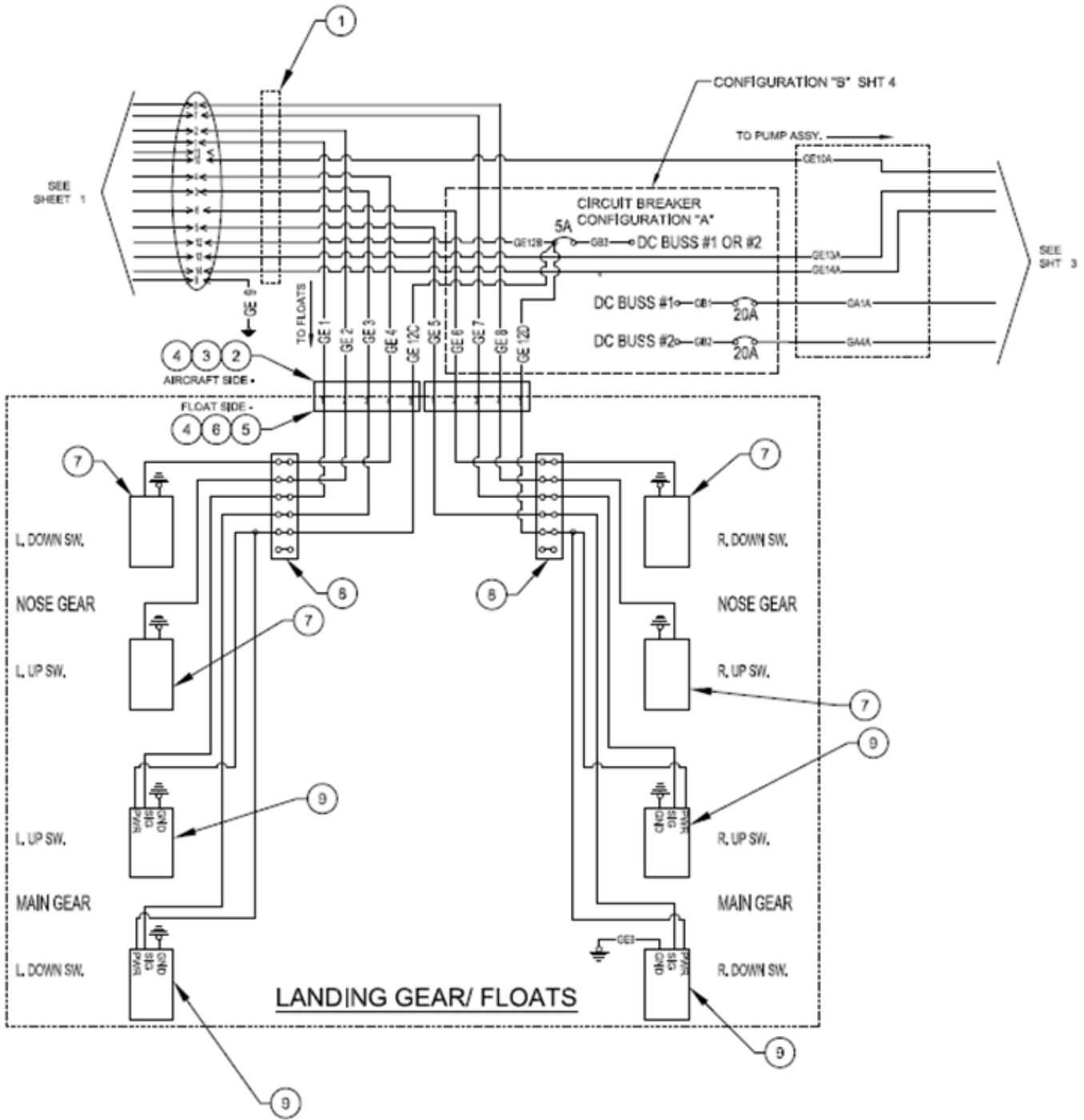


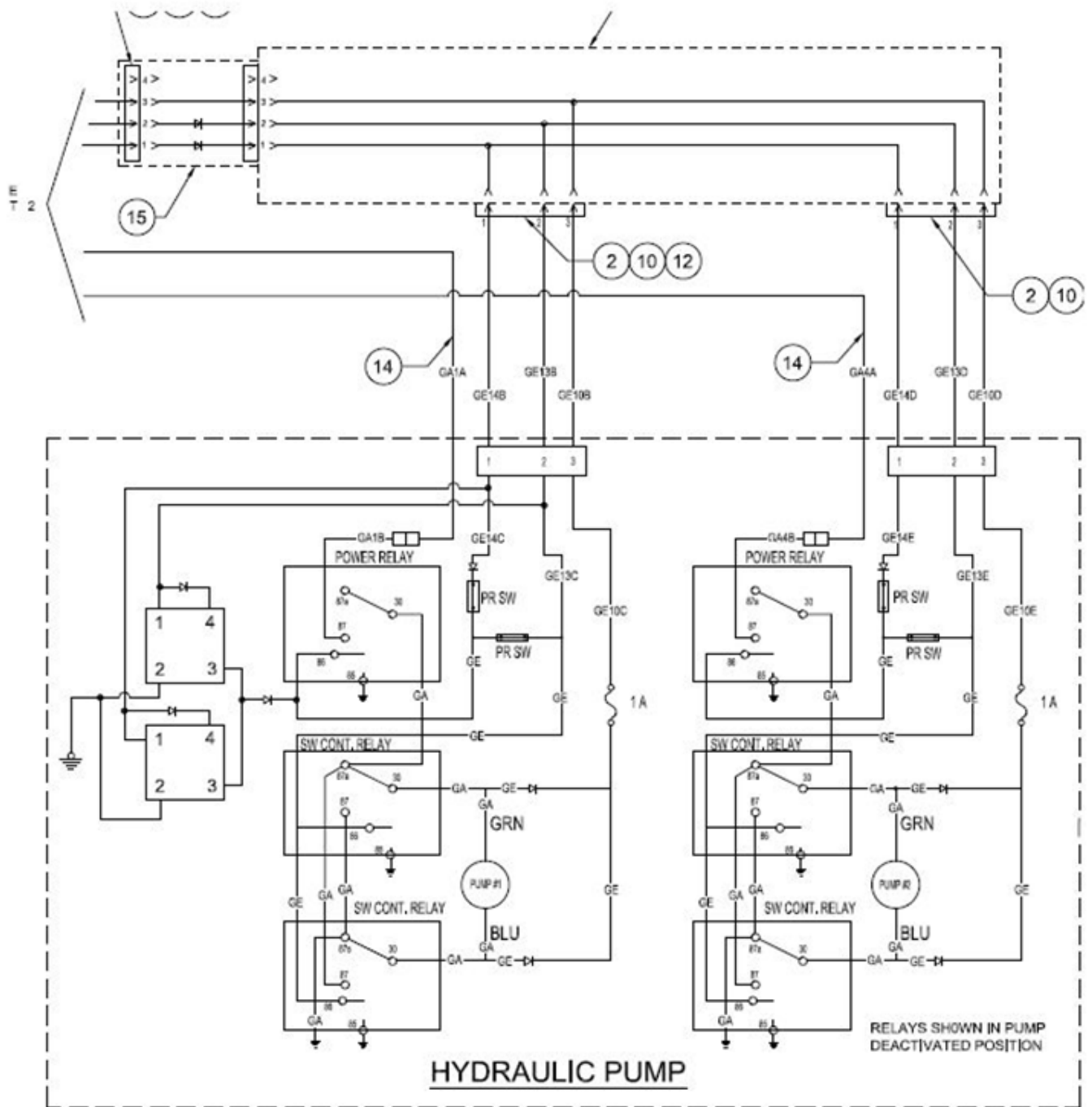
CIRCUIT BREAKER CONFIGURATION "B"
ENGINE CONTROL QUADRANT

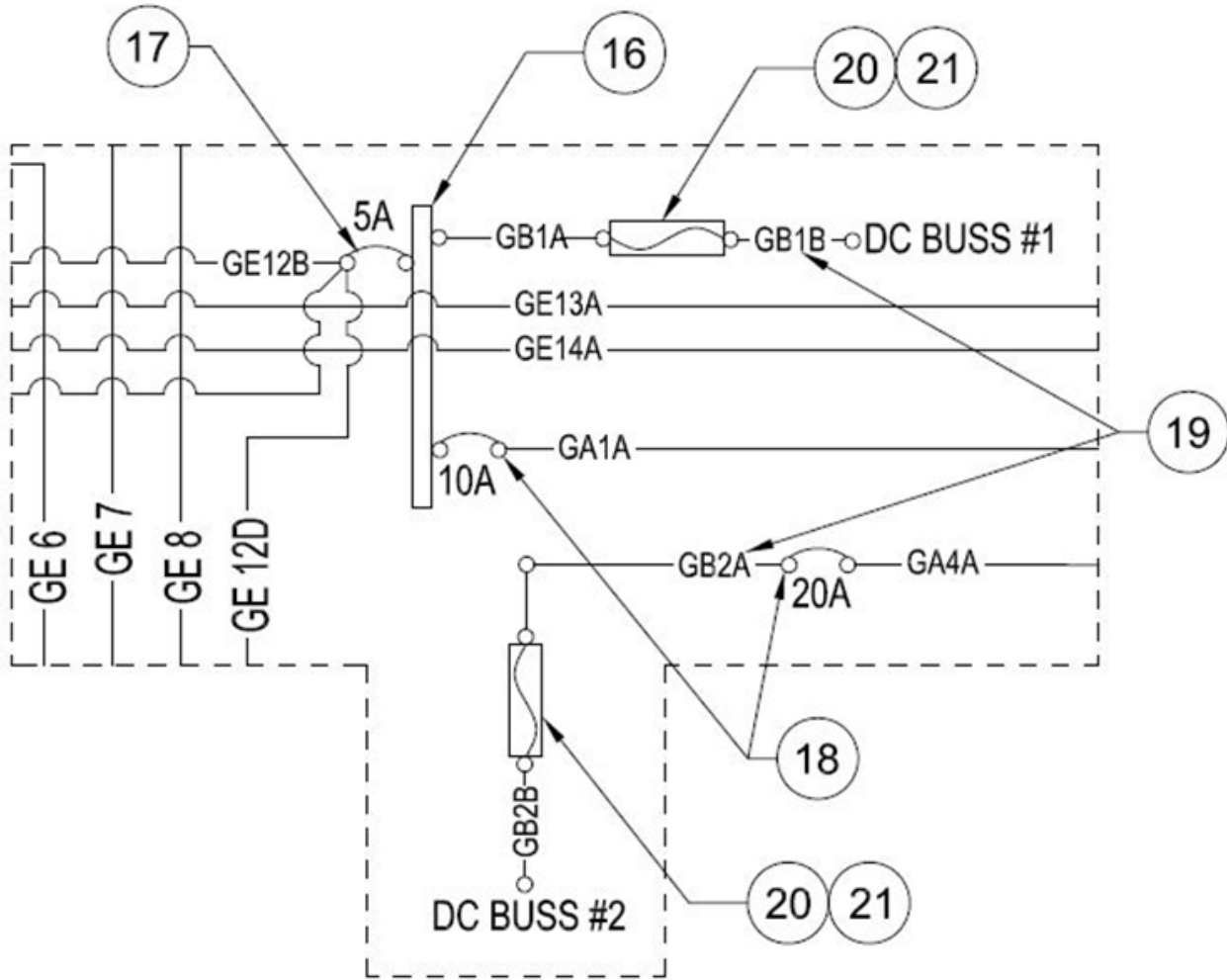


WEIGHT ON WHEELS AIRSPEED SWITCH
S/N 100-0043 TO 100-0066 AND TKS EQUIPPED AIRCRAFT

ITEM	QTY	PART NO.	PART DESCRIPTION
1	4	1004475	PROXIMITY SWITCH
2	1	1004509	WIRE HARNESS, MAIN, KODIAK
3	1	1004634	WIRE HARNESS, AILERON TRIM TIMER BYPASS
4	1	1004635	WIRE HARNESS
5	1	1004830	BUSS BAR
6	1	206062-3	CABLE CLAMP, CPC, SIZE 11
7	1	206430-2	CONNECTOR, CPC, 4 PIN, FEMALE #1
8	2	206708-1	CONNECTOR, CPC, 9 PIN, FEMALE #1
9	4	206966-1	CABLE CLAMP, CPC, SIZE 13
10	2	20705-2	CONNECTOR, CPC, 9 PIN, MALE #1
11	1	3-1617029-2	RELAY, 2 AMP
12	2	3TC7-30	CIRCUIT BREAKER, 30 AMP
13	1	501-G	AIRSPEED SWITCH
14	4	5801	PROXIMITY SWITCH
15	2	6-140	TERMINAL BLOCK, 6 POSITION
16	10	66103-4	CRIMP SOCKET, MALE, 20-24 AWG
17	13	66105-4	CRIMP SOCKET, FEMALE, 24-20 AWG
18	1	7277-2-5	CIRCUIT BREAKER, 5 AMP
19	2	73F-250-32-NL	CONNECTOR, FEMALE, 12-10 AWG
20	A/R	97358	SPLIT LOOM
21	2	AGC-30	FUSE, 30 AMP
22	2	FNY-30	FUSE HOLDER







CIRCUIT BREAKER CONFIGURATION "B"

ITEM	QTY	PART NO.	PART DESCRIPTION
1	1	1004509	KODIAK MAIN HARNESS
2	16	66103-4	CRIMP SOCKET, MALE, 20-24A
3	2	20705-2	CPC FREE HANG, 9 PIN, MALE #1
4	2	206966-1	CPC CABLE CLAMP, SIZE 13, 9 PIN
5	13	66105-4	CRIMP SOCKET, FEMALE, 24-20A
6	2	206708-1	CPC PLUG FEMALE #1, 9 PIN
7	4	59135-020	HAMLIN SWITCH
8	2	6-140	6 POSITION TERMINAL BLOCK
9	4	1004475	PROXIMITY SWITCH
10	3	206062-3	CPC CABLE CLAMP, SIZE 11
11	1	206430-2	CPC PLUG FEMALE #1, 4 PIN
12	2	206429-1	CPC PLUG MALE #1, 4 PIN
13	1	1004473	WIRE HARNESS, Y-CONNECTOR
14	2	1004635	WIRE, SINGLE CONNECTOR
15	1	1004949	CABLE, DIODE ADAPTER
16	1	1004830	BUSS BAR
17	1	7277-2-5	CIRCUIT BREAKER, 5 AMP
18	2	7277-2-20	CIRCUIT BREAKER, 20 AMP
19	A/R	97358	SPLIT LOOM
20	2	AGC-30	FAST ACTING FUSE
21	2	FN-30	FUSE HOLDER
22	1	1004634	WIRE HARNESS, AILERON TRIM TIMER BYP