



WIPLINE FLOATS • SKIS • MODIFICATIONS • AIRCRAFT SALES
AVIONICS • INTERIOR • MAINTENANCE • PAINT REFINISHING



PARTS MANUAL FOR WIPLINE MODEL 8750 FLOATS

Revision L

1700 Henry Ave. - Fleming Field (KSGS), South St. Paul, MN 55075
Ph: 651.451.1205 Fax: 651.457.7858
www.wipaire.com

THIS PAGE INTENTIONALLY LEFT BLANK

LOG OF REVISIONS

Revision	Pages Affected	Description	Date
A-F	All	For previous revision changes, reference Parts Manual for 8750 Floats on Cessna 208 and 208B Revision F part number 1005812.	1/23/2020
G	31, 34, 131-132, 135, 154, 164-165	Added parts list in Assemblies 1004567 and 1004568. Updated Main Gear Oil Bath with Wheels image and parts list. Updated image and parts list for Pulley Cluster Assemblies 1006397 and 1006398. Added image and parts list for Main Gear Axle Greased.	5/29/2020
H	All	Added note about nose and main gear tire/tube. Added Wear Strip and Suction Breakers image and parts. Updated skins and stiffener images in Section 6. Added note about skin assemblies to Section 1. Changed Stat-O-Seal Washer 600-0030-1/4 to NAS1523-4Y in Oil Bath Main Gear Assembly. Added Struts installation (208 Only) images and parts list. Added Struts installation (208B Only) images and parts list. Added Steps installation (208 Only) images and parts list. Added Steps installation (208B Only) images and parts list. Added sections for Post/Pre Service Letters 216 and 218. Updated Bidirectional Hydraulic Pump Assembly 1011436 image and parts list. Added Bidirectional Hydraulic Pump Plate Mount Assembly 1011435 image and parts list. Updated Hydraulic Pump Overview image and parts list. Added Unidirectional Hydraulic Pump Assembly 1011404 image and parts list. Added Unidirectional Hydraulic Pump Mount Bracket Assembly 1011402 image and parts list. Updated Hydraulic Schematics images and parts list. Added Electrical Schematic Bidirectional Hydraulic System image and parts list. Added Electrical Schematic Unidirectional Hydraulic System image and parts list.	5/7/2021
J	26, 33-34, 36-37, 132	Removed note about Brake Disc 164-24500. Added 1011004 Assembly, Cup, Pumpout, Duckbill, 1011808 Retainer, Valve, Duckbill, Pumpout Plug, and 1011870 Valve, Duckbill.	2/14/2022
K	170-175	Updated Left Pylon Assembly image and parts list. Updated Right Pylon Assembly image and parts list.	8/17/2022
L	132, 139	Updated parts list in Main Gear Greased Wheel Assembly. Updated parts list in 40-418B Modified Wheel No Cap Assembly section.	1/26/2023

View most current version of parts manual at www.wipaire.com.

THIS PAGE INTENTIONALLY LEFT BLANK

TABLE OF CONTENTS

FLOAT PART SALES DEPARTMENT OPERATIONS	6
INTRODUCTION	7
SECTION 1 HULL ASSEMBLY (AMPHIBIAN).....	9
SECTION 2 TOP DECK ASSEMBLY.....	31
SECTION 3 FORWARD BULKHEAD ASSEMBLY	41
SECTION 4 WHEEL WELL ASSEMBLY	65
SECTION 5 AFT BULKHEAD ASSEMBLY	87
SECTION 6 SKINS	101
SECTION 7 LANDING GEAR.....	115
SECTION 8 WATER RUDDER, STEERING, AND RETRACT CABLES	151
SECTION 9 PYLON ASSEMBLY	169
SECTION 10 STRUTS & STEPS.....	177
SECTION 11 HYDRAULIC & ELECTRICAL SYSTEM.....	199
SECTION 12 8750 STRAIGHT FLOATS	239

FLOAT PART SALES DEPARTMENT OPERATIONS

Parts Sales:

Wipaire, Inc.

1700 Henry Avenue – Fleming Field

South St. Paul, MN 55075

Telephone: (651) 306-0459

Fax: (651)-306-0666

Website: www.wipaire.com

Email: customerservice@wipaire.com

Note: Any information not found in this manual for strut package parts and other installation items refer to the installation drawing package provided with the STC at the time of float installation. Additional drawing copies are available for purchase through the Wipaire Customer Service Department.

Parts Ordering

Purchase orders should include:

1. Purchase order number
2. Name of person placing order
3. Invoicing information:
 - a. Customer name - company or individual
 - b. Address
 - c. Phone and fax number
4. Shipping information:
 - a. Address (if different from invoice address)
 - b. Method of shipment/preferred carrier
5. Aircraft model, float model, and serial numbers
6. Wipaire part number; name; type, e.g. left or right; quantity
7. Payment method: VISA, MasterCard, C.O.D. (Collect on Delivery) (U.S. customers only), pre-payment by check or wire transfer, open account (see Credit Policy)

INTRODUCTION

All references in this manual to LEFT and RIGHT are from the perspective of the pilot's seat with the floats fully installed and ready for floatplane operation.

The following is a list of abbreviations that may appear in the description nomenclature fields of this manual:

AB	Afterbody	Inbd.	Inboard
Amphib.	Amphibious	Lg.	Large
AR	As Required	Lt.	Left
Assy.	Assembly	Lwr.	Lower
Brkt.	Bracket	Opt.	Optional
Btm.	Bottom	Otbd.	Outboard
Bulk.	Bulkhead	Reinf.	Reinforcement
Ctr.	Center	Rr.	Rear
Cyl.	Cylinder	Rt.	Right
Ft.	Front	Sm.	Small
Ftg.	Fitting	SN	Serial Number
Fus.	Fuselage	Spr.	Spreader
Fwd	Forward	Up.	Upper
Horiz.	Horizontal	Vert.	Vertical
Hyd.	Hydraulic	W.W.	Wheel Well

USING THIS PARTS MANUAL

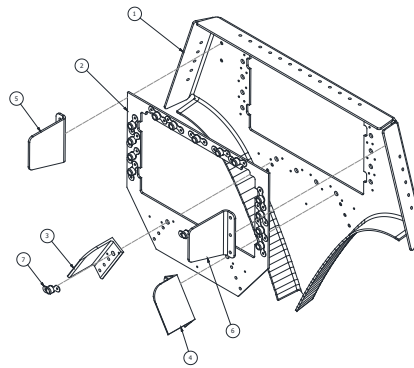
COVERAGE

Parts information is provided in this manual for the hulls and all "deck down" parts. For information on strut package parts and other aircraft installation items, refer to the installation drawing package provided with the STC at the time of float installation. Additional drawing copies are available for purchase through Wipaire Customer Service Department.

Name of main part in the section. Example: This part is showing the components made up in Bulkhead #1.

BULKHEAD #1

Main part image. If the image has numbers associated with it, then those numbers are item numbers shown in the table below.



Items with a (-) instead of a number represent the main part as an assembly. Other parts represent the parts included in the assembly.

ITEM	QTY	PART NO.	PART DESCRIPTION
-	1	1008815	ASSEMBLY BULKHEAD #1, 10000
1	1	1008797	PANEL, BULKHEAD #1
2	1	13A01156-085	DOUBLER #1 BULKHEAD
3	1	13A01357-049	CLEAT, SISTER KEEL ATTACH #1 BULKHEAD
4	1	13A01357-050	CLEAT, SISTER KEEL ATTACH #1 BULKHEAD
5	1	6A01156-054	ANGLE – TOP RAIL
6	1	6A01156-055	ANGLE – TOP RAIL
7	17	MS21047L4	NUT PLATE, SELF LOCKING

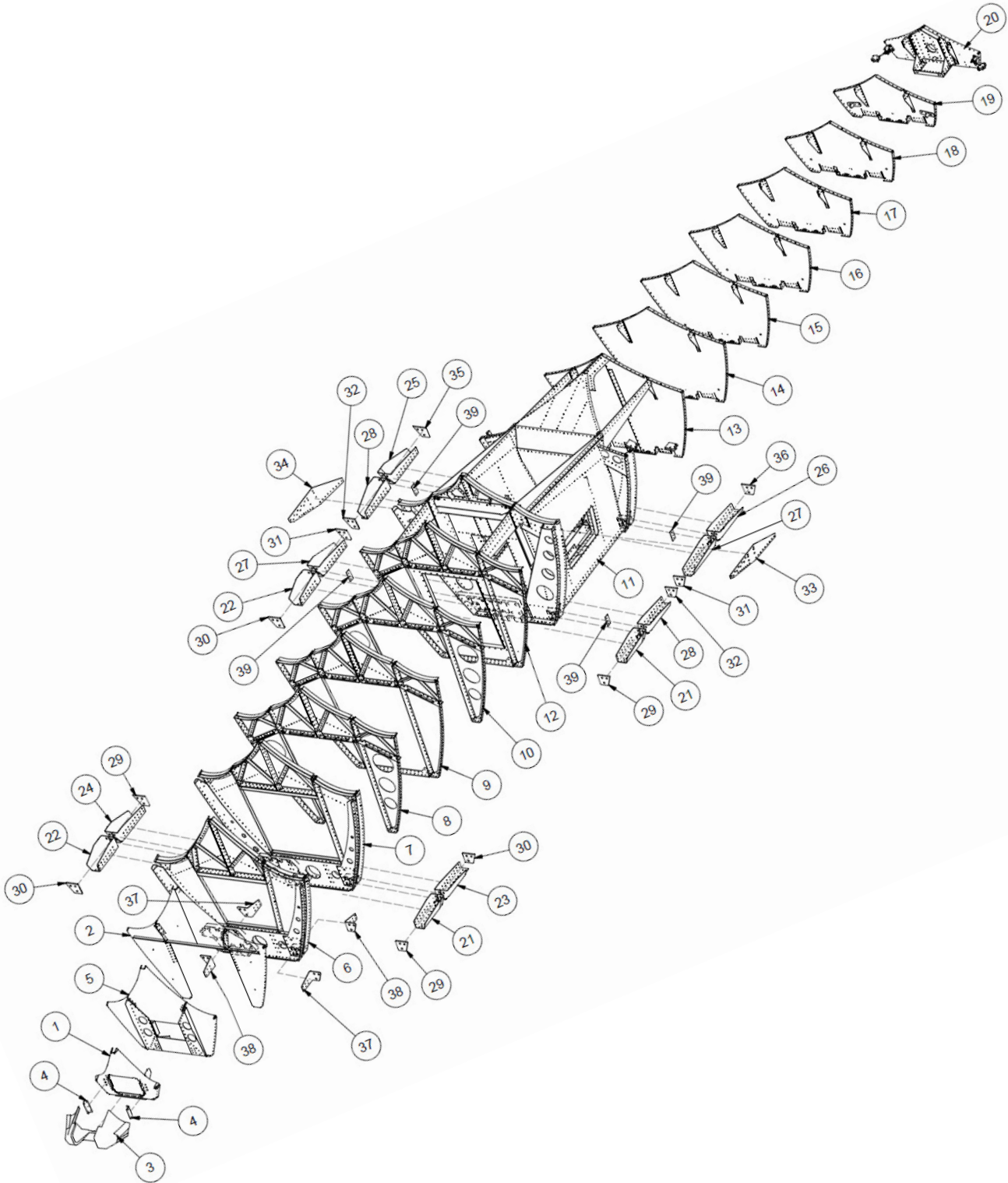
To order an individual part, order the part number associated with item number.

SECTION 1 HULL ASSEMBLY (AMPHIBIAN)

CONTENTS

HULL ASSEMBLY - BULKHEADS LEFT FLOAT (AMPHIBIAN).....	10
HULL ASSEMBLY BULKHEADS RIGHT FLOAT (AMPHIBIAN).....	12
HULL SIDE SKIN ASSEMBLIES LEFT FLOAT (AMPHIBIAN).....	14
HULL SIDE SKIN ASSEMBLIES RIGHT FLOAT (AMPHIBIAN).....	16
HULL ASSEMBLY BOTTOM SKINS (AMPHIBIAN).....	18
HULL STRUCTURAL MEMBERS AND EXTRUSIONS (AMPHIBIAN).....	20
WEAR STRIP AND SUCTION BREAKERS.....	22
PUMPER CUP INSTALLATION.....	24
PUMPER TUBE INSTALLATION.....	26
BUOYANCY FOAM LEFT FLOAT.....	27
BUOYANCY FOAM RIGHT FLOAT.....	28
BAGGAGE FLOOR.....	29

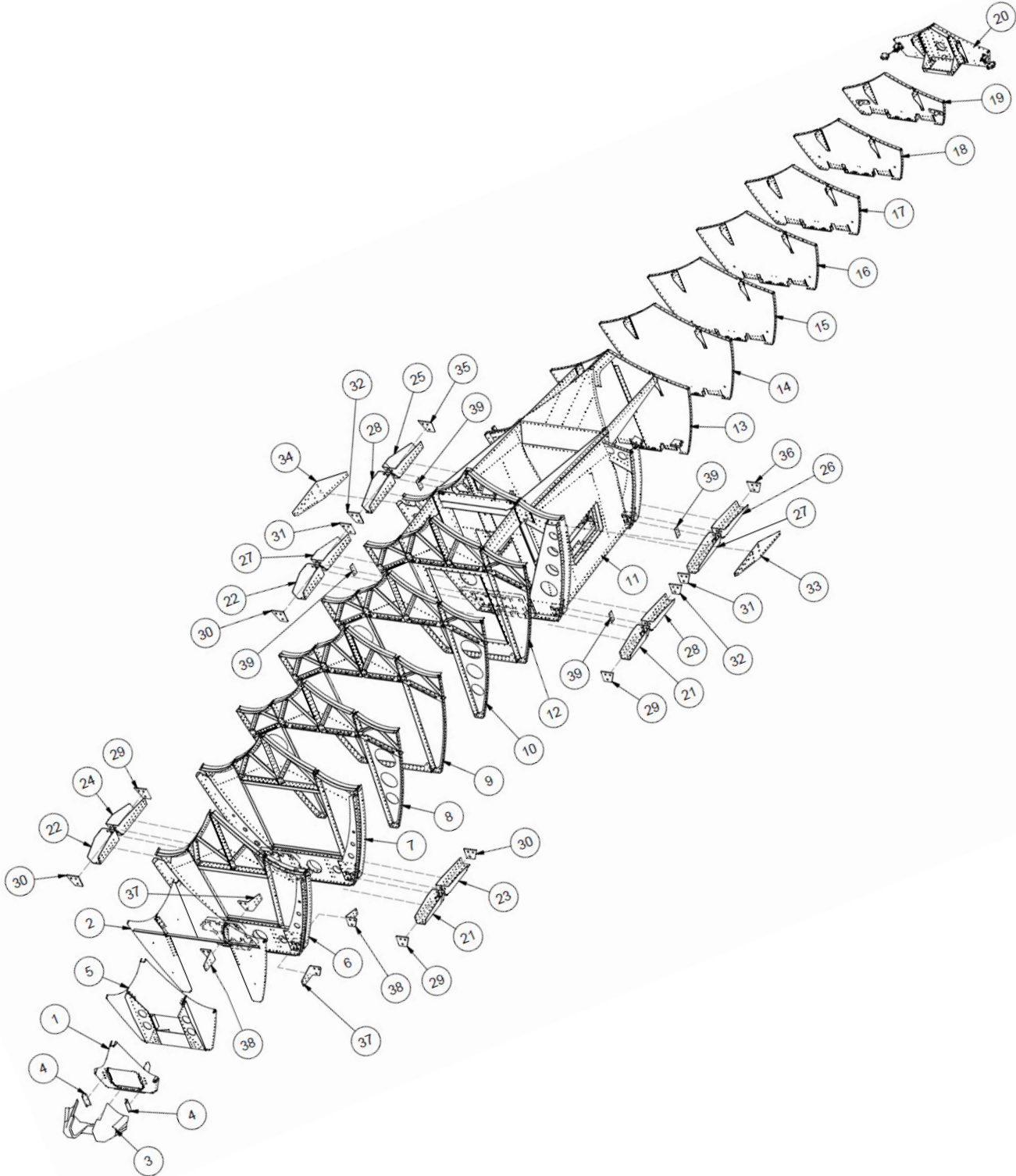
HULL ASSEMBLY - BULKHEADS LEFT FLOAT (AMPHIBIAN)



PARTS MANUAL
8750 FLOATS ON CESSNA 208 AND 208B

ITEM	QTY	PART NO.	PART DESCRIPTION
1	1	1003035	ASSY, BULKHEAD 1
2	1	1003037	ASSY, BULKHEAD 3
3	1	1004467	NOSE BUMPER
4	2	1004641	MOUNT, NOSE BUMPER
5	1	1006048	ASSY, BULKHEAD #2
6	1	1006049	ASSY, BULKHEAD 4, LEFT FLOAT, 8750
7	1	1006051	ASSY, BULKHEAD 5, LEFT FLOAT
8	1	1006053	ASSY, BULKHEAD 6, 8750
9	1	1006054	ASSEMBLY, BULKHEAD 7
10	1	1006056	ASSY, BULKHEAD #8
11	1	1006057	ASSEMBLY, WHEEL WELL, LEFT FLOAT
12	1	1006059	ASSY, BULKHEAD 9
13	1	1006065	ASSY, BULKHEAD 12, LEFT FLOAT
14	1	1006067	ASSY, BULKHEAD 13
15	1	1006068	ASSY, BULKHEAD 14
16	1	1006069	ASSY, BULKHEAD 15
17	1	1006070	ASSY, BULKHEAD 16
18	1	1006071	ASSY, BULKHEAD 17
19	1	1006072	ASSY, BULKHEAD 18
20	1	1006073	ASSY, BULKHEAD 19
21	1	1006424	FITTING, BATHTUB, FWD, RH, BH05, 8750
22	1	1006425	FITTING, BATHTUB, FWD, LH, BH05, 8750
23	2	1006426	FITTING, BATHTUB, AFT, RH, BH05, 8750
24	2	1006427	FITTING, BATHTUB, AFT, LH, BH05, 8750
25	1	1006428	FITTING, BATHTUB, AFT, LEFT, BH11, 8750
26	1	1006429	FITTING, BATHTUB, AFT, RIGHT, BH11, 8750
27	2	1006430	FITTING, BATHTUB, LEFT, WHEEL WELL, 8750
28	2	1006431	FITTING, BATHTUB, RIGHT, WHEEL WELL, 8750
29	3	1006432	PLUG, BATHTUB FITTING 1006424 & 1006427
30	3	1006433	PLUG, BATHTUB FITTING 1006425 & 1006426
31	2	1006452	PLUG, BATHTUB FITTING 1006430
32	2	1006453	PLUG, BATHTUB FITTING 1006431
33	1	1006468	DOUBLER, CHINE, RIGHT, 8750
34	1	1006469	DOUBLER, CHINE, LEFT, 8750
35	1	1006490	PLUG, BATHTUB FITTING 1006428
36	1	1006491	PLUG, BATHTUB FITTING 1006429
37	2	1006494	MOUNT, RIGHT, BULKHEAD 4
38	2	1006495	MOUNT, LEFT, BULKHEAD 4
39	4	1006498	SPACER, WHEEL WELL, BATH TUB FITTING ATTACH

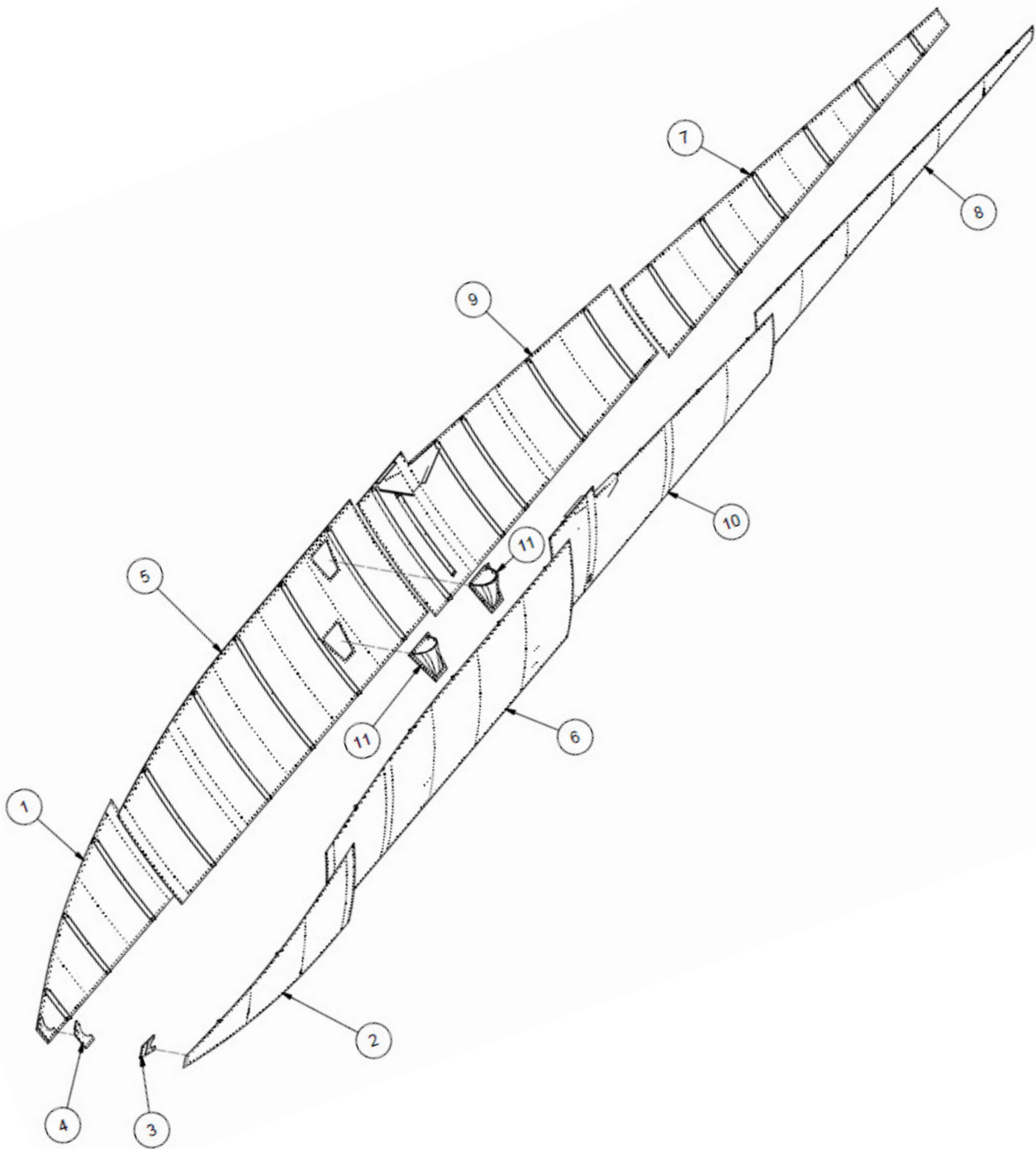
HULL ASSEMBLY BULKHEADS RIGHT FLOAT (AMPHIBIAN)



PARTS MANUAL
8750 FLOATS ON CESSNA 208 AND 208B

ITEM	QTY	PART NO.	PART DESCRIPTION
1	1	1003035	ASSY, BULKHEAD 1
2	1	1003037	ASSY, BULKHEAD 3
3	1	1004467	NOSE BUMPER
4	2	1004641	MOUNT, NOSE BUMPER
5	1	1006048	ASSY, BULKHEAD #2
6	1	1006050	ASSY, BULKHEAD 4, RIGHT FLOAT
7	1	1006052	ASSY, BULKHEAD 5, RIGHT FLOAT
8	1	1006053	ASSY, BULKHEAD 6, 8750
9	1	1006054	ASSEMBLY, BULKHEAD 7
10	1	1006056	ASSY, BULKHEAD #8
11	1	1006058	ASSEMBLY, WHEEL WELL, RIGHT FLOAT
12	1	1006059	ASSY, BULKHEAD 9
13	1	1006066	ASSY, BULKHEAD 12, RIGHT FLOAT
14	1	1006067	ASSY, BULKHEAD 13
15	1	1006068	ASSY, BULKHEAD 14
16	1	1006069	ASSY, BULKHEAD 15
17	1	1006070	ASSY, BULKHEAD 16
18	1	1006071	ASSY, BULKHEAD 17
19	1	1006072	ASSY, BULKHEAD 18
20	1	1006073	ASSY, BULKHEAD 19
21	2	1006424	FITTING, BATHTUB, FWD, RH, BH05, 8750
22	2	1006425	FITTING, BATHTUB, FWD, LH, BH05, 8750
23	1	1006426	FITTING, BATHTUB, AFT, RH, BH05, 8750
24	1	1006427	FITTING, BATHTUB, AFT, LH, BH05, 8750
25	1	1006428	FITTING, BATHTUB, AFT, LEFT, BH11, 8750
26	1	1006429	FITTING, BATHTUB, AFT, RIGHT, BH11, 8750
27	2	1006430	FITTING, BATHTUB, LEFT, WHEEL WELL, 8750
28	2	1006431	FITTING, BATHTUB, RIGHT, WHEEL WELL, 8750
29	3	1006432	PLUG, BATHTUB FITTING 1006424 & 1006427
30	3	1006433	PLUG, BATHTUB FITTING 1006425 & 1006426
31	2	1006452	PLUG, BATHTUB FITTING 1006430
32	2	1006453	PLUG, BATHTUB FITTING 1006431
33	1	1006468	DOUBLER, CHINE, RIGHT, 8750
34	1	1006469	DOUBLER, CHINE, LEFT, 8750
35	1	1006490	PLUG, BATHTUB FITTING 1006428
36	1	1006491	PLUG, BATHTUB FITTING 1006429
37	2	1006494	MOUNT, RIGHT, BULKHEAD 4
38	2	1006495	MOUNT, LEFT, BULKHEAD 4
39	4	1006498	SPACER, WHEEL WELL, BATH TUB FITTING ATTACH

HULL SIDE SKIN ASSEMBLIES LEFT FLOAT (AMPHIBIAN)

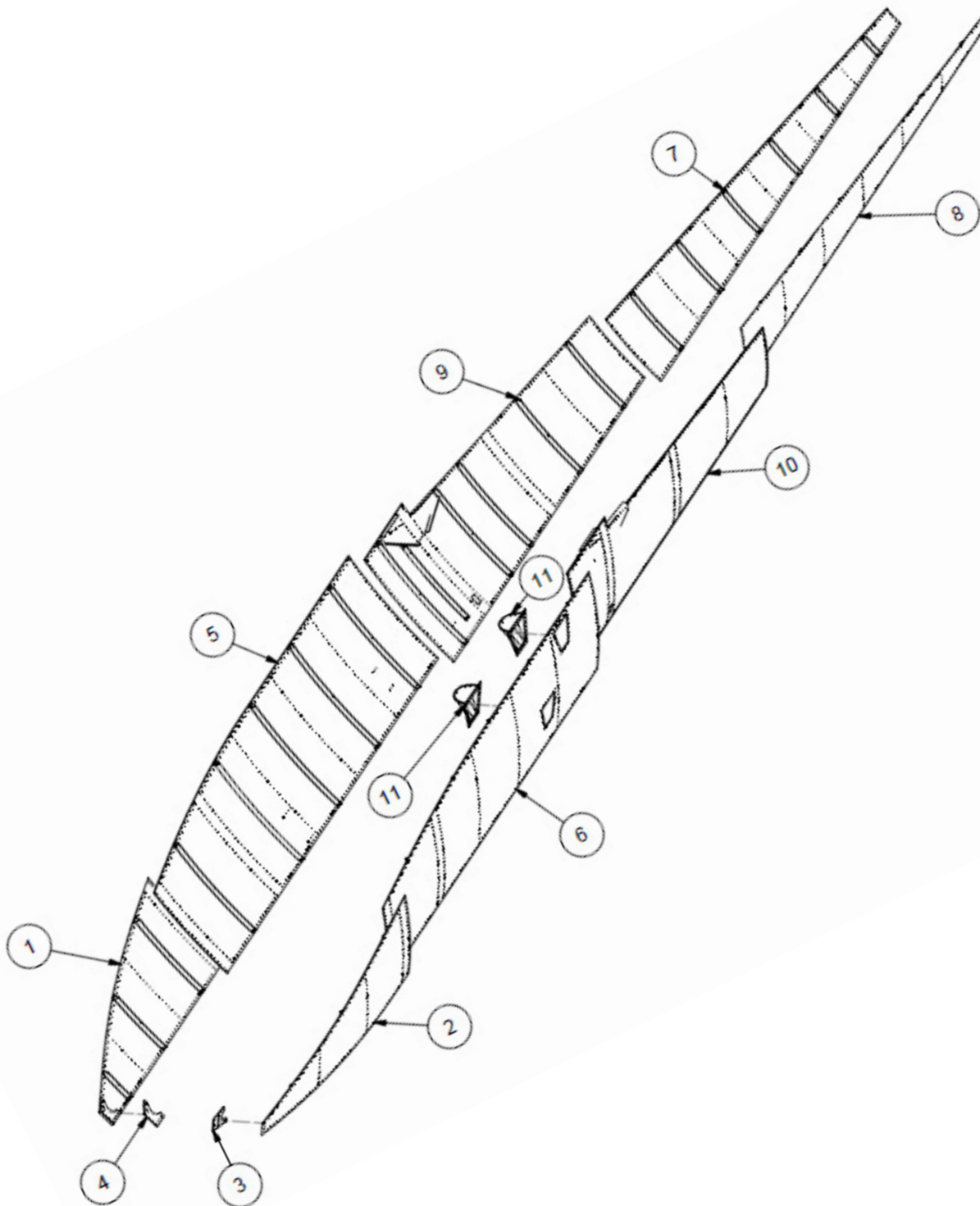


PARTS MANUAL
8750 FLOATS ON CESSNA 208 AND 208B

ITEM	QTY	PART NO.	PART DESCRIPTION
1	1	1003785*	ASSY, SKIN, FWD, OBRD, LT FLT.
2	1	1003787*	ASSY, SKIN, FWD, OBRD, RT FLT.
3	1	1004259	DOUBLER, BLKHD 1, INTERIOR, LT.
4	1	1004260	DOUBLER, BLKHD 1, INTERIOR, RT.
5	1	1006373*	ASSY, SKIN, SIDE, OUTBOARD, BH04-BH09, LEFT FLOAT
6	1	1006374*	ASSY, SKIN, SIDE, INBOARD, BH04-BH09, LEFT FLOAT
7	1	1006379*	ASSY, SKIN, SIDE, LEFT, BH13-BH19
8	1	1006380*	ASSY, SKIN, SIDE, RIGHT, BH13-BH19
9	1	1006456*	ASSY, SKIN, SIDE, OUTBOARD, BH09-BH13, LEFT FLOAT
10	1	1006457*	ASSY, SKIN, SIDE, INBOARD, BH09-BH13, LEFT FLOAT
11	2	30A01000-358	WELDMENT, STEP POCKET, CURVED SURFACE

* Float skin assemblies are no longer available for purchase. Please reference Section 6 Skins for individual skin and stiffener part numbers. Contact Wipaire Customer Service for details.

HULL SIDE SKIN ASSEMBLIES RIGHT FLOAT (AMPHIBIAN)

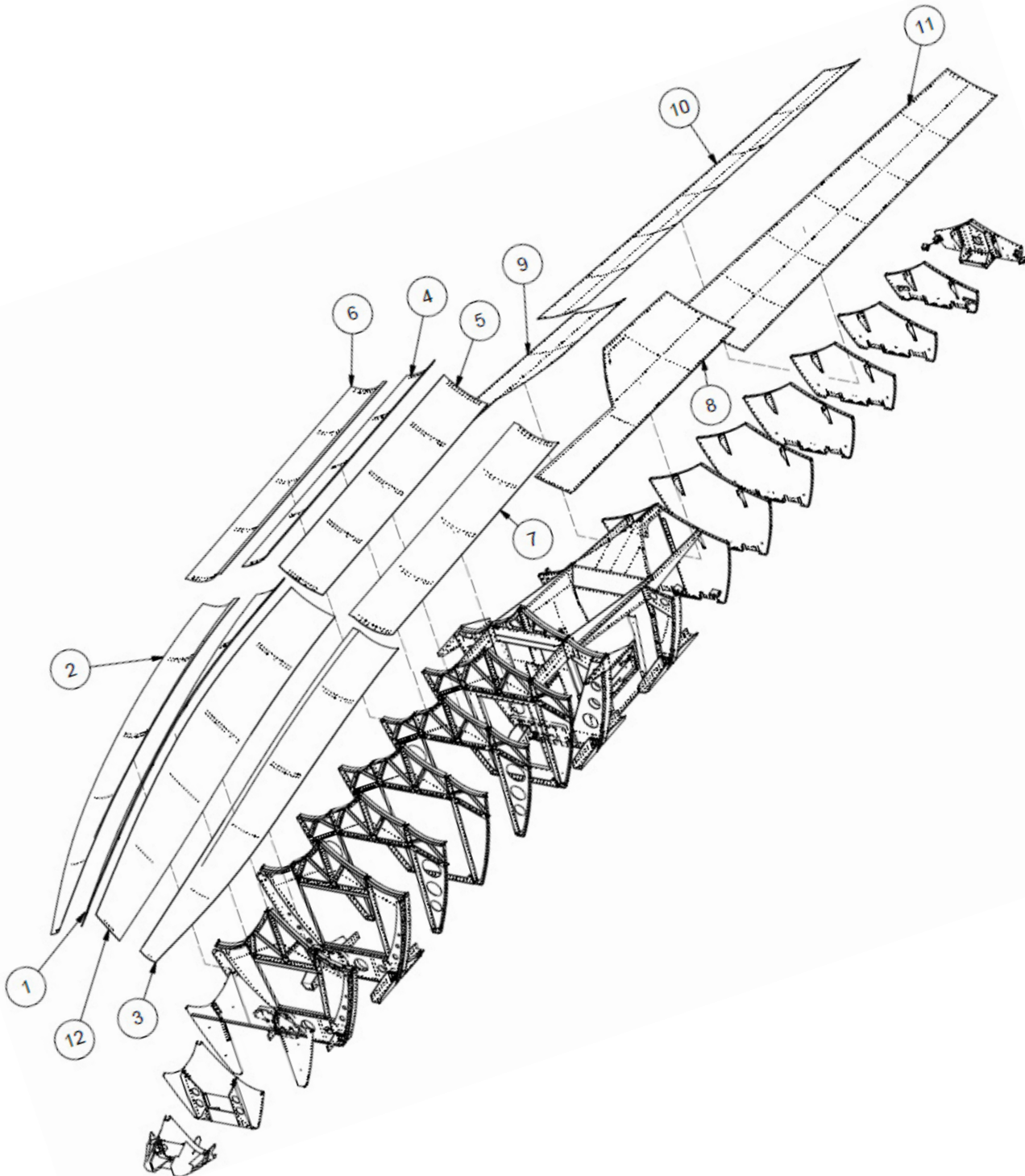


PARTS MANUAL
8750 FLOATS ON CESSNA 208 AND 208B

ITEM	QTY	PART NO.	PART DESCRIPTION
1	1	1003785*	ASSY, SKIN, FWD, OBRD, LT FLT.
2	1	1003787*	ASSY, SKIN, FWD, OBRD, RT FLT.
3	1	1004259	DOUBLER, BLKHD 1, INTERIOR, LT.
4	1	1004260	DOUBLER, BLKHD 1, INTERIOR, RT.
5	1	1006375*	ASSY, SKIN, SIDE, INBOARD, BH04-BH09, RIGHT FLOAT
6	1	1006376*	ASSY, SKIN, SIDE, OUTBOARD, BH04-BH09, RIGHT FLOAT
7	1	1006379*	ASSY, SKIN, SIDE, LEFT, BH13-BH19
8	1	1006380*	ASSY, SKIN, SIDE, RIGHT, BH13-BH19
9	1	1006458*	ASSY, SKIN, SIDE, INBOARD, BH09-BH13, RIGHT FLOAT
10	1	1006459*	ASSY, SKIN, SIDE, OUTBOARD, BH09-BH13, RIGHT FLOAT
11	2	30A01000-358	WELDMENT, STEP POCKET, FLAT SURFACE

* Float skin assemblies are no longer available for purchase. Please reference Section 6 Skins for individual skin and stiffener part numbers. Contact Wipaire Customer Service for details.

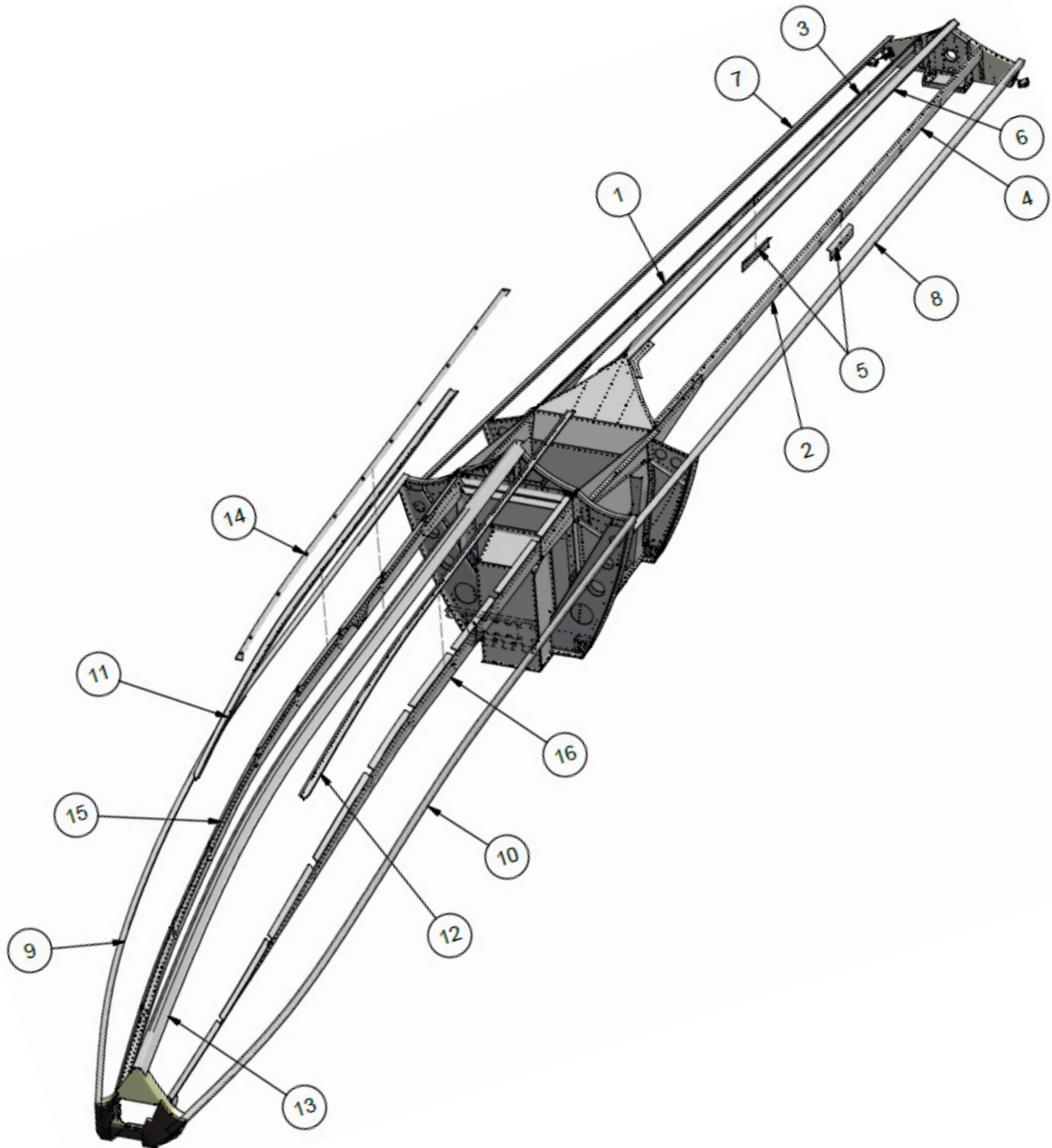
HULL ASSEMBLY BOTTOM SKINS (AMPHIBIAN)



PARTS MANUAL
8750 FLOATS ON CESSNA 208 AND 208B

ITEM	QTY	PART NO.	PART DESCRIPTION
1	1	1006361	SKIN, BOTTOM, KEEL, LEFT, BH01-BH06
2	1	1006359	SKIN, BOTTOM, CHINE, LEFT, BH01-BH06
3	1	1006360	SKIN, BOTTOM, CHINE, RIGHT, BH01-BH06
4	1	1006365	SKIN, BOTTOM, KEEL, LEFT, BH06-BH10
5	1	1006366	SKIN, BOTTOM, KEEL, RIGHT, BH06-BH10
6	1	1006363	SKIN, BOTTOM, CHINE, LEFT, BH06-BH10
7	1	1006364	SKIN, BOTTOM, CHINE, RIGHT, BH06-BH10
8	1	1006368	SKIN, BOTTOM, RIGHT, BH10-BH13
9	1	1006367	SKIN, BOTTOM, LEFT, BH10-BH13
10	1	1006369	SKIN, BOTTOM, LEFT, BH13-BH19
11	1	1006370	SKIN, BOTTOM, RIGHT, BH13-BH19
12	1	1006362	SKIN, BOTTOM, KEEL, RIGHT, BH01-BH06

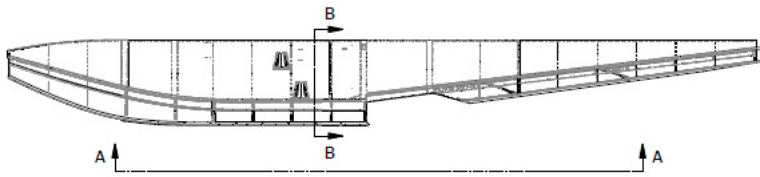
HULL STRUCTURAL MEMBERS AND EXTRUSIONS (AMPHIBIAN)



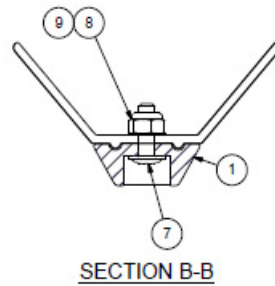
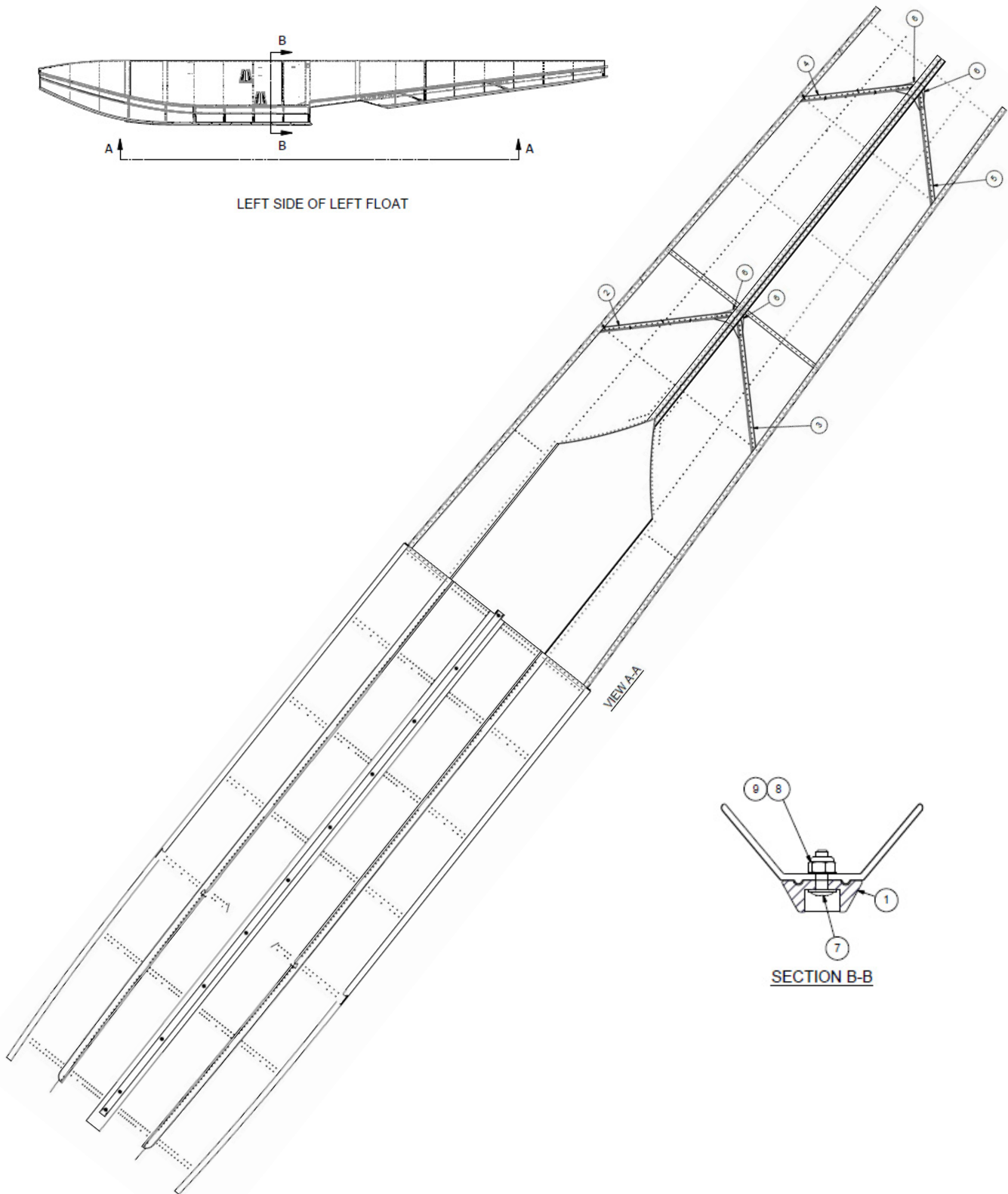
PARTS MANUAL
8750 FLOATS ON CESSNA 208 AND 208B

ITEM	QTY	PART NO.	PART DESCRIPTION
1	1	1006201	KEEL, SISTER, STERN, LEFT, BH11-15
2	1	1006202	KEEL, SISTER, STERN, RIGHT, BH11-15
3	1	1006203	KEEL, SISTER, STERN, LEFT, BH15-19
4	1	1006204	KEEL, SISTER, STERN, RIGHT, BH15-19
5	2	1006205	SPLICE, SISTER KEEL, STERN
6	1	1006206	KEEL, MAIN, AFT
7	1	1006207	CHINE, AFT, LEFT
8	1	1006208	CHINE, AFT, RIGHT
9	1	1006209	CHINE, FWD, LT
10	1	1006210	CHINE, FWD, RT
11	1	1006211	KEEL, SISTER, FWD, LT
12	1	1006212	KEEL, SISTER, FWD, RT
13	1	1006213	KEEL, MAIN, FWD
14	1	1006214	WEAR STRIP, KEEL, MAIN
15	1	1006221	ASSY, SISTER KEEL, LH, FWD
16	1	1006222	ASSY, SISTER KEEL, RH, FWD

WEAR STRIP AND SUCTION BREAKERS



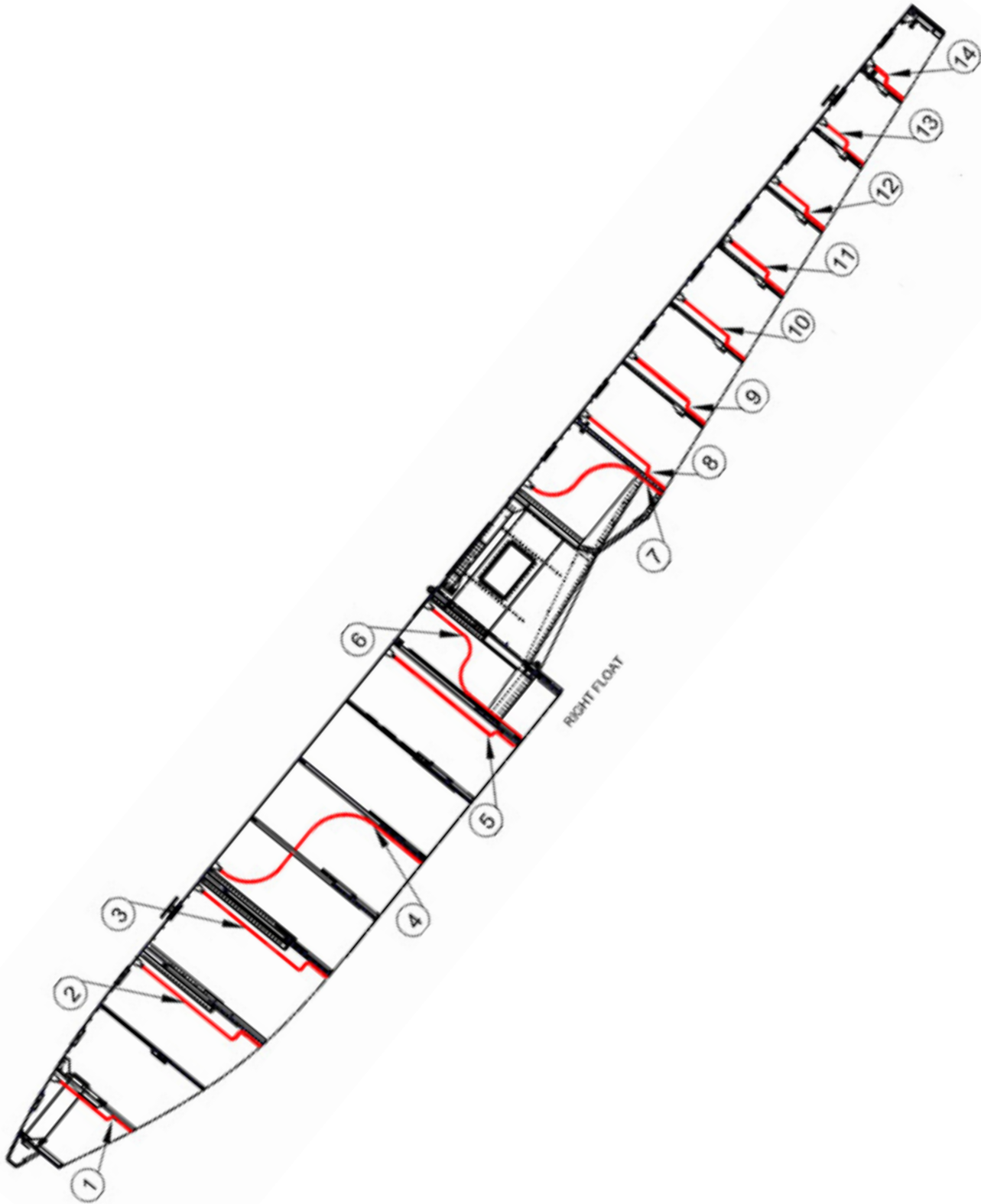
LEFT SIDE OF LEFT FLOAT



PARTS MANUAL
8750 FLOATS ON CESSNA 208 AND 208B

ITEM	QTY	PART NO.	PART DESCRIPTION
1	1	1006214	WEAR STRIP, KEEL, MAIN
2	1	1006571	SUCTION BREAKER, BOTTOM SKIN, STA 216, LH
3	1	1006572	SUCTION BREAKER, BOTTOM SKIN, STA 216, RH
4	1	1006573	SUCTION BREAKER, BOTTOM SKIN, STA 270, LH
5	1	1006574	SUCTION BREAKER, BOTTOM SKIN, STA 270, RH
6	4	1006656	DOUBLER, SUCTION BREAKER
7	11	AN525-10R10	SCREW, WASHER HEAD
8	11	MS21044N3	NUT, LOCKING, REGULAR HEIGHT, 10-32 UNF
9	11	NAS1149D0316J	WASHER, 0.203 ID, 0.016 THK, ALUMINUM

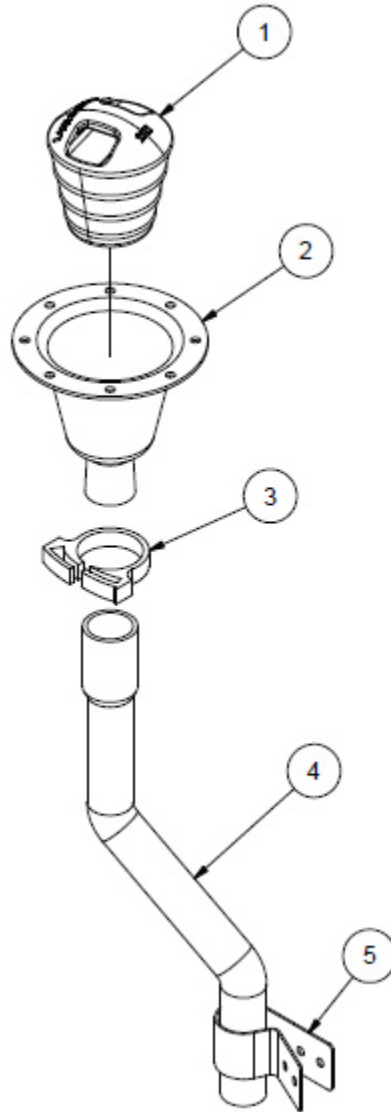
PUMPER CUP INSTALLATION



PARTS MANUAL
8750 FLOATS ON CESSNA 208 AND 208B

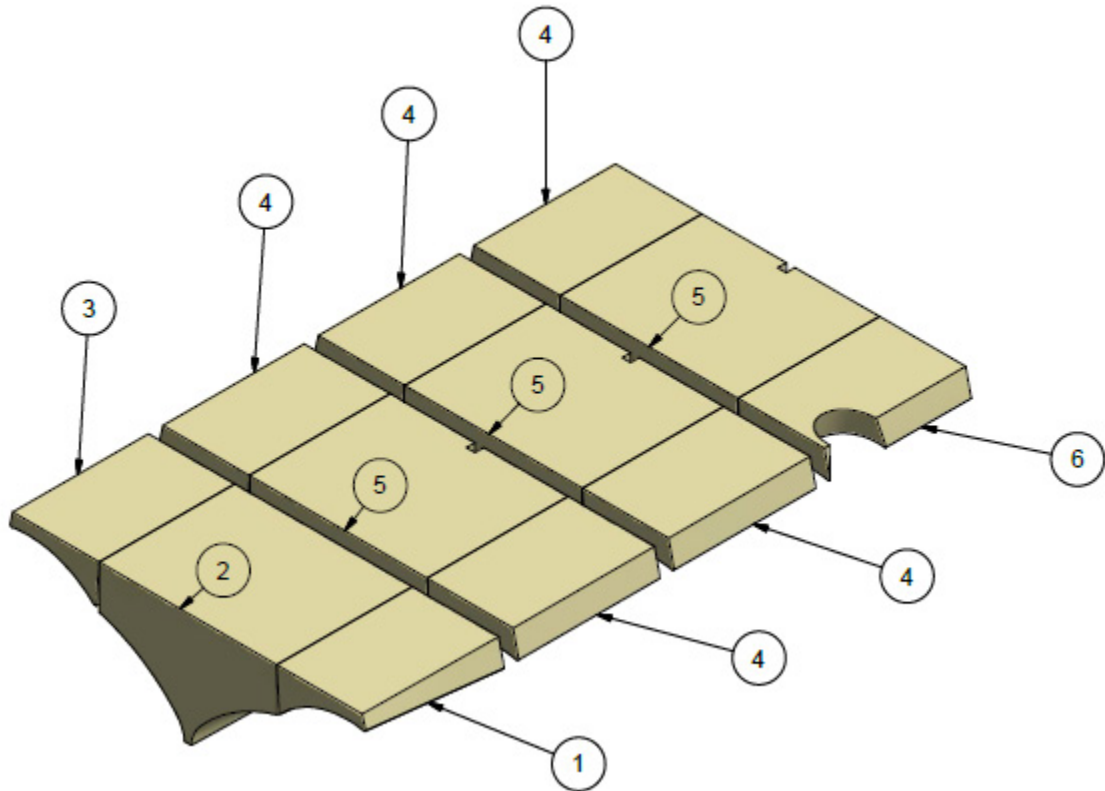
ITEM	QTY	PART NO.	PART DESCRIPTION
1	1	RM618	PUMPER, BLKHD #2 TUBE, 24.5 IN LG
2	1	RM618	PUMPER, BLKHD #4 TUBE, 38.0 IN LG
3	1	RM618	PUMPER, BLKHD #5, FWD TUBE, 40.5 IN LG
4	1	RM618	PUMPER, BLKHD #5, AFT TUBE, 60.5 IN LG
5	1	RM618	PUMPER, BLKHD #9 TUBE, 40.5 IN LG
6	1	RM618	PUMPER, BLKHD #10 TUBE, 45.5 IN LG
7	1	RM618	PUMPER, BLKHD #11 TUBE, 40.0 IN LG
8	1	RM618	PUMPER, BLKHD #12 TUBE, 30.0 IN LG
9	1	RM618	PUMPER, BLKHD #13 TUBE, 28.0 IN LG
10	1	RM618	PUMPER, BLKHD #14 TUBE, 26.0 IN LG
11	1	RM618	PUMPER, BLKHD #15 TUBE, 24.0 IN LG
12	1	RM618	PUMPER, BLKHD #16 TUBE, 20.0 IN LG
13	1	RM618	PUMPER, BLKHD #17 TUBE, 18.0 IN LG
14	1	RM618	PUMPER, BLKHD #18 TUBE, 15.0 IN LG

PUMPER TUBE INSTALLATION



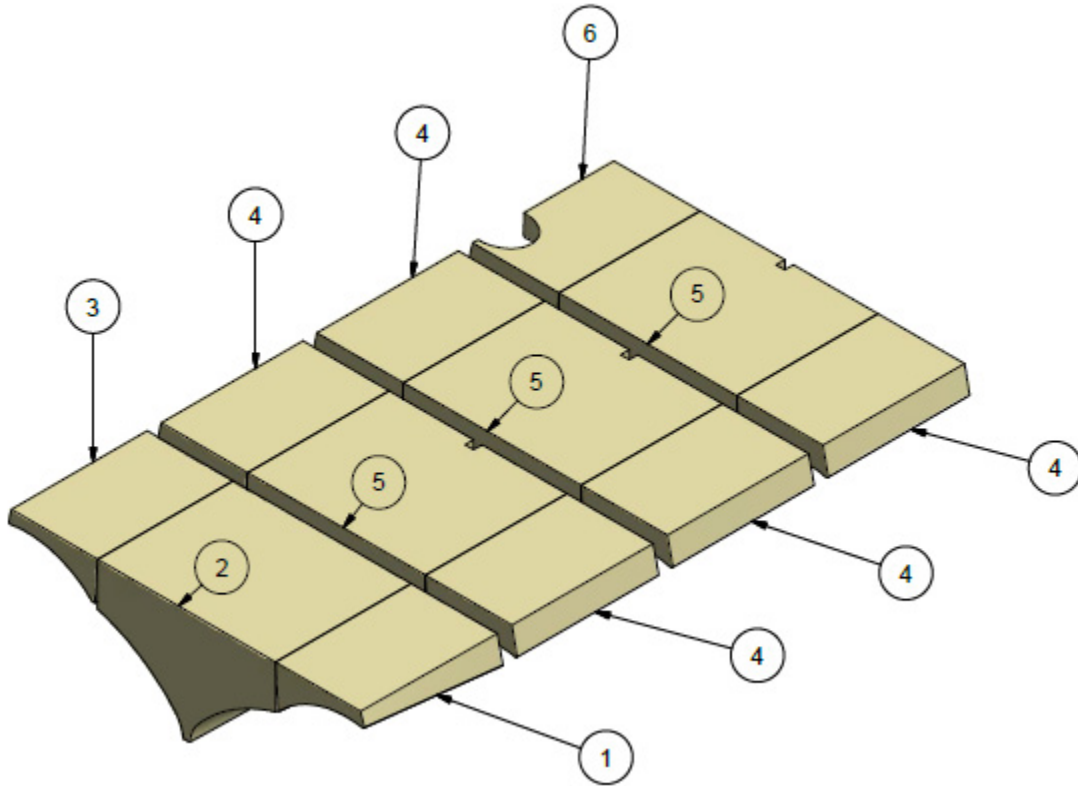
ITEM	QTY	PART NO.	PART DESCRIPTION
1	1	1011870	VALVE, DUCKBILL (NEW STYLE)
	1	2111	STOPPER, PUMPOUT, LAKE AND AIR (OLD STYLE)
2	1	1011004	ASSEMBLY, CUP, PUMPOUT, DUCKBILL
	1	4A01749-001	CUP, PUMP OUT
	1	1011808	RETAINER, VALVE, DUCKBILL, PUMPOUT PLUG
3	1	57134	CLAMP
4	1	RM618	PUMPER TUBE (SEE PG. 24) (LENGTH VARIES)
5	1	3A01158-003	CLAMP, PUMP OUT TUBE

BUOYANCY FOAM LEFT FLOAT



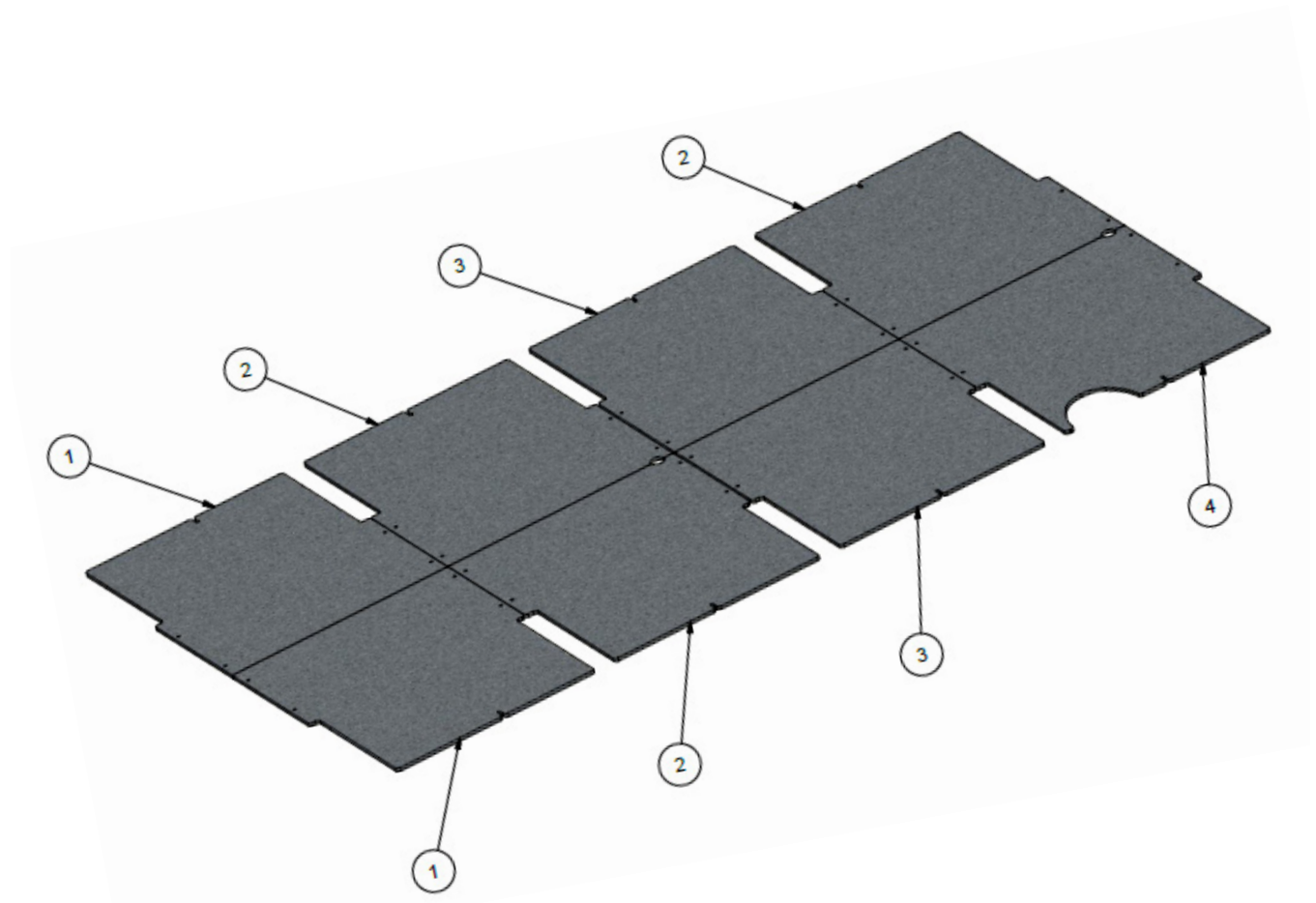
ITEM	QTY	PART NO.	PART DESCRIPTION
1	1	1005635	BUOYANCY FOAM, SIDE, LEFT, BH5-BH6, 8750
2	1	1005636	BUOYANCY FOAM, CENTER, BH5-BH6, 8750
3	1	1005637	BUOYANCY FOAM, SIDE, RIGHT, BH5-BH6, 8750
4	5	1005639	BUOYANCY FOAM, SIDE, BH6-BH9, 8750
5	3	1005640	BUOYANCY FOAM, CENTER, BH6-BH9, 8750
6	1	1005758	BUOYANCY FOAM, SIDE, BH6-BH9, LEFT, 8750

BUOYANCY FOAM RIGHT FLOAT



ITEM	QTY	PART NO.	PART DESCRIPTION
1	1	1005635	BUOYANCY FOAM, SIDE, LEFT, BH5-BH6, 8750
2	1	1005636	BUOYANCY FOAM, CENTER, BH5-BH6, 8750
3	1	1005637	BUOYANCY FOAM, SIDE, RIGHT, BH5-BH6, 8750
4	5	1005639	BUOYANCY FOAM, SIDE, BH6-BH9, 8750
5	3	1005640	BUOYANCY FOAM, CENTER, BH6-BH9, 8750
6	1	1005759	BUOYANCY FOAM, SIDE, BH6-BH9, RIGHT, 8750

BAGGAGE FLOOR



ITEM	QTY	PART NO.	PART DESCRIPTION
1	2	1006566	PANEL, BAGGAGE FLR, SHORT, NO RELIEF
2	3	1006567	PANEL, BAGGAGE FLR, LONG, PUMPOUT RELIEF
3	2	1006568	PANEL, BAGGAGE FLR, LONG, NO RELIEF
4	1	1006569	PANEL, BAGGAGE FLR, LONG, STEP RELIEF
-	32	AN526-832R10	SCREW (NOT SHOWN)

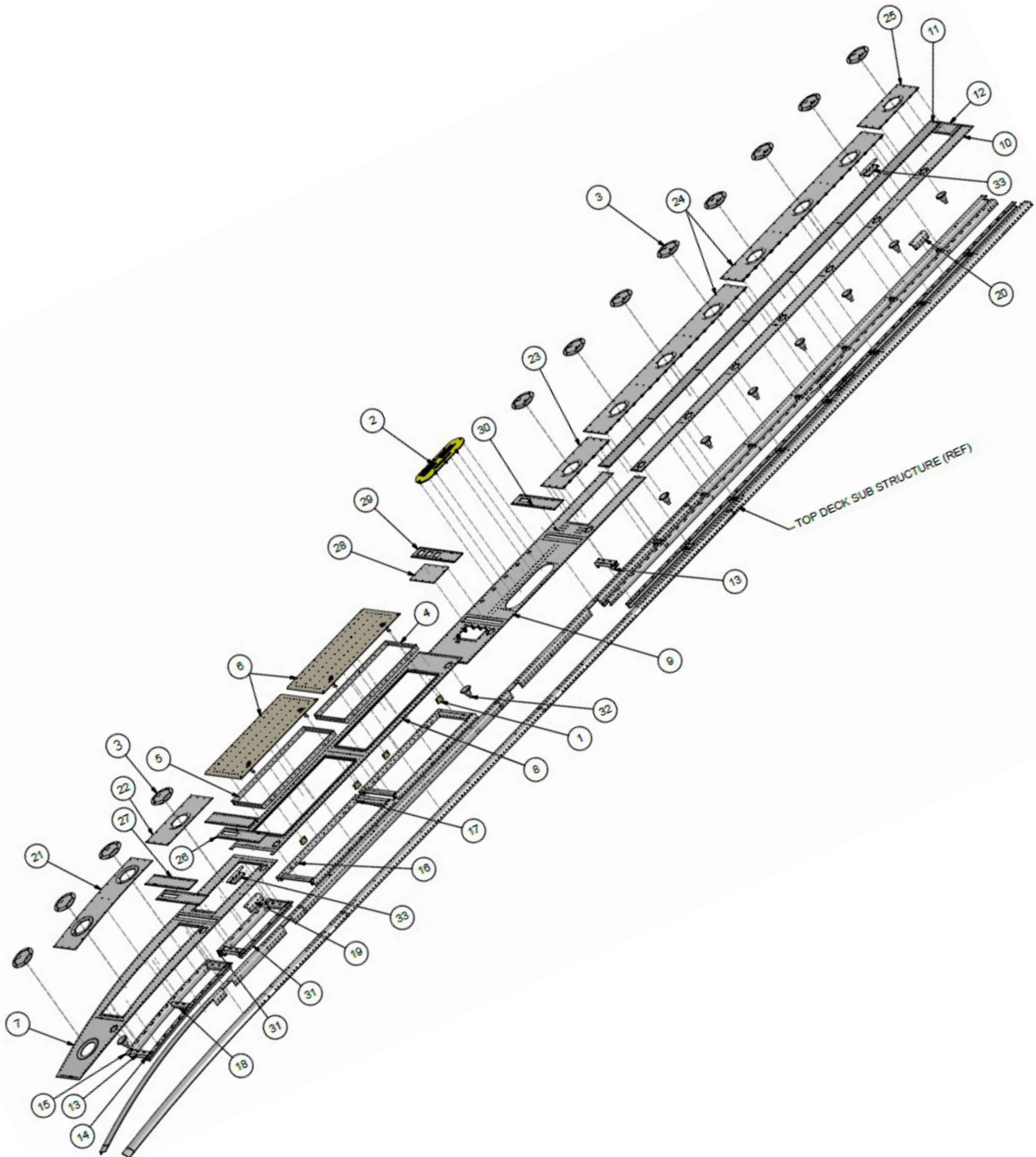
THIS PAGE INTENTIONALLY LEFT BLANK

SECTION 2 TOP DECK ASSEMBLY

CONTENTS

TOP DECK ASSEMBLY LEFT FLOAT (AMPHIBIAN).....	32
TOP DECK ASSEMBLY RIGHT FLOAT (AMPHIBIAN).....	35
TOP DECK SUB STRUCTURE (AMPHIBIAN)	38

TOP DECK ASSEMBLY LEFT FLOAT (AMPHIBIAN)

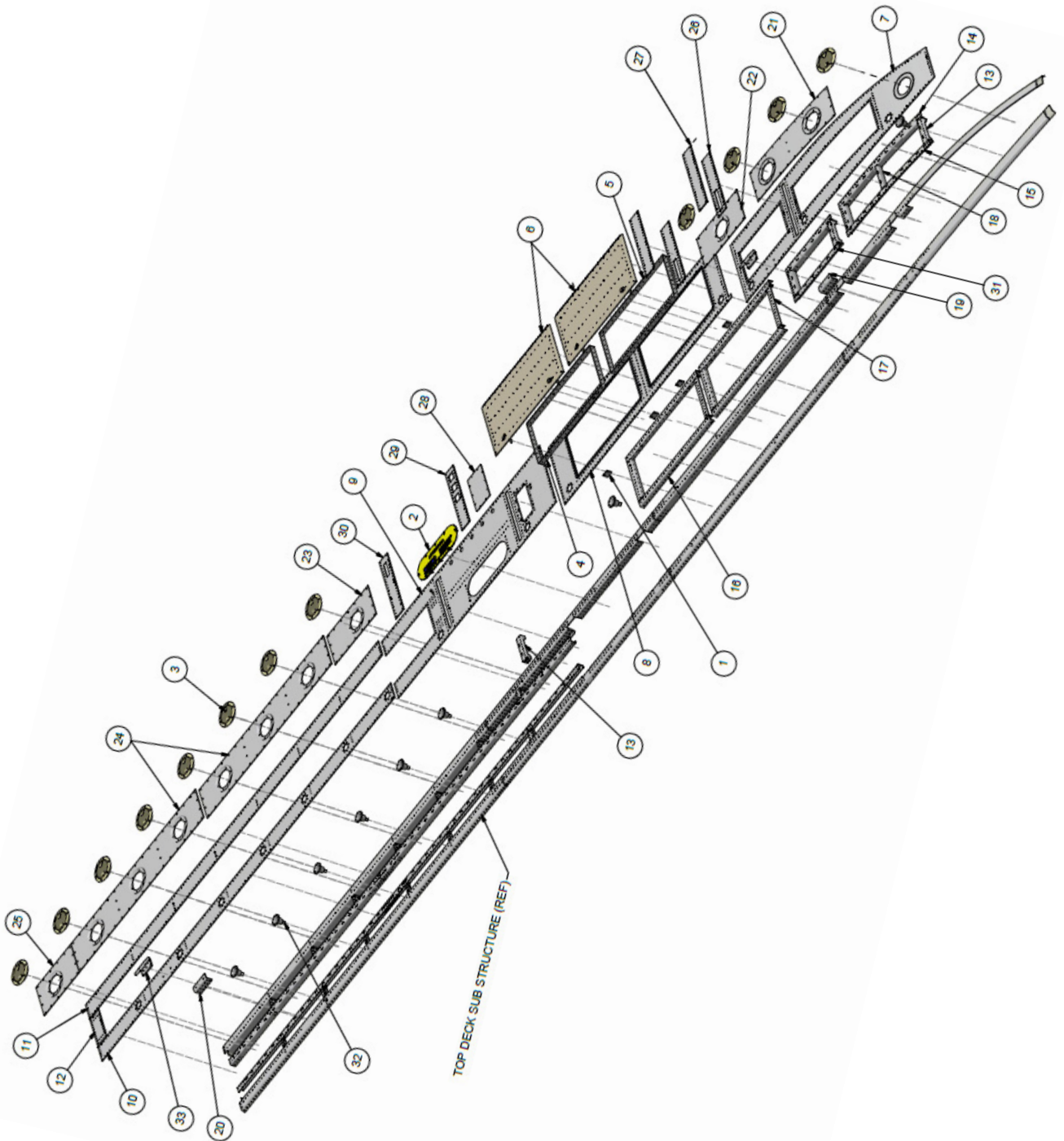


PARTS MANUAL
8750 FLOATS ON CESSNA 208 AND 208B

ITEM	QTY	PART NO.	PART DESCRIPTION
1	4	1003860	STRIKE PLATE, BAGGAGE DOOR LOCK
2	1	1004567	ASSEMBLY, COVER, GEAR ACCESS, LH
	1	1004565	COVER, GEAR ACCESS (NOT SHOWN)
	1	1004570	PLACARD, GEAR WARNING, LH (NOT SHOWN)
	8	2600-3	CAMLOC STUD (NOT SHOWN)
	8	S3275-302	RETAINING RING, CAMLOC (NOT SHOWN)
3	12	1004593	COVER, 4" INSPECTION
	12	1009941	GASKET, INSPECTION COVER
	72	AN526C632R8	SCREW, TRUSS HEAD MACHINE, 6-32 THREAD, 1/2" LENGTH
	72	MS21044N06	NUT, (250 DEG), NYLON INSERT, CARBON STEEL, 6-32
	144	NAS1149FN632P	WASHER, CARBON STEEL, TO FIT DIA #6
4	2	1006196	BAGGAGE LIP
5	2	1006197	BAGGAGE LIP
6	2	1006200	ASSY. COVER, BAGGAGE
7	1	1006223	SKIN, TOP, FWD, LH FLOAT
8	1	1006225	SKIN, TOP, BAGGAGE, LH FLOAT
9	1	1006227	SKIN, TOP, WHEEL WELL, LH FLOAT
10	1	1006229	SKIN, TOP, AFT, OUTBOARD, LH FLOAT
11	1	1006231	SKIN, TOP, AFT, INBOARD, LH FLOAT
12	1	1006233	SKIN, TOP, AFT
13	5	1006254	BRACE, TOPDECK COVER
14	1	1006255	RAIL, FWD, LH, 8750
15	1	1006256	RAIL, FWD, RH, 8750
16	4	1006267	JAMB, BAGGAGE DOOR
17	4	1006268	JAMB, END, BAGGAGE DOOR
18	1	1006271	BRACE, TOPSKIN
19	1	1006272	DOUBLER, BALLARD FWD
20	1	1006273	DOUBLER, BALLARD, AFT
21	1	1006382	COVER, FWD, TOPSKIN, BH02-BH04
22	1	1006383	COVER, FWD, TOPSKIN, BH04-BH05
23	1	1006384	COVER, AFT, SINGLE, TOPSKIN, BH11-12
24	2	1006385	COVER, AFT, TOPSKIN
25	1	1006386	COVER, AFT, SINGLE, TOPSKIN
26	2	1006387	COVER, TOPDECK, FITTING, BH04 & BH05
27	2	1006388	COVER, TOPDECK, BH04 & BH05
28	1	1006389	COVER, TOPDECK, GEAR BOLTS
29	1	1006391	COVER, FITTING, BH10
30	1	1006393	COVER, FITTING, BH11, LEFT FLOAT
31	2	1006487	RAIL, FWD, BH04-BH05, 8750
32	9	1011004	ASSEMBLY, CUP, PUMPOUT, DUCKBILL
	9	4A01749-001	CUP, PUMP OUT

ITEM	QTY	PART NO.	PART DESCRIPTION
	9	1011808	RETAINER, VALVE, DUCKBILL, PUMPOUT PLUG
33	2	6A01213-003	BALLARD, TOP DECK, TIE DOWN
	A/R	RM720	SEAL, COVER, TOPDECK (NOT SHOWN)
	4	1002663	BAGGAGE LOCK RING (NOT SHOWN)
34	100	MS24693S50	SCREW, FLAT HEAD (100 DEG), CARBON STEEL, 8-32 THREAD, 1/2" LENGTH (NOT SHOWN FOR TOPSKIN COVERS)

TOP DECK ASSEMBLY RIGHT FLOAT (AMPHIBIAN)

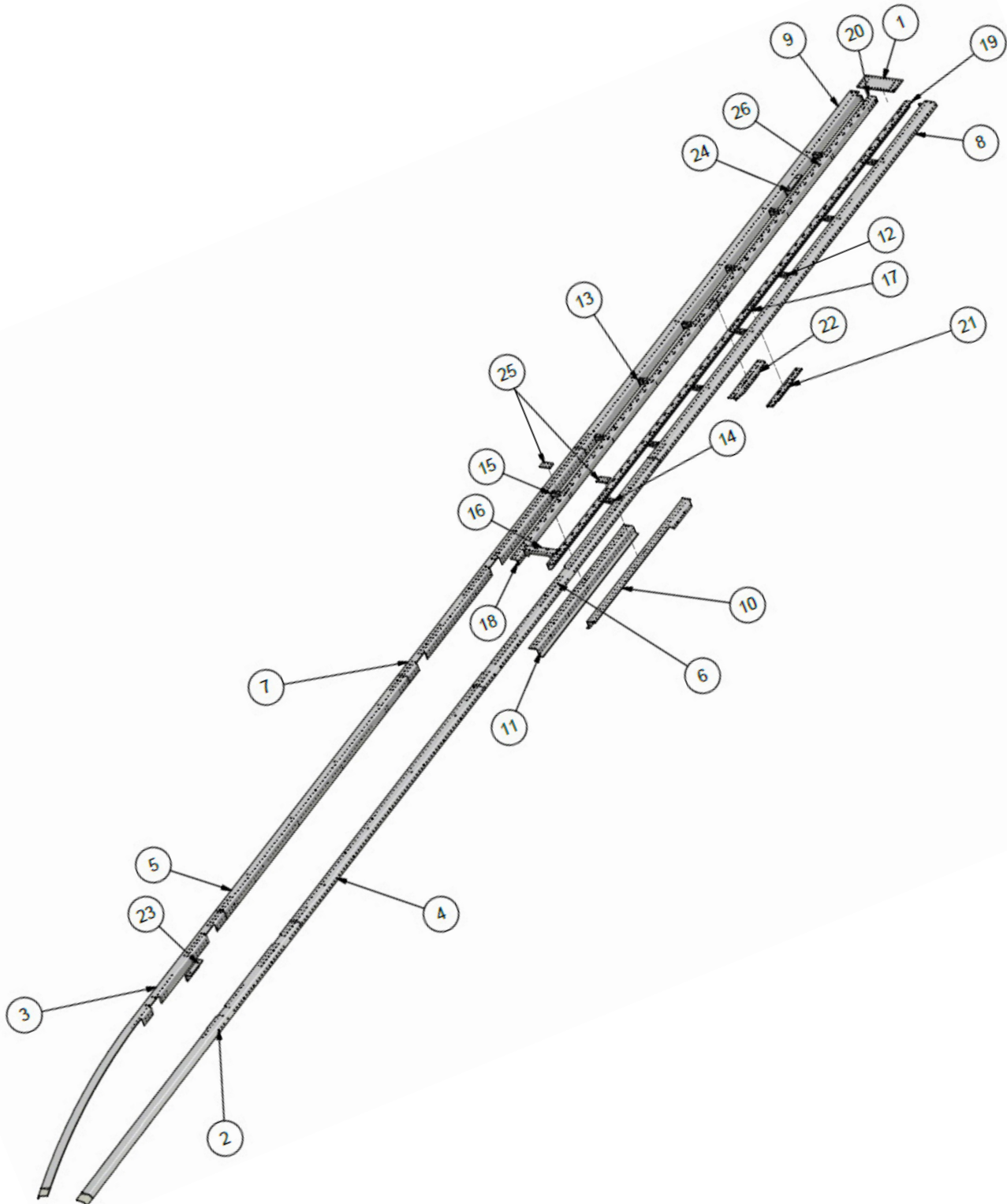


ITEM	QTY	PART NO.	PART DESCRIPTION
1	4	1003860	STRIKE PLATE, BAGGAGE DOOR LOCK
2	1	1004568	ASSEMBLY, COVER, GEAR ACCESS, RH
	1	1004565	COVER, GEAR ACCESS (NOTSHOWN)
	1	1004575	PLACARD, GEAR WARNING, R/H (NOTSHOWN)
	8	2600-3	CAMLOC STUD (NOTSHOWN)
	8	S3275-302	RETAINING RING, CAMLOC (NOTSHOWN)
3	12	1004593	COVER, 4" INSPECTION
	12	1009941	GASKET, INSPECTION COVER
	72	AN526C632R8	SCREW, TRUSS HEAD MACHINE, 6-32 THREAD, 1/2" LENGTH
	72	MS21044N06	NUT, (250 DEG), NYLON INSERT, CARBON STEEL, 6-32
	144	NAS1149FN632P	WASHER, CARBON STEEL, TO FIT DIA #6
4	2	1006196	BAGGAGE LIP
5	2	1006197	BAGGAGE LIP
6	2	1006200	ASSY, BAGGAGE DOOR
7	1	1006224	SKIN, TOP, FWD, RH FLOAT
8	1	1006226	SKIN, TOP, BAGGAGE, RH FLOAT
9	1	1006228	SKIN, TOP, WHEEL WELL, RH FLOAT
10	1	1006230	SKIN, TOP, AFT, OUTBOARD, RH FLOAT
11	1	1006232	SKIN, TOP, AFT, INBOARD, RH FLOAT
12	1	1006233	SKIN, TOP, AFT
13	5	1006254	BRACE, TOPDECK COVER
14	1	1006255	RAIL, FWD, LH, 8750
15	1	1006256	RAIL, FWD, RH, 8750
16	4	1006267	JAMB, BAGGAGE DOOR
17	4	1006268	JAMB, END, BAGGAGE DOOR
18	1	1006271	BRACE, TOPSKIN
19	1	1006272	DOUBLER, BALLARD FWD
20	1	1006273	DOUBLER, BALLARD, AFT
21	1	1006382	COVER, FWD, TOPSKIN, BH02-BH04
22	1	1006383	COVER, FWD, TOPSKIN, BH04-BH05
23	1	1006384	COVER, AFT, SINGLE, TOPSKIN, BH11-12
24	2	1006385	COVER, AFT, TOPSKIN
25	1	1006386	COVER, AFT, SINGLE, TOPSKIN
26	2	1006387	COVER, TOPDECK, FITTING, BH04 & BH05
27	2	1006388	COVER, TOPDECK, BH04 & BH05
28	1	1006389	COVER, TOPDECK, GEAR BOLTS
29	1	1006391	COVER, FITTING, BH10
30	1	1006394	COVER, FITTING, BH11, RIGHT FLOAT
31	2	1006487	RAIL, FWD, BH04-BH05, 8750
32	9	1011004	ASSEMBLY, CUP, PUMPOUT, DUCKBILL
	9	4A01749-001	CUP, PUMP OUT

PARTS MANUAL
8750 FLOATS ON CESSNA 208 AND 208B

ITEM	QTY	PART NO.	PART DESCRIPTION
	9	1011808	RETAINER, VALVE, DUCKBILL, PUMPOUT PLUG
33	2	6A01213-003	BALLARD, TOP DECK, TIE DOWN
	A/R	RM720	SEAL, COVER, TOPDECK (NOT SHOWN)
	4	1002663	BAGGAGE LOCK RING (NOT SHOWN)
34	100	MS24693S50	SCREW, FLAT HEAD (100 DEG), CARBON STEEL, 8-32 THREAD, 1/2" LENGTH (NOT SHOWN FOR TOPSKIN COVERS)

TOP DECK SUB STRUCTURE (AMPHIBIAN)



PARTS MANUAL
8750 FLOATS ON CESSNA 208 AND 208B

ITEM	QTY	PART NO.	PART DESCRIPTION
1	1	1006233	SKIN, TOP, AFT
2	1	1006234	GUNWALL, FWD, LEFT
3	1	1006235	GUNWALL, FWD, RIGHT
4	1	1006236	GUNWALL, BAGGAGE LEFT
5	1	1006237	GUNWALL, BAGGAGE, RH
6	1	1006238	GUNWALL, WHEEL WELL, RH
7	1	1006239	GUNWALL, WHEEL WELL, LH
8	1	1006240	GUNWALL, AFT, LEFT
9	1	1006241	GUNWALL, AFT, RIGHT
10	1	1006246	NEST, GUNWALL, AFT, LH
11	2	1006247	NEST, GUNWALL, AFT, RH
12	6	1006250	MOUNT, BULKHEAD, 12-19, LH
13	6	1006251	MOUNT, BULKHEAD, 12-19, RH
14	1	1006252	MOUNT, BULKHEAD, 12, LH
15	1	1006253	MOUNT, BULKHEAD, 16-18, RH
16	5	1006254	BRACE, TOPDECK COVER
17	1	1006257	RAIL, TOPDECK, AFT, LH
18	1	1006258	RAIL, TOPDECK, AFT, RH
19	1	1006259	RAIL, TOPDECK, AFT, LH BH14-19
20	1	1006260	RAIL, TOPDECK, AFT, RH BH14-19
21	1	1006261	RAIL SPLICE, AFT, LH BH14-19
22	1	1006262	RAIL SPLICE, AFT, RH BH14-19
23	1	1006272	DOUBLER, BALLARD FWD
24	1	1006273	DOUBLER, BALLARD, AFT
25	2	1006326	SPLICE, TOPSKIN
26	140	1006420-01	NUTPLATE, NYLON, 8-32

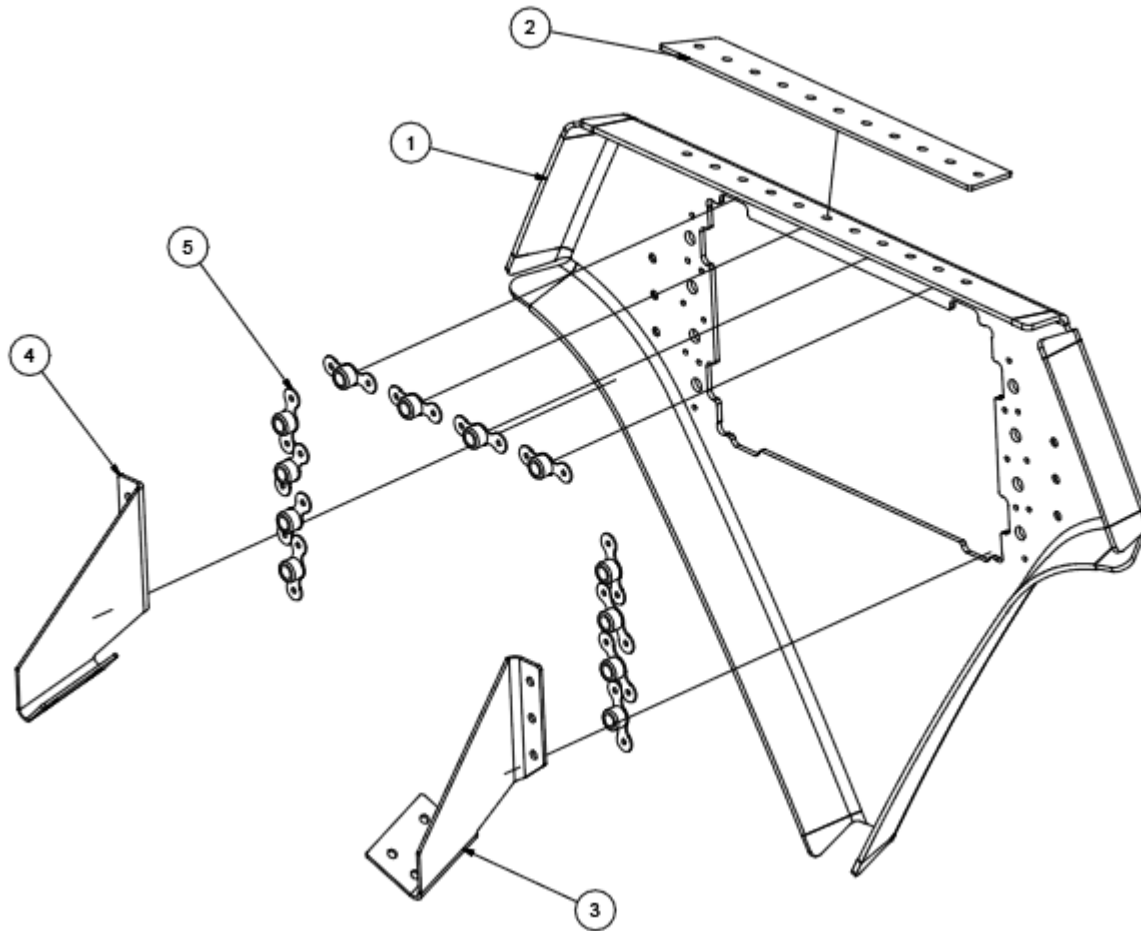
THIS PAGE INTENTIONALLY LEFT BLANK

SECTION 3 FORWARD BULKHEAD ASSEMBLY

CONTENTS

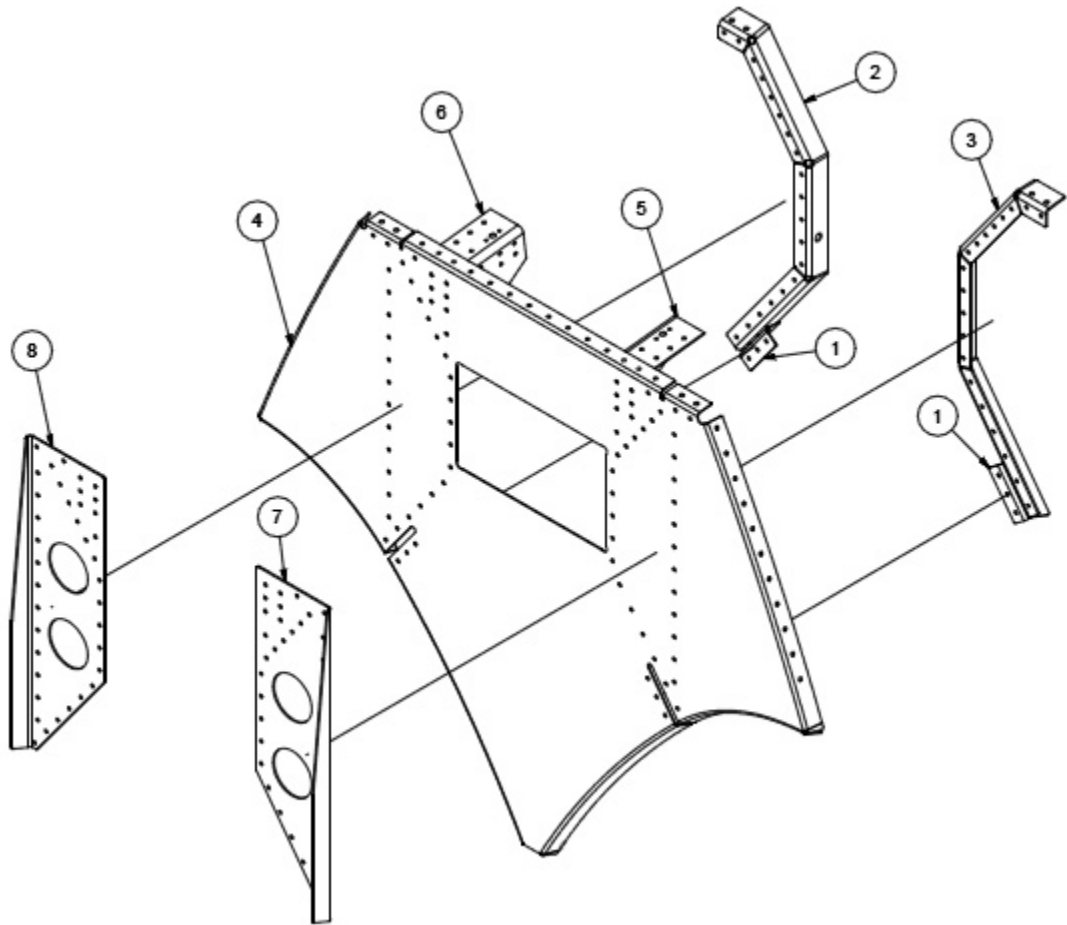
BULKHEAD 1 ASSEMBLY.....	42
BULKHEAD 2 ASSEMBLY.....	43
BULKHEAD 3 ASSEMBLY.....	44
BULKHEAD 4 LEFT FLOAT ASSEMBLY.....	45
BULKHEAD 4 RIGHT FLOAT ASSEMBLY.....	47
BULKHEAD 5 LEFT FLOAT ASSEMBLY.....	49
BULKHEAD 5 RIGHT FLOAT ASSEMBLY.....	52
BULKHEAD 6 ASSEMBLY.....	55
BULKHEAD 7 ASSEMBLY.....	57
BULKHEAD 8 ASSEMBLY.....	59
BULKHEAD 9 ASSEMBLY.....	61
TRUNION LEFT ASSEMBLY.....	63
TRUNION RIGHT ASSEMBLY.....	64

BULKHEAD 1 ASSEMBLY



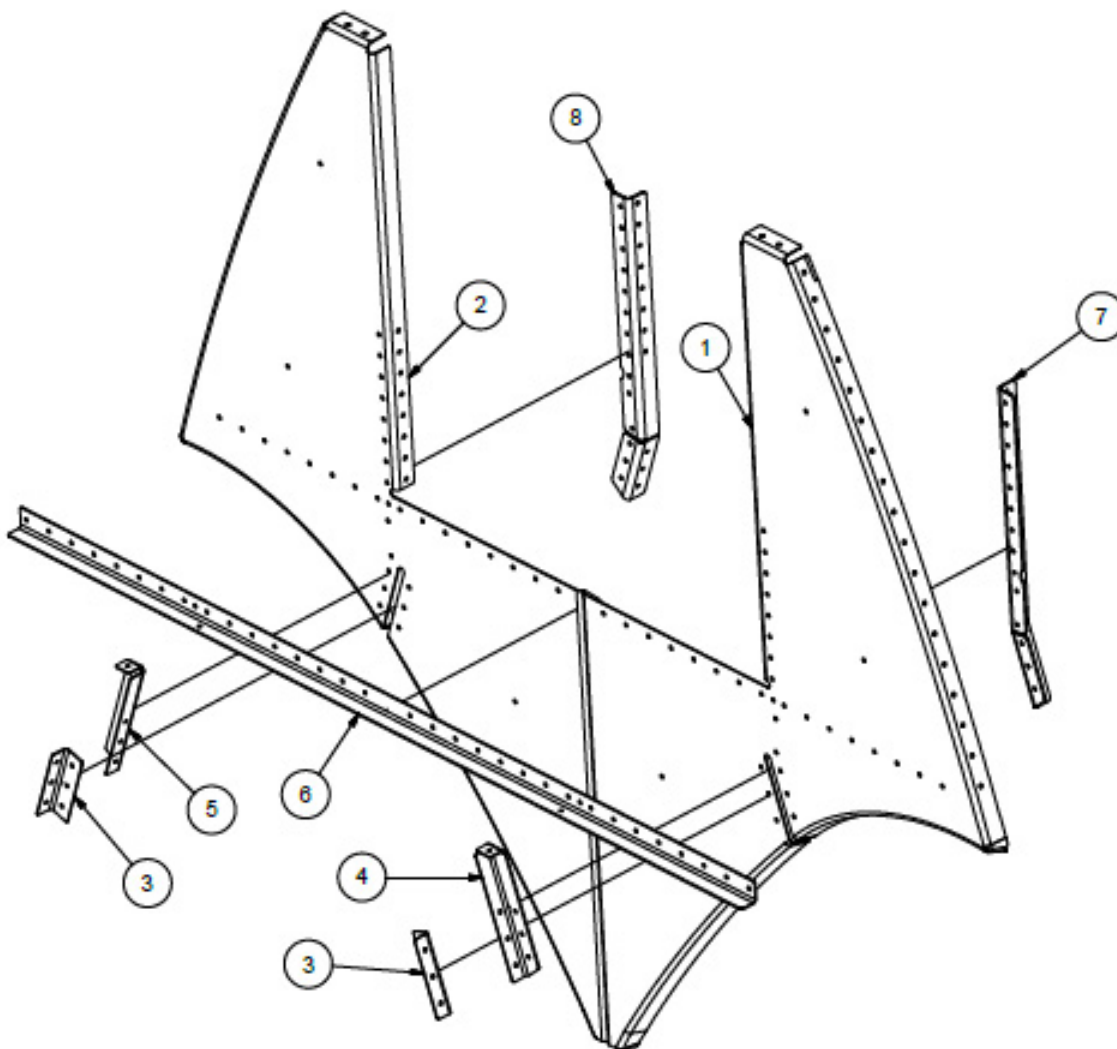
ITEM	QTY	PART NO.	PART DESCRIPTION
-	1	1003035	ASSY., BULKHEAD #1
1	1	1003049	PANEL, BLKHD #1
2	1	1003143	SPACER, TOP SKIN, BLKHD #1
3	1	1003663	BRACKET, RH, SISTER KEEL, BLKHD #1
4	1	1003664	BRACKET, LH, SISTER KEEL, BLKHD #1
5	12	MS21047L4	NUT PLATE, SELF LOCKING

BULKHEAD 2 ASSEMBLY



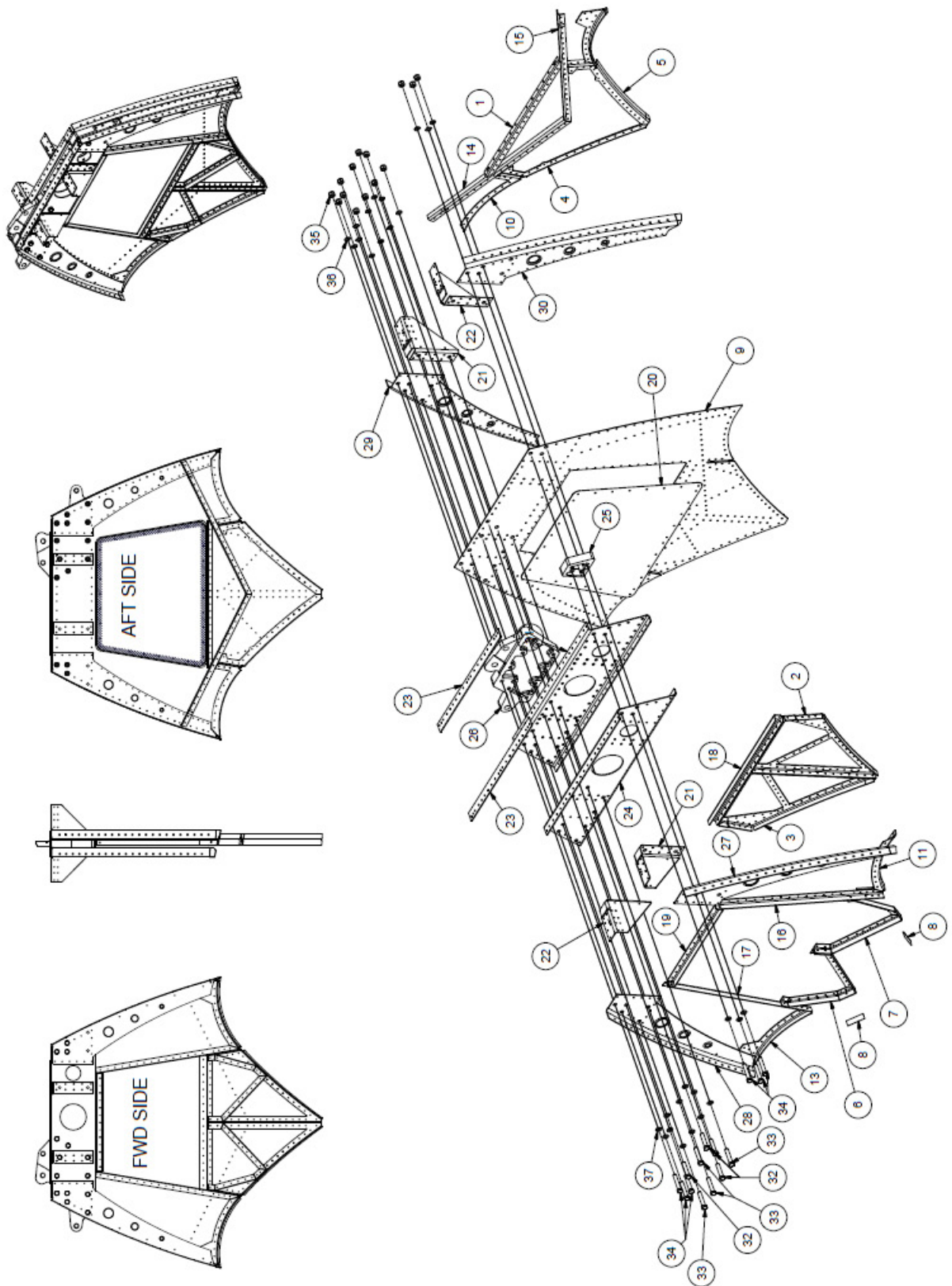
ITEM	QTY	PART NO.	PART DESCRIPTION
-	1	1006048	ASSY., BLKHD #2
1	2	1003694	CLEAT, BLKHD #2
2	1	1003730	SUPPORT, NOSE BOX, RH, BLKHD 2
3	1	1003731	SUPPORT, NOSE BOX, LH, BLKHD 2
4	1	1006135	PANEL, BLKHD 2
5	1	1006136	GUSSET, RAIL, LH, BLKHD #2
6	1	1006137	GUSSET, RAIL, RH, BLKHD #2
7	1	1006138	STIFFENER, NOSE BOX SUPPORT, LT, BLKHD 2
8	1	1006139	STIFFENER, NOSE BOX SUPPORT, RH, BLKHD 2

BULKHEAD 3 ASSEMBLY



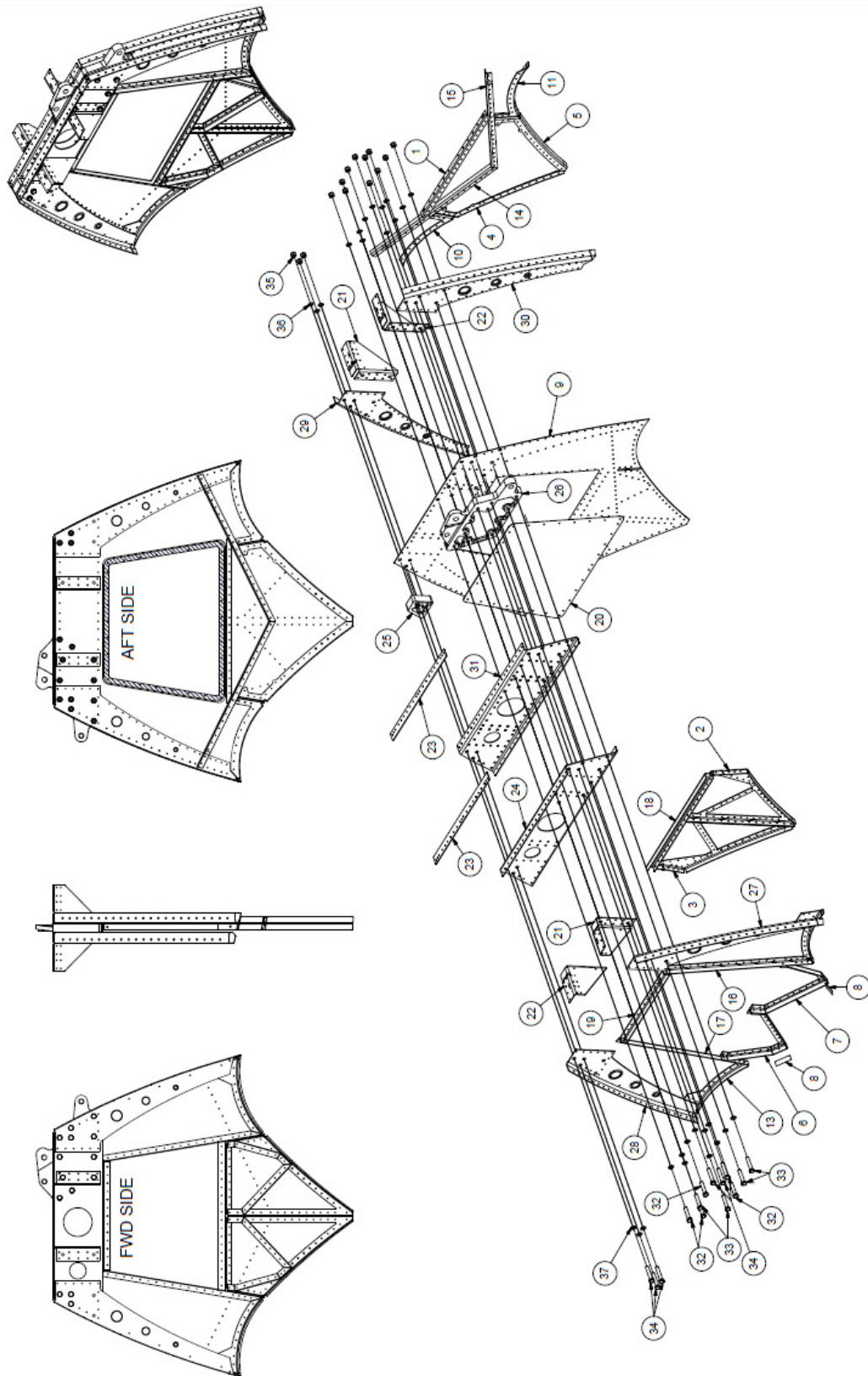
ITEM	QTY	PART NO.	PART DESCRIPTION
-	1	1003037	ASSY., BULKHEAD #3
1	1	1003095	PANEL, LEFT, BLKHD #3
2	1	1003096	PANEL, RIGHT, BLKHD #3
3	2	1003259	CLEAT, BLKHD #3
4	1	1003261	CLEAT, HORIZ TIE, LH, BLKHD #3
5	1	1003262	CLEAT, HORIZ TIE, RH, BLKHD #3
6	1	1003264	STIFFENER, BLKHD #3
7	1	1003735	CLEAT, STIFFENER, LH, BLKHD #3
8	1	1003736	CLEAT, STIFFENER, RH, BLKHD #3

BULKHEAD 4 LEFT FLOAT ASSEMBLY



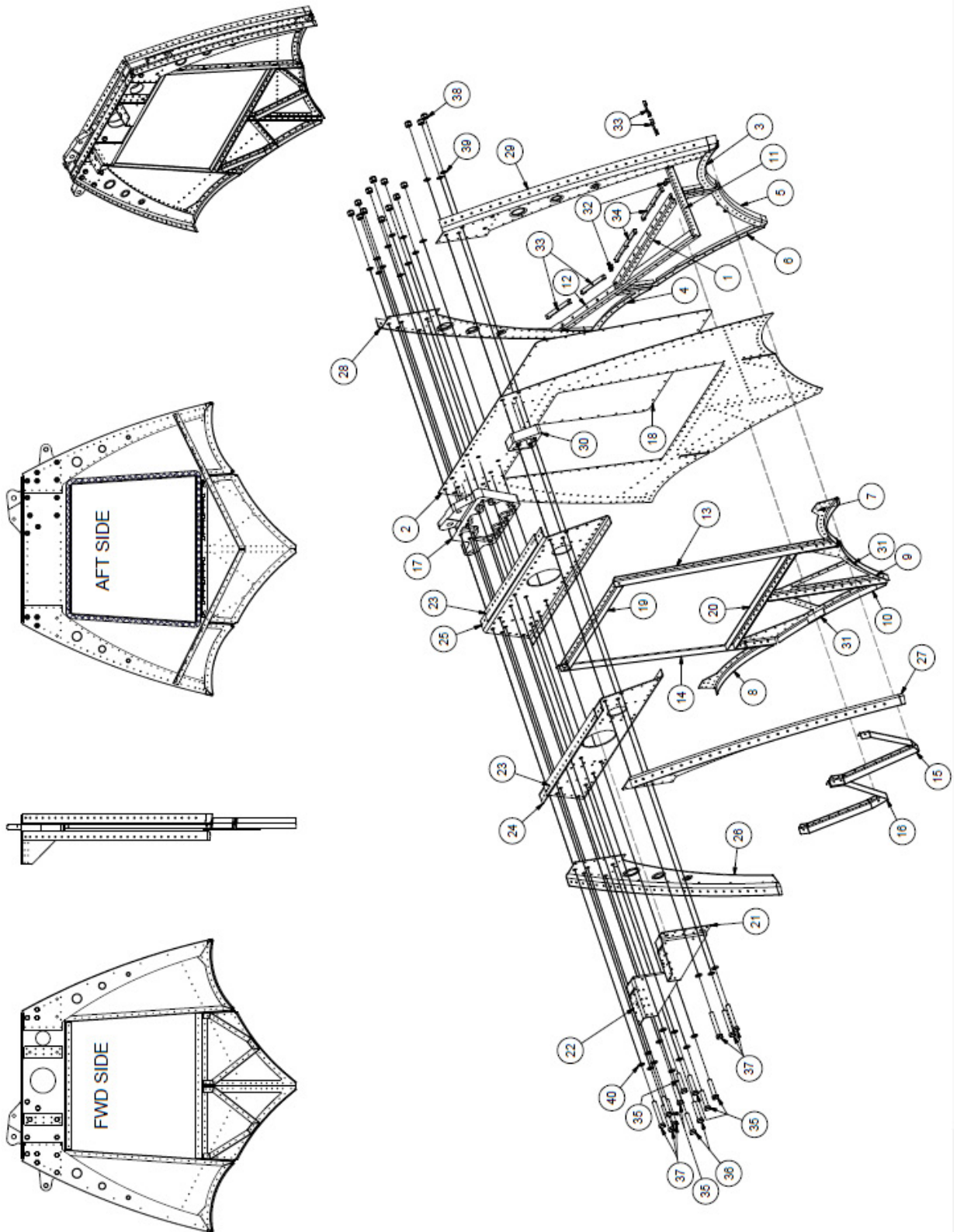
ITEM	QTY	PART NO.	PART DESCRIPTION
-	1	1006049	ASSY., BLKHD #4 LEFT FLOAT
1	1	1002940	SUPPORT, BAGGAGE FLOOR, BLKHD 4, 5
2	1	1002949	FLUTE, FWD, LH, BLKHD 4
3	1	1002950	FLUTE, FWD, RH, BLKHD 4
4	1	1002952	FLANGE, BOTTOM, CENTER, RH, BLKHD 4
5	1	1002953	FLANGE, BOTTOM, CENTER, LH, BLKHD 4
6	1	1003645	TRUSS, FLUTE SUPPORT, RT, BLKHD 4
7	1	1003646	TRUSS, FLUTE SUPPORT, LT, BLKHD 4
8	2	1003811	SHIM, BLKHD 4, 7000
9	1	1006074	PANEL, MAIN, BLKHD 4, 8750
10	1	1006094	FLANGE, BOTTOM, SIDE, AFT, RIGHT, BLKHD 4, 8750
11	1	1006095	FLANGE, BOTTOM, SIDE, AFT, LH, BLKHD 4
12	1	1006104	FLANGE, BOTTOM, SIDE, FWD, LEFT, BLKHD 4, 8750
13	1	1006105	FLANGE, BOTTOM, SIDE, FWD RH, BLKHD 4
14	1	1006120	STIFFENER, DIAGONAL, RIGHT, BLKHD 4, 8750
15	1	1006121	STIFFENER, DIAGONAL, LH, BAGGAGE FLOOR, BLKHD 4
16	1	1006124	STIFFENER, VERTICAL, LEFT, BLKHD 4, 8750
17	1	1006125	STIFFENER, VERTICAL, RH, BLKHD 4
18	1	1006274	ANGLE, ACCESS COVER SUPPORT, BOTTOM, BH04, 8750
19	1	1006275	ANGLE, ACCESS COVER SUPPORT, TOP, BH04, 8750
20	1	1006277	PANEL, ACCESS, BH04
	A/R	MS20426AD4-4.5	RIVETS (NOT SHOWN)
21	2	1006281	GUSSET, LEFT, TOPDECK RAIL, BLKHD 05
22	2	1006282	GUSSET, RIGHT, TOPDECK RAIL, BLKHD 05
23	2	1006287	SPACER, TOPSKIN TO SUPER PANEL
24	1	1006288	BRACE, SUPERPANEL, FWD, BLKHD 05, LEFT FLOAT
25	1	1006329	SPACER, BATHTUB
26	1	1006473	FITTING, STRUT, FWD, BLKHD 04, LEFT FLOAT
27	1	1006475	LEG, SUPERPANEL, FWD, LEFT, BLKHD 4
28	1	1006476	LEG, SUPERPANEL, FWD, RIGHT, BLKHD 4
29	1	1006477	LEG, SUPERPANEL, AFT, LEFT, BLKHD 4
30	1	1006478	LEG, SUPERPANEL, AFT, RIGHT, BLKHD 4, 8750
31	1	1006479	BRACE, SUPERPANEL, AFT, BLKHD 4, LEFT FLOAT, 8750
32	4	AN6-16A	BOLT, 3/8-24 THREAD, GRIP 1.188"
33	4	AN6-17A	BOLT, 3/8-24 THREAD, 1-5/16" GRIP, 1-61/64" LENGTH
34	6	AN6-20A	BOLT, AIRFRAME, 3/8-24 THREAD, 1-7/16" GRIP, 2-5/64 LENGTH
35	14	MS21044N6	NUT, NYLON INSERT, 250 DEG, STEEL, 0.375-24 THREAD
36	14	NAS1149D0616J	WASHER, ALUMINUM, SUPERSEDES AN960D616L
37	14	NAS1149D0663J	WASHER FLAT, SIZE 3/8 OD.625 ID.390 THK.063 ALUMINUM

BULKHEAD 4 RIGHT FLOAT ASSEMBLY



ITEM	QTY	PART NO.	PART DESCRIPTION
-	1	1006050	ASSY., BLKHD #4 RIGHT FLOAT
1	1	1002940	SUPPORT, BAGGAGE FLOOR, BLKHD 4, 5
2	1	1002949	FLUTE, FWD, LH, BLKHD 4
3	1	1002950	FLUTE, FWD, RH, BLKHD 4
4	1	1002952	FLANGE, BOTTOM, CENTER, RH, BLKHD 4
5	1	1002953	FLANGE, BOTTOM, CENTER, LH, BLKHD 4
6	1	1003645	TRUSS, FLUTE SUPPORT, RT, BLKHD 4
7	1	1003646	TRUSS, FLUTE SUPPORT, LT, BLKHD 4
8	2	1003811	SHIM, BLKHD 4, 7000
9	1	1006074	PANEL, MAIN, BLKHD 4, 8750
10	1	1006094	FLANGE, BOTTOM, SIDE, AFT, RIGHT, BLKHD 4, 8750
11	1	1006095	FLANGE, BOTTOM, SIDE, AFT, LH, BLKHD 4
12	1	1006104	FLANGE, BOTTOM, SIDE, FWD, LEFT, BLKHD 4, 8750
13	1	1006105	FLANGE, BOTTOM, SIDE, FWD RH, BLKHD 4
14	1	1006120	STIFFENER, DIAGONAL, RIGHT, BLKHD 4, 8750
15	1	1006121	STIFFENER, DIAGONAL, LH, BAGGAGE FLOOR, BLKHD 4
16	1	1006124	STIFFENER, VERTICAL, LEFT, BLKHD 4, 8750
17	1	1006125	STIFFENER, VERTICAL, RH, BLKHD 4
18	1	1006274	ANGLE, ACCESS COVER SPRT, BOTTOM, BH04, 8750
19	1	1006275	ANGLE, ACCESS COVER SPRT, TOP, BH04, 8750
20	1	1006277	PANEL, ACCESS, BH04
	A/R	MS20426AD4-4.5	RIVETS (NOT SHOWN)
21	2	1006281	GUSSET, LEFT, TOPDECK RAIL, BLKHD 05
22	2	1006282	GUSSET, RIGHT, TOPDECK RAIL, BLKHD 05
23	2	1006287	SPACER, TOPSKIN TO SUPER PANEL
24	1	1006289	BRACE, SUPERPANEL, FWD, BLKHD 05, RIGHT FLOAT
25	1	1006329	SPACER, BATHTUB
26	1	1006474	FITTING, STRUT, FWD, BLKHD 04, RIGHT FLOAT
27	1	1006475	LEG, SUPERPANEL, FWD, LEFT, BLKHD 4
28	1	1006476	LEG, SUPERPANEL, FWD, RIGHT, BLKHD 4
29	1	1006477	LEG, SUPERPANEL, AFT, LEFT, BLKHD 4
30	1	1006478	LEG, SUPERPANEL, AFT, RIGHT, BLKHD 4, 8750
31	1	1006480	BRACE, SUPERPANEL, AFT, BLKHD 4, RIGHT FLOAT
32	4	AN6-16A	BOLT, 3/8-24 THREAD, GRIP 1.188"
33	4	AN6-17A	BOLT, 3/8-24 THREAD, 1-5/16" GRIP, 1-61/64" LENGTH
34	6	AN6-20A	BOLT, AIRFRAME, 3/8-24 THREAD, 1-7/16" GRIP, 2-5/64" LENGTH
35	14	MS21044N6	NUT, NYLON INSERT, 250 DEG, STEEL, 0.375-24 THREAD
36	14	NAS1149D0616J	WASHER, ALUMINUM
37	14	NAS1149D0663J	WASHER SCREW SIZE 3/8 OD.625 ID.390 THK.063 ALUM

BULKHEAD 5 LEFT FLOAT ASSEMBLY

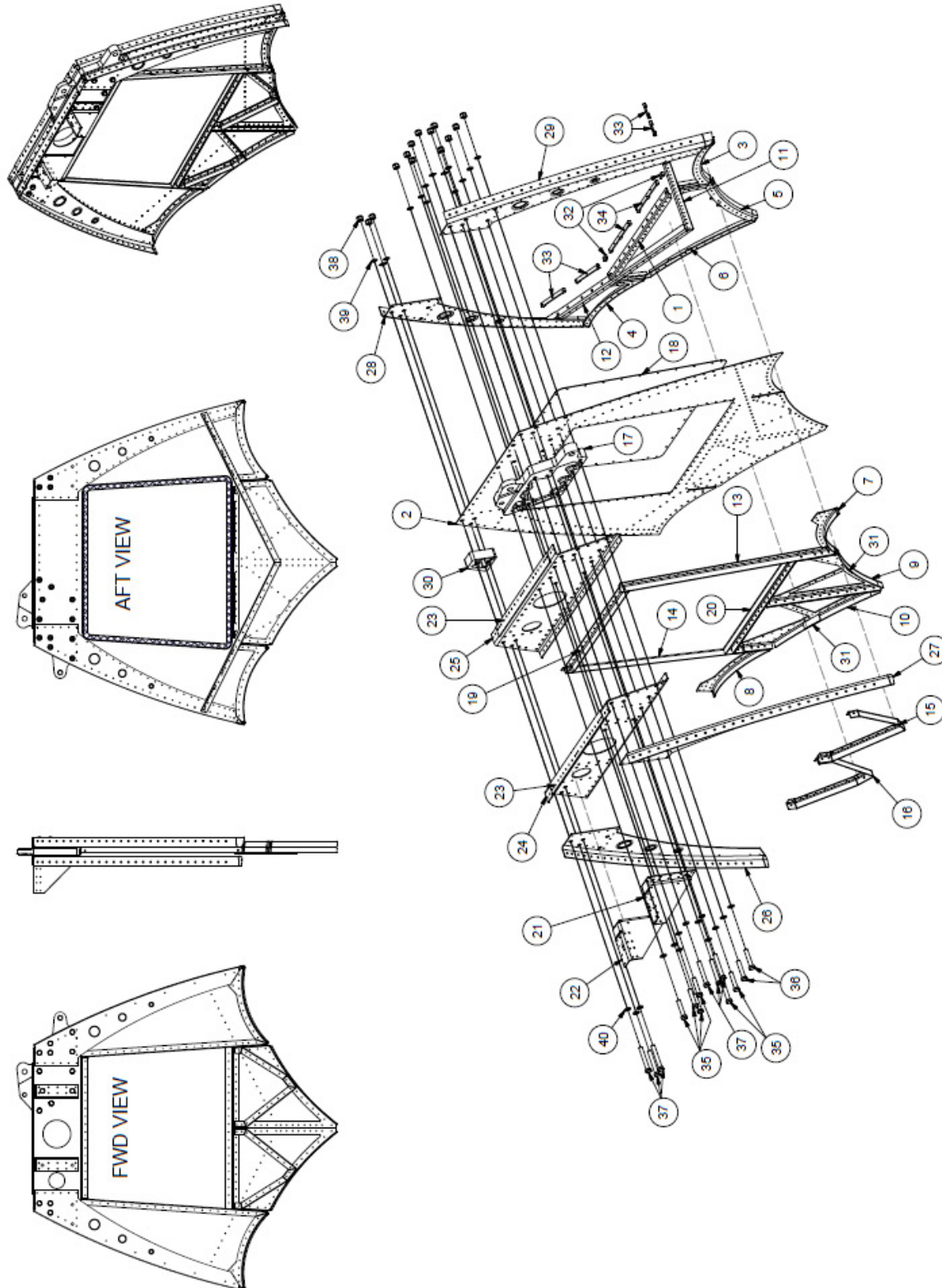


ITEM	QTY	PART NO.	PART DESCRIPTION
-	1	1006051	ASSY., BLKHD #5 LEFT FLOAT
1	1	1003562	SUPPORT, BAGGAGE FLOOR, BLKHD 8
2	1	1006075	PANEL, MAIN, BH05
3	1	1006096	FLANGE, BOTTOM, SIDE, AFT, LH, BLKHD 5
4	1	1006097	FLANGE, BOTTOM, SIDE, AFT, RH, BLKHD 5
5	1	1006100	FLANGE, BOTTOM, CENTER, LH, BLKHD 5
6	1	1006101	FLANGE, BOTTOM, CENTER, RH, BLKHD 5
7	1	1006106	FLANGE, BOTTOM, SIDE, FWD LH, BLKHD 5
8	1	1006107	FLANGE, BOTTOM, SIDE, FWD RH, BLKHD 5
9	1	1006116	FLUTE, FWD, LH, BLKHD 5
10	1	1006117	FLUTE, FWD, RH, BLKHD 5
11	1	1006122	STIFFENER, DIAGONAL, LH, BAGGAGE FLOOR, BLKHD 5
12	1	1006123	STIFFENER, DIAGONAL, RH, BAGGAGE FLOOR, BLKHD 5
13	1	1006126	STIFFENER, VERTICAL, LH, BLKHD 5
14	1	1006127	STIFFENER, VERTICAL, RH, BLKHD 5
15	1	1006130	TRUSS, FLUTE SUPPORT, LT, BLKHD 5
16	1	1006131	TRUSS, FLUTE SUPPORT, RT, BLKHD 5
17	1	1006217	FITTING, STRUT, FWD, BLKHD 05, LEFT FLOAT
18	1	1006278	PANEL, ACCESS, BLKHD 5
	A/R	MS20426AD4-4.5	RIVETS (NOT SHOWN)
19	1	1006279	SUPPORT, TOP, ACCESS COVER, BLKHD 05
20	1	1006280	SUPPORT, BOTTOM, ACCESS COVER, BLKHD 05
21	1	1006281	GUSSET, LEFT, TOPDECK RAIL, BLKHD 05
22	1	1006282	GUSSET, RIGHT, TOPDECK RAIL, BLKHD 05
23	2	1006287	SPACER, TOPSKIN TO SUPER PANEL
24	1	1006288	BRACE, SUPERPANEL, FWD, BLKHD 05, LEFT FLOAT
25	1	1006290	BRACE, SUPERPANEL, AFT, BLKHD 05, LEFT FLOAT
26	1	1006302	LEG, SUPERPANEL, FWD, RIGHT, BLKHD 05
27	1	1006304	LEG, SUPERPANEL, FWD, LEFT, BLKHD 05
28	1	1006306	LEG, SUPERPANEL, AFT, RIGHT, BLKHD 05
29	1	1006308	LEG, SUPERPANEL, AFT, LEFT, BLKHD 05
30	1	1006329	SPACER, BATHTUB
31	2	1006330	SHIM, TRUSS, FLUTE SUPPORT, BLKHD 05
32	2	1006511	NUTPLATE, NYLON, SINGLE, 8-32
33	4	1006512	NUTPLATE, NYLON, DOUBLE, 8-32
34	2	1006513	NUTPLATE, NYLON, TRIPLE, 8-32
35	6	AN6-16A	BOLT, 3/8-24 THREAD, GRIP 1.188"
36	2	AN6-17A	BOLT, 3/8-24 THREAD, 1-5/16" GRIP, 1-61/64" LENGTH
37	6	AN6-24A	BOLT, 3/8-24 THREAD, 1-15/16" GRIP, 2-37/64" LENGTH
38	14	MS21044N6	NUT, NYLON INSERT, 250 DEG, STEEL, 0.375-24 THREAD
39	14	NAS1149D0616J	WASHER, ALUMINUM

PARTS MANUAL
8750 FLOATS ON CESSNA 208 AND 208B

ITEM	QTY	PART NO.	PART DESCRIPTION
40	14	NAS1149D0663J	WASHER SCREW SIZE 3/8 OD.625 ID.390 THK.063 ALUM

BULKHEAD 5 RIGHT FLOAT ASSEMBLY

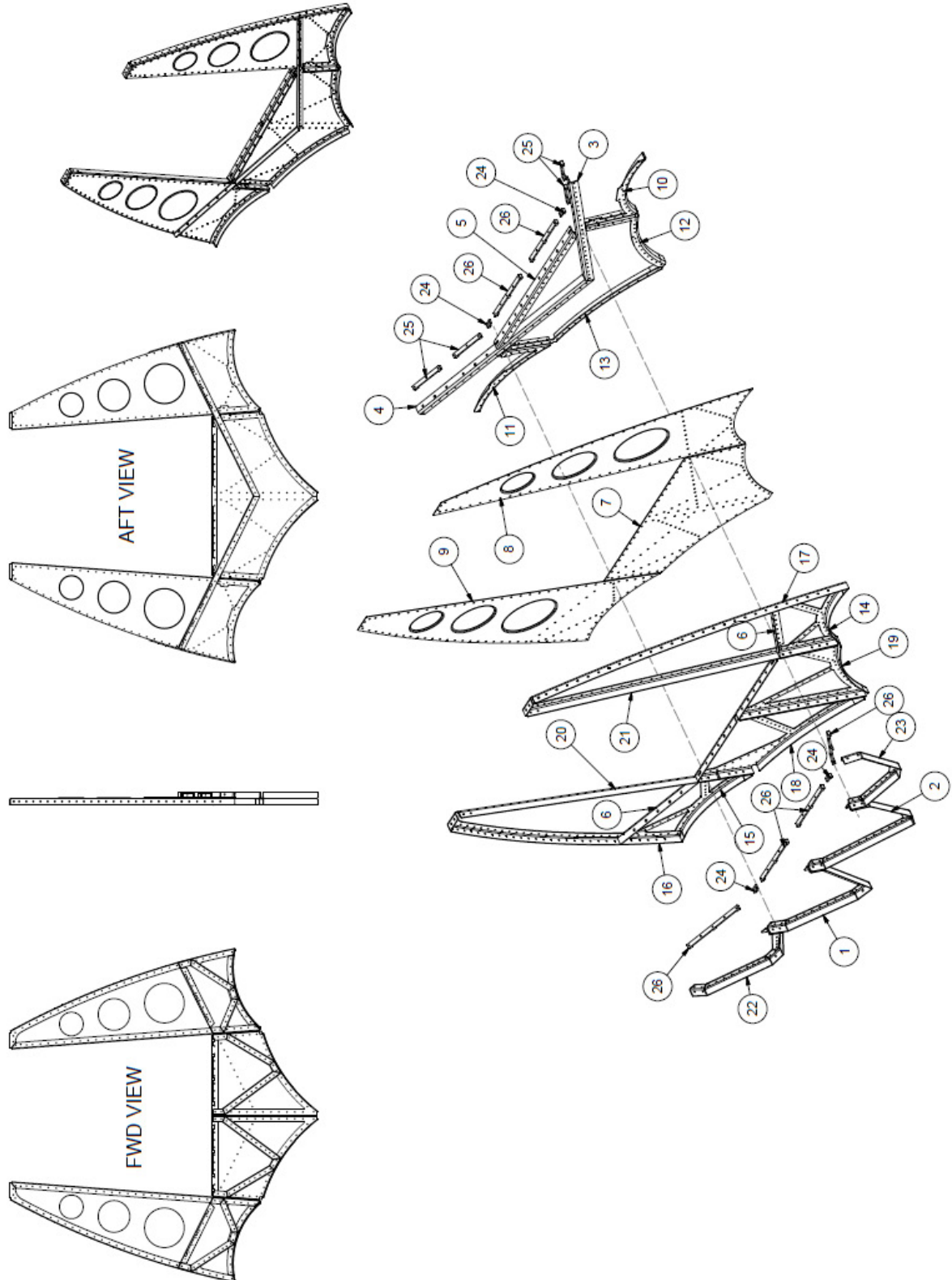


PARTS MANUAL
8750 FLOATS ON CESSNA 208 AND 208B

ITEM	QTY	PART NO.	PART DESCRIPTION
-	1	1006052	ASSY., BLKHD #5 LEFT FLOAT
1	1	1003562	SUPPORT, BAGGAGE FLOOR, BLKHD 8
2	1	1006075	PANEL, MAIN, BH05
3	1	1006096	FLANGE, BOTTOM, SIDE, AFT, LH, BLKHD 5
4	1	1006097	FLANGE, BOTTOM, SIDE, AFT, RH, BLKHD 5
5	1	1006100	FLANGE, BOTTOM, CENTER, LH, BLKHD 5
6	1	1006101	FLANGE, BOTTOM, CENTER, RH, BLKHD 5
7	1	1006106	FLANGE, BOTTOM, SIDE, FWD LH, BLKHD 5
8	1	1006107	FLANGE, BOTTOM, SIDE, FWD RH, BLKHD 5
9	1	1006116	FLUTE, FWD, LH, BLKHD 5
10	1	1006117	FLUTE, FWD, RH, BLKHD 5
11	1	1006122	STIFFENER, DIAGONAL, LH, BAGGAGE FLOOR, BLKHD 5
12	1	1006123	STIFFENER, DIAGONAL, RH, BAGGAGE FLOOR, BLKHD 5
13	1	1006126	STIFFENER, VERTICAL, LH, BLKHD 5
14	1	1006127	STIFFENER, VERTICAL, RH, BLKHD 5
15	1	1006130	TRUSS, FLUTE SUPPORT, LT, BLKHD 5
16	1	1006131	TRUSS, FLUTE SUPPORT, RT, BLKHD 5
17	1	1006218	FITTING, STRUT, FWD, BLKHD 05, RIGHT FLOAT
18	1	1006278	PANEL, ACCESS, BLKHD 5
	A/R	MS20426AD4-4.5	RIVETS (NOT SHOWN)
19	1	1006279	SUPPORT, TOP, ACCESS COVER, BLKHD 05
20	1	1006280	SUPPORT, BOTTOM, ACCESS COVER, BLKHD 05
21	1	1006281	GUSSET, LEFT, TOPDECK RAIL, BLKHD 05
22	1	1006282	GUSSET, RIGHT, TOPDECK RAIL, BLKHD 05
23	2	1006287	SPACER, TOPSKIN TO SUPER PANEL
24	1	1006289	BRACE, SUPERPANEL, FWD, BLKHD 05, RIGHT FLOAT
25	1	1006291	BRACE, SUPERPANEL, AFT, BLKHD 05, RIGHT FLOAT
26	1	1006302	LEG, SUPERPANEL, FWD, RIGHT, BLKHD 05
27	1	1006304	LEG, SUPERPANEL, FWD, LEFT, BLKHD 05
28	1	1006306	LEG, SUPERPANEL, AFT, RIGHT, BLKHD 05
29	1	1006308	LEG, SUPERPANEL, AFT, LEFT, BLKHD 05
30	1	1006329	SPACER, BATHTUB
31	2	1006330	SHIM, TRUSS, FLUTE SUPPORT, BLKHD 05
32	2	1006511	NUTPLATE, NYLON, SINGLE, 8-32
33	4	1006512	NUTPLATE, NYLON, DOUBLE, 8-32
34	2	1006513	NUTPLATE, NYLON, TRIPLE, 8-32
35	6	AN6-16A	BOLT, 3/8-24 THREAD, GRIP 1.188"
36	2	AN6-17A	BOLT, 3/8-24 THREAD, 1-5/16" GRIP, 1-61/64" LENGTH
37	6	AN6-24A	BOLT, 3/8-24 THREAD, 1-15/16" GRIP, 2-37/64" LENGTH
38	14	MS21044N6	NUT, NYLON INSERT, 250 DEG, STEEL, 0.375-24 THREAD
39	14	NAS1149D0616J	WASHER, ALUMINUM

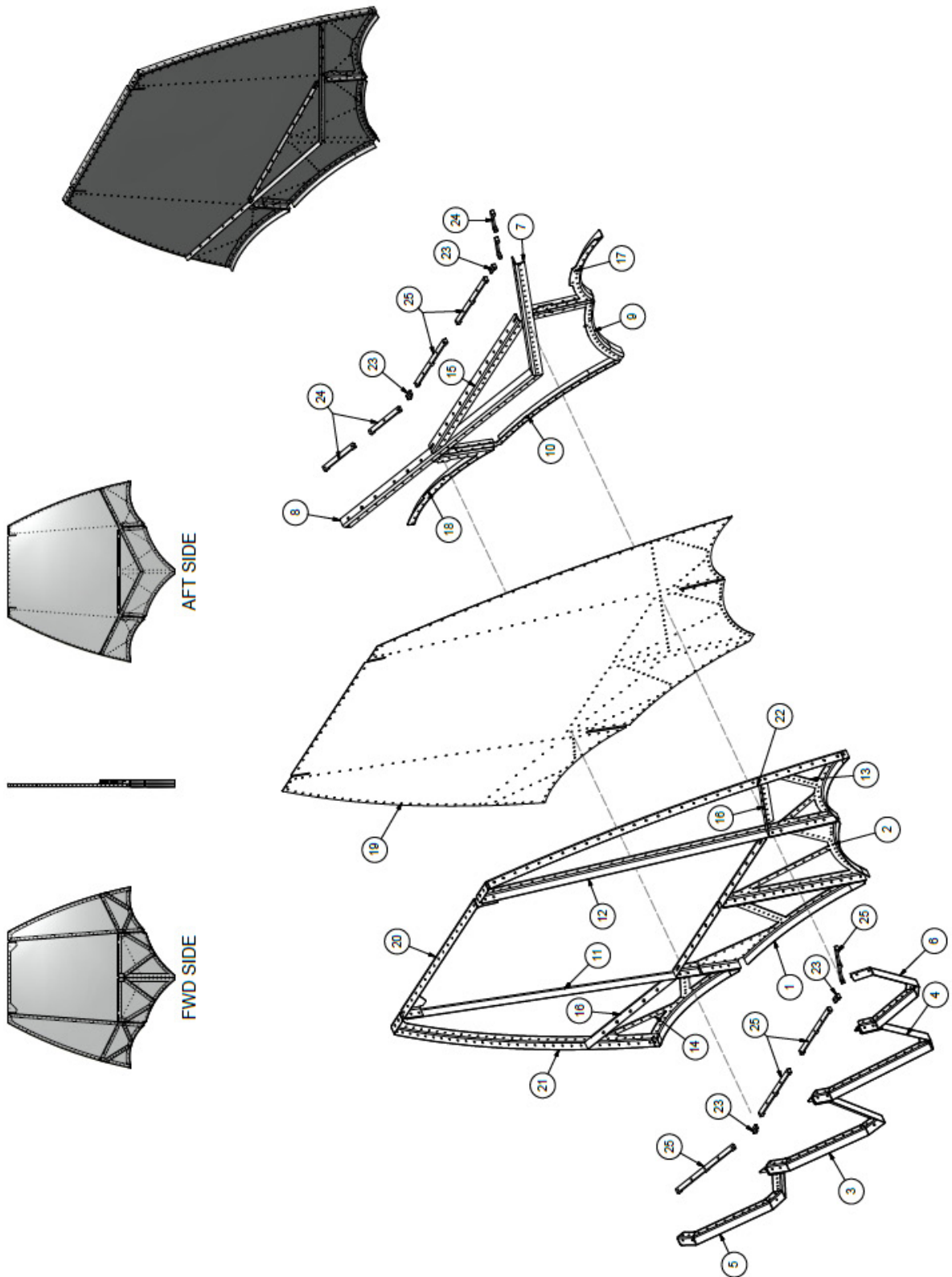
ITEM	QTY	PART NO.	PART DESCRIPTION
40	14	NAS1149D0663J	WASHER SCREW SIZE 3/8 OD.625 ID.390 THK.063 ALUM

BULKHEAD 6 ASSEMBLY



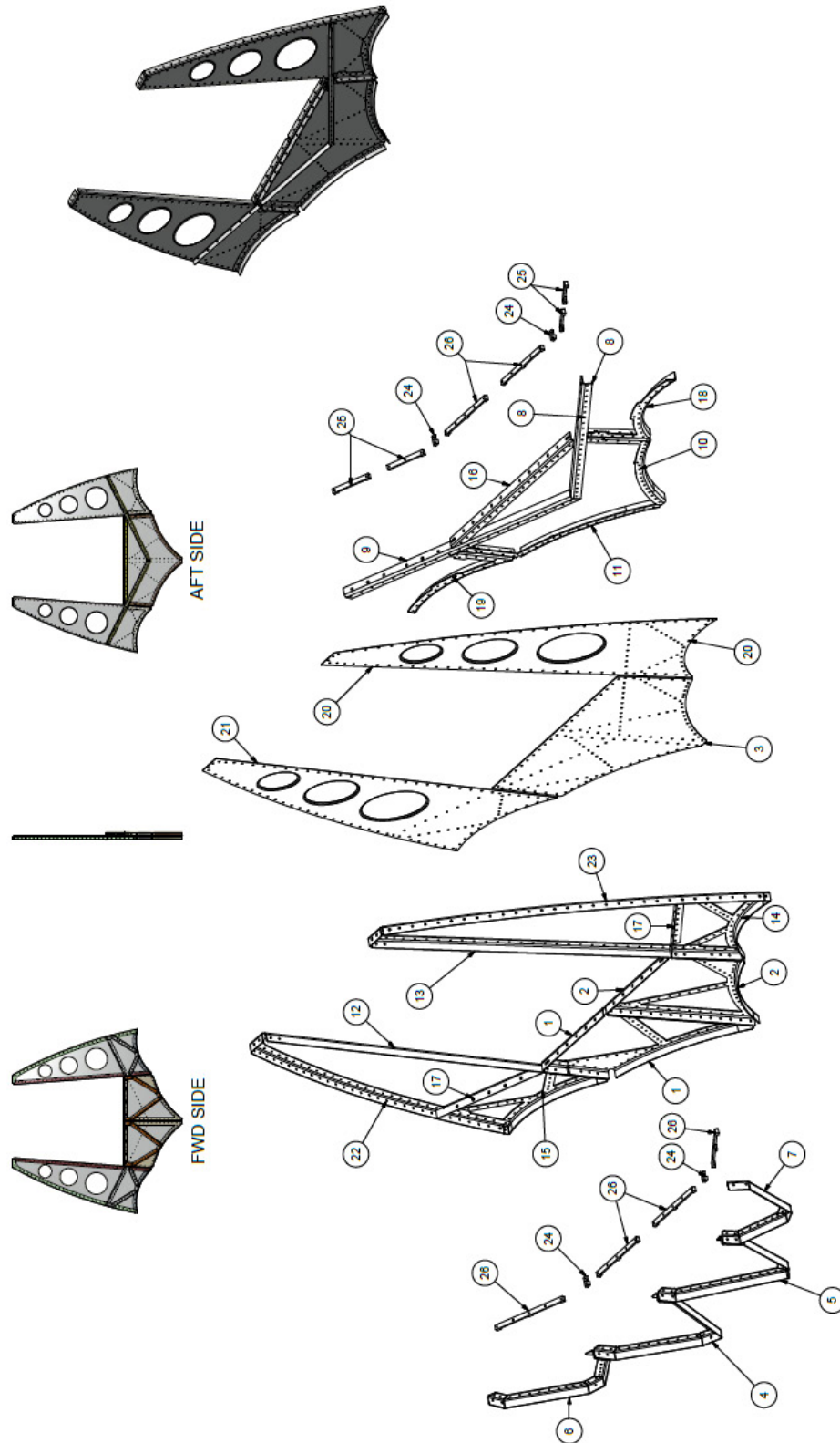
ITEM	QTY	PART NO.	PART DESCRIPTION
-	1	1006053	ASSY., BLKHD #6
1	1	1003550	TRUSS, FLUTE SUPPORT, IBRD, RT, BLKHD 9
2	1	1003551	TRUSS, FLUTE SUPPORT, IBRD, LT, BLKHD 9
3	1	1003554	STIFFENER, DIAGONAL, RH, BAGGAGE FLR, BLKHD 8 & 9
4	1	1003555	STIFFENER, DIAGONAL, LH, BAGGAGE FLR, BLKHD 8 & 9
5	1	1003562	SUPPORT, BAGGAGE FLOOR, BLKHD 8
6	2	1003604	SUPPORT, BAGGAGE FLOOR SIDES, BLKHD 8 & 9
7	1	1006076	PANEL, CENTER, BLKHD 6
8	1	1006077	PANEL, SIDE, LH, BLKHD 6
9	1	1006078	PANEL, SIDE, RH, BLKHD 6
10	1	1006098	FLANGE, BOTTOM, SIDE, AFT, LH, BLKHD 6
11	1	1006099	FLANGE, BOTTOM, SIDE, AFT, RH, BLKHD 6
12	1	1006102	FLANGE, BOTTOM, CENTER, LH, BLKHD 6
13	1	1006103	FLANGE, BOTTOM, CENTER, RH, BLKHD 6
14	1	1006108	FLANGE, BOTTOM, SIDE, FWD LH, BLKHD 6
15	1	1006109	FLANGE, BOTTOM, SIDE, FWD RH, BLKHD 6
16	1	1006114	FLANGE, SIDE, RH, BLKHD 6
17	1	1006115	FLANGE, SIDE, LH, BLKHD 6
18	1	1006118	FLUTE, FWD, RH, BLKHD 6
19	1	1006119	FLUTE, FWD, LH, BLKHD 6
20	1	1006128	STIFFENER, VERTICAL, RH, BLKHD 6
21	1	1006129	STIFFENER, VERTICAL, LH, BLKHD 6
22	1	1006500	TRUSS, FLUTE SUPPORT, OUTBOARD, RIGHT, BLKHD 6
23	1	1006501	TRUSS, FLUTE SUPPORT, OUTBOARD, LEFT, BLKHD 6
24	4	1006511	NUTPLATE, NYLON, SINGLE, 8-32
25	4	1006512	NUTPLATE, NYLON, DOUBLE, 8-32
26	6	1006513	NUTPLATE, NYLON, TRIPLE, 8-32

BULKHEAD 7 ASSEMBLY



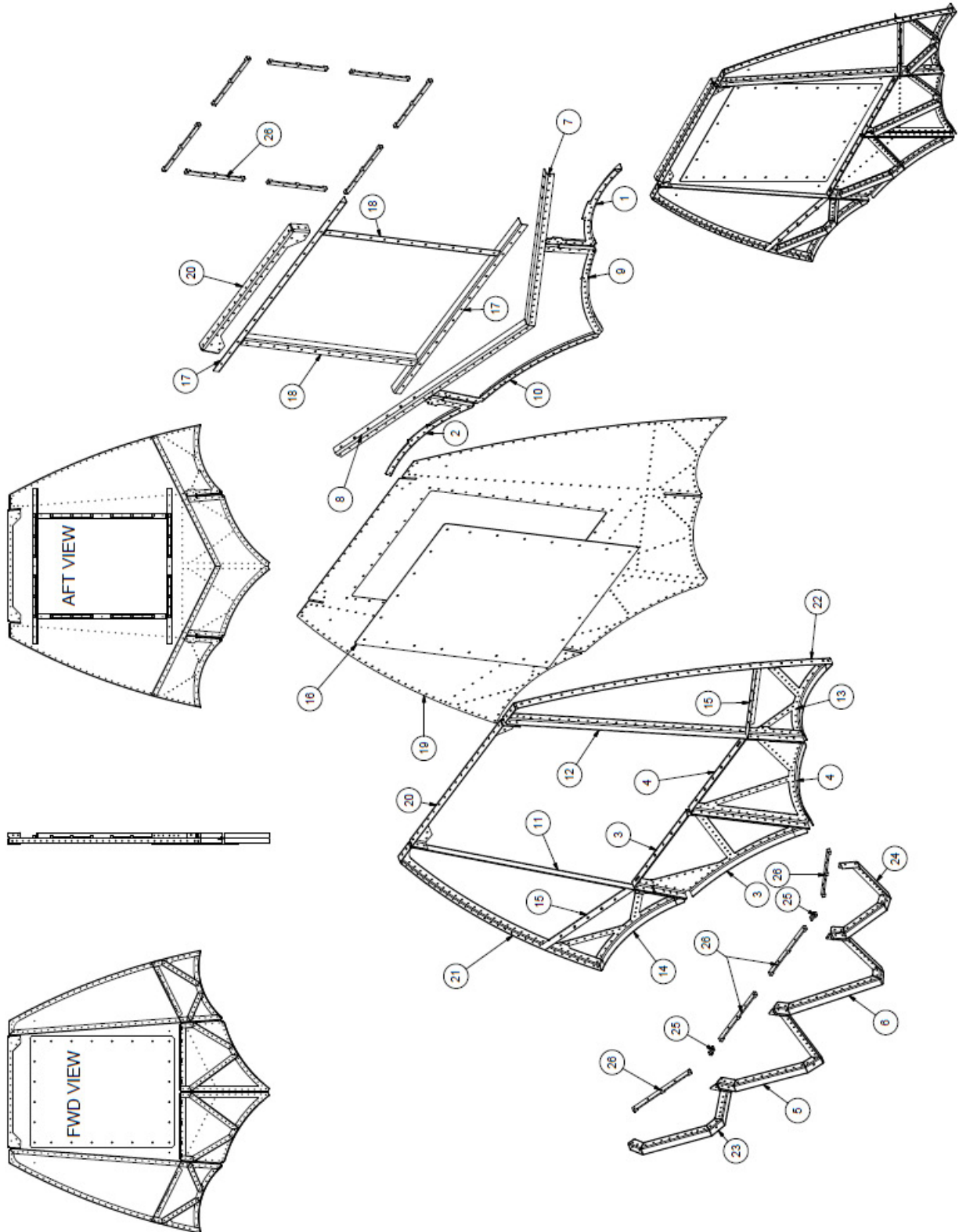
ITEM	QTY	PART NO.	PART DESCRIPTION
-	1	1006054	ASSY., BLKHD #7
1	1	1002873	FLUTE, FWD, RH, BLKHD 7, 8, 9
2	1	1002874	FLUTE, FWD, LH, BLKHD 7, 8, 9
3	1	1003550	TRUSS, FLUTE SUPPORT, IBRD, RT, BLKHD 9
4	1	1003551	TRUSS, FLUTE SUPPORT, IBRD, LT, BLKHD 9
5	1	1003552	TRUSS, FLUTE SUPPORT, OBRD, RT, BLKHD 8
6	1	1003553	TRUSS, FLUTE SUPPORT, OBRD, LT, BLKHD 8
7	1	1003554	STIFFENER, DIAGONAL, RH, BAGGAGE FLOOR, BLKHD 8, 9
8	1	1003555	STIFFENER, DIAGONAL, LH, BAGGAGE FLOOR, BLKHD 8, 9
9	1	1003556	FLANGE, BOTTOM, CENTER, LH, BLKHD 8, 9
10	1	1003557	FLANGE, BOTTOM, CENTER, RH, BLKHD 8, 9
11	1	1003558	STIFFENER, VERTICAL, RH, BLKHD 7,8,9
12	1	1003559	STIFFENER, VERTICAL, LH, BLKHD 7,8,9
13	1	1003560	FLANGE, BOTTOM, SIDE, FWD LH, BLKHD 8, 9
14	1	1003561	FLANGE, BOTTOM, SIDE, FWD, RH, BLKHD 8, 9
15	1	1003562	SUPPORT, BAGGAGE FLOOR, BLKHD 8
16	2	1003604	SUPPORT, BAGGAGE FLOOR SIDES, BLKHD 8, 9
17	1	1003670	FLANGE, BOTTOM, SIDE, AFT, LH, BLKHD 8
18	1	1003671	FLANGE, BOTTOM, SIDE, AFT, RH, BLKHD 8
19	1	1006079	PANEL, MAIN, BLKHD 7
20	1	1006270	BRACE, TOPSKIN, BLKHD 9 FWD
21	1	1006488	FLANGE, SIDE, RH, BLKHD 7, 8
22	1	1006489	FLANGE, SIDE, LH, BLKHD 7, 8
23	4	1006511	NUTPLATE, NYLON, SINGLE, 8-32
24	4	1006512	NUTPLATE, NYLON, DOUBLE, 8-32
25	6	1006513	NUTPLATE, NYLON, TRIPLE, 8-32

BULKHEAD 8 ASSEMBLY



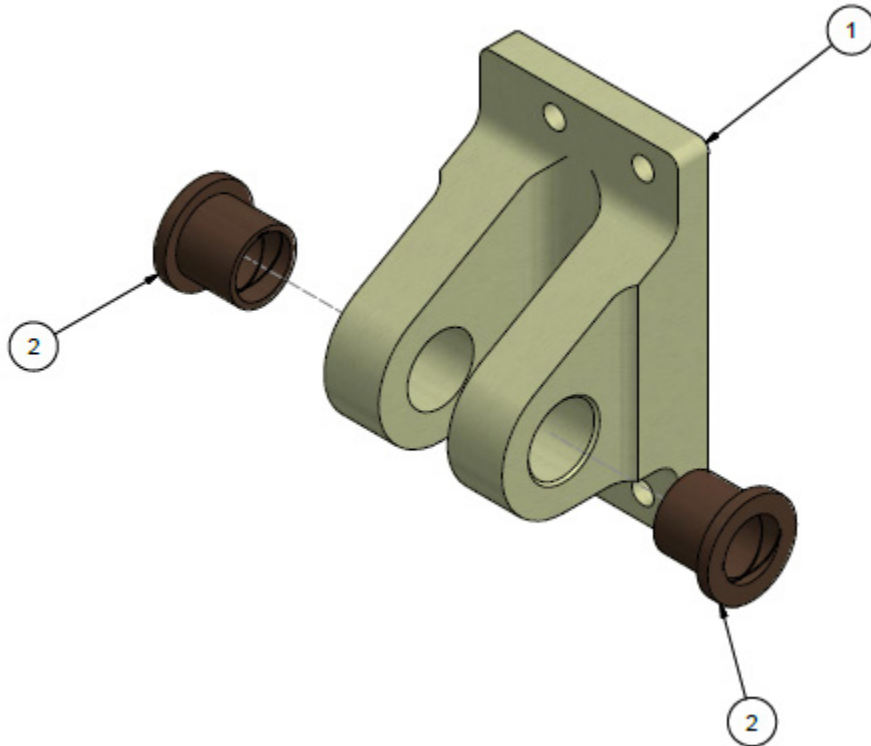
ITEM	QTY	PART NO.	PART DESCRIPTION
-	1	1006056	ASSY., BLKHD #8
1	1	1002873	FLUTE, FWD, RH, BLKHD 7, 8, 9
2	1	1002874	FLUTE, FWD, LH, BLKHD 7, 8, 9
3	1	1002891	PANEL, MAIN, BULKHEAD #8
4	1	1003550	TRUSS, FLUTE SUPPORT, IBRD, RT, BLKHD 9
5	1	1003551	TRUSS, FLUTE SUPPORT, IBRD, LT, BLKHD 9
6	1	1003552	TRUSS, FLUTE SUPPORT, OBRD, RT, BLKHD 8
7	1	1003553	TRUSS, FLUTE SUPPORT, OBRD, LT, BLKHD 8
8	1	1003554	STIFFENER, DIAGONAL, RH, BAGGAGE FLOOR, BLKHD 8, 9
9	1	1003555	STIFFENER, DIAGONAL, LH, BAGGAGE FLOOR, BLKHD 8, 9
10	1	1003556	FLANGE, BOTTOM, CENTER, LH, BLKHD 8, 9
11	1	1003557	FLANGE, BOTTOM, CENTER, RH, BLKHD 8, 9
12	1	1003558	STIFFENER, VERTICAL, RH, BLKHD 7,8,9
13	1	1003559	STIFFENER, VERTICAL, LH, BLKHD 7,8,9
14	1	1003560	FLANGE, BOTTOM, SIDE, FWD LH, BLKHD 8, 9
15	1	1003561	FLANGE, BOTTOM, SIDE, FWD, RH, BLKHD 8, 9
16	1	1003562	SUPPORT, BAGGAGE FLOOR, BLKHD 8
17	2	1003604	SUPPORT, BAGGAGE FLOOR SIDES, BLKHD 8, 9
18	1	1003670	FLANGE, BOTTOM, SIDE, AFT, LH, BLKHD 8
19	1	1003671	FLANGE, BOTTOM, SIDE, AFT, RH, BLKHD 8
20	1	1003778	PANEL, SIDE, LH, BLKHD 8
21	1	1003779	PANEL, SIDE, RH, BLKHD 8
22	1	1006488	FLANGE, SIDE, RH, BLKHD 7, 8
23	1	1006489	FLANGE, SIDE, LH, BLKHD 7, 8
24	4	1006511	NUTPLATE, NYLON, SINGLE, 8-32
25	4	1006512	NUTPLATE, NYLON, DOUBLE, 8-32
26	6	1006513	NUTPLATE, NYLON, TRIPLE, 8-32

BULKHEAD 9 ASSEMBLY



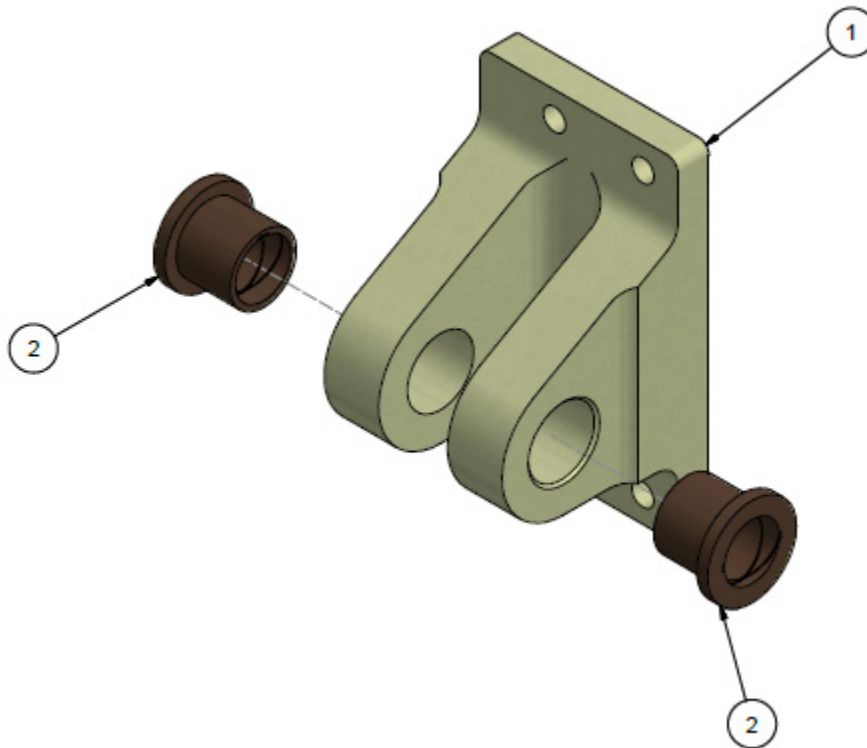
ITEM	QTY	PART NO.	PART DESCRIPTION
-	1	1006059	ASSY., BLKHD #9
1	1	1002871	FLANGE, BOTTOM, SIDE, AFT, LH, BLKHD 9
2	1	1002872	FLANGE, BOTTOM, SIDE, AFT, RH, BLKHD 9
3	1	1002873	FLUTE, FWD, RH, BLKHD 7, 8, 9
4	1	1002874	FLUTE, FWD, LH, BLKHD 7, 8, 9
5	1	1003550	TRUSS, FLUTE SUPPORT, IBRD, RT, BLKHD 9
6	1	1003551	TRUSS, FLUTE SUPPORT, IBRD, LT, BLKHD 9
7	1	1003554	STIFFENER, DIAGONAL, RH, BAGGAGE FLR, BLKHD 8 & 9
8	1	1003555	STIFFENER, DIAGONAL, LH, BAGGAGE FLR, BLKHD 8 & 9
9	1	1003556	FLANGE, BOTTOM, CENTER, LH, BLKHD 8, 9
10	1	1003557	FLANGE, BOTTOM, CENTER, RH, BLKHD 8, 9
11	1	1003558	STIFFENER, VERTICAL, RH, BLKHD 7,8,9
12	1	1003559	STIFFENER, VERTICAL, LH, BLKHD 7,8,9
13	1	1003560	FLANGE, BOTTOM, SIDE, FWD LH, BLKHD 8 & 9
14	1	1003561	FLANGE, BOTTOM, SIDE, FWD, RH, BLKHD 8 & 9
15	2	1003604	SUPPORT, BAGGAGE FLOOR SIDES, BLKHD 8 & 9
16	1	1003688	PANEL, ACCESS, BLKHD 9
	16	AN526-832R6	SCREW (NOT SHOWN)
17	2	1003689	STIFFENER, HORIZONTAL, ACCESS PANEL, BLKHD 9
18	2	1003690	STIFFENER, VERTICAL, ACCESS PANEL, BLKHD 9
19	1	1006080	PANEL, MAIN, BLKHD 9
20	2	1006270	BRACE, TOPSKIN, BH09 FWD
21	1	1006492	FLANGE, SIDE, RH, BLKHD 9
22	1	1006493	FLANGE, SIDE, LH, BLKHD 9
23	1	1006496	TRUSS, FLUTE SUPPORT, OUTBOARD, RIGHT, BLKHD 9
24	1	1006497	TRUSS, FLUTE SUPPORT, OUTBOARD, LEFT, BLKHD 9
25	2	1006511	NUTPLATE, NYLON, SINGLE, 8-32
26	12	1006513	NUTPLATE, NYLON, TRIPLE, 8-32

TRUNION LEFT ASSEMBLY



ITEM	QTY	PART NO.	PART DESCRIPTION
-	1	1002706	ASSY. TRUNION LEFT
1	1	1002705	TRUNION, LEFT
2	2	1003729	BUSHING, GROOVED, FLANGED

TRUNION RIGHT ASSEMBLY



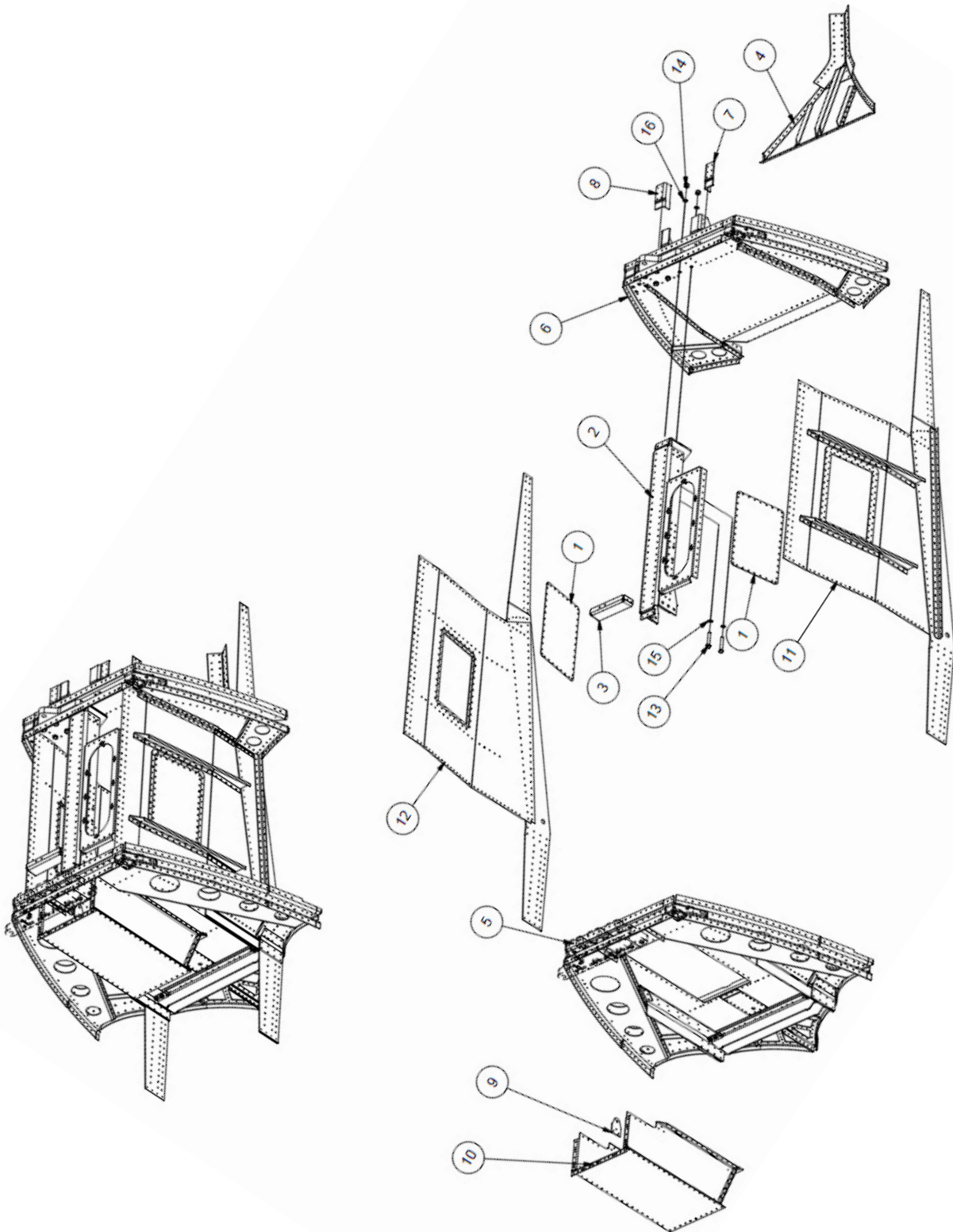
ITEM	QTY	PART NO.	PART DESCRIPTION
-	1	1002708	ASSY. TRUNION RIGHT
1	1	1002707	TRUNION, RIGHT
2	2	1003729	BUSHING, GROOVED, FLANGED

SECTION 4 WHEEL WELL ASSEMBLY

CONTENTS

WHEEL WELL LEFT FLOAT ASSEMBLY.....	66
WHEEL WELL RIGHT FLOAT ASSEMBLY.....	68
CHANNEL, LEFT HAND, MAIN GEAR ASSEMBLY.....	70
CHANNEL, RIGHT HAND, MAIN GEAR ASSEMBLY.....	71
WATER DEFLECTION PANEL ASSEMBLY.....	72
BULKHEAD 10 LEFT FLOAT ASSEMBLY.....	73
BULKHEAD 10 RIGHT FLOAT ASSEMBLY.....	76
BULKHEAD 11 LEFT FLOAT ASSEMBLY.....	79
BULKHEAD 11 RIGHT FLOAT ASSEMBLY.....	81
GEAR TUNNEL ASSEMBLY.....	83
WHEEL WELL LEFT PANEL ASSEMBLY.....	84
WHEEL WELL RIGHT PANEL ASSEMBLY.....	85

WHEEL WELL LEFT FLOAT ASSEMBLY

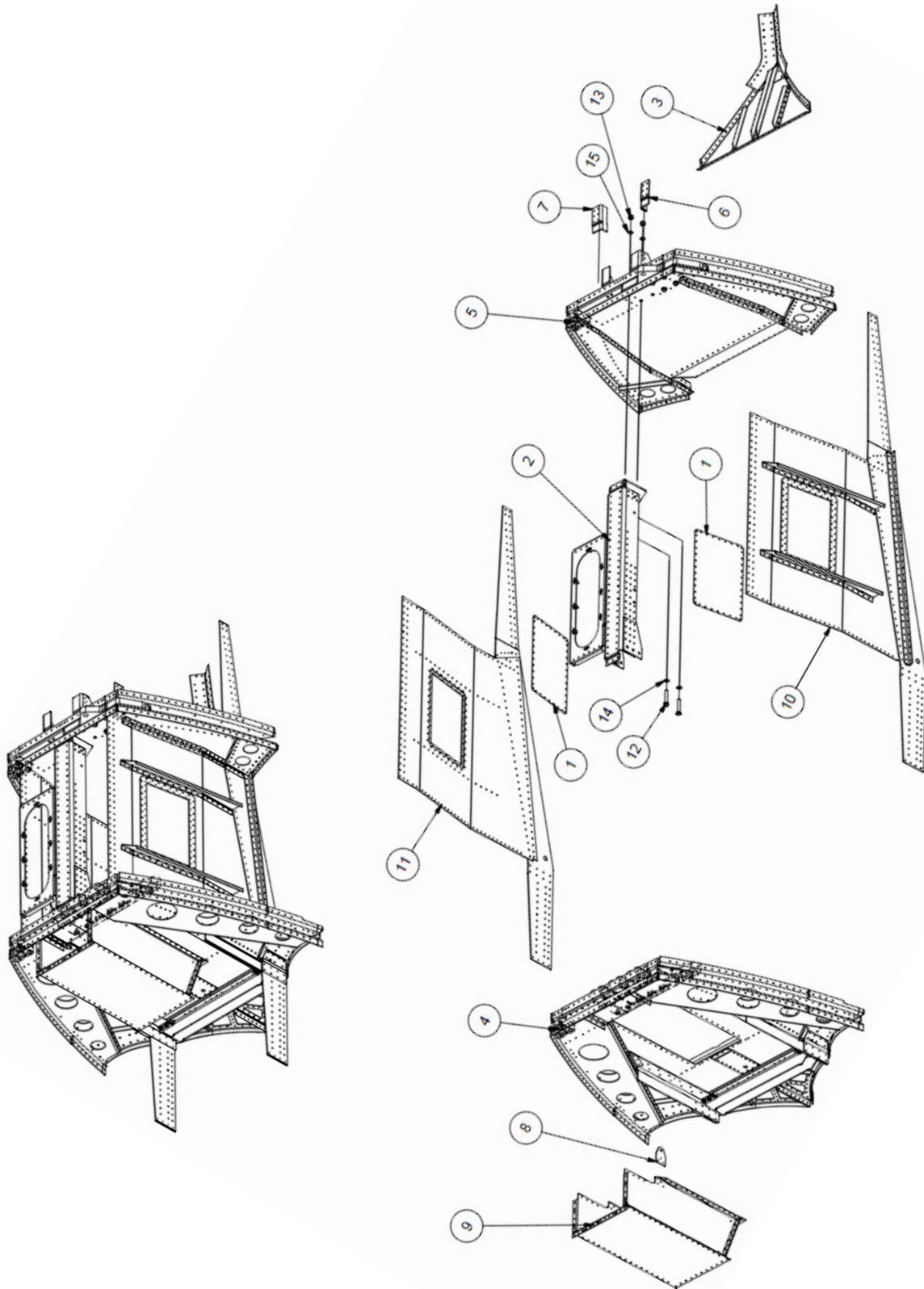


PARTS MANUAL
8750 FLOATS ON CESSNA 208 AND 208B

ITEM	QTY	PART NO.	PART DESCRIPTION
-	1	1006057	ASSEMBLY, WHEEL WELL, LEFT FLOAT
1	2	1003146	COVER, WHEEL WELL ACCESS
	80	AN526-632R4	SCREW, TRUSS HEAD
2	1	1004075	ASSY, CHANNEL, LH, MAIN GEAR
3	1	1005817	BRACKET, SUPPORT, SINGLE POINT FUEL RECEPTACLE
4	1	1006060	ASSY, WATER DEFLECTION PANEL
5	1	1006061	ASSY, BULKHEAD 10, LEFT FLOAT
6	1	1006063	ASSY, BULKHEAD 11, LEFT FLOAT
7	1	1006285*	DOUBLER, GUSSET, AFT RAIL, LEFT
8	1	1006286*	DOUBLER, GUSSET, AFT RAIL, RIGHT
9	1	1006345	MOUNT, PROXIMITY SENSOR
10	1	1006350	ASSEMBLY, GEAR TUNNEL
11	1	1006351	ASSEMBLY, WHEEL WELL PANEL, LEFT
12	1	1006352	ASSEMBLY, WHEEL WELL PANEL, RIGHT
13	2	AN6-20A	BOLT, AIRFRAME, 3/8-24 THREAD, 1-7/16" GRIP, 2-5/64 LENGTH
14	2	MS21044N6	NUT, NYLON INSERT, 250 DEG, STEEL, 0.375-24 THREAD
15	2	NAS1149D0616J	WASHER, ALUMINUM
16	2	NAS1149D0663J	WASHER SCREW SIZE 3/8 OD.625 ID.390 THK.063 ALUM

*SUB COMPONENTS ARE NOT ASSOCIATED WITH ASSY., WHEEL WELL, LEFT FLOAT

WHEEL WELL RIGHT FLOAT ASSEMBLY

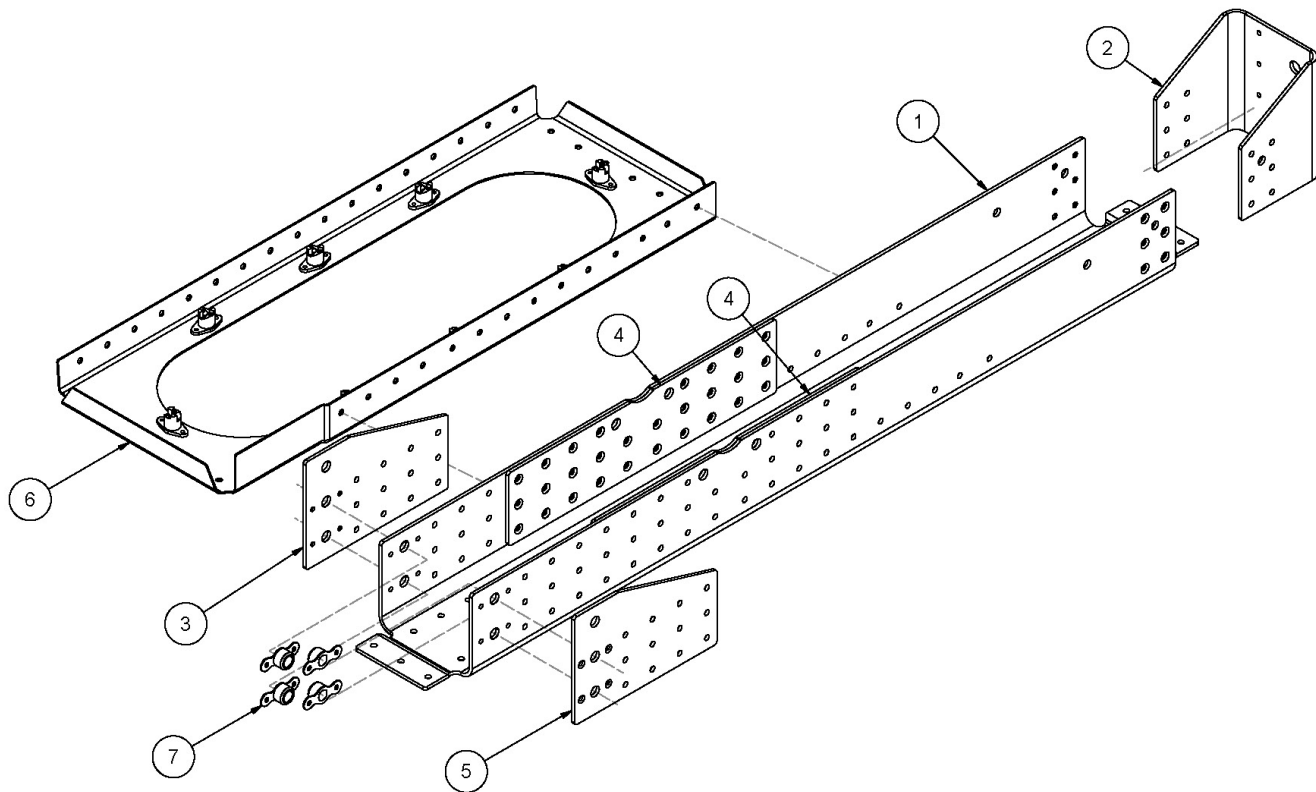


PARTS MANUAL
8750 FLOATS ON CESSNA 208 AND 208B

ITEM	QTY	PART NO.	PART DESCRIPTION
-	1	1006058	ASSEMBLY, WHEEL WELL, RIGHT FLOAT
1	2	1003146	COVER, WHEEL WELL ACCESS
	80	AN526-632R4	SCREW, TRUSS HEAD
2	1	1004076	ASS'Y, CHANNEL, RH, MAIN GEAR
3	1	1006060	ASSY, WATER DEFLECTION PANEL
4	1	1006062	ASSY, BULKHEAD 10, RIGHT FLOAT
5	1	1006064	ASSY, BULKHEAD 11, RIGHT FLOAT
6	1	1006285*	DOUBLER, GUSSET, AFT RAIL, LEFT
7	1	1006286*	DOUBLER, GUSSET, AFT RAIL, RIGHT
8	1	1006345	MOUNT, PROXIMITY SENSOR
9	1	1006350	ASSEMBLY, GEAR TUNNEL
10	1	1006351	ASSEMBLY, WHEEL WELL PANEL, LEFT
11	1	1006352	ASSEMBLY, WHEEL WELL PANEL, RIGHT
12	2	AN6-20A	BOLT, AIRFRAME, 3/8-24 THREAD, 1-7/16" GRIP, 2-5/64 LENGTH
13	2	MS21044N6	NUT, NYLON INSERT, 250 DEG, STEEL, 0.375-24 THREAD
14	2	NAS1149D0616J	WASHER, ALUMINUM
15	2	NAS1149D0663J	WASHER SCREW SIZE 3/8 OD.625 ID.390 THK.063 ALUM

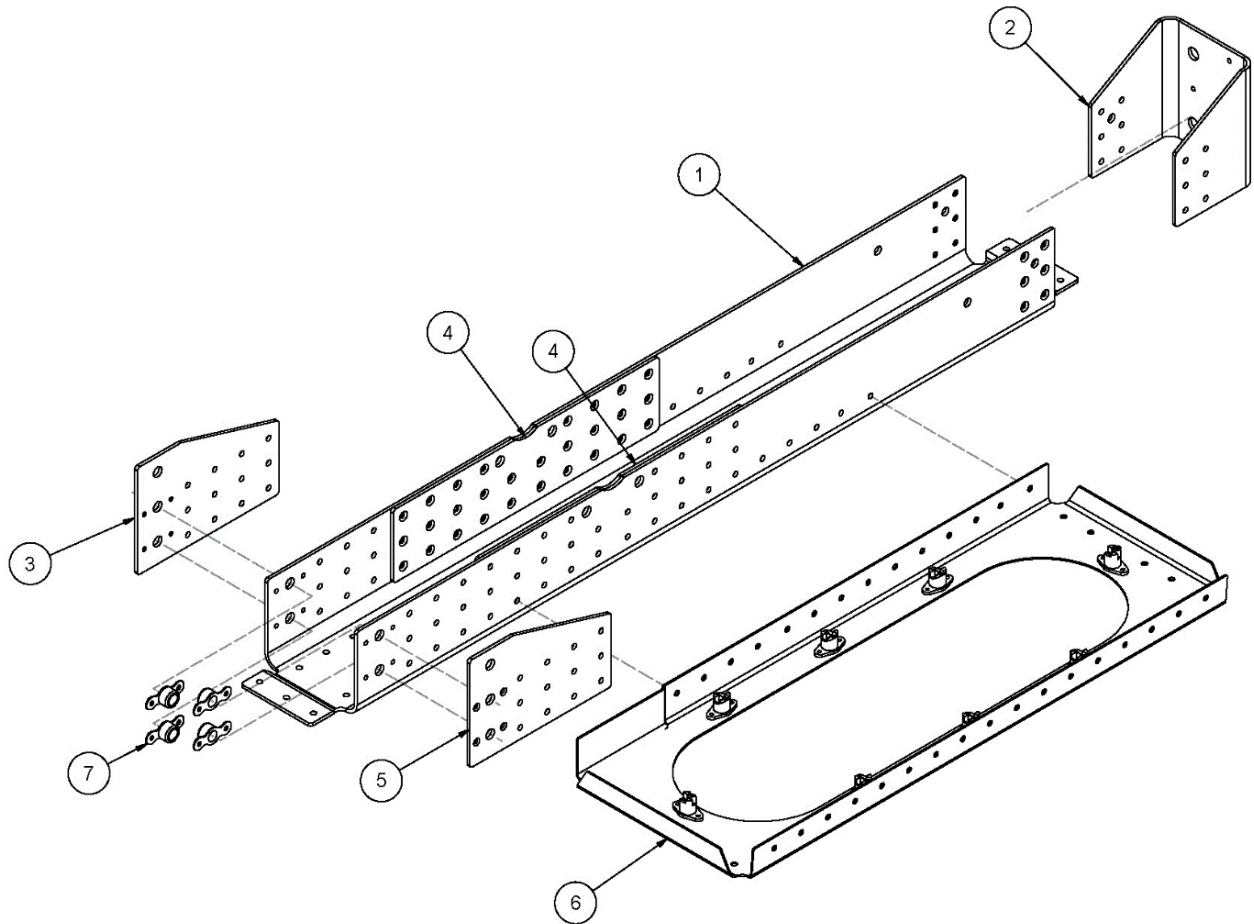
*SUB COMPONENTS ARE NOT ASSOCIATED WITH ASSY., WHEEL WELL, RIGHT FLOAT

CHANNEL, LEFT HAND, MAIN GEAR ASSEMBLY



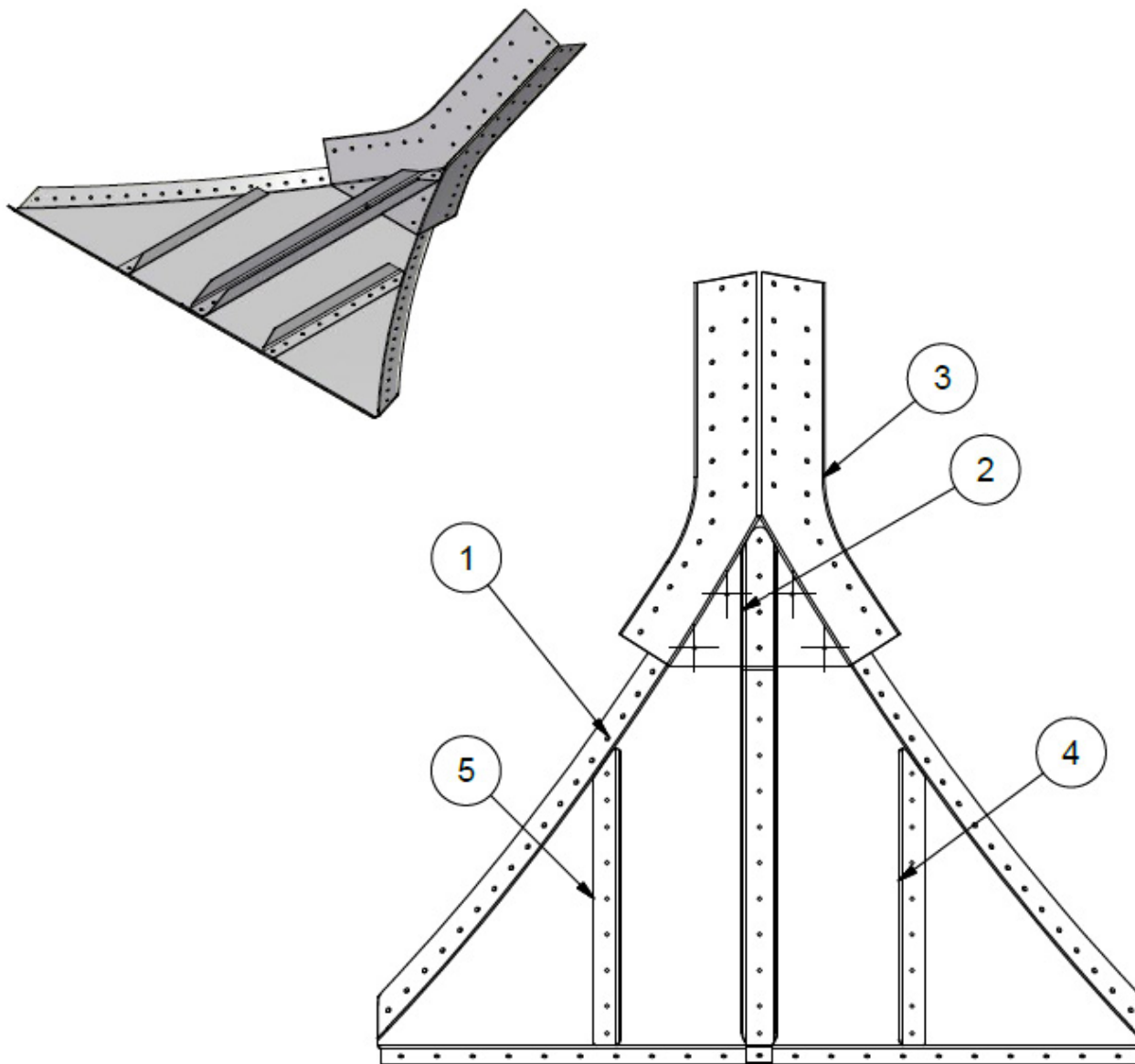
ITEM	QTY	PART NO.	PART DESCRIPTION
-	1	1004075	ASSY, CHANNEL, LH, MAIN GEAR
1	1	1003815	CHANNEL, MAIN GEAR, WHEEL WELL
2	1	1004002	MOUNT, LH, CHANNEL, GEAR
3	1	1004004	DOUBLER, LH, OUTER, CHANNEL, GEAR
4	2	1004005	DOUBLER, INNER, CHANNEL, GEAR
5	1	1004011	DOUBLER, RH, OUTER, CHANNEL, GEAR
6	1	1004078	ASS'Y, RETAINER, GEAR ACCESS COVER
7	4	MS21047L5	NUT PLATE, SELF LOCKING

CHANNEL, RIGHT HAND, MAIN GEAR ASSEMBLY



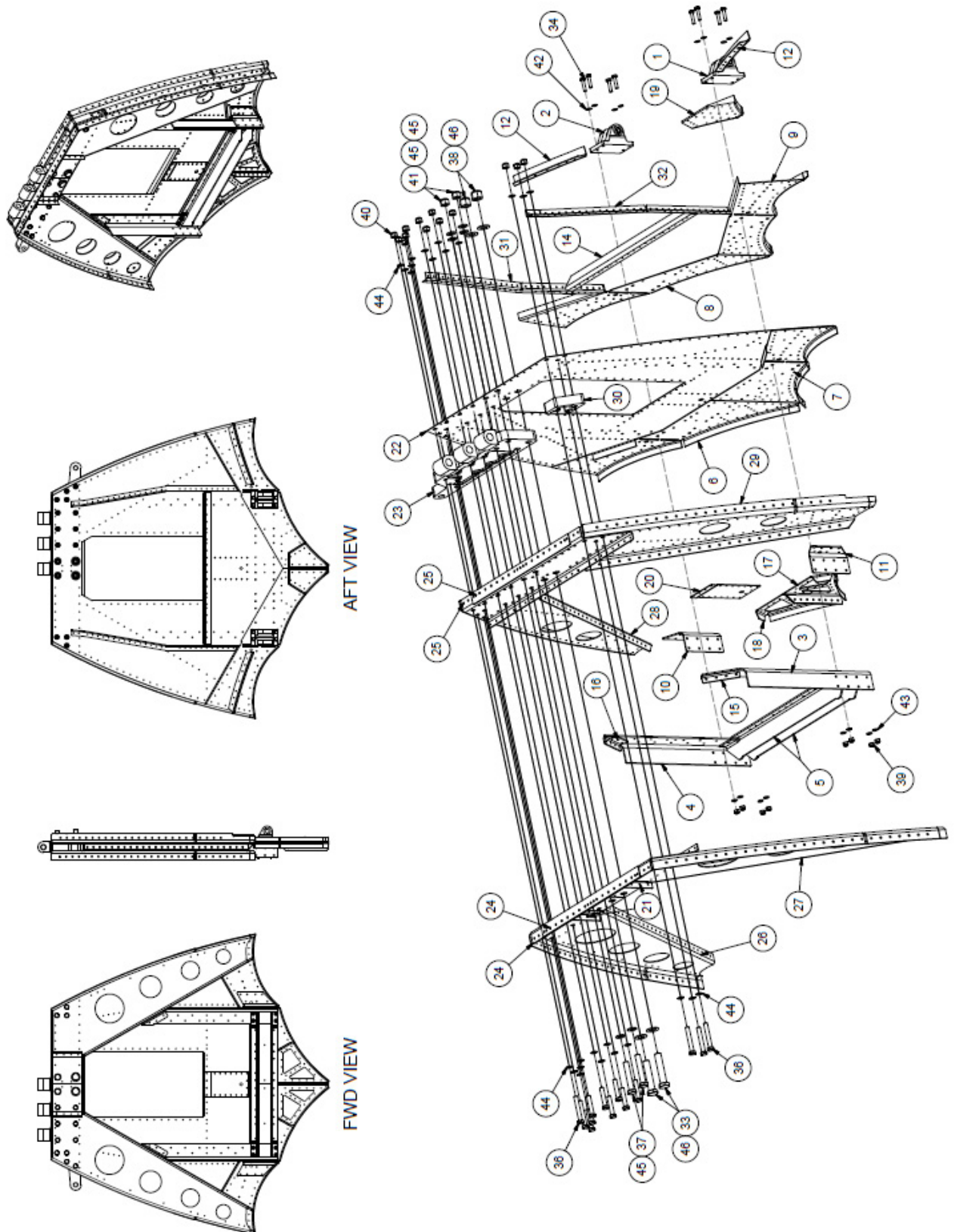
ITEM	QTY	PART NO.	PART DESCRIPTION
-	1	1004076	ASSY, CHANNEL, RH, MAIN GEAR
1	1	1003815	CHANNEL, MAIN GEAR, WHEEL WELL
2	1	1004003	MOUNT, RH, CHANNEL, GEAR
3	1	1004004	DOUBLER, LH, OUTER, CHANNEL, GEAR
4	2	1004005	DOUBLER, INNER, CHANNEL, GEAR
5	1	1004011	DOUBLER, RH, OUTER, CHANNEL, GEAR
6	1	1004077	ASS'Y, RETAINER, GEAR ACCESS COVER
7	4	MS21047L5	NUT PLATE, SELF LOCKING

WATER DEFLECTION PANEL ASSEMBLY



ITEM	QTY	PART NO.	PART DESCRIPTION
-	1	1006060	ASSY, WATER DEFLECTION PANEL
1	1	1006082	PANEL, WATER DEFLECTION, BH11
2	1	1006423	STIFFENER, WATER DEFLECTION PANEL
3	1	1006481	DOUBLER, KEEL, AFT
4	1	1006483	STIFFENER, PANEL, LEFT, BH11
5	1	1006484	STIFFENER, PANEL, RIGHT, BH11

BULKHEAD 10 LEFT FLOAT ASSEMBLY

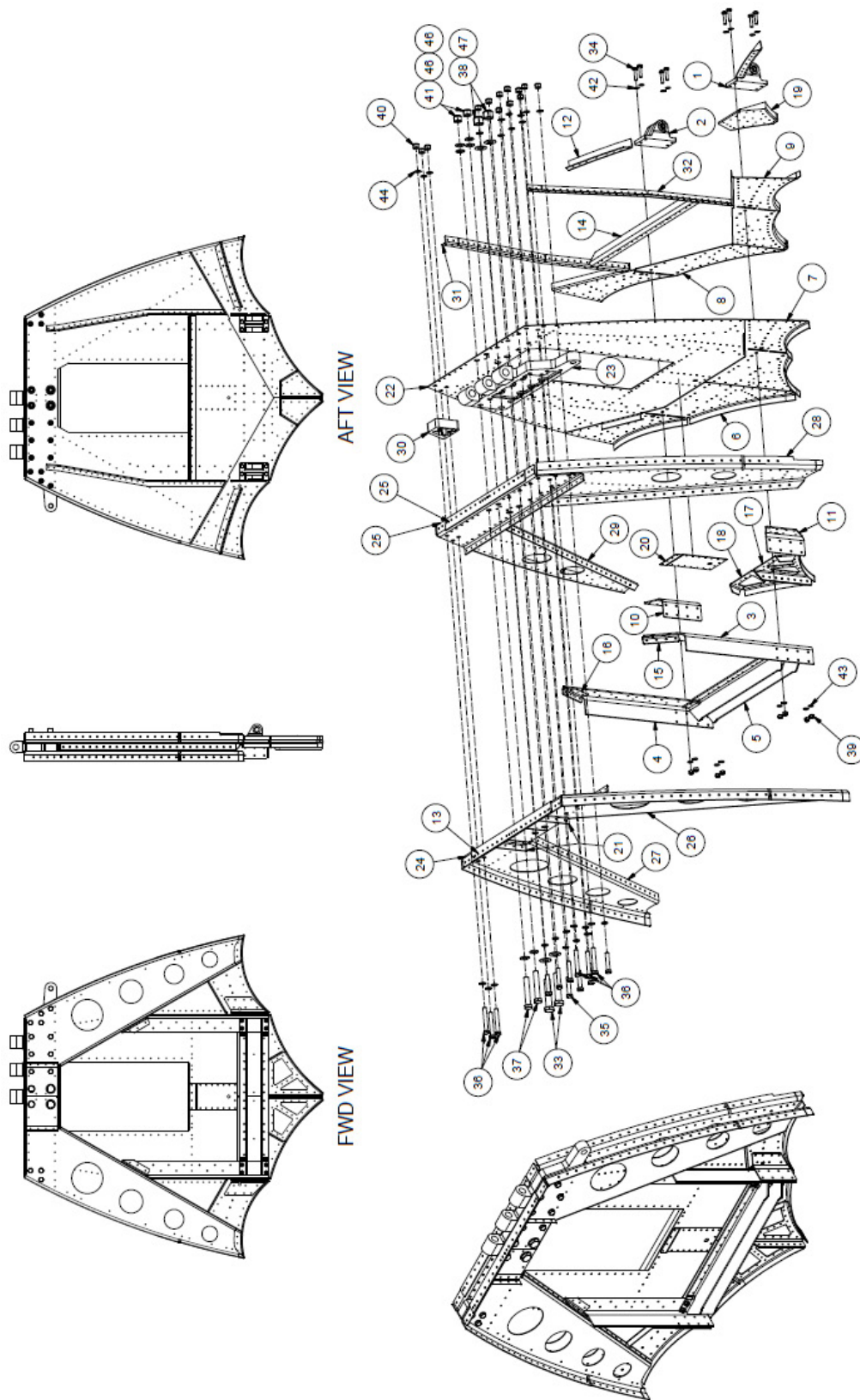


ITEM	QTY	PART NO.	PART DESCRIPTION
-	1	1006061	ASS'Y., BLKHD #10, LEFT FLOAT
1	1	1002706	ASSY, TRUNION, LH
2	1	1002708	ASSY, TRUNION, RH
3	1	1002709	ANGLE, TRUNION, LH, BLKHD #10
4	1	1002710	ANGLE, TRUNION, RH, BLKHD #10
5	2	1002712	ANGLE, TRUNION, HORIZONTAL, BLKHD #10
6	1	1002730	FLUTE, FWD, RH, BLKHD 10
7	1	1002731	FLUTE, FWD, LH, BLKHD 10
8	1	1002734	FLUTE, AFT, RH, BLKHD 10
9	1	1002735	FLUTE, AFT, LH, BLKHD 10
10	1	1002736	ANGLE, FWD FLUTE, RH, BLKHD 10
11	1	1002737	ANGLE, FWD FLUTE, LH, BLKHD 10
12	2	1002740	ANGLE, ATTACH, BTM SKIN, BLKHD #10
13	2	1002748	SPACER, SUPER PANEL
14	1	1002978	STIFFENER, HORIZONTAL, BLKHD #10
15	1	1003105	CLEAT, SUPERPANEL, LH, BLKHD #10
16	1	1003108	CLEAT, SUPERPANEL, RH, BLKHD #10
17	1	1004822	REINFORCEMENT, STEP BLKHD, LH
18	1	1004823	REINFORCEMENT, STEP BLKHD, RH
19	1	1004828	SUPPORT, BLKHD & KEEL
20	1	1005879	REINFORCEMENT, HYDRAULIC BRAKE LINE
21	2	1006132	ANGLE, GEAR TUNNEL
22	1	1006134	PANEL, MAIN, BLKHD 10
23	1	1009969	FITTING, MAIN STRUT, BLKHD #10 (1006219 DISCONTINUED)
24	1	1006292	BRACE, SUPERPANEL, FWD, BLKHD 10, LEFT FLOAT
25	1	1006294	BRACE, SUPERPANEL, AFT, BLKHD 10, LEFT FLOAT
26	1	1006310	LEG, SUPERPANEL, FWD, INBOARD, BLKHD 10, LEFT FLOAT
27	1	1006312	LEG, SUPERPANEL, FWD, OUTBRD, BLKHD 10, LEFT FLOAT
28	1	1006314	LEG, SUPERPANEL, AFT, INBRD, BLKHD 10, LEFT FLOAT
29	1	1006316	LEG, SUPERPANEL, AFT, OUTBRD, BLKHD 10, LEFT FLOAT
30	1	1006329	SPACER, BATHTUB
31	1	1006505	MOUNT, PANEL, RIGHT, FWD, WHEEL WELL
32	1	1006506	MOUNT, PANEL, LEFT, FWD, WHEEL WELL
33	2	AN10-30A	BOLT, 5/8-18 THREAD, STEEL CAD II PLATED, NO HOLE SHANK
34	8	AN4-11A	BOLT, SIZE 1/4-28, LENGTH +/- 1/64 - 1-5/32, GRIP LENGTH 11/16
35	7	AN6-17A	BOLT, 3/8-24 THREAD, 1-5/16" GRIP, 1-61/64" LENGTH
36	6	AN6-24A	BOLT, 3/8-24 THREAD, 1-15/16" GRIP, 2-37/64 LENGTH
37	2	AN8-27A	BOLT, 1/2-20 THREAD, 2-3/16" GRIP, 2-31/32" LENGTH
38	2	MS21044N10	NUT, 5/8-18 THREAD, STEEL, NYLON INSERT, 250 DEG
39	8	MS21044N4	NUT, HEX LOCKING NYLON INSERT STEEL CAD 2, 1/4-28
40	13	MS21044N6	NUT, NYLON INSERT, 250 DEG, STEEL, 0.375-24 THREAD

PARTS MANUAL
8750 FLOATS ON CESSNA 208 AND 208B

ITEM	QTY	PART NO.	PART DESCRIPTION
41	2	MS21044N8	NUT, 1/2-20 THREAD, NYLON INSERT, 250 DEG.
42	8	NAS1149D0416J	WASHER, ALUMINUM
43	8	NAS1149D0463J	WASHER, ALUMINUM
44	26	NAS1149D0616J	WASHER, ALUMINUM
45	6	NAS1149F0863P	WASHER, AIRFRAME, CARBON STEEL, TO FIT DIA 1/2"
46	4	NAS1149F1063P	WASHER, AIRFRAME, CARBON STEEL, TO FIT DIA 5/8"

BULKHEAD 10 RIGHT FLOAT ASSEMBLY

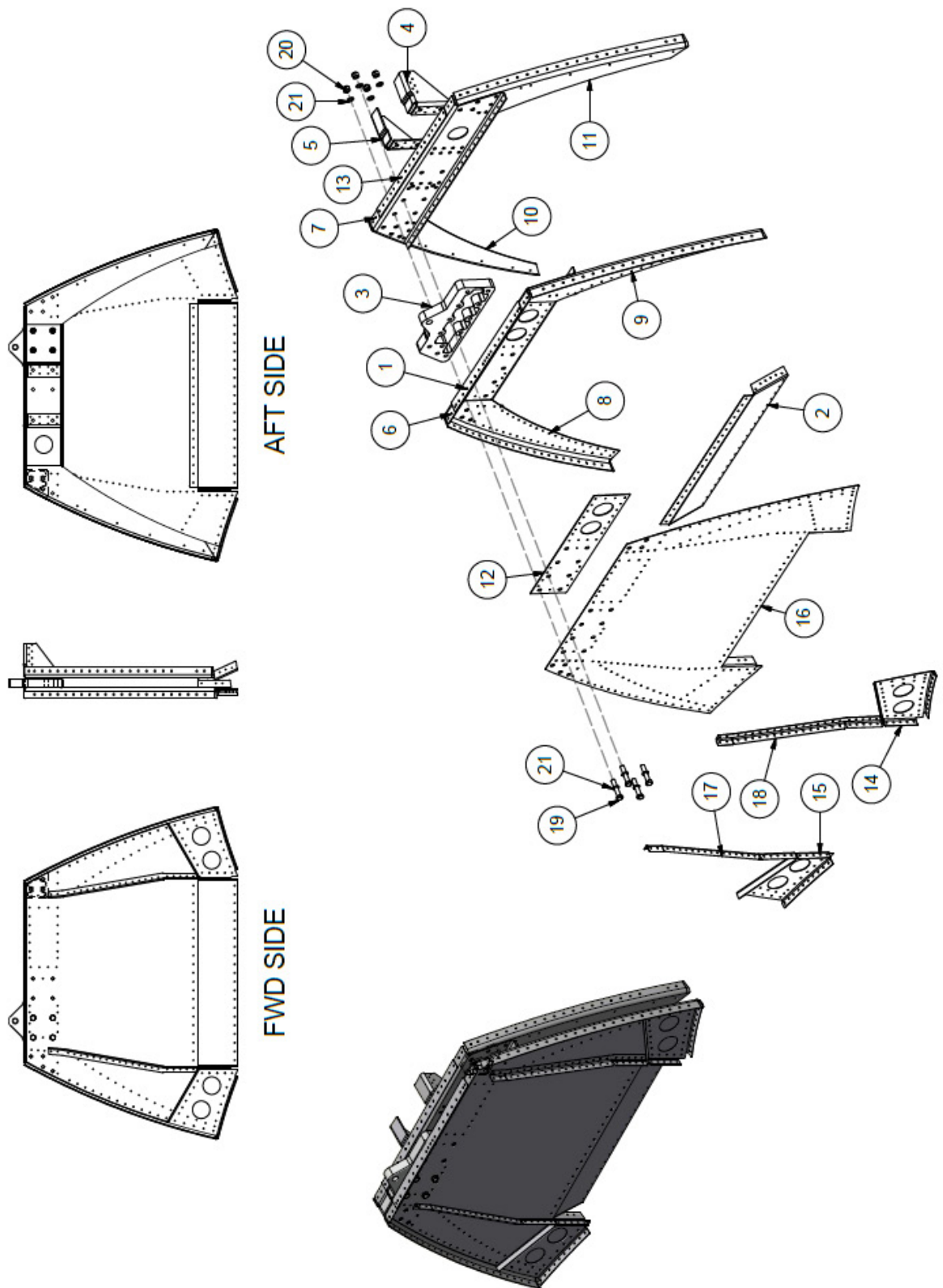


PARTS MANUAL
8750 FLOATS ON CESSNA 208 AND 208B

ITEM	QTY	PART NO.	PART DESCRIPTION
-	1	1006062	ASS'Y., BULKHEAD #10, RIGHT FLOAT
1	1	1002706	ASSY, TRUNION, LH
2	1	1002708	ASSY, TRUNION, RH
3	1	1002709	ANGLE, TRUNION, LH, BLKHD #10
4	1	1002710	ANGLE, TRUNION, RH, BLKHD #10
5	2	1002712	ANGLE, TRUNION, HORIZONTAL, BLKHD #10
6	1	1002730	FLUTE, FWD, RH, BLKHD 10
7	1	1002731	FLUTE, FWD, LH, BLKHD 10
8	1	1002734	FLUTE, AFT, RH, BLKHD 10
9	1	1002735	FLUTE, AFT, LH, BULKHEAD 10
10	1	1002736	ANGLE, FWD FLUTE, RH, BLKHD 10
11	1	1002737	ANGLE, FWD FLUTE, LH, BLKHD 10
12	2	1002740	ANGLE, ATTACH, BTM SKIN, BLKHD #10
13	2	1002748	SPACER, SUPER PANEL
14	1	1002978	STIFFENER, HORIZONTAL, BLKHD #10
15	1	1003105	CLEAT, SUPERPANEL, LH, BLKHD #10
16	1	1003108	CLEAT, SUPERPANEL, RH, BLKHD #10
17	1	1004822	REINFORCEMENT, STEP BLKHD, LH
18	1	1004823	REINFORCEMENT, STEP BLKHD, RH
19	1	1004828	SUPPORT, BLKHD & KEEL
20	1	1005879	REINFORCEMENT, HYDRAULIC BRAKE LINE
21	2	1006132	ANGLE, GEAR TUNNEL
22	1	1006134	PANEL, MAIN, BULKHEAD 10
23	1	1009969	FITTING, MAIN STRUT, BLKHD #10 (1006219 DISCONTINUED)
24	1	1006293	BRACE, SUPERPANEL, FWD, BLKHD 10, RIGHT FLOAT
25	1	1006295	BRACE, SUPERPANEL, AFT, BLKHD 10, RIGHT FLOAT
26	1	1006311	LEG, SUPERPANEL, FWD, INBRD, BLKHD 10, RIGHT FLOAT
27	1	1006313	LEG, SUPERPANEL, FWD, OUTBRD, BLKHD 10, RIGHT FLOAT
28	1	1006315	LEG, SUPERPANEL, AFT, INBRD, BLKHD 10, RIGHT FLOAT
29	1	1006317	LEG, SUPERPANEL, AFT, OUTBRD, BLKHD 10, RIGHT FLOAT
30	1	1006329	SPACER, BATHTUB
31	1	1006505	MOUNT, PANEL, RIGHT, FWD, WHEEL WELL
32	1	1006506	MOUNT, PANEL, LEFT, FWD, WHEEL WELL
33	2	AN10-30A	BOLT, 5/8-18 THREAD, STEEL CAD II PLATED, NO HOLE SHANK
34	8	AN4-11A	BOLT, SIZE 1/4-28, LENGTH +/- 1/64 - 1-5/32, GRIP LENGTH 11/16
35	7	AN6-17A	BOLT, 3/8-24 THREAD, 1-5/16" GRIP, 1-61/64" LENGTH
36	6	AN6-24A	BOLT, 3/8-24 THREAD, 1-15/16" GRIP, 2-37/64 LENGTH
37	2	AN8-30A	BOLT, AIRFRAME, 1/2-20 THREAD, 2-5/16" GRIP, 3-3/32" LENGTH
38	2	MS21044N10	NUT, 5/8-18 THREAD, STEEL, NYLON INSERT, 250 DEG
39	8	MS21044N4	NUT, HEX LOCKING NYLON INSERT STEEL CAD 2, 1/4-28
40	13	MS21044N6	NUT, NYLON INSERT, 250 DEG, STEEL, 0.375-24 THREAD

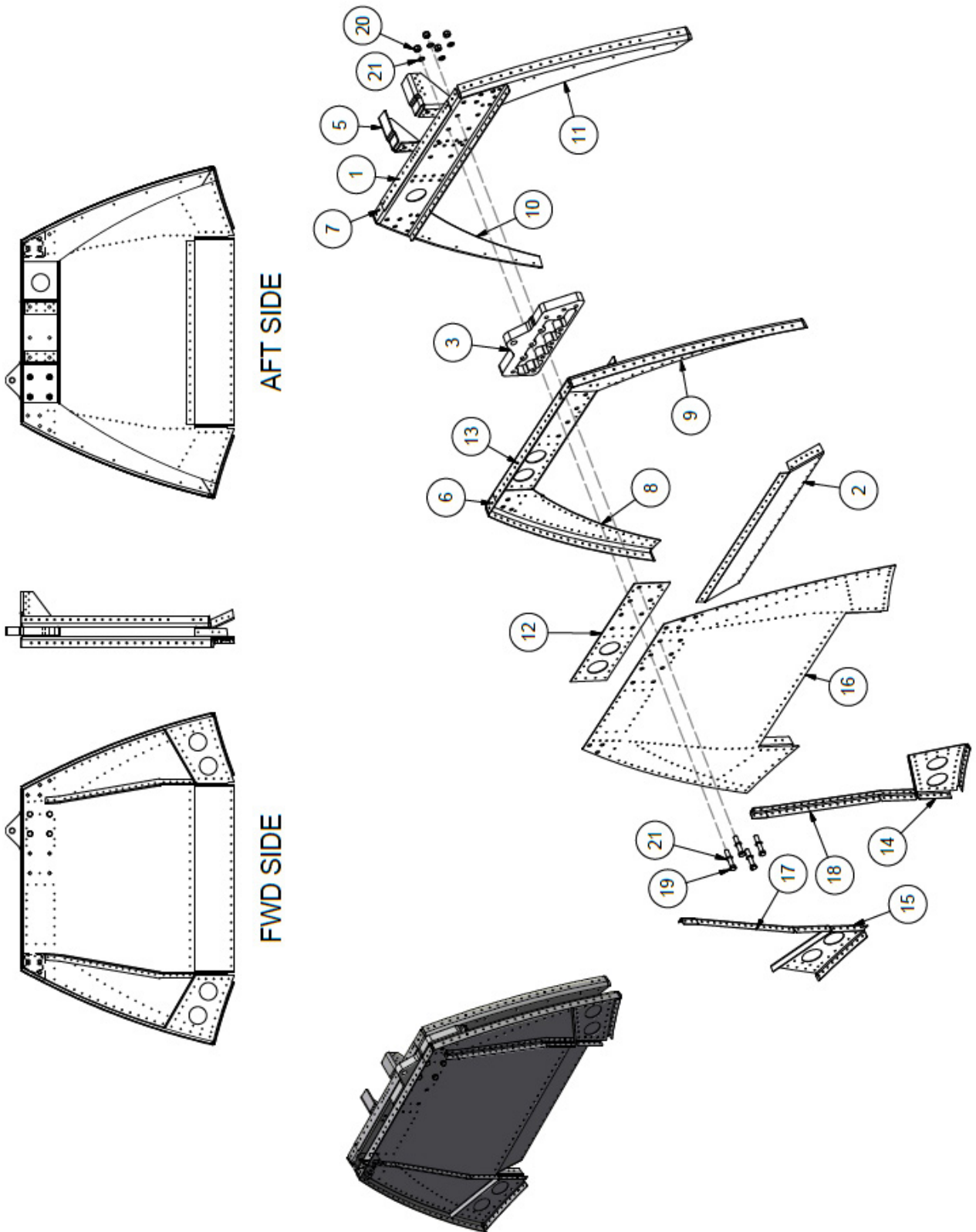
ITEM	QTY	PART NO.	PART DESCRIPTION
41	2	MS21044N8	NUT, 1/2-20 THREAD, NYLON INSERT, 250 DEG.
42	8	NAS1149D0416J	WASHER, ALUMINUM
43	8	NAS1149D0463J	WASHER, ALUMINUM
44	13	NAS1149D0616J	WASHER, ALUMINUM
45	13	NAS1149D0663J	WASHER SCREW SIZE 3/8 OD.625 ID.390 THK.063 ALUM
46	6	NAS1149F0863P	WASHER, AIRFRAME, CARBON STEEL, TO FIT DIA 1/2"
47	4	NAS1149F1063P	WASHER, AIRFRAME, CARBON STEEL, TO FIT DIA 5/8"

BULKHEAD 11 LEFT FLOAT ASSEMBLY



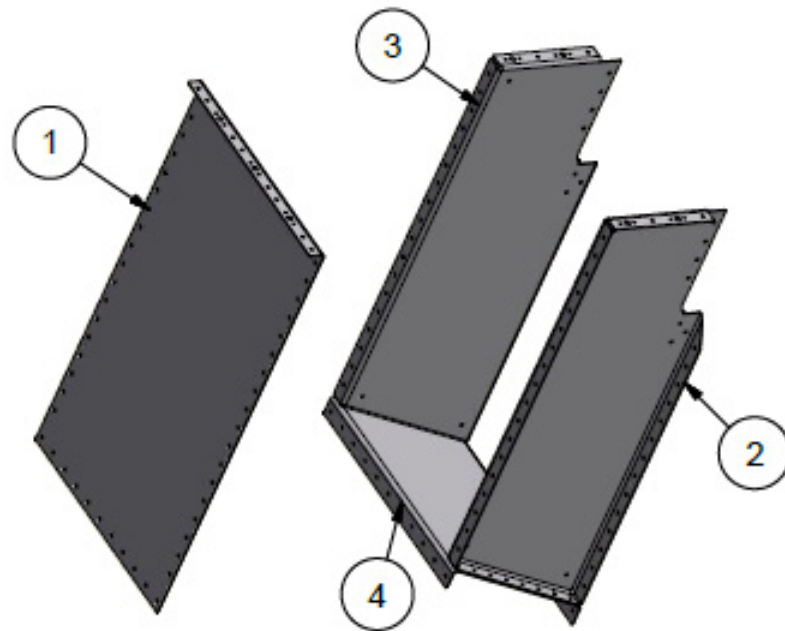
ITEM	QTY	PART NO.	PART DESCRIPTION
-	1	1006063	ASS'Y., BULKHEAD #11, LEFT FLOAT
1	1	1002748	SPACER, SUPER PANEL
2	1	1004007	PANEL, LOWER, BH 11
3	1	1006220	FITTING, SUPERPANEL, BLKHD 11
4	1	1006283	GUSSET, AFT RAIL, LEFT
5	1	1006284	GUSSET, AFT RAIL, RIGHT
6	1	1006296	BRACE, SUPERPANEL, FWD, BULKHEAD 11, LEFT FLOAT
7	1	1006298	BRACE, SUPERPANEL, AFT, BULKHEAD 11, LEFT FLOAT
8	1	1006318	LEG, SUPERPANEL, FWD, RIGHT, BULKHEAD 11
9	1	1006320	LEG, SUPERPANEL, FWD, LEFT, BULKHEAD 11
10	1	1006322	LEG, SUPERPANEL, AFT, RIGHT, BULKHEAD 11
11	1	1006324	LEG, SUPERPANEL, AFT, LEFT, BULKHEAD 11
12	1	1006327	DOUBLER, BULKHEAD 11
13	1	1006328	SPACER, SUPER PANEL
14	1	1006343	FLUTE, FWD, LEFT, BULKHEAD 11
15	1	1006344	FLUTE, FWD, RT, LT FLT, BLKHD #11
16	1	1006503	PANEL, UPPER, BH11, LEFT
17	1	1006507	MOUNT, PANEL, RIGHT, AFT, WHEEL WELL
18	1	1006508	MOUNT, PANEL, LEFT, AFT, WHEEL WELL
19	4	AN6-17A	BOLT, 3/8-24 THREAD, 1-5/16" GRIP, 1-61/64" LENGTH
20	4	MS21044N6	NUT, NYLON INSERT, 250 DEG, STEEL, 0.375-24 THREAD
21	8	NAS1149D0663J	WASHER SCREW SIZE 3/8 OD.625 ID.390 THK.063 ALUM

BULKHEAD 11 RIGHT FLOAT ASSEMBLY



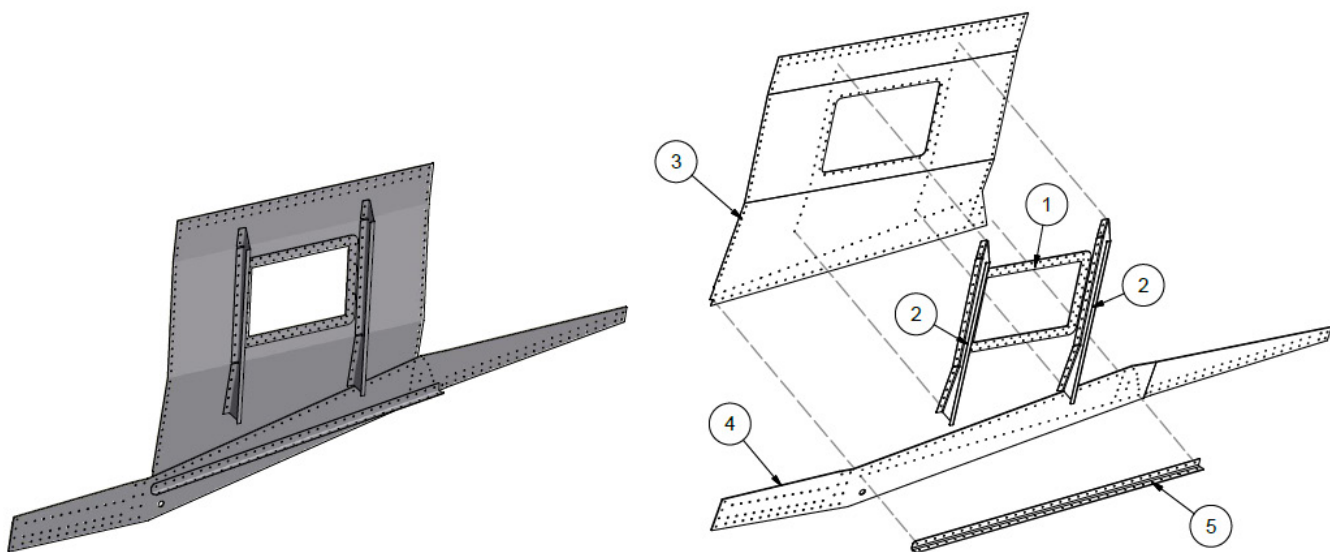
ITEM	QTY	PART NO.	PART DESCRIPTION
-	1	1006064	ASS'Y., BULKHEAD #11, RIGHT FLOAT
1	1	1002748	SPACER, SUPER PANEL
2	1	1004007	PANEL, LOWER, BH 11
3	1	1006220	FITTING, SUPERPANEL, BLKHD 11
4	1	1006283	GUSSET, AFT RAIL, LEFT
5	1	1006284	GUSSET, AFT RAIL, RIGHT
6	1	1006297	BRACE, SUPERPANEL, FWD, BULKHEAD 11, RIGHT FLOAT
7	1	1006299	BRACE, SUPERPANEL, AFT, BULKHEAD 11, RIGHT FLOAT
8	1	1006318	LEG, SUPERPANEL, FWD, RIGHT, BULKHEAD 11
9	1	1006320	LEG, SUPERPANEL, FWD, LEFT, BULKHEAD 11
10	1	1006322	LEG, SUPERPANEL, AFT, RIGHT, BULKHEAD 11
11	1	1006324	LEG, SUPERPANEL, AFT, LEFT, BULKHEAD 11
12	1	1006327	DOUBLER, BULKHEAD 11
13	1	1006328	SPACER, SUPER PANEL
14	1	1006343	FLUTE, FWD, LEFT, BULKHEAD 11
15	1	1006344	FLUTE, FWD, RT, LT FLT, BLKHD #11
16	1	1006504	PANEL, UPPER, BH11, RIGHT
17	1	1006507	MOUNT, PANEL, RIGHT, AFT, WHEEL WELL
18	1	1006508	MOUNT, PANEL, LEFT, AFT, WHEEL WELL
19	4	AN6-17A	BOLT, 3/8-24 THREAD, 1-5/16" GRIP, 1-61/64" LENGTH
20	4	MS21044N6	NUT, NYLON INSERT, 250 DEG, STEEL, 0.375-24 THREAD
21	8	NAS1149D0663J	WASHER SCREW SIZE 3/8 OD.625 ID.390 THK.063 ALUM

GEAR TUNNEL ASSEMBLY



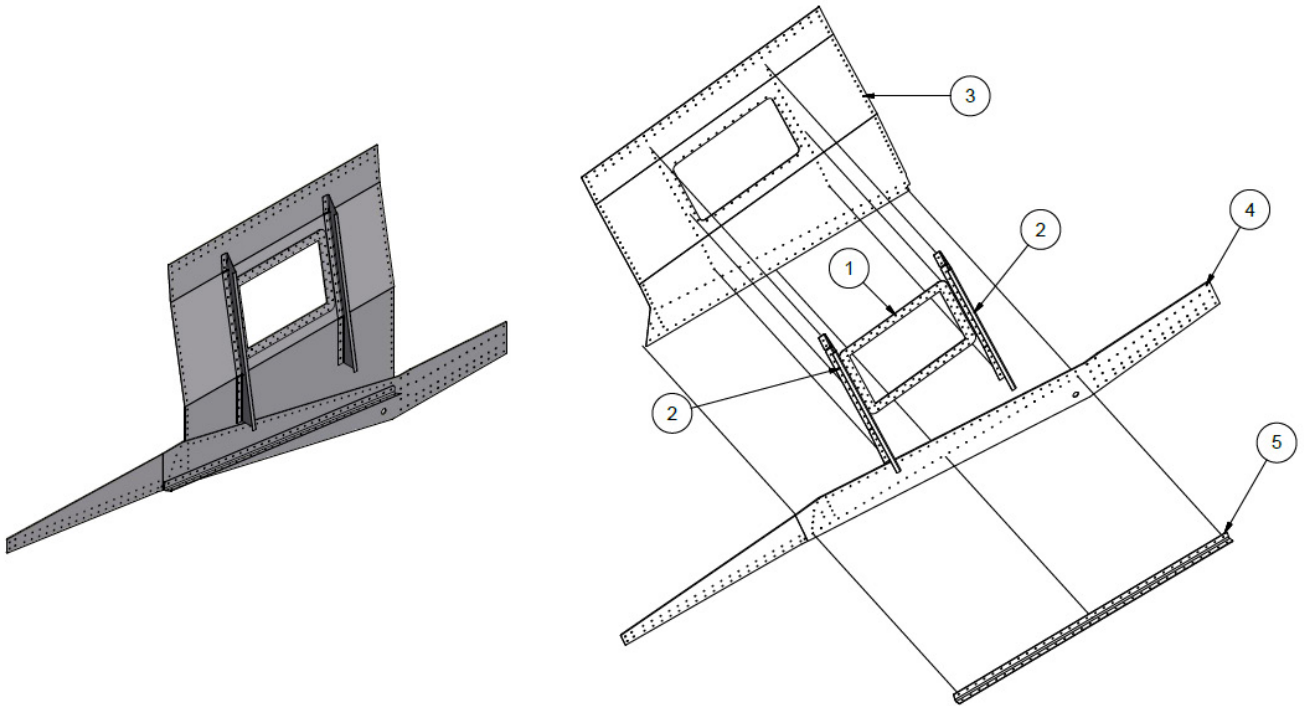
ITEM	QTY	PART NO.	PART DESCRIPTION
-	1	1006350	ASS'Y., GEAR TUNNEL
1	1	1006349	PANEL, FRONT, GEAR TUNNEL
2	1	1006347	PANEL, SIDE, LH, GEAR TUNNEL
3	1	1006348	PANEL, SIDE, RH, GEAR TUNNEL
4	1	1006346	PANEL, BOTTOM, GEAR TUNNEL
5	1	1006284	GUSSET, AFT RAIL, RIGHT
6	1	1006297	BRACE, SUPERPANEL, FWD, BULKHEAD 11, RIGHT FLOAT

WHEEL WELL LEFT PANEL ASSEMBLY



ITEM	QTY	PART NO.	PART DESCRIPTION
-	1	1006351	ASS'Y., WHEEL WELL PANEL, LEFT
1	1	1003222	RETAINER, COVER, WHEEL WELL PANEL, 7000
2	2	1006133	STIFFENER, WHEEL WELL SIDE PANEL
3	1	1006337	PANEL, SIDE, LT, WHEEL WELL
4	1	1006339	STRAP, CARRY THRU, LEFT
5	1	1006341	FLANGE, CARRY THRU STRAP

WHEEL WELL RIGHT PANEL ASSEMBLY



ITEM	QTY	PART NO.	PART DESCRIPTION
-	1	1006352	ASS'Y., WHEEL WELL PANEL, LEFT
1	1	1003222	RETAINER, COVER, WHEEL WELL PANEL, 7000
2	2	1006133	STIFFENER, WHEEL WELL SIDE PANEL
3	1	1006338	PANEL, SIDE, RT, WHEEL WELL
4	1	1006340	STRAP, CARRY THRU, RIGHT
5	1	1006342	FLANGE, CARRY THRU STRAP

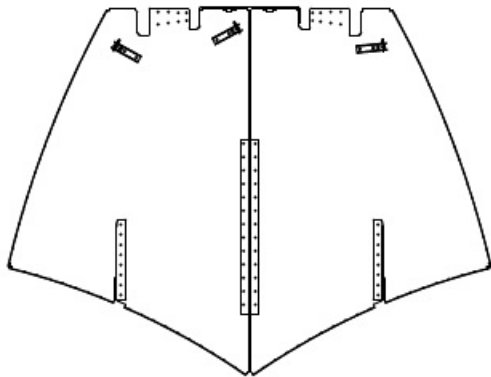
THIS PAGE INTENTIONALLY LEFT BLANK

SECTION 5 AFT BULKHEAD ASSEMBLY

CONTENTS

BULKHEAD 12 LEFT FLOAT ASSEMBLY.....	88
BULKHEAD 12 RIGHT FLOAT ASSEMBLY.....	90
BULKHEAD 13 ASSEMBLY.....	92
BULKHEAD 14 ASSEMBLY.....	93
BULKHEAD 15 ASSEMBLY.....	94
BULKHEAD 16 ASSEMBLY.....	95
BULKHEAD 17 ASSEMBLY.....	96
BULKHEAD 18 ASSEMBLY.....	97
BULKHEAD 19 ASSEMBLY.....	98

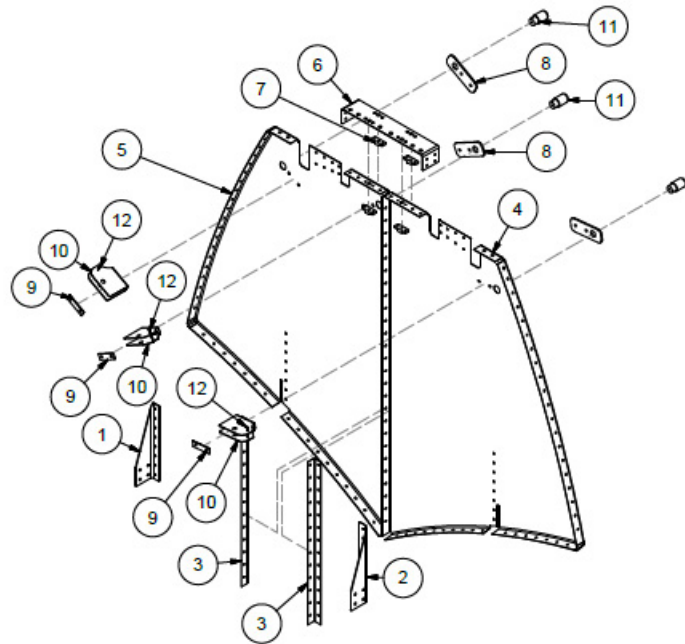
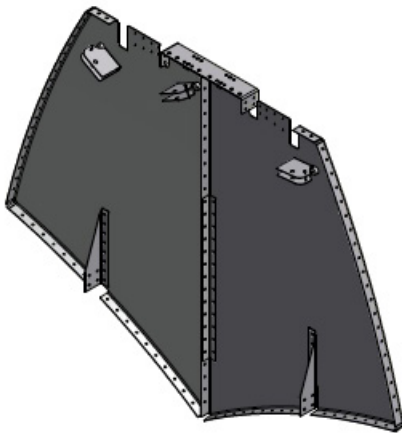
BULKHEAD 12 LEFT FLOAT ASSEMBLY



FWD SIDE



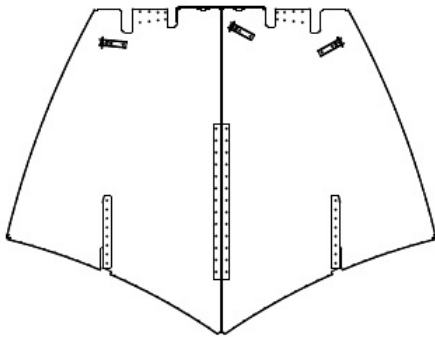
AFT SIDE



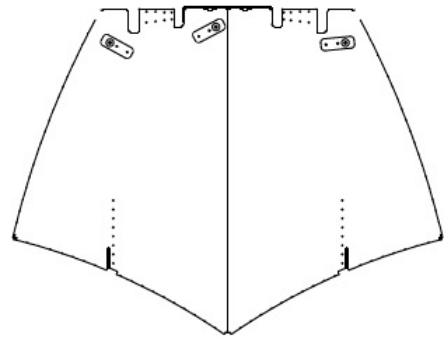
PARTS MANUAL
8750 FLOATS ON CESSNA 208 AND 208B

ITEM	QTY	PART NO.	PART DESCRIPTION
-	1	1006065	ASS'Y., BULKHEAD #12, LEFT FLOAT
1	1	1003217	CLEAT, RT, SISTER KEEL, AFT
2	1	1003218	CLEAT, LT, SISTER KEEL, AFT
3	2	1005967	ANGLE, SUPPORT, BULKHEAD 12
4	1	1006083	PANEL, OB, BH12, LEFT FLOAT
5	1	1006085	PANEL, IB, BH12, LEFT FLOAT
6	1	1006190	SUPPORT, TOPDECK COVER, WIDE
7	4	1006420-01	NUTPLATE, NYLON, 8-32
8	3	1008469	DOUBLER, CABLE GUIDE
9	3	10A01156-179	REINFORCEMENT, PULLEY
10	3	3A01151-010	PULLEY BRACKET
11	3	3A08605-001	CABLE GUIDE
12	3	MS24665-134	COTTER PIN

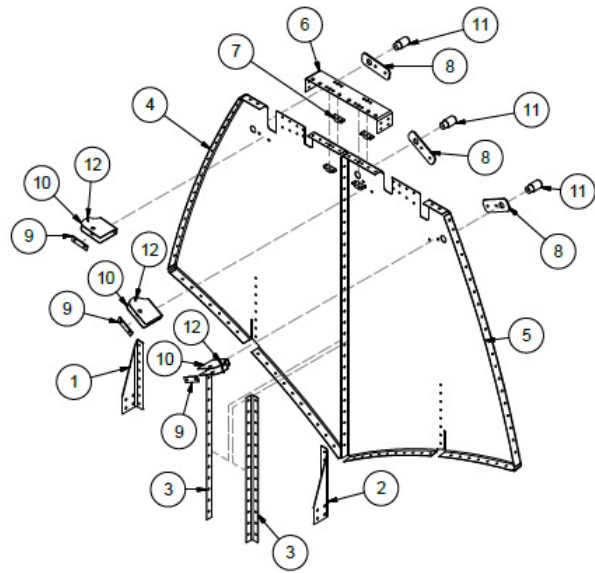
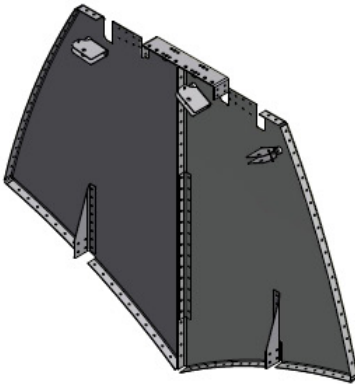
BULKHEAD 12 RIGHT FLOAT ASSEMBLY



FWD SIDE



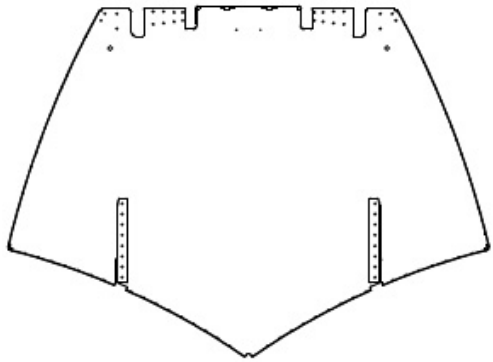
AFT SIDE



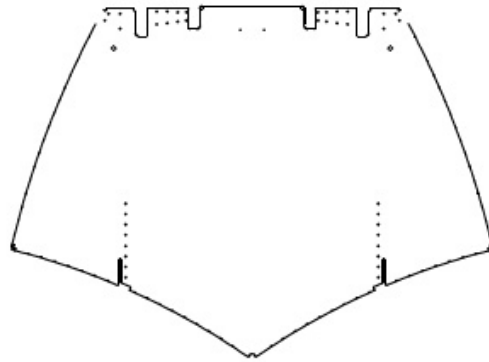
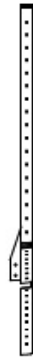
PARTS MANUAL
8750 FLOATS ON CESSNA 208 AND 208B

ITEM	QTY	PART NO.	PART DESCRIPTION
-	1	1006066	ASS'Y., BULKHEAD #12, RIGHT FLOAT
1	1	1003217	CLEAT, RT, SISTER KEEL, AFT
2	1	1003218	CLEAT, LT, SISTER KEEL, AFT
3	2	1005967	ANGLE, SUPPORT, BULKHEAD 12
4	1	1006084	PANEL, OB, BH12, RIGHT FLOAT
5	1	1006086	PANEL, IB, BH12, RIGHT FLOAT
6	1	1006190	SUPPORT, TOPDECK COVER, WIDE
7	4	1006420-01	NUTPLATE, NYLON, 8-32
8	3	1008469	DOUBLER, CABLE GUIDE
9	3	10A01156-179	REINFORCEMENT, PULLEY
10	3	3A01151-010	PULLEY BRACKET
11	3	3A08605-001	CABLE GUIDE
12	3	MS24665-134	COTTER PIN

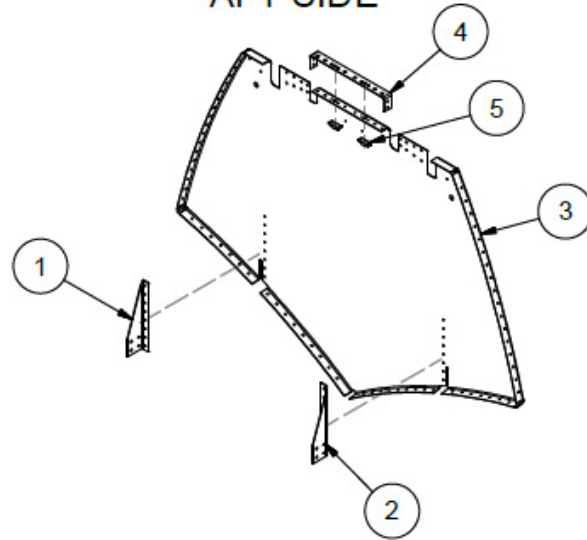
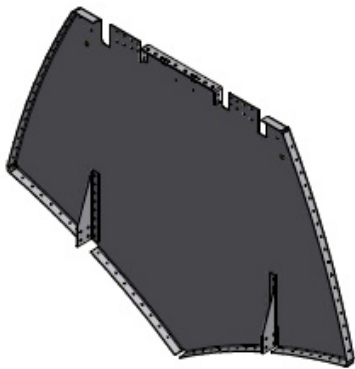
BULKHEAD 13 ASSEMBLY



FWD SIDE

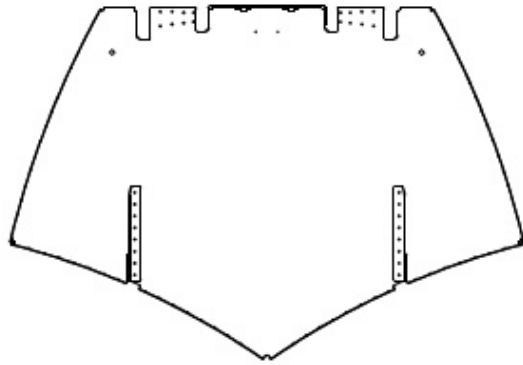


AFT SIDE

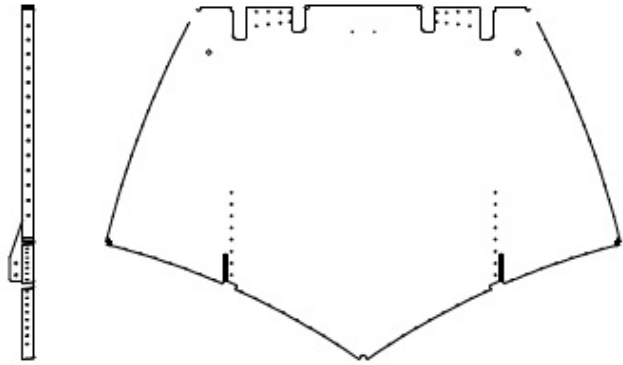


ITEM	QTY	PART NO.	PART DESCRIPTION
-	1	1006067	ASS'Y., BULKHEAD #13
1	1	1003217	CLEAT, RT, SISTER KEEL, AFT
2	1	1003218	CLEAT, LT, SISTER KEEL, AFT
3	1	1006087	PANEL, BH13
4	1	1006276	SUPPORT, TOPDECK COVER
5	2	1006420-01	NUTPLATE, NYLON, 8-32

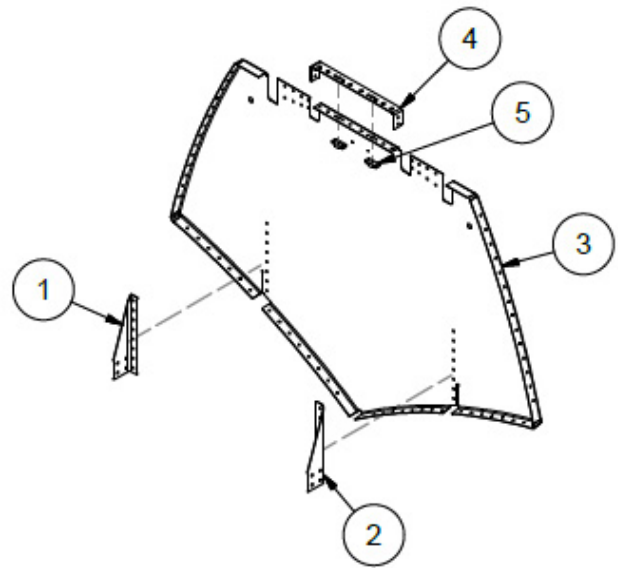
BULKHEAD 14 ASSEMBLY



FWD SIDE

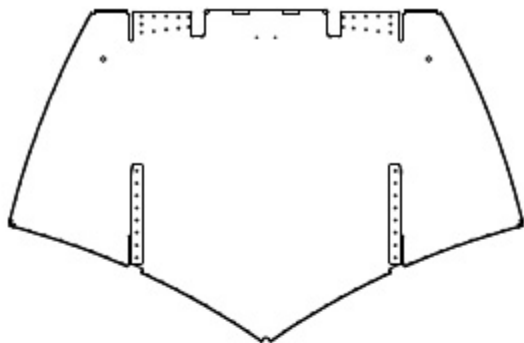


AFT SIDE

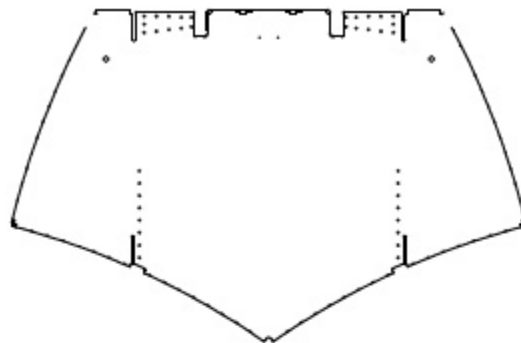


ITEM	QTY	PART NO.	PART DESCRIPTION
-	1	1006068	ASS'Y., BULKHEAD #14
1	1	1003217	CLEAT, RT, SISTER KEEL, AFT
2	1	1003218	CLEAT, LT, SISTER KEEL, AFT
3	1	1006088	PANEL, BH14
4	1	1006276	SUPPORT, TOPDECK COVER
5	2	1006420-01	NUTPLATE, NYLON, 8-32

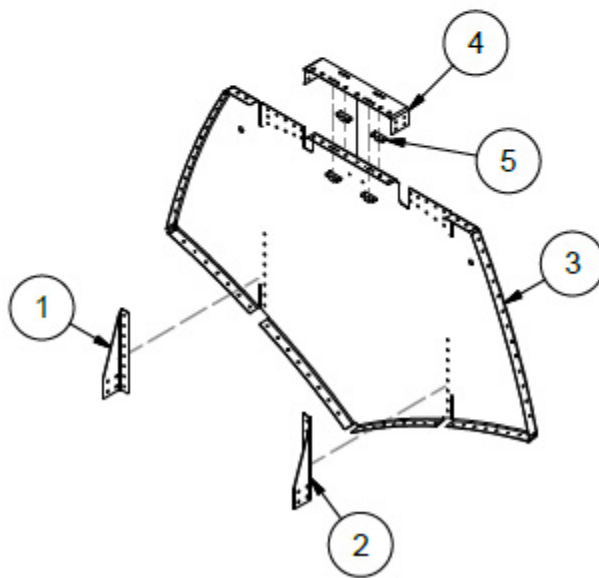
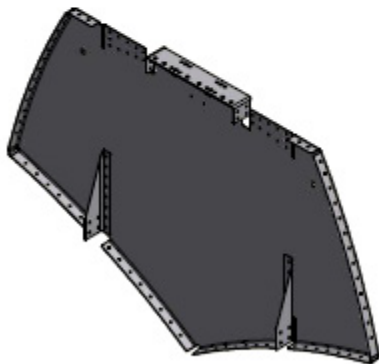
BULKHEAD 15 ASSEMBLY



FWD SIDE

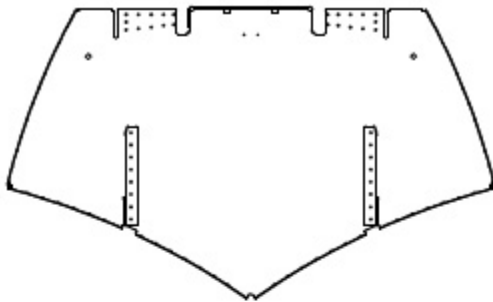


AFT SIDE

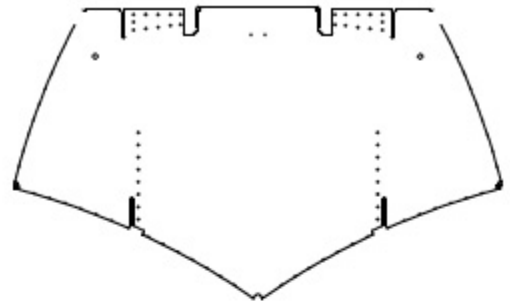
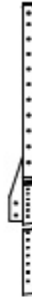


ITEM	QTY	PART NO.	PART DESCRIPTION
-	1	1006069	ASS'Y., BULKHEAD #15
1	1	1003217	CLEAT, RT, SISTER KEEL, AFT
2	1	1003218	CLEAT, LT, SISTER KEEL, AFT
3	1	1006089	PANEL, BH15
4	1	1006190	SUPPORT, TOPDECK COVER, WIDE
5	4	1006420-01	NUTPLATE, NYLON, 8-32

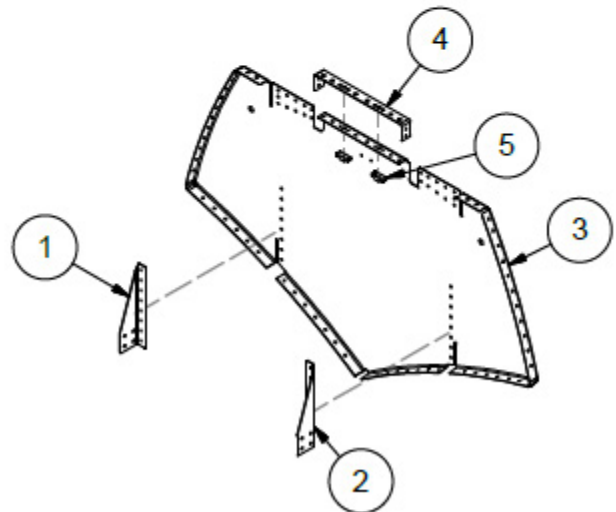
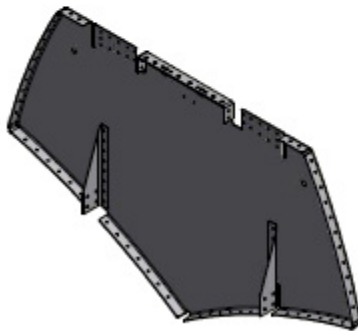
BULKHEAD 16 ASSEMBLY



FWD SIDE

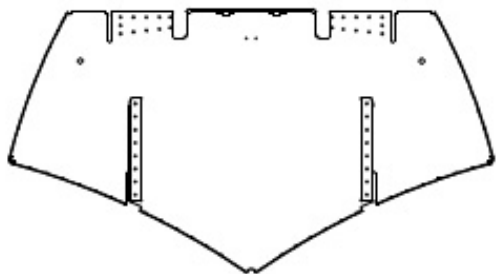


AFT SIDE

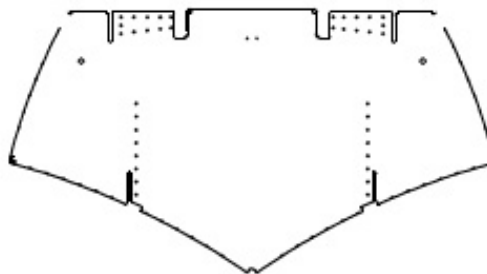


ITEM	QTY	PART NO.	PART DESCRIPTION
-	1	1006070	ASS'Y., BULKHEAD 16
1	1	1003217	CLEAT, RT, SISTER KEEL, AFT
2	1	1003218	CLEAT, LT, SISTER KEEL, AFT
3	1	1006090	PANEL, BH16
4	1	1006276	SUPPORT, TOPDECK COVER
5	2	1006420-01	NUTPLATE, NYLON, 8-32

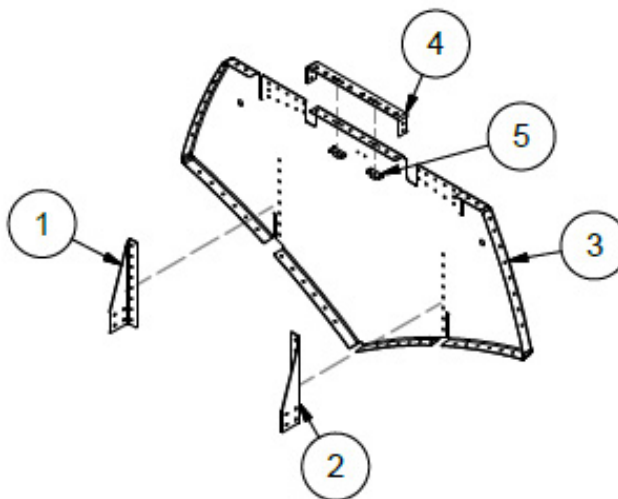
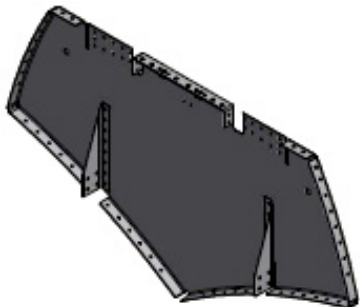
BULKHEAD 17 ASSEMBLY



FWD SIDE

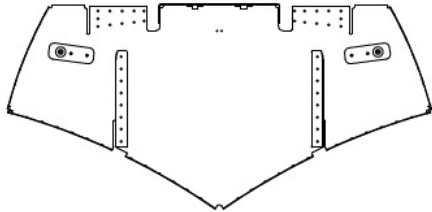


AFT SIDE

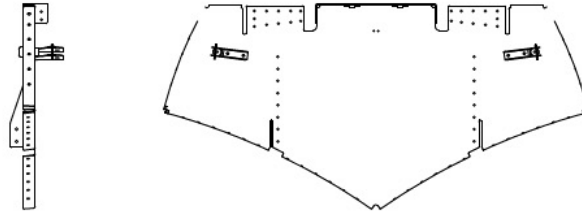


ITEM	QTY	PART NO.	PART DESCRIPTION
-	1	1006071	ASS'Y., BULKHEAD 17
1	1	1003217	CLEAT, RT, SISTER KEEL, AFT
2	1	1003218	CLEAT, LT, SISTER KEEL, AFT
3	1	1006091	PANEL, BH17
4	1	1006276	SUPPORT, TOPDECK COVER
5	2	1006420-01	NUTPLATE, NYLON, 8-32

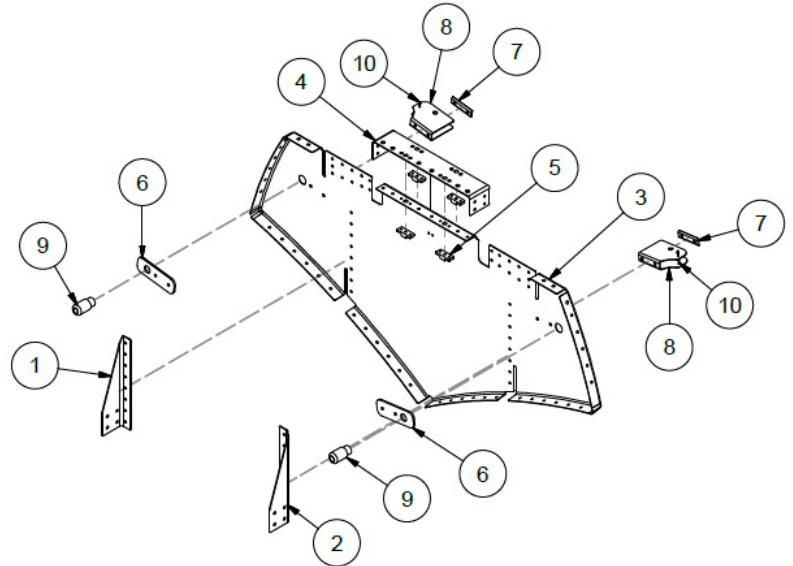
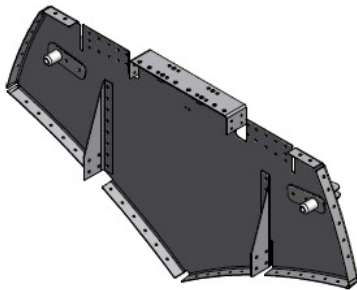
BULKHEAD 18 ASSEMBLY



FWD SIDE

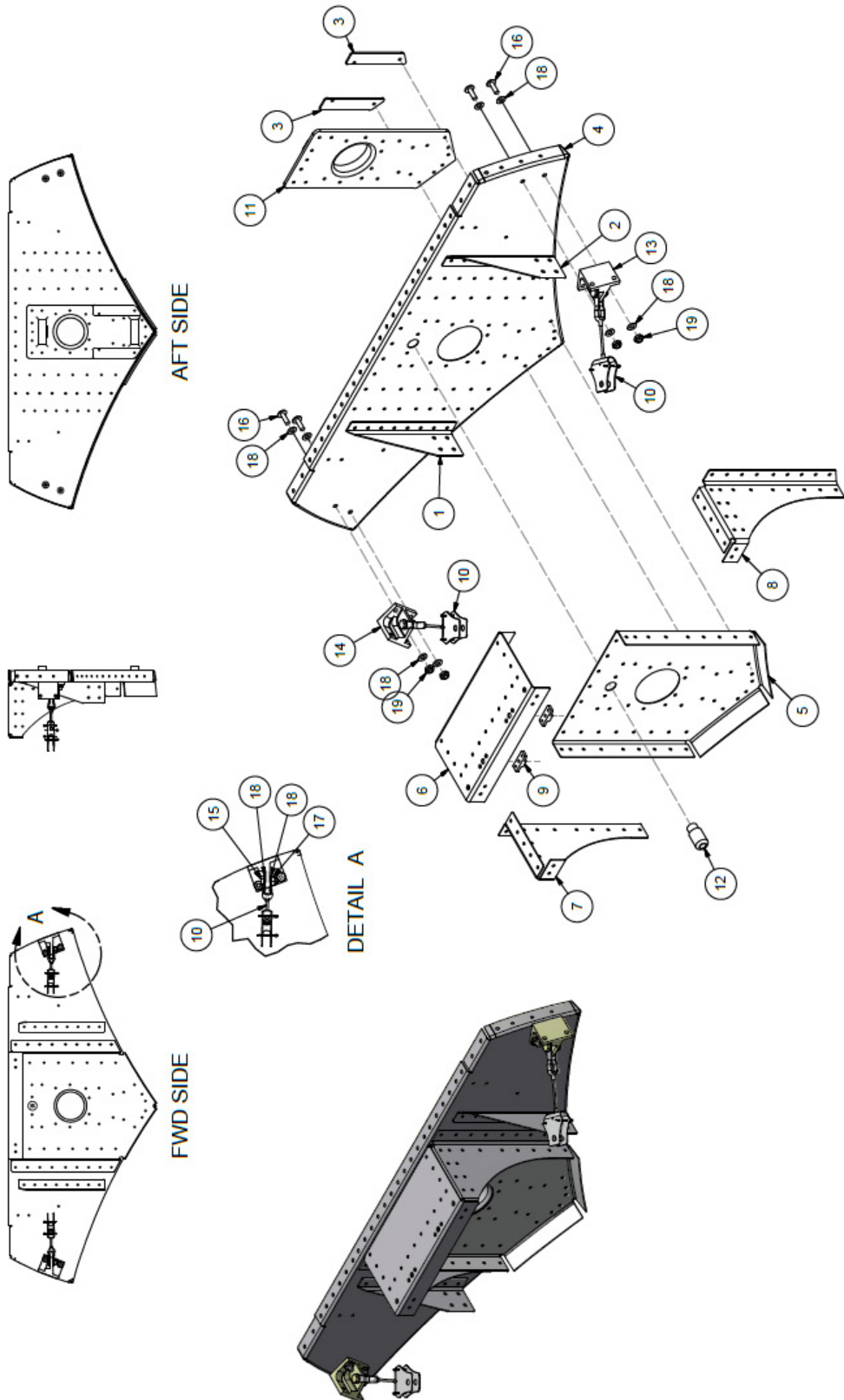


AFT SIDE



ITEM	QTY	PART NO.	PART DESCRIPTION
	1	1006072	ASS'Y., BULKHEAD #18
1	1	1003217	CLEAT, RT, SISTER KEEL, AFT
2	1	1003218	CLEAT, LT, SISTER KEEL, AFT
3	1	1006092	PANEL, BH18
4	1	1006190	SUPPORT, TOPDECK COVER, WIDE
5	4	1006420-01	NUTPLATE, NYLON, 8-32
6	2	1008469	DOUBLER, CABLE GUIDE
7	2	10A01156-179	REINFORCEMENT, PULLEY
8	2	3A01151-010	PULLEY BRACKET
9	2	3A08605-001	CABLE GUIDE
10	2	MS24665-134	COTTER PIN

BULKHEAD 19 ASSEMBLY



PARTS MANUAL
8750 FLOATS ON CESSNA 208 AND 208B

ITEM	QTY	PART NO.	PART DESCRIPTION
-	1	1006073	ASS'Y., BULKHEAD #19
1	1	1003217	CLEAT, RT, SISTER KEEL, AFT
2	1	1003218	CLEAT, LT, SISTER KEEL, AFT
3	2	1004679	PLATE, WATER RUDDER STOP
4	1	1006093	PANEL, BH19
5	1	1006191	DOUBLER, WATER RUDDER PIVOT
6	1	1006192	DOUBLER, WATER RUDDER PIVOT, TOP
7	1	1006193	GUSSET, WATER RUDER PIVOT, SIDE, LH
8	1	1006194	GUSSET, WATER RUDER PIVOT, SIDE, RH
9	2	1006420-01	NUTPLATE, NYLON, 8-32
10	2	1006935	ASSY, CABLE, PULLEY
11	1	3A01437-001	ASSEMBLY, MOUNT, PIVOT, WATER RUDDER
12	1	3A08605-001	CABLE GUIDE
13	1	8A08194-001	BRACKET, WATER RUDDER PULLEY
14	1	8A08194-002	BRACKET, WATER RUDDER PULLEY
15	2	AN3-5A	BOLT, 10-32, 0.25 GRIP, UNDRILLED, STEEL
16	4	AN526C1032R10	SCREW, MACHINE, TRUSS HEAD
17	2	MS21045-3	NUT, SELF LOCKING
18	12	NAS1149D0316J	WASHER, 0.203 ID, 0.016 THK, ALUMINUM
19	4	NAS679-A3W	KAYNAR NUT

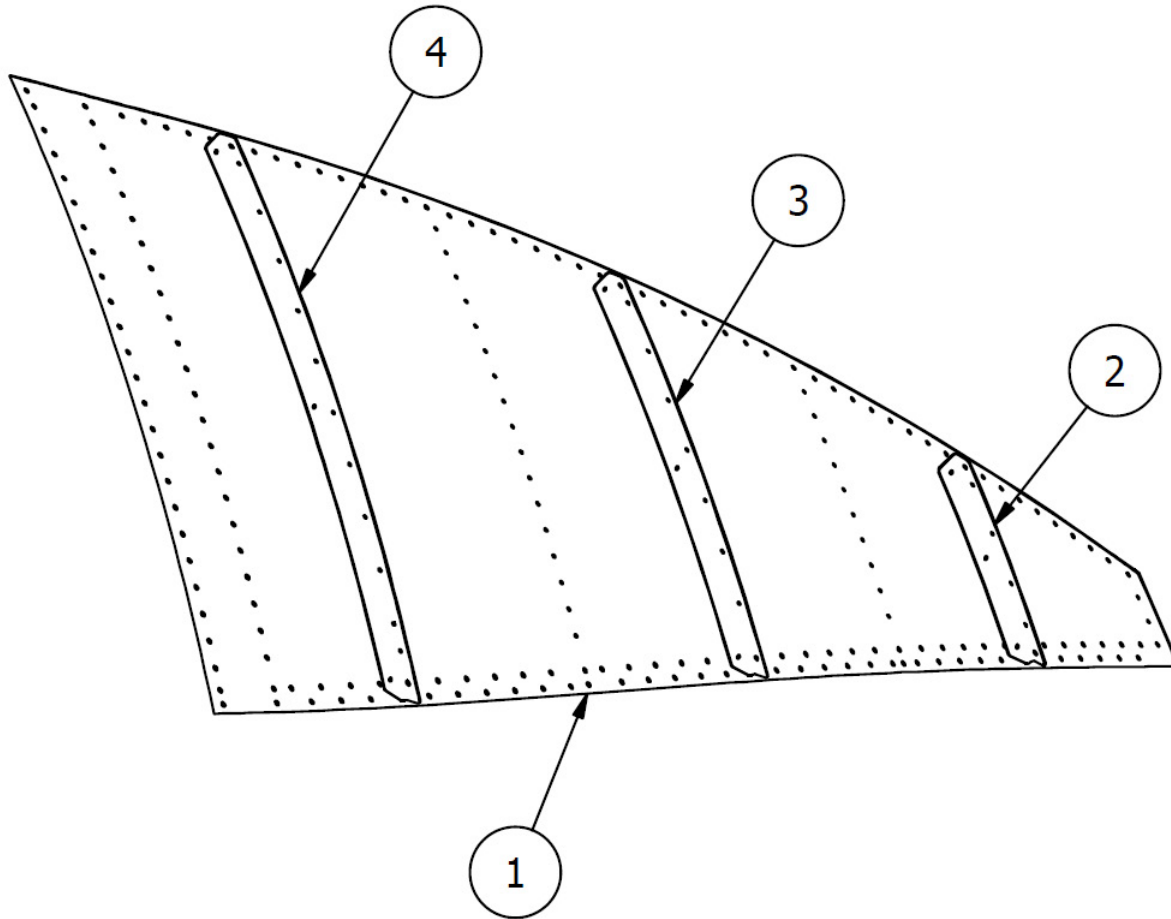
THIS PAGE INTENTIONALLY LEFT BLANK

SECTION 6 SKINS

CONTENTS

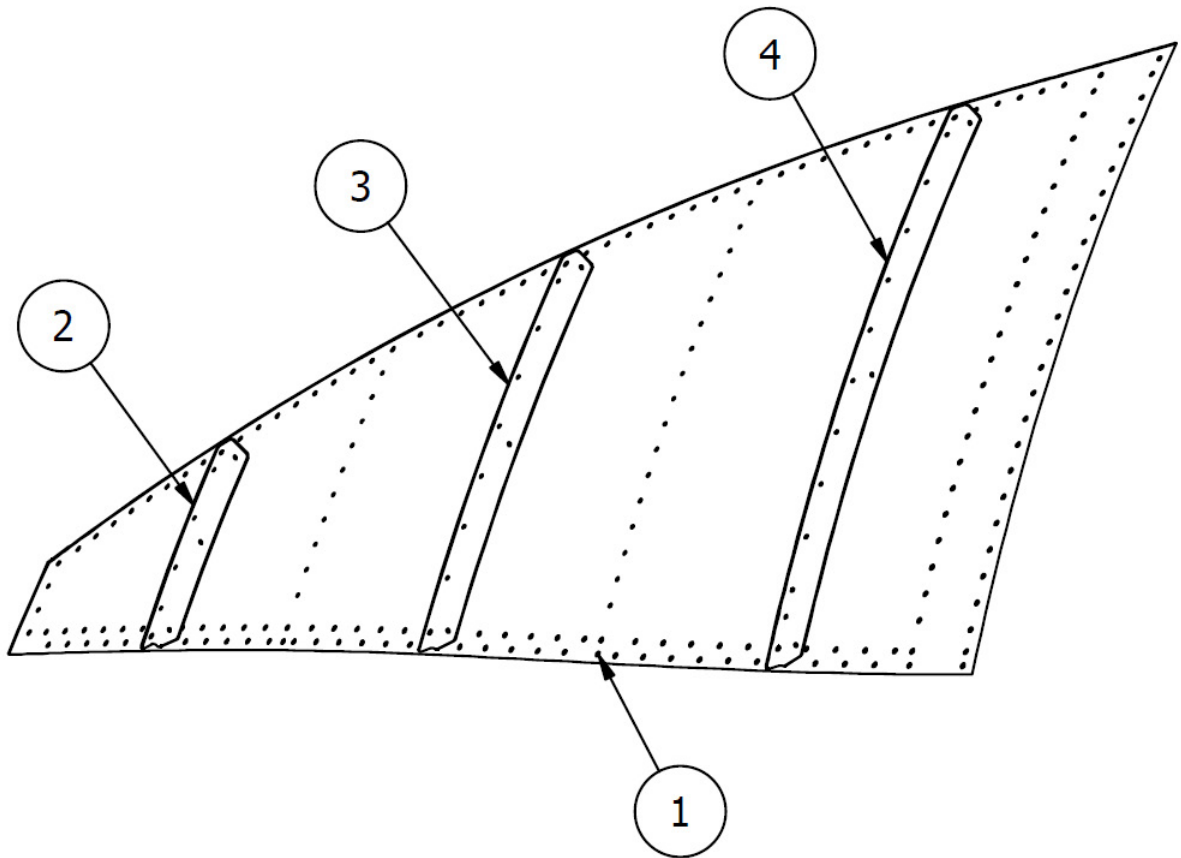
SKIN, FWD, OBRD, BH01-BH04 LEFT FLOAT ASSEMBLY	102
SKIN, FWD, OBRD, BH01-BH04 RIGHT FLOAT ASSEMBLY	103
SIDE SKIN, OUTBOARD, BH04-BH09 LEFT FLOAT ASSEMBLY	104
SIDE SKIN, INBOARD, BH04-BH09 LEFT FLOAT ASSEMBLY	105
SIDE SKIN, OUTBOARD, BH04-BH09 RIGHT FLOAT ASSEMBLY.....	106
SIDE SKIN, INBOARD, BH04-BH09 RIGHT FLOAT ASSEMBLY	107
SIDE SKIN, OUTBOARD, BH09-BH13 LEFT FLOAT ASSEMBLY	108
SIDE SKIN, INBOARD, BH09-BH13 LEFT FLOAT ASSEMBLY	109
SIDE SKIN, OUTBOARD, BH09-BH13 RIGHT FLOAT ASSEMBLY.....	110
SIDE SKIN, INBOARD, BH09-BH13 RIGHT FLOAT ASSEMBLY	111
SIDE SKIN, BH13-BH19 LEFT ASSEMBLY	112
SIDE SKIN, BH13-BH19 RIGHT ASSEMBLY	113

SKIN, FWD, OBRD, BH01-BH04 LEFT FLOAT ASSEMBLY



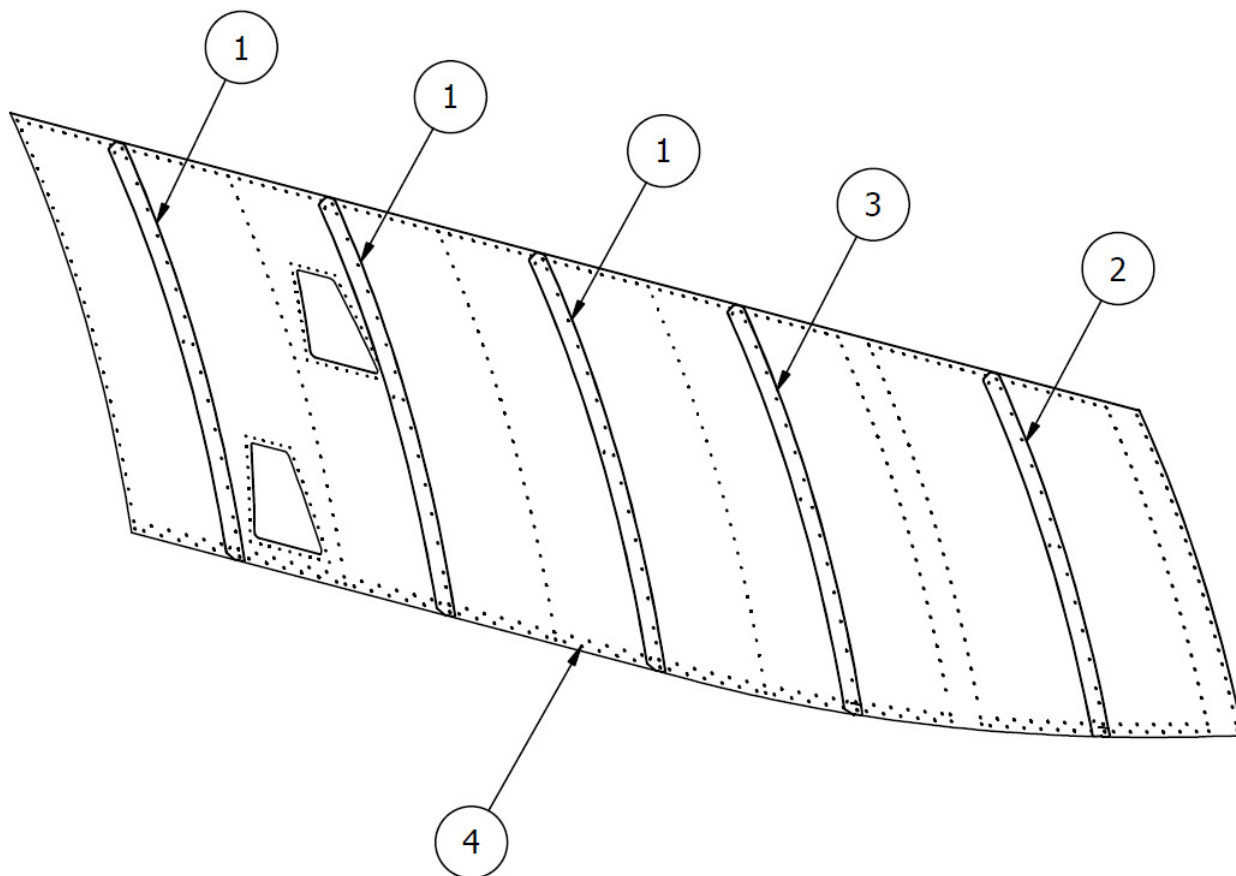
ITEM	QTY	PART NO.	PART DESCRIPTION
1	1	1003189	SKIN, SIDE, FWD, OBRD, LT FLT, 7000
2	1	1003796	STIFFENER, FWD, FWD SIDE SKIN, LH FLT
3	1	1003798	STIFFENER, MID, FWD SIDE SKIN, LH FLT
4	1	1003800	STIFFENER, AFT, FWD SIDE SKIN, LH FLT

SKIN, FWD, OBRD, BH01-BH04 RIGHT FLOAT ASSEMBLY



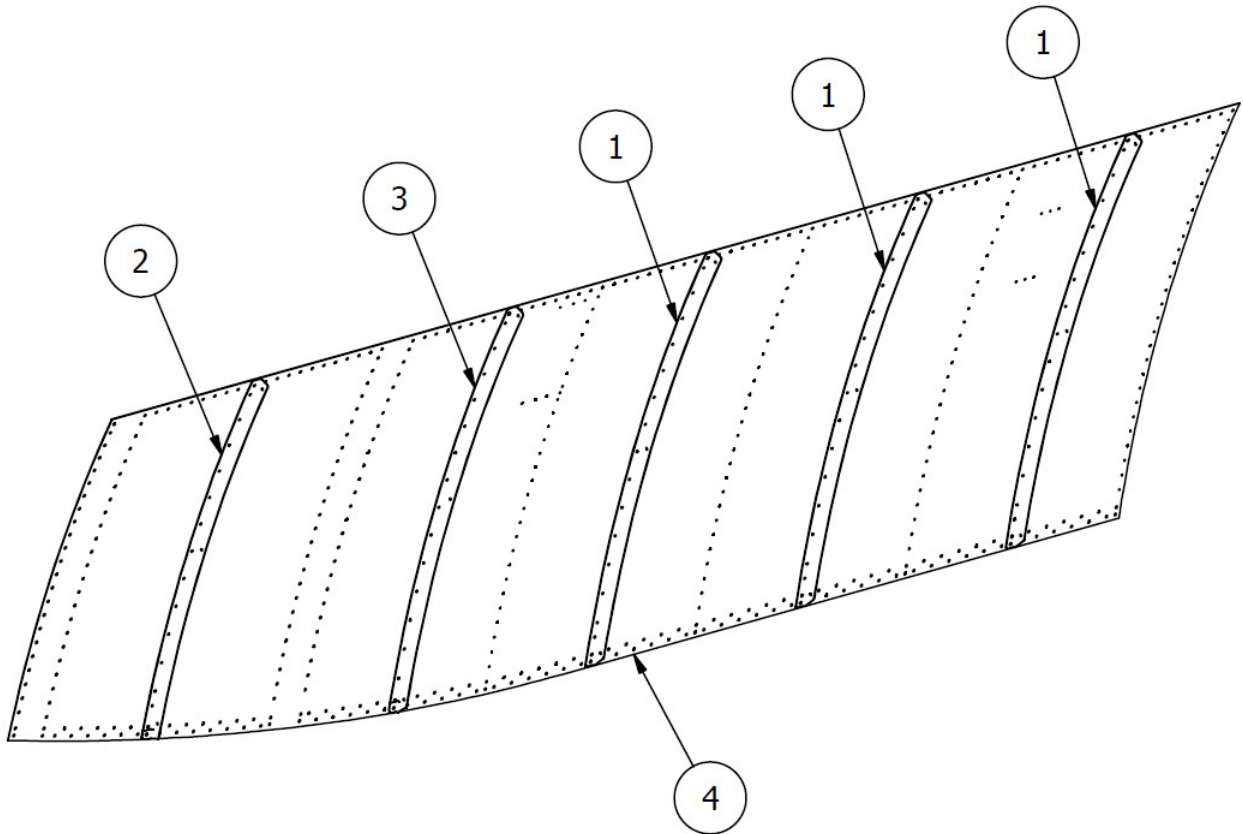
ITEM	QTY	PART NO.	PART DESCRIPTION
1	1	1003190	SKIN, SIDE, FWD, OBRD, RT FLT, 7000
2	1	1003797	STIFFENER, FWD, FWD SIDE SKIN, RT FLT
3	1	1003799	STIFFENER, MID, FWD SIDE SKIN, RT FLT
4	1	1003801	STIFFENER, AFT, FWD SIDE SKIN

SIDE SKIN, OUTBOARD, BH04-BH09 LEFT FLOAT ASSEMBLY



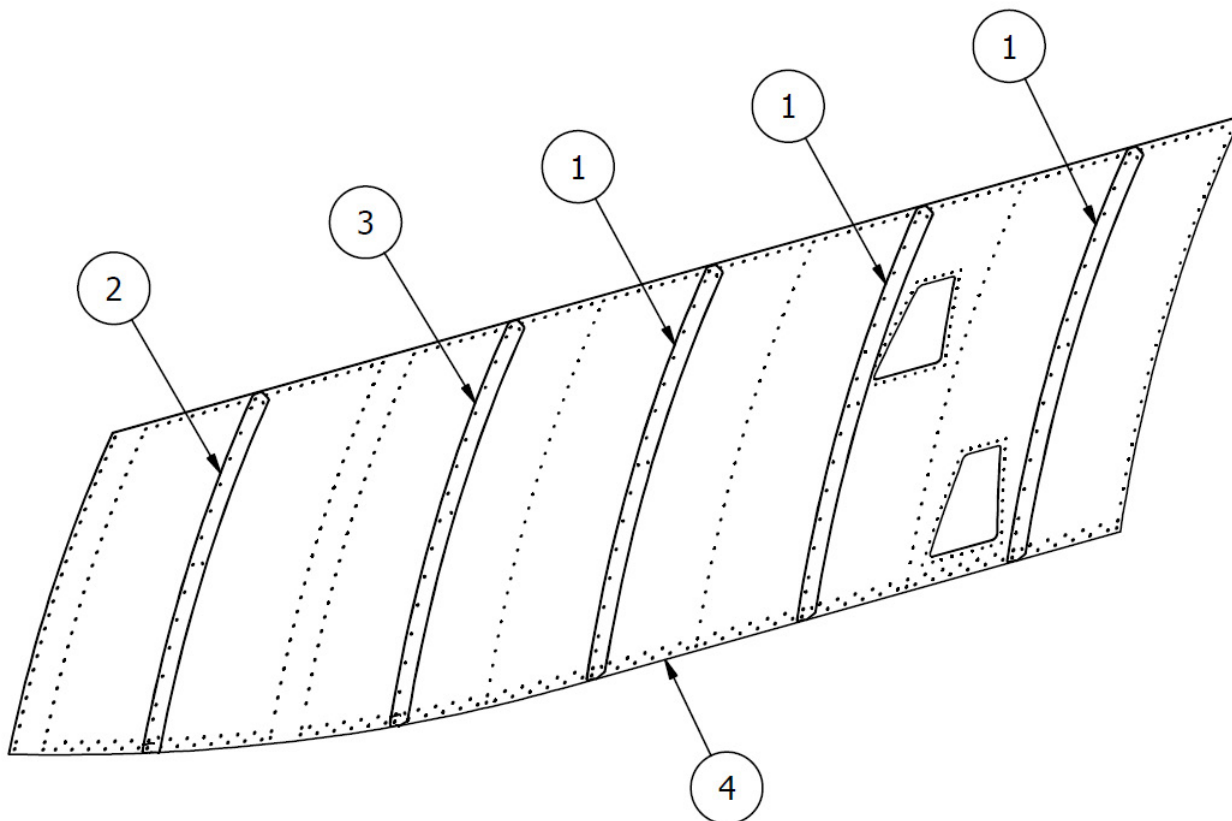
ITEM	QTY	PART NO.	PART DESCRIPTION
1	3	1003577	STIFFENER, SIDE SKIN, LH
2	1	1006140	STIFFENER, SIDE SKIN, LH
3	1	1006142	STIFFENER, SIDE SKIN, LH
4	1	1006355	SKIN, SIDE, OUTBOARD, LH, BH04-BH09

SIDE SKIN, INBOARD, BH04-BH09 LEFT FLOAT ASSEMBLY



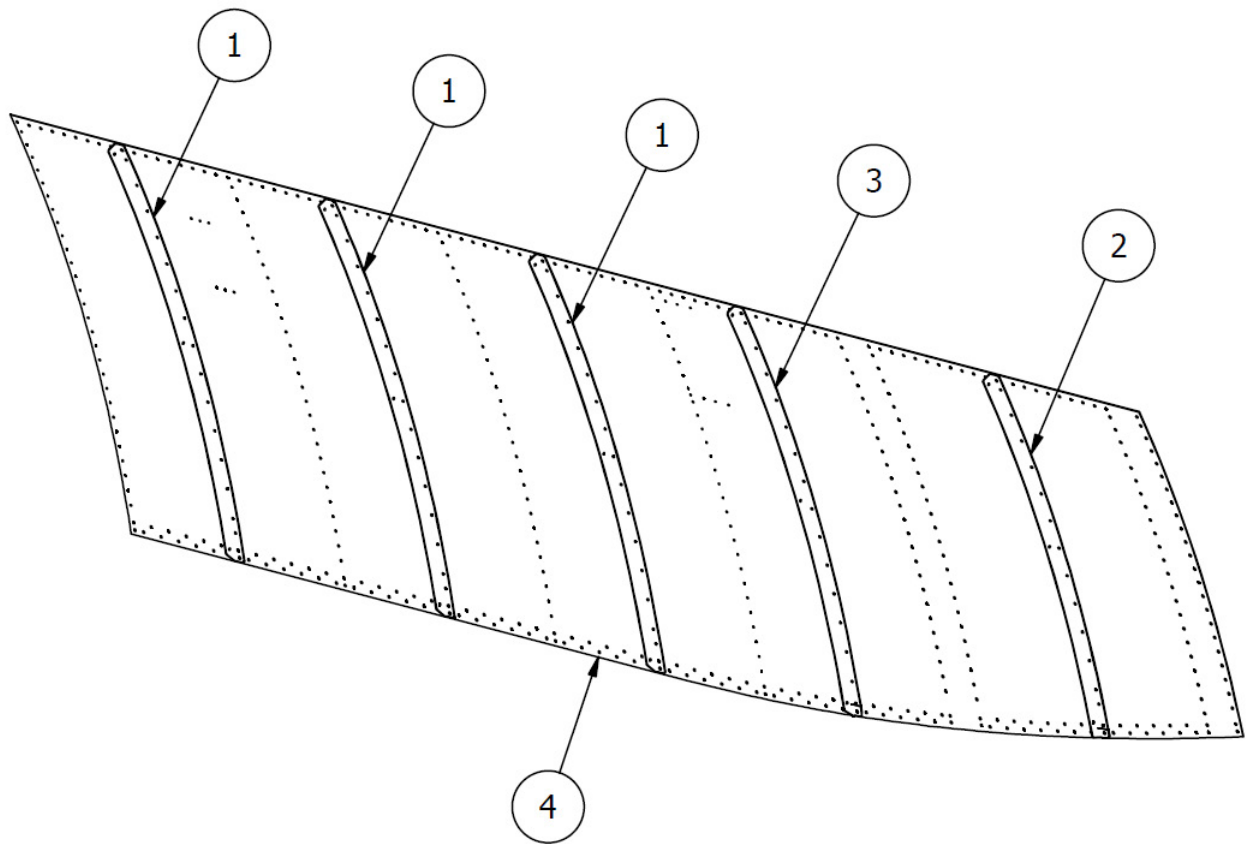
ITEM	QTY	PART NO.	PART DESCRIPTION
1	3	1003578	STIFFENER, SIDE SKIN, RH
2	1	1006141	STIFFENER, SIDE SKIN, RH
3	1	1006143	STIFFENER, SIDE SKIN, RH
4	1	1006356	SKIN, SIDE, INBOARD, LH, BH04-BH09

SIDE SKIN, OUTBOARD, BH04-BH09 RIGHT FLOAT ASSEMBLY



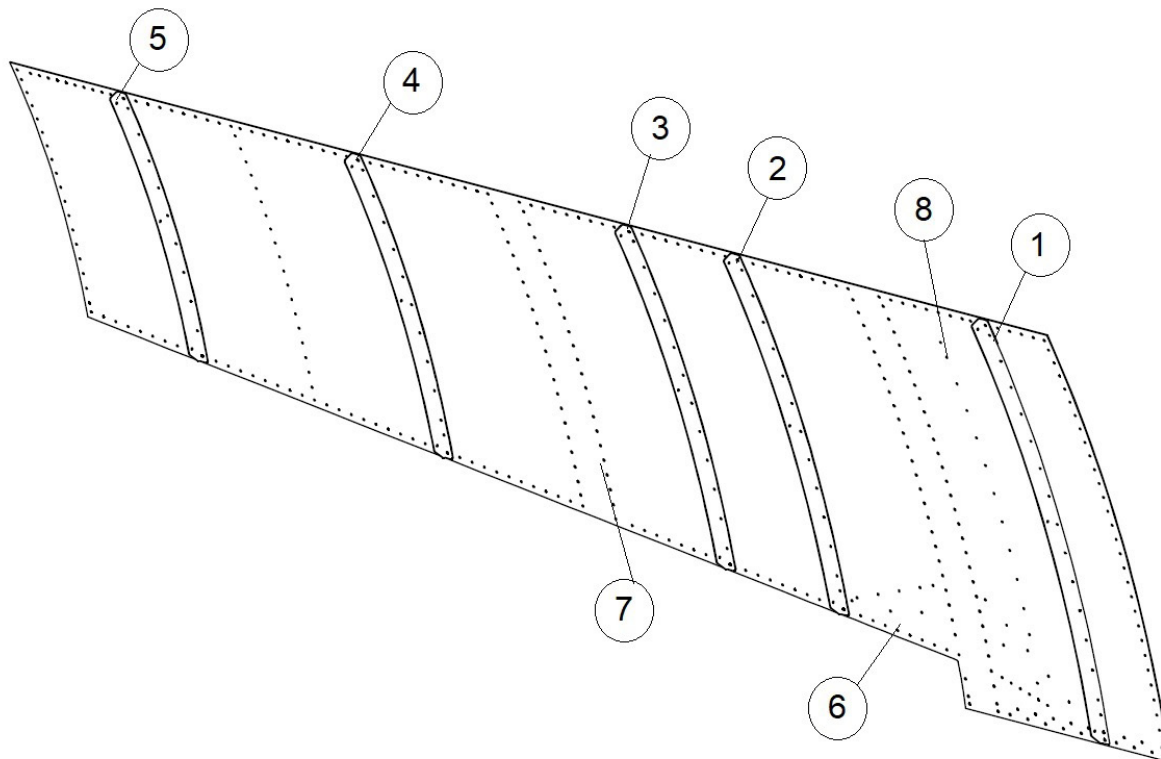
ITEM	QTY	PART NO.	PART DESCRIPTION
1	3	1003578	STIFFENER, SIDE SKIN, RH
2	1	1006141	STIFFENER, SIDE SKIN, RH
3	1	1006143	STIFFENER, SIDE SKIN, RH
4	1	1006165	SKIN, SIDE, OUTBOARD, RH, BH04-BH09

SIDE SKIN, INBOARD, BH04-BH09 RIGHT FLOAT ASSEMBLY



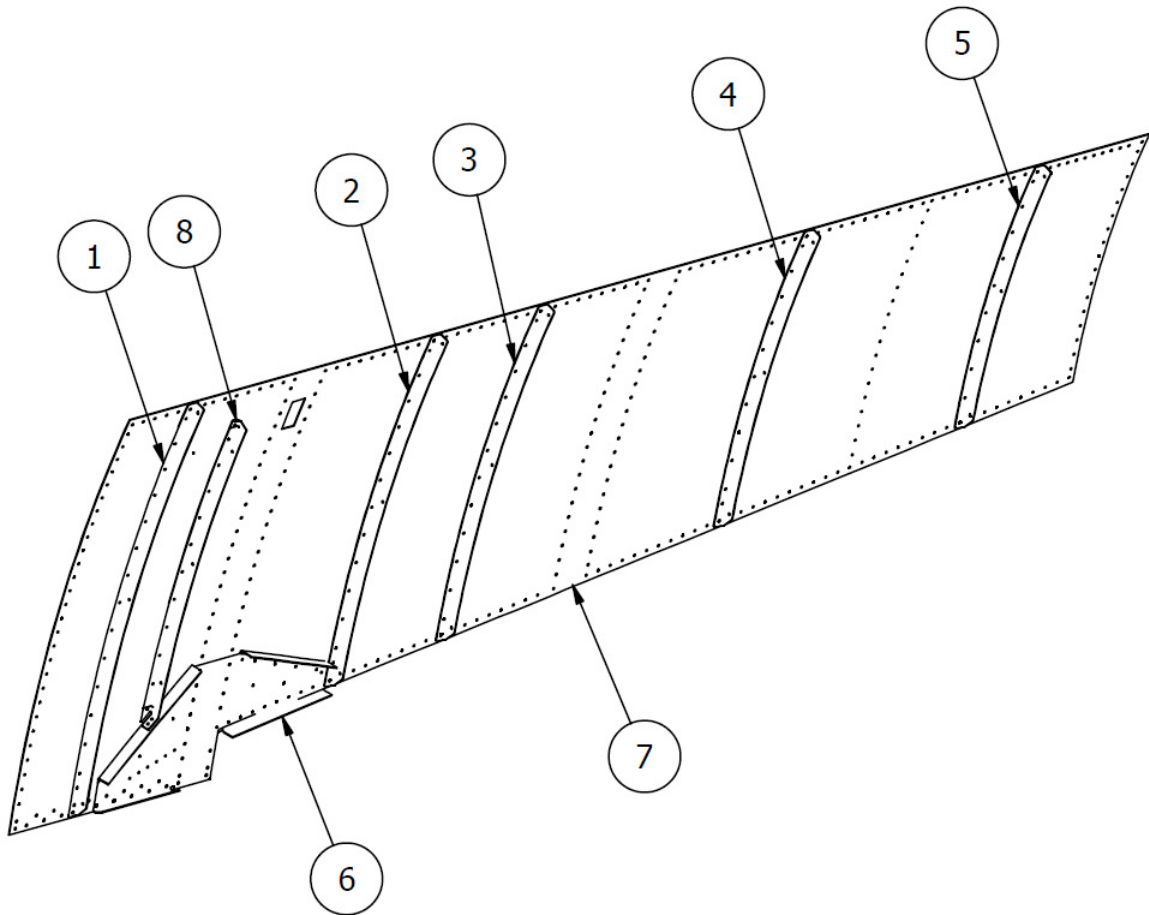
ITEM	QTY	PART NO.	PART DESCRIPTION
1	3	1003577	STIFFENER, SIDE SKIN, LH
2	1	1006140	STIFFENER, SIDE SKIN, LH
3	1	1006142	STIFFENER, SIDE SKIN, LH
4	1	1006164	SKIN, SIDE, INBOARD, RH, BH04-BH09

SIDE SKIN, OUTBOARD, BH09-BH13 LEFT FLOAT ASSEMBLY



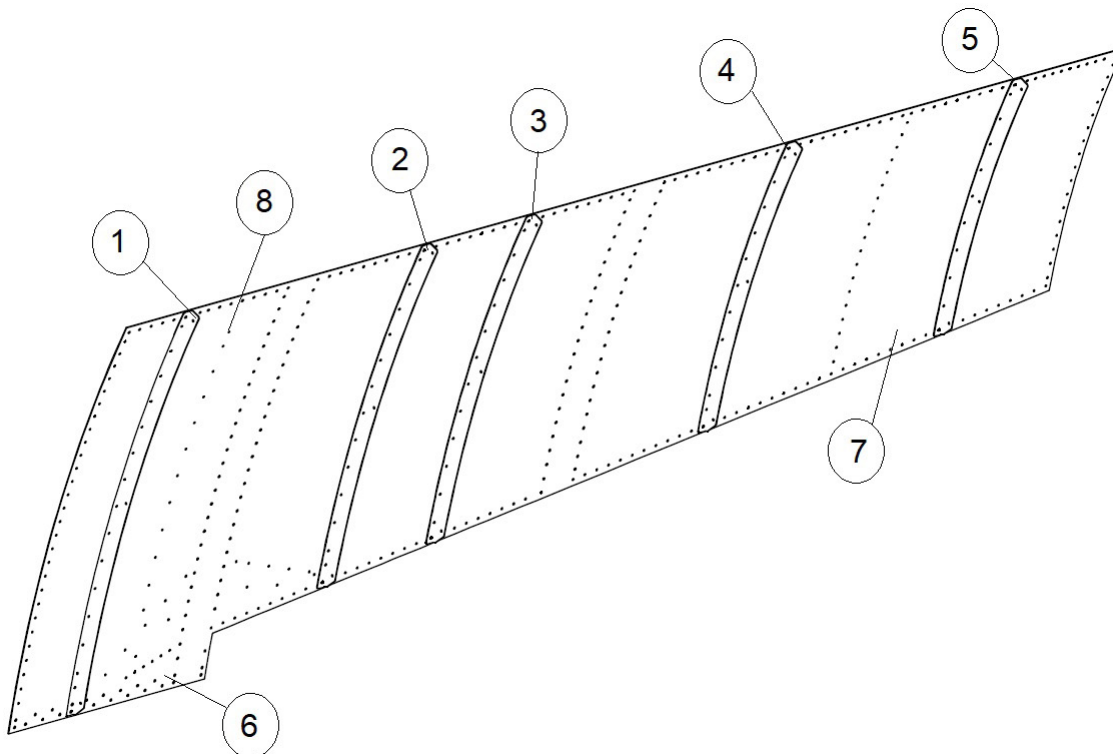
ITEM	QTY	PART NO.	PART DESCRIPTION
1	1	1003577	STIFFENER, SIDE SKIN, LH
2	1	1006144	STIFFENER, SIDE SKIN, LH
3	1	1006146	STIFFENER, SIDE SKIN, LH
4	1	1006148	STIFFENER, SIDE SKIN, LH
5	1	1006150	STIFFENER, SIDE SKIN, LH
6	1	1006215	DOULBER, SIDESKIN, BH10, LH
7	1	1006454	SKIN, SIDE, OUTBOARD, LH, BH09-BH13
8	1	1006460	STIFFENER, SIDE SKIN, LH

SIDE SKIN, INBOARD, BH09-BH13 LEFT FLOAT ASSEMBLY



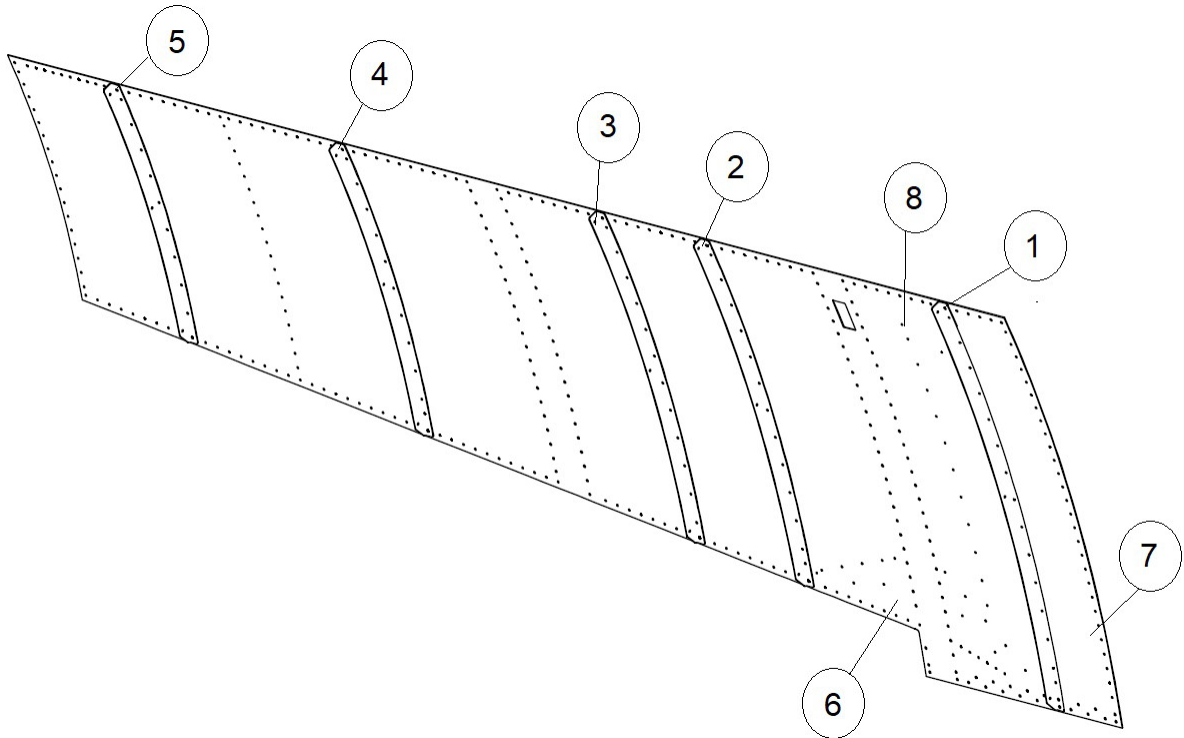
ITEM	QTY	PART NO.	PART DESCRIPTION
1	1	1003578	STIFFENER, SIDE SKIN, RH
2	1	1006145	STIFFENER, SIDE SKIN, RH
3	1	1006147	STIFFENER, SIDE SKIN, RH
4	1	1006149	STIFFENER, SIDE SKIN, RH
5	1	1006151	STIFFENER, SIDE SKIN, RH
6	1	1006216	DOULBER, SIDESKIN, BH10, RH
7	1	1006455	SKIN, SIDE, INBOARD, LH, BH09-BH13
8	1	1006461	STIFFENER, SIDE SKIN, RH

SIDE SKIN, OUTBOARD, BH09-BH13 RIGHT FLOAT ASSEMBLY



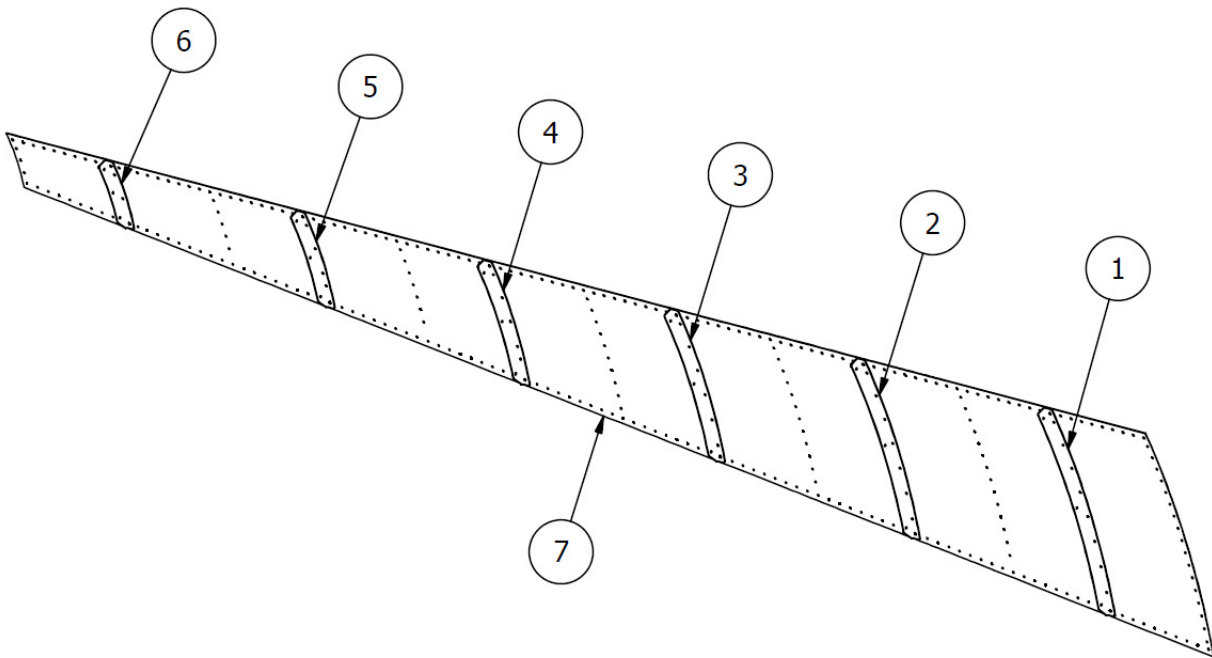
ITEM	QTY	PART NO.	PART DESCRIPTION
1	1	1003578	STIFFENER, SIDE SKIN, RH
2	1	1006145	STIFFENER, SIDE SKIN, RH
3	1	1006147	STIFFENER, SIDE SKIN, RH
4	1	1006149	STIFFENER, SIDE SKIN, RH
5	1	1006151	STIFFENER, SIDE SKIN, RH
6	1	1006216	DOULBER, SIDESKIN, BH10, RH
7	1	1006167	SKIN, SIDE, OUTBOARD, RH, BH09-BH13
8	1	1006461	STIFFENER, SIDE SKIN, RH

SIDE SKIN, INBOARD, BH09-BH13 RIGHT FLOAT ASSEMBLY



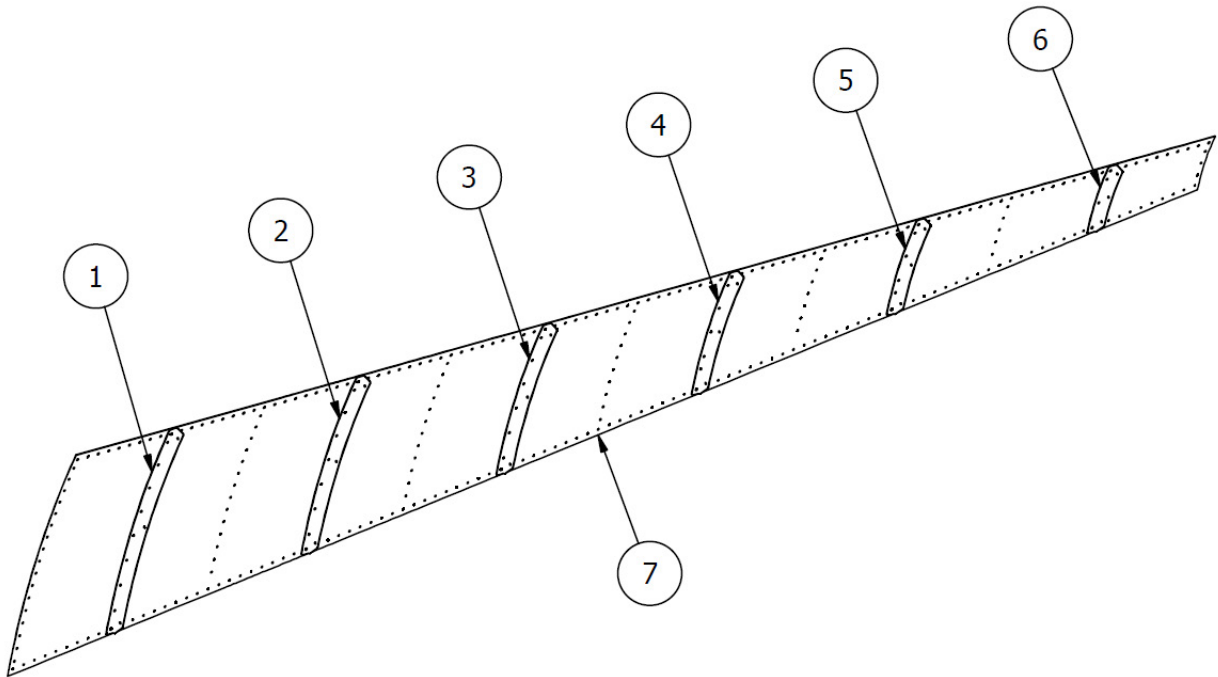
ITEM	QTY	PART NO.	PART DESCRIPTION
1	1	1003577	STIFFENER, SIDE SKIN, LH
2	1	1006144	STIFFENER, SIDE SKIN, LH
3	1	1006146	STIFFENER, SIDE SKIN, LH
4	1	1006148	STIFFENER, SIDE SKIN, LH
5	1	1006150	STIFFENER, SIDE SKIN, LH
6	1	1006215	DOULBER, SIDESKIN, BH10, LH
7	1	1006166	SKIN, SIDE, INBOARD, RH, BH09-BH13
8	1	1006460	STIFFENER, SIDE SKIN, LH

SIDE SKIN, BH13-BH19 LEFT ASSEMBLY



ITEM	QTY	PART NO.	PART DESCRIPTION
1	1	1006152	STIFFENER, SIDE SKIN, LH
2	1	1006154	STIFFENER, SIDE SKIN, LH
3	1	1006156	STIFFENER, SIDE SKIN, LH
4	1	1006158	STIFFENER, SIDE SKIN, LH
5	1	1006160	STIFFENER, SIDE SKIN, LH
6	1	1006162	STIFFENER, SIDE SKIN, LH
7	1	1006357	SKIN, SIDE, BH13-BH19, LH

SIDE SKIN, BH13-BH19 RIGHT ASSEMBLY



ITEM	QTY	PART NO.	PART DESCRIPTION
1	1	1006153	STIFFENER, SIDE SKIN, RH
2	1	1006155	STIFFENER, SIDE SKIN, RH
3	1	1006157	STIFFENER, SIDE SKIN, RH
4	1	1006159	STIFFENER, SIDE SKIN, RH
5	1	1006161	STIFFENER, SIDE SKIN, RH
6	1	1006163	STIFFENER, SIDE SKIN, RH
7	1	1006358	SKIN, SIDE, BH13-BH19, RH

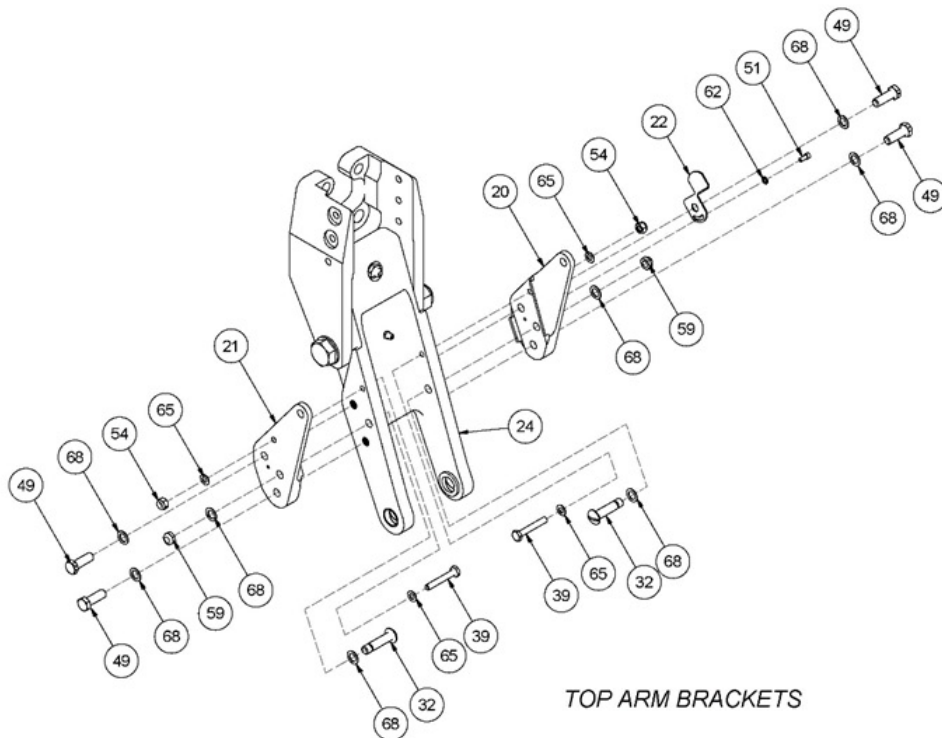
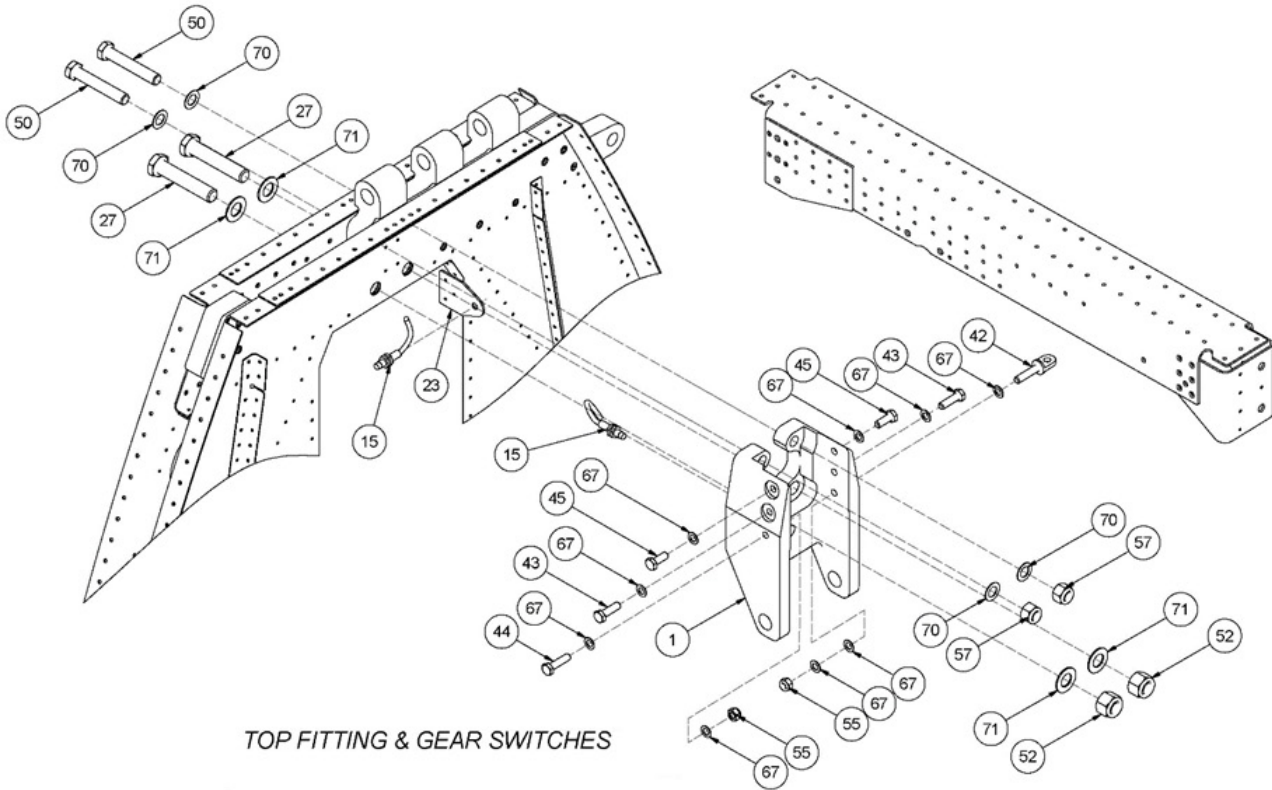
THIS PAGE INTENTIONALLY LEFT BLANK

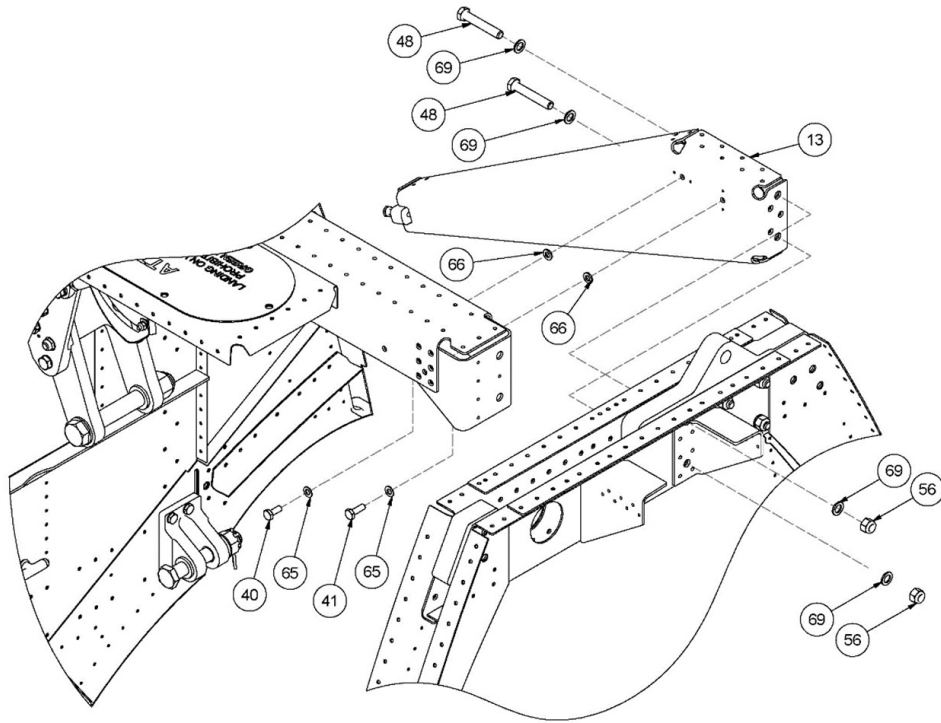
SECTION 7 LANDING GEAR

CONTENTS

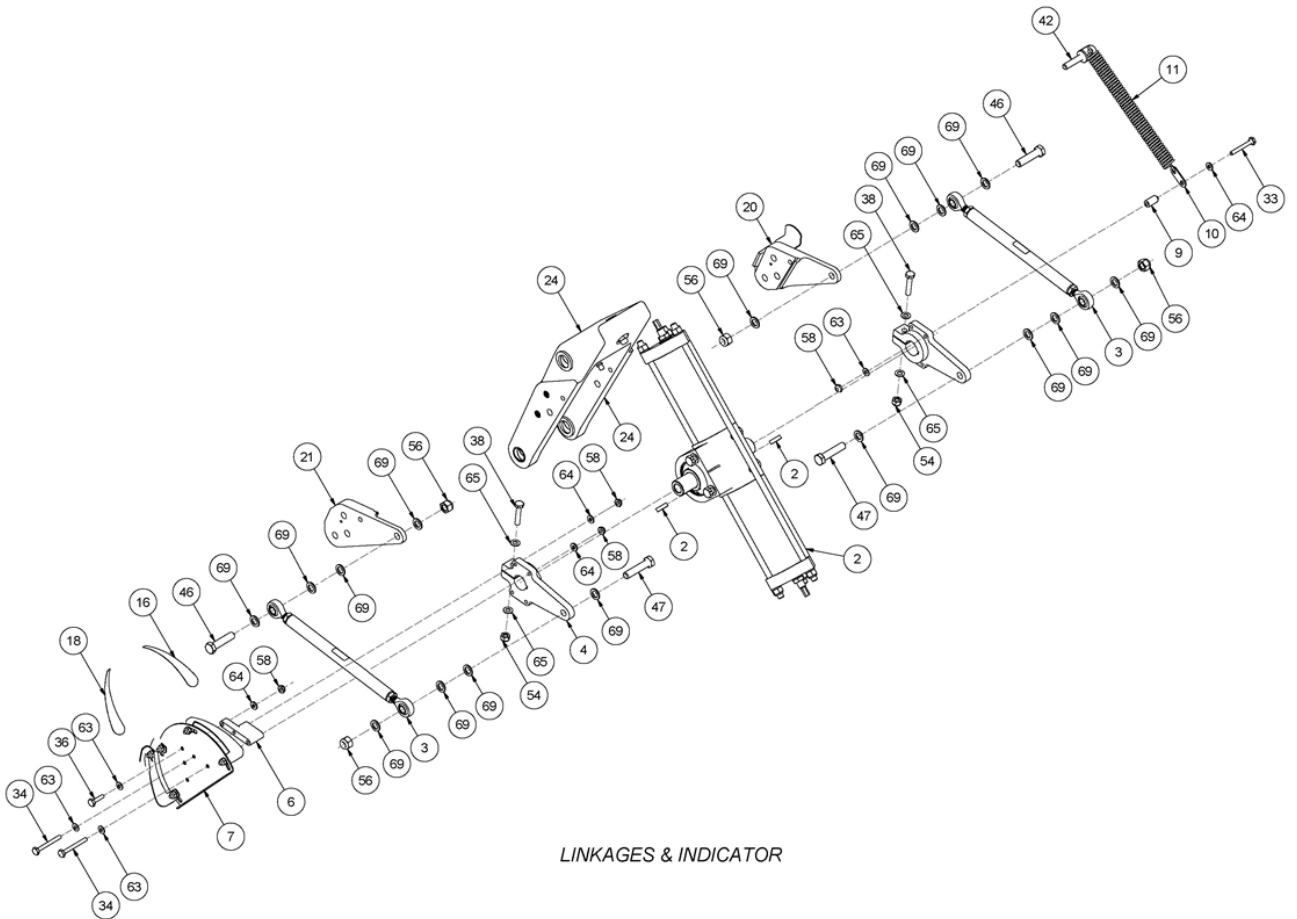
MAIN LANDING GEAR LEFT HAND ASSEMBLY	116
MAIN LANDING GEAR RIGHT HAND ASSEMBLY.....	121
MAIN GEAR TOP ARM ASSEMBLY	126
MAIN GEAR ROTARY ACTUATOR ASSEMBLY	127
OLEO SHOCK STRUT ASSEMBLY.....	129
MAIN GEAR GREASED WHEEL ASSEMBLY	131
MAIN GEAR AXLE GREASED	133
MAIN GEAR AXLE WITH OIL BATH ASSEMBLY.....	135
MAIN GEAR WITH OIL WHEEL BATH WHEELS ASSEMBLY	137
40-418B MODIFIED WHEEL NO CAP ASSEMBLY	138
OUTBOARD HUB CAP WITH DRAIN HOLE ASSEMBLY	139
INBOARD HUB CAP NO DRAIN HOLE ASSEMBLY	140
MAIN GEAR LEFT DOWN STOP ASSEMBLY.....	141
MAIN GEAR RIGHT DOWN STOP ASSEMBLY	142
NOSE GEAR ACTUATOR ASSEMBLY	143
NOSE BOX ASSEMBLY	145
NOSE GEAR WHEEL ASSEMBLY	147

MAIN LANDING GEAR LEFT HAND ASSEMBLY

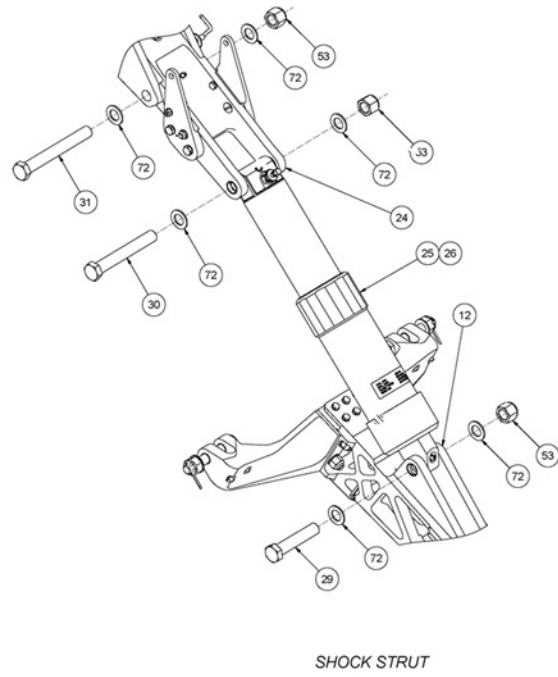
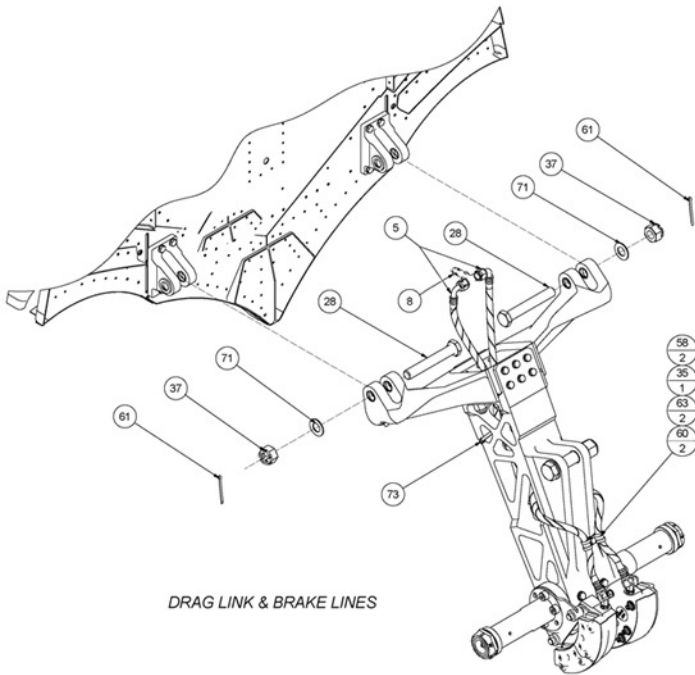




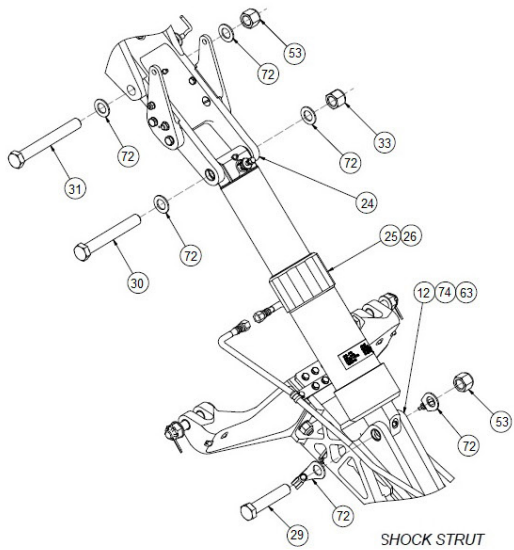
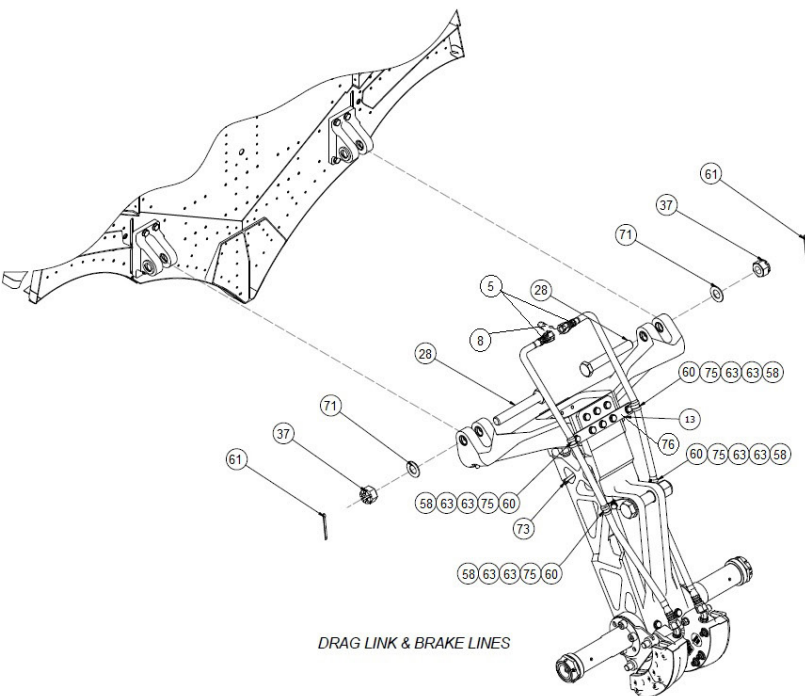
DOWN STOP



LINKAGES & INDICATOR



**SERIAL NUMBERS 87227 & 87228 AND PRIOR
(BEFORE SERVICE LETTER 200)**



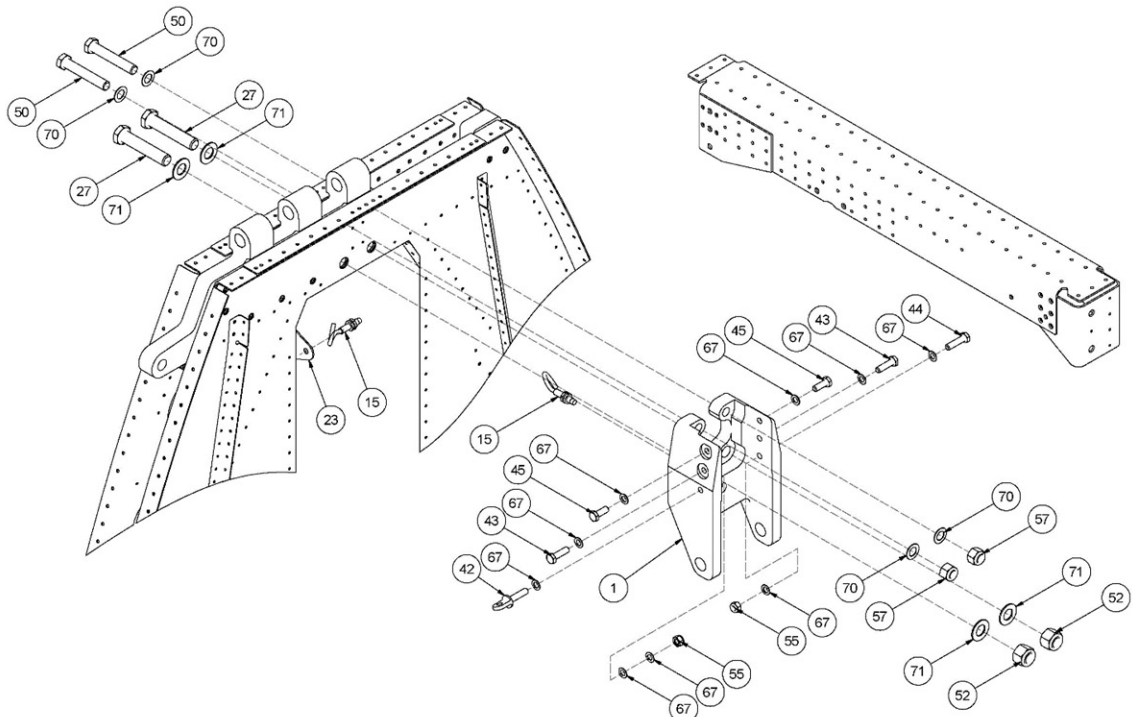
**SERIAL NUMBERS 87229 & 87230 AND LATER
(AFTER SERVICE LETTER 200)**

PARTS MANUAL
8750 FLOATS ON CESSNA 208 AND 208B

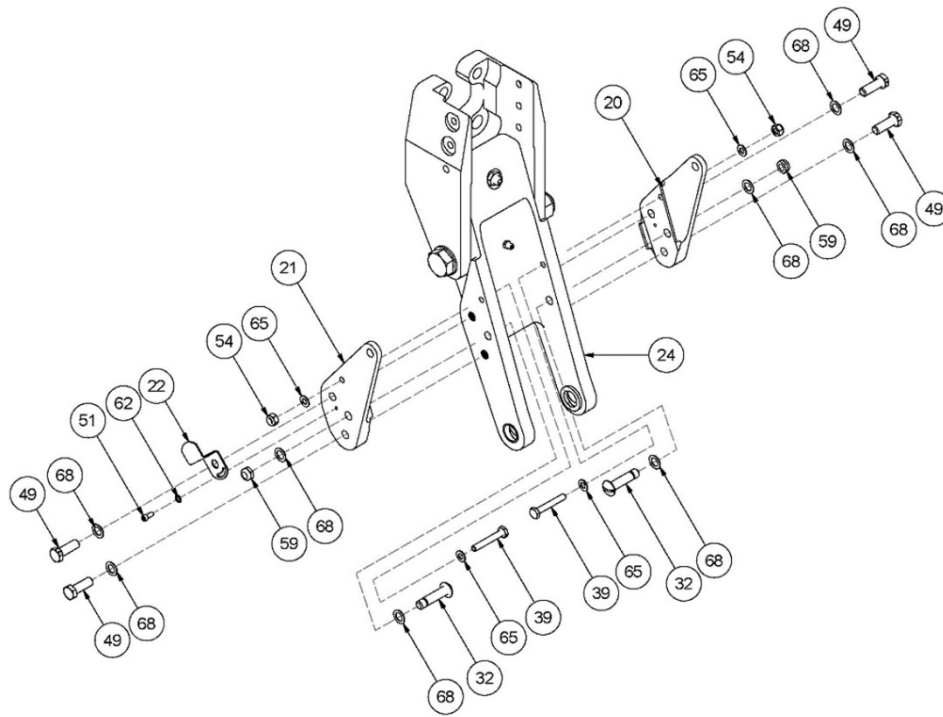
ITEM	QTY	PART NO.	PART DESCRIPTION
-	1	1005869-3	ASS'Y., MAIN LANDING GEAR L/H
1	1	1002597	MOUNT, TOP, MAIN GEAR, 7000
2	1	1003510	ASSY, ROTARY ACTUATOR, MAIN GEAR
3	2	1004015	ASSY, LINKAGE ROD, MAIN GEAR
4	2	1004016	ROTATION ARM, ACTUATOR, MAIN GEAR
5	2	1004089-33	BRAKE LINE
6	1	1004127	SPACER, GEAR INDICATOR
7	1	1004379	ASS'Y, GEAR INDICATOR, LEFT FLOAT
8	1	AN834-4D	BULKHEAD HYDRAULIC TEE FITTING
9	1	1004384	SPACER, MAIN GEAR SPRING
10	1	1004385	LINK, MAIN GEAR SPRING
11	1	1004389	SPRING, MAIN GEAR
12	1	1004396	MAIN GEAR ASSEMBLY, WITH WHEELS
13	1	1004457	ASS'Y, DOWN STOP, LH, MAIN GEAR
15	2	1004475	PROXIMITY SWITCH, KODIAK
16	1	1004578	PLACARD, DOWN GEAR INDICATOR, LH
18	1	1004580	PLACARD, UP GEAR INDICATOR, LH
20	1	1004927	BRACKET, ARM, TOP, MAIN GEAR, LEFT
21	1	1004928	BRACKET, ARM, TOP, MAIN GEAR, RIGHT
22	1	1004929	FLAG, PROXIMITY SENSOR, LEFT
23	1	1006345	MOUNT, PROXIMITY SENSOR
24	1	1006860	ASSEMBLY, TOP ARM, MAIN GEAR
25	1	1006863	ASSEMBLY, OLEO, SHOCK STRUT, 21.27 IN, 8750
27	2	AN10-30A	BOLT, 5/8-18, 2.1875 GRIP, UNDRILLED, STEEL
28	2	AN10-40	BOLT, AIRFRAME 5/8-18, 5/8 X 4
29	1	AN12-35A	BOLT, 3/4-16, 2.6875 GRIP, UNDRILLED, STEEL
30	1	AN12-53A	BOLT, 3/4-16, 4.4375 GRIP, UNDRILLED, STEEL
31	1	AN12-60A	BOLT, 3/4-16, 5.0625 GRIP, UNDRILLED, STEEL
32	2	AN26-25A	BOLT, CLEVIS
33	1	AN3-14A	BOLT, 10-32, 1.125 GRIP, UNDRILLED, STEEL
34	2	AN3-16A	BOLT, 10-32, 1.375 GRIP, UNDRILLED, STEEL
35	1	AN3-3A	BOLT, 10-32, 0.0625 GRIP, UNDRILLED, STEEL
36	1	AN3-6A	BOLT, 10-32, 0.375 GRIP, UNDRILLED, STEEL
37	2	AN310-10	NUT, PLAIN, CASTELLATED, 5/8-18 UNF
38	2	AN4-12A	BOLT, 1/4-28, 0.8125 GRIP, UNDRILLED, STEEL
39	2	AN4-15A	BOLT, 1/4-28, 1.1875 GRIP, UNDRILLED, STEEL
40	1	AN4-5A	BOLT, 1/4-28, 0.1875 GRIP, UNDRILLED, STEEL
41	1	AN4-6A	BOLT, 1/4-28, 0.3125 GRIP, UNDRILLED, STEEL
42	1	AN45-12A	EYE BOLT
43	2	AN5-10A	BOLT, 5/16-24, 0.5625 GRIP, UNDRILLED, STEEL
44	1	AN5-11A	BOLT, 5/16-24, 0.6875 GRIP, UNDRILLED, STEEL

ITEM	QTY	PART NO.	PART DESCRIPTION
45	2	AN5-6A	BOLT, 5/16-24, 0.3125 GRIP, UNDRILLED, STEEL
46	2	AN6-14A	BOLT, 3/8-24, .938 GRIP, UNDRILLED, STEEL
47	2	AN6-15A	BOLT, 3/8-24, 1.0625 GRIP, UNDRILLED, STEEL
48	2	AN6-21A	BOLT, 3/8-24, 1.5625 GRIP, UNDRILLED, STEEL
49	4	AN6H10A	BOLT, 3/8-24, 0.4375 GRIP, DRILLED HEAD, STEEL
50	2	AN8-27A	BOLT, 1/2-20, 2.1875 GRIP, UNDRILLED, STEEL
51	1	MS16997-31	SCREW, CAP, SOCKET HEAD
52	2	MS21044N10	NUT, LOCKING, REGULAR HEIGHT, 5/8-18 UNF
53	3	MS21044N12	NUT, LOCKING, REGULAR HEIGHT, 3/4-16 UNF
54	4	MS21044N4	NUT, LOCKING, REGULAR HEIGHT, 1/4-28 UNF
55	2	MS21044N5	NUT, LOCKING, REGULAR HEIGHT, 5/16-24 UNF
56	6	MS21044N6	NUT, LOCKING, REGULAR HEIGHT, 3/8-24 UNF
57	2	MS21044N8	NUT, LOCKING, REGULAR HEIGHT, 1/2-20 UNF
58	5	MS21083N3	NUT, LOCKING, LOW HEIGHT, 10-32 UNF
59	2	MS21083N5	NUT, LOCKING, LOW HEIGHT, 5/16-24 UNF
60	2	MS21919WDG6	CLAMP, LOOP TYPE, CUSHIONED, SUPPORT
61	2	MS24665-376	COTTER PIN
62	1	MS35333-38	STAR WASHER
63	6	NAS1149F0332P	WASHER, 0.203 ID, 0.032 THK, STEEL
64	4	NAS1149F0363P	WASHER, 0.203 ID, 0.063 THK, STEEL
65	10	NAS1149F0432P	WASHER, 0.265 ID, 0.032 THK, STEEL
66	2	NAS1149F0463P	WASHER, 0.265 ID, 0.063 THK, STEEL
67	9	NAS1149F0532P	WASHER, 0.328 ID, 0.032 THK, STEEL
68	8	NAS1149F0632P	WASHER, 0.39 ID, 0.032 THK, STEEL
69	20	NAS1149F0663P	WASHER, 0.39 ID, 0.063 THK, STEEL
70	6	NAS1149F0832P	WASHER, 0.515 ID, 0.032 THK, STEEL
71	6	NAS1149F1063P	WASHER, 0.64 ID, 0.063 THK, STEEL
72	6	NAS1149F1290P	WASHER, 0.765 ID, 0.09 THK, STEEL
73	1	PLT3S-M0	CABLE TIE, 11.5"
74	2	NAS1149D0363J	WASHER, 0.203 ID, 0.063 THK, ALUMINUM
75	4	AN3-5A	BOLT, 10-32, 0.25 GRIP, UNDRILLED, STEEL
76	1	1011121	STANDOFF, BRAKE LINE, 8750

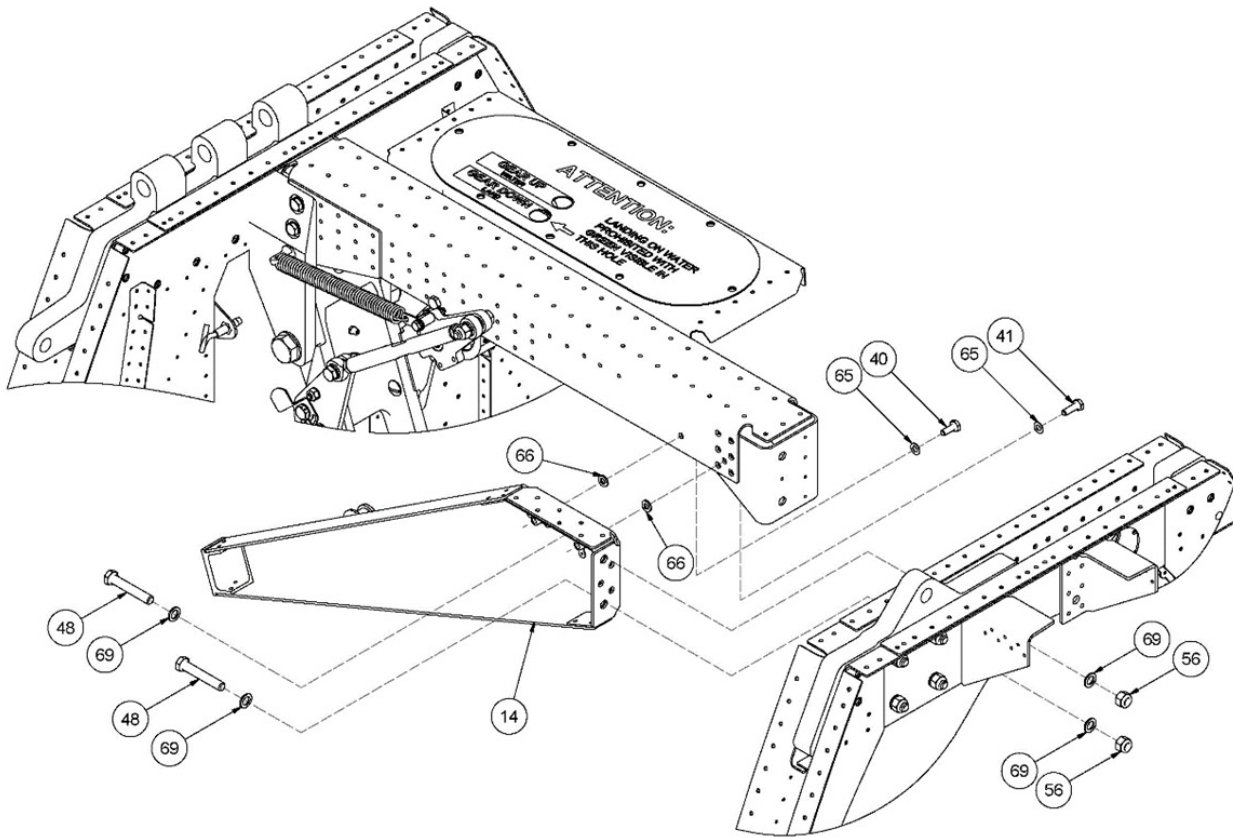
MAIN LANDING GEAR RIGHT HAND ASSEMBLY



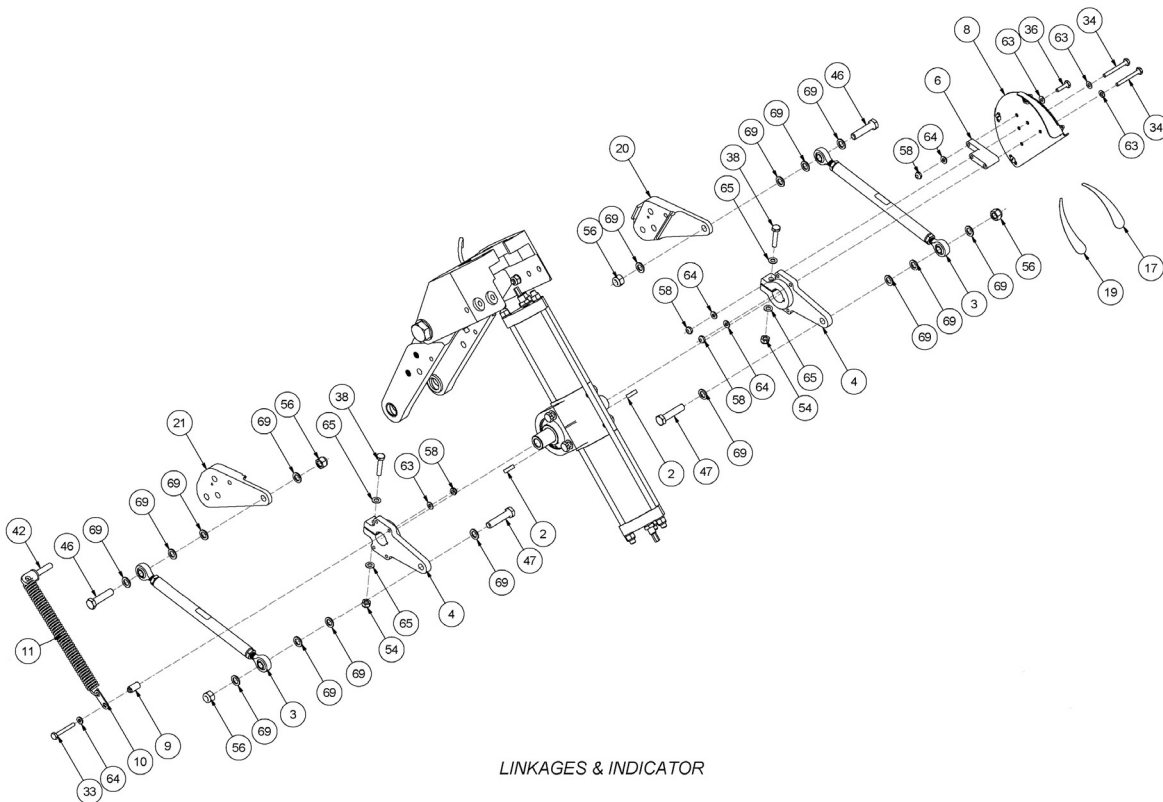
TOP FITTING & GEAR SWITCHES



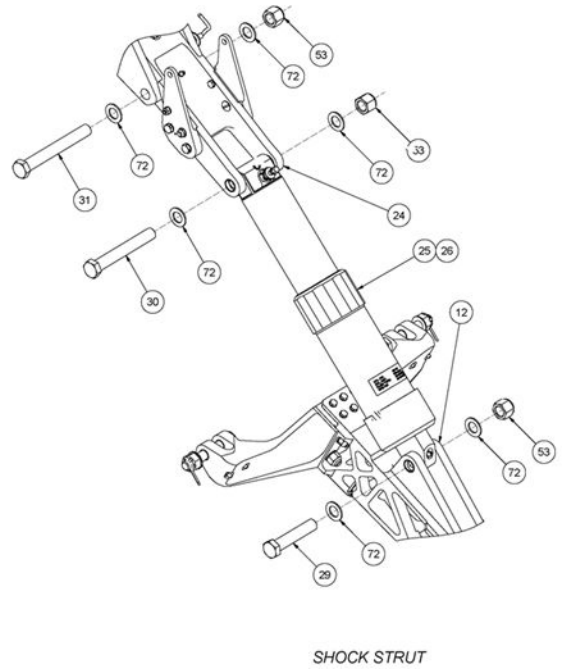
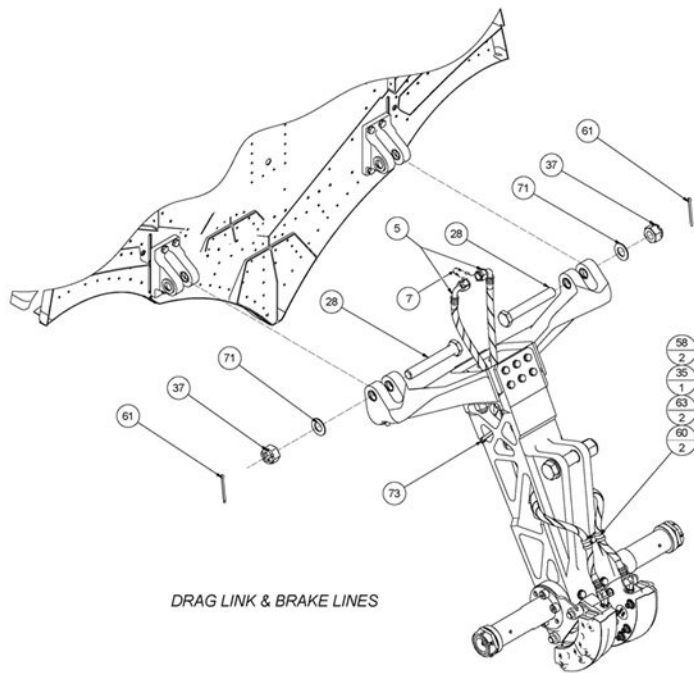
TOP ARM BRACKETS



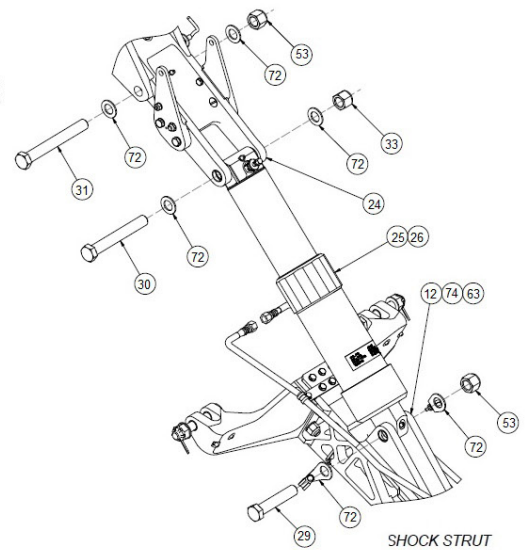
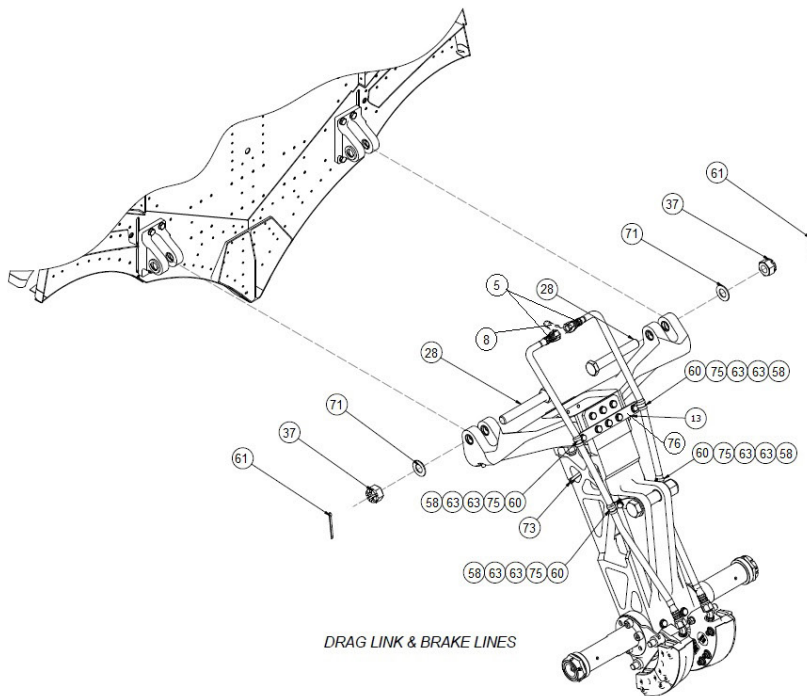
DOWN STOP



LINKAGES & INDICATOR



**SERIAL NUMBERS 87227 & 87228 AND PRIOR
(BEFORE SERVICE LETTER 200)**



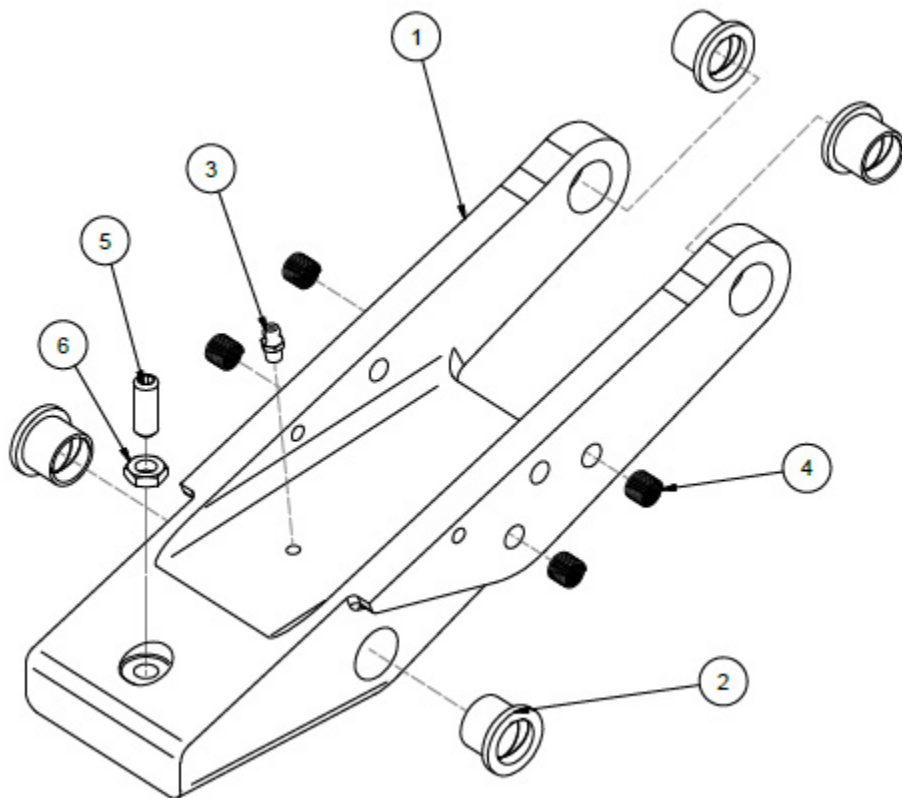
**SERIAL NUMBERS 87229 & 87230 AND LATER
(AFTER SERVICE LETTER 200)**

ITEM	QTY	PART NO.	PART DESCRIPTION
1	1	1002597	MOUNT, TOP, MAIN GEAR, 7000
2	1	1003510	ASSY, ROTARY ACTUATOR, MAIN GEAR
3	2	1004015	ASSY, LINKAGE ROD, MAIN GEAR
4	2	1004016	ROTATION ARM, ACTUATOR, MAIN GEAR
5	2	1004089-33	BRAKE LINE
6	1	1004127	SPACER, GEAR INDICATOR
7	1	AN834-4D	BULKHEAD HYDRAULIC TEE FITTING
8	1	1004380	ASS'Y, GEAR INDICATOR, RIGHT FLOAT
9	1	1004384	SPACER, MAIN GEAR SPRING
10	1	1004385	LINK, MAIN GEAR SPRING
11	1	1004389	SPRING, MAIN GEAR
12	1	1004396	MAIN GEAR ASSEMBLY, WITH WHEELS
14	1	1004458	ASS'Y, DOWN STOP, RH, MAIN GEAR
15	2	1004475	PROXIMITY SWITCH, KODIAK
17	1	1004579	PLACARD, DOWN GEAR INDICATOR, RH
19	1	1004581	PLACARD, UP GEAR INDICATOR, RH
20	1	1004927	BRACKET, ARM, TOP, MAIN GEAR, LEFT
21	1	1004928	BRACKET, ARM, TOP, MAIN GEAR, RIGHT
22	1	1004929	FLAG, PROXIMITY SENSOR, LEFT
23	1	1006345	MOUNT, PROXIMITY SENSOR
24	1	1006860	ASSEMBLY, TOP ARM, MAIN GEAR
25	1	1006863	ASSEMBLY, OLEO, SHOCK STRUT, 21.27 IN, 8750
27	2	AN10-30A	BOLT, 5/8-18, 2.1875 GRIP, UNDRILLED, STEEL
28	2	AN10-40	BOLT, AIRFRAME 5/8-18, 5/8 X 4
29	1	AN12-35A	BOLT, 3/4-16, 2.6875 GRIP, UNDRILLED, STEEL
30	1	AN12-53A	BOLT, 3/4-16, 4.4375 GRIP, UNDRILLED, STEEL
31	1	AN12-60A	BOLT, 3/4-16, 5.0625 GRIP, UNDRILLED, STEEL
32	2	AN26-25A	BOLT, CLEVIS
33	1	AN3-14A	BOLT, 10-32, 1.125 GRIP, UNDRILLED, STEEL
34	2	AN3-16A	BOLT, 10-32, 1.375 GRIP, UNDRILLED, STEEL
35	1	AN3-3A	BOLT, 10-32, 0.0625 GRIP, UNDRILLED, STEEL
36	1	AN3-6A	BOLT, 10-32, 0.375 GRIP, UNDRILLED, STEEL
37	2	AN310-10	NUT, PLAIN, CASTELLATED, 5/8-18 UNF
38	2	AN4-12A	BOLT, 1/4-28, 0.8125 GRIP, UNDRILLED, STEEL
39	2	AN4-15A	BOLT, 1/4-28, 1.1875 GRIP, UNDRILLED, STEEL
40	1	AN4-5A	BOLT, 1/4-28, 0.1875 GRIP, UNDRILLED, STEEL
41	1	AN4-6A	BOLT, 1/4-28, 0.3125 GRIP, UNDRILLED, STEEL
42	1	AN45-12A	EYE BOLT
43	2	AN5-10A	BOLT, 5/16-24, 0.5625 GRIP, UNDRILLED, STEEL
44	1	AN5-11A	BOLT, 5/16-24, 0.6875 GRIP, UNDRILLED, STEEL
45	2	AN5-6A	BOLT, 5/16-24, 0.3125 GRIP, UNDRILLED, STEEL

PARTS MANUAL
8750 FLOATS ON CESSNA 208 AND 208B

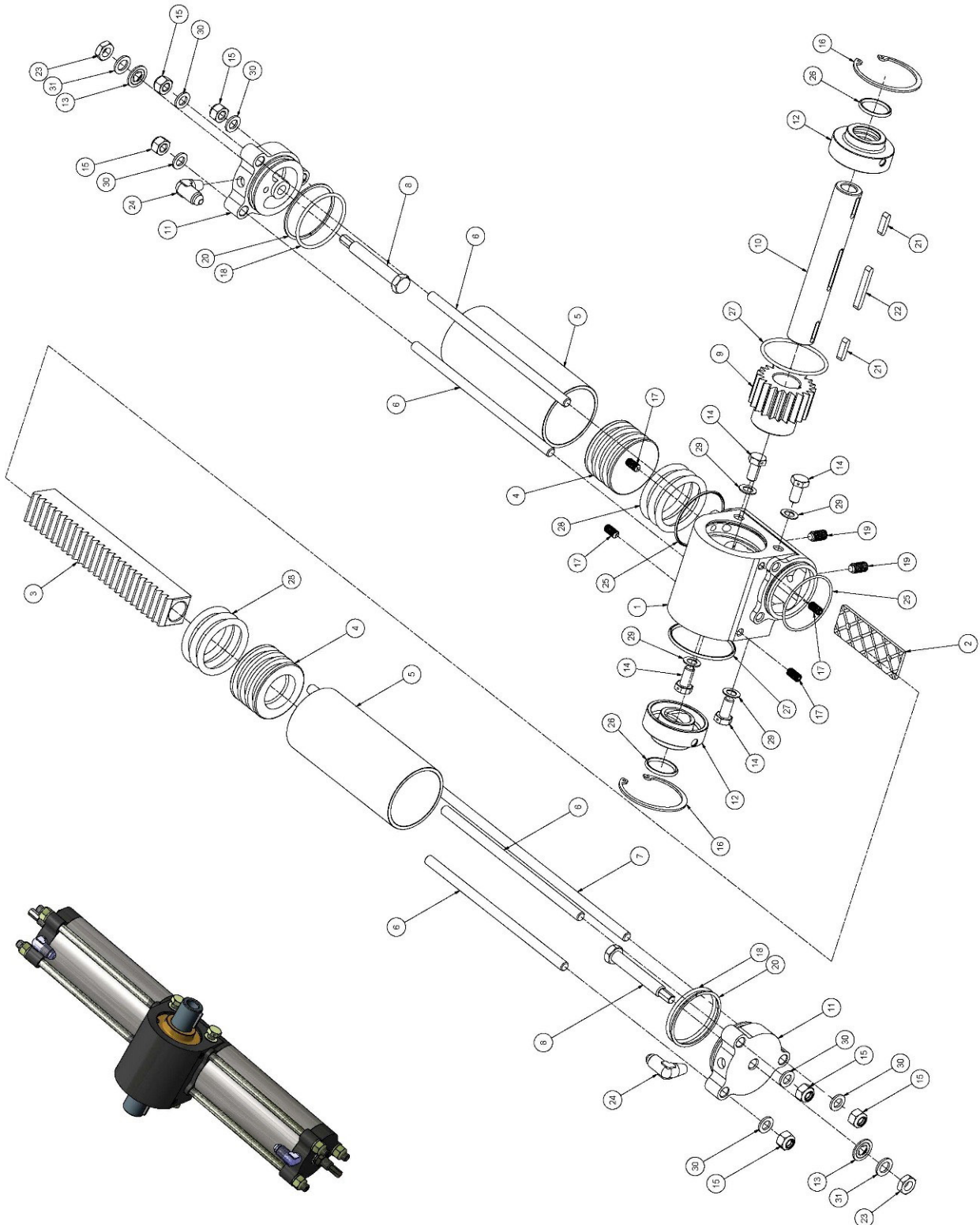
ITEM	QTY	PART NO.	PART DESCRIPTION
46	2	AN6-14A	BOLT, 3/8-24, .938 GRIP, UNDRILLED, STEEL
47	2	AN6-15A	BOLT, 3/8-24, 1.0625 GRIP, UNDRILLED, STEEL
48	2	AN6-21A	BOLT, 3/8-24, 1.5625 GRIP, UNDRILLED, STEEL
49	4	AN6H10A	BOLT, 3/8-24, 0.4375 GRIP, DRILLED HEAD, STEEL
50	2	AN8-27A	BOLT, 1/2-20, 2.1875 GRIP, UNDRILLED, STEEL
51	1	MS16997-31	SCREW, CAP, SOCKET HEAD
52	2	MS21044N10	NUT, LOCKING, REGULAR HEIGHT, 5/8-18 UNF
53	3	MS21044N12	NUT, LOCKING, REGULAR HEIGHT, 3/4-16 UNF
54	4	MS21044N4	NUT, LOCKING, REGULAR HEIGHT, 1/4-28 UNF
55	2	MS21044N5	NUT, LOCKING, REGULAR HEIGHT, 5/16-24 UNF
56	6	MS21044N6	NUT, LOCKING, REGULAR HEIGHT, 3/8-24 UNF
57	2	MS21044N8	NUT, LOCKING, REGULAR HEIGHT, 1/2-20 UNF
58	5	MS21083N3	NUT, LOCKING, LOW HEIGHT, 10-32 UNF
59	2	MS21083N5	NUT, LOCKING, LOW HEIGHT, 5/16-24 UNF
60	2	MS21919WDG6	CLAMP, LOOP TYPE, CUSHIONED, SUPPORT
61	2	MS24665-376	COTTER PIN
62	1	MS35333-38	STAR WASHER
63	6	NAS1149F0332P	WASHER, 0.203 ID, 0.032 THK, STEEL
64	4	NAS1149F0363P	WASHER, 0.203 ID, 0.063 THK, STEEL
65	10	NAS1149F0432P	WASHER, 0.265 ID, 0.032 THK, STEEL
66	2	NAS1149F0463P	WASHER, 0.265 ID, 0.063 THK, STEEL
67	9	NAS1149F0532P	WASHER, 0.328 ID, 0.032 THK, STEEL
68	8	NAS1149F0632P	WASHER, 0.39 ID, 0.032 THK, STEEL
69	20	NAS1149F0663P	WASHER, 0.39 ID, 0.063 THK, STEEL
70	6	NAS1149F0832P	WASHER, 0.515 ID, 0.032 THK, STEEL
71	6	NAS1149F1063P	WASHER, 0.64 ID, 0.063 THK, STEEL
72	6	NAS1149F1290P	WASHER, 0.765 ID, 0.09 THK, STEEL
73	1	PLT3S-M0	CABLE TIE, 11.5"
74	2	NAS1149D0363J	WASHER, 0.203 ID, 0.063 THK, ALUMINUM
75	4	AN3-5A	BOLT, 10-32, 0.25 GRIP, UNDRILLED, STEEL
76	1	1011121	STANDOFF, BRAKE LINE, 8750

MAIN GEAR TOP ARM ASSEMBLY



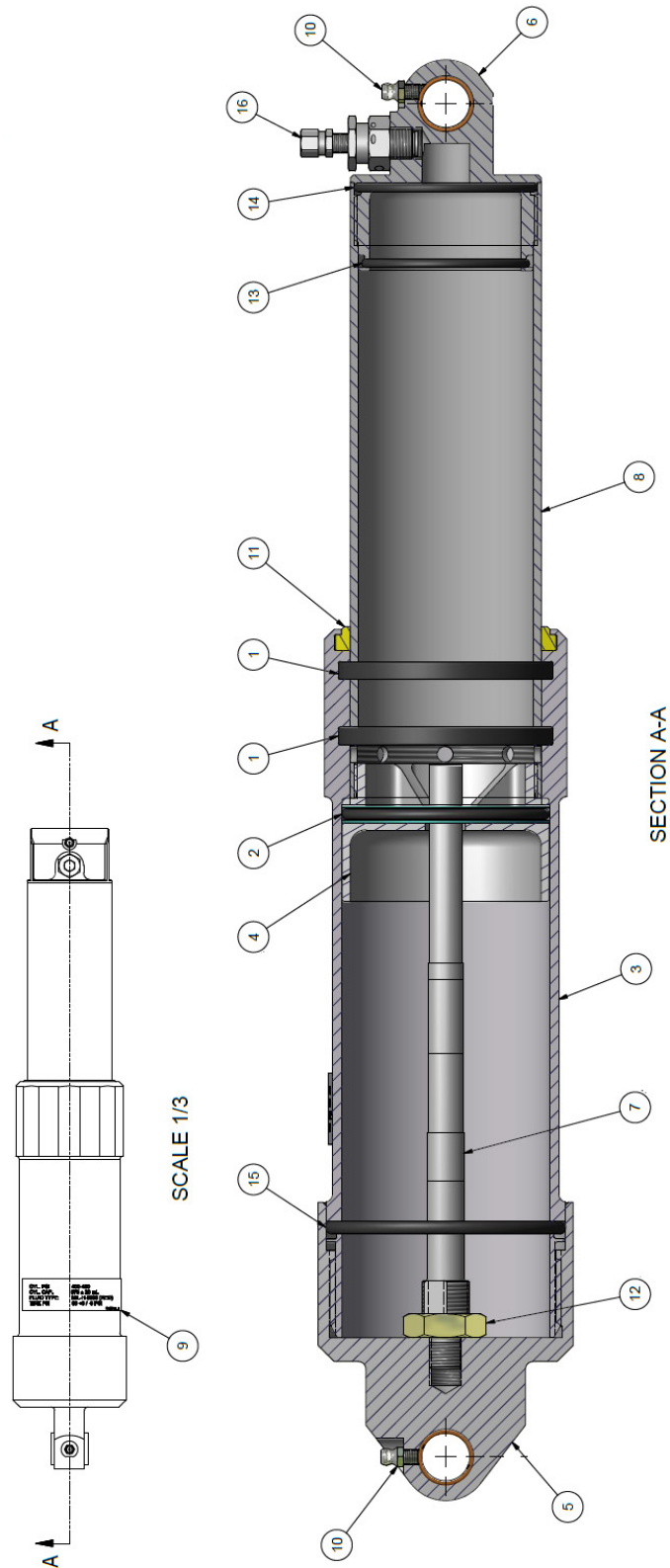
ITEM	QTY	PART NO.	PART DESCRIPTION
-	1	1006860	ASSY., TOP ARM, MAIN GEAR
1	1	1006859	ARM, TOP, MAIN GEAR
2	4	1003729-02	BUSHING, GROOVED, FLANGED
3	1	10995K41	COMMON GREASE ZERK
4	4	35916CN375	HELICOIL, THREAD INSERT
5	1	92311A642	SCREW, SET, SS
6	1	AN316C6R	NUT, JAM (STAINLESS)

MAIN GEAR ROTARY ACTUATOR ASSEMBLY



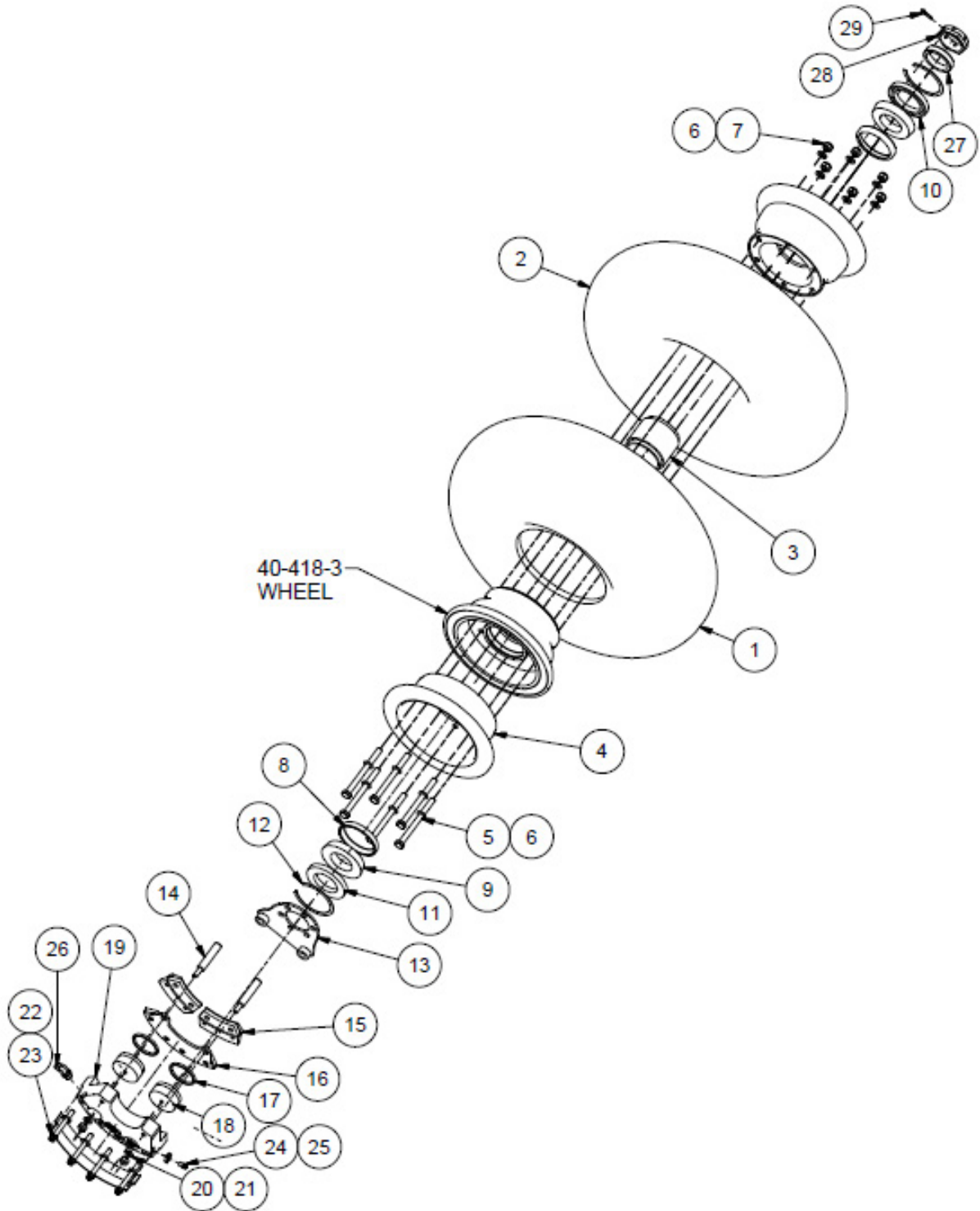
ITEM	QTY	PART NO.	PART DESCRIPTION
-	1	1003510	ASS'Y., ROTARY ACTUATOR, MAIN GEAR
1	1	1003501	HOUSING, ROTARY ACT, MAIN GR, KODIAK
2	1	1003502	WEAR STRIP, ROTARY ACTR, MAIN GR, KODIAK
3	1	1003505	RACK, MOD, ROTARY ACTR, MAIN GR, KODIAK
4	2	1003506	PISTON, ROTARY ACTUATOR, MAIN GEAR
5	2	1003507	CYLINDER, ROTARY ACTR, MAIN GR, KODIAK
6	4	1003509	TIE ROD, ROTARY ACTR, MAIN GR, KODIAK
7	1	1003511	ROD, LG, ROTARY ACTR, MAIN GR, KODIAK
8	2	1004297	ADJUSTMENT BOLT, 3/8-24 UNF X 2.25 LG , 18-8 SST,
9	1	1004362	SPUR GEAR, PDIA 1.75, BORE .875, STL
10	1	1008020	SHAFT, ROTARY ACTUATOR, MAIN GEAR
11	2	1008030	CYLINDER CAP, ROTARY ACTUATOR
12	2	1008433	BUSHING, ROTARY ACTUATOR, MAIN GEAR
13	2	750-0002-3/8	WASHER, THREDSEAL, 3/8 ID, STEEL
14	4	90121A999	BOLT, .312-18 UNC X .625 LG , W/HOLE IN HEAD, SST
15	6	90715A135	NUT, HEX, NYLON LOC, 5/16-18UNC, 316 SST
16	2	91580A246	SNAP RING, INTERN, 2.000 DIA, GRV WD .068, SST
17	4	92313A413	SET SCREW, 1/4-28 UNF X .50 LG 316 SS
18	2	9464K133	SEAL, O RING, 1.799 ID, 2.005 OD, BLK, VITON, 75 DURO
19	2	95235A543	SET SCREW, 5/16-18 UNC X .62 LG, DOG PNT, STL, BLK OXIDE
20	2	9560K529	BACKUP RING, 2.006 OD, 1.834 ID, .050 THK, EXTR HARD
21	2	98870A570	KEY, 3/16 X 3/16 X .75 LG, 1018 STL, OVERSIZED, ROUNDED
22	1	98870A575	KEY, 3/16 X 3/16 X 1.50 LG, 1018 STL, .002 OVER SIZED
23	2	AN316C6R	NUT, JAM (STAINLESS)
24	2	MS20822-4D	ELBOW
25	2	MS28775-032	"O" RING, HYDRAULIC
26	2	MS28775-118	"O" RING, HYDRAULIC
27	2	MS28775-136	"O" RING, HYDRAULIC
28	6	MS28775-326	"O" RING, HYDRAULIC
29	4	NAS1149C0532R	WASHER, 0.328 ID, 0.032 THK, STAINLESS STEEL
30	6	NAS1149C0563R	WASHER, 0.328 ID, 0.063 THK, STAINLESS STEEL
31	2	NAS1149C0663R	WASHER, 0.39 ID, 0.063 THK, STAINLESS STEEL

OLEO SHOCK STRUT ASSEMBLY



ITEM	QTY	PART NO.	PART DESCRIPTION
-	1	1006863	ASSEMBLY, OLEO, SHOCK STRUT, 21.27 IN, 8750
1	2	1001929	T-SEAL
2	1	1002028	PISTON, T-SEAL
3	1	1002567	CYLINDER, OUTER, OLEO, MAIN GEAR
4	1	1002569	PISTON, OLEO CYLINDER, MAIN GEAR
5	1	1004352	ASSEMBLY, END, BOTTOM, OLEO
6	1	1004353	ASSEMBLY, END, TOP, OLEO
7	1	1005489	PIN, METERING, OLEO, 8750
8	1	1006862	CYLINDER, INNER, SHOCK STRUT, 9.688 IN
9	1	1006864	PLACARD, HYDRAULIC CYLINDER, 8750
10	2	1095K41	COMMON GREASEZERK
11	1	8881910	WIPER (HALLITE INC)
12	1	AN316-12R	NUT, JAM, 3/4-16 UNF, RIGHT, STEEL
13	1	MS28775-229	"O" RING, HYDRAULIC
14	1	MS28775-231	"O" RING, HYDRAULIC
15	1	MS28775-340	"O" RING, HYDRAULIC
16	1	MS28889-2	VALVE

MAIN GEAR GREASED WHEEL ASSEMBLY



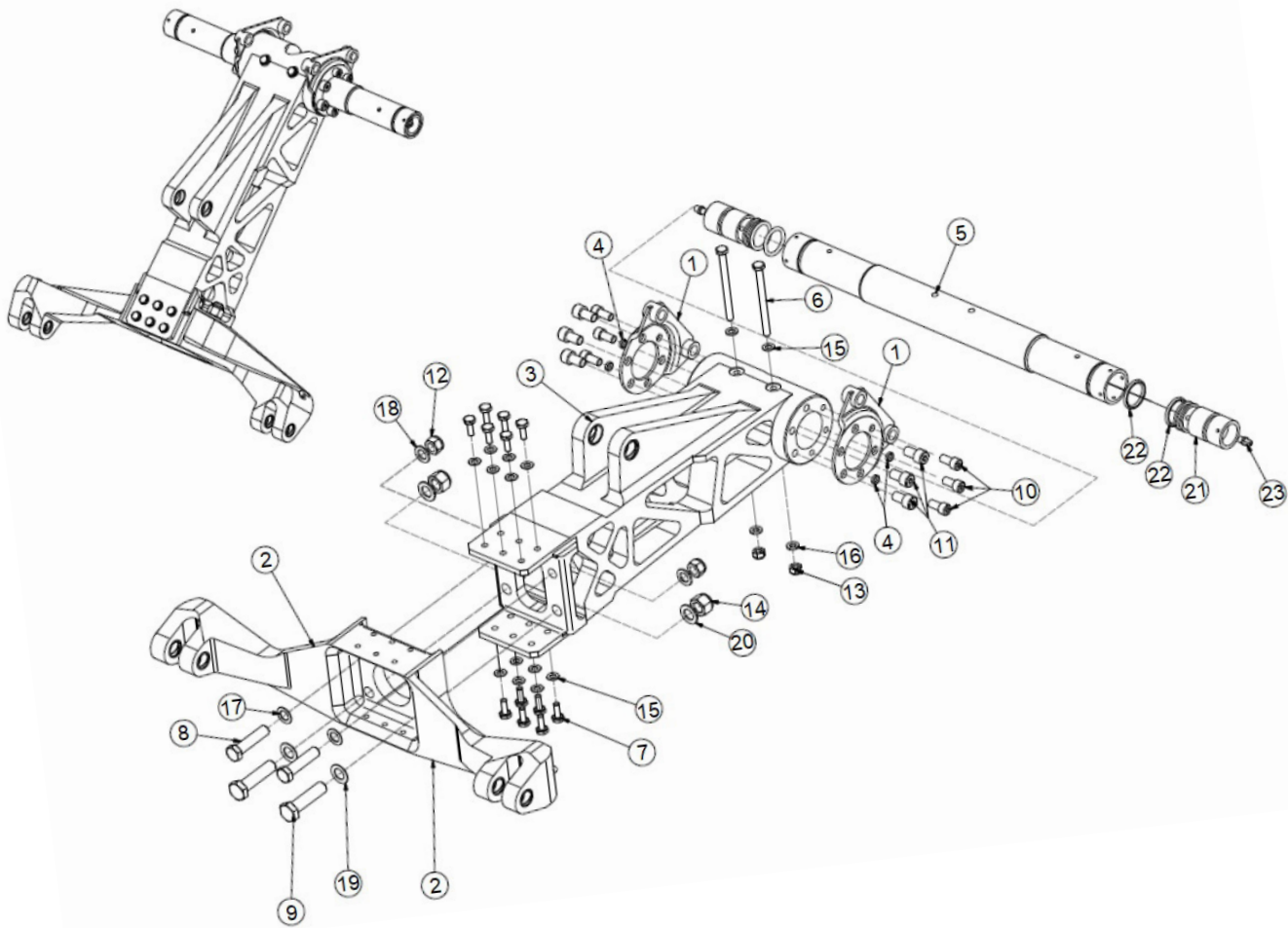
ITEM	QTY	PART NO.	PART DESCRIPTION
-	-	8A04000-031	MAIN WHEEL ASSEMBLY
-	-	40-418-3	WHEEL ASS'Y. (NAMEPLATE READS "40-418B", INCLUDES ITEMS 3-12)
	1	40-418 (ALT)	WHEEL ASS'Y. (ALTERNATE, INCLUDES ITEMS 3-12)
1	1	AA1E6*	TIRE, 6.00 X 6-8
2	1	XA1AD*	TUBE, 6.00 X 6
3	1	067-14700	GREASE RTNR
4	1	164-24501	DISC, BRAKE, CHROME (ORIG EQUIP FOR 40-418-3)
	1	164-24500	DISC, BRAKE, NON-CHROME (ORIG EQUIP FOR 40-418)
5	6	AN5-35A	BOLT, 5/16-24 THREAD, 3-3/16" GRIP, 3-23/32" LENGTH
6	12	NAS1149D0563J	WASHER FLAT, SCREW SIZE 5/16 OD.562 ID.328 THK.063 ALUM
7	6	MS21042-5	NUT, SELFLOCKING, REDUCED HEXAGON, 5/16-24 THREAD
8	2	13836	BEARING CUP, NON-CHROME (ORIG EQUIP FOR 40-418-3)
	2	13836CP	BEARING CUP, CHROME (ORIG EQUIP FOR 40-418)
9	2	13889	BEARING CONE, NON-CHROME (ORIG EQUIP FOR 40-418-3)
	2	13889CP	BEARING CONE, CHROME (ORIG EQUIP FOR 40-418)
10	1	472439	SEAL, OUTBOARD, (#50 HOLE REQUIRED BEFORE INST.)
11	1	473232	SEAL, INBOARD
12	2	155-14300	SNAP RING
-	-	6A04000-104	BRAKE ASSEMBLY, RH
-	-	6A04000-105	BRAKE ASSEMBLY, LH
-	-	30-241	BRAKE ASSEMBLY COMPLETE
13	1	075-20700	TORQUE PLATE
14	2	069-03100	ANCHOR BOLT
15	2	074-02900	BACK PLATE ASSEMBLY
	1	066-10500	BRAKE LINING
	2	105-00200	RIVET, BRAKE PAD
16	1	073-04200	PRESSURE PLATE ASSEMBLY
	2	066-10500	BRAKE LINING
	4	105-00200	RIVET, BRAKE PAD
17	2	MS28775-222	O-RING
18	2	062-10700	BRAKE PISTON
19	1	091-21600	CYLINDER
20	2	NAS1149F0463P	WASHER, SCREW SIZE 1/4 OD.500 ID.265 THK.063
21	2	MS21044N4	NUT, HEX LOCKING NYLON INSERT STEEL CAD 2, 1/4-28
22	4	MS20002C4	WASHER, COUNTER SUNK
23	4	MS21250H04026	BOLT, EXTERNAL WRENCHING. 10-32 UNF 3A
24	1	079-00300	SCREW BLEEDER
25	1	081-00200	SEAT BLEEDER
26	1	104-04700	FITTING
	1	MS28775-012	O-RING

PARTS MANUAL
8750 FLOATS ON CESSNA 208 AND 208B

ITEM	QTY	PART NO.	PART DESCRIPTION
27	1	6A04093-002	AXLE SPACER, MAIN WHEEL
28	1	MS21025-24	NUT, AXLE
29	1	MS24665-349	COTTER PIN

* Any alternate tire (tube type) which is TSO-approved, matches the listed tire's dimensions, and meets its speed/load/ply ratings may be used. Equivalent tubes may also be used.

MAIN GEAR AXLE GREASED

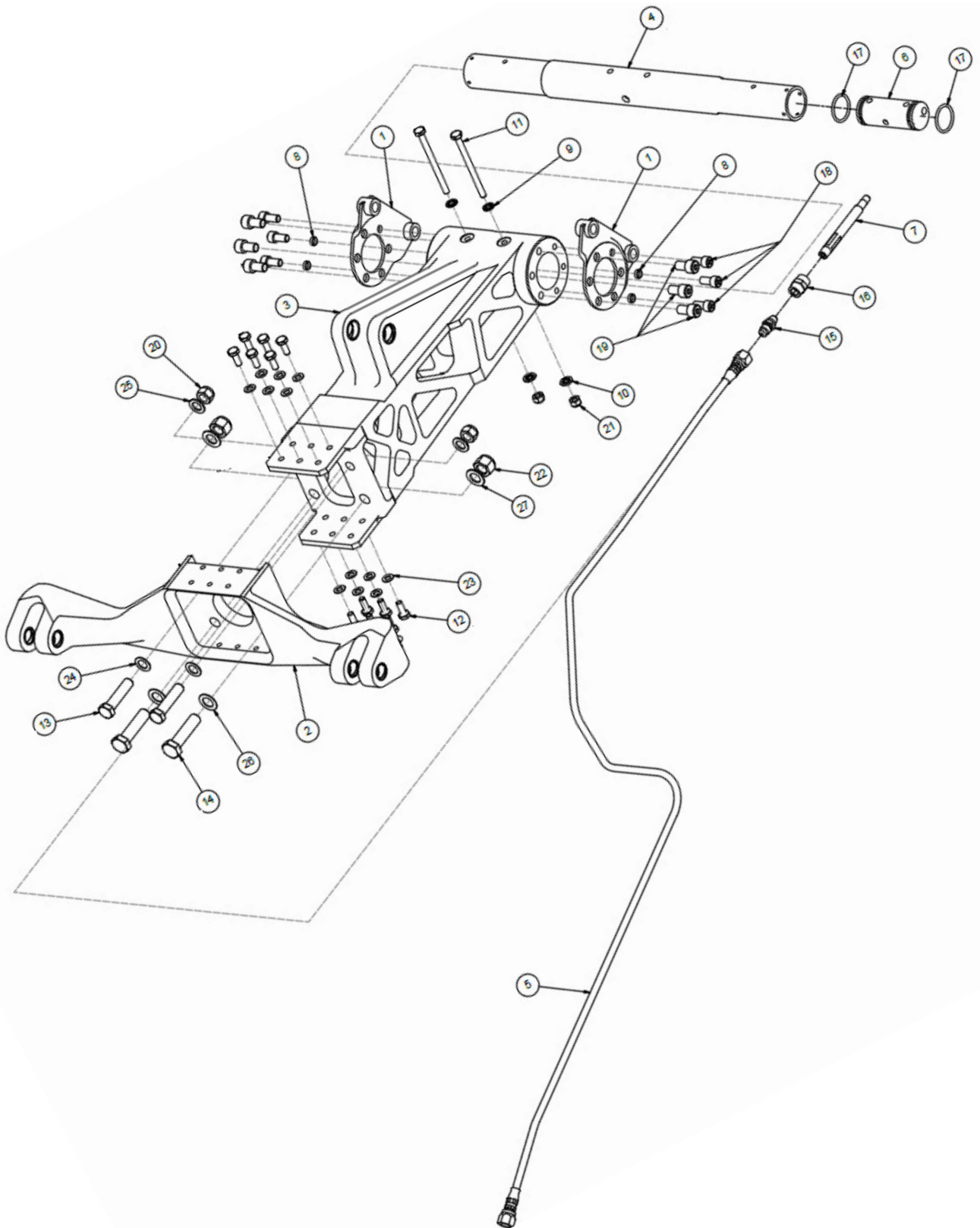


PARTS MANUAL
8750 FLOATS ON CESSNA 208 AND 208B

ITEM	QTY	PART NO.	PART DESCRIPTION
-	1	1004395	MAIN GEAR ASSY W/O WHEELS
1	2	075-20700	TORQUE PLATE
2	1	1002595	ASSEMBLY, PIVOT LINK, MAIN GEAR
3	1	1004471	ASSEMBLY, DRAG LINK, MAIN GEAR
4	4	30A04523-002	BUSHING, TORQUE PLATE
5	1	6A04510-001	AXLE, MAIN WHEEL
6	2	AN4-33A	BOLT, 1/4-28, 2.9375 GRIP, UNDRILLED, STEEL
7	12	AN4-5A	BOLT, 1/4-28, 0.1875 GRIP, UNDRILLED, STEEL
8	2	AN7-16A	BOLT, 7/16-20, 1.1875 GRIP, UNDRILLED, STEEL
9	2	AN8-17A	BOLT, 1/2-20, 1.1875 GRIP, UNDRILLED, STEEL
10	6	MS16997-77	SOCKET HEAD CAP SCREW
11	6	MS16997-96	SOCKET HEAD CAP SCREW
12	2	MS20365-720A	NUT, SELF LOCKING
13	2	MS21044N4	NUT, LOCKING, REGULAR HEIGHT, 1/4-28 UNF
14	2	MS21044N8	NUT, LOCKING, REGULAR HEIGHT, 1/2-20 UNF
15	14	NAS1149F0432P	WASHER, 0.265 ID, 0.032 THK, STEEL
16	2	NAS1149F0463P	WASHER, 0.265 ID, 0.063 THK, STEEL
17	2	NAS1149F0732P	WASHER, 0.453 ID, 0.032 THK, STEEL
18	2	NAS1149F0763P	WASHER, 0.453 ID, 0.063 THK, STEEL
19	2	NAS1149F0832P	WASHER, 0.515 ID, 0.032 THK, STEEL
20	2	NAS1149F0863P	WASHER, CARBON STEEL, TO FIT DIA 1/2"
21	2	6A04263-003 *	GREASE INSERT-MAIN AXLE (SOLD SEPARTATELY)
22	4	MS28775-214 *	O RING, DIA 0.984 (SOLD SEPARTATELY)
23	2	1095K41 *	FITTING, GREASE, 1/2" LENGTH (SOLD SEPARTATELY)

*Not included in Assembly 1004395.

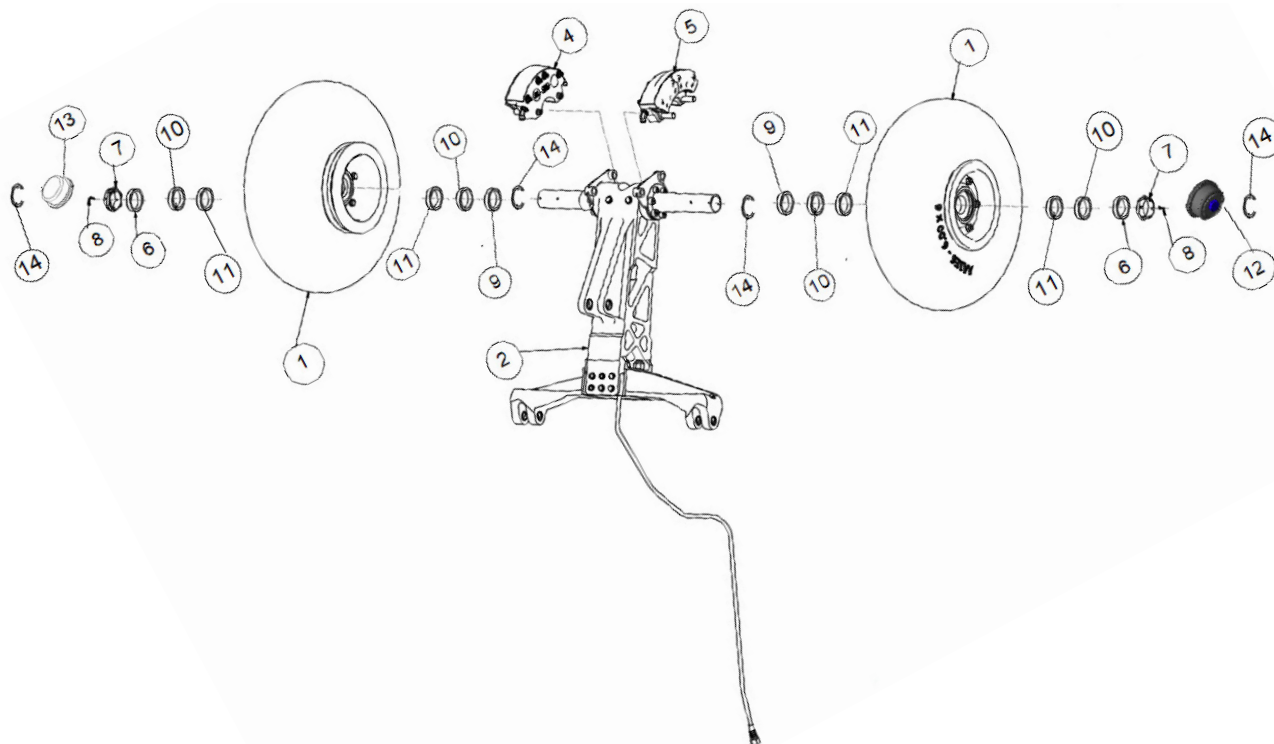
MAIN GEAR AXLE WITH OIL BATH ASSEMBLY



PARTS MANUAL
8750 FLOATS ON CESSNA 208 AND 208B

ITEM	QTY	PART NO.	PART DESCRIPTION
-	1	1008981	OIL BATH MAIN GEAR ASSEMBLY WITHOUT WHEELS
1	2	075-20700	TORQUE PLATE
2	1	1002595	ASSEMBLY, PIVOT LINK, MAIN GEAR
3	1	1004471	ASSEMBLY, DRAG LINK, MAIN GEAR
4	1	1008980	AXLE, MAIN GEAR, OIL BATH WHEEL
5	1	1009152	ASSEMBLY, HYDRAULIC HOSE
6	1	1009930	PLUG, AXLE, MAIN GEAR, OILBATH WHEEL
7	1	1009931	FILL STEM, AXLE, MAIN GEAR, OILBATH WHEEL
8	4	30A04523-002	BUSHING, TORQUE PLATE
9	2	NAS1523-4Y	WASHER, STAT-O-SEAL
10	2	750-0030-1/4	WASHER, PARKER THREDSEAL
11	2	AN4-33A	BOLT, 1/4-28, 2.9375 GRIP, UNDRILLED, STEEL
12	12	AN4-5A	BOLT, 1/4-28, 0.1875 GRIP, UNDRILLED, STEEL
13	2	AN7-16A	BOLT, 7/16-20, 1.1875 GRIP, UNDRILLED, STEEL
14	2	AN8-17A	BOLT, 1/2-20, 1.1875 GRIP, UNDRILLED, STEEL
15	1	AN816-4D	NIPPLE, FLARED TUBE AND PIPE THREAD
16	1	AN910-1D	COUPLING, PIPE THREAD
17	2	AS568-121	O-RING, 1.049" ID
18	6	MS16997-77	SOCKET HEAD CAP SCREW
19	6	MS16997-96	SOCKET HEAD CAP SCREW
20	2	MS20365-720A	NUT, SELF LOCKING
21	2	MS21044N4	NUT, LOCKING, REGULAR HEIGHT, 1/4-28 UNF
22	2	MS21044N8	NUT, LOCKING, REGULAR HEIGHT, 1/2-20 UNF
23	12	NAS1149F0432P	WASHER, 0.265 ID, 0.032 THK, STEEL
24	2	NAS1149F0732P	WASHER, 0.453 ID, 0.032 THK, STEEL
25	2	NAS1149F0763P	WASHER, 0.453 ID, 0.063 THK, STEEL
26	2	NAS1149F0832P	WASHER, 0.515 ID, 0.032 THK, STEEL
27	2	NAS1149F0863P	WASHER, 0.515 ID, 0.063 THK, STEEL

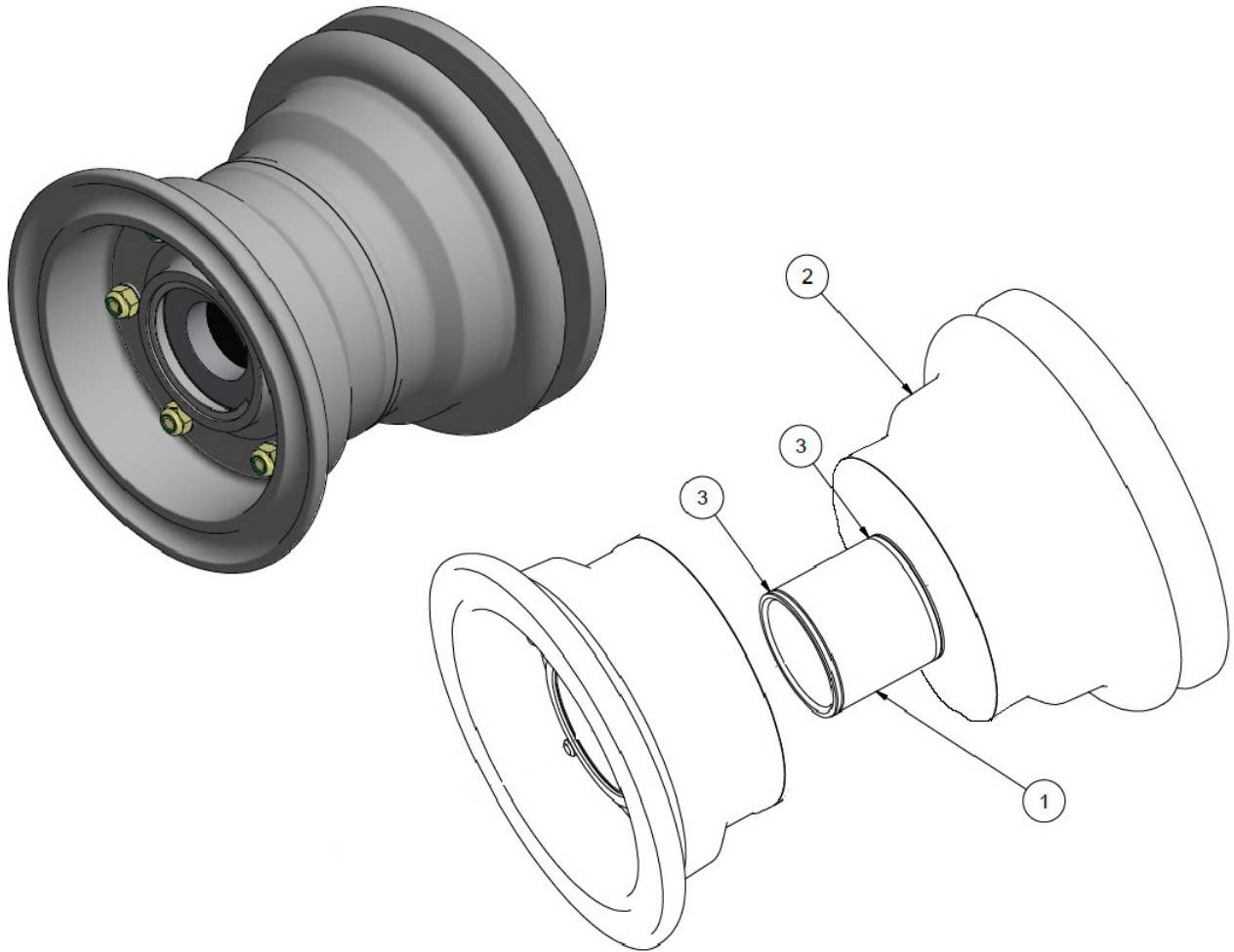
MAIN GEAR WITH OIL WHEEL BATH WHEELS ASSEMBLY



ITEM	QTY	PART NO.	PART DESCRIPTION
-	1	1009119	MAIN GEAR ASSY, WITH OIL BATH WHEELS
1	2	1008979	ASSEMBLY, WHEEL AND TIRE, NO CAP
	1	1008978	ASSEMBLY, 40-418B WHEEL, MODIFIED, NO CAP
	1	AA1E6*	TIRE, 6.00 X 6-8, TYPE 3
	1	XA1AD*	TUBE, 6.00 X X6
2	1	1008981	OIL BATH MAIN GEAR ASSY W/O WHEELS
4	1	6A04000-104	ASSEMBLY, BRAKE CALIPER, RH
5	1	6A04000-105	ASSEMBLY, BRAKE CALIPER, LH
6	2	6A04093-002	AXLE SPACER - MAIN WHEEL
7	2	MS21025-24	NUT, AXLE
8	2	MS24665-349	COTTER PIN
9	2	473232	SEAL, NATIONAL OIL 2.623 OD X 1.625 ID X .312 W (SOLD SEPARATELY)
10	4	13889	BEARING CONE, TIMKEN (SOLD SEPARATELY)
11	4	13836	BEARING CUP, TIMKEN (SOLD SEPARATELY)
12	1	1008984	OUTBOARD, ASSEMBLY, HUB CAP, WITH DRAIN HOLE (SEE ASS'Y BREAKDOWN) (SOLD SEPARATELY)
13	1	1008985	INBOARD, ASSEMBLY, HUB CAP, NO DRAIN HOLE (SEE ASS'Y BREAKDOWN) (SOLD SEPARATELY)
14	4	155-143	SNAP RING (SOLD SEPARATELY)

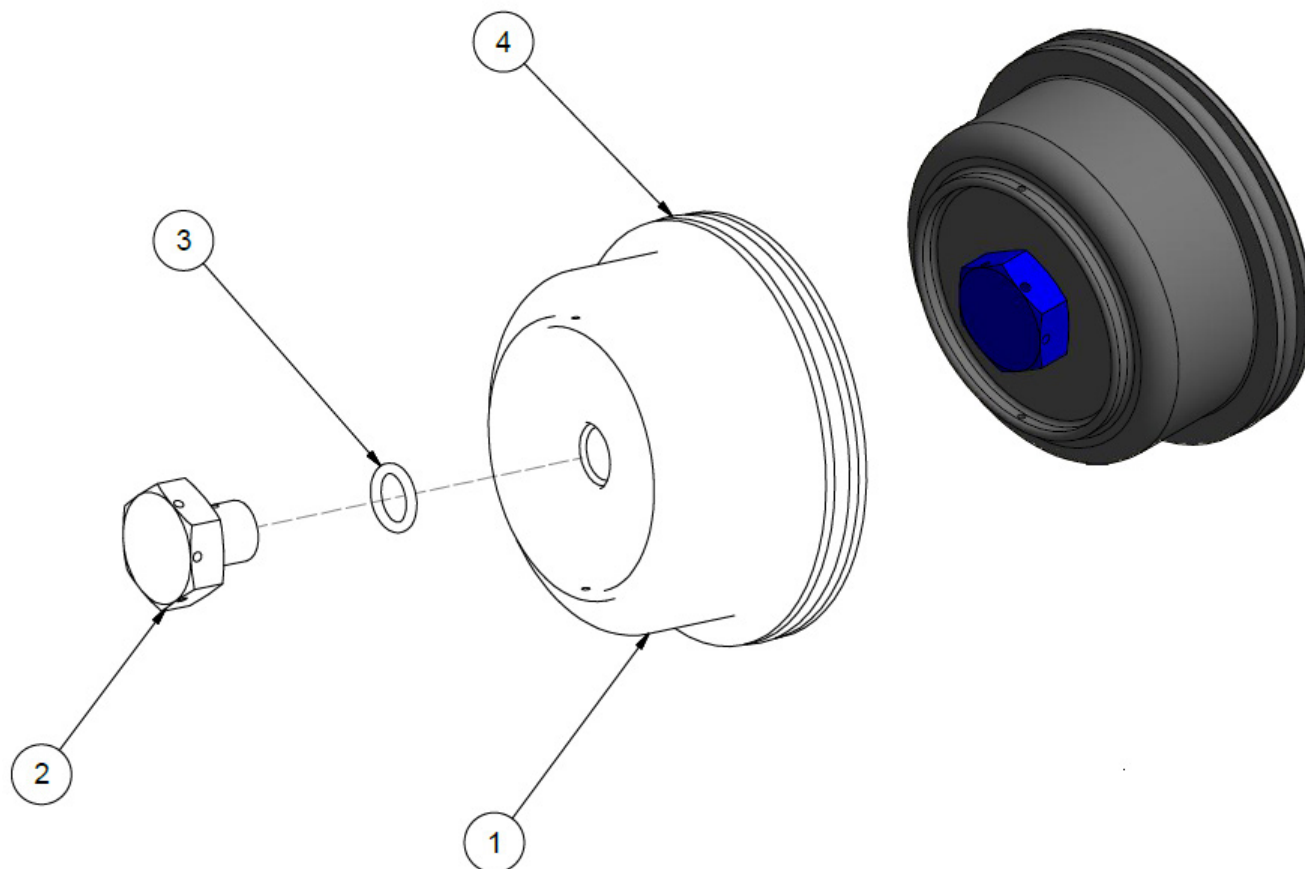
* Any alternate tire (tube type) which is TSO-approved, matches the listed tire's dimensions, and meets its speed/load/ply ratings may be used. Equivalent tubes may also be used.

40-418B MODIFIED WHEEL NO CAP ASSEMBLY



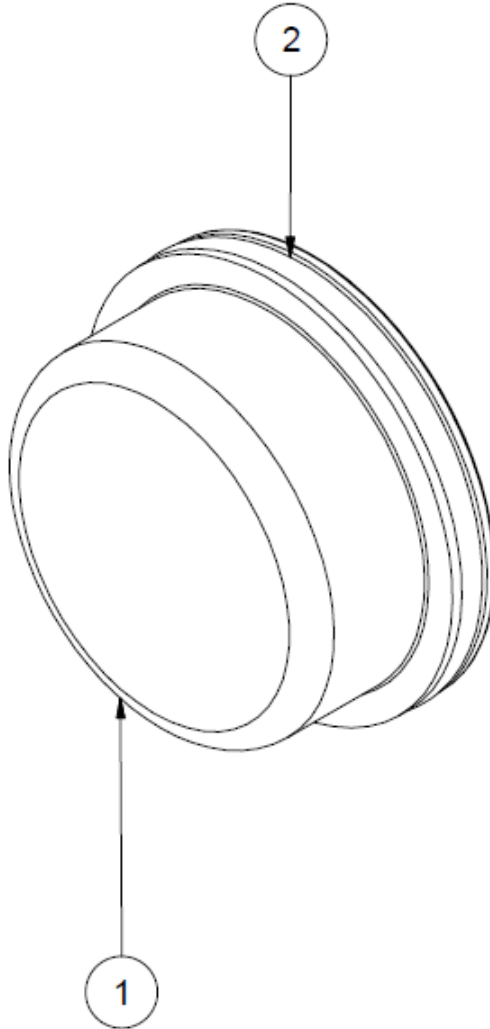
ITEM	QTY	PART NO.	PART DESCRIPTION
-	1	1008978	ASSEMBLY, 40-418B WHEEL, MODIFIED, NO CAP
1	1	1008977	INNER WHEEL RETAINER, OIL BATH WHEEL
2	1	40-418-3	ASSEMBLY, WHEEL, CLEVELAND (NAMEPLATE READS "40-418B", REMOVE GREASE AND OUTBOARD SEAL)
	1	40-418 (ALT)	ASSEMBLY, WHEEL, CLEVELAND (ALTERNATE, NAMEPLATE READS "40-418", REMOVE GREASE AND OUTBOARD SEAL)
3	2	AS568A-139	O-RING, 2.175" ID

OUTBOARD HUB CAP WITH DRAIN HOLE ASSEMBLY



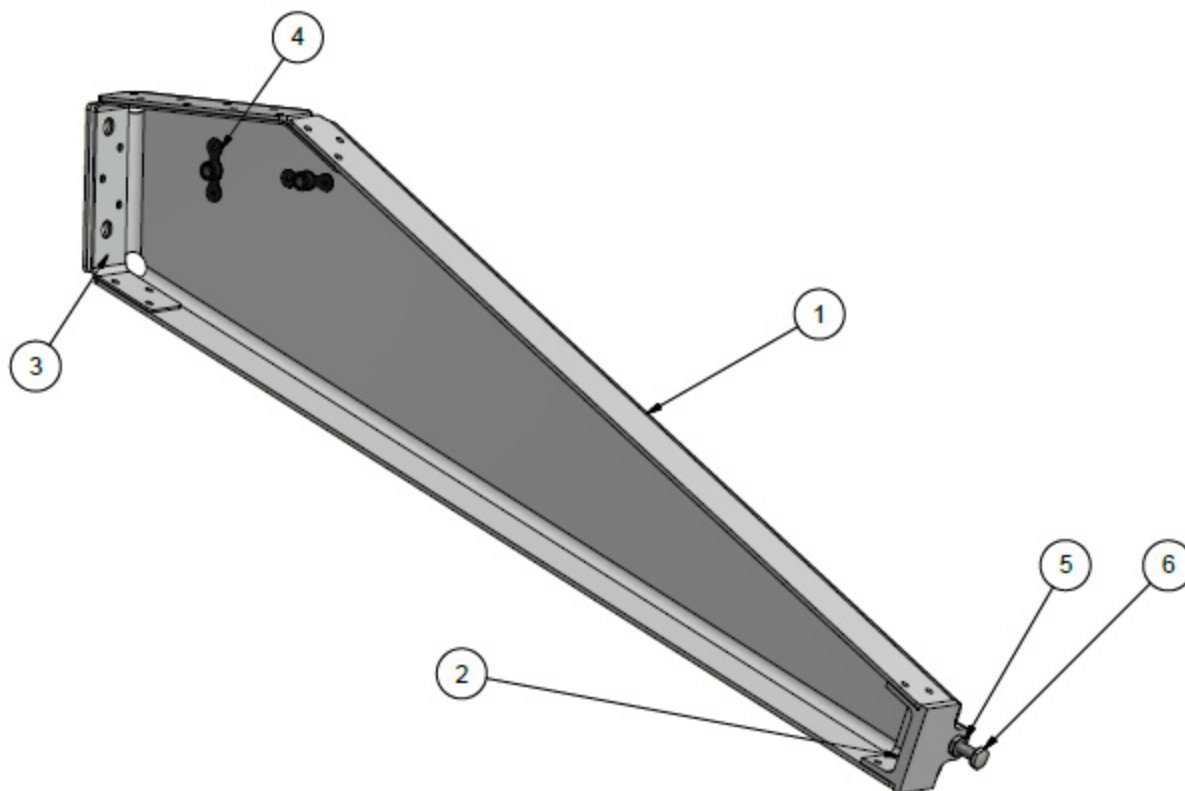
ITEM	QTY	PART NO.	PART DESCRIPTION
-	1	1008984	ASSEMBLY, HUB CAP, WITH DRAIN HOLE
1	1	1008975	HUB CAP WITH HOLE, OIL BATH WHEEL
2	1	AN814-3DL	PLUG
3	1	AS568-903	O-RING, 0.301" ID
4	1	AS568A-229	O-RING, 2.359" ID

INBOARD HUB CAP NO DRAIN HOLE ASSEMBLY



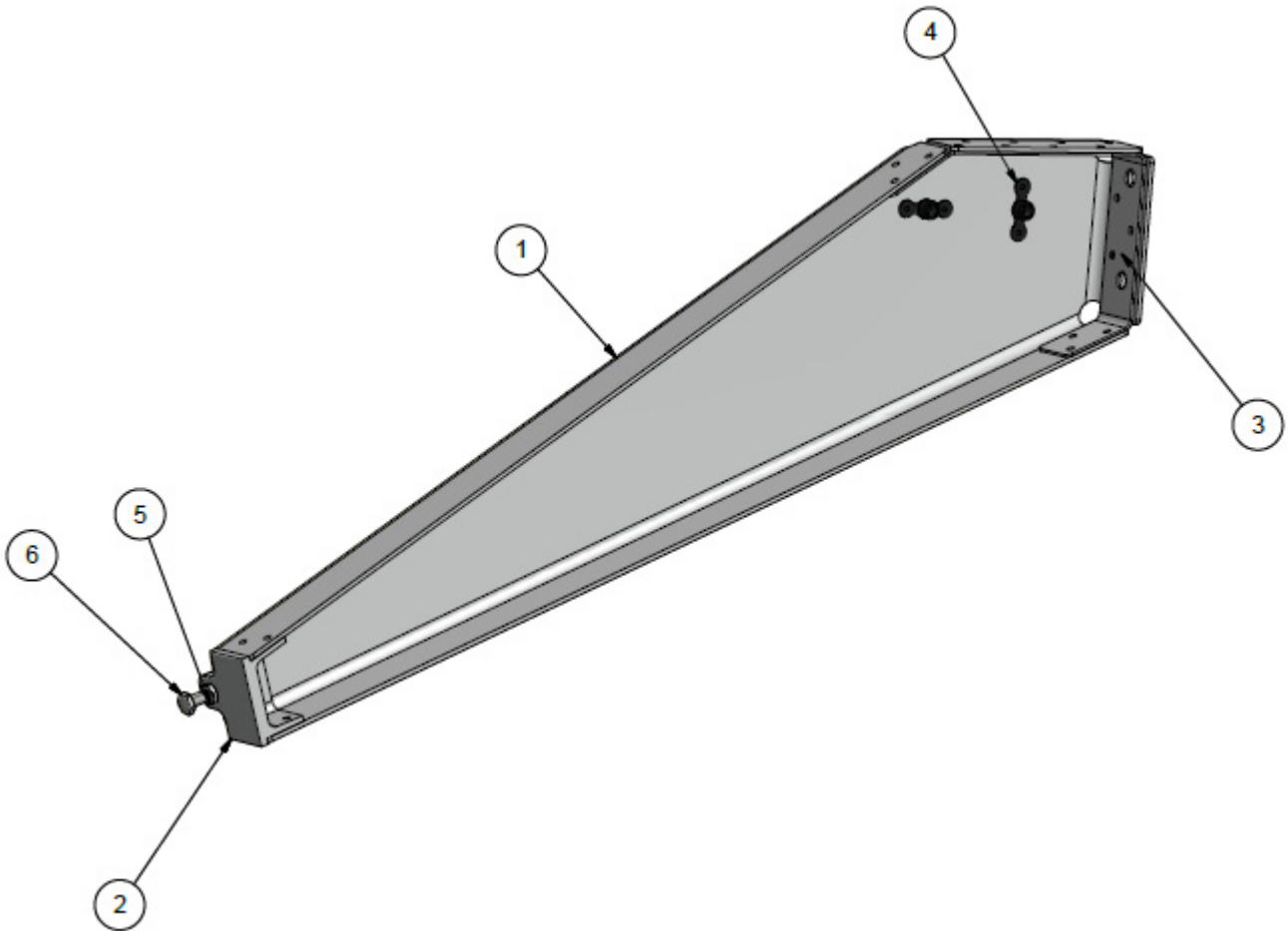
ITEM	QTY	PART NO.	PART DESCRIPTION
-	1	1008985	ASSEMBLY, HUB CAP, NO DRAIN HOLE
1	1	1008976	HUB CAP WITHOUT HOLE, OIL BATH WHEEL
2	1	AS568A-229	O-RING, 2.359" ID

MAIN GEAR LEFT DOWN STOP ASSEMBLY



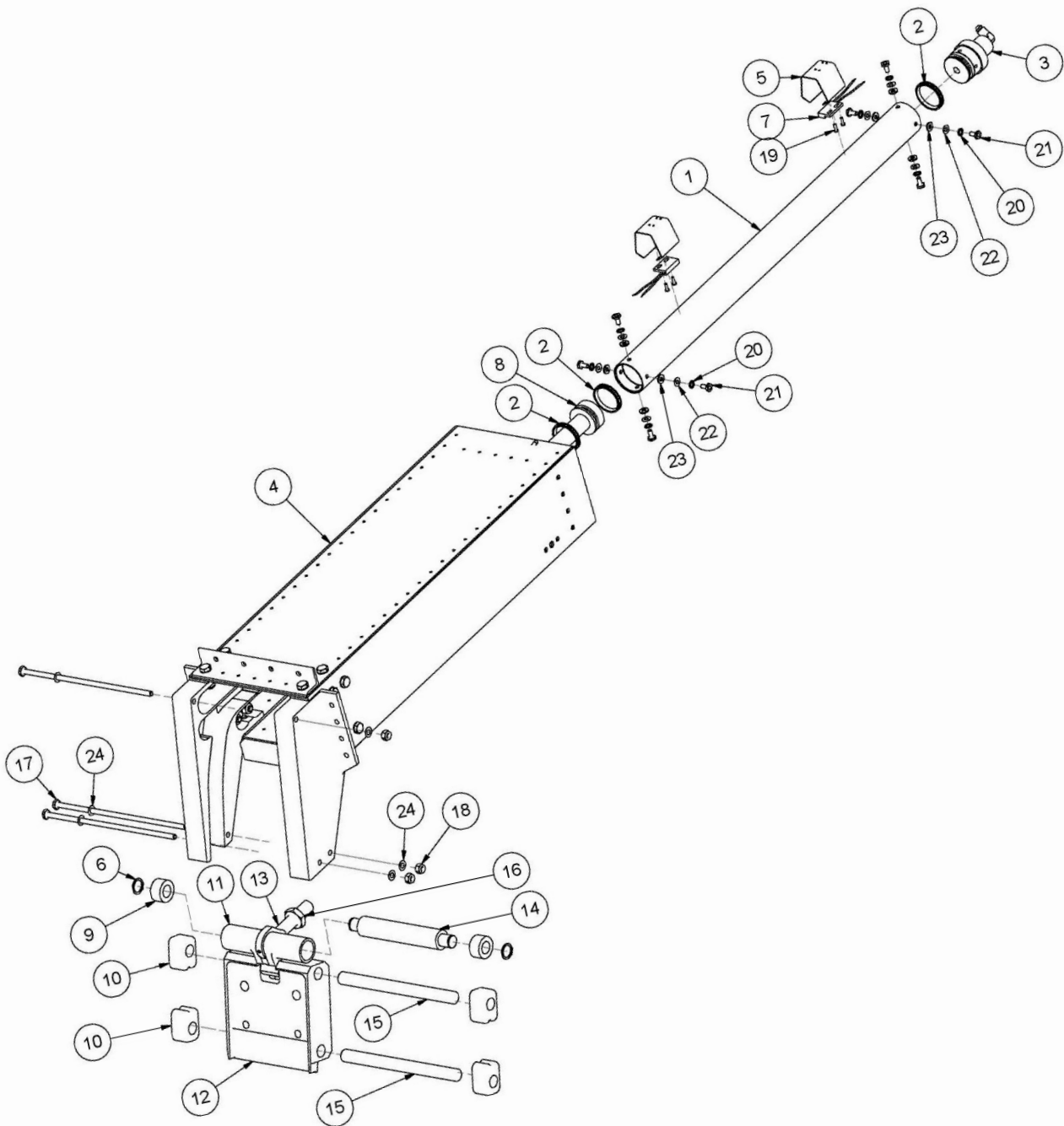
ITEM	QTY	PART NO.	PART DESCRIPTION
-	1	1004457	ASS'Y., DOWN STOP, MAIN GEAR, LEFT
1	1	1004453	DOWN STOP, LH, MAIN GEAR
2	1	1004455	ADJUSTMENT, LH, DOWN STOP, MAIN GEAR
3	1	1004451	REINFORCEMENT, LH, DOWN STOP, MAIN GEAR
4	2	MS21047L4	NUT PLATE, SELF LOCKING
5	1	AN316-4R	NUT JAM, HEXAGON, 1/4-28 THREAD, RIGHT
6	1	NAS428-4-10	ADJUSTING BOLT

MAIN GEAR RIGHT DOWN STOP ASSEMBLY



ITEM	QTY	PART NO.	PART DESCRIPTION
-	1	1004458	ASS'Y., DOWN STOP, MAIN GEAR, RIGHT
1	1	1004454	DOWN STOP, RH, MAIN GEAR
2	1	1004456	ADJUSTMENT, RH, DOWN STOP, MAIN GEAR
3	1	1004452	REINFORCEMENT, RH, DOWN STOP, MAIN GEAR
4	2	MS21047L4	NUT PLATE, SELF LOCKING
5	1	AN316-4R	NUT JAM, HEXAGON, 1/4-28 THREAD, RIGHT
6	1	NAS428-4-10	ADJUSTING BOLT

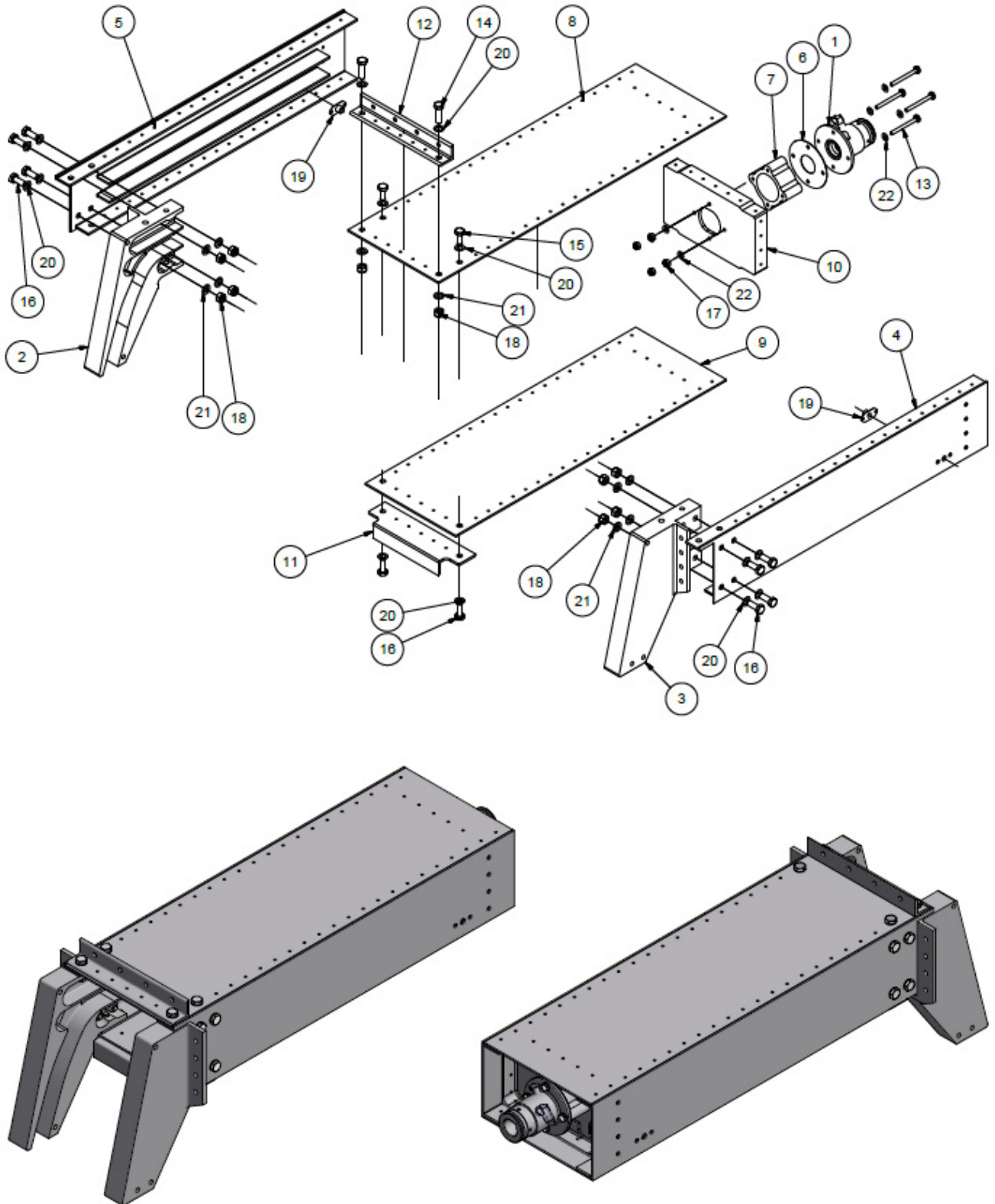
NOSE GEAR ACTUATOR ASSEMBLY



PARTS MANUAL
8750 FLOATS ON CESSNA 208 AND 208B

ITEM	QTY	PART NO.	PART DESCRIPTION
-		1004336	ASS'Y., NOSE GEAR ACTUATOR
1	1	1002024	CYLINDER, RAM, NOSE, 6000/8000
2	3	1002229	PISTON, T-SEAL
3	1	1002236	ASSEMBLY, CYLINDER END CAP
4	1	1004335	ASSY, NOSE BOX
5	2	3A07005-178	CLIP, SWITCH, NOSE & MAIN
6	2	5100-62H	SNAP RING
7	2	5801	SWITCH, SENSOR
8	1	6A07000-008	ASSY, RAM, NOSE GEAR
9	2	6A07544-001	ROLLER - TRACK, NOSE GEAR
10	4	6A07603-001	BLOCK, SLIDE, TROLLEY, NOSE GEAR
11	1	8A07185-002	LINK, NOSE GEAR RAM
12	1	8A07188-001	TROLLEY, NOSE GEAR
13	1	8A07257-002	ROD END, NOSE GEAR RAM
14	1	8A07505-001	AXLE, LINK, NOSE GEAR
15	2	8A07534-003	AXLE, NOSE GEAR TROLLEY
16	1	AN316-10R	NUT JAM, HEXAGON, 5/8-18 THREAD, RIGHT
17	3	AN4-81A	BOLT
18	3	MS21044N4	NUT, LOCKING, REGULAR HEIGHT, 1/4-28 UNF
19	4	MS35206-215	SCREW, MACHINE, PAN HEAD
20	8	MS35333-39	STAR WASHER
21	8	NAS1103-2	BOLT
22	8	NAS1149D0316J	WASHER, 0.203 ID, 0.016 THK, ALUMINUM
23	8	NAS1149D0363J	WASHER, 0.203 ID, 0.063 THK, ALUMINUM
24	6	NAS1149D0416J	WASHER, 0.265 ID, 0.016 THK, ALUMINUM

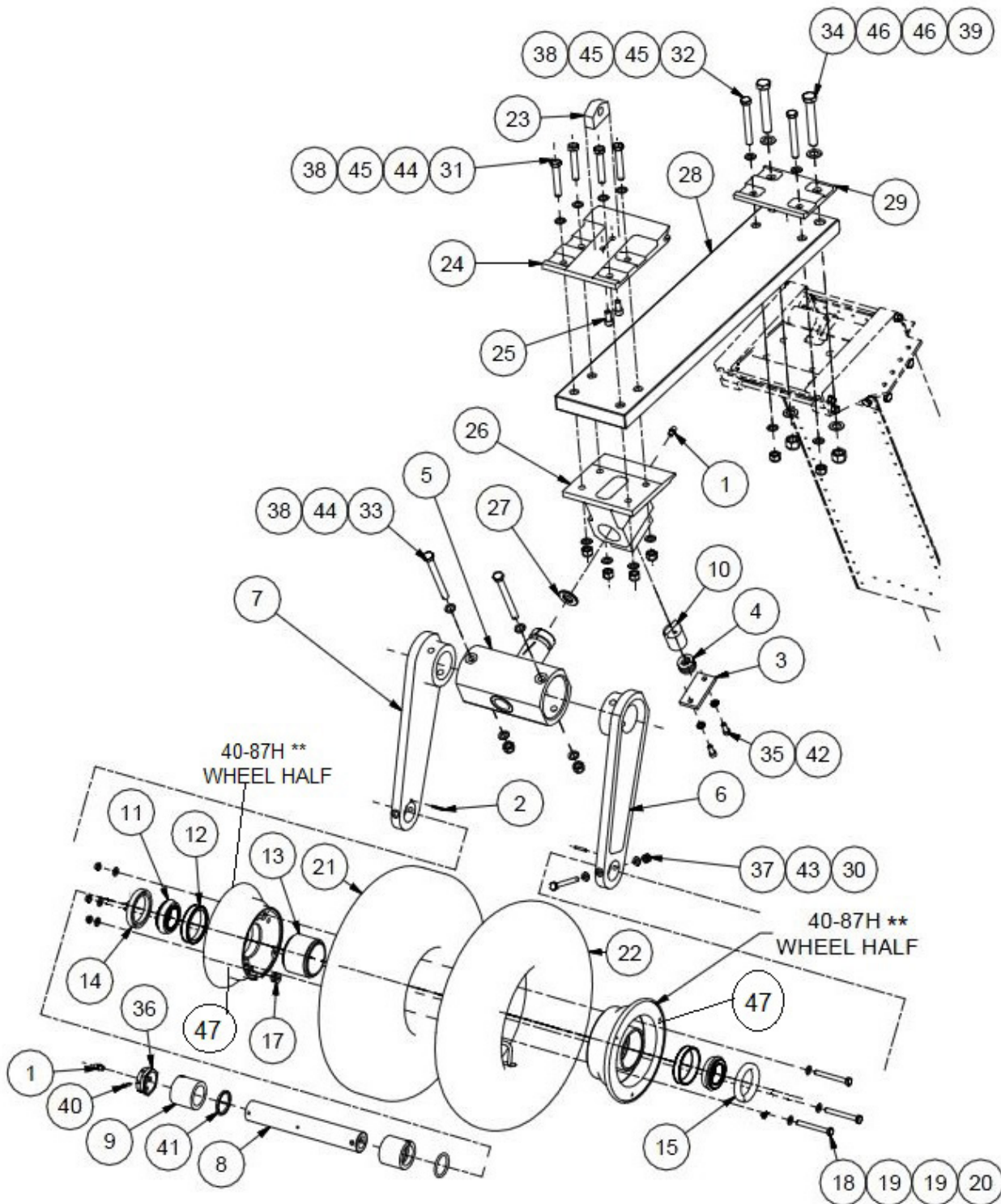
NOSE BOX ASSEMBLY



PARTS MANUAL
8750 FLOATS ON CESSNA 208 AND 208B

ITEM	QTY	PART NO.	PART DESCRIPTION
-		1004335	ASS'Y., NOSE BOX
1	1	1002237	CYLINDER FLANGE ASS'Y
	1	1002013	FLANGE (NOT SOLD SEPERATELY)
	2	1002230	T-SEAL
	1	6A07580-005	WIPER, NOSE
	1	8880510	WIPER (NOT SOLD SEPERATELY)
	1	MS20822-4D	ELBOW FITTING, ALUMINUM
	1	1231K2	OILER, 1/4" DIA
2	1	1004079	TRACK, END, NOSE GEAR, RH
3	1	1004080	TRACK END, NOSE GEAR, LH
4	1	1004333	SIDE TRACK, NOSE GEAR, LH
5	1	1004334	SIDE TRACK, NOSE GEAR, RH
6	1	6A07158-129	PLATE - FLANGE
7	1	6A07264-003	SPACER - FLANGE CYLINDER NOSE GEAR RAM
8	1	8A07156-037	SKIN- NOSE BOX, TOP, 8000 FLOATS
9	1	8A07156-038	SKIN-NOSE BOX, BOTTOM, 8000 FLOATS
10	1	8A07201-002	END, CAP, NOSE BOX
11	1	8A07357-038	ANGLE, NOSE BOX, BOTTOM
12	1	8A07427-004	ANGLE, NOSE BOX, TOP
13	4	AN3-20A	BOLT, AIRFRAME, 10-32 THREAD, 1-5/8" GRIP, 2-1/32" LENGTH
14	2	AN5-10A	BOLT, 5/16-24 THREAD, 9/16" GRIP, 1-3/32" LENGTH
15	2	AN5-5A	BOLT, AIRFRAME, 5/16-24 THREAD, 3/16" GRIP, 23/32" LENGTH
16	10	AN5-6A	BOLT, AIRFRAME, 5/16-24 THREAD, 5/16" GRIP, 27/32" LENGTH
17	4	MS21044N3	NUT, LOCKING, REGULAR HEIGHT, 10-32 UNF
18	10	MS21044N5	NUT, LOCKING, REGULAR HEIGHT, 5/16-24 UNF
19	2	MS21059L5	NUT PLATE
20	14	NAS1149D0516J	WASHER, AIRFRAME, ALUMINUM, TO FIT DIA 5/16"
21	10	NAS1149D0563J	WASHER, 0.328 ID, 0.063 THK, ALUMINUM
22	8	NAS1149F0332P	WASHER, 0.203 ID, 0.032 THK, STEEL

NOSE GEAR WHEEL ASSEMBLY



**Before installation drill 1/4" drainage holes in outer wheel half rim.

PARTS MANUAL
8750 FLOATS ON CESSNA 208 AND 208B

ITEM	QTY	PART NO.	PART DESCRIPTION
-	1	8A06000-008	MODIFIED NOSE WHEEL ASSEMBLY
1	2	1095K41	COMMON GREASEZERK
2	2	215-125-0750	PIN, ROLL, 1/8 X 3/4, SPRING
3	1	3A06037-001	CAP - PIVOT BLOCK
4	1	3A06525-002	SPRING
5	1	6A06000-006	YOKE ASSY
6	1	6A06199-003	LEG, NOSE WHEEL FORK, LEFT
7	1	6A06199-004	LEG, NOSE WHEEL FORK, RIGHT
8	1	6A06265-001	AXLE - NOSE WHEEL
9	2	6A06268-002	SPACER
10	1	6A06512-002	RETAINER, NOSE GEAR PIVOT
11	2	08125	BEARING, STL, TIMKEN. 40-87H
12	2	08231	CUP, BEARING, TIMKEN, 40-87H
13	1	1003232	RETAINER, GREASE, NOSE WHEEL
14	1	1003547	SEAL, BEARING, WHEEL, INBOARD
15	1	1003548	SEAL, NOSE WHEEL, OUTBOARD
17	1	217-00100	GROMMET, AIR VALVE STEM
18	3	AN4-22A	BOLT, 1/4-28 THREAD, 1-13/16" GRIP, 2-9/32" LENGTH
19	6	NAS1149F0463P	WASHER, SCREW SIZE 1/4 OD.500 ID.265 THK.063
20	3	NAS21042-4	NUT
21	1	301-018-420*	TIRE, 5 X 10 PLY
22	1	XA1AC*	TUBE, 5.00 X X6
23	1	6A06202-001	BLOCK, ATTACH, TOWING
24	1	8A06210-002	PLATE, BEARING, NOSE SPRING
25	2	MS16997-78	SOCKET HEAD CAP SCREW
26	1	8A06308-001	BLOCK, PIVOT, NOSE GEAR
27	1	8A06600-001	WASHER - THRUST
28	1	8A06626-001	SPRING, NOSE GEAR
29	1	8A07212-001	PLATE - BEARING, NOSE SPRING
30	1	AN4-25A	BOLT, 1/4-28 THREAD, 2-3/16" GRIP, 2-21/32 LENGTH
31	4	AN6-21A	BOLT, AIRFRAME, 3/8-24 THREAD, 1-9/16" GRIP, 2-13/64 LENGTH
32	2	AN6-27A	BOLT, AIRFRAME, 3/8-24 THREAD, 2-5/16" GRIP, 2-61/64 LENGTH
33	2	AN6-37A	BOLT, AIRFRAME, 3/8-24 THREAD, 3-5/16" GRIP, 3-61/64 LENGTH
34	2	AN8-31A	BOLT, AIRFRAME, 1/2-20 THREAD, 2-7/16" GRIP, 3-7/32" LENGTH
35	2	MS16997-60	SOCKET HEAD CAP SCREW
36	1	MS21025-20	NUT, AXLE
37	1	MS21044N4	NUT, HEX LOCKING NYLON INSERT STEEL CAD 2, 1/4-28
38	8	MS21044N6	NUT, NYLON INSERT, 250 DEG, STEEL, 0.375-24 THREAD
39	2	MS21044N8	NUT, 1/2-20 THREAD, NYLON INSERT, 250 DEG.
40	1	MS24665-349	COTTER PIN
41	2	MS28775-218	"O" RING

ITEM	QTY	PART NO.	PART DESCRIPTION
42	2	MS35333-40	STAR WASHER
43	2	NAS1149F0432P	WASHER, AIRFRAME, CARBON STEEL, TO FIT DIA 1/4"
44	8	NAS1149F0632P	WASHER
45	8	NAS1149F0663P	WASHER
46	4	NAS1149F0863P	WASHER, AIRFRAME, CARBON STEEL, TO FIT DIA 1/2"
47	1	1003233	ASSEMBLY, NOSE WHEEL WITHOUT TIRE (INCLUDES ITEMS 13-20)
	1	40-87H	ASSEMBLY, RIM, NOSE WHEEL

* Any alternate tire (tube type) which is TSO-approved, matches the listed tire's dimensions, and meets its speed/load/ply ratings may be used. Equivalent tubes may also be used.

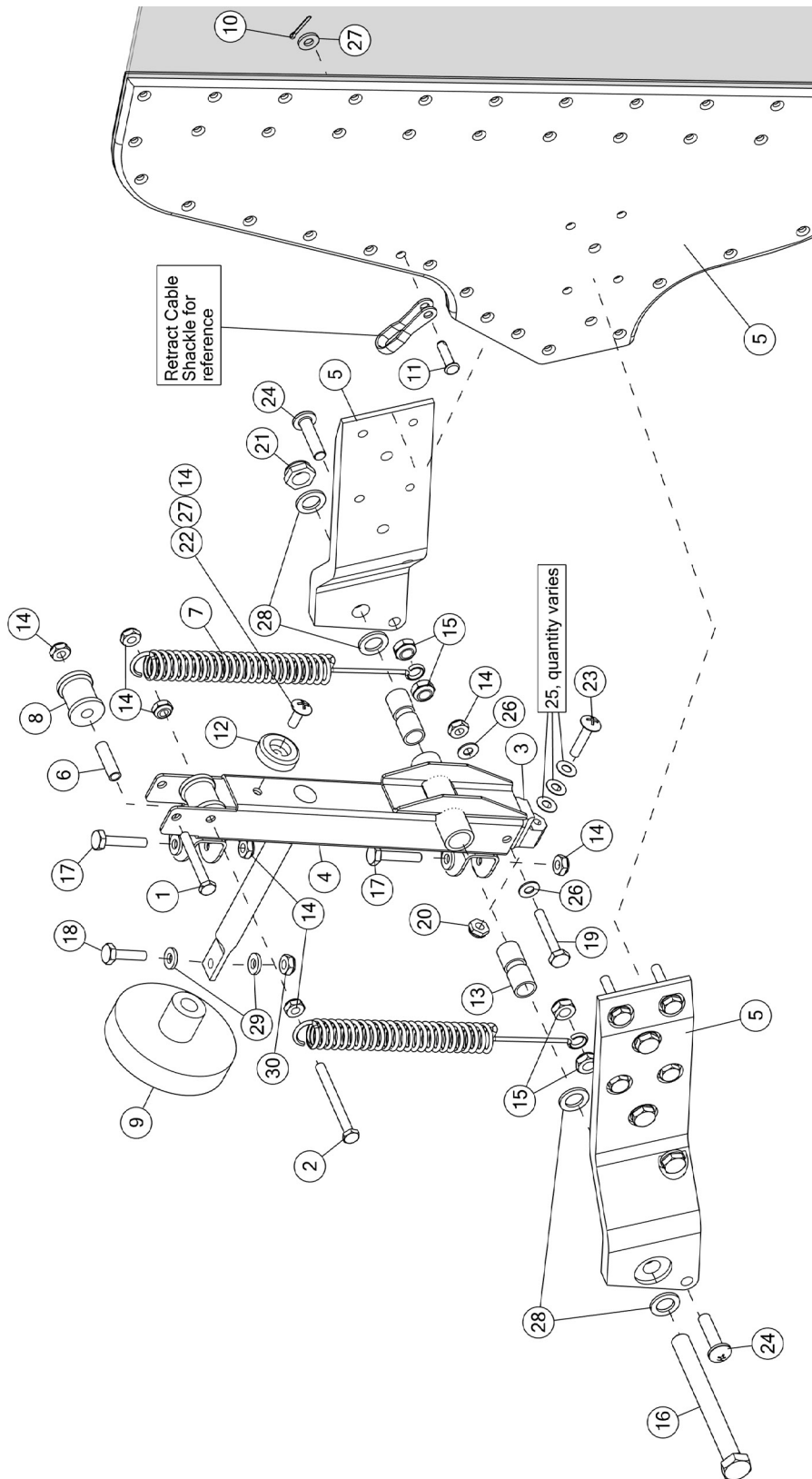
SECTION 8

WATER RUDDER, STEERING, AND RETRACT CABLES

CONTENTS

WATER RUDDER ASSEMBLY	152
8A08000-079 WATER RUDDER WITH DOUBLERS AND ARMS ASSEMBLY	154
WATER RUDDER CABLE SYSTEM.....	155

WATER RUDDER ASSEMBLY

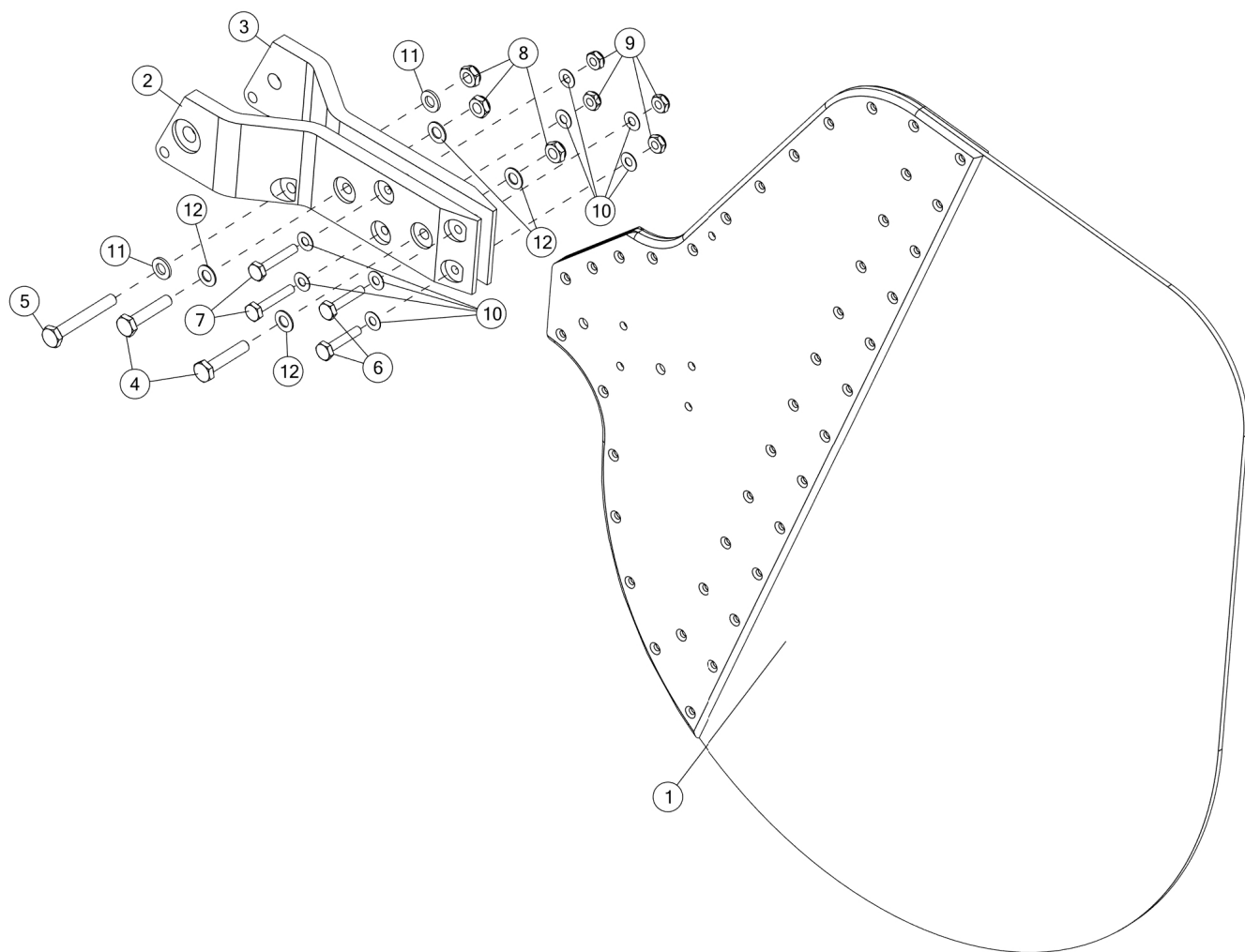


PARTS MANUAL
8750 FLOATS ON CESSNA 208 AND 208B

ITEM	QTY	PART NO.	PART DESCRIPTION
1	1	#10-32 X 1.5 SS	STAINLESS STEEL, HEX CAPSCREW
2	1	#10-32 X 2 SS	STAINLESS STEEL, HEX CAPSCREW
3	1	1004372	STOP, WATER RUDDER, 7000
4	1	8A08000-098	WATER RUDDER POST (ASSEMBLY INCLUDES 06DU08 ITEM 13 BUSHINGS)
5	1	8A08000-079	ASSY, WATER RUDDER W/DOUBLERS AND ARMS
6	2	3A08502-001	SPACER, WATER RUDDER RETRACT ROLLER, LONG
7	2	3A08525-001	SPRING, RUDDER RETRACT
8	2	3A08606-001	ROLLER, CABLE RETRACT, LOWER
9	1	3A08650-001	BOOT, WATER RUDDER
10	1	MS24665-151	COTTER PIN
11	1	MS20392-2C19	CLEVIS PIN
12	1	8A08602-004	STOP, WATER RUDDER UP
13	4	06DU08	BUSHINGS (BUSHINGS INCLUDED IN 8A08000-098 WATER RUDDER POST)
14	8	NAS679A3W	KAYNAR NUT
15	4	NAS679A4W	KAYNAR NUT
16	1	AN6C34A	BOLT, 3/8-24 THREAD, 2-15/16" GRIP, 3-37/64 LENGTH
17	2	AN3C10A	BOLT, AIRFRAME, CORROSION RESISTANT, 10-32 THREAD
18	1	AN3-6A	BOLT SIZE 10-32, LENGTH +/- 1/64 - 25/32, GRIP LENGTH 3/8
19	1	AN3C12A	BOLT
20	1	MS21083C3	NUT
21	1	MS21083C6	NUT
22	1	AN526C1032R8	SCREW
23	1	AN526C1032R14	SCREW
24	2	MS27039C4-15	SCREW
25	3*	NAS1149C0316R	WASHER
26	2	NAS1149C0332R	WASHER, CORROSION RESISTANT, TO FIT DIA #10"
27	2	NAS1149C0363R	WASHER
28	4	NAS1149C0663R	WASHER
29	2	NAS1149F0363P	WASHER
30	1	MS21083N3	NUT

*QUANTITY VARIES ON AN526-1032R14 SCREW DUE TO WATER RUDDER DOWN STOP ADJUSTMENT.

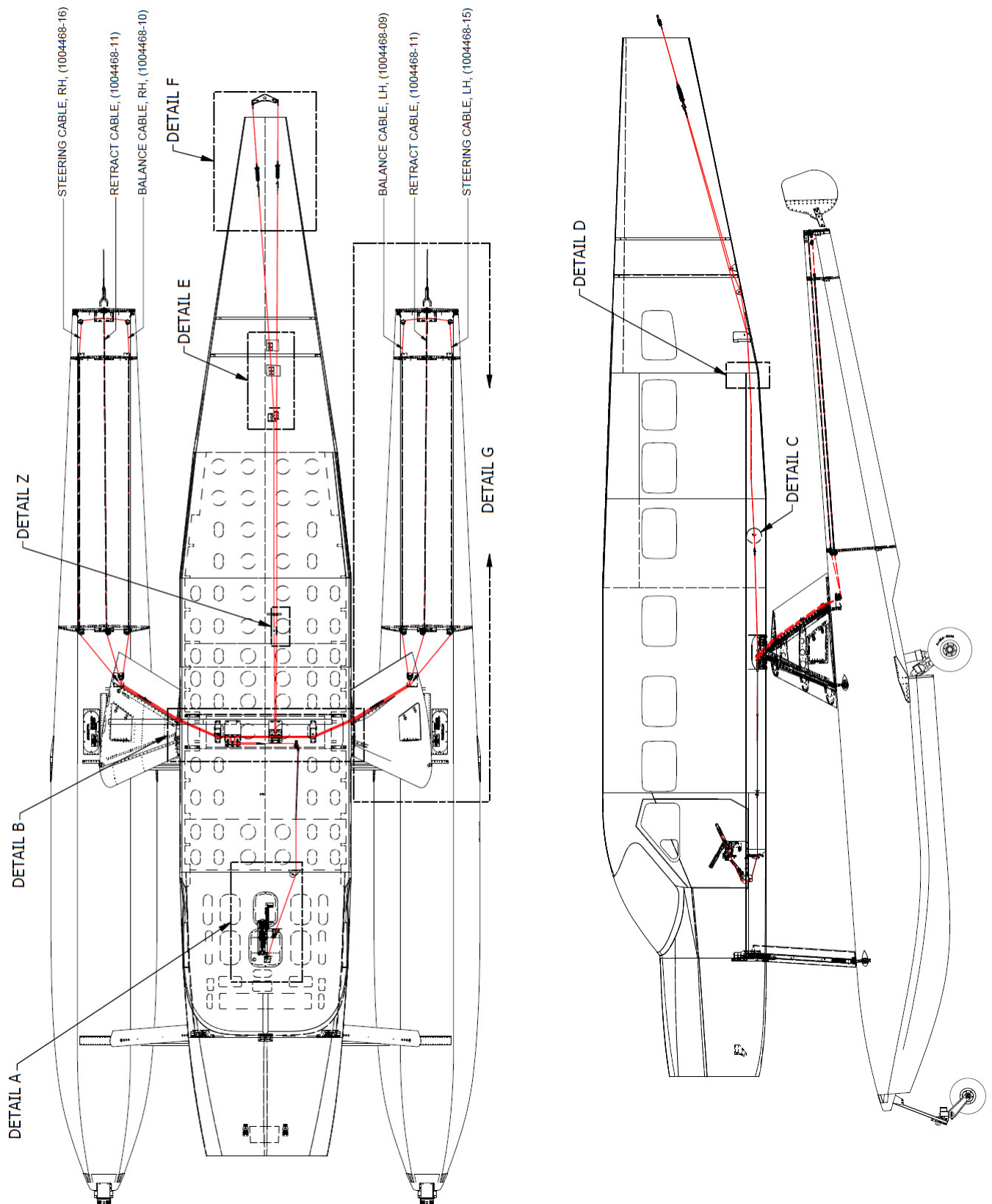
8A08000-079 WATER RUDDER WITH DOUBLERS AND ARMS ASSEMBLY

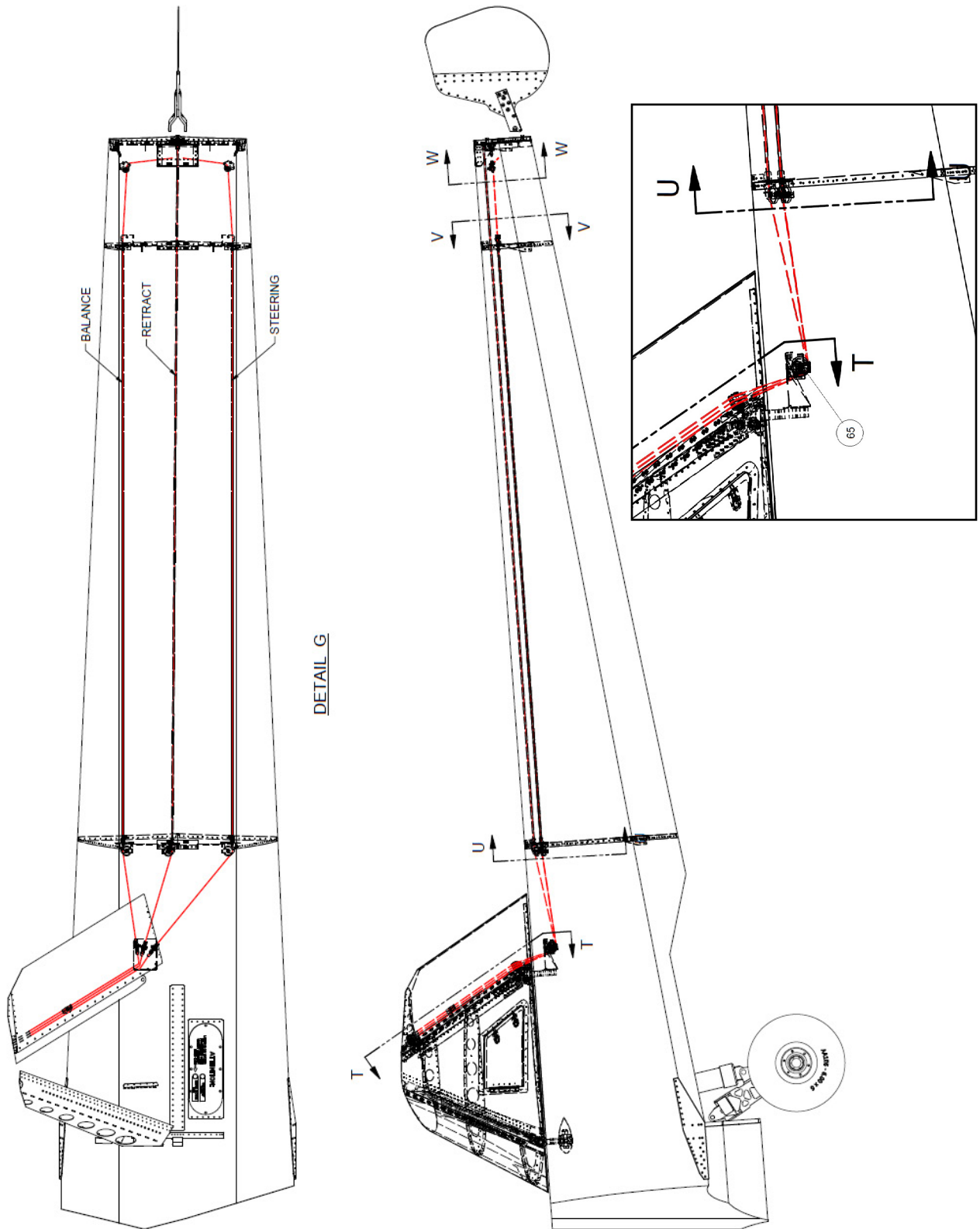


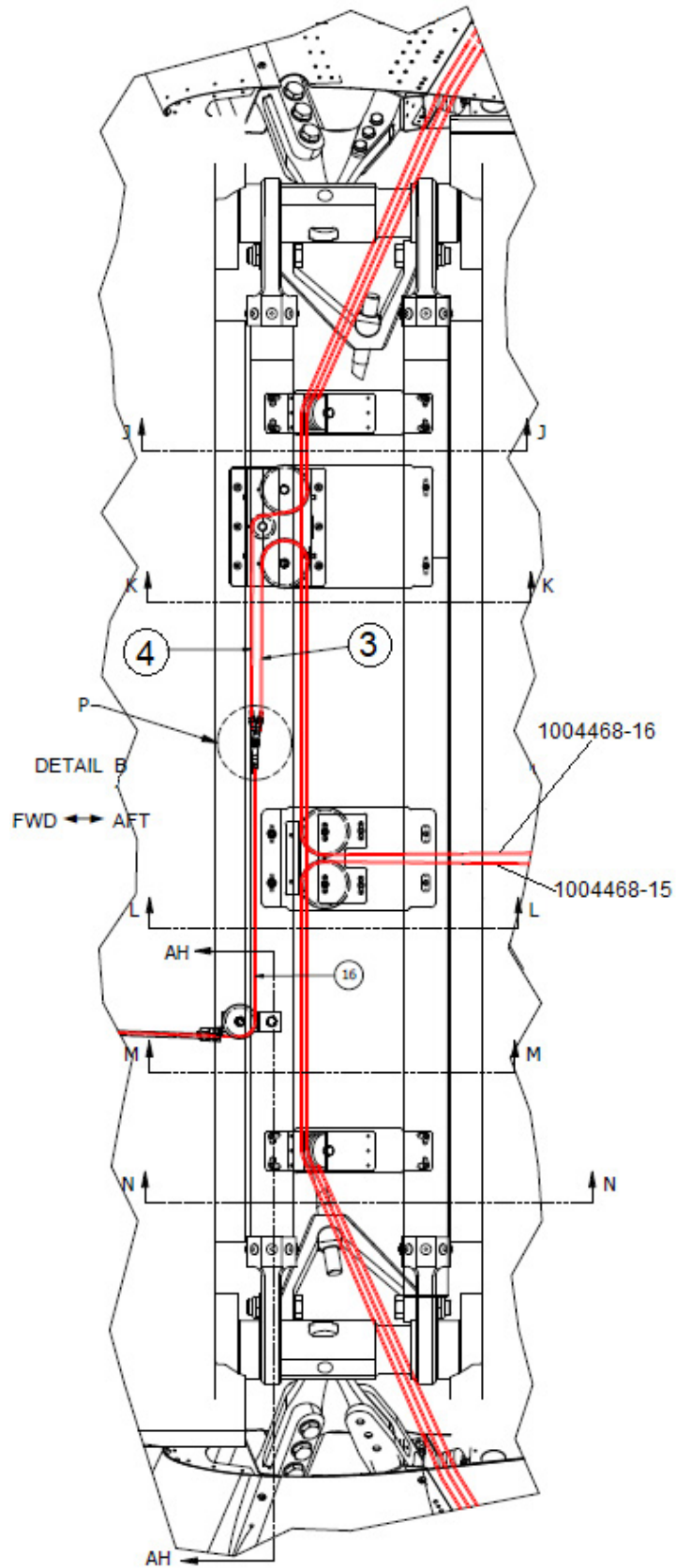
ITEM	QTY	PART NO.	PART DESCRIPTION
1	1	8A08000-023	WATER RUDDER BLADE ASSEMBLY WITH DOUBLERS
2	1	8A08044-001	ARM, WATER RUDDER LT.
3	1	8A08044-002	ARM, WATER RUDDER RT.
4	2	AN4-12A	BOLT, AIRFRAME, 1/4-28 THREAD, 13/16" GRIP, 1-9/32" LENGTH
5	1	AN4-17A	BOLT, 1/4-28 THREAD, 1-7/16" GRIP, 1-29/32" LENGTH
6	2	AN3-10A	BOLT SIZE 10-32, LENGTH +/- 1/64 - 1-1/32, GRIP LENGTH 5/8
7	2	AN3-11A	BOLT, AIRFRAME, 10-32 THREAD, 3/4" GRIP, 1-5/32" LENGTH
8	3	NAS679A4W	NUT, SELF LOCKING
9	4	NAS679A3W	NUT, SELF LOCKING
10	8	NAS1149D0316J	WASHER, ALUMINUM
11	2	NAS1149D0463J	WASHER, ALUMINUM
12	4	NAS1149D0416J	WASHER, ALUMINUM

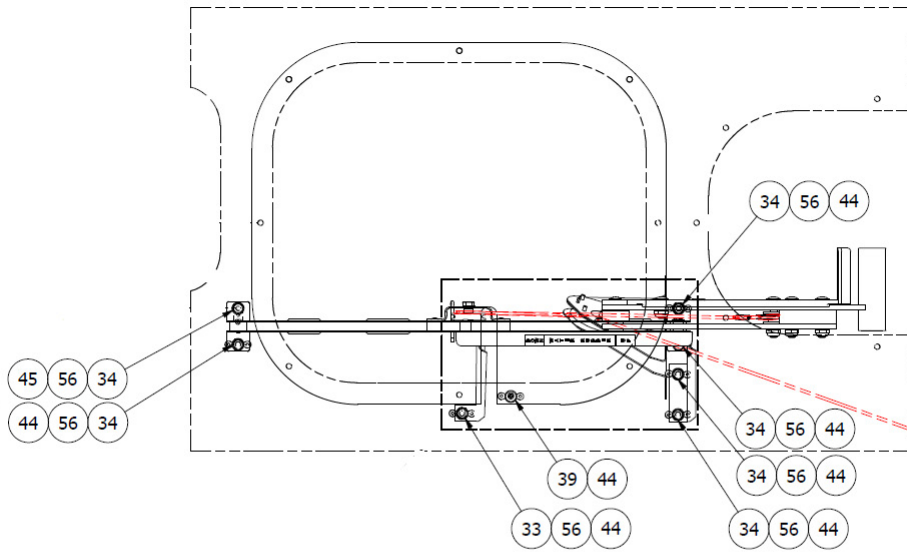
*LEFT 8A08001-029 AND RIGHT 8A08001-030 WATER RUDDER BLADE DOUBLERS NOT SOLD SEPARATELY

WATER RUDDER CABLE SYSTEM

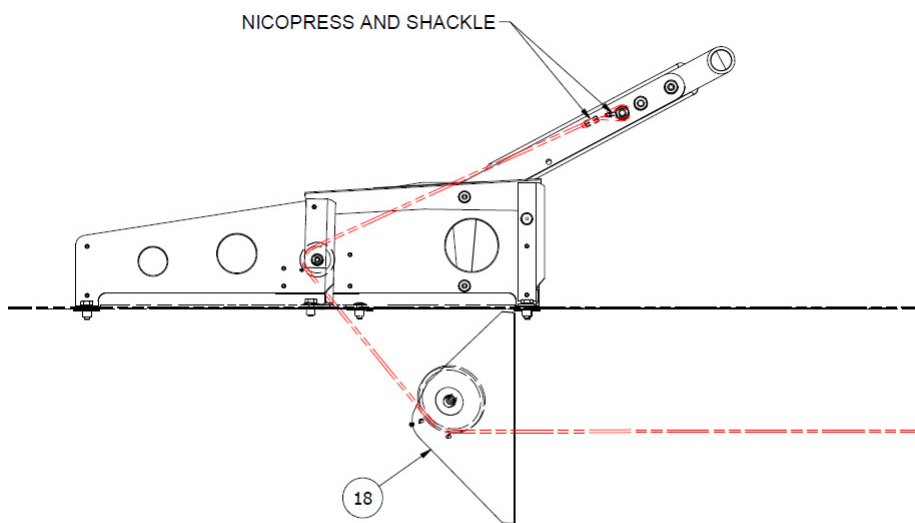




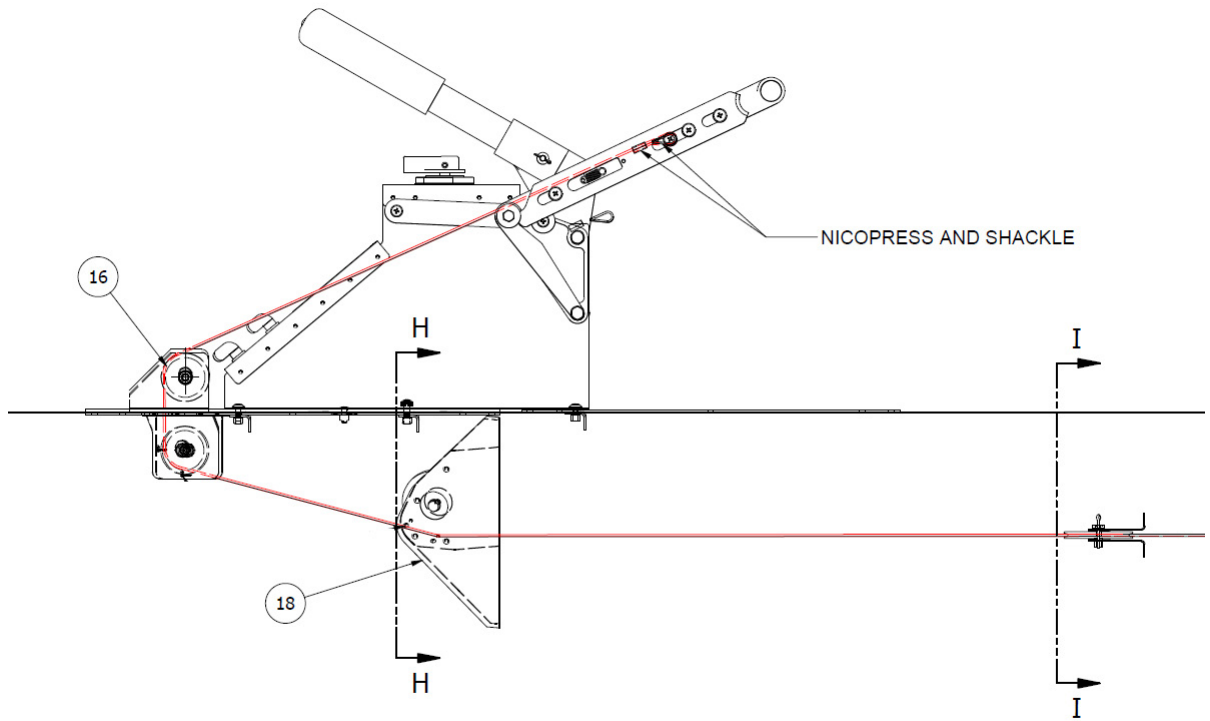




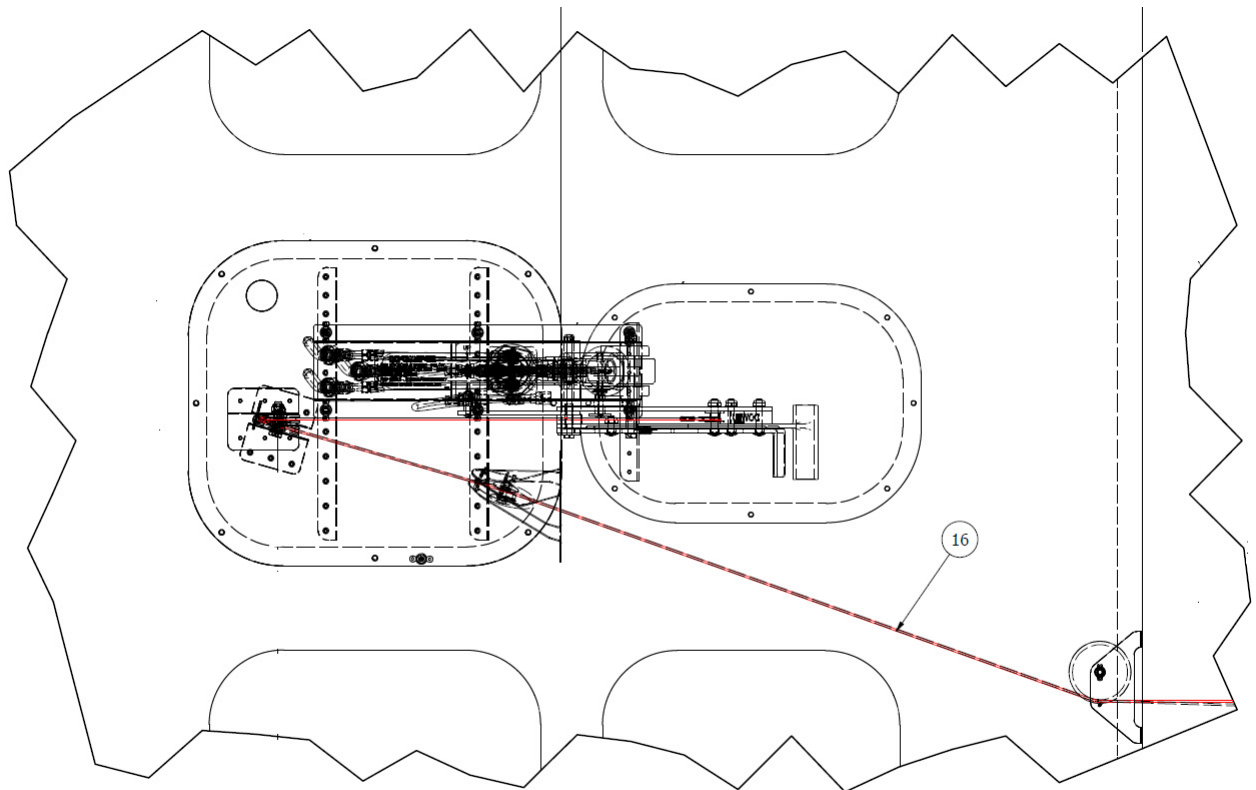
DETAIL A
1005050 SEAPLANE RETRACT HANDLE



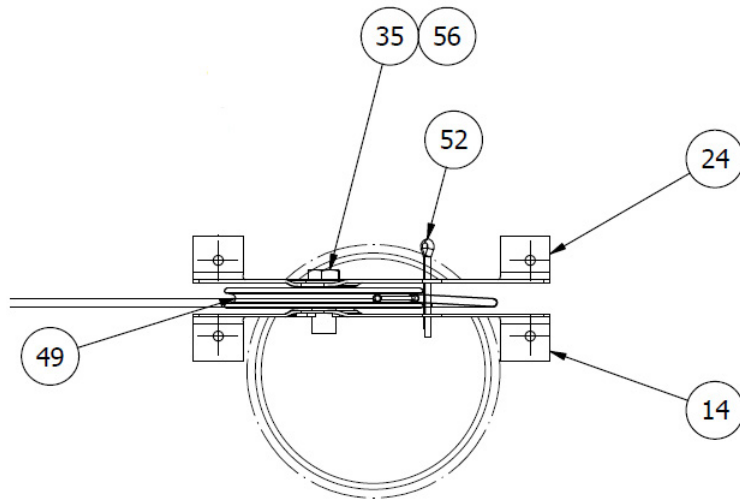
DETAIL A - SIDE VIEW
1005050 SEAPLANE RETRACT HANDLE



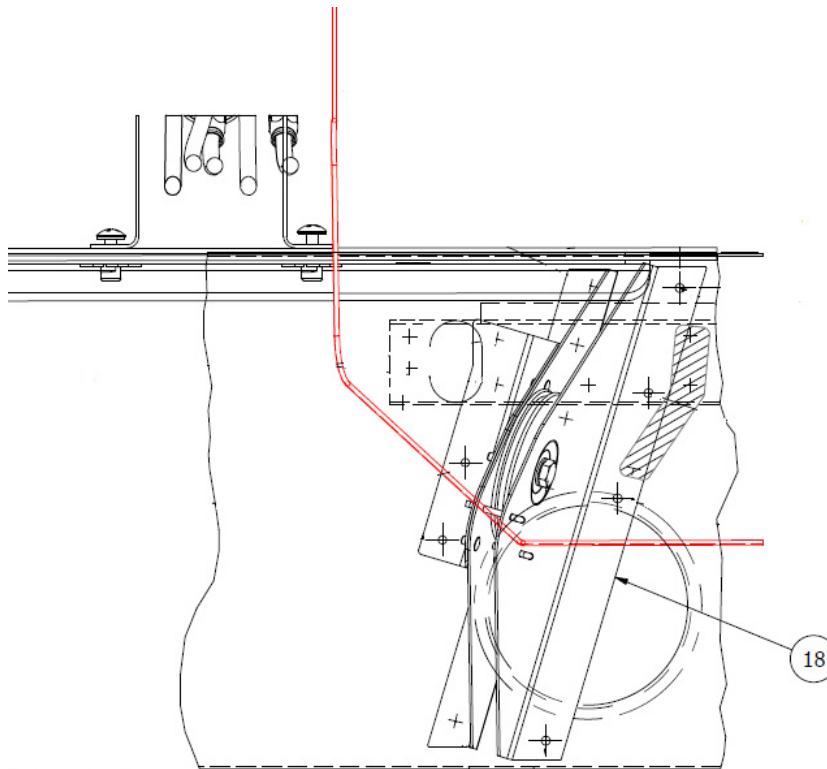
DETAIL A - SIDE VIEW
1005706 AMPHIB RETRACT HANDLE



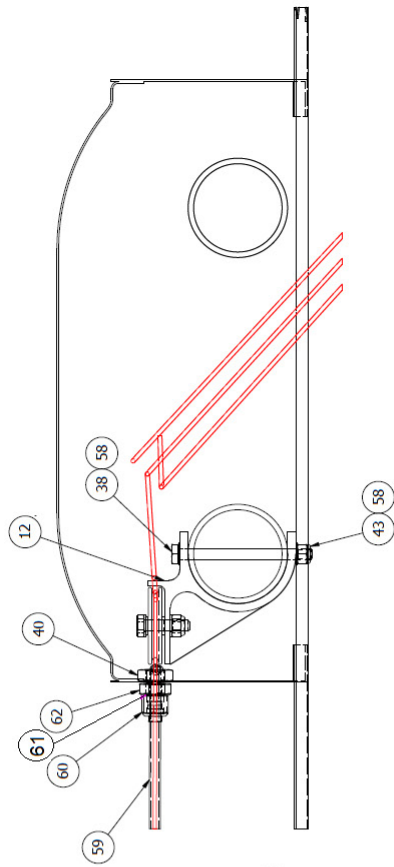
DETAIL A
1005706 AMPHIB RETRACT HANDLE



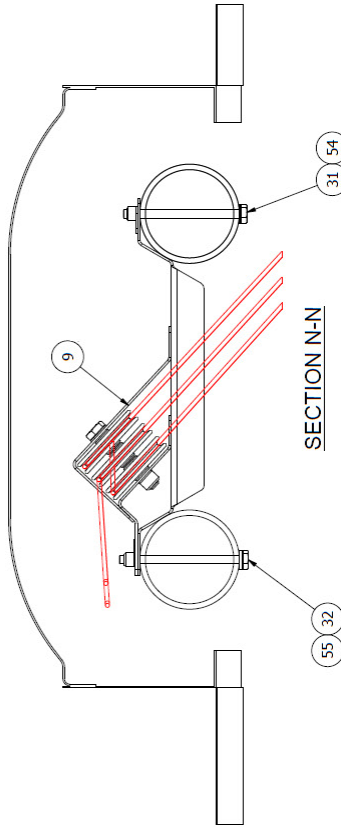
SECTION I-I
PULLEY BRACKET INSTALL - STA 166.45



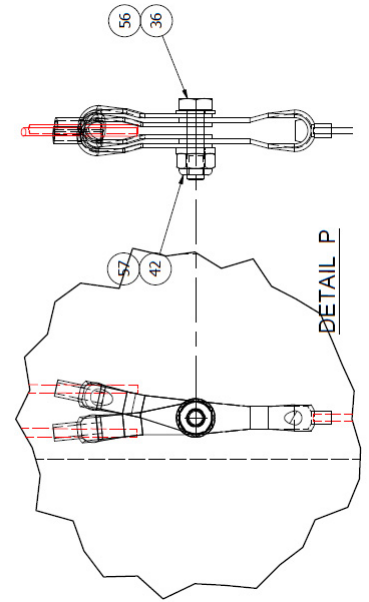
SECTION H-H
PULLEY BRACKET INSTALL - STA 143.00



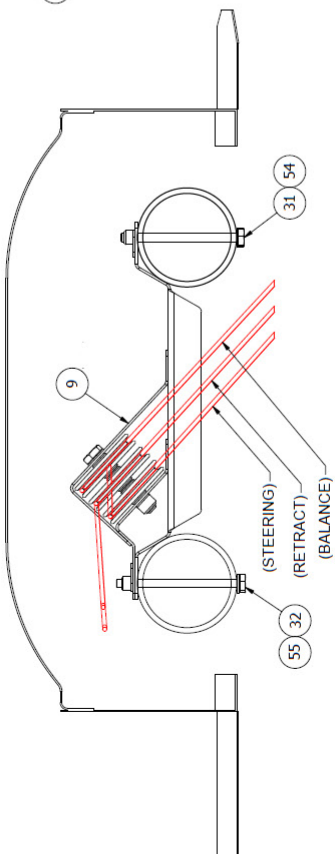
SECTION M-M



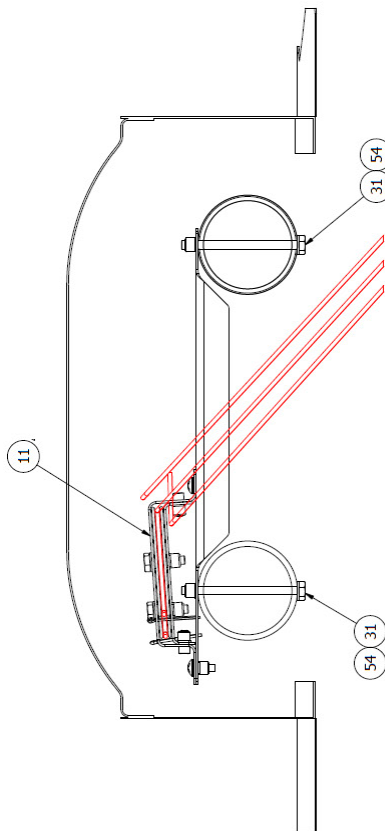
SECTION N-N



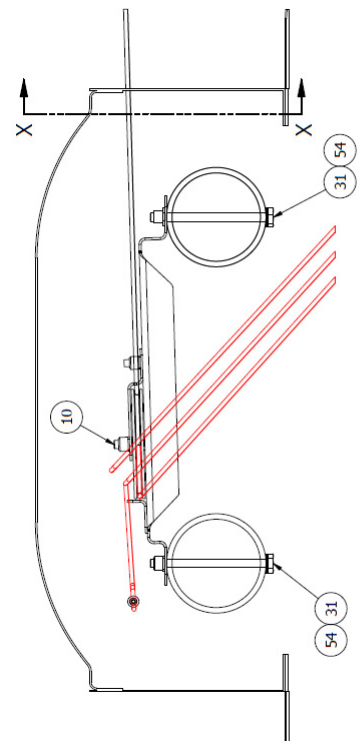
DETAIL P



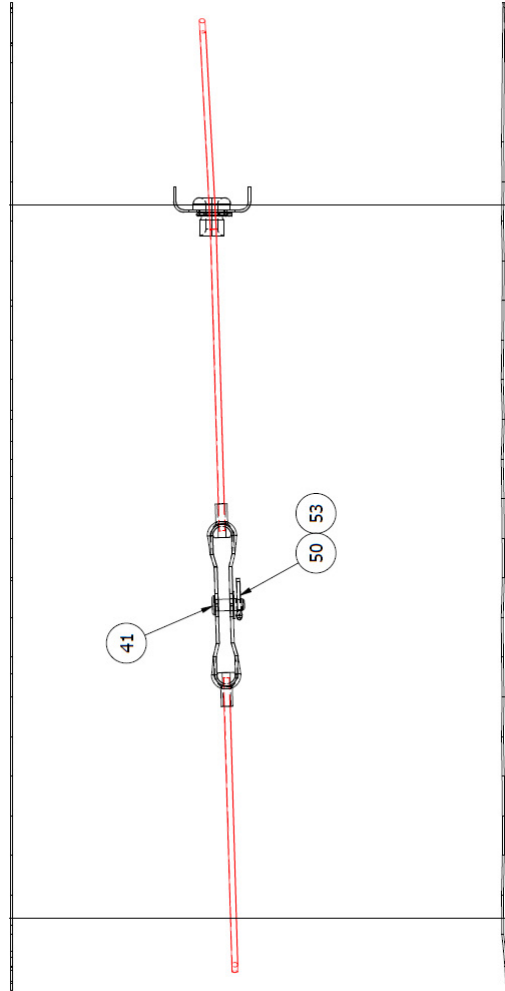
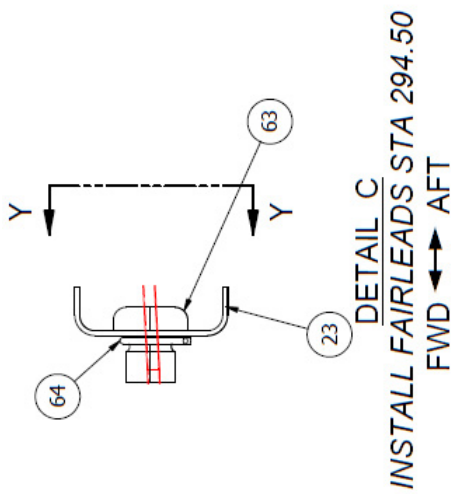
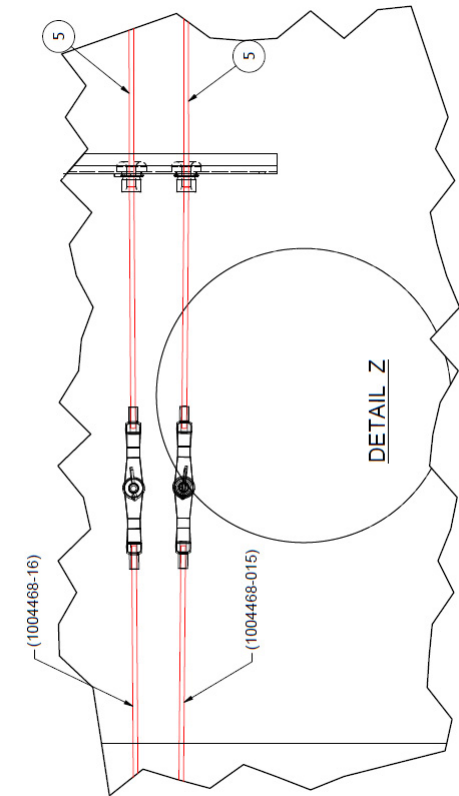
SECTION J-J

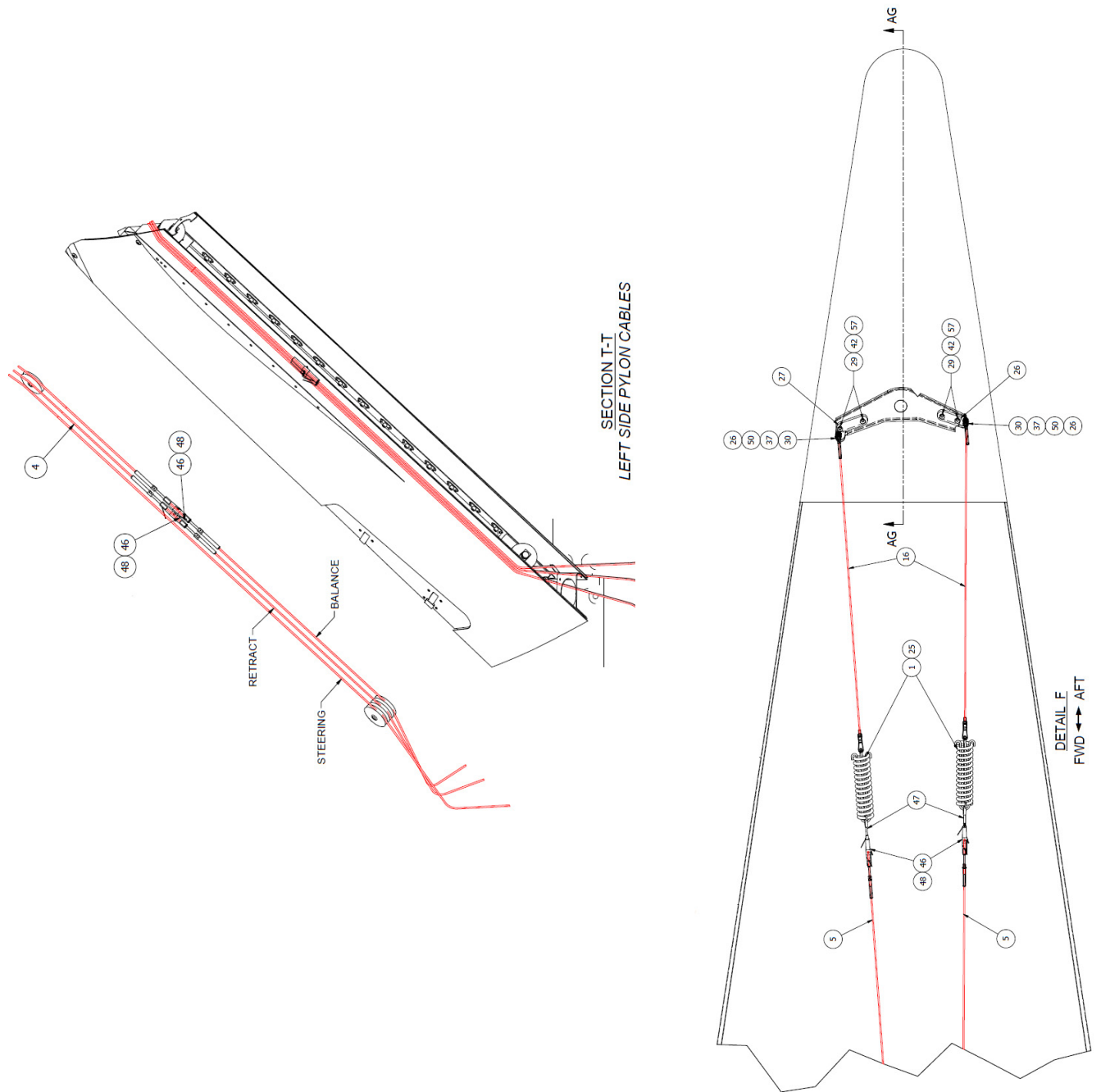


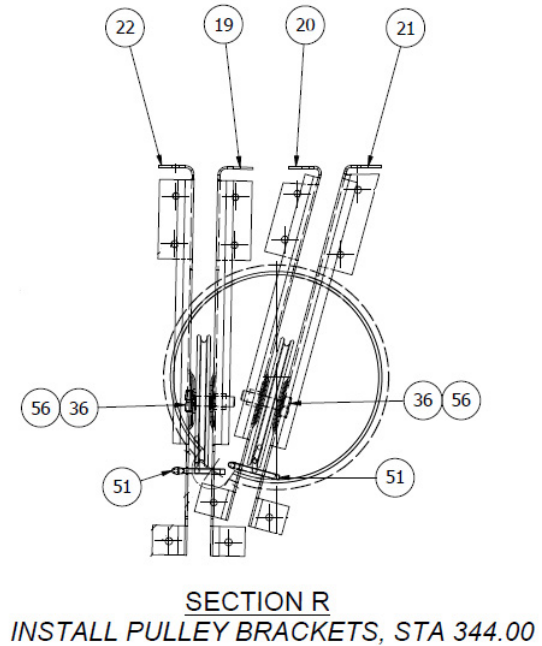
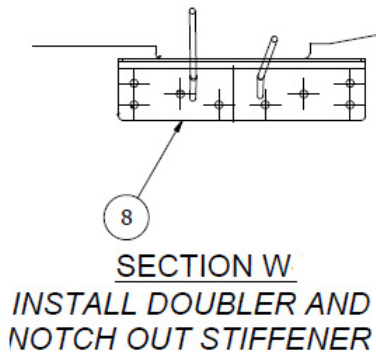
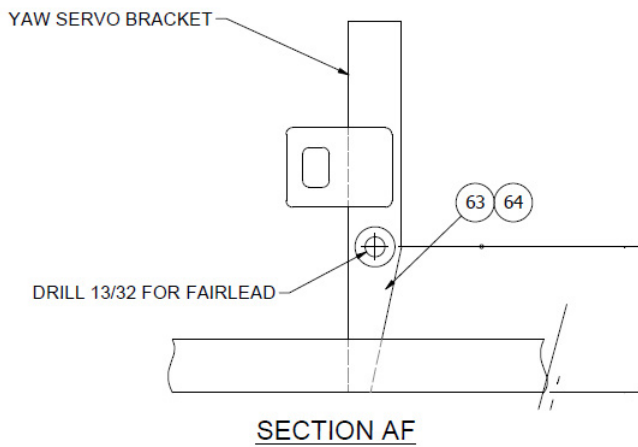
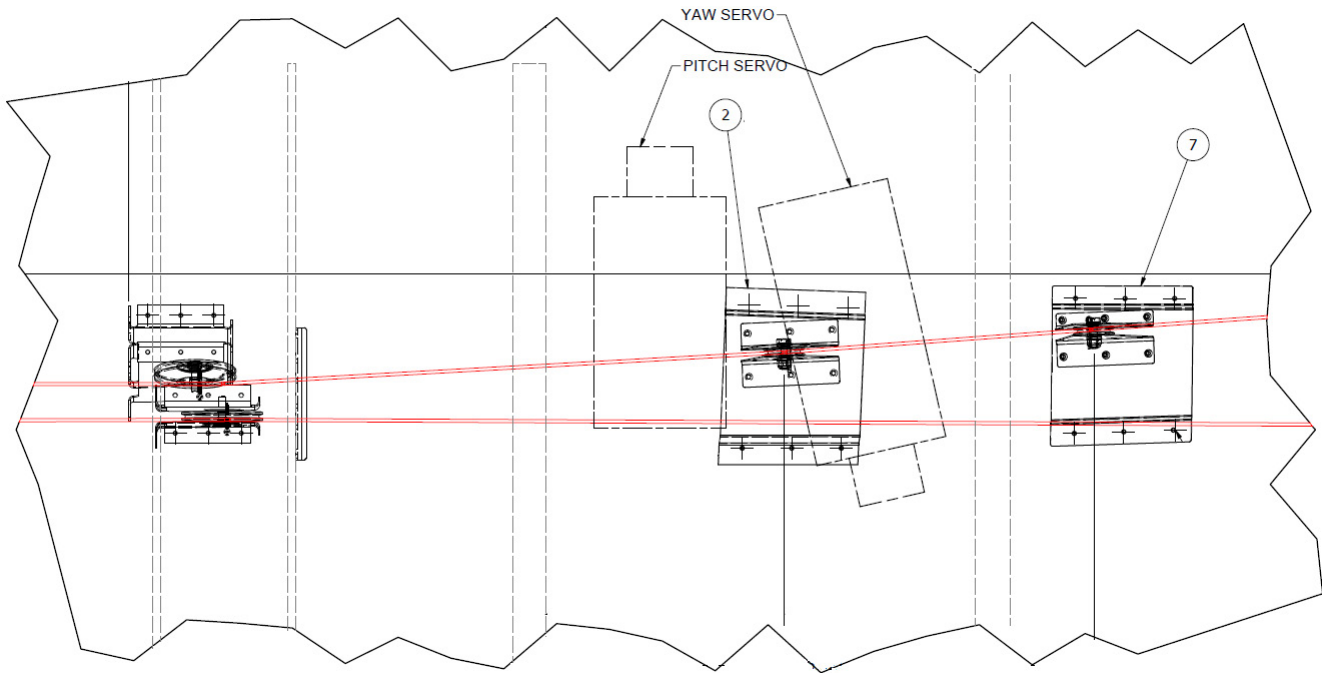
SECTION K-K



SECTION L-L







PARTS MANUAL
8750 FLOATS ON CESSNA 208 AND 208B

ITEM	QTY	PART NO.	PART DESCRIPTION
1	2	0760629-1	SPRING, LOCKING PIN, BEACHING GEAR
2	1	1003224	ASSY, PULLEY, G-1000
3	1	1004468-12	ASSEMBLY, CABLE, RETRACT, LH
4	1	1004468-13	ASSEMBLY, CABLE, RETRACT, RH
5	2	1004468-17	ASSEMBLY, CABLE, STEERING, INTERMEDIATE
6	1	1005050	ASSEMBLY, WATER RUDDER RET. HANDLE, LOCKING
7	1	1005307	ASSEMBLY, PULLEY, AFT, G-1000
8	1	1005308	ANGLE, DOUBLER, G-1000
9	2	1005499	PULLEY CLUSTER, FUSELAGE, OUTER ASSEMBLY 8750
10	1	1005500	STEERING, PULLEY CLUSTER , FUSELAGE, MAIN 8750
11	1	1005501	RETRACT , IDLER PULLEY, CLUSTER, ASSEMBLY
12	1	1005772	ASSEMBLY, SADDLE PULLEY BRACKET 8750
13	1	1005778	TEMPLATE, DRILL, MLG TUBES
14	1	1006852	ASSEMBLY, LOWER, PULLEY BRACKET
15	2	6121	CLAMP, CABLE
16	1	8A08000-031	ASSEMBLY, CABLE, WATER RUDDER RETRACT
17	2	8A08000-034	ASSEMBLY, CABLE, STEERING
18	1	8A08000-058	ASSEMBLY, PULLEY BRACKET, WATER RUD. RETRACT
19	1	8A08000-148	ASSEMBLY, WATER RUDDER, PULLEY BRACKET
20	1	8A08000-151	ASSEMBLY, WATER RUDDER, PULLEY BRACKET
21	1	8A08002-071	BRACKET, PULLEY, WATER RUDDER
22	1	8A08002-074	BRACKET, PULLEY, WATER RUDDER
23	1	8A08002-077	BRACKET, FAIRLEAD, WATER RUDDER
24	1	8A08002-082	PULLEY BRACKET, UPPER
25	4	8A08492-001	DRAWBAR, SPRING
26	1	8A08537-003	LINK, WATER RUDDER CABLE, LH, NEW STYLE
27	1	8A08540-004	LINK, WATER RUDDER, CABLE, RH, NEW STYLE
28	2	8A12456-007	BUSHING, WATER RUDDER HORN
29	4	AN3-10A	BOLT, 10-32, 0.625 GRIP, UNDRILLED, STEEL
30	2	AN3-11	BOLT, 10-32, 0.75 GRIP, DRILLED SHANK, STEEL
31	12	AN3-25A	BOLT, 10-32, 2.25 GRIP, UNDRILLED, STEEL
32	4	AN3-26A	BOLT, 10-32, 2.375 GRIP, UNDRILLED, STEEL
33	1	AN3-3A	BOLT, 10-32, 0.0625 GRIP, UNDRILLED, STEEL
34	6	AN3-4A	BOLT, 10-32, 0.125 GRIP, UNDRILLED, STEEL
35	1	AN3-5A	BOLT, 10-32, 0.25 GRIP, UNDRILLED, STEEL
36	3	AN3-6A	BOLT, 10-32, 0.375 GRIP, UNDRILLED, STEEL
37	2	AN310-3	NUT, PLAIN, CASTELLATED, AIRFRAME, 10-32
38	1	AN4-30A	BOLT, 1/4-28, 2.5625 GRIP, UNDRILLED, STEEL
39	1	AN525-10R8	SCREW, WASHER HEAD
40	1	AN924-4D	JAM NUT
41	2	MS20392-2C11	CLEVIS PIN

ITEM	QTY	PART NO.	PART DESCRIPTION
42	5	MS21044N3	NUT, LOCKING, REGULAR HEIGHT, 10-32 UNF
43	1	MS21044N4	NUT, LOCKING, REGULAR HEIGHT, 1/4-28 UNF
44	7	MS21047L3	NUT PLATE, FIXED, STEEL, PLAIN, 10-32
45	1	MS21071L3	NUT PLATE
46	5	MS21251B3S	BARREL-TURNBUCKLE, LOCKING CLIP
47	2	MS21254-3LS	EYE END, TURNBUCKLE, CLIP LOCKING
48	10	MS21256-1	LOCKING CLIP-TURNBUCKLE, NOM LGTH 1.12
49	3	MS24566-2B	PULLEY, CONTROL, ANTI-FRICTION BEARING
50	4	MS24665-132	COTTER PIN
51	2	MS24665-283	COTTER PIN
52	1	MS24665-285	COTTER PIN
53	4	NAS1149D0316J	WASHER, 0.203 ID, 0.016 THK, ALUMINUM
54	12	NAS1149D0332J	WASHER, 0.203 ID, 0.032 THK, ALUMINUM
55	4	NAS1149D0363J	WASHER, 0.203 ID, 0.063 THK, ALUMINUM
56	11	NAS1149F0332P	WASHER, 0.203 ID, 0.032 THK, STEEL
57	5	NAS1149F0363P	WASHER, 0.203 ID, 0.063 THK, STEEL
58	2	NAS1149F0432P	WASHER, 0.265 ID, 0.032 THK, STEEL
59	4	P610049	TUBE, POLY FLO, 1/4 CLEAR
60	1	S1130-1	NUT, NYLON
61	1	S1131-1	INSERT, NYLON
62	1	S1132-1	UNION, NYLON
63	6	S338-1	FAIRLEAD, HALF, 1/8 DIA
64	3	S339	CLIP, FAIRLEAD
65 LT.	-	1006397	ASSEMBLY, PULLEY CLUSTER, LEFT FLOAT, 8750
	1	1006395	MOUNT, PULLEY CLUSTER, LEFT
	3	10A01156-179	REINFORCEMENT, PULLEY
	3	10A08339-072	CABLE STOP - STEERING - RETRACT
	3	3A01151-010	PULLEY BRACKET
	3	AN4-10A	BOLT, 1/4-28, 0.5625 GRIP, UNDRILLED, STEEL
	3	MS20219-2	PULLEY
	3	MS21083N4	NUT, LOCKING, LOW HEIGHT, 1/4-28 UNF
	6	NAS1149D0463J	WASHER, 0.265 ID, 0.063 THK, ALUMINUM
	6	MS20426-5	RIVET-FLAT HEAD
65 RT.	-	1006398	ASSEMBLY, PULLEY CLUSTER, RIGHT FLOAT, 8750
	1	1006396	MOUNT, PULLEY CLUSTER, RIGHT
	3	10A01156-179	REINFORCEMENT, PULLEY
	3	10A08339-072	CABLE STOP - STEERING - RETRACT
	3	3A01151-010	PULLEY BRACKET
	3	AN4-10A	BOLT, 1/4-28, 0.5625 GRIP, UNDRILLED, STEEL
	3	MS20219-2	PULLEY
	3	MS21083N4	NUT, LOCKING, LOW HEIGHT, 1/4-28 UNF

PARTS MANUAL
8750 FLOATS ON CESSNA 208 AND 208B

ITEM	QTY	PART NO.	PART DESCRIPTION
	6	NAS1149D0463J	WASHER, 0.265 ID, 0.063 THK, ALUMINUM
	6	MS20426-5	RIVET-FLAT HEAD

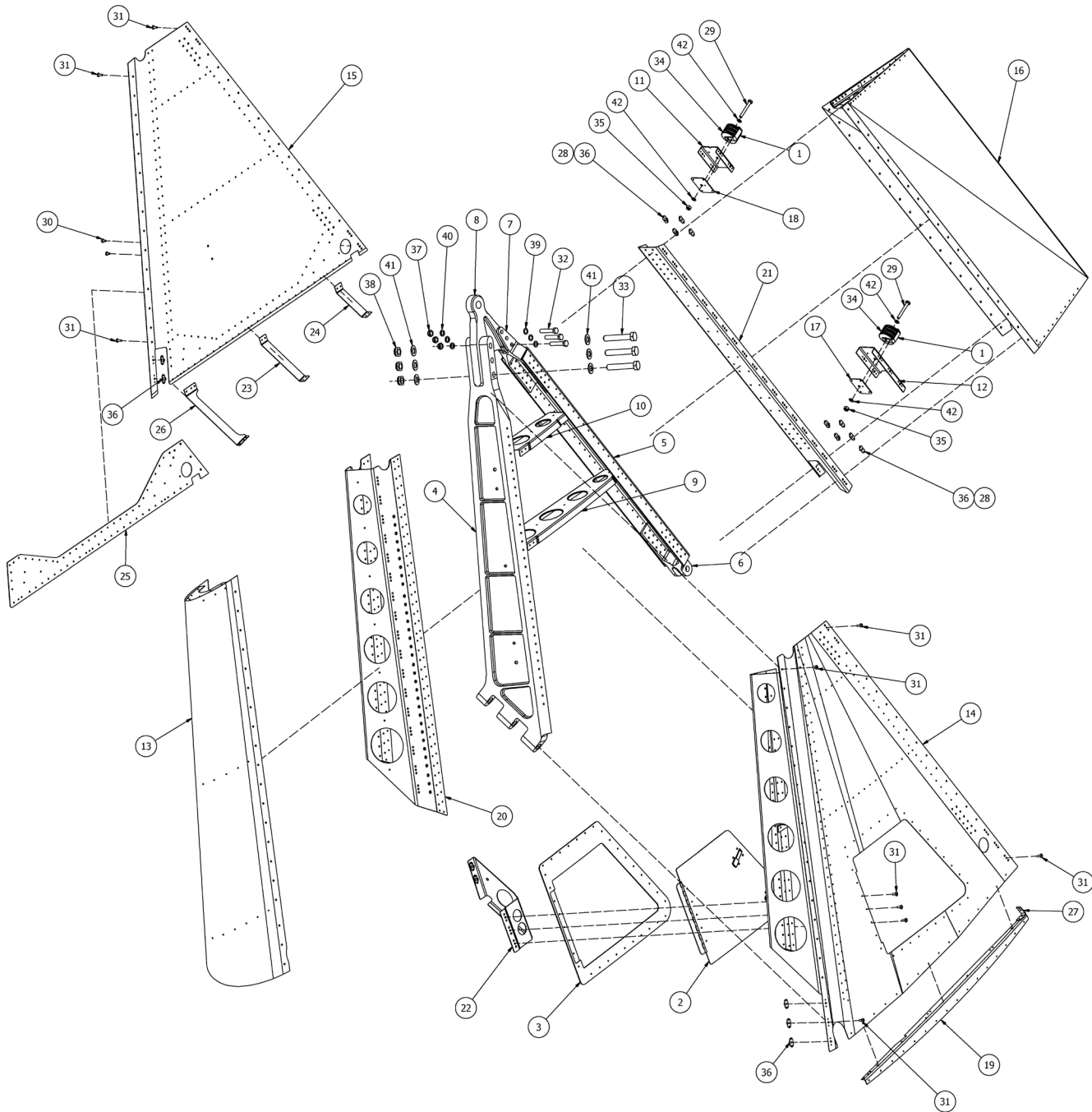
THIS PAGE INTENTIONALLY LEFT BLANK

SECTION 9 PYLON ASSEMBLY

CONTENTS

LEFT PYLON ASSEMBLY	170
RIGHT PYLON ASSEMBLY	173

LEFT PYLON ASSEMBLY

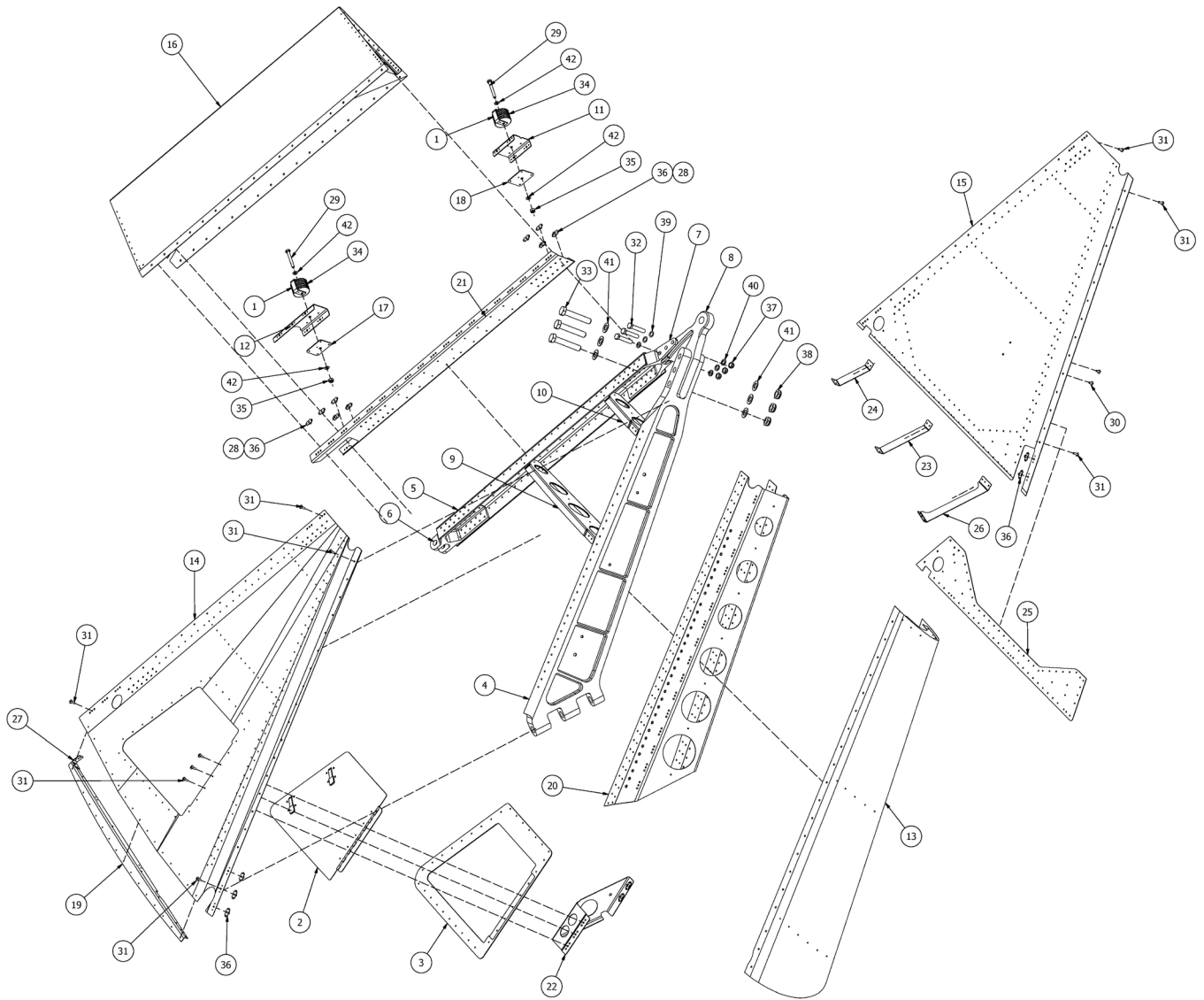


PARTS MANUAL
8750 FLOATS ON CESSNA 208 AND 208B

ITEM	QTY	PART NO.	PART DESCRIPTION
-	1	1005486	ASSEMBLY, PYLON, LEFT
1	2	1003862	GUARD, CABLE, PULLEY BRACKET, PYLON, KODIAK
2	1	1004027	ASSEMBLY, DOOR, ACCESS, LH, PYLON, KODIAK
3	1	1004167	REINFORCEMENT, DOOR, ACCESS, LH, PYLON, KODIAK
4	1	1005315	STRUT, MAIN, PYLON, LH
5	1	1005321	CHANNEL, STRUT, DRAG, LH
6	1	1005323	FITTING, STRUT, DRAG, PYLON, LOWER, LH
7	1	1005324	FITTING, STRUT, DRAG, PYLON, UPPER, LH
8	1	1005327	FITTING, PIVOT, PYLON, LH
9	1	1005331	RIB, PYLON, CENTER, LH
10	1	1005333	RIB, PYLON, UPPER, LH
11	1	1005345	PULLEY BRACKET, PYLON, UPPER, LH
12	1	1005347	PULLEY BRACKET, PYLON, LOWER, LH
13	1	1012094	ASSEMBLY, PYLON, LEADING EDGE, LEFT
	1	1005349	SKIN, PYLON LEADING EDGE, LH
	1	1005363	RIB, TOP, LEADING EDGE, LH
	1	1005365	RIB, MID, LEADING EDGE, LH
	1	1005367	RIB, LOWER, LEADING EDGE, LH
14	1	1005351	SKIN, PYLON, CENTER, OUTBOARD, LH
15	1	1005353	SKIN, PYLON, CENTER, INBOARD, LH
16	1	1012096	ASSEMBLY, PYLON, TRAILING EDGE, LEFT
	1	1005355	SKIN, PYLON, TRAILING EDGE, LH
	1	1005422	RIB, LH PYLON TRAILING EDGE BOTTOM
	1	1005424	RIB, LH PYLON TRAILING EDGE TOP
	1	1009906	DOUBLER, RIB, TOP, PYLON, 8750
	1	1009928	DOUBLER, OUTBOARD, SKIN, FAIRING, PYLON, 8750
	1	1009929	DOUBLER, SKIN, INBOARD, FAIRING, PYLON, 8750
17	1	1005360	DOUBLER, PULLEY BRACKET, PYLON, LOWER
18	1	1005361	DOUBLER, PULLEY BRACKET, PYLON, UPPER
19	1	1005426	STIFFENER, SKIN, PYLON, LH
20	1	1005559	ASSEMBLY, CHANNEL, STRUT, MAIN, LH
21	1	1005579	ASSEMBLY, CHANNEL, STRUT, DRAG, LH
22	1	1009155	ASSEMBLY, OIL RECEPTACLE BRACKET, LH
23	1	1009255	STIFFENER, PYLON, MID, LH
24	1	1009257	STIFFENER, PYLON, AFT, LH
25	1	1009934	DOUBLER, SKIN, CENTER INBOARD, PYLON, 8750
26	1	1009945	STIFFENER, PYLON, FWD, LH
27	1	1009947	ANGLE, CORNER, STIFFENER, PYLON, LH, 8750
28	1	9903-10-36	TINNERMAN TAPE, 1/2" X .005ML
29	2	AN4-20A	BOLT, 1/4-28, 1.5625 GRIP, UNDRILLED, STEEL
30	2	AN526C832R6	SCREW, MACHINE, TRUSS HEAD

ITEM	QTY	PART NO.	PART DESCRIPTION
31	11	AN526C832R8	SCREW, MACHINE, TRUSS HEAD
32	3	AN6-17A	BOLT, 3/8-24, 1.3125 GRIP, UNDRILLED, STEEL
33	3	AN9-30A	BOLT, 9/16-18 THREAD, 2-1/4" GRIP, 5-32/32" LENGTH
34	6	MS20219-2	PULLEY
35	2	MS21044N4	NUT, LOCKING, REGULAR HEIGHT, 1/4-28 UNF
36	14	MS21060L08	NUT PLATE, FLOATING, ST STEEL, PLAIN, 8-32
37	3	MS21083N6	NUT, LOCKING, LOW HEIGHT, 3/8-24 UNF
38	3	MS21083N9	NUT, LOCKING, LOW HEIGHT, 9/16-18 UNF
39	3	NAS1149D0616J	WASHER, 0.39 ID, 0.016 THK, ALUMINUM
40	3	NAS1149D0663J	WASHER, 0.39 ID, 0.063 THK, ALUMINUM
41	6	NAS1149D0963J	WASHER, 0.578 ID, 0.063 THK, ALUMINUM
42	4	NAS1149F0432P	WASHER, 0.265 ID, 0.032 THK, STEEL

RIGHT PYLON ASSEMBLY



ITEM	QTY	PART NO.	PART DESCRIPTION
-	1	1005487	ASSEMBLY, PYLON, RIGHT
1	2	1003862	GUARD, CABLE, PULLEY BRACKET, PYLON, KODIAK
2	1	1004026	ASSEMBLY, DOOR, ACCESS, RH, PYLON, KODIAK
3	1	1004166	REINFORCEMENT, DOOR, ACCESS, RH, PYLON, KODIAK
4	1	1005320	STRUT, MAIN, PYLON, RH
5	1	1005322	CHANNEL, STRUT, DRAG, RH
6	1	1005325	FITTING, STRUT, DRAG, PYLON, LOWER, RH
7	1	1005326	FITTING, STRUT, DRAG, PYLON, UPPER, RH
8	1	1005328	FITTING, PIVOT, PYLON, RH
9	1	1005332	RIB, PYLON, CENTER, RH
10	1	1005334	RIB, PYLON, UPPER, RH
11	1	1005346	PULLEY BRACKET, PYLON, UPPER, RH
12	1	1005348	PULLEY BRACKET, PYLON, LOWER, RH
13	1	1012095	ASSEMBLY, PYLON, LEADING EDGE, RIGHT
	1	1005350	SKIN, PYLON, LEADING EDGE, RH
	1	1005364	RIB, TOP, LEADING EDGE, RH
	1	1005366	RIB, MID, LEADING EDGE, RH
	1	1005368	RIB, LOWER, LEADING EDGE, RH
14	1	1005352	SKIN, PYLON, CENTER, OUTBOARD, RH
15	1	1005354	SKIN, PYLON, CENTER, INBOARD, RH
16	1	1012097	ASSEMBLY, PYLON, TRAILING EDGE, RIGHT
	1	1005356	SKIN, PYLON, TRAILING EDGE, RH
	1	1005423	RIB, RH PYLON TRAILING EDGE BOTTOM
	1	1005425	RIB, RH PYLON TRAILING EDGE TOP
	1	1009907	DOUBLER, RIB, TOP, PYLON, 8750
	1	1009928	DOUBLER, OUTBOARD, SKIN, FAIRING, PYLON, 8750
	1	1009929	DOUBLER, SKIN, INBOARD, FAIRING, PYLON, 8750
17	1	1005360	DOUBLER, PULLEY BRACKET, PYLON, LOWER
18	1	1005361	DOUBLER, PULLEY BRACKET, PYLON, UPPER
19	1	1005427	STIFFENER, SKIN, PYLON, RH
20	1	1005558	ASSEMBLY, CHANNEL, STRUT, MAIN, RH
21	1	1005580	ASSEMBLY, CHANNEL, STRUT, DRAG, RH
22	1	1009156	ASSEMBLY, OIL RECEPTACLE BRACKET, RH
23	1	1009256	STIFFENER, PYLON, MID, RH
24	1	1009258	STIFFENER, PYLON, AFT, RH
25	1	1009935	DOUBLER, SKIN, CENTER INBOARD, PYLON, 8750
26	1	1009946	STIFFENER, PYLON, FWD, RH
27	1	1009948	ANGLE, CORNER, STIFFENER, PYLON, RH, 8750
28	1	9903-10-36	TINNERMAN TAPE, 1/2" X .005ML
29	2	AN4-20A	BOLT, 1/4-28, 1.5625 GRIP, UNDRILLED, STEEL
30	2	AN526C832R6	SCREW, MACHINE, TRUSS HEAD

PARTS MANUAL
8750 FLOATS ON CESSNA 208 AND 208B

ITEM	QTY	PART NO.	PART DESCRIPTION
31	11	AN526C832R8	SCREW, MACHINE, TRUSS HEAD
32	3	AN6-17A	BOLT, 3/8-24, 1.3125 GRIP, UNDRILLED, STEEL
33	3	AN9-30A	BOLT, 9/16-18 THREAD, 2-1/4" GRIP, 5-32/32" LENGTH
34	6	MS20219-2	PULLEY
35	2	MS21044N4	NUT, LOCKING, REGULAR HEIGHT, 1/4-28 UNF
36	14	MS21060L08	NUT PLATE, FLOATING, ST STEEL, PLAIN, 8-32
37	3	MS21083N6	NUT, LOCKING, LOW HEIGHT, 3/8-24 UNF
38	3	MS21083N9	NUT, LOCKING, LOW HEIGHT, 9/16-18 UNF
39	3	NAS1149D0616J	WASHER, 0.39 ID, 0.016 THK, ALUMINUM
40	3	NAS1149D0663J	WASHER, 0.39 ID, 0.063 THK, ALUMINUM
41	6	NAS1149D0963J	WASHER, 0.578 ID, 0.063 THK, ALUMINUM
42	4	NAS1149F0432P	WASHER, 0.265 ID, 0.032 THK, STEEL

THIS PAGE INTENTIONALLY LEFT BLANK

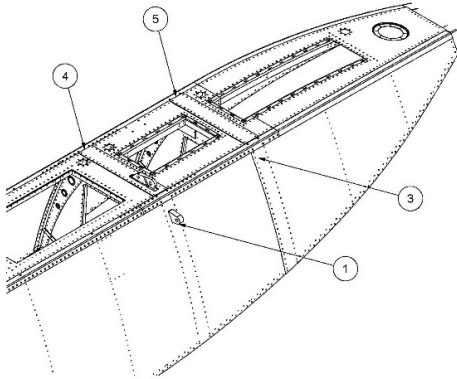
SECTION 10

STRUTS & STEPS

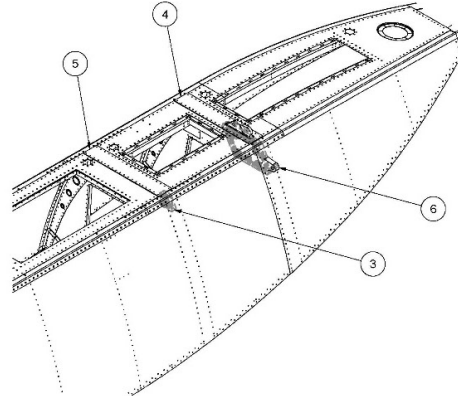
CONTENTS

FWD STRUT FITTING INSTALLATION	178
STRUTS INSTALLATION (208 ONLY).....	180
STRUTS INSTALLATION (208B ONLY)	184
STEPS INSTALLATION (208 ONLY).....	187
STEPS INSTALLATION (208B ONLY).....	192

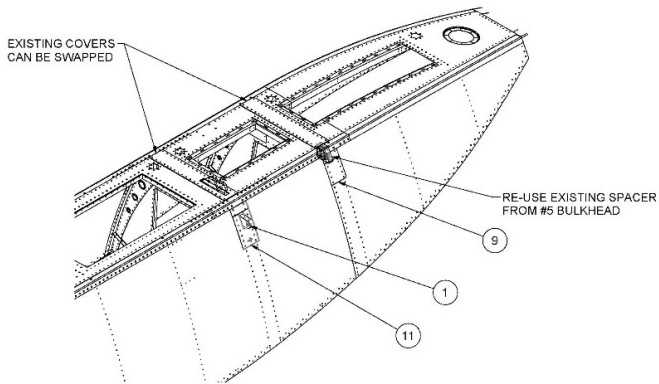
FWD STRUT FITTING INSTALLATION



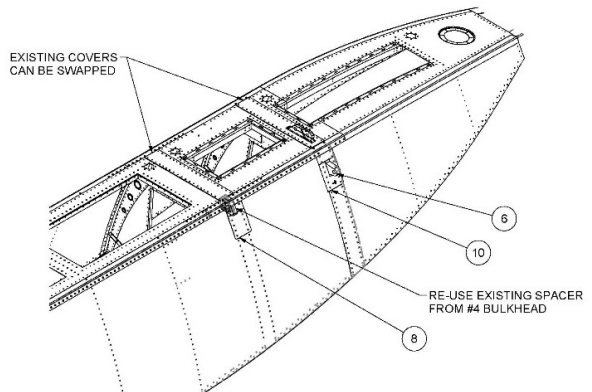
1006040-01
FACTORY INSTALL, 8750 FWD STRUT FITTING, 208
SCALE 1 / 12



1006040-02
FACTORY INSTALL, 8750 FWD STRUT FITTING, 208B
SCALE 1 / 12



1006040-03
CONVERSION KIT, 8750 FWD STRUT FITTING, 208B TO 208
SCALE 1 / 12

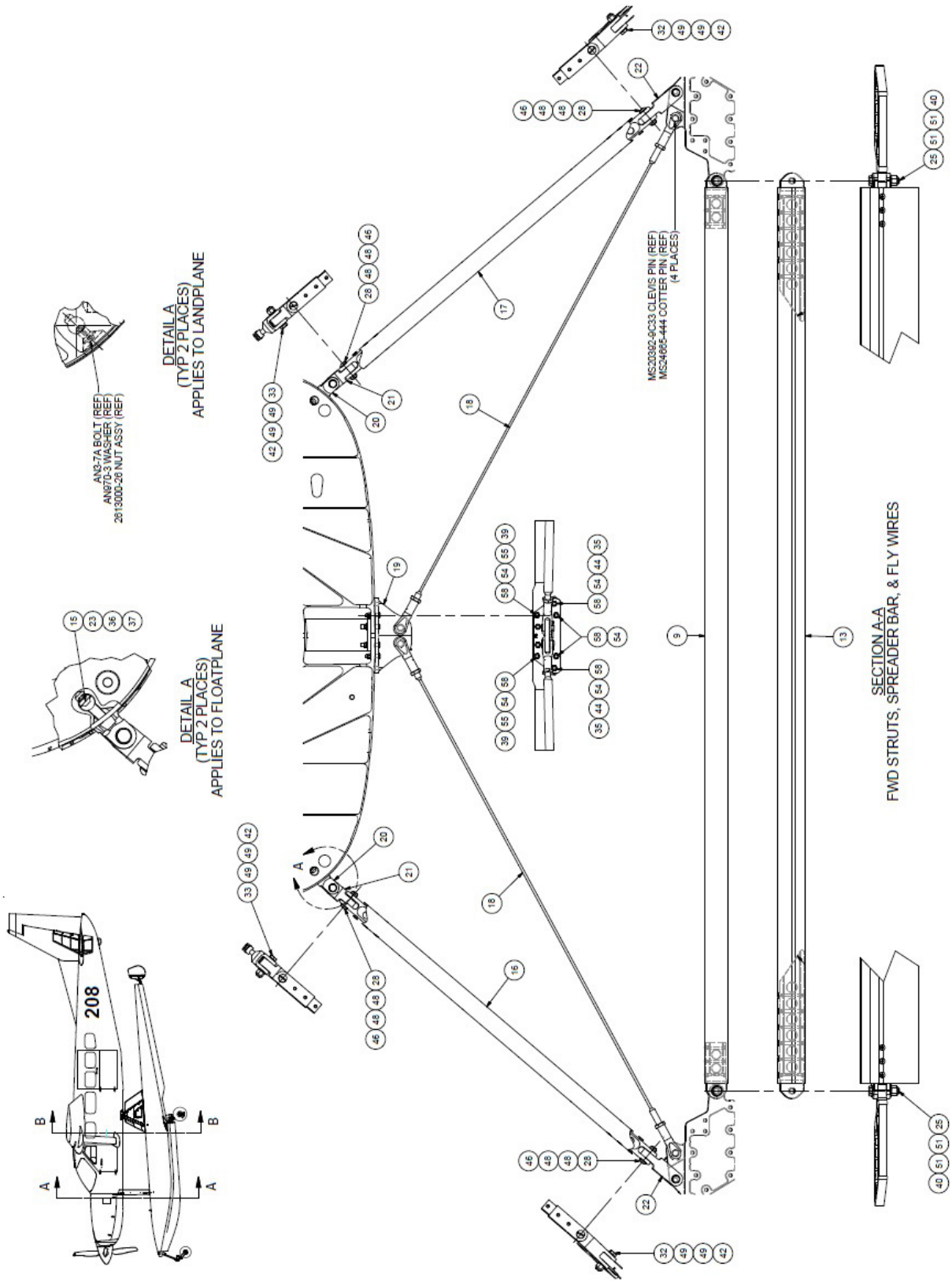


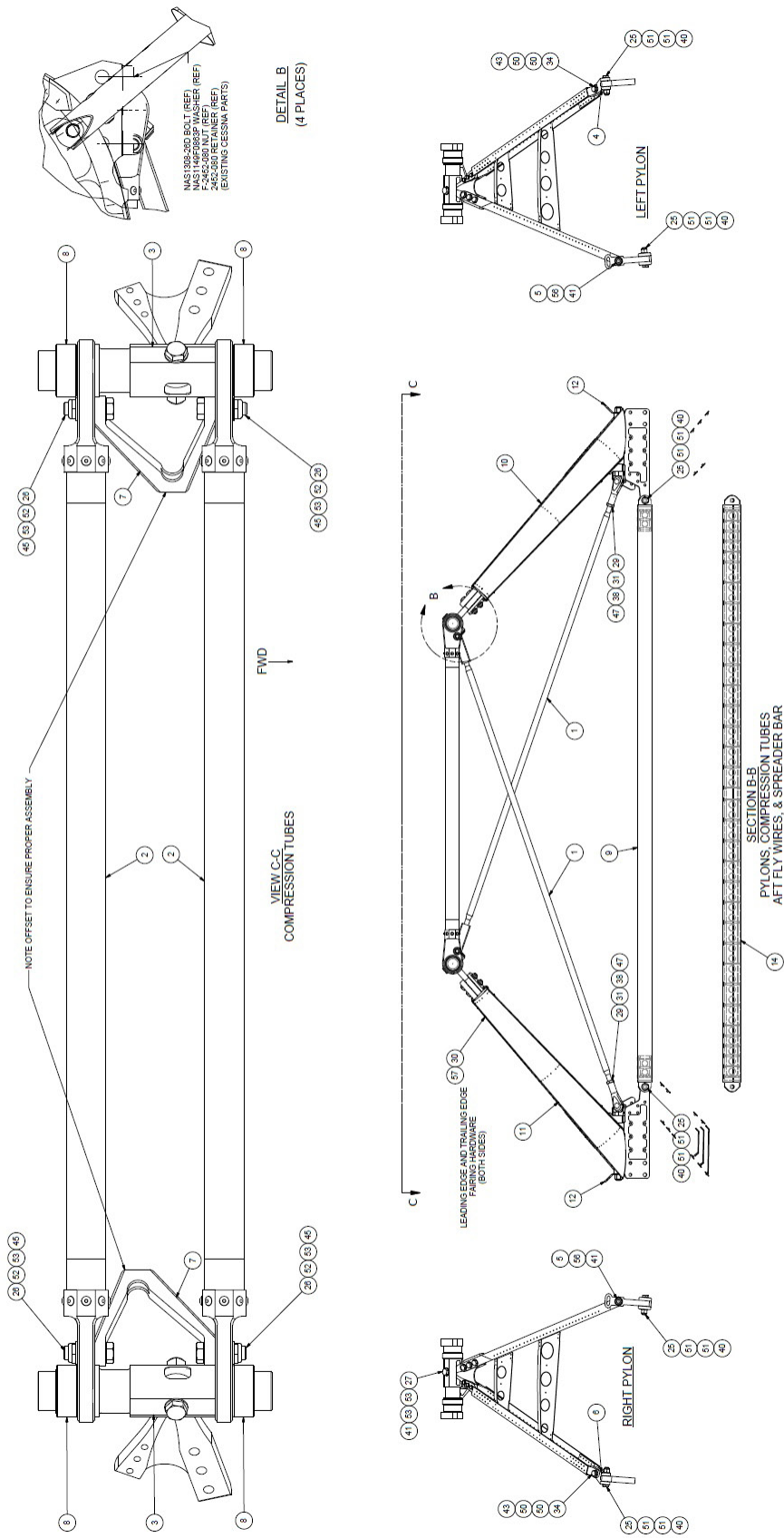
1006040-04
CONVERSION KIT, 8750 FWD STRUT FITTING, 208 TO 208B
SCALE 1 / 12

PARTS MANUAL
8750 FLOATS ON CESSNA 208 AND 208B

ITEM	QTY	PART NO.	PART DESCRIPTION
-	1	1006040	INSTALLATION, FWD STRUT FITTING, 208 & 208B
1	1	1006217	FITTING, STRUT, FWD, BH05, LEFT FLOAT
2	1	1006218	FITTING, STRUT, FWD, BH05, RIGHT FLOAT
3	2	1006329	SPACER, BATHTUB
4	2	1006387	COVER, TOPDECK, FITTING, BH04 & BH05
5	2	1006388	COVER, TOPDECK, BH04 & BH05
6	1	1006473	FITTING, STRUT, FWD, BH04, LEFT FLOAT
7	1	1006474	FITTING, STRUT, FWD, BH04, RIGHT FLOAT
8	2	1008115	COVER, SIDESKIN FITTING CUTOUT, 8750 BH05
9	2	1008117	COVER, SIDESKIN FITTING CUTOUT, 8750 BH04
10	1	1008122	TEMPLATE, 8750-208B STRUT FITTING CUTOUT
11	1	1008123	TEMPLATE, 8750-208 STRUT FITTING CUTOUT
12	16	AN6-16A	BOLT, 3/8-24, 1.1875 GRIP, UNDRILLED, STEEL
13	16	AN6-17A	BOLT, 3/8-24, 1.3125 GRIP, UNDRILLED, STEEL
14	6	AN6-20A	BOLT, 3/8-24, 1.438 GRIP, UNDRILLED, STEEL
15	6	AN6-24A	BOLT, 3/8-24, 1.9375 GRIP, UNDRILLED, STEEL
16	44	MS21044N6	NUT, LOCKING, REGULAR HEIGHT, 3/8-24 UNF
17	44	NAS1149D0616J	WASHER, 0.39 ID, 0.016 THK, ALUMINUM
18	44	NAS1149D0663J	WASHER, 0.39 ID, 0.063 THK, ALUMINUM

STRUTS INSTALLATION (208 ONLY)



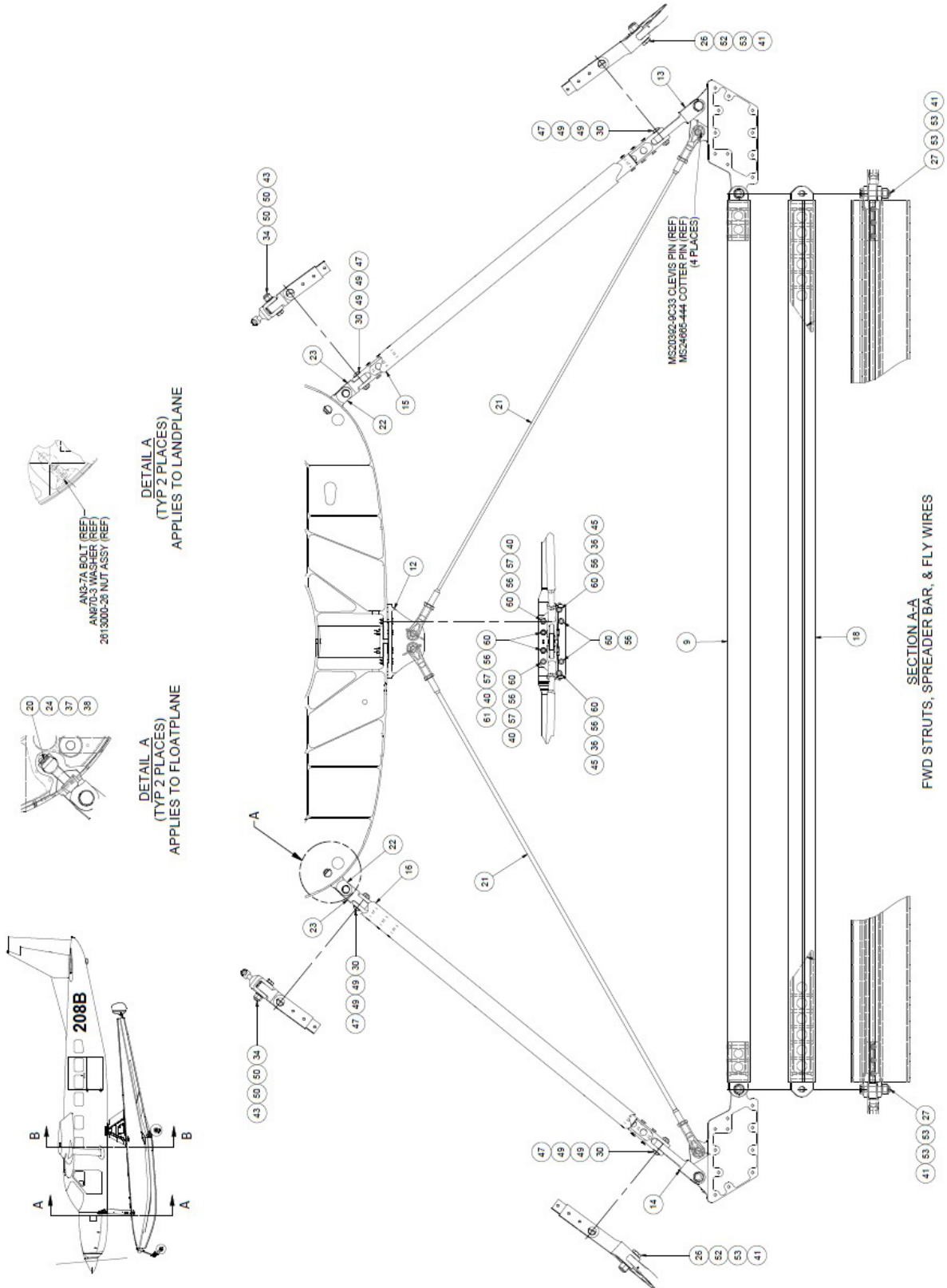


ITEM	QTY	PART NO.	PART DESCRIPTION
1	2	1003448	FLY WIRE, REAR
2	2	1005312	ASSEMBLY, COMPRESSION TUBE, 208-208B
3	2	1005313	FITTING, GEAR JOURNAL
4	1	1005314	FITTING, PYLON ATTACH, AFT, LEFT
5	2	1005318	BOLT, PYLON, .750-16 UNF, 10" GRIP
6	1	1005319	FITTING, PYLON ATTACH, AFT, RIGHT
7	2	1005329	WIRE PULL, AFT, 208-208B ON 8750
8	4	1005339	SPACER, 208 GEAR JOURNAL
9	2	1005341	ASSEMBLY, SPREADER BAR, 8750
10	1	1005486	ASSEMBLY, PYLON, LEFT, 8750
11	1	1005487	ASSEMBLY, PYLON, RIGHT, 8750
12	2	1008958	BRACKET, ROPE RING, 8750
13	1	1009416	ASSEMBLY, SPRDR BAR, FWD, LIFT SUPPORT, 8750S
14	1	1009464	ASSEMBLY, SPRDR BAR, AFT, LIFT SUPPORT, 8750S
15	2	2452-080RET	RETAINER, BARREL NUT
16	1	8A02000-036	ASSEMBLY, STRUT, FWD, RIGHT
17	1	8A02000-037	ASSEMBLY, STRUT, FWD, LEFT
18	2	8A02000-043	ASSEMBLY, FLYWIRE, 5/8-18, 60.75 ROD
19	1	8A02100-003	FITTING, FRONT BRACE WIRE
20	2	8A02195-006	FITTING, FRONT STRUT, FUSELAGE
21	2	8A02198-012	FITTING - FRONT STRUT - UPPER END
22	2	8A02198-013	FITTING - FRONT STRUT - LOWER
23	2	8A02458-003	BARREL NUT, LOCKING
24	2	8A02458-004	BARREL NUT, LOCKING
25	6	AN10-27A	BOLT, 5/8-18, 2.0625 GRIP, UNDRILLED, STEEL
26	4	AN12-22A	BOLT, 3/4-16, 1.3125 GRIP, UNDRILLED, STEEL
27	2	AN12-36A	BOLT, 3/4-16, 2.8125 GRIP, UNDRILLED, STEEL
28	4	AN28-30A	BOLT, CLEVIS
29	2	AN316C12L	NUT
30	138	AN526C832R8	SCREW, MACHINE, TRUSS HEAD
31	2	AN665-430LS	TERMINAL, FLY WIRE
32	2	AN8-22A	BOLT, 1/2-20, 1.5625 GRIP, UNDRILLED, STEEL
33	2	AN8-23A	BOLT, 1/2-20, 1.6875 GRIP, UNDRILLED, STEEL
34	2	AN9-23A	BOLT, 9/16-18, 1.625 GRIP, UNDRILLED, STEEL
35	4	CR3212-4-9	RIVET, CHERRYMAX, FLAT HEAD
36	2	MS20002C8	WASHER, HIGH STRENGTH, COUNTERSINK, 1/2
37	2	MS20008-15	BOLT, INTERNAL WRENCHING
38	2	MS20392-10C41	CLEVIS PIN
39	4	MS21042L6	NUT, SELF LOCKING, 450 DEGREES, 3/8-24 UNF
40	6	MS21044N10	NUT, LOCKING, REGULAR HEIGHT, 5/8-18 UNF
41	4	MS21044N12	NUT, LOCKING, REGULAR HEIGHT, 3/4-16 UNF

PARTS MANUAL
8750 FLOATS ON CESSNA 208 AND 208B

ITEM	QTY	PART NO.	PART DESCRIPTION
42	4	MS21044N8	NUT, LOCKING, REGULAR HEIGHT, 1/2-20 UNF
43	2	MS21044N9	NUT, LOCKING, REGULAR HEIGHT, 9/16-18 UNF
44	2	MS21071L6	NUT PLATE
45	4	MS21083N12	NUT, LOCKING, LOW HEIGHT, 3/4-16 UNF
46	4	MS21083N8	NUT, LOCKING, LOW HEIGHT, 1/2-20 UNF
47	2	MS24665-444	COTTER PIN
48	8	NAS1149D0816J	WASHER, 0.515 ID, 0.016 THK, ALUMINUM
49	8	NAS1149D0863J	WASHER, 0.515 ID, 0.063 THK, ALUMINUM
50	4	NAS1149D0963J	WASHER, 0.578 ID, 0.063 THK, ALUMINUM
51	12	NAS1149D1063J	WASHER, 0.64 ID, 0.063 THK, ALUMINUM
52	4	NAS1149D1216J	WASHER, 0.765 ID, 0.016 THK, ALUMINUM
53	8	NAS1149D1290J	WASHER, 0.765 ID, 0.09 THK, ALUMINUM
54	8	NAS1149F0616P	WASHER, 0.39 ID, 0.016 THK, STEEL
55	4	NAS1149F0663P	WASHER, 0.39 ID, 0.063 THK, STEEL
56	2	NAS1149F1232P	WASHER, 0.765 ID, 0.032 THK, STEEL
57	138	NAS1515-H-08L	WASHER, NYLON, #8
58	8	NAS6606-13	BOLT, HEX HEAD, CLOSE TOLERANCE
59	2	NAS6606-22	BOLT, HEX HEAD, CLOSE TOLERANCE

STRUTS INSTALLATION (208B ONLY)

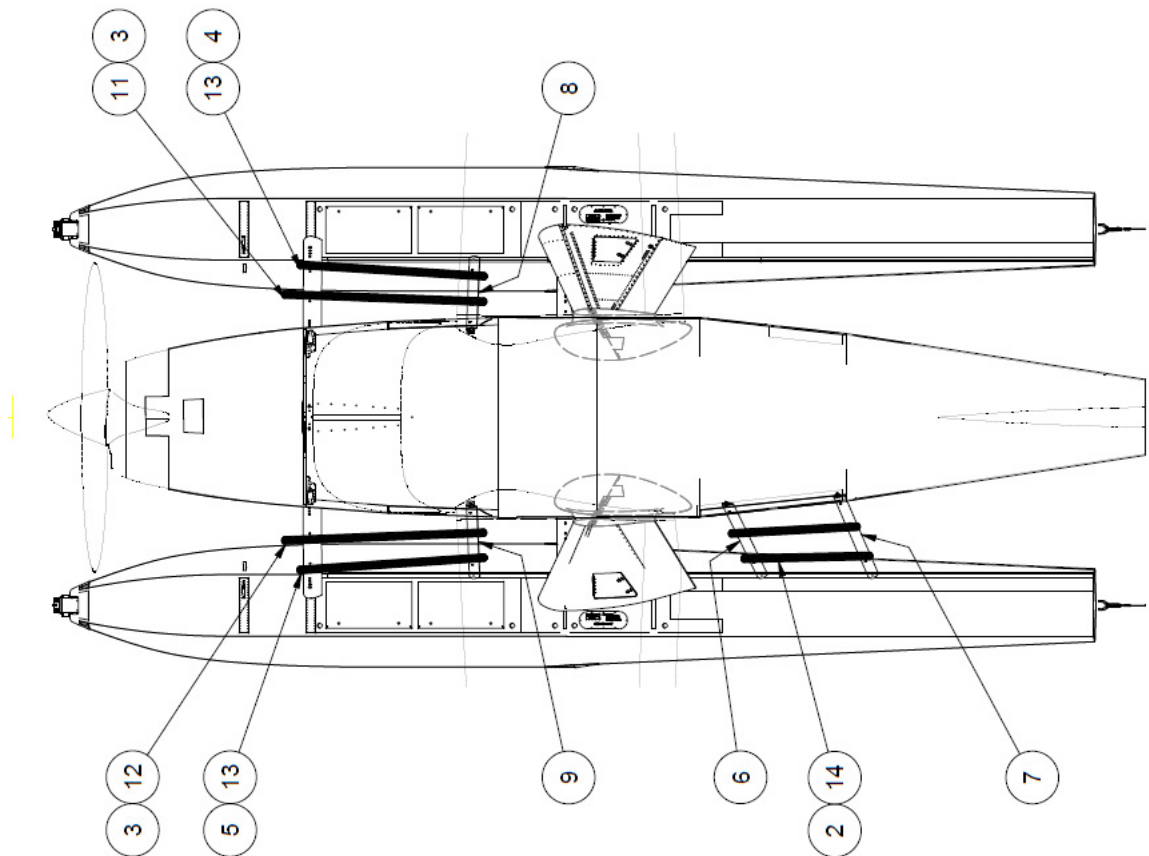
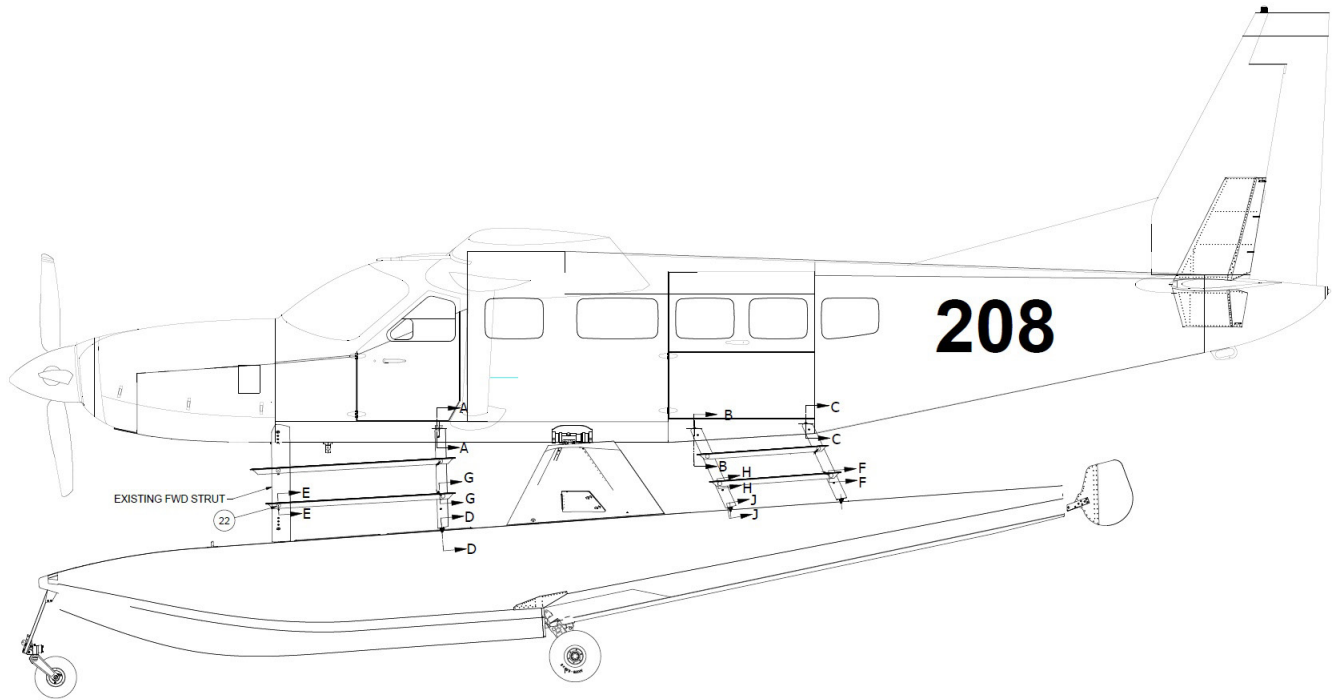


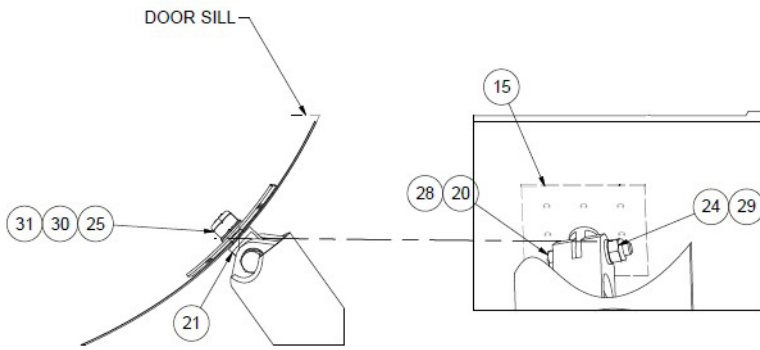
PARTS MANUAL
8750 FLOATS ON CESSNA 208 AND 208B

ITEM	QTY	PART NO.	PART DESCRIPTION
1	2	1003448	FLY WIRE, REAR
2	2	1005312	ASSEMBLY, COMPRESSION TUBE, 208-208B
3	2	1005313	FITTING, GEAR JOURNAL
4	1	1005314	FITTING, PYLON ATTACH, AFT, LEFT
5	2	1005318	BOLT, PYLON, .750-16 UNF, 10" GRIP
6	1	1005319	FITTING, PYLON ATTACH, AFT, RIGHT
7	2	1005329	WIRE PULL, AFT, 208-208B ON 8750
8	4	1005339	SPACER, 208 GEAR JOURNAL
9	2	1005341	ASSEMBLY, SPREADER BAR, 8750
10	1	1005486	ASSEMBLY, PYLON, LEFT, 8750
11	1	1005487	ASSEMBLY, PYLON, RIGHT, 8750
12	1	1005597	FITTING, FRONT BRACE WIRE, 208B
13	1	1005598	FITTING, STRUT ATTACH, FWD, LOWER, LEFT
14	1	1005599	FITTING, STRUT ATTACH, FWD, LOWER, RIGHT
15	1	1005605	ASSEMBLY, STRUT, FWD, LEFT, 208B
16	1	1005606	ASSEMBLY, STRUT, FWD, RIGHT, 208B
17	2	1008958	BRACKET, ROPE RING, 8750
18	1	1009416	ASSEMBLY, SPRDR BAR, FWD, LIFT SUPPORT, 8750S
19	1	1009464	ASSEMBLY, SPRDR BAR, AFT, LIFT SUPPORT, 8750S
20	2	2452-080RET	RETAINER, BARREL NUT
21	2	8A02000-043	ASSEMBLY, FLYWIRE, 5/8-18, 60.75 ROD
22	2	8A02195-006	FITTING, FRONT STRUT, FUSELAGE
23	2	8A02198-012	FITTING - FRONT STRUT - UPPER END
24	2	8A02458-003	BARREL NUT, LOCKING
25	2	8A02458-004	BARREL NUT, LOCKING
26	2	AN10-22A	BOLT
27	6	AN10-27A	BOLT, 5/8-18, 2.0625 GRIP, UNDRILLED, STEEL
28	4	AN12-22A	BOLT, 3/4-16, 1.3125 GRIP, UNDRILLED, STEEL
29	2	AN12-36A	BOLT, 3/4-16, 2.8125 GRIP, UNDRILLED, STEEL
30	4	AN28-30A	BOLT, CLEVIS
31	2	AN316C12L	NUT
32	138	AN526C832R8	SCREW, MACHINE, TRUSS HEAD
33	2	AN665-430LS	TERMINAL, FLY WIRE
34	2	AN8-23A	BOLT, 1/2-20, 1.6875 GRIP, UNDRILLED, STEEL
35	2	AN9-23A	BOLT, 9/16-18, 1.625 GRIP, UNDRILLED, STEEL
36	4	CR3212-4-9	RIVET, CHERRYMAX, FLAT HEAD
37	2	MS20002C8	WASHER, HIGH STRENGTH, COUNTERSINK, 1/2
38	2	MS20008-15	BOLT, INTERNAL WRENCHING
39	2	MS20392-10C41	CLEVIS PIN
40	4	MS21042L6	NUT, SELF LOCKING, 450°, 3/8-24 UNF
41	8	MS21044N10	NUT, LOCKING, REGULAR HEIGHT, 5/8-18 UNF

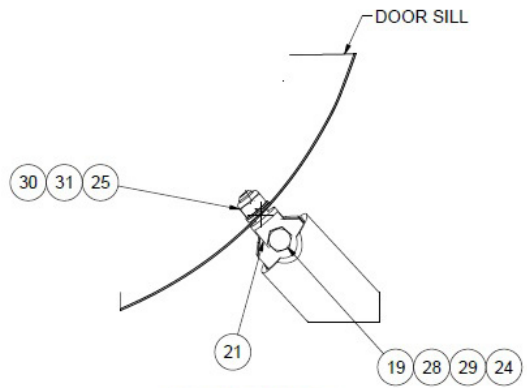
ITEM	QTY	PART NO.	PART DESCRIPTION
42	4	MS21044N12	NUT, LOCKING, REGULAR HEIGHT, 3/4-16 UNF
43	2	MS21044N8	NUT, LOCKING, REGULAR HEIGHT, 1/2-20 UNF
44	2	MS21044N9	NUT, LOCKING, REGULAR HEIGHT, 9/16-18 UNF
45	2	MS21071L6	NUT PLATE
46	4	MS21083N12	NUT, LOCKING, LOW HEIGHT, 3/4-16 UNF
47	4	MS21083N8	NUT, LOCKING, LOW HEIGHT, 1/2-20 UNF
48	2	MS24665-444	COTTER PIN
49	8	NAS1149D0816J	WASHER, 0.515 ID, 0.016 THK, ALUMINUM
50	4	NAS1149D0863J	WASHER, 0.515 ID, 0.063 THK, ALUMINUM
51	4	NAS1149D0963J	WASHER, 0.578 ID, 0.063 THK, ALUMINUM
52	2	NAS1149D1016J	WASHER, 0.64 ID, 0.016 THK, ALUMINUM
53	14	NAS1149D1063J	WASHER, 0.64 ID, 0.063 THK, ALUMINUM
54	4	NAS1149D1216J	WASHER, 0.765 ID, 0.016 THK, ALUMINUM
55	8	NAS1149D1290J	WASHER, 0.765 ID, 0.09 THK, ALUMINUM
56	8	NAS1149F0616P	WASHER, 0.39 ID, 0.016 THK, STEEL
57	4	NAS1149F0663P	WASHER, 0.39 ID, 0.063 THK, STEEL
58	2	NAS1149F1232P	WASHER, 0.765 ID, 0.032 THK, STEEL
59	138	NAS1515-H-08L	WASHER, NYLON, #8
60	8	NAS6606-13	BOLT, HEX HEAD, CLOSE TOLERANCE
61	2	NAS6606-22	BOLT, HEX HEAD, CLOSE TOLERANCE (REF)

STEPS INSTALLATION (208 ONLY)

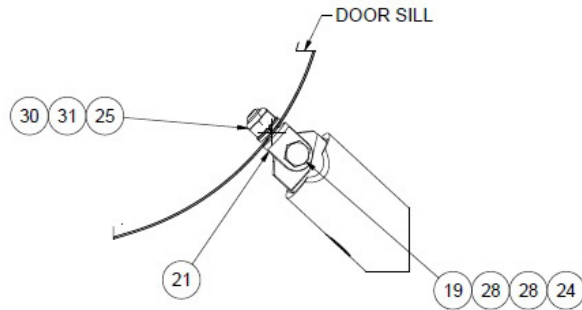




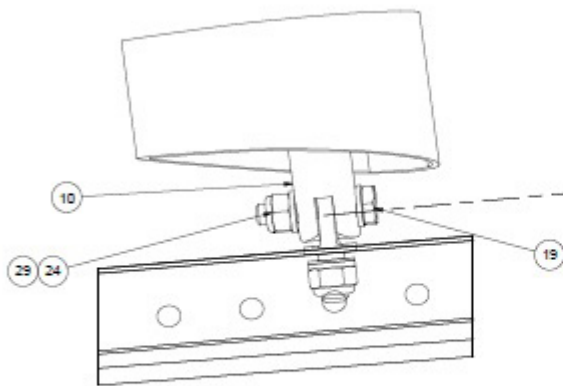
SECTION A-A
PILOT-CO-PILOT STEP-STRUT
EYEBOLT INSTALLATION



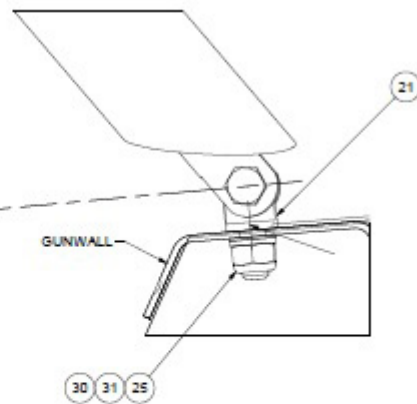
SECTION B-B
CARGO DOOR FWD STEP STRUT
EYEBOLT INSTALLATION



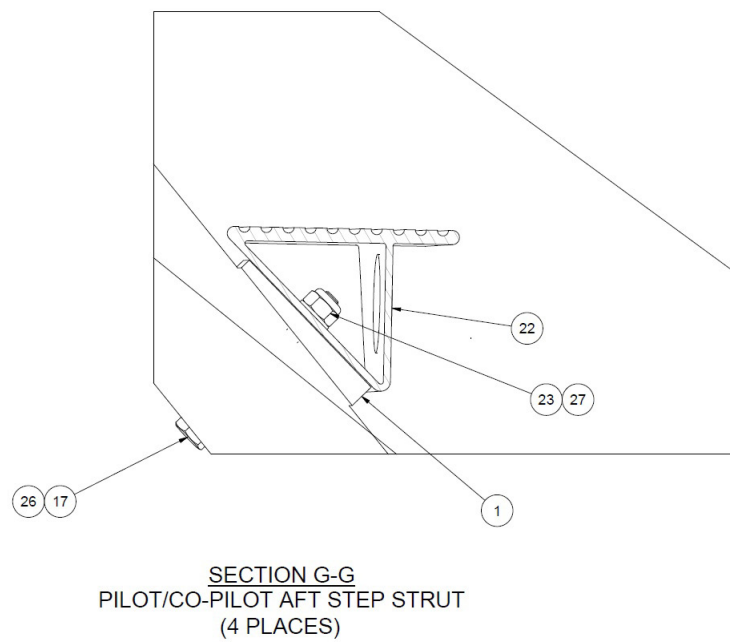
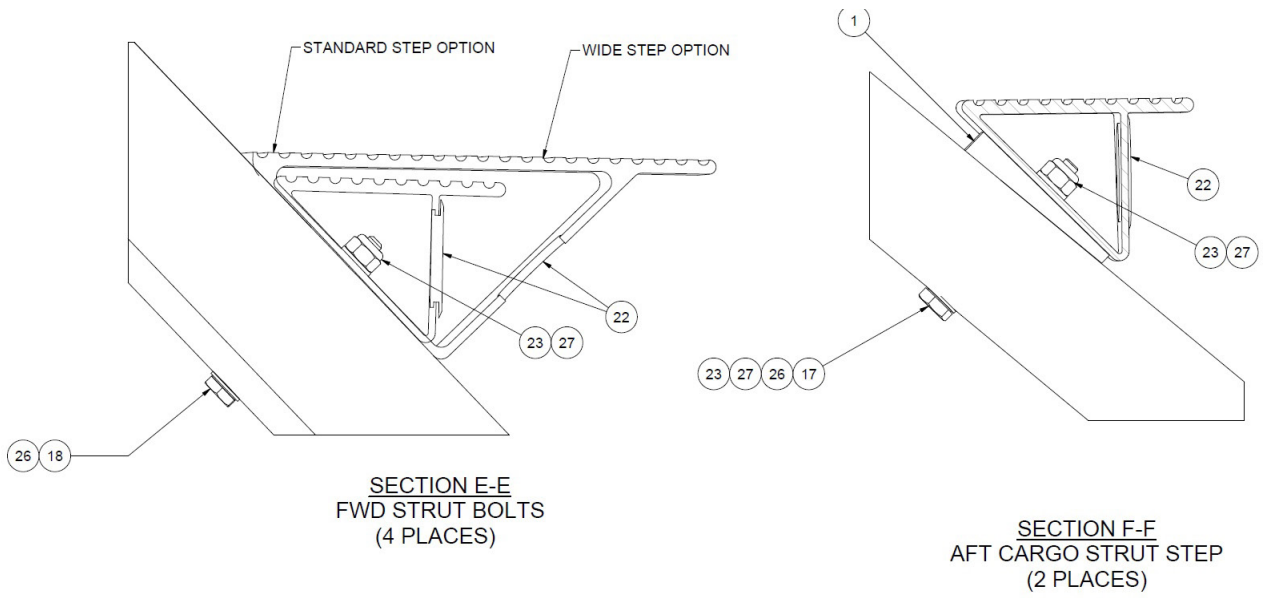
SECTION C-C
CARGO DOOR AFT STEP STRUT
EYEBOLT INSTALLATION

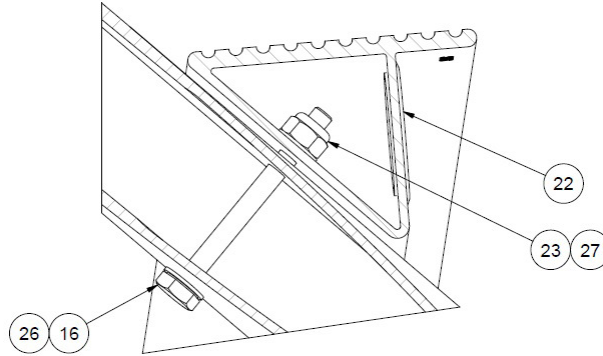


STRUT TO FLOAT DECK INSTALLATION
(4 PLACES)

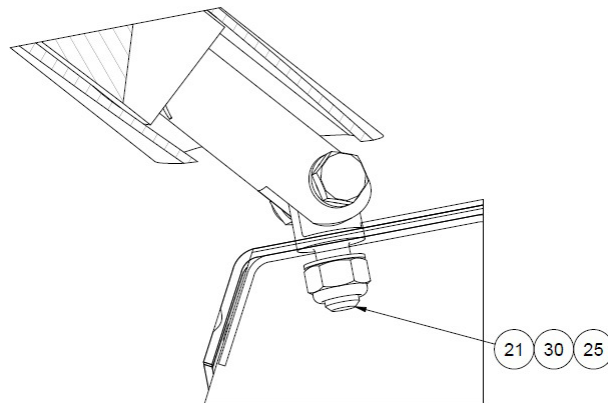


SECTION D-D
FLOAT DECK EYEBOLT INSTALLATION
PILOT/CO-PILOT/AFT CARGO STEP
(3 PLACES)





SECTION H-H
FWD CARGO STRUT STEP
(2 PLACES)

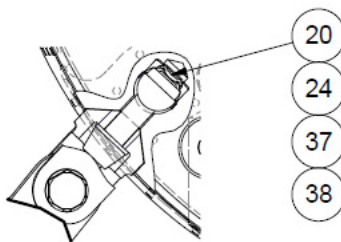
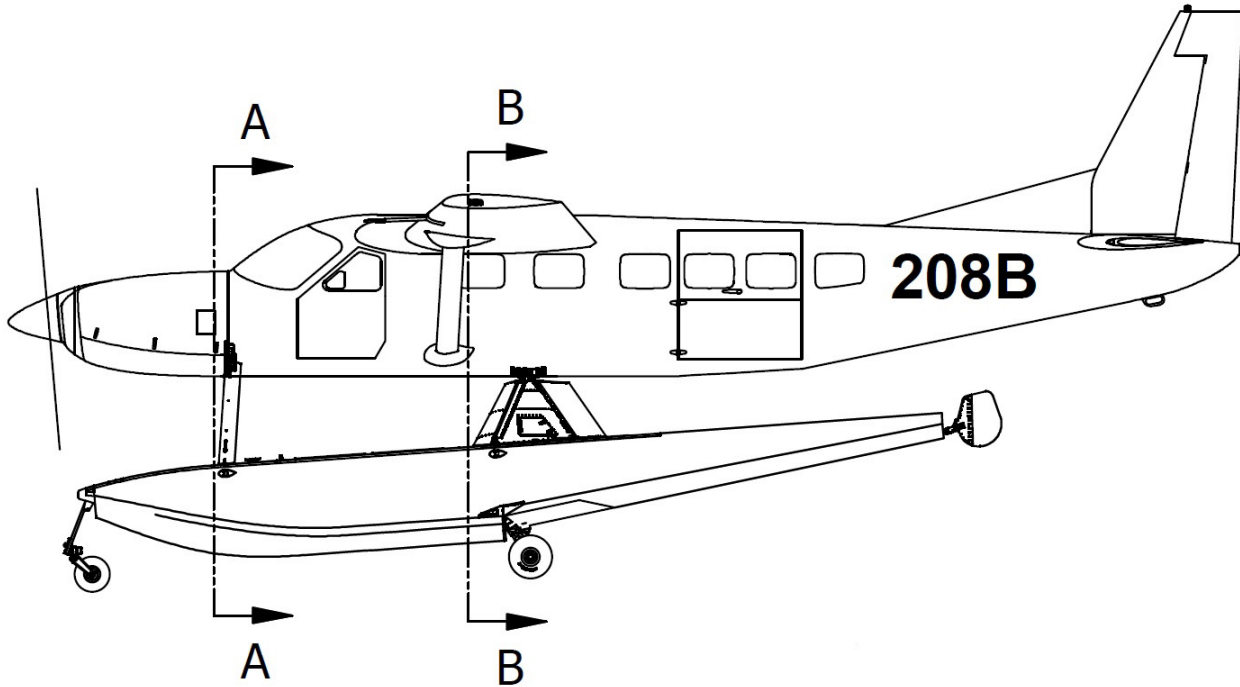


SECTION J-J
FLOAT DECK EYEBOLT INSTALLATION
FWD CARGO STRUT

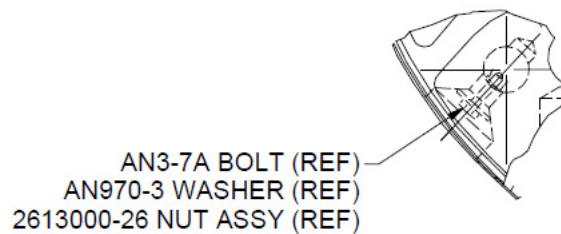
PARTS MANUAL
8750 FLOATS ON CESSNA 208 AND 208B

ITEM	QTY	PART NO.	PART DESCRIPTION
1	6	1002753	WEDGE, STEP STRUT, 5 DEG, DHC6
2	2	1005297	WIDE STEP, PILOT SIDE, CARGO, C-208
3	1	1006887	STEP, WIDE, FORWARD, TOP, LH
4	1	1006888	STEP, WIDE, FORWARD, TOP, RH
5	2	1006889	STEP, WIDE, FORWARD, LOWER, LH
6	1	8A02000-061	ASSEMBLY, STEP STRUT, FWD, CARGO
7	1	8A02000-062	ASSEMBLY, STEP STRUT, AFT, CARGO
8	1	8A02000-085	ASSY, STEP STRUT, CO-PILOT
9	1	8A02000-086	ASSY, STEP STRUT, PILOT
10	4	8A02273-007	ROD, SLIDE, FLOAT
11	1	8A02369-002	STEP, FORWARD, TOP, RH
12	1	8A02369-003	STEP, FORWARD, TOP, LH
13	2	8A02369-004	STEP, FORWARD, LOWER, LH
14	2	8A02369-005	STEP, CARGO
15	2	8A12008-127	DOUBLER, FUSELAGE, STEP STRUT
16	2	AN3-20A	BOLT, 10-32, 1.625 GRIP, UNDRILLED, STEEL
17	6	AN3-21A	BOLT, 10-32, 1.75 GRIP, UNDRILLED, STEEL
18	4	AN3-23A	BOLT
19	6	AN4-12A	BOLT, 1/4-28, 0.8125 GRIP, UNDRILLED, STEEL
20	2	AN4-14A	BOLT, 1/4-28, 1.0625 GRIP, UNDRILLED, STEEL
21	8	AN44-4A	EYE BOLT
22	12	BPF	HOLE PLUG, 1"
23	12	MS21044N3	NUT, LOCKING, REGULAR HEIGHT, 10-32 UNF
24	8	MS21044N4	NUT, LOCKING, REGULAR HEIGHT, 1/4-28 UNF
25	8	MS21044N5	NUT, LOCKING, REGULAR HEIGHT, 5/16-24 UNF
26	12	NAS1149F0332P	WASHER, 0.203 ID, 0.032 THK, STEEL
27	12	NAS1149F0363P	WASHER, 0.203 ID, 0.063 THK, STEEL
28	5	NAS1149F0432P	WASHER, 0.265 ID, 0.032 THK, STEEL
29	11	NAS1149F0463P	WASHER, 0.265 ID, 0.063 THK, STEEL
30	8	NAS1149F0532P	WASHER, 0.328 ID, 0.032 THK, STEEL
31	7	NAS1149F0563P	WASHER, 0.328 ID, 0.063 THK, STEEL

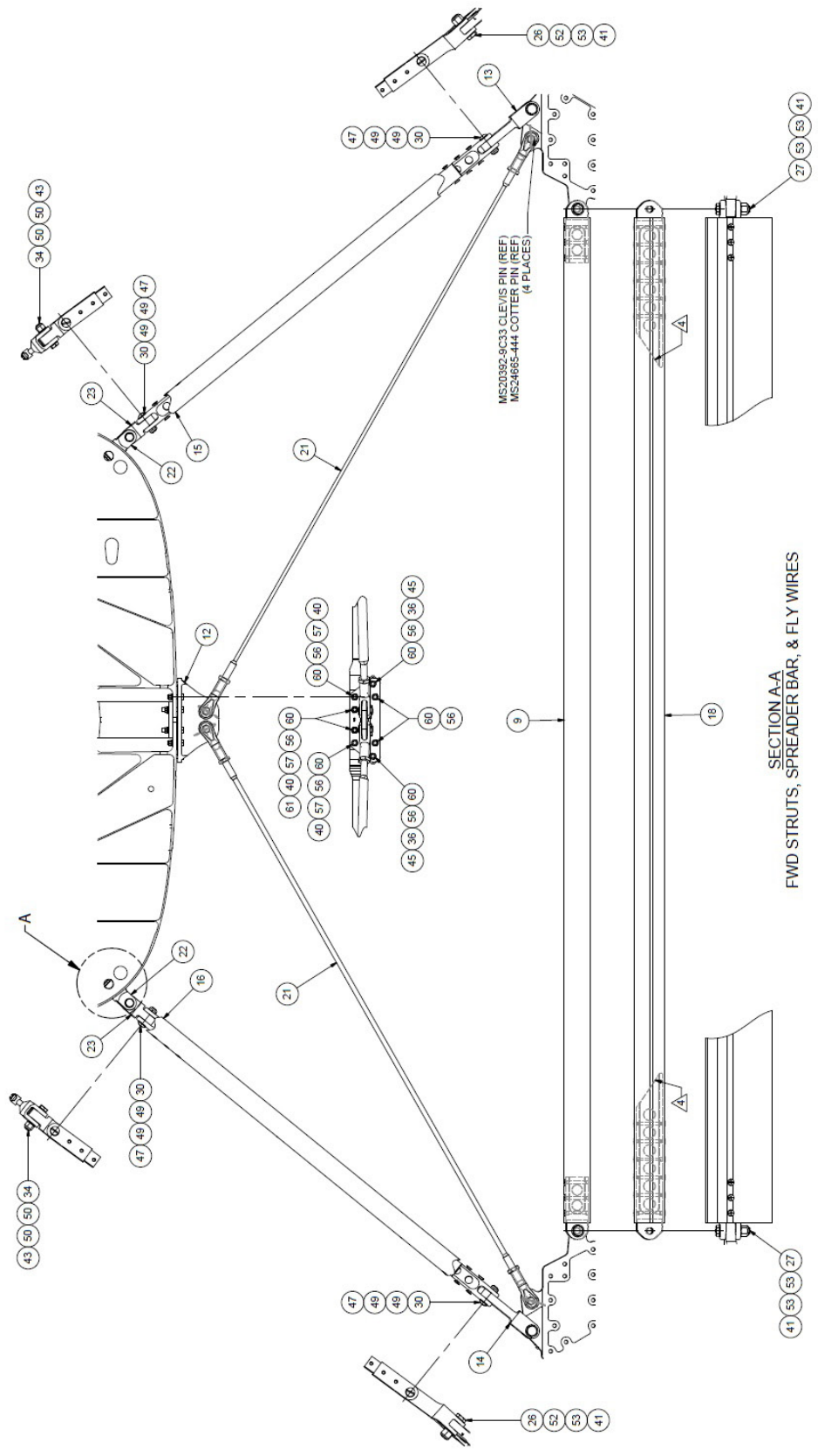
STEPS INSTALLATION (208B ONLY)

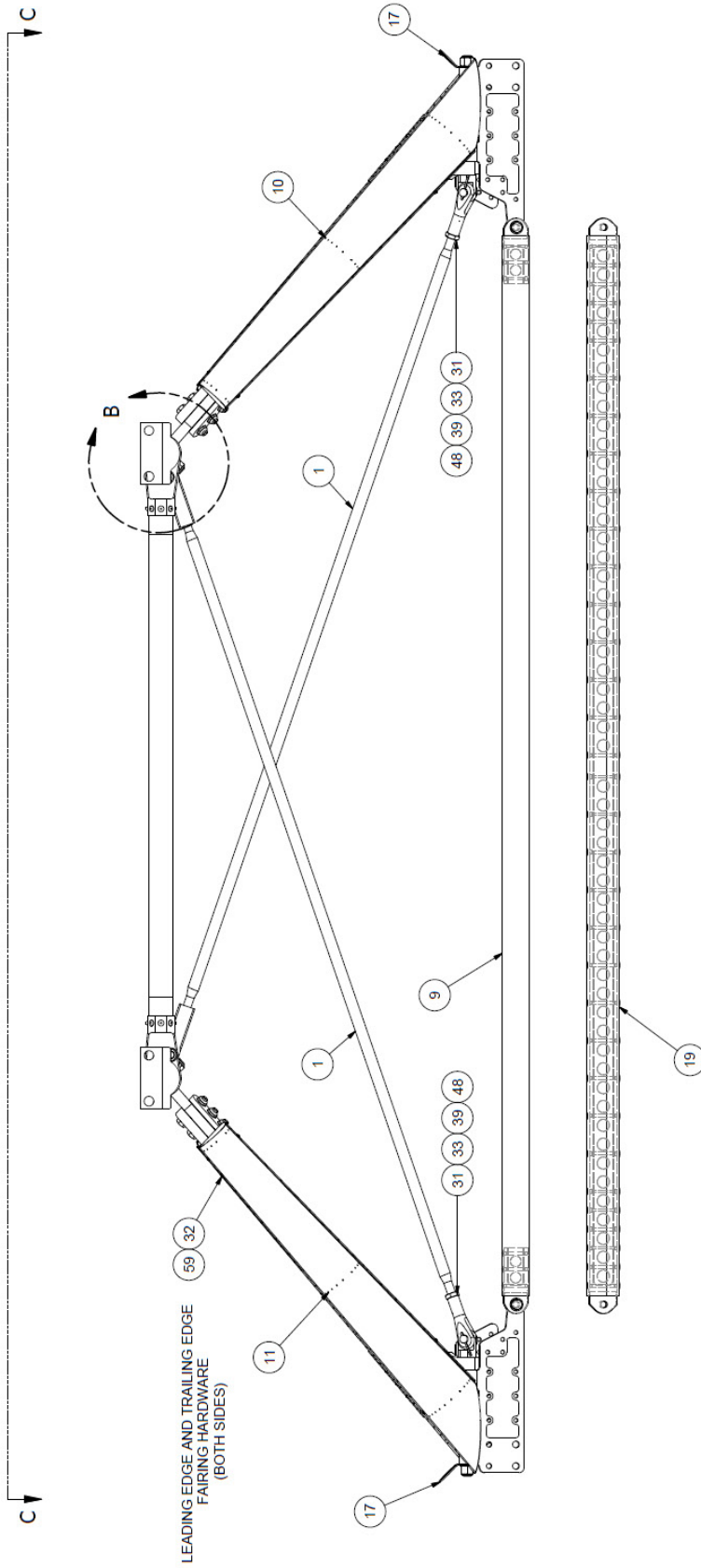


DETAIL A
(TYP 2 PLACES)
APPLIES TO FLOATPLANE

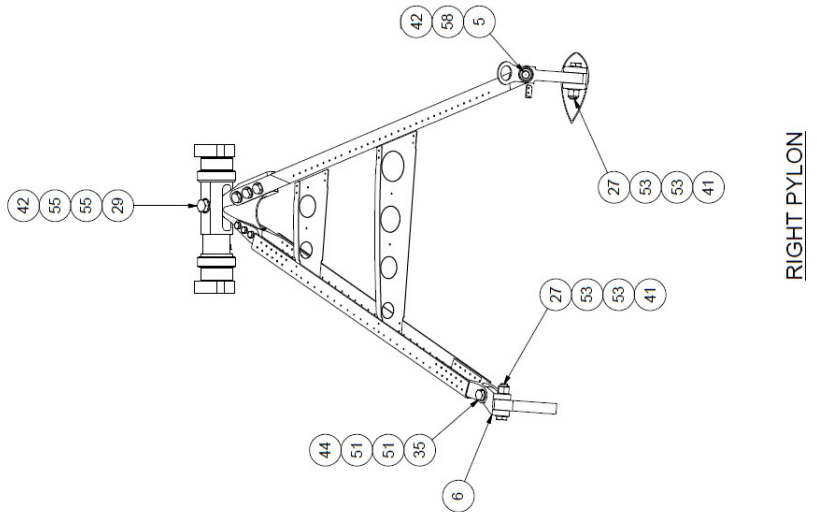
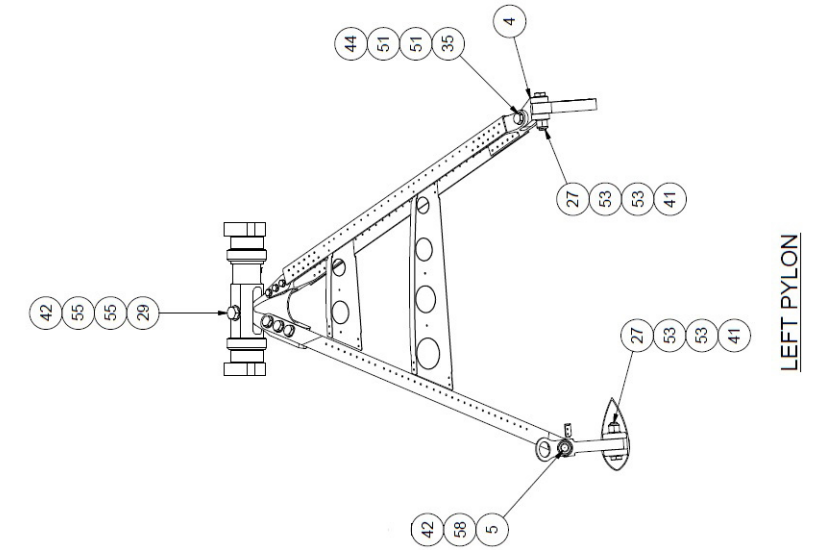
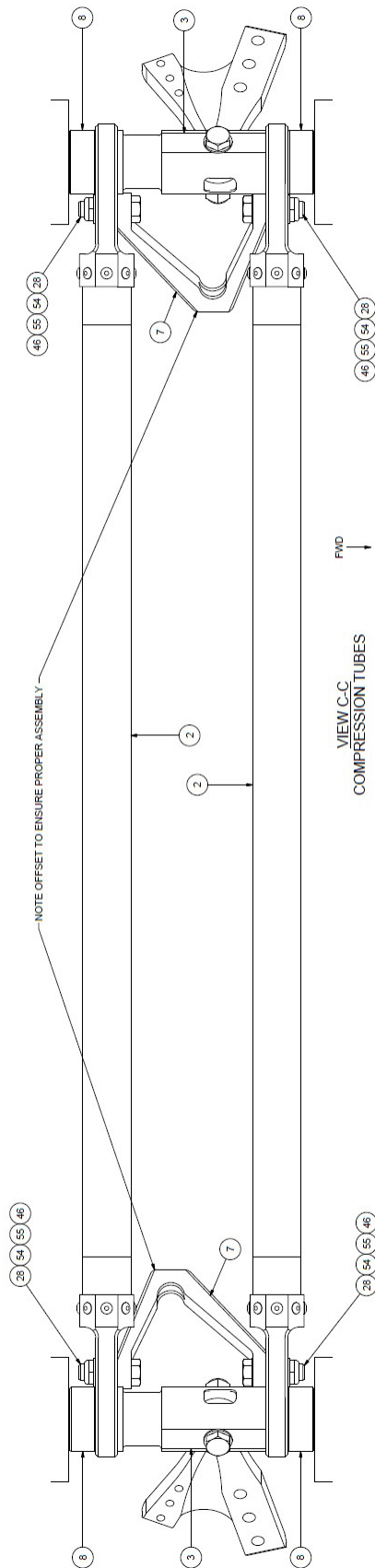


DETAIL A
(TYP 2 PLACES)
APPLIES TO LANDPLANE





- NAS1308-26D BOLT (REF)
- NAS1149F0863P WASHER (REF)
- F-2452-080 NUT (REF)
- 2452-080 RETAINER (REF)
(EXISTING CESSNA PARTS)



ITEM	QTY	PART NO.	PART DESCRIPTION
1	2	1003448	FLY WIRE, REAR
2	2	1005312	ASSEMBLY, COMPRESSION TUBE, 208-208B
3	2	1005313	FITTING, GEAR JOURNAL
4	1	1005314	FITTING, PYLON ATTACH, AFT, LEFT
5	2	1005318	BOLT, PYLON, .750-16 UNF, 10" GRIP
6	1	1005319	FITTING, PYLON ATTACH, AFT, RIGHT
7	2	1005329	WIRE PULL, AFT, 208-208B ON 8750
8	4	1005339	SPACER, 208 GEAR JOURNAL
9	2	1005341	ASSEMBLY, SPREADER BAR, 8750
10	1	1005486	ASSEMBLY, PYLON, LEFT, 8750
11	1	1005487	ASSEMBLY, PYLON, RIGHT, 8750
12	1	1005597	FITTING, FRONT BRACE WIRE, 208B
13	1	1005598	FITTING, STRUT ATTACH, FWD, LOWER, LEFT
14	1	1005599	FITTING, STRUT ATTACH, FWD, LOWER, RIGHT
15	1	1005605	ASSEMBLY, STRUT, FWD, LEFT, 208B
16	1	1005606	ASSEMBLY, STRUT, FWD, RIGHT, 208B
17	2	1008958	BRACKET, ROPE RING, 8750
18	1	1009416	ASSEMBLY, SPRDR BAR, FWD, LIFT SUPPORT, 8750S
19	1	1009464	ASSEMBLY, SPRDR BAR, AFT, LIFT SUPPORT, 8750S
20	2	2452-080RET	RETAINER, BARREL NUT
21	2	8A02000-043	ASSEMBLY, FLYWIRE, 5/8-18, 60.75 ROD
22	2	8A02195-006	FITTING, FRONT STRUT, FUSELAGE
23	2	8A02198-012	FITTING - FRONT STRUT - UPPER END
24	2	8A02458-003	BARREL NUT, LOCKING
25	2	8A02458-004	BARREL NUT, LOCKING
26	2	AN10-22A	BOLT
27	6	AN10-27A	BOLT, 5/8-18, 2.0625 GRIP, UNDRILLED, STEEL
28	4	AN12-22A	BOLT, 3/4-16, 1.3125 GRIP, UNDRILLED, STEEL
29	2	AN12-36A	BOLT, 3/4-16, 2.8125 GRIP, UNDRILLED, STEEL
30	4	AN28-30A	BOLT, CLEVIS
31	2	AN316C12L	NUT
32	138	AN526C832R8	SCREW, MACHINE, TRUSS HEAD
33	2	AN665-430LS	TERMINAL, FLY WIRE
34	2	AN8-23A	BOLT, 1/2-20, 1.6875 GRIP, UNDRILLED, STEEL
35	2	AN9-23A	BOLT, 9/16-18, 1.625 GRIP, UNDRILLED, STEEL
36	4	CR3212-4-9	RIVET, CHERRYMAX, FLAT HEAD
37	2	MS20002C8	WASHER, HIGH STRENGTH, COUNTERSINK, 1/2
38	2	MS20008-15	BOLT, INTERNAL WRENCHING
39	2	MS20392-10C41	CLEVIS PIN
40	4	MS21042L6	NUT, SELF LOCKING, 450 DEGREES, 3/8-24 UNF
41	8	MS21044N10	NUT, LOCKING, REGULAR HEIGHT, 5/8-18 UNF

PARTS MANUAL
8750 FLOATS ON CESSNA 208 AND 208B

ITEM	QTY	PART NO.	PART DESCRIPTION
42	4	MS21044N12	NUT, LOCKING, REGULAR HEIGHT, 3/4-16 UNF
43	2	MS21044N8	NUT, LOCKING, REGULAR HEIGHT, 1/2-20 UNF
44	2	MS21044N9	NUT, LOCKING, REGULAR HEIGHT, 9/16-18 UNF
45	2	MS21071L6	NUT PLATE
46	4	MS21083N12	NUT, LOCKING, LOW HEIGHT, 3/4-16 UNF
47	4	MS21083N8	NUT, LOCKING, LOW HEIGHT, 1/2-20 UNF
48	2	MS24665-444	COTTER PIN
49	8	NAS1149D0816J	WASHER, 0.515 ID, 0.016 THK, ALUMINUM
50	4	NAS1149D0863J	WASHER, 0.515 ID, 0.063 THK, ALUMINUM
51	4	NAS1149D0963J	WASHER, 0.578 ID, 0.063 THK, ALUMINUM
52	2	NAS1149D1016J	WASHER, 0.64 ID, 0.016 THK, ALUMINUM
53	14	NAS1149D1063J	WASHER, 0.64 ID, 0.063 THK, ALUMINUM
54	4	NAS1149D1216J	WASHER, 0.765 ID, 0.016 THK, ALUMINUM
55	8	NAS1149D1290J	WASHER, 0.765 ID, 0.09 THK, ALUMINUM
56	8	NAS1149F0616P	WASHER, 0.39 ID, 0.016 THK, STEEL
57	4	NAS1149F0663P	WASHER, 0.39 ID, 0.063 THK, STEEL
58	2	NAS1149F1232P	WASHER, 0.765 ID, 0.032 THK, STEEL
59	138	NAS1515-H-08L	WASHER, NYLON, #8
60	8	NAS6606-13	BOLT, HEX HEAD, CLOSE TOLERANCE
61	2	NAS6606-22	BOLT, HEX HEAD, CLOSE TOLERANCE (REF)

THIS PAGE INTENTIONALLY LEFT BLANK

SECTION 11

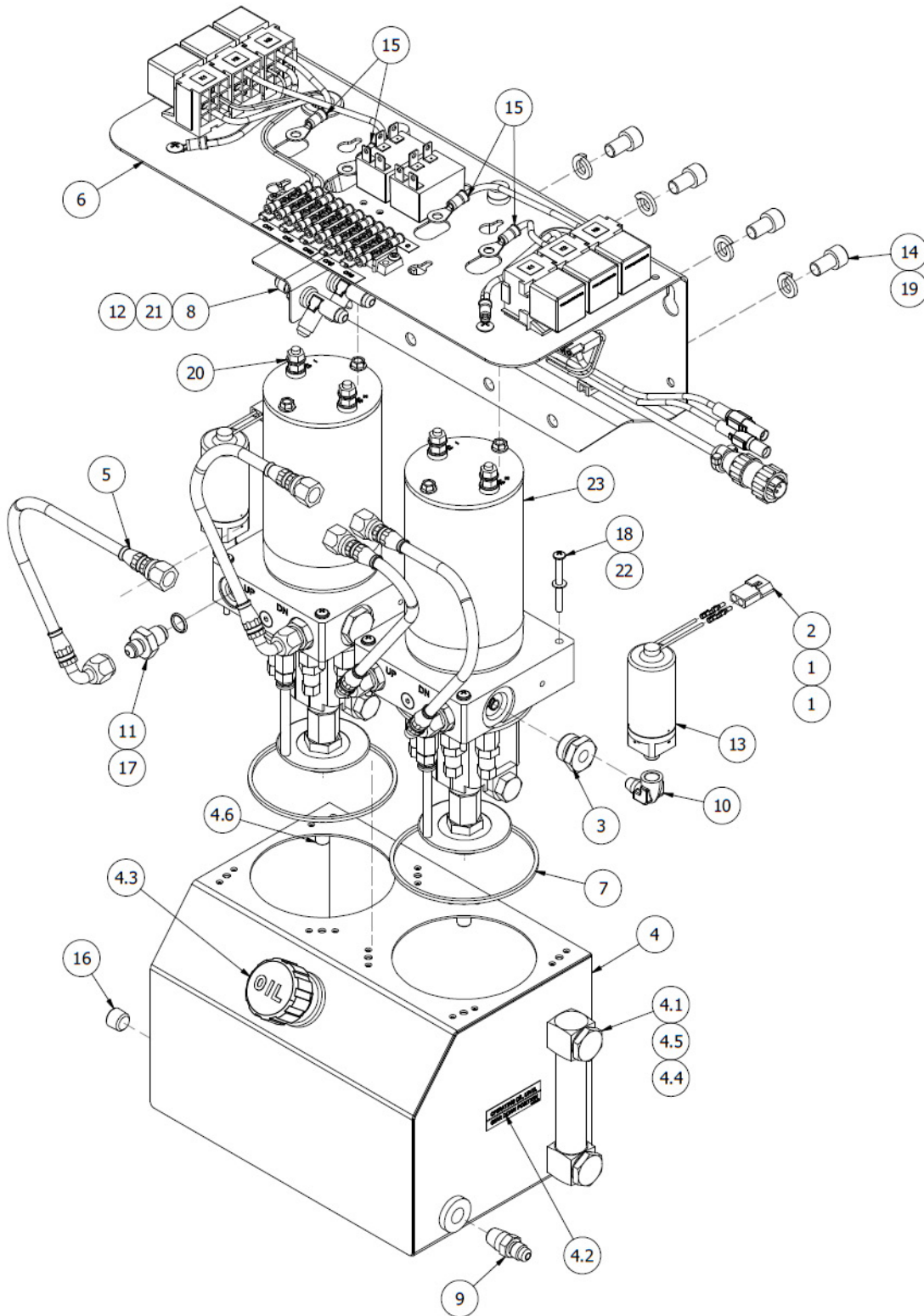
HYDRAULIC & ELECTRICAL SYSTEM

CONTENTS

BIDIRECTIONAL HYDRAULIC PUMP ASSEMBLY POST SERVICE LETTER 218.....	200
BIDIRECTIONAL HYDRAULIC POWER PACK PLATE MOUNT ASSEMBLY POST SERVICE LETTER .. 218.....	202
BIDIRECTIONAL HYDRAULIC PUMP ASSEMBLY PRE SERVICE LETTER 218	205
UNIDIRECTIONAL HYDRAULIC PUMP ASSEMBLY POST SERVICE LETTER 216.....	209
UNIDIRECTIONAL HYDRAULIC POWER PACK	211
BRACKET MOUNT ASSEMBLY POST SERVICE LETTER 216	211
HYDRAULIC PUMP OVERVIEW POST SERVICE LETTERS 216 & 218.....	213
HYDRAULIC PUMP OVERVIEW PRE SERVICE LETTERS 216 & 218	215
HYDRAULIC PUMP FILL SYSTEM ASSEMBLY	217
HYDRAULIC HAND PUMP ASSEMBLY.....	218
HYDRAULIC SCHEMATICS POST SERVICE LETTERS 216 & 218	221
HYDRAULIC SCHEMATICS PRE SERVICE LETTERS 216 & 218.....	225
ELECTICAL SCHEMATIC BIDIRECTIONAL HYDRAULIC SYSTEM.....	229
ELECTICAL SCHEMATIC UNIDIRECTIONAL HYDRAULIC SYSTEM.....	231
GEAR SELECTOR (UNIDIRECTIONAL) ASSEMBLY.....	233
GEAR SELECTOR (BIDIRECTIONAL) ASSEMBLY	236

BIDIRECTIONAL HYDRAULIC PUMP ASSEMBLY

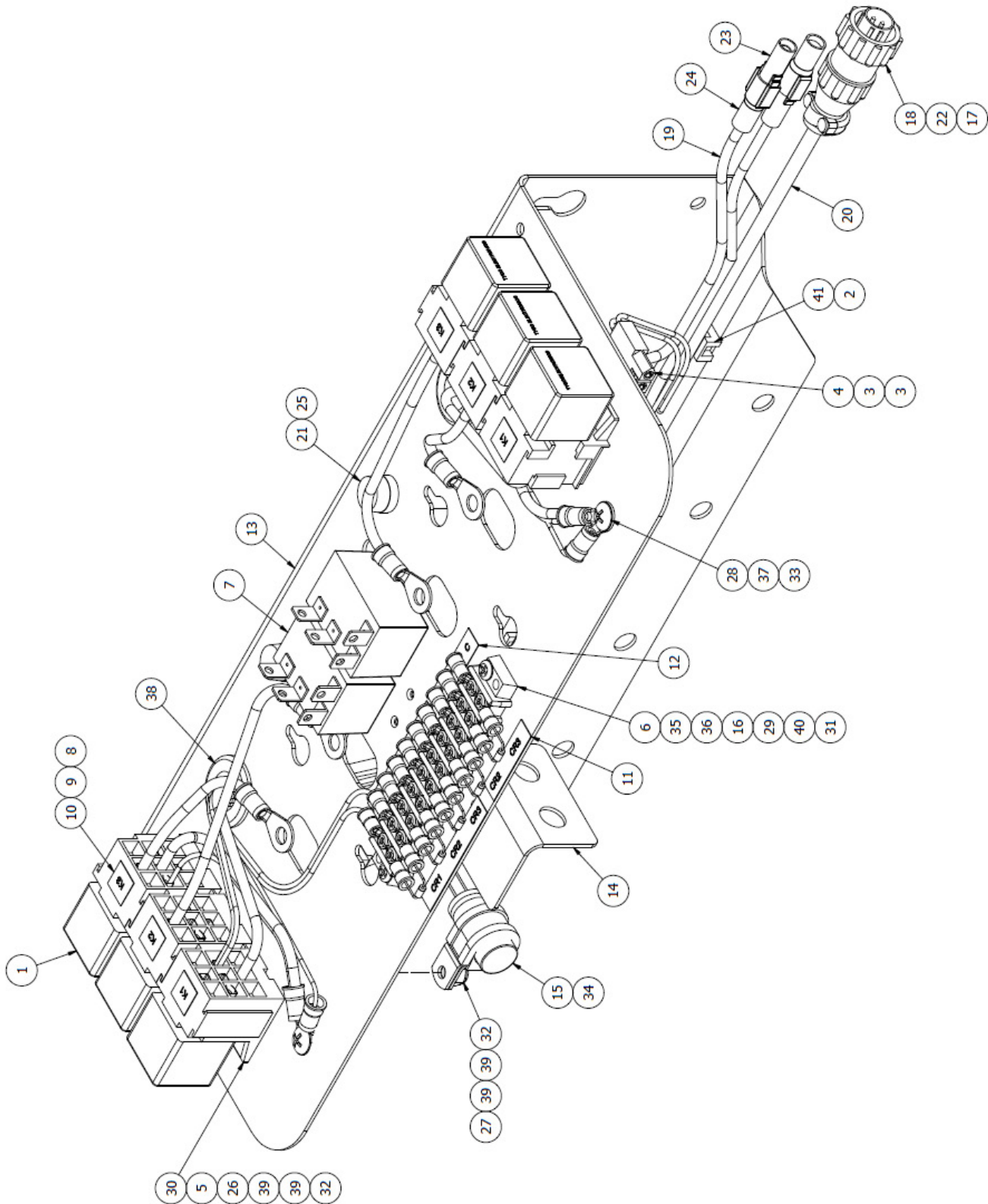
POST SERVICE LETTER 218



PARTS MANUAL
8750 FLOATS ON CESSNA 208 AND 208B

ITEM	QTY	PART NO.	PART DESCRIPTION
-	1	1011436	ASSEMBLY, HYDRAULIC POWER PACK
1	4	02-09-2118	PIN, CRIMP MALE, 1/8" DIA
2	2	03-09-2022	CONNECTOR PLUG, FEMALE
3	2	1011062	ASSEMBLY, PLUG, PRESSURE SWITCH PORT
4	1	1011359	ASSEMBLY, HYDRAULIC PUMP RESERVOIR
4.1	1	1192K17	LIQUID LEVEL INDICATOR, 4"
4.2	1	6A3-2199	PLACARD, OIL LEVEL
4.3	1	8631T24	BREATHER VENT, WITH SPLASH GUARD
4.4	2	MS21044N8	NUT, LOCKING, REGULAR HEIGHT, 1/2-20 UNF
4.5	2	NAS1149D0832J	WASHER, 0.515 ID, 0.032 THK, ALUMINUM
4.6	8	NAS1473A08	NUT PLATE, SEALED
5	4	1011361-06	ASSEMBLY, HOSE, PUMP TO TEE
6	1	1011435	ASSEMBLY, PLATE, MOUNT, HYDRAULIC POWER PACK
7	2	4061T199	SQUARE PROFILE, O-RING, 3.5" I.D., 0.094 THK
8	2	AN804-4D	TEE FITTING
9	1	AN816-4-4D	NIPPLE, FLARED TUBE AND PIPE THREAD
10	2	AN914-1D	ELBOW, 90 DEGREES, INTERNAL EXTERNAL PIPE
11	4	AN919-3D	FITTING, REDUCER
12	2	AN924-4D	JAM NUT
13	2	GPP1250-40	PRESSURE SWITCH
14	4	MS16997-96	SOCKET HEAD CAP SCREW
15	4	MS25036-157	RING TERMINAL, #10 STUD, 10-12 AWG, YELLOW
16	1	MS27769D3	PLUG, PIPE, COUNTERSINK HEX HEAD
17	4	MS28775-013	"O" RING, HYDRAULIC
18	8	MS35206-252	SCREW, MACHINE, PAN HEAD
19	4	MS35338-46	WASHER, SPLIT
20	4	NAS1149F0432P	WASHER, 0.265 ID, 0.032 THK, STEEL
21	2	NAS1149F0763P	WASHER, 0.453 ID, 0.063 THK, STEEL
22	8	NAS1149FN832P	WASHER, 0.174 ID, 0.032 THK, STEEL
23	2	YBZS- D0.63W2T100K/ UVZOT2	HYDRAULIC POWER PACK, 24VDC, .64 PUMP

BIDIRECTIONAL HYDRAULIC POWER PACK PLATE MOUNT ASSEMBLY POST SERVICE LETTER 218

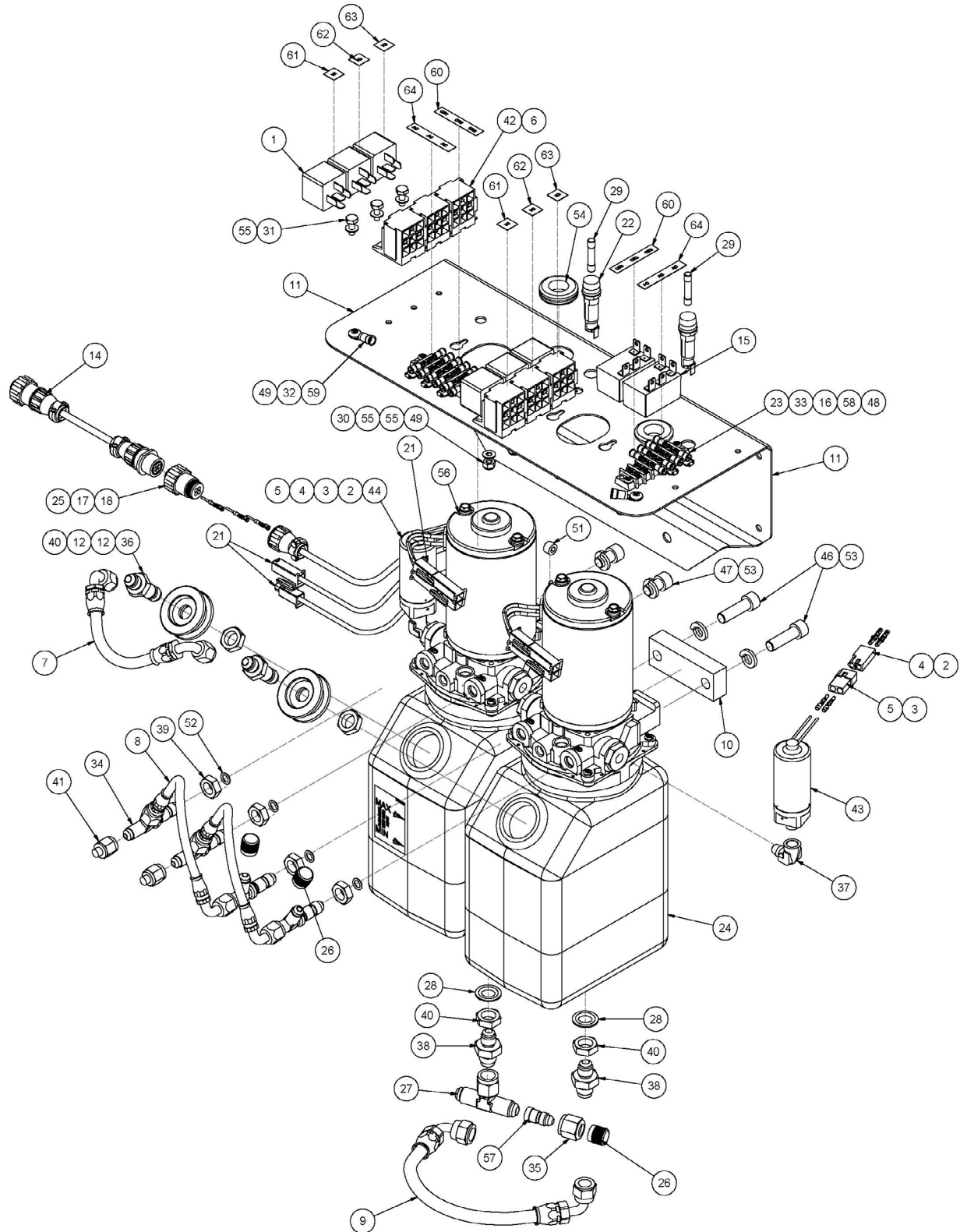


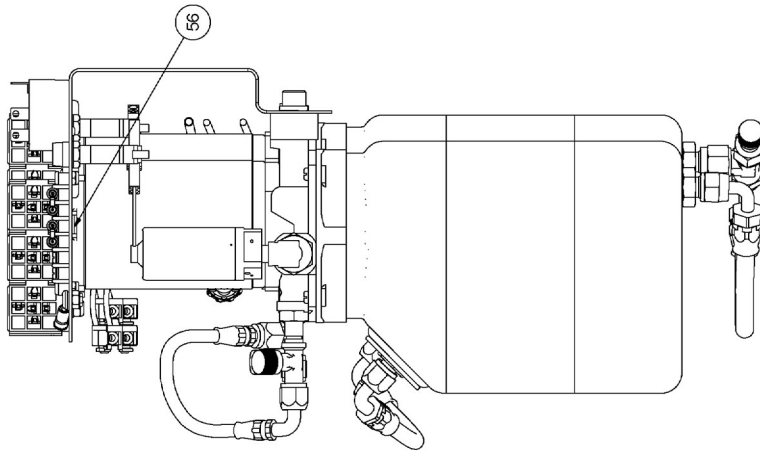
PARTS MANUAL
8750 FLOATS ON CESSNA 208 AND 208B

ITEM	QTY	PART NO.	PART DESCRIPTION
-	1	1011435	ASSEMBLY, PLATE, MOUNT, HYDRAULIC POWER PACK
1	6	0-332-209-211	RELAY, 24V, 5 PRONG
2	4	01692-0410	RIVET, POP, 1/8" DIA, 0.031 -0.187 GRIP, LARGE FLANGE
3	4	02-09-1104	PIN, CRIMP FEMALE, 1/8" DIA
4	2	03-09-1022	CONNECTOR PLUG, MALE, 2 CONN.
5	30	1-901-355-917	TERMINAL
6	1	10-140	TERMINAL BLOCK, 10 CONNECTOR
7	1	1005043	TIMER RELAY HARNESS
8	2	1009143-01	PLACARD, K1 INDICATOR
9	2	1009143-02	PLACARD, K2 INDICATOR
10	2	1009143-03	PLACARD, K3 INDICATOR
11	2	1009144-01	PLACARD, CR INDICATOR
12	2	1009144-02	PLACARD, AC INDICATOR
13	1	1011433	PLATE, MOUNT, HYDRAULIC PUMP
14	1	1011434	BRACKET, HYDRAULIC FITTINGS
15	2	1011798	ASSEMBLY, CAPACITOR
16	5	1N4004	DIODE, 2-1/2"
17	1	206062-3	CLAMP, CABLE, CPC SIZE 11
18	1	206429-1	PLUG, MAL, CPC SIZE 1, 4 PIN
19	1	22759-16-12-9	WIRE, 12 AWG, WHITE
20	1	22759-16-20-9	WIRE, 20 AWG, WHITE
21	2	3453LF2A	FUSE HOLDER
22	3	66099-4	PIN, MALE, 1/16 DIA, CRIMP
23	2	73F-250-32-NL	CONNECTOR, FEMALE, 10-12 AWG, FULLY INSULATED
24	2	73M-250-32-NL	CONNECTOR, MALE, 10-12 AWG, FULLY INSULATED
25	2	AGC-1	FUSE, 250V, (S2565-1)
26	4	AN3-4A	BOLT, 10-32, 0.125 GRIP, UNDRILLED, STEEL
27	2	AN3-5A	BOLT, 10-32, 0.25 GRIP, UNDRILLED, STEEL
28	2	AN526-1032R6	SCREW, MACHINE, TRUSS HEAD
29	2	AN526-632R10	SCREW
30	6	BR05-FW	SOCKET, 5 PRONG, PLASTIC
31	2	MS21044N06	NUT, LOCKING, REGULAR HEIGHT, 6-32 UNC
32	6	MS21044N3	NUT, LOCKING, REGULAR HEIGHT, 10-32 UNF
33	2	MS21045-3	NUT, SELF LOCKING
34	2	MS21919WDG10	CLAMP, LOOP, CUSHIONED, 5/8 TUBE OD
35	19	MS25036-102	RING TERMINAL, #6 STUD, 16-22 AWG, RED
36	1	MS25036-106	RING TERMINAL, #6 STUD, 16-14 AWG
37	2	MS25036-112	RING TERMINAL, #10 STUD, 10-12 AWG, YELLOW
38	2	MS35489-17	GROMMET, RUBBER
39	12	NAS1149F0332P	WASHER, 0.203 ID, 0.032 THK, STEEL
40	2	NAS1149FN632P	WASHER

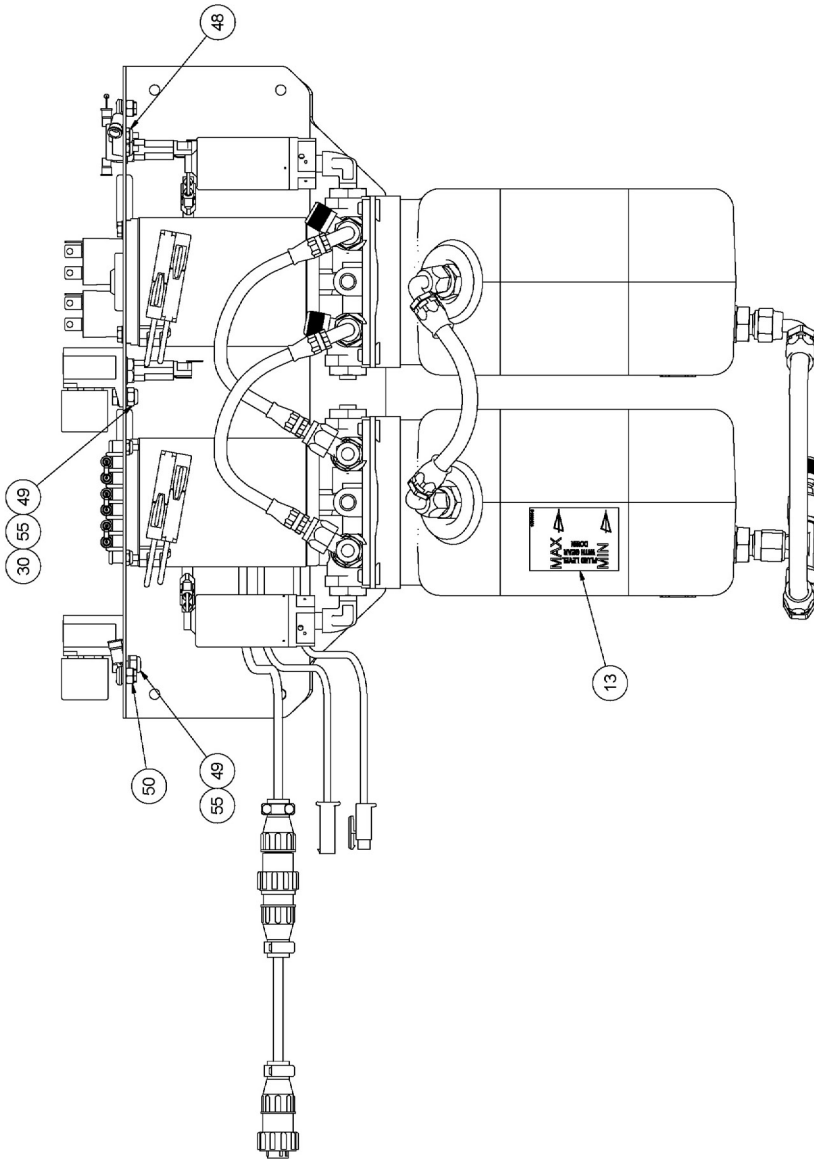
ITEM	QTY	PART NO.	PART DESCRIPTION
41	4	TM2S6-M	TIE CLIP

BIDIRECTIONAL HYDRAULIC PUMP ASSEMBLY PRE SERVICE LETTER 218





ASSEMBLY, HYDRAULIC PUMP
(RIGHT SIDE VIEW)

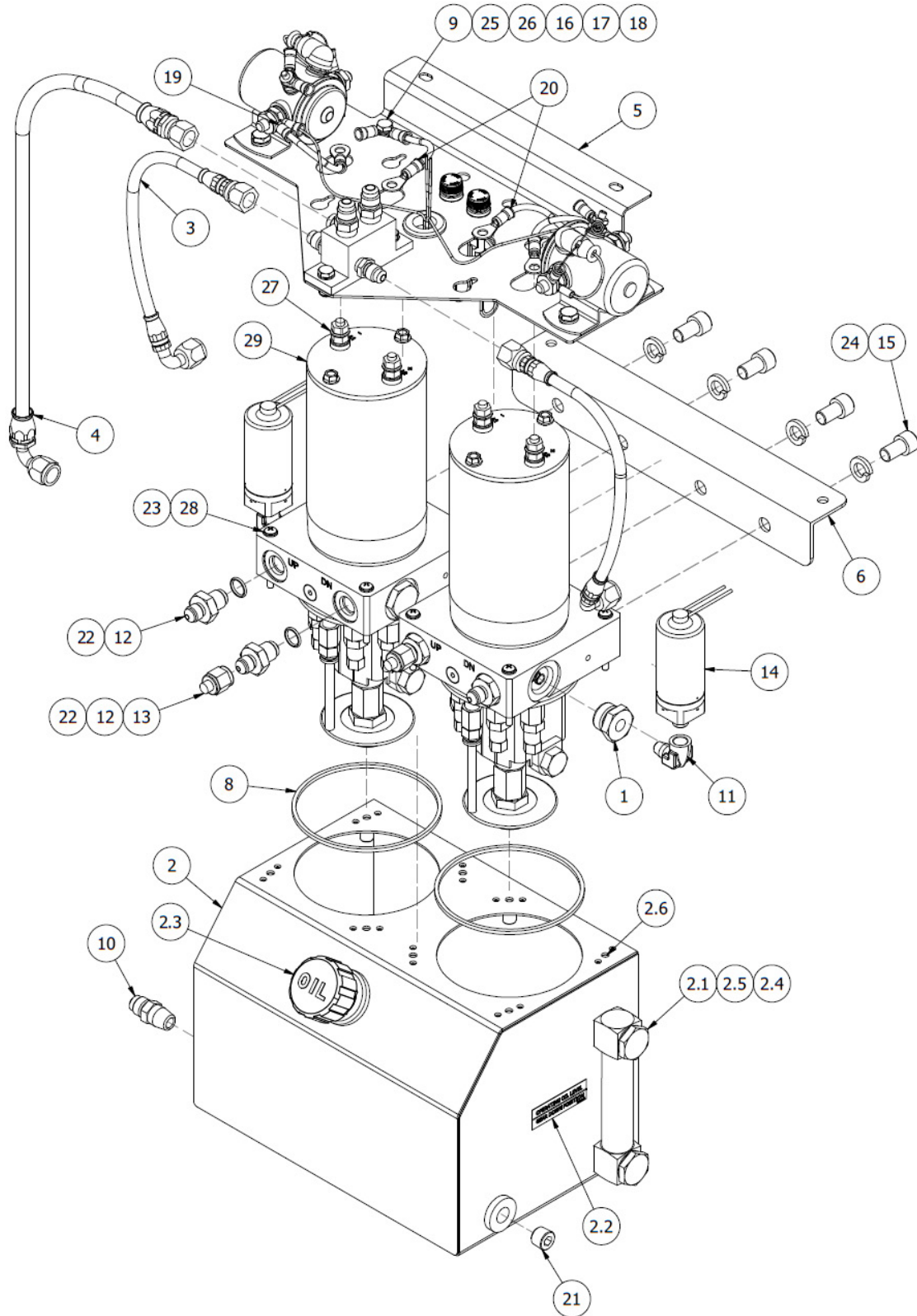


PARTS MANUAL
8750 FLOATS ON CESSNA 208 AND 208B

ITEM	QTY	PART NO.	PART DESCRIPTION
-	1	1004397	ASM, HYD POWER PACK, 24V, DUAL PUMP, BI-DI
1	6	0-332-209-211	RELAY, 24V, 5 PRONG
2	4	02-09-1104	PIN, CRIMP FEMALE, 1/8" DIA
3	4	02-09-2118	PIN, CRIMP MALE, 1/8" DIA
4	2	03-09-1022	CONNECTOR PLUG, MALE, 2 CONN.
5	2	03-092022	CONNECTOR PLUG, FEMALE
6	30	1-901-355-917	TERMINAL
7	1	1004089-16	HYDRAULIC HOSE, RESERVOIR, TOP
8	2	1004089-17	HYDRUALIC HOSE ASSEMBLY
9	1	1004089-18	HYDRAULIC HOSE
10	1	1004390	SPACER, MOUNT, HYDRAULIC PUMP
11	1	1004391	PLATE, MOUNT, HYDRAULIC PUMP
12	4	1004514	RETAINER, HYDRAULIC TANK VENT
13	1	1004663-2	PLACARD, FLUID LEVEL
14	1	1004949	CABLE, DIODE ADAPTOR
15	1	1005043	TIMER RELAY HARNESS
16	5	1N4004	DIODE, 2-1/2"
17	1	206062-3	CLAMP, CABLE, CPC SIZE 11
18	1	206429-1	PLUG, MALE, CPC SIZE 1, 4 PIN
19	12FT	22759-16-12-9	WIRE, 12 AWG, WHITE
20	16FT	22759-16-20-9	WIRE, 20 AWG, WHITE
21	1	73F-250-32-NL	CONNECTOR, FEMALE, 10-12 AWG
	1	73M-250-32-NL	CONNECTOR, MALE, 10-12 AWG
22	2	3453LF2A	FUSE HOLDER
23	2	6-140	TERMINAL BLOCK, 6 CONNECTOR
24	2	648487	PUMP, HYD., REVERSIBLE, 24VDC (SEE DETAIL)
25	3	66099-4	PIN, MALE, 1/16 DIA, CRIMP
26	4	820-01291	CAP
27	1	925106ERL	FITTING
28	2	93783A033	SEALING WASHER
29	2	AGC-1	FUSE, 250V, (S2565-1)
30	3	AN3-3A	BOLT, AIRFRAME, 10-32 THREAD, 1/16" GRIP, 15/32" LENGTH
31	3	AN3-4A	BOLT
32	2	AN526-1032R6	SCREW, MACHINE
33	4	AN526-632R10	SCREW
34	4	AN804-4D	TEE FITTING
35	1	AN818-6D	NUT - COUPLING
36	2	AN832-5D	UNION -5D
37	2	AN914-1D	ELBOW, 90°, PIPE
38	2	AN919-7D	FITTING, REDUCER
39	4	AN924-4D	JAM NUT

ITEM	QTY	PART NO.	PART DESCRIPTION
40	4	AN924-5D	JAM NUT
41	2	AN929-4	CAP
42	6	BR05FW	SOCKET, 5 PRONG, PLASTIC
43	1	GPP1250-23	PRESSURE SWITCH
44	1	GPP1250-40	PRESSURE SWITCH
45	2FT	HS105-3/16-0	HEAT SHRINK, TUBING, BLACK
46	2	MS16997-96	SOCKET HEAD CAP SCREW
47	2	MS16997-100	SOCKET HEAD CAP SCREW
48	4	MS21044N06	NUT
49	6	MS21044N3	NUT
50	2	MS21045-3	NUT, SELF LOCKING
51	2	MS27769-2	PLUG
52	4	MS28778-4	"O" RING
53	4	MS35338-46	WASHER, SPLIT
54	2	MS35489-19	GROMMET, RUBBER
55	12	NAS1149F0332P	WASHER, 0.203 ID, 0.032 THK, STEEL
56	8	NAS1149F0363P	WASHER
57	1	NAS1564D6-4	FITTING, REDUCER
58	19	R-3	RING CONNECTOR
59	2	Y-4	RING CONNECTOR
60	2	1009144-01	PLACARD, CR INDICATOR
61	2	1009143-01	PLACARD, K1 INDICATOR
62	2	1009143-02	PLACARD, K2 INDICATOR
63	2	1009143-03	PLACARD, K3 INDICATOR
64	2	1009144-02	PLACARD, AC INDICATOR
65	1	B-3	RING CONNECTOR

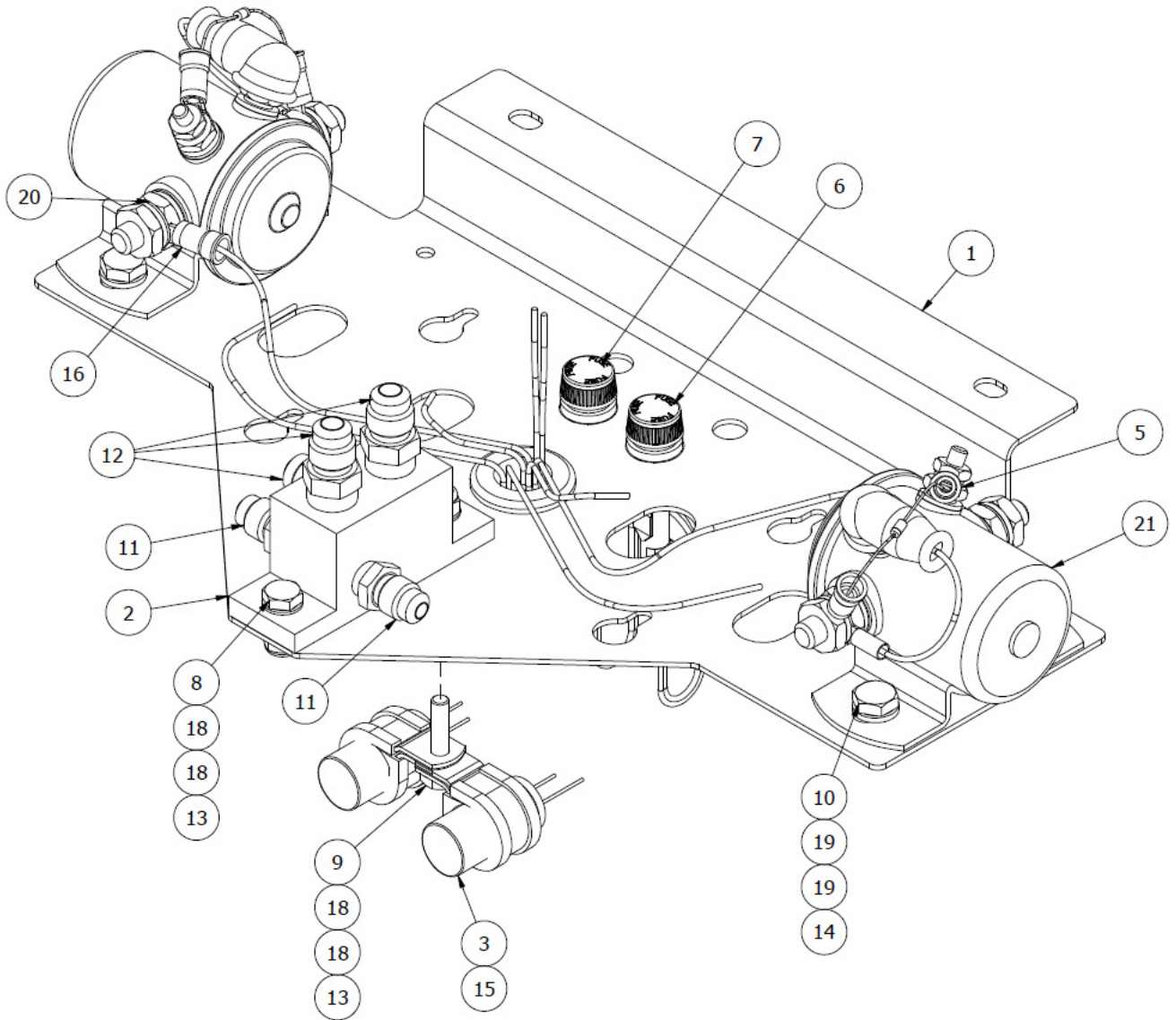
UNIDIRECTIONAL HYDRAULIC PUMP ASSEMBLY POST SERVICE LETTER 216



ITEM	QTY	PART NO.	PART DESCRIPTION
-	1	1011404	ASSEMBLY, HYDRAULIC POWER PACK
1	2	1011062	ASSEMBLY, PLUG, PRESSURE SWITCH PORT
2	1	1011359	ASSEMBLY, HYDRAULIC PUMP RESERVOIR
2.1	1	1192K17	LIQUID LEVEL INDICATOR, 4"
2.2	1	6A3-2199	PLACARD, OIL LEVEL
2.3	1	8631T24	BREATHER VENT
2.4	2	MS21044N8	NUT, LOCKING, REGULAR HEIGHT, 1/2-20 UNF
2.5	2	NAS1149D0832J	WASHER, 0.515 ID, 0.032 THK, ALUMINUM
2.6	8	NAS1473A08	NUT PLATE, SEALED
3	2	1011361-01	HYDRAULIC HOSE ASSEMBLY, MANIFOLD TO PUMP
4	1	1011361-05	HOSE, MANIFOLD TO RESERVOIR
5	1	1011402	ASSEMBLY, BRACKET, PUMP MOUNT
6	1	1011403	ANGLE, PUMP MOUNT, LOWER
7	16 INCH	22759-16-12-9	WIRE, 12AWG, WHITE
8	2	4061T199	SQUARE PROFILE, O-RING, 3.5" I.D., .094 THK
9	2	AN3-4A	BOLT, 10-32, 0.125 GRIP, UNDRILLED, STEEL
10	1	AN816-5-4D	NIPPLE, FLARED TUBE AND PIPE THREAD
11	2	AN914-1D	ELBOW, 90 DEGREES, INTERNAL EXTERNAL PIPE
12	4	AN919-3D	FITTING, REDUCER
13	2	AN929-4	CAP
14	2	GPP1250-40	PRESSURE SWITCH
15	4	MS16997-96	SOCKET HEAD CAP SCREW
16	2	MS21044N3	NUT, LOCKING, REGULAR HEIGHT, 10-32 UNF
17	4	MS25036-103	RING TERMINAL, #10 STUD, 22-16 AWG, RED
18	2	MS25036-112	RING TERMINAL, #10 STUD, 10-12 AWG, YELLOW
19	2	MS25036-113	RING TERMINAL, 5/16 STUD, 10-12 AWG, YELLOW
20	4	MS25036-157	RING TERMINAL, #10 STUD, 10-12 AWG, YELLOW
21	1	MS27769D3	PLUG, PIPE, COUNTERSINK HEX HEAD
22	4	MS28775-013	"O" RING, HYDRAULIC
23	8	MS35206-252	SCREW, MACHINE, PAN HEAD
24	4	MS35338-46	WASHER, SPLIT
25	2	NAS1149F0332P	WASHER, 0.203 ID, 0.032 THK, STEEL
26	2	NAS1149F0363P	WASHER, 0.203 ID, 0.063 THK, STEEL
27	4	NAS1149F0432P	WASHER, 0.265 ID, 0.032 THK, STEEL
28	8	NAS1149FN832P	WASHER, 0.174 ID, 0.032 THK, STEEL
29	2	YBZS- D0.63W2T100K/ UVZOT2	HYDRAULIC POWER PACK, 24VDC, .64 PUMP

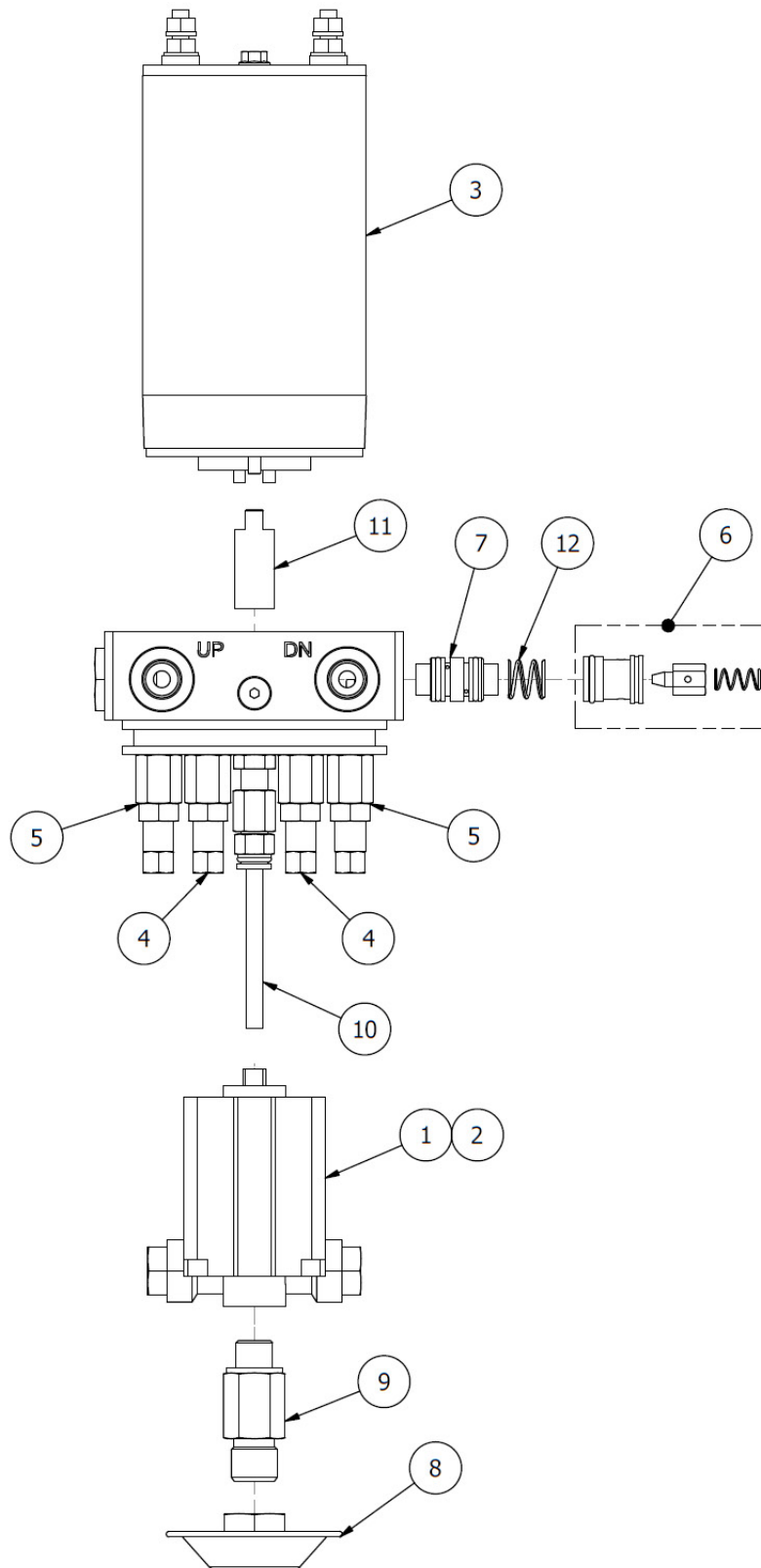
UNIDIRECTIONAL HYDRAULIC POWER PACK

BRACKET MOUNT ASSEMBLY POST SERVICE LETTER 216



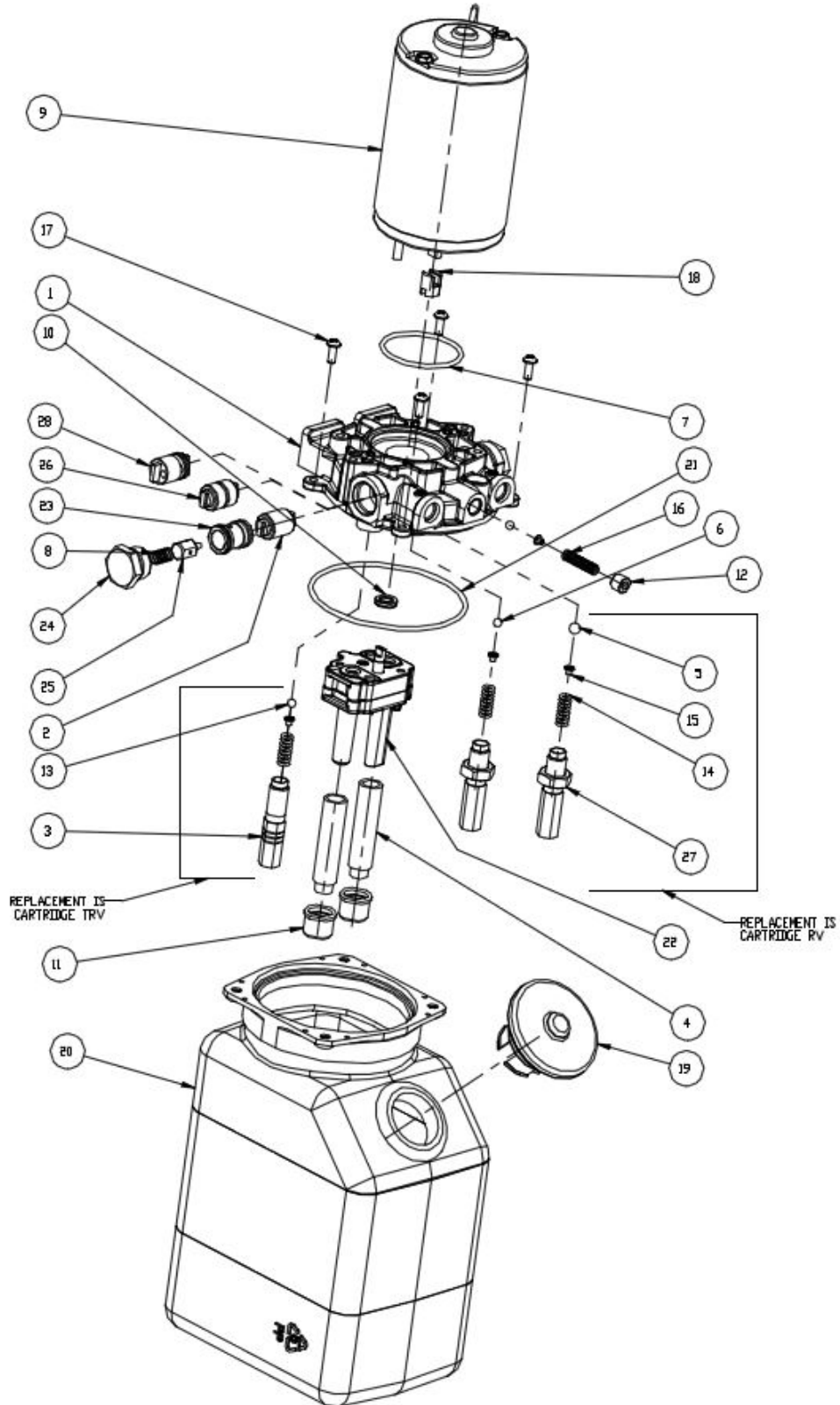
ITEM	QTY	PART NO.	PART DESCRIPTION
-	1	1011402	ASSEMBLY, BRACKET, PUMP MOUNT
1	1	1011401	UPPER BRACKET, HYDRAULIC PUMP
2	1	1011405	MANIFOLD, HYDRAULIC
3	2	1011798	ASSEMBLY, CAPACITOR
4	1	22759-16-20-9	WIRE, 20 AWG, WHITE
5	2	3A10000-002	ASSEMBLY, SOLENOID DIODE
6	1	6A09000-128	ASSEMBLY, FUSE HOLDER, RIGHT
7	1	6A09000-129	ASSEMBLY, FUSE HOLDER, LEFT
8	1	AN3-5A	BOLT, 10-32, 0.25 GRIP, UNDRILLED, STEEL
9	1	AN3-7A	BOLT, 10-32, 0.5 GRIP, UNDRILLED, STEEL
10	4	AN4-5A	BOLT, 1/4-28, 0.1875 GRIP, UNDRILLED, STEEL
11	2	AN816-4D	NIPPLE, FLARED TUBE AND PIPE THREAD
12	3	AN816-5-4D	NIPPLE, FLARED TUBE AND PIPE THREAD
13	2	MS21044N3	NUT, LOCKING, REGULAR HEIGHT, 10-32 UNF
14	4	MS21044N4	NUT, LOCKING, REGULAR HEIGHT, 1/4-28 UNF
15	2	MS21919WDG10	CLAMP, LOOP, CUSHIONED, 5/8 TUBE OD
16	2	MS25036-104	RING TERMINAL, 5/16 STUD, 22-16 AWG, RED
17	1	MS35489-17	GROMMET, RUBBER
18	4	NAS1149F0332P	WASHER, 0.203 ID, 0.032 THK, STEEL
19	8	NAS1149F0463P	WASHER, 0.265 ID, 0.063 THK, STEEL
20	4	NAS1149F0532P	WASHER, 0.328 ID, 0.032 THK, STEEL
21	2	P52-0035-1	STARTER, 24V

HYDRAULIC PUMP OVERVIEW POST SERVICE LETTERS 216 & 218



ITEM	QTY	PART NO.	PART DESCRIPTION
1	1	202-0003	BI-DIRECTIONAL PUMP, 0.64 ML/R
2	1	299-0008	SEAL KIT, BI-DIRECTIONAL GEAR PUMP
3	1	610-0017	DC MOTOR, 24V, .8 KW
4	2	631-0005	PRESSURE RELIEF VALVE
5	2	631-0006	THERMAL RELIEF VALVE
6	2	632-0004	ASSEMBLY, PILOT OPERATED CHECK VALVE
7	1	637-0024	SHUTTLE VALVE
8	1	682-0019	FILTER, PICKUP TUBE, HYDRAULIC PUMP
9	1	682-0055	SUCTION HEX TUBE
10	1	682-0056	RETURN TUBE
11	1	683-0011	COUPLING, MOTOR TO PUMP
12	2	685-0012	SPRING, SHUTTLE VALVE
13	1	687-0001	SEAL KIT, RESERVIOR O-RING, PILOT OPERATED RELIEF VALVE O-RING, THERMAL AND PRESSURE RELIEF VALVE O-RING (NOT SHOWN)

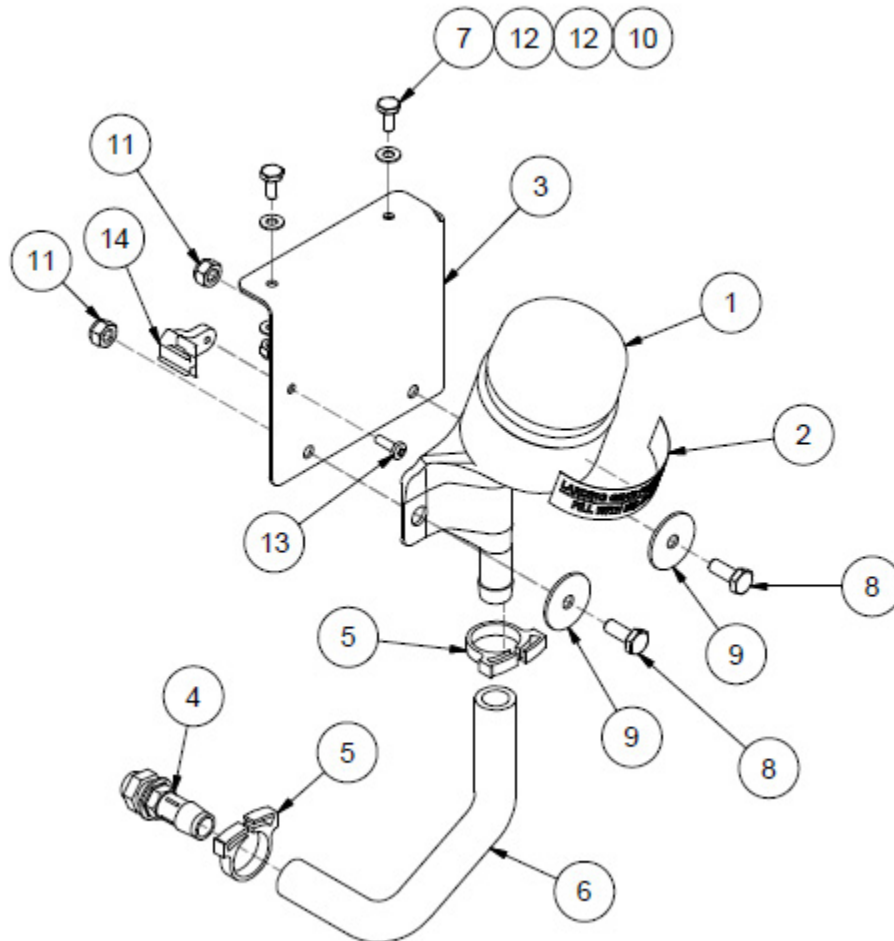
HYDRAULIC PUMP OVERVIEW PRE SERVICE LETTERS 216 & 218



ITEM	QTY	PART NO.	PART DESCRIPTION
-	1	648487	PUMP HYDRAULIC, REVERSIBLE, 24VDC
1	1	205882	ADAPTER
3	-	N/A	PART OF THERMAL RV CARTRIDGE
4	2	364528	SUCTION EXTENSION TUBE
5	-	N/A	PART OF RELIEF VALVE CARTRIDGE
6	-	N/A	PART OF RELIEF VALVE CARTRIDGE
7	1	405673	MOTOR O-RING
8	2	410462*	SPRING (POPPET)
9	1	411165	MOTOR, 24 VDC, PERM. MAGNET
10	1	410512	SHAFT SEAL
11	2	410521*	SUCTION STRAINER
12	1	410530	PLUG FOR BACK PRESSURE VALVE
13	-	N/A	PART OF RELIEF VALVE CARTRIDGE
14	-	N/A	PART OF RELIEF VALVE CARTRIDGE
15	-	N/A	PART OF RELIEF VALVE CARTRIDGE
16	1	411874	SPRING FOR BACK PRESSURE VALVE
17	4	413222	SCREW, RESERVOIR MOUNTING
18	1	413528	COUPLING
19	1	413742	BREATHER CAP RESERVOIR
20	1	413922	RESERVOIR, Q, 2 LITER
21	1	414063	O-RING, RESERVOIR SEAL
22	1	635354	PUMP, .032, REVERSIBLE, COLD TEMP.
22A	2	406187	SCREW, PUMP MOUNTING (NOT SHOWN)
23	2	773763	CHECK SEAT
24	2	774550*	HEX PLUG RETAINER, WITH 1/8" NPSF CONNECTION
25	2	773776*	POPPET
26	-	N/A	N/A
27	-	N/A	PART OF RELIEF VALVE CARTRIDGE
28	1	774376	SPOOL, DOUBLE BACK PRESSURE LD
-	2	704522	THERMAL RV CARTRIDGE – SPECIFY PRESSURE SETTING AT 1900 PSI
-	2	704517	RELIEF VALVE CARTRIDGE – SPECIFY PRESSURE SETTING OF 1400 +150/-0 PSI FOR UP SIDE: SPECIFY 1100 +150/-0 PSI DN SIDE
-	-	634412	SEAL KIT (FITS ALL)

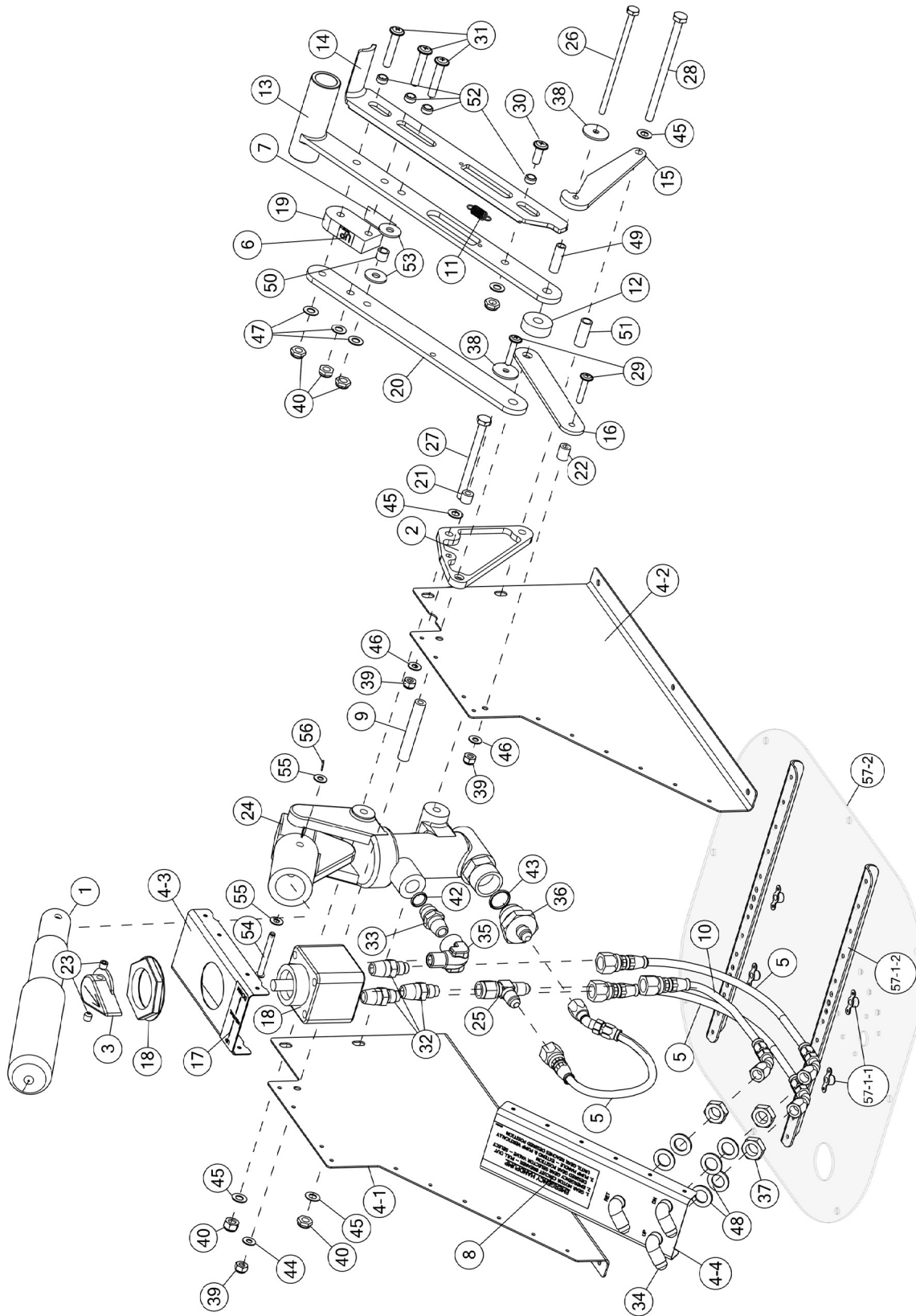
* Reference Wipaire drawing 1011065 for alternate part numbers.

HYDRAULIC PUMP FILL SYSTEM ASSEMBLY



ITEM	QTY	PART NO.	PART DESCRIPTION
1	2	066023	FILLER SPOUT
2	2	1004663-1	PLACARD, HYDRAULIC PUMP, FILL LOCATION
3	1	1005947	HYDRAULIC FILLER BRACKET, C208
4	2	2974K861	FITTING
5	4	57134	CLAMP
6	1	60703_1	BRAIDED TUBING
7	5	AN3-3A	BOLT, AIRFRAME, 10-32 THREAD, 1/16" GRIP, 15/32" LENGTH
8	4	AN4-5A	BOLT
9	4	AN970-4	WASHER,.265 ID, 1.125 OD, .063 THK
10	8	MS21044N3	NUT, LOCKING, REGULAR HEIGHT, 10-32 UNF
11	4	MS21044N4	NUT, LOCKING, REGULAR HEIGHT, 1/4-28 UNF
12	16	NAS1149F0332P	WASHER, 0.203 ID, 0.032 THK, STEEL
13	2	S1021Z8-8	SCREW
14	2	S2034-1	MOUNT

HYDRAULIC HAND PUMP ASSEMBLY



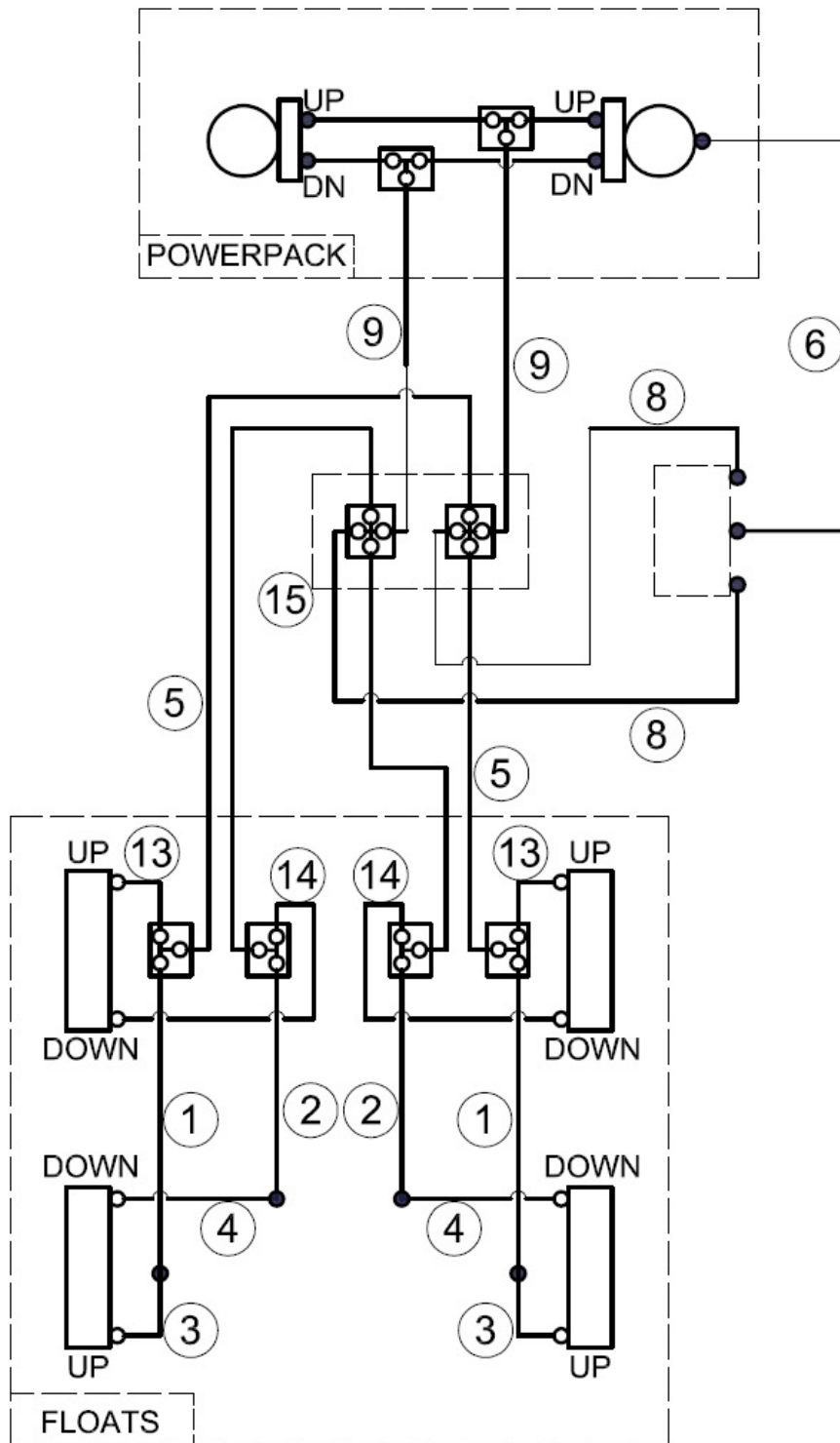
PARTS MANUAL
8750 FLOATS ON CESSNA 208 AND 208B

ITEM	QTY	PART NO.	PART DESCRIPTION
1	1	1002838	HAND PUMP HANDLE
2	1	1004072	PUMP LEVER BRACKET
3	1	1004073	PUMP ASSEMBLY KNOB
4	1	1004470	HAND PUMP HOUSING ASSEMBLY
4-1	1	1004068	PUMP LEFT SIDE MOUNT
4-2	1	1004069	PUMP RIGHT SIDE MOUNT
4-3	1	1004070	PUMP COVER TOP
4-4	1	1004071	PUMP COVER FRONT
5	3	1004626	HAND PUMP HYDRAULIC TUBE ASSEMBLY
6	1	1004657-1	UP WATER POSITION PLACARD
7	1	1004657-2	DOWN WATER POSITION PLACARD
8	1	1004814	EMERGENCY HAND PUMP PLACARD
9	1	1004992	HAND PUMP HOUSING SPACER
10	1	1005030	PUMP RETURN HYDRAULIC HOSE ASSEMBLY
11	1	1005045	LOCKING WATER RUDDER RETRACT EXTENSION SPRING
12	1	1005046	SPACER
13	1	1005048	LOCKING WATER RUDDER RETRACT HANDLE
14	1	1005710	LOCKING WATER RUDDER RETRACT LEVER
15	1	1005711	LOCKING WATER RUDDER RETRACT CAM
16	1	1005712	RETRACT HANDLE RETAINER
17	1	10B3-6283-2	EMERGENCY HAND PUMP GEAR POSITION
18	1	51861S6HO3P	SELECTOR VALVE AND PANEL NUT
19	1	8A08033-003	RETRACT HANDLE SPACER
20	1	8A08068-001	WATER RUDDER LEVER
21	1	8A08267-006	RETRACT HANDLE SPACER
22	1	8A08267-007	RETRACT HANDLE SPACER
23	2	91375A556	SET SCREW
24	1	914-8D-27	HAND PUMP
25	1	926104ERL	TEE FITTING
26	1	AN3-40A	BOLT
27	1	AN4-30A	BOLT, AIRFRAME, 1/4-28 THREAD, 2-9/16" GRIP, 3-1/32" LENGTH
28	1	AN4-40A	BOLT, AIRFRAME, 1/4-28 THREAD, 3-9/16" GRIP, 4-1/32" LENGTH
29	2	AN525-10R16	SCREW
30	1	AN525-416R11	SCREW
31	3	AN525-416R22	SCREW
32	3	AN816-4-4D	ADAPTER FITTING
33	1	AN816-6D	ADAPTER FITTING
34	3	AN833-4D	FLARED TUBE ELBOW
35	1	AN914-2D	ELBOW FITTING
36	1	AN919-10D	REDUCER FITTING
37	3	AN924-4D	NUT

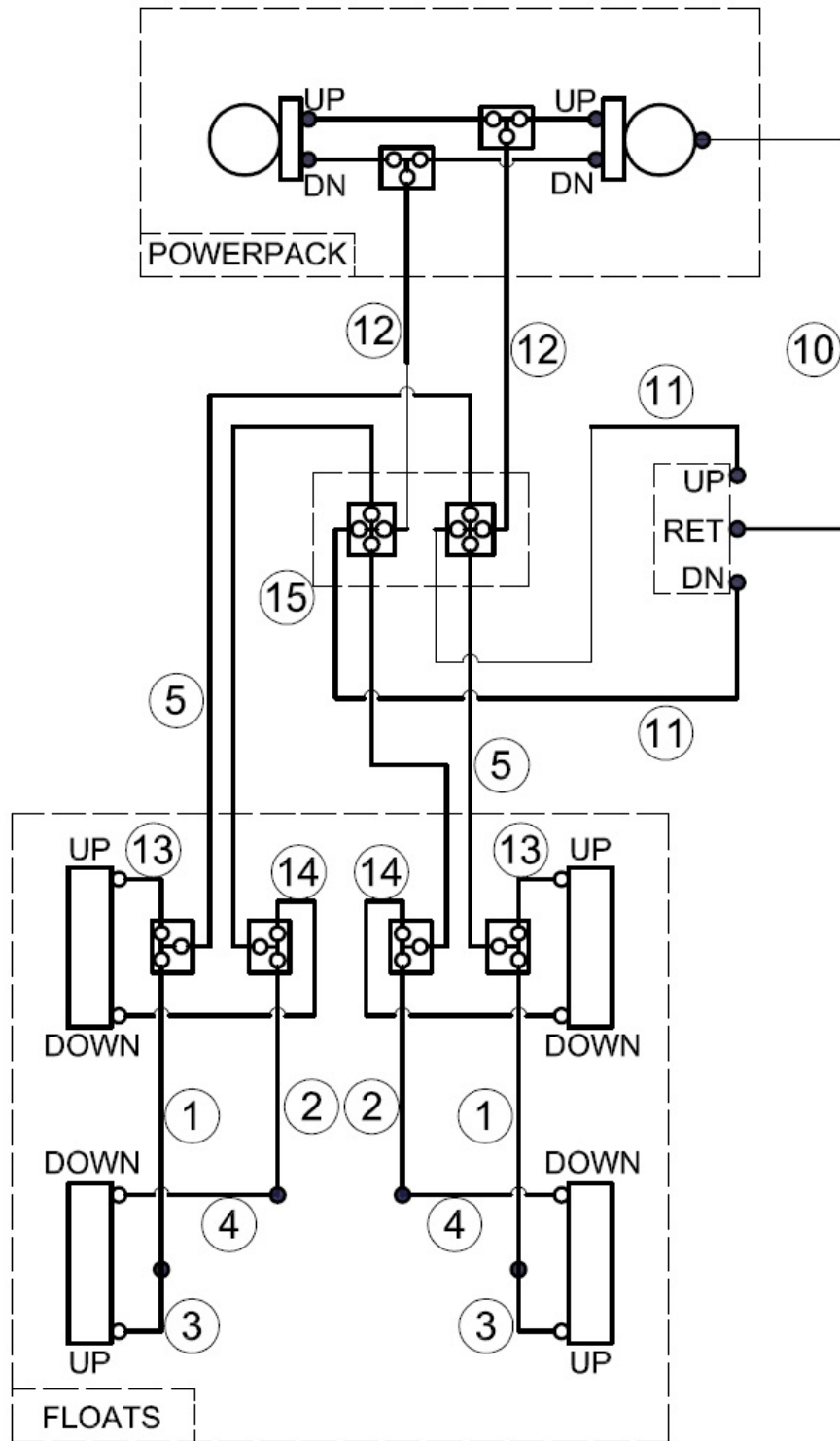
ITEM	QTY	PART NO.	PART DESCRIPTION
38	2	AN970-3	LARGE AREA WASHER
39	3	MS21044N3	NUT
40	1	MS21044N4	NUT, HEX LOCKING NYLON INSERT STEEL CAD 2, 1/4-28
41	5	MS21083N4	NUT
42	1	MS28775-013	O-RING
43	1	MS28775-016	O-RING
44	1	NAS1149C0332R	WASHER, CORROSION RESISTANT, TO FIT DIA #10"
45	4	NAS1149C0432R	WASHER, AIRFRAME, CORROSION RESISTANT, TO FIT DIA 1/4"
46	2	NAS1149F0332P	WASHER SIZE #10 OD.438 ID.203 THK.03
47	4	NAS1149F0432P	WASHER, AIRFRAME, CARBON STEEL, TO FIT DIA 1/4"
48	6	NAS1149F0763P	WASHER
49	1	NAS43HT3-64	SPACER
50	1	NAS43HT4-20	SPACER
51	1	NAS43HT4-60	SPACER
52	4	NAS75-4-006	BUSHING
53	2	S1450-4-12-063	WASHER
54	1	MS20392-2C49	CLEVIS PIN (PART OF 1002838 ASSEMBLY)
55	2	NAS1149F0332P	WASHER (PART OF 1002838 ASSEMBLY)
56	1	MS24665-132	COTTER PIN (PART OF 1002838 ASSEMBLY)
57	1	1005713	HAND PUMP FORWARD CENTER FLOOR COVER ASSEMBLY
57-1	2	1005705	HAND PUMP SUPPORT ANGLE ASSEMBLY (PART OF 1005713)
57-1-1	2	MS21047L3	NUT PLATE (PART OF 1005705)
57-1-2	1	1005704	HAND PUMP MOUNT STIFFENER ANGLE (PART OF 1005705)
57-2	1	1005707	HAND PUMP FWD CENTER FLOOR COVER (PART OF 1005713)

HYDRAULIC SCHEMATICS

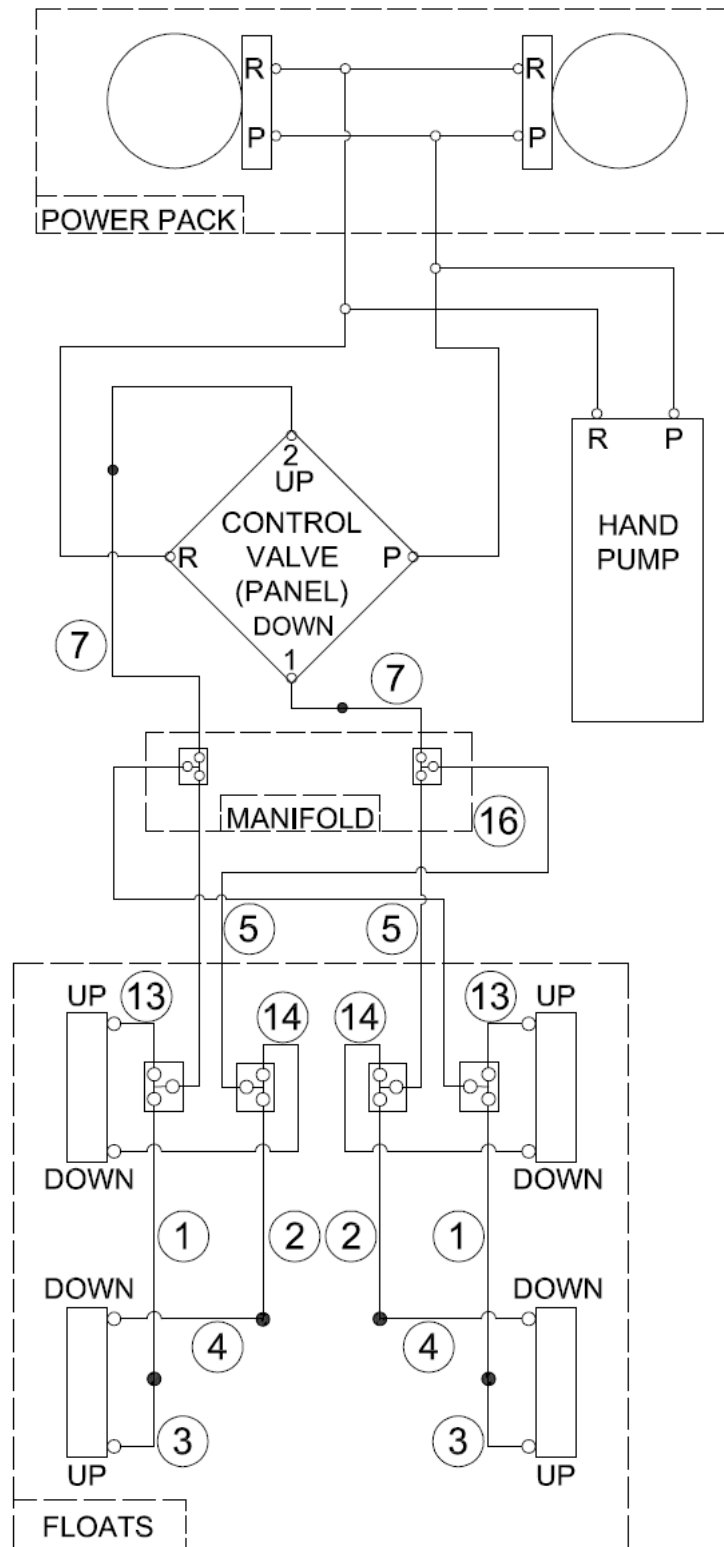
POST SERVICE LETTERS 216 & 218



208 HYDRAULIC SCHEMATIC, BI-DIRECTIONAL



208B HYDRAULIC SCHEMATIC, BI-DIRECTIONAL



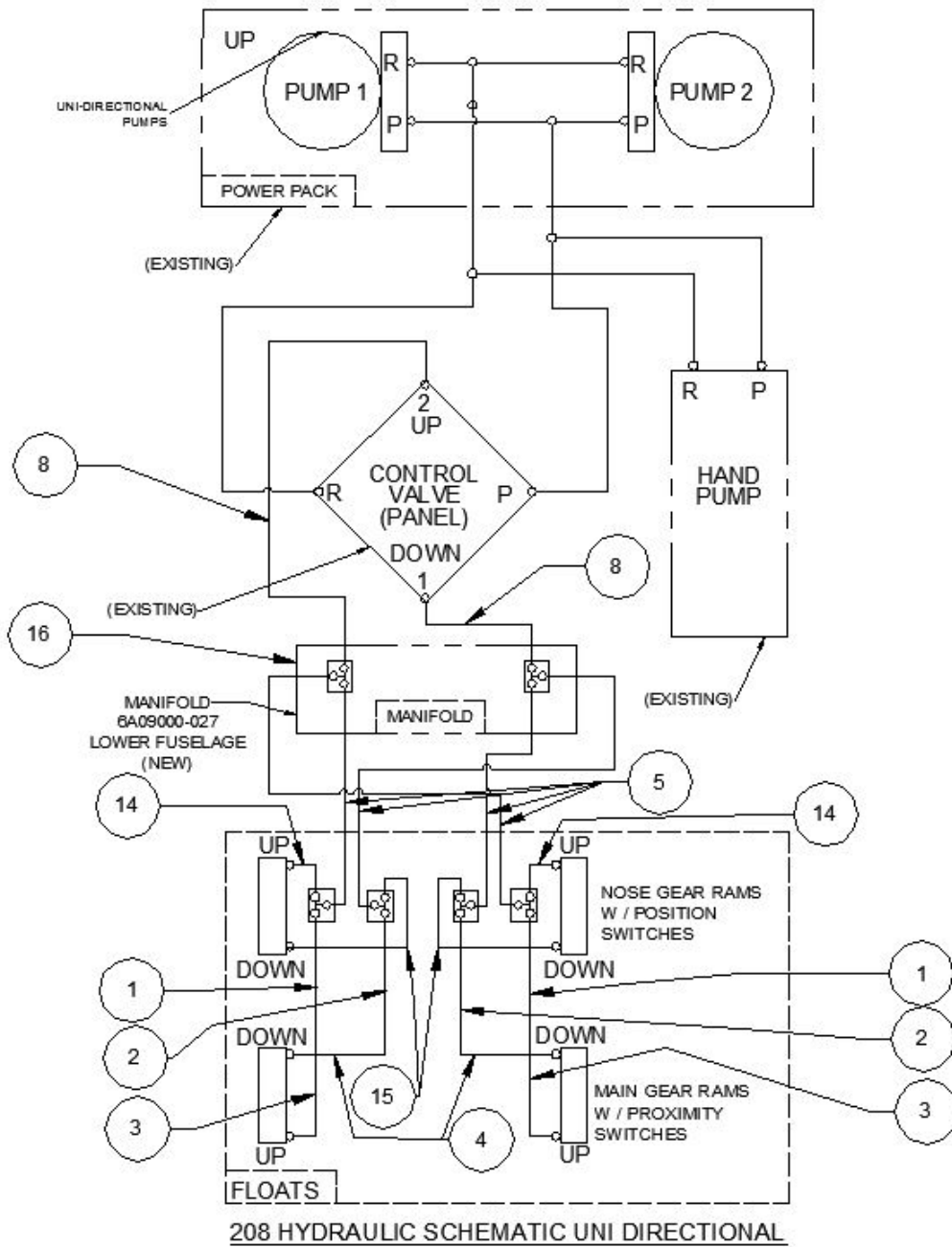
208 HYDRAULIC SCHEMATIC, UNI-DIRECTIONAL

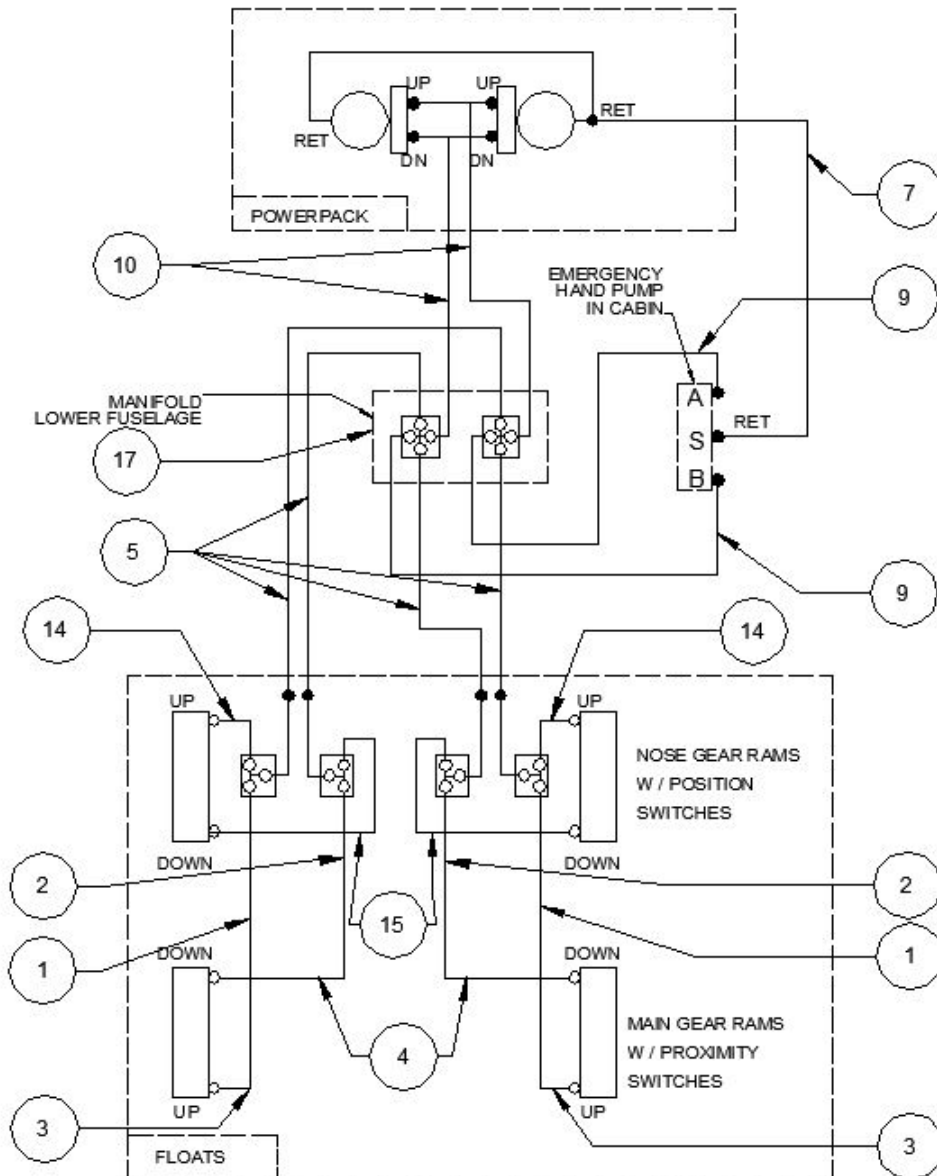
ITEM	QTY	PART NO.	PART DESCRIPTION
1	2	1004089-03	ASSEMBLY, HOSE, MAIN GEAR UNION TO MANIFOLD , UP
2	2	1004089-04	ASSEMBLY, HOSE, MAIN GEAR UNION TO MANIFOLD, DOWN
3	2	1004089-05	ASSEMBLY, HOSE, MAIN GEAR TO MAIN GEAR UNION, UP
4	2	1004089-06	ASSEMBLY, HOSE, MAIN GEAR TO MAIN GEAR UNION, DOWN
5	4	1004089-07	ASSEMBLY, HOSE, AIRCRAFT MANIFOLD TO FLOAT MANIFOLD
*	2	1004089-08	ASSEMBLY, HOSE, BRAKE LINE TO A/C
*	2	1004089-09	ASSEMBLY, HOSE, BRAKE LINE, GEAR TO STEP BULKHEAD
6	1	1004089-19	ASSEMBLY, HOSE, POWERPACK TO HAND PUMP, RETURN, C208 BI-DIRECTIONAL
7	2	1001089-24	ASSEMBLY, HOSE, MANIFOLD TO TEE FITTING, C208 UNI- DIRECTIONAL
8	2	1004089-25	ASSEMBLY, HOSE, HAND PUMP TO AIRCRAFT MANIFOLD, C208 BI-DIRECTIONAL
9	2	1004089-26	ASSEMBLY, HOSE, POWERPACK TO AIRCRAFT MANIFOLD, C208 BI-DIRECTIONAL
10	1	1004089-27	ASSEMBLY, HOSE, POWERPACK TO HAND PUMP, RETURN, C208B
11	2	1004089-28	ASSEMBLY, HOSE, HAND PUMP TO AIRCRAFT MANIFOLD, C208B
12	2	1004089-29	ASSEMBLY, HOSE, POWERPACK TO AIRCRAFT MANIFOLD, C208B
13	2	1004089-30	ASSEMBLY, HOSE, FLOAT MANIFOLD TO NOSE GEAR, UP
14	2	1004089-31	ASSEMBLY, HOSE, FLOAT MANIFOLD TO NOSE GEAR, DOWN
*	2	1004089-32	ASSEMBLY, HOSE, BRAKE LINE TO AIRCRAFT
15	1	1005709	ASSEMBLY, MANIFOLD, AIRCRAFT, BI-DIRECTIONAL
16	1	6A09000-027	ASSEMBLY, MANIFOLD, AIRCRAFT, UNI-DIRECTIONAL

* NOT SHOWN ON SCHEMATICS

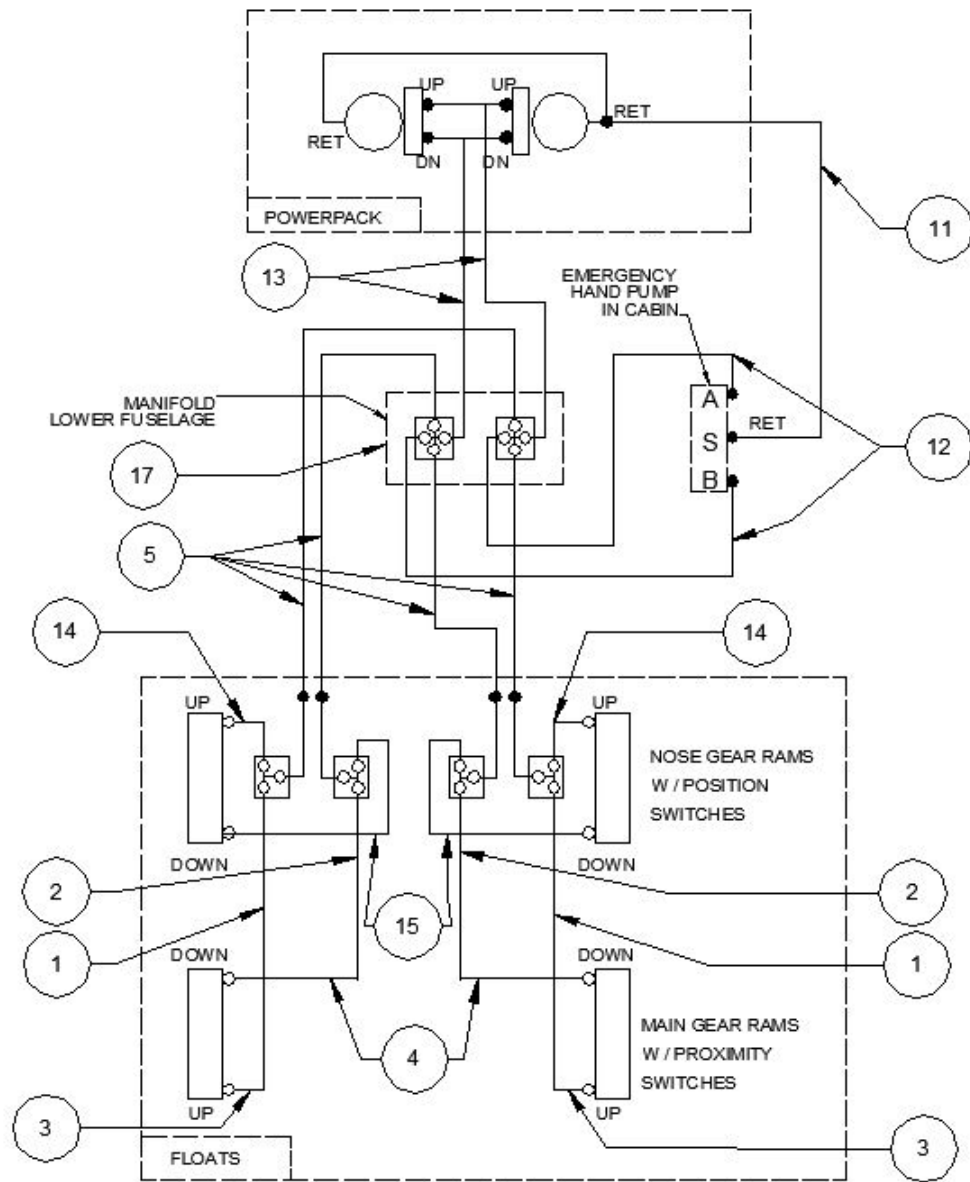
HYDRAULIC SCHEMATICS

PRE SERVICE LETTERS 216 & 218





208 HYDRAULIC SCHEMATIC BI-DIRECTIONAL

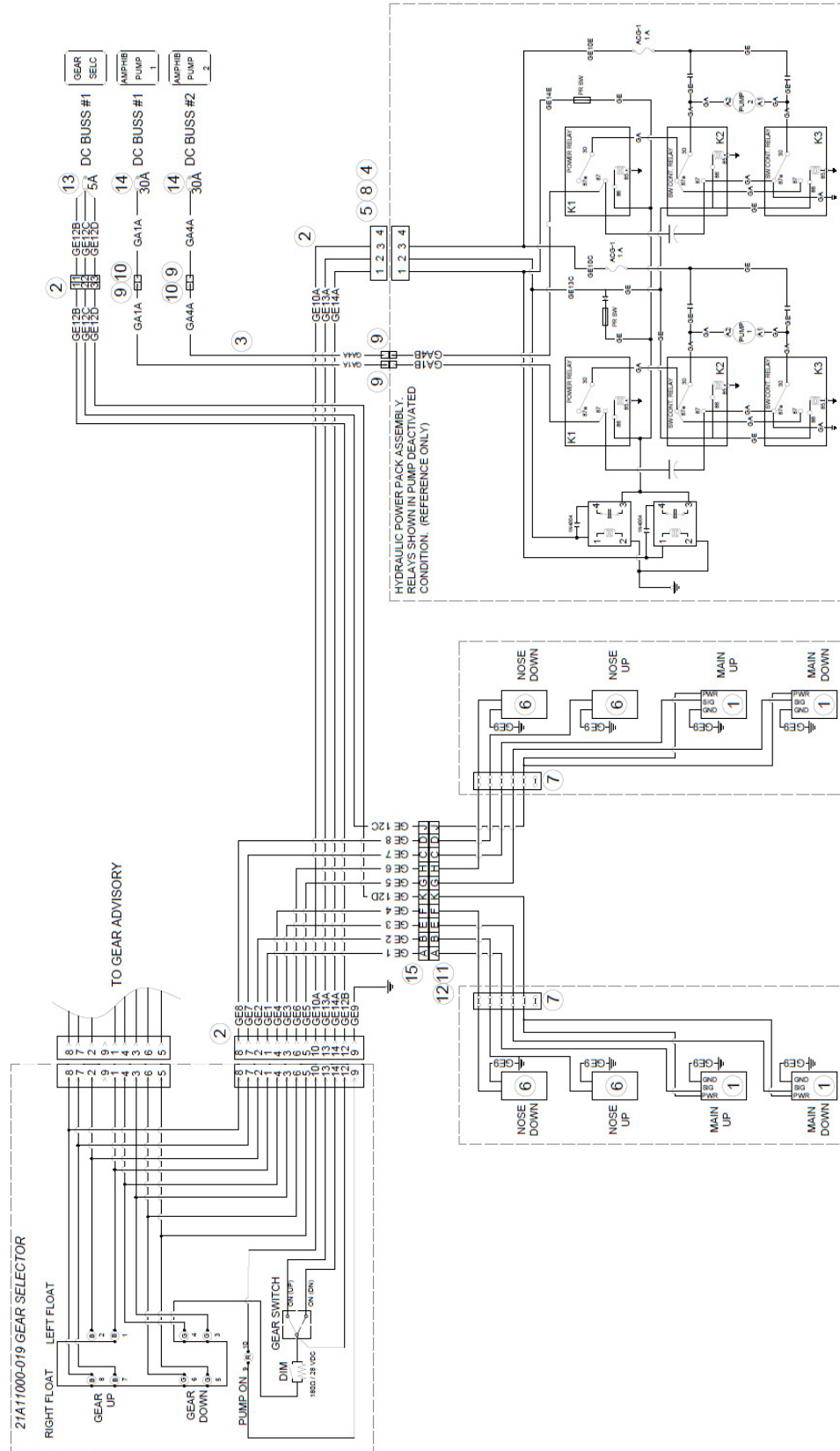


208B HYDRAULIC SCHEMATIC BI-DIRECTIONAL

ITEM	QTY	PART NO.	PART DESCRIPTION
1	2	1004089-03	MAIN - UP
2	2	1004089-04	MAIN - DOWN
3	2	1004089-05	GEAR - UP
4	2	1004089-06	GEAR - DOWN
5	4	1004089-07	MAIN TO DECK
6	-	1004089-08	BRAKE LINE TO A/C, 7000
7	1	1004089-19	RETURN - POWERPACK TO HAND PUMP
8	2	1004089-24	MANIFOLD TO TEE FITTING
9	2	1004089-25	HAND PUMP TO MANIFOLD
10	2	1004089-26	POWERPACK TO MANIFOLD
11	1	1004089-27	RETURN - POWERPACK TO HAND PUMP
12	2	1004089-28	HAND PUMP TO MANIFOLD
13	2	1004089-29	POWERPACK TO MANIFOLD
14	2	1004089-30	NOSE - UP, 8750
15	2	1004089-31	NOSE - DOWN, 8750
16	1	6A09000-027	MANIFOLD, HYDRAULIC
17	1	1005709	ASM, HYDAULIC MANIFOLD, 4-WAY
*	2	1004089-09	BRAKE TO STEP BULKHEAD
*	1	1004089-32	BRAKE LINE TO A/C, 8750

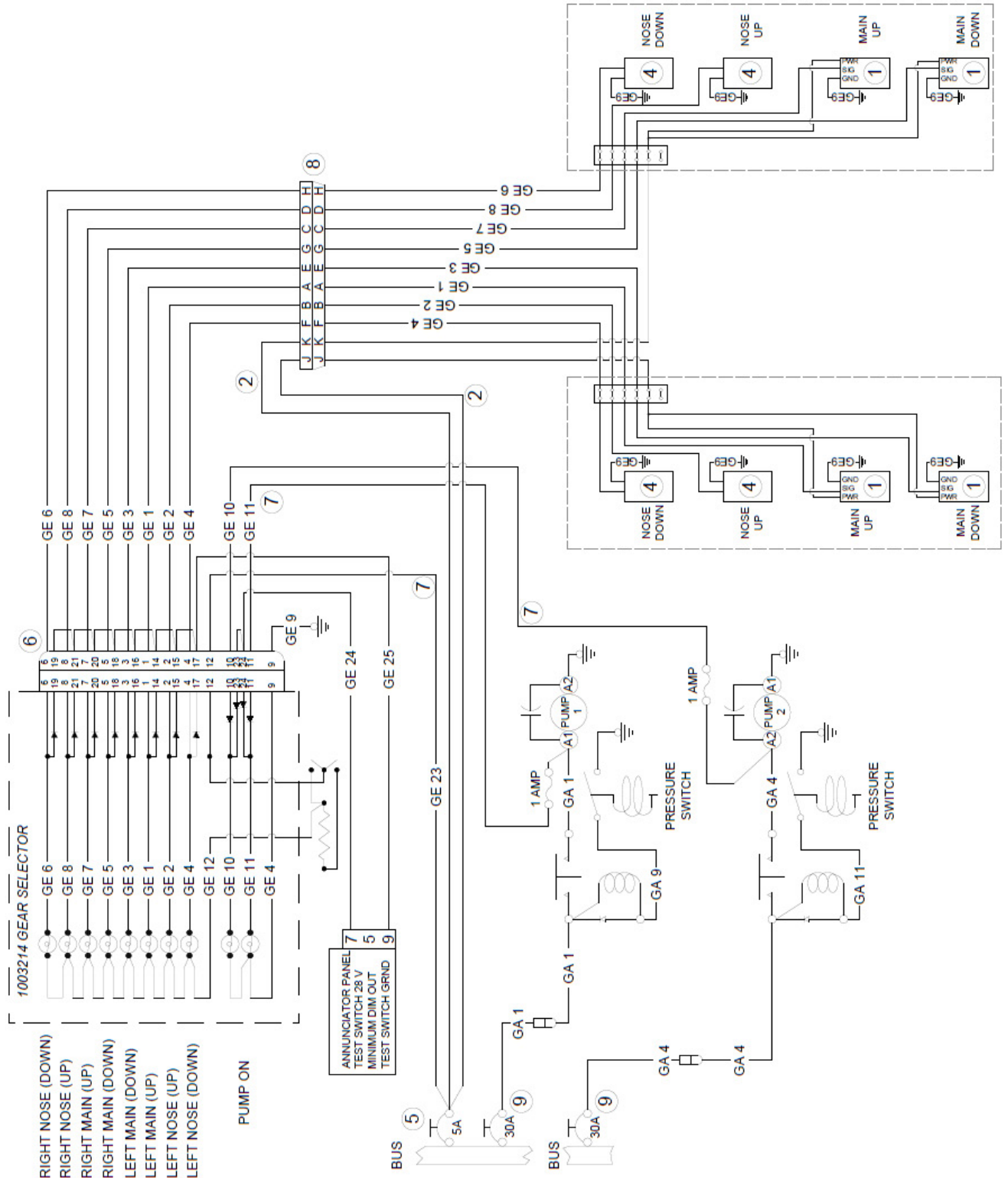
*NOT SHOWN ON SCHEMATICS

ELECTICAL SCHEMATIC BIDIRECTIONAL HYDRAULIC SYSTEM



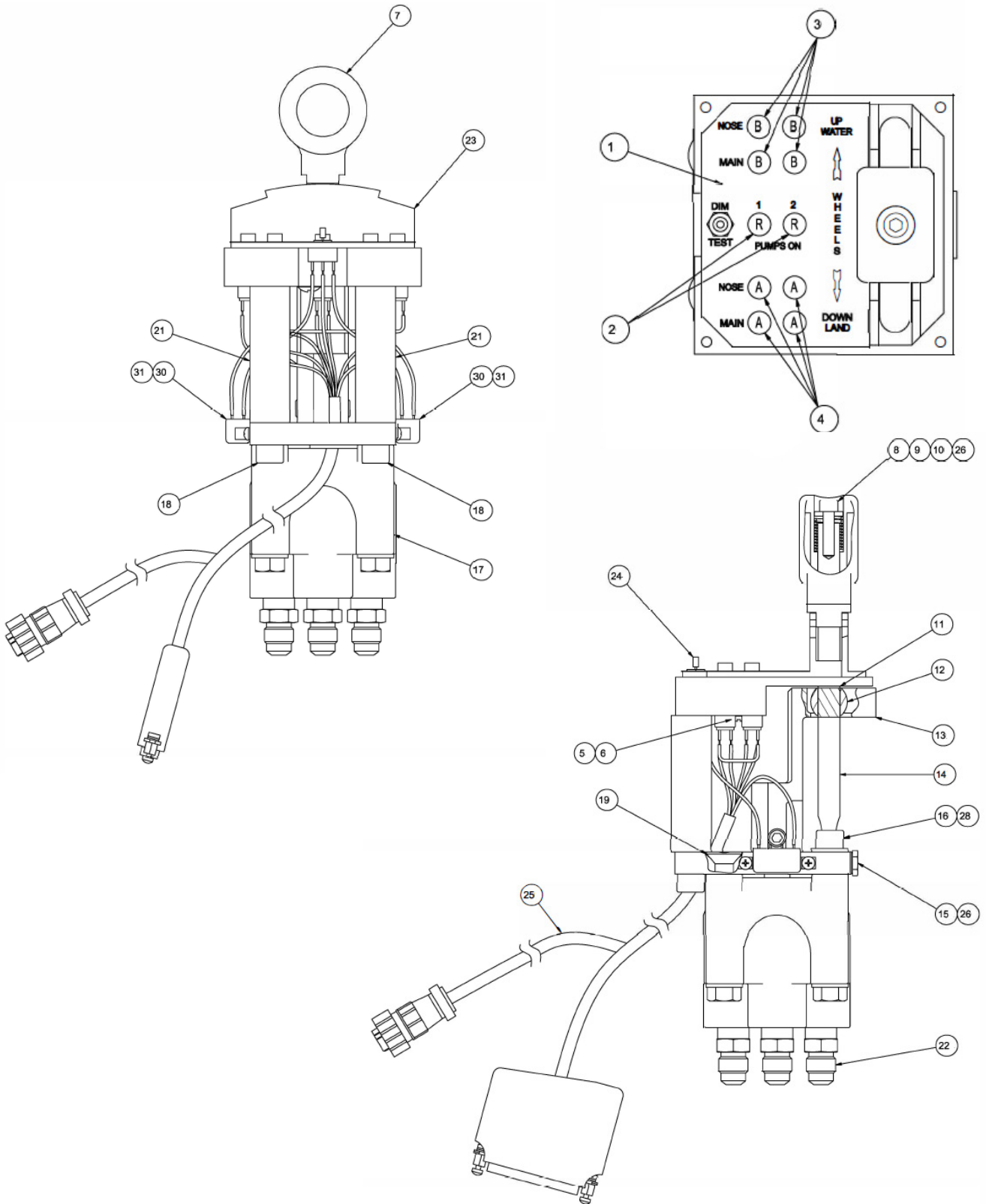
ITEM	QTY	PART NO.	PART DESCRIPTION
1	4	1004475	GEAR POSITION SWITCH, PROXIMITY
2	1	1004509	ASSEMBLY, WIRE HARNESS, MAIN
3	1	1004635	ASSEMBLY, WIRE HARNESS
4	1	206062-3	CPC CABLE CLAMP, SIZE 11
5	1	206430-2	CPC PLUG, 4 PIN, FEMALE #1
6	4	5801	GEAR POSITION SWITCH, PROXIMITY, MAGNETIC
7	2	6-140	TERMINAL BLOCK, 6 POSITION
8	3	66105- 4	CRIMP SOCKET, FEMALE, 24-20 AWG
9	4	73F-250-32-NL	CONNECTOR, FEMALE, 12-10AWG
10	2	73M-250-32-NL	CONNECTOR, MALE, 12-10AWG
11	1	M85049/52-1-12W	BACKSHELL
12	1	MS3476W12-10P	CONNECTOR KIT, PLUG, 10 POS, W/PINS
13	1	S1232-505	CIRCUIT BREAKER, SA
14	2	S1232-530	CIRCUIT BREAKER, 30A
15	1	S2 654-27	CONNECTOR KIT, RECEPT, 10 POS, W/PINS

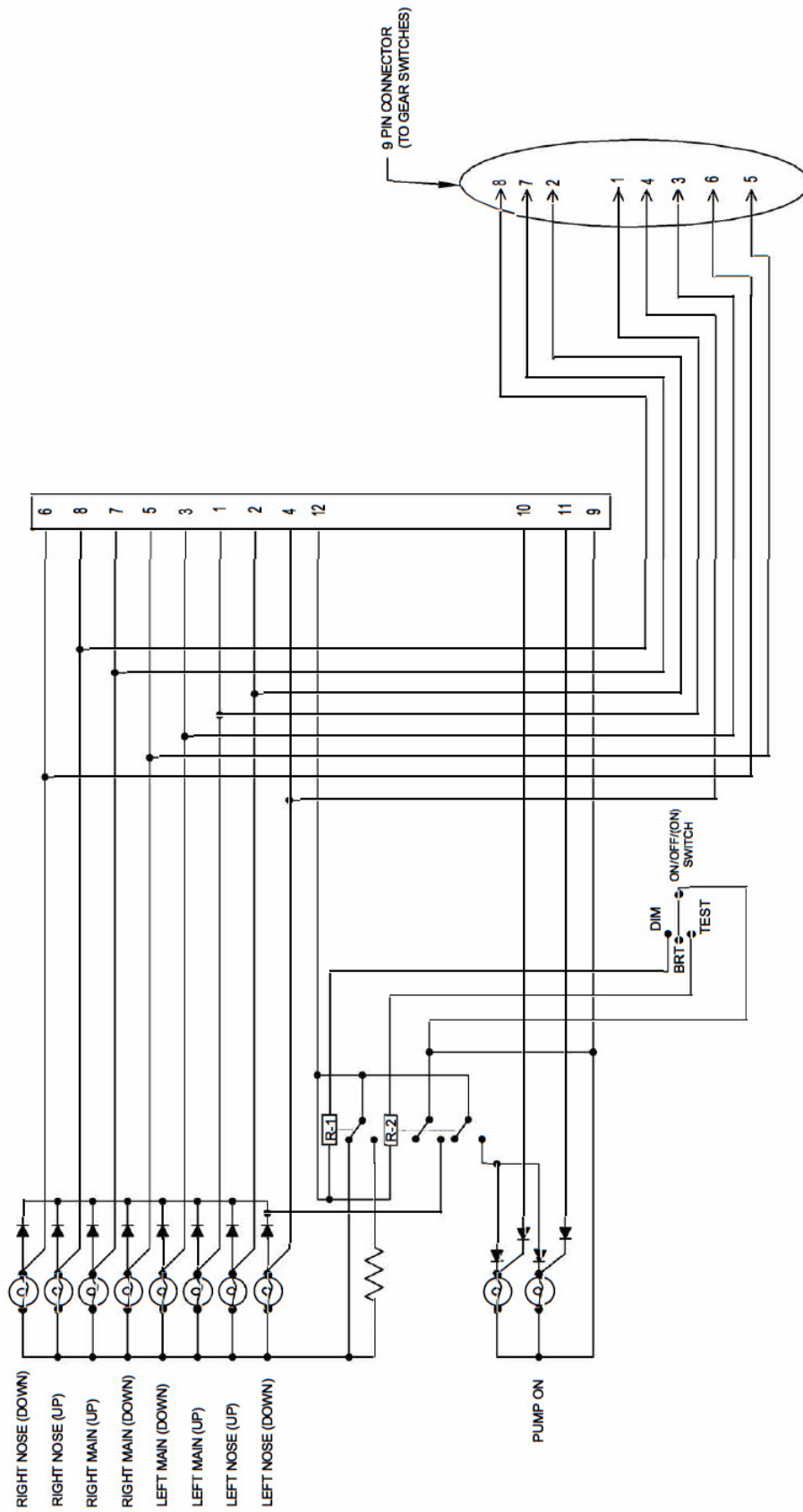
ELECTICAL SCHEMATIC UNIDIRECTIONAL HYDRAULIC SYSTEM



ITEM	QTY	PART NO.	PART DESCRIPTION
1	4	1004475	GEAR POSITION SWITCH, PROXIMITY
2	A/R	22759-16-9-20	WIRE, 20 AWG, WHITE
3	4	5801	GEAR POSITION SWITCH, PROXIMITY, MAGNETIC
4	2	6-140	TERMINAL BLOCK, 6 POSITION
5	1	7277-2-5	CIRCUIT BREAKER, 5 AMP
6	1	8A11000-021	ASSEMBLY, WIRE HARNESS
7	1	8A11000-022	ASSEMBLY, WIRE HARNESS
8	1	MS3476W12-10P	PLUG
-	1	MS3417-12A	CLAMP
-	8	M39029/4-110	PIN, MALE
-	8	M39029/5-115	PIN, FEMALE
9	2	S1232-530	CIRCUIT BREAKER, 30A

GEAR SELECTOR (UNIDIRECTIONAL) ASSEMBLY



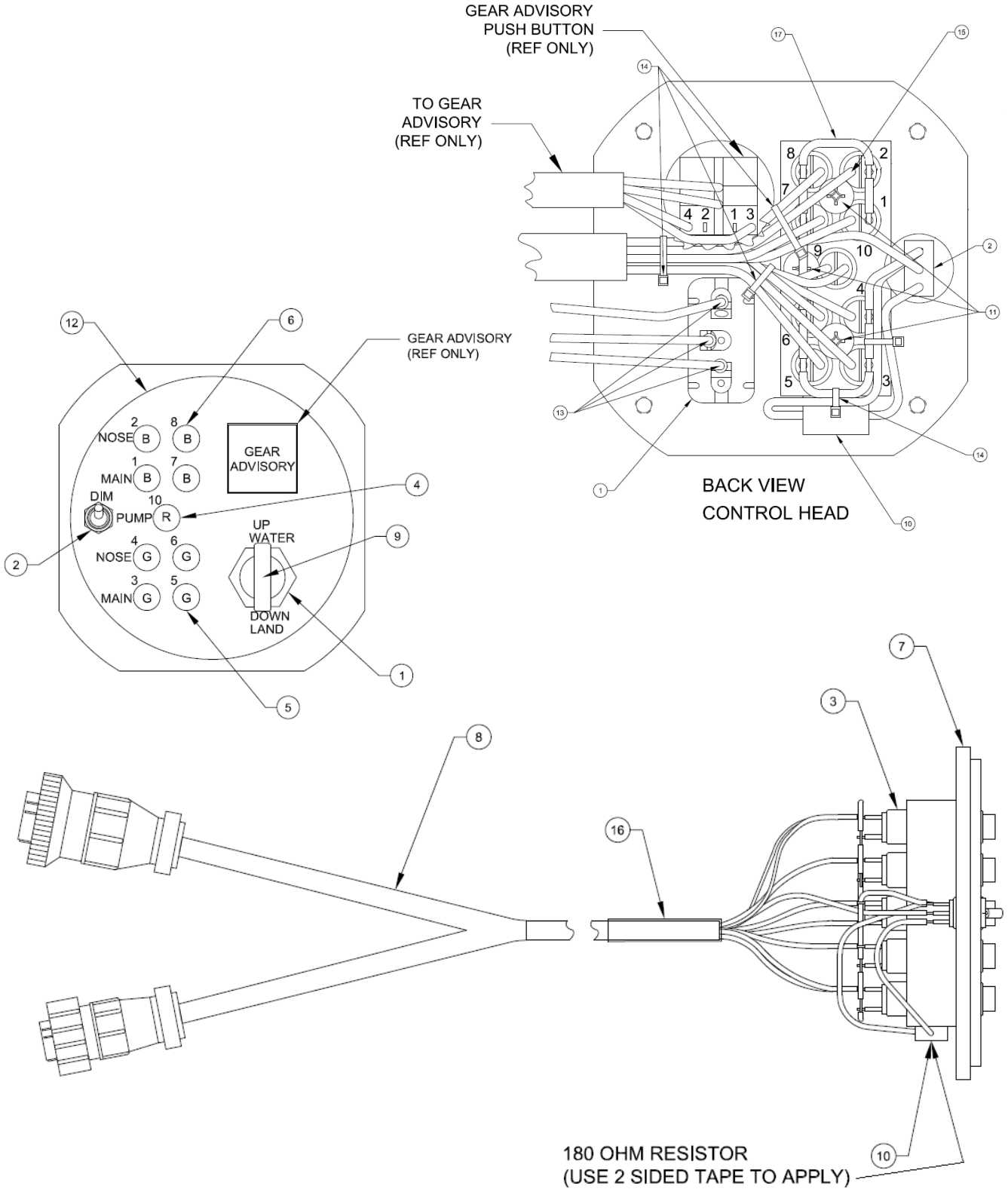


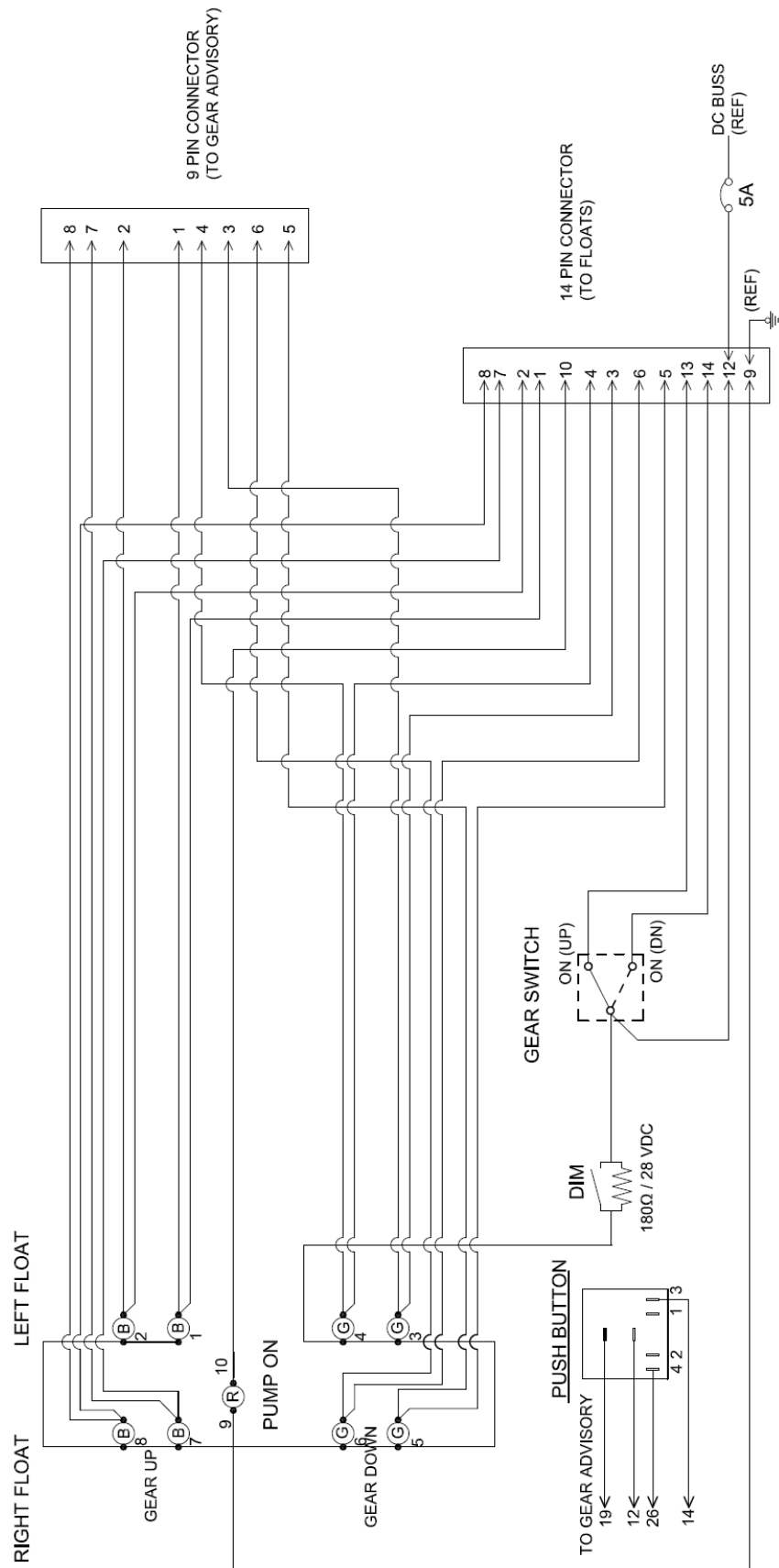
ELECTRICAL SCHEMATIC

PARTS MANUAL
8750 FLOATS ON CESSNA 208 AND 208B

ITEM	QTY	PART NO.	PART DESCRIPTION
-	1	1003214	ASSY, GEAR SLECTOR, G1000 EQUIPPED
1	1	1003216	PLACARD, GEAR SELECTOR
2	2	507-3918-1431-600	LAMP, RED 24V
3	4	507-3918-1434-600	LAMP, BLUE 24V
4	4	507-3918-1433-600	LAMP, AMBER 24V
5	10	515-0012	SOCKET
6	3	AN526-832-8	SCREW
7	1	6A11603-002	KNOB, GEAR SLECTOR
8	1	MS16996-10	CAP SCREW (SS 1032 X ½)
9	1	6A11274-002	WASHER, SELECTOR KNOB
10	1	6A09713-001	SPRING, SELECTOR, MODIFIED
11	2	NAS1149D0616J	WASHER, ALUMINUM
12	1	6A11704-001	ROLLER, CONTROL ROD
13	1	6A11032-002	LINK, HYDRAULIC CONTROL VALVE
14	1	6A11506-001	ROD, HANDLE, HYD. CONTROL VALVE
15	1	NAS6203-7	BOLT, 0.19-32 THREAD, 0.761" LENGTH, 0.438" GRIP
16	2	MS16997-80	SCREW, CAP, SOCKET HEAD, 5/16-16X1.000, STEEL
17	1	6A09000-080	ASSY. BARKSDALE CONTROL VALVE
18	2	MS16997-88	SCREW, CAP, SOCKET HEAD, 5/16-16X3.000 LENGTH, STEEL
19	2	MS24667-40	BOLT, CSK
20	1	1003213	FITTING, HYDRAULIC CONTROL VALVE
21	2	6A11278-001	SPACER, HYDRAULIC CONTROL VALVE
22	4	AN816-5-4D	NIPPLE, FLARED TUBE AND PIPE THREAD
23	1	8A11199-006	BLOCK, HYDRAULIC CONTROL VALVE
24	1	65F1654	SWITCH, MINATURE DIM (NEWARK)
25	1	1003215	ASSY, WIRING HARNESS, GEAR SELECTOR, (G1000)
26	2	MS35333-39	WASHER, STAR
27	1	RH-5-180	RESISTOR, 28V
28	2	NAS1149F0563P	WASHER, AIRFRAME, CARBON STEEL, TO FIT DIA 5/16"
29	1	HS105-3/32-0	HEAT SHRINK, TUBING, BLACK (3.4 FT)
30	2	3-1617029-2	RELAY
31	4	MS35206-212	SCREW

GEAR SELECTOR (BIDIRECTIONAL) ASSEMBLY





ITEM	QTY	PART NO.	PART DESCRIPTION
-	1	21A11000-019	ASSY., GEAR SELECTOR, ROUND (24V)
1	1	8857K44	SWITCH
2	1	A101SYCB	TOGGLE SWITCH, SPDT, ON-ON
3	9	515-0012	SOCKET
4	1	507-3918-1431-600	INDICATOR LAMP, 28V, RED
5	4	507-3918-1432-600	INDICATOR LAMP, 28V, GREEN
6	4	507-3918-1434-600	INDICATOR LAMP, 28V, BLUE
7	1	21A11179-001	BLOCK, GEAR CONTROL
8	1	4A11000-008	HARNESS ASSEMBLY, GEAR SELECTOR
9	1	21A11259-003	GEAR SWITCH KNOB
10	1	RH-5-180	RESISTOR, 28V, DALE RH5 5W
11	3	AN526-632R8	SCREW, TRUSS HEAD, 6-32
12	1	10B3-6202	PLACARD, ROUND2100 GEAR SELECTOR
13	3	R-3	RING CONNECTOR, #6, 20 AWG, RED
14	5	PLT1M-M	CABLE TIE
15	16"	HIXR-3/16	SHRINK WRAP, 3/16, WHITE
16	3"	HS105-1/2-0	HEAT SHRINK TUBING
17	6"	22759-16-20-9	WIRE, 20AWG, WHITE

SECTION 12

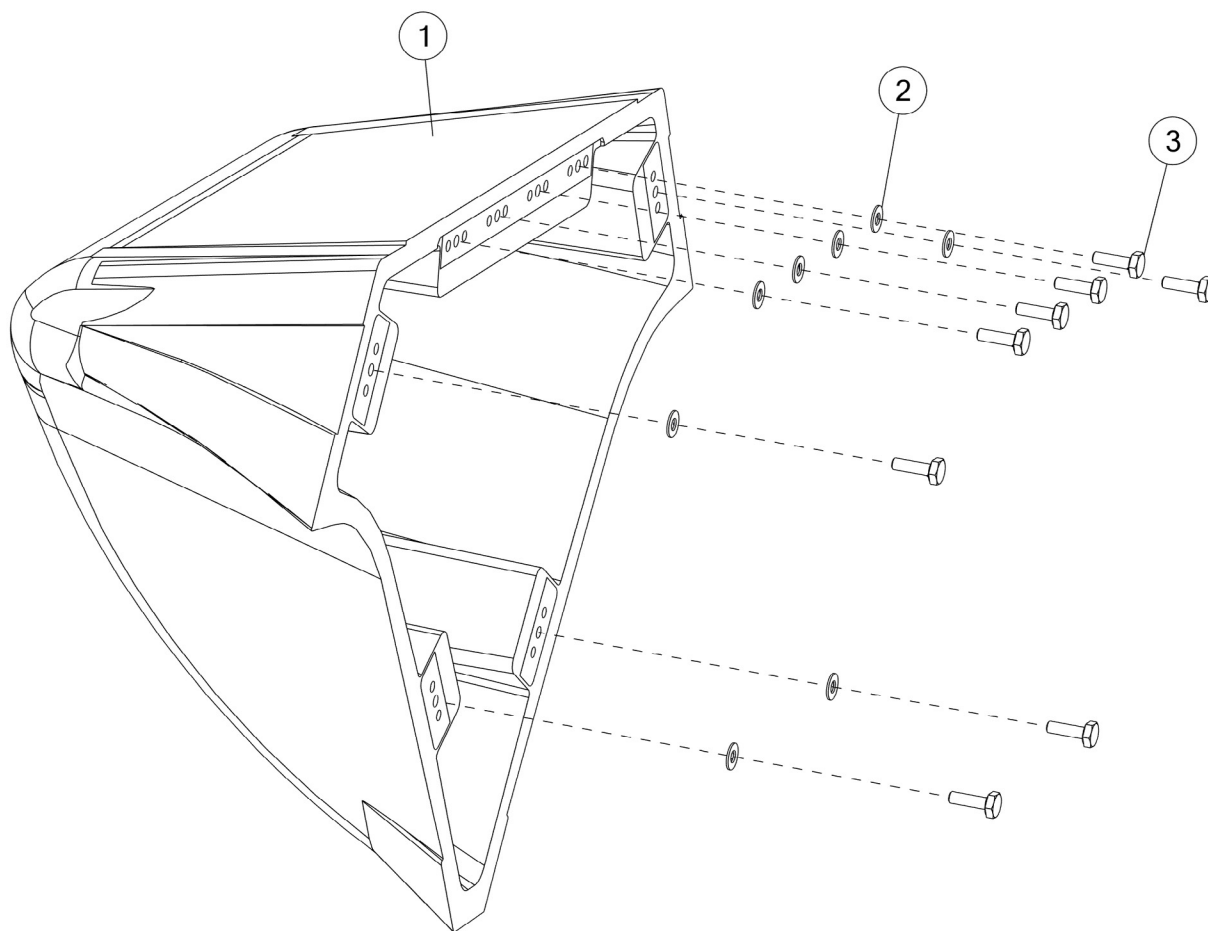
8750 STRAIGHT FLOATS

THE FOLLOWING PARTS ARE SPECIFIC TO THE 8750S MODEL FLOAT. ALL PARTS NOT SHOWN BELOW SHARE THE SAME PARTS AS THE AMPHIBIAN MODEL FLOAT AND CAN BE FOUND ABOVE.

CONTENTS

NOSE BUMPER	240
BULKHEAD 1 ASSEMBLY	241
BULKHEAD 2 ASSEMBLY	242
KEEL AND BOTTOM SKINS	243
SIDE SKIN, OUTBOARD, BH04-BH-09 STRAIGHT LEFT FLOAT	244
SIDE SKIN, OUTBOARD, BH04-BH-09 STRAIGHT RIGHT FLOAT	245
TOP DECK - LEFT FLOAT	246
TOP DECK - RIGHT FLOAT	247
WHEEL WELL - LEFT FLOAT	248
WHEEL WELL - RIGHT FLOAT	249
BULKHEAD 10 LEFT FLOAT ASSEMBLY	250
BULKHEAD 10 RIGHT FLOAT ASSEMBLY	253
BULKHEAD 11 LEFT FLOAT ASSEMBLY	256
BULKHEAD 11 RIGHT FLOAT ASSEMBLY	258
WHEEL WELL LEFT PANEL ASSEMBLY	260
WHEEL WELL RIGHT PANEL ASSEMBLY	261

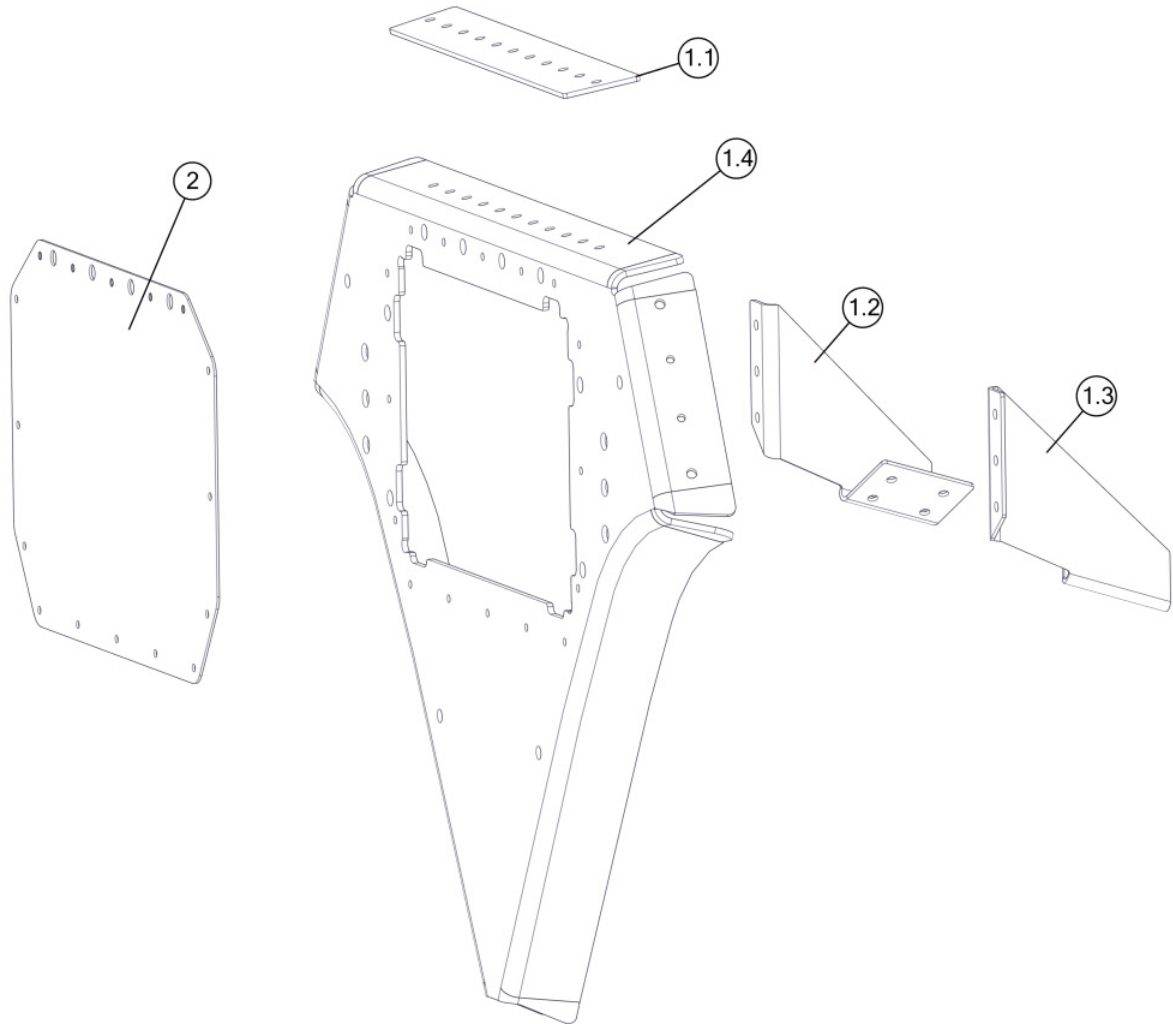
NOSE BUMPER



ITEM	QTY	PART NO.	PART DESCRIPTION
1	1	1009150	ASSY, BUMPER, NOSE
-	1	1009154	ASSY, RETAINER, NUTPLATE, LARGE, NOSE BUMPER*
-	4	1009153	ASSY, RETAINER, NUTPLATE, SMALL, NOSE BUMPER*
2	8	NAS1149F0332P	WASHER SIZE #10 OD.438 ID.203 THK.03
3	8	AN3-5A	BOLT SIZE 10-32, LENGTH +/- 1/64 - 21/32, GRIP LENGTH 1/4

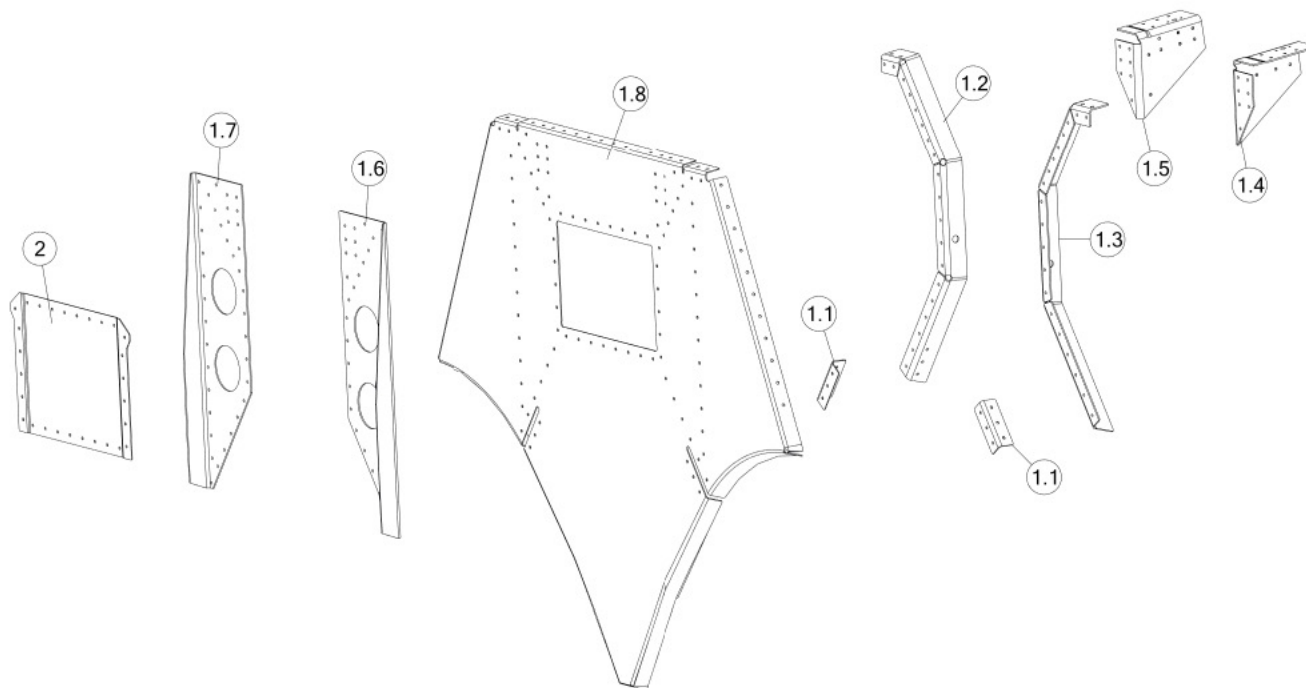
*NOT SOLD SEPARATELY

BULKHEAD 1 ASSEMBLY



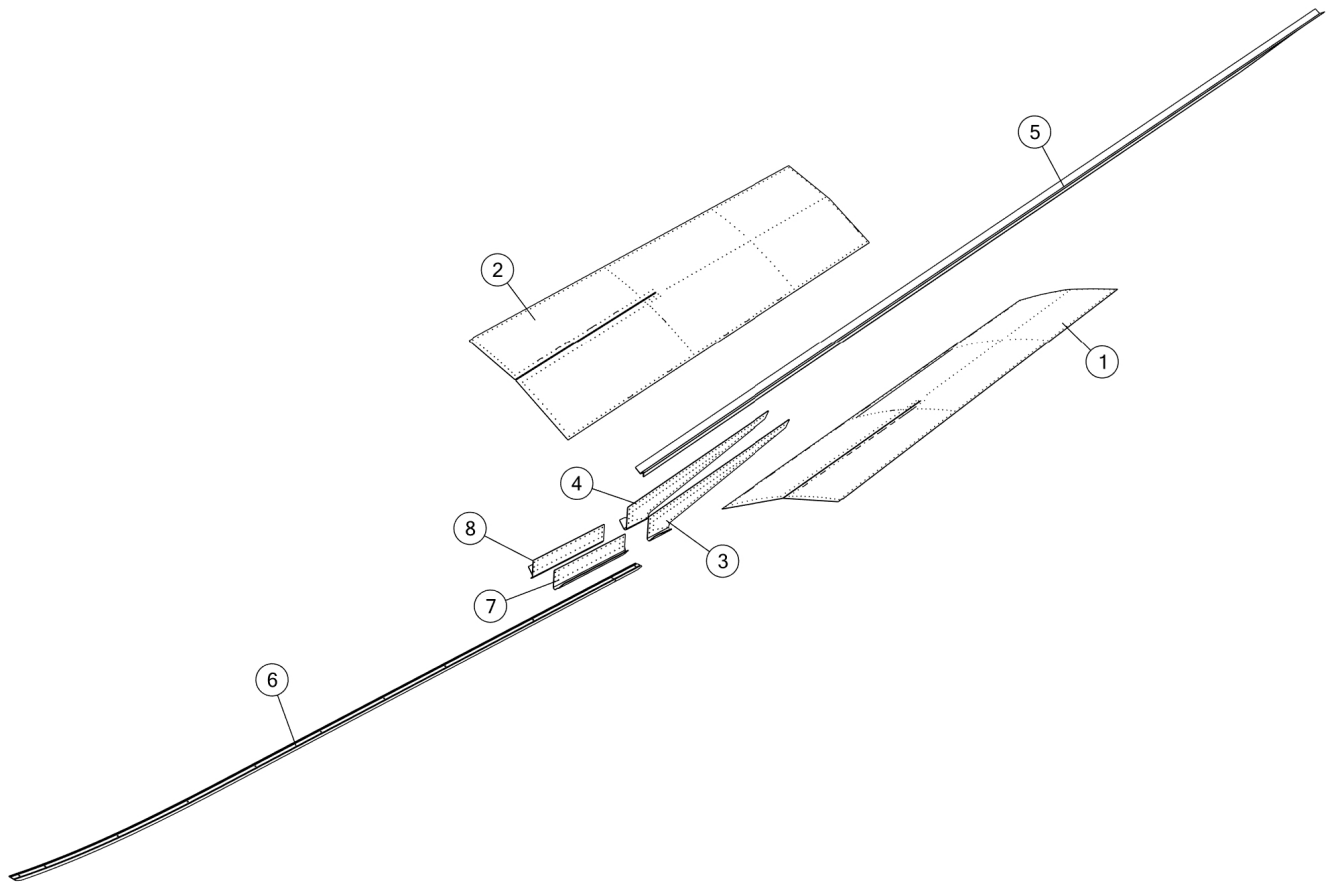
ITEM	QTY	PART NO.	PART DESCRIPTION
1	1	1006649	ASSY, BULKHEAD 1
1.1	1	1003143	SPACER, TOP SKIN, BULKHEAD 1
1.2	1	1003663	BRACKET, RH, SISTER KEEL, BULKHEAD 1
1.3	1	1003664	BRACKET, LH, SISTER KEEP, BULKHEAD 1
1.4	1	1006608	PANEL, BULKHEAD 1
2	1	1006645	COVER, BULKHEAD 1

BULKHEAD 2 ASSEMBLY



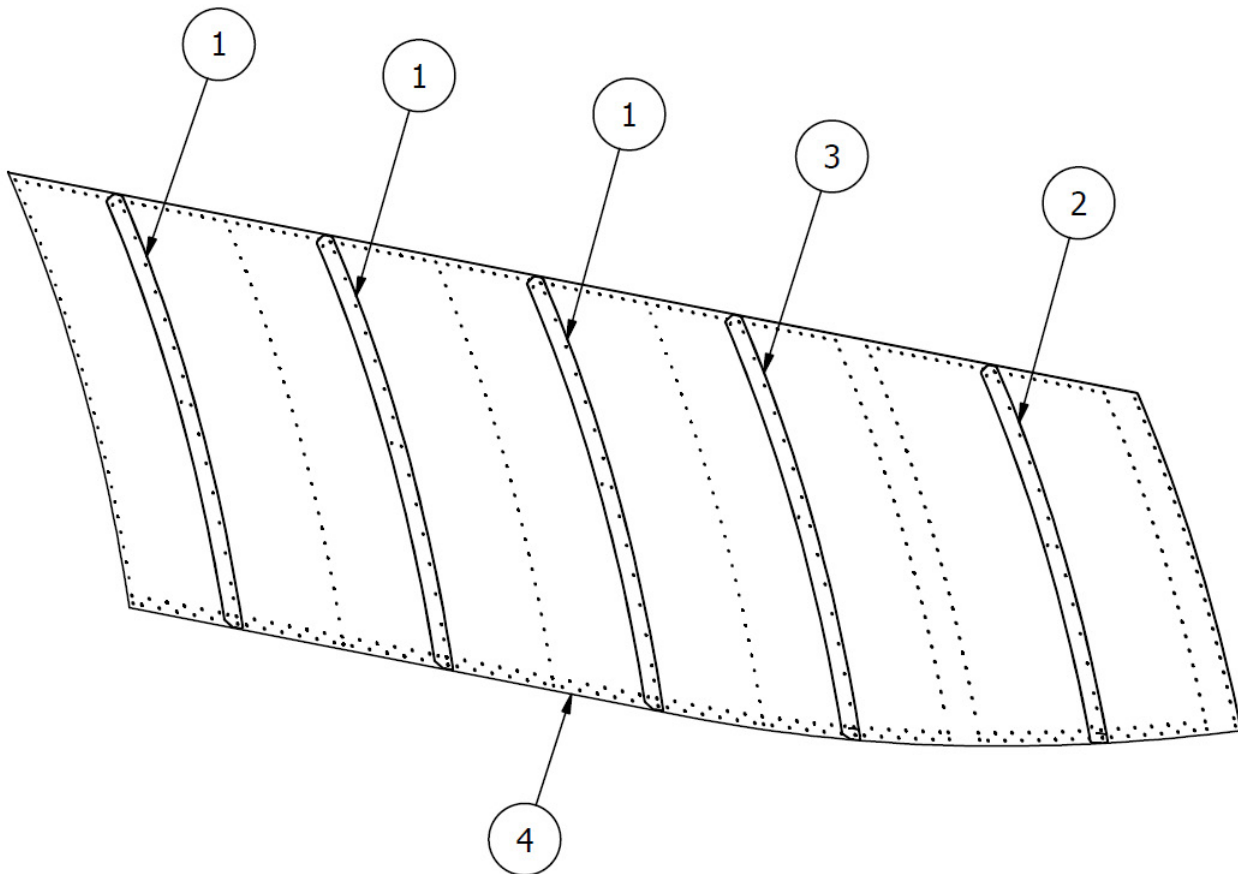
ITEM	QTY	PART NO.	PART DESCRIPTION
-	1	1006646	BULKHEAD 2 ASSEMBLY
1.1	2	1003694	CLEAT, BULKHEAD 2
1.2	1	1003730	SUPPORT, NOSE BOX, RH, BULKHEAD 2
1.3	1	1003731	SUPPORT, NOSE BOX, LH, BULKHEAD 2
1.4	1	1006136	GUSSET, RAIL, LEFT, BULKHEAD 2
1.5	1	1006137	GUSSET, RAIL, RIGHT, BULKHEAD 2
1.6	1	1006138	STIFFENER, NOSE BOX SUPPORT, LEFT, BULKHEAD 2
1.7	1	1006139	STIFFENER, NOSE BOX SUPPORT, RIGHT, BULKHEAD 2
1.8	1	1006609	PANEL, BULKHEAD 2
2	1	1006647	COVER, BULKHEAD 2

KEEL AND BOTTOM SKINS



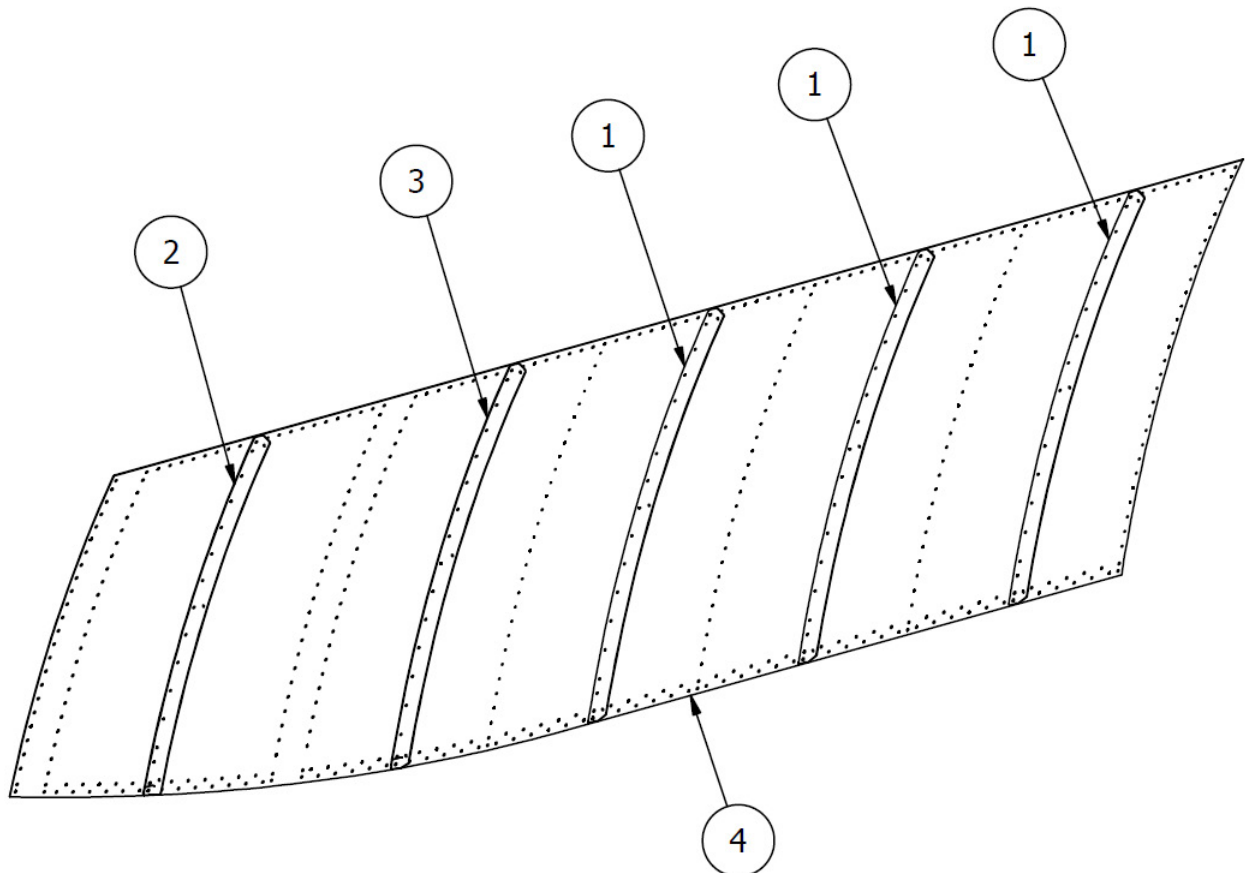
ITEM	QTY	PART NO.	PART DESCRIPTION
1	1	1006636	SKIN, BOTTOM, LH, BULKHEAD 10-13
2	1	1006637	SKIN, BOTTOM, RH, BULKHEAD 10-13
3	1	1006634	DOUBLER, SKEG PLATE, LH
4	1	1006635	DOUBLER, SKEG PLATE, RH
5	1	1006639	KEEL, MAIN, AFT
6	1	1006640	WEAR STRIP, KEEL, MAIN
7	1	1009211	DOUBLER, SKEG, FWD, LH
8	1	1009212	DOUBLER, SKEG, FWD, RH

SIDE SKIN, OUTBOARD, BH04-BH-09 STRAIGHT LEFT FLOAT



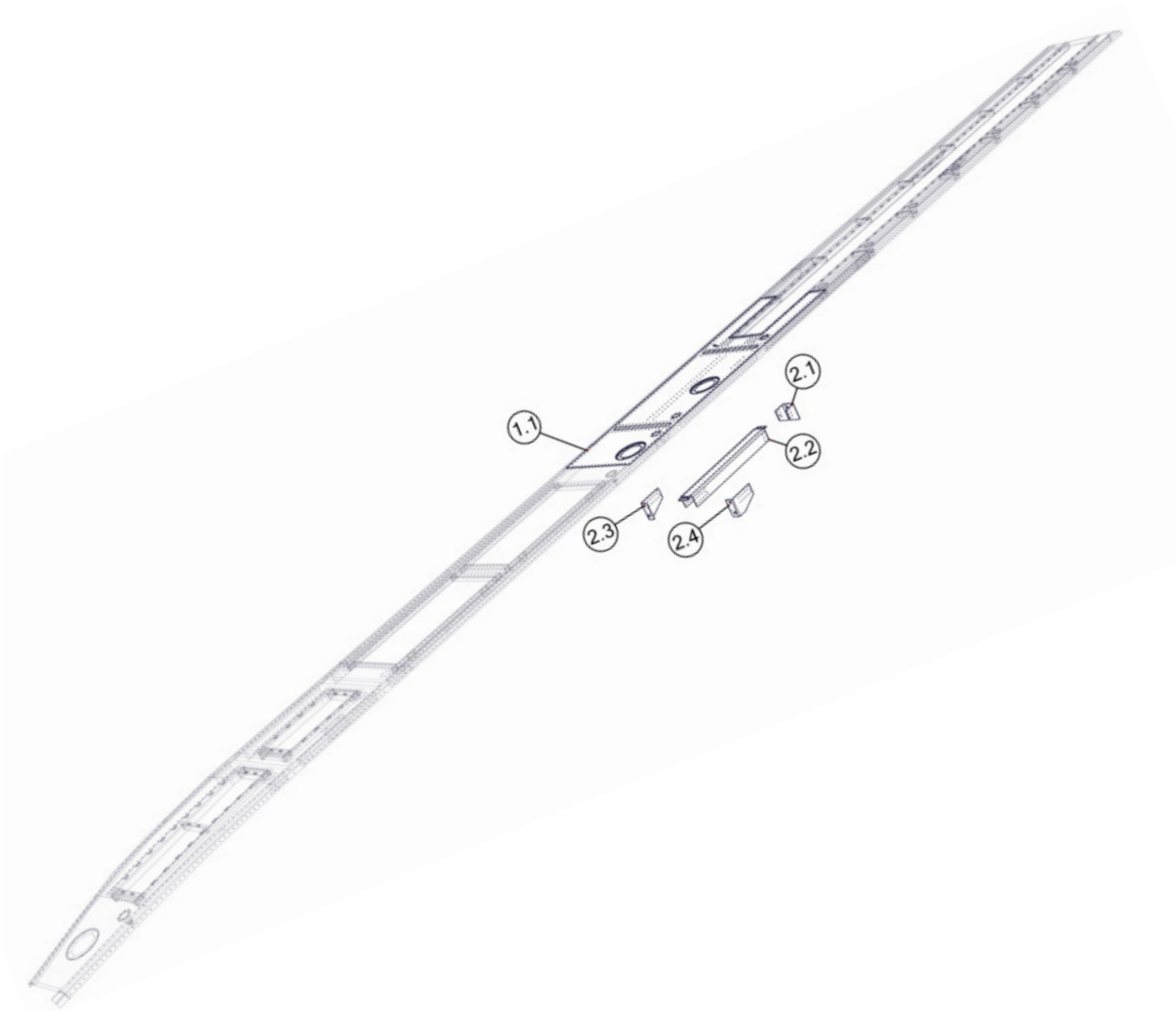
ITEM	QTY	PART NO.	PART DESCRIPTION
1	3	1003577	STIFFENER, SIDE SKIN, LEFT
2	1	1006140	STIFFENER, SIDE SKIN, LEFT
3	1	1006142	STIFFENER, SIDE SKIN, LEFT
4	1	1009283	SKIN, SIDE, OUTBOARD, BULKHEAD 4-9

SIDE SKIN, OUTBOARD, BH04-BH-09 STRAIGHT RIGHT FLOAT



ITEM	QTY	PART NO.	PART DESCRIPTION
1	3	1003578	STIFFENER, SIDE SKIN, RIGHT
2	1	1006141	STIFFENER, SIDE SKIN, RIGHT
3	1	1006143	STIFFENER, SIDE SKIN, RIGHT
4	1	1009284	SKIN, SIDE, OUTBOARD, RH, BH04-BH09

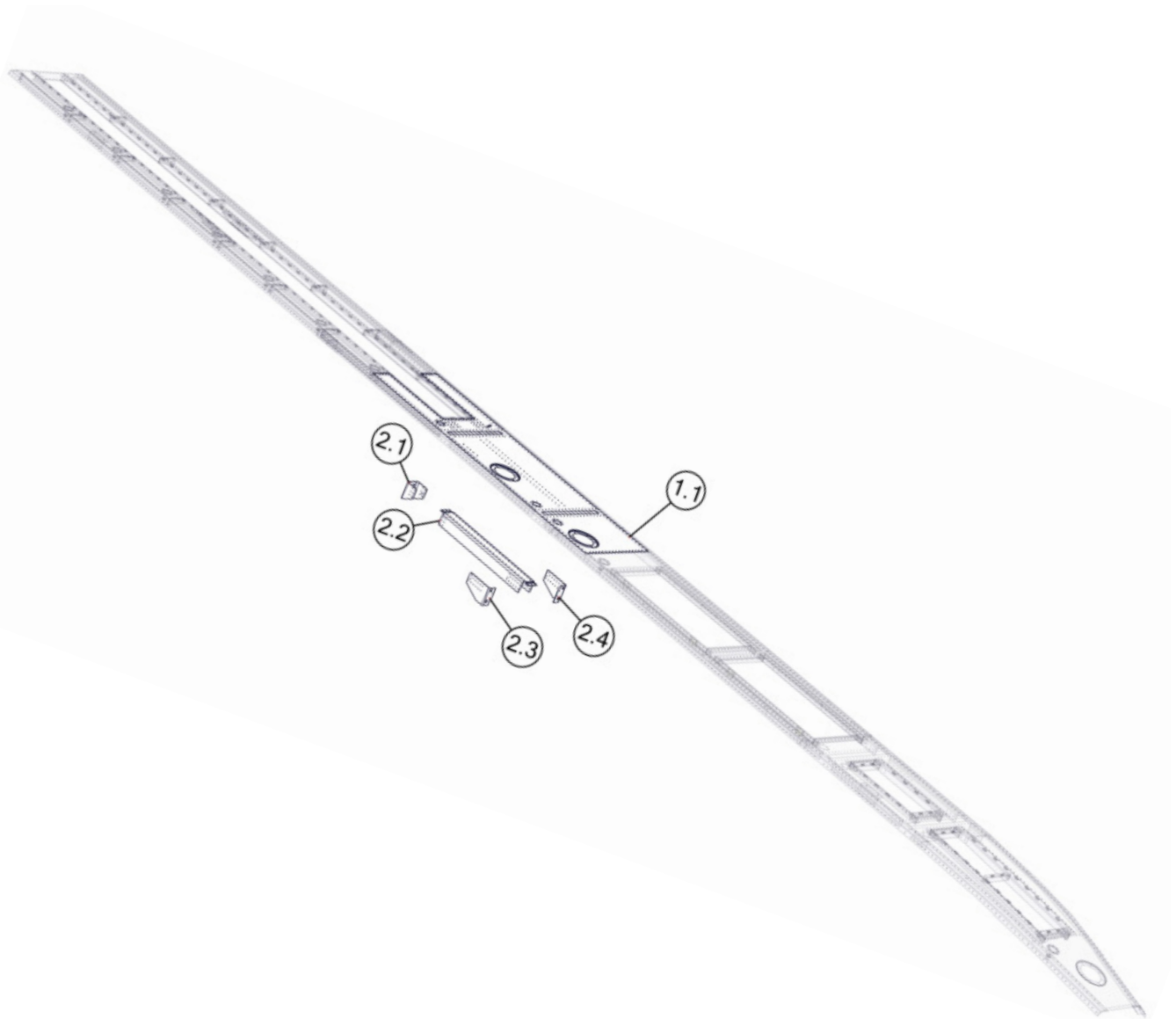
TOP DECK - LEFT FLOAT



ITEM	QTY	PART NO.	PART DESCRIPTION
-	1	1006602	ASSEMBLY, TOP DECK, LEFT FLOAT
1.1	2	1006612	SKIN, TOP, WHEEL WELL, LEFT FLOAT
2	1	1009297	ASSEMBLY, CHANNEL, TOP DECK, WHEEL WELL, LEFT FLOAT
2.1	1	1004002	MOUNT, LH, CHANNEL, GEAR
2.2	1	1006623	CHANNEL, TOP DECK, WHEEL WELL
2.3	1	1009312	BRACKET, RH, CHANNEL, TOP DECK, WHEEL WELL
2.4	1	1009313	BRACKET, LH, CHANNEL, TOP DECK, WHEEL WELL

*REFER TO THE AMPHIBIAN TOP DECK ASSEMBLY SECTION FOR THE REMAINING SHADED COMPONENTS IN ASSEMBLY 1006602.

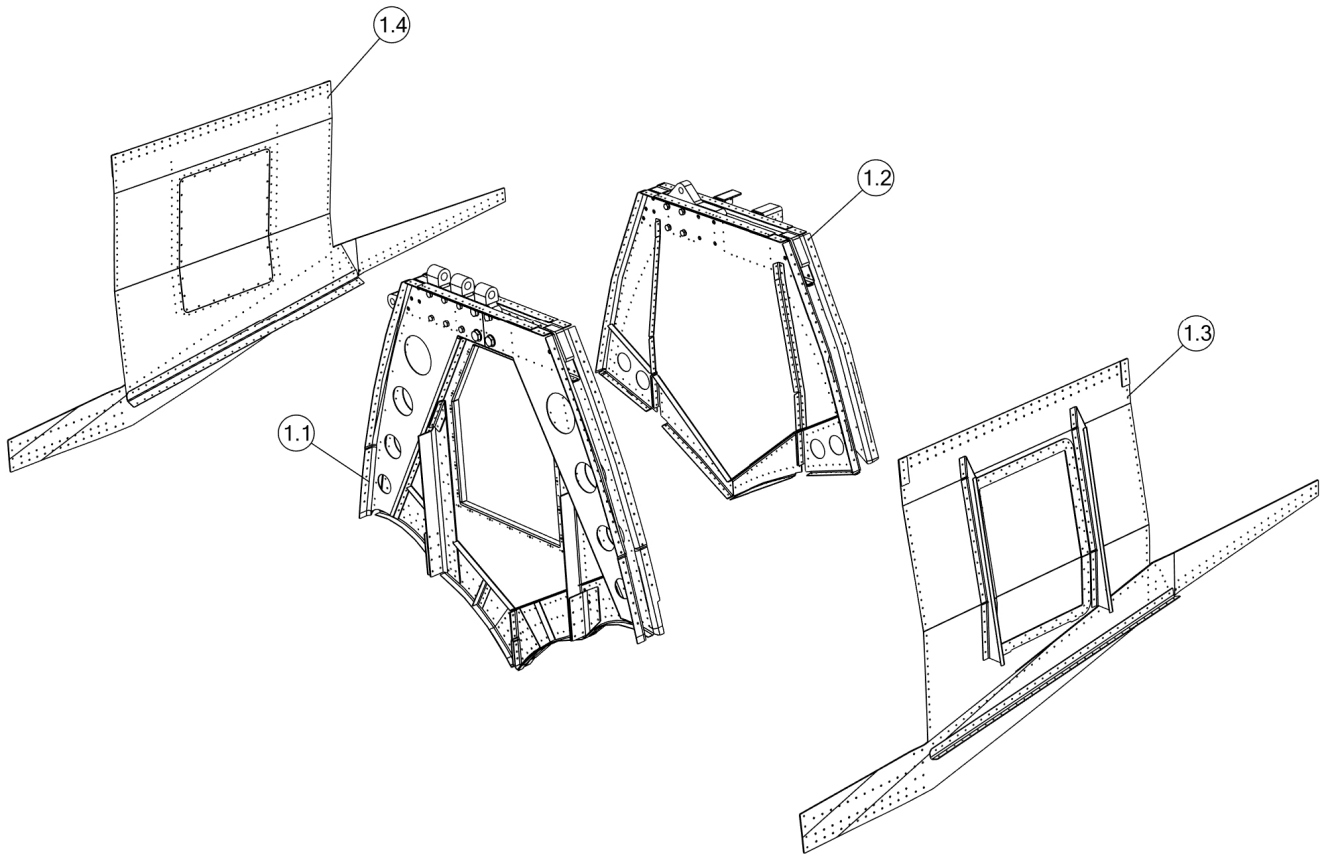
TOP DECK - RIGHT FLOAT



ITEM	QTY	PART NO.	PART DESCRIPTION
-	1	1006603	ASSEMBLY, TOP DECK, RIGHT FLOAT
1.1	2	1006613	SKIN, TOP, WHEEL WELL, RIGHT FLOAT
2	1	1009298	ASSEMBLY, CHANNEL, TOP DECK, WHEEL WELL, RT. FLOAT
2.1	1	1004003	MOUNT, RH, CHANNEL, GEAR
2.2	1	1006623	CHANNEL, TOP DECK, WHEEL WELL
2.3	1	1009312	BRACKET, RH, CHANNEL, TOP DECK, WHEEL WELL
2.4	1	1009313	BRACKET, LH, CHANNEL, TOP DECK, WHEEL WELL

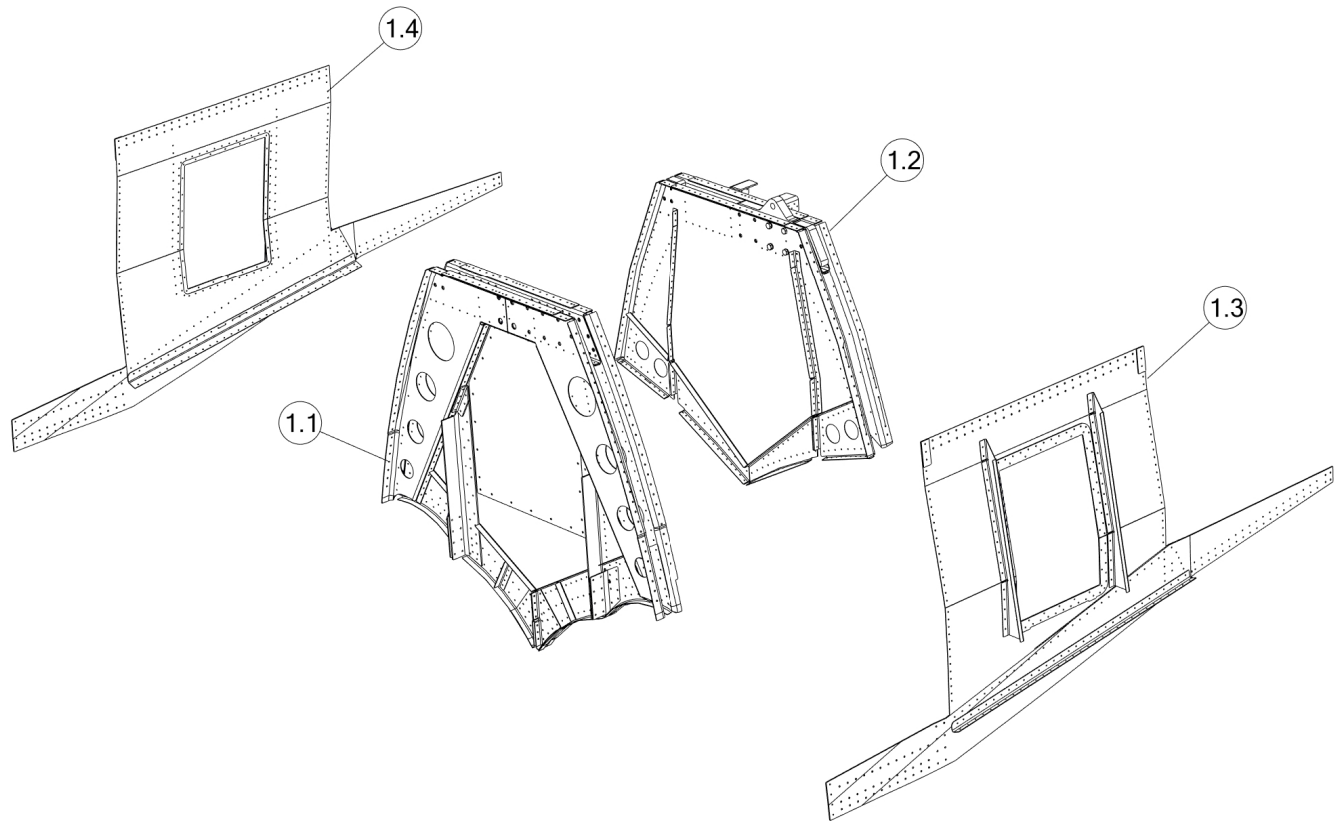
*REFER TO THE AMPHIBIAN TOP DECK ASSEMBLY SECTION FOR THE REMAINING SHADED COMPONENTS IN ASSEMBLY 1006603.

WHEEL WELL - LEFT FLOAT



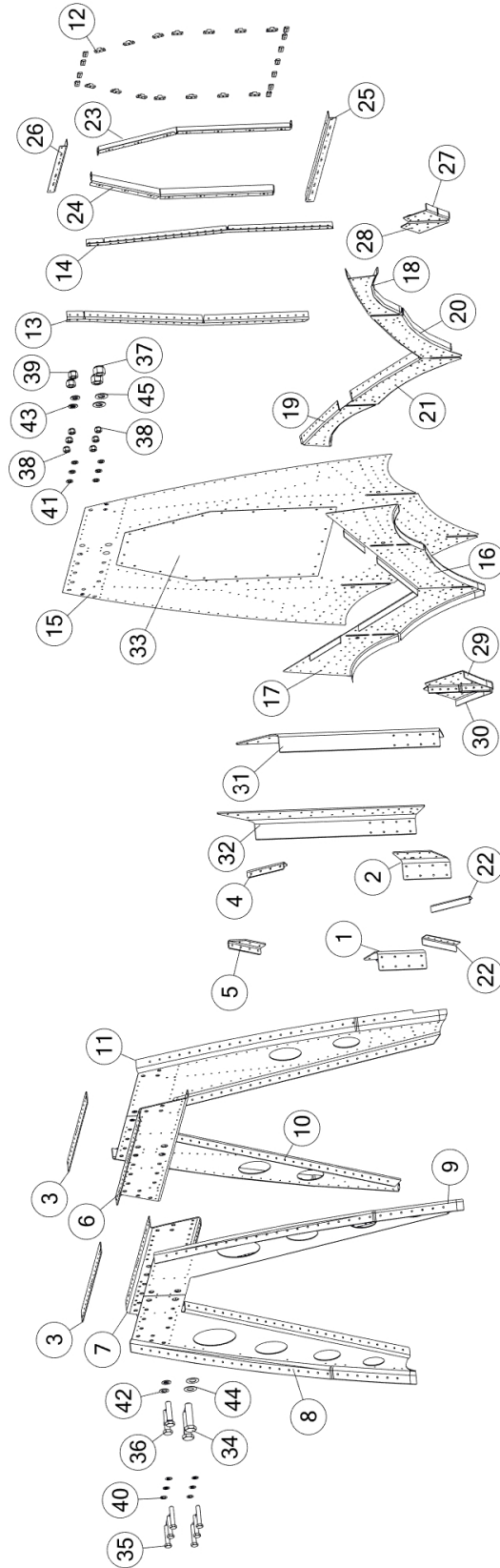
ITEM	QTY	PART NO.	PART DESCRIPTION
-	1	1006600	ASSEMBLY, WHEEL WELL, LEFT FLOAT
1.1	1	1006604	ASSEMBLY, BULKHEAD 10, LEFT FLOAT
1.2	1	1006606	ASSEMBLY, BULKHEAD 11, LEFT FLOAT
1.3	1	1006643	ASSEMBLY, PANEL, WHEEL WELL, LH
1.4	1	1006644	ASSEMBLY, PANEL, WHEEL WELL, RH

WHEEL WELL - RIGHT FLOAT



ITEM	QTY	PART NO.	PART DESCRIPTION
-	1	1006601	ASSEMBLY, WHEEL WELL, RIGHT FLOAT
1.1	1	1006605	ASSEMBLY, BULKHEAD 10, RIGHT FLOAT
1.2	1	1006607	ASSEMBLY, BULKHEAD 11, RIGHT FLOAT
1.3	1	1006643	ASSEMBLY, PANEL, WHEEL WELL, LH
1.4	1	1006644	ASSEMBLY, PANEL, WHEEL WELL, RH

BULKHEAD 10 LEFT FLOAT ASSEMBLY



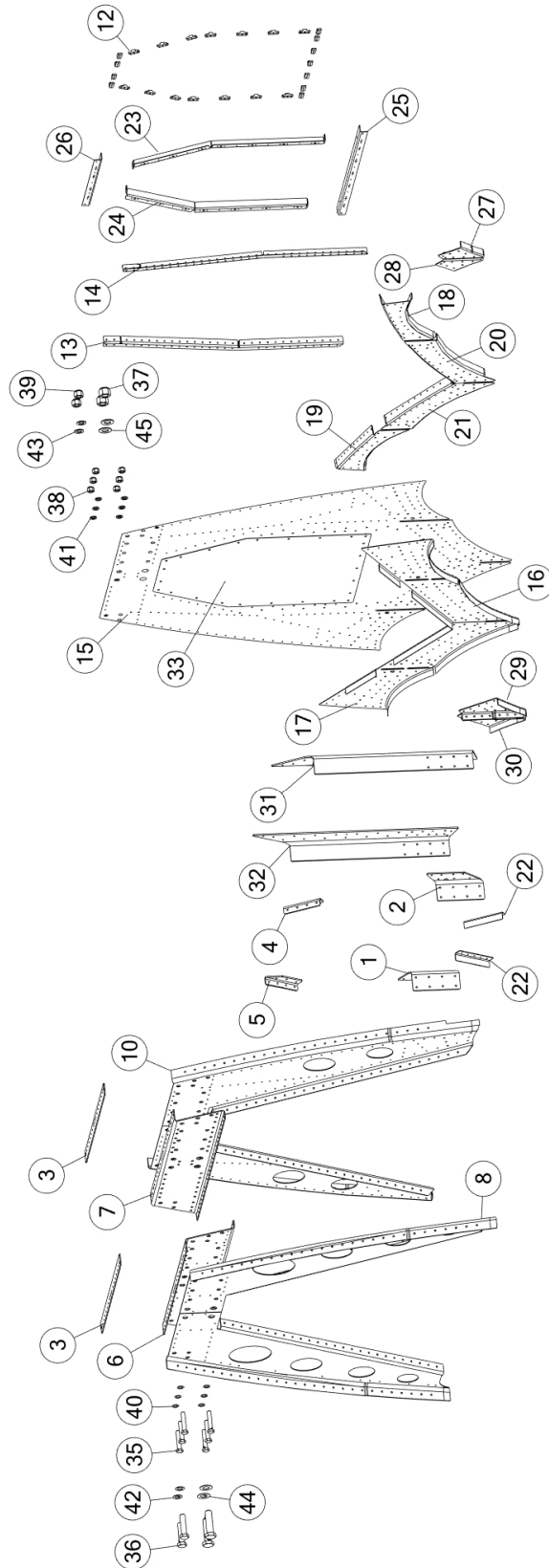
PARTS MANUAL
8750 FLOATS ON CESSNA 208 AND 208B

ITEM	QTY	PART NO.	PART DESCRIPTION
-	1	1006604	ASSEMBLY, BULKHEAD 10, LEFT, 8750S
1	1	1002736	ANGLE, FWD FLUTE, RH, BULKHEAD 10
2	1	1002737	ANGLE, FWD FLUTE, LH, BULKHEAD 10
3	2	1002748	SPACER, SUPERPANEL
4	1	1003105	CLEAT, SUPERPANEL, LH, BULKHEAD 10
5	1	1003108	CLEAT, SUPERPANEL, RH, BULKHEAD 10
6	1	1006292	BRACE, SUPERPANEL, FWD, BULKHEAD 10
7	1	1006294	BRACE, SUPERPANEL, AFT, BULKHEAD 10
8	1	1006310	LEG, SUPERPANEL, FWD, INBOARD, BULKHEAD 10
9	1	1006312	LEG, SUPERPANEL, FWD, OUTBOARD, BULKHEAD 10
10	1	1006314	LEG, SUPERPANEL, AFT, INBOARD, BULKHEAD 10
11	1	1006316	LEG, SUPERPANEL, AFT, OUTBOARD, BULKHEAD 10
12	25	1006420-01	NUTPLATE, NYLON, 8-32
13	1	1006505	MOUNT, PANEL, RIGHT, FWD, WHEEL WELL
14	1	1006506	MOUNT, PANEL, LEFT, FWD, WHEEL WELL
15	1	1006615	PANEL, MAIN, BULKHEAD 10
16	1	1006616	FLUTE, FWD, RH, BULKHEAD 10
17	1	1006617	FLUTE, FWD, LH, BULKHEAD 10
18	1	1006618	FLUTE, AFT, LH, BULKHEAD 10
19	1	1006619	FLUTE, AFT, RH, BULKHEAD 10
20	1	1006620	FLUTE, AFT, LH, LOWER, BULKHEAD 10
21	1	1006621	FLUTE, AFT, RH, LOWER, BULKHEAD 10
22	2	1006622	REINFORCEMENT, STEP BULKHEAD, LH
23	1	1006625	ANGLE, LH, COVER
24	1	1006626	ANGLE, RH, COVER
25	1	1006627	STIFFENER, ACCESS, TOP, BULKHEAD 10
26	1	1006628	STIFENER, ACCESS, TOP, BULKHEAD 10
27	1	1009189	SUPPORT, SKEG, AFT, LH
28	1	1009190	SUPPORT, SKEG, AFT RH
29	1	1009191	SUPPORT, SKEG, FWD LH
30	1	1009192	SUPPORT, SKEG, FWD RH
31	1	1009193	ANGLE, TRUNION, LH, BULKHEAD 10
32	1	1009194	ANGLE, TRUNION, RH, BULKHEAD 10
33	1	1006624*	PANEL, ACCESS, BULKHEAD 10
34	2	AN10-22A*	BOLT, 5/8-18 THREAD, 1-7/16" GRIP, 2-25/64" LENGTH
35	6	AN6-17A*	BOLT, 3/8-24 THREAD, 1-5/16" GRIP, 1-61/64" LENGTH
36	2	AN8-20A*	BOLT, AIRFRAME, 1/2-20 THREAD, 1-5/16" GRIP, 2-3/32" LENGTH
37	2	MS21044N10*	NUT, 5/8-18 THREAD, STEEL, NYLON INSERT, 250 DEG
38	6	MS21044N6*	NUT, NYLON INSERT, 250 DEG, STEEL, 0.375-24 THREAD
39	2	MS21044N8*	NUT, 1/2-20 THREAD, NYLON INSERT, 250 DEG.
40	6	NAS1149D0616J*	WASHER, ALUMINUM

ITEM	QTY	PART NO.	PART DESCRIPTION
41	6	NAS1149D0663J*	WASHER SCREW SIZE 3/8 OD.625 ID.390 THK.063 ALUM
42	2	NAS1149F0832P*	WASHER, AIRFRAME, CARBON STEEL, TO FIT DIA 1/2"
43	2	NAS1149F0863P*	WASHER, AIRFRAME, CARBON STEEL, TO FIT DIA 1/2"
44	2	NAS1149F1032P*	WASHER, AIRFRAME, CARBON STEEL, TO FIT DIA 5/8"
45	2	NAS1149F1063P*	WASHER, AIRFRAME, CARBON STEEL, TO FIT DIA 5/8"

*NOT INCLUDED IN 1006604 ASSEMBLY.

BULKHEAD 10 RIGHT FLOAT ASSEMBLY



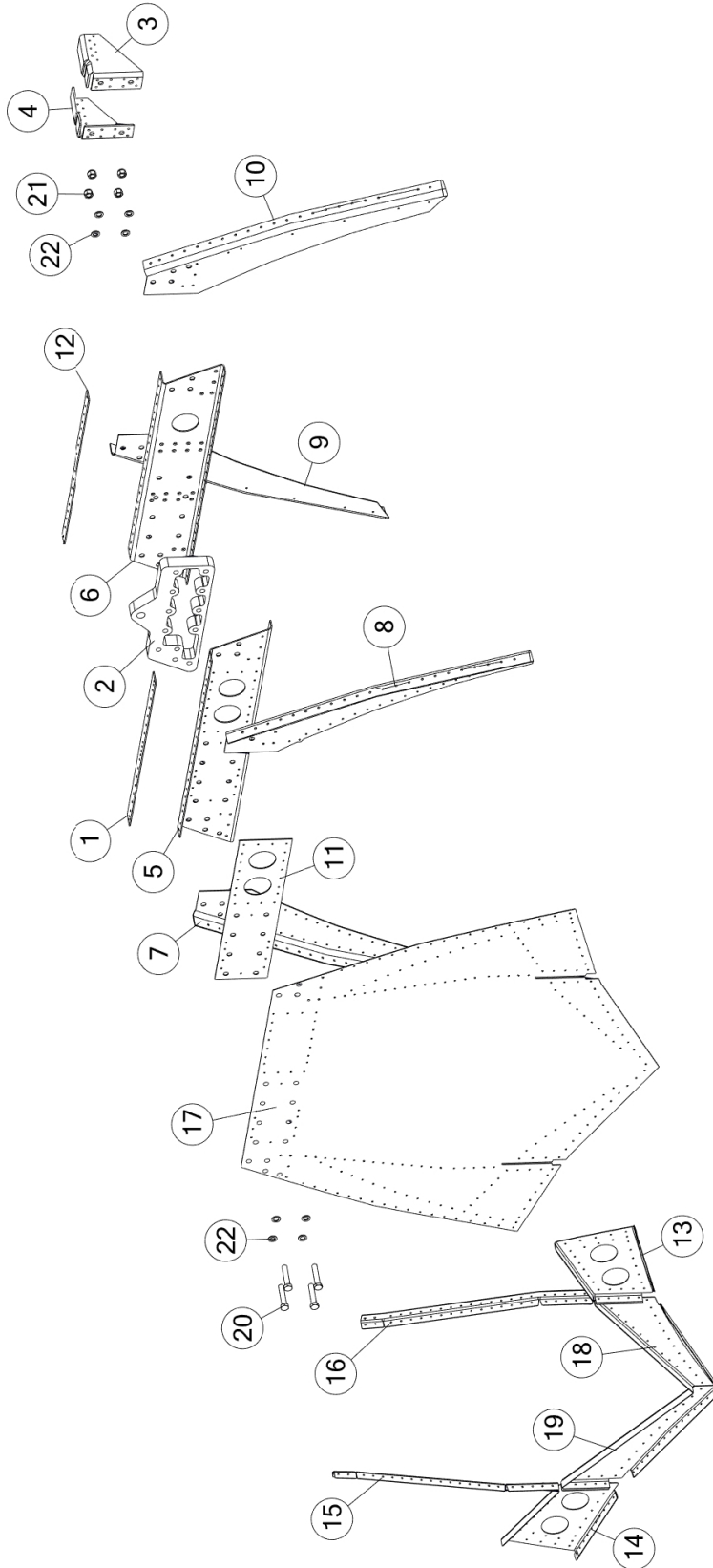
ITEM	QTY	PART NO.	PART DESCRIPTION
-	1	1006605	ASSEMBLY, BULKHEAD 10, RIGHT 8750S
1	1	1002736	ANGLE, FWD FLUTE, RH, BULKHEAD 10
2	1	1002737	ANGLE, FWD FLUTE, LH, BULKHEAD 10
3	2	1002748	SPACER, SUPERPANEL
4	1	1003105	CLEAT, SUPERPANEL, LH, BULKHEAD 10
5	1	1003108	CLEAT, SUPERPANEL, RH, BULKHEAD 10
6	1	1006293	BRACE, SUPERPANEL, FWD, BULKHEAD 10
7	1	1006295	BRACE, SUPERPANEL, AFT, BULKHEAD 10
8	1	1006311	LEG, SUPERPANEL, FWD, INBOARD, BULKHEAD 10
9	1	1006313	LEG, SUPERPANEL, FWD, OUTBOARD, BULKHEAD 10
10	1	1006315	LEG, SUPERPANEL, AFT, INBOARD, BULKHEAD 10
11	1	1006317	LEG, SUPERPANEL, AFT, OUTBOARD, BULKHEAD 10
12	25	1006420-01	NUTPLATE, NYLON, 8-32
13	1	1006505	MOUNT, PANEL, RIGHT, FORWARD, WHEEL WELL
14	1	1006506	MOUNT, PANEL, LEFT, FORWARD, WHEEL WELL
15	1	1006615	PANEL, MAIN, BULKHEAD 10
16	1	1006616	FLUTE, FWD, RH, BULKHEAD 10
17	1	1006617	FLUTE, FWD, LH, BULKHEAD 10
18	1	1006618	FLUTE, AFT, LH, BULKHEAD 10
19	1	1006619	FLUTE, AFT, RH, BULKHEAD 10
20	1	1006620	FLUTE, AFT, LH, LOWER, BULKHEAD 10
21	1	1006621	FLUTE, AFT, RH, LOWER, BULKHEAD 10
22	2	1006622	REINFORCEMENT, STEP BULKHEAD, LH
23	1	1006625	ANGLE, LH, COVER
24	1	1006626	ANGLE, RH, COVER
25	1	1006627	STIFFENER, ACCESS, TOP, BULKHEAD 10
26	1	1006628	STIFFENER, ACCESS, TOP, BULKHEAD 10
27	1	1009189	SUPPORT, SKEG, AFT, LH
28	1	1009190	SUPPORT, SKEG, AFT RH
29	1	1009191	SUPPORT, SKEG, FWD LH
30	1	1009192	SUPPORT, SKEG, FWD RH
31	1	1009193	ANGLE, TRUNION, LH, BULKHEAD 10
32	1	1009194	ANGLE, TRUNION, RH, BULKHEAD 10
33	1	1006624*	PANEL, ACCESS, BULKHEAD 10
34	2	AN10-22A*	BOLT, 5/8-18 THREAD, 1-7/16" GRIP, 2-25/64" LENGTH
35	6	AN6-17A*	BOLT, 3/8-24 THREAD, 1-5/16" GRIP, 1-61/64" LENGTH
36	2	AN8-20A*	BOLT, AIRFRAME, 1/2-20 THREAD, 1-5/16" GRIP, 2-3/32" LENGTH
37	2	MS21044N10*	NUT, 5/8-18 THREAD, STEEL, NYLON INSERT, 250 DEG
38	6	MS21044N6*	NUT, NYLON INSERT, 250 DEG, STEEL, 0.375-24 THREAD
39	2	MS21044N8*	NUT, 1/2-20 THREAD, NYLON INSERT, 250 DEG.
40	6	NAS1149D0616J*	WASHER, ALUMINUM

PARTS MANUAL
8750 FLOATS ON CESSNA 208 AND 208B

ITEM	QTY	PART NO.	PART DESCRIPTION
41	6	NAS1149D0663J*	WASHER SCREW SIZE 3/8 OD.625 ID.390 THK.063 ALUM
42	2	NAS1149F0832P*	WASHER, AIRFRAME, CARBON STEEL, TO FIT DIA 1/2"
43	2	NAS1149F0863P*	WASHER, AIRFRAME, CARBON STEEL, TO FIT DIA 1/2"
44	2	NAS1149F1032P*	WASHER, AIRFRAME, CARBON STEEL, TO FIT DIA 5/8"
45	2	NAS1149F1063P*	WASHER, AIRFRAME, CARBON STEEL, TO FIT DIA 5/8"

*NOT INCLUDED IN 1006605 ASSEMBLY.

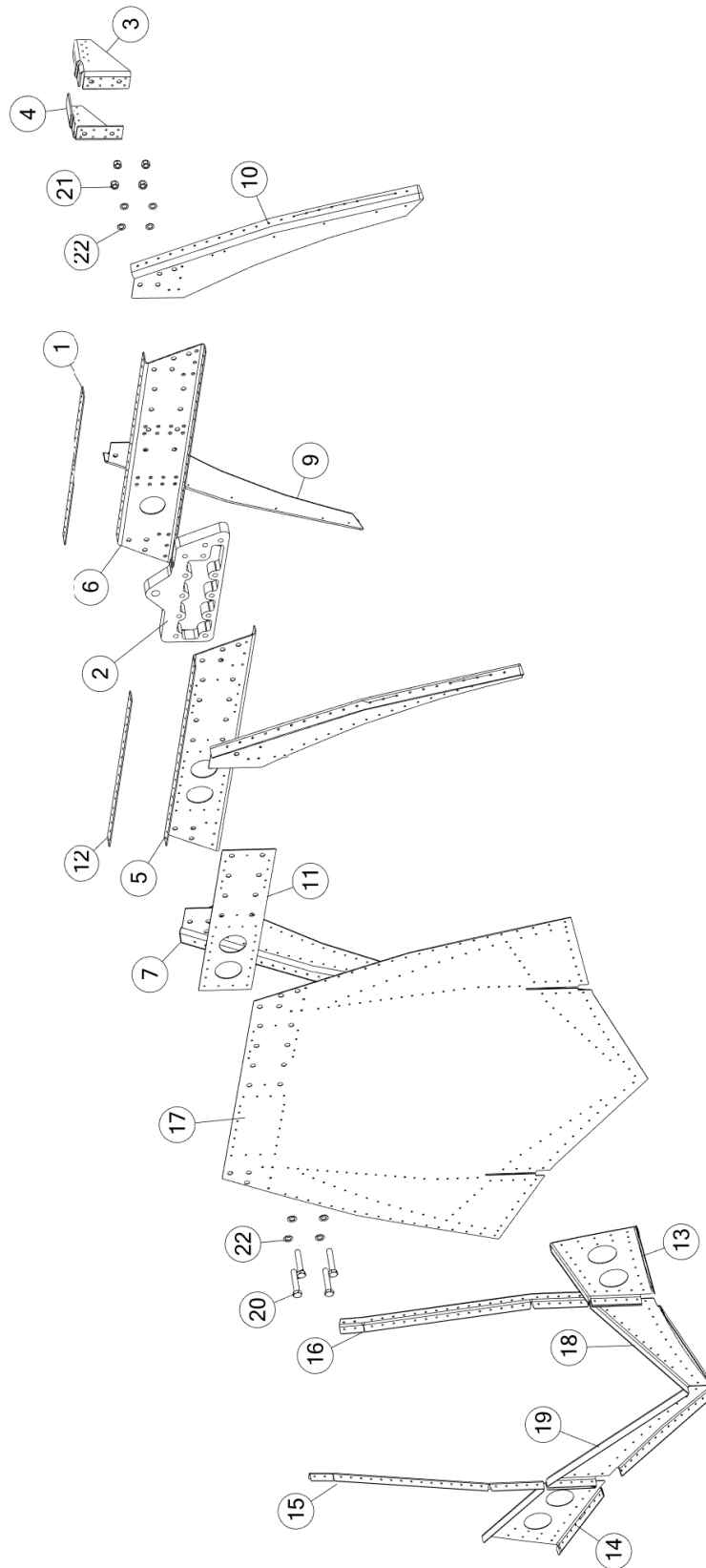
BULKHEAD 11 LEFT FLOAT ASSEMBLY



PARTS MANUAL
8750 FLOATS ON CESSNA 208 AND 208B

ITEM	QTY	PART NO.	PART DESCRIPTION
-	1	1006606	ASSEMBLY, BULKHEAD 11, LEFT, 8750S
1	1	1002748	SPACER, SUPERPANEL
2	1	1006220	FITTING, SUPERPANEL, BULKHEAD 11
3	1	1006283	GUSSET, AFT RAIL, LEFT
4	1	1006284	GUSSET, AFT RAIL, RIGHT
5	1	1006296	BRACE, SUPERPANEL, FWD, BULKHEAD 11
6	1	1006298	BRACE, SUPERPANEL, AFT, BULKHEAD 11
7	1	1006318	LEG, SUPERPANEL, FWD, RIGHT, BULKHEAD 11
8	1	1006320	LEG, SUPERPANEL, FWD, LEFT, BULKHEAD 11
9	1	1006322	LEG, SUPERPANEL, AFT, RIGHT, BULKHEAD 11
10	1	1006324	LEG, SUPERPANEL, AFT, LEFT, BULKHEAD 11
11	1	1006327	DOUBLER, BULKHEAD 11
12	1	1006328	SPACER, SUPER PANEL
13	1	1006343	FLUTE, FWD, LT, LT FLT, BULKHEAD 11
14	1	1006344	FLUTE, FWD, RT, LT FLT, BULKHEAD 11
15	1	1006507	MOUNT, PANEL, RIGHT, AFT, WHEEL WELL
16	1	1006508	MOUNT, PANEL, AFT, WHEEL WELL
17	1	1006629	PANEL, BULKHEAD 11
18	1	1006630	PANEL, BOTTOM, RH, BULKHEAD 11
19	1	1006631	PANEL, BOTTOM, RH, BULKHEAD 11
20	4	AN6-17A	BOLT, 3/8-24 THREAD, 1-5/16" GRIP, 1-61/64" LENGTH
21	4	MS21044N6	NUT, NYLON INSERT, 250 DEG, STEEL, 0.375-24 THREAD
22	8	NAS1149D0663J	WASHER SCREW SIZE 3/8 OD.625 ID.390 THK.063 ALUM

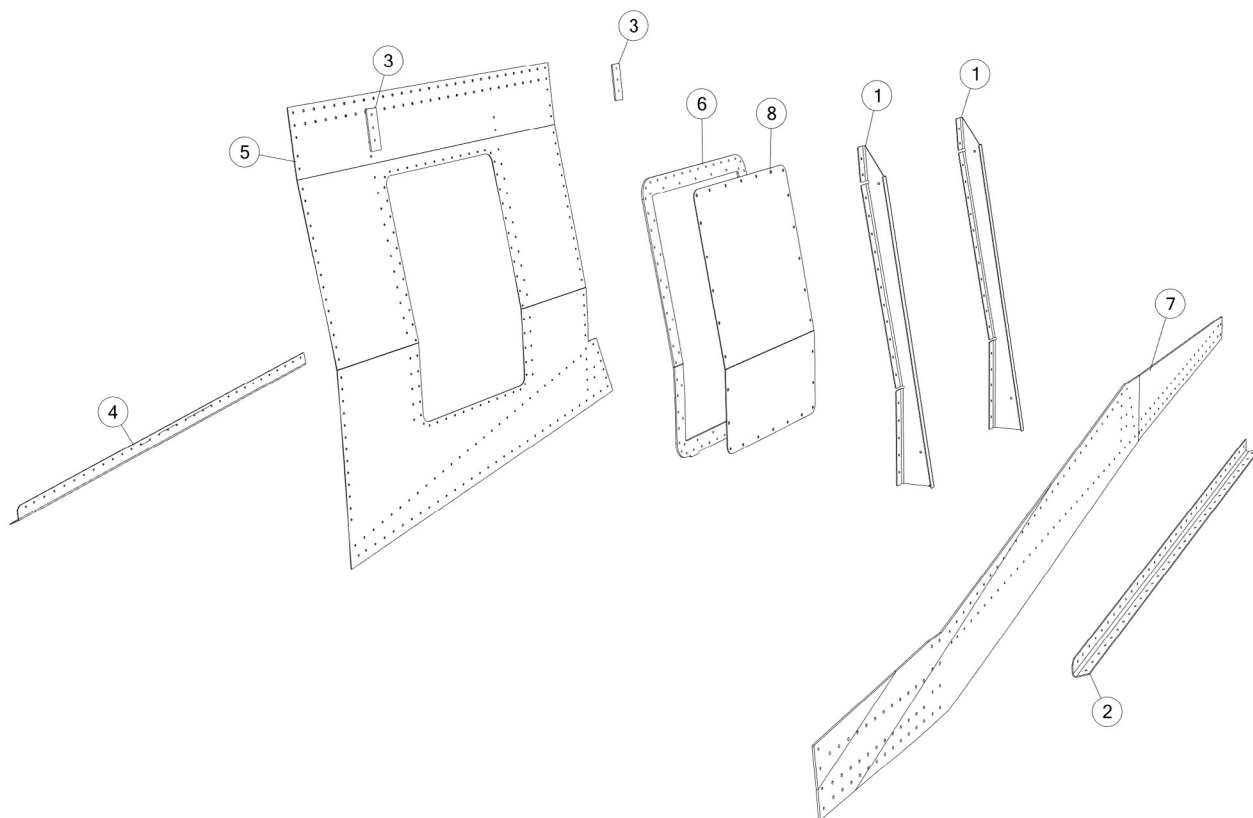
BULKHEAD 11 RIGHT FLOAT ASSEMBLY



PARTS MANUAL
8750 FLOATS ON CESSNA 208 AND 208B

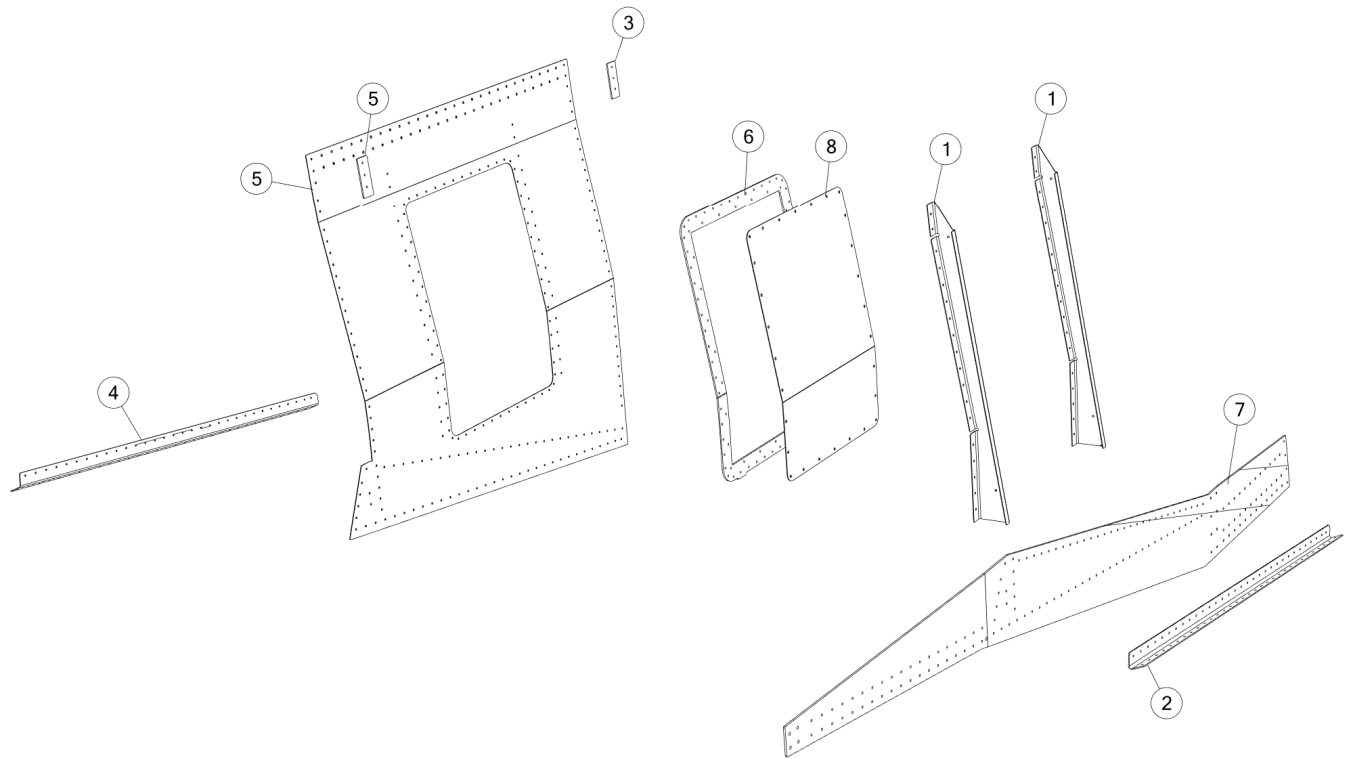
ITEM	QTY	PART NO.	PART DESCRIPTION
-	1	1006607	ASSEMBLY, BULKHEAD 11, RIGHT, 8750S
1	1	1002748	SPACER, SUPERPANEL
2	1	1006220	FITTING, SUPERPANEL, BULKHEAD 11
3	1	1006283	GUSSET, AFT RAIL, LEFT
4	1	1006284	GUSSET, AFT RAIL, RIGHT
5	1	1006297	BRACE, SUPERPANEL, FWD, BULKHEAD 11
6	1	1006299	BRACE, SUPERPANEL, AFT, BULKHEAD 11
7	1	1006318	LEG, SUPERPANEL, FWD, RIGHT, BULKHEAD 11
8	1	1006320	LEG, SUPERPANEL, FWD, LEFT, BULKHEAD 11
9	1	1006322	LEG, SUPERPANEL, AFT, RIGHT, BULKHEAD 11
10	1	1006324	LEG, SUPERPANEL, AFT, LEFT, BULKHEAD 11
11	1	1006327	DOUBLER, BULKHEAD 11
12	1	1006328	SPACER, SUPER PANEL
13	1	1006343	FLUTE, FWD, LT, LT FLT, BULKHEAD 11
14	1	1006344	FLUTE, FWD, RT, LT FLT, BULKHEAD 11
15	1	1006507	MOUNT, PANEL, RIGHT, AFT, WHEEL WELL
16	1	1006508	MOUNT, PANEL, AFT, WHEEL WELL
17	1	1006629	PANEL, BULKHEAD 11
18	1	1006630	PANEL, BOTTOM, RH, BULKHEAD 11
19	1	1006631	PANEL, BOTTOM, RH, BULKHEAD 11
20	4	AN6-17A	BOLT, 3/8-24 THREAD, 1-5/16" GRIP, 1-61/64" LENGTH
21	4	MS21044N6	NUT, NYLON INSERT, 250 DEG, STEEL, 0.375-24 THREAD
22	8	NAS1149D0663J	WASHER SCREW SIZE 3/8 OD.625 ID.390 THK.063 ALUM

WHEEL WELL LEFT PANEL ASSEMBLY



ITEM	QTY	PART NO.	PART DESCRIPTION
-	1	1006643	ASSEMBLY PANEL, WHEEL WELL, LEFT, 8750S
1	2	1006133	STIFFENER, WHEEL WELL SIDE PANEL
2	1	1006341	FLANGE, CARRY THRU STRAP
3	2	1006498	SPACER, WHEEL WELL, BATHTUB FITTING ATTACH
4	1	1006610	STIFFENER, BOTTOM SKIN, LEFT
5	1	1009199	PANEL, SIDE, LEFT, WHEEL WELL
6	1	1009201	RETAINER, COVER, WHEEL WELL PANEL
7	1	1009315	STRAP, CARRY THRU, LEFT
8	1	1009205	COVER, WHEEL WELL ACCESS (NOT INCLUDED IN 1006643 ASSEMBLY)

WHEEL WELL RIGHT PANEL ASSEMBLY



ITEM	QTY	PART NO.	PART DESCRIPTION
-	1	1006644	ASSEMBLY PANEL, WHEEL WELL, RIGHT, 8750S
1	2	1006133	STIFFENER, WHEEL WELL SIDE PANEL
2	1	1006342	FLANGE, CARRY THRU STRAP
3	2	1006498	SPACER, WHEEL WELL, BATHTUB FITTING ATTACH
4	1	1006611	STIFFENER, BOTTOM SKIN, RIGHT
5	1	1009200	PANEL, SIDE, RIGHT, WHEEL WELL
6	1	1009201	RETAINER, COVER, WHEEL WELL PANEL
7	1	1009316	STRAP, CARRY THRU, RIGHT
8	1	1009205	COVER, WHEEL WELL ACCESS (NOT INCLUDED IN 1006643 ASSEMBLY)