



WIPLINE FLOATS • SKIS • MODIFICATIONS • AIRCRAFT SALES
AVIONICS • INTERIOR • MAINTENANCE • PAINT REFINISHING

SERVICE LETTER 179

FIREBOSS WATER RUDDER PULLEY CLAMP REPLACEMENT

Aircraft Makes/Model(s):	Float Model(s):	Compliance: Optional	By: RCG
Air Tractor AT-802, AT-802A	10000A	Part Number: 1009448	Approved: JRS
		Date: 6/20/2018	Revision: A

LOG OF REVISIONS

Revision	Description	Date
A	Initial release	6/20/2018

FAA approval has been obtained for technical data in this publication that affects STC or TSO design compliance

EFFECTIVITY:

This service letter applies to: Air Tractor models AT802 and AT802A with Wipline 10000A Fireboss Amphibious Floats installed per STC SA01795CH

COMPLIANCE:

Optional compliance for Air Tractors with float installs completed prior to April, 2017

BACKGROUND:

The currently installed clamp has been loosening on some aircraft

COMPLIANCE METHOD:

Install 10A12566-010 clamp gasket and 5312K11 bolt clamp per Work Instruction section of this service letter

APPROXIMATE SHOP HOURS:

Replacing both left and right station 62.63 pulley bracket assemblies will take approximately 2 hours

WARRANTY INFORMATION:

This service letter does not include any warranty on parts or labor

TECHNICAL DATA:

Copies of this service letter, associated service kit (if applicable), float service manual, and float parts manual are available at www.wipaire.com.

1700 Henry Ave - Fleming Field (KSGS), South St. Paul, MN 55075

Phone: 651.451.1205 | Fax: 651.457.7858

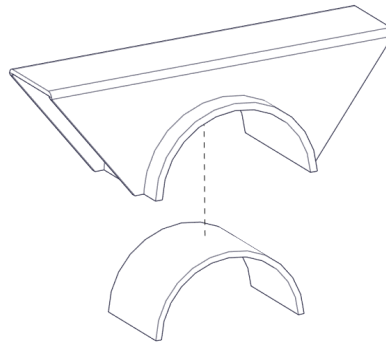
www.wipaire.com

ITEMS PROVIDED IN SERVICE KIT 1009448-01

ITEM	QTY	PART NUMBER	DESCRIPTION
1	2	10A12566-010	Clamp Gasket
2	2	5312K11	Bolt Clamp

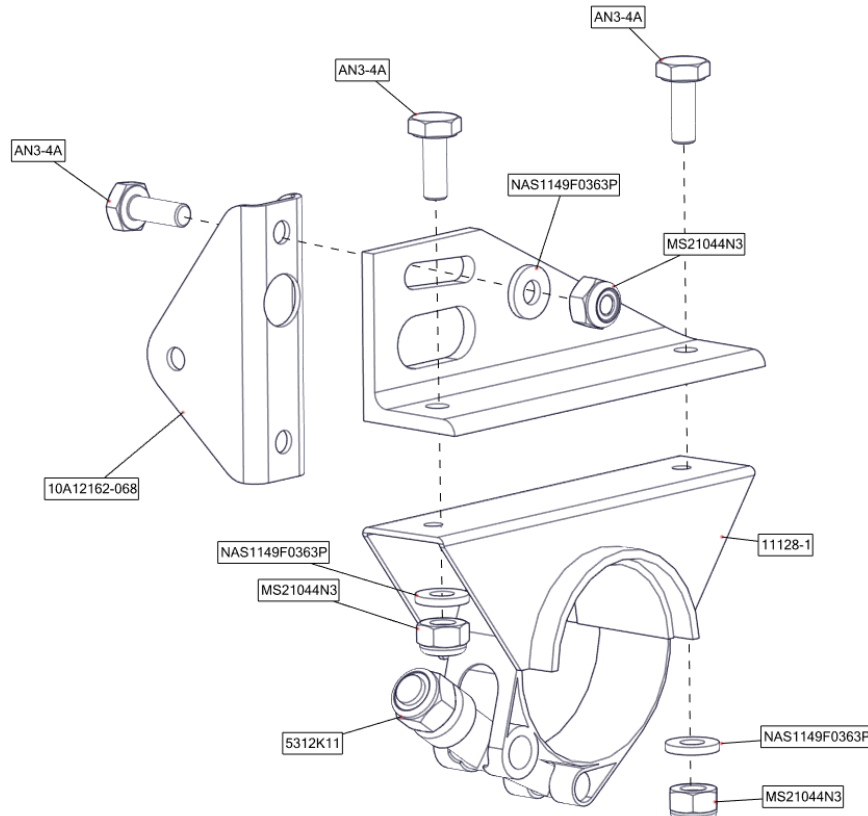
WORK INSTRUCTION

1. Disconnect steering cable in the tail and loosen or remove necessary components in order to feed steering cable back to fuselage station 62.63 pulley bracket assembly
2. Remove existing pulley bracket assembly from fuselage station 62.63
3. Cut and adhere 10A12566-010 clamp gasket to 11138-1 arch bracket as shown

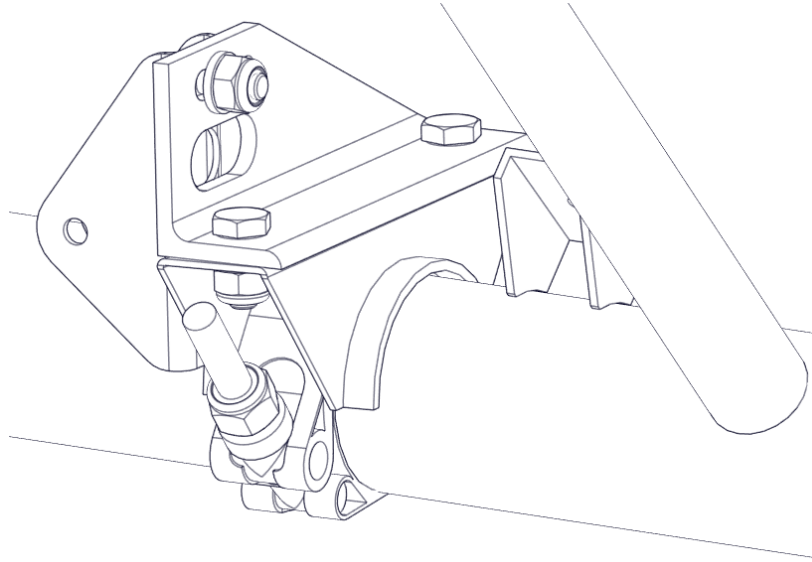


Showing left installation only, mirror assembly and components when applicable for opposing side

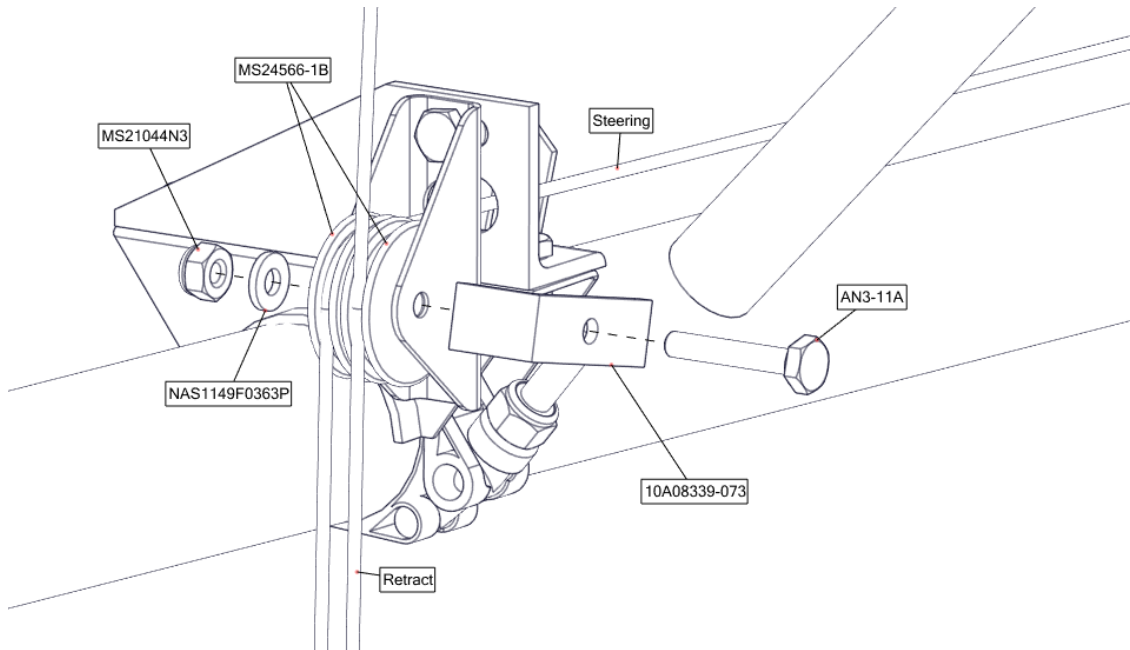
4. Loosely place new 5312K11 bolt clamp through 11128-1 arch bracket and reassemble pulley bracket assembly (excluding the (2) MS24566-1B pulleys and 10A08339-073 cable stop) as shown



- Determine the position of the pulley bracket assembly along the longeron in reference to the retract and routing cables and tighten 5312K11 bolt clamp to fuselage station 62.63 as shown. Adjust 10A12162-068 fuselage pulley bracket in slot position if needed



- Install (2) MS24566-1B pulleys to the 10A12162-068 fuselage pulley bracket, reroute the retract and steering cable through the 62.63 station pulley bracket assembly, and install the 10A08339-073 cable stop as shown



- Reinstall any removed pulleys and brackets and reroute the steering cable to the tail and reconnect. Refer to installation drawings for installation guidance
- Tension all cables per applicable Wipaire service manual and verify steering and rudder controls function as required
- Upon completion of inspection, enter information in Aircraft Logbook for completion of this Wipaire service letter
- Visit www.wipaire.com and update your aircraft service letter/kit record using the link found on the Customer Support dropdown menu under "Update Service Letter & Kit Compliance Status"