

# DE HAVILLAND DHC-2 BEAVER



## PRODUCT & MODIFICATION GUIDE



## WIPLINE 6100 FLOATS

For 60 years, the de Havilland Beaver has been and continues to be recognized as the workhorse of the North Country. Combine this powerful utilitarian aircraft with a set of rugged Wipline 6100 floats and you have an aircraft that will take you to the farthest reaches of the great wilderness.

### FEATURES AND BENEFITS

- Seaplane and amphibious floats available
- Best nose and main gear on the market, proven in the field and imitated by competitors
- Enhanced safety with amphibious gear advisory system and gear indicator on float deck of amphibious floats
- Non-skid coated, flat top decks for safety
- Two large float hatches for gear with 50 pounds carrying capacity each
- Aluminum skins and parts are laser cut and rivet holes are pre-punched so that replacement parts fit perfectly
- Replaceable wear strips on main keel for ease of maintenance

Wipaire also offers performance and convenience modifications, interiors, paint refinishing, avionics and maintenance. Purchase your floats and modifications from the only float company with over 55 continuous years of production and be assured we'll be there when you need support.

# SPECIFICATIONS FOR WIPLINE 6100 FLOATS

## WEIGHT

Amphibian System Total Weight	694 lbs (315 kg)
Amphibian Exchange Weight	924 lbs (419 kg) <sup>1</sup>
Seaplane System Total Weight	491 lbs (223 kg)
Seaplane Exchange Weight	450 lbs (204 kg) <sup>1</sup>
Aircraft Gross Weight	5,600 lbs (2,540 kg) <sup>2</sup>

## FLOAT DIMENSIONS

Length – Seaplane	24'7" (7.49 m)
Length – Amphibian	25'0" (7.62 m)
Height – Hull	2'10" (0.86 m)
Width – Hull	3'3" (0.99 m)
Float Locker Capacity (each)	50 lbs (22.7 kg)

## DISPLACEMENT IN FRESH WATER

Amphibious Floats	5,518 lbs (2,503 kg)
Seaplane Floats	5,664 lbs (2,569 kg)

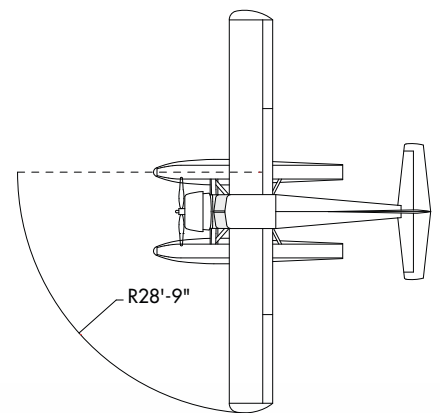
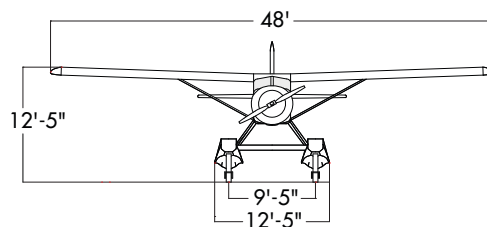
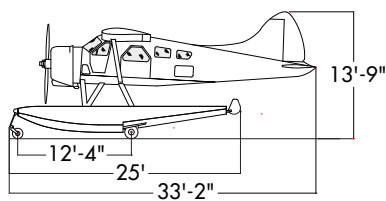
## MAXIMUM FLOTATION

Amphibious Floats	6,131 lbs (2,781 kg) <sup>3</sup>
Seaplane Floats	6,293 lbs (2,854 kg) <sup>3</sup>

1) Exchange weight is equal to the float installation weight minus aircraft landing gear weight.

2) With Wipaire's 5600 lbs Gross Weight Increase Kit.

3) Per FAR 23.751 with 80% reserve buoyancy (2 floats)





# MODIFICATIONS FOR THE DE HAVILLAND BEAVER

- AirGlide CT2000 Tail Ski
- DHC-2 MK I Gross Weight Increase to 5,600 lbs on Wheels, Wipline or Edo Floats
- Hartzell 3-Blade Propeller Upgrade
- Cabin Extensions
- Flow Energizers for Enhanced Safety & Stall Recovery
- Electric Flaps System
- Electric Fuel Pump / Primer
- Firewall Battery Kit
- Articulated Seat Adaptors & Shoulder Harness Restraints
- Center bench seat
- Door catches
- Jasco Alternator System

## FEATURED MODIFICATION

### GROSS WEIGHT INCREASE TO 5,600 LBS

Are you tired of watching your weight?

Want to stay legal and in the good graces of your insurance company?

This modification will increase your useful load by 230 to 510 pounds and eliminate the need to use tip fuel. The kit works for landplanes, seaplanes or amphibians equipped with Wipline or Edo 4930 floats. Because our kit was developed from actual structural tests, it is more efficiently designed and requires less parts and installation time to install than the competition. Better yet, it comes with the exclusive Wipaire flow generator kit to enhance the safety of your Beaver during flight near the stall speed and maintain full aileron control. Call us or fly-in today to learn more about this exciting product which is sure to enhance your investment and your total flying experience.



# WIPAIRE SERVICES

Minimize down time on your aircraft by coordinating services at either Wipaire's South St. Paul, MN headquarters or our service center in Leesburg, FL.

## MAINTENANCE

- Oil changes, borescope inspections, annuals, pre-buy inspections and more
- Restoration & upgrade services
- Float and landing gear inspections & repairs

## AVIONICS

- Installation & repair services including bench work
- In-flight entertainment systems
- Satellite phones and internet
- Custom video camera installation
- Perform IFR certification

## INTERIORS

- Repairs to complete renovations
- Custom design service
- Interior modifications & upgrades
- Custom embroidery available
- Meticulous attention to detail

## PAINT REFINISHING

- Retouching & repair services
- Custom airbrushed art and decals
- Meticulous attention to detail
- Float paint matching available

## AIRCRAFT SALES & ACQUISITIONS

- Experienced & market savvy staff
- Customized marketing strategy
- Pre-buy inspections
- No hassle document preparation & filing



South St. Paul, MN - 651.451.1205

FAA CRS #RJWR390K - EASA 145.6194

Leesburg, FL - 352.323.4809

FAA CRS #RJWD390K

[www.wipaire.com](http://www.wipaire.com)