



WIPLINE FLOATS • SKIS • MODIFICATIONS • AIRCRAFT SALES
AVIONICS • INTERIOR • MAINTENANCE • PAINT REFINISHING

SERVICE LETTER 206

8750S Forward Spreader Bar Lift Support Replacement

Aircraft Makes/Model(s):	Float Model(s):	Compliance: Optional	By: MAB
Cessna 208, 208B	8750S	Part Number: 1011366	Approved: SDW
		Date: 5/7/2020	Revision: A

LOG OF REVISIONS

Revision	Description	Date
A	Initial release	5/7/2020

FAA approval has been obtained for technical data in this publication that affects STC or TSO design compliance.

EFFECTIVITY:

This service letter applies to Cessna models 208 and 208B with Wipline 8750 Straight Floats installed per STC SA1311GL.

COMPLIANCE:

Optional compliance

BACKGROUND:

Some customers have expressed a desire for a stronger forward spreader bar. This service letter gives an option to replace the original forward spreader bar with a stronger spreader bar.

COMPLIANCE METHOD:

Install provided parts as shown in the Work Instruction section of this service letter.

APPROXIMATE SHOP HOURS:

The work instruction for this service letter will take approximately 2 labor hours.

WARRANTY INFORMATION:

This service letter does not include warranty for labor and parts.

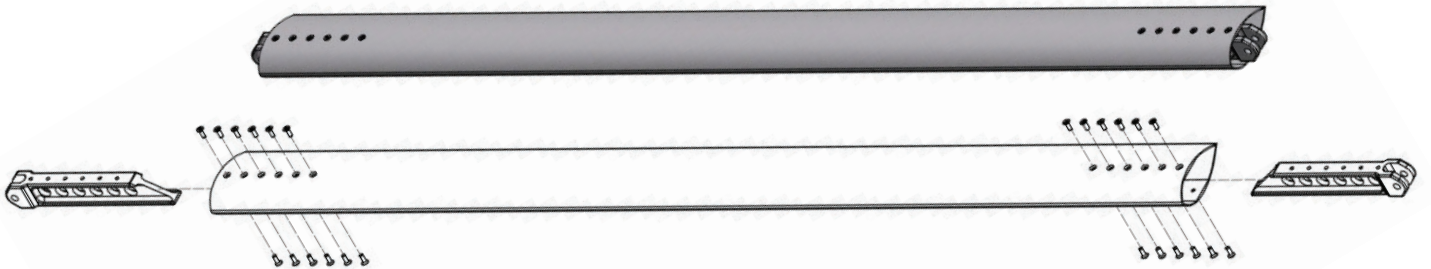
TECHNICAL DATA:

Copies of this service letter, associated service kit (if applicable), float service manual, and float parts manual are available at www.wipaire.com.

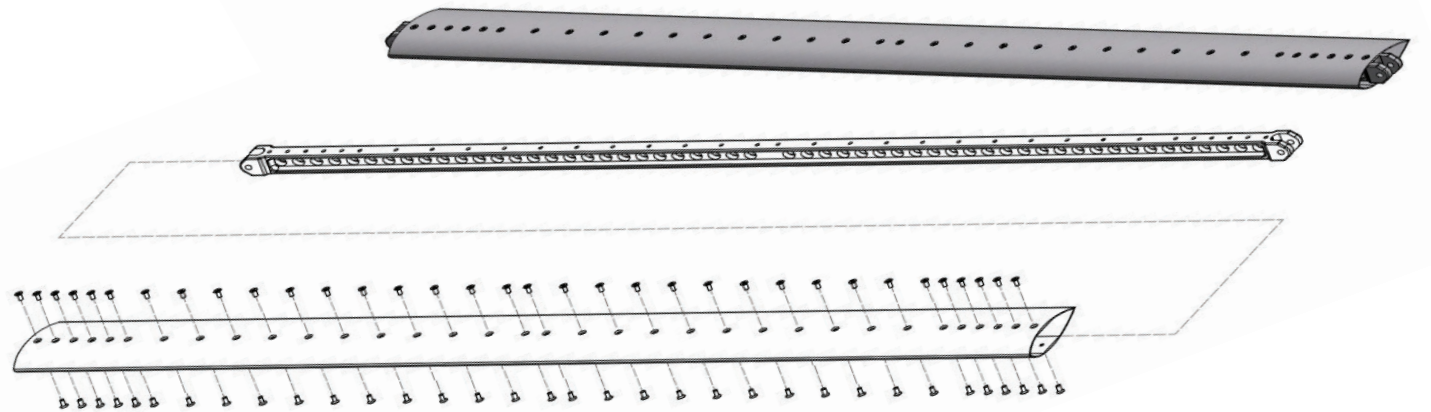
ITEMS PROVIDED IN SERVICE KIT 1011366-01

ITEM	QTY	PART NUMBER	DESCRIPTION
1	1	1009464	Spreader Bar Lift Support

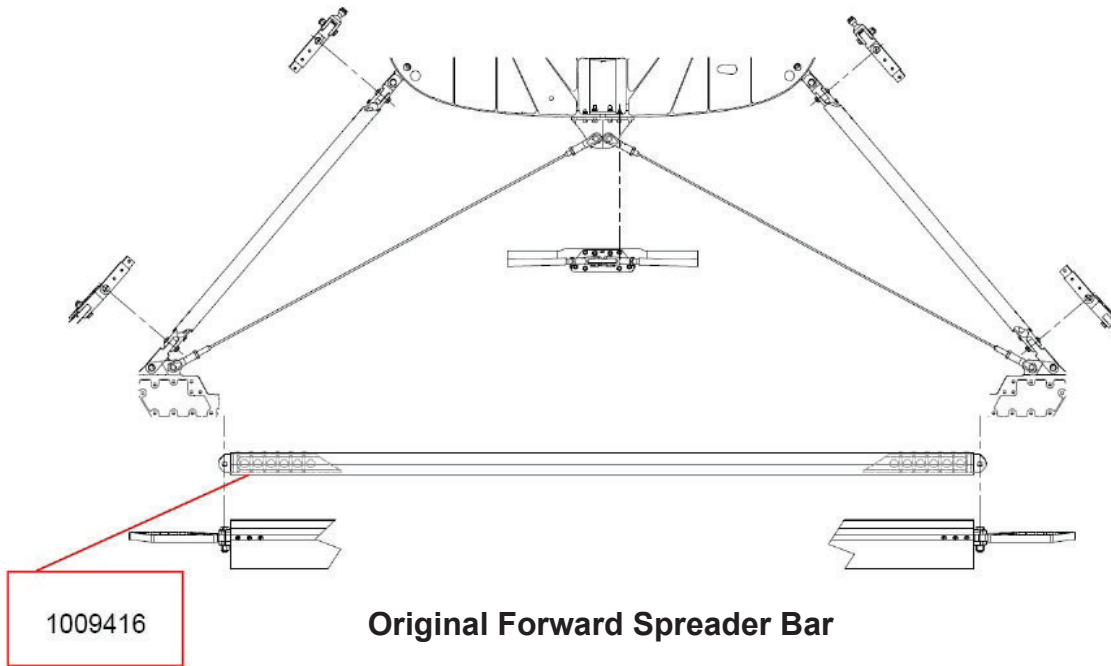
Spreader Bar Examples



**Original Forward Spreader Bar
1009416**

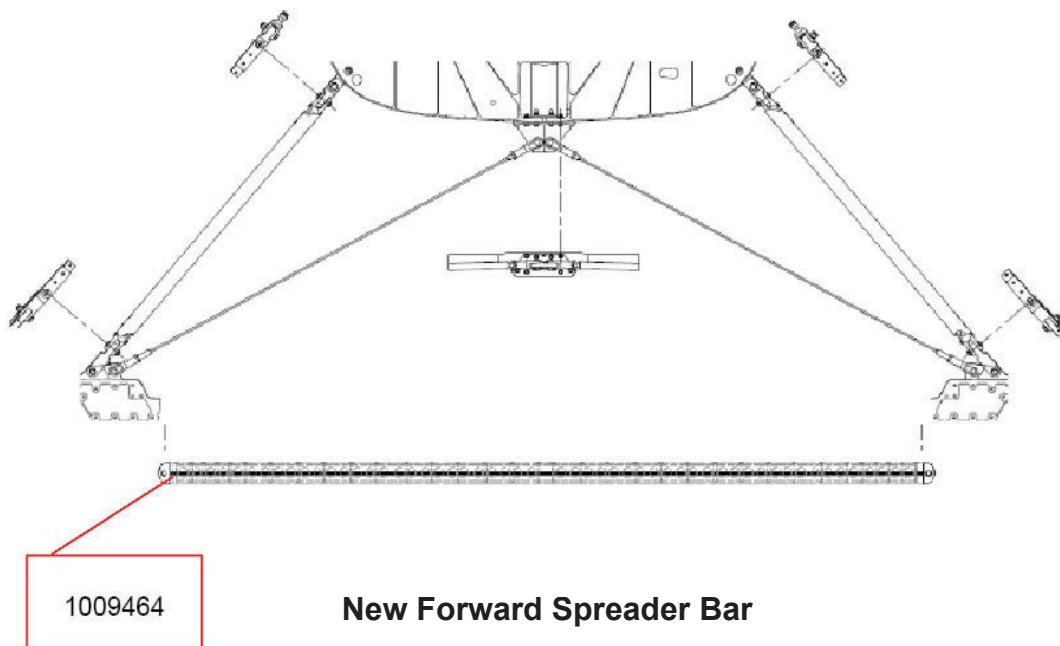


New Forward Spreader Bar 1009464



Work Instruction

1. Replace the forward spreader bar with the new spreader bar 1009464.
2. Use existing hardware to install 1009464 spreader bar to floats.



Weight and Balance

1. Update weight and balance information in accordance with Aircraft Flight Manual Supplement for 8750 Seaplane Floats. The original Spreader Bar Assembly 1009416 weighs 25.4 lbs. The new replacement Spreader Bar Assembly 1009464 weighs 37.6 lbs.

Aircraft Closing & Return to Service

1. Upon completion of inspection, enter information in Aircraft Logbook for completion of Wipaire Service Letter 206.