



WIPLINE FLOATS • SKIS • MODIFICATIONS • AIRCRAFT SALES
AVIONICS • INTERIOR • MAINTENANCE • PAINT REFINISHING

SERVICE LETTER 213

FIRE BOSS FINLET ATTACH BOLTS REINSTALL

Aircraft Makes/Model(s):	Float Model(s):	Compliance: Mandatory	By: MAB
Air Tractor AT-802 & AT-802A	10000A	Part Number: 1011544	Approved: SDW
		Date: 7/29/2020	Revision: A

LOG OF REVISIONS

Revision	Description	Date
A	Initial release	7/29/2020

FAA approval has been obtained for technical data in this publication that affects STC or TSO design compliance.

EFFECTIVITY:

This service letter applies to Air Tractor models AT-802 and AT-802A with Wipline 10000 Amphibian Floats installed per STC SA01795CH. This applies to both "tall" and "short" finlet configurations.

COMPLIANCE:

Mandatory compliance

BACKGROUND:

It is possible that the locking feature of the Fire Boss finlet bolt attach nutplates can become degraded. This service letter adds medium strength Loctite 242 (or equivalent thread locker) to the bolt installation as a secondary locking mechanism.

COMPLIANCE METHOD:

Reinstall finlet attach bolts with Loctite per the Work Instructions of this service letter.

APPROXIMATE SHOP HOURS:

The work instruction for this service letter will take approximately 1 labor hour.

WARRANTY INFORMATION:

Parts and labor costs for this service letter are at the owner's expense.

TECHNICAL DATA:

Copies of this service letter, associated service kit (if applicable), float service manual, and float parts manual are available by contacting Wipaire customer service.

1700 Henry Ave - Fleming Field (KSGS), South St. Paul, MN 55075

Phone: 651.451.1205 | Fax: 651.457.7858

www.wipaire.com

REQUIRED CONSUMABLES

- Loctite 242 or equivalent medium strength thread locker

WORK INSTRUCTION

Reference Figure 1 below.

1. For all 4 finlets (top and bottom, LH/RH side): Remove and reinstall the ¼" attach bolts into the nutplates of the horizontal tail.
 - a. Apply Loctite 242 or equivalent thread locker (medium strength) to the bolt when reinstalling.
 - b. Torque the attach bolts in a range from 50 in-lbs. to 70 in-lbs.
 - c. Apply Torque Stripe.

WARNING: In order to maintain the locking feature of the nutplate, DO NOT RUN A TAP into the nutplate.

2. Follow Fire Boss 10000 Service Manual Chapter 14 for subsequent inspections and hardware replacement.

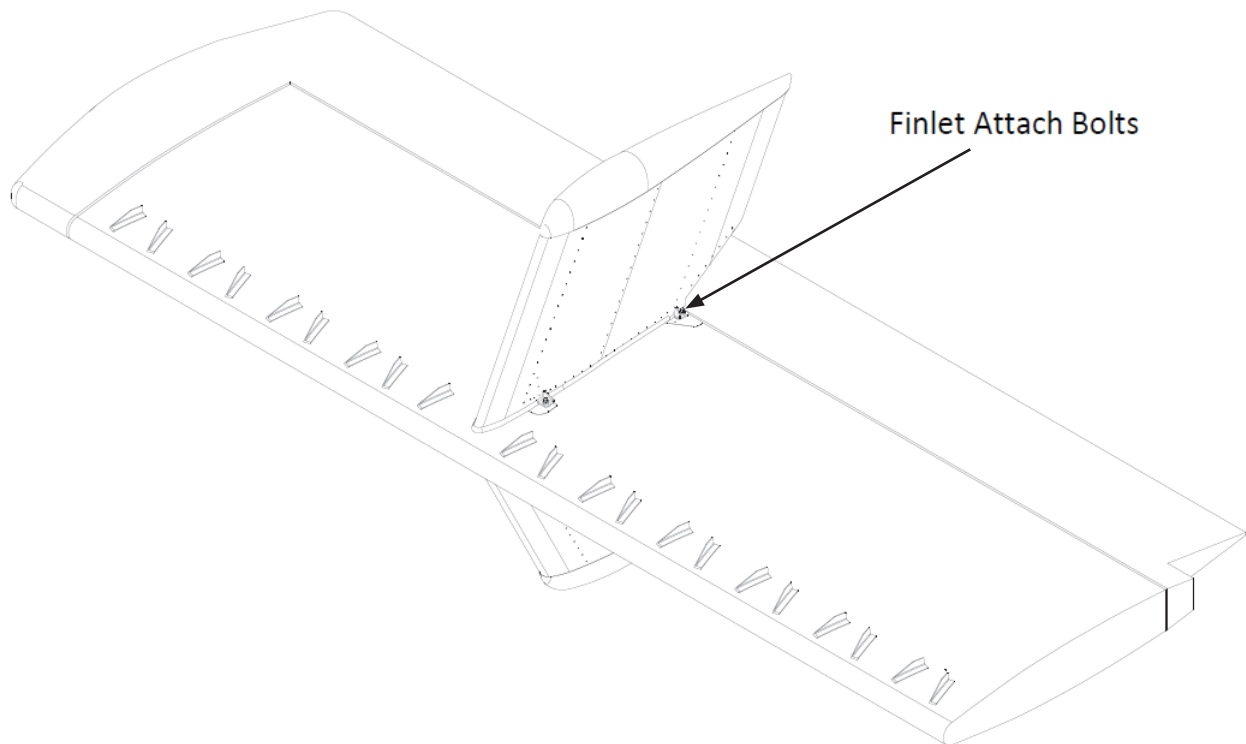


Figure 1

AIRCRAFT CLOSING AND RETURN TO SERVICE

1. Upon completion of inspection, enter information in Aircraft Logbook for completion of Wipaire service letter 213.