



WIPLINE FLOATS • SKIS • MODIFICATIONS • AIRCRAFT SALES
AVIONICS • INTERIOR • MAINTENANCE • PAINT REFINISHING

SERVICE LETTER 207

10000A Hydraulic Pump Replacement

Aircraft Makes/Model(s):	Float Model(s):	Compliance: Optional	By: MAB
Air Tractor AT-802 and AT-802A	10000A	Part Number: 1011369	Approved: SDW
		Date: 5/7/2020	Revision: A

LOG OF REVISIONS

Revision	Description	Date
A	Initial release	5/7/2020

FAA approval has been obtained for technical data in this publication that affects STC or TSO design compliance.

EFFECTIVITY:

This service letter applies to Air Tractor models AT-802 and AT-802A with Wipline 10000 Floats installed per STC SA01795CH.

COMPLIANCE:

Optional compliance

BACKGROUND:

Hydraulic Pump Assembly 10A09000-294 has been discontinued. This service letter provides the option to replace it with a new pump p/n 1011360.

COMPLIANCE METHOD:

Install provided parts as shown in the Work Instruction section of this service letter.

APPROXIMATE SHOP HOURS:

The work instruction for this service letter will take approximately 4 labor hours.

WEIGHT AND BALANCE CHANGE:

+4 lbs, F.S. 159.5

WARRANTY INFORMATION:

This service letter does not include warranty for labor and parts.

TECHNICAL DATA:

Copies of this service letter, associated service kit (if applicable), float service manual, and float parts manual are available at www.wipaire.com.

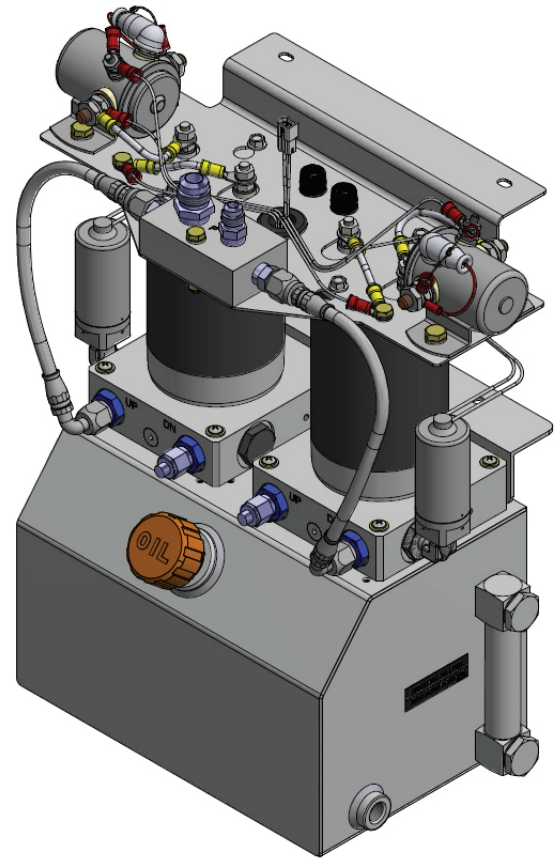
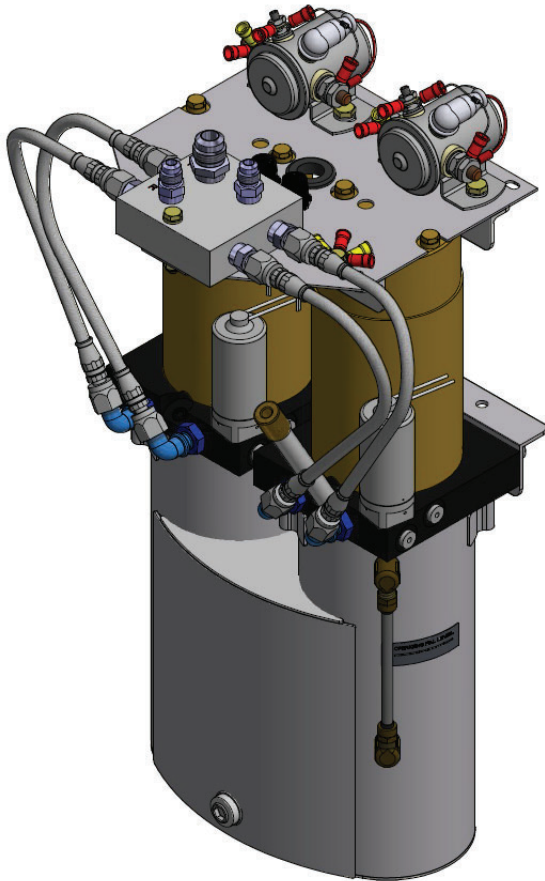
1700 Henry Ave - Fleming Field (KSGS), South St. Paul, MN 55075

Phone: 651.451.1205 | Fax: 651.457.7858

www.wipaire.com

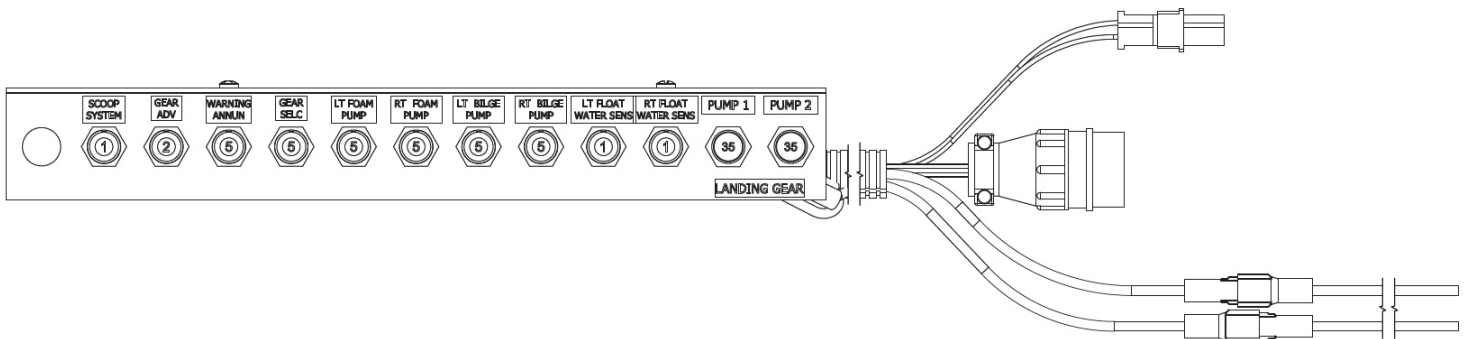
ITEMS PROVIDED IN SERVICE KIT 1011369-01

ITEM	QTY	PART NUMBER	DESCRIPTION
1	1	1011360	ASSEMBLY, HYDRAULIC POWER PACK
2	1	1011361-02	ASSEMBLY, HYDRAULIC HOSE, FILTER TO RESERVOIR
3	1	MS27769D3	PLUG, HEX, NPT SIZE 1/4, ALUMINUM
4	1	AN816-5-4D	NIPPLE ADAPTOR, STRAIGHT, PIPE TO TUBE
5	2	7271-8-35	KLIXON CIRCUIT BREAKER, 35 AMP

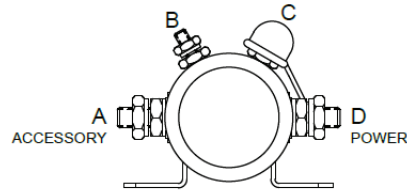


DISCONTINUED HYDRAULIC PUMP 10A09000-294

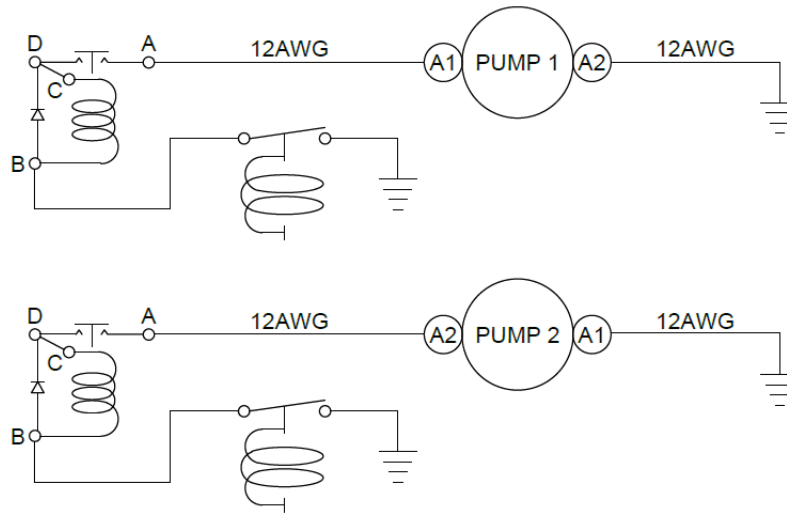
NEW HYDRAULIC PUMP 1011360



ASSEMBLY, AUX. CIRCUIT BREAKER 1001436



P52-0035-1



ELECTRICAL SCHEMATIC

AT-802 Work Instruction

AT-802 Model Only

1. Disconnect aircraft battery.
2. Remove and cap large hydraulic hose (10A09000-303) from hydraulic pump manifold.
3. Remove and cap hydraulic hose (10A09000-306) from hydraulic pump manifold.
4. Remove and discard hydraulic hose (1003661) from bypass filter to hydraulic pump manifold.
5. Unbolt and remove hydraulic power pack assembly (10A09000-294) from angles (10A12000-077) and (10A12357-083).
6. Install new hydraulic power pack (1011360) onto angles (10A12000-077) and (10A12357-083) using existing hardware.
7. Install MS27769D3 plug into reservoir port closest to sight gauge.
8. Install AN816-5-4D fitting into reservoir port closest to bypass filter (1003662).
9. Install hydraulic hose (1011361-02) from bypass filter (1003662) to AN816-5-4D in reservoir.
10. Re-install large hydraulic hose (10A09000-303) to hydraulic pump manifold.
11. Re-install large hydraulic hose (10A09000-306) to hydraulic pump manifold.
12. Remove the two 30 amp breakers (pump 1 & pump 2) from aux circuit breaker assembly (1001436).
13. Install two 35 amp breakers into aux circuit breaker assembly (1001436).
14. Reconnect aircraft battery, service pump reservoir with MIL-H-5606 hydraulic fluid, and perform a retraction/extension test to make sure system is functioning correctly. Watch the system for leaks and add MIL-H-5606 hydraulic fluid as needed.

AT-802A Work Instruction

AT-802A Model Only

1. Disconnect aircraft battery.
2. Remove and cap large hydraulic hose (10A09000-303) from hydraulic pump manifold.
3. Remove and cap hydraulic hose (10A09000-306) from hydraulic pump manifold.
4. Remove and discard hydraulic hose (1003661) from bypass filter to hydraulic pump manifold.
5. Unbolt and remove hydraulic power pack assembly (10A09000-294) from angles (10A12000-077) and 10A12357-083).
6. Install new hydraulic power pack assembly (1011360) onto angles (10A12000-077) and (10A12357-083) using existing hardware.
7. Install MS27769D3 plug into reservoir port on opposite side of sight gauge.
8. Install AN816-5-4D fitting into reservoir port closest to sight gauge.
9. Install hydraulic hose (1011361-02) from bypass filter (1003662) to AN816-5-4D in reservoir.
10. Re-install large hydraulic hose (10A09000-303) to hydraulic pump manifold.
11. Re-install hydraulic hose (10A09000-306) to hydraulic pump manifold.
12. Remove the two 30 amp breakers (pump 1 & pump 2) from aux circuit breaker assembly (1001436).
13. Install two 35 amp breakers into aux circuit breaker assembly (1001436).
14. Reconnect aircraft battery, service pump reservoir with MIL-H-5606 hydraulic fluid, and perform a retraction/extension test to make sure system is functioning correctly. Watch the system for leaks and add MIL-H-5606 hydraulic fluid as needed.

Aircraft Closing & Return to Service

1. Upon completion of inspection, enter information in Aircraft Logbook for completion of Wipaire Service Letter 207.