



WIPLINE FLOATS • SKIS • MODIFICATIONS • AIRCRAFT SALES
AVIONICS • INTERIOR • MAINTENANCE • PAINT REFINISHING



**PARTS MANUAL
FOR
WIPLINE MODEL 2350 FLOATS
ON
CESSNA 172 & 175 SERIES**

Revision N

1700 Henry Ave. - Fleming Field (KSGS), South St. Paul, MN 55075
Ph: 651.451.1205 Fax: 651.457.7858
www.wipaire.com

THIS PAGE INTENTIONALLY LEFT BLANK

LOG OF REVISIONS

Revision	Pages Affected	Description	Date
A	53-59	Added Grove/Wipaire drawing and parts list and revised table of contents.	12/12/2005
B	42, 50	Nose and main gear retraction cylinder p/n changed.	3/20/2006
C	20-26	Changed float deck p/ns.	8/3/2006
D	All	Changed p/ns for main gear bushings. Added part number and revision to all pages. Ref 4 – drag wire 1002111 was 21A02000-136. Ref 10–wire pull 21A02462-005 was 21A02519-008.	11/3/2006
E	44, 51	Hydraulic cylinder part numbers changed.	7/21/2007
F	Multiple pages updated	Many pages changed with updated part numbers for parts. New figure added for water rudder.	9/1/2010
G	All	Reformatted entire manual, update to part sales dept page, added new warranty and customer information, updated hyd. pump, gear selector, strut, step, steering/retract, wires and spreader bar, electrical schematic images and BOMs, corrected multiple clerical errors and incorrect part/item callouts, added grove nose wheel, washer 415067 was 359071, replaced nose gear retraction fig. 10 and BOM, replaced water rudder fig. 9 and BOM.	7/7/2014
H	3	Removed Warranty Claim Form	3/31/2016
J	11, 15-16, 17, 20-21, 49-51, 69, 70	Updated bulkhead assembly drawings and part numbers for amphibian and seaplane. Added hardware to Nose Gear Retraction Assembly. Changed Tire AA104 to AA1D4. Changed Brake Pad from 66-111 to 066-111 and changed rivet 105-2 to 066-001 in Main Gear Wheel.	8/23/2019
K	75-77, 91	Changed NAS114D0763J to NAS1149D0763J in Struts, Wires, and Spreader Bars section. Updated drawing and parts for Ventral Fin and Fuselage Steps. Housing Connector Assembly 2601048-200 is no longer available, it has been replaced by 73F-250-32-NL Female Connector, 10-12 AWG and 73M-250-32-NL Male Connector, 10-12 AWG.	11/4/2019
L	All	Reformatted manual in new software. Added Cessna 175 model to title page. Updated sections and created new drawings for bulkhead assemblies. Updated Wheel Well Assemblies image and parts list. Added note about nose and main gear tire/tube. Update Tire and Tube part numbers AA1D4 and XA1AC. Added 3A07005-178 Clip, Switch, Nose & Main to Nose Gear Retraction Assembly. Created sections for skins. Updated bottom skins and stiffeners. Added sections for Pre/Post Service Letter 228 for Hydraulics and Electrical. Updated Hydraulic Systems Installation image and parts list. Updated Hydraulic Powerpacks 1011849 and 1011850 image and parts list. Updated Hydraulic Pump Overview image and parts list. Updated electrical schematic image and parts list. Updated Gear Control (Rectangle) image and parts list. Added 1001431 Gear Control for G1000 equipped aircraft image and parts list.	5/7/2021
M	All	Combined Nose Gear section with Main Gear section to form new Landing Gear section.	1/5/2022
N	79	Changed 010-026 Seal to 471570 Seal, Timken.	7/19/2022

View most current version of parts manual at www.wipaire.com.

THIS PAGE INTENTIONALLY LEFT BLANK

TABLE OF CONTENTS

FLOAT PART SALES DEPARTMENT OPERATIONS	6
INTRODUCTION	7
SECTION 1 HULL BULKHEAD ASSEMBLIES.....	9
SECTION 2 WHEEL WELL ASSEMBLIES	35
SECTION 3 SKINS & STIFFENERS	41
SECTION 4 TOP DECK ASSEMBLY.....	49
SECTION 5 EXTRUSIONS	57
SECTION 6 PUMPER TUBE INSTALLATION.....	63
SECTION 7 WATER RUDDER AND STEERING & RETRACT SYSTEM	65
SECTION 8 LANDING GEAR.....	73
SECTION 9 STRUTS, WIRES, STEPS, & SPREADER BARS	89
SECTION 10 HYDRAULIC SYSTEM	99
SECTION 11 ELECTRICAL.....	119

FLOAT PART SALES DEPARTMENT OPERATIONS

Parts Sales:

Wipaire, Inc.

1700 Henry Avenue – Fleming Field

South St. Paul, MN 55075

Telephone: (651) 306-0459

Fax: (651)-306-0666

Website: www.wipaire.com

Email: customerservice@wipaire.com

Note: Any information not found in this manual for strut package parts and other installation items refer to the installation drawing package provided with the STC at the time of float installation. Additional drawing copies are available for purchase through the Wipaire Customer Service Department.

Parts Ordering

Purchase orders should include:

1. Purchase order number
2. Name of person placing order
3. Invoicing information:
 - a. Customer name - company or individual
 - b. Address
 - c. Phone and fax number
4. Shipping information:
 - a. Address (if different from invoice address)
 - b. Method of shipment/preferred carrier
5. Aircraft model, float model, and serial numbers
6. Wipaire part number; name; type, e.g. left or right; quantity
7. Payment method: VISA, MasterCard, C.O.D. (Collect on Delivery) (U.S. customers only), pre-payment by check or wire transfer, open account (see Credit Policy)

INTRODUCTION

All references in this manual to LEFT and RIGHT are from the perspective of the pilot's seat with the floats fully installed and ready for floatplane operation.

The following is a list of abbreviations that may appear in the description nomenclature fields of this manual:

AB	Afterbody	Inbd.	Inboard
Amphib.	Amphibious	Lg.	Large
AR	As Required	Lt.	Left
Assy.	Assembly	Lwr.	Lower
Brkt.	Bracket	Opt.	Optional
Btm.	Bottom	Otbd.	Outboard
Bulk.	Bulkhead	Reinf.	Reinforcement
Ctr.	Center	Rr.	Rear
Cyl.	Cylinder	Rt.	Right
Ft.	Front	Sm.	Small
Ftg.	Fitting	SN	Serial Number
Fus.	Fuselage	Spr.	Spreader
Fwd	Forward	Upr.	Upper
Horiz.	Horizontal	Vert.	Vertical
Hyd.	Hydraulic	W.W.	Wheel Well

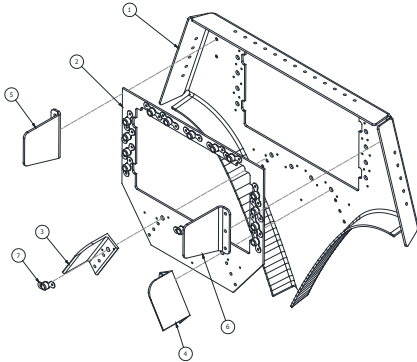
USING THIS PARTS MANUAL

COVERAGE

Parts information is provided in this manual for the hulls and all "deck down" parts. For information on strut package parts and other aircraft installation items, refer to the installation drawing package provided with the STC at the time of float installation. Additional drawing copies are available for purchase through Wipaire Customer Service Department.

Name of main part in the section. Example: This part is showing the components made up in Bulkhead #1.

BULKHEAD #1



Main part image. If the image has numbers associated with it, then those numbers are item numbers shown in the table below.

Items with a (-) instead of a number represent the main part as an assembly. Other parts represent the parts included in the assembly.

ITEM	QTY	PART NO.	PART DESCRIPTION
-	1	1008815	ASSEMBLY BULKHEAD #1, 10000
1	1	1008797	PANEL, BULKHEAD #1
2	1	13A01156-085	DOUBLER #1 BULKHEAD
3	1	13A01357-049	CLEAT, SISTER KEEL ATTACH #1 BULKHEAD
4	1	13A01357-050	CLEAT, SISTER KEEL ATTACH #1 BULKHEAD
5	1	6A01156-054	ANGLE – TOP RAIL
6	1	6A01156-055	ANGLE – TOP RAIL
7	17	MS21047L4	NUT PLATE, SELF LOCKING

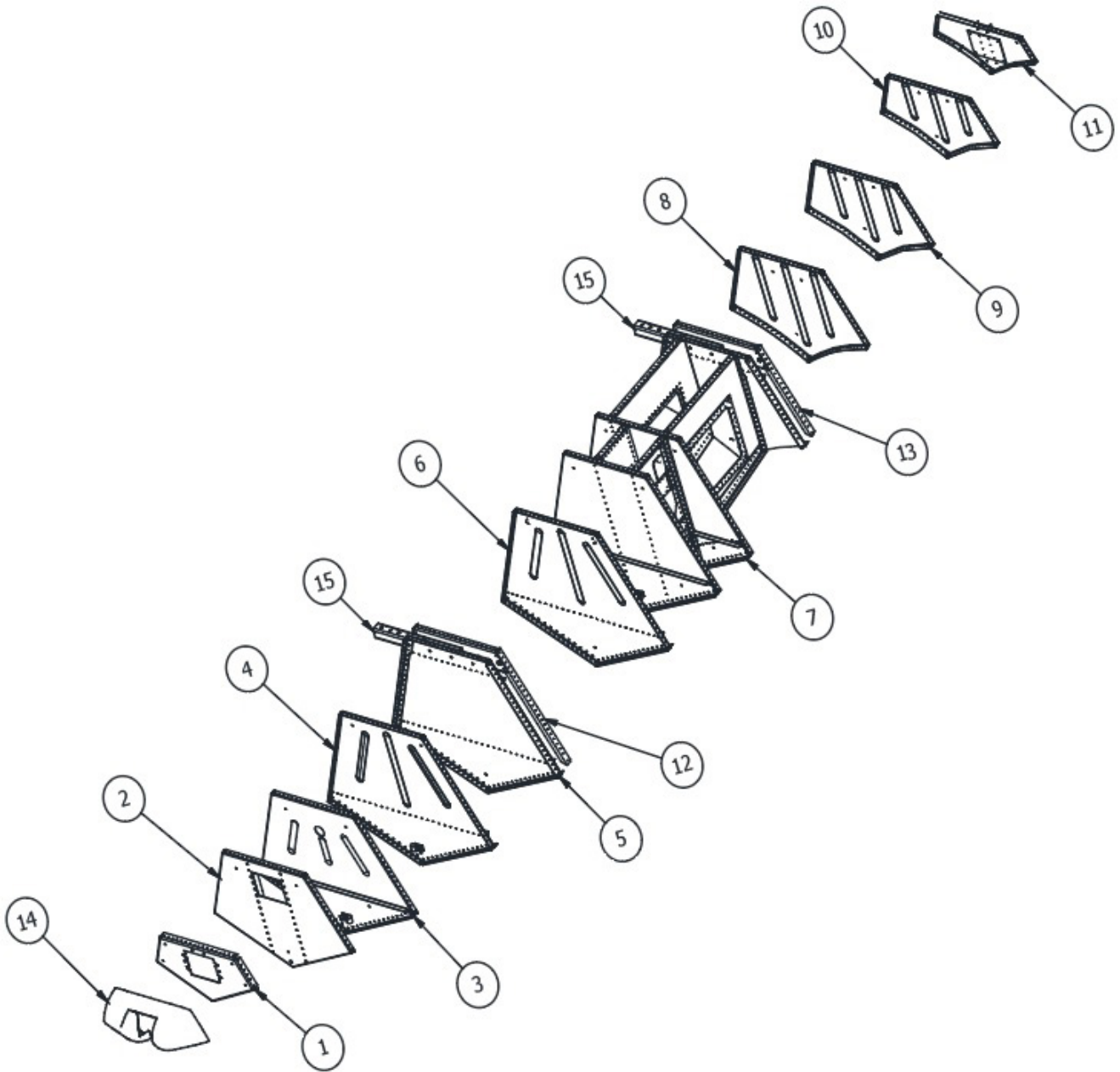
To order an individual part, order the part number associated with item number.

SECTION 1 HULL BULKHEAD ASSEMBLIES

CONTENTS

HULL ASSEMBLY OVERVIEW - AMPHIBIAN	10
HULL ASSEMBLY OVERVIEW - SEAPLANE	12
NOSE BUMPER AMPHIBIAN ONLY	14
NOSE BUMPER SEAPLANE ONLY	15
BULKHEAD #1	16
BULKHEAD #3	17
BULKHEAD #4	18
BULKHEAD #5	19
BULKHEAD #6 FWD	20
BULKHEAD #6 AFT	21
BULKHEAD #6 FWD SEAPLANE ONLY	22
BULKHEAD #6 AFT SEAPLANE ONLY	23
BULKHEAD #7 LEFT FLOAT AMPHIBIAN ONLY	24
BULKHEAD #7 RIGHT FLOAT AMPHIBIAN ONLY	25
BULKHEAD #8 LEFT FLOAT AMPHIBIAN ONLY	26
BULKHEAD #8 RIGHT FLOAT AMPHIBIAN ONLY	27
BULKHEAD #10 AMPHIBIAN ONLY	28
BULKHEAD #10 SEAPLANE ONLY	29
BULKHEAD #11	30
BULKHEAD #12	31
BULKHEAD #13	32
BULKHEAD #15	33

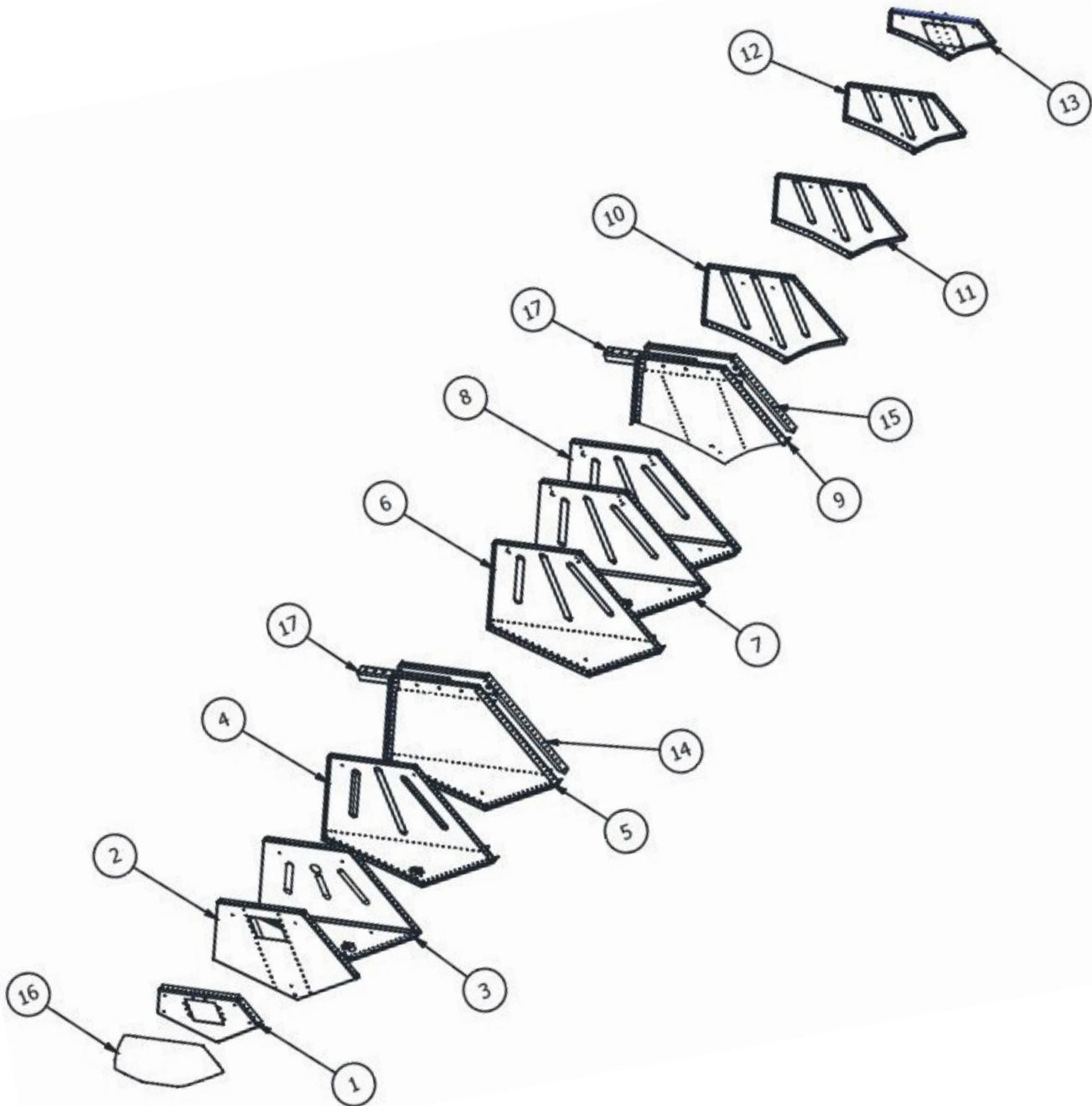
HULL ASSEMBLY OVERVIEW - AMPHIBIAN



PARTS MANUAL
2350 FLOATS ON CESSNA 172 &175 SERIES

ITEM	QTY	PART NO.	PART DESCRIPTION
1	1	21A01163-067	BULKHEAD #1
2	1	21A01000-265	ASSEMBLY, BULKHEAD #3
3	1	21A01000-261	ASSEMBLY, 2350 BULKHEAD #4
4	1	23A01000-296	ASSEMBLY, BULKHEAD STN #5
5	1	23A01000-297	BULKHEAD STN #6 ASSY
6	1	21A01000-252	ASSEMBLY, 2350 BULKHEAD #6
7 LT	1	21A01000-293	WHEEL WELL BUILD UP ASSY. LT.
7 RT	1	21A01000-294	WHEEL WELL BUILD UP ASSY RT.
8	1	21A01000-395	BULKHEAD STN. #11 ASSY
9	1	21A01000-396	ASSY, BULKHEAD #12
10	1	21A01000-397	ASSEMBLY, BULKHEAD #13
11	1	23A01000-298	BULKHEAD #15 ASSY
12	1	21A01000-260	SPREADER BAR PANEL FWD. ASSY.
13	1	21A01000-259	SPREADER BAR PANEL AFT ASSY
14	1	21A01000-295	NOSE BUMPER AMPHIBIAN
15	2	21A03115-001	TUBE, SPREADER BAR, MOUNTING

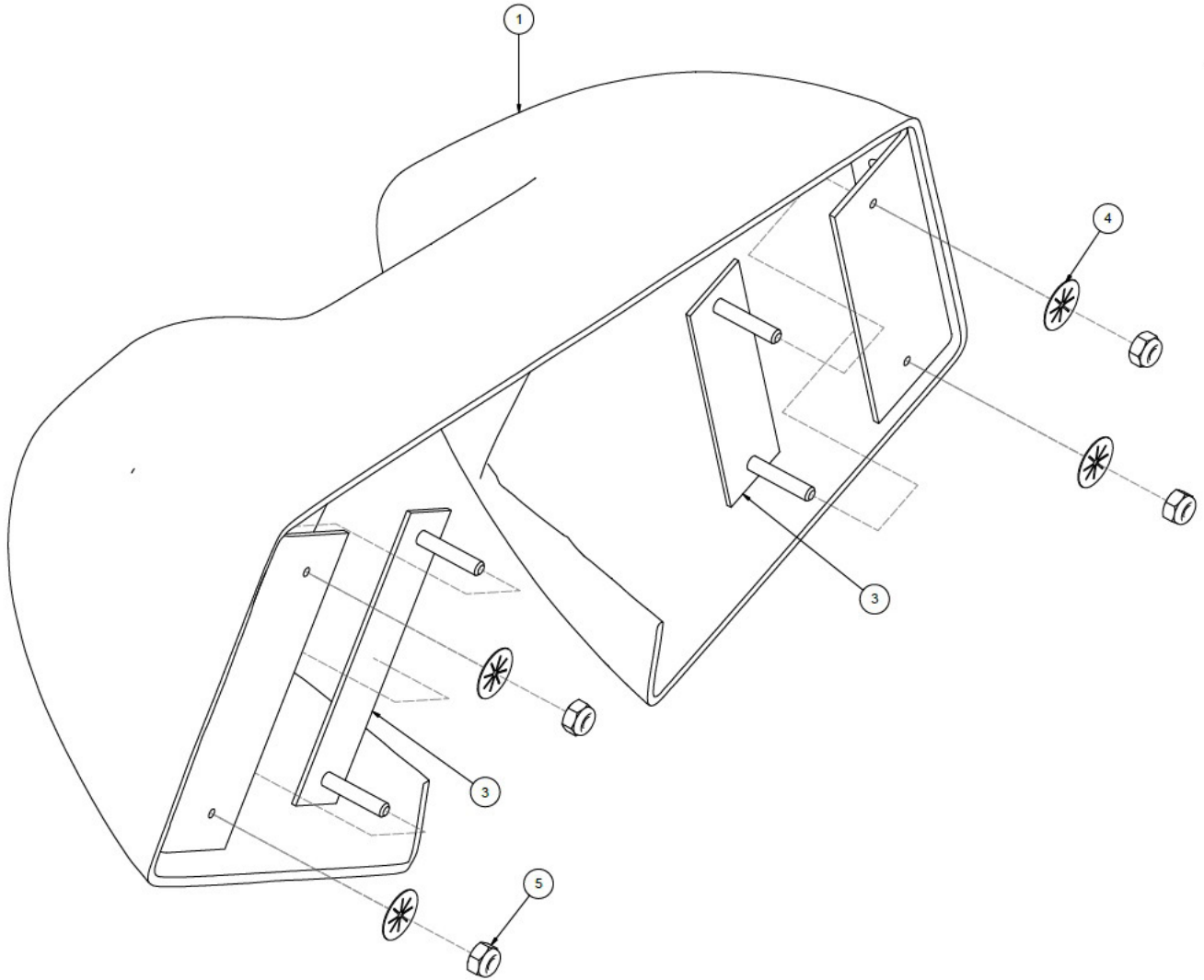
HULL ASSEMBLY OVERVIEW - SEAPLANE



PARTS MANUAL
2350 FLOATS ON CESSNA 172 &175 SERIES

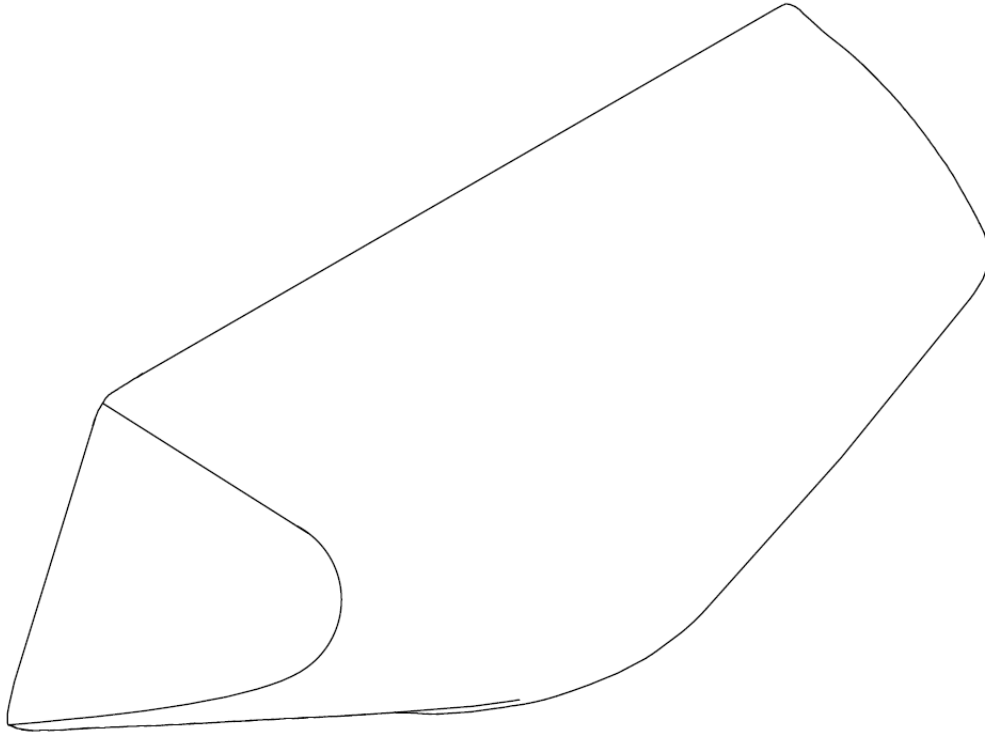
ITEM	QTY	PART NO.	PART DESCRIPTION
1	1	21A01163-067	BULKHEAD #1
2	1	21A01000-265	ASSEMBLY, BULKHEAD #3
3	1	21A01000-261	ASSEMBLY, 2350 BULKHEAD #4
4	1	23A01000-296	ASSEMBLY, BULKHEAD STN #5
5	1	23A01000-297	BULKHEAD STN #6 ASSY
6	1	21A01000-252	ASSEMBLY, 2350 BULKHEAD #6
7	1	21S01000-308	ASSEMBLY, 2350 BULKHEAD #6
8	1	21S01000-309	ASSEMBLY, 2350 BULKHEAD #6
9	1	21S01000-322	ASSEMBLY, BULKHEAD 10, 2350 COMP
10	1	21A01000-395	BULKHEAD STN. #11 ASSY
11	1	21A01000-396	ASSY, BULKHEAD #12
12	1	21A01000-397	ASSEMBLY, BULKHEAD #13
13	1	23A01000-298	BULKHEAD #15 ASSY
14	1	23A01000-302	ASSY, SPREADER BAR PANEL, FWD
15	1	21A01000-259	ASSY, SPREADER BAR PANEL, AFT
16	1	21S01738-001	NOSE BUMPER - SEAPLANE
17	2	21A03115-001	TUBE, SPREADER BAR, MOUNTING

NOSE BUMPER AMPHIBIAN ONLY



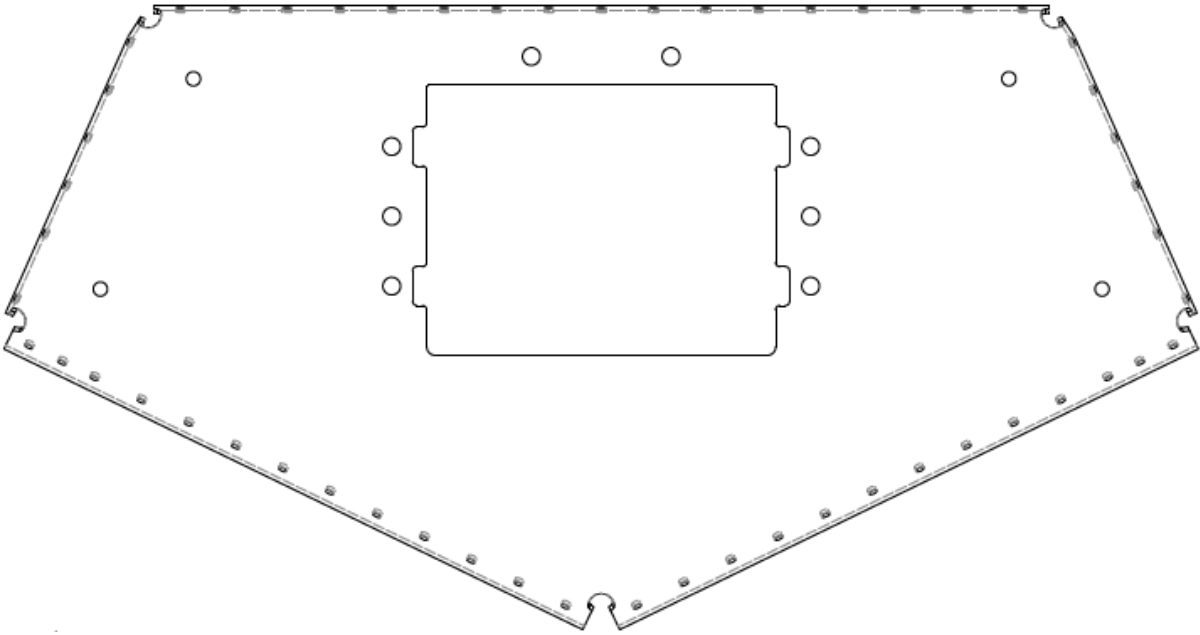
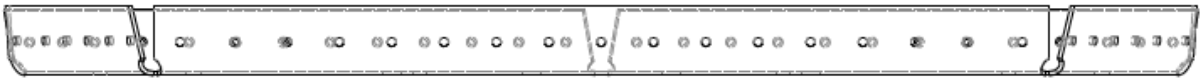
ITEM	QTY	PART NO.	PART DESCRIPTION
-	1	21A01000-295	NOSE BUMPER - AMPHIBIAN
1	1	21A01000-295-1	NOSE BUMPER
2	2	21A01000-295-2	ANGLE, MOUNT, NOSE BUMPER
3	2	21A01000-295-3	PLATE, SCREW MOUNT, NOSE BUMPER
4	4	4HFW3	PUSH NUT WASHER
5	4	MS21044N3	NUT, LOCKING, REGULAR HEIGHT, 10-32 UNF
6	4	MS51958-67	SCREW, BUTTON HEAD

NOSE BUMPER SEAPLANE ONLY



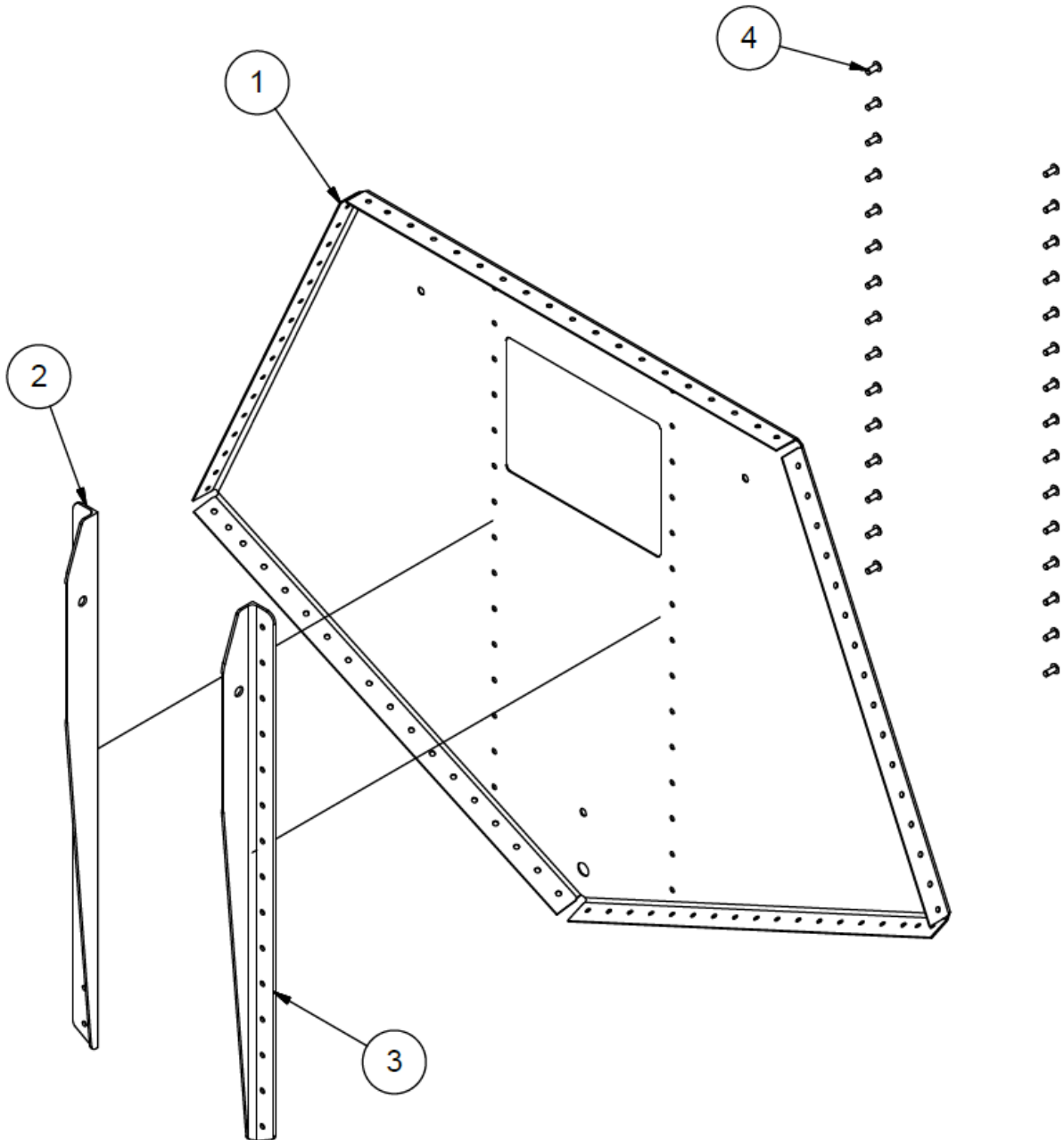
ITEM	QTY	PART NO.	PART DESCRIPTION
-	1	21S01738-001	NOSE BUMPER - 2100 SEAPLANE

BULKHEAD #1



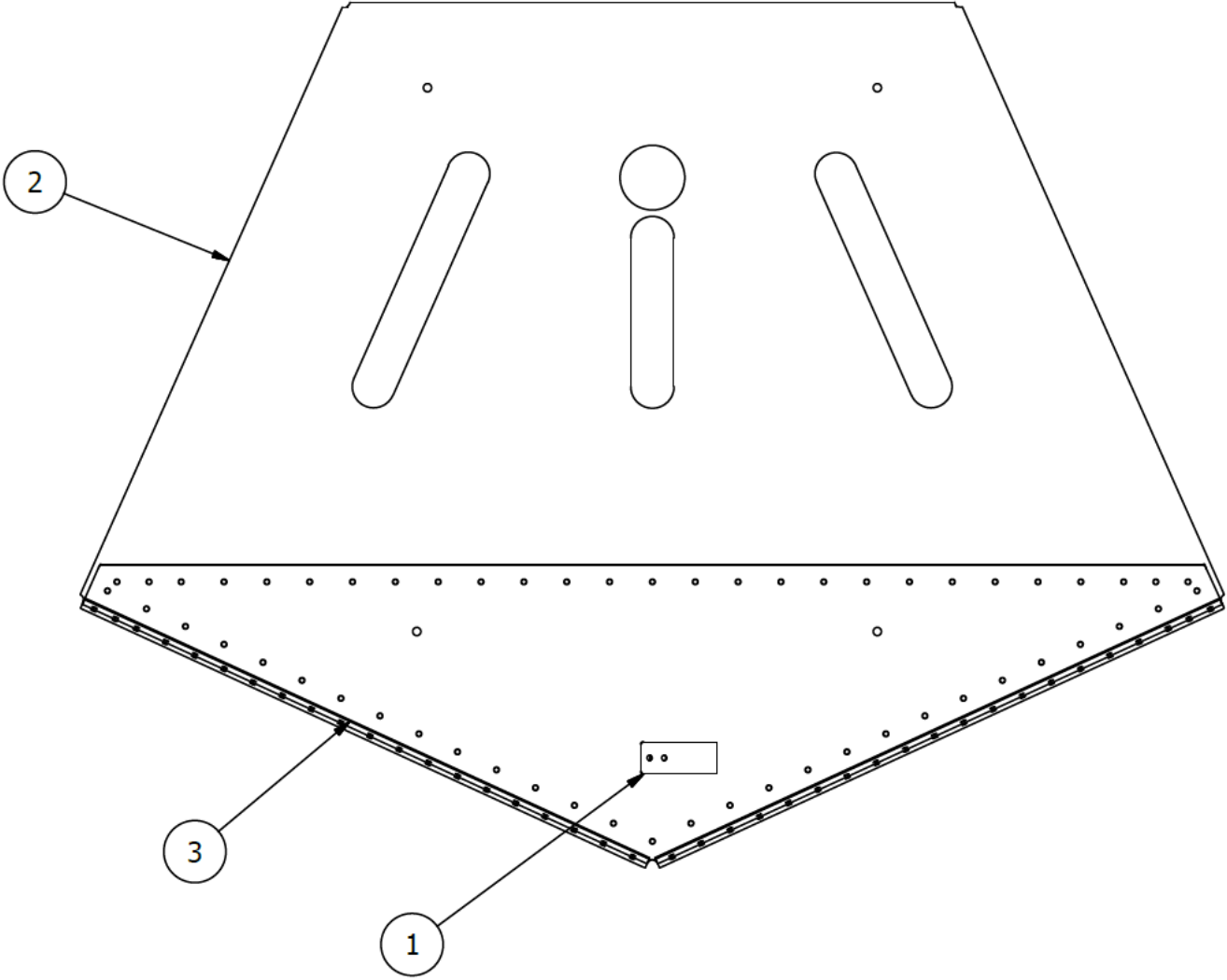
ITEM	QTY	PART NO.	PART DESCRIPTION
-	1	21A01163-067	BULKHEAD #1

BULKHEAD #3



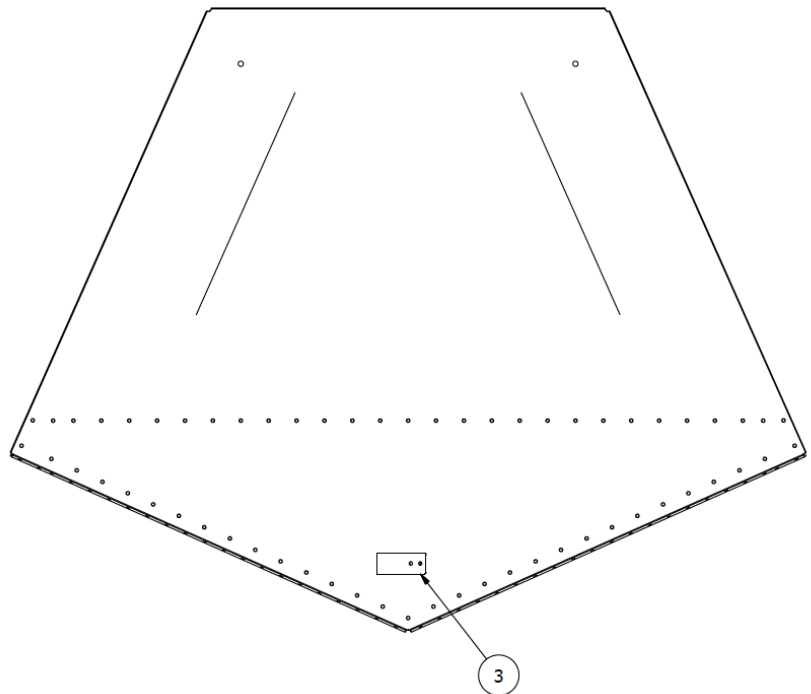
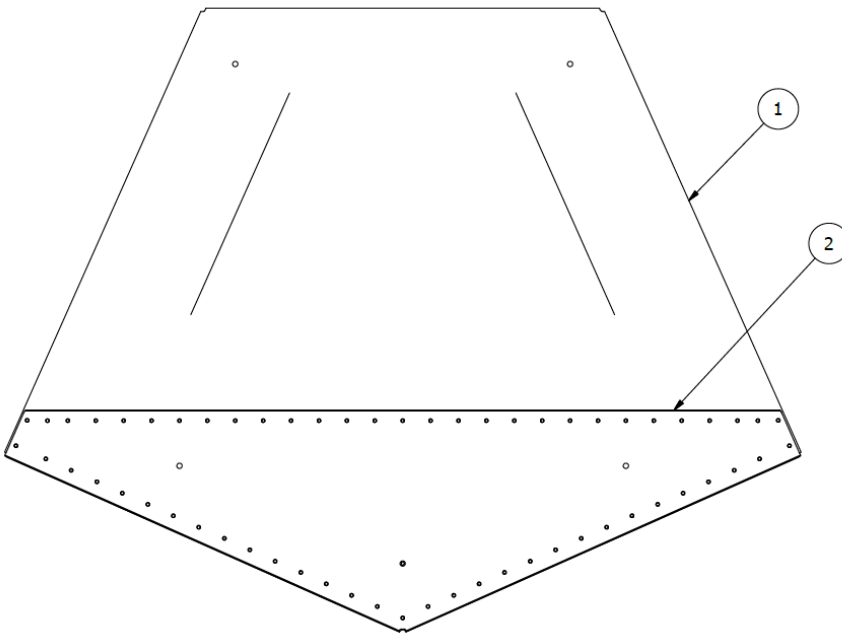
ITEM	QTY	PART NO.	PART DESCRIPTION
-	1	21A01000-265	ASSEMBLY, BULKHEAD #3
1	1	21A01158-184	BULKHEAD #3
2	1	21A01326-005	ANGLE, SUPPORT BULKHEAD #3
3	1	21A01326-006	ANGLE, SUPPORT BULKHEAD #3
4	30	AN470AD4-5	RIVET

BULKHEAD #4



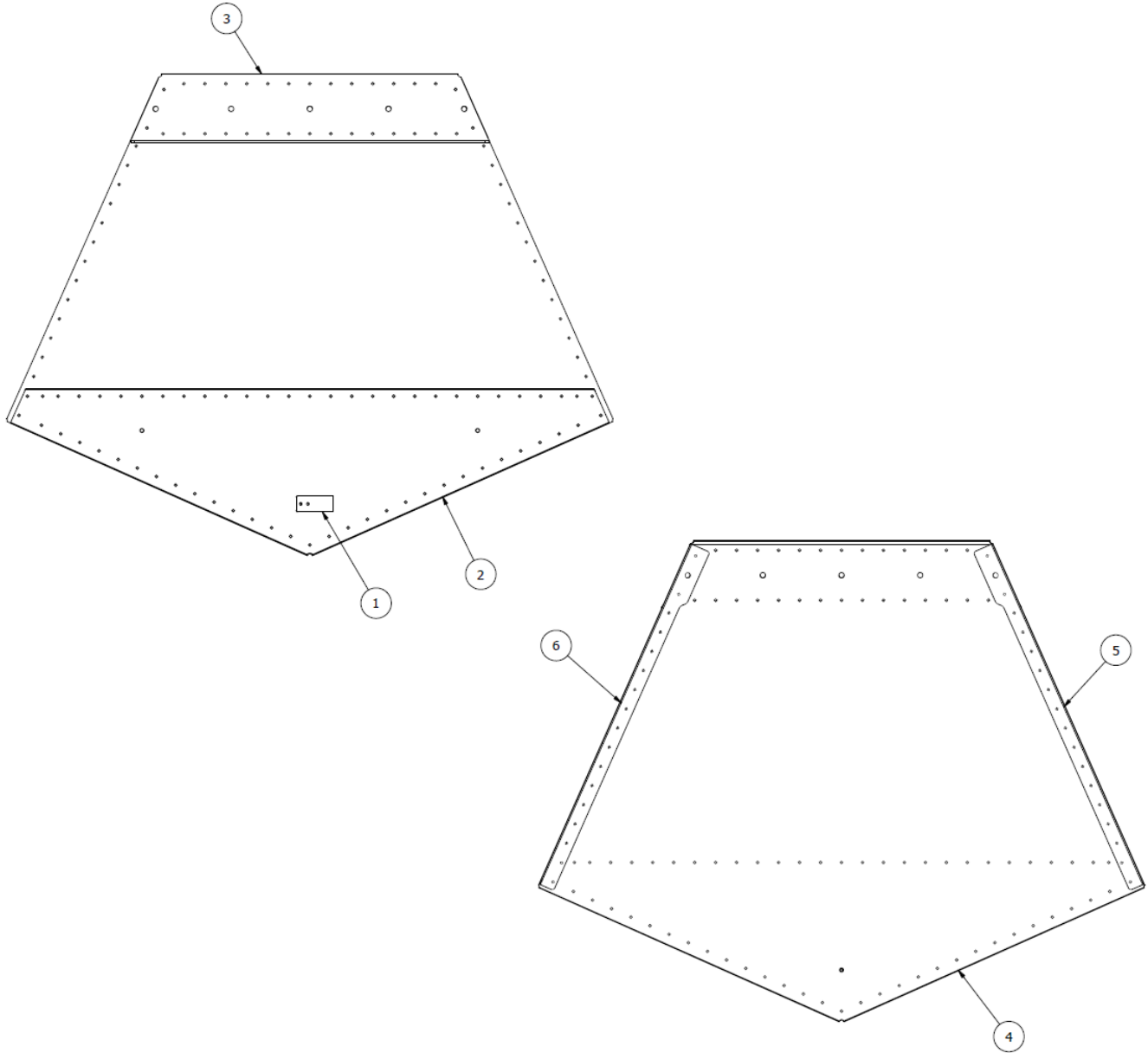
ITEM	QTY	PART NO.	PART DESCRIPTION
-	1	21A01000-261	ASSEMBLY, 2350 BULKHEAD #4
1	1	3A01158-003	CLAMP, PUMP OUT TUBE
2	1	21A01158-174	BULKHEAD #4 - FORMED
3	1	21A01158-175	BULKHEAD SUPPORT #4 - FORMED

BULKHEAD #5



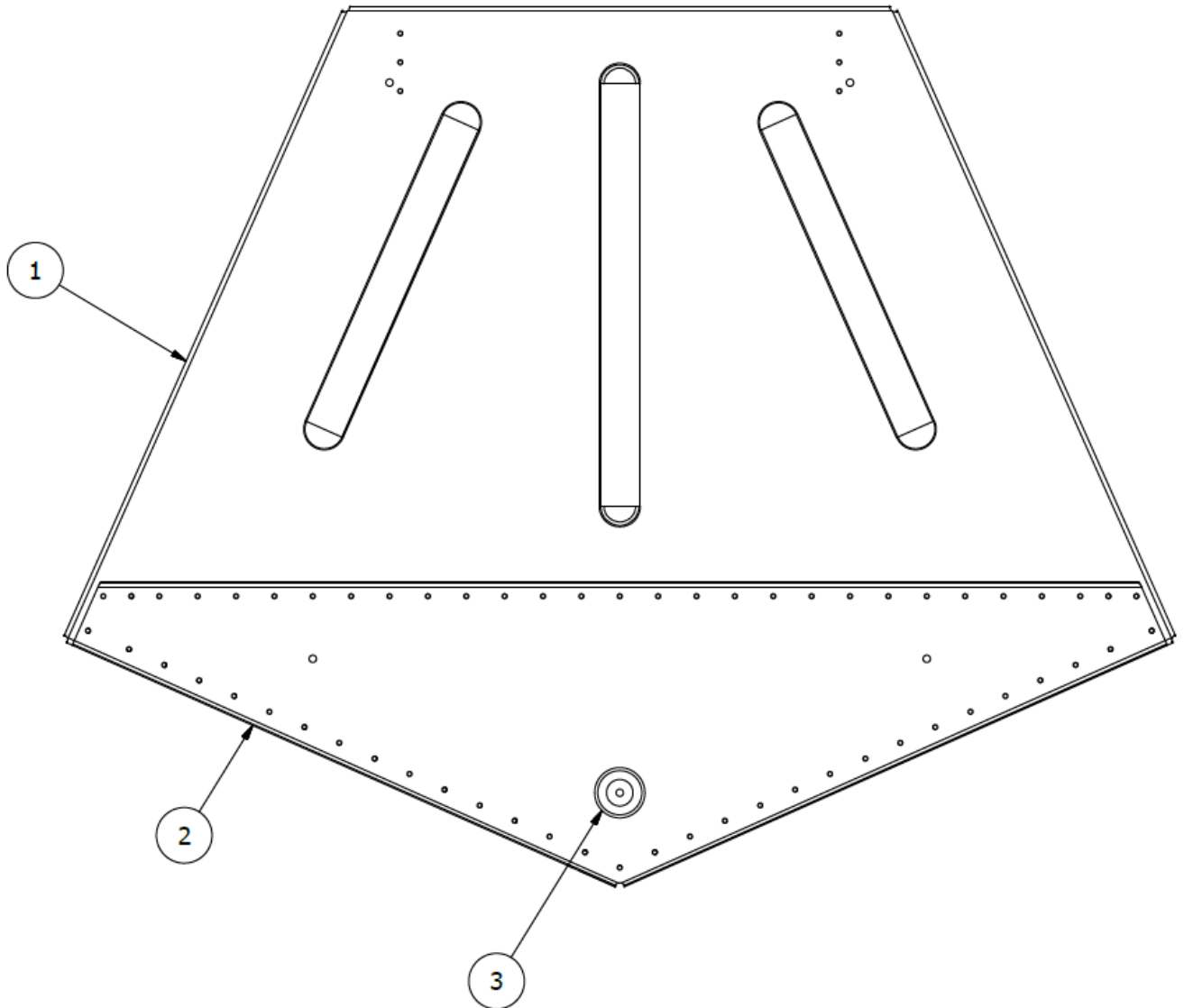
ITEM	QTY	PART NO.	PART DESCRIPTION
-	1	23A01000-296	ASSEMBLY, BULKHEAD STN #5
1	1	23A01158-196	BULKHEAD #5 - FORMED
2	2	21A01158-177	SUPPORT, BULKHEAD #6
3	3	3A01158-003	CLAMP, PUMP OUT TUBE

BULKHEAD #6 FWD



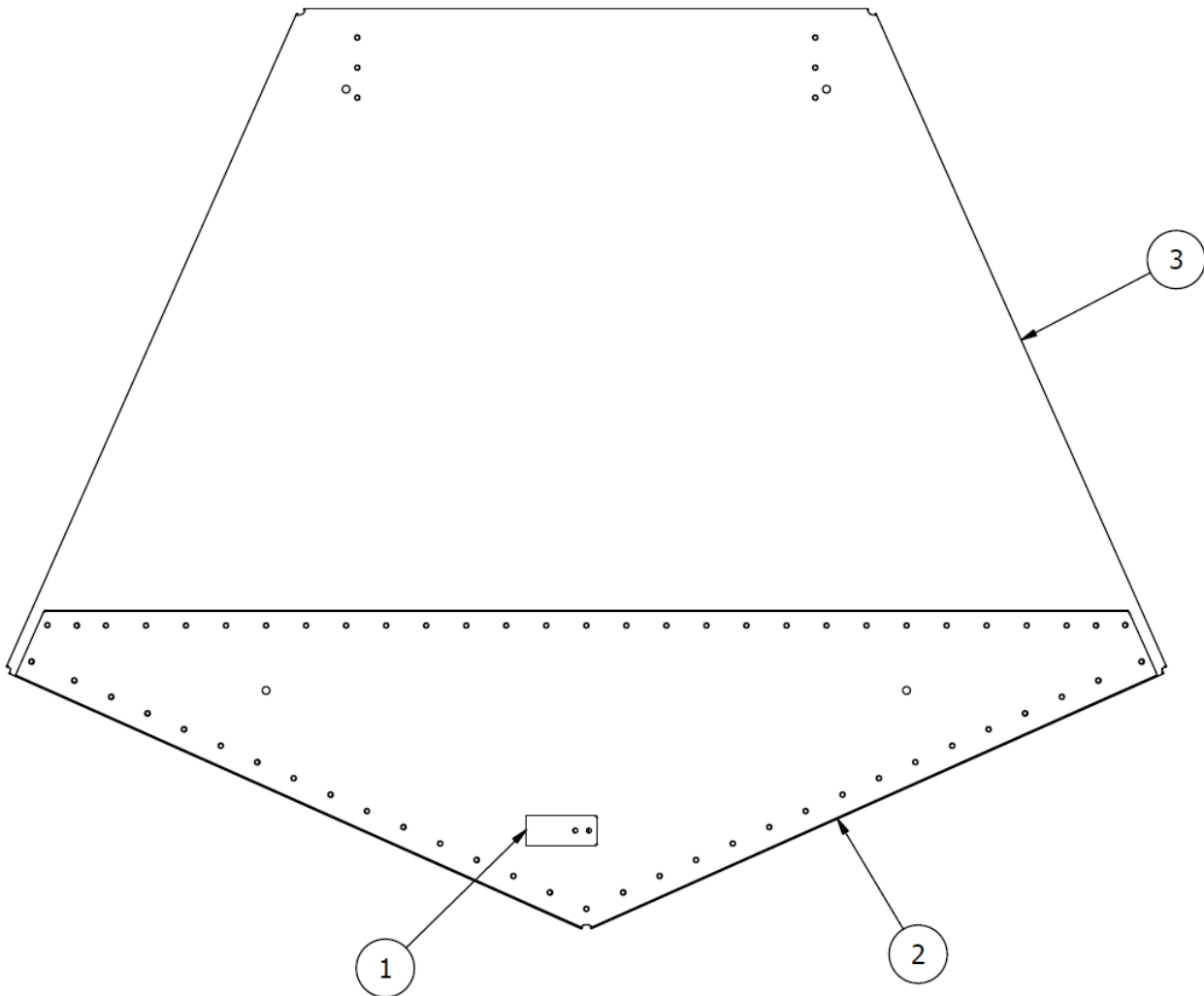
ITEM	QTY	PART NO.	PART DESCRIPTION
-	1	23A01000-297	BULKHEAD STN #6 ASSY
1	1	3A01158-003	CLAMP, PUMP OUT TUBE
2	1	21A01158-177	SUPPORT, BULKHEAD # 6
3	1	21A01163-066	SPREADER BAR PANEL
4	1	23A01158-197	BULKHEAD #6 - 2350
5	1	23A01326-016	ANGLE, BULKHEAD STN #5
6	1	23A01326-017	ANGLE, BULKHEAD STN #5

BULKHEAD #6 AFT



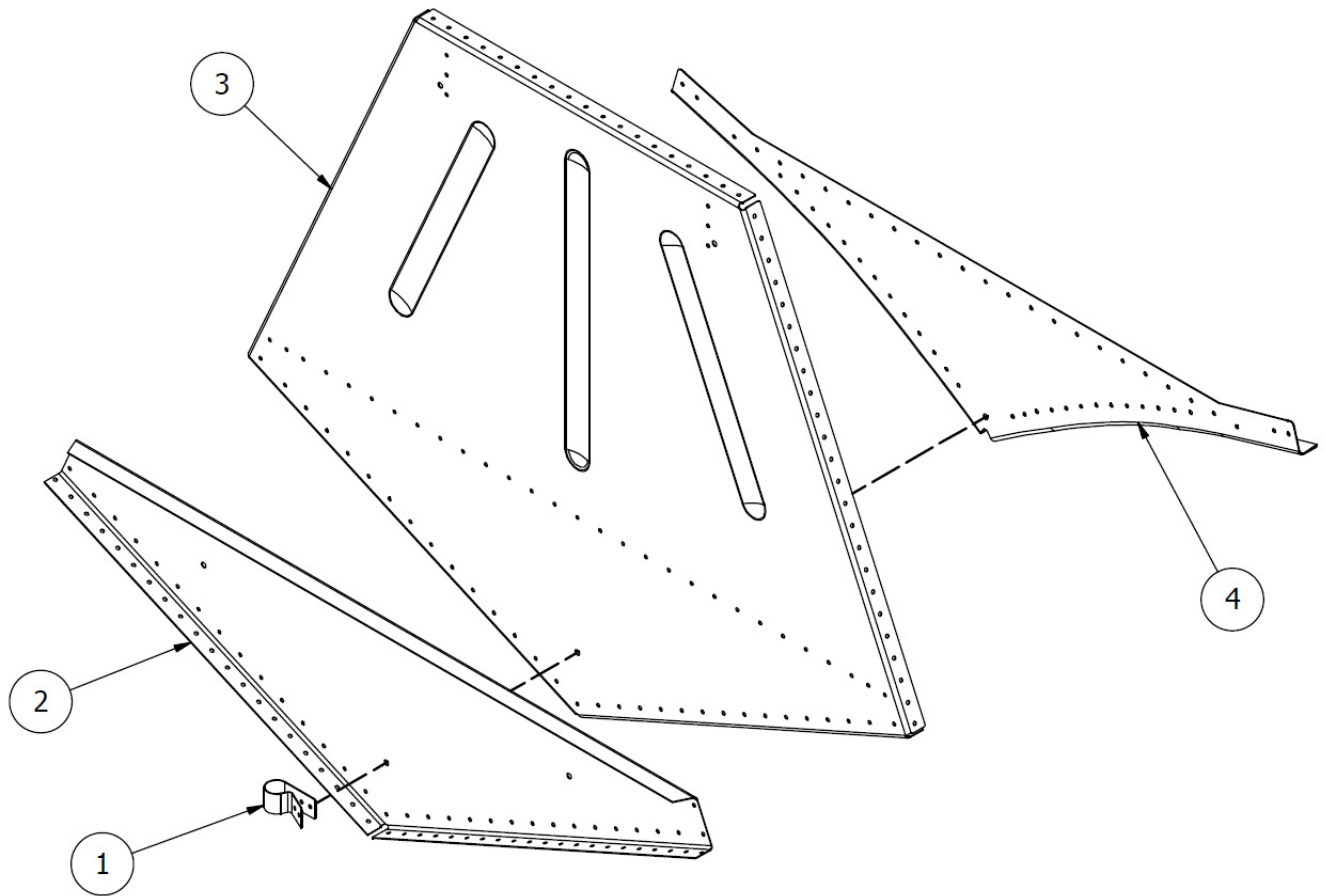
ITEM	QTY	PART NO.	PART DESCRIPTION
-	1	21A01000-252	ASSEMBLY, 2350 BULKHEAD #6
1	1	21A01158-189	BULKHEAD #6
2	1	21A01158-177	SUPPORT, BULKHEAD # 6
3	1	MS35489-19	GROMMET, RUBBER

BULKHEAD #6 FWD SEAPLANE ONLY



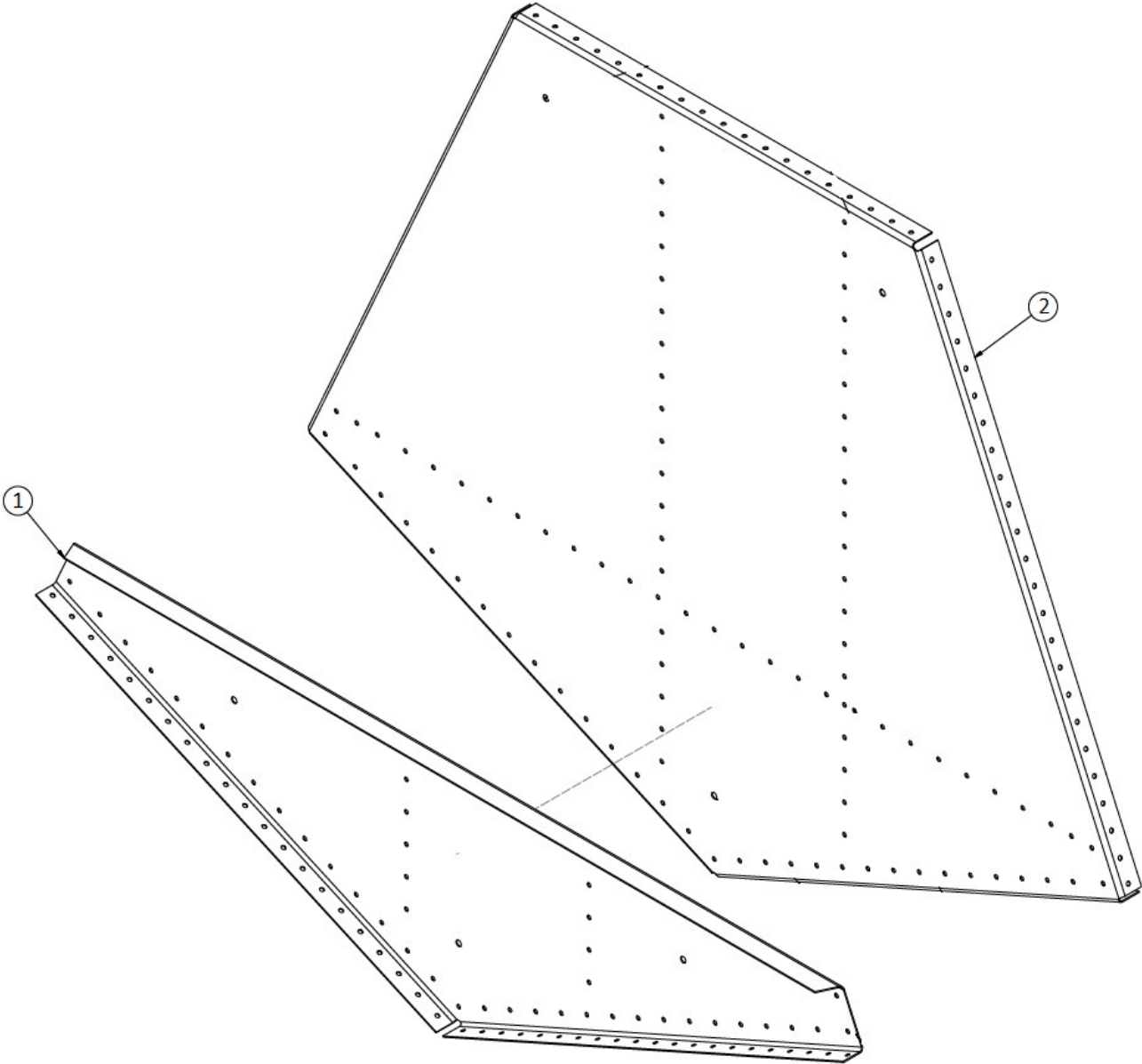
ITEM	QTY	PART NO.	PART DESCRIPTION
-	1	21S01000-308	ASSEMBLY, 2350 BULKHEAD #6 SEAPLANE
1	1	3A01158-003	CLAMP, PUMP OUT TUBE
2	1	21A01158-177	SUPPORT, BULKHEAD #6
3	1	21A01158-189	BULKHEAD #6

BULKHEAD #6 AFT SEAPLANE ONLY



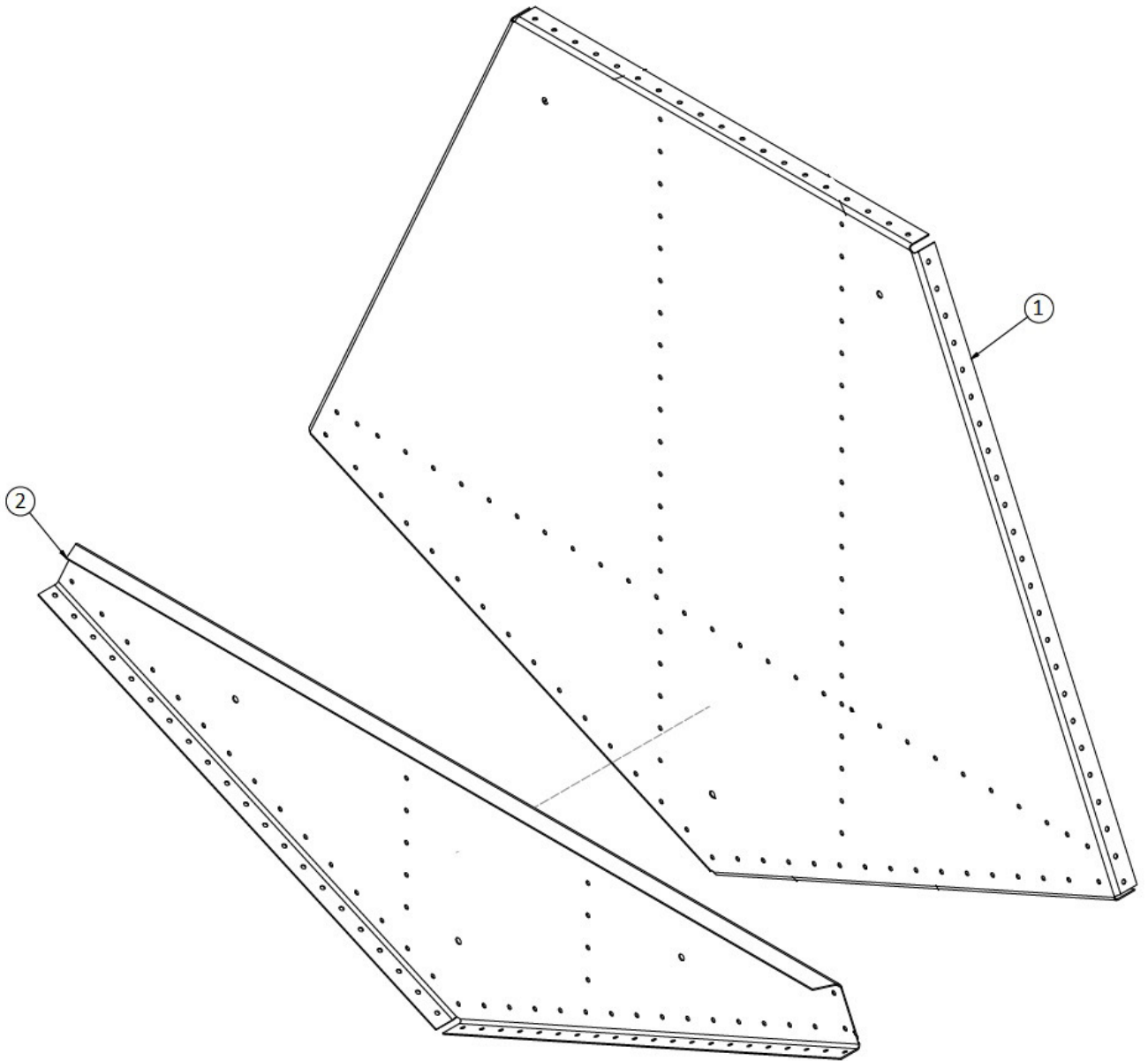
ITEM	QTY	PART NO.	PART DESCRIPTION
-	1	21S01000-309	ASSEMBLY, 2350 BULKHEAD #6 SEAPLANE
1	1	3A01158-003	CLAMP, PUMP OUT TUBE
2	1	21A01158-177	SUPPORT, BULKHEAD #6
3	1	21A01158-189	BULKHEAD #6
4	1	21S01158-203	ANGLE, BULKHEAD #8 AFT

BULKHEAD #7 LEFT FLOAT AMPHIBIAN ONLY



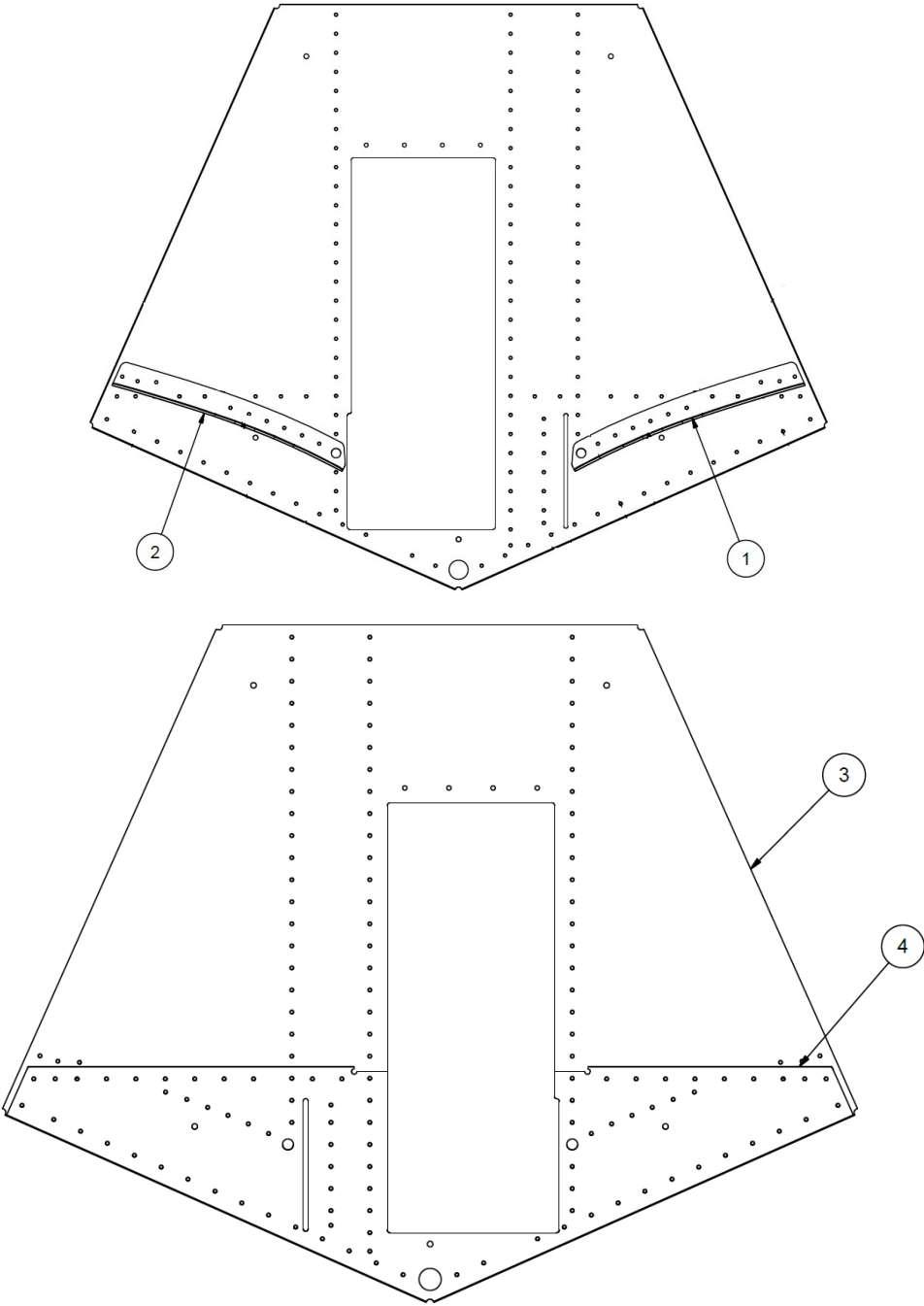
ITEM	QTY	PART NO.	PART DESCRIPTION
-	1	21A01000-267	ASSEMBLY, BULKHEAD #7, LH
1	1	21A01158-187	SUPPORT, BLKHD 7, RH, 2350
2	1	21A01158-181	BULKHEAD #7 - LH

BULKHEAD #7 RIGHT FLOAT AMPHIBIAN ONLY



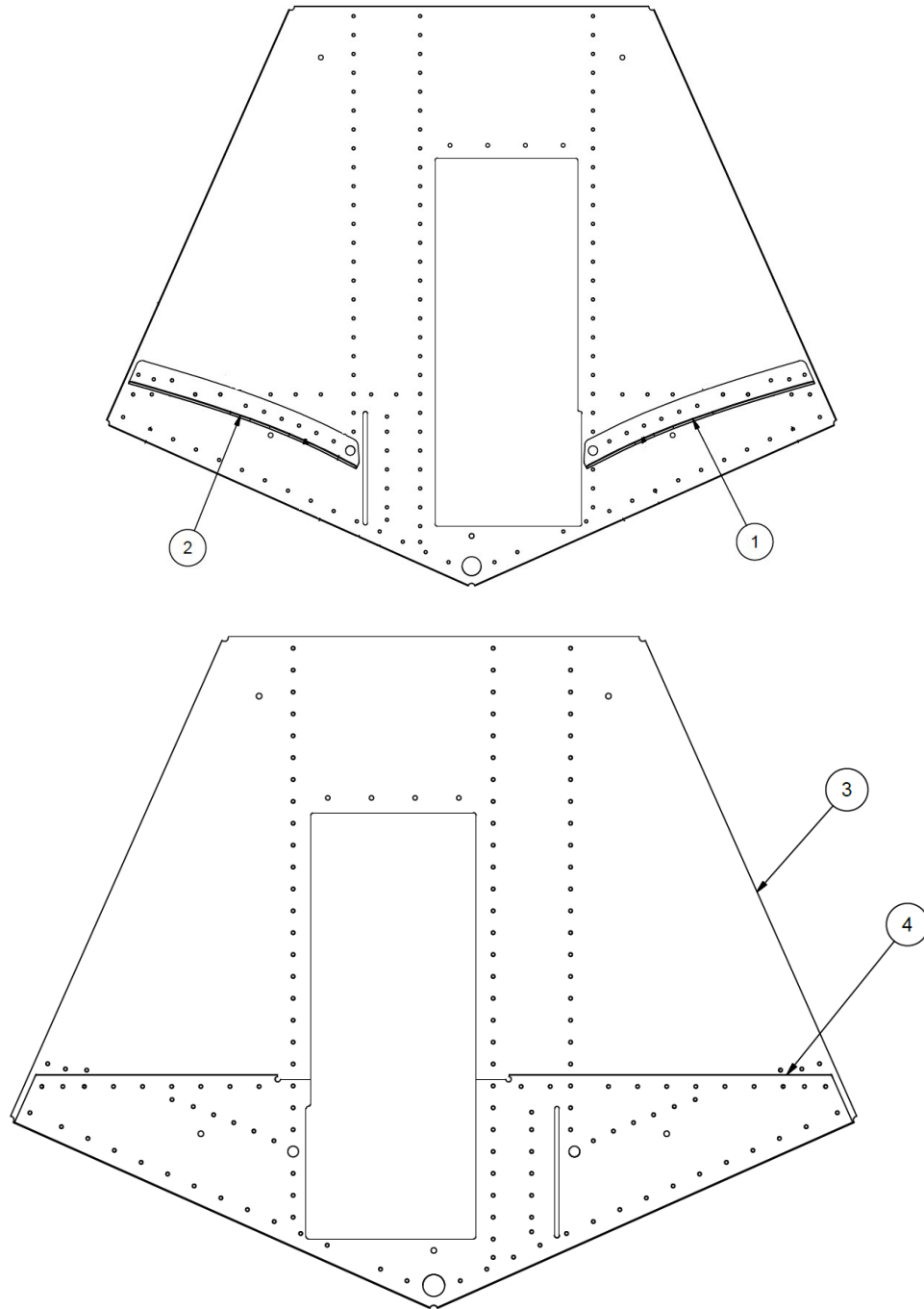
ITEM	QTY	PART NO.	PART DESCRIPTION
-	1	21A01000-266	ASSEMBLY, BULKHEAD #7, RH
1	1	21A01158-182	BULKHEAD #7 - RH
2	1	21A01158-188	SUPPORT, BLKHD 7, LH, 2350

BULKHEAD #8 LEFT FLOAT AMPHIBIAN ONLY



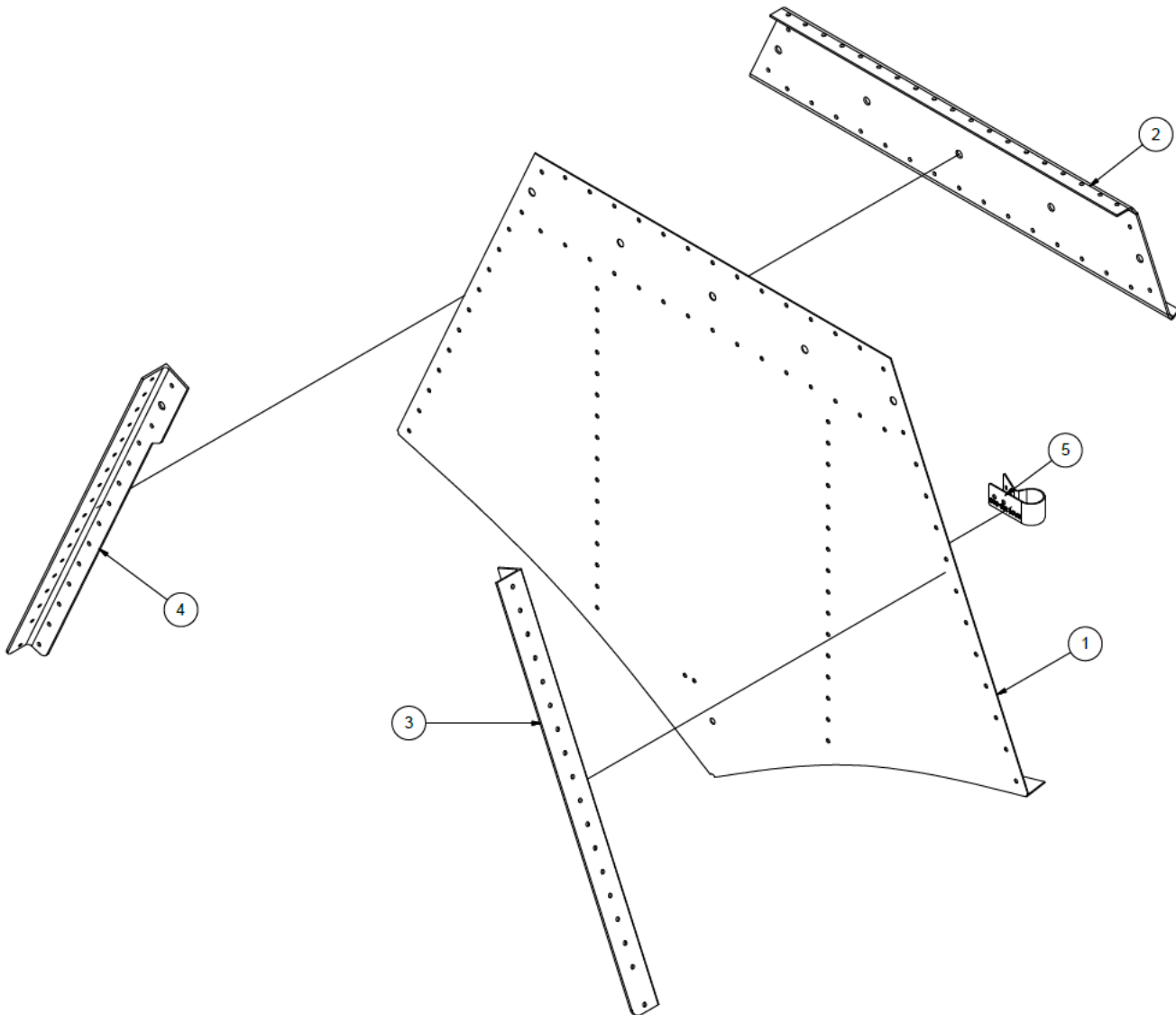
ITEM	QTY	PART NO.	PART DESCRIPTION
-	1	21A01000-263	ASSY, BULKHEAD #8, LH
1	1	21A01158-179	ANGLE - AFTERBODY ATTACH - RH
2	1	21A01158-180	ANGLE - AFTERBODY ATTACH - LH
3	1	21A01158-191	BULKHEAD #8 - LH - FORMED
4	1	21A01158-193	SUPPORT - LH - BULKHEAD #8

BULKHEAD #8 RIGHT FLOAT AMPHIBIAN ONLY



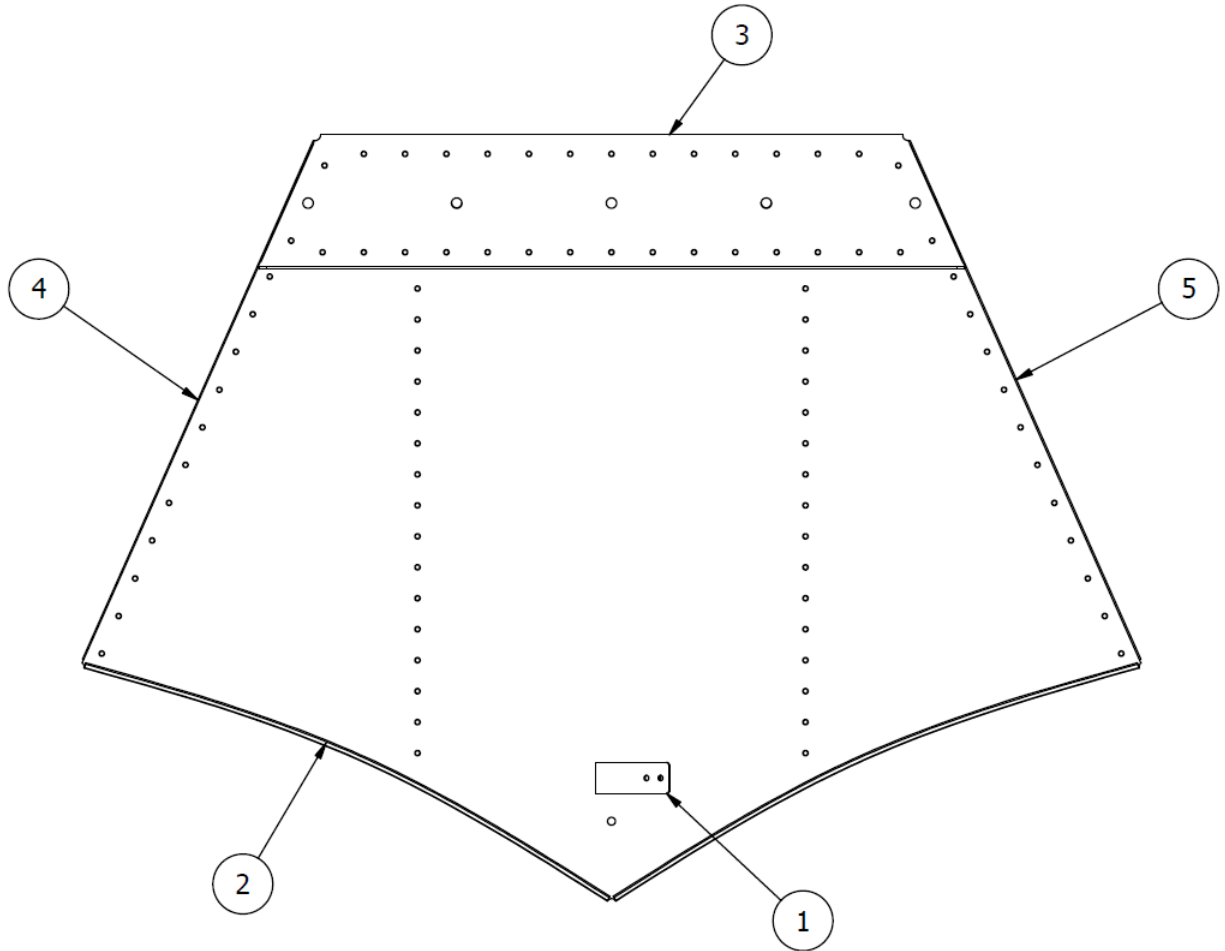
ITEM	QTY	PART NO.	PART DESCRIPTION
-	1	21A01000-264	ASSY, BULKHEAD #8, RH
1	1	21A01158-179	ANGLE - AFTERBODY ATTACH - RH
2	1	21A01158-180	ANGLE - AFTERBODY ATTACH - LH
3	1	21A01158-190	BULKHEAD #8 - RH - FORMED
4	1	21A01158-192	SUPPORT - RH - BULKHEAD #8

BULKHEAD #10 AMPHIBIAN ONLY



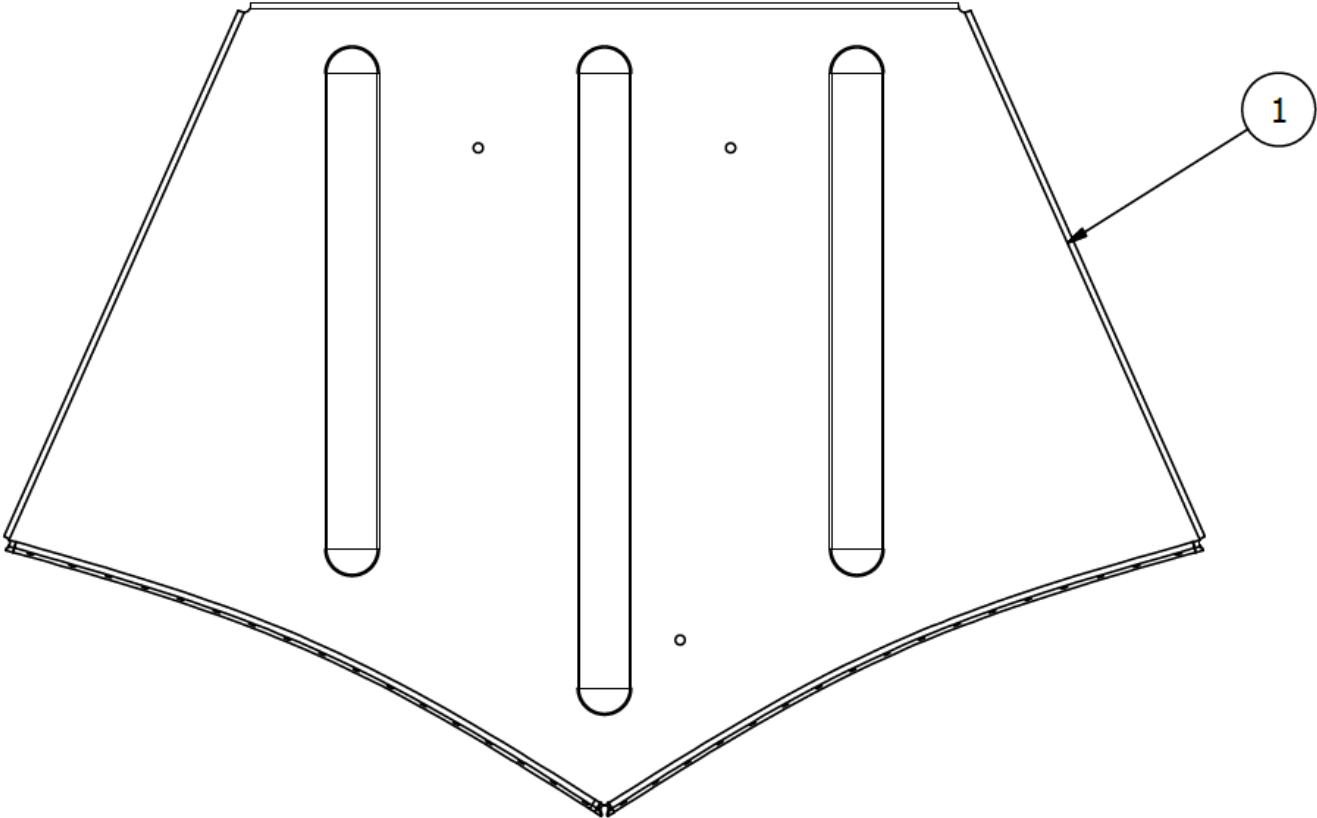
ITEM	QTY	PART NO.	PART DESCRIPTION
-	1	21A01000-262	ASSY, BLKHD 10, 2350 COMP
1	1	21A01158-169	BULKHEAD #10 - FORMED
2	1	21A01163-066	SPREADER BAR PANEL
3	1	21A01326-011	ANGLE, SIDE BAR, BULKHEAD #10, LF
4	1	21A01326-012	ANGLE, SIDE BAR, BULKHEAD #10, RT
5	1	3A01158-003	CLAMP, PUMP OUT TUBE

BULKHEAD #10 SEAPLANE ONLY



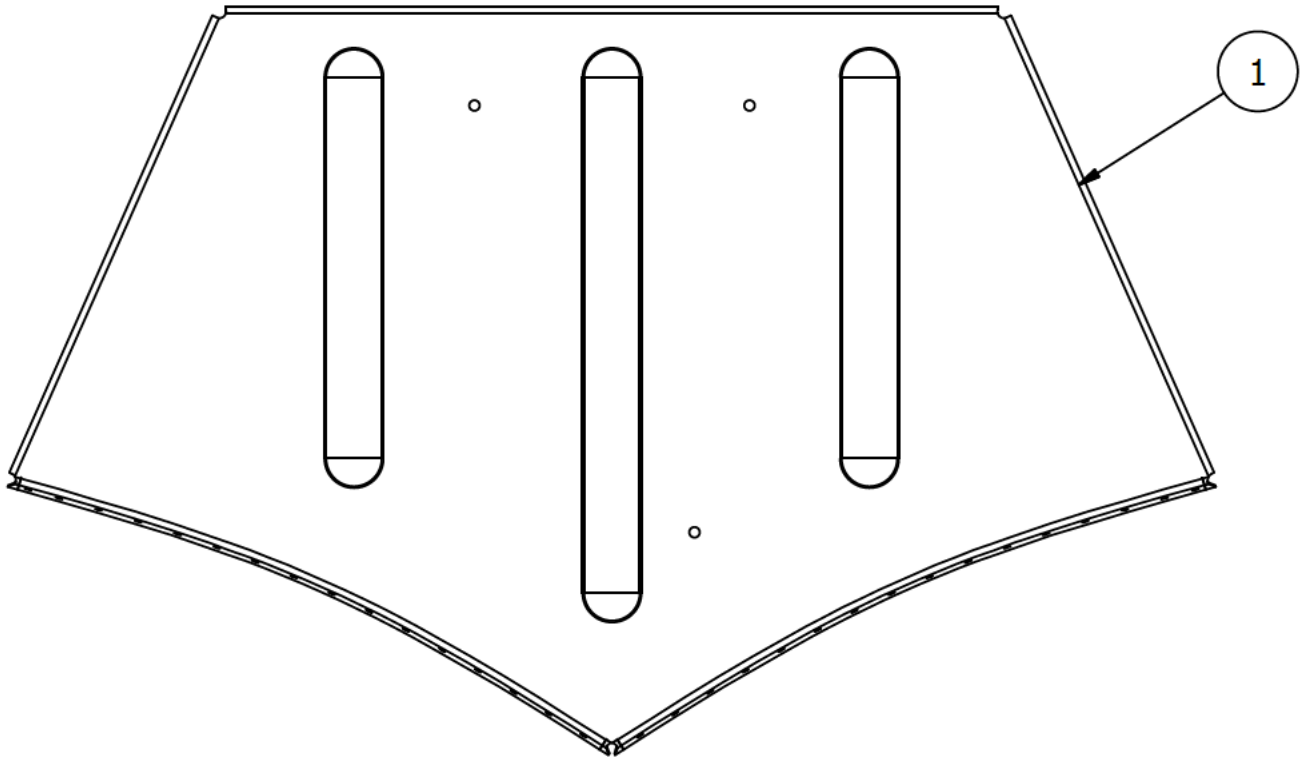
ITEM	QTY	PART NO.	PART DESCRIPTION
-	1	21S01000-322	ASSEMBLY, BULKHEAD 10, 2350 COMP
1	1	3A01158-003	CLAMP, PUMP OUT TUBE
2	1	21A01158-169	BULKHEAD #10 - FORMED
3	1	21A01163-066	SPREADER BAR PANEL
4	1	21A01326-011	ANGLE, SIDE BAR, BULKHEAD #10, LF
5	1	21A01326-012	ANGLE, SIDE BAR, BULKHEAD #10, RT

BULKHEAD #11



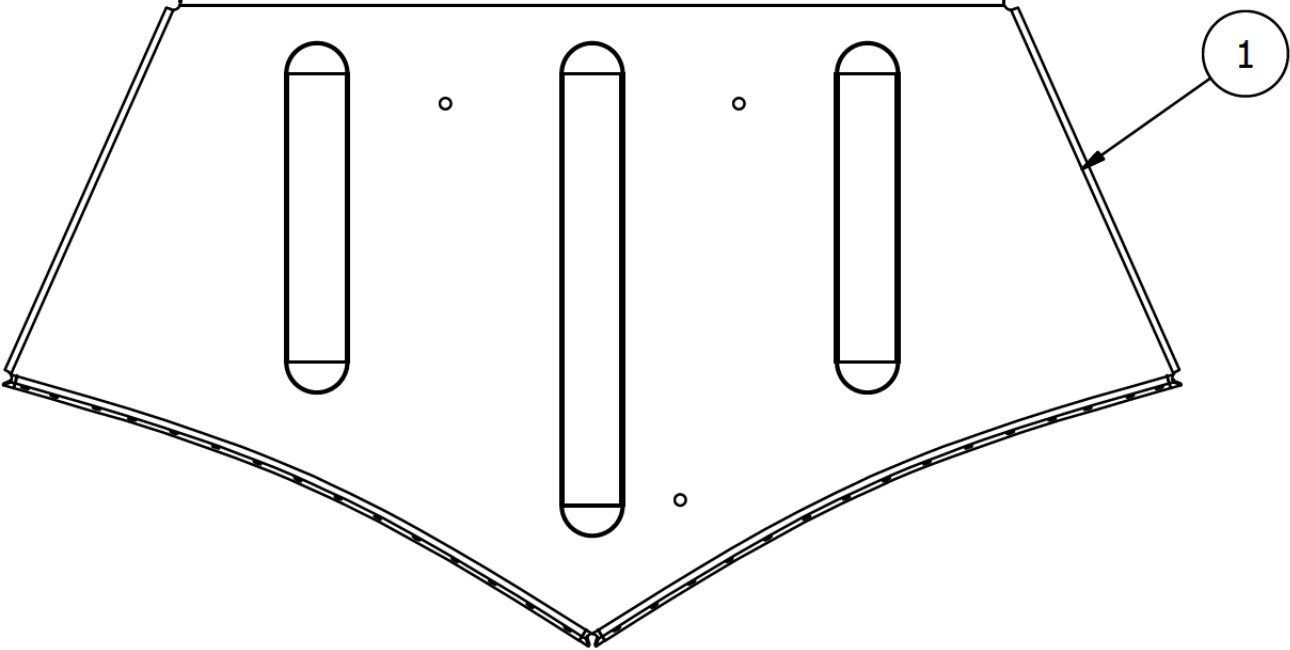
ITEM	QTY	PART NO.	PART DESCRIPTION
-	1	21A01000-395	BULKHEAD STN. #11 ASSY
1	1	21A01158-168	BULKHEAD #11 - FORMED

BULKHEAD #12



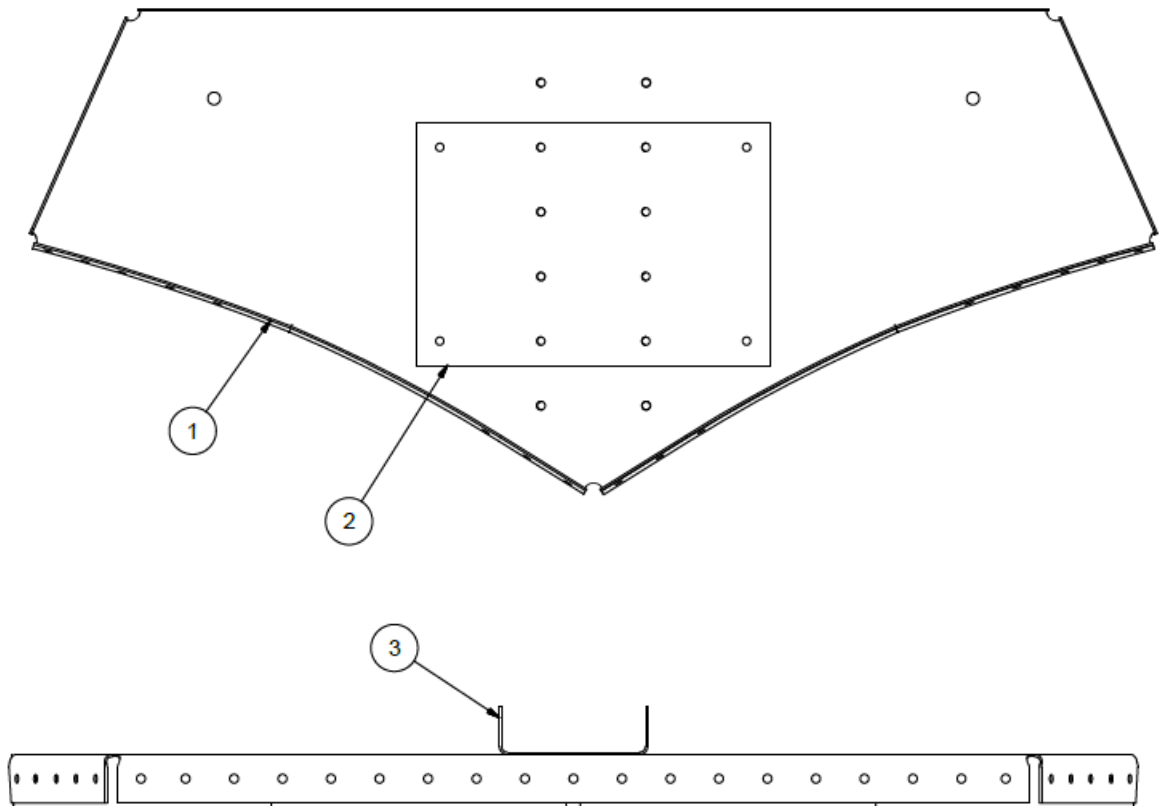
ITEM	QTY	PART NO.	PART DESCRIPTION
-	1	21A01000-396	ASSY, BULKHEAD #12
1	1	21A01158-167	BULKHEAD #12 - FORMED

BULKHEAD #13



ITEM	QTY	PART NO.	PART DESCRIPTION
-	1	21A01000-397	ASSEMBLY, BULKHEAD #13
1	1	21A01158-166	BULKHEAD #13 - FORMED

BULKHEAD #15



ITEM	QTY	PART NO.	PART DESCRIPTION
-	1	23A01000-298	BULKHEAD #15 ASSY
1	1	23A01158-198	BULKHEAD #15
2	1	21A08156-130	PLATE - WATER RUDDER STOP
3	1	1009187	CHANNEL - BULKHEAD #15

THIS PAGE INTENTIONALLY LEFT BLANK

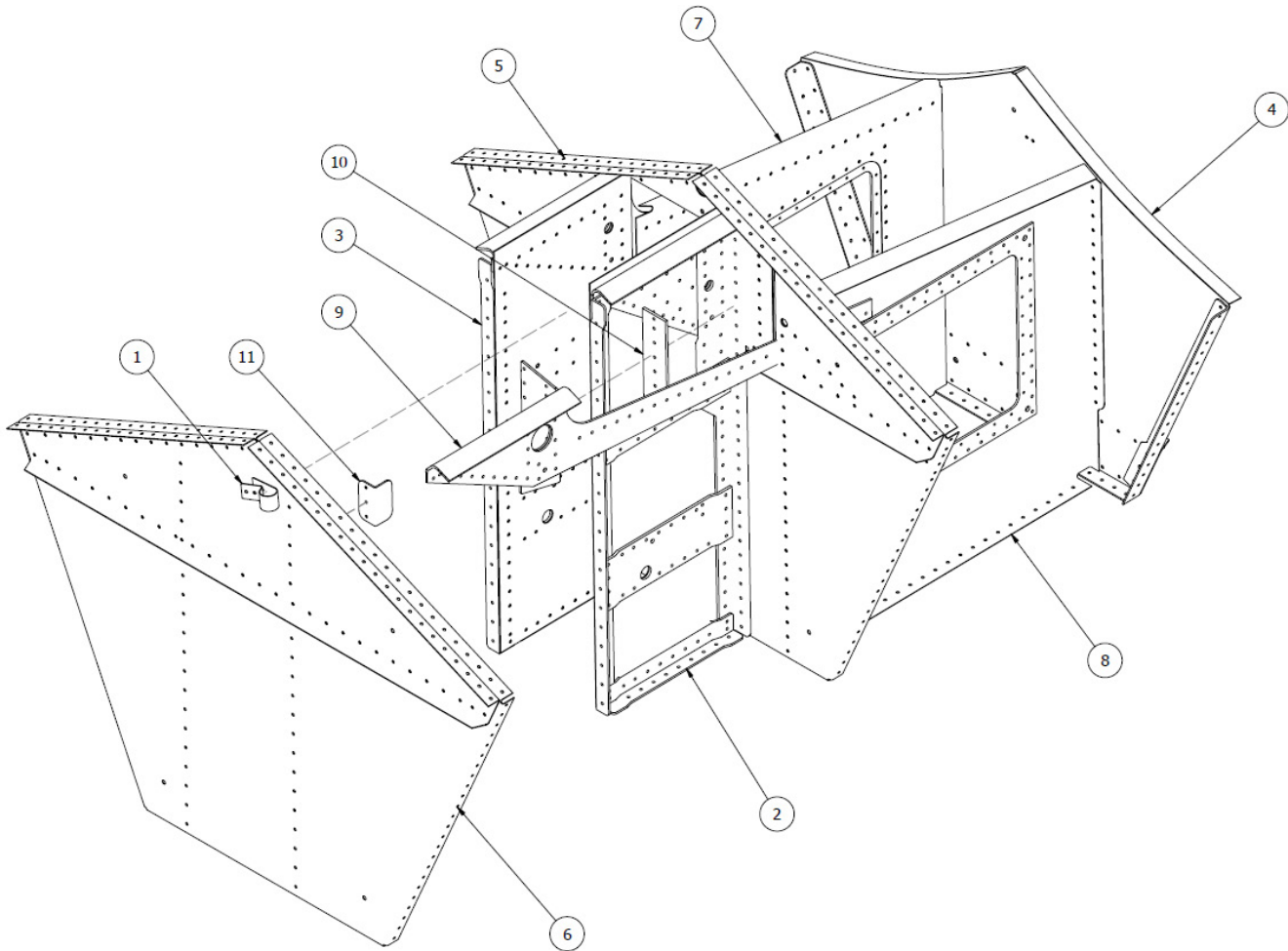
SECTION 2

WHEEL WELL ASSEMBLIES

CONTENTS

WHEEL WELL BUILD UP ASSEMBLY LEFT FLOAT	36
WHEEL WELL BUILD UP ASSEMBLY RIGHT FLOAT.....	38

WHEEL WELL BUILD UP ASSEMBLY LEFT FLOAT

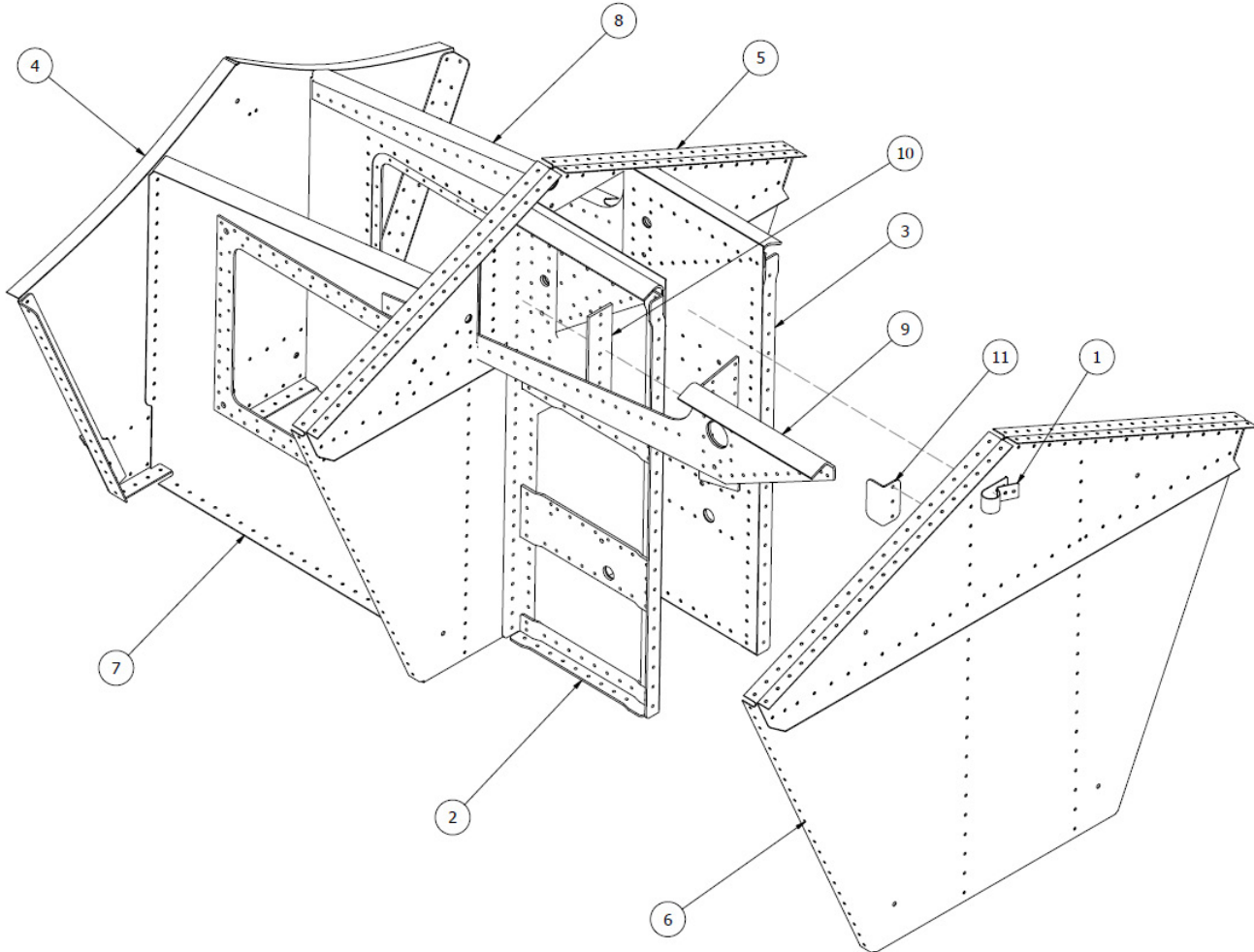


ITEM	QTY	PART NO.	PART DESCRIPTION
-	1	21A01000-293	WHEEL WELL BUILD UP ASSY. LT.
1	1	3A01158-003	CLAMP, PUMP OUT TUBE
2	1	21A01000-255	ASSEMBLY, WHEEL WELL LONG, LH
	1	21A01359-196	ANGLE - WHEEL WELL
	1	21A01359-198	ANGLE, WHEEL WELL, LONG, 2350 COMP
	1	21A01017-007	CARRY THRU STRAP - SHORT - LH
	1	21A01160-022	PLATE - SUPPORT WHEEL WELL WIDE - RH
	1	21A01160-020	PLATE - SUPPORT - WHEELWELL - RH
	1	21A01357-058	ANGLE, WIDE WHEEL WELL, LONG, RT, 2350
	1	21A01002-135	PANEL - WHEEL WELL LONG
3	1	21A01000-257	ASSY, WHEEL WELL. SHORT, LT, 2350
	1	1003343	DOUBLER, PROXIMITY SWITCH
	1	21A01002-133	PANEL, WHEEL WELL SHORT
	1	21A01017-005	CARRY THRU STRAP - LONG - SMALL HOLE - LH

PARTS MANUAL
2350 FLOATS ON CESSNA 172 &175 SERIES

ITEM	QTY	PART NO.	PART DESCRIPTION
	1	21A01160-021	PLATE - SUPPORT WHEEL WELL- LH
	1	21A01160-023	PLATE - SUPPORT - WHEEL WELL WIDE - LH
	1	21A01357-056	ANGLE, WIDE WHEEL WELL SHORT, RIGHT
	1	21A01359-195	ANGLE - WHEEL WELL
	1	21A01359-200	ANGLE, LONG WHEEL WELL SHORT
4	1	21A01000-262	ASSY, BLKHD 10, 2350 COMP
5	1	21A01000-263	ASSY, BULKHEAD #8, LH
6	1	21A01000-267	ASSEMBLY, BULKHEAD #7, LH
7	1	21A01000-289	ASSY, SIDE PANEL, WHEEL WELL, LT. 2350
	1	21A01158-185	PANEL - LH - WHEEL WELL
	1	13A01156-124	SUPPORT, INSPECTION COVER, WHEEL WELL, LARGE
8	1	21A01000-290	ASSY, SIDE PANEL, WHEEL WELL, RT. 2350
	1	21A01158-186	PANEL - RH - WHEEL WELL
	1	13A01156-124	SUPPORT, INSPECTION COVER, WHEEL WELL, LARGE
9	1	21A01000-291	ASSY, CARRY THRU STRAP, LT, 2350
	1	21A01017-002	CARRY THRU STRAP - LONG - LARGE HOLE - RH
	1	21A01156-132	ANGLE, CARRY THRU, RIGHT
10	1	21A01156-125	SPACER, CARRY THRU STRAP, 2350
11	1	21A01326-015	ANGLE, CARRY THRU

WHEEL WELL BUILD UP ASSEMBLY RIGHT FLOAT



ITEM	QTY	PART NO.	PART DESCRIPTION
-	1	21A01000-294	WHEEL WELL BUILD UP ASSY. RT.
1	1	3A01158-003	CLAMP, PUMP OUT TUBE
2	1	21A01000-254	ASSEMBLY, WHEEL WELL LONG, RH
	1	21A01002-135	PANEL - WHEEL WELL LONG
	1	21A01017-006	CARRY THRU STRAP - SHORT - RH
	1	21A01359-197	ANGLE, LONG WHEEL WELL, LONG
	1	21A01359-195	ANGLE - WHEEL WELL
	1	21A01160-023	PLATE - SUPPORT - WHEEL WELL WIDE - LH
	1	21A01160-021	PLATE - SUPPORT WHEEL WELL- LH
	1	21A01357-059	ANGLE, WIDE WHEEL WELL LONG, LT, 2350
3	1	21A01000-256	ASSY, WHEEL WELL PANEL, SHORT, RH
	1	1003343	DOUBLER, PROXIMITY SWITCH
	1	21A01002-133	PANEL, WHEEL WELL SHORT

PARTS MANUAL
2350 FLOATS ON CESSNA 172 & 175 SERIES

ITEM	QTY	PART NO.	PART DESCRIPTION
	1	21A01017-004	CARRY THRU STRAP - LONG - SMALL HOLE - RH
	1	21A01160-020	PLATE - SUPPORT - WHEEL WELL - RH
	1	21A01160-022	PLATE - SUPPORT WHEEL WELL WIDE - RH
	1	21A01357-057	ANGLE, WIDE WHEEL WELL SHORT, LEFT
	1	21A01359-196	ANGLE - WHEEL WELL
	1	21A01359-199	ANGLE, LONG WHEEL WELL SHORT
4	1	21A01000-262	ASSY, BLKHD 10, 2350 COMP
5	1	21A01000-264	ASSY, BULKHEAD #8, RH
6	1	21A01000-266	ASSEMBLY, BULKHEAD #7, RH
7	1	21A01000-289	ASSY, SIDE PANEL, WHEEL WELL, LT. 2350
	1	21A01158-185	PANEL - LH - WHEEL WELL
	1	13A01156-124	SUPPORT, INSPECTION COVER, WHEEL WELL, LARGE
8	1	21A01000-290	ASSY, SIDE PANEL, WHEEL WELL, RT. 2350
	1	21A01158-186	PANEL - RH - WHEEL WELL
	1	13A01156-124	SUPPORT, INSPECTION COVER, WHEEL WELL, LARGE
9	1	21A01000-292	ASSY, CARRY THRU STRAP, RT, 2350
	1	21A01017-003	CARRY THRU STRAP - LONG - LARGE HOLE - LH
	1	21A01156-131	ANGLE, CARRY THRU, LEFT
10	1	21A01156-125	SPACER, CARRY THRU STRAP, 2350
11	1	21A01326-015	ANGLE, CARRY THRU

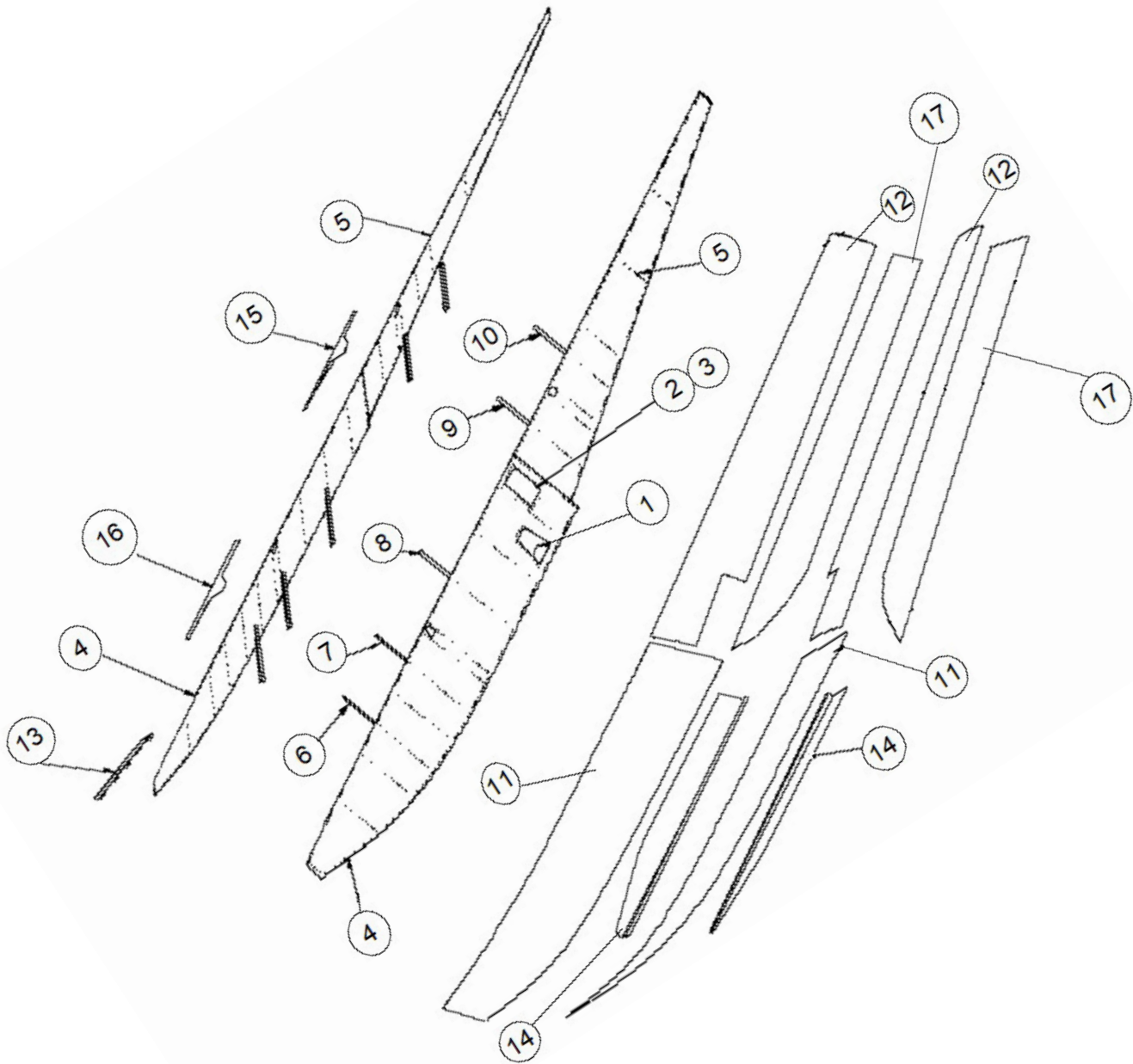
THIS PAGE INTENTIONALLY LEFT BLANK

SECTION 3 SKINS & STIFFENERS

CONTENTS

BOTTOM & SIDE SKINS & STIFFENERS OVERVIEW - AMPHIBIAN	42
BOTTOM & SIDE SKINS & STIFFENERS OVERVIEW - SEAPLANE.....	44
BOTTOM SKIN ASSEMBLIES	46
BOTTOM SKIN WITH STIFFENERS LEFT	47
BOTTOM SKIN WITH STIFFENERS RIGHT	48

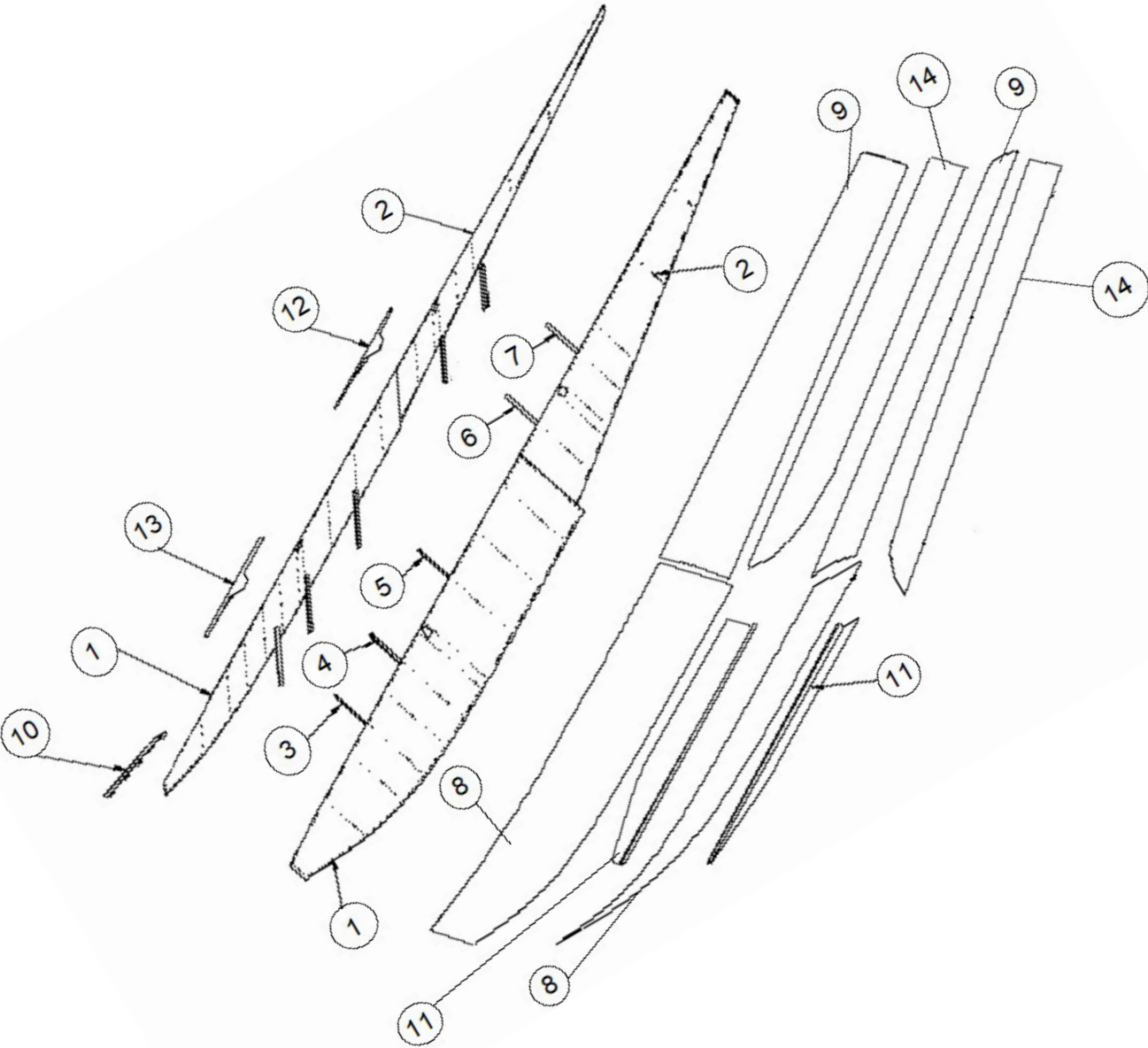
BOTTOM & SIDE SKINS & STIFFENERS OVERVIEW - AMPHIBIAN



PARTS MANUAL
2350 FLOATS ON CESSNA 172 & 175 SERIES

ITEM	QTY	PART NO.	PART DESCRIPTION
1	1	3A01000-005	STEP – BOARDING
2	2	21A01156-126	REINFORCEMENT – COVER
3	2	21A01000-427	COVER, SIDE ACCESS ASS'Y
	2	21A01004-101	COVER – INSP.
	56	AN526-632R6	SCREW – ATTACH
	2	21A01567-012	GASKET
4	1	23A01004-109	SIDE SKIN – STEP TO BOW L. OUTBR'D
	1	23A01004-108	SIDE SKIN – STEP TO BOW R. OUTBR'D
	1	23A01004-111	SIDE SKIN – STEP TO BOW L. INBR'D
	1	23A01004-110	SIDE SKIN – STEP TO BOW R. INBR'D
	1	3A01158-093	BRACKET (PADDLE)
	1	1002113	PADDLE STOP
	1	3A01503-001	CLIP (HOLDS PADDLE)
	1	0238-0035	PADDLES
5	1	23A01004-113	SIDE SKIN – STEP TO STERN L. OUTBR'D
	1	23A01004-112	SIDE SKIN – STEP TO STERN R. OUTBR'D
	1	23A01004-115	SIDE SKIN – STEP TO STERN L. INBR'D
	1	23A01004-114	SIDE SKIN – STEP TO STERN R. INBR'D
6	2	23A01340-114	STIFFENER – SIDE SKIN
7	2	23A01340-115	STIFFENER – SIDE SKIN
8	2	23A01340-116	STIFFENER – SIDE SKIN
9	2	23A01340-117	STIFFENER – SIDE SKIN
10	2	23A01340-118	STIFFENER – SIDE SKIN
11	1	1011500	ASSEMBLY, SKIN, BOTTOM, FWD, LEFT, 2350 (SEE DETAIL)
		1011501	ASSEMBLY, SKIN, BOTTOM, FWD, RIGHT, 2350 (SEE DETAIL)
12	1	23A01004-121	BOTTOM SKIN AFTERBODY L.
	1	23A01004-120	BOTTOM SKIN AFTERBODY R.
13	1	21A01000-274	ASS'Y SPRAY RAIL L.
	1	21A01000-275	ASS'Y SPRAY RAIL R.
14	1	21A01000-429	BOOSTER – SISTER KEEL L.
	1	21A01000-428	BOOSTER – SISTER KEEL R.
15	1	21A01162-033	DOUBLER – GUNWALL AFT L.
16	1	21A01162-031	DOUBLER – GUNWALL FWD L.
	1	21A01162-032	DOUBLER – GUNWALL FWD R.
	1	21A01162-034	DOUBLER – GUNWALL AFT R.
17	1	1009446	SCALLOP, FORMED WITH FOAM, RIGHT 2350 S/N 23177 OR LATER
	1	1009539	SCALLOP, FORMED WITH FOAM, LEFT 2350 S/N 23177 OR LATER

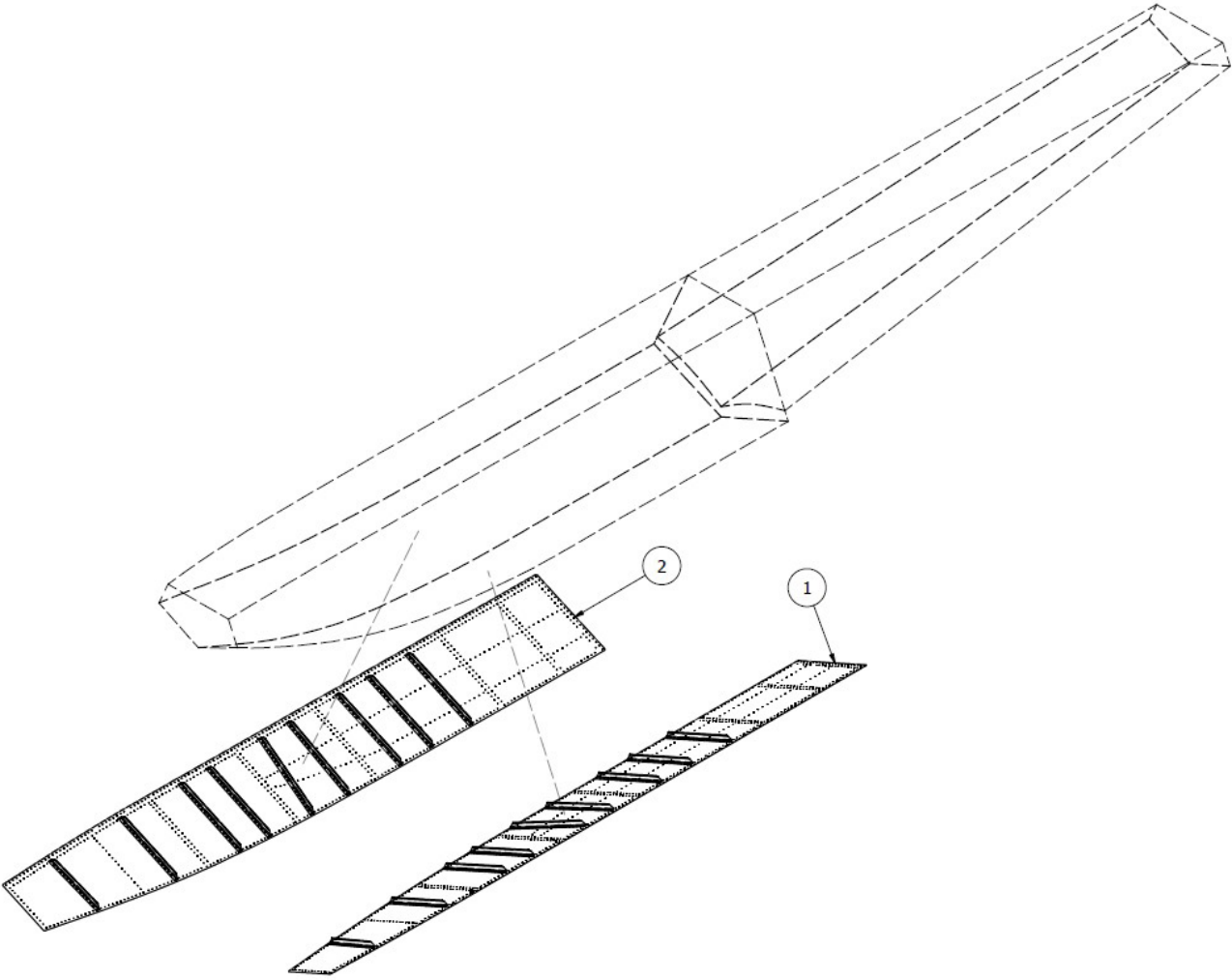
BOTTOM & SIDE SKINS & STIFFENERS OVERVIEW - SEAPLANE



PARTS MANUAL
2350 FLOATS ON CESSNA 172 & 175 SERIES

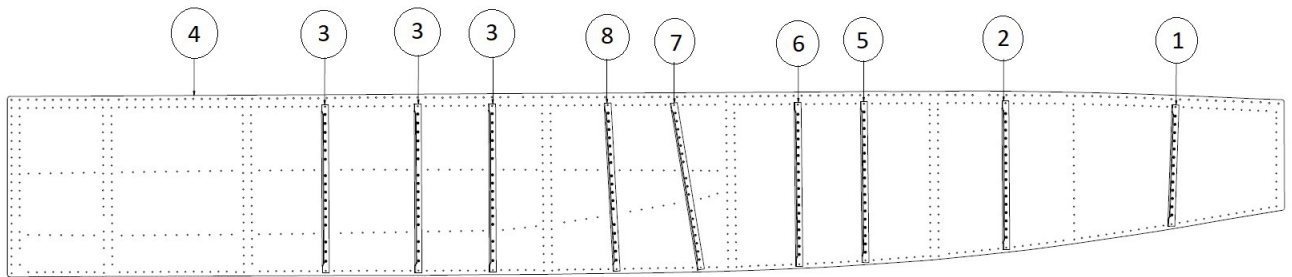
ITEM	QTY	PART NO.	PART DESCRIPTION
1	1	23S01004-123	SIDE SKIN – STEP TO BOW L. OUTBR'D
	1	23S01004-122	SIDE SKIN – STEP TO BOW R. OUTBR'D
	1	23S01004-125	SIDE SKIN – STEP TO BOW L. INBR'D
	1	23S01004-124	SIDE SKIN – STEP TO BOW R. INBR'D
	1	3A01158-093	BRACKET (PADDLE)
	1	1002113	PADDLE STOP
	1	3A01503-001	CLIP (HOLDS PADDLE)
	1	0238-0035	PADDLES
2	1	23A01004-113	SIDE SKIN – STEP TO STERN L. OUTBR'D
	1	23A01004-112	SIDE SKIN – STEP TO STERN R. OUTBR'D
	1	23A01004-115	SIDE SKIN – STEP TO STERN L. INBR'D
	1	23A01004-114	SIDE SKIN – STEP TO STERN R. INBR'D
3	2	23A01340-114	STIFFENER – SIDE SKIN
4	2	23A01340-115	STIFFENER – SIDE SKIN
5	2	23A01340-116	STIFFENER – SIDE SKIN
6	2	23A01340-117	STIFFENER – SIDE SKIN
7	2	23A01340-118	STIFFENER – SIDE SKIN
8	1	1011500	ASSEMBLY, SKIN, BOTTOM, FWD, LEFT, 2350 (SEE DETAIL)
		1011501	ASSEMBLY, SKIN, BOTTOM, FWD, RIGHT, 2350 (SEE DETAIL)
9	1	23S01004-133	BOTTOM SKIN AFTERBODY L.
	1	23S01004-132	BOTTOM SKIN AFTERBODY R.
10	1	21A01000-275	ASS'Y SPRAY RAIL L.
	1	21A01000-274	ASS'Y SPRAY RAIL R.
11	1	21A01000-429	BOOSTER – SISTER KEEL L.
	1	21A01000-428	BOOSTER – SISTER KEEL R.
12	1	21A01162-033	DOUBLER – GUNWALL AFT L.
	1	21A01162-034	DOUBLER – GUNWALL AFT R.
13	1	21A01162-031	DOUBLER – GUNWALL FWD L.
	1	21A01162-032	DOUBLER – GUNWALL FWD R.
14	1	1009539	SCALLOP, FORMED WITH FOAM, LEFT, 2350
	1	1009446	SCALLOP, FORMED WITH FOAM, RIGHT, 2350

BOTTOM SKIN ASSEMBLIES



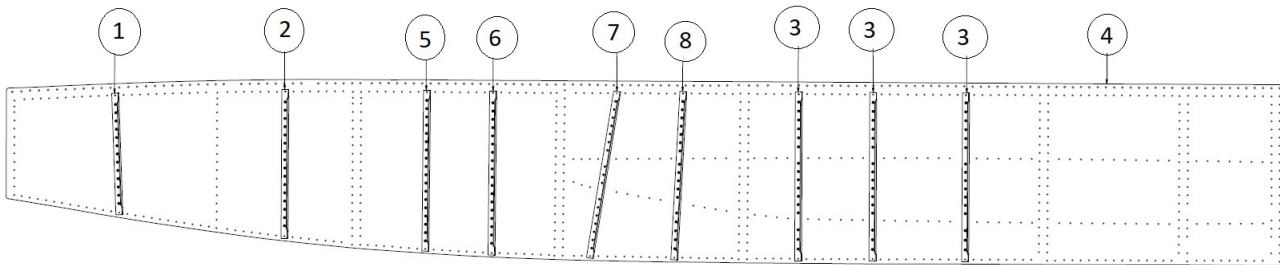
ITEM	QTY	PART NO.	PART DESCRIPTION
1	1	1011500	ASSEMBLY, SKIN, BOTTOM, FWD, LEFT, 2350 (SEE DETAIL)
2	1	1011501	ASSEMBLY, SKIN, BOTTOM, FWD, RIGHT, 2350 (SEE DETAIL)

BOTTOM SKIN WITH STIFFENERS LEFT



ITEM	QTY	PART NO.	PART DESCRIPTION
-	1	1011500	ASSEMBLY, SKIN, BOTTOM, FWD, LEFT, 2350
1	1	1011412	STIFFENER, BOTTOM SKIN, FWD
2	1	1011413	STIFFENER, BOTTOM SKIN, FWD
3	3	1011420	STIFFENER, BOTTOM SKIN, FWD
4	1	1011422	SKIN, BOTTOM, LH, FWD, 2350
5	1	1011424	STIFFENER, BOTTOM SKIN, FWD
6	1	1011425	STIFFENER, BOTTOM SKIN, FWD
7	1	1011426	STIFFENER, BOTTOM SKIN, FWD
8	1	1011428	STIFFENER, BOTTOM SKIN, FWD

BOTTOM SKIN WITH STIFFENERS RIGHT



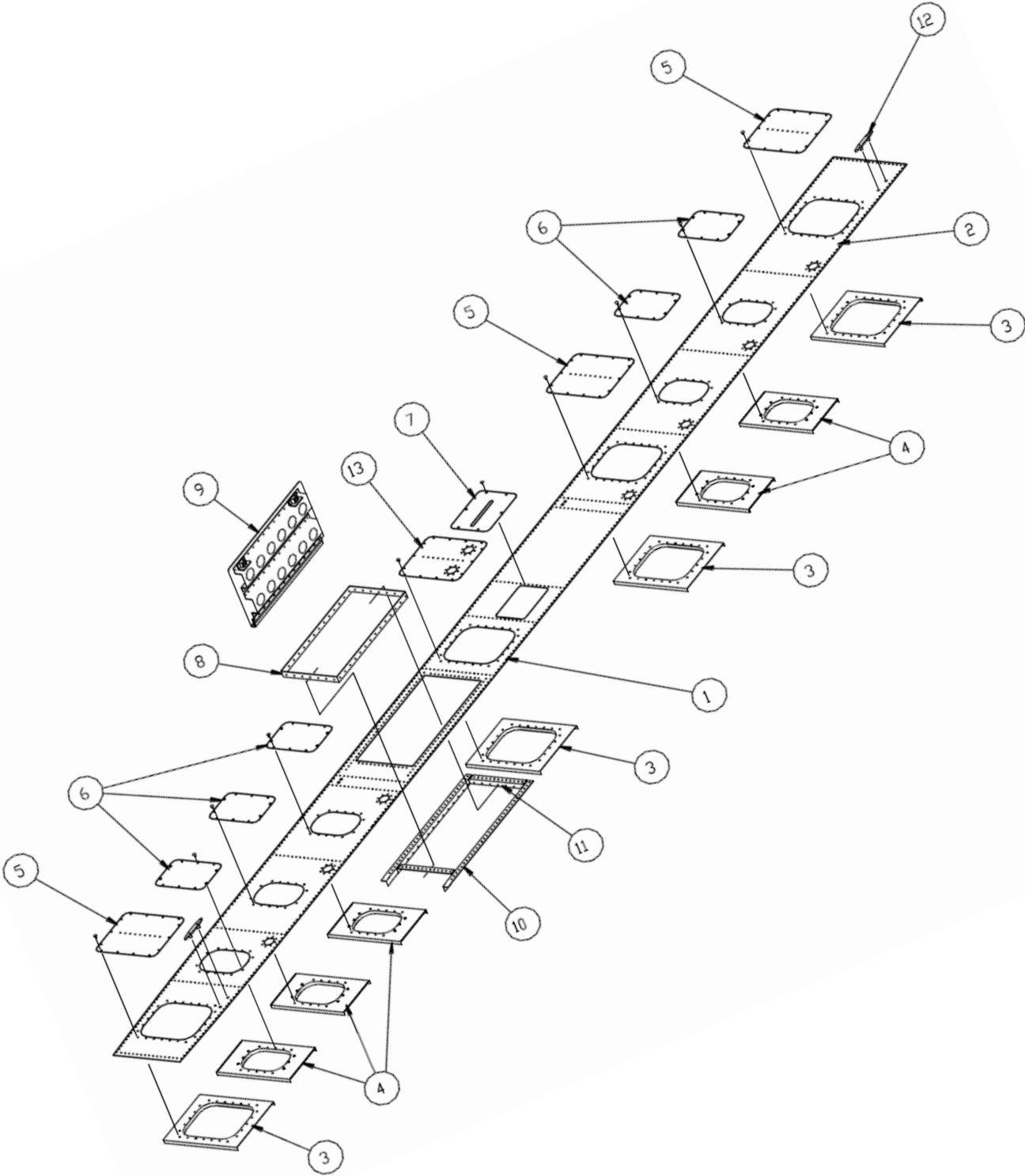
ITEM	QTY	PART NO.	PART DESCRIPTION
-	1	1011501	ASSEMBLY, SKIN, BOTTOM, FWD, RIGHT, 2350
1	1	1011412	STIFFENER, BOTTOM SKIN, FWD
2	1	1011413	STIFFENER, BOTTOM SKIN, FWD
3	3	1011421	STIFFENER, BOTTOM SKIN, FWD
4	1	1011423	SKIN, BOTTOM, RH, FWD, 2350
5	1	1011424	STIFFENER, BOTTOM SKIN, FWD
6	1	1011425	STIFFENER, BOTTOM SKIN, FWD
7	1	1011426	STIFFENER, BOTTOM SKIN, FWD
8	1	1011429	STIFFENER, BOTTOM SKIN, FWD

SECTION 4 TOP DECK ASSEMBLY

CONTENTS

TOP DECK - AMPHIBIAN	50
TOP DECK - SEAPLANE.....	53

TOP DECK - AMPHIBIAN

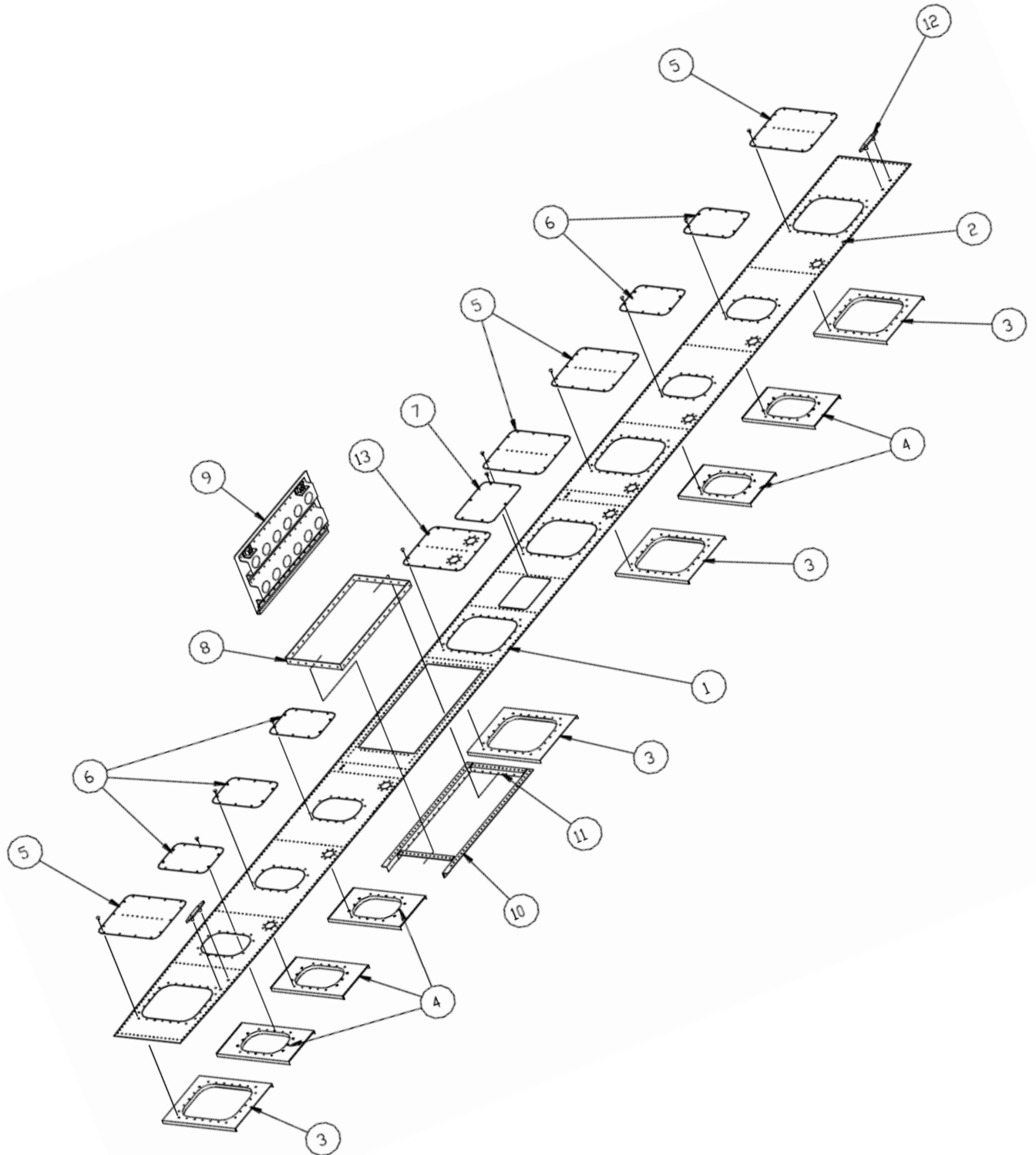


PARTS MANUAL
2350 FLOATS ON CESSNA 172 &175 SERIES

ITEM	QTY	PART NO.	PART DESCRIPTION
1	1	23A01004-117	SKIN – FWD SECTION L.
	1	23A01004-116	SKIN – FWD SECTION R.
2	1	23A01004-119	SKIN – AFT SECTION L.
	1	23A01004-118	SKIN – AFT SECTION R.
3	4	21A01002-130	SUPPORT – INSP. COVER – LARGE
	A/R	1002481	NUT – TINNERMAN & INSULATOR
4	5	21A01002-131	SUPPORT – INSP. COVER – SMALL
	A/R	1002481	NUT – TINNERMAN & INSULATOR
5	4/3	21A01000-258	INSP. COVER – LARGE – W/ ANGLE & GASKETS
	A/R	#8 X 5/8	SCREW – ATTACH
	4/3	1001437	SEAL – GASKET ONLY
	4/3	21A01567-001	SEAL – GASKET ONLY
6	5	21A01000-284	INSP. COVER – SMALL & GASKETS
	A/R	#8 X 5/8	SCREW – ATTACH
	5	1001728	SEAL – GASKET ONLY
	5	21A01567-002	SEAL – GASKET ONLY
7	1	21A01002-137	COVER – GEAR INDICATOR L.
	1	21A01002-138	COVER – GEAR INDICATOR R.
	1	10A3-6338-1	PLACARD – DOWN - LAND
	1	10A3-6338-2	PLACARD – UP - WATER
	4	2600-3	SCREW – CAM - LOK
	2	1126000-5	SCREW – CAM – LOK
	6	212-12	RECEPTACLE – CAM – LOK
8	1	21A01150-131	JAMB – BAGGAGE DOOR
	1	1002067	JAMB – HINGE SIDE
9	1	21A01000-268	ASSY – BAGGAGE DOOR
	1	21A01162-035	COVER - SKIN
	1	21A01741-004	HINGE
	1	1002186	HINGE PIN
	2	21A01010-012	STIFFENER - DOOR
	2	21A01004-106	STIFFENER ENDS
	2	3A01206-001	RETAINER - LOCK
	2	3A01273-004	LOCK PIN
	2	3A01702-004	CATCH – LATCH
	2	3A01525-003	LOCK SPRING
	2	1002663	RING – OPENING
	1	1001438	SEAL – GASKET (NOT SHOWN) BAGGAGE HUTCH
	12	01692-0410	POP RIVET
	2	10/32 X ½ SS	BOLT
10	1	21A01326-003	TOP RAIL – BAGGAGE OPENING L.
	1	21A01326-002	TOP RAIL – BAGGAGE OPENING R.

ITEM	QTY	PART NO.	PART DESCRIPTION
11	2	21A01326-004	JAMB – BAGGAGE DOOR
12	2	21A01203-001	CLEAT – TIE DOWN
	4	21A01280-004	BUSHING
	4	AN525-10R24	SCREW – ATTACH
13	1	21A01000-273	INSP. COVER – LARGE – W/ ANGLE (2 CUPS) & GASKETS
	A/R	#8 X 5/8	SCREW – ATTACH
	1	1001437	SEAL – GASKET ONLY

TOP DECK - SEAPLANE



ITEM	QTY	PART NO.	PART DESCRIPTION
1	1	23S01004-139	SKIN – FWD SECTION L.
	1	23S01004-138	SKIN – FWD SECTION R.
2	1	23S01004-141	SKIN – AFT SECTION L.
	1	23S01004-140	SKIN – AFT SECTION R.
3	5	21A01002-130	SUPPORT – INSP. COVER - LARGE
	A/R	1002481	NUT – TINNERMAN & INSULATOR
4	5	21A01002-131	SUPPORT – INSP. COVER – SMALL
	A/R	1002481	NUT – TINNERMAN & INSULATOR
5	5	21A01000-258	INSP. COVER – LARGE – W/ ANGLE & GASKETS
	A/R	#8 X 5/8	SCREW – ATTACH
	5	1001437	SEAL – GASKET ONLY
	5	21A01567-001	SEAL – GASKET
6	5	21A01000-284	INSP. COVER – SMALL & GASKETS
	A/R	#8 X 5/8	SCREW – ATTACH
	5	1001728	SEAL – GASKET ONLY
	5	21A01567-002	SEAL – GASKET
7	1	21S01000-399	COVER W/ GASKET
	1	21S01567-013	SEAL – GASKET
	A/R	#8 X 5/8	SCREW – ATTACH
	A/R	1002481	NUT – TINNERMAN & INSULATOR
	2	30S01326-035	STIFFENER – ANGLE
8	1	21A01150-131	JAMB – BAGGAGE DOOR
	1	1002067	JAMB – BAGGAGE DOOR, HINGE SIDE
9	1	21A01000-268	ASSY – BAGGAGE DOOR
	1	21A01162-035	COVER – SKIN
	1	21A01741-004	HINGE
	2	21A01010-012	STIFFENER – DOOR
	1	1002186	HINGE PIN
	2	21A01004-106	STIFFENER ENDS
	2	3A01206-004	RETAINER – LOCK
	2	3A01273-004	LOCK PIN
	2	3A01702-001	CATCH – LATCH
	2	3A01525-003	LOCK SPRING
	2	1002663	RING – OPENING
	1	1001438	SEAL – GASKET (NOT SHOWN)
	12	01692-0410	POP RIVET
	2	10/32 X ½ SS	BOLT
10	1	21A01326-003	TOP RAIL – BAGGAGE OPENING L.
	1	21A01326-002	TOP RAIL – BAGGAGE OPENING R.
11	1	21A01326-004	JAMB – BAGGAGE DOOR
12	2	21A01203-001	CLEAT – TIE DOWN

PARTS MANUAL
2350 FLOATS ON CESSNA 172 &175 SERIES

ITEM	QTY	PART NO.	PART DESCRIPTION
	4	21A01280-004	BUSHING
	4	AN525-10R24	SCREW – ATTACH
13	1	21A01000-273	INSP. COVER – LARGE – W/ ANGLE (2 CUPS) & GASKETS
	A/R	#8 X 5/8	SCREW – ATTACH
	1	1001437	SEAL – GASKET ONLY

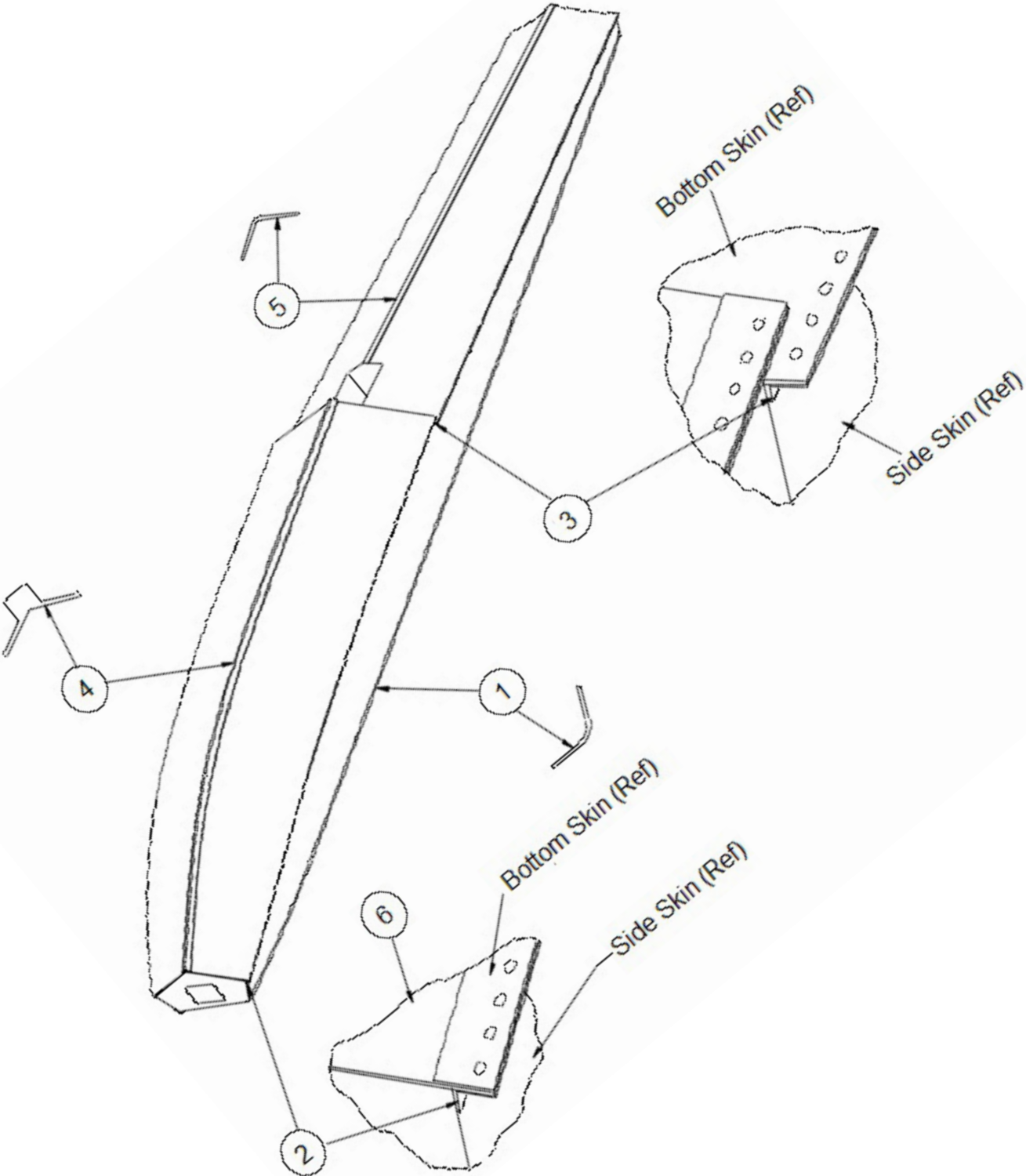
THIS PAGE INTENTIONALLY LEFT BLANK

SECTION 5 EXTRUSIONS

CONTENTS

HULL EXTRUSIONS - AMPHIBIAN	58
HULL EXTRUSIONS - SEAPLANE.....	60

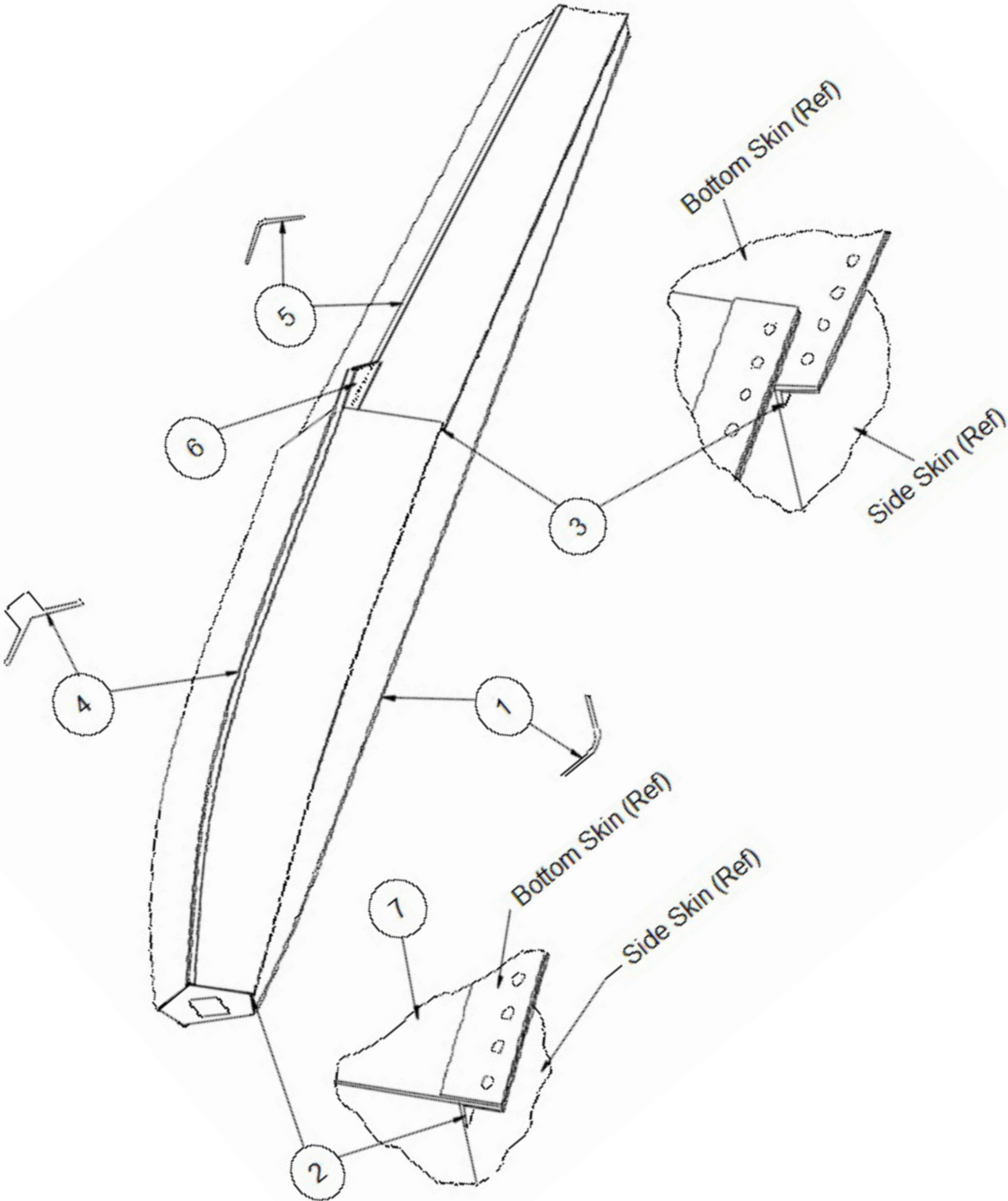
HULL EXTRUSIONS - AMPHIBIAN



PARTS MANUAL
2350 FLOATS ON CESSNA 172 &175 SERIES

ITEM	QTY	PART NO.	PART DESCRIPTION
1	1	23A01324-003	GUNWALL – L.
	1	23A01324-004	GUNWALL – R.
2	1	23A01340-013	CHINE - FWD L.
	1	23A01340-012	CHINE – FWD R.
3	1	23A01340-011	CHINE – AFTERBODY L.
	1	23A01340-010	CHINE – AFTERBODY R.
4	1	23A01321-002	KEEL - MAIN
5	1	23A01008-170	KEEL - AFTERBODY
6	1	23A01005-295	STRAP – CHINE L.
	1	23A01005-296	STRAP – CHINE R.

HULL EXTRUSIONS - SEAPLANE



PARTS MANUAL
2350 FLOATS ON CESSNA 172 &175 SERIES

ITEM	QTY	PART NO.	PART DESCRIPTION
1	1	23A01324-003	GUNWALL – L.
	1	23A01324-004	GUNWALL – R.
2	1	23A01340-013	CHINE - FWD L.
	1	23A01340-012	CHINE – FWD R.
3	1	23A01340-011	CHINE – AFTERBODY L.
	1	23A01340-010	CHINE – AFTERBODY R.
4	1	23S01321-003	KEEL - MAIN
5	1	23S01008-173	KEEL - AFTERBODY
6	1	21S01163-037	ANGLE SUPPORT – AFTERBODY L.
	1	21S01163-038	ANGLE SUPPORT – AFTERBODY R.
7	1	23A01005-295	STRAP - CHINE L.
	1	23A01005-296	STRAP – CHINE R.

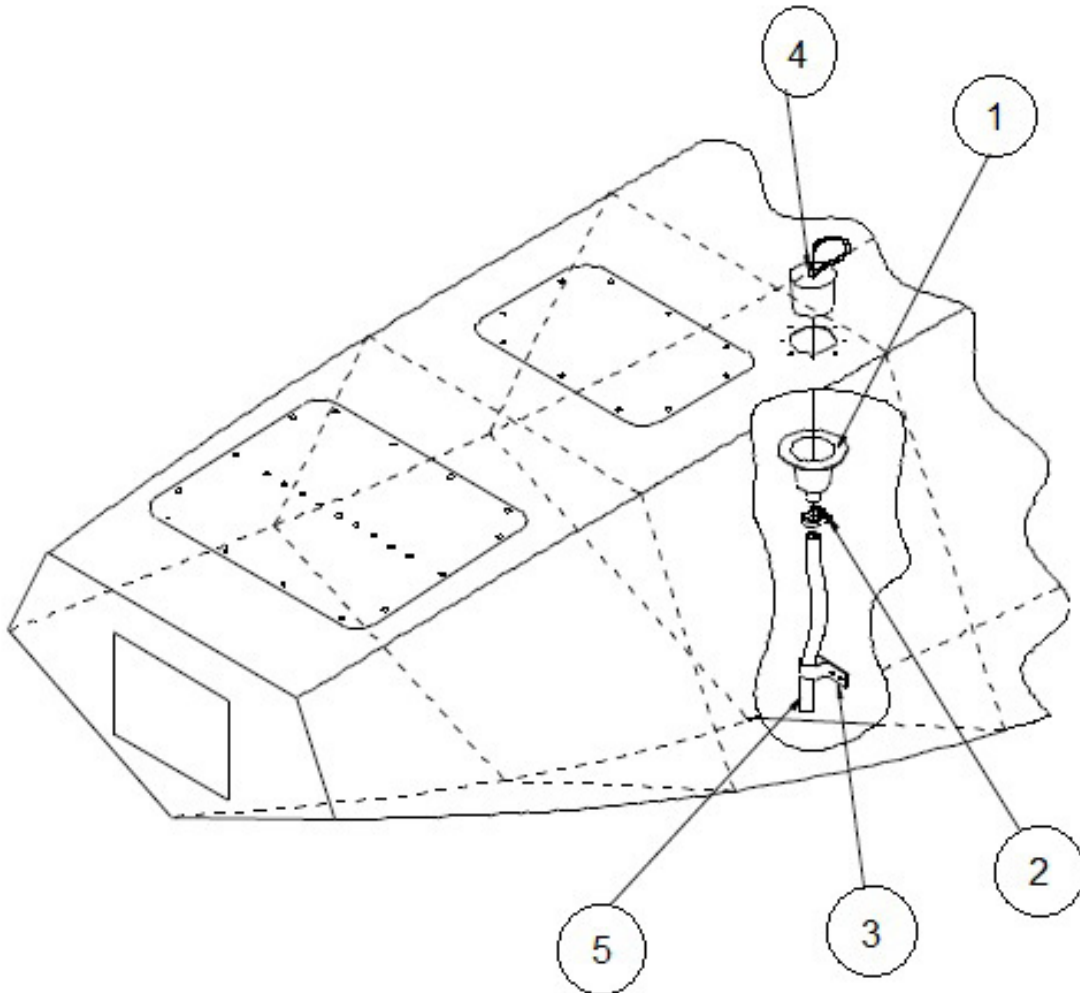
THIS PAGE INTENTIONALLY LEFT BLANK

SECTION 6 PUMPER TUBE INSTALLATION

CONTENTS

PUMPER TUBE.....	64
------------------	----

PUMPER TUBE



ITEM	QTY	PART NO.	PART DESCRIPTION
1	1	4A01749-001	CUP – PUMPOUT ALUM.
	A/R	MS20470AD4-4	RIVETS
2	1	57134	CLAMP – UPPER END
3	1	3A01158-003	CLAMP – LOWER END
4	1	2111	STOPPER – PUMPER TUBE
5	1	21A01618-062	PUMPOUT TUBE 10.5 IN.
	1	21A01618-061	PUMPOUT TUBE 12.5 IN.
	1	21A01618-060	PUMPOUT TUBE 15.0 IN.
	1	21A01618-059	PUMPOUT TUBE 17.5 IN.
	1	21A01618-058	PUMPOUT TUBE 23.0 IN.
	1	21A01618-056	PUMPOUT TUBE 21.5 IN.
	1	21A01618-055	PUMPOUT TUBE 18.5 IN.

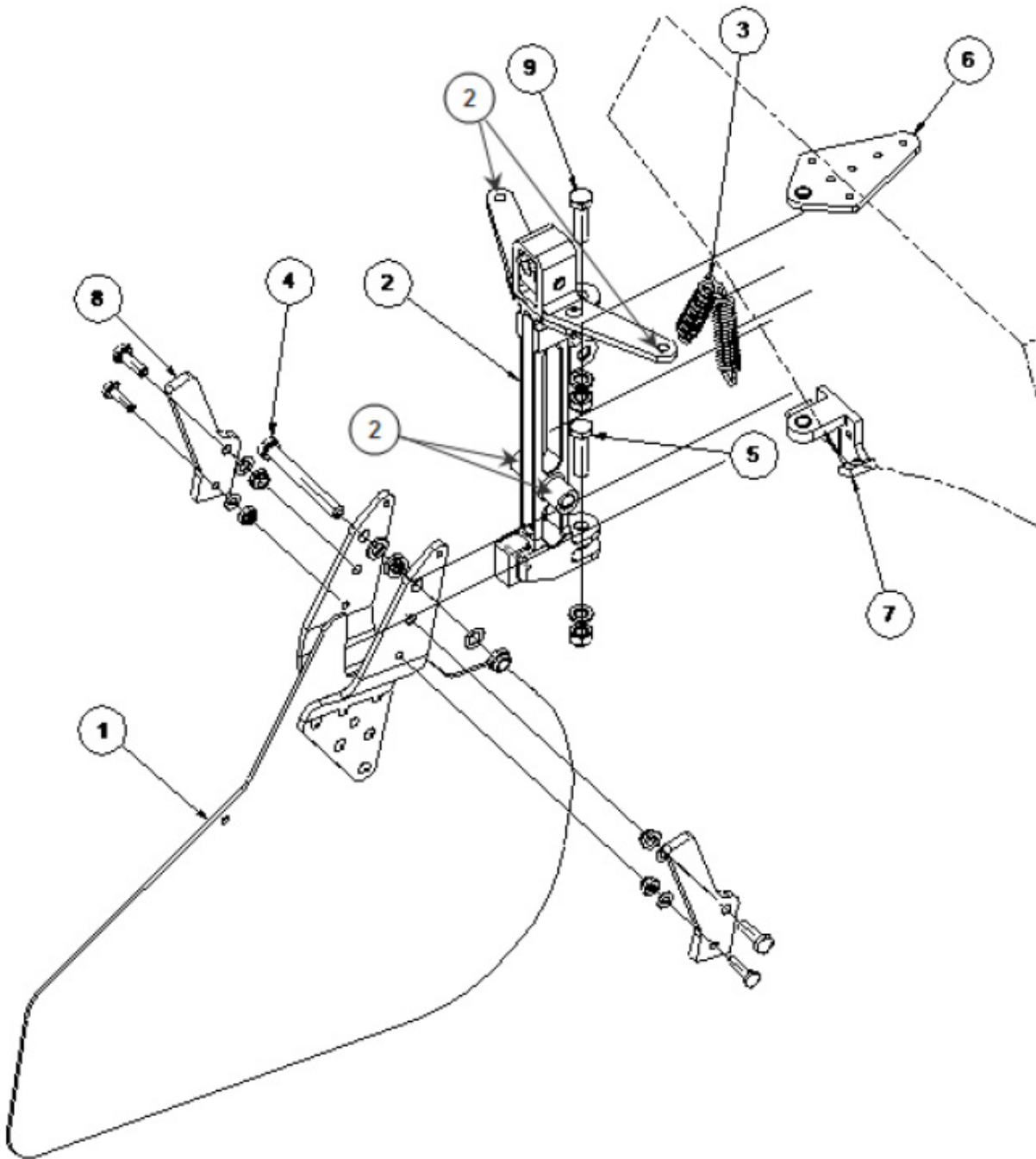
SECTION 7

WATER RUDDER AND STEERING & RETRACT SYSTEM

CONTENTS

WATER RUDDER INSTALLATION	66
RETRACT HANDLE ASSEMBLY	68
STEERING AND RETRACT SYSTEM	70

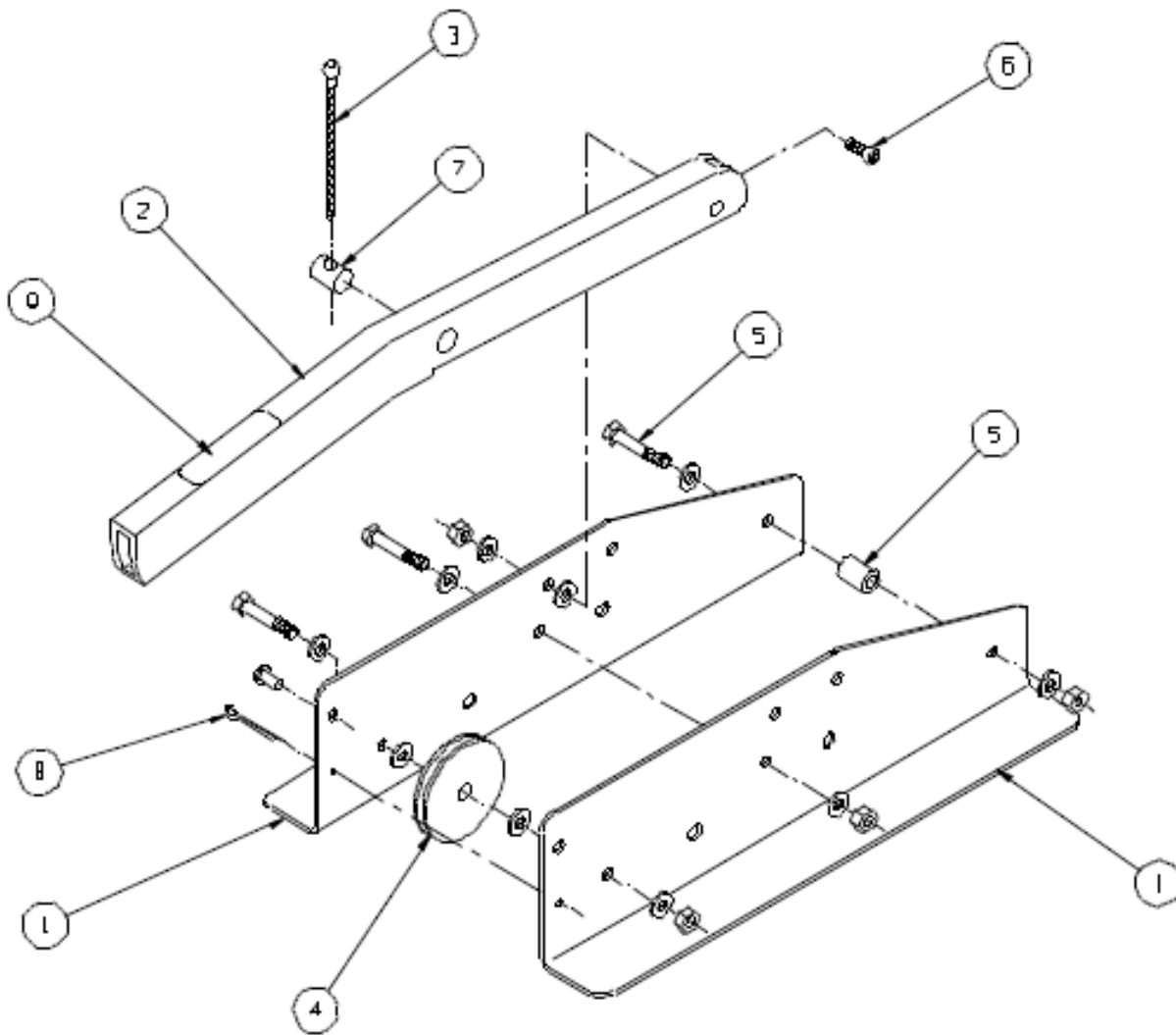
WATER RUDDER INSTALLATION



PARTS MANUAL
2350 FLOATS ON CESSNA 172 & 175 SERIES

ITEM	QTY	PART NO.	PART DESCRIPTION
1	1	21A08000-123	ASS'Y., BLADE
	1	1002649	WATER RUDDER BLADE 2350
	1	21A08019-001	ARM, L.
	1	21A08019-002	ARM, R.
2	1	1003858	WATER RUDDER POST WITH BELLCRANK ASSEMBLY
	1	1003854	WATER RUDDER POST ASSEMBLY
	1	1003267	WATER RUDDER POST
	2	05DU06	BUSHING, SELF LUBRICATING, .313 ID X .375 LONG
	1	1003853	BELLCRANK, WATER RUDDER POST ASSEMBLY
	1	1003274	BELLCRANK, WATER RUDDER POST
	2	03DU04	SELF LUBRICATING BUSHINGS
	1	21A08648-002	BUMPER, DOWN STOP
	1	1001457	ROLL PIN
	1	21A8602-009	GUIDE, RETRACT
	1	5/16 X 1 1/2 INCHES	PIN ATTACH
3	2	21A08525-006	SPRING
4	1	AN5-25A	BOLT, 5/16-24, 2.1875 GRIP, UNDRILLED, STEEL
	3	NAS1149D0516J	WASHER, 0.328 ID, 0.016 THK, ALUMINUM
	1	NAS 1149D0563J	WASHER, 0.328 ID, 0.063 THK, ALUMINUM
	1	MS21083N5	NUT, LOCKING, LOW HEIGHT, 5/16-24 UNF
5	1	AN5-11A	BOLT, 5/16-24, 0.6875 GRIP, UNDRILLED, STEEL
	A/R	NAS1149D0563J	WASHER, 0.328 ID, 0.063 THK, ALUMINUM
	1	MS21044N5	NUT, LOCKING, REGULAR HEIGHT, 5/16-24 UNF
6	1	21A01000-299	ASS'Y., TOP BEARING
	1	21A01019-003	BRACKET, TOP RUDDER BEARING
	1	21A01705-003	BUSHING, TOP RUDDER PLATE
7	1	21A08000-157	ASS'Y., LOWER BEARING
	1	21A08318-002	BRACKET - WATER RUDDER, LOWER PIVOT
	1	05DU06	BUSHING, SELF LUBRICATING, .313 ID X .375 LONG
8	2	21A08154-009	STOP, WATER RUDDER, STEERING
	2	AN4-6A	BOLT, 1/4-28, 0.3125 GRIP, UNDRILLED, STEEL
	2	NAS1149D0416J	WASHER, 0.265 ID, 0.016 THK, ALUMINUM
	2	MS21083N4	NUT, LOCKING, LOW HEIGHT, 1/4-28 UNF
	2	AN3-6A	BOLT, 10-32, 0.375 GRIP, UNDRILLED, STEEL
	2	NAS1149D0316J	WASHER, 0.203 ID, 0.016 THK, ALUMINUM
	2	MS21044N3	NUT, LOCKING, REGULAR HEIGHT, 10-32 UNF
9	1	AN5-12A	BOLT SIZE 5/16-24, LNGTH +/- 1/64 - 1-11/32, GRIP LNGTH 13/16
	A/R	NAS1149D0563J	WASHER, 0.328 ID, 0.063 THK, ALUMINUM
	1	MS21044N5	NUT, LOCKING, REGULAR HEIGHT, 5/16-24 UNF

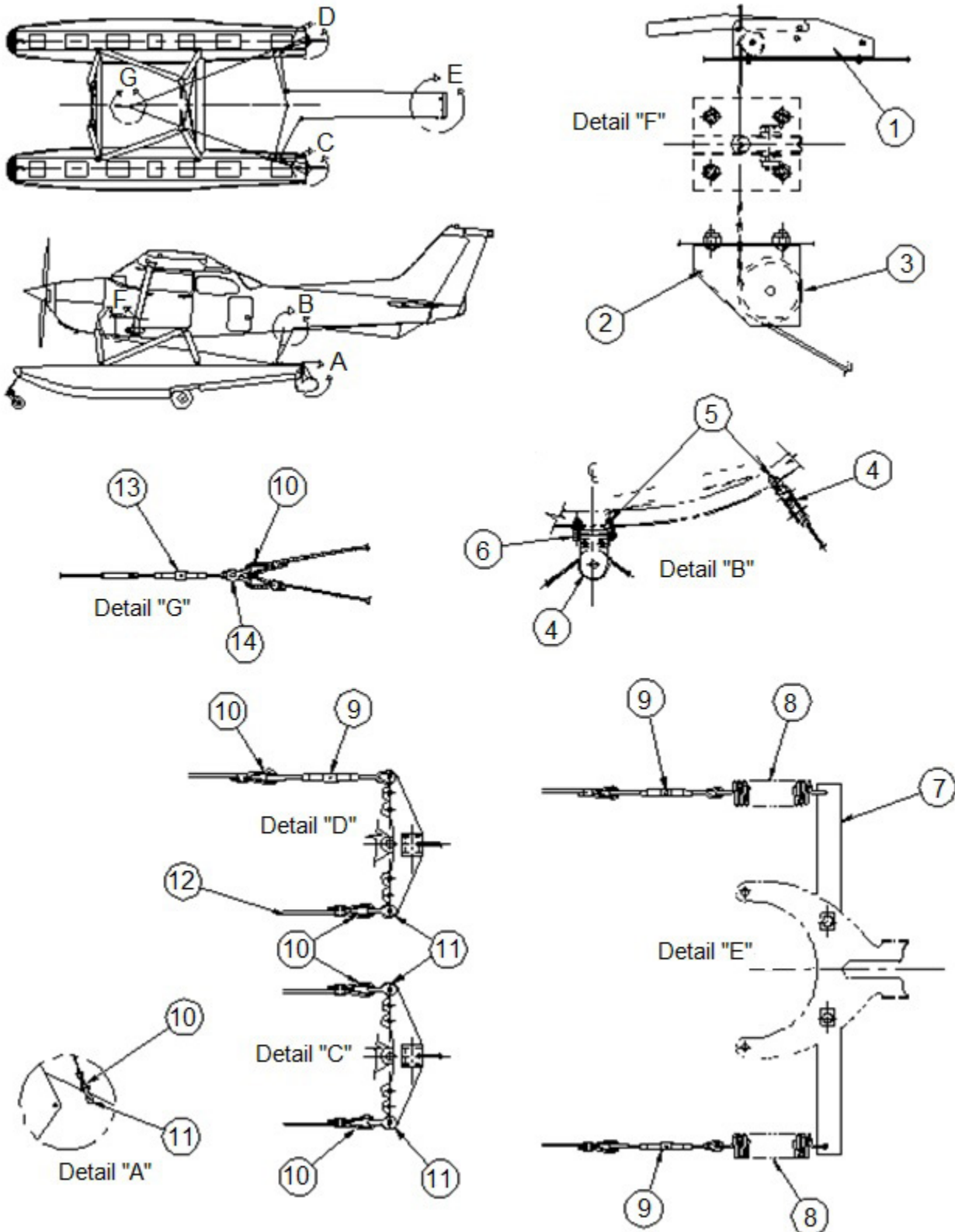
RETRACT HANDLE ASSEMBLY



PARTS MANUAL
2350 FLOATS ON CESSNA 172 &175 SERIES

ITEM	QTY	PART NO.	PART DESCRIPTION
1	1	21A08000-128	ASS'Y – RETRACT HANDLE
	1	3A08003-015	BRACKET SIDE L.
	1	3A08003-016	BRACKET SIDE R.
2	1	3A08414-001	HANDLE
3	1	21A08000-137	CABLE ASS'Y
4	1	MS20219-2	PULLEY
	1	AN4-10A	BOLT, 1/4-28, 0.5625 GRIP, UNDRILLED, STEEL
	2	NAS1149F0463P	WASHER, 0.265 ID, 0.063 THK, STEEL
	1	NAS679A4W	KAYNAR NUT
5	2	AN3-10A	BOLT, 10-32, 0.625 GRIP, UNDRILLED, STEEL
	2	3A08613-001	PLASTIC TUBE
	8	NAS1149F0316P	WASHER, I.D. 13/64", O.D. 7/16"
	4	NAS679A3W	KAYNAR NUT
6	2	3A08702-006	PIN PIVOT
	2	NAS1149F0432P	WASHER, 0.265 ID, 0.032 THK, STEEL
	2	NAS679A3W	KAYNAR NUT
7	1	4A08506-002	SWIVEL
8	1	MS24665-285	PIN – COTTER
9	1	3A3-1115-2	PLACARD – DOWN
	1	3A3-1115-3	PLACARD – UP
	1	3A3-1115-1	PLACARD – WATER RUDDER CONTROL

STEERING AND RETRACT SYSTEM



PARTS MANUAL
2350 FLOATS ON CESSNA 172 &175 SERIES

ITEM	QTY	PART NO.	PART DESCRIPTION
1	1	21A08000-128	ASS'Y – RETRACT HANDLE (SEE DETAIL)
	4	AN526-1032R8	SCREW - ATTACH
	4	NAS1149D0363J	WASHER, 0.203 ID, 0.063 THK, ALUMINUM
	4	MS21044N3	NUT, LOCKING, REGULAR HEIGHT, 10-32 UNF
2	1	3A08151-046	PULLEY BRACKET
	4	AN526-1032R8	SCREW – ATTACH
	4	NAS1149D0316J	WASHER, 0.203 ID, 0.016 THK, ALUMINUM
	4	MS21044N3	NUT, LOCKING, REGULAR HEIGHT, 10-32 UNF
3	1	MS20219-2	PULLEY
	1	AN4-7A	BOLT, 1/4-28, 0.4375 GRIP, UNDRILLED, STEEL
	2	NAS1149D0463J	WASHER, 0.265 ID, 0.063 THK, ALUMINUM
	1	MS21044N4	NUT
4	3	21A08000-125	ASS'Y – PULLEY BRACKET
	1	21A08008-150	BRACKET
	1	21A08230-002	SPACER - BLOCK
	1	MS20219-2	PULLEY
	1	AN4-7A	BOLT, 1/4-28, 0.4375 GRIP, UNDRILLED, STEEL
	1	NAS1149D0416J	WASHER, 0.265 ID, 0.016 THK, ALUMINUM
	1	MS21083N4	NUT, LOCKING, LOW HEIGHT, 1/4-28 UNF
	1	NAS1149D0463J	WASHER, 0.265 ID, 0.063 THK, ALUMINUM
5	6	AN42B4A	EYE BOLT
	6	NAS1149D0363J	WASHER, 0.203 ID, 0.063 THK, ALUMINUM
	6	MS21044N3	NUT, LOCKING, REGULAR HEIGHT, 10-32 UNF
6	3	AN3-17A	BOLT
	3	NAS1149D0363J	WASHER, 0.203 ID, 0.063 THK, ALUMINUM
	3	MS21044N3	NUT, LOCKING, REGULAR HEIGHT, 10-32 UNF
7	1	21A08359-201	EXTENSION – RUDDER HORN
	2	AN3-6A	BOLT – ATTACH
	2	NAS1149D0363J	WASHER, 0.203 ID, 0.063 THK, ALUMINUM
	2	MS21044N3	NUT, LOCKING, REGULAR HEIGHT, 10-32 UNF
8	2	21A08525-005	SPRING
9	3	MS21251B3S	TURNBUCKLE – BARREL
	3	MS21252-3RS	FORK – TERMINAL
	3	MS20392-2-1	PIN ATTACH
	3	MS24665-132	PIN – COTTER
	3	NAS1149D0316J	WASHER, 0.203 ID, 0.016 THK, ALUMINUM
10	10	AN100-3	THIMBLE – CABLE
	10	18-2-G	NICOPRESS – CLAMP
11	5	MS20115-3	SHACKLE
	5	MS20392-2-11	PIN – ATTACH
	5	MS24665-132	PIN – COTTER

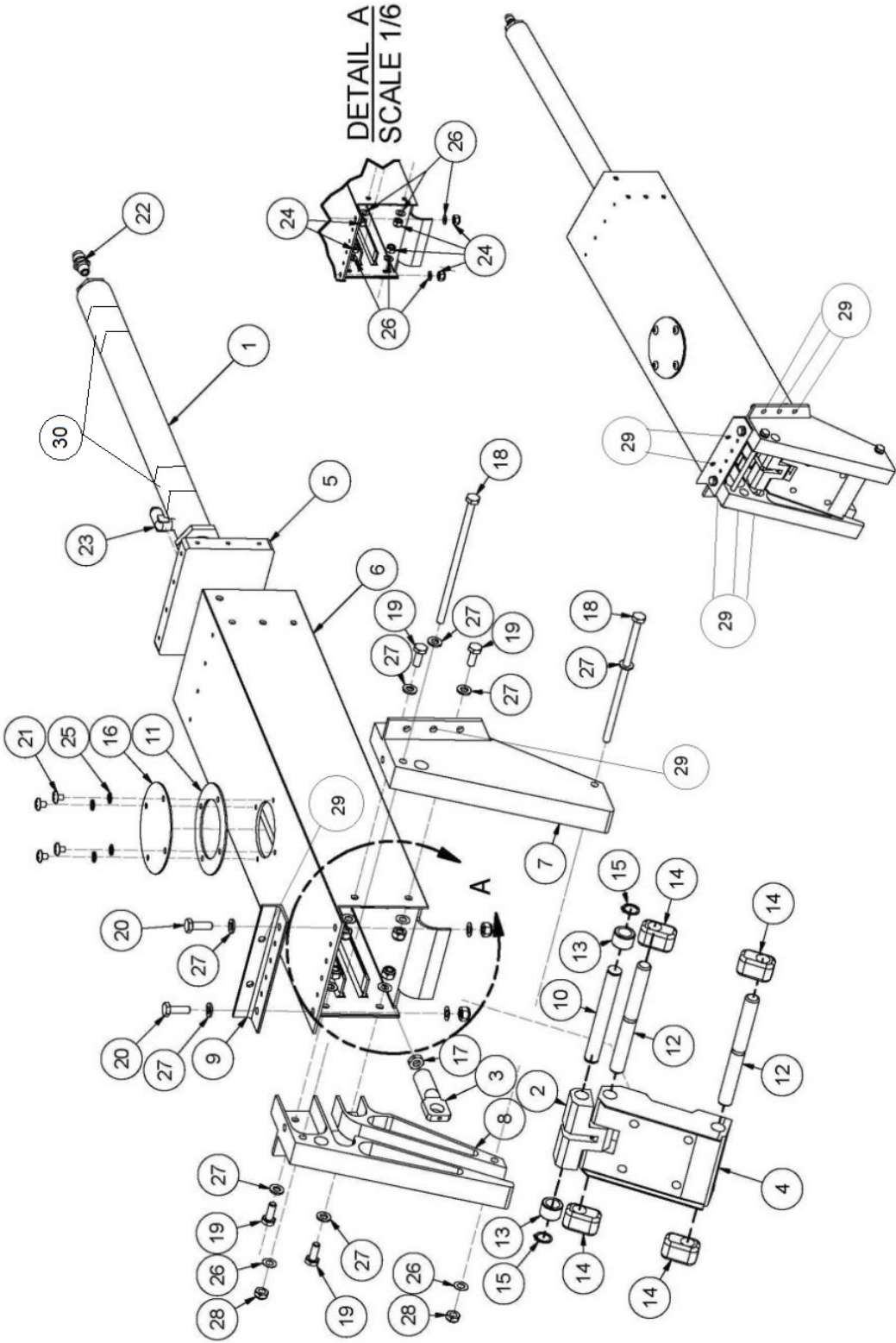
ITEM	QTY	PART NO.	PART DESCRIPTION
12	A/R	3/32 7X 7 S.S.	CABLE (REQUEST LENGTH)
13	1	MS21251B3S	BARREL
	1	MS21252-3RS	FORK
14	2	MS20115-3	SHACKLE
	1	MS20392-2-19	PIN – CLEVIS

SECTION 8 LANDING GEAR

CONTENTS

NOSE GEAR RETRACTION ASSEMBLY	74
NOSE GEAR LOWER ASSEMBLY	76
NOSE WHEEL ASSEMBLY (GROVE ONLY)	78
NOSE WHEEL ASSEMBLY (PARKER ONLY)	80
MAIN GEAR RETRACTION INSTALLATION.....	82
MAIN GEAR WHEEL (GROVE / WIPAIRE ASSEMBLY).....	85
MAIN GEAR WHEEL (CLEVELAND / PARKER ASSEMBLY)	87

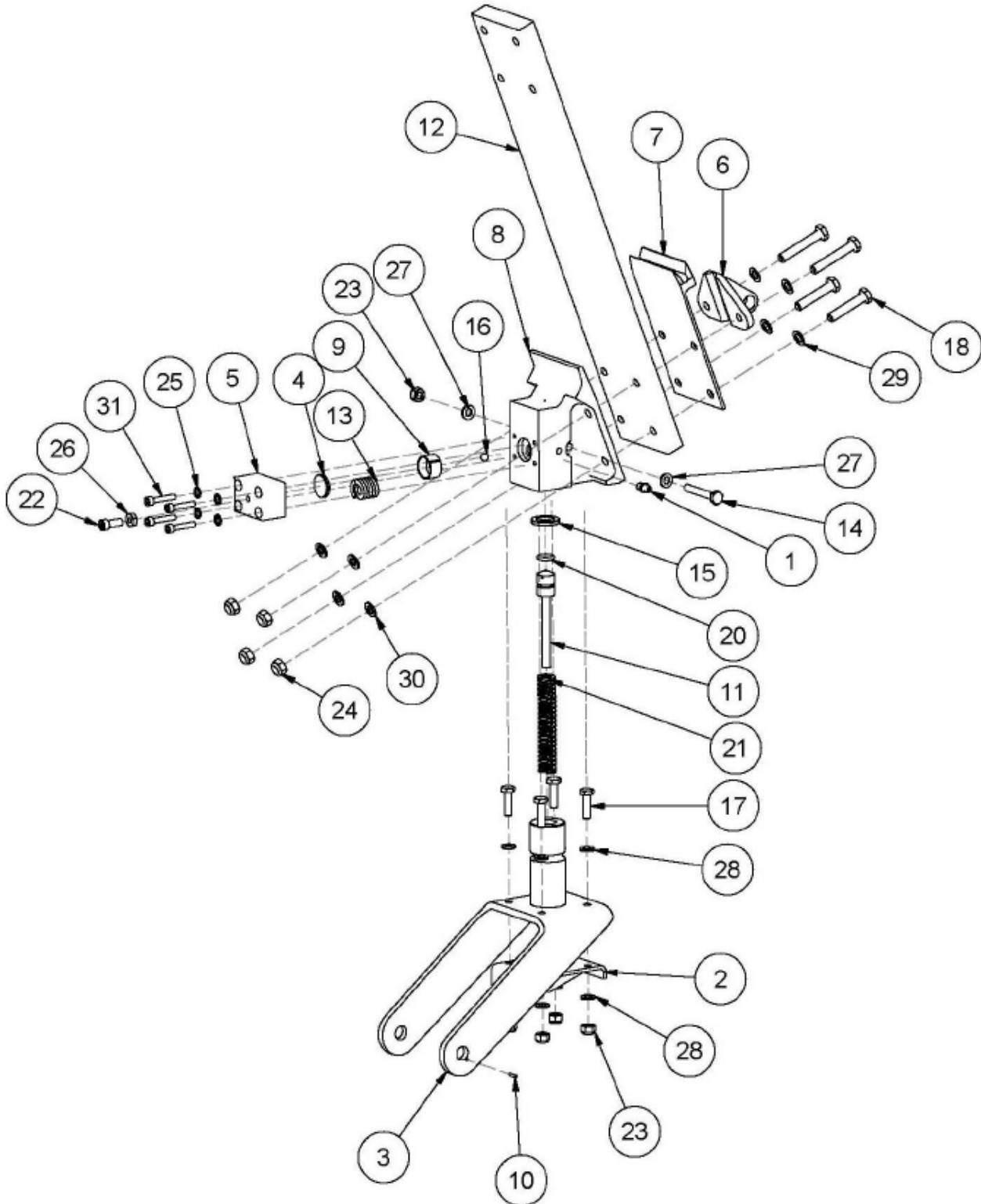
NOSE GEAR RETRACTION ASSEMBLY



PARTS MANUAL
2350 FLOATS ON CESSNA 172 &175 SERIES

ITEM	QTY	PART NO.	PART DESCRIPTION
1	1	1002571	CYLINDER, NOSE GEAR, 2350
2	1	21A07032-005	LINK - TROLLEY, NOSE GEAR
3	1	21A07094-002	END - ROD, CYLINDER, NOSE GEAR
4	1	21A07187-009	TROLLEY - NOSE GEAR
5	1	21A07237-002	END CAP, NOSE BOX
6	1	21A07323-001	BOX, NOSE GEAR
7	1	21A07349-003	END, NOSE GEAR TRACK LEFT
8	1	21A07349-004	END, NOSE GEAR TRACK, RIGHT
9	1	21A07359-194	EXTRUSION, ANGLE
10	1	21A07509-007	AXLE, TROLLEY LINK
11	1	30A07567-011	GASKET, COVER, NOSE BOX
12	2	34A07509-008	AXLE, TROLLEY
13	2	3A07530-001	BEARING - TROLLEY, NOSE GEAR
14	4	3A07604-001	BLOCK, SLIDE, TROLLEY, NOSE GEAR
15	2	5100-46-H	SNAP RING
16	1	8A01008-080	COVER, BULKHEAD HYD CYL. HOLE
17	1	AN316-5R	NUT
18	2	AN4-53A	BOLT
19	4	AN4-5A	BOLT
20	2	AN4-6A	BOLT
21	4	AN526-1032R4	SCREW, MACHINE, TRUSS HEAD
22	1	AN816-4D	NIPPLE, FLARED TUBE AND PIPE THREAD
23	1	MS20822-4D	ELBOW
24	6	MS21044N4	NUT
25	4	MS35333-39	STAR WASHER
26	8	NAS1149D0416J	WASHER, 0.265 ID, 0.016 THK, ALUMINUM
27	8	NAS1149D0463J	WASHER, 0.265 ID, 0.063 THK, ALUMINUM
28	2	NAS679-A4W	KAYNAR NUT
29	8	AN4-5A	BOLT
	16	NAS1149D0416J	WASHER, 0.265 ID, 0.016 THK, ALUMINUM
	8	MS21044N4	NUT
30	2	3A07005-178	CLIP, SWITCH, NOSE & MAIN

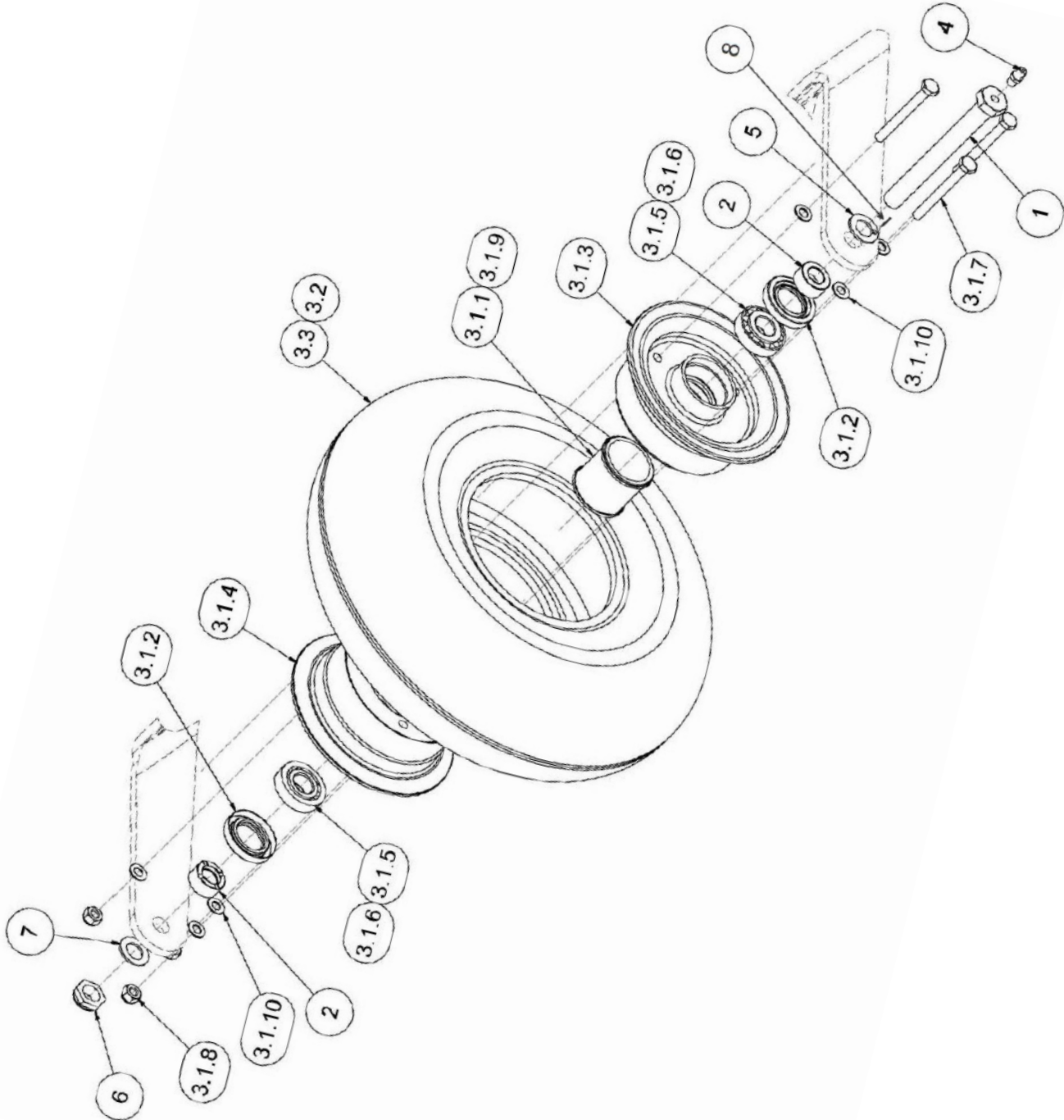
NOSE GEAR LOWER ASSEMBLY



PARTS MANUAL
2350 FLOATS ON CESSNA 172 &175 SERIES

ITEM	QTY	PART NO.	PART DESCRIPTION
1	1	1095K41	COMMON GREASEZERK
2	1	21A06000-020	WELDMENT, PIVOT SHAFT, FORK, NOSE GEAR
3	1	21A06020-001	FORK, NOSE GEAR
4	1	21A06160-053	PRESSURE PLATE
5	1	21A06194-005	BLOCK - SPRING
6	1	21A06213-006	TOW HOOK NOSE GEAR
7	1	21A06237-001	BEARING PLATE, LOWER, NOSE GEAR
8	1	21A06318-005	BLOCK - PIVOT, NOSE GEAR
9	1	21A06475-006	FRICITION CUP
10	1	21A06476-003	PIN, ANTIROTATION
11	1	21A06605-002	PLUNGER- NOSE WHEEL
12	1	21A06653-001	SPRING NOSE GEAR
13	1	21A06705-005	PRESSURE SPRING
14	1	30A06702-016	BOLT - MODIFIED, PIVOT BLOCK
15	1	3A06602-001	THRUST WASHER
16	1	9528K15	1/4" CHROME BALL BEARING
17	4	AN4-7A	BOLT, 1/4-28, 0.4375 GRIP, UNDRILLED, STEEL
18	2	AN5-14A	BOLT
19	2	AN5-16A	BOLT
20	1	AN6227-9	O-RING
21	1	M62-350	SPRING
22	1	MS16997-60	SOCKET HEAD CAP SCREW
23	5	MS21044N4	NUT
24	4	MS21044N5	NUT, LOCKING, REGULAR HEIGHT, 5/16-24 UNF
25	4	MS35333-39	STAR WASHER
26	1	MS35649-2252	NUT
27	2	NAS1149D0463J	WASHER, 0.265 ID, 0.063 THK, ALUMINUM
28	8	NAS1149F0463P	WASHER, 0.265 ID, 0.063 THK, STEEL
29	4	NAS1149F0532P	WASHER, 0.328 ID, 0.032 THK, STEEL
30	4	NAS1149F0563P	WASHER
31	4	NAS1352-316P	SOCKET HEAD CAP SCREW

NOSE WHEEL ASSEMBLY (GROVE ONLY)

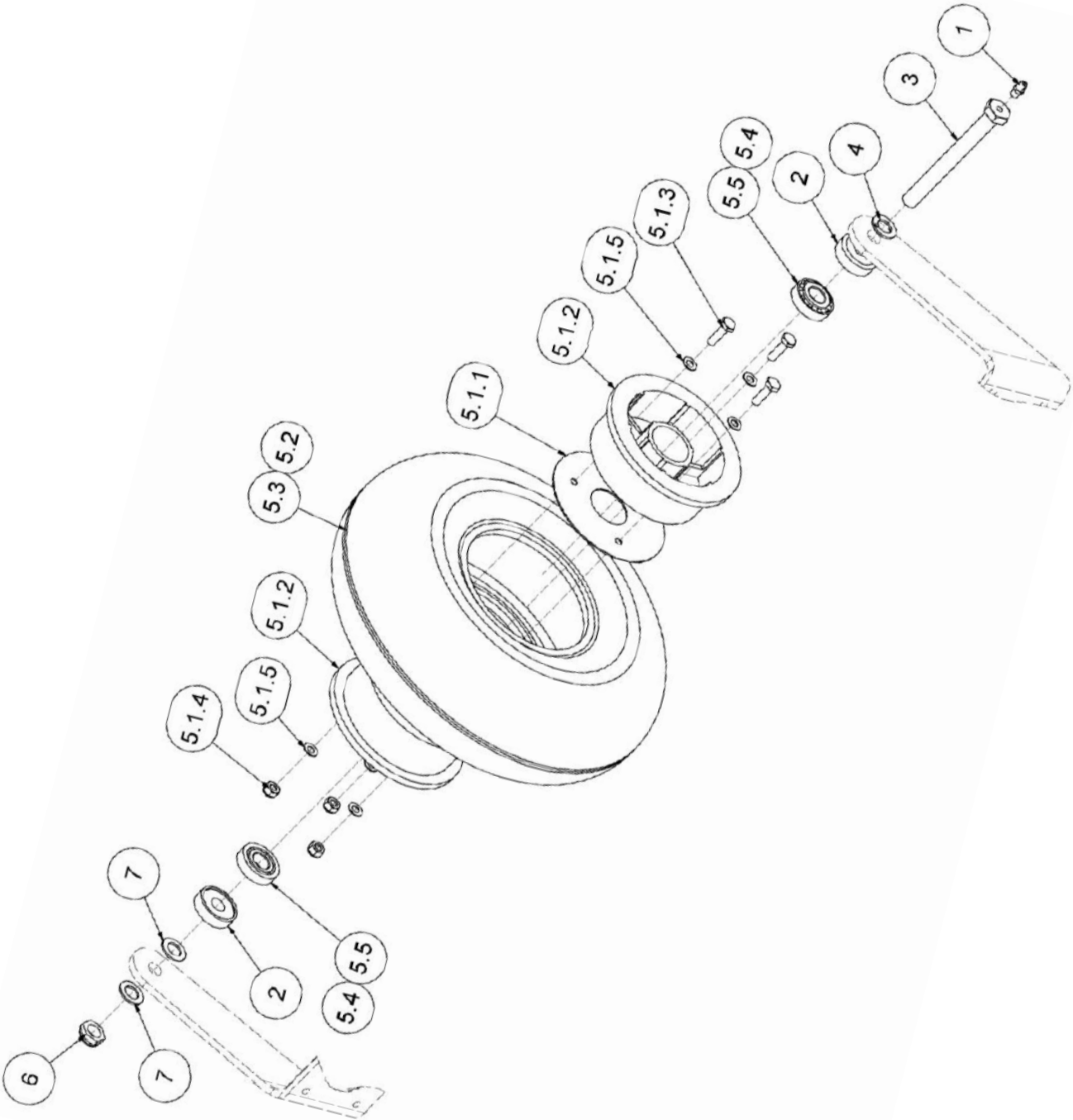


PARTS MANUAL
2350 FLOATS ON CESSNA 172 &175 SERIES

ITEM	QTY	PART NO.	PART DESCRIPTION
1	1	1005927	BOLT, AXLE, NOSE GEAR
2	2	1005929	SPACER
3	1	1005931	ASSEMBLY, NOSE WHEEL
3.1	1	49-12AF-001	ASSEMBLY, WHEEL, GROVE
3.1.1	1	010-019	GREASE RETAINER
3.1.2	2	471570	SEAL, TIMKEN (EQUIVALENT TO GROVE OEM P/N 010-026)
3.1.3	1	015-020A	WHEEL HALF INNER
3.1.4	1	016-020AF	WHEEL HALF OUTER
3.1.5	2	A4050	BEARING CORE
3.1.6	2	A4138	BEARING CONE
3.1.7	3	AN4-23A	BOLT
3.1.8	3	MS21044N-4	NUT
3.1.9	2	MS28775-029	O-RING
3.1.10	6	NAS1149F0416	WASHER
3.2	1	XA1AA*	INNER TUBE, 2.80 X 4
3.3	1	AD1A2*	TIRE, 2.50 / 2.80 - 4
4	1	1095K41	COMMON GREASE ZERK
5	1	3A06702-003	MODIFIED WASHER
6	1	MS21083N8	NUT
7	1	NAS1149D0863J	WASHER
8	1	21A06476-003	PIN ANTI ROTATE AXEL

* Any alternate tire (tube type) which is TSO-approved, matches the listed tire's dimensions, and meets its speed/load/ply ratings may be used. Equivalent tubes may also be used.

NOSE WHEEL ASSEMBLY (PARKER ONLY)

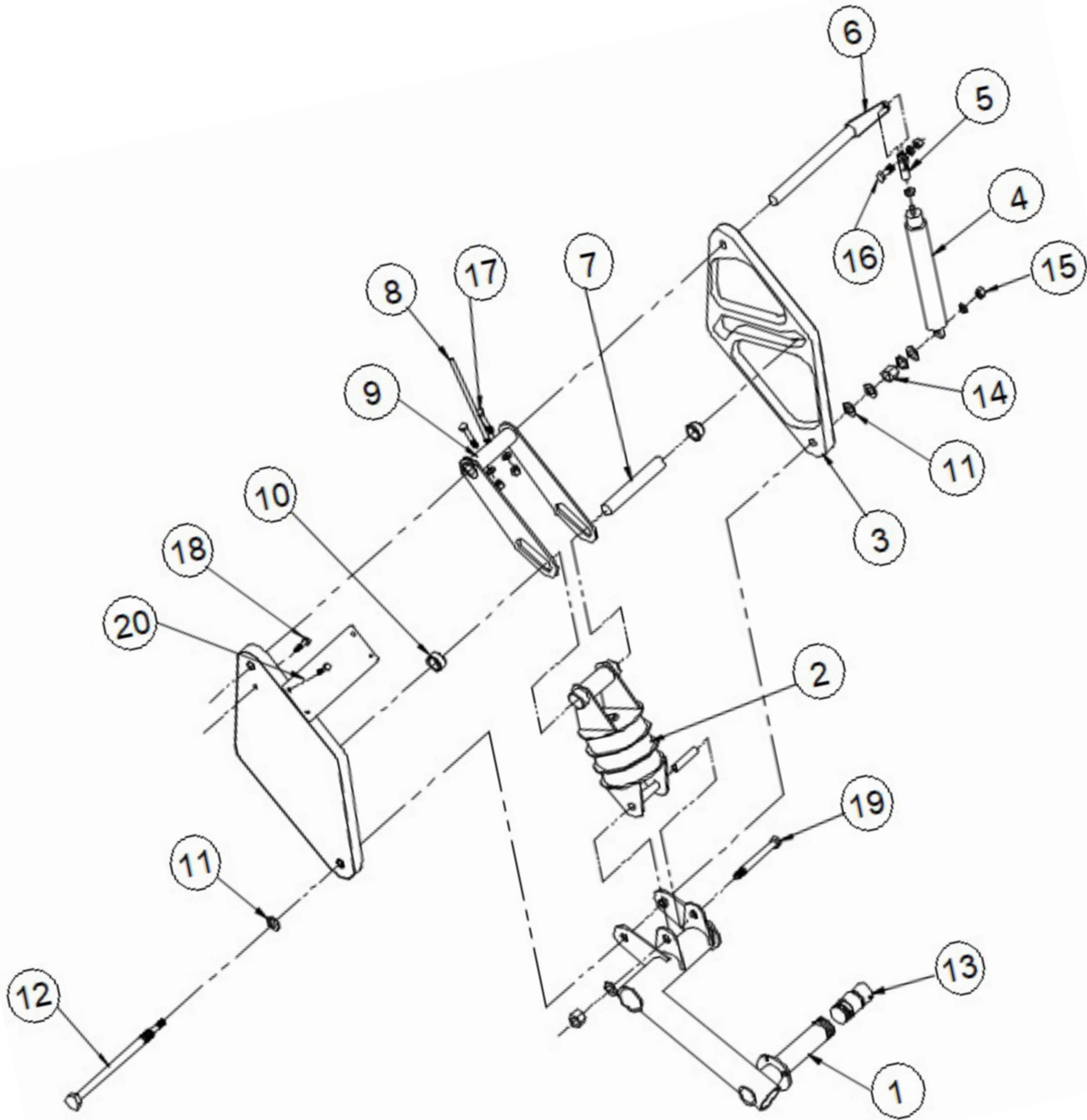


PARTS MANUAL
2350 FLOATS ON CESSNA 172 &175 SERIES

ITEM	QTY	PART NO.	PART DESCRIPTION
1	1	1095K41	COMMON GREASEZERK
2	2	3A06259-001	SPACER
3	1	3A06702-002	MODIFIED BOLT
4	1	3A06702-003	MODIFIED WASHER
5	1	21A06000-021	NOSE WHEEL ASSEMBLY
5.1	1	D-30380	PARKER WHEEL ASSEMBLY
5.1.1	1	068-30373	GASKET
5.1.2	2	161-30382	WHEEL HALF
5.1.3	3	AN4-7A	BOLT, 1/4-28, 0.4375 GRIP, UNDRILLED, STEEL
5.1.4	3	MS21044N4	NUT
5.1.5	6	NAS1149F0432P	WASHER
5.2	1	XA1AA*	INNER TUBE, 2.80 X 4
5.3	1	AD1A2*	TIRE, 2.50 / 2.80 - 4
5.4	2	A4050	BEARING CORE
5.5	2	A4138	BEARING CONE
6	1	MS21083N8	NUT
7	2	NAS1149D0863J	WASHER

* Any alternate tire (tube type) which is TSO-approved, matches the listed tire's dimensions, and meets its speed/load/ply ratings may be used. Equivalent tubes may also be used.

MAIN GEAR RETRACTION INSTALLATION

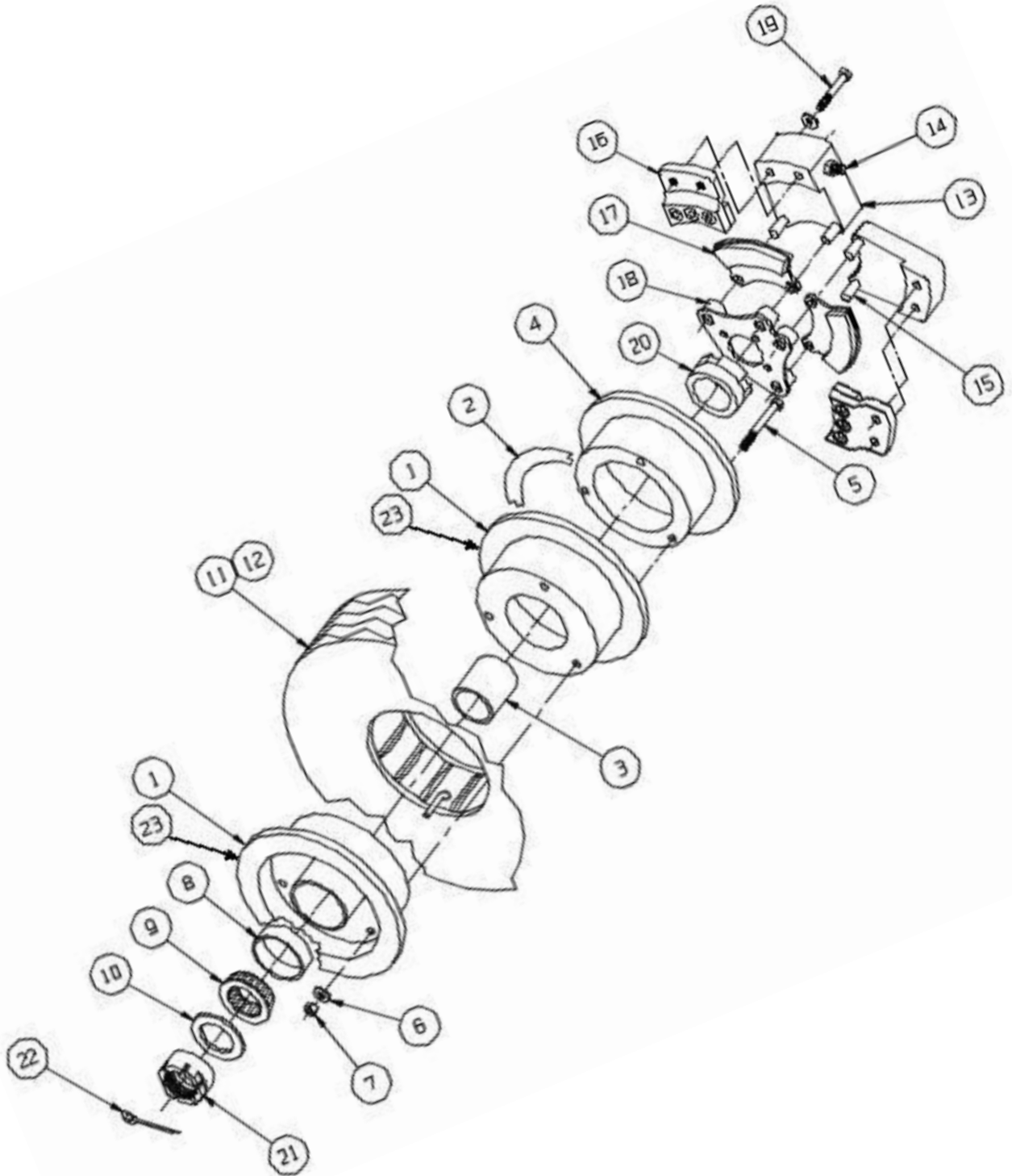


PARTS MANUAL
2350 FLOATS ON CESSNA 172 &175 SERIES

ITEM	QTY	PART NO.	PART DESCRIPTION
1	1	21A04000-077	ASS'Y – DRAG LINK L.
	1	21A04000-076	ASS'Y – DRAG LINK R.
	2	08FDU12	BEARING
2	1	23A04000-113	ASS'Y SHOCK STRUT
	1	21A04000-075	ASS'Y – LOWER END
	1	21A04585-002	SLEEVE
	2	1095K41	ZERK – GREASE
	1	21A04000-074	ASS'Y – UPPER END
	1	1002088	DUAL BUSHING ASSEMBLY
	1	1001101	BUSHING ASSEMBLY
	1	21A04503-004	RETAINING PIN
	1	MS24665-151	COTTER PIN
	2	NAS1149F0416J	WASHER
	2	NAS1149F0463J	WASHER
3	1	21A05114-005	TRACK – MAIN GEAR L.
	1	21A05114-006	TRACK – MAIN GEAR R.
	1	10DU12	BEARING - UPPER
	1	08DU12	BEARING – LOWER
4	1	1002574	CYLINDER
	2	MS20822-4D	FITTING - ELBOW
5	1	21A05705-002	ROD END
	1	AN316-5	JAMB NUT
	1	21A05260-005	SPACER
	1	MS20002C6	CHAMFERED WASHER (CHAMFERED EDGE GOES AGAINST CYLINDER)
6	1	21A05000-017	ARM – RETRACT L.
	1	21A05000-016	ARM – RETRACT R.
7	1	21A04454-006	AXLE – SHOCK STRUT
8	1	21A05000-022	INDICTATOR ASS'Y
9	1	21A05000-018	GEAR ACTUATOR
10	2	21A05520-003	ROLLER – TRACK
11	2	93783A033	WASHER – SEALING
12	1	21A05000-019	BOLT – ASSEMBLY
13	1	21A04263-007	RETAINER - GREASE
	2	MS28775-210	“O” RING
	1	1095K41	ZERK – GREASE
14	1	MS21044N8	NUT
	2	NAS1149F0863P	WASHER
15	1	MS21083N5	NUT, LOCKING, LOW HEIGHT, 5/16-24 UNF
	A/R	NAS1149F0563P	WASHER
16	1	AN5-11A	BOLT, 5/16-24, 0.6875 GRIP, UNDRILLED, STEEL

ITEM	QTY	PART NO.	PART DESCRIPTION
	2	NAS1149F0563P	WASHER
	1	MS21044N5	NUT, LOCKING, REGULAR HEIGHT, 5/16-24 UNF
17	2	AN4-13A	BOLT
	4	NAS1149D0416J	WASHER, 0.265 ID, 0.016 THK, ALUMINUM
	2	MS21044N4	NUT
18	8	AN3-6A	BOLT – TRACK ATTACH
	8	NAS1149D0316J	WASHER, 0.203 ID, 0.016 THK, ALUMINUM
	8	NAS1149D0363J	WASHER, 0.203 ID, 0.063 THK, ALUMINUM
	8	MS21044N3	NUT, LOCKING, REGULAR HEIGHT, 10-32 UNF
19	1	AN8-33A	BOLT
	1	NAS1149F0832P	WASHER
	1	NAS1149F0863P	WASHER
	1	MS21044N8	NUT
20	1	21A05003-079	PLATE - SEPARATING
	4	AN3-5A	BOLT
	8	NAS1149D0316J	WASHER, 0.203 ID, 0.016 THK, ALUMINUM
	4	MS21044N3	NUT, LOCKING, REGULAR HEIGHT, 10-32 UNF

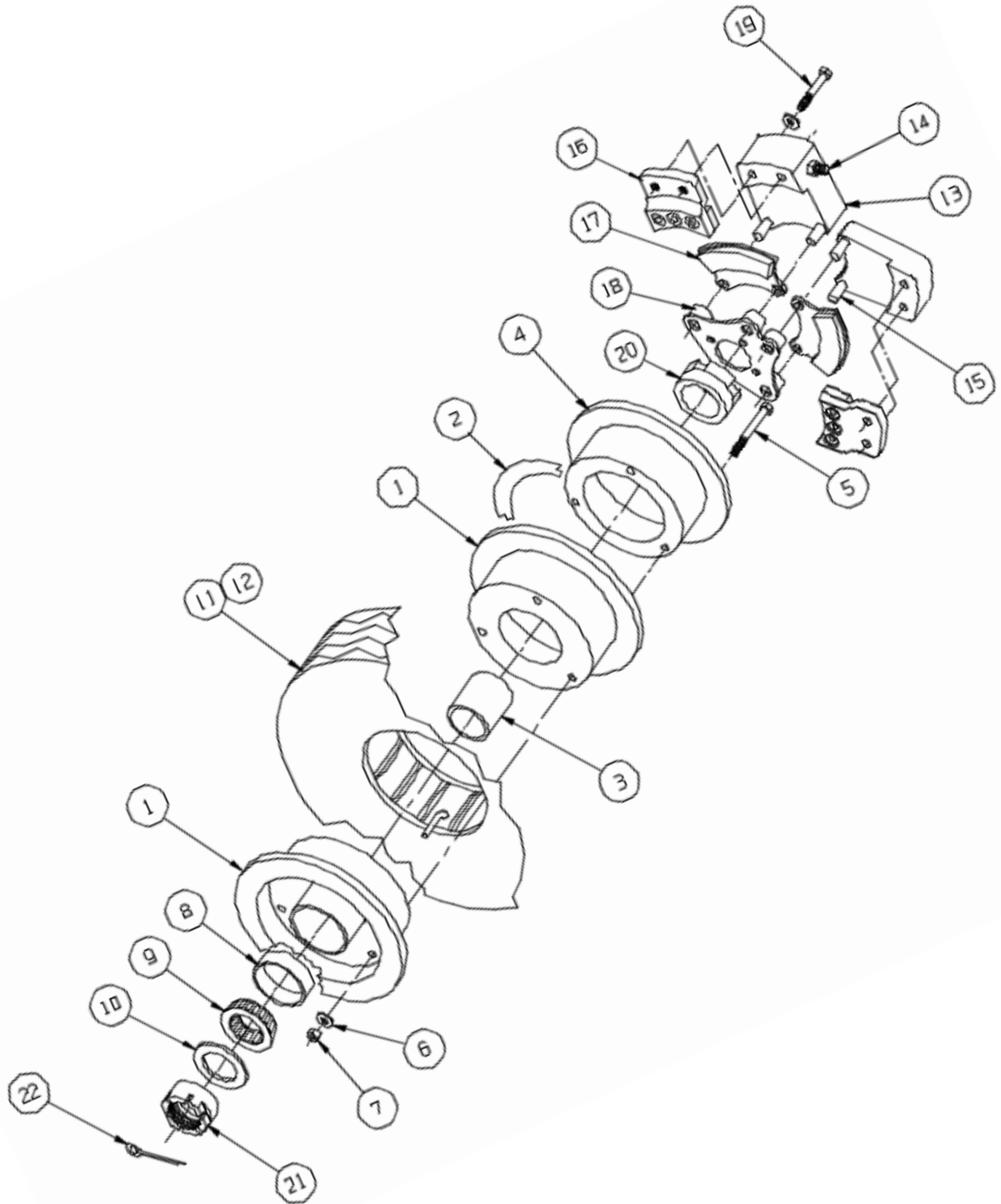
MAIN GEAR WHEEL (GROVE / WIPAIRE ASSEMBLY)



ITEM	QTY	PART NO.	PART DESCRIPTION
1	1	1002144	ASS'Y – WHEEL AND BRAKE (COMPLETE) INCLUDES ALL ITEMS BELOW EXCEPT TIRE & TUBE
2	1	3A04620-001	GASKET - TEFLON
3	1	010-009	GREASE RETAINER
4	1	018-002	BRAKE DISC
5	3	AN4-23A	BOLT
6	3	NAS1149F0432P	WASHER
7	3	MS21044N4	NUT
8	2	08125	BEARING RACE, NON-CHROME
9	2	08231	BEARING CUP, NON-CHROME
10	2	473237	SEAL - INSIDE/OUTSIDE *DRILL #50 HOLE IN SIDE OF SEAL TO BE USED IN OUTBOARD SIDE OF WHEEL.
11	1	AA1D4*	TIRE –TYPE III 5.00 X 5-6
12	1	XA1AC*	TUBE 5.00
13	1	32-3	BRAKE ASSEMBLY
	2	017-003	PISTON
	2	MS28775-217	O-RING
14	1	220-0063	BLEEDER ASSEMBLY
	1	MS20823-3D	FITTING 45° BRAKE LINE
15	2	013-001	TORQUE PIN
	2	MS21044N4	NUT
16	1	10-3	BACK PLATE ASSEMBLY
	1	066-111	BRAKE PAD
	3	066-001	RIVET
17	1	11-2	PRESSURE PLATE ASSEMBLY
	1	066-111	LINING
	3	066-001	RIVET
18	1	020-001	BRAKE TORQUE PLATE ASSEMBLY
19	3	AN4H-15A	BOLT
	3	NAS1149F0432P	WASHER
20	1	3A04093-001	SPACER
21	1	3A04268-003	NUT – AXLE
22	1	MS24665-351	COTTER PIN
23	1	015-002	WHEEL HALF-INNER (HALVES NOT SOLD SEPERATELY)
	1	016-002	WHEEL HALF-OUTER (HALVES NOT SOLD SEPERATELY)

* Any alternate tire (tube type) which is TSO-approved, matches the listed tire's dimensions, and meets its speed/load/ply ratings may be used. Equivalent tubes may also be used.

MAIN GEAR WHEEL (CLEVELAND / PARKER ASSEMBLY)



ITEM	QTY	PART NO.	PART DESCRIPTION
1	1	3A04000-002	ASS'Y – WHEEL (W/ TUBE & TIRE)
	1	3A04000-060	ASS'Y
2	1	3A04620-001	GASKET - TEFLON
3	1	3A04616-001	GREASE RETAINER
4	1	164-01700	BRAKE DISC
5	3	AN4-22A	BOLT
6	3	NAS1149F0432P	WASHER
7	3	MS21044N4	NUT
8	2	8231	BEARING CUP
	2	8231CP	BEARING CUP, CHROME (OPT.)
9	2	8125	BEARING CONE
	2	8125CP	BEARING CONE, CHROME (OPT.)
10	2	473237	SEAL - INSIDE/OUTSIDE
11	1	AA1D4*	TIRE –TYPE III
	1	XA1AC*	TUBE
12	2	3A04000-052	ASS'Y – BRAKE AND TORQUE PLATE
13	2	030-00903	ASS'Y – CALIPER
	2	062-00300	PISTON
	2	AN6227-23	“O” RING
	2	MS20823-3D	FITTING - 45 DEGREES (BRAKE LINE)
14	2	081-30619	SEAT – BLEEDER
	2	79-3	SCREW – BLEEDER
	2	183-1	CAP – BLEEDER
15	4	069-00400	ANCHOR BOLT
	4	NAS1149F0463P	WASHER, 0.265 ID, 0.063 THK, STEEL
	4	MS21044N4	NUT
16	2	074-02700	ASS'Y – BACK PLATE
	2	064-00500	PLATE – BACK
	2	066-10600	LINING
	6	105-2	RIVET
17	2	073-04800	ASS'Y – PRESSURE PLATE
	2	063-00500	PLATE - PRESSURE
	2	066-10600	LINING
	6	105-2	RIVET
18	1	23A04000-109	BRAKE TORQUE PLATE - LEFT
	1	23A04000-110	BRAKE TORQUE PLATE – RIGHT
19	4	AN4H15A	BOLT
	4	NAS1149F0432P	WASHER
20	1	3A04093-001	SPACER
21	1	3A04268-003	NUT – AXLE
22	1	MS24665-351	COTTER PIN

* Any alternate tire (tube type) which is TSO-approved, matches the listed tire's dimensions, and meets its speed/load/ply ratings may be used. Equivalent tubes may also be used.

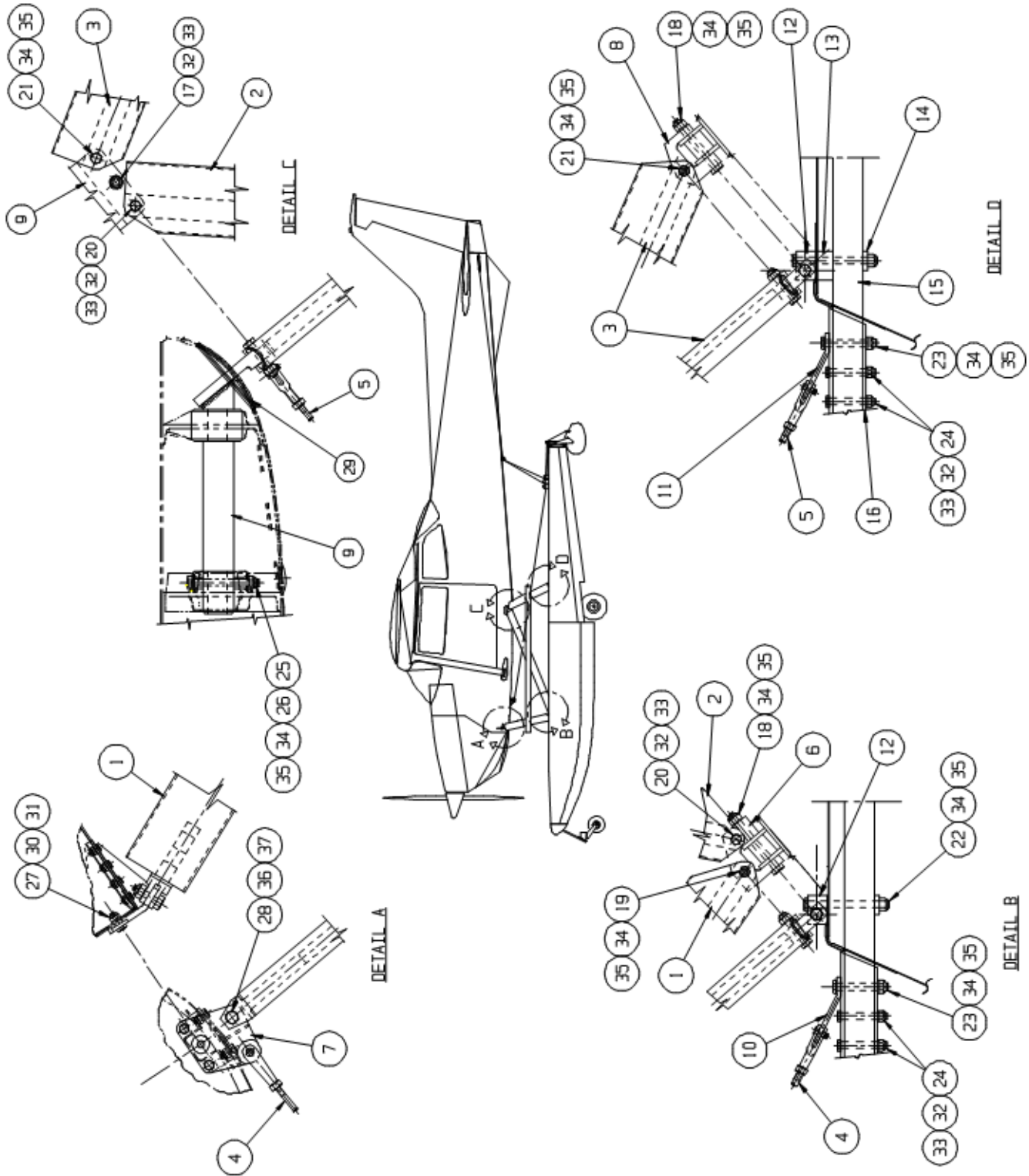
SECTION 9

STRUTS, WIRES, STEPS, & SPREADER BARS

CONTENTS

STRUTS, WIRES, STEPS & SPREADER BARS	90
SPREADER BAR PANEL FWD ASSEMBLY AMPHIBIAN ONLY	93
SPREADER BAR PANEL FWD ASSEMBLY SEAPLANE ONLY	94
SPREADER BAR PANEL AFT ASSEMBLY.....	95
MOUNTING SPREADER BAR TUBE.....	96
VENTRAL FIN & FUSELAGE STEPS INSTALLATION	97

STRUTS, WIRES, STEPS & SPREADER BARS



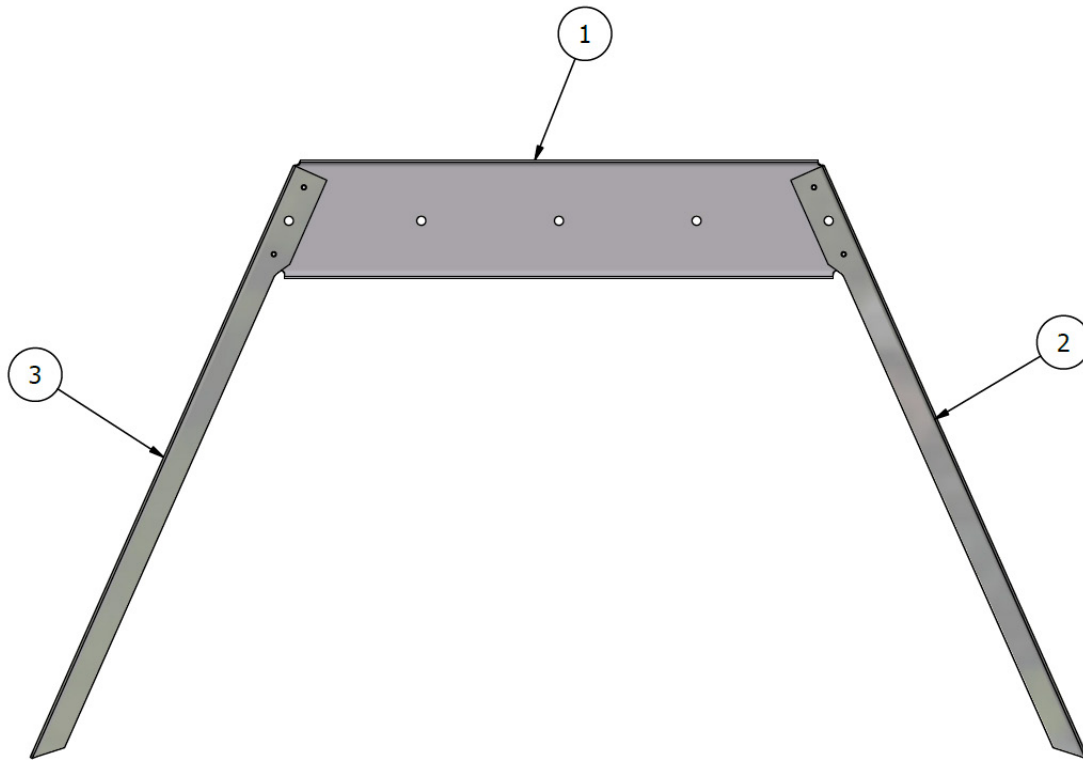
PARTS MANUAL
2350 FLOATS ON CESSNA 172 &175 SERIES

ITEM	QTY	PART NO.	PART DESCRIPTION
1	2	23A02000-174	ASS'Y – FRONT STRUT
	1	23A02053-010	FITTING - UPPER
	4	AN5-16A	BOLT – FITTING ATTACH
	8	NAS1149F0563P	WASHER
	4	MS21044N5	NUT, LOCKING, REGULAR HEIGHT, 5/16-24 UNF
	1	21A02334-020	STRUT – BLANK WITH BUSHINGS
	4	NAS1149F0532P	WASHER, 0.328 ID, 0.032 THK, STEEL
2	2	23A02000-230	ASS'Y - STRUT – CENTER WITH BUSHINGS
3	2	21A02000-161	ASS'Y – STRUT – REAR WITH BUSHINGS
4	2	1002111	ASS'Y – DRAG WIRE – FWD
	2	SP4ZF6	CLEVIS - PIN
	2	SP90C5	PIN – COTTER
	1	AN665-46LS *	TERMINAL CLEVIS “L”
	1	AN665-46RS *	TERMINAL CLEVIS “R”
	1	AN316C5L	CHECK NUT “L”
	1	AN316C5R	CHECK NUT “R”
5	2	21A02000-137	ASS'Y – DRAG WIRE – AFT
	2	SP4ZF6	PIN - CLEVIS
	2	SP90C5	PIN – COTTER
	1	AN665-46LS *	TERMINAL CLEVIS “L”
	1	AN665-46RS *	TERMINAL CLEVIS “R”
	1	AN316C5L	CHECK NUT “L”
	1	AN316C5R	CHECK NUT “R”
6	2	21A02062-009	FITTING – LOWER FRONT STRUT
7	1	21A02000-141	ASS'Y - FITTING – UPPER FRONT STRUT L.
	1	21A02000-142	ASS'Y – FITTING – UPPER FRONT STRUT R.
8	2	21A02062-010	FITTING – LOWER AFT STRUT
9	1	23A02000-219	ASS'Y – MAIN FUSELAGE FITTING L.
	1	23A02000-222	ASS'Y – MAIN FUSELAGE FITTING R.
10	2	21A02462-005	WIRE PULL LOWER FWD
11	2	21A02519-007	WIRE PULL LOWER AFT
12	4	21A03032-006	BLOCK – DECK FITTING
13	4	21A03214-003	SPACER
14	4	21A03154-008	SPACER – BEARING
15	4	21A03115-001	TUBE – SPREADER BAR MOUNT
16	2	21A03356-047	SPREADER BAR
17	2	AN45-12A	EYEBOLT
18	2	AN6-31A	BOLT, SHOULDER, GEAR ACTUATOR, 1450
19	2	AN6-17A	BOLT, 3/8-24, 1.3125 GRIP, UNDRILLED, STEEL
20	4	AN5-16A	BOLT
21	4	AN6-17A	BOLT, 3/8-24, 1.3125 GRIP, UNDRILLED, STEEL

ITEM	QTY	PART NO.	PART DESCRIPTION
22	4	AN6-42A	BOLT, STEEL, 3/8-24 THREAD, GRIP 3.688", CAD 2 PLATING
23	4	AN6-26A	BOLT SIZE 3/8-24, LENGTH 1/64 - 2-53/64, GRIP LENGTH 2-3/16
24	8	AN5-24A	BOLT, 5/16-24 THREAD, 2-1/16" GRIP, 2-19/32" LENGTH
25	2	AN6-35A	BOLT, 3/8-24 THREAD, 3-1/16" GRIP, 3-45/64 LENGTH
26	4	21A02095-003	BUSHING
27	10	AN4-6A	BOLT, 1/4-28, 0.3125 GRIP, UNDRILLED, STEEL
28	2	AN7-13A	BOLT, 7/16-20, 0.8125 GRIP, UNDRILLED, STEEL
29	2	21A02010-018	COVER – GEAR OPENING
30	A/R	NAS1149D0463J	WASHER, 0.265 ID, 0.063 THK, ALUMINUM
31	10	MS21044N4	NUT, LOCKING, REGULAR HEIGHT, 1/4-28 UNF
32	A/R	NAS1149D0563J	WASHER, 0.328 ID, 0.063 THK, ALUMINUM
33	6	MS21044N5	NUT, LOCKING, REGULAR HEIGHT, 5/16-24 UNF
34	A/R	NAS1149D0663J	WASHER, 0.39 ID, 0.063 THK, ALUMINUM
35	18	MS21044N6	NUT, LOCKING, REGULAR HEIGHT, 3/8-24 UNF
36	A/R	NAS1149D0763J	WASHER, 0.453 ID, 0.063 THK, ALUMINUM
37	2	MS210365-720A	NUT

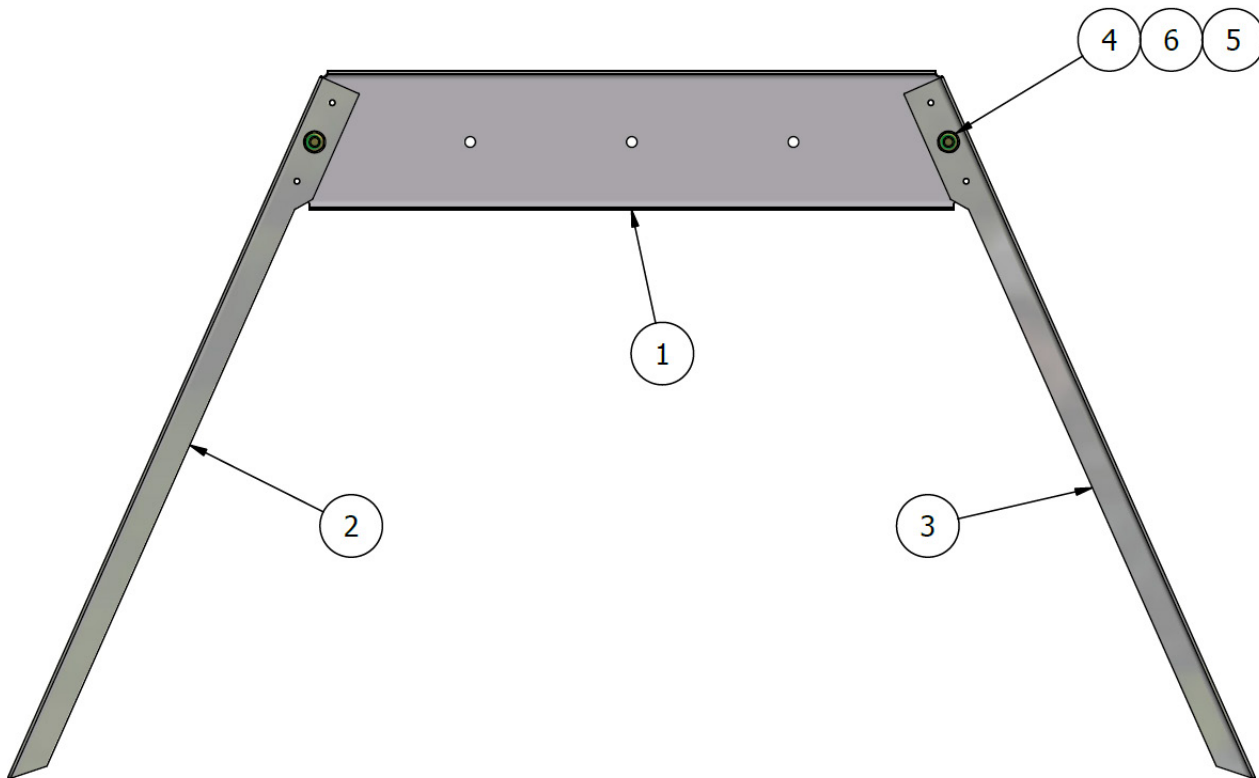
* DENOTES STAINLESS STEEL

SPREADER BAR PANEL FWD ASSEMBLY AMPHIBIAN ONLY



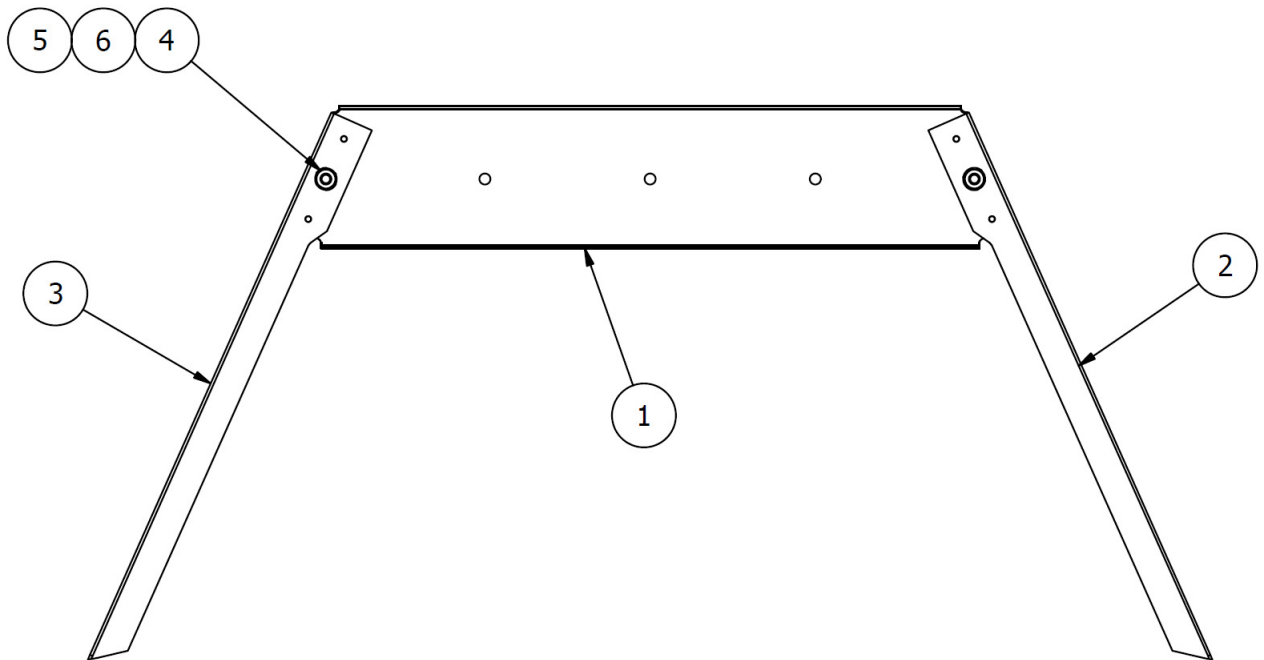
ITEM	QTY	PART NO.	PART DESCRIPTION
-	1	21A01000-260	SPREADER BAR PANEL FWD ASSY.
1	1	21A01163-065	PANEL, SUPPORT, SPREADER BAR
2	1	21A01326-007	ANGLE SUPPORT, LH, BULKHEAD #5
3	1	21A01326-008	ANGLE SUPPORT, RH, BULKHEAD #5

SPREADER BAR PANEL FWD ASSEMBLY SEAPLANE ONLY



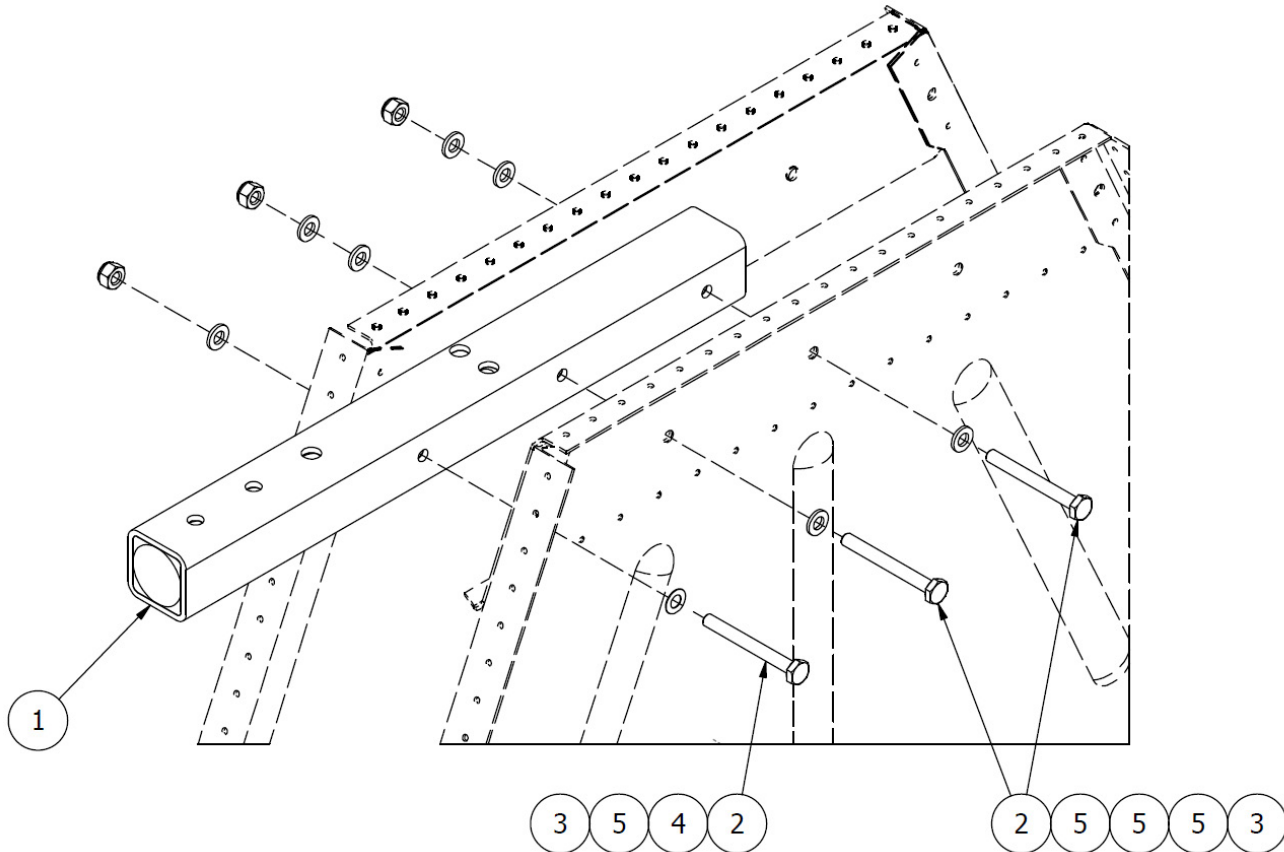
ITEM	QTY	PART NO.	PART DESCRIPTION
-	1	23A01000-302	ASSY, SPREADER BAR PANEL, FWD
1	1	21A01163-065	PANEL, SUPPORT, SPREADER BAR
2	1	23A01326-018	ANGLE, RH, SPREADER BAR PANEL, FWD
3	1	23A01326-019	ANGLE, LH, SPREADER BAR PANEL, FWD
4	2	AN4-5A	BOLT, 1/4-28, 0.1875 GRIP, UNDRILLED, STEEL
5	2	MS21044N4	NUT, LOCKING, REGULAR HEIGHT, 1/4-28 UNF
6	2	NAS1149F0463P	WASHER, 0.265 ID, 0.063 THK, STEEL

SPREADER BAR PANEL AFT ASSEMBLY



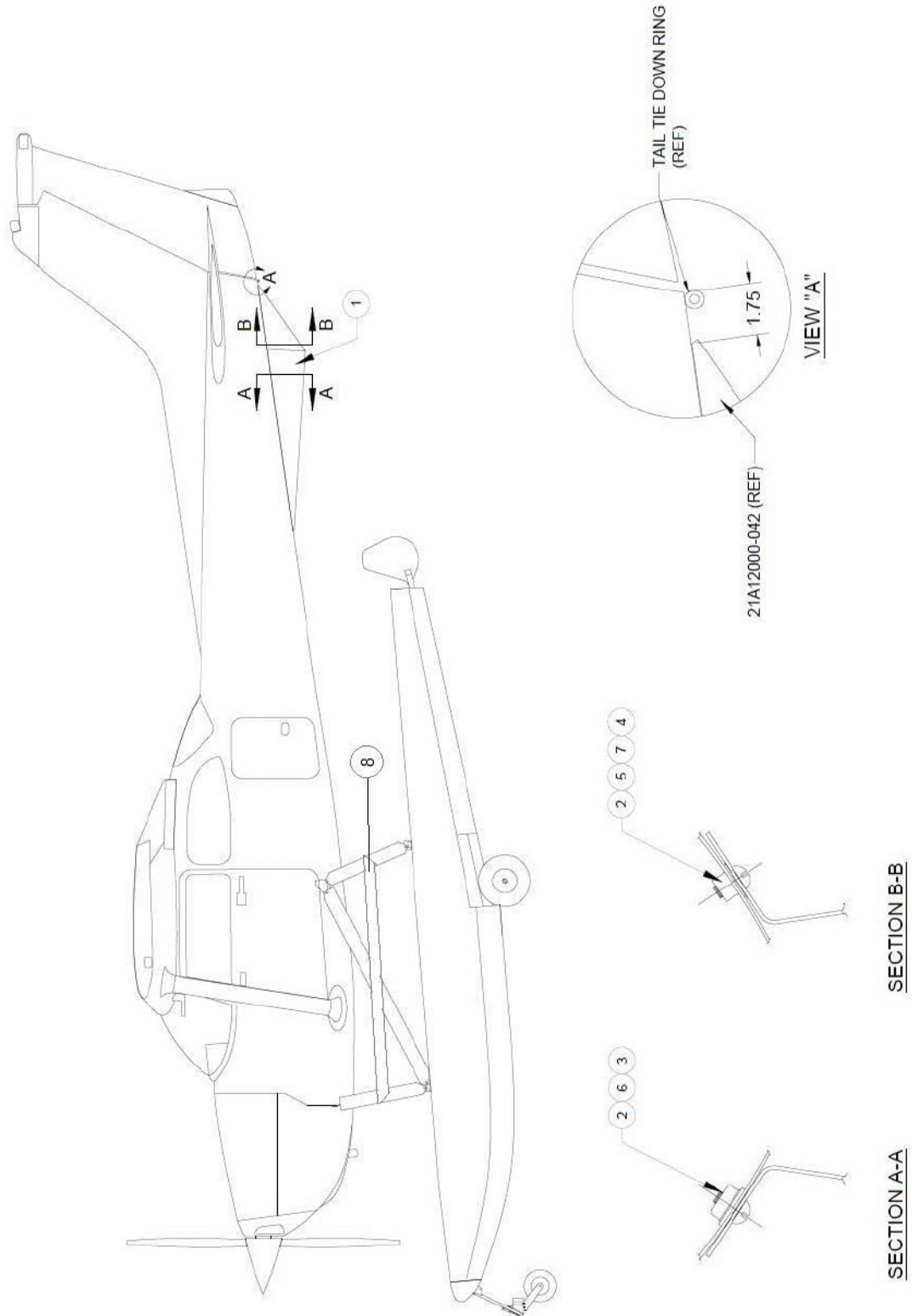
ITEM	QTY	PART NO.	PART DESCRIPTION
-	1	21A01000-259	SPREADER BAR PANEL AFT ASSY
1	1	21A01163-065	PANEL, SUPPORT, SPREADER BAR
2	1	21A01326-009	ANGLE, SIDE BAR, SHORT
3	1	21A01326-010	ANGLE, SIDE BAR, SHORT
4	2	AN4-5A	BOLT, 1/4-28, 0.1875 GRIP, UNDRILLED, STEEL
5	2	MS21044N4	NUT, LOCKING, REGULAR HEIGHT, 1/4-28 UNF
6	2	NAS1149F0463P	WASHER, 0.265 ID, 0.063 THK, STEEL

MOUNTING SPREADER BAR TUBE



ITEM	QTY	PART NO.	PART DESCRIPTION
1	1	21A03115-001	TUBE, SPREADER BAR, MOUNTING
2	3	AN4-22A	BOLT, 1/4-28, 1.8125 GRIP, UNDRILLED, STEEL
3	3	MS21044N4	NUT, LOCKING, REGULAR HEIGHT, 1/4-28 UNF
4	1	NAS1149D0416J	WASHER, 0.265 ID, 0.016 THK, ALUMINUM
5	7	NAS1149D0463J	WASHER, 0.265 ID, 0.063 THK, ALUMINUM

VENTRAL FIN & FUSELAGE STEPS INSTALLATION



ITEM	QTY	PART NO.	PART DESCRIPTION
1	1	21A12000-042	VENTRAL FIN (172)
2	24	AN526-832R8	SCREW, MACHINE, TRUSS HEAD
3	14	MS21047L08	NUTPLATE
4	10	MS27130A13	RIVNUT
5	10	MS35333-38	STAR WASHER
6	14	NAS1149F0363P	WASHER, 0.203 ID, 0.063 THK, STEEL
7	10	NAS1149FN832P	WASHER, 0.174 ID, 0.032 THK, STEEL
8	2	21A02369-035	STEP – L. & R.
	4	AN3-20A	BOLT, 10-32, 1.625 GRIP, UNDRILLED, STEEL
	2	AN3-24A	BOLT, 10-32 THREAD, 2-1/8" GRIP, 2-17/32" LENGTH
	12	NAS1149D0363J	WASHER, 0.203 ID, 0.063 THK, ALUMINUM
	6	MS21044N3	NUT, LOCKING, REGULAR HEIGHT, 10-32 UNF
	6	BFP	HOLE PLUG
	4	6A02273-006	SPACER – FRONT STRUT

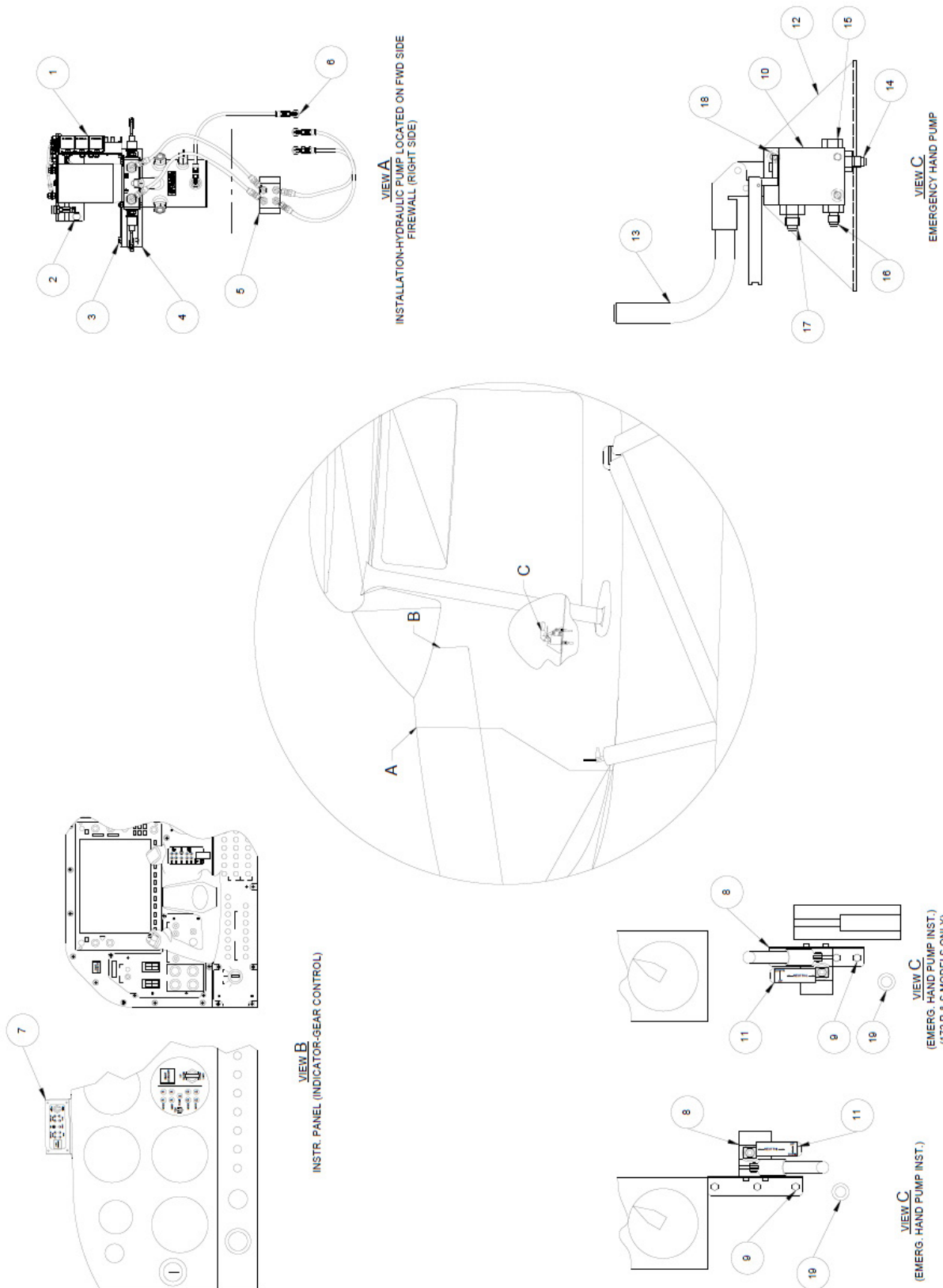
SECTION 10

HYDRAULIC SYSTEM

CONTENTS

HYDRAULIC SYSTEM INSTALLATION POST SERVICE LETTER 228.....	100
HYDRAULIC SYSTEM INSTALLATION PRE SERVICE LETTER 228	103
HYDRAULIC PUMP ASSEMBLY POST SERVICE LETTER 228	106
HYDRAULIC PUMP ASSEMBLY PRE SERVICE LETTER 228	110
HYDRAULIC PUMP OVERVIEW POST SERVICE LETTER 228.....	113
HYDRAULIC PUMP OVERVIEW PRE SERVICE LETTER 228	115
HYDRAULIC SCHEMATIC	117

HYDRAULIC SYSTEM INSTALLATION POST SERVICE LETTER 228

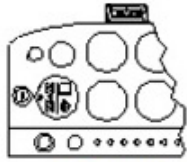


PARTS MANUAL
2350 FLOATS ON CESSNA 172 &175 SERIES

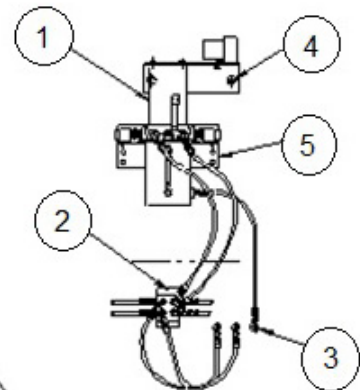
ITEM	QTY	PART NO.	PART DESCRIPTION
1	1	1011849	ASSEMBLY, HYDRAULIC POWER PACK, 12V
	1	1011850	ASSEMBLY, HYDRAULIC POWER PACK, 24V
	1	1011851	SPACER, INSTALLATION, HYDRAULIC POWER PACK
2	2	AN3-3A	(TOP BRACKET) BOLT, 10-32, 0.063 GRIP, UNDRILLED, STEEL
	4	NAS1149F0332P	WASHER, 0.203 ID, 0.032 THK, STEEL
	2	MS21044N3	NUT, LOCKING, REGULAR HEIGHT, 10-32 UNF
3	2	AN4-6A	(BOTTOM BRACKET) BOLT, 1/4-28, 0.313 GRIP, STEEL
	4	NAS1149F0432P	WASHER, 0.265 ID, 0.032 THK, STEEL
	2	MS21044N4	NUT, LOCKING, REGULAR HEIGHT, 1/4-28 UNF
4	1	21A09348-020	ANGLE, LOWER PUMP ATTACH
	4	AN3-4A	BOLT, 10-32, 0.125 GRIP, UNDRILLED, STEEL
	4	NAS1149F0363P	WASHER, 0.203 ID, 0.063 THK, STEEL
	4	MS21044N3	NUT, LOCKING, REGULAR HEIGHT, 10-32 UNF
5	1	21A09000-240	ASSEMBLY, MANIFOLD
	1	6A09046-001	MANIFOLD
	2	AN3-5A	BOLT, 10-32, 0.25 GRIP, UNDRILLED, STEEL
	4	AN816-4D	FITTING, NIPPLE, FLARED TUBE AND PIPE THREAD
	4	AN816-4-4D	FITTING, NIPPLE, FLARED TUBE AND PIPE THREAD
	2	NAS1149F0363P	WASHER, 0.203 ID, 0.063 THK, STEEL
	2	MS21044N3	NUT, LOCKING, REGULAR HEIGHT, 10-32 UNF
6	3	AN832-4D	UNION, BULKHEAD, FLARED TUBE
	3	NAS1149F0763P	WASHER, 0.453 ID, 0.063 THK, STEEL
	3	AN924-4D	NUT, TUBE, 7/16-20 THREAD
7	1	21A11158-194	COVER, SQUARE GEAR CONTROL HEAD
	4	MS35214-42	GEAR CONTROL HEAD MOUNTING SCREW, 8-32, 0.50 LENGTH
8	1	21A09000-194	ASSEMBLY, EMERGENCY HAND PUMP
9	3	AN3-4A	(MOUNTING HARDWARE) BOLT, 10-32, 0.125 GRIP, STEEL
	3	NAS1149F0332P	WASHER, 0.203 ID, 0.032 THK, STEEL
	3	AN970-3	WASHER, 0.203 ID, 0.875 OD, .063 THK, STEEL
	3	MS21044N3	NUT, LOCKING, REGULAR HEIGHT, 10-32 UNF
10	1	642873	HAND PUMP (ONLY)
11	1	12A3-7379-1	PLACARD, EMERGENCY HAND PUMP
12	1	21A09156-129	BRACKET, PUMP ATTACH
13	1	21A09396-001	HANDLE
	1	9283K13	CAP PLUG
14	1	21A09746-001	UNION
	1	MS28775-012	O-RING, HYDRAULIC PACKING, 0.364 ID
15	1	AN814-4D	PLUG, 7/16-20 THREAD
	1	MS28775-012	O-RING, HYDRAULIC PACKING, 0.364 ID
16	1	AN815-4D	UNION
	1	MS28775-012	O-RING, HYDRAULIC PACKING, 0.364 ID

ITEM	QTY	PART NO.	PART DESCRIPTION
17	1	AN919-6D	UNION
	1	MS28775-014	O-RING, HYDRAULIC PACKING, 0.489 ID
18	2	MS16997-77	SOCKET HEAD CAP SCREW, 5/16-18 THREAD
	2	MS35333-41	LOCK WASHER, INTERNAL TOOTH
	2	NAS1149F0563P	WASHER, 0.328 ID, 0.063 THK, STEEL
19	1	MS35489-49	GROMMET
20	2	21A04000-080	ASSEMBLY, BRAKE LINE (NOT SHOWN)
	2	63-190600-3	FITTING, AERO QUIP HOSE #3

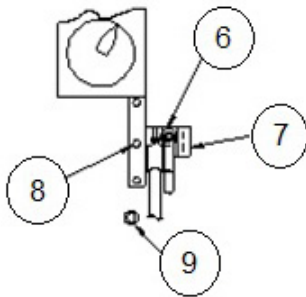
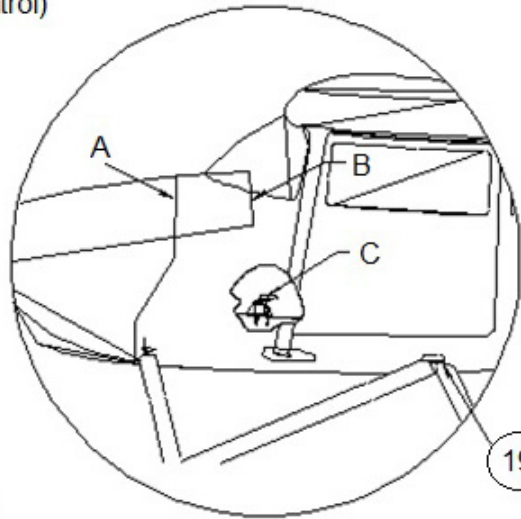
HYDRAULIC SYSTEM INSTALLATION PRE SERVICE LETTER 228



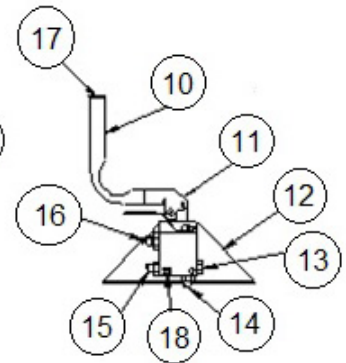
View "B"
Inst. Panel (Indicator-Gear Control)



View "A"



View "C"
Hand Pump Installation



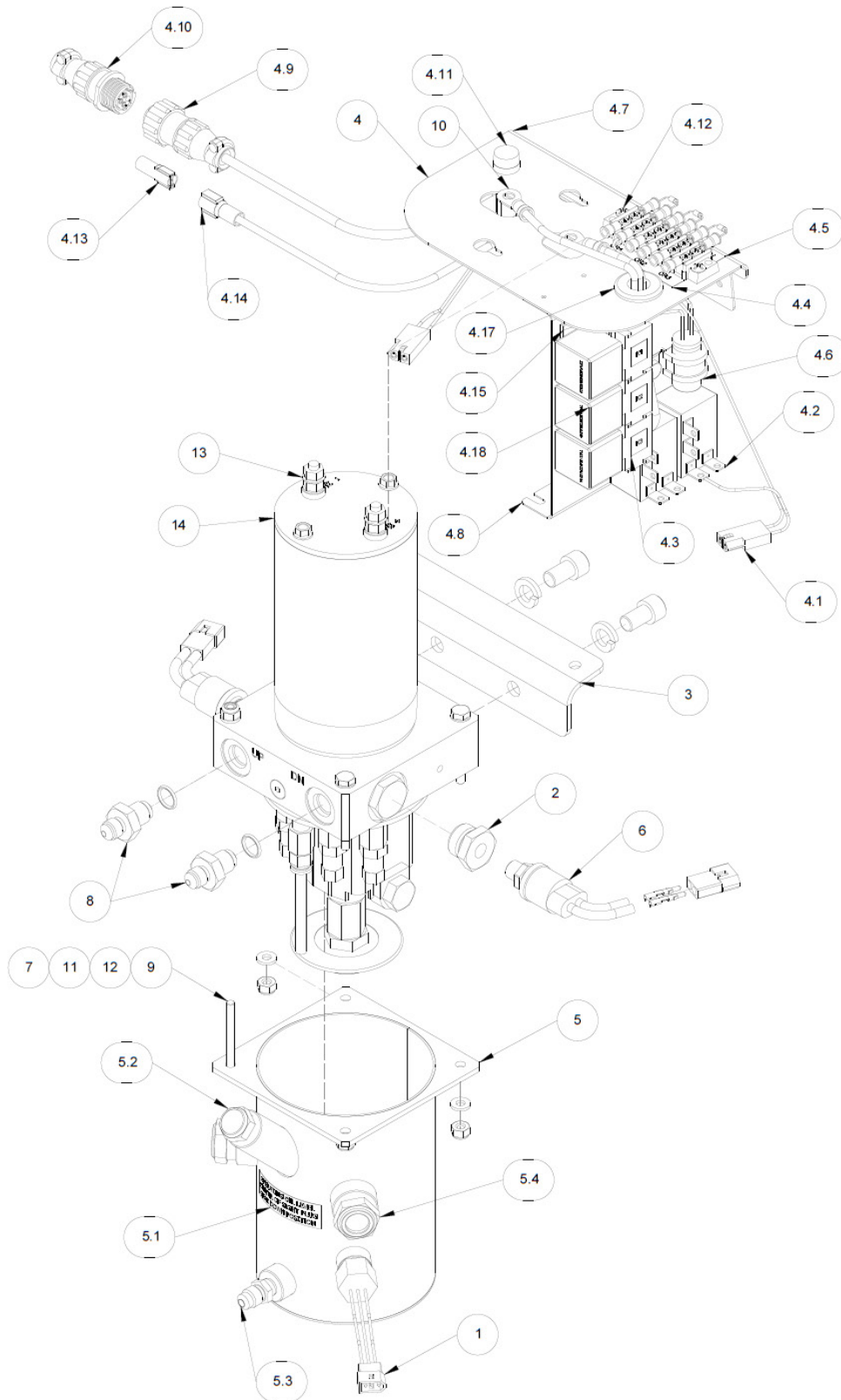
View "C"
Hand Pump Assembly

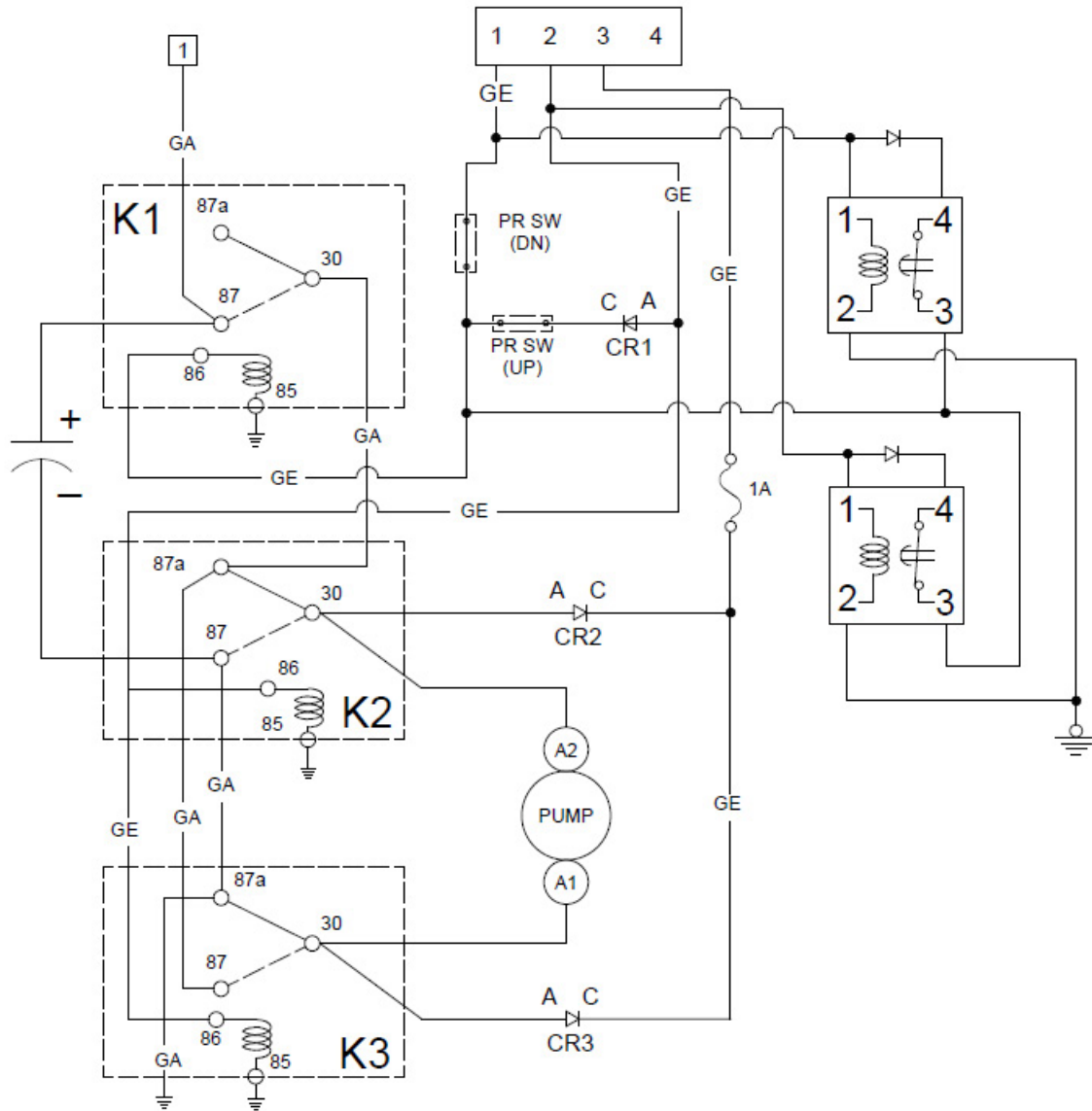
ITEM	QTY	PART NO.	PART DESCRIPTION
1	1	21A09000-239	ASS'Y - PUMP 12V
	1	21A09000-283	ASS'Y - PUMP 24V
2	1	21A09000-240	ASS'Y - MANIFOLD
	1	6A09046-001	MANIFOLD
	4	AN816-4-4D	NIPPLE - FITTING
	2	AN3-5A	BOLT - ATTACH
	2	NAS1149F0363P	WASHER
	2	MS21044N3	NUT, LOCKING, REGULAR HEIGHT, 10-32 UNF
	4	AN816-4D	NIPPLE FITTING
3	3	AN832-4D	UNION - FIREWALL
	3	NAS1149F0763P	WASHER
	3	AN924-4D	NUT
4	2	AN3-4A	BOLT - TOP BRACKET ATTACH
	4	NAS1149D0363J	WASHER, 0.203 ID, 0.063 THK, ALUMINUM
5	1	21A09348-020	ANGLE - LOWER PUMP ATTACH
	4	AN3-4A	BOLT
	4	NAS1149D0363J	WASHER, 0.203 ID, 0.063 THK, ALUMINUM
	4	MS21044N3	NUT, LOCKING, REGULAR HEIGHT, 10-32 UNF
6	1	21A09000-194	ASS'Y - HAND PUMP
7	1	21A12000-052	ASS'Y - SELECTOR HANDLE
	1	12A3-7379-1	PLACARD
8	3	AN3-4A	BOLT - ATTACH
	3	AN970-3	WASHER
	3	NAS1149D0363J	WASHER, 0.203 ID, 0.063 THK, ALUMINUM
	3	MS21044N3	NUT, LOCKING, REGULAR HEIGHT, 10-32 UNF
9	1	MS35489-49	GROMMET
10	1	21A09396-001	HANDLE - PUMP
11	1	642873	HAND PUMP (ONLY)
12	1	21A09156-129	BRACKET - PUMP ATTACH
13	1	AN814-4D	PLUG
	1	MS28775-012	"O" RING
14	1	21A09746-001	UNION
	1	MS28775-012	"O" RING
15	1	AN815-4D	UNION
	1	MS28775-012	"O" RING
16	1	AN919-6D	UNION
	1	MS28775-014	"O" RING
17	1	9283K13	CAP PLUG
18	2	5/16-18 UNC-28 X .63	CAP SCREW - ATTACH
	2	MS35333-40	LOCK WASHER

PARTS MANUAL
2350 FLOATS ON CESSNA 172 &175 SERIES

ITEM	QTY	PART NO.	PART DESCRIPTION
	2	NAS1149F0563P	WASHER
19	2	21A04000-080	ASS'Y – BRAKE LINE (NOT SHOWN)
	2	63-190600-3	FITTING

HYDRAULIC PUMP ASSEMBLY POST SERVICE LETTER 228





**POWER PACK SCHEMATIC
 (RELAYS SHOWN IN RELAXED CONDITION)**

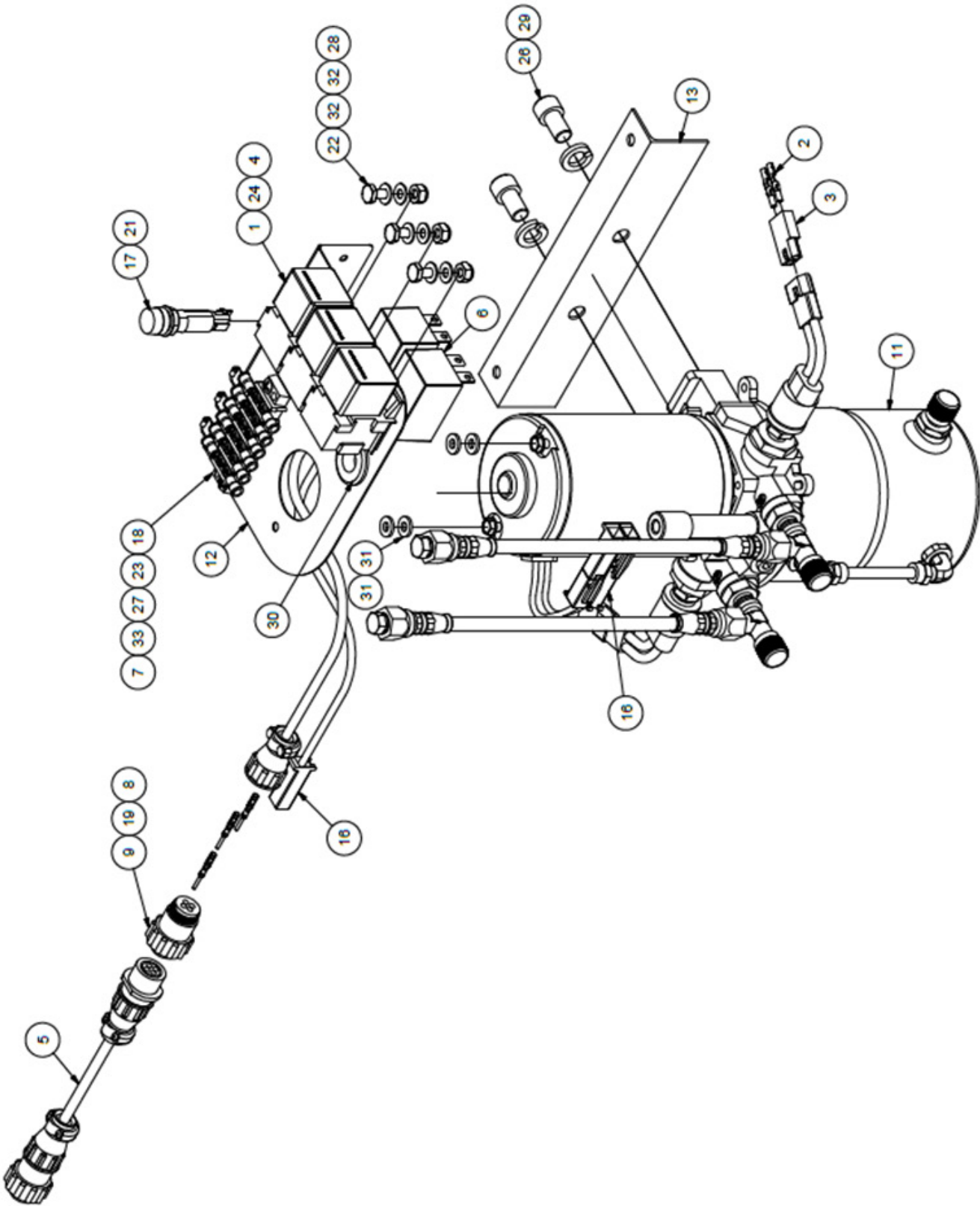
1. GE WIRES 20 GA
2. GA WIRES 12 GA

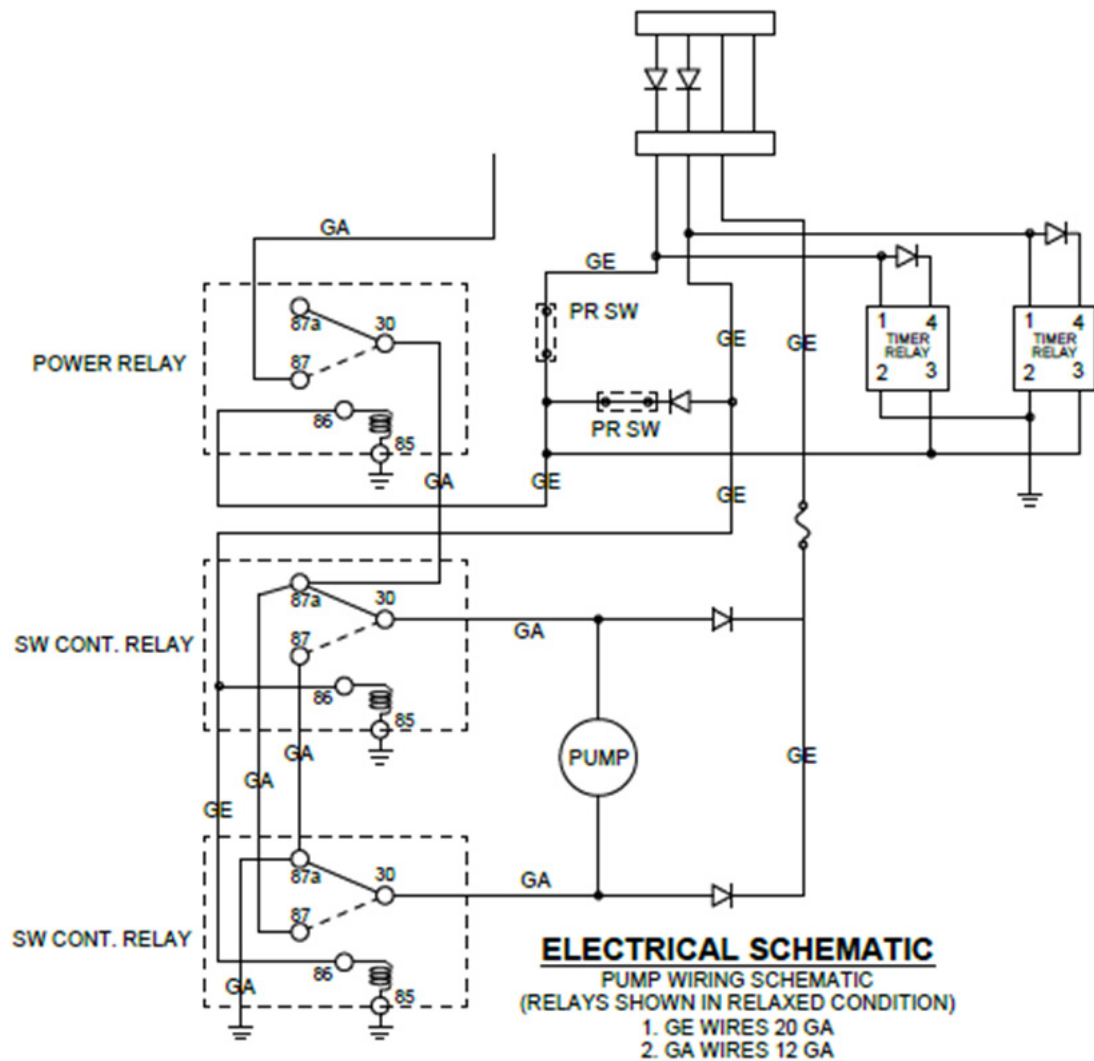
ITEM	QTY	PART NO.	PART DESCRIPTION
-	1	1011849	ASSEMBLY, HYDRAULIC POWER PACK, 12V
-	1	1011850	ASSEMBLY, HYDRAULIC POWER PACK, 24V
1	1	1009428	ASSEMBLY, SENSOR, FLUID LEVEL
	1	93786A200	PRESSURE SEALING WSHR, M12
2	2	1011062	ASSEMBLY, PLUG, PRESSURE SWITCH PORT
3	1	1011842	ANGLE, MOUNTING HYDRAULIC PUMP
	2	MS16997-96	SOCKET HEAD CAP SCREW, 3/8-16 THREAD
	2	MS35338-46	WASHER, SPLIT
4	1	1011845	ASSEMBLY, SUPPORT PLATE, HYDRAULIC POWER PACK, 12V
	1	1011846	ASSEMBLY, SUPPORT PLATE, HYDRAULIC POWER PACK, 24V
4.1	2	03-09-1022	CONNECTOR PLUG, MALE, 2 CONN.
	4	02-09-1104	PIN, CRIMP FEMALE, 1/8" DIA
4.2	1	1005042	TIMER RELAY HARNESS, 12VDC
	1	1005043	TIMER RELAY HARNESS, 24VDC
4.3	1	1009143-01	PLACARD, K1 INDICATOR
	1	1009143-02	PLACARD, K2 INDICATOR
	1	1009143-03	PLACARD, K3 INDICATOR
4.4	1	1009144-01	PLACARD, CR INDICATOR
4.5	1	1009144-02	PLACARD, AC INDICATOR
4.6	1	1011798	ASSEMBLY, CAPACITOR
	1	MS21919WDG10	CLAMP, LOOP, CUSHIONED, 5/8" TUBE OD
	1	AN3-3A	BOLT, 10-32, 0.063 GRIP, UNDRILLED, STEEL
	1	NAS1149F0332P	WASHER, 0.203 ID, 0.032 THK, STEEL
	1	MS21044N3	NUT, LOCKING, REGULAR HEIGHT, 10-32 UNF
4.7	1	1011843	TOP PLATE, HYDRAULIC PUMP
4.8	1	1011844	ELECTRONIC SIDE PLATE
4.9	1	206429-1	PLUG, MALE, CPC SIZE 1, 4 PIN
	3	66103-4	PIN, CRIMP SOCKET, 24-20 AWG
	1	206062-3	CLAMP, CABLE, CPC SIZE 11
4.10	1	206430-2	PLUG, FEMALE, CPC SIZE 1, 4 PIN
	3	66105-4	CRIMP SOCKET, FEMALE
	1	206062-3	CLAMP, CABLE, CPC SIZE 11
4.11	1	3453LF2A	FUSE HOLDER
	1	AGC-1	FUSE, 250V, 1 AMP
4.12	1	6-140	TERMINAL BLOCK, 6 CONNECTOR
	2	AN526C632R8	SCREW, MACHINE, TRUSS HEAD, 6-32 THREAD
	2	MS21044N06	NUT LOCKING, REGULAR HEIGHT, 6-32 UNC
	12	MS25036-102	RING TERMINAL, #6 STUD, 16-22 AWG, RED
	3	1N4004	DIODE
4.13	1	73F-250-32-NL	CONNECTOR, FEMALE, 10-12 AWG, FULLY INSULATED
4.14	1	73M-250-32-NL	CONNECTOR, MALE, 10-12 AWG, FULLY INSULATED

PARTS MANUAL
2350 FLOATS ON CESSNA 172 &175 SERIES

ITEM	QTY	PART NO.	PART DESCRIPTION
4.15	3	BR05-FW	SOCKET, 5 PRING, PLASTIC
	14	1-901-355-917	TERMINAL
	3	AN3-3A	BOLT, 10-32, 0.063 GRIP, UNDRILLED, STEEL
	6	NAS1149F0332P	WASHER, 0.203 ID, 0.032 THK, STEEL
	3	MS21044N3	NUT, LOCKING, REGULAR HEIGHT, 10-32 UNC
4.16	1	MS35489-9	GROMMET, RUBBER (NOT SHOWN)
4.17	1	MS35489-14	GROMMET, RUBBER
4.18	3	V23234- A0001-X032	RELAY, PRONG, 12V
	3	0-332-209-211	RELAY, 5 PRONG, 24V
5	1	1011847	ASSEMBLY, HYDRAULIC RESERVOIR
5.1	1	1011848	PLACARD, OIL LEVEL
5.2	1	1EJT7	BREATHER VENT
5.3	1	AN816-4D	NIPPLE, FLARED TUBE AND PIPE THREAD
5.4	2	LSP151-04-01	LIQUID LEVEL SIGHT PLUG
6	1	20PS001EB 700W50OW	PRESSURE SWITCH
	2	03-09-2022	CONNECTOR, PLUG, FEMALE
	4	02-09-2118	PIN, CRIMP MALE, 1/8" DIA.
7	4	AN3-16A	BOLT, 10-32, 1.375 GRIP, UNDRILLED, STEEL
8	2	AN919-3D	FITTING, REDUCER
	2	MS28775-013	O-RING, HYDRAULIC
9	4	MS21044N3	NUT, LOCKING, REGULAR HEIGHT, 10-32 UNF
10	2	MS25036-157	RING TERMINAL, 1/4 STUD, 10-12 AWG, YELLOW
11	2	NAS1149F0332P	WASHER, 0.203 ID., 0.032 THK, STEEL
12	5	NAS1149F0363P	WASHER, 0.203 ID, 0.063 THK, STEEL
13	2	NAS1149F0432P	WASHER, 0.265 ID, 0.032 THK, STEEL
14	1	YBZS- C0.63W1T100K/ UVZOT2	HYDRAULIC PUMP, 12VDC
	1	YBZS- C0.63W2T100K/ UVZOT2	HYDRAULIC PUMP, 24VDC

HYDRAULIC PUMP ASSEMBLY PRE SERVICE LETTER 228

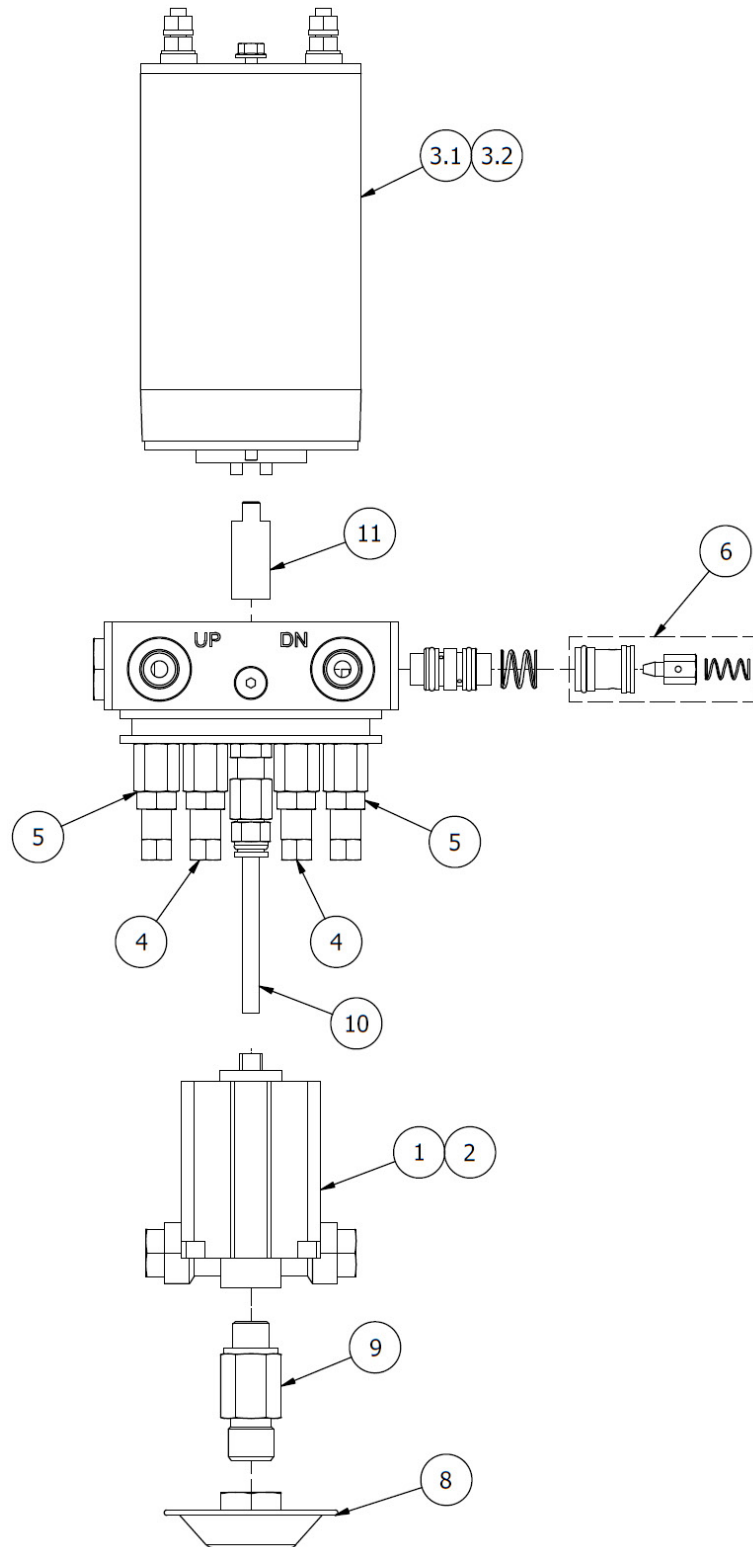




ITEM	QTY	PART NO.	PART DESCRIPTION
1	3	0-332-209-137	RELAY, 12V, 5 PRONG
	3	0-332-209-211	RELAY, 24V, 5 PRONG
2	4	02-09-1104	PIN, CRIMP FEMALE, 1/8" DIA
3	2	03-09-1022	CONNECTOR PLUG, MALE, 2 CONN.
4	14	1-901-355-917	TERMINAL
5	1	1004949	CABLE, DIODE ADAPTOR
6	1	1005042	TIMER RELAY HARNESS
7	3	1N4004	DIODE, 2-1/2"
8	2	206062-3	CLAMP, CABLE, CPC SIZE 11
9	1	206429-1	PLUG, MALE, CPC SIZE 1, 4 PIN
10	1	206430-2	CPC FREE HANG, 4 PIN, FEMALE
11	1	21A09000-215	ASSEMBLY, HYDRAULIC PUMP, 12V
	1	21A09000-282	ASSEMBLY, HYDRAULIC PUMP, 24V
12	1	21A09005-264	SUPPORT, HYD. PUMP ATTCH

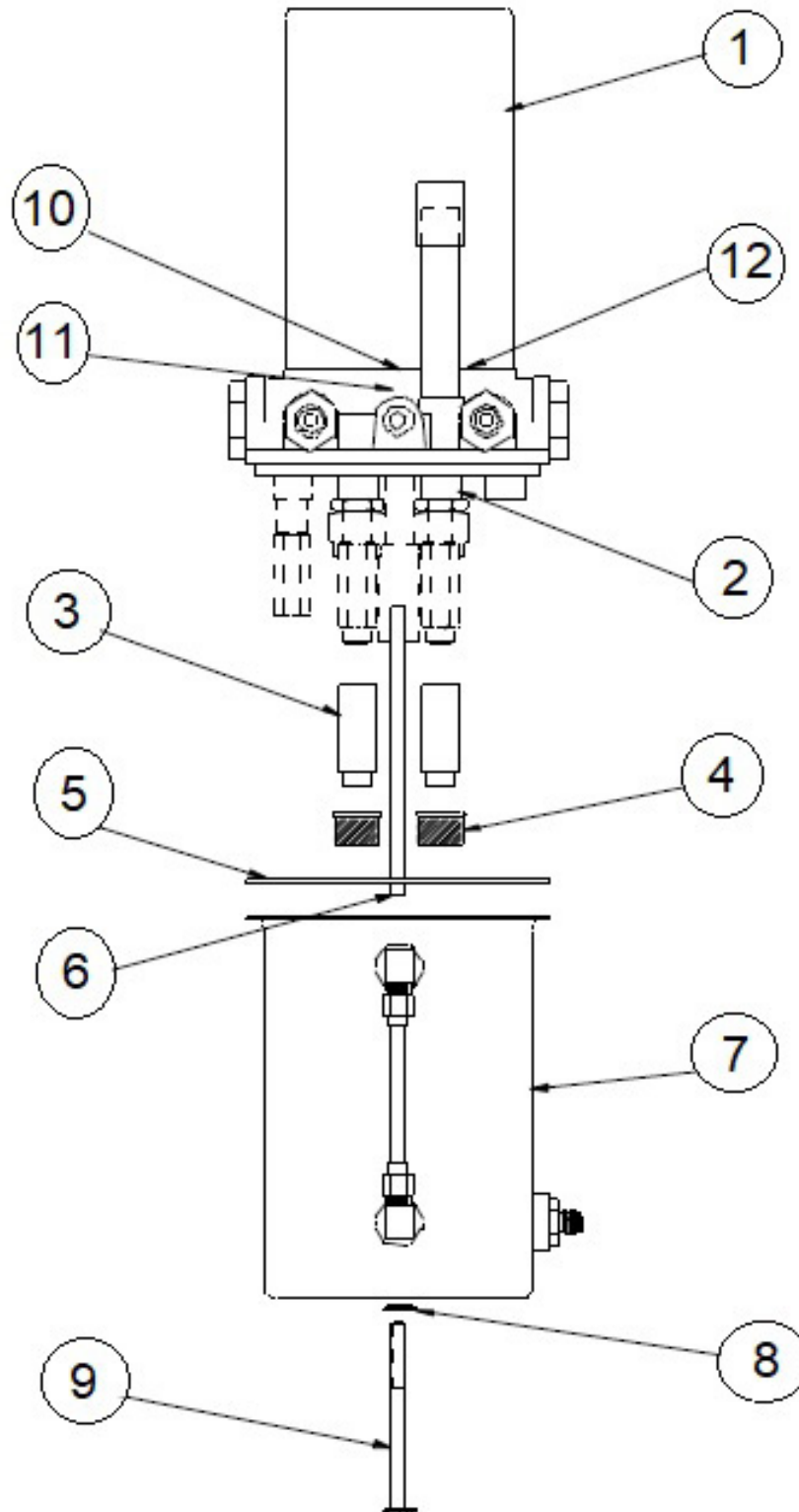
ITEM	QTY	PART NO.	PART DESCRIPTION
13	1	21A09352-030	ANGLE, MOUNTING, HYD. PUMP
14	6 FT	22759-16-12-9	WIRE, 12 AWG, WHITE
15	10.1 FT	22759-16-20-9	WIRE, 20 AWG, WHITE
16	1	73F-250-32-NL	CONNECTOR, FEMALE, 10-12 AWG
	1	73M-250-32-NL	CONNECTOR, MALE, 10-12 AWG
17	1	3453LF2A	FUSE HOLDER
18	1	6-140	TERMINAL BLOCK, 6 CONNECTOR
19	3	66103-4	PIN, CRIMP SOCKET, 24-20G
20	3	66105-4	CRIMP SOCKET, FEMALE
21	1	AGC-1	FUSE, 250V, (S2565-1)
22	3	AN3-3A	BOLT
23	2	AN526-632R8	SCREW, MACHINE, TRUSS HEAD
24	3	BR05FW	SOCKET, 5 PRONG, PLASTIC
25	1.5 FT	HS105-3/16-0	HEAT SHRINK, TUBING, BLACK
26	2	MS16997-96	SOCKET HEAD CAP SCREW
27	2	MS21044N06	NUT
28	3	MS21044N3	NUT, LOCKING, REGULAR HEIGHT, 10-32 UNF
29	2	MS35338-46	WASHER, SPLIT
30	1	MS35489-14	GROMMET, RUBBER
31	4	NAS1149D0363J	WASHER, 0.203 ID, 0.063 THK, ALUMINUM
32	6	NAS1149F0332P	WASHER

HYDRAULIC PUMP OVERVIEW POST SERVICE LETTER 228



ITEM	QTY	PART NO.	PART DESCRIPTION
1	1	202-0003	BI-DIRECTIONAL PUMP, 0.64 ML/R
2	1	299-0008	SEAL KIT, BI-DIRECTIONAL GEAR PUMP
3.1	1	610-0010	DC MOTOR, 12V, .8KW
3.2	1	610-0017	DC MOTOR, 24V, .8KW
4	2	631-0005	PRESSURE RELIEF VALVE
5	2	631-0006	THERMAL RELIEF VALVE
6	2	632-0004	ASSEMBLY, PILOT OPERATED CHECK VALVE
7	1	637-0024	SHUTTLE VALVE
8	1	682-0019	FILTER, PICKUP TUBE, HYDRAULIC PUMP
9	1	682-0055	SUCTION HEX TUBE
10	1	682-0056	RETURN TUBE
11	1	683-0011	COUPLING, MOTOR TO PUMP
12	2	685-0012	SPRING, SHUTTLE VALVE
13	11	687-0001	SEAL KIT, RESERVIOR O-RING, PILOT OPERATED RELIEF VALVE O-RING, THERMAL AND PRESSURE RELIEF VALVE O-RING (NOT SHOWN)

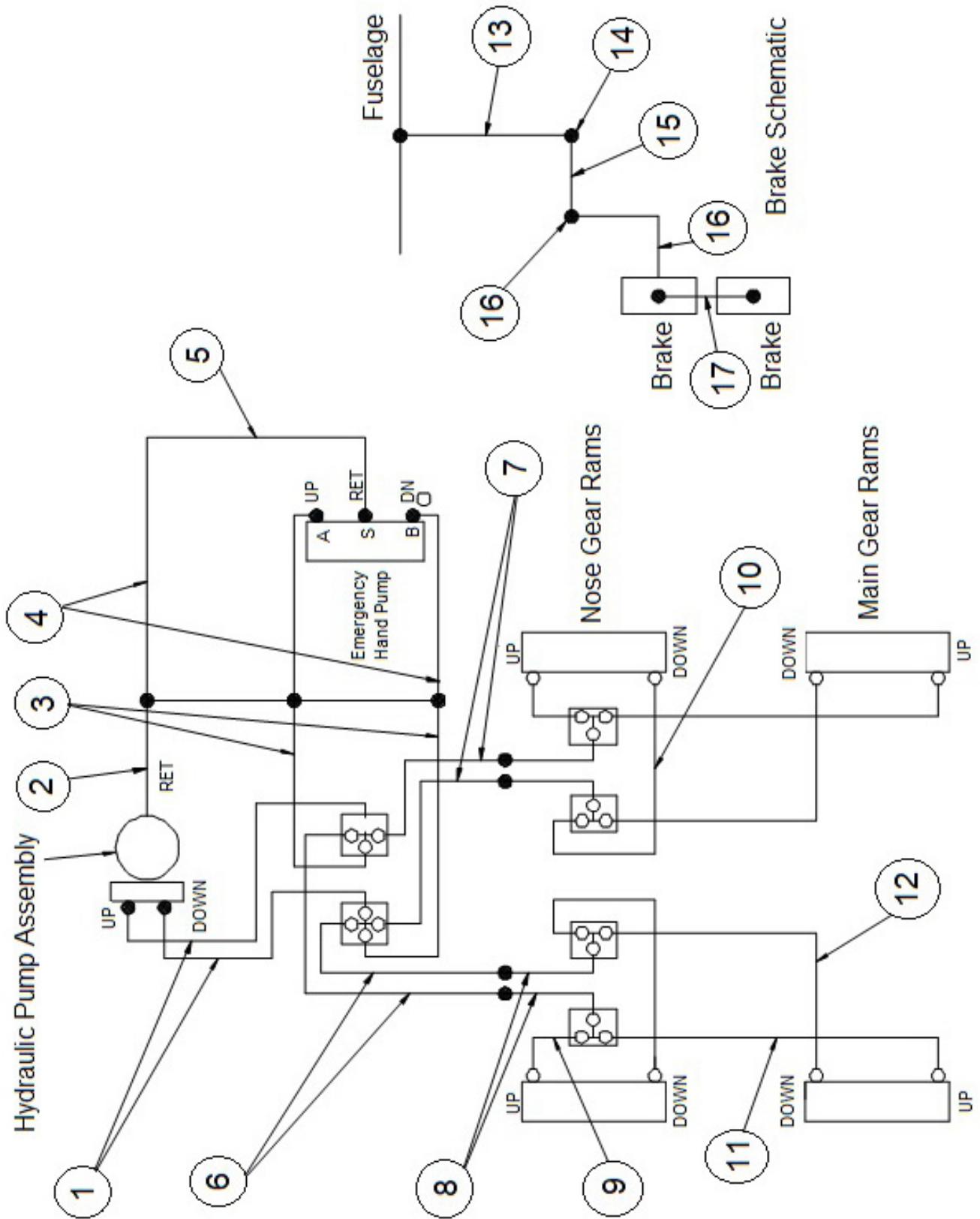
HYDRAULIC PUMP OVERVIEW PRE SERVICE LETTER 228



ITEM	QTY	PART NO.	PART DESCRIPTION
1	1	21A09000-215	HYDRAULIC PUMP ASS'Y (12V)
	1	21A09000-282	HYDRAULIC PUMP ASS'Y (24V)
	1	640661	MOTOR (12V)
	1	641131	MOTOR (24V)
2	1	634873	BASIC PUMP
3	2	362136	TUBE EXTENSIONS
4	2	410521*	FILTER
5	1	410578*	SEAL RESERVIOR
6	1	365047	RETURN TUBE
7	1	775260	RESERVIOR – GAUGE ASS'Y
8	1	415067	SEAL THREAD
9	1	409715*	SCREW – RESERVIOR ATTACH
10	1	361183*	COUPLING – MOTOR TO PUMP
11	1	410512	SEAL – PUMP SHAFT
12	1	405673	“O” RING MOTOR TO BASE

*Reference Wipaire drawing 1011065 for alternate part numbers.

HYDRAULIC SCHEMATIC



ITEM	QTY	PART NO.	PART DESCRIPTION
1	2	21A09000-197	ASSY, HOSE, MAIN PUMP TO MANIFOLD, 18"
2	1	21A09000-201	ASSY, HOSE, LWR RES FITTING TO FW, 18"
3	2	21A09000-200	ASSY, HOSE, FIREWALL TO MANIFOLD, 8"
4	2	21A09000-202	ASSY, HOSE, FIREWALL TO HAND PUMP, 60"
5	1	21A09000-203	ASSY, HOSE, FIREWALL TO HAND PUMP 40"
6	2	21A09000-198	ASSY, HOSE, LH FLOAT TO MANIFOLD 74"
7	2	21A09000-199	ASSY, HOSE RH FLOAT TO MANIFOLD 62"
8	4	21A09000-222	ASSEMBLY, HOSE – TEE TO TOP UP – DN
9	2	23A09000-235	HYD. LINE ASSY.
10	2	23A09000-236	HYD. LINE ASSY.
11	2	23A09000-237	HYD. LINE ASSY.
12	2	23A09000-238	HYD. LINE ASSY.
13	2	21A04000-080	TOP DECK FLOAT TO FUS., BRAKE
	2	63-190600-3	FITTING – ENDS
14	2	AN833-3D	FITTING – ELBOW
	4	NAS1149D0663J	WASHER
	2	AN924-3D	JAM NUT
15	2	21A04000-079	ALUM BRAKE LINE
16	2	21A04000-078	HYD. LINE ASSY. WHEEL WELL BRAKE LINE
17	2	23A04000-118	BRAKE LINE ASS'Y

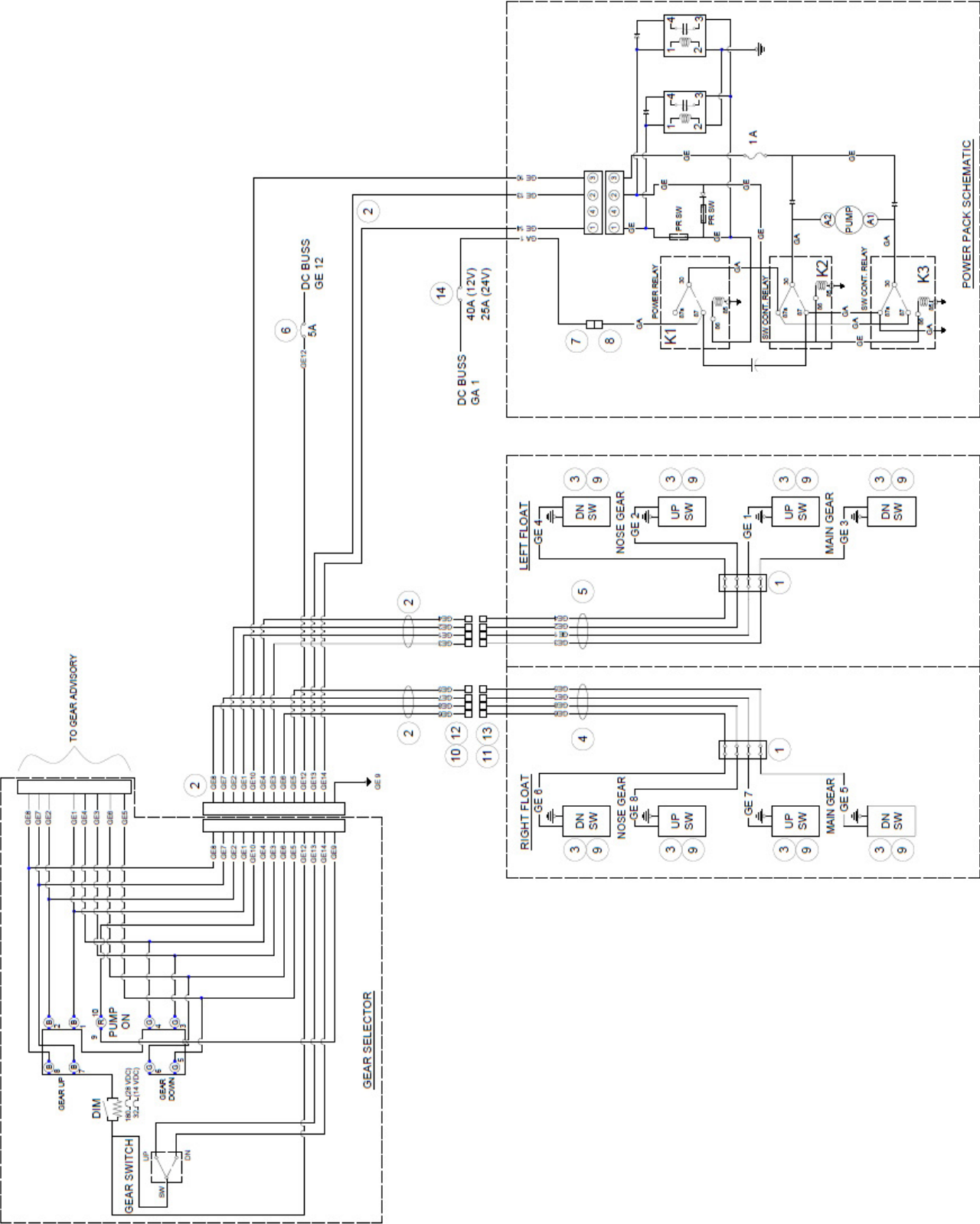
SECTION 11

ELECTRICAL

CONTENTS

ELECTRICAL SCHEMATIC POST SERVICE LETTER 228	120
ELECTRICAL SCHEMATIC PRE SERVICE LETTER 228.....	122
GEAR CONTROL (ROUND).....	124
GEAR CONTROL (RECTANGLE).....	127
GEAR CONTROL (G1000 ONLY).....	129

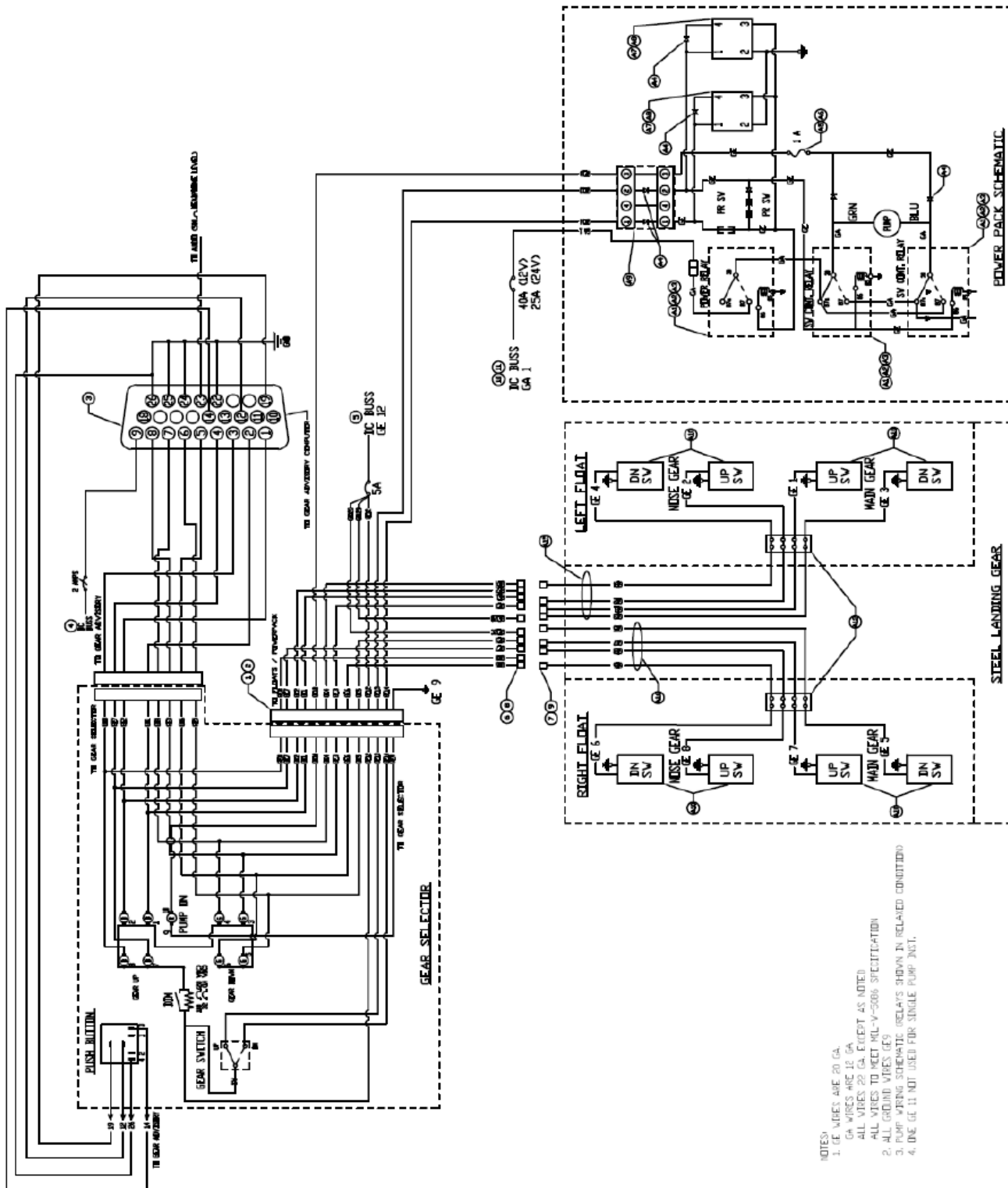
ELECTRICAL SCHEMATIC POST SERVICE LETTER 228



PARTS MANUAL
2350 FLOATS ON CESSNA 172 &175 SERIES

ITEM	QTY	PART NO.	PART DESCRIPTION
1	4	1005724	GEAR POSITION SWITCH, PROXIMITY, 3 WIRE
2	4	1006668	ELECTRIC WATER RUDDER RETRACT SOLENOID
3	2	4-140	TERMINAL BLOCK, 4 POSITION
4	1	4A11000-012	WIRE HARNESS, GEAR SELECTOR, FLOATS, HYD. PUMP
5	8	5801	GEAR POSITION SWITCH, PROXIMITY, MAGNETIC
6	2	6-140	TERMINAL BLOCK, 6 POSITION
7	1	6A10000-004	WIRE HARNESS, LEFT FLOAT
8	1	6A10000-005	WIRE HARNESS, RIGHT FLOAT
9	1	7277-2-5	CIRCUIT BREAKER, 5 AMP
10	1	73F-250-32-NL	CONNECTOR, FEMALE, 12-10 AWG
11	1	73M-250-32-NL	CONNECTOR, MALE, 12-10 AWG
12	8	21A09005-262	CLIP, GEAR POSITION SWITCH HOLDER
13	1	MS24523-21	TOGGLE SWITCH, ELECTRIC WATER RUDDER RETRACT
14	8	S1635-1	PIN
15	8	S1636-1	SOCKET
16	8	S1637-1	HOUSING
17	8	S1637-2	HOUSING
18	1	W23-X1A1G-25	CIRCUIT BREAKER, 25 AMP, 24VDC
19	1	W23-X1A1G-40	CIRCUIT BREAKER, 40 AMP, 12VDC

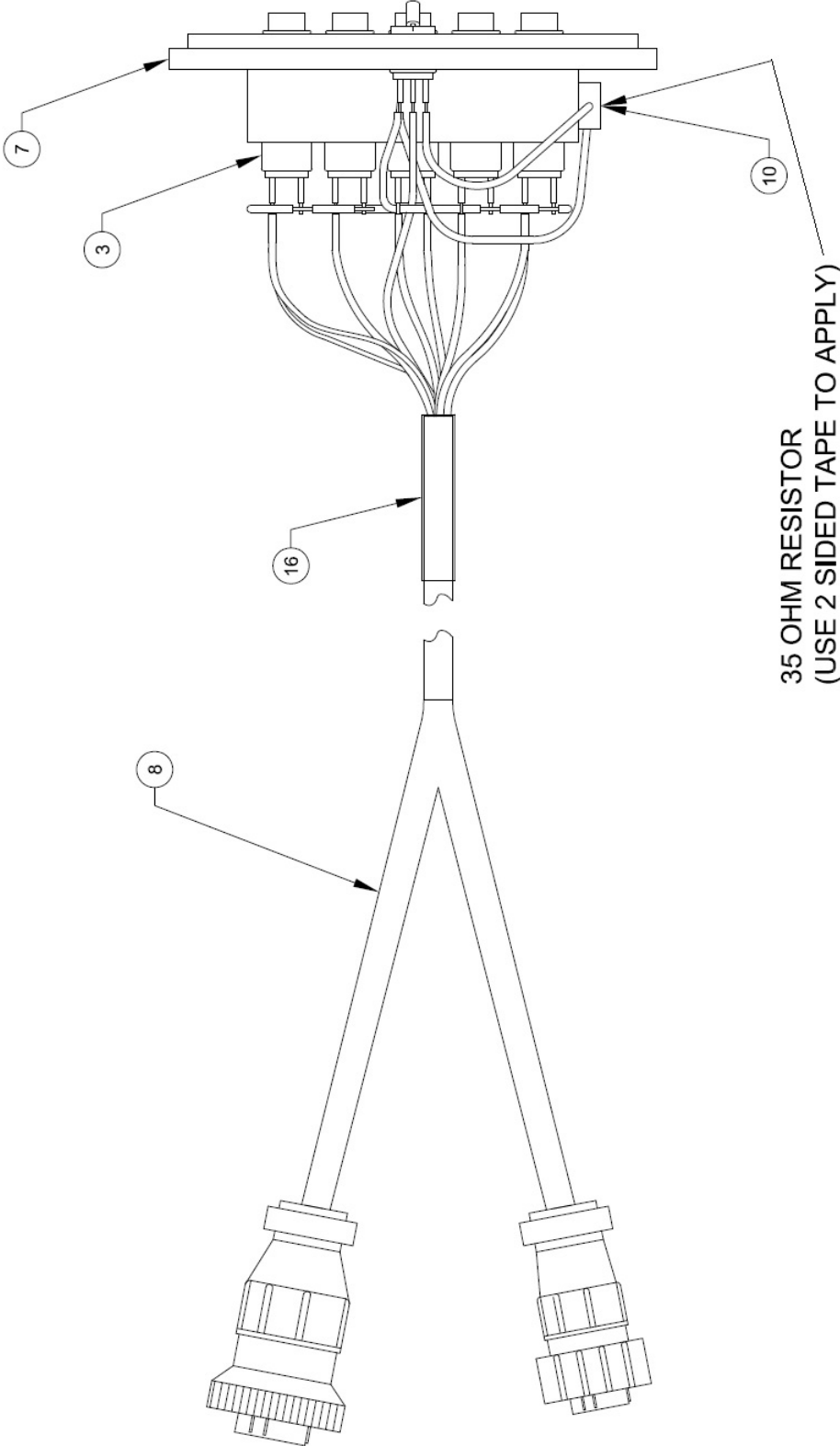
ELECTRICAL SCHEMATIC PRE SERVICE LETTER 228

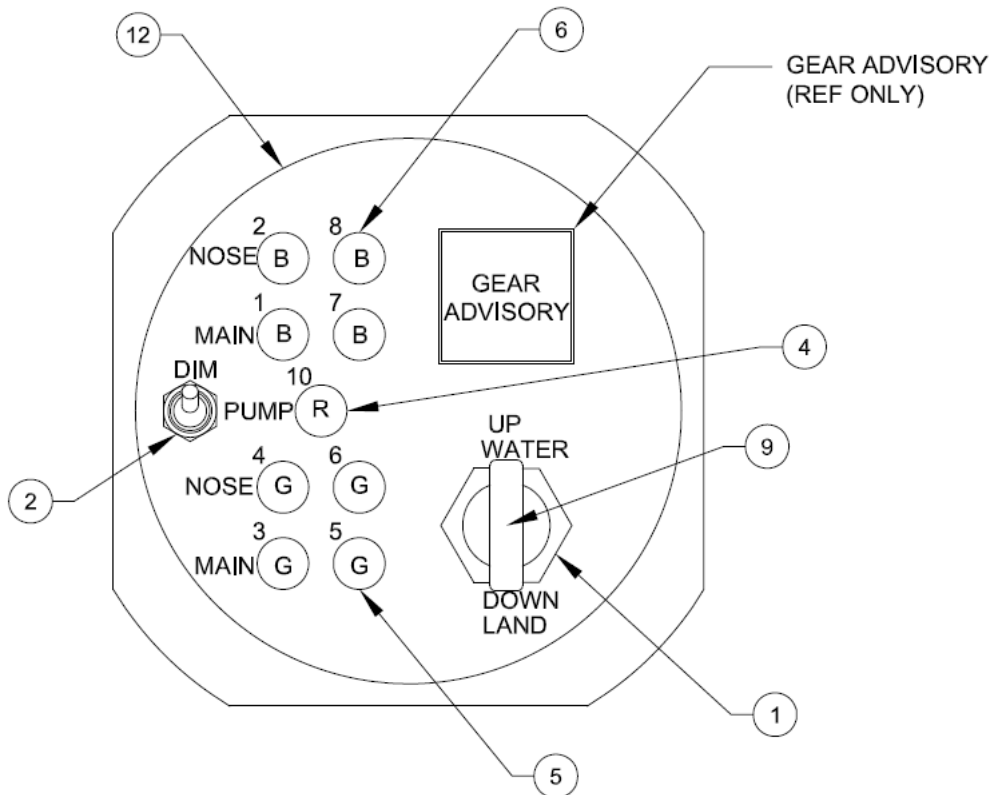
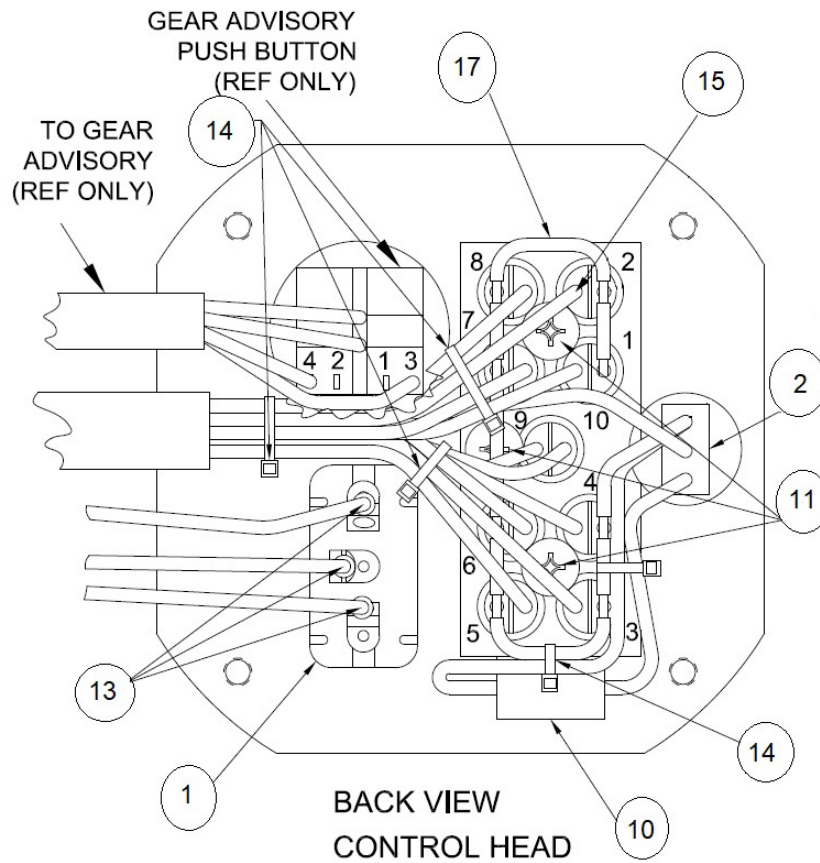


PARTS MANUAL
2350 FLOATS ON CESSNA 172 &175 SERIES

ITEM	QTY	PART NO.	PART DESCRIPTION
1	1	4A11000-011	ASSY, WIRING HARNESS, GEAR SELECTOR
3	1	4A11000-014	ASSY, WIRING HARNESS, GEAR ADVISORY
4	1	7277-2-2	BREAKER, CIRCUIT, KLIXON, 2AMP
5	1	7277-2-5	BREAKER, CIRCUIT, KLIXON, 5AMP
6	8	S1635-1SF	PIN
7	8	S1636-1	SOCKET
8	8	S1637-1	HOUSING
9	8	S1637-2	HOUSING
10	1	W-23- X1A1G-25	BREAKER, CIRCUIT, 25AMP
11	1	W-23-X1A1G-40	BREAKER, CIRCUIT, 40AMP
A1	3	0-332-209-211	RELAY 12V
A2	3	0-332-209-137	RELAY 24V
A3	3	BR05FW'	RELAY SOCKET
A4	7	1N4004	DIODE
A5	1	AGC-1	FUSE 1 AMP
A6	1	3453LF2A	FUSE HOLDER
A7	2	1005042	ASSEMBLY, TIMER RELAY 12V
A9	1	1004949	DIODE CABLE ADAPTOR
A10	8	5801	SWITCH, 2 WIRE
A12	2	4-140	ELECTRICAL TERMINAL, 4 CONNECT
A15	1	6A10000-004	HARNESS W'IRE, FLOATS LT
A16	1	6A10000-005	HARNESS W'IRE, FLOATS, RT

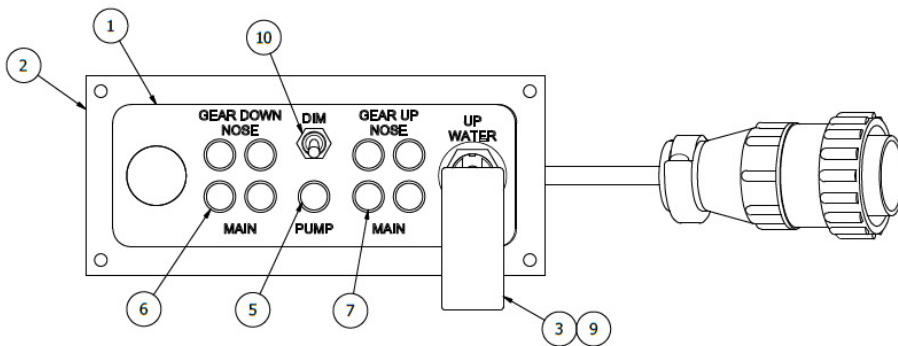
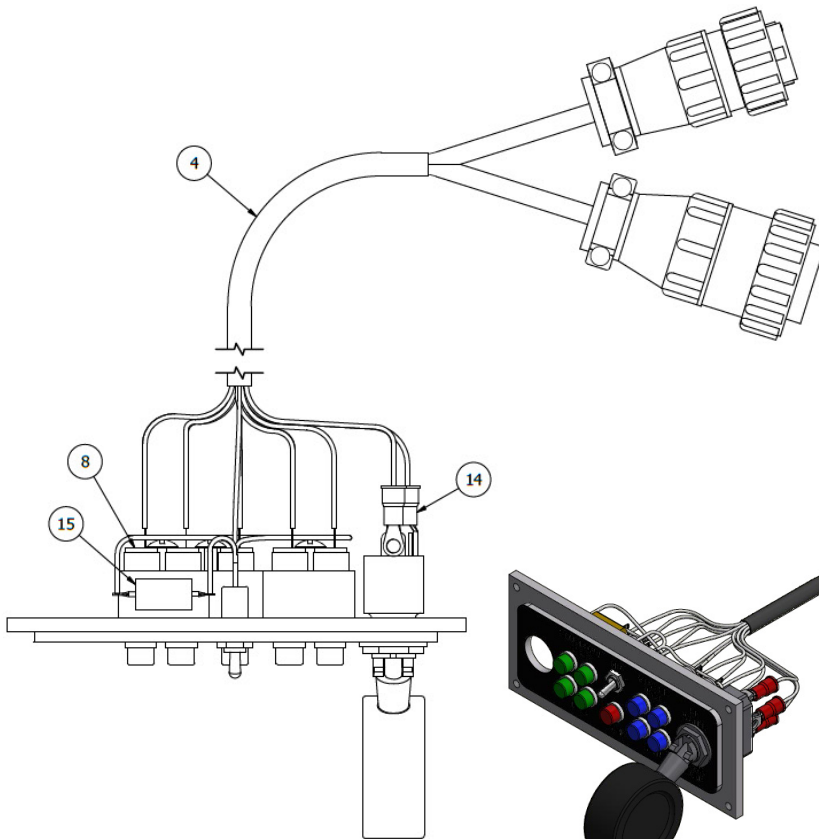
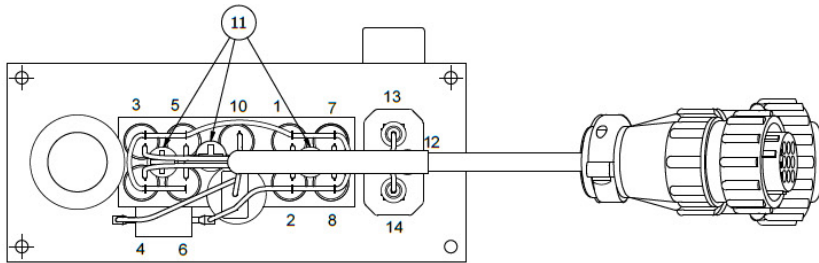
GEAR CONTROL (ROUND)





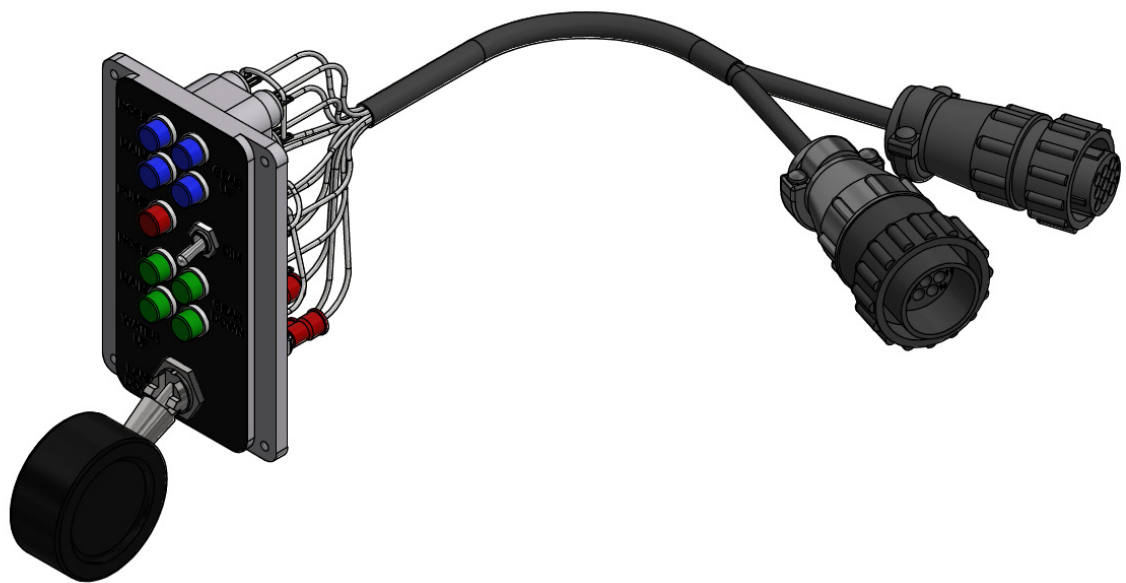
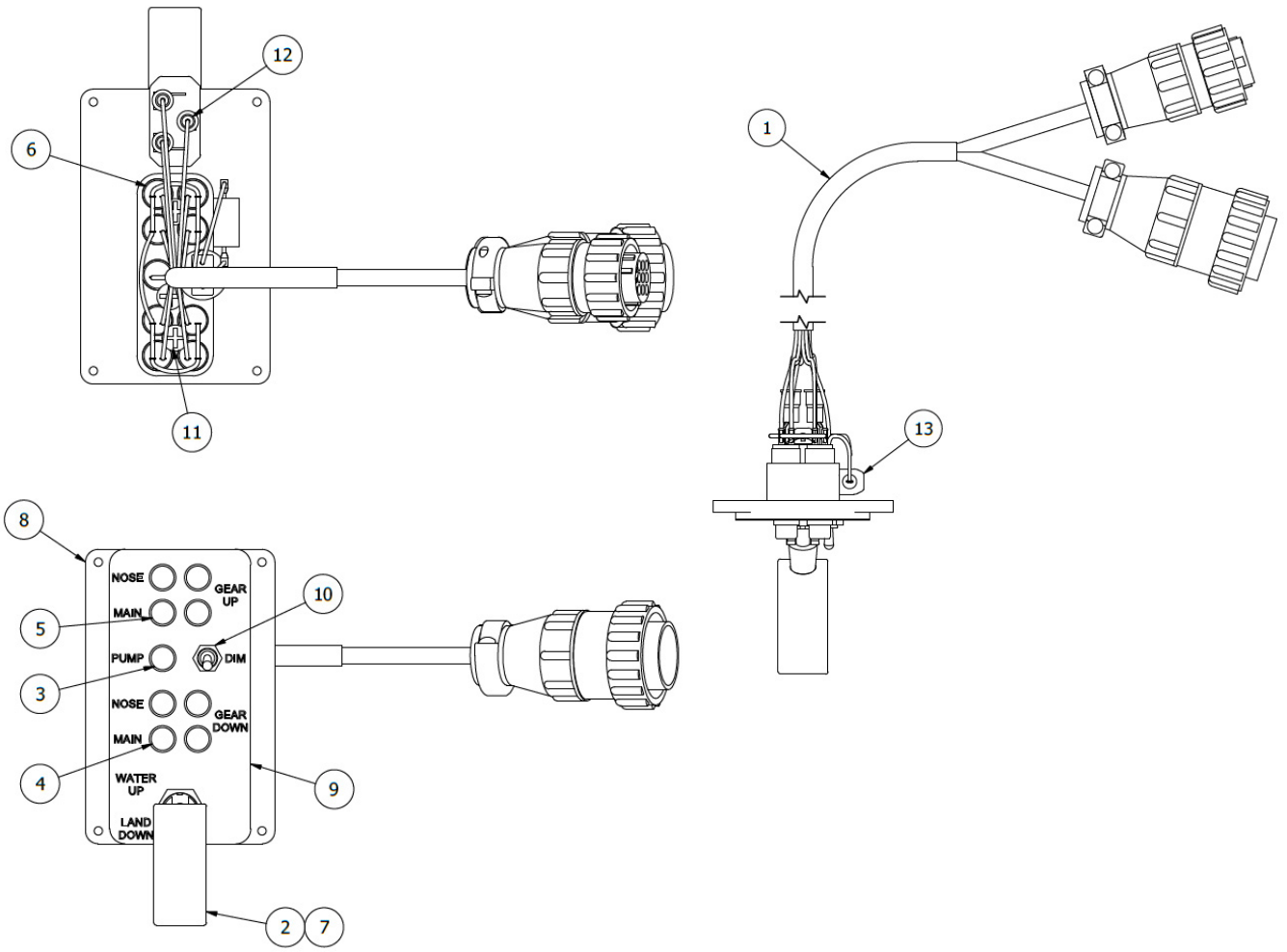
ITEM	QTY	PART NO.	PART DESCRIPTION
-	1	21A11000-009	GEAR SELECTOR ASSY. ROUND (12V)
-	1	21A11000-019	GEAR SELECTOR ASSY. ROUND (24V)
1	1	8857K44	SWITCH
2	1	A101SYCB	TOGGLE SWITCH, SPDT, ON-ON
3	9	515-0012	SOCKET
4	1	507-3914-1431-600	INDICATOR LAMP, 14V, RED
	1	507-3918-1431-600	INDICATOR LAMP, 28V, RED
5	4	507-3914-1432-600	INDICATOR LAMP, 14V, GREEN
	4	507-3918-1432-600	INDICATOR LAMP, 28V, GREEN
6	4	507-3914-1434-600	INDICATOR LAMP, 14V, BLUE
	4	507-3918-1434-600	INDICATOR LAMP, 28V, BLUE
7	1	21A11179-001	BLOCK, GEAR CONTROL
8	1	4A11000-008	HARNESS ASSEMBLY, GEAR SELECTOR
9	1	21A11259-003	GEAR SWITCH KNOB
10	1	RH-5-35	RESISTOR, 14V, DALE RH5 5W
	1	RH-5-180	RESISTOR, 28V, DALE RH5 5W
11	3	AN526-632R8	SCREW, TRUSS HEAD, 6-32
12	1	10B3-6202	PLACARD, ROUND 2100 GEAR SELECTOR
13	3	R-3	RING CONNECTOR, #6, 20 AWG, RED
14	5	PLT1M-M	CABLE TIE
15	16 IN	HIXR-3/16	SHRINK WRAP, 3/16, WHITE
16	3 IN	HS105-1/2-0	HEAT SHRINK TUBING
17	6 IN	22759-16-20-9	WIRE, 20 AWG, WHITE

GEAR CONTROL (RECTANGLE)



ITEM	QTY	PART NO.	PART DESCRIPTION
-	1	21A11000-010	ASSEMBLY, INDICATOR, GEAR CONTROL, SQUARE, 12V
-	1	21A11000-018	GEAR SELECTOR ASSY. RECTANGLE (24V)
1	1	10B3-6277	PLACARD, GEAR CONTROL SQUARE
2	1	21A11179-002	BLOCK GEAR CONTROL SQUARE
3	1	21A11259-003	GEAR SWITCH KNOB
4	1	4A11000-008	WIRING HARNESS ASSY. SELECTOR
	3 IN	HS105-1/2-0	HEAT SHRINK TUBING
5	1	5073914-1431-600	LAMP LIGHT, RED 14V
		507-3918-1431-600	INDICATOR LAMP, 28V, RED
6	4	5073914-1432-600	LAMP LIGHT, GREEN 14V
		507-3918-1432-600	INDICATOR LAMP, 28V, GREEN
7	4	5073914-1434-600	LAMP LIGHT, BLUE, 14V
		507-3918-1434-600	INDICATOR LAMP, 28V, BLUE
8	9	515-0012	SOCKET
9	1	8857K44	SWITCH
10	1	A101SYCB	TOGGLE SWITCH
11	3	AN526-632R8	SCREW, TRUSS HEAD MACHINE, 6-32 THREAD, 1/2" LENGTH
12	12"	HS105-3/32-0	HEAT SHRINK, TUBING - BLACK
13	3	PLT1M-M	CABLE TIE, NYLON, WHITE, 4" (SMALL)
14	3	R-3	TERMINAL, RING #6 STUD, 16-22 AWG, RED
15	1	RH-5-35	RESISTOR, 14V, DALE RH5 5W
	1	RH-5-180	RESISTOR, 28V, DALE RH5 5W
16	6 IN	22759-16-20-9	WIRE, 20AWG, WHITE (NOT SHOWN)
17	16 IN	HIXR-3/16	SHRINK WRAP, 3/16, WHITE (NOT SHOWN)

GEAR CONTROL (G1000 ONLY)



ITEM	QTY	PART NO.	PART DESCRIPTION
-	1	1001431	ASSEMBLY, INDICATOR, GEAR CONTROL, G1000
1	1	4A11000-008	ASSEMBLY, WIRE HARNESS
2	1	21A11259-003	GEAR SWITCH KNOB
3	1	507-3918-1431-600	INDICATOR LAMP, 28V, RED
4	4	507-3918-1432-600	INDICATOR LAMP, 28V, GRN
5	4	507-3918-1434-600	INDICATOR LAMP, 28V, BLU
6	9	515-0012	SOCKET, GEAR SELECTOR LIGHTS
7	1	8857K44	SWITCH, GEAR SELECTOR, 2100/7000
8	1	1001172	BLOCK, GEAR CONTROL, GLASS PANEL
9	1	1001173	PLACARD, GEAR CONTROL, GLASS PANEL
10	1	A101SYCB	TOGGLE SWITCH, SPDT, ON ON
11	3	AN526-632R6	SCREW, MACHINE, TRUSS HEAD
12	3	MS25036-102	RING TERMINAL, #6 STUD, 16-22 AWG, RED
13	1	RH005180R0FE02	RESISTOR, 28V