



WIPLINE FLOATS • SKIS • MODIFICATIONS • AIRCRAFT SALES  
AVIONICS • INTERIOR • MAINTENANCE • PAINT REFINISHING



**PARTS MANUAL  
FOR  
WIPLINE MODEL 3000 FLOATS  
ON  
CESSNA 182**

**Revision U**

1700 Henry Ave. - Fleming Field (KSGS), South St. Paul, MN 55075  
Ph: 651.451.1205 Fax: 651.457.7858  
[www.wipaire.com](http://www.wipaire.com)

THIS PAGE INTENTIONALLY LEFT BLANK

### LOG OF REVISIONS

Revision	Pages Affected	Description	Date
A-K	All	For previous revision changes, reference Parts Manual for 3000 Floats on Cessna 182 Revision K part number 1002171.	3/31/2016
L	14-17, 22-23, 26-27, 30, 43-49, 52, 54, 64, 78-81, 88, 104	Changed Bracket, Canoe Paddle 1002114 to 3A01158-093. Added doublers 34A01150-147, 34A01150-148, 1005715, and 1005716 to Hull Assembly. Changed Tinnerman Tape 9A3-671 to 1002481 and changed Screw – Attach #8 X 5/8 to 8/32 X 5/8IN in Top Skin Hull section. Updated drawing and changed Water Rudder Post Assembly 3A08000-096 to 8A08000-098 and changed Cable Roller hardware part numbers and quantities in Water Rudder Installation section. Changed Nut H10-3 to NAS679A3W and Bolt 1032 X 2" SS to 1032 X 2INCH SS. Updated drawing and parts for Nose Gear Retraction Assembly. Changed Anti Rotation Pin 21A06476-003 to 3A06476-001. Changed Hamlin Magnetic Switch 59135-20 to 5801 in Main Gear Hydraulic Installation section. Changed Sealing Washer 93783A035 to 93781A035. Changed Ball Joint Rod End-Female 59915K273 to 59915K274. Removed Wire AN676AC-59.75 because part is not stocked. Connector Assembly 2601048-200 no longer available, replaced with Female Connector 73F-250-32-NL and Male Connector 73M-250-32-NL.	11/4/2019
N	All	Reformatted manual in new software. Updated sections and created new drawings for bulkhead assemblies. Created sections for skins. Added 3A07005-178 Clip, Switch, Nose & Main to Nose Gear Retraction Assembly. Updated Main Gear Retraction drawing and added Grease Wheel Insert, O-Ring, and Common Greasezerk to parts list. Updated drawing for Gear Control (Rectangle) and the parts list.	3/13/2020
P	34-41, 73	Updated stiffeners and skins. Changed Spring, Nose Gear 21A06653-001 to 30A06655-001.	6/30/2020
R	All	Added note about nose and main gear tire/tube. Changed bolt NAS6210-52 to 30A05702-020 in Main Gear Installation. Added sections for Pre/Post Service Letter 231 for Hydraulics and Electrical. Updated Hydraulic Pump Installation image and parts list. Updated Hydraulic Pump Overview image and parts list. Updated Hydraulic Pump Assemblies 1011850 and 1011878 and 1011879 images and parts lists. Added note about Wipaire drawing 1011065 for alternate part numbers in Hydraulic Pump Overview. Updated Electrical Schematic image and parts list. Added G100 Gear Selector image and parts list. Changed part numbers R-3 to MS25036-102 and HS105-3/16-0 to MS23053/5-105-0 and HIXR-3/16 to MS23053/5-105-0 and HS105-1/2-0 to MS23053/5-108-0 and HS105-3/32-0 to MS23053/5-103-0 in Hydraulic Pump Assembly and Round Gear Selector sections.	5/10/2021
T	All	Changed 010-026 Seal to 471570 Seal, Timken. Changed Brake Disc 164-24500 to 164-24501.	2/14/2022
U	60-62, 79, 83	Updated Water Rudder Installation image and parts list. Updated part 30A05558-001 and added 1005973 in Main Gear Installation and Main Gear Hydraulic Installation sections. Added note for 1002573. Added image and parts list for Main Gear Without Wheel Pivot Assembly For Float Serial Numbers 30307A & 30308A And Later section. Added image and parts list for Main Gear With Wheel Pivot Assembly For Float Serial Numbers 30307A & 30308A And Later section.	9/6/2022

View most current version of parts manual at [www.wipaire.com](http://www.wipaire.com).

THIS PAGE INTENTIONALLY LEFT BLANK

## TABLE OF CONTENTS

FLOAT PART SALES DEPARTMENT OPERATIONS .....	6
INTRODUCTION .....	7
SECTION 1 HULL BULKHEAD ASSEMBLIES .....	9
SECTION 2 WHEEL WELL ASSEMBLY .....	27
SECTION 3 SKINS, STIFFENERS, & PADDLE .....	33
SECTION 4 TOP DECK ASSEMBLY .....	43
SECTION 5 EXTRUSIONS .....	51
SECTION 6 PUMPER TUBE INSTALLATION .....	57
SECTION 7 WATER RUDDER, STEERING, AND RETRACT CABLES .....	59
SECTION 8 LANDING GEAR .....	69
SECTION 9 STRUTS, WIRES, STEPS, AND SPREADER BARS .....	101
SECTION 10 HYDRAULIC SYSTEM .....	111
SECTION 11 ELECTRICAL .....	137
SECTION 12 RUDDER & VENTRAL FIN .....	149

## FLOAT PART SALES DEPARTMENT OPERATIONS

### Parts Sales:

Wipaire, Inc.

1700 Henry Avenue – Fleming Field

South St. Paul, MN 55075

Telephone: (651) 306-0459

Fax: (651)-306-0666

Website: [www.wipaire.com](http://www.wipaire.com)

Email: [customerservice@wipaire.com](mailto:customerservice@wipaire.com)

**Note:** Any information not found in this manual for strut package parts and other installation items refer to the installation drawing package provided with the STC at the time of float installation. Additional drawing copies are available for purchase through the Wipaire Customer Service Department.

### Parts Ordering

Purchase orders should include:

1. Purchase order number
2. Name of person placing order
3. Invoicing information:
  - a. Customer name - company or individual
  - b. Address
  - c. Phone and fax number
4. Shipping information:
  - a. Address (if different from invoice address)
  - b. Method of shipment/preferred carrier
5. Aircraft model, float model, and serial numbers
6. Wipaire part number; name; type, e.g. left or right; quantity
7. Payment method: VISA, MasterCard, C.O.D. (Collect on Delivery) (U.S. customers only), pre-payment by check or wire transfer, open account (see Credit Policy)

## INTRODUCTION

All references in this manual to LEFT and RIGHT are from the perspective of the pilot's seat with the floats fully installed and ready for floatplane operation.

The following is a list of abbreviations that may appear in the description nomenclature fields of this manual:

AB	Afterbody	Inbd.	Inboard
Amphib.	Amphibious	Lg.	Large
AR	As Required	Lt.	Left
Assy.	Assembly	Lwr.	Lower
Brkt.	Bracket	Opt.	Optional
Btm.	Bottom	Otbd.	Outboard
Bulk.	Bulkhead	Reinf.	Reinforcement
Ctr.	Center	Rr.	Rear
Cyl.	Cylinder	Rt.	Right
Ft.	Front	Sm.	Small
Ftg.	Fitting	SN	Serial Number
Fus.	Fuselage	Spr.	Spreader
Fwd	Forward	Upr.	Upper
Horiz.	Horizontal	Vert.	Vertical
Hyd.	Hydraulic	W.W.	Wheel Well

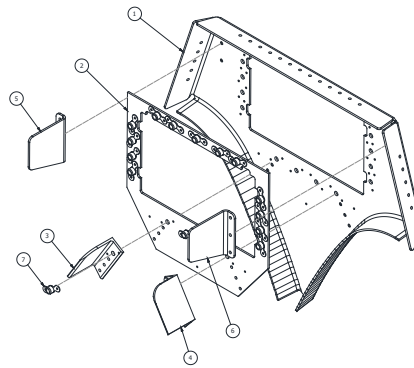
## USING THIS PARTS MANUAL

### COVERAGE

Parts information is provided in this manual for the hulls and all "deck down" parts. For information on strut package parts and other aircraft installation items, refer to the installation drawing package provided with the STC at the time of float installation. Additional drawing copies are available for purchase through Wipaire Customer Service Department.

Name of main part in the section. Example: This part is showing the components made up in Bulkhead #1.

### BULKHEAD #1



Main part image. If the image has numbers associated with it, then those numbers are item numbers shown in the table below.

Items with a (-) instead of a number represent the main part as an assembly. Other parts represent the parts included in the assembly.

ITEM	QTY	PART NO.	PART DESCRIPTION
-	1	1008815	ASSEMBLY BULKHEAD #1, 10000
1	1	1008797	PANEL, BULKHEAD #1
2	1	13A01156-085	DOUBLER #1 BULKHEAD
3	1	13A01357-049	CLEAT, SISTER KEEL ATTACH #1 BULKHEAD
4	1	13A01357-050	CLEAT, SISTER KEEL ATTACH #1 BULKHEAD
5	1	6A01156-054	ANGLE – TOP RAIL
6	1	6A01156-055	ANGLE – TOP RAIL
7	17	MS21047L4	NUT PLATE, SELF LOCKING

To order an individual part, order the part number associated with item number.

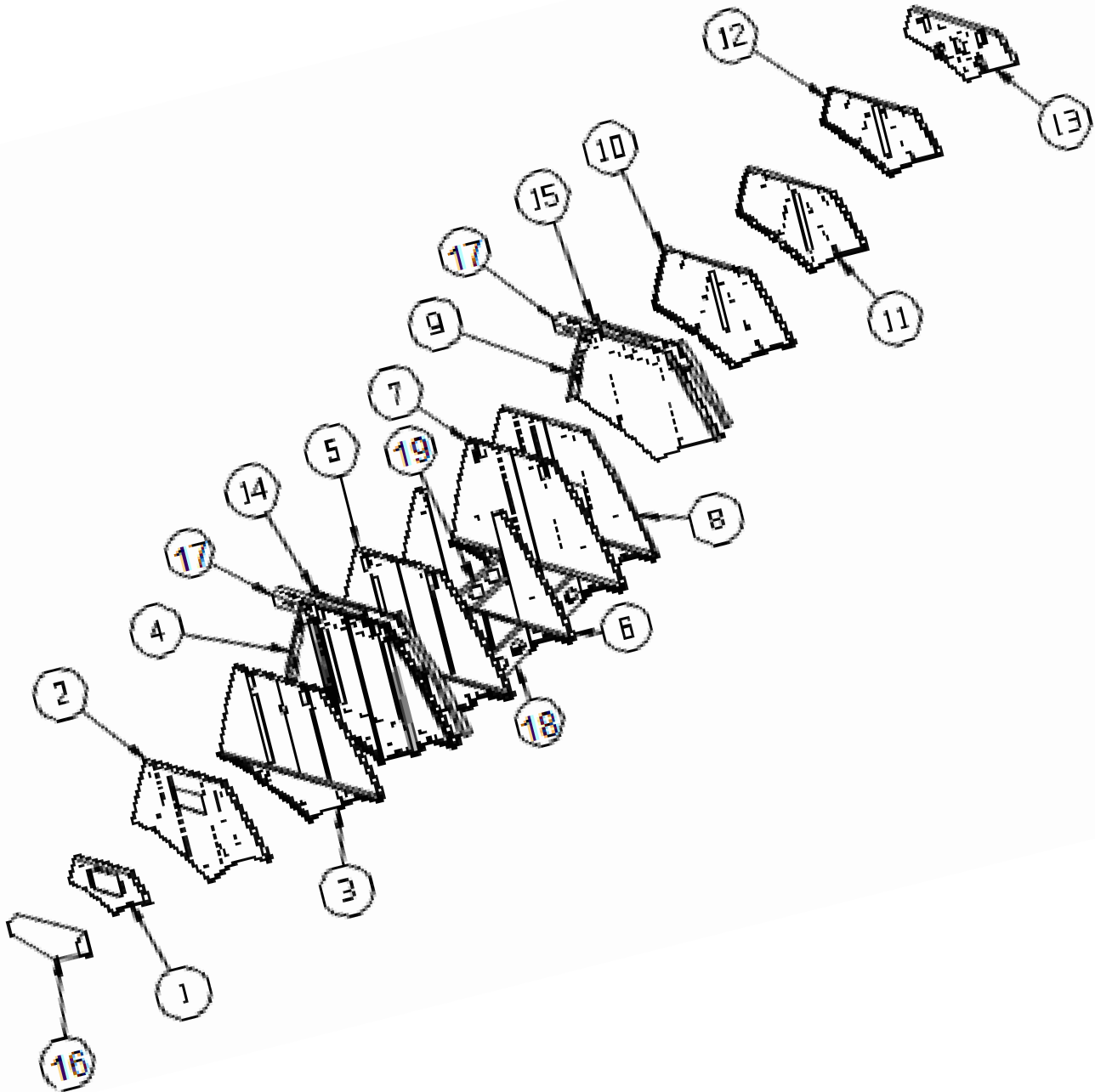


# SECTION 1 HULL BULKHEAD ASSEMBLIES

## CONTENTS

HULL ASSEMBLY .....	10
BULKHEAD #1 .....	13
BULKHEAD #3 .....	14
BULKHEAD #4 .....	15
BULKHEAD #5 .....	16
BULKHEAD #6 .....	17
BULKHEAD #7 .....	18
BULKHEAD #8 .....	19
BULKHEAD #9 AMPHIBIAN .....	20
BULKHEAD #9 SEAPLANE .....	21
BULKHEAD #10 .....	22
BULKHEAD #11 .....	23
BULKHEAD #12 .....	24
BULKHEAD #13 .....	25
BULKHEAD #14 .....	26

## HULL ASSEMBLY

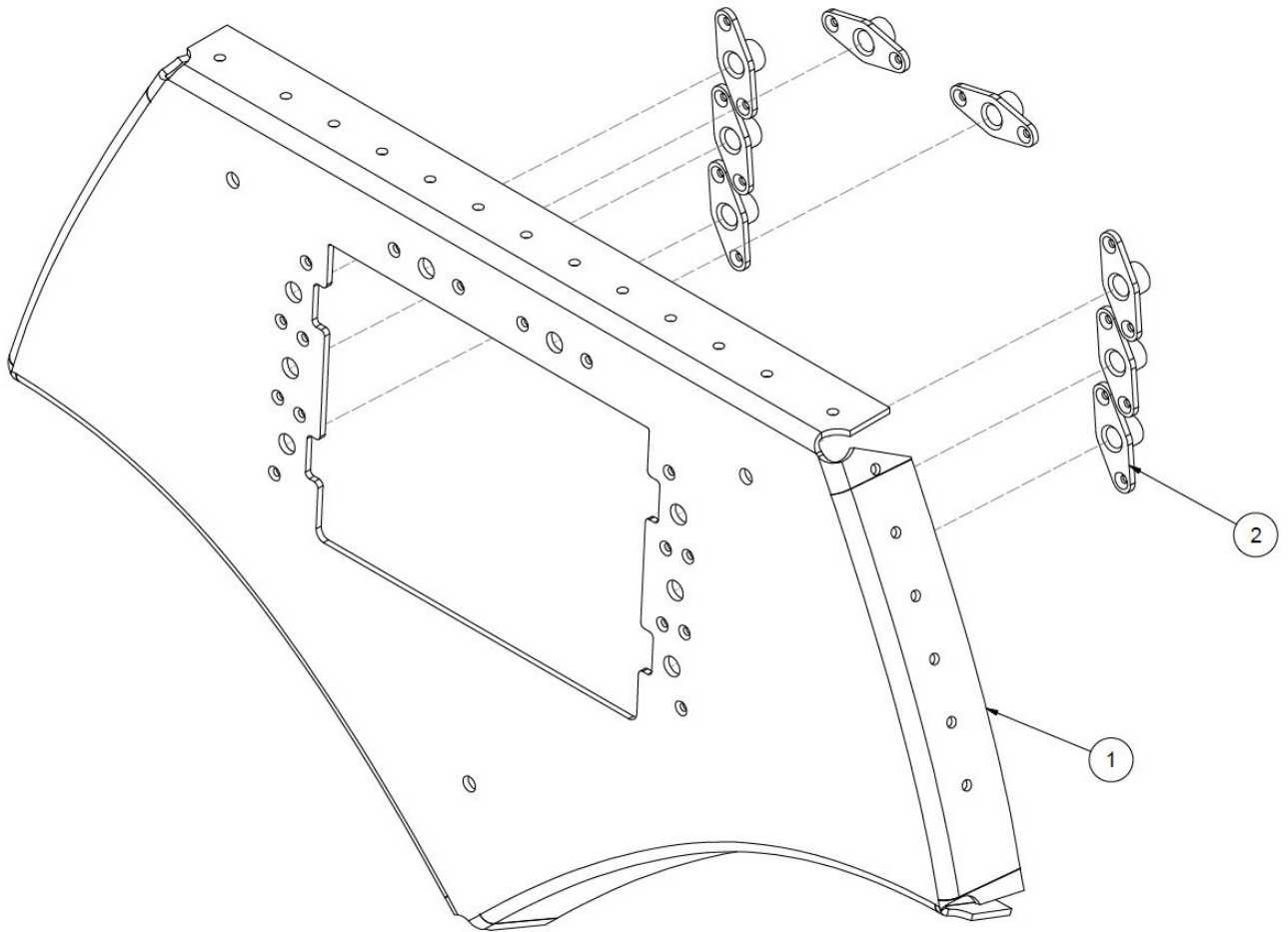


PARTS MANUAL  
3000 FLOATS ON CESSNA 182

ITEM	QTY	PART NO.	PART DESCRIPTION
1	1	30A01000-329	ASS'Y. BULKHEAD #1
2	1	30A01000-330	ASS'Y. BULKHEAD #3
3	1	30A01000-331	ASS'Y. BULKHEAD #4
4	1	30A01000-336	ASS'Y. BULKHEAD #5
5	1	30A01000-332	ASS'Y. BULKHEAD #6
6	1	30A01000-333	ASS'Y. BULKHEAD #7
7	1	1004914	ASS'Y. BULKHEAD #8
8	1	1004888	ASS'Y. BULKHEAD #9
9	1	30A01000-339	ASS'Y. BULKHEAD #10
10	1	30A01000-340	ASS'Y. BULKHEAD #11
11	1	30A01000-341	ASS'Y. BULKHEAD #12
12	1	30A01000-342	ASS'Y. BULKHEAD #13
13	1	30A01000-343	ASS'Y. BULKHEAD #14
14	1	30A03000-354	ASS'Y SPR. BAR PANEL FWD
	1	30A01155-031	PANEL – SPR. BAR
	1	30A01352-039	ANGLE – SIDE L.
	1	30A01352-040	ANGLE – SIDE R.
	2	6A01359-004	ANGLE
	1	AN4-5A	BOLT
	1	NAS1149F0463P	WASHER
	1	MS21044N4	NUT
15	1	30A01000-353	ASS'Y. SPR. BAR PANEL AFT
	1	30A01155-031	PANEL – SPR. BAR
	1	30A01352-033	ANGLE – SIDE L.
	1	30A01352-034	ANGLE – SIDE R.
	2	30A01156-125	ANGLE
	1	AN4-5A	BOLT
	1	NAS1149F0463P	WASHER
	1	MS21044N4	NUT
16	1	30A01000-365	NOSE BUMPER (AMPHIB)
	1	30S01739-001	NOSE BUMPER (SEAPLANE)
	2	30A01359-225	ANGLE (AMPHIB)
	2	30S01326-034	ANGLE (SEAPLANE)
17	1	30A03319-001	TUBE – SPR. BAR MOUNTING R.
	1	30A03319-002	TUBE – SPR. BAR MOUNTING L.
	6	AN4-22A	BOLT
	12	NAS1149D0416J	WASHER
	12	NAS1149D0463J	WASHER
	6	MS21044N4	NUT
18	2	34A01005-385	BAGGAGE REINFORCEMENT
	4	34A01340-173	ANGLE

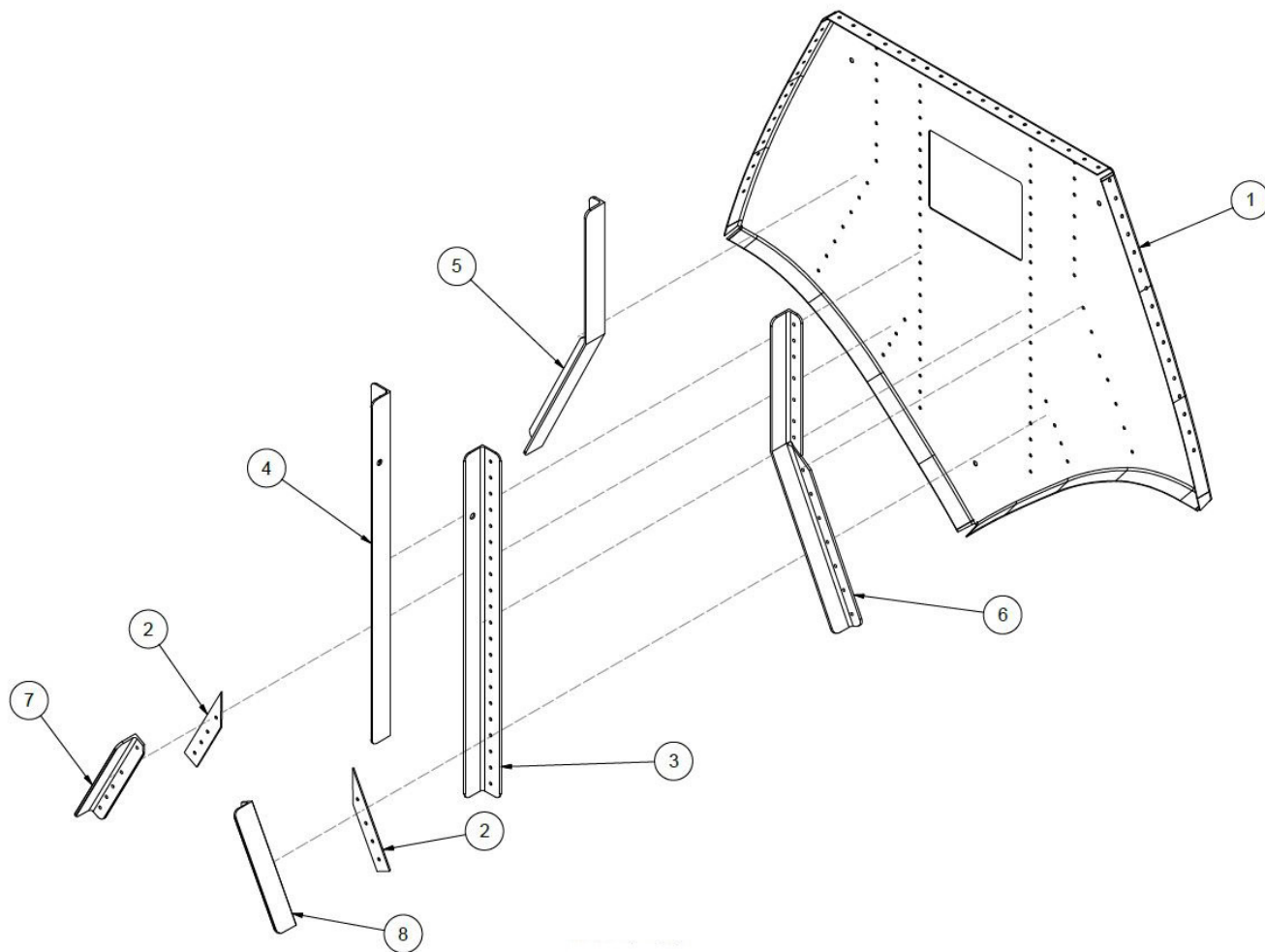
<b>ITEM</b>	<b>QTY</b>	<b>PART NO.</b>	<b>PART DESCRIPTION</b>
	4	34A01340-174	ANGLE
19	2	34A01005-384	BAGGAGE REINFORCEMENT
	4	34A01340-173	ANGLE
	4	34A01340-174	ANGLE

### BULKHEAD #1



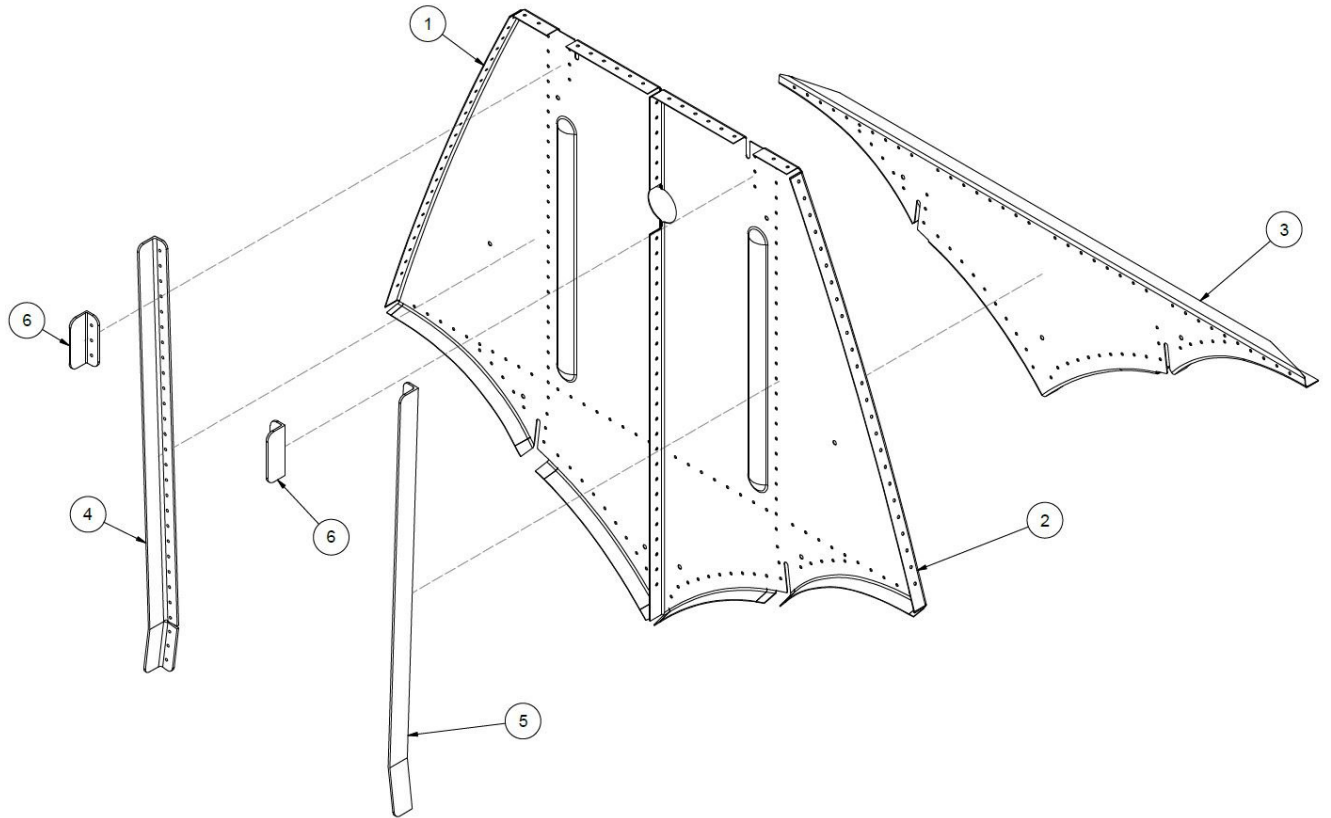
ITEM	QTY	PART NO.	PART DESCRIPTION
-	1	30A01000-329	ASSEMBLY, BULKHEAD, NOSE
1	1	30A01155-029	BULKHEAD #1
2	8	MS21078-4	NUT PLATE
3	1	30S01158-263	COVER – BULKHEAD SEAPLANE (NOT SHOWN)

### BULKHEAD #3



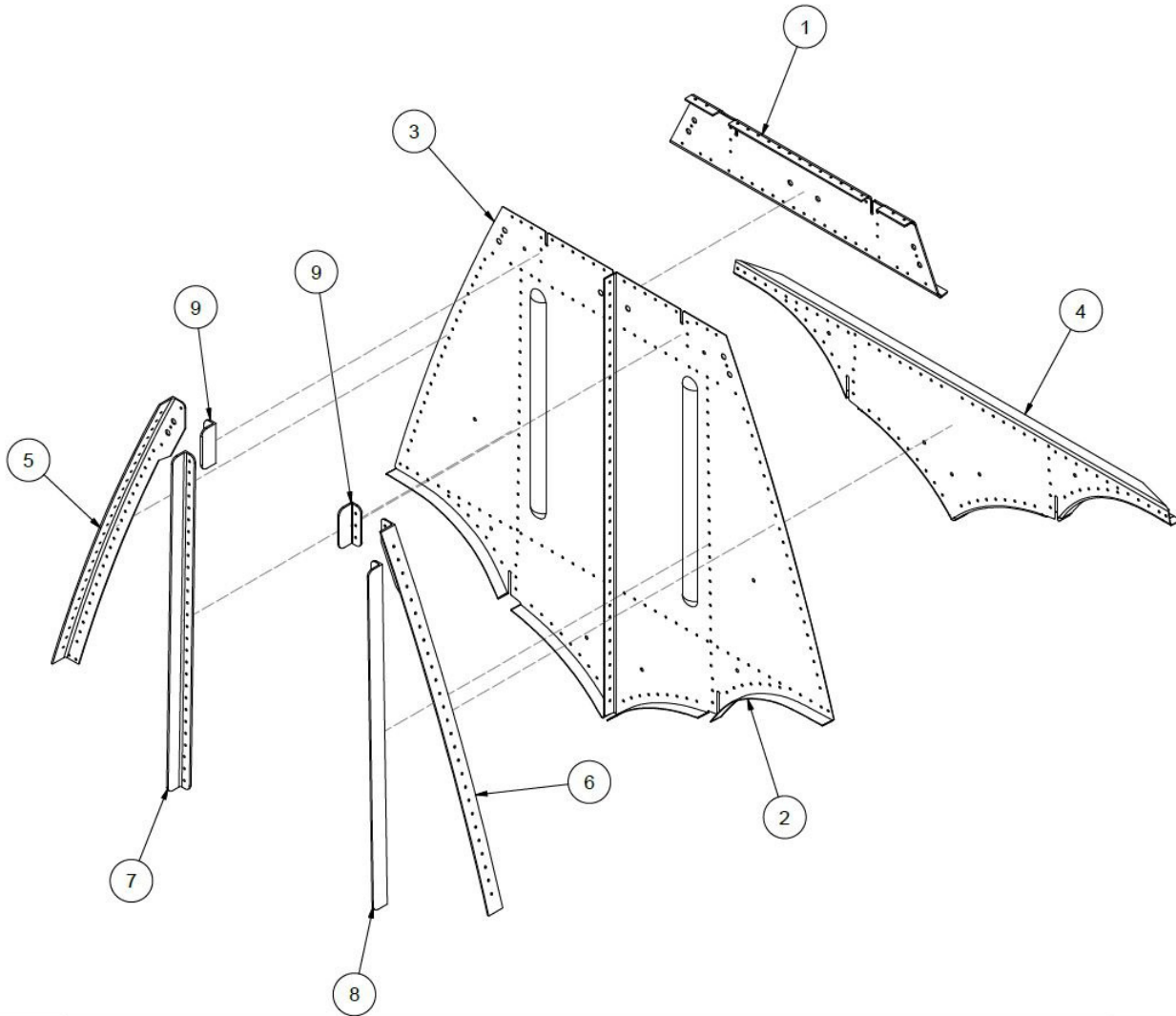
ITEM	QTY	PART NO.	PART DESCRIPTION
-	1	30A01000-330	ASSEMBLY, BULKHEAD 3
1	1	30A01158-208	PANEL, BULKHEAD 3
2	2	30A01163-072	ANGLE, SHIM, BULKHEAD #3
3	1	30A01326-020	ANGLE, NOSE BOX, BULK 3
4	1	30A01326-021	ANGLE NOSE BOX, BULK #3
5	1	30A01359-211	ANGLE, BULKHEAD 3
6	1	30A01359-212	ANGLE, BULKHEAD 3
7	1	30A01359-213	ANGLE, BULKHEAD 3
8	1	30A01359-214	ANGLE, BULKHEAD 3
9	1	30S01158-264	COVER – BULKHEAD SEAPLANE (NOT SHOWN)

## BULKHEAD #4



ITEM	QTY	PART NO.	PART DESCRIPTION
-	1	30A01000-331	ASSEMBLY, BULKHEAD 4
1	1	30A01158-209	BULKHEAD #4, LH
2	1	30A01158-210	BULKHEAD #4, RH
3	1	30A01158-222	SUPPORT - BULKHEAD #4
4	1	30A01359-223	ANGLE, BULKHEAD #4, RH
5	1	30A01359-224	ANGLE, BULKHEAD #4, LT
6	2	6A01359-004	ANGLE, ATTACH, TOP RAIL

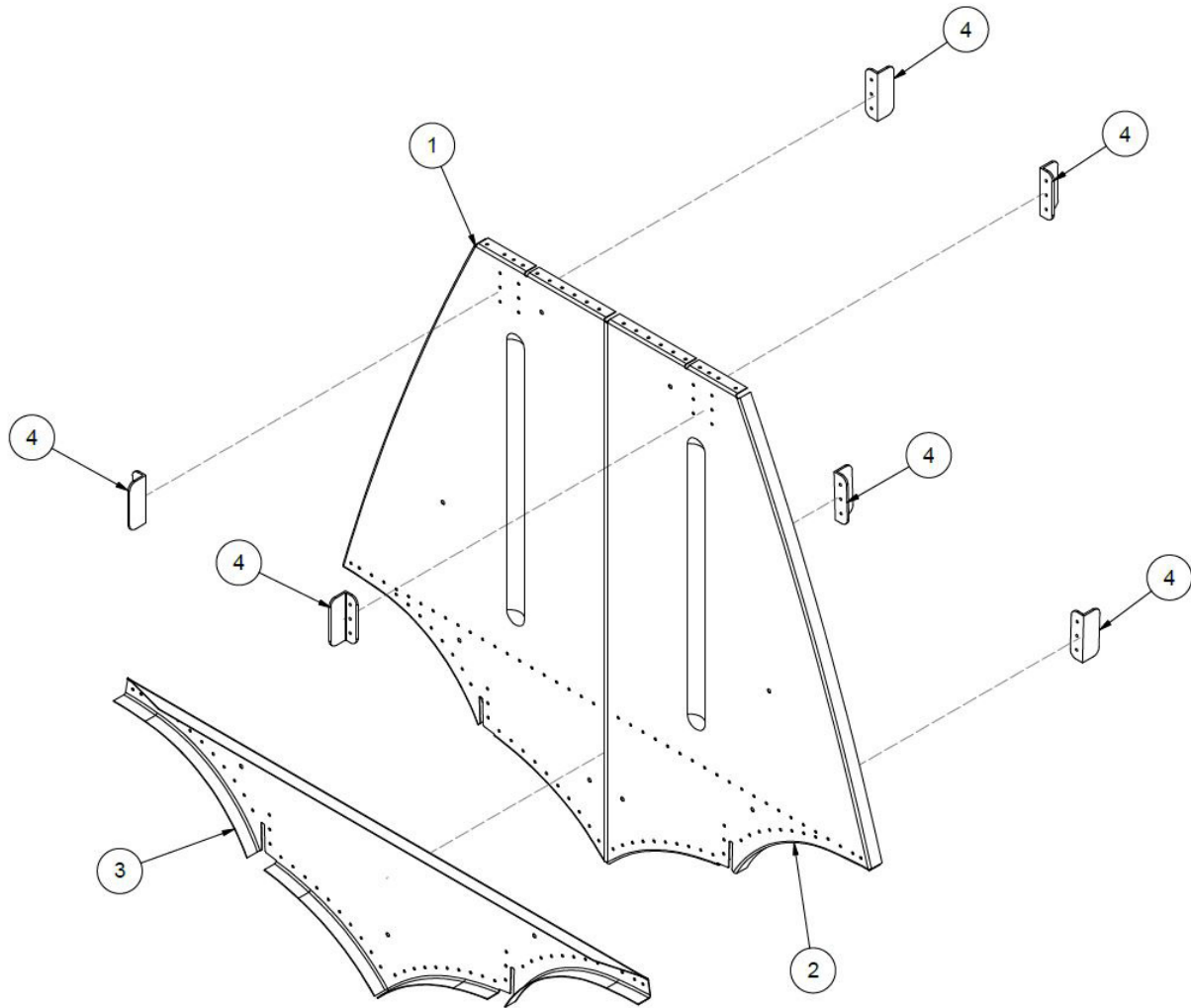
## BULKHEAD #5



ITEM	QTY	PART NO.	PART DESCRIPTION
-	1	30A01000-336	ASSEMBLY, BULKHEAD 5
1	1	30A01155-032	PANEL, SPREADER BAR, BH 5 & 10
2	1	30A01158-211	BULKHEAD #5 - LH - FORMED
3	1	30A01158-212	BULKHEAD #5 - RH - FORMED
4	1	30A01158-223	SUPPORT - BULKHEAD #5
5	1	30A01352-037	ANGLE, SIDE, BULKHEAD 5
6	1	30A01352-038	ANGLE, SIDE, BULKHEAD 5
7	1	30A01359-221	ANGLE, BULKHEAD STN. #5
8	1	30A01359-222	ANGLE, BULKHEAD STN. #5
9	2	6A01359-004	ANGLE, ATTACH, TOP RAIL

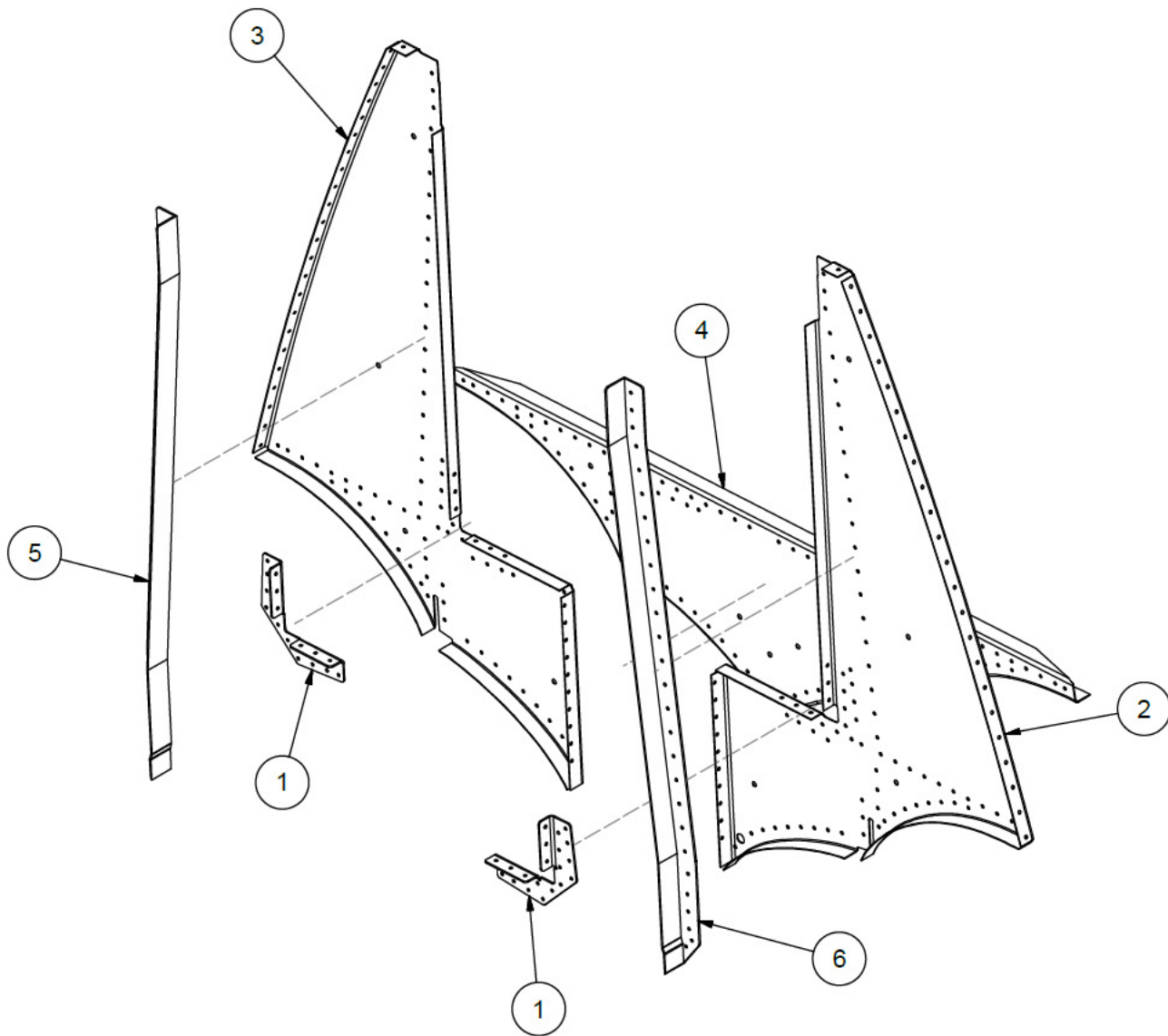


## BULKHEAD #6



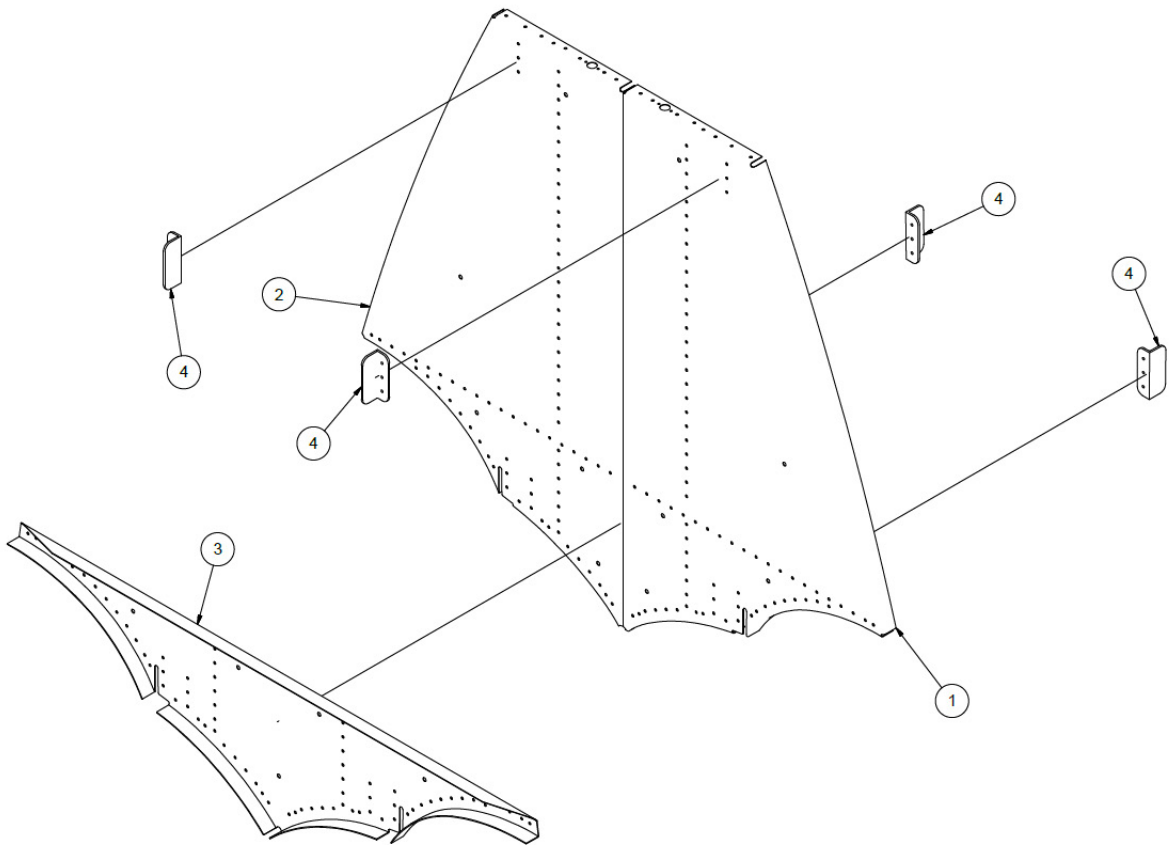
ITEM	QTY	PART NO.	PART DESCRIPTION
-	1	30A01000-332	ASSEMBLY, BULKHEAD 6
1	1	30A01158-213	BULKHEAD #6 - LH - FORMED
2	1	30A01158-214	BULKHEAD #6 - RH - FORMED
3	1	30A01158-224	SUPPORT - BULKHEAD #6
4	6	6A01359-004	ANGLE, ATTACH, TOP RAIL

### BULKHEAD #7



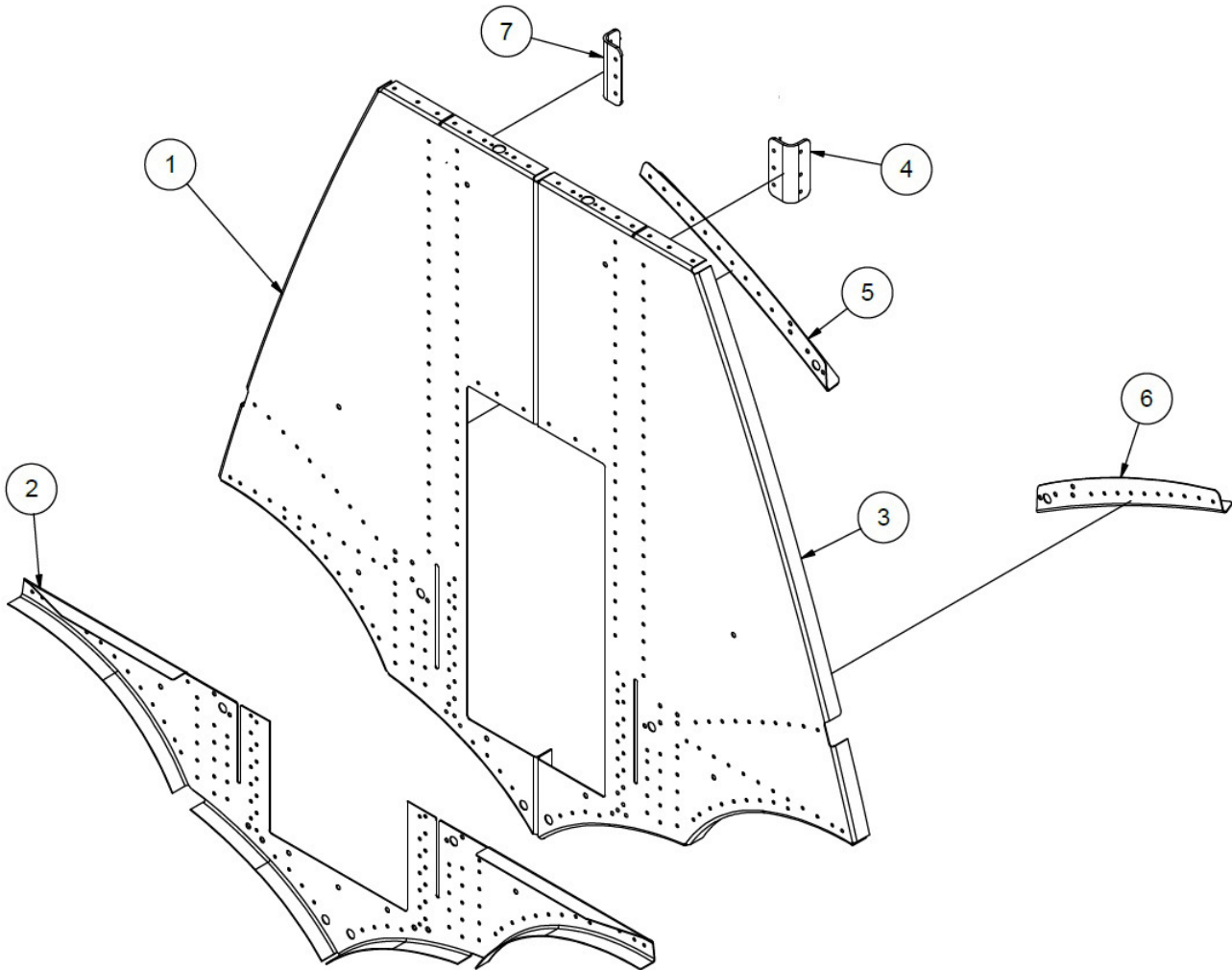
ITEM	QTY	PART NO.	PART DESCRIPTION
-	1	30A01000-333	BULKHEAD ASSEMBLY #7
1	2	1001110	DOUBLER - SUPPORT - LH/RH BULKHEAD #7
2	1	30A01158-215	BULKHEAD - #7, LH
3	1	30A01158-216	BULKHEAD - #7, RH
4	1	30A01158-225	SUPPORT - BULKHEAD #7
5	1	30A01326-036	ANGLE - BULKHEAD #7
6	1	30A01326-037	ANGLE - BULKHEAD #7

## BULKHEAD #8



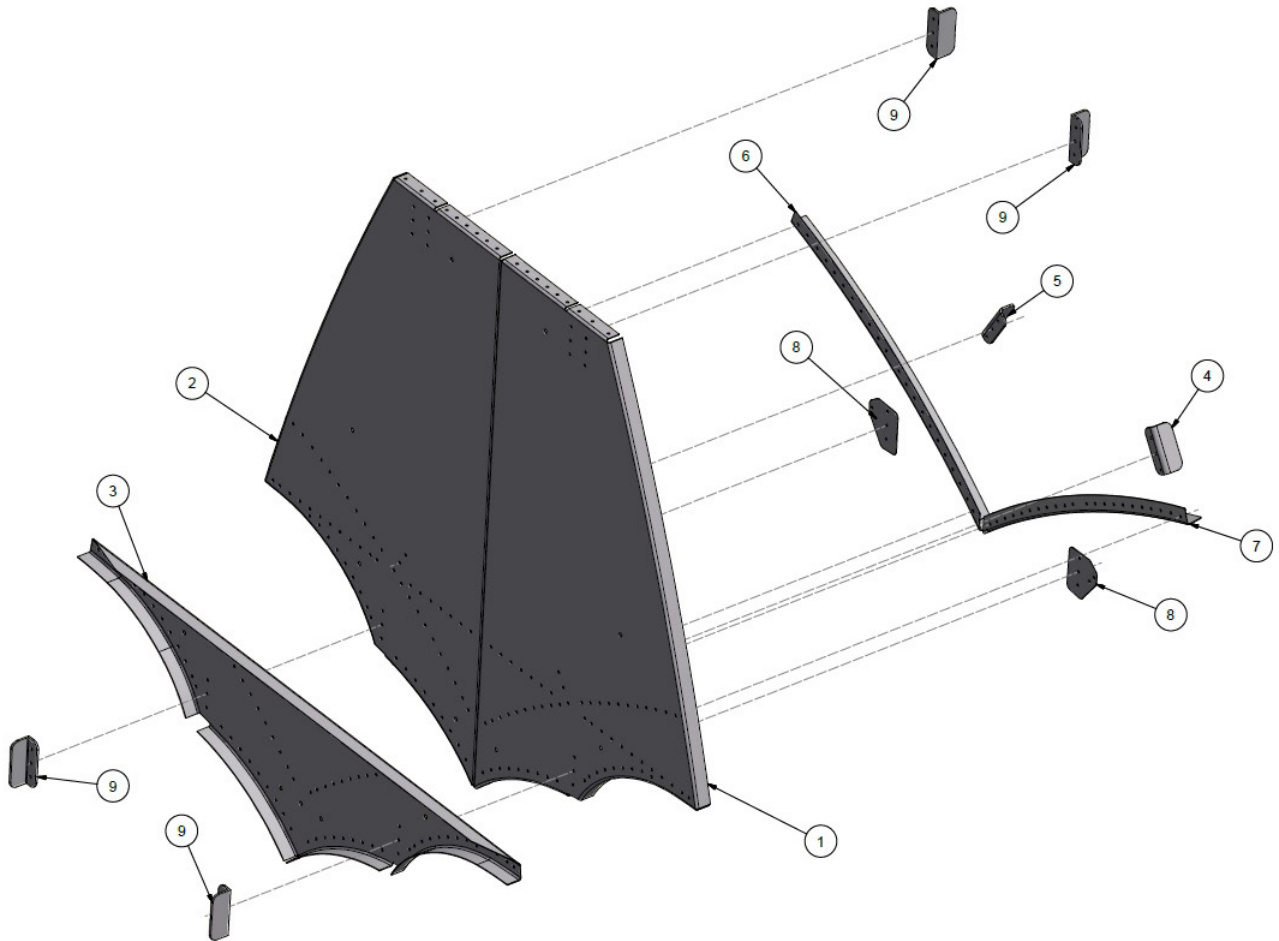
ITEM	QTY	PART NO.	PART DESCRIPTION
-	1	1004914	ASSEMBLY, BULKHEAD 8, 3000 3450 COMP
1	1	1004912	BULKHEAD, #8, LH, 3000 3450
2	1	1004913	BULKHEAD, #8, RH, 3000 3450
3	1	1004915	SUPPORT, BULKHEAD #8, 3000 3450
4	4	6A01359-004	ANGLE - SUPPORT

### BULKHEAD #9 AMPHIBIAN



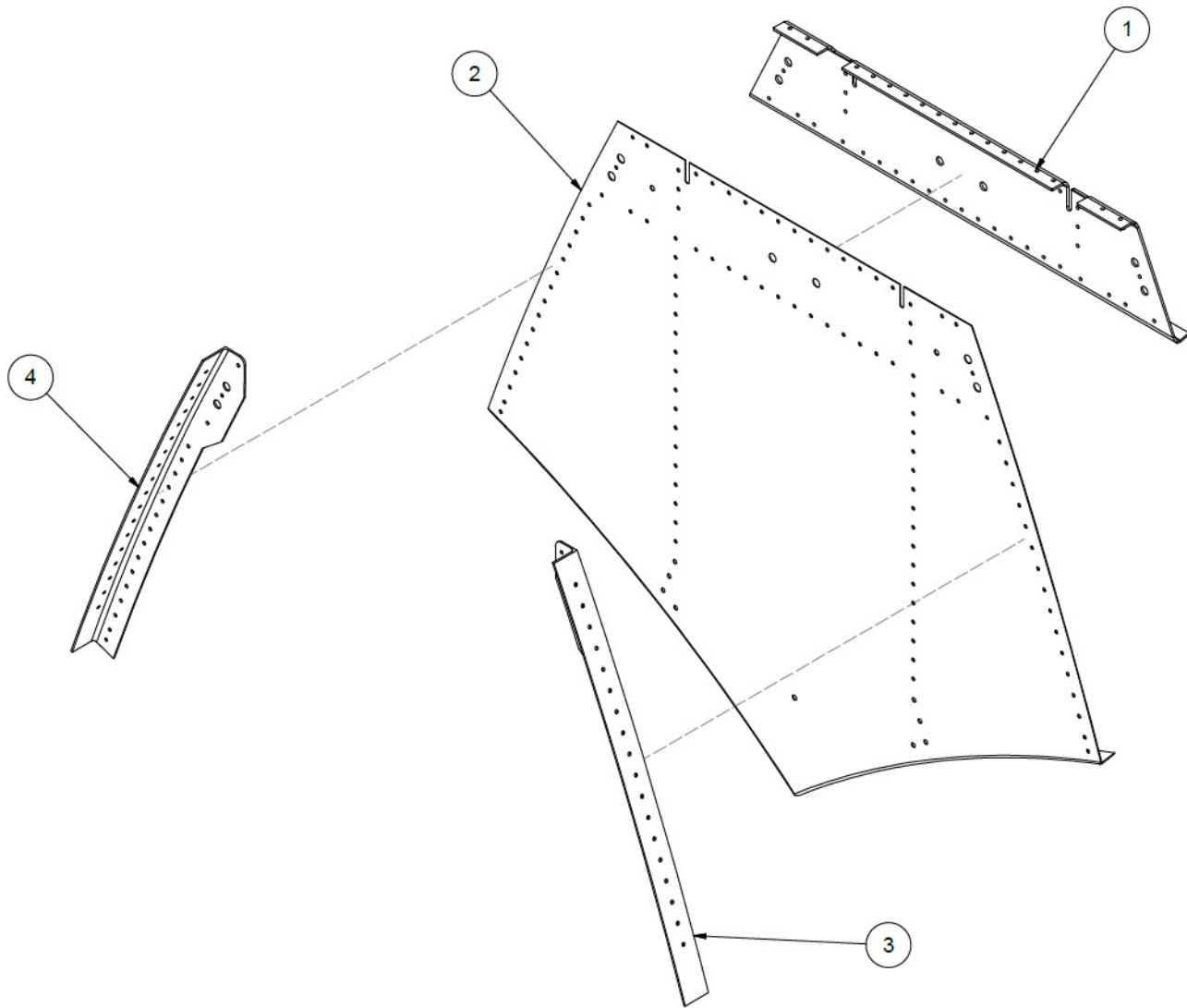
ITEM	QTY	PART NO.	PART DESCRIPTION
-	1	1004888	ASS'Y BULKHEAD #9
1	1	1004889	BULKHEAD, #9, RIGHT, 3000 3450
2	1	1004890	SUPPORT, RH, BULKHEAD #9
3	1	1004891	BULKHEAD, #9, LEFT, 3000 3450
4	1	1005519	ATTACH, ANGLE, TOP RAIL
5	1	1005581	ANGLE, ATTACH AFT
6	1	1005582	ANGLE, ATTACH AFT
7	1	1005611	ATTACH, ANGLE, TOP RAIL

## BULKHEAD #9 SEAPLANE



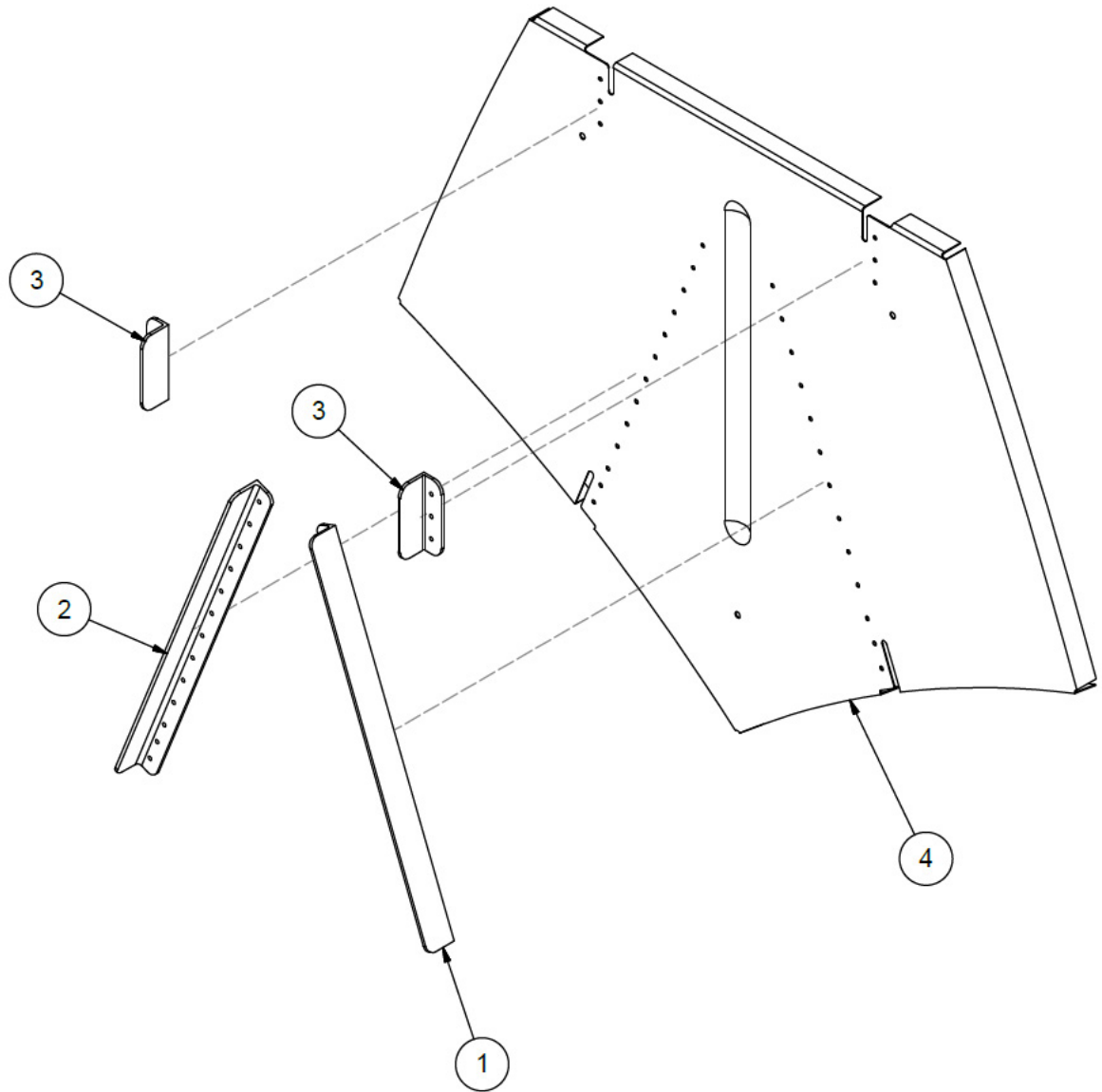
ITEM	QTY	PART NO.	PART DESCRIPTION
-	1	30S01000-407	ASS'Y BULKHEAD #9 SEAPLANE
1	1	1005792	BULKHEAD # 9, STRAIGHT LEFT
2	1	1005799	BULKHEAD #9, STRAIGHT RIGHT
3	1	1005800	SUPPORT - BULKHEAD, #9
4	1	1005801	ANGLE, ATTACH, AFT, SISTER KEEL
5	1	1005802	ANGLE, ATTACH, AFT, SISTER KEEL
6	1	34S01158-258	ANGLE, SKIN ATTACH, AFT, RT
7	1	34S01158-259	ANGLE, SKIN ATTACH AFT, LT
8	2	4S01158-098	DOUBLER, SISTER KEEL BULKHEAD STN #8
9	4	6A01359-004	ANGLE - SUPPORT

### BULKHEAD #10



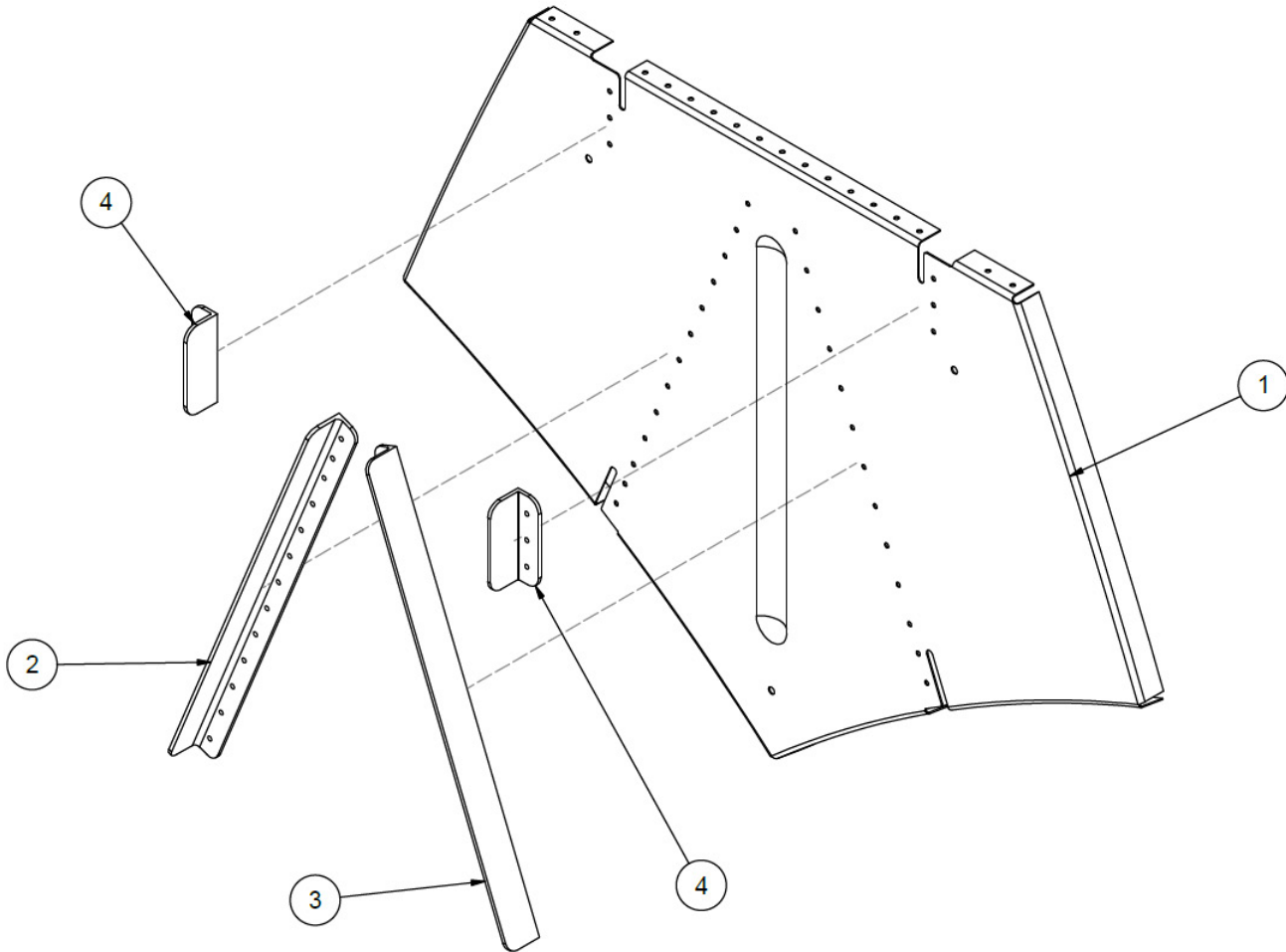
ITEM	QTY	PART NO.	PART DESCRIPTION
-	1	30A01000-339	ASSEMBLY, BULKHEAD 10 (AMPHIB)
-	1	30S01000-408	ASS'Y. BULKHEAD #10 (SEAPLANE ONLY)
1	1	30A01155-032	PANEL, SPREADER BAR, BH 5 & 10
2	1	30A01158-221	BULKHEAD #10
3	1	30A01352-035	ANGLE, SIDE, BULKHEAD 10
4	1	30A01352-036	ANGLE, SIDE, BULKHEAD 10
5	4	6A01359-004	ANGLE (SEAPLANE ONLY NOT SHOWN)
6	2	30S01340-180	ANGLE (SEAPLANE ONLY NOT SHOWN)

## BULKHEAD #11



ITEM	QTY	PART NO.	PART DESCRIPTION
-	1	30A01000-340	BULKHEAD STAION #11 ASSY
1	1	30A01359-216	ANGLE - BULKHEAD #11 & #12
2	1	30A01359-217	ANGLE - BULKHEAD #11 & #12
3	2	6A01359-004	ANGLE, ATTACH, TOP RAIL
4	1	30A01158-204	BULKHEAD #11

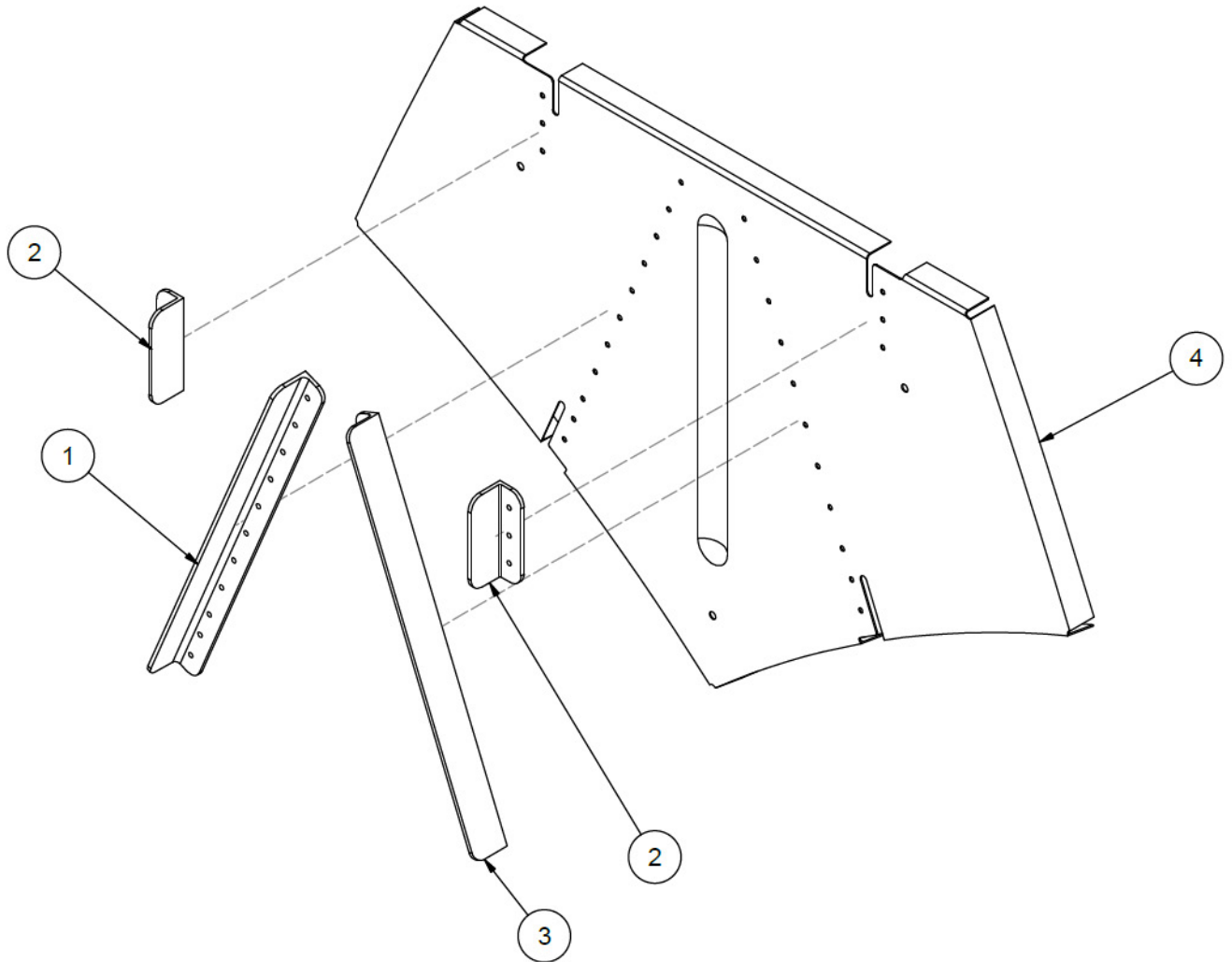
### BULKHEAD #12



ITEM	QTY	PART NO.	PART DESCRIPTION
-	1	30A01000-341	30A01000-341
1	1	30A01158-205	BULKHEAD #12
2	1	30A01359-216	ANGLE - BULKHEAD #11 & #12
3	1	30A01359-217	ANGLE - BULKHEAD #11 & #12
4	2	6A01359-004	ANGLE, ATTACH, TOP RAIL

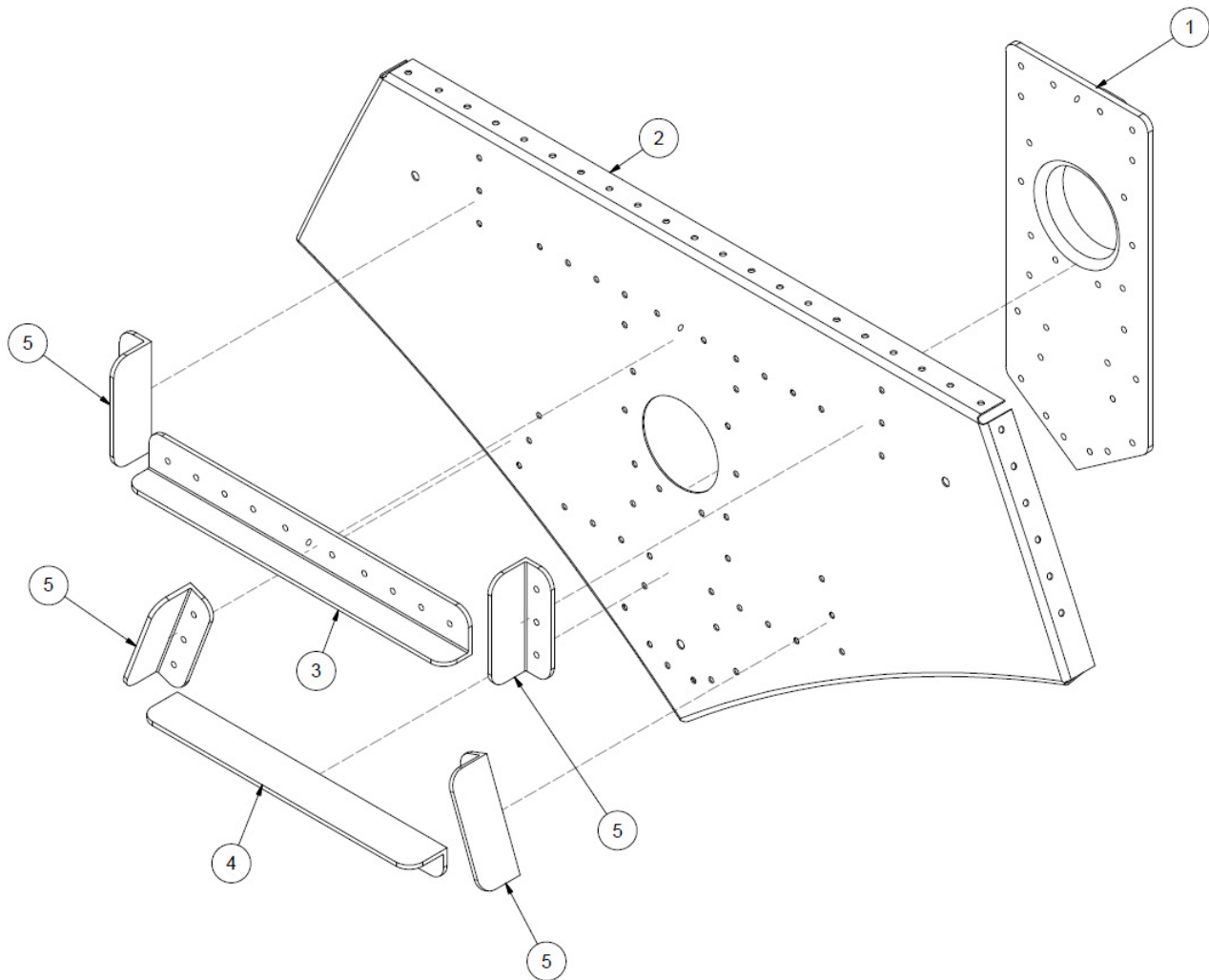


### BULKHEAD #13



ITEM	QTY	PART NO.	PART DESCRIPTION
-	1	30A01000-342	BULKHEAD STATION #13 ASSY
1	1	30A01359-218	ANGLE - BULKHEAD #13
2	2	6A01359-004	ANGLE, ATTACH, TOP RAIL
3	1	30A01359-219	ANGLE - BULKHEAD #13
4	1	30A01158-206	BULKHEAD #13

## BULKHEAD #14



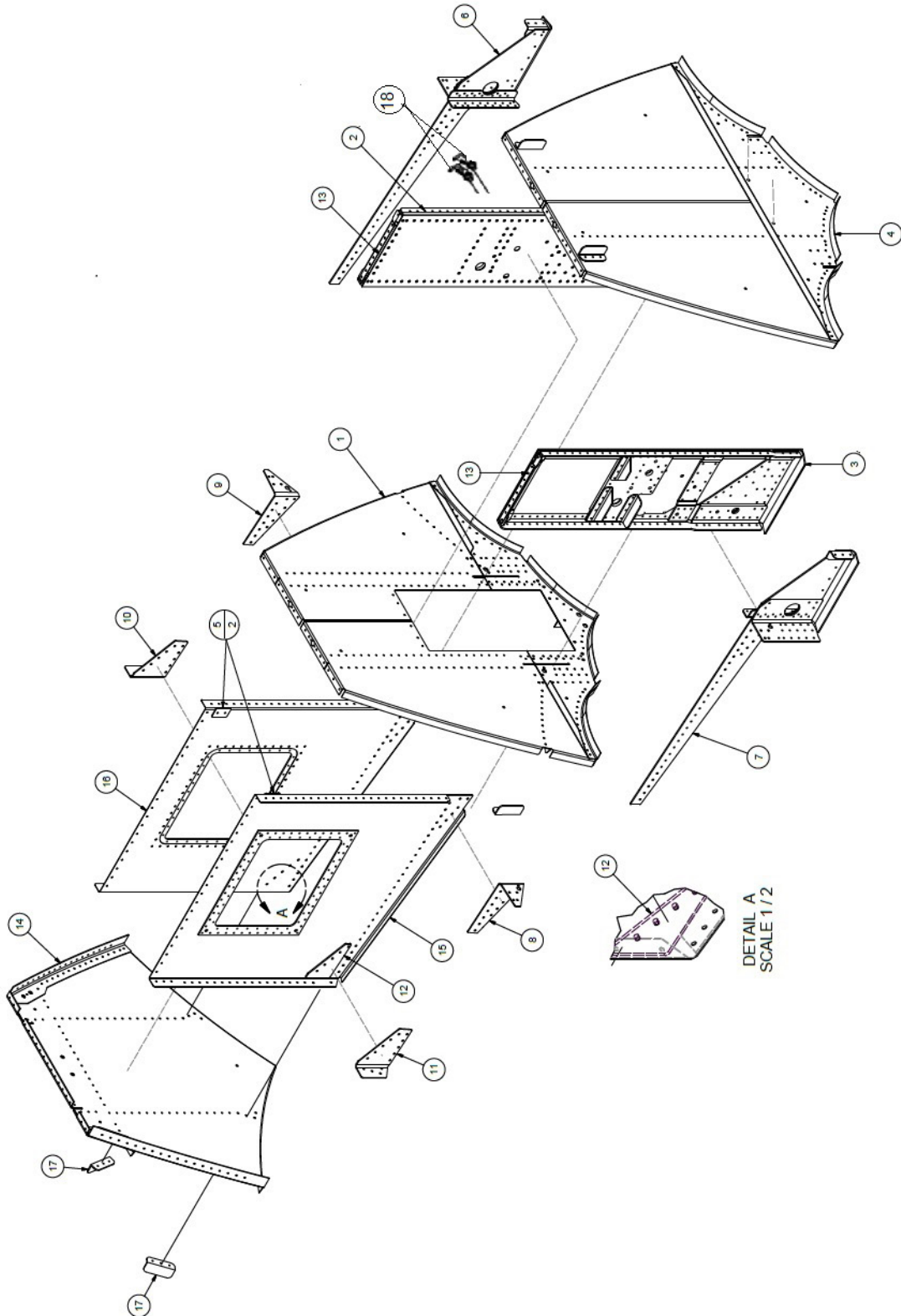
ITEM	QTY	PART NO.	PART DESCRIPTION
-	1	30A01000-343	ASSEMBLY, BULKHEAD #14
1	1	1008934	MOUNT, PIVOT, WATER RUDDER
2	1	30A01158-207	BULKHEAD #14
3	1	30A01359-209	ANGLE, BULKHEAD #14, UPPER
4	1	30A01359-210	ANGLE, BULKHEAD #14, LOWER
5	4	6A01359-004	ANGLE - SUPPORT

## SECTION 2 WHEEL WELL ASSEMBLY

### CONTENTS

WHEEL WELL AREA .....	28
WHEEL WELL ASSEMBLY - AMPHIBIAN .....	30

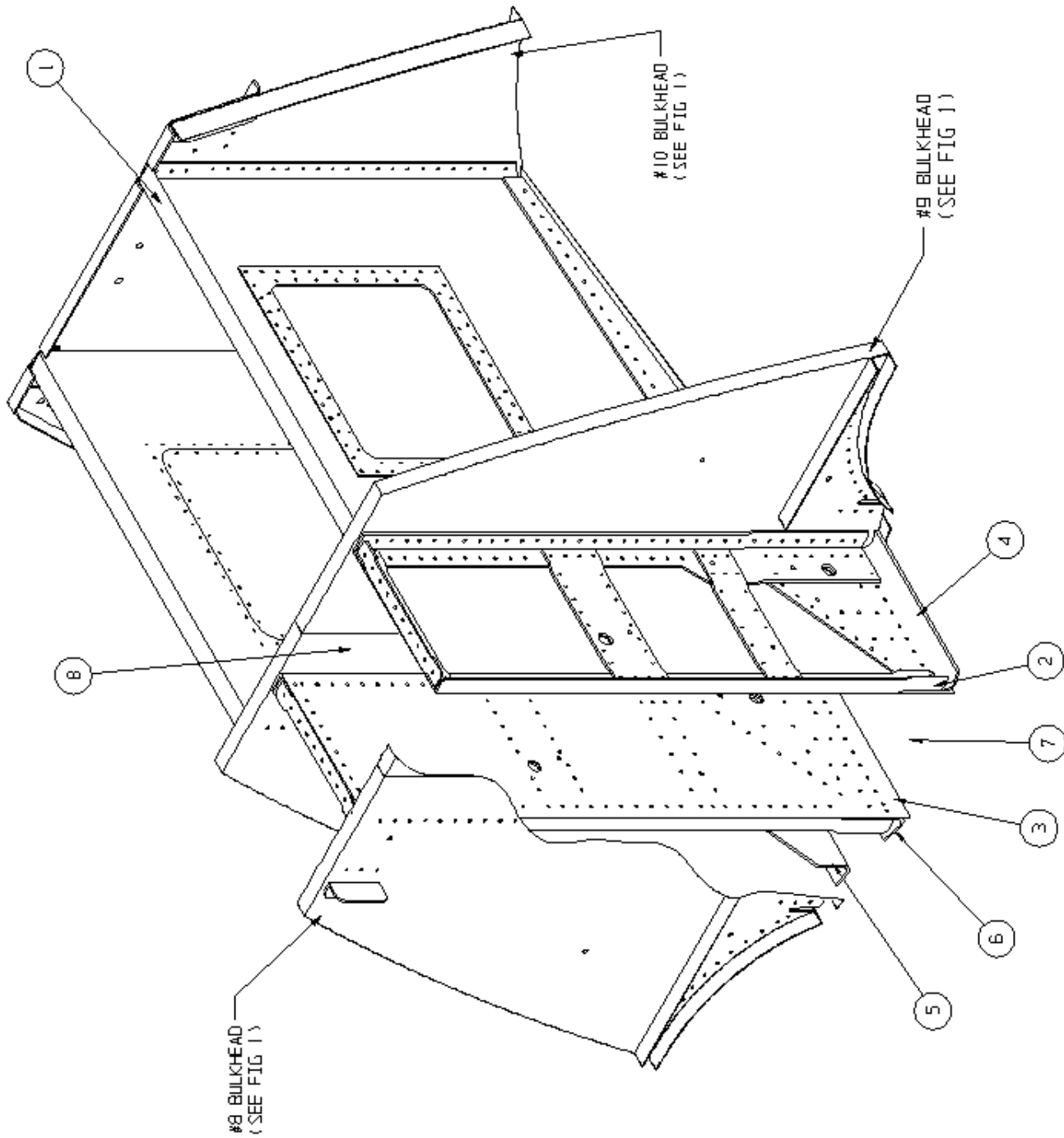
### WHEEL WELL AREA



PARTS MANUAL  
3000 FLOATS ON CESSNA 182

ITEM	QTY	PART NO.	PART DESCRIPTION
-	1	1005530	ASSEMBLY, WHEEL WELL, CENTERED, 3000
1	1	1004888	ASS'Y BULKHEAD #9
2	1	1004893	ASSEMBLY, PANEL, MAIN GEAR
3	1	1004894	ASSEMBLY, PANEL, MAIN GEAR
4	1	1004914	ASSEMBLY, BULKHEAD 8, 3000 3450 COMP
5	2	1005520	SPACER, ATTACH, ANGLE, TOP RAIL
6	1	1005523	ASSEMBLY, CARRY THRU STRAP, RIGHT
7	1	1005524	ASSEMBLY, CARRY THRU STRAP, LEFT
8	1	1005531	GUSSET, WHEEL WELL
9	1	1005532	GUSSET, WHEEL WELL
10	1	1005542	GUSSET, WHEEL WELL, REAR
11	1	1005543	GUSSET, WHEEL WELL, REAR
12	2	1005550	SPACER, GUSSET, CARRY-THRU
13	2	1005557	SPACER, ANGLE, PANEL, MAIN GEAR
14	1	30A01000-339	ASS'Y BULKHEAD #10
15	1	30A01000-348	ASSEMBLY, PANEL, SIDE, WHEEL WELL, RH
16	1	30A01000-349	ASSEMBLY, PANEL, SIDE, WHEEL WELL, LH
17	4	6A01359-004	ANGLE, ATTACH, TOP RAIL
18	2	1005724	SWITCH, PROXIMITY

### WHEEL WELL ASSEMBLY - AMPHIBIAN



PARTS MANUAL  
3000 FLOATS ON CESSNA 182

ITEM	QTY	PART NO.	PART DESCRIPTION
1 LT.	1	30A01000-349	ASS'Y. WHEELWELL HALF L.
	1	30A01158-235	PANEL – FORMED L.
	1	13A01156-124	RING – COVER REINFORCEMENT
	1	21A01004-101	COVER
	28	AN526-632R6	SCREW
1 RT.	1	30A01000-348	ASS'Y. WHEELWELL HALF R.
	1	30A01158-234	PANEL – FORMED R.
	1	13A01156-124	RING – COVER REINFORCEMENT
	1	21A01004-101	COVER
	28	AN526-632R6	SCREW
2	1	30A01000-345	ASS'Y. WHEELWELL PANEL – OUTBR'D L.
	1	30A01000-350	ASS'Y. WHEELWELL PANEL – OUTBR'D R.
3	1	30A01000-347	ASS'Y. WHEELWELL PANEL – INBR'D L.
	1	30A01000-346	ASS'Y. WHEELWELL PANEL – INBR'D R.
4	1	30A01156-139	CARRY-THRU STRAP OUTBR'D L.
	1	30A01156-142	CARRY-THRU STRAP OUTBR'D R.
5	1	30A01156-141	CARRY-THRU STRAP INBR'D L.
	1	30A01156-140	CARRY-THRU STRAP INBR'D R.
6	1	30A01156-143	CARRY-THRU STRAP INBR'D L.
	1	30A01156-138	CARRY-THRU STRAP INBR'D R.
	1	30A01156-145	ANGLE – ATTACH AFT L.
	1	30A01156-150	ANGLE – ATTACH AFT R.
	1	30A01160-004	SHIM
	2	21A01326-015	ANGLE – ATTACH FWD
7	1	30A01150-139	SAND GUARD (NOT SHOWN) L.
	1	30A01150-140	SAND GUARD (NOT SHOWN) R.
	8	AN526-1032R8	SCREW
8	1	30A01569-002	MUD FLAP (NOT SHOWN)
	1	30A01150-141	REINFORCEMENT

THIS PAGE INTENTIONALLY LEFT BLANK

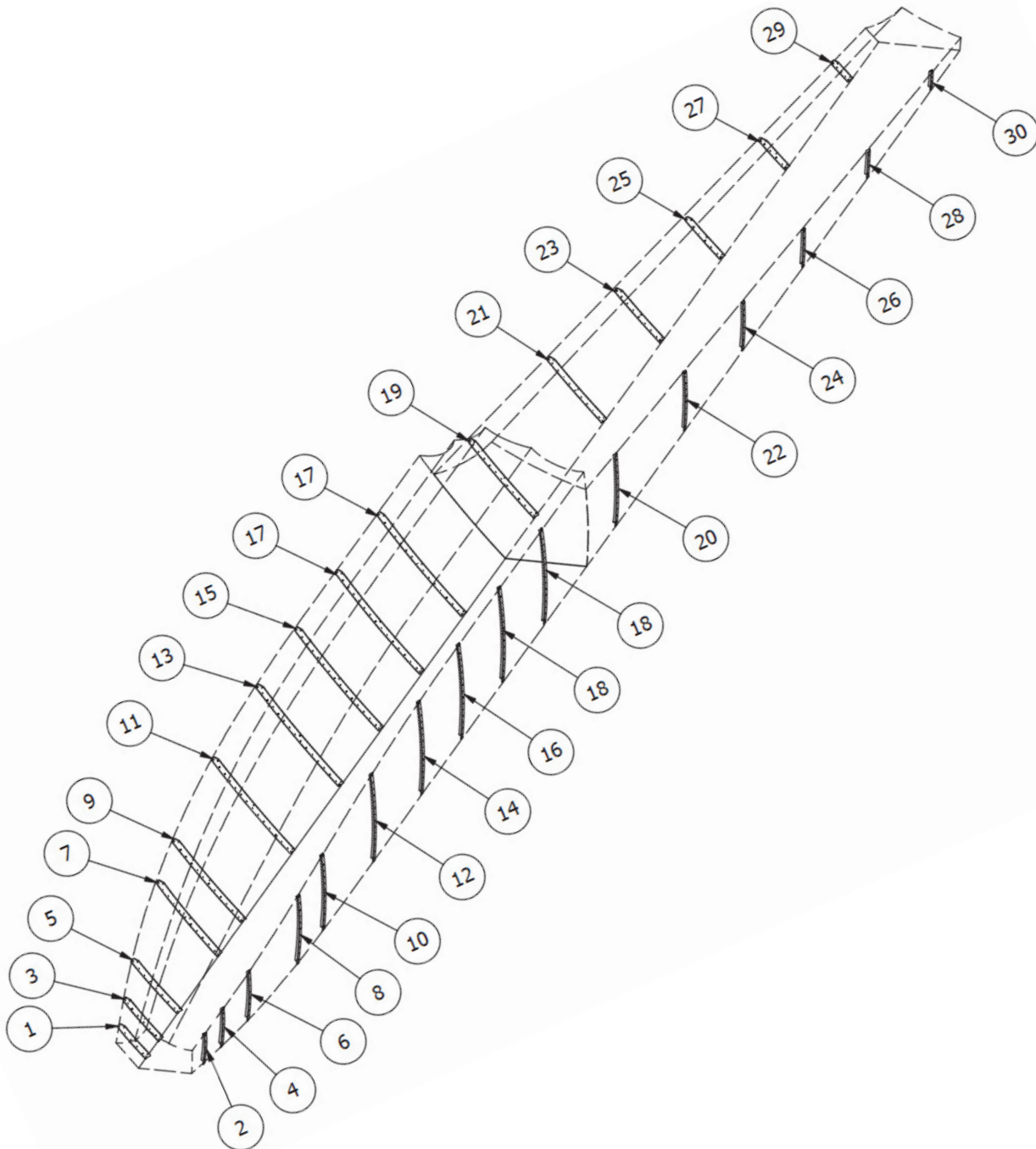


## SECTION 3 SKINS, STIFFENERS, & PADDLE

### CONTENTS

STIFFENERS.....	34
BOTTOM SKINS, DOUBLERS, & PADDLE - AMPHIBIAN.....	36
BOTTOM SKINS, DOUBLERS & PADDLE - SEAPLANE.....	38
RIGHT FLOAT SIDE SKINS.....	40
LEFT FLOAT SIDE SKINS.....	41

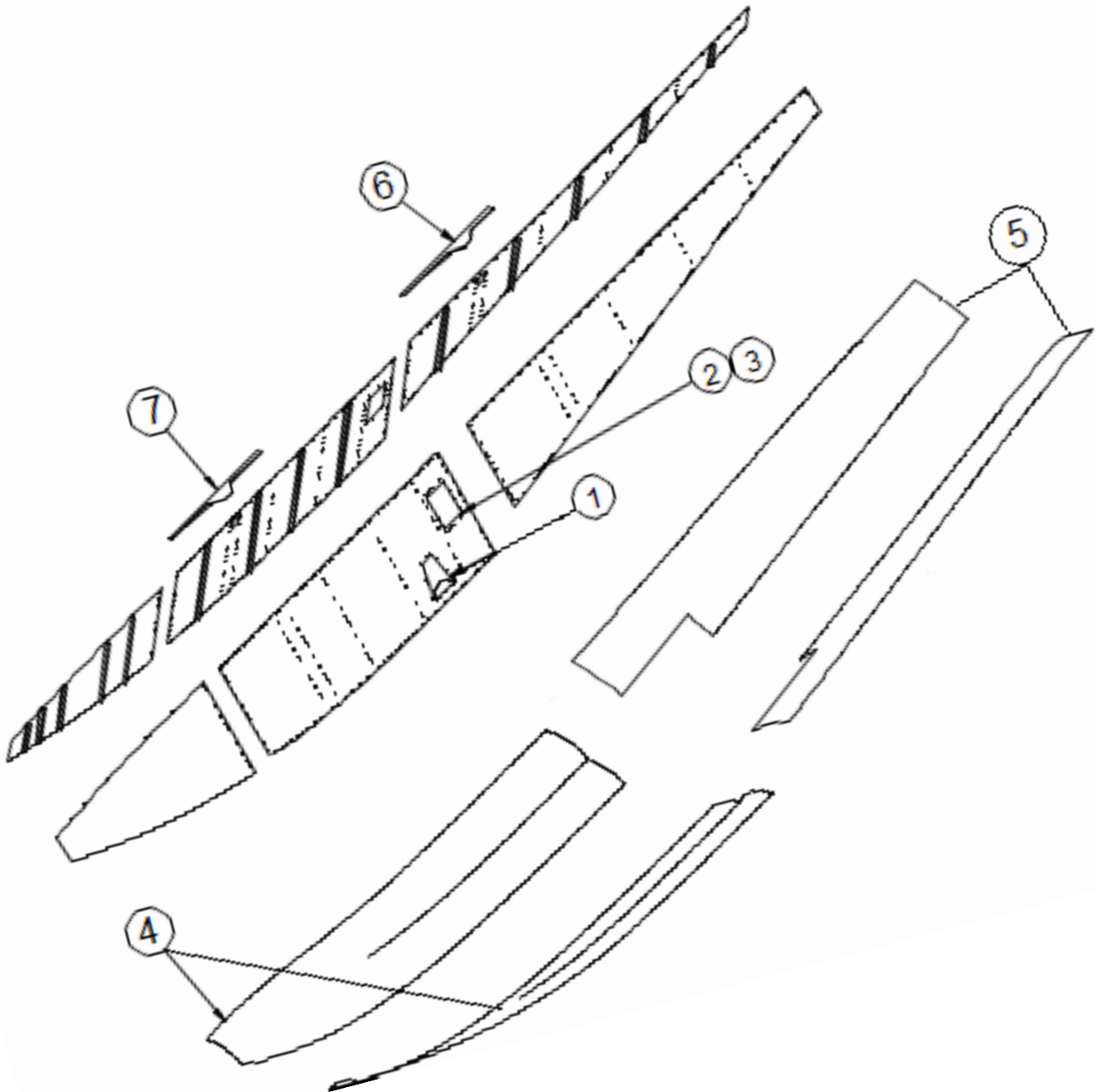
## STIFFENERS



\*Glued stiffeners were discontinued after Service Letter 211. Riveted stiffeners are compatible with floats made prior to the service letter.

ITEM	QTY	PART NO.	PART DESCRIPTION
1	1	1011150	STIFFENER, SIDE SKIN, LH
2	1	1011151	STIFFENER, SIDE SKIN, RH
3	1	1011152	STIFFENER, SIDE SKIN, LH
4	1	1011153	STIFFENER, SIDE SKIN, RH
5	1	1011154	STIFFENER, SIDE SKIN, LH
6	1	1011155	STIFFENER, SIDE SKIN, RH
7	1	1011156	STIFFENER, SIDE SKIN, LH
8	1	1011157	STIFFENER, SIDE SKIN, RH
9	1	1011158	STIFFENER, SIDE SKIN, LH
10	1	1011159	STIFFENER, SIDE SKIN, RH
11	1	1011160	STIFFENER, SIDE SKIN, LH
12	1	1011161	STIFFENER, SIDE SKIN, RH
13	1	1011162	STIFFENER, SIDE SKIN, LH
14	1	1011163	STIFFENER, SIDE SKIN, RH
15	1	1011164	STIFFENER, SIDE SKIN, LH
16	1	1011165	STIFFENER, SIDE SKIN, RH
17	1	1011166	STIFFENER, SIDE SKIN, LH
18	1	1011167	STIFFENER, SIDE SKIN, RH
19	1	1011168	STIFFENER, SIDE SKIN, LH
20	1	1011169	STIFFENER, SIDE SKIN, RH
21	1	1011170	STIFFENER, SIDE SKIN, LH
22	1	1011171	STIFFENER, SIDE SKIN, RH
23	1	1011172	STIFFENER, SIDE SKIN, LH
24	1	1011173	STIFFENER, SIDE SKIN, RH
25	1	1011174	STIFFENER, SIDE SKIN, LH
26	1	1011175	STIFFENER, SIDE SKIN, RH
27	1	1011176	STIFFENER, SIDE SKIN, LH
28	1	1011177	STIFFENER, SIDE SKIN, RH
29	1	1011178	STIFFENER, SIDE SKIN, LH
30	1	1011179	STIFFENER, SIDE SKIN, RH

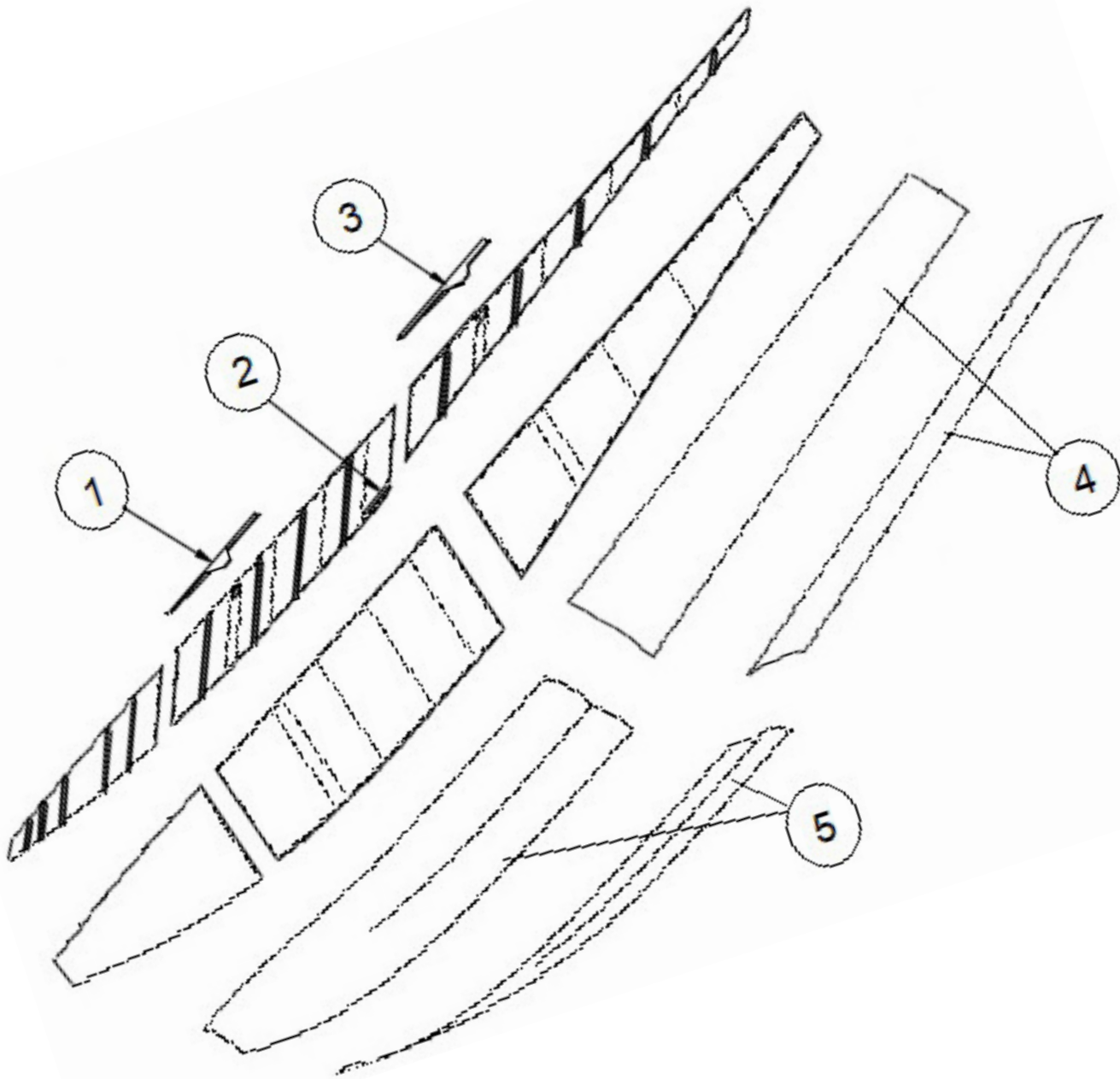
## BOTTOM SKINS, DOUBLERS, & PADDLE - AMPHIBIAN



PARTS MANUAL  
3000 FLOATS ON CESSNA 182

ITEM	QTY	PART NO.	PART DESCRIPTION
1	1	30A01000-358	STEP – BOARDING
2	2	30A01156-144	REINFORCEMENT – COVER
3	2	21A01000-427	COVER SIDE ACCESS ASSY.
	56	AN526-632R6	SCREW – ATTACH
4	1	30A01151-103	BOTTOM SKIN FWD L.
	1	30A01151-102	BOTTOM SKIN FWD R.
5	1	30A01148-037	BOTTOM SKIN AFTERBODY L.
	1	30A01148-038	BOTTOM SKIN AFTERBODY R.
	1	34A01150-147	DOUBLER, AFT, BOTTOM SKIN (NOT SHOWN)
	1	34A01150-148	DOUBLER, AFT, BOTTOM SKIN (NOT SHOWN)
	1	1005715	DOUBLER, WHEEL WELL, AFT, BTM SKN (NOT SHOWN)
	1	1005716	DOUBLER, WHEEL WELL, AFT, BTM SKN (NOT SHOWN)
6	1	30A01162-047	DOUBLER – GUNWALL AFT L.
	1	30A01162-048	DOUBLER – GUNWALL AFT R.
7	1	30A01162-045	DOUBLER – GUNWALL FWD L.
	1	30A01162-046	DOUBLER – GUNWALL FWD R.
8	1	3A01158-093	BRACKET, CANOE PADDLE (NOT SHOWN)
	1	3A01503-001	CLIP (NOT SHOWN)
	1	6A01156-059	BRACKET, CANOE PADDLE STOP, LH (NOT SHOWN)
	1	6A01156-058	BRACKET, CANOE PADDLE STOP, RH (NOT SHOWN)
	2	0238-0050	PADDLE, 5 FT, BEAVER BRAND (NOT SHOWN)

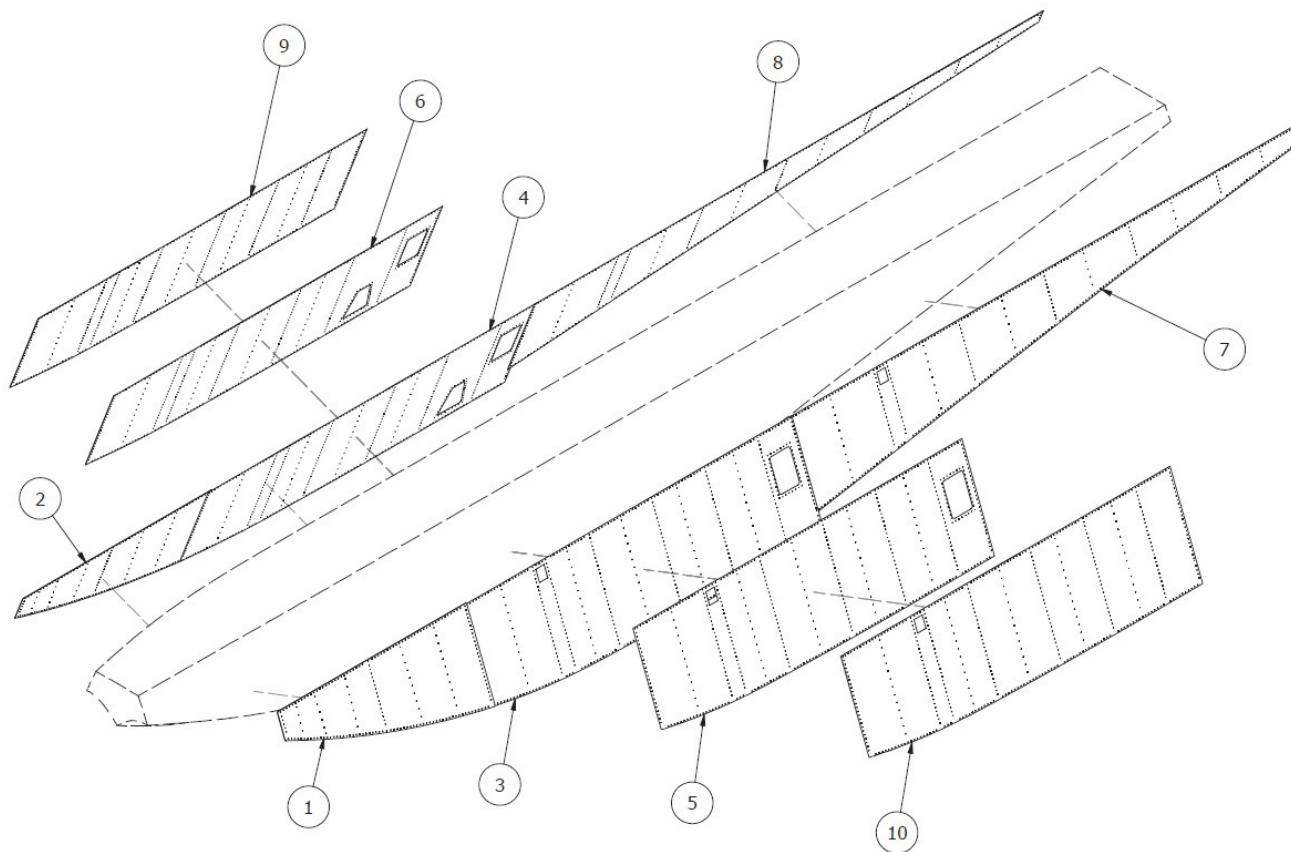
## BOTTOM SKINS, DOUBLERS & PADDLE - SEAPLANE



PARTS MANUAL  
3000 FLOATS ON CESSNA 182

ITEM	QTY	PART NO.	PART DESCRIPTION
1	1	30A01162-045	DOUBLER – GUNWALL FWD L.
	1	30A01162-046	DOUBLER – GUNWALL FWD R.
2	2	30A01340-154	DOUBLER – AFT CHINE
3	1	30A01162-047	DOUBLER – GUNWALL AFT L.
	1	30A01162-048	DOUBLER – GUNWALL AFT R.
4	1	30S01148-041	BOTTOM SKIN AFTERBODY L.
	1	30S01148-042	BOTTOM SKIN AFTERBODY R.
	1	3A01158-093	BRACKET, CANOE PADDLE
	1	3A01503-001	CLIP
5	1	30A01151-103	BOTTOM SKIN FWD L.
	1	30A01151-102	BOTTOM SKIN FWD R.
6	1	6A01156-059	BRACKET, CANOE PADDLE STOP, L/H (NOT SHOWN)
	1	6A01156-058	BRACKET, CANOE PADDLE STOP, R/H (NOT SHOWN)
	2	0238-0050	PADDLE, 5 FT, BEAVER BRAND (NOT SHOWN)
	1	3A01158-093	BRACKET, CANOE PADDLE (NOT SHOWN)
	1	3A01503-001	CLIP (NOT SHOWN)

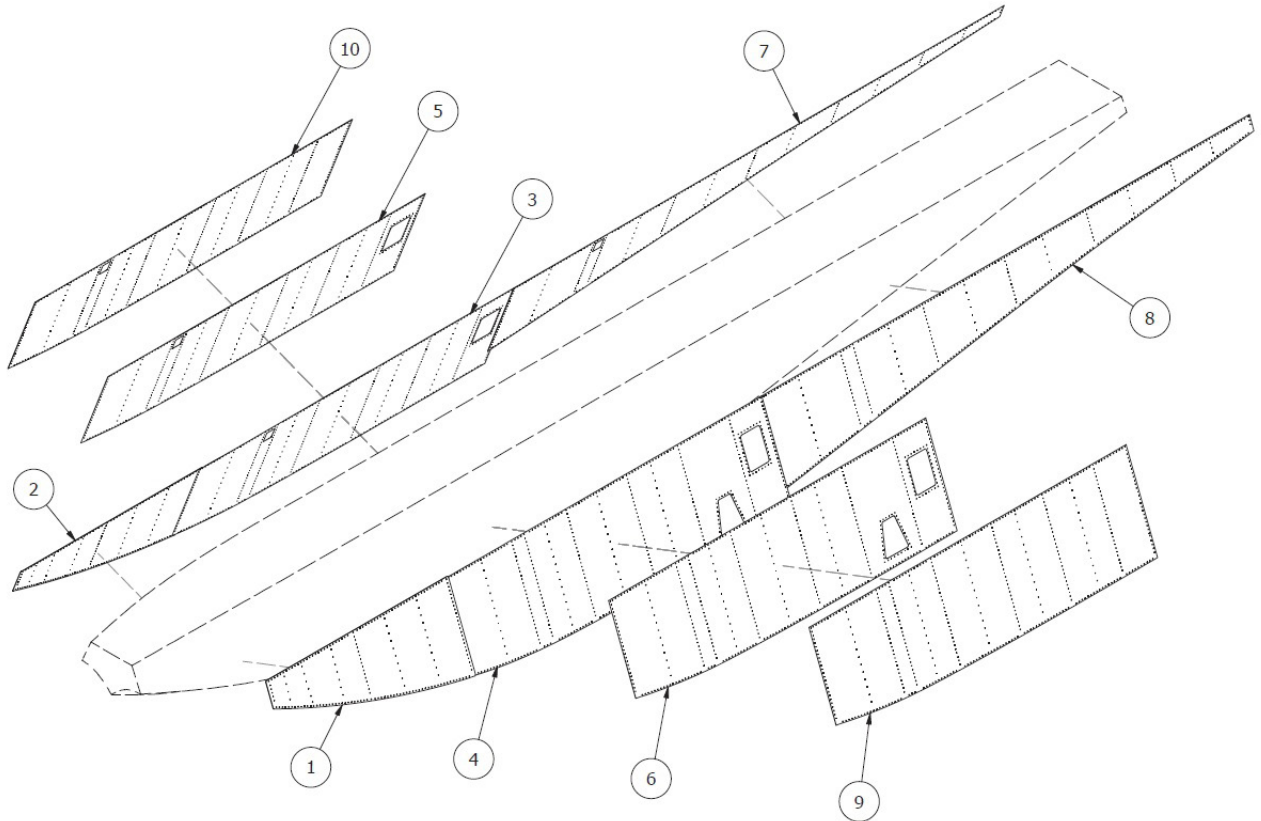
## RIGHT FLOAT SIDE SKINS



ITEM	QTY	PART NO.	PART DESCRIPTION
1	1	1011180	SKIN, SIDE, FWD, LH
2	1	1011181	SKIN, SIDE, FWD, RH
3	1	1011182	SKIN, SIDE, MID, INBRD, RH
4	1	1011185	SKIN, SIDE, MID, OUTBRD, RH
5	1	1011186	SKIN, SIDE, MID, INBRD, RH
6	1	1011189	SKIN, SIDE, MID, OUTBRD, RH
7	1	1011190	SKIN, SIDE, AFT, INBRD, RH
8	1	1011193	SKIN, SIDE, AFT, OUTBRD, RH
9	1	1011331	SKIN, SIDE, MID, OUTBRD, RH
10	1	1011332	SKIN, SIDE, MID, INBRD, RH



## LEFT FLOAT SIDE SKINS



ITEM	QTY	PART NO.	PART DESCRIPTION
1	1	1011180	SKIN, SIDE, FWD, LH
2	1	1011181	SKIN, SIDE, FWD, RH
3	1	1011183	SKIN, SIDE, MID, INBRD, LH
4	1	1011184	SKIN, SIDE, MID, OUTBRD, LH
5	1	1011187	SKIN, SIDE, MID, INBRD, LH
6	1	1011188	SKIN, SIDE, MID, OUTBRD, LH
7	1	1011191	SKIN, SIDE, AFT, INBRD, LH
8	1	1011192	SKIN, SIDE, AFT, OUTBRD, LH
9	1	1011330	SKIN, SIDE, MID, OUTBRD, LH
10	1	1011333	SKIN, SIDE, MID, INBRD, LH

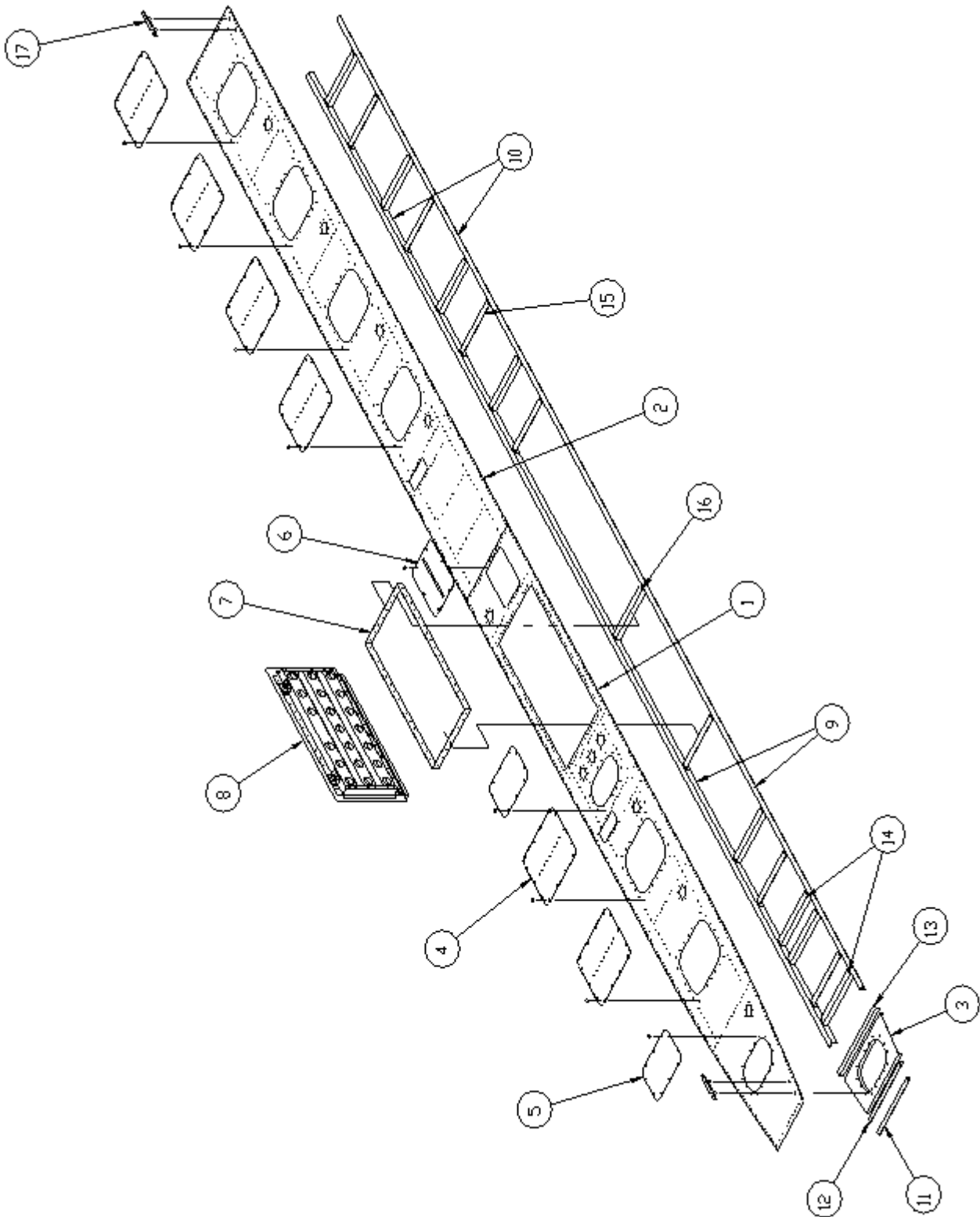
THIS PAGE INTENTIONALLY LEFT BLANK

## SECTION 4 TOP DECK ASSEMBLY

### CONTENTS

TOP DECK - AMPHIBIAN .....	44
TOP DECK - SEAPLANE .....	47

### TOP DECK - AMPHIBIAN

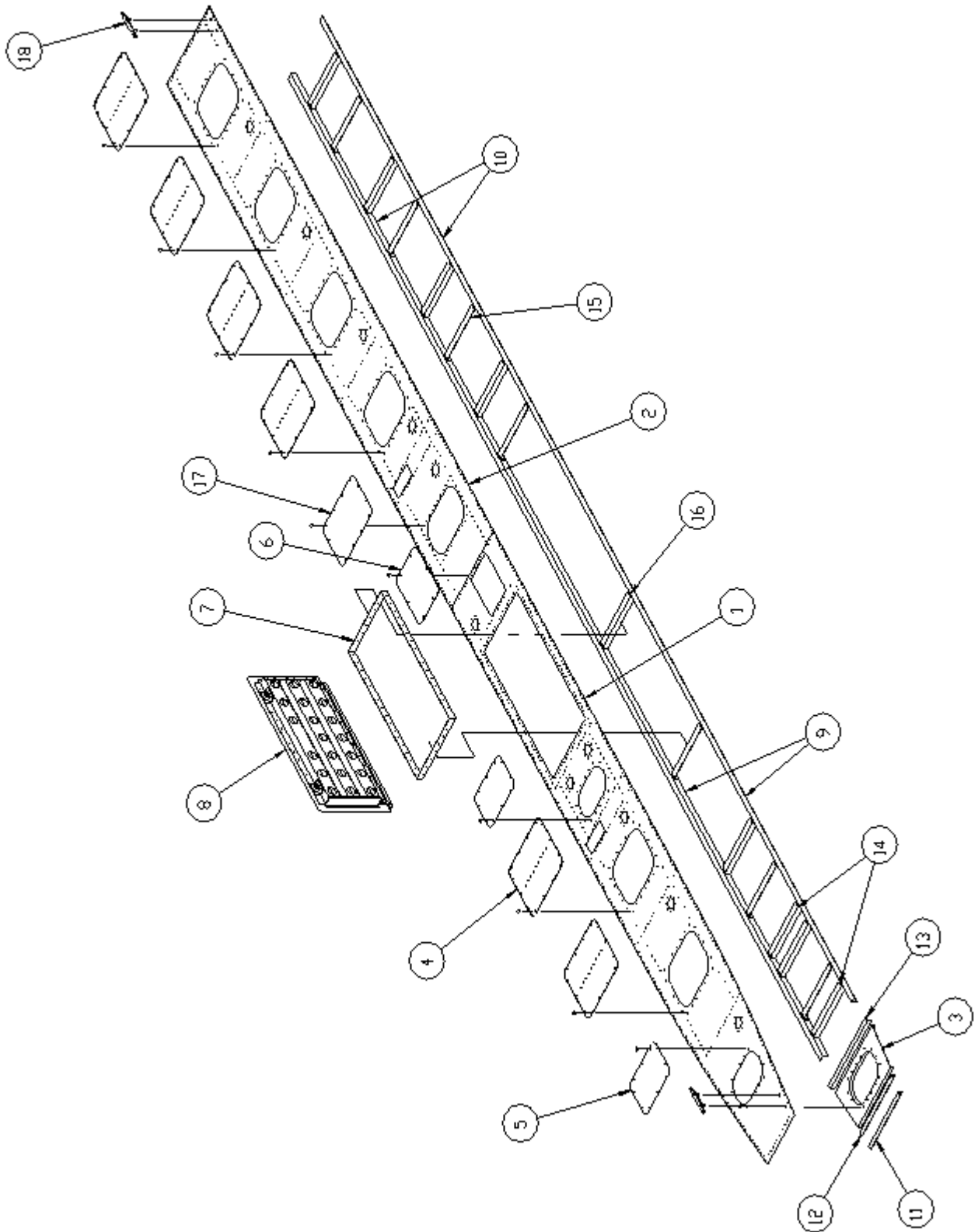


PARTS MANUAL  
3000 FLOATS ON CESSNA 182

ITEM	QTY	PART NO.	PART DESCRIPTION
1	1	30A01148-001	SKIN – FWD SECTION L.
	1	1005565	SKIN – FWD SECTION L. (ALUM. GEAR)
	1	30A01148-002	SKIN – FWD SECTION R.
	1	1005566	SKIN – FWD SECTION R. (ALUM. GEAR)
2	1	30A01148-003	SKIN – AFT SECTION L.
	1	30A01148-004	SKIN – AFT SECTION R.
3	1	21A01002-131	SUPPORT – INSP. COVER – SMALL
	A/R	9A3-671	NUT – TINNERMAN
	A/R	COMM.	TAPE – INSULATOR
4	6	21A01000-258	INSP. COVER – LARGE - W/ ANGLE & GASKETS
	A/R	#8 X 5/8	SCREW – ATTACH
	6	1001437	SEAL – GASKET ONLY
5	2	21A01000-284	INSP. COVER – SMALL & GASKETS
	A/R	#8 X 5/8	SCREW – ATTACH
	2	21A01000-284	SEAL – GASKET ONLY
6	1	30A01002-203	COVER – GEAR INDICATOR L.
	1	1005561	COVER – GEAR INDICATOR L. (ALUM. GEAR)
	1	30A01002-202	COVER – GEAR INDICATOR R.
	1	1005560	COVER – GEAR INDICATOR R. (ALUM. GEAR)
	1	10A3-6338-1	PLACARD – DOWN - LAND
	1	10A3-6338-2	PLACARD – UP - WATER
	2	2600-4	SCREW – CAM - LOK
	4	2600-5	SCREW – CAM – LOK
	6	212-12N	RECEPTACLE – CAM – LOK
7	1	30A01162-042	JAMB – BAGGAGE DOOR
	1	1001573	JAMB – BAGGAGE DOOR, HINGE SIDE
8	1	30A01000-324	ASS'Y. BAGGAGE DOOR
	1	30A01162-041	COVER - SKIN
	1	1002186	PIN, HINGE
	1	30A01004-145	STIFFENER – DOOR
	2	30A01004-144	STIFFENER - DOOR
	2	4A01004-049	STIFFENER ENDS
	2	3A01206-001	RETAINER - LOCK
	2	3A01273-004	LOCK PIN
	2	3A01702-001	CATCH – LATCH
	2	3A01525-003	LOCK SPRING
	2	1001838	RING – OPENING
	1	1001499	SEAL – GASKET (NOT SHOWN)
	2	1002663	RING, BAGGAGE LOCK
	1	30A01740-007	HINGE, BAGGAGE COVER 3/4"
	1	30A01741-006	HINGE, BAGGAGE COVER 1 ½ "

ITEM	QTY	PART NO.	PART DESCRIPTION
	2	3A01702-004	BOLT, BAGGAGE BAY COVER (MODIFIED)
9	1	30A01326-025	TOP RAIL – FWD L.
	1	30A01326-024	TOP RAIL – FWD R.
10	1	30A01326-029	TOP RAIL – AFT L.
	1	30A01326-028	TOP RAIL – AFT R.
11	1	30A01340-175	STIFFENER
12	1	30A01340-176	STIFFENER
13	1	30A01340-177	STIFFENER
14	2	30A01326-032	STIFFENER
15	A/R	30A01326-022	STIFFENER
16	2	30A01326-030	STIFFENER – BAGGAGE DOOR
17	2	30A01213-007	CLEAT – TIE DOWN
	4	AN4-7A	BOLT
	4	NAS1149D0463J	WASHER
	4	MS21083N4	NUT

### TOP DECK - SEAPLANE



ITEM	QTY	PART NO.	PART DESCRIPTION
1	1	30A01148-001	SKIN – FWD SECTION L.
	1	30A01148-002	SKIN – FWD SECTION R.
2	1	30A01148-003	SKIN – AFT SECTION L.
	1	30A01148-004	SKIN – AFT SECTION R.
3	1	21A01002-131	SUPPORT – INSP. COVER – SMALL
	A/R	9A3-671	NUT – TINNERMAN
	A/R	COMM.	TAPE – INSULATOR
4	6	21A01000-258	INSP. COVER – LARGE - W/ ANGLE & GASKETS
	A/R	#8 X 5/8	SCREW – ATTACH
	6	1001437	SEAL – GASKET ONLY
5	2	21A01000-284	INSP. COVER – SMALL & GASKETS
	A/R	#8 X 5/8	SCREW – ATTACH
	2	1001728	SEAL – GASKET ONLY
6	1	21S01000-399	ASS'Y. ACCESS COVER
	1	21S01008-171	COVER, ACCESS
	1	1002110	RETRACT COVER (GASKET ONLY)
7	1	30A01162-042	JAMB – BAGGAGE DOOR
	1	1001573	JAMB - BAGGAGE DOOR HINGE SIDE
8	1	30A01000-324	ASS'Y. BAGGAGE DOOR
	1	30A01162-041	COVER - SKIN
	1	1002186	PIN, HINGE
	1	30A01004-145	STIFFENER – DOOR
	2	30A01004-144	STIFFENER - DOOR
	2	4A01004-049	STIFFENER ENDS
	2	3A01206-001	RETAINER - LOCK
	2	3A01273-004	LOCK PIN
	2	3A01702-001	CATCH – LATCH
	2	3A01525-003	LOCK SPRING
	2	1001838	RING – OPENING
	1	1001499	SEAL – GASKET (NOT SHOWN)
	2	1002663	RING, BAGGAGE LOCK
	1	30A01740-007	HINGE, BAGGAGE COVER 3/4"
	1	30A01741-006	HINGE, BAGGAGE COVER 1 ½ "
	2	3A01702-004	BOLT, BAGGAGE BAY COVER(MODIFIED)
9	1	30A01326-025	TOP RAIL – FWD L.
	1	30A01326-024	TOP RAIL – FWD R.
10	1	30A01326-029	TOP RAIL – AFT L.
	1	30A01326-028	TOP RAIL – AFT R.
11	1	30A01340-175	STIFFENER
12	1	30A01340-176	STIFFENER
13	1	30A01340-177	STIFFENER



PARTS MANUAL  
3000 FLOATS ON CESSNA 182

ITEM	QTY	PART NO.	PART DESCRIPTION
14	2	30A01326-032	STIFFENER
15	A/R	30A01326-022	STIFFENER
16	1	30A01326-030	STIFFENER – BAGGAGE DOOR
17	1	30S01000-409	ASS'Y. COVER, ACCESS
	1	30S01005-392	COVER, ACCESS
	1	#8 X 5/8	SCREW – ATTACH
	1	1002109	COVER, ACCESS (GASKET ONLY)
18	2	30A01213-007	CLEAT – TIE DOWN
	4	NAS1149D0463J	WASHER
	4	MS21083N4	NUT

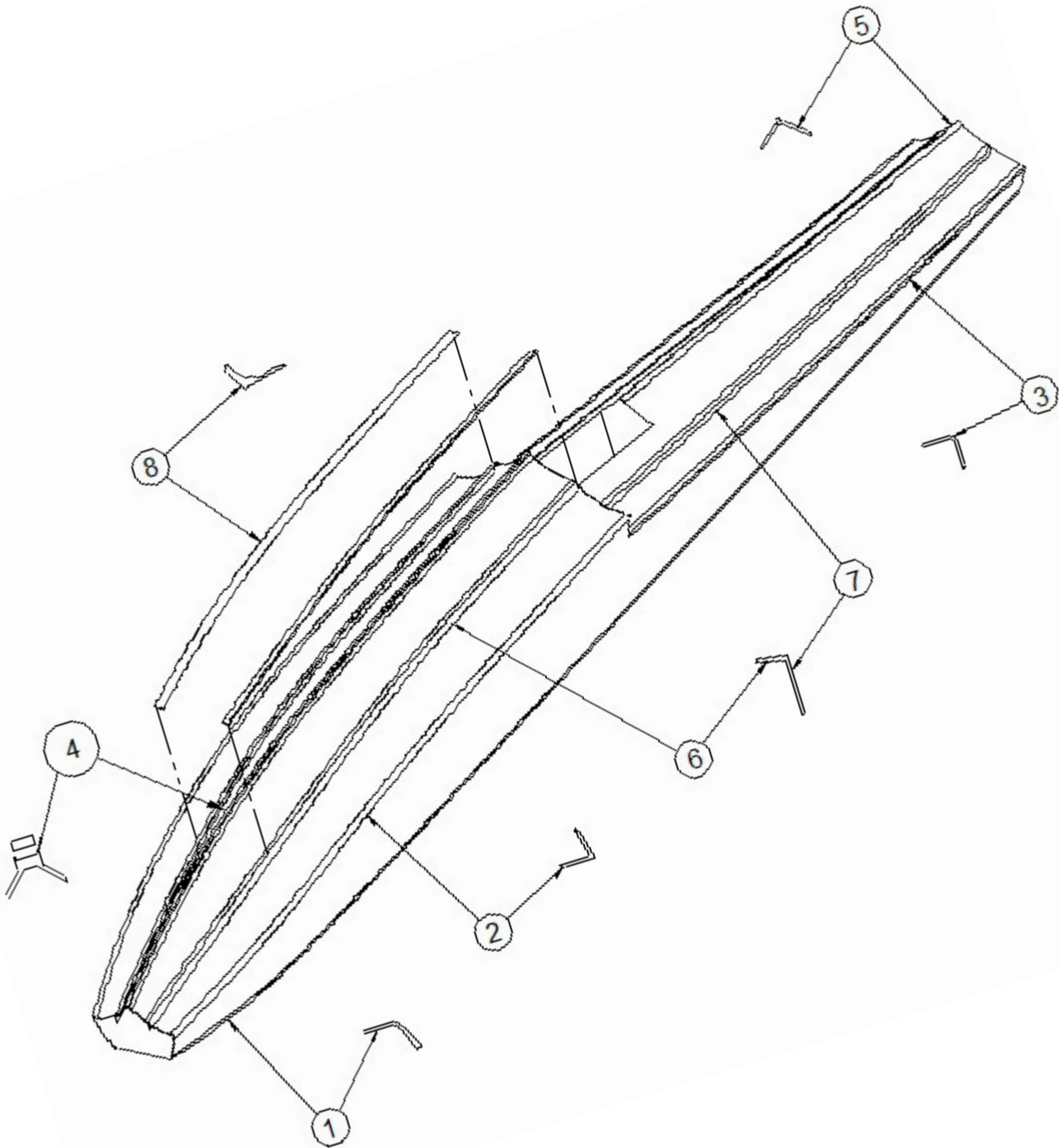
THIS PAGE INTENTIONALLY LEFT BLANK

## **SECTION 5 EXTRUSIONS**

### **CONTENTS**

HULL EXTRUSIONS - AMPHIBIAN .....	52
HULL EXTRUSIONS - SEAPLANE .....	54

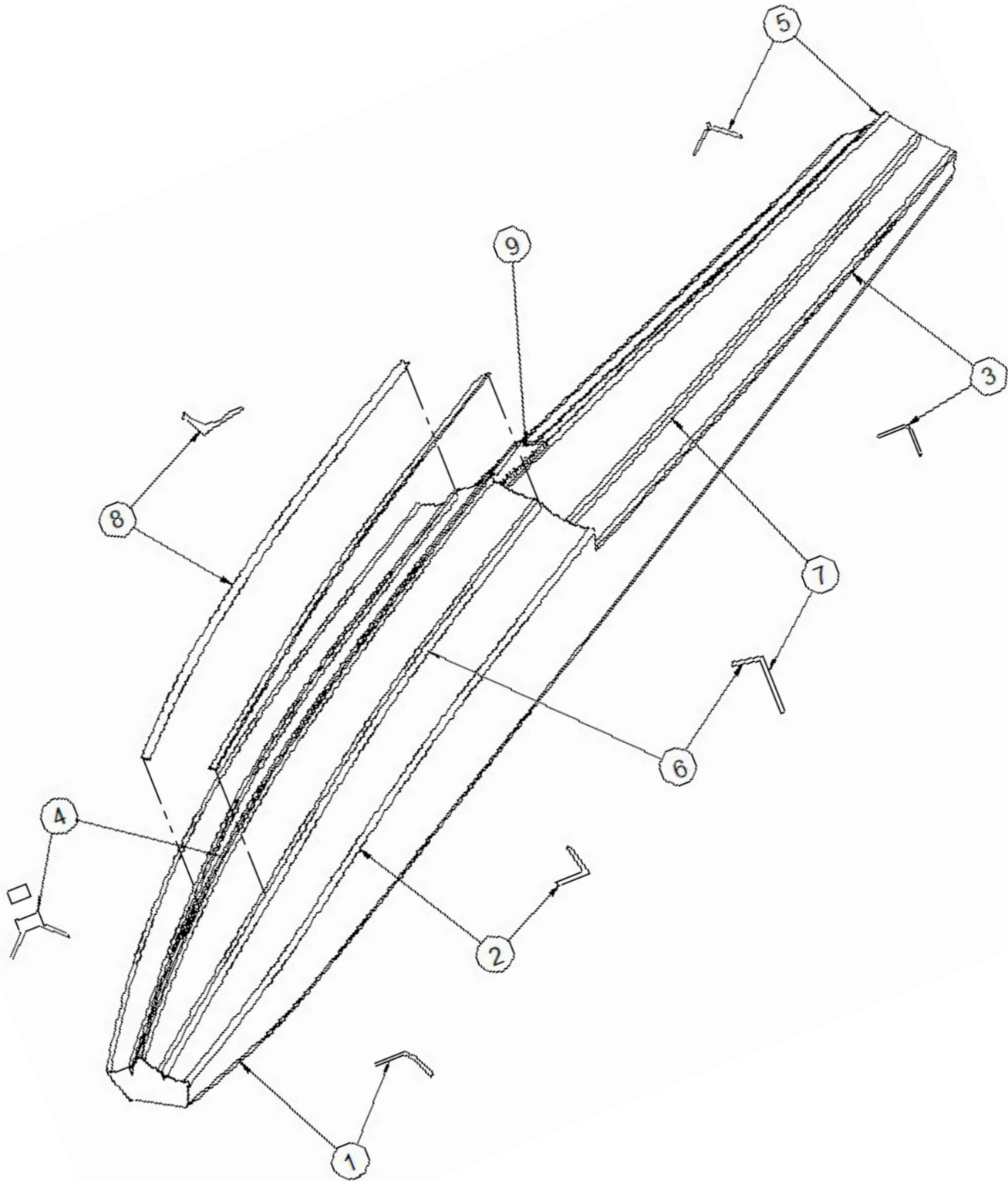
### HULL EXTRUSIONS - AMPHIBIAN



PARTS MANUAL  
3000 FLOATS ON CESSNA 182

ITEM	QTY	PART NO.	PART DESCRIPTION
1	1	30A01324-005	GUNWALL – L.
	1	30A01324-006	GUNWALL – R.
2	1	30A01394-001	CHINE - FWD L.
	1	30A01394-002	CHINE – FWD R.
3	1	30A01395-001	CHINE – AFTERBODY L.
	1	30A01395-002	CHINE – AFTERBODY R.
4	1	30A01377-001	KEEL - MAIN
	1	3A01200-001	STRIP, WEAR
5	1	30A01425-001	KEEL - AFTERBODY
6	1	30A01361-037	SISTER KEEL – FWD L.
	1	30A01361-038	SISTER KEEL – FWD R.
7	1	30A01361-039	SISTER KEEL – AFT L.
	1	30A01361-040	SISTER KEEL – AFT R.
8	1	30A01342-009	SISTER KEEL – OUTER L.
	1	30A01342-010	SISTER KEEL – OUTER R.

## HULL EXTRUSIONS - SEAPLANE



PARTS MANUAL  
3000 FLOATS ON CESSNA 182

ITEM	QTY	PART NO.	PART DESCRIPTION
1	1	30A01324-005	GUNWALL – L.
	1	30A01324-006	GUNWALL – R.
2	1	30A01394-001	CHINE - FWD L.
	1	30A01394-002	CHINE – FWD R.
3	1	30A01395-001	CHINE – AFTERBODY L.
	1	30A01395-002	CHINE – AFTERBODY R.
4	1	1001120	KEEL - MAIN
	1	3A01200-001	STRIP, WEAR
5	1	30S01425-003	KEEL - AFTERBODY
6	1	30A01361-037	SISTER KEEL – FWD L.
	1	30A01361-038	SISTER KEEL – FWD R.
7	1	30S01361-043	SISTER KEEL – AFT L.
	1	30S01361-044	SISTER KEEL – AFT R.
8	1	30A01342-009	SISTER KEEL – OUTER L.
	1	30A01342-010	SISTER KEEL – OUTER R.
9	1	30S01163-085	ANGLE SUPPORT – AFTERBODY L.
	1	30S01163-086	ANGLE SUPPORT – AFTERBODY R.

THIS PAGE INTENTIONALLY LEFT BLANK

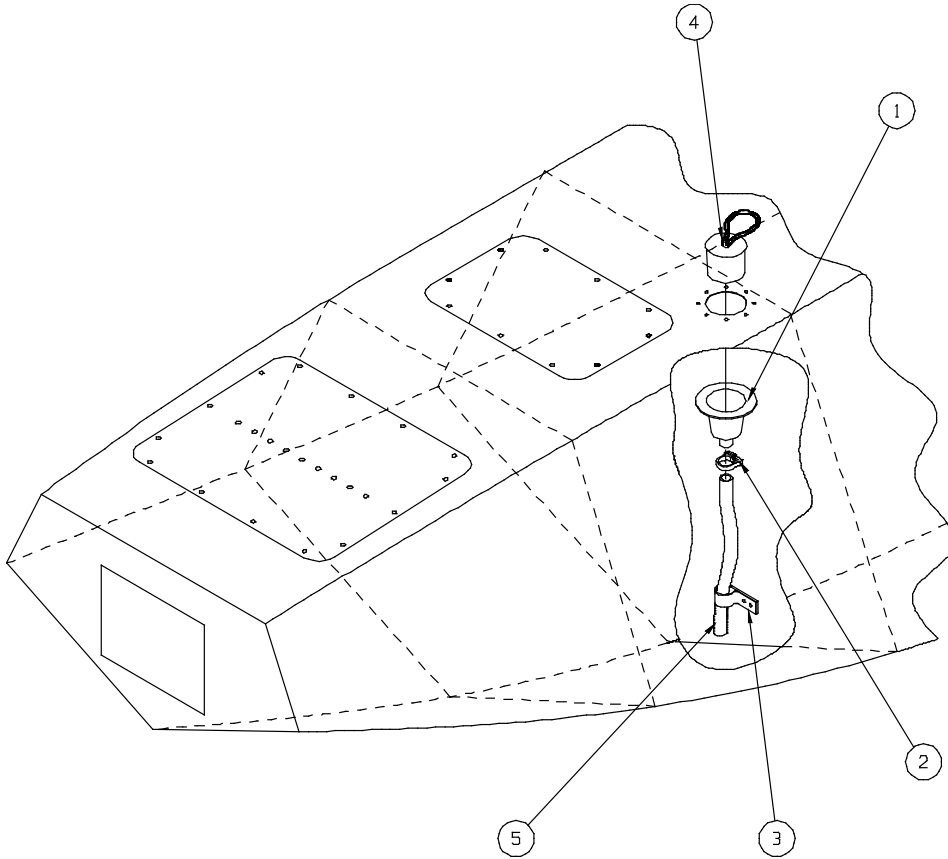


## SECTION 6 PUMPER TUBE INSTALLATION

### CONTENTS

PUMPER TUBE .....	58
-------------------	----

## PUMPER TUBE



ITEM	QTY	PART NO.	PART DESCRIPTION
1	11	4A01749-001	CUP – PUMPOUT ALUM.
	A/R	AN470AD4-4	RIVETS
2	11	57134	CLAMP – UPPER END
3	1	3A01158-003	CLAMP – LOWER END
4	11	2111	STOPPER – PUMPER TUBE
5	1	30A01618-064	PUMPOUT TUBE 18.5 IN.
	1	30A01618-065	PUMPOUT TUBE 24.5
	1	30A01618-066	PUMPOUT TUBE 26.5
	1	30A01618-067	PUMPOUT TUBE 29.0
	1	30A01618-068	PUMPOUT TUBE 23.0
	1	30A01618-069	PUMPOUT TUBE 26.5
	1	30A01618-070	PUMPOUT TUBE 22.0
	1	30A01618-071	PUMPOUT TUBE 18.0
	1	30A01618-072	PUMPOUT TUBE 15.5
	1	30A01618-073	PUMPOUT TUBE 12.5
	1	30A01618-074	PUMPOUT TUBE 25.0

## SECTION 7 WATER RUDDER, STEERING, AND RETRACT CABLES

### CONTENTS

WATER RUDDER INSTALLATION.....	60
STEERING & RETRACT SYSTEM INSTALLATION.....	63
RETRACT HANDLE ASSEMBLY .....	66

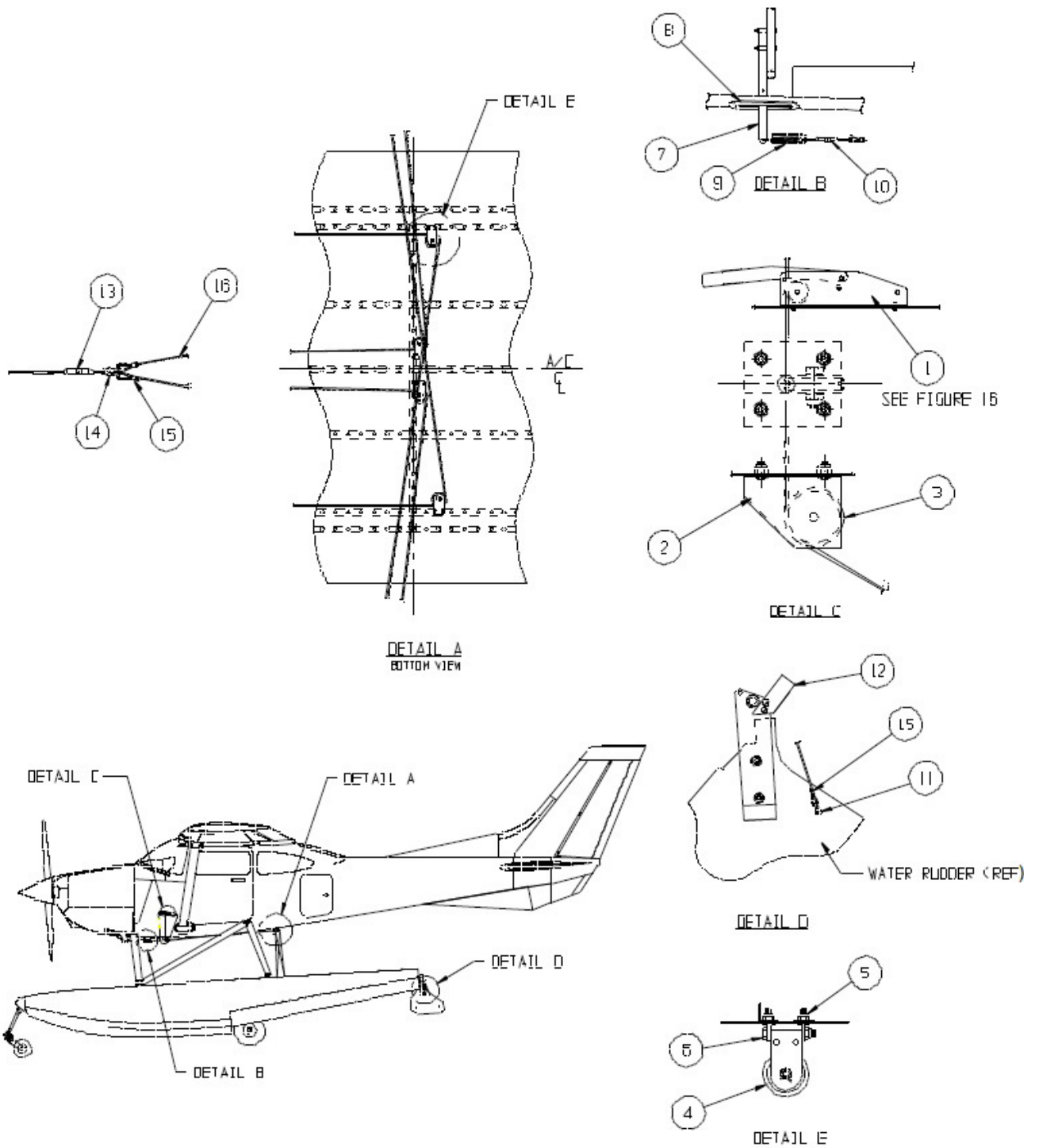


PARTS MANUAL  
3000 FLOATS ON CESSNA 182

ITEM	QTY	PART NO.	PART DESCRIPTION
1	1	#10-32 X 1.5 SS	STAINLESS STEEL SCREW
2	1	1032 X 2INCH SS	BOLT, SSTL MACHINE HEX HEAD, 3/16" DIA, 2" LENGTH
3	1	30A01000-343	ASSEMBLY, BULKHEAD #14
3.1	1	1008934	ASSEMBLY, MOUNT, PIVOT, WATER RUDDER
3.1.1	4	03DU04	SELF LUBRICATING BUSHINGS
3.1.2	1	1008934	MOUNT, PIVOT, WATER RUDDER
3.2	1	30A01158-207	BULKHEAD #14
4	1	34A08205-007	STOP, WATER RUDDER LOCK, LT, C182
5	1	34A08205-008	STOP, WATER RUDDER LOCK, RT, C182
6	2	3A08502-001	SPACER, WATER RUDDER RETRACT ROLLER, LONG
7	2	3A08525-001	SPRING, RUDDER RETRACT
8	1	3A08605-001	CABLE GUIDE
9	2	3A08606-001	ROLLER, CABLE RETRACT, LOWER
10	1	3A08650-001	BOOT, WATER RUDDER
11	1	4A08000-094	ASSEMBLY, WATER RUDDER
11.1	1	4A08000-062	ASSEMBLY, WATER RUDDER BLADE
11.1.1	1	4A08001-026	BLADE, WATER RUDDER
11.1.2	2	4A08001-027	DOUBLER, WATER RUDDER
11.2	1	4A08197-008	ARM - WATER RUDDER, CONTROL, RH
11.3	1	4A08197-009	ARM - WATER RUDDER, CONTROL, LH
11.4	2	AN4-10A	BOLT, 1/4-28, 0.5625 GRIP, UNDRILLED, STEEL
11.5	2	NAS1149D0416J	WASHER, 0.265 ID, 0.016 THK, ALUMINUM
11.6	2	NAS1149D0463J	WASHER, 0.265 ID, 0.063 THK, ALUMINUM
11.7	2	NAS679-A4W	KAYNAR NUT
12	1	6A08183-005	STOP, WATER RUDDER
13	1	8A08000-098	ASSY, WATER RUDDER POST
13.1	1	3A08000-096	ASSEMBLY, PIVOT, WATER RUDDER
13.1.1	4	06DU08	BUSHING, SELF LUBRICATING, .375 ID X .500 LONG
13.1.2	1	3A08000-096B	BLANK, PIVOT, WATER RUDDER
14	1	AN3-13A	BOLT, 10-32, 1 GRIP, UNDRILLED, STEEL
15	1	AN3-6A	BOLT, 10-32, 0.375 GRIP, UNDRILLED, STEEL
16	2	AN3C10A	BOLT, 10-32, 0.625 GRIP, UNDRILLED, STAINLESS STEEL
17	4	AN526-1032R10	SCREW, MACHINE, TRUSS HEAD
18	1	AN6C34A	BOLT, 3/8-24, 2.9375 GRIP, UNDRILLED, STEEL
19	1	MS20392-2C11	CLEVIS PIN
20	1	MS21044N3	NUT, LOCKING, REGULAR HEIGHT, 10-32 UNF
21	1	MS21083N6	NUT, LOCKING, LOW HEIGHT, 3/8-24 UNF
22	1	MS24665-151	COTTER PIN
23	2	MS35207-283	SCREW, PAN HEAD, CROSS-RECESSED, 1/4-28, 1.0 LONG
24	4	MS35333-39	STAR WASHER
25	4	NAS1149D0316J	WASHER, 0.203 ID, 0.016 THK, ALUMINUM

<b>ITEM</b>	<b>QTY</b>	<b>PART NO.</b>	<b>PART DESCRIPTION</b>
26	4	NAS1149D0363J	WASHER, 0.203 ID, 0.063 THK, ALUMINUM
27	4	NAS1149D0463J	WASHER, 0.265 ID, 0.063 THK, ALUMINUM
28	6	NAS1149F0663P	WASHER, 0.39 ID, 0.063 THK, STEEL
29	1	NAS1435K3	SHACKLE
30	7	NAS679-A3W	KAYNAR NUT
31	4	NAS679-A4W	KAYNAR NUT

## STEERING & RETRACT SYSTEM INSTALLATION



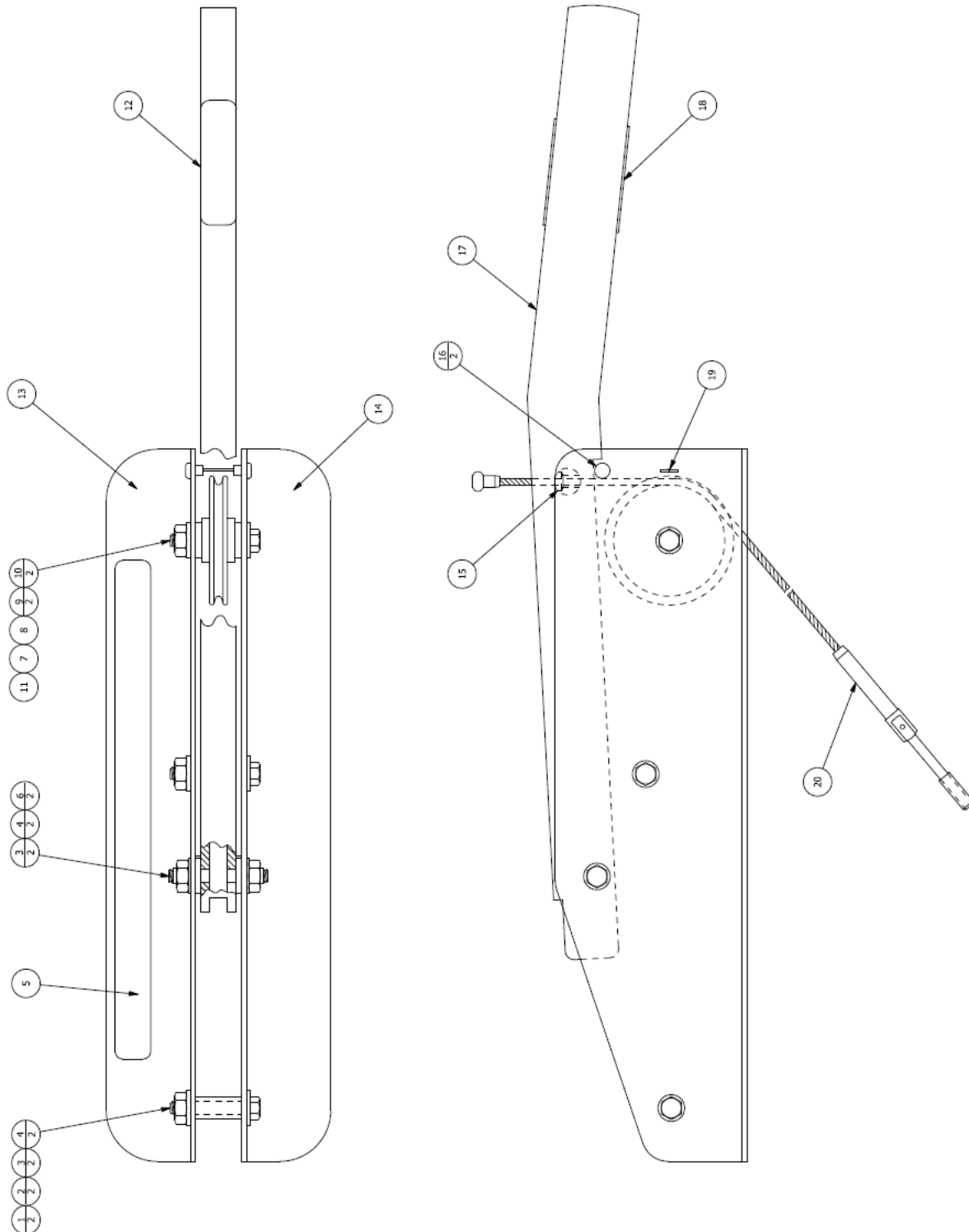
ITEM	QTY	PART NO.	PART DESCRIPTION
1	1	21A08000-128	ASS'Y, RETRACT HANDLE (SEE DETAIL)
	4	AN526-1032R8	SCREW - ATTACH
	4	NAS1149D0332J	WASHER
	4	MS21044N3	NUT
2	1	3A08151-046	PULLEY BRACKET
	4	AN526-1032R8	SCREW - ATTACH
	4	NAS1149D0316J	WASHER
	4	MS21044N3	NUT
3	1	MS20219-2	PULLEY
	1	AN4-7A	BOLT
	1	NAS1149D0463J	WASHER
	1	MS21044N4	NUT
4	4	21A08000-125	ASS'Y - PULLEY BRACKET
	1	21A08008-150	BRACKET
	1	21A08230-002	SPACER BLOCK
	1	MS20219-2	PULLEY
	1	AN4-7A	BOLT
	1	MS21083N4	NUT
	1	NAS1149D0463J	WASHER
	1	NAS1149D0416J	WASHER
5	8	AN42B4A	EYEBOLT
	8	NAS1149D0363J	WASHER
	8	MS21044N3	NUT
6	4	AN3-16A	BOLT
	4	NAS1149D0332J	WASHER
	4	MS21044N3	NUT
7	1	30A08000-146	ASS'Y - ARM - STEERING
	2	AN3-21A	BOLT - ATTACH
	2	NAS1149D0363J	WASHER
	2	MS21044N3	NUT
8	2	30A12156-156	COVER - SPRING
	2	30A12566-008	SEAL
9	2	21A08525-007	SPRING
10	2	MS21251B3S	TURNBUCKLE - BARREL
	2	MS21255-3RS	EYE - TERMINAL
	2	MS21255-3LS	EYE - TERMINAL
11	2	MS20115-3	SHACKLES
	2	MS20392-2-13	PIN - ATTACH
	2	MS24665-132	PIN - COTTER
	2	NAS1149F0363P	WASHER
12	2	34A08205-007	STOP - WATER RUDDER L.



PARTS MANUAL  
3000 FLOATS ON CESSNA 182

ITEM	QTY	PART NO.	PART DESCRIPTION
	2	34A08205-008	STOP – WATER RUDDER R.
	8	AN526-1032R10	SCREW – ATTACH
	8	NAS1149F0332P	WASHER
	8	MS35333-39	WASHER, LOCK
13	1	MS21251B3S	TURNBUCKLE – BARREL
14	1	AN161-16RS	FORK, TURNBUCKLE
	1	MS20392-2C15	PIN – CLEVIS
	1	MS24665-132	PIN – COTTER
	1	NAS1149F0332P	WASHER
15	4	NAS1435K3	STRAP, FORK END
16	A/R	RM 590	CABLE – (REQUEST LENGTH)

## RETRACT HANDLE ASSEMBLY



PARTS MANUAL  
3000 FLOATS ON CESSNA 182

ITEM	QTY	PART NO.	PART DESCRIPTION
-	1	21A08000-128	ASS'Y, RETRACT HANDLE
1	2	AN3-10A	BOLT SIZE 10-32, LENGTH +/- 1/64 - 1-1/32, GRIP LENGTH 5/8
2	2	3A08613-001	SPACER RETRACT HANDLE
3	6	NAS1149F0332P	WASHER OD.438 ID.203 THK.032
4	4	NAS679A3W	NUT, SELF LOCK, STEEL
5	1	3A3-1115-1	PLACARD, WATER RUDDER RETRACT
6	2	3A08702-006	PIVOT PIN, WATER RUDDER RETRACT HANDLE
7	1	MS20219-2	PULLEY, OUTSIDE DIA 1-3/4", INSIDE DIA 1/4"
8	1	AN4-10A	BOLT SIZE 1/4-28, LENGTH +/- 1/64 - 1-1/32, GRIP LENGTH 9/16
9	2	NAS1149F0463P	WASHER SIZE 1/4 OD.500 ID.265 THK.063
10	2	NAS1149F0432P	WASHER, TO FIT DIA 1/4", LIGHT THICKNESS
11	1	NAS679A4W	NUT, SELF LOCKING, LOW HEIGHT, 1/4-28 THREAD
12	1	3A3-1115-2	PLACARD, DOWN, WATER RUDDER RETRACT
13	1	3A08003-015	L/H, BRACKET, SIDE, WATER RUDDER RETRACT
14	1	3A08003-016	R/H, BRACKET, SIDE, WATER RUDDER RETRACT
15	1	4A08506-002	SWIVEL, RETRACT CABLE HANDLE
16	2	AN470AD4	RIVET
17	1	3A08414-001	HANDLE, RETRACT
18	1	3A3-1115-3	PLACARD, UP, WATER RUDDER RETRACT
19	1	MS24665-285	PIN, COTTER, 3/32" DIA, 1" LENGTH
20	1	21A08000-137	CABLE ASSY, RETRACT

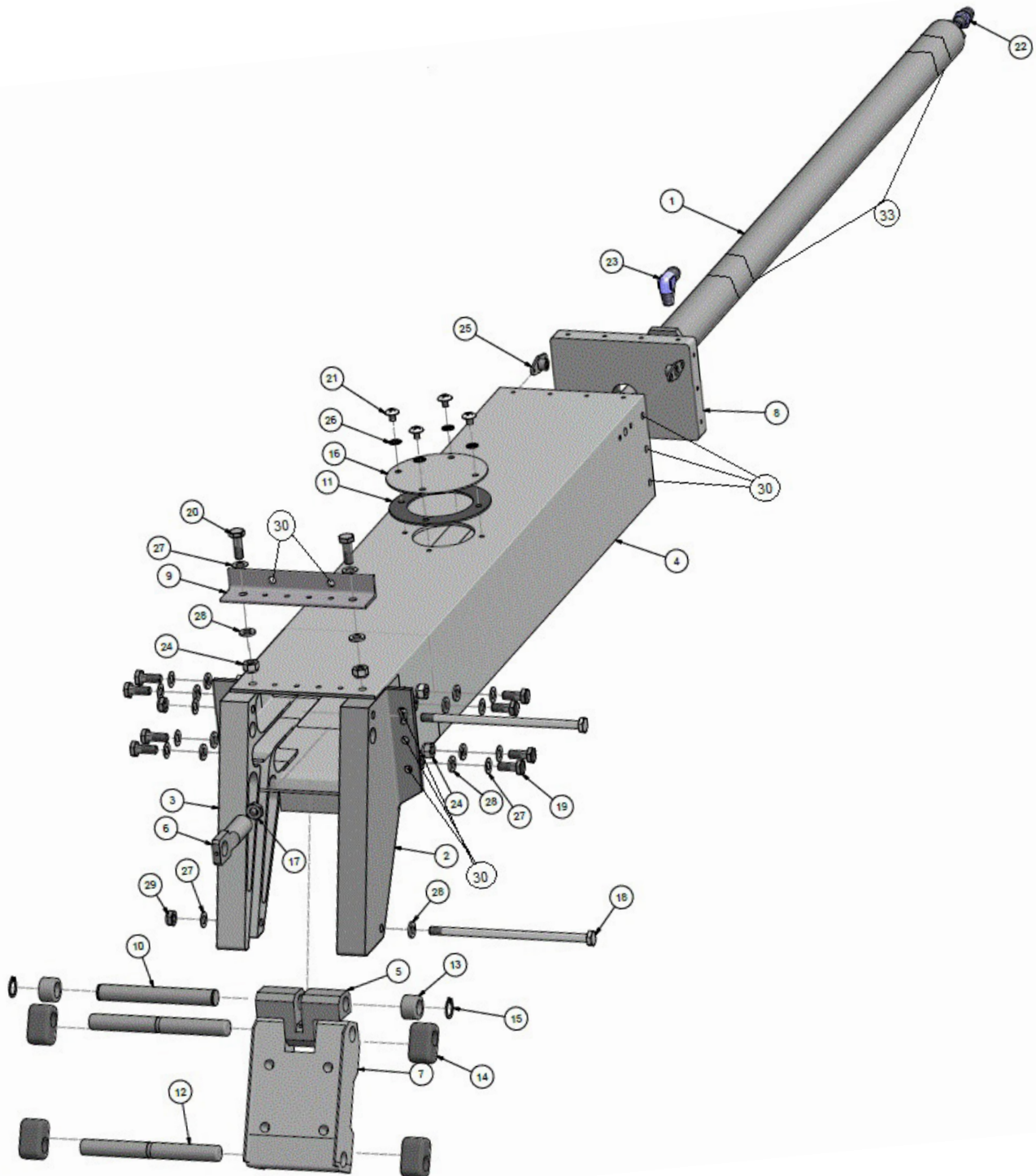
THIS PAGE INTENTIONALLY LEFT BLANK

## SECTION 8 LANDING GEAR

### CONTENTS

NOSE GEAR RETRACTION ASSEMBLY.....	70
NOSE GEAR LOWER ASSEMBLY .....	72
NOSE WHEEL ASSEMBLY (GROVE).....	74
NOSE WHEEL ASSEMBLY (PARKER).....	76
MAIN GEAR INSTALLATION.....	78
MAIN GEAR RETRACTION.....	80
MAIN GEAR HYDRAULIC INSTALLATION.....	82
MAIN GEAR WHEEL ASSEMBLY .....	84
MAIN GEAR SHOCK ASSEMBLY .....	86
MAIN GEAR WITHOUT WHEEL PIVOT ASSEMBLY FOR FLOAT SERIAL NUMBERS 30307A & 30308A AND LATER.....	88
MAIN GEAR WITHOUT WHEEL PIVOT ASSEMBLY FOR FLOAT SERIAL NUMBERS 30305A & 30306A AND PRIOR.....	90
MAIN GEAR WITH WHEEL PIVOT ASSEMBLY FOR FLOAT SERIAL NUMBERS 30307A & 30308A AND LATER.....	92
MAIN GEAR WITH WHEEL PIVOT ASSEMBLY FOR FLOAT SERIAL NUMBERS 30305A & 30306A AND PRIOR.....	94
MAIN GEAR ASSEMBLY .....	96
MAIN GEAR ROTARY ACTUATOR ASSEMBLY.....	99

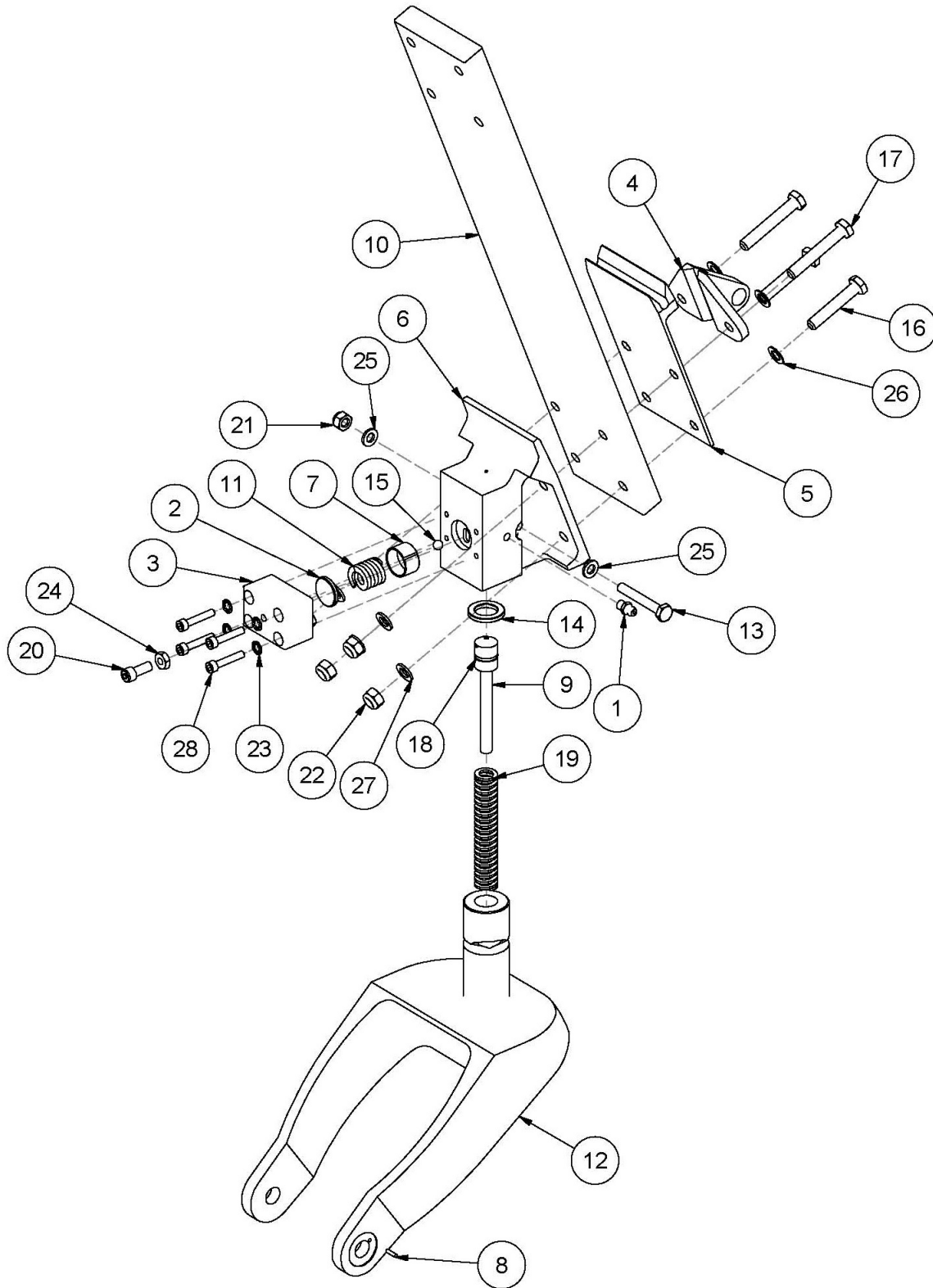
## NOSE GEAR RETRACTION ASSEMBLY



PARTS MANUAL  
3000 FLOATS ON CESSNA 182

ITEM	QTY	PART NO.	PART DESCRIPTION
-	-	30A07000-017	ASSEMBLY, NOSE BOX, 3000/3450
1	1	1002572	CYLINDER, NOSE GEAR, 3000/3450
2	1	1005837	END, NOSE GEAR TRACK LEFT
3	1	1005838	END, NOSE GEAR TRACK, RIGHT
4	1	1005857	NOSE BOX, 3000 FLOAT
5	1	21A07032-005	LINK - TROLLEY, NOSE GEAR
6	1	21A07094-002	END - ROD, CYLINDER, NOSE GEAR
7	1	21A07187-009	TROLLEY - NOSE GEAR
8	1	21A07237-002	END CAP, NOSE BOX
9	1	21A07359-194	EXTRUSION, ANGLE
10	1	21A07509-007	AXLE, TROLLEY LINK
11	1	30A07567-011	GASKET, COVER, NOSE BOX, 2100 AND 3000
12	2	34A07509-008	AXLE, TROLLEY
13	2	3A07530-001	BEARING - TROLLEY, NOSE GEAR
14	4	3A07604-001	BLOCK, SLIDE, TROLLEY, NOSE GEAR
15	2	5100-46-H	SNAP RING
16	1	8A01008-080	COVER, BULKHEAD HYD CYL. HOLE
17	1	AN316-5R	NUT
18	2	AN4-53A	BOLT
19	8	AN4-5A	BOLT
20	2	AN4-6A	BOLT
21	4	AN526-1032R4	SCREW, MACHINE, TRUSS HEAD
22	1	AN816-4D	NIPPLE, FLARED TUBE AND PIPE THREAD
23	1	MS20822-4D	ELBOW
24	10	MS21044N4	NUT
25	2	MS21078-4	NUT PLATE
26	4	MS35333-39	STAR WASHER
27	12	NAS1149D0416J	WASHER
28	12	NAS1149D0463J	WASHER
29	2	NAS679-A4W	KAYNAR NUT
30	10	AN4-5A	BOLT (NOT SHOWN)
	10	NAS1149D0416J	WASHER (NOT SHOWN)
	10	MS21044N4	NUT (NOT SHOWN)
31	1	34A06656-001	NOSE SPRING (NOT SHOWN)
32	1	MS35489-23	GROMMIT (NOT SHOWN)
33	2	3A07005-178	CLIP, SWITCH, NOSE & MAIN

## NOSE GEAR LOWER ASSEMBLY

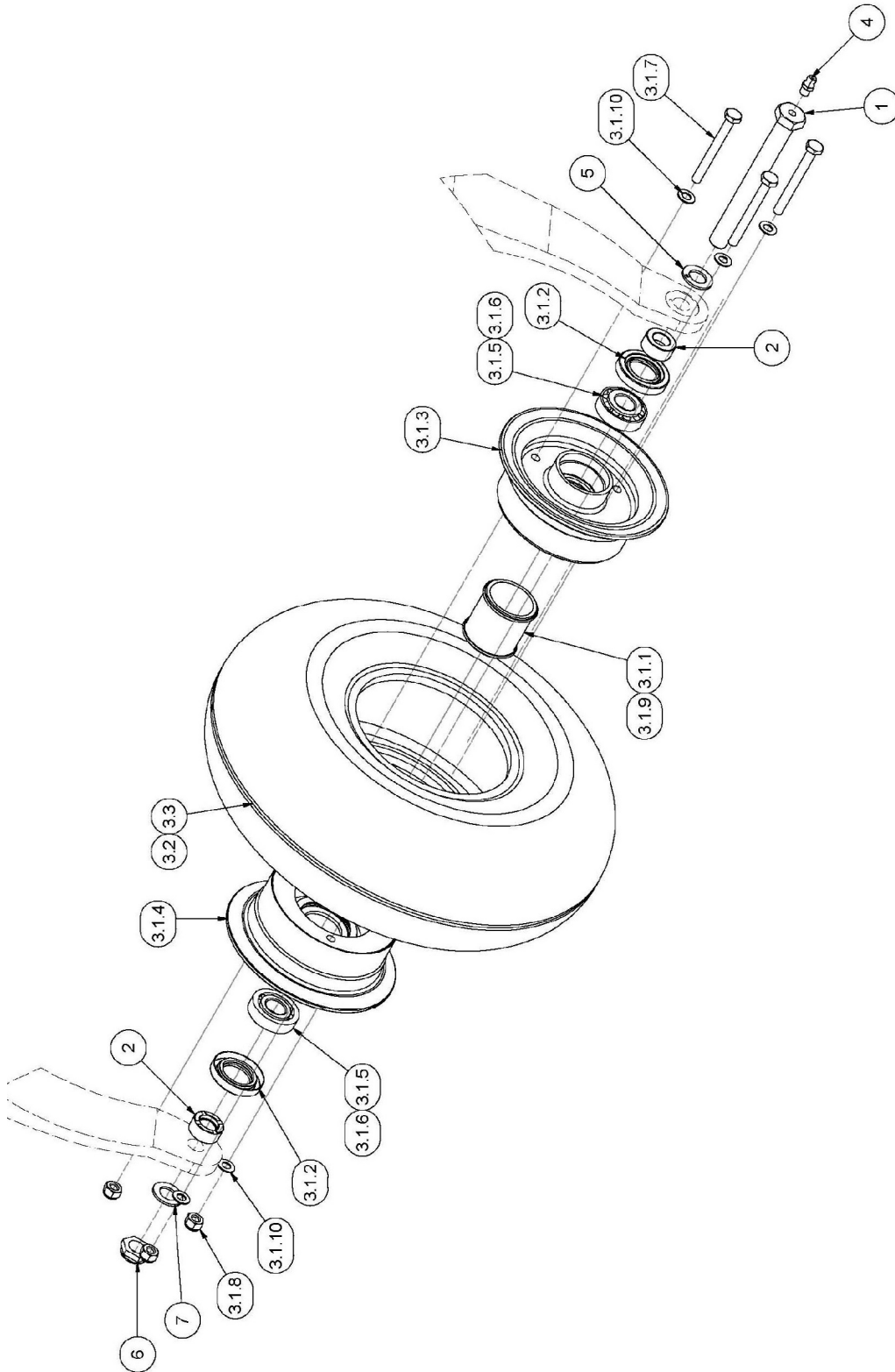




PARTS MANUAL  
3000 FLOATS ON CESSNA 182

ITEM	QTY	PART NO.	PART DESCRIPTION
1	1	1095K41	COMMON GREASEZERK
2	1	21A06160-053	PRESSURE PLATE
3	1	21A06194-005	BLOCK - SPRING
4	1	21A06213-006	TOW HOOK NOSE GEAR
5	1	21A06237-001	BEARING PLATE, LOWER, NOSE GEAR
6	1	21A06318-005	BLOCK - PIVOT, NOSE GEAR
7	1	21A06475-006	FRICITION CUP
8	1	3A06476-001	PIN, ANTIROTATION
9	1	21A06605-002	PLUNGER- NOSE WHEEL, 21, 23, 3, 34
10	1	30A06655-001	SPRING NOSE GEAR
11	1	21A06705-005	PRESSURE SPRING
12	1	30A06000-024	ASSEMBLY, - PIVOT AND FORK, NOSE GEAR
13	1	30A06702-016	BOLT - MODIFIED, PIVOT BLOCK
14	1	3A06602-001	THRUST WASHER
15	1	9528K15	1/4" CHROME BALL BEARING
16	2	AN5-15A	BOLT
17	2	AN5-17A	BOLT
18	1	AN6227-9	O-RING
19	1	M62-350	SPRING
20	1	MS16997-60	BOLT
21	1	MS21044N4	NUT
22	4	MS21044N5	NUT
23	4	MS35333-39	STAR WASHER
24	1	MS35649-2252	NUT
25	2	NAS1149D0463J	WASHER
26	4	NAS1149F0532P	WASHER
27	4	NAS1149F0563P	WASHER
28	4	NAS1352-316P	BOLT

## NOSE WHEEL ASSEMBLY (GROVE)

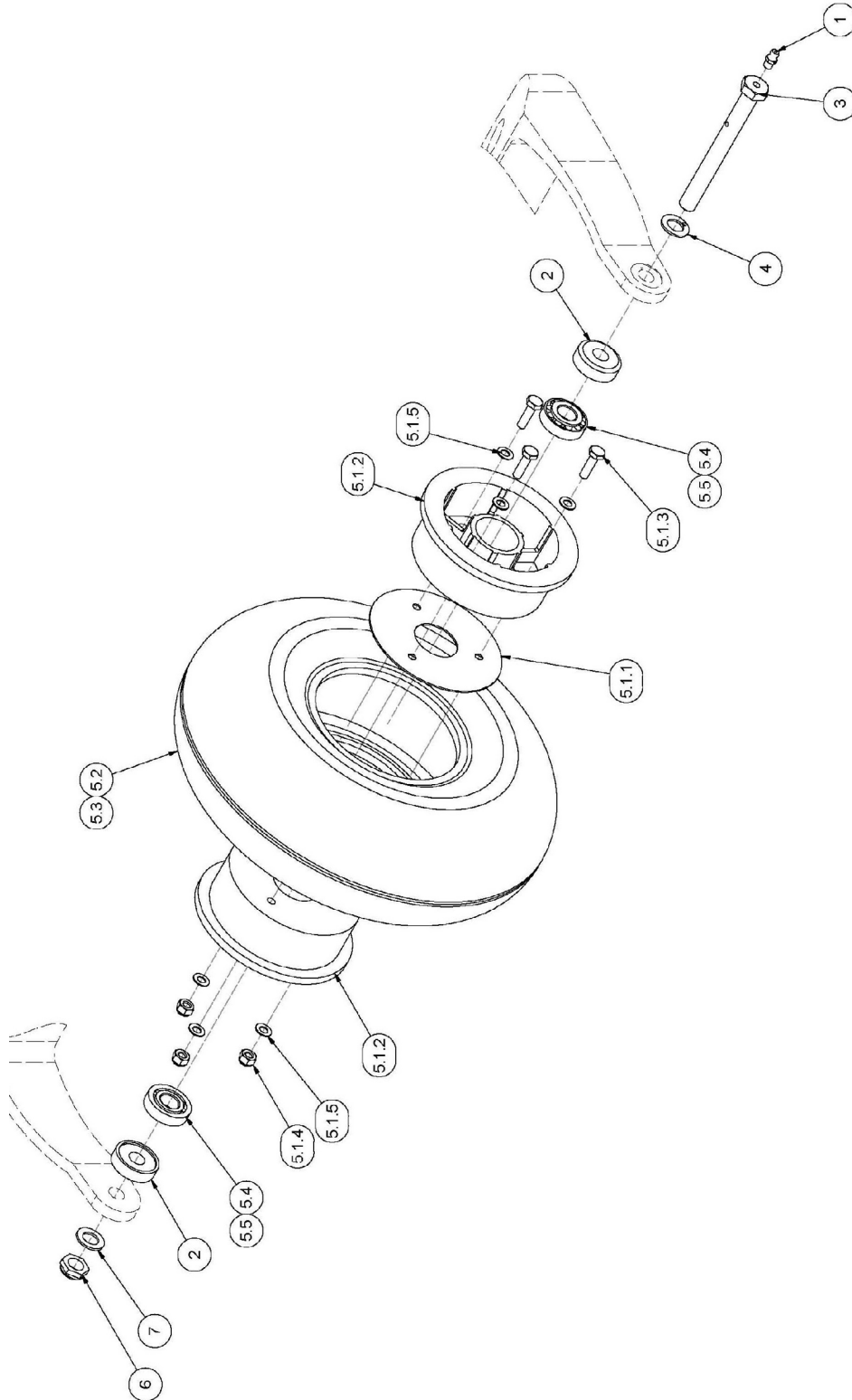


PARTS MANUAL  
3000 FLOATS ON CESSNA 182

ITEM	QTY	PART NO.	PART DESCRIPTION
1	1	1005927	BOLT, MODIFIED, AXLE, NOSE GEAR
2	2	1005928	SPACER
3	1	1006679	ASSEMBLY, NOSE WHEEL
3.1	1	49-12AF-001	WHEEL ASSEMBLY, GROVE
3.1.1	1	010-019	GREASE RETAINER
3.1.2	2	471570	SEAL, TIMKEN (EQUIVALENT TO GROVE OEM P/N 010-026)
3.1.3	1	015-020A	WHEEL HALF INNER
3.1.4	1	016-020AF	WHEEL HALF OUTER
3.1.5	2	A4050	BEARING CORE
3.1.6	2	A4138	BEARING CONE
3.1.7	3	AN4-23A	BOLT
3.1.8	3	MS21044N-4	NUT
3.1.9	2	MS28775-029	O-RING
3.1.10	6	NAS1149F0416	WASHER
3.2	1	XA1AB*	TUBE
3.3	1	AD1B2*	TIRE
4	1	1095K41	COMMON GREASEZERK
5	1	3A06702-003	MODIFIED WASHER
6	1	MS21083N8	NUT
7	1	NAS1149D0863J	WASHER

\* Any alternate tire (tube type) which is TSO-approved, matches the listed tire's dimensions, and meets its speed/load/ply ratings may be used. Equivalent tubes may also be used.

## NOSE WHEEL ASSEMBLY (PARKER)

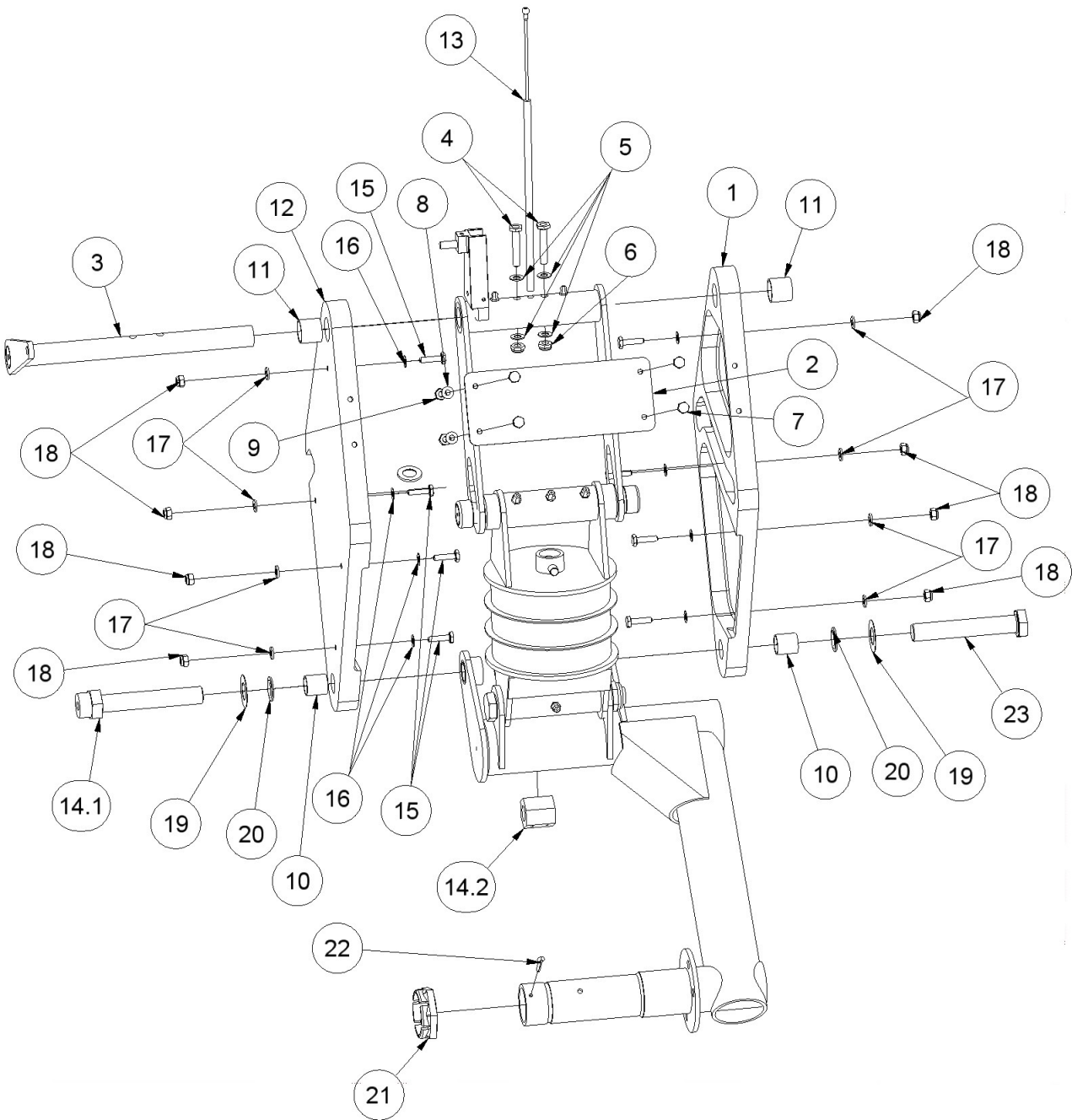


PARTS MANUAL  
3000 FLOATS ON CESSNA 182

ITEM	QTY	PART NO.	PART DESCRIPTION
1	1	1095K41	COMMON GREASEZERK
2	2	3A06259-001	SPACER - NOSE WHEEL - SMALL FLOAT
3	1	3A06702-002	BOLT, MODIFIED, AXLE, NOSE GEAR
4	1	3A06702-003	MODIFIED WASHER
5	1	30A06000-025	NOSE WHEEL ASSEMBLY
5.1	1	D-30380	PARKER WHEEL ASSEMBLY
5.1.1	1	068-30373	GASKET
5.1.2	2	161-30382	WHEEL HALF
5.1.3	3	AN4-7A	BOLT
5.1.4	3	MS21044N4	NUT
5.1.5	6	NAS1149F0432P	WASHER
5.2	1	AD1B2*	TIRE
5.3	1	XA1AB*	TUBE
5.4	2	A4050	BEARING CORE
5.5	2	A4138	BEARING CONE
6	1	MS21083N8	NUT
7	1	NAS1149D0863J	WASHER

\* Any alternate tire (tube type) which is TSO-approved, matches the listed tire's dimensions, and meets its speed/load/ply ratings may be used. Equivalent tubes may also be used.

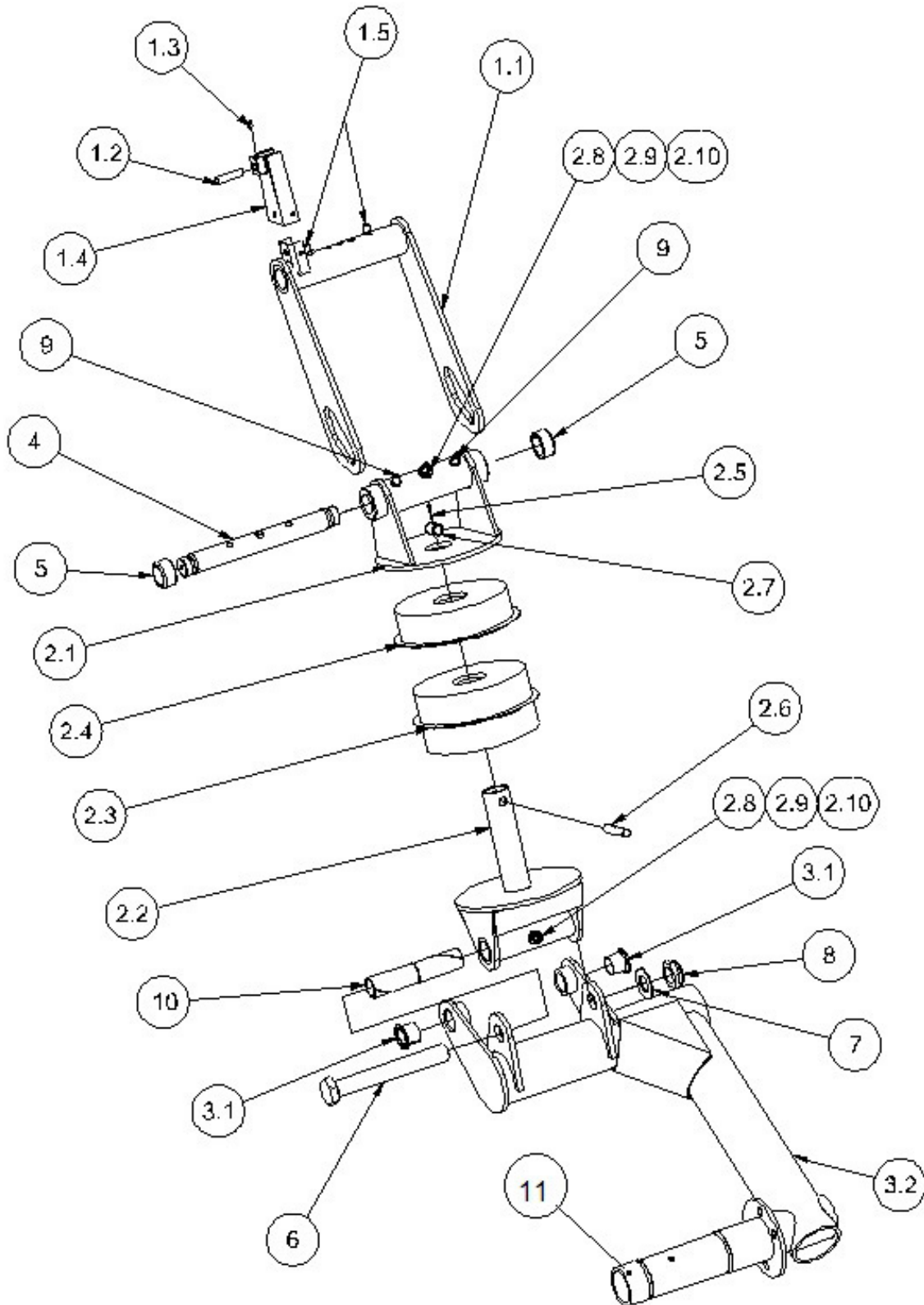
## MAIN GEAR INSTALLATION



PARTS MANUAL  
3000 FLOATS ON CESSNA 182

ITEM	QTY	PART NO.	PART DESCRIPTION
1	1	30A05114-008	TRACK - MAIN GEAR - RIGHT
2	1	30A05003-085	SPACING PLATE
3	1	30A05000-039	ASS'Y. ARM RETRACT
4	2	NAS6204-17	BOLT
5	4	NAS1149F0432P	WASHER
6	2	MS21083N4	NUT
7	4	AN3-5A	BOLT
8	4	NAS1149D0316J	WASHER
9	4	MS21044N3	NUT
10	2	10DU12	BUSHING
11	2	12DU12	BUSHING
12	1	30A05114-007	TRACK - MAIN GEAR - LEFT
13	1	30A05000-027	ASS'Y - ARM - GEAR INDICATOR
14	1	30A05000-038	MAIN GEAR BOLT ASS'Y - LOWER
14.1	1	30A05558-001	MODIFIED BOLT - DRAG LINK ATTACH (OLD STYLE NON REBUILDABLE HYDRAULIC ACTUATORS)
	1	1005973	MODIFIED BOLT, DRAG LINK ATTACH (NEW STYLE HYDRAULIC ACTUATOR - MUST BE USED PER SERVICE LETTER 97)
14.2	1	30A04574-001	COUPLING - MAIN GEAR
15	8	AN3-6A	BOLT
16	8	NAS1149D0316J	WASHER
17	8	NAS1149D0363J	WASHER
18	8	MS21044N3	NUT
19	2	NAS1149D1016J	WASHER
20	2	93783A033	SEALING WASHER
21	1	MS21025-24	NUT, AXLE
22	1	MS24665-351	COTTER PIN
23	1	30A05702-020	BOLT

## MAIN GEAR RETRACTION

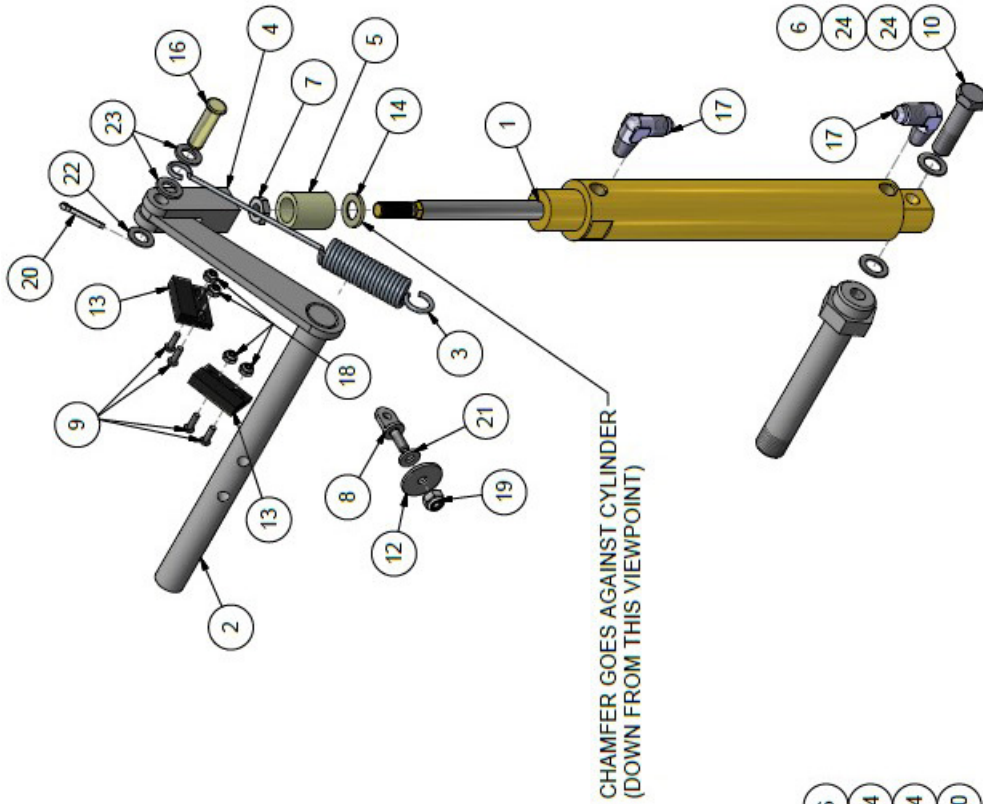




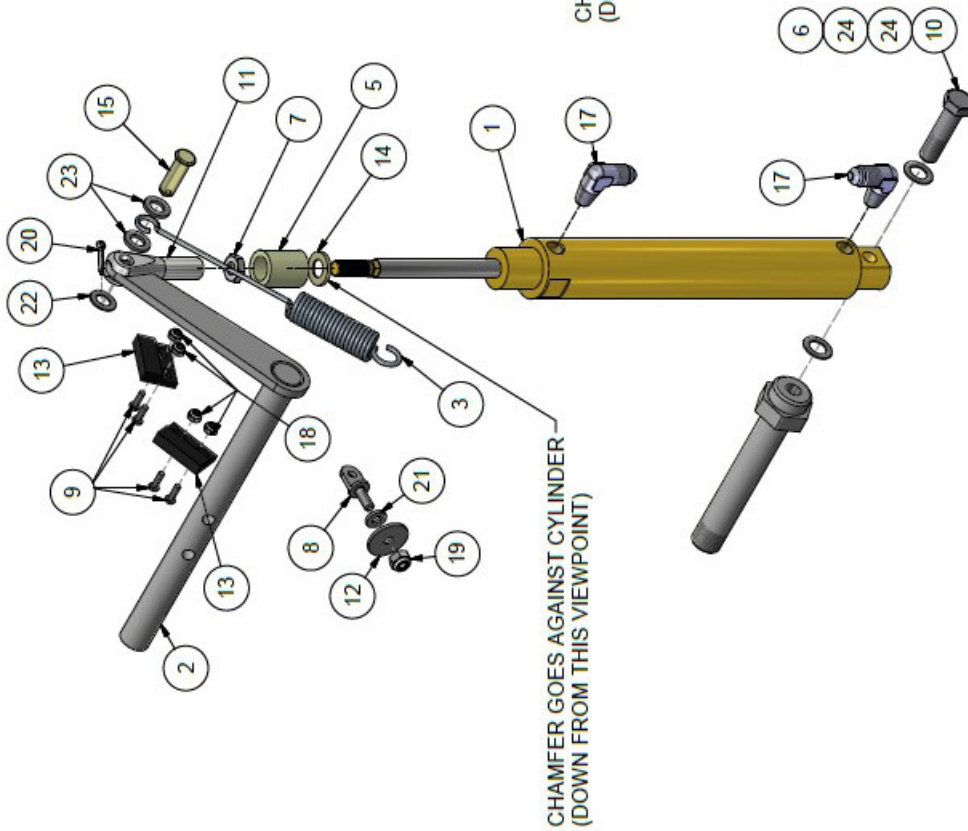
PARTS MANUAL  
3000 FLOATS ON CESSNA 182

ITEM	QTY	PART NO.	PART DESCRIPTION
1	1	30A05000-042	ASS'Y. ARM RETRACT - DRAG LINK
1.1	1	30A05000-041	ASS'Y. ARM RETRACT - DRAG LINK
1.2	1	3A05701-001	CYLINDRICAL MAGNET
1.3	1	1032 NFX 3/16	SET SCREW, 10-32 X 3/16 S.S. CP
1.4	1	30A05214-007	PROX. SWITCH HOLDER
1.5	2	1095K41	COMMON GREASEZERK
2	1	30A04000-100	ASS'Y. SHOCK STRUT (FOR CESSNA 180 ONLY)
	1	34A04000-101	ASS'Y. SHOCK STRUT (FOR CESSNA 185 ONLY)
2.1	1	30A04000-093	ASSEMBLY - END SHOCK STRUT - UPPER
2.2	1	30A04000-120	ASSEMBLY - END SHOCK STRUT - LOWER
2.3	1	1002089	DUAL BUSHING ASSEMBLY (FOR CESSNA 180 ONLY)
	1	1002090	DUAL BUSHING ASSEMBLY (FOR CESSNA 185 ONLY)
2.4	1	1001102	BUSHING ASSEMBLY (FOR CESSNA 180 ONLY)
	1	1001102	BUSHING ASSEMBLY (FOR CESSNA 185 ONLY)
2.5	1	MS24665-151	COTTER PIN
2.6	1	30A04476-004	PIN - RETAINING, SHOCK STRUT
2.7	1	30A04459-002	SLEEVE - SHOCK STRUT RETAINER
2.8	2	1095K41	COMMON GREASEZERK
2.9	2	NAS1149D0416J	WASHER
2.10	2	NAS1149D0463J	WASHER
3	1	30A04000-091	DRAG LINK - MAIN GEAR
3.1	2	10FDU10	BUSHING
3.2	1	30A04000-091	ASS'Y. DRAG LINK, MAIN GEAR
4	1	30A04454-007	SHAFT - AXLE - SHOCK STRUT
5	2	21A05520-003	ROLLER, SHOCK STRUT - RETRACT
6	1	30A05702-016	BOLT - DRAG LINK
7	1	NAS1149F1063P	WASHER
8	1	MS21083N10	NUT
9	2	1095K41	COMMON GREASEZERK
10	1	30A04475-006	BUSHING
11	1	6A04263-003	INSERT GREASE WHEEL
	2	MS28775-214	"O" RING
	1	1095K41	COMMON GREASEZERK

## MAIN GEAR HYDRAULIC INSTALLATION



**NEW STYLE CLEVIS**  
(SEE SERVICE LETTER 139)



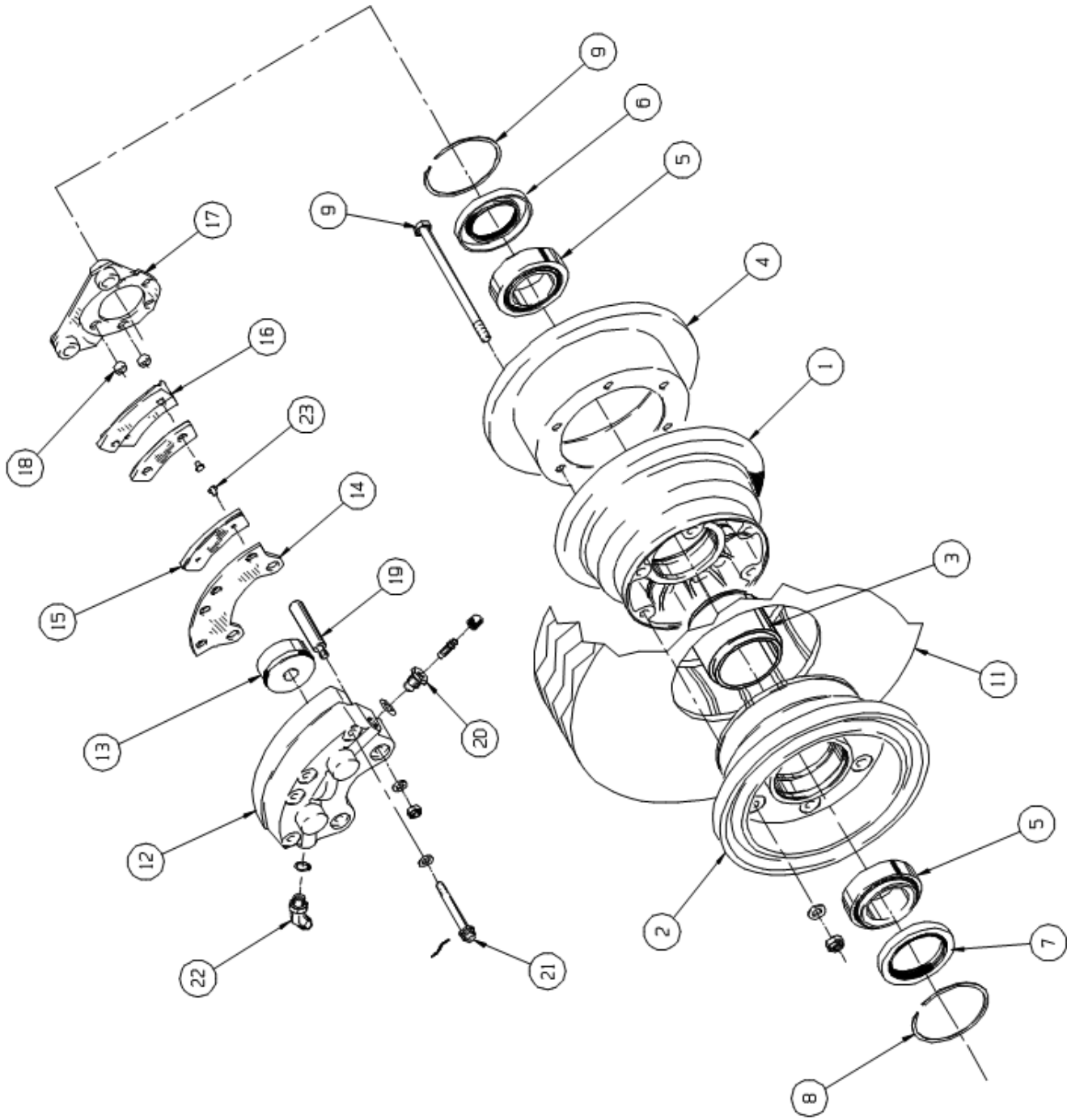
**OLD STYLE CLEVIS**

PARTS MANUAL  
3000 FLOATS ON CESSNA 182

ITEM	QTY	PART NO.	PART DESCRIPTION
1	1	1002573*	CYLINDER-MAIN GEAR, 3000-3450
2	1	21A05000-016	WELDMENT, ARM RETRACT, RIGHT
3	1	21A05525-008	SPRING - GEAR
4	1	30A05252-001	SPACER - HYDRAULIC CYLINDER
5	1	30A05460-001	CLEVIS - RETRACT ARM, MAIN GEAR, (3000/3450)
6	1	30A05558-001	MODIFIED BOLT - DRAG LINK ATTACH (OLD STYLE NON REBUILDABLE HYDRAULIC ACTUATORS)
	1	1005973	MODIFIED BOLT, DRAG LINK ATTACH (NEW STYLE HYDRAULIC ACTUATOR - MUST BE USED PER SERVICE LETTER 97)
7	1	AN316-5R	NUT
8	1	AN42-4A	EYE BOLT
9	4	AN515-4R6	SCREW, MACHINE
10	1	AN6-13A	BOLT
11	1	AN665-46RS	TERMINAL, FLY WIRE
12	1	AN970-3	WASHER
13	2	HAMLIN 59135-20	HAMLIN MAGNETIC SWITCH
14	1	MS20002C6	WASHER - COUNTER SUNK
15	1	MS20392-4C25	CLEVIS PIN
16	1	MS20392-4C29	CLEVIS PIN
17	2	MS20822-4-4D	ELBOW
18	4	MS21044N04	NUT
19	1	MS21044N3	NUT
20	2	MS24665-283	COTTER PIN
21	1	NAS1149D0363J	WASHER
22	1	NAS1149F0532P	WASHER
23	2	NAS1149F0563P	WASHER
24	2	NAS1149F0632P	WASHER

\* If this style actuator is replacing the old style non rebuildable cylinder, reference Service Letter 97 for replacement and the correct drag link attach modified bolt.

## MAIN GEAR WHEEL ASSEMBLY

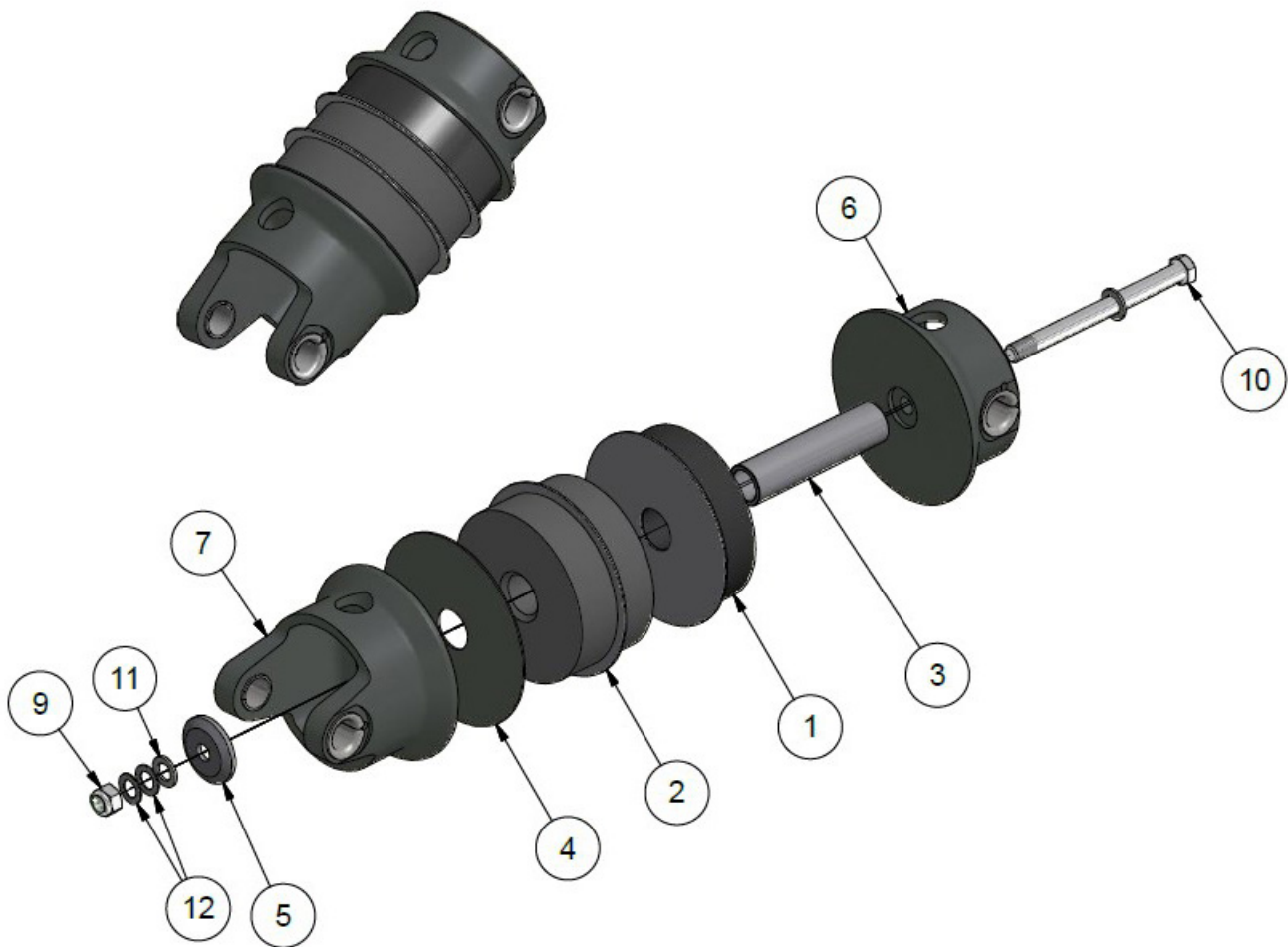


PARTS MANUAL  
3000 FLOATS ON CESSNA 182

ITEM	QTY	PART NO.	PART DESCRIPTION
1	1	8A04000-031	WHEEL ASS'Y. (W/ TIRE & TUBE)
2	1	40-418-3	WHEEL ASS'Y. (BOTH HALVES)
3	1	067-14700	SPACER – GREASE DAM
4	1	164-24501	DISC – BRAKE
5	2	13836CP	CUP – BEARING
	2	13889CP	CONE – BEARING
6	1	473232	SEAL – GREASE
7	1	472439	SEAL – GREASE
8	2	155-14300	RING - SNAP
9	6	AN5-35A	BOLT
	6	NAS1149F0563P	WASHER
	6	MS210425	NUT
10	1	166-20000	NAMEPLATE – “WARNING” (NOT SHOWN)
	1	166-19700	NAMEPLATE (NOT SHOWN)
11	1	AA1E6*	TIRE 6.00 X 6, 8 PLY
	1	XA1AD*	TUBE 6.00 X 6
12	1	30A04000-103	ASSEMBLY, BRAKE CALIPER, LH, 3000/3450
	1	30A04000-102	ASSEMBLY, BRAKE CALIPER, RH, 3000/3450
13	2	062-10700	PISTON
	1	MS28775-222	O-RING
14	1	063-01100	PLATE - PRESSURE
15	2	066-10500	LINING - BRAKE
16	1	064-01500	PLATE – BACK
17	1	075-20700	PLATE - TORQUE
18	1	145-01000	BUSHING
19	2	069-03100	BOLT - ANCHOR
	2	NAS1149F0463P	WASHER
	2	MS21044N4	NUT
20	1	081-00200	SEAT - BLEEDER
	1	MS28775-012	O-RING
	1	079-00300	SCREW – BLEEDER
	1	183-00100	CAP – BLEEDER
21	4	MS21250H04026	BOLT
	4	MS20002C4	WASHER
	A/R	MS20995-C32	LOCKWIRE
22	1	104-04700	FITTING
	1	MS28775-012	O-RING
23	4	105-00200	RIVET

\* Any alternate tire (tube type) which is TSO-approved, matches the listed tire's dimensions, and meets its speed/load/ply ratings may be used. Equivalent tubes may also be used.

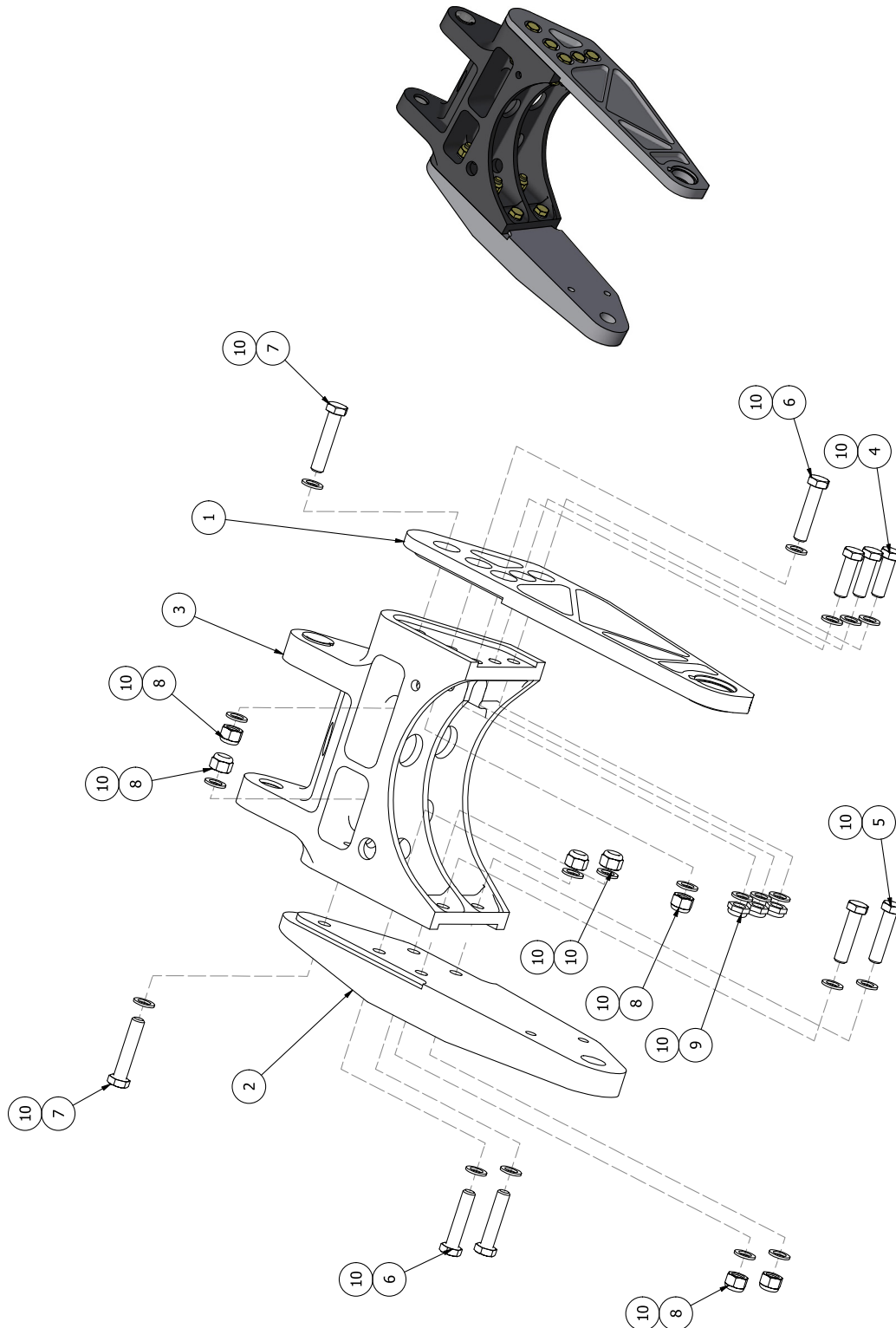
## MAIN GEAR SHOCK ASSEMBLY



PARTS MANUAL  
3000 FLOATS ON CESSNA 182

ITEM	QTY	PART NO.	PART DESCRIPTION
-	2	<b>1004286-02</b>	<b>ASS'Y, SHOCK, LIGHT DUTY, UNDER 3250 LBS, MAIN GEAR</b>
1	1	1001103	BUSHING ASS'Y., SHOCK STRUT
2	1	1002089	BUSHING ASS'Y., DUAL, SHOCK STRUT
3	1	1004267	TUBE, STRUT, MAIN
4	1	1004268	SHOCK SPACER, MAIN
5	1	1004269	STRUT END CAP, MAIN
6	1	1005765	ASS'Y., UPPER SHOCK STRUT, MAIN
7	1	1005766	ASS'Y., LOWER SHOCK STRUT, MAIN
9	1	MS21044N7	NUT
10	1	AN7-51A	BOLT
11	2	NAS1149D0763P	WASHER
12	2	NAS1149D0732P	WASHER
-	2	<b>1004286-03</b>	<b>ASS'Y. SHOCK, MEDIUM DUTY, MAIN GEAR (185)</b>
1	1	1001102	BUSHING ASS'Y., SHOCK STRUT
2	1	1002090	BUSHING ASS'Y., DUAL, SHOCK STRUT
3	1	1004267	TUBE, STRUT, MAIN
4	1	1004268	SHOCK SPACER, MAIN
5	1	1004269	STRUT END CAP, MAIN
6	1	1005765	ASS'Y., UPPER SHOCK STRUT, MAIN
7	1	1005766	ASS'Y., LOWER SHOCK STRUT, MAIN
9	1	MS21044N7	NUT
10	1	AN7-51A	BOLT
11	2	NAS1149D0763P	WASHER
12	2	NAS1149D0732P	WASHER

# MAIN GEAR WITHOUT WHEEL PIVOT ASSEMBLY FOR FLOAT SERIAL NUMBERS 30307A & 30308A AND LATER

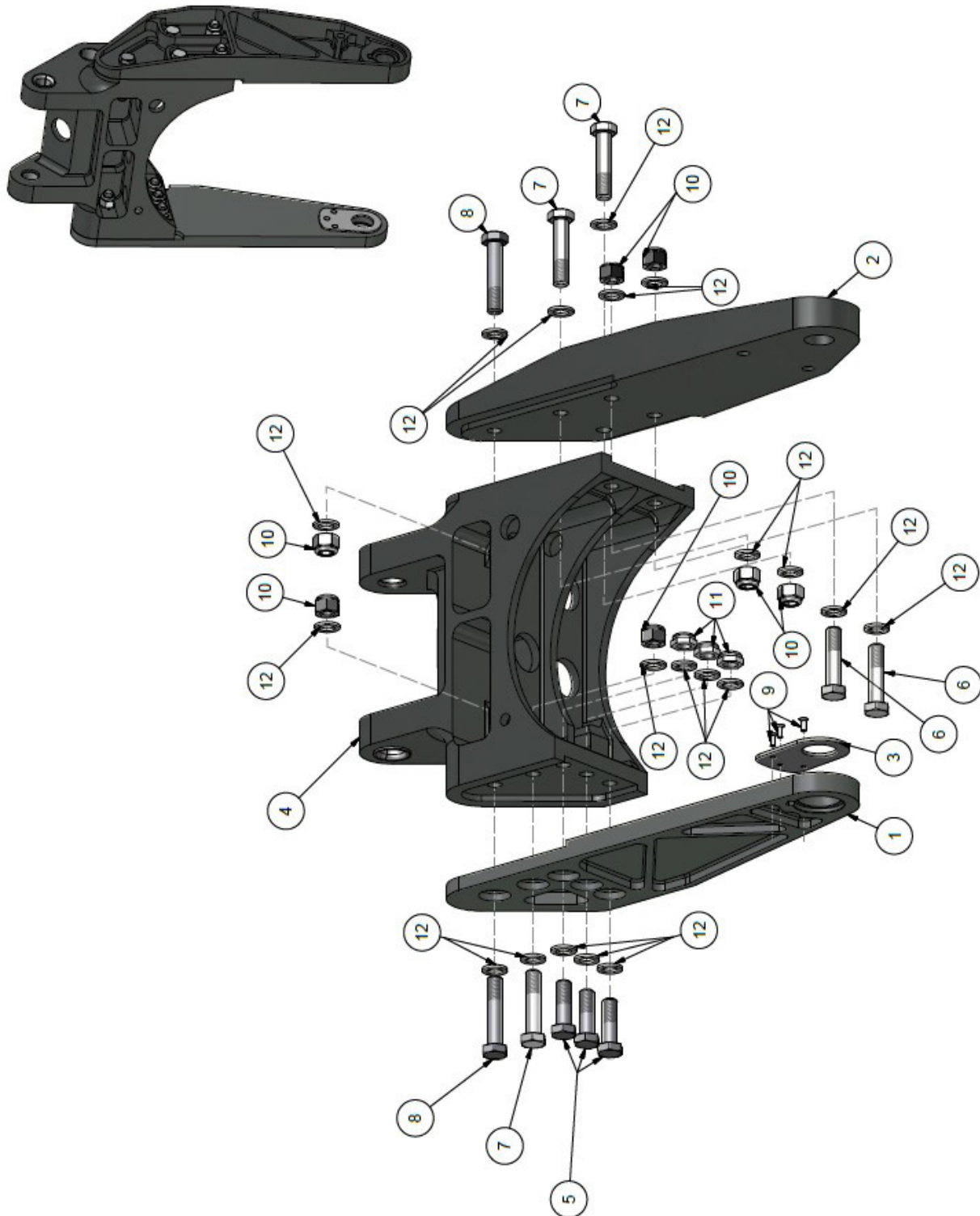




PARTS MANUAL  
3000 FLOATS ON CESSNA 182

ITEM	QTY	PART NO.	PART DESCRIPTION
-	1	1005746	ASS'Y., PIVOT, RH, MAIN GEAR W/O WHEEL
-	1	1005747	ASS'Y., PIVOT, LH, MAIN GEAR W/O WHEEL
1	1	1004274	LINK ARM, OUTBRD, RT FLOAT
	1	1005370	LINK ARM, OUTBRD, LT FLOAT
2	1	1004275	LINK ARM, INBRD, RT FLOAT
	1	1005369	LINK ARM, INBRD, LT FLOAT
3	1	1005744	ASSY, CENTER LINK, RH, MAIN GEAR
	1	1005745	ASSY, CENTER LINK, LH, MAIN GEAR
4	3	AN6-11A	BOLT
5	2	AN6-14A	BOLT
6	3	AN6-15A	BOLT
7	2	AN6-16A	BOLT
8	7	MS21044N6	NUT
9	3	MS21083N6	NUT
10	20	NAS1149D0663J	WASHER

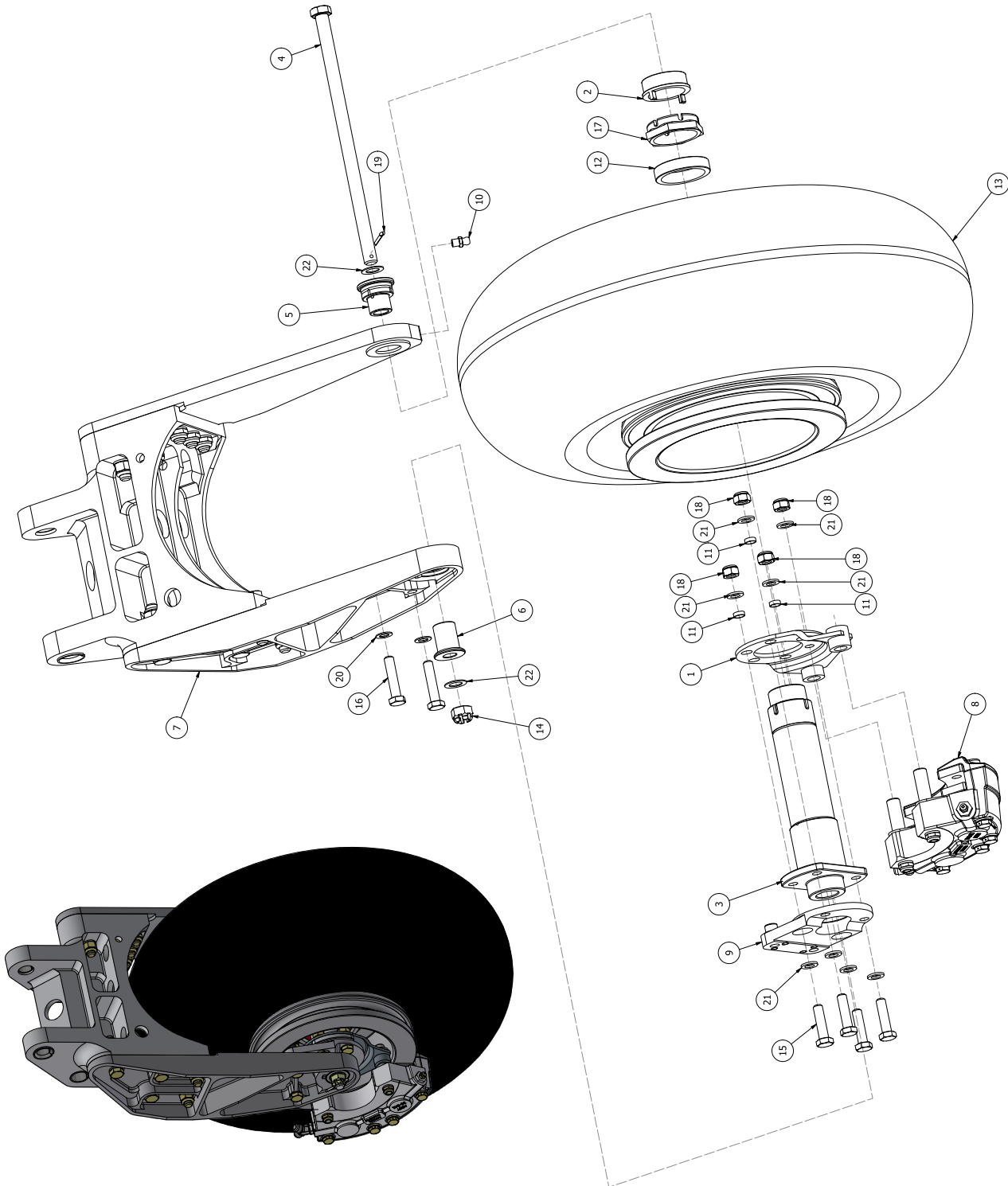
# MAIN GEAR WITHOUT WHEEL PIVOT ASSEMBLY FOR FLOAT SERIAL NUMBERS 30305A & 30306A AND PRIOR



PARTS MANUAL  
3000 FLOATS ON CESSNA 182

ITEM	QTY	PART NO.	PART DESCRIPTION
-	1	1005746	ASS'Y., PIVOT, RH, MAIN GEAR W/O WHEEL
-	1	1005747	ASS'Y., PIVOT, LH, MAIN GEAR W/O WHEEL
1	1	1004274	LINK ARM, OUTBRD, RT FLOAT
	1	1005370	LINK ARM, OUTBRD, LT FLOAT
2	1	1004275	LINK ARM, INBRD, RT FLOAT
	1	1005369	LINK ARM, INBRD, LT FLOAT
3	1	1005387	GREASE COVER, MAIN GEAR, 3000 3450
4	1	1005744	ASSY, CENTER LINK, RH, MAIN GEAR
	1	1005745	ASSY, CENTER LINK, LH, MAIN GEAR
5	3	AN6-11A	BOLT
6	2	AN6-14A	BOLT
7	3	AN6-15A	BOLT
8	2	AN6-16A	BOLT
9	3	MS20426-4	RIVET-FLAT HEAD
10	7	MS21044N6	NUT
11	3	MS21083N6	NUT
12	20	NAS1149D0663J	WASHER

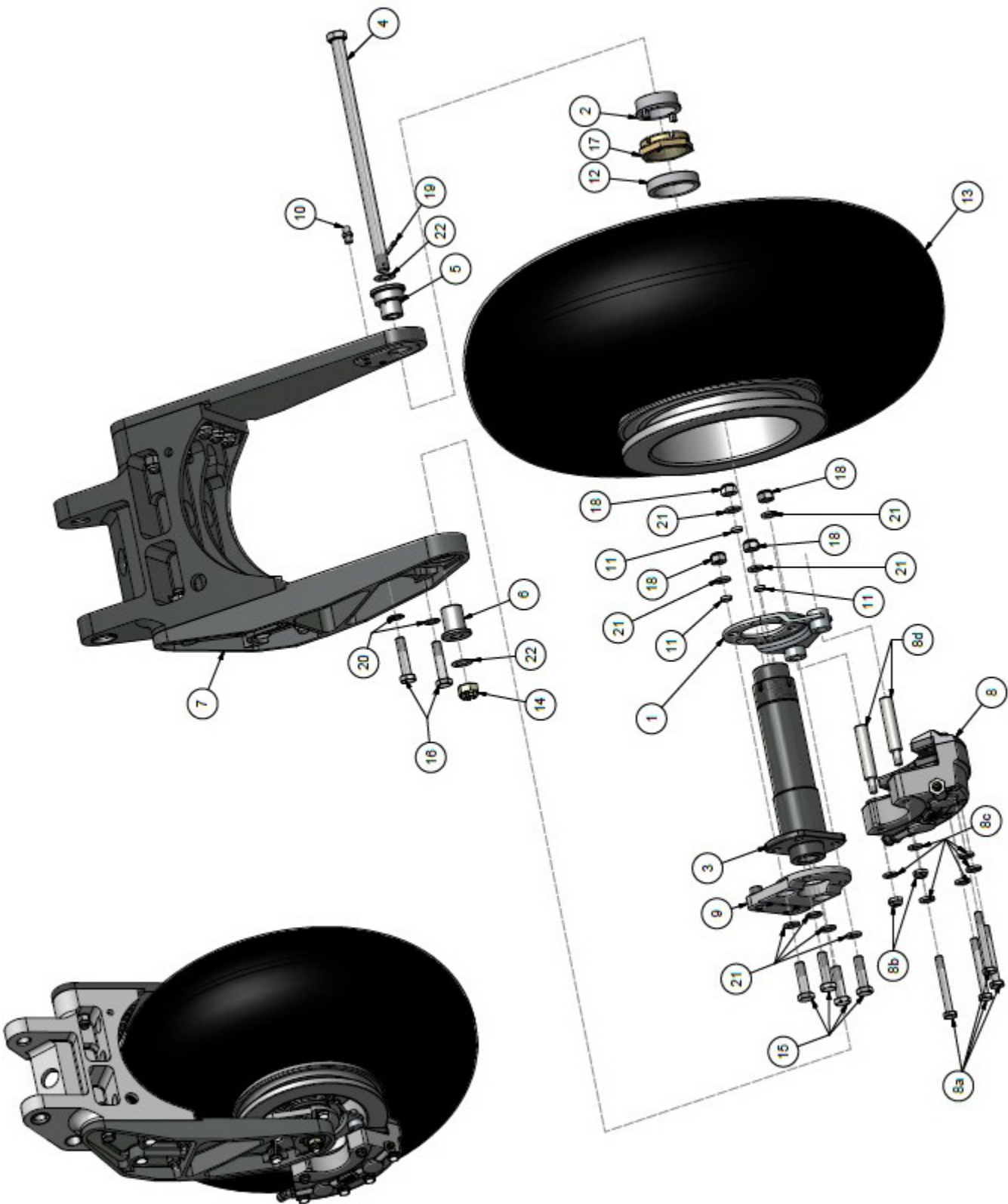
# MAIN GEAR WITH WHEEL PIVOT ASSEMBLY FOR FLOAT SERIAL NUMBERS 30307A & 30308A AND LATER



PARTS MANUAL  
3000 FLOATS ON CESSNA 182

ITEM	QTY	PART NO.	PART DESCRIPTION
-	1	1004288	ASS'Y., PIVOT, RH, MAIN GEAR
-	1	1005377	ASS'Y., PIVOT, LH, MAIN GEAR
1	1	075-20700	TORQUE PLATE
2	1	1004281	LOCKING HUB, MAIN
3	1	1004283	AXLE, MAIN GEAR
4	1	1005374	BOLT - 7/16-20 UNF-3A, 8.20 GRIP
5	1	1005378	HUB, AXLE
6	1	1005389	HUB, AXLE
7	1	1005746	ASS'Y., PIVOT, RH, MAIN GEAR W/O WHEEL
	1	1005747	ASS'Y., PIVOT, LH, MAIN GEAR W/O WHEEL
8	1	1005844	BRAKE ASSEMBLY COMPLETE, RH
	1	1005775	BRAKE ASSEMBLY COMPLETE, LH
	4	AN4H21A	BOLT
	2	MS21083N4	NUT
	6	NAS1149F0463P	WASHER
	2	069-03100	BOLT - ANCHOR
9	1	1005855	ASSY, BRACKET, ANTI ROTATION, MAIN, 3000 3450
10	1	1095K41	COMMON GREASEZERK
11	3	30A04523-002	BUSHING, TORQUE PLATE
12	1	6A04093-002	AXLE SPACER, MAIN WHEEL
13	1	8A04000-031	MAIN WHEEL ASSEMBLY
14	1	AN310-7	NUT, HEX, CASTLE, 7/16-20 UNF
15	4	AN5-11A	BOLT
16	2	AN5-13A	BOLT
17	1	MS21025-24	NUT, AXLE
18	6	MS21044N5	NUT
19	1	MS24665-302	COTTER PIN
20	2	NAS1149F0532P	WASHER
21	12	NAS1149F0563P	WASHER
22	2	NAS1149F0732P	WASHER

### MAIN GEAR WITH WHEEL PIVOT ASSEMBLY FOR FLOAT SERIAL NUMBERS 30305A & 30306A AND PRIOR



PARTS MANUAL  
3000 FLOATS ON CESSNA 182

ITEM	QTY	PART NO.	PART DESCRIPTION
-	1	1004288	ASS'Y., PIVOT, RH, MAIN GEAR
-	1	1005377	ASS'Y., PIVOT, LH, MAIN GEAR
1	1	075-20700	TORQUE PLATE
2	1	1004281	LOCKING HUB, MAIN
3	1	1004283	AXLE, MAIN GEAR
4	1	1005374	BOLT - 7/16-20 UNF-3A, 8.20 GRIP
5	1	1005378	HUB, AXLE
6	1	1005389	HUB, AXLE
7	1	1005746	ASS'Y., PIVOT, RH, MAIN GEAR W/O WHEEL
	1	1005747	ASS'Y., PIVOT, LH, MAIN GEAR W/O WHEEL
8	1	1005844	BRAKE ASSEMBLY COMPLETE, RH
	1	1005775	BRAKE ASSEMBLY COMPLETE, LH
8a	4	AN4H21A	BOLT
8b	2	MS21083N4	NUT
8c	6	NAS1149F0463P	WASHER
8d	2	069-03100	BOLT - ANCHOR
9	1	1005855	ASSY, BRACKET, ANTI ROTATION, MAIN, 3000 3450
10	1	1095K41	COMMON GREASEZERK
11	3	30A04523-002	BUSHING, TORQUE PLATE
12	1	6A04093-002	AXLE SPACER, MAIN WHEEL
13	1	8A04000-031	MAIN WHEEL ASSEMBLY
14	1	AN310-7	NUT, HEX, CASTLE, 7/16-20 UNF
15	4	AN5-11A	BOLT
16	2	AN5-13A	BOLT
17	1	MS21025-24	NUT, AXLE
18	6	MS21044N5	NUT
19	1	MS24665-302	COTTER PIN
20	2	NAS1149F0532P	WASHER
21	12	NAS1149F0563P	WASHER
22	2	NAS1149F0732P	WASHER



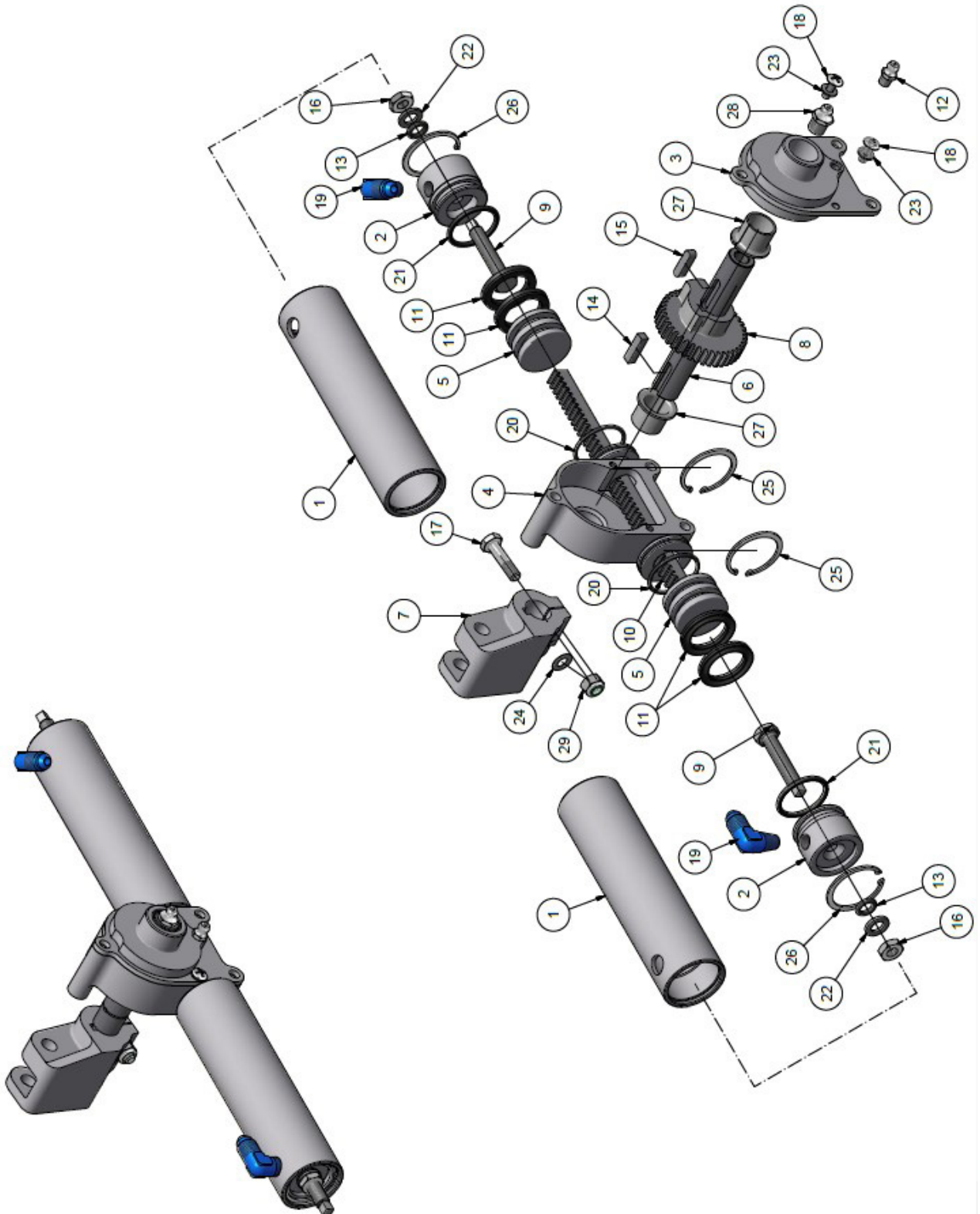


PARTS MANUAL  
3000 FLOATS ON CESSNA 182

ITEM	QTY	PART NO.	PART DESCRIPTION
-	1	1004291-02	ASS'Y, MAIN GEAR, RIGHT, LIGHT DUTY, UNDER 3250 LBS
-	1	1004251-02	ASS'Y, MAIN GEAR, LEFT, LIGHT DUTY, UNDER 3250 LBS
1	2	1004263	RETAINER, MAIN
2	1	1004286-01	ASS'Y., SHOCK, LIGHT DUTY, MAIN GEAR
6	1	1004287	ASS'Y., PIVOT PIN, SHOCK, UPPER, MAIN
7	1	1004288	ASSY, PIVOT, RH, MAIN GEAR
	1	1005377	ASS'Y., PIVOT, LH, MAIN GEAR
8	1	1004289	ASS'Y., UPPER SHOCK LINK
9	1	1004882	ASS'Y., SIDE SUPPORT, LH, MAIN
10	1	1005375	ASS'Y., SIDE SUPPORT, RH, MAIN
11	1	1005733	ASSEMBLY, SHAFT, UPPER SHOCK, MAIN GEAR
12	2	1005734	ASSEMBLY, BOLT, MODIFIED, LOWER PIVOT
13	1	1005735	ASSEMBLY, SUPPORT, PIVOT, LOWER, MAIN GEAR
14	1	1005750	ASS'Y., PIVOT PIN, SHOCK, LOWER, MAIN
15	4	1095K41	COMMON GREASEZERK
16	1	1095K42	COMMON GREASEZERK
17	1	59915K274	BALL JOINT ROD END, 5/16" BALL ID, MALE
18	1	59915K483	BALL JOINT END, 5/16" BALL ID, FEMALE
19	4	93781A035	SEALING WASHER
20	2	93783A046	SEALING WASHER
21	1	AN316-4R	NUT
22	2	AN320-14	NUT, HEX, SLOTTED, 7/8-14 UNF
23	6	AN4-7A	BOLT
24	1	AN5-11A	BOLT
25	2	MS21044N10	NUT
26	6	MS21044N4	NUT
27	1	MS21044N5	NUT
28	2	MS24665-304	COTTER PIN
20	12	NAS1149F0463P	WASHER
30	2	NAS1149F0532P	WASHER
31	2	NAS561P6-12	COTTER PIN

ITEM	QTY	PART NO.	PART DESCRIPTION
-	1	1004291-03	ASS'Y, MAIN GEAR, RIGHT, MEDIUM DUTY
-	1	1004251-03	ASS'Y, MAIN GEAR, LEFT, MEDIUM DUTY
1	2	1004263	RETAINER, MAIN
2	1	1004286-03	ASS'Y., SHOCK, LIGHT DUTY, MAIN GEAR
6	1	1004287	ASS'Y., PIVOT PIN, SHOCK, UPPER, MAIN
7	1	1004288	ASSY, PIVOT, RH, MAIN GEAR
	1	1005377	ASS'Y., PIVOT, LH, MAIN GEAR
8	1	1004289	ASS'Y., UPPER SHOCK LINK
9	1	1004882	ASS'Y., SIDE SUPPORT, LH, MAIN
10	1	1005375	ASS'Y., SIDE SUPPORT, RH, MAIN
11	1	1005733	ASSEMBLY, SHAFT, UPPER SHOCK, MAIN GEAR
12	2	1005734	ASSEMBLY, BOLT, MODIFIED, LOWER PIVOT
13	1	1005735	ASSEMBLY, SUPPORT, PIVOT, LOWER, MAIN GEAR
14	1	1005750	ASS'Y., PIVOT PIN, SHOCK, LOWER, MAIN
15	4	1095K41	COMMON GREASEZERK
16	1	1095K42	COMMON GREASEZERK
17	1	59915K274	BALL JOINT ROD END, 5/16" BALL ID, MALE
18	1	59915K483	BALL JOINT END, 5/16" BALL ID, FEMALE
19	4	93783A035	SEALING WASHER
20	2	93783A046	SEALING WASHER
21	1	AN316-4R	NUT
22	2	AN320-14	NUT, HEX, SLOTTED, 7/8-14 UNF
23	6	AN4-7A	BOLT
24	1	AN5-11A	BOLT
25	2	MS21044N10	NUT
26	6	MS21044N4	NUT
27	1	MS21044N5	NUT
28	2	MS24665-304	COTTER PIN
20	12	NAS1149F0463P	WASHER
30	2	NAS1149F0532P	WASHER
31	2	NAS561P6-12	COTTER PIN

## MAIN GEAR ROTARY ACTUATOR ASSEMBLY



ITEM	QTY	PART NO.	PART DESCRIPTION
-	1	1005271	ASSMEBLY, ROTARY ACUTATOR, MAIN GEAR
1	2	1005272	CYLINDER, ROTARY ACTUATOR, MAIN GEAR
2	2	1005273	CYLINDER CAP, ROTARY ACTUATOR, MAIN GEAR
3	1	1005274	HOUSING TOP, ROTARY ACTUATOR, MAIN GEAR
4	1	1005275	HOUSING, ROTARY ACTUATOR, MAIN GEAR
5	2	1005276	PISTON, ROTARY ACTUATOR, MAIN GEAR
6	1	1005277	SHAFT, ROTARY ACTUATER, MAIN GEAR
7	1	1005280	ARM, GEAR ACTUATOR, 3000 3450
8	1	1005282	SPUR GEAR, PDIA 2.00 BORE .625 MODIFIED
9	2	1005283	BOLT, 5/16-24 UNF X 1.5, W/ 1/8 DRIVE, SST, MODIFIED
10	1	1005284	RACK, MOD, ROTARY ACTUATOR, MAIN GEAR
11	4	1005285	SEAL, U-CUP, .156 C/S, .937 ID, 1.250 OD, 90 DURO,
12	1	1095K41	GREASE ZERK
13	2	5018T168	5018T168
14	1	98870A330	KEY, 3/16 X 3/16 X .75 LG, 1018 STL, .002 OVER SIZED
15	1	98870A570	KEY, 3/16 X 3/16 X .75 LG, 1018 STL, .002 OVER SIZED
16	2	AN316C5R	NUT
17	1	AN4-10A	BOLT
18	2	AN526C832R8	SCREW, MACHINE, TRUSS HEAD
19	2	MS20822-4D	ELBOW
20	2	MS28775-024	"O" RING
21	2	MS28775-121	"O" RING
22	2	NAS1149C0563R	WASHER
23	2	NAS1149CN832R	WASHER
24	1	NAS1149D0416J	WASHER
25	2	MS16625-4125	RETAINING RING, INTERNAL
26	2	MS16625-4131	RETAINING RING, INTERNAL
27	2	10FDU10	FLANGED BUSHING
28	1	1095K11	GREASE ZERK
29	1	MS21044N4	NUT

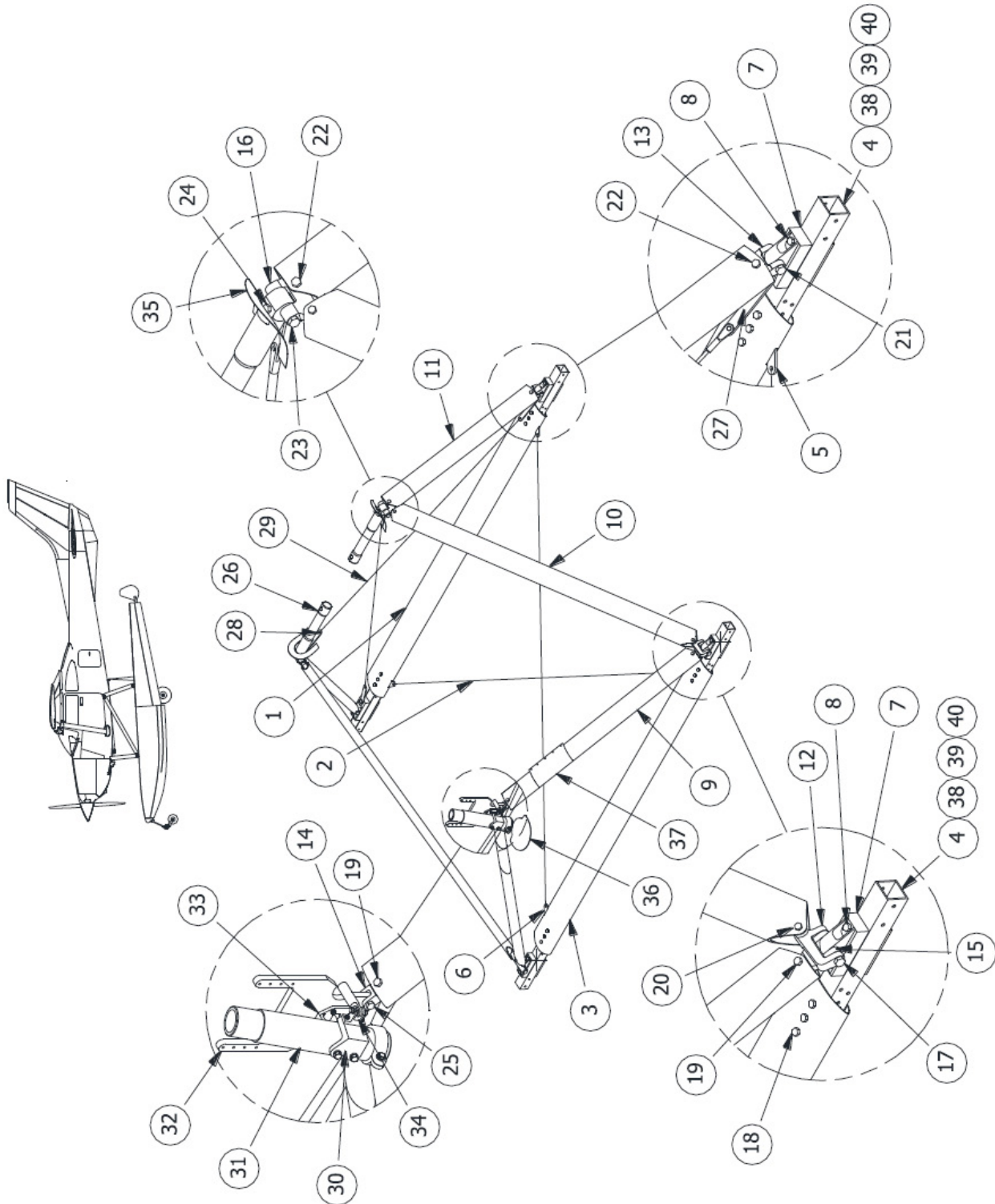
## **SECTION 9**

# **STRUTS, WIRES, STEPS, AND SPREADER BARS**

### **CONTENTS**

STRUTS, WIRES, AND SPREADER BARS .....	102
STRUTS, WIRES, AND SPREADER WIRES (4 POINT) INSTALLATION .....	106
STEPS INSTALLATION.....	109

## STRUTS, WIRES, AND SPREADER BARS



PARTS MANUAL  
3000 FLOATS ON CESSNA 182

ITEM	QTY	PART NO.	PART DESCRIPTION
1	1	30A03000-033	ASSEMBLY, SPREADER BAR, AFT, 3000, 182
	1	30A03327-004	SPREADER BAR, AFT, 3000, 182
	4	30A03162-051	SHIM, SPREADER BAR, 3000/3400 FLOATS
2	2	30A02000-189	ASS'Y – DRAG WIRE – SPR. BAR.
	1	AN665-34LS	CLEVIS L.
	1	AN665-34RS *	CLEVIS R.
	1	AN316C4L	NUT CHECK L.
	1	AN316C4R	NUT CHECK R.
	2	MS20392-3C15	PIN – CLEVIS
	2	MS24665-151	PIN – COTTER
3	1	30A03000-032	SPREADER BAR - FWD
4	2	30A03319-001	TUBE – SPR. BAR – L.
	2	30A03319-002	TUBE – SPR. BAR – R.
5	2	30A03462-007	WIRE PULL AFT-SPR BAR(182)
6	2	30A03462-009	WIRE PULL FWD-SPR BAR(182)
7	4	30A02219-003	FITTING FLOAT DECK
8	8	AN6-42A	BOLT, 3/8-24 THREAD, GRIP 3.688"
	A/R	NAS1149F0663P	WASHER, DIA 3/8", STANDARD THICKNESS
	8	MS21044N6	NUT, SELF LOCKING, 250 DEG, 0.375-24 THREAD
9	2	30A02000-194	ASS'Y – FRONT STRUT
10	2	30A02000-195	ASS'Y – DIAGONAL STRUT
11	2	30A02000-196	ASS'Y – REAR STRUT
12	2	30A02191-003	FITTING – FRONT STRUT – LOWER
13	2	30A02207-005	FITTING – REAR STRUT – LOWER
14	1	30A02194-003	FITTING – FRONT STRUT – UPPER L.
	1	30A02194-004	FITTING – FRONT STRUT – UPPER R.
15	1	30A02204-007	FITTING – FRONT DIAGONAL – LOWER L.
	1	30A02204-008	FITTING – FRONT DIAGONAL – LOWER R.
16	2	30A02204-006	FITTING – REAR STRUT – UPPER
17	2	AN7-37A	BOLT – FITTING ATTACH
	A/R	NAS1149F0763P	WASHER
	2	MS21044N7	NUT
18	12	AN6-30A	BOLT – SPR. BAR ATTACH
	A/R	NAS1149F0663P	WASHER
	12	MS21044N6	NUT
19	4	AN6-21A	BOLT – STRUT ATTACH
	A/R	NAS1149F0632P	WASHER
	4	MS21044N6	NUT
20	4	AN5-16A	BOLT – STRUT ATTACH
	A/R	NAS1149F0563P	WASHER
	4	MS21044N5	NUT

ITEM	QTY	PART NO.	PART DESCRIPTION
21	2	AN7-26A	BOLT – REAR FITTING ATTACH
	A/R	NAS1149F0763P	WASHER
	2	MS21044N7	NUT
22	4	AN7-17A	BOLT – STRUT ATTACH
	A/R	NAS1149F0763P	WASHER
	4	MS21044N7	NUT
23	2	AN8-37A	BOLT – STRUT ATTACH
	A/R	NAS1149F0832P	WASHER
	2	MS21044N8	NUT
24	2	AN7-23A	BOLT – FITTING
	A/R	NAS1149F0963J	WASHER
	2	MS21044N7	NUT
25	2	AN6-14A	BOLT – UPPER FITTING
	A/R	NAS1149F0463P	WASHER
	2	MS21044N6	NUT
26	2	30A02251-003	FITTING – MAIN GEAR
27	2	30A02462-016	WIRE PULL – LOWER
28	2	30A02462-017	WIRE PULL – UPPER
29	2	3A02000-045	ASS'Y – DRAG WIRE
	1	AN665-80LAS *	CLEVIS L.
	1	AN665-80RAS *	CLEVIS R.
	1	AN316C6L	NUT CHECK L.
	1	AN316C6R	NUT CHECK R.
	2	MS20392-5C21	PIN – CLEVIS
	2	MS24665-301	PIN – COTTER
30	1	30A12376-001	BRACKET, SHIMMY DAMPENER
	2	AN5-34A	BOLT - ATTACH
	A/R	NAS1149F0563P	WASHER
	2	MS21044N5	NUT
31	1	30A02713-003	TUBE
32	1	30A12000-047	SUPPORT - PLATE
33	1	30A02192-008	BRACKET, FRONT STRUT SUPPORT
	4	AN4-12A	BOLT – ATTACH
	A/R	NAS1149F0463P	WASHER
	4	MS21044N4	NUT
34	1	30A12193-004	LUG – SHIMMY DAMPENER
	2	AN3-10A	BOLT – ATTACH
	A/R	NAS1149F0363P	WASHER
	2	MS21044N3	NUT
35	2	30A12005-305	COVER – MAIN GEAR
36	1	30A12005-304	COVER – GEAR FAIRING

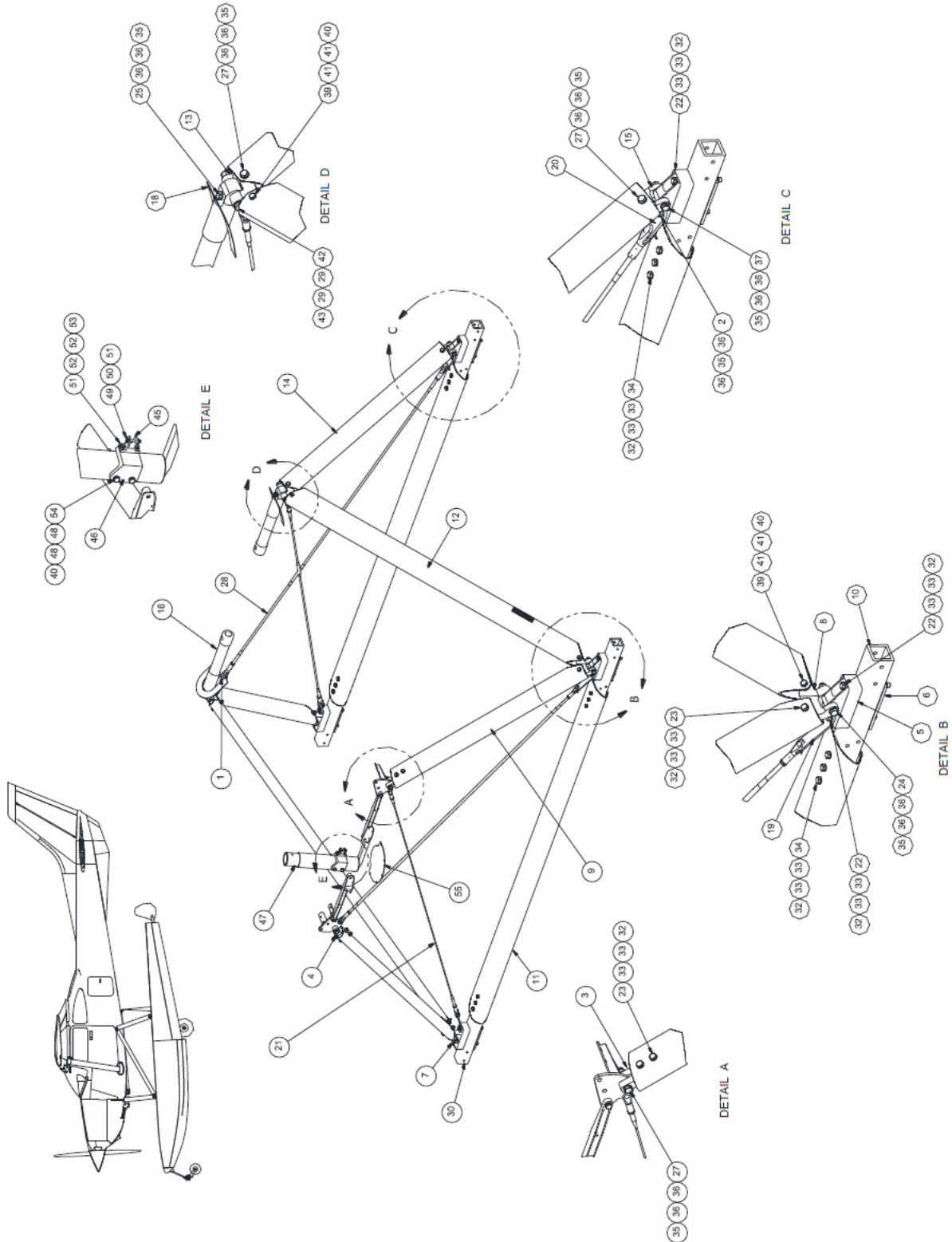


PARTS MANUAL  
3000 FLOATS ON CESSNA 182

ITEM	QTY	PART NO.	PART DESCRIPTION
37	2	30A02451-001	EXHAUST SHIELD, FWD STRUT (182 LYCOMING ONLY)
	10	AN526C632R6	SCREW, 6-32 THREAD, 3/8" LENGTH, CORROSION RESISTANT
	10	NAS1149FN632P	WASHER, CARBON STEEL, TO FIT DIA #6
	10	MS21045-06	NUT SELFLOCKING, 3/8-24 THREAD, 450 DEG
38	8	30A03237-003	BLOCK – TUBE, SPREADER BAR
39	16	MS24694S49	SCREW
40	4	AN6-41A	BOLT
	4	NAS1149F0663P	WASHER
	4	MS21044N6	NUTS

"S" DENOTES STAINLESS STEEL

# STRUTS, WIRES, AND SPREADER WIRES (4 POINT) INSTALLATION

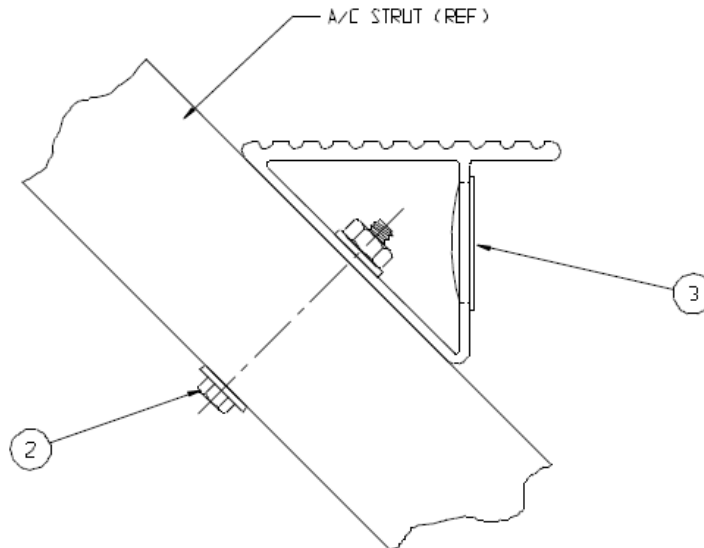
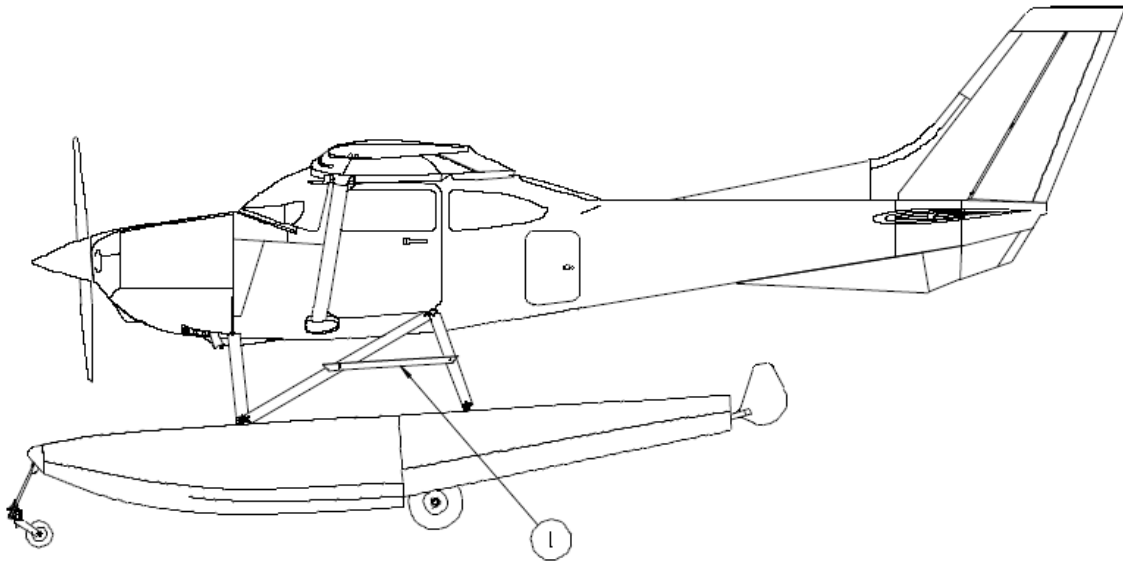


PARTS MANUAL  
3000 FLOATS ON CESSNA 182

ITEM	QTY	PART NO.	PART DESCRIPTION
1	2	1002810	LUG
2	2	AN7-43A	BOLT
3	1	1002610	FITTING - UPPER FWD LEFT
4	1	1002612	FITTING - UPPER FWD RIGHT
5	4	30A02219-003	FITTING
6	4	30A03154-010	PLATE - REINFORCEMENT
7	1	1002604	FITTING - LOWER FWD RIGHT
8	1	1002607	FITTING - LOWER FWD LEFT
9	2	1002608	ASS'Y - STRUT - FWD
10	2	30A03319-001	TUBE - SPREADER BAR - LH
11	2	30A03000-031	SPREADER BAR
12	2	30A02000-195	ASS'Y - STRUT - DIAGONAL
13	2	30A02204-006	UPPER REAR FITTING
14	2	30A02000-196	ASS'Y - STRUT - REAR
15	2	30A02207-005	LOWER REAR FITTING
16	2	30A02251-003	MAIN GEAR FITTING
18	2	30A12005-305	COVER - MAIN GEAR
19	2	30A02462-016	LUG
20	2	34A02496-003	LUG
21	2	30A02000-045	ASSEMBLY, DRAG WIRE
22	6	AN6-42A	BOLT
23	6	AN6-22A	BOLT
24	2	AN7-32A	BOLT
25	2	AN7-23A	BOLT
27	6	AN7-22A	BOLT
28	2	34A02000-209	FLY WIRE, ASSY. REAR
29	4	NAS1149F0863P	WASHER
30	2	30A03319-002	TUBE - SPREADER BAR - RH
32	24	MS21044N6	NUT
33	52	NAS1149F0663P	WASHER
34	12	AN6-30A	BOLT
35	14	MS21044N7	NUT
36	28	NAS1149F0763P	WASHER
37	2	AN7-26A	BOLT
39	4	AN5-22A	BOLT
40	6	MS21044N5	NUT
41	8	NAS1149F0563P	WASHER
42	2	AN8-37A	BOLT
43	2	MS21044N8	NUT
45	1	30A12193-004	LUG - SHIMMY DAMPENER (182)
46	1	30A12376-001	BRACKET - SHIMMY DAMPENER (182)

ITEM	QTY	PART NO.	PART DESCRIPTION
47	1	30A02713-003	TUBE - UPPER FWD FITTING (182)
48	4	NAS1149F0463P	WASHER
49	1	AN3-11A	BOLT
50	1	NAS1149F0332P	WASHER
51	3	MS21044N3	NUT
52	4	NAS1149F0363P	WASHER
53	2	MS24694S57	SCREW
54	2	AN5-34A	BOLT
55	1	30A12005-304	COVER - FAIRING

## STEPS INSTALLATION



ITEM	QTY	PART NO.	PART DESCRIPTION
1	1	21A02369-039	STEP - L.H.
	1	30A02369-045	STEP - R.H.
2	4	AN3-20A	BOLT - ATTACH
	A/R	NAS1149F0332P	WAHER
	4	MS21044N3	NUT
3	A/R	BPF	HOLE PLUG 1 INCH

THIS PAGE INTENTIONALLY LEFT BLANK

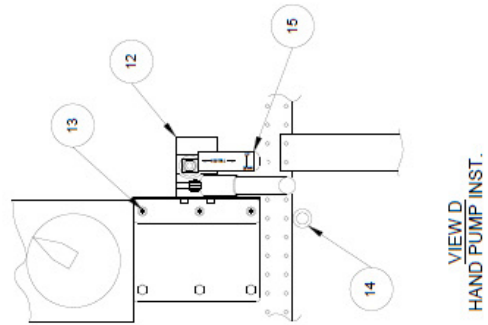
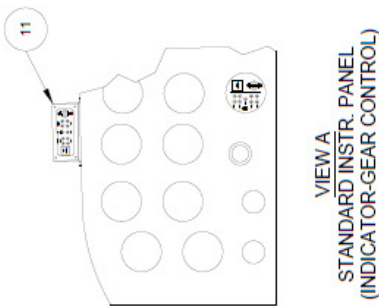
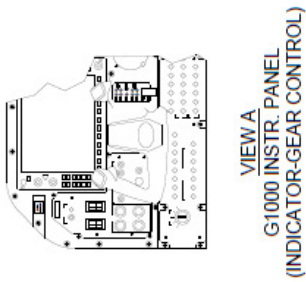
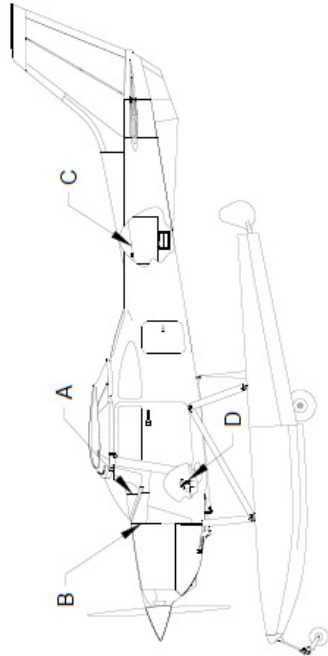
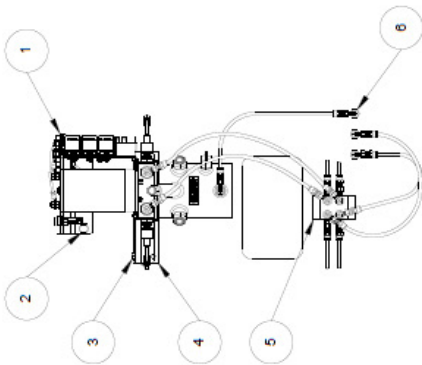
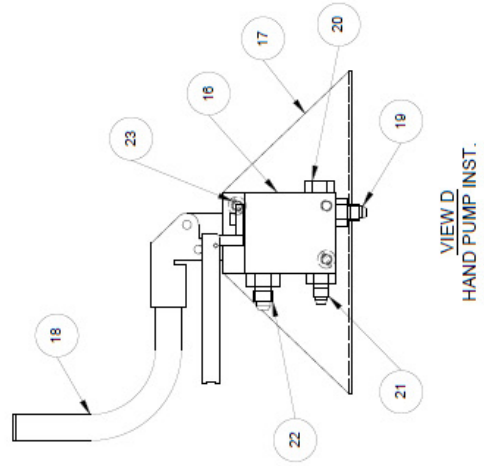
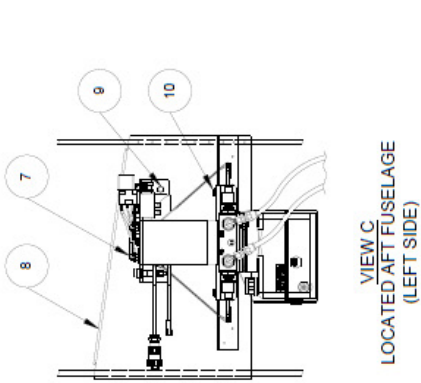
## SECTION 10

# HYDRAULIC SYSTEM

### CONTENTS

HYDRAULIC SYSTEM INSTALLATION POST SERVICE LETTER 231 .....	112
HYDRAULIC SYSTEM INSTALLATION PRE SERVICE LETTER 231 .....	115
HYDRAULIC PUMP ASSEMBLY 1011850 POST SERVICE LETTER 231.....	118
HYDRAULIC PUMP ASSEMBLIES 1011878 & 1011879 POST SERVICE LETTER 231.....	122
HYDRAULIC PUMP ASSEMBLY PRE SERVICE LETTER 231 .....	126
HYDRAULIC PUMP (FIREWALL) SCHEMATIC .....	129
HYDRAULIC PUMP (AFT FUSELAGE) SCHEMATIC .....	131
HYDRAULIC PUMP OVERVIEW POST SERVICE LETTER 231 .....	133
HYDRAULIC PUMP OVERVIEW PRE SERVICE LETTER 231 .....	135

# HYDRAULIC SYSTEM INSTALLATION POST SERVICE LETTER 231



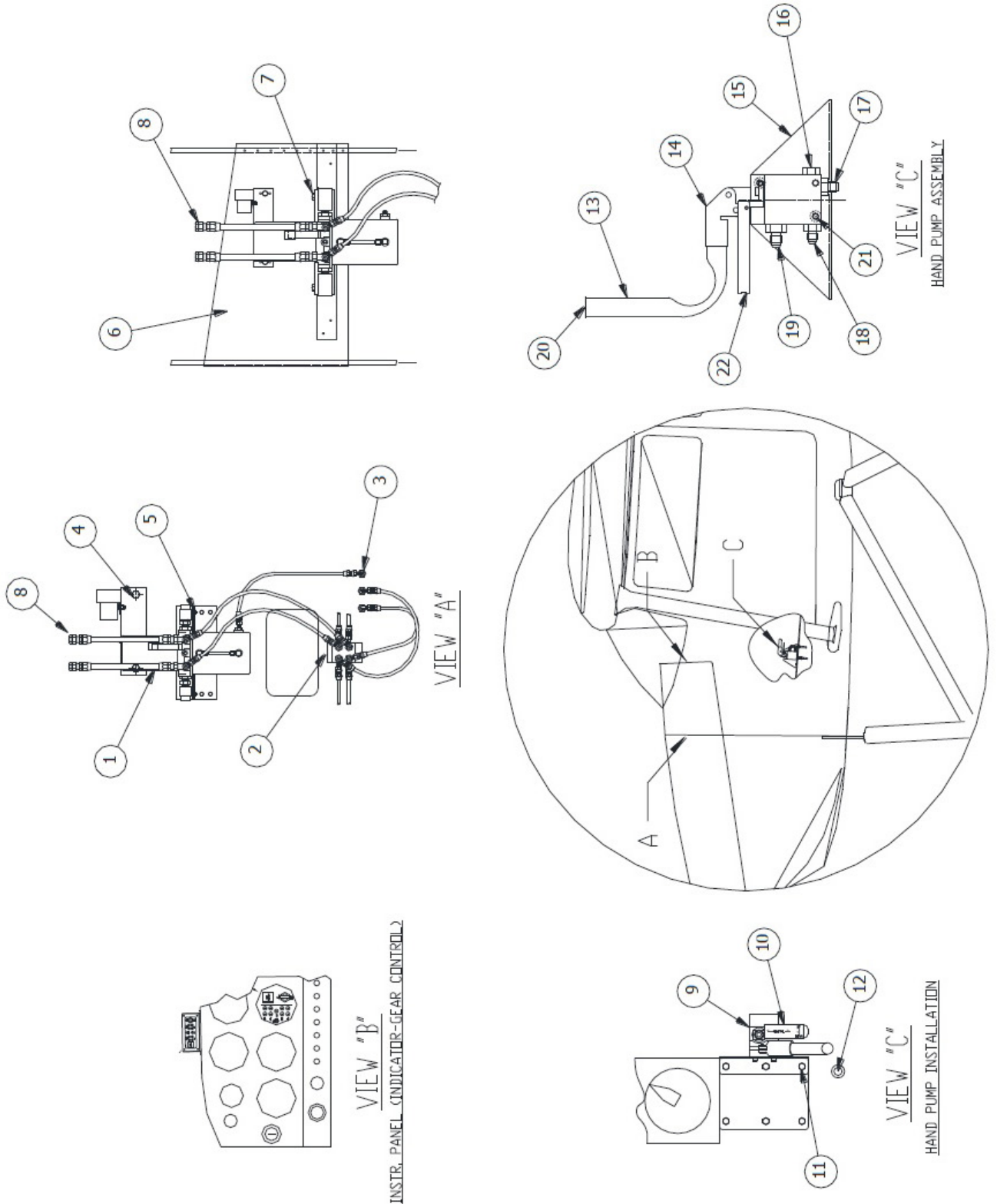


PARTS MANUAL  
3000 FLOATS ON CESSNA 182

ITEM	QTY	PART NO.	PART DESCRIPTION
1	1	1011850	ASSEMBLY, HYDRAULIC POWER PACK, 24V
	1	1011851	SPACER, INSTALLATION, HYDRAULIC POWER PACK
2	2	AN3-3A	BOLT, 10-32, 0.063 GRIP, UNDRILLED, STEEL
	4	NAS1149F0332P	WASHER, 0.203 ID, 0.032 THK, STEEL
	2	MS21044N3	NUT, LOCKING, REGULAR HEIGHT, 10-32 UNF
3	2	AN4-6A	BOLT, 1/4-28, 0.313 GRIP, UNDRILLED, STEEL
	4	NAS1149F0432P	WASHER, 0.265 ID, 0.032 THK, STEEL
	2	MS21044N4	NUT, LOCKING, REGULAR HEIGHT, 1/4-28 UNF
4	1	21A09348-020	ANGLE, PUMP MOUNT
	4	AN3-4A	BOLT, 10-32, 0.125 GRIP, UNDRILLED, STEEL
	8	NAS1149F0363P	WASHER, 0.203 ID, 0.063 THK, STEEL
	4	MS21044N3	NUT, LOCKING, REGULAR HEIGHT, 10-32UNF
5	1	21A09000-240	ASSEMBLY, MANIFOLD
	1	6A09046-001	MANIFOLD
	2	AN3-5A	BOLT, 10-32, 0.25 GRIP, UNDRILLED, STEEL
	4	AN816-4D	FITTING, NIPPLE, FLARED TUBE AND PIPE THREAD
	4	AN816-4-4D	FITTING, NIPPLE, FLARED TUBE AND PIPE THREAD
	2	NAS1149F0363P	WASHER, 0.203 ID, 0.063 THK, STEEL
	2	MS21044N3	NUT LOCKING, REGULAR HEIGHT, 10-32 UNF
6	3	AN832-4D	UNION, BULKHEAD, FLARED TUBE
	3	NAS1149F0763P	WASHER, 0.453 ID, 0.063 THK, STEEL
	3	AN924-4D	NUT, TUBE, 7/16-20 THREAD
7	1	1011878	ASSEMBLY, HYDRAULIC POWER PACK, 12V
	1	1011879	ASSEMBLY, HYDRAULIC POWER PACK, 24V
8	1	30A09000-284	ASSEMBLY, MOUNT, HYDRAULIC PUMP
9	2	AN3-4A	BOLT, 10-32, 0.125 GRIP, UNDRILLED, STEEL
	2	NAS1149F0332P	WASHER, 0.203 ID, 0.032 THK, STEEL
10	2	AN4-5A	BOLT, 1/4-28, 0.25 GRIP, UNDRILLED, STEEL
	2	NAS1149F0432P	WASHER, 0.265 ID, 0.032 THK, STEEL
11	1	21A11158-194	COVER, SQUARE, GEAR CONTROL HEAD
	4	MS35214-42	(GEAR CONTROL HEAD) SCREW, 8-32, 0.50 LENGTH
12	1	21A09000-194	ASSEMBLY, HAND PUMP
13	3	AN525-832R8	(HAND PUMP MOUNTING HARDWARE) SCREW, 8-32 THREAD
14	1	MS35489-49	GROMMET
15	1	12A3-7379-1	PLACARD, EMERGENCY HAND PUMP
16	1	642873	HAND PUMP (ONLY)
17	1	21A09156-129	BRACKET, HYDRAULIC HAND PUMP
18	1	21A09396-001	HANDLE
	1	9283K13	CAP PLUG
19	1	21A09746-001	MODIFIED UNION
	1	MS28775-012	O-RING, HYDRAULIC PACKING, 0.364 ID

ITEM	QTY	PART NO.	PART DESCRIPTION
20	1	AN814-4D	PLUG, 7/16-20 THREAD
	1	MS28775-012	O-RING, HYDRAULIC PACKING, 0.364 ID
21	1	AN815-4D	UNION
	1	MS28775-012	O-RING, HYDRAULIC PACKING, 0.364 ID
22	1	AN919-6D	UNION
	1	MS28775-014	O-RING, HYDRAULIC PACKING, 0.489 ID
23	2	MS16997-77	SOCKET HEAD CAP SCREW, 5/16-18 THREAD
	2	MS35333-41	LOCK WASHER, INTERNAL TOOTH
	2	NAS1149F0563P	WASHER, 0.328 ID, 0.063 THK, STEEL
24	2	21A04000-080	ASSEMBLY, BRAKE LINE (NOT SHOWN)

# HYDRAULIC SYSTEM INSTALLATION PRE SERVICE LETTER 231

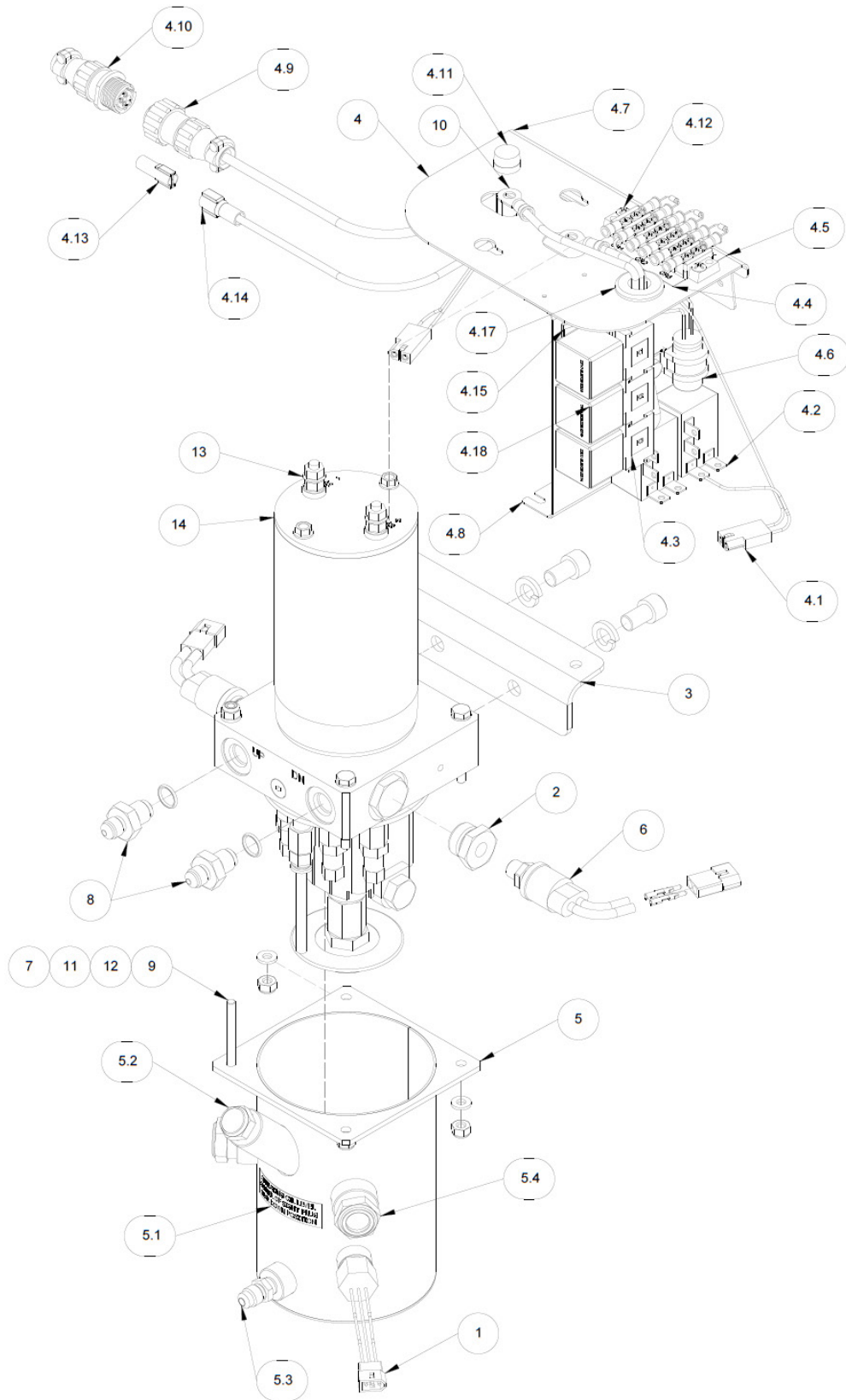


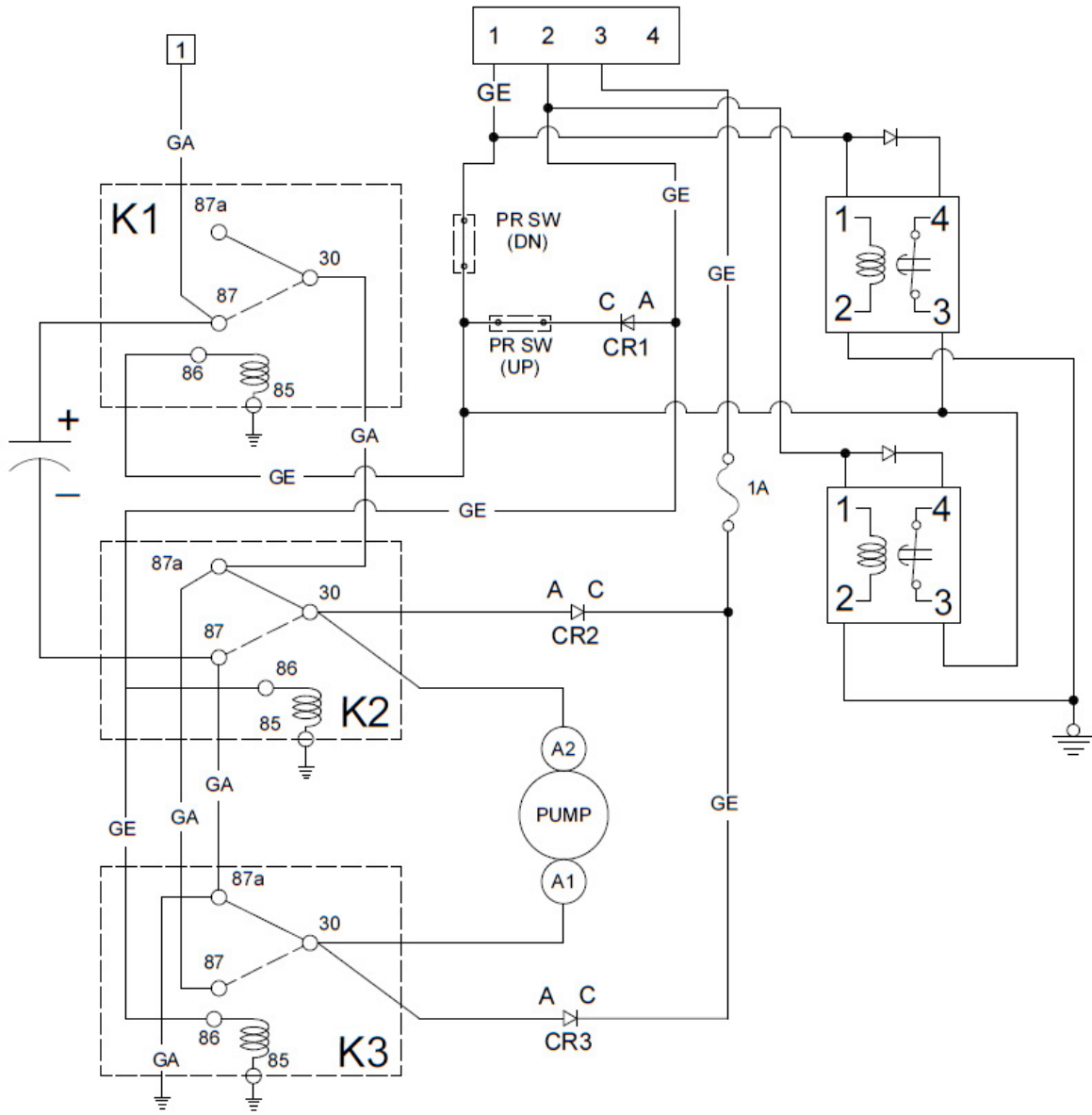
ITEM	QTY	PART NO.	PART DESCRIPTION
1	1	21A09000-239	ASS'Y – HYDRAULIC PUMP - FIREWALL
2	1	21A09000-240	ASS'Y – MANIFOLD
	1	6A09046-001	MANIFOLD
	4	AN816-4-4D	NIPPLE – FITTING
	2	AN3-5A	BOLT - ATTACH
	2	NAS1149F0363P	WASHER
	2	MS21044N3	NUT
	4	AN816-4D	NIPPLE – FITTING
3	3	AN832-4D	UNION - FIREWALL
	3	NAS1149F0763P	WASHER
	3	AN924-4D	NUT
4	2	AN3-3A	BOLT - TOP BRACKET ATTACH
	4	NAS1149F0332J	WASHER
	2	MS21044N3	NUT
5	1	21A09348-020	ANGLE – LOWER PUMP ATTACH
	4	AN3-4A	BOLT
	8	NAS1149F0363J	WASHER
	4	MS21044N3	NUT
6	1	30A09000-284	ASS'Y – HYDRAULIC PUMP - FUSELAGE (SEE DETAIL)
7	2	AN4-4A	BOLT
	2	AN960-4L	WASHER
8	2	8A09000-048	HOES, ACCUMULATOR
	2	AN806-4D	PLUG
9	1	21A09000-194	ASS'Y – HAND PUMP
10	1	12A3-7379-1	ASS'Y – PLACARD
11	3	AN3-4A	BOLT – ATTACH
	3	AN970-3	WASHER
	3	NAS1149F0363P	WASHER
	3	MS21044N3	NUT
12	1	MS35489-49	GROMMET
13	1	21A09396-001	HANDLE
14	1	642873	HAND PUMP (ONLY)
15	1	21A09156-129	BRACKET – PUMP ATTACH
16	1	AN814-4D	PLUG
	1	MS28775-012	“O” RING
17	1	21A09746-001	UNION
	1	MS28775-012	“O” RING
18	1	AN815-4D	UNION
	1	MS28775-012	“O” RING
19	1	AN919-6D	UNION
	1	MS28775-014	“O” RING

PARTS MANUAL  
3000 FLOATS ON CESSNA 182

<b>ITEM</b>	<b>QTY</b>	<b>PART NO.</b>	<b>PART DESCRIPTION</b>
20	1	9283K13	CAP PLUG
21	2	MS16997-77	CAP SCREW – ATTACH
	2	NAS1149F0563P	WASHER
22	1	21A12000-052	ASS'Y - HANDLE
23	2	21A04000-080	ASS'Y – BRAKE LINE (NOT SHOWN)
	2	63-190600-3	FITTING

# HYDRAULIC PUMP ASSEMBLY 1011850 POST SERVICE LETTER 231





**POWER PACK SCHEMATIC**  
 (RELAYS SHOWN IN RELAXED CONDITION)

1. GE WIRES 20 GA
2. GA WIRES 12 GA

ITEM	QTY	PART NO.	PART DESCRIPTION
-	1	1011850	ASSEMBLY, HYDRAULIC POWER PACK, 24V
1	1	1009428	ASSEMBLY, SENSOR, FLUID LEVEL
	1	93786A200	PRESSURE SEALING WASHER, M12
2	2	1011062	ASSEMBLY, PLUG, PRESSURE SWITCH PORT
3	1	1011842	ANGLE, MOUNTING HYDRAULIC PUMP
	2	MS16997-96	SOCKET HEAD CAP SCREW, 3/8-16 THREAD
	2	MS35338-46	WASHER, SPLIT
4	1	1011845	ASSEMBLY, SUPPORT PLATE, HYDRAULIC POWER PACK, 12V
	1	1011846	ASSEMBLY, SUPPORT PLATE, HYDRAULIC POWER PACK, 24V
4.1	2	03-09-1022	CONNECTOR PLUG, MALE, 2 CONN.
	4	02-09-1104	PIN, CRIMP FEMALE, 1/8" DIA
4.2	1	1005042	TIMER RELAY HARNESS, 12VDC
	1	1005043	TIMER RELAY HARNESS, 24VDC
4.3	1	1009143-01	PLACARD, K1 INDICATOR
	1	1009143-02	PLACARD, K2 INDICATOR
	1	1009143-03	PLACARD, K3 INDICATOR
4.4	1	1009144-01	PLACARD, CR INDICATOR
4.5	1	1009144-02	PLACARD, AC INDICATOR
4.6	1	1011798	ASSEMBLY, CAPACITOR
	1	MS21919WDG10	CLAMP, LOOP, CUSHIONED, 5/8" TUBE OD
	1	AN3-3A	BOLT, 10-32, 0.063 GRIP, UNDRILLED, STEEL
	1	NAS1149F0332P	WASHER, 0.203 ID, 0.032 THK, STEEL
	1	MS21044N3	NUT, LOCKING, REGULAR HEIGHT, 10-32 UNF
4.7	1	1011843	TOP PLATE, HYDRAULIC PUMP
4.8	1	1011844	ELECTRONIC SIDE PLATE
4.9	1	206429-1	PLUG, MALE, CPC SIZE 1, 4 PIN
	3	66103-4	PIN, CRIMP SOCKET, 24-20 AWG
	1	206062-3	CLAMP, CABLE, CPC SIZE 11
4.10	1	206430-2	PLUG, FEMALE, CPC SIZE 1, 4 PIN
	3	66105-4	CRIMP SOCKET, FEMALE
	1	206062-3	CLAMP, CABLE, CPC SIZE 11
4.11	1	3453LF2A	FUSE HOLDER
	1	AGC-1	FUSE, 250V, 1 AMP
4.12	1	6-140	TERMINAL BLOCK, 6 CONNECTOR
	2	AN526C632R8	SCREW, MACHINE, TRUSS HEAD, 6-32 THREAD
	2	MS21044N06	NUT LOCKING, REGULAR HEIGHT, 6-32 UNC
	12	MS25036-102	RING TERMINAL, #6 STUD, 16-22 AWG, RED
	3	1N4004	DIODE
4.13	1	73F-250-32-NL	CONNECTOR, FEMALE, 10-12 AWG, FULLY INSULATED
4.14	1	73M-250-32-NL	CONNECTOR, MALE, 10-12 AWG, FULLY INSULATED
4.15	3	BR05-FW	SOCKET, 5 PRING, PLASTIC

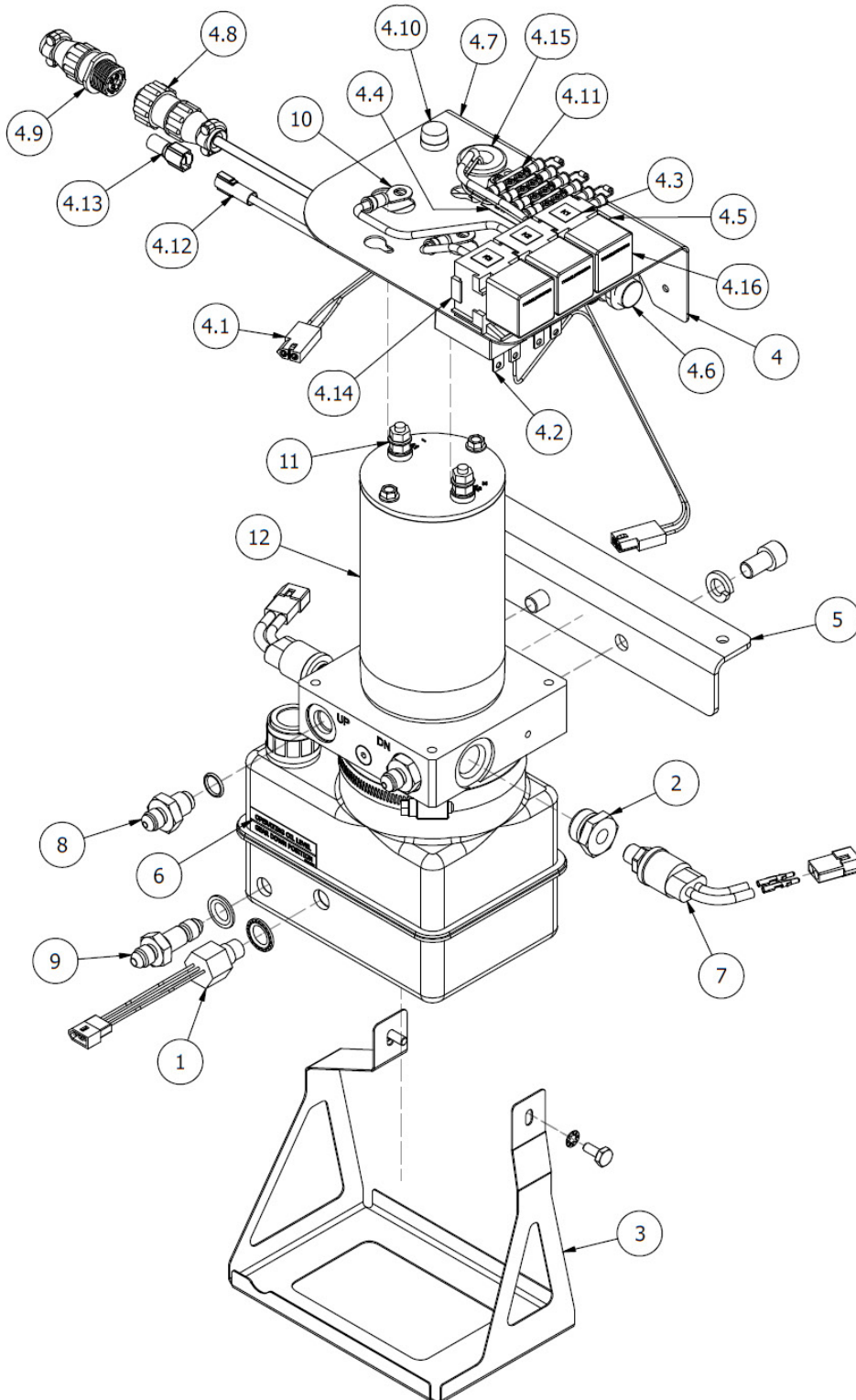


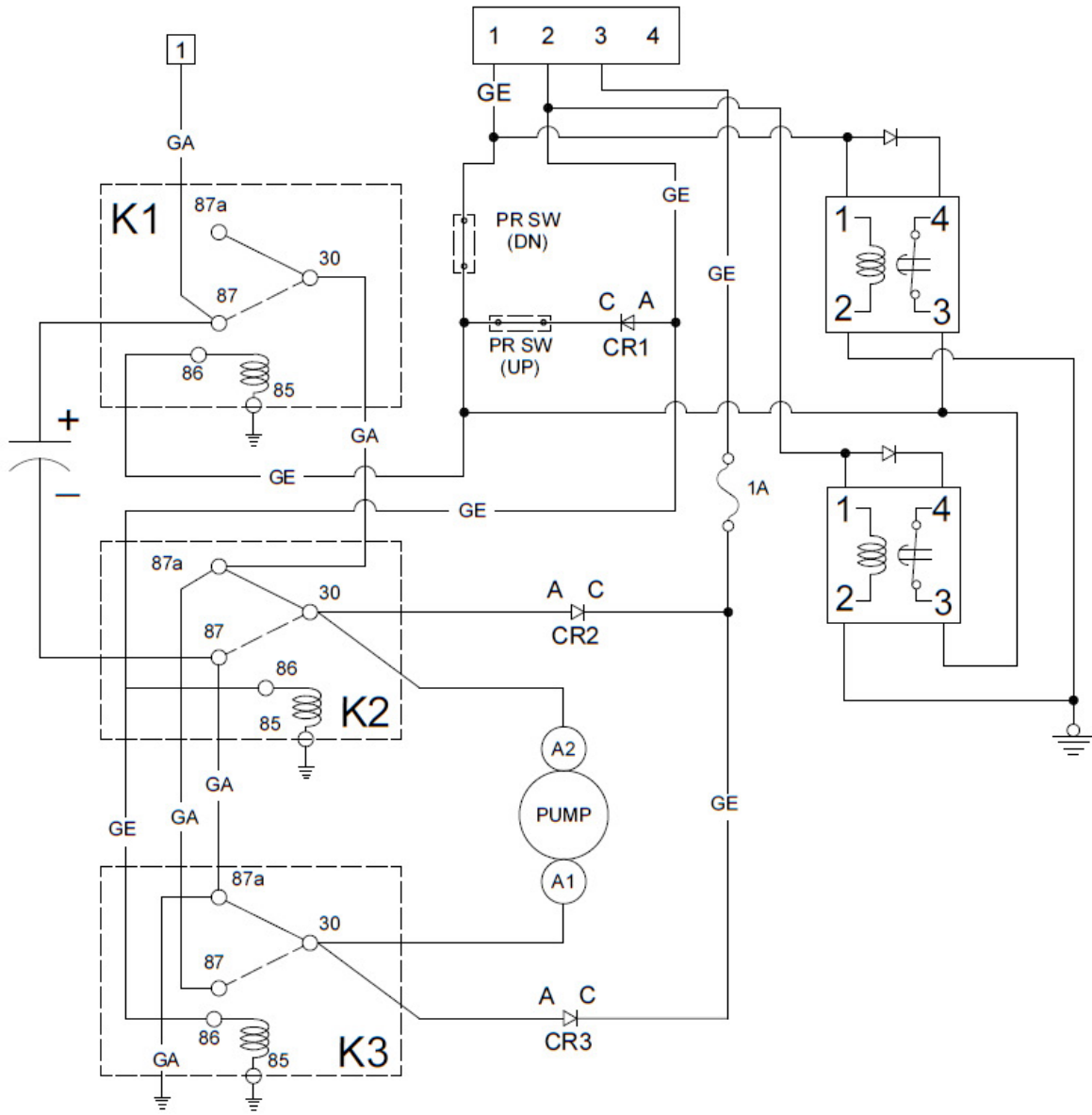
PARTS MANUAL  
3000 FLOATS ON CESSNA 182

ITEM	QTY	PART NO.	PART DESCRIPTION
	14	1-901-355-917	TERMINAL
	3	AN3-3A	BOLT, 10-32, 0.063 GRIP, UNDRILLED, STEEL
	6	NAS1149F0332P	WASHER, 0.203 ID, 0.032 THK, STEEL
	3	MS21044N3	NUT, LOCKING, REGULAR HEIGHT, 10-32 UNC
4.16	1	MS35489-9	GROMMET, RUBBER (NOT SHOWN)
4.17	1	MS35489-14	GROMMET, RUBBER
4.18	3	V23234- A0001-X032	RELAY, PRONG, 12V
	3	0-332-209-211	RELAY, 5 PRONG, 24V
5	1	1011847	ASSEMBLY, HYDRAULIC RESERVOIR
5.1	1	1011848	PLACARD, OIL LEVEL
5.2	1	1EJT7	BREATHER VENT
5.3	1	AN816-4D	NIPPLE, FLARED TUBE AND PIPE THREAD
5.4	2	LSP151-04-01	LIQUID LEVEL SIGHT PLUG
6	2	20PS001EB700 W50OW	PRESSURE SWITCH
	2	03-09-2022	CONNECTOR, PLUG, FEMALE
	4	02-09-2118	PIN, CRIMP MALE, 1/8" DIA.
7	4	AN3-16A	BOLT, 10-32, 1.375 GRIP, UNDRILLED, STEEL
8	2	AN919-3D	FITTING, REDUCER
	2	MS28775-013	O-RING, HYDRAULIC
9	4	MS21044N3	NUT, LOCKING, REGULAR HEIGHT, 10-32 UNF
10	2	MS25036-157	RING TERMINAL, 1/4 STUD, 10-12 AWG, YELLOW
11	2	NAS1149F0332P	WASHER, 0.203 ID., 0.032 THK, STEEL
12	5	NAS1149F0363P	WASHER, 0.203 ID, 0.063 THK, STEEL
13	2	NAS1149F0432P	WASHER, 0.265 ID, 0.032 THK, STEEL
14	1	YBZS- C0.63W1T100K/ UVZOT2	HYDRAULIC PUMP, 12VDC
	1	YBZS- C0.63W2T100K/ UVZOT2	HYDRAULIC PUMP, 24VDC

# HYDRAULIC PUMP ASSEMBLIES 1011878 & 1011879

## POST SERVICE LETTER 231





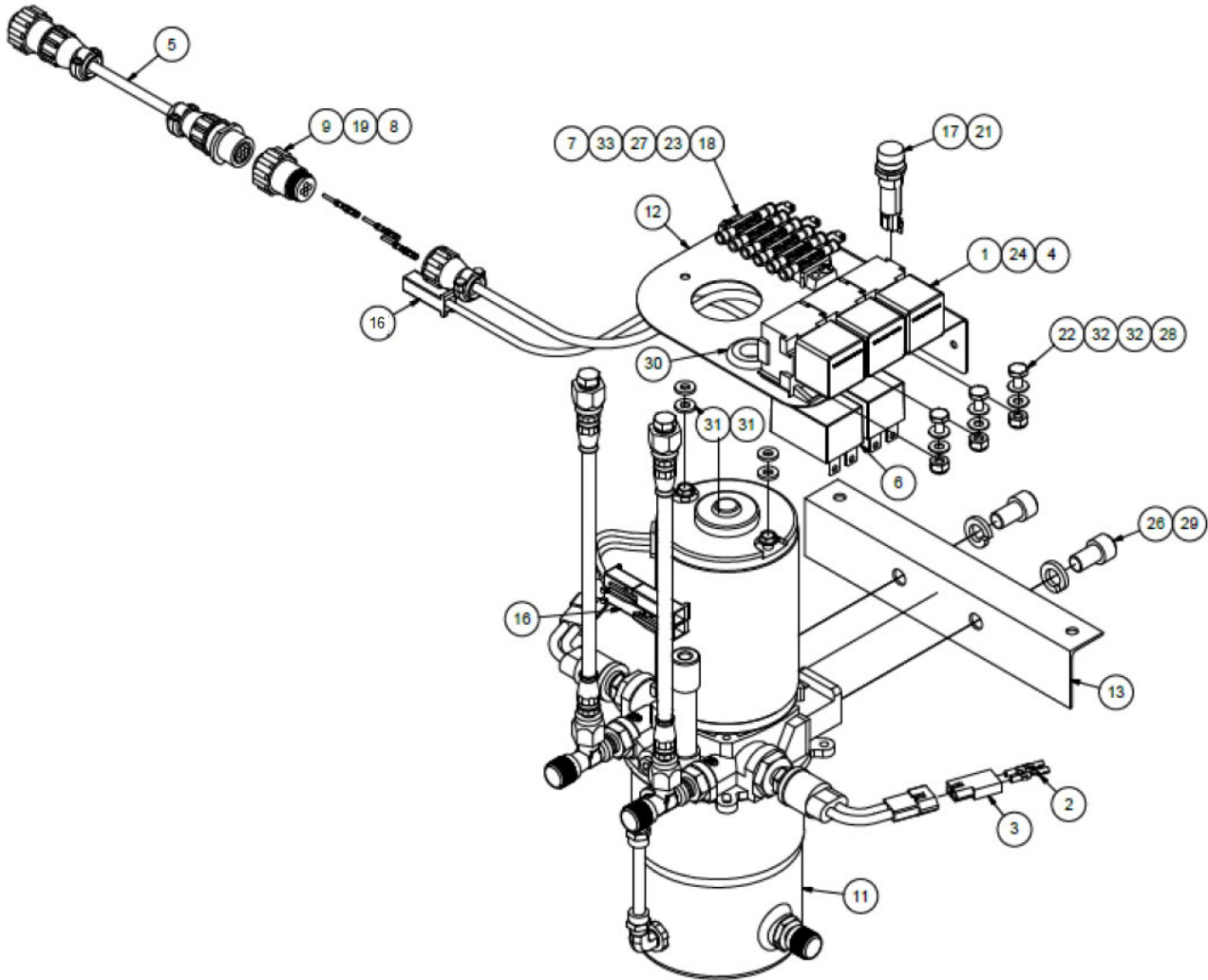
POWER PACK SCHEMATIC  
(RELAYS SHOWN IN RELAXED CONDITION)  
1. GE WIRES 20 GA  
2. GA WIRES 12 GA

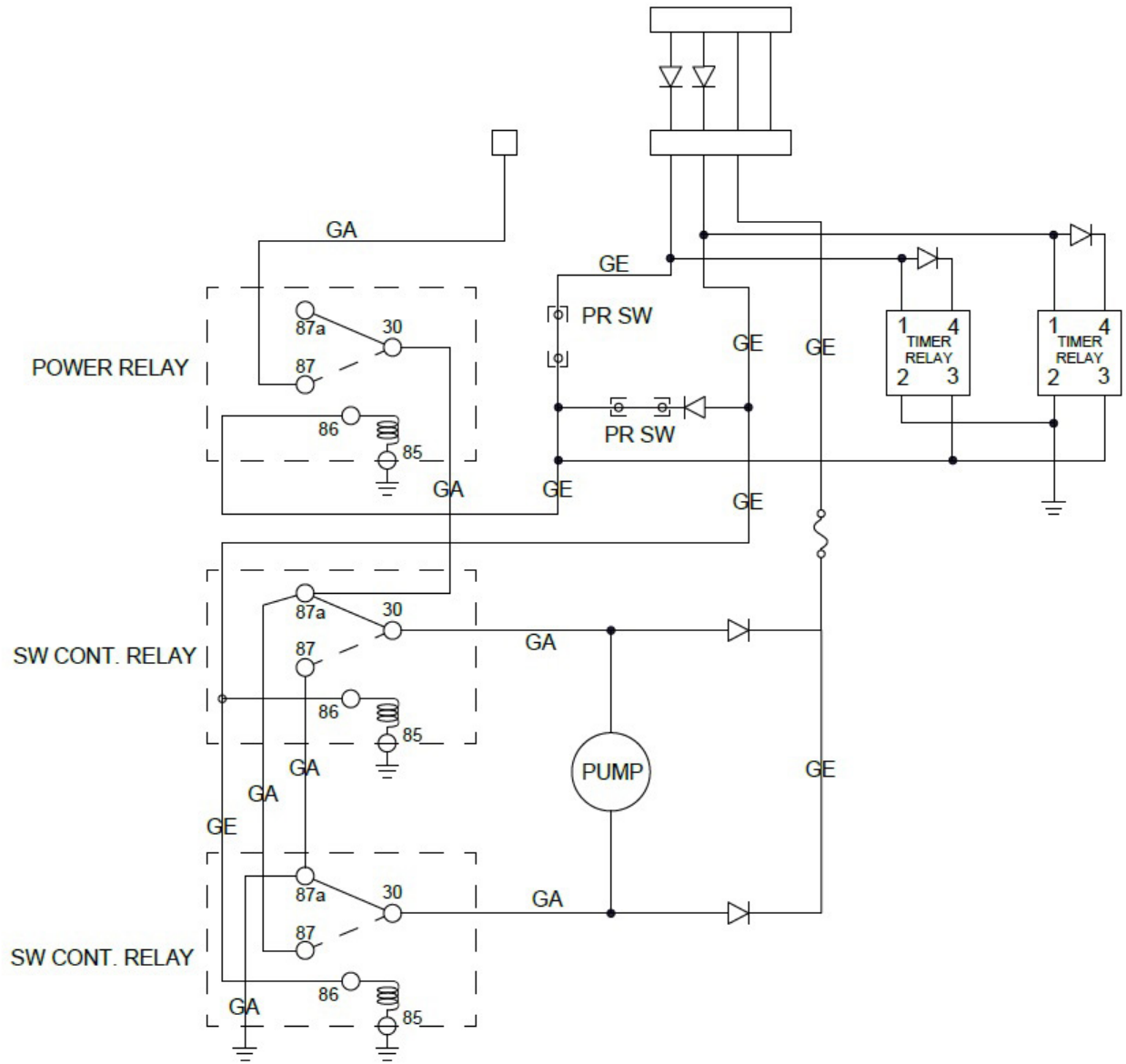
ITEM	QTY	PART NO.	PART DESCRIPTION
-	1	1011878	ASSEMBLY, HYDRAULIC POWER PACK, 12V
-	1	1011879	ASSEMBLY, HYDRAULIC POWER PACK, 24V
1	1	1009428	ASSEMBLY, SENSOR, FLUID LEVEL
	1	93786A200	PRESSURE SEALING WASHER, M12
	1	NJAM12X1.0CLZ	NUT, JAM, M12X1.0, ZINC
2	2	1011062	ASSEMBLY, PLUG, PRESSURE SWITCH PORT
3	1	1011542	SUPPORT, HYDRAULIC RESERVOIR, SIDE MOUNT
	2	AN3-3A	BOLT, 10-32, 0.0625 GRIP, UNDRILLED, STEEL
	2	MS35333-39	STAR WASHER
4	1	1011875	ASSEMBLY, SUPPORT PLATE, HYDRAULIC PUMP, 12V
	1	1011876	ASSEMBLY, SUPPORT PLATE, HYDRAULIC PUMP, 24V
4.1	2	03-09-1022	CONNECTOR PLUG, MALE, 2 CONN.
	4	02-09-1104	PIN, CRIMP, FEMALE, 1/8" DIA.
4.2	1	1005042	TIMER RELAY HARNESS, 12 VDC
	1	1005043	TIMER RELAY HARNESS, 24 VDC
4.3	1	1009143-01	PLACARD, K1 INDICATOR
	1	1009143-02	PLACARD, K2 INDICATOR
	1	1009143-03	PLACARD, K3 INDICATOR
4.4	1	1009144-01	PLACARD, CR INDICATOR
4.5	1	1009144-02	PLACARD, AC INDICATOR
4.6	1	1011798	ASSEMBLY, CAPACITOR
	1	MS21919WDG10	CLAMP, LOOP, CUSHIONED, 5/8" TUBE OD
	1	AN3-5A	BOLT, 10-32, 0.25 GRIP, UNDRILLED, STEEL
	1	NAS1149F0332P	WASHER, 0.203 ID, 0.032 THK, STEEL
	1	MS21044N3	NUT, LOCKING, REGULAR HEIGHT, 10-32 UNF
4.7	1	1011874	TOP PLATE, HYDRAULIC PUMP
4.8	1	206429-1	PLUG, MALE, CPC SIZE 1, 4 PIN
	2	66103-4	PIN, CRIMP SOCKET, 24-20 AWG
	1	206062-3	CLAMP, CABLE, CPC SIZE 11
4.9	1	206430-2	PLUG, FEMALE, CPC SIZE 1, 4 PIN
	3	66105-4	CRIMP SOCKET, FEMALE
	1	206062-3	CLAMP, CABLE, CPC SIZE 11
4.10	1	3453LF2A	FUSE HOLDER
	1	AGC-1	FUSE, 250V, 1 AMP
4.11	1	6-140	TERMINAL BLOCK, 6 CONNECTOR
	2	AN526C632R8	SCREW, MACHINE, TRUSS HEAD, 6-32 THREAD
	2	MS21044N06	NUT LOCKING, REGULAR HEIGHT, 6-32 UNC
	12	MS25036-102	RING TERMINAL, #6 STUD, 16-22 AWG, RED
	3	1N4004	DIODE
4.12	1	73F-250-32-NL	CONNECTOR, FEMALE, 10-12 AWG, FULLY INSULATED
4.13	1	73M-250-32-NL	CONNECTOR, MALE, 10-12 AWG, FULLY INSULATED

PARTS MANUAL  
3000 FLOATS ON CESSNA 182

ITEM	QTY	PART NO.	PART DESCRIPTION
4.14	3	BR05-FW	SOCKET, 5 PRONG, PLASTIC
	14	1-901-355-917	TERMINAL
	2	AN3-3A	BOLT, 10-32, 0.0625 GRIP, UNDRILLED, STEEL
	4	NAS1149F0332P	WASHER, 0.203 ID, 0.032 THK, STEEL
	2	MS21044N3	NUT, LOCKING, REGULAR HEIGHT, 10-32 UNC
4.15	1	MS35489-14	GROMMET, RUBBER
4.16	3	V23234- A0001-X032	RELAY, 5 PRONG, 12V
	3	0-332-209-211	RELAY, 5 PRONG, 24V
5	1	1011877	ANGLE, MOUNTING, HYDRAULIC PUMP
	2	MS16997-96	SOCKET HEAD CAP SCREW
	1	MS35338-46	WASHER, SPLIT
6	1	6A3-2199	PLACARD, OIL LEVEL
7	1	20PS001EB700 W500W	PRESSURE SWITCH
	2	03-09-2022	CONNECTOR, PLUG, FEMALE
	4	02-09-2118	PIN, CRIMP MALE, 1/8" DIA.
8	2	AN919-3D	FITTING, REDUCER
	2	MS28775-013	O-RING, HYDRAULIC
9	1	AN832-4D	UNION, BULKHEAD
	1	93783A032	SEALING WASHER
	1	AN924-4D	JAM NUT
10	2	MS25036-157	RING TERMINAL, 1/4 STUD, 10-12 AWG, YELLOW
11	2	NAS1149F0432P	WASHER, 0.265 ID, 0.032 THK, STEEL
12	1	YBZS- C0.63W1T100K/ UVZOT2	HYDRAULIC PUMP, 12VDC
	1	YBZS- C0.63W2T100K/ UVZOT2	HYDRAULIC PUMP, 24VDC

# HYDRAULIC PUMP ASSEMBLY PRE SERVICE LETTER 231



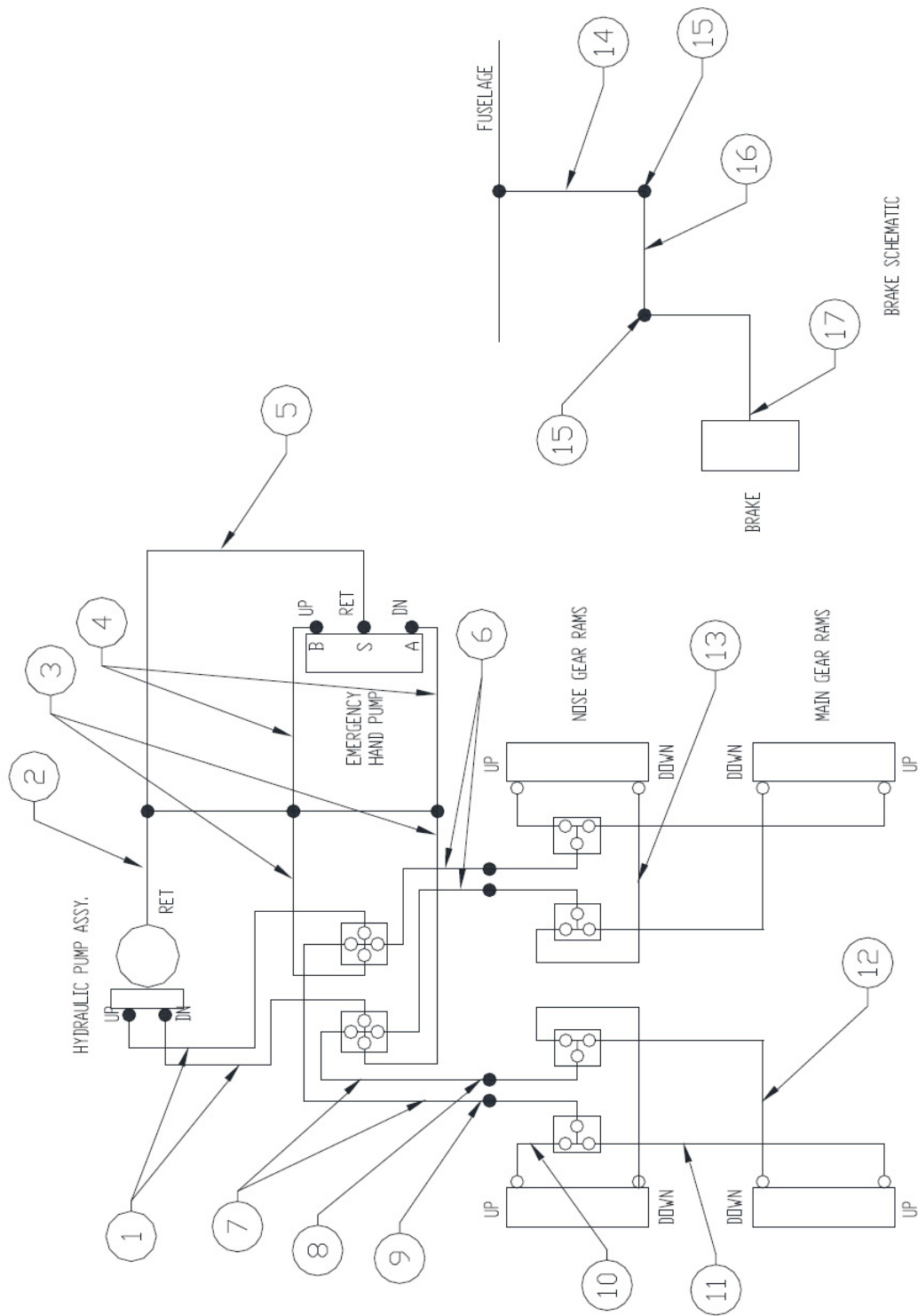


**ELECTRICAL SCHEMATIC**  
 PUMP WIRING SCHEMATIC  
 (RELAYS SHOWN IN RELAXED CONDITION)  
 1. GE WIRES 20 GA  
 2. GA WIRES 12 GA

ITEM	QTY	PART NO.	PART DESCRIPTION
1	3	0-332-209-137	RELAY, 12V, 5 PRONG
	3	0-332-209-211	RELAY, 24V, 5 PRONG
2	4	02-09-1104	PIN, CRIMP FEMALE, 1/8" DIA
3	2	03-09-1022	CONNECTOR PLUG, MALE, 2 CONN.
4	14	1-901-355-917	TERMINAL
5	1	1004949	CABLE, DIODE ADAPTOR
6	1	1005042	TIMER RELAY HARNESS 12V
	1	1005043	TIMER RELAY HARNESS 24V
7	3	1N4004	DIODE, 2-1/2"
8	2	206062-3	CLAMP, CABLE, CPC SIZE 11
9	1	206429-1	PLUG, MALE, CPC SIZE 1, 4 PIN
10	1	206430-2	CPC FREE HANG, 4 PIN, FEMALE
11	1	21A09000-215	ASSEMBLY, HYDRAULIC PUMP, 12V
	1	21A09000-282	ASSEMBLY, HYDRAULIC PUMP, 24V
12	1	21A09005-264	SUPPORT, HYD. PUMP ATTCH
13	1	21A09352-030	ANGLE, MOUNTING, HYD. PUMP
14	6 FT	22759-16-12-9	WIRE, 12 AWG, WHITE
15	10.1 FT	22759-16-20-9	WIRE, 20 AWG, WHITE
16	1	73F-250-32-NL	CONNECTOR, FEMALE, 10-12 AWG
	1	73M-250-32-NL	CONNECTOR, MALE, 10-12 AWG
17	1	3453LF2A	FUSE HOLDER
18	1	6-140	TERMINAL BLOCK, 6 CONNECTOR
19	3	66103-4	PIN, CRIMP SOCKET, 24-20G
20	3	66105-4	CRIMP SOCKET, FEMALE
21	1	AGC-1	FUSE, 250V, (S2565-1)
22	3	AN3-3A	BOLT
23	2	AN526-632R8	SCREW, MACHINE, TRUSS HEAD
24	3	BR05FW	SOCKET, 5 PRONG, PLASTIC
25	1.5 FT	MS23053/5-105-0	HEAT SHRINK, TUBING, BLACK
26	2	MS16997-96	SOCKET HEAD CAP SXREW
27	2	MS21044N06	NUT
28	3	MS21044N3	NUT
29	2	MS35338-46	WASHER, SPLIT
30	1	MS35489-14	GROMMET, RUBBER
31	4	NAS1149D0363J	WASHER
32	6	NAS1149F0332P	WASHER
33	12	MS25036-102	RING TERMINAL, #6 STUD, 16-22 AWG, RED

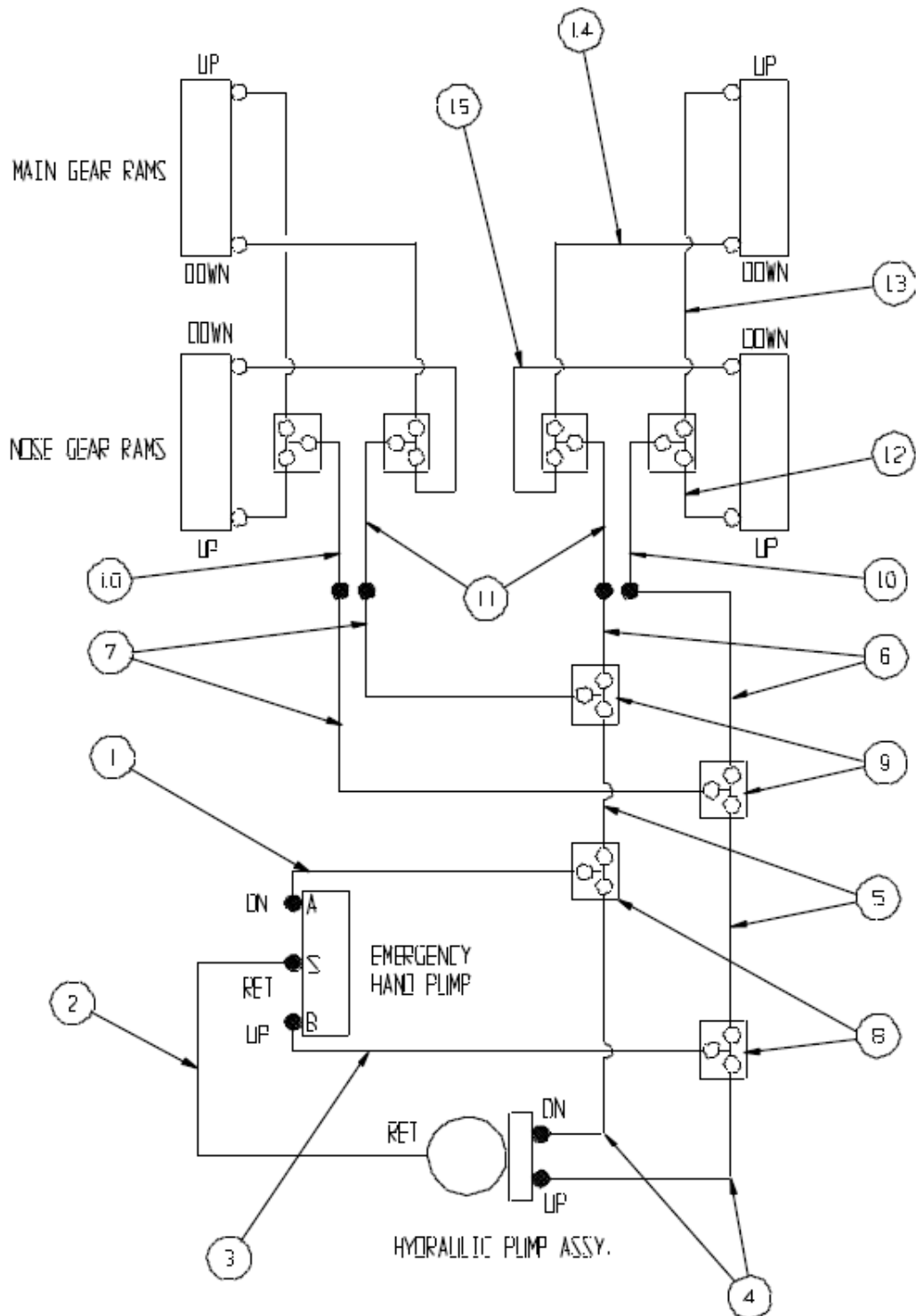


### HYDRAULIC PUMP (FIREWALL) SCHEMATIC



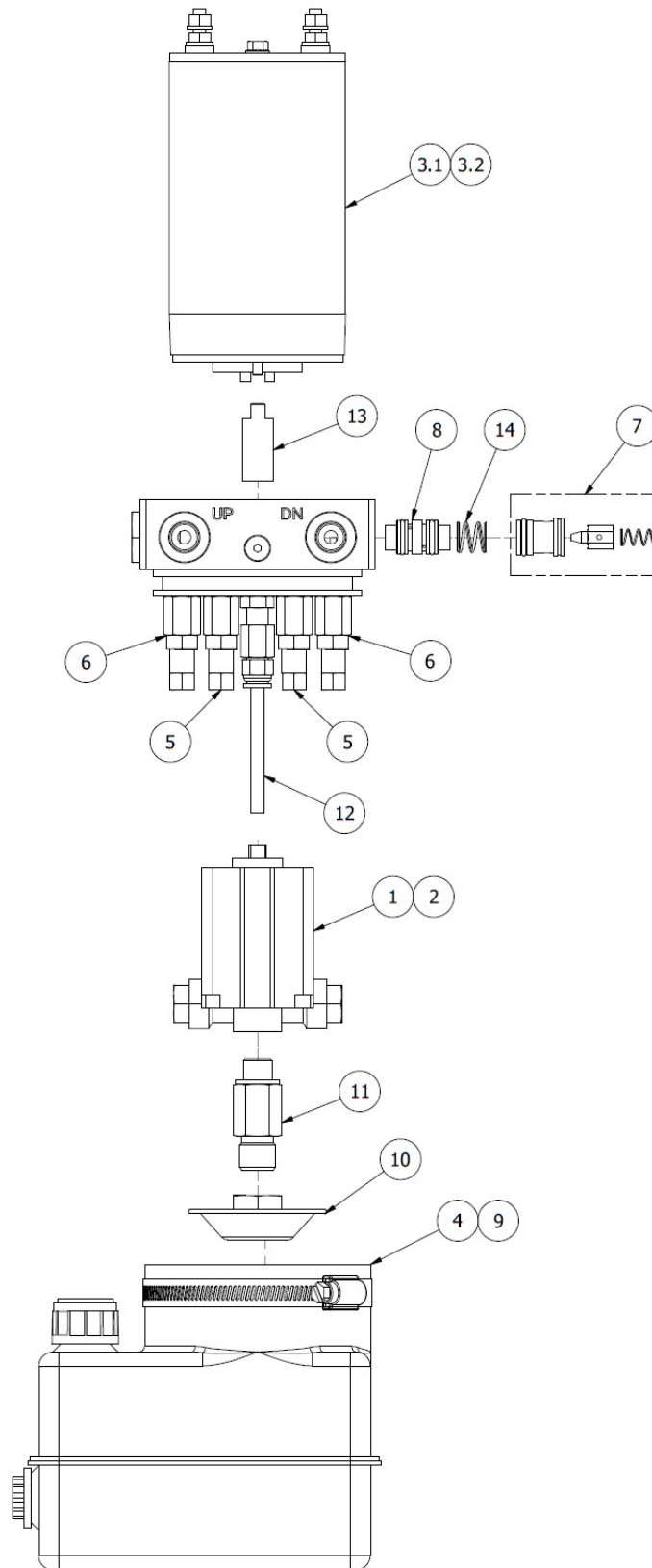
ITEM	QTY	PART NO.	PART DESCRIPTION
1	2	21A09000-197	HOSE, MAIN PUMP TO MANIFOLD
2	1	21A09000-201	HOSE, LWR RES. FTG. TO F.W
3	2	21A09000-200	HOSE, FIREWALL TO MANIFOLD
4	2	21A09000-202	HOSE, FIREWALL-TO HAND PUMP
5	1	21A09000-203	HOSE, FIREWALL TO HAND PUMP
6	2	21A09000-198	HOSE, LEFT FLOAT TO MANIFOLD
7	2	21A09000-199	HOSE, RIGHT FLOAT TO MANIFOLD
8	2	30A09000-273	ASSEMBLY, HYDRAULIC HOSE, FLOAT DOWN TEE TO FLOAT DECK
9	2	30A09000-272	ASSEMBLY, HYDRAULIC HOSE, FLOAT UP TEE TO FLOAT DECK
10	2	30A09000-268	ASSEMBLY, HYDRAULIC HOSE, FLOAT TEE TO NOSE UP
11	2	30A09000-270	ASSEMBLY, HYDRAULIC HOSE, FLOAT TEE TO MAIN UP, STEEL GEAR, 3000
12	2	30A09000-271	ASSEMBLY, HYDRAULIC HOSE, FLOAT TEE TO MAIN DOWN, STEEL GEAR, 3000
13	2	30A09000-269	ASSEMBLY, HYDRAULIC HOSE, FLOAT TEE TO NOSE DOWN
14	2	21A09000-080	ASS'Y – HYDRAULIC HOSE
	2	63-190600-3	FITTING, AEROQUIP #3 STRAIGHT
15	2	AN833-3D	FITTING – ELBOW
	4	NAS1149D0663J	WASHER
	2	AN924-3D	NUT
16	2	21A04000-079	ALUM BRAKE LINE
17	2	21A04000-078	HYD. LINE ASSY. WHEEL WELL BRAKE LINE

### HYDRAULIC PUMP (AFT FUSELAGE) SCHEMATIC



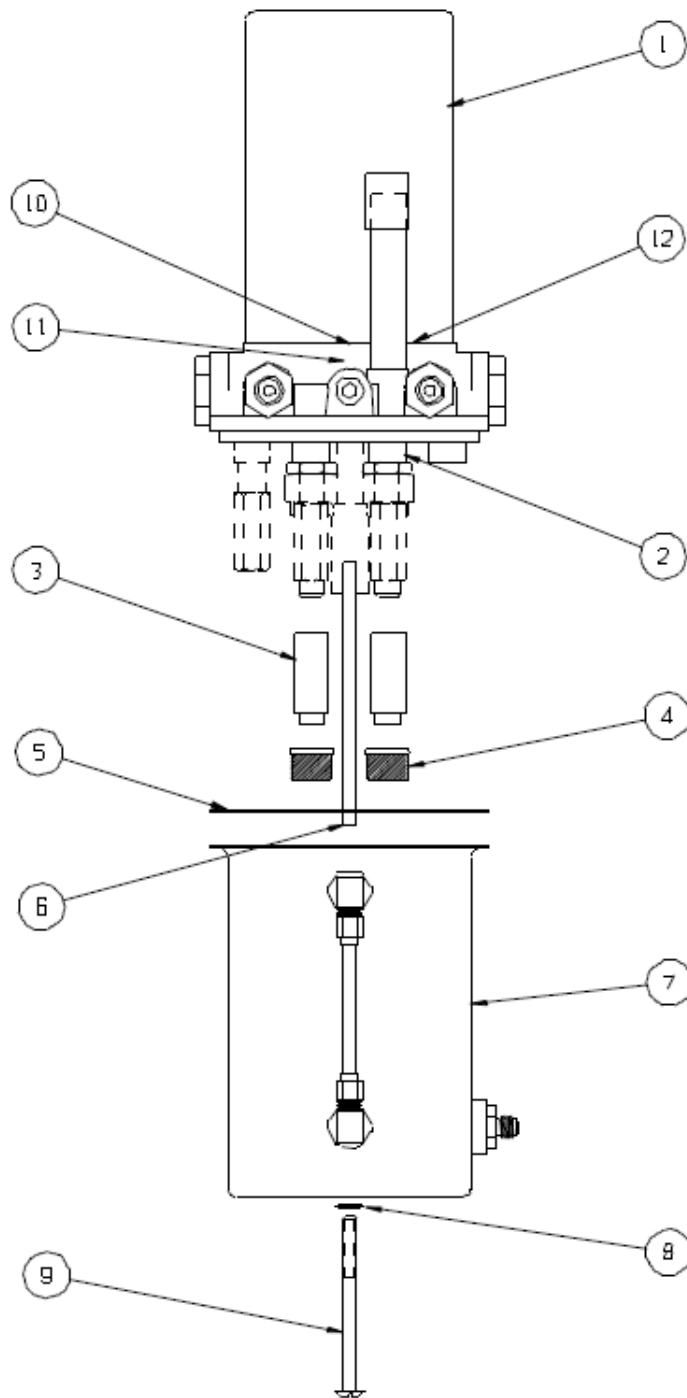
ITEM	QTY	PART NO.	PART DESCRIPTION
1	1	34A09000-249	ASSEMBLY, HYDRAULIC HOSE, RIGHT FUSELAGE TO TEE
2	1	34A09000-257	ASSEMBLY, HYDRAULIC HOSE, PUMP TO RETURN "S" HAND PUMP
3	1	21A09000-219	HYD. LINE ASSEMBLY, NOSE DOWN TO TEE
4	2	34A09000-285	ASSEMBLY, HYDRAULIC HOSE, PUMP UP/DOWN TO TEE
5	2	21A09000-218	HYD. LINE ASSEMBLY, NOSE UP TO TEE
6	2	34A09000-259	ASSEMBLY, HYDRAULIC HOSE, LH TO RH FUSELAGE FITTING
7	2	34A09000-260	ASSEMBLY, HYDRAULIC HOSE, TEE TO TEE RIGHT FUSELAGE
8	2	AN824-4D	TEE, FLARED TUBE, ALUMINUM, TUBE OD 1/4, THREAD 7/16-20
9	2	AN804-4D	TEE, FLARED TUBE WITH BULKHEAD ON RUN, 1/4" TUBE DIA, 5/16-20 THREAD
	2	AN924-4D	NUT, TUBE, BULKHEAD AND UNIVERSAL FITTING, 7/16-20 THREAD
	2	NAS1149F0763P	WASHER, DIA 7/16", STANDARD THICKNESS
10	2	30A09000-272	ASSEMBLY, HYDRAULIC HOSE, FLOAT UP TEE TO FLOAT DECK
11	2	30A09000-273	ASSEMBLY, HYDRAULIC HOSE, FLOAT DOWN TEE TO FLOAT DECK
12	2	30A09000-268	ASSEMBLY, HYDRAULIC HOSE, FLOAT TEE TO NOSE UP
13	2	30A09000-270	ASSEMBLY, HYDRAULIC HOSE, FLOAT TEE TO MAIN UP, STEEL GEAR
14	2	30A09000-271	ASSEMBLY, HYDRAULIC HOSE, FLOAT TEE TO MAIN DOWN, STEEL GEAR
15	2	30A09000-269	ASSEMBLY, HYDRAULIC HOSE, FLOAT TEE TO NOSE DOWN

## HYDRAULIC PUMP OVERVIEW POST SERVICE LETTER 231



ITEM	QTY	PART NO.	PART DESCRIPTION
1	1	202-0003	BI-DIRECTIONAL PUMP, 0.64 ML/R
2	1	299-0008	SEAL KIT, BI-DIRECTIONAL GEAR PUMP
3.1	1	610-0010	DC MOTOR, 12V, .8KW
3.2	1	610-0017	DC MOTOR, 24V, .8 KW
4	1	622-0016	RESERVOIR, 1 QT. (AFT FUSELAGE INSTALL ONLY)
5	2	631-0005	PRESSURE RELIEF VALVE
6	2	631-0006	THERMAL RELIEF VALVE
7	2	632-0004	ASSEMBLY, PILOT OPERATED CHECK VALVE
8	1	637-0024	SHUTTLE VALVE
9	1	681-0050	CLAMP, HOSE, PLASTIC RESERVOIR (AFT FUSELAGE INSTALL ONLY)
10	1	682-0019	FILTER, PICKUP TUBE, HYDRAULIC PUMP
11	1	682-0055	SUCTION HEX TUBE
12	1	682-0056	RETURN TUBE
13	1	683-0011	COUPLING, MOTOR TO PUMP
14	2	685-0012	SPRING, SHUTTLE VALVE
15	1	687-0001	SEAL KIT, RESERVIOR O-RING, PILOT OPERATED RELIEF VALVE O-RING, THERMAL AND PRESSURE RELIEF VALVE O-RING (NOT SHOWN)

## HYDRAULIC PUMP OVERVIEW PRE SERVICE LETTER 231



ITEM	QTY	PART NO.	PART DESCRIPTION
1	1	21A09000-215	HYDRAULIC PUMP ASS'Y (12V)
	1	21A09000-282	HYDRAULIC PUMP ASS'Y (24V)
	1	640661	MOTOR (12V)
	1	641131	MOTOR (24V)
2	1	634873	BASIC PUMP
3	2	362136	TUBE EXTENSIONS
4	2	410521*	FILTER
5	1	410578*	SEAL RESERVIOR
6	1	365047	RETURN TUBE
7	1	775260	RESERVIOR – GAUGE ASS'Y
8	1	415067	SEAL THREAD
9	1	409715*	SCREW – RESERVIOR ATTACH
10	1	361183*	COUPLING – MOTOR TO PUMP
11	1	410512	SEAL – PUMP SHAFT
12	1	405673	“O” RING MOTOR TO BASE

\*Reference Wipaire drawing 1011065 for alternate part numbers.



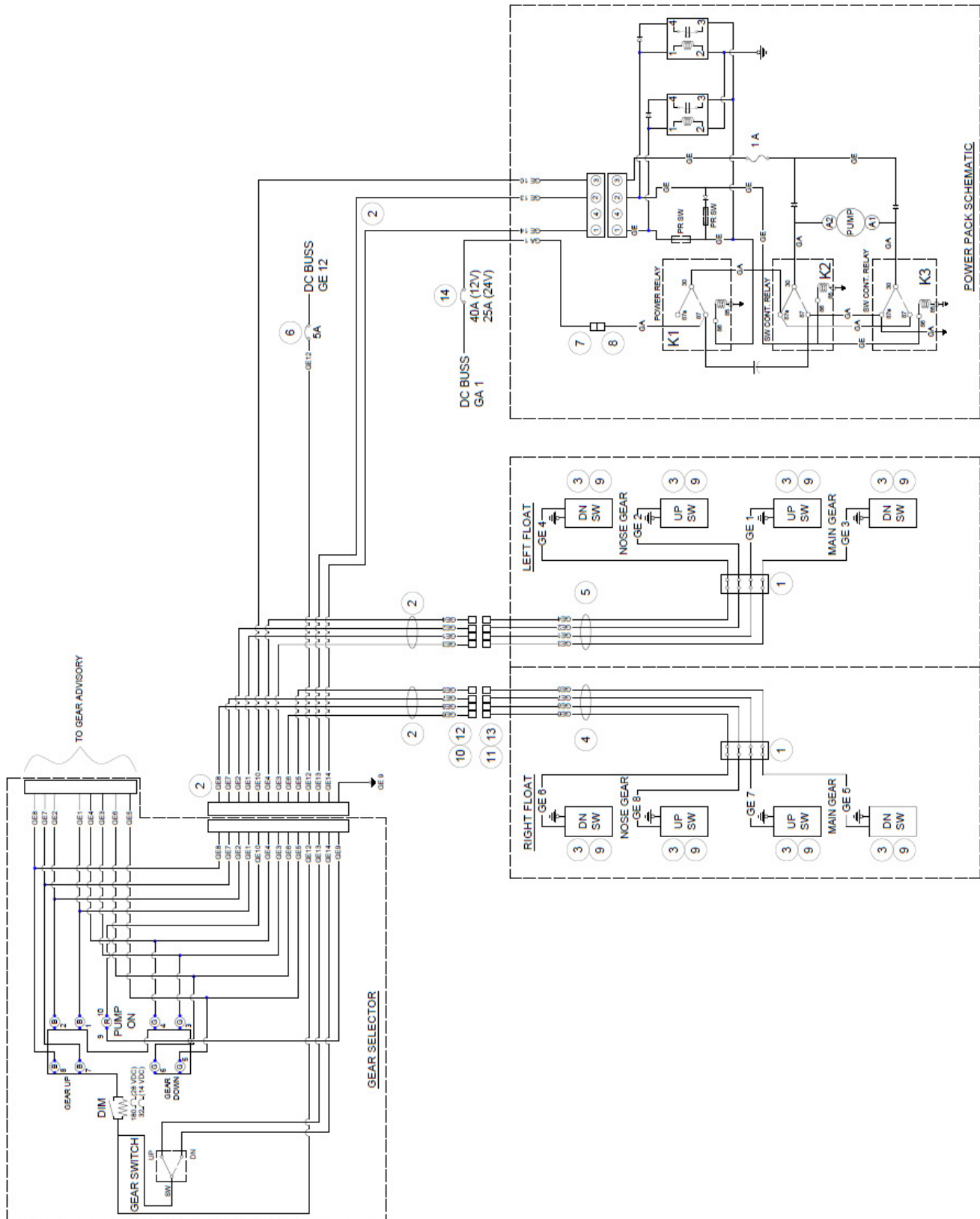
# SECTION 11

## ELECTRICAL

### CONTENTS

ELECTRICAL SCHEMATIC POST SERVICE LETTER 231 .....	138
ELECTRICAL SCHEMATIC PRE SERVICE LETTER 231 .....	140
GEAR CONTROL (ROUND) .....	142
GEAR CONTROL (RECTANGLE) .....	144
GEAR CONTROL (G1000 ONLY) .....	146

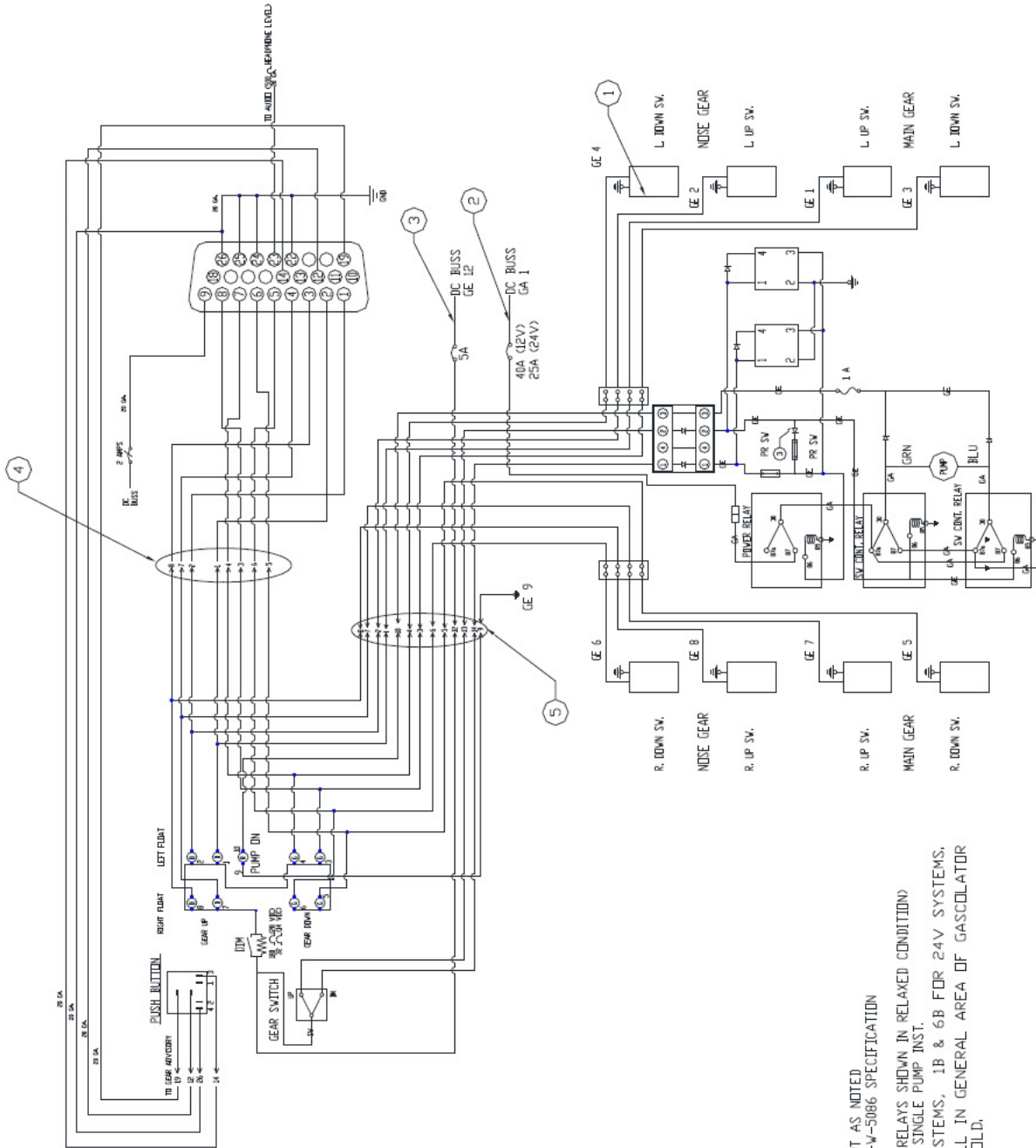
# ELECTRICAL SCHEMATIC POST SERVICE LETTER 231



PARTS MANUAL  
3000 FLOATS ON CESSNA 182

ITEM	QTY	PART NO.	PART DESCRIPTION
1	2	4-140	TERMINAL BLOCK, 4 POSITION
2	1	4A11000-012	WIRE HARNESS, GEAR SELECTOR, FLOATS, HYD. PUMP
3	8	5801	GEAR POSITION SWITCH, PROXIMITY, MAGNETIC
4	1	6A10000-004	WIRE HARNESS, LEFT FLOAT
5	1	6A10000-005	WIRE HARNESS, RIGHT FLOAT
6	1	7277-2-5	CIRCUIT BREAKER, 5 AMP
7	1	73F-250-32-NL	CONNECTOR, FEMALE, 12-10 AWG
8	1	73M-250-32-NL	CONNECTOR, MALE, 12-10 AWG
9	8	21A09005-262	CLIP, GEAR POSITION SWITCH HOLDER
10	8	S1635-1	PIN
11	8	S1636-1	SOCKET
12	8	S1637-1	HOUSING
13	8	S1637-2	HOUSING
14	1	W23-X1A1G-25	CIRCUIT BREAKER, 25 AMP, 24VDC
	1	W23-X1A1G-40	CIRCUIT BREAKER, 40 AMP, 12VDC

# ELECTRICAL SCHEMATIC PRE SERVICE LETTER 231

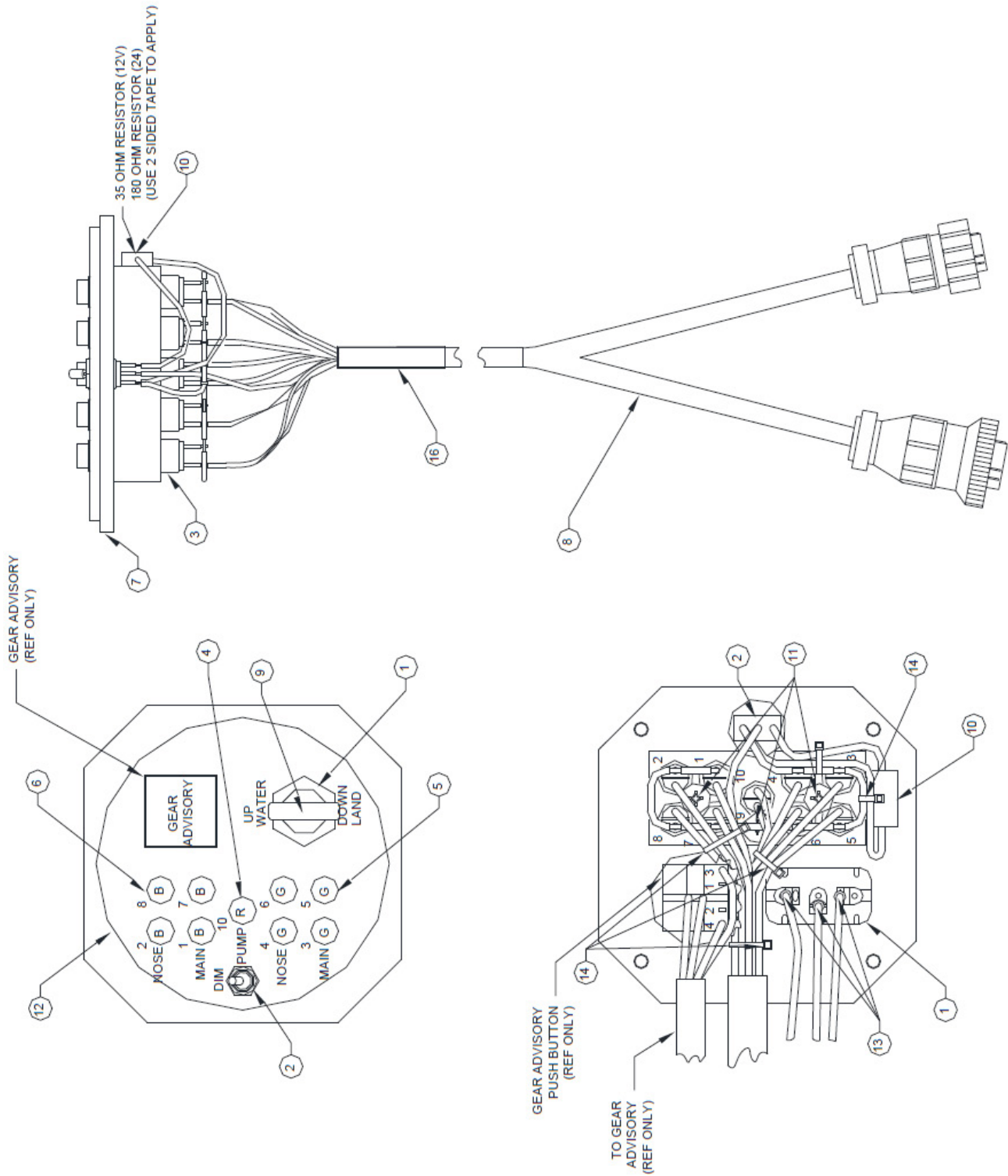


- NOTES:
1. GE WIRES ARE 20 GA.  
GA WIRES ARE 12 GA.  
ALL WIRES 22 GA. EXCEPT AS NOTED  
ALL WIRES TO MEET MIL-V-5086 SPECIFICATION
  2. ALL GROUND WIRES GE9
  3. PUMP WIRING SCHEMATIC (RELAYS SHOWN IN RELAXED CONDITION)
  4. ONE GE 11 NOT USED FOR SINGLE PUMP INST.
- △ 1A & 6A FOR 12V SYSTEMS, 1B & 6B FOR 24V SYSTEMS.  
△ LOCATED ON FIREWALL IN GENERAL AREA OF GASCOLATOR OR HYDRAULIC MANIFOLD.

PARTS MANUAL  
3000 FLOATS ON CESSNA 182

<b>ITEM</b>	<b>QTY</b>	<b>PART NO.</b>	<b>PART DESCRIPTION</b>
1	8	5801	SWITCH – PROXIMITY - MAGNETIC
	8	21A09005-262	CLIP – SWITCH HOLDER
2	1	W23-X1A1G-40	CIRCUIT BREAKER 40 AMP
3	1	W23-X1A1G-25	CIRCUIT BREAKER 25 AMP
4	1	4A11000-014	WIRE HARNESS
5	1	4A11000-012	WIRE HARNESS

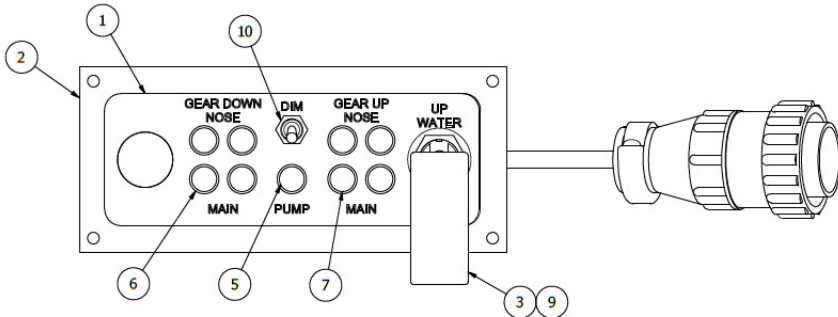
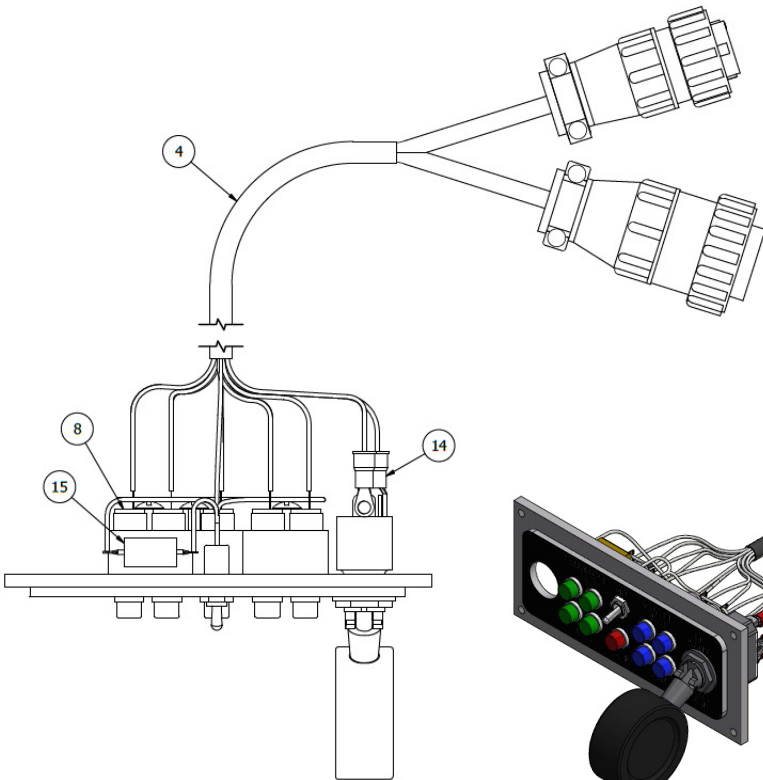
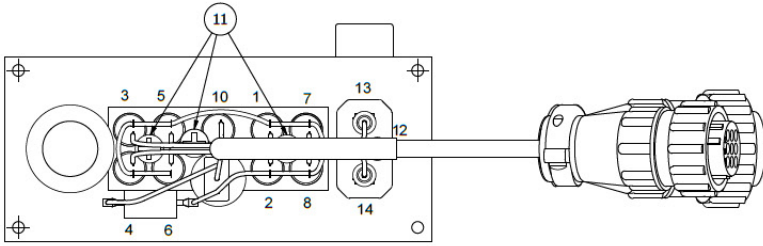
## GEAR CONTROL (ROUND)



PARTS MANUAL  
3000 FLOATS ON CESSNA 182

ITEM	QTY	PART NO.	PART DESCRIPTION
-	1	21A11000-009	GEAR SELECTOR ASSY. ROUND (12V)
-	1	21A11000-019	GEAR SELECTOR ASSY. ROUND (24V)
1	1	8857K44	SWITCH
2	1	A101SYCB	TOGGLE SWITCH, SPDT, ON-ON
3	9	515-0012	SOCKET
4	1	507-3914-1431-600	INDICATOR LAMP, 14V, RED
	1	507-3918-1431-600	INDICATOR LAMP, 28V, RED
5	4	507-3914-1432-600	INDICATOR LAMP, 14V, GREEN
	4	507-3918-1432-600	INDICATOR LAMP, 28V, GREEN
6	4	507-3914-1434-600	INDICATOR LAMP, 14V, BLUE
	4	507-3918-1434-600	INDICATOR LAMP, 28V, BLUE
7	1	21A11179-001	BLOCK, GEAR CONTROL
8	1	4A11000-008	HARNESS ASSEMBLY, GEAR SELECTOR
9	1	21A11259-003	GEAR SWITCH KNOB
10	1	RH-5-35	RESISTOR, 14V, DALE RH5 5W
	1	RH-5-180	RESISTOR, 28V, DALE RH5 5W
11	3	AN526-632R8	SCREW, TRUSS HEAD, 6-32
12	1	10B3-6202	PLACARD, ROUND2100 GEAR SELECTOR
13	3	MS25036-102	RING CONNECTOR, #6, 20 AWG, RED
14	5	PLT1M-M	CABLE TIE
15	16 IN	MS23053/5-105-0	SHRINK WRAP, 3/16, WHITE
16	3 IN	MS23053/5-108-0	HEAT SHRINK TUBING
17	6 IN	22759-16-20-9	WIRE, 20AWG, WHITE

## GEAR CONTROL (RECTANGLE)

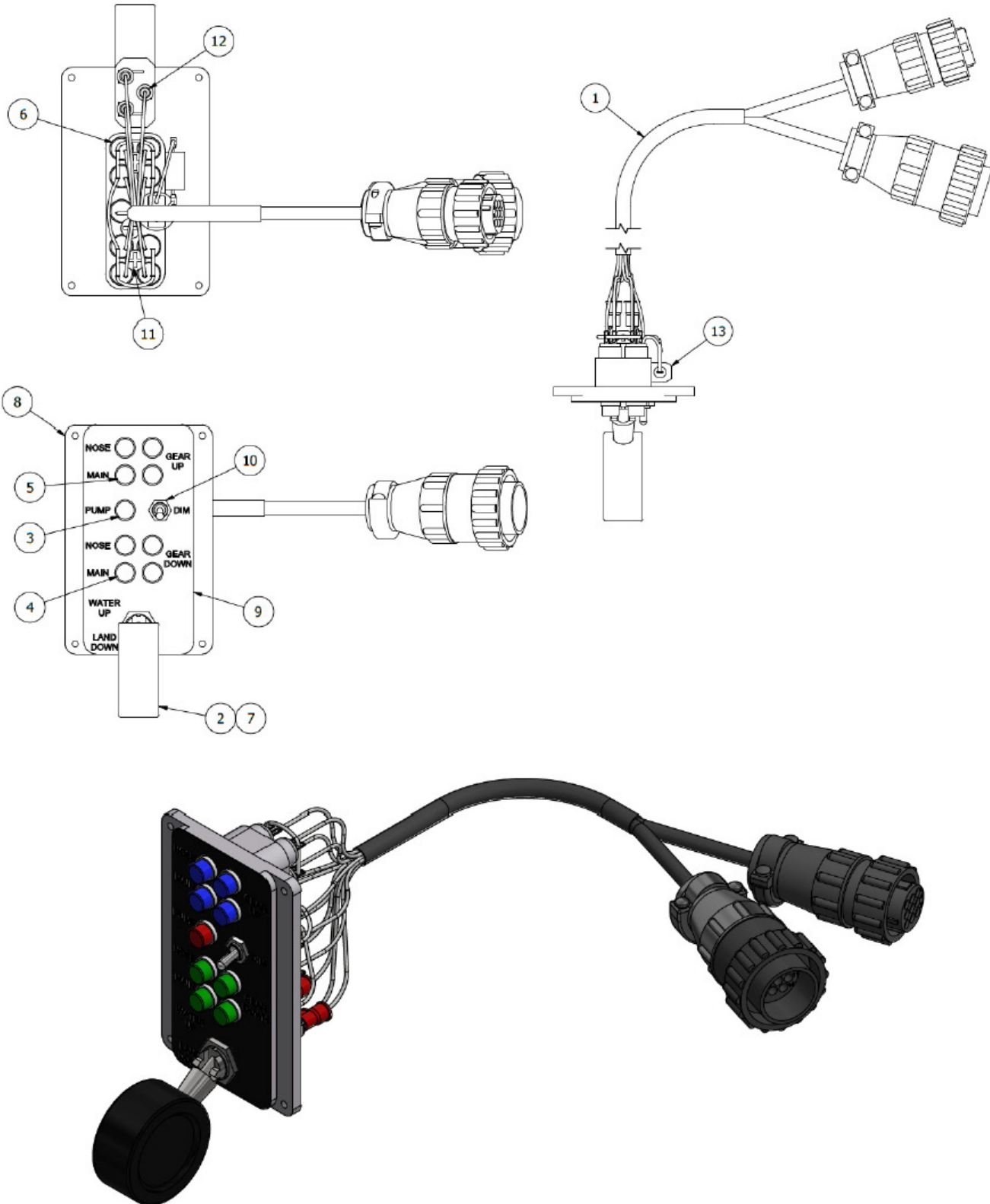




PARTS MANUAL  
3000 FLOATS ON CESSNA 182

ITEM	QTY	PART NO.	PART DESCRIPTION
-	1	21A11000-010	ASSEMBLY, INDICATOR, GEAR CONTROL, SQUARE, 12V
-	1	21A11000-018	ASSEMBLY, INDICATOR, GEAR CONTROL, SQUARE, 24V
1	1	10B3-6277	PLACARD, GEAR CONTROL SQUARE
2	1	21A11179-002	BLOCK GEAR CONTROL SQUARE
3	1	21A11259-003	GEAR SWITCH KNOB
4	1	4A11000-008	WIRING HARNESS ASSY. SELECTOR
5	1	5073914-1431-600	LAMP LIGHT, RED 14V
	1	5073918-1431-600	LAMP, LIGHT, RED, 28V
6	4	5073914-1432-600	LAMP LIGHT, GREEN 14V
	4	5073918-1432-600	LAMP, LIGHT, GREEN, 28V
7	4	5073914-1434-600	LAMP LIGHT, BLUE, 14V
	4	5073918-1434-600	LAMP, LIGHT, BLUE, 28V
8	9	515-0012	SOCKET
9	1	8857K44	SWITCH
10	1	A101SYCB	TOGGLE SWITCH
11	3	AN526C632R8	SCREW, TRUSS HEAD MACHINE, 6-32 THREAD, 1/2" LENGTH
12	12"	MS23053/5-103-0	HEAT SHRINK, TUBING - BLACK
13	8	PLT1M-M	CABLE TIE, NYLON, WHITE, 4" (SMALL)
14	3	MS25036-102	TERMINAL, RING #6 STUD, 16-22 AWG, RED
15	1	RH-5-35	RESISTOR, 14V, DALE RH5 5W
	1	RH-5-180	RESISTOR, 28V, DALE RH5 5W

## GEAR CONTROL (G1000 ONLY)



PARTS MANUAL  
3000 FLOATS ON CESSNA 182

ITEM	QTY	PART NO.	PART DESCRIPTION
1	1	4A11000-008	ASSEMBLY, WIRE HARNESS
2	1	21A11259-003	GEAR SWITCH KNOB
3	1	507-3918-1431-600	INDICATOR LAMP, 28V, RED
4	4	507-3918-1432-600	INDICATOR LAMP, 28V, GRN
5	4	507-3918-1434-600	INDICATOR LAMP, 28V, BLU
6	9	515-0012	SOCKET, GEAR SELECTOR LIGHTS
7	1	8857K44	SWITCH, GEAR SELECTOR, 2100/7000
8	1	1001172	BLOCK, GEAR CONTROL, GLASS PANEL
9	1	1001173	PLACARD, GEAR CONTROL, GLASS PANEL
10	1	A101SYCB	TOGGLE SWITCH, SPDT, ON ON
11	3	AN526-632R6	SCREW, MACHINE, TRUSS HEAD
12	3	MS25036-102	RING TERMINAL, #6 STUD, 16-22 AWG, RED
13	1	RH005180R0FE02	RESISTOR, 28V

THIS PAGE INTENTIONALLY LEFT BLANK

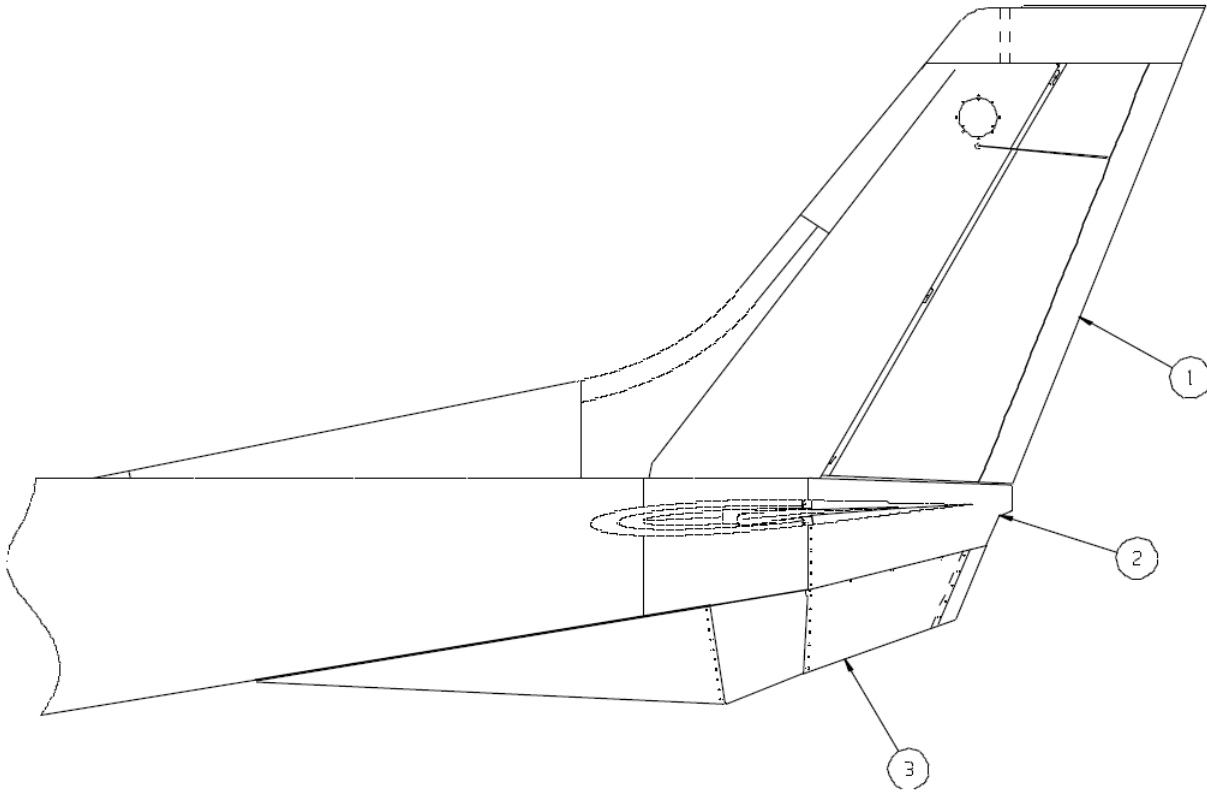
# SECTION 12

## RUDDER & VENTRAL FIN

### CONTENTS

RUDDER & VENTRAL FIN INSTALLATION.....150

## RUDDER & VENTRAL FIN INSTALLATION



ITEM	QTY	PART NO.	PART DESCRIPTION
1	1	30A13000-008	ASS'Y - RUDDER
2	1	30A16599-002	TAIL STINGER
3	1	30A12000-044	ASS'Y - VENTRAL FIN
	24	MS27130A13	RIVNUT - ATTACH
	24	MS35333-38	WASHER - LOCK
	24	NAS1149FN832P	WASHER
	24	AN526-832R8	SCREW - ATTACH