



WIPLINE FLOATS • SKIS • MODIFICATIONS • AIRCRAFT SALES
AVIONICS • INTERIOR • MAINTENANCE • PAINT REFINISHING



**PARTS MANUAL FOR RIVETED
WIPLINE MODEL 6100 AMPHIBIAN FLOATS
SERIAL NUMBERS 61500 AND UP**

Revision F

1700 Henry Ave. - Fleming Field (KSGS), South St. Paul, MN 55075
Ph: 651.451.1205 Fax: 651.457.7858
www.wipaire.com

THIS PAGE INTENTIONALLY LEFT BLANK

LOG OF REVISIONS

| Revision | Pages Affected | Description | Date |
|----------|--------------------|--|-----------|
| A | All | Initial release | 8/22/2019 |
| B | 79-89, 187 | Added drawing and parts section for Struts and Steps Installation. Added drawing and parts section for Spreader Bar Installation and Assembly. Added Baggage Compartment, Right Float parts list. Added hardware for 6A02362-007 Float Deck Fitting. | 4/27/2020 |
| C | 83, 107 | Changed Rod End Upper HMX106 to HMX10G in Struts and Steps Installation. Changed Wiper Shock Strut T-Seal 1005861 to 1009966 in Shock Strut Assembly. | 7/24/2020 |
| D | All | Added note about nose and main gear tire/tube. Added sections for Post/Pre Service Letters 214 & 215 for Hydraulics and Electrical. Replaced Unidirectional Hydraulic Pump 6A09000-029 to 1011404. Replaced Pump Mount Bracket Assembly 6A09000-030 to 1011402. Replaced Pump Reservoir Assembly 6A09000-115 to 1011359. Replaced Hydraulic Hose Assembly 8A09000-048 to 1011361-01. Updated image and parts for 1009750 Assembly Control Console. Updated Hydraulic Schematic image and parts list. Added new Bidirectional Hydraulic Schematic image and parts list. Updated Unidirectional Electrical Schematic image and parts list. Added 21A11000-019 Bidirectional Gear Selector Round Assembly image and parts. Added new Bidirectional Electrical Schematic image and parts list. | 5/10/2021 |
| E | All | Changed Brake Disc 164-24500 to 164-24501. Combined Nose Gear Assembly section with Main Gear Assembly section to form Landing Gear section. Relabeled Steering System section as Water Rudder & Steering System section. Updated image for Electrical Schematic - Bidirectional Pump DHC-2 Post Service Letter 214. Added 1011004 Assembly, Cup, Pumpout, Duckbill, 1011808 Retainer, Valve, Duckbill, Pumpout Plug, and 1011870 Valve, Duckbill. | 2/14/2022 |
| F | 113, 185, 187, 189 | Updated part description for 472439 and 473232 seals. Updated part numbers in Hydraulic System Schematic - Unidirectional Pump Post Service Letters 214 & 215. Updated part numbers in Hydraulic System Schematic - Bidirectional Pump DHC-2 Post Service Letters 214. Updated part numbers in Hydraulic System Schematic - Unidirectional Pump PC-6 Post Service Letters 214 & 215. | 8/10/2022 |

Please visit www.wipaire.com for the most current revision of this manual

THIS PAGE INTENTIONALLY LEFT BLANK

TABLE OF CONTENTS

| | |
|---|-----|
| SECTION 1 GENERAL..... | 7 |
| SECTION 2 HULL BULKHEAD ASSEMBLIES..... | 13 |
| SECTION 3 WHEEL WELL ASSEMBLY..... | 41 |
| SECTION 4 SKIN ASSEMBLY..... | 61 |
| SECTION 5 TOP DECK..... | 65 |
| SECTION 6 STRUTS, STEPS, & SPREADER BARS..... | 79 |
| SECTION 7 LANDING GEAR..... | 91 |
| SECTION 8 ADDITIONAL STRUCTURAL MEMBERS..... | 123 |
| SECTION 9 WATER RUDDER & STEERING SYSTEM..... | 129 |
| SECTION 10 HYDRAULIC AND BRAKE SYSTEM..... | 141 |
| SECTION 11 ELECTRICAL SYSTEM..... | 193 |
| SECTION 12 PUMP OUT SYSTEM..... | 201 |
| SECTION 13 BAGGAGE COMPARTMENT..... | 205 |
| SECTION 14 ADDITIONAL FLOAT COMPONENTS..... | 209 |

THIS PAGE INTENTIONALLY LEFT BLANK

SECTION 1 GENERAL

CONTENTS

| | |
|-------------------------------|---|
| INTRODUCTION | 8 |
| USING THIS PARTS MANUAL | 9 |

INTRODUCTION

Parts Sales:

Hours: 7:00 AM - 6:00 PM, Monday - Friday CST

Wipaire, Inc.

1700 Henry Avenue – Fleming Field

South St. Paul, MN 55075

Telephone: (651) 306-0459

Fax: (651)-306-0666

Website: www.wipaire.com

Email: customerservice@wipaire.com

Shipping Schedule:

In-stock orders received before 3 PM CST ship the same day. Orders received after this time may be assessed an Aircraft on Ground fee for special priority handling.

As we are primarily a manufacturer, our stocks can be rapidly depleted by production requirements. Therefore, prices and availability are subject to change at any time. It is our intent to provide courteous and prompt service of your needs. Please let us know of any problems or concerns so that changes in these procedures can be a benefit for all.

Parts Ordering

Purchase orders should include:

1. Purchase order number
2. Name of person placing order
3. Invoicing information:
 - a. Customer name - company or individual
 - i. Address
 - ii. Phone and fax number
4. Shipping information:
 - a. Address (if different from invoice address)
 - b. Method of shipment/preferred carrier
5. Aircraft model, float model, and serial numbers
6. Wipaire part number; name; type, e.g. left or right; quantity
7. Payment method: VISA, MasterCard, Collect on Delivery (U.S. customers only), pre-payment by check or wire transfer, open account (see Credit Policy)

Damaged Goods

Inspect all parts upon receipt. Damages to parts in transit must be filed as a claim against the carrier.

Returned Parts

Written explanation of reason for return must accompany parts, including invoice number of original shipment. Shipping charges on returned parts must be prepaid or the shipment will be refused.

Order Shortages

Check shipment against delivery slip immediately. All claims for any shortages should be made within 3 days after order receipt.

Credit Policy

Parts will be shipped on open account, net 30 days, to Wipaire-approved credit customers only. A balance due over 60 days will result in no shipments. Wipaire, Inc reserves the right to send any order Collect on Delivery.

USING THIS PARTS MANUAL

COVERAGE

This parts manual shows components below the top deck, the hydraulic handle in the aircraft, and the hydraulic pumps located in the aircraft. For struts and other components installed above the top deck, contact Wipaire or installation drawings included with a new modification.

NOMENCLATURE SYSTEM

This parts manual uses an alphanumeric system for identifying sub assemblies and sub components. The initial digit is the parent part in the assembly and the alphabetic letters after signify a sub assembly component. To order an entire assembly, order the part number associated with the first digit of the individual components.

However, if a sub assembly required more space than allowed in the initial figure, then the sub assembly will receive its own figure on a later page.

See image below and parts list on proceeding page for reference.

NOTE: Images shown in this section are for reference only and may not depict actual components specific to your product.

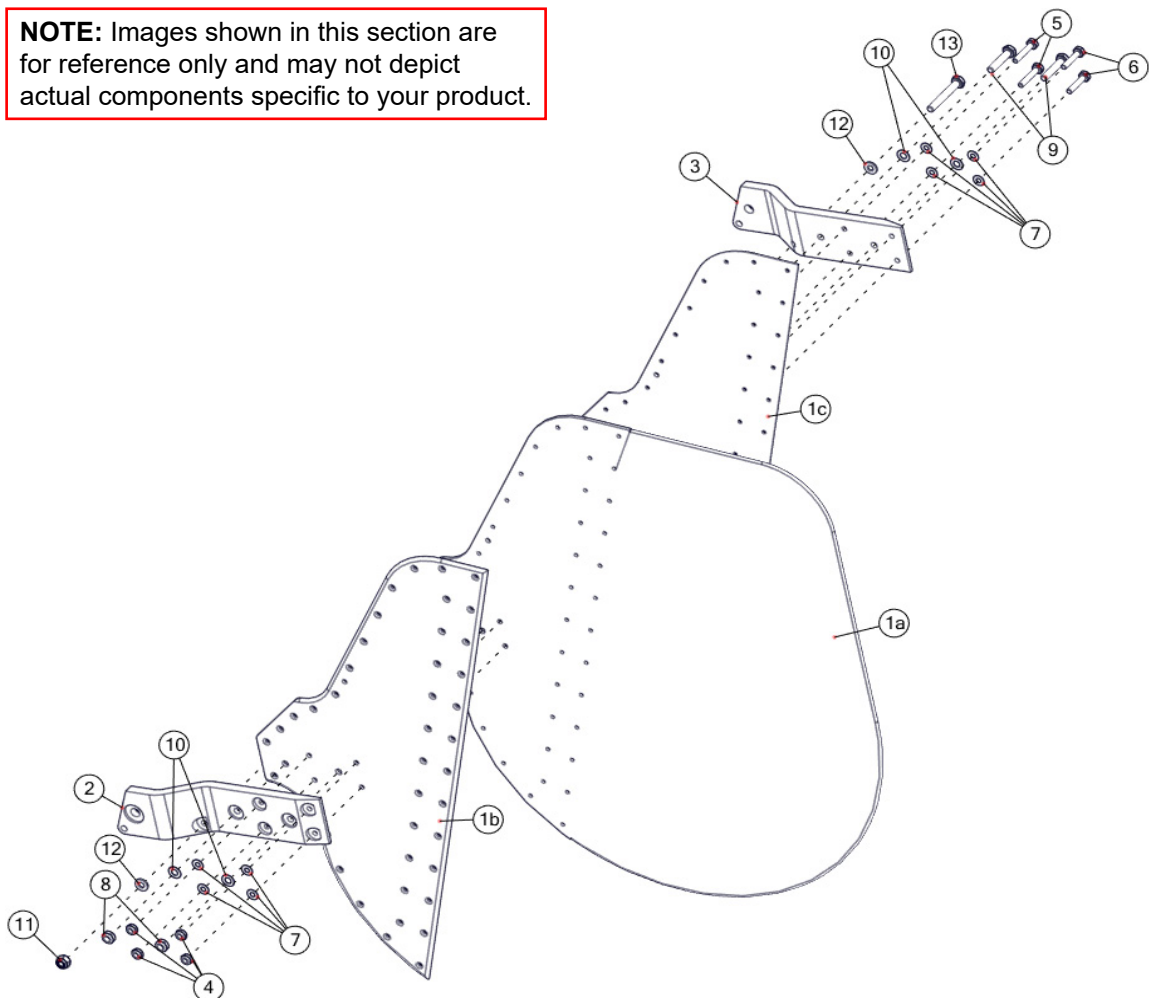


FIGURE 1-1: NOMENCLATURE SYSTEM IMAGE

Signifies Item is not sold individually.

For this example, the Sub Assembly Item 1 must be purchased, as all sub components are not sold separately.

Parent Assembly: Contains all shown in associated figure and all items in the associated parts list.

Sub Assembly: Item 1 not called out in figure, but are comprised of sub components 1a, 1b, and 1c. Order Item 1 to receive all items that begin with the digit 1.

Sub Components: Items 1a, 1b, and 1c are called out in figure. All sub components that share the same first digit are included in the Parent Assembly Item 1. Sub components can be ordered separately unless noted.

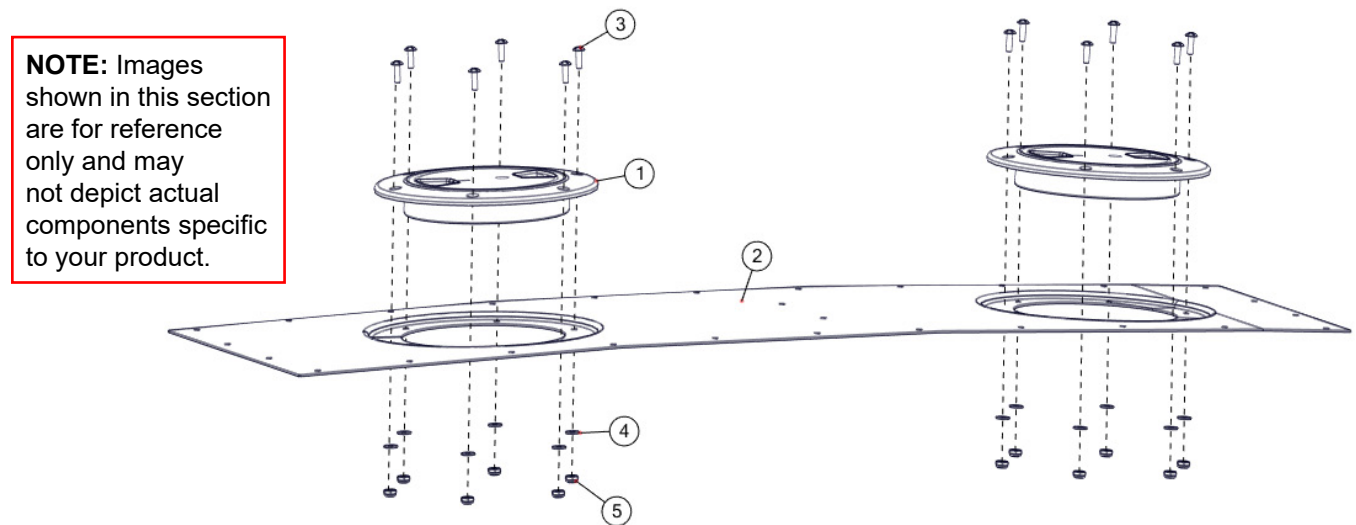
8A08000-079 WATER RUDDER ASSEMBLY

| ITEM | QTY | PART NO. | PART DESCRIPTION |
|------|-----|---------------|--|
| 1 | 1 | 8A08000-023 | WATER RUDDER BLADE ASSEMBLY WITH DOUBLERS |
| 1a | 1 | 8A08001-013 | WATER RUDDER BLADE (not sold separately) |
| 1b | 1 | 8A08001-029 | DOUBLER, WATER RUDDER BLADE, LEFT (not sold separately) |
| 1c | 1 | 8A08001-030 | DOUBLER, WATER RUDDER BLADE, RIGHT (not sold separately) |
| 2 | 1 | 8A08044-001 | ARM, WATER RUDDER, CONTROL, LEFT |
| 3 | 1 | 8A08044-002 | ARM, WATER RUDDER, CONTROL, RIGHT |
| 4 | 4 | NAS679-A3W | NUT |
| 5 | 2 | AN3-11A | BOLT |
| 6 | 2 | AN3-10A | BOLT |
| 7 | 8 | NAS1149D0316J | WASHER |
| 8 | 2 | NAS679-A4W | NUT |
| 9 | 2 | AN4-12A | BOLT |
| 10 | 4 | NAS1149D0416J | WASHER |
| 11 | 1 | MS21044N4 | NUT |
| 12 | 2 | NAS1149D0463J | WASHER |
| 13 | 1 | AN4-17A | BOLT |

FIGURE 1-2: NOMENCLATURE SYSTEM PARTS LIST

SIMILAR APPEARANCE PARTS

Items of the same part number that appear in the same vicinity in the figures will generally not be called out more than once unless needed for clarity. In the following image it is to be assumed that all screws shown are item number 3, all washers shown will be item 4, and all nuts shown will be item 5. Only if further clarity is needed, more or all parts will be given an item number.



DISTINGUISHING LEFT AND RIGHT

All references in this manual to LEFT and RIGHT are from the perspective of the pilot's seat facing forward with the floats fully installed and ready for floatplane operation.

If a components or assembly is specific to the left or right float only, the description will have "Left or Right Float" in the description.

If "left" or "right" only is in the description of a components, it is referring to the position of the components in reference to an assembly in the float.

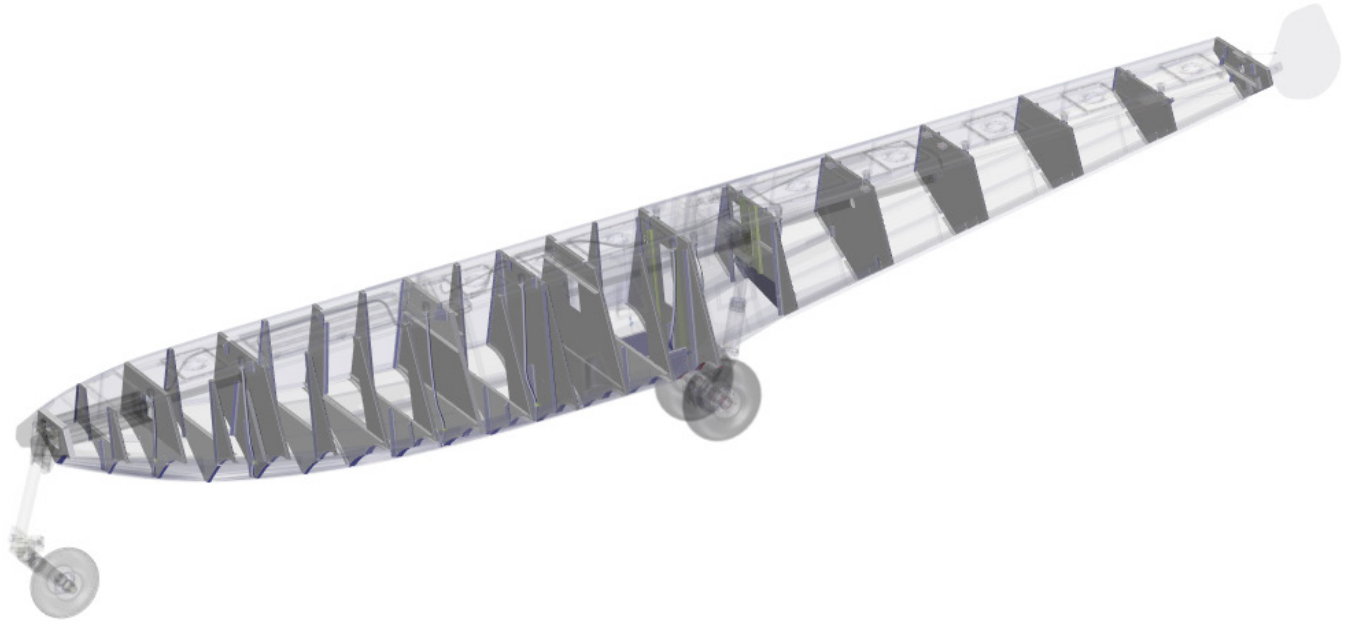
SHADED COMPONENTS

Shaded components that have a Bill of Material number attached to them are components that may be purchased and are shaded to show other components more clearly.

Shaded components that do not have a Bill of Material number attached to them are shown for positional reference only of the other components and are not listed in the table of that section.

THIS PAGE INTENTIONALLY LEFT BLANK

SECTION 2 HULL BULKHEAD ASSEMBLIES



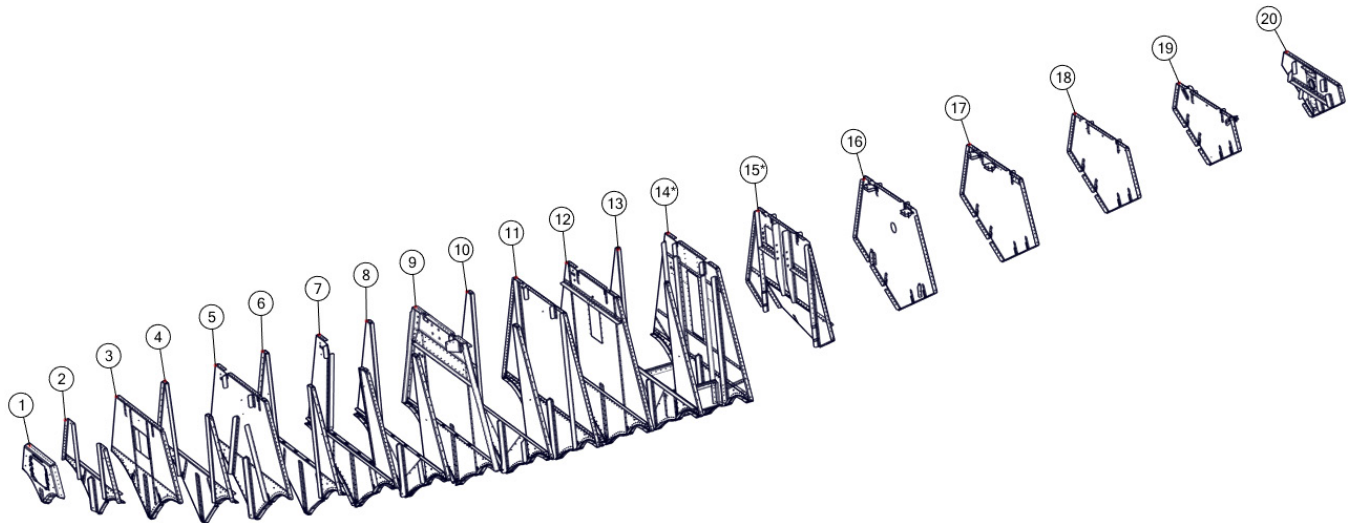
CONTENTS

| | |
|--|----|
| BULKHEAD ASSEMBLY, LEFT FLOAT | 15 |
| BULKHEAD ASSEMBLY, RIGHT FLOAT | 16 |
| 1007500 ASSEMBLY, BULKHEAD 1 | 17 |
| 1007501 ASSEMBLY, BULKHEAD 2 | 18 |
| 1007502 ASSEMBLY, BULKHEAD 3 | 19 |
| 1007503 ASSEMBLY, BULKHEAD 4 | 20 |
| 1007869 ASSEMBLY, BULKHEAD 5, LEFT FLOAT | 21 |
| 1007870 ASSEMBLY, BULKHEAD 5, RIGHT FLOAT | 22 |
| 1007505 ASSEMBLY, BULKHEAD 6 | 23 |
| 1007507 ASSEMBLY, BULKHEAD 7, LEFT FLOAT | 24 |
| 1007506 ASSEMBLY, BULKHEAD 7, RIGHT FLOAT | 25 |
| 1007508 ASSEMBLY, BULKHEAD 8 | 26 |
| 1007509 ASSEMBLY, BULKHEAD 9, LEFT FLOAT | 27 |
| 1007510 ASSEMBLY, BULKHEAD 9, RIGHT FLOAT | 28 |
| 1007511 ASSEMBLY, BULKHEAD 10 | 29 |
| 1007512 ASSEMBLY, BULKHEAD 11 | 30 |
| 1007513 ASSEMBLY, BULKHEAD 12 | 31 |
| 1007516 ASSEMBLY, BULKHEAD 13 | 32 |
| 1007517 ASSEMBLY, BULKHEAD 14 | 33 |
| 1007519 ASSEMBLY, BULKHEAD 15, LEFT FLOAT | 33 |
| 1007518 ASSEMBLY, BULKHEAD 15, RIGHT FLOAT | 33 |
| 1007521 ASSEMBLY, BULKHEAD 16, LEFT FLOAT | 34 |

CONTENTS CONTINUED

1007520 ASSEMBLY, BULKHEAD 16, RIGHT FLOAT35
1007523 ASSEMBLY, BULKHEAD 17, LEFT FLOAT36
1007522 ASSEMBLY, BULKHEAD 17, RIGHT FLOAT37
1007524 ASSEMBLY, BULKHEAD 1838
1007525 ASSEMBLY, BULKHEAD 1939
1007526 ASSEMBLY, BULKHEAD 2040

BULKHEAD ASSEMBLY, LEFT FLOAT

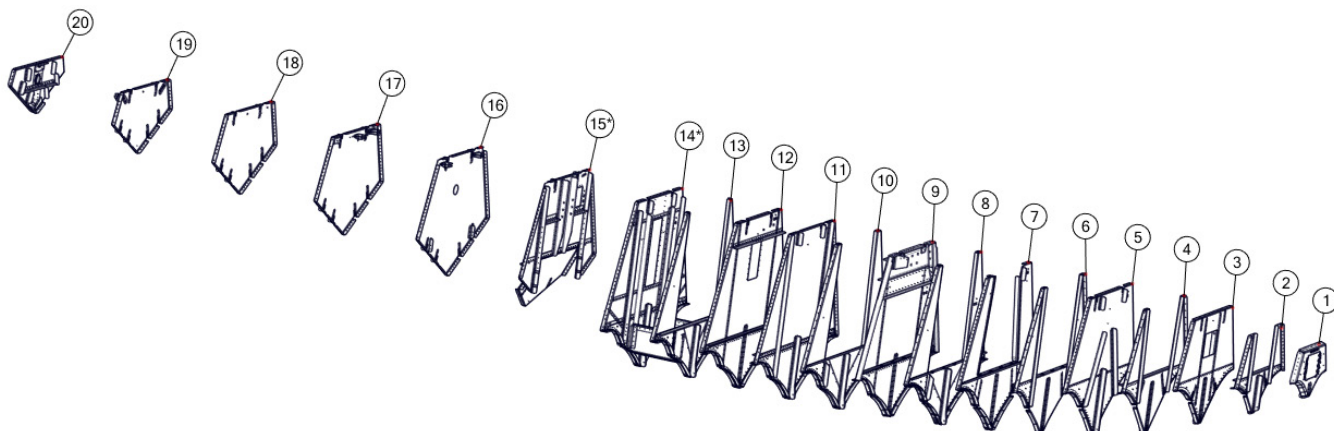


BULKHEAD ASSEMBLY, LEFT FLOAT

| ITEM | QTY | PART NO. | PART DESCRIPTION |
|------|-----|----------|-----------------------------------|
| 1 | 1 | 1007500 | ASSEMBLY, BULKHEAD 1 |
| 2 | 1 | 1007501 | ASSEMBLY, BULKHEAD 2 |
| 3 | 1 | 1007502 | ASSEMBLY, BULKHEAD 3 |
| 4 | 1 | 1007503 | ASSEMBLY, BULKHEAD 4 |
| 5 | 1 | 1007869 | ASSEMBLY, BULKHEAD 5, LEFT FLOAT |
| 6 | 1 | 1007505 | ASSEMBLY, BULKHEAD 6 |
| 7 | 1 | 1007507 | ASSEMBLY, BULKHEAD 7, LEFT FLOAT |
| 8 | 1 | 1007508 | ASSEMBLY, BULKHEAD 8 |
| 9 | 1 | 1007509 | ASSEMBLY, BULKHEAD 9, LEFT FLOAT |
| 10 | 1 | 1007511 | ASSEMBLY, BULKHEAD 10 |
| 11 | 1 | 1007512 | ASSEMBLY, BULKHEAD 11 |
| 12 | 1 | 1007513 | ASSEMBLY, BULKHEAD 12 |
| 13 | 1 | 1007516 | ASSEMBLY, BULKHEAD 13 |
| 14* | 1 | 1007517 | ASSEMBLY, BULKHEAD 14 |
| 15* | 1 | 1007519 | ASSEMBLY, BULKHEAD 15, LEFT FLOAT |
| 16 | 1 | 1007521 | ASSEMBLY, BULKHEAD 16, LEFT FLOAT |
| 17 | 1 | 1007523 | ASSEMBLY, BULKHEAD 17, LEFT FLOAT |
| 18 | 1 | 1007524 | ASSEMBLY, BULKHEAD 18 |
| 19 | 1 | 1007525 | ASSEMBLY, BULKHEAD 19 |
| 20 | 1 | 1007526 | ASSEMBLY, BULKHEAD 20 |

*Part of Wheel Well Assembly

BULKHEAD ASSEMBLY, RIGHT FLOAT

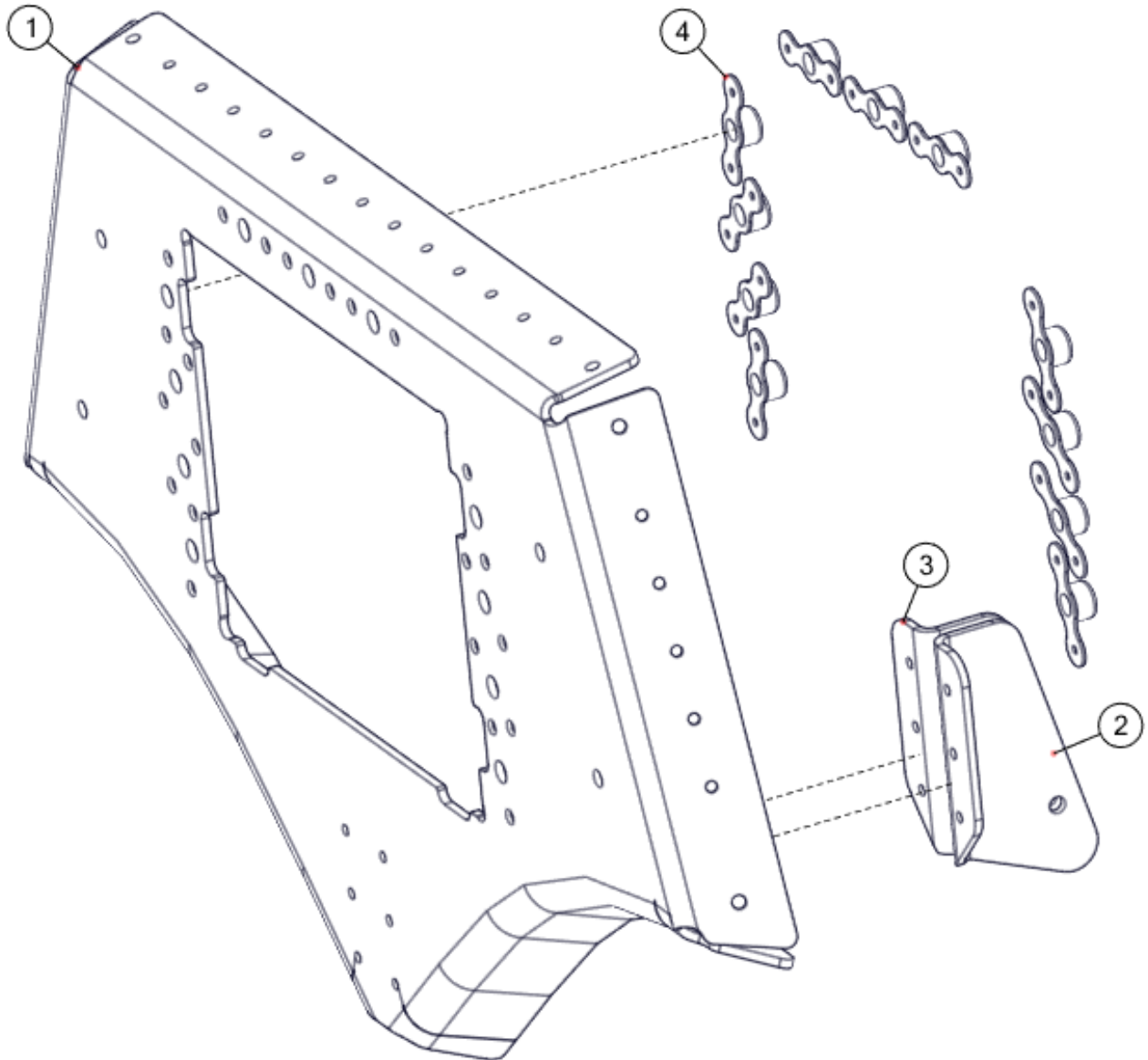


BULKHEAD ASSEMBLY, RIGHT FLOAT

| ITEM | QTY | PART NO. | PART DESCRIPTION |
|------|-----|----------|------------------------------------|
| 1 | 1 | 1007500 | ASSEMBLY, BULKHEAD 1 |
| 2 | 1 | 1007501 | ASSEMBLY, BULKHEAD 2 |
| 3 | 1 | 1007502 | ASSEMBLY, BULKHEAD 3 |
| 4 | 1 | 1007503 | ASSEMBLY, BULKHEAD 4 |
| 5 | 1 | 1007870 | ASSEMBLY, BULKHEAD 5, RIGHT FLOAT |
| 6 | 1 | 1007505 | ASSEMBLY, BULKHEAD 6 |
| 7 | 1 | 1007506 | ASSEMBLY, BULKHEAD 7, RIGHT FLOAT |
| 8 | 1 | 1007508 | ASSEMBLY, BULKHEAD 8 |
| 9 | 1 | 1007510 | ASSEMBLY, BULKHEAD 9, RIGHT FLOAT |
| 10 | 1 | 1007511 | ASSEMBLY, BULKHEAD 10 |
| 11 | 1 | 1007512 | ASSEMBLY, BULKHEAD 11 |
| 12 | 1 | 1007513 | ASSEMBLY, BULKHEAD 12 |
| 13 | 1 | 1007516 | ASSEMBLY, BULKHEAD 13 |
| 14* | 1 | 1007517 | ASSEMBLY, BULKHEAD 14 |
| 15* | 1 | 1007518 | ASSEMBLY, BULKHEAD 15, RIGHT FLOAT |
| 16 | 1 | 1007520 | ASSEMBLY, BULKHEAD 16, RIGHT FLOAT |
| 17 | 1 | 1007522 | ASSEMBLY, BULKHEAD 17, RIGHT FLOAT |
| 18 | 1 | 1007524 | ASSEMBLY, BULKHEAD 18 |
| 19 | 1 | 1007525 | ASSEMBLY, BULKHEAD 19 |
| 20 | 1 | 1007526 | ASSEMBLY, BULKHEAD 20 |

*Part of Wheel Well Assembly

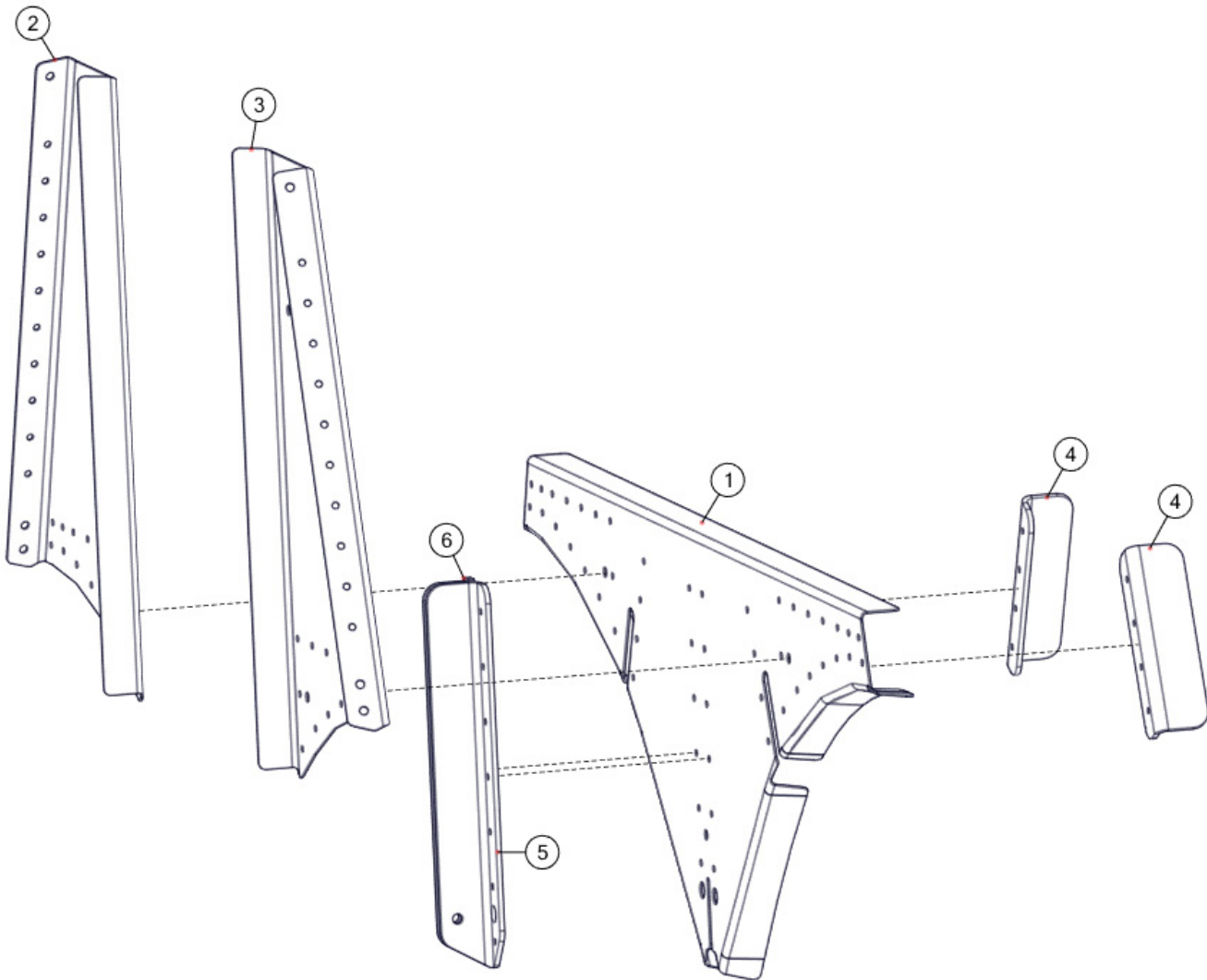
1007500 ASSEMBLY, BULKHEAD 1



1007500 ASSEMBLY, BULKHEAD 1

| ITEM | QTY | PART NO. | PART DESCRIPTION |
|------|-----|-----------|--|
| 1 | 1 | 1007566 | PANEL, BULKHEAD |
| 2 | 1 | 1007708 | ANGLE, ATTACH, MAIN KEEL, LEFT, BULKHEAD |
| 3 | 1 | 1007709 | ANGLE, ATTACH, MAIN KEEL, RIGHT BULKHEAD |
| 4 | 11 | MS21047L4 | NUT PLATE |

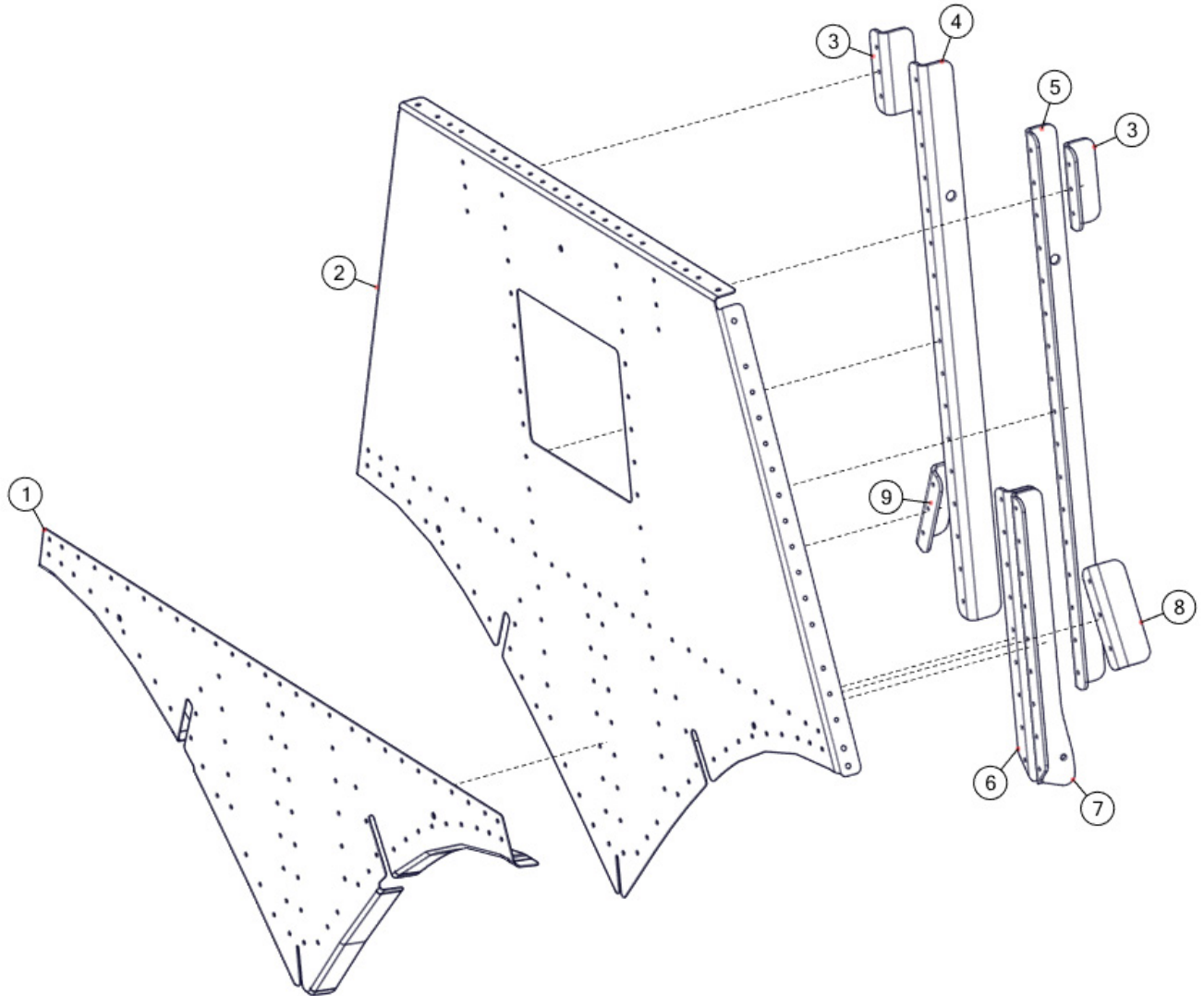
1007501 ASSEMBLY, BULKHEAD 2



1007501 ASSEMBLY, BULKHEAD 2

| ITEM | QTY | PART NO. | PART DESCRIPTION |
|------|-----|----------|---|
| 1 | 1 | 1007567 | PANEL, BOTTOM, BULKHEAD |
| 2 | 1 | 1007568 | PANEL, SIDE, RIGHT, BULKHEAD |
| 3 | 1 | 1007569 | PANEL, SIDE, LEFT, BULKHEAD |
| 4 | 2 | 1007696 | ANGLE, ATTACH, SISTER KEEL, BULKHEAD |
| 5 | 1 | 1007697 | ANGLE, ATTACH, MAIN KEEL, LEFT, BULKHEAD |
| 6 | 1 | 1007698 | ANGLE, ATTACH, MAIN KEEL, RIGHT, BULKHEAD |

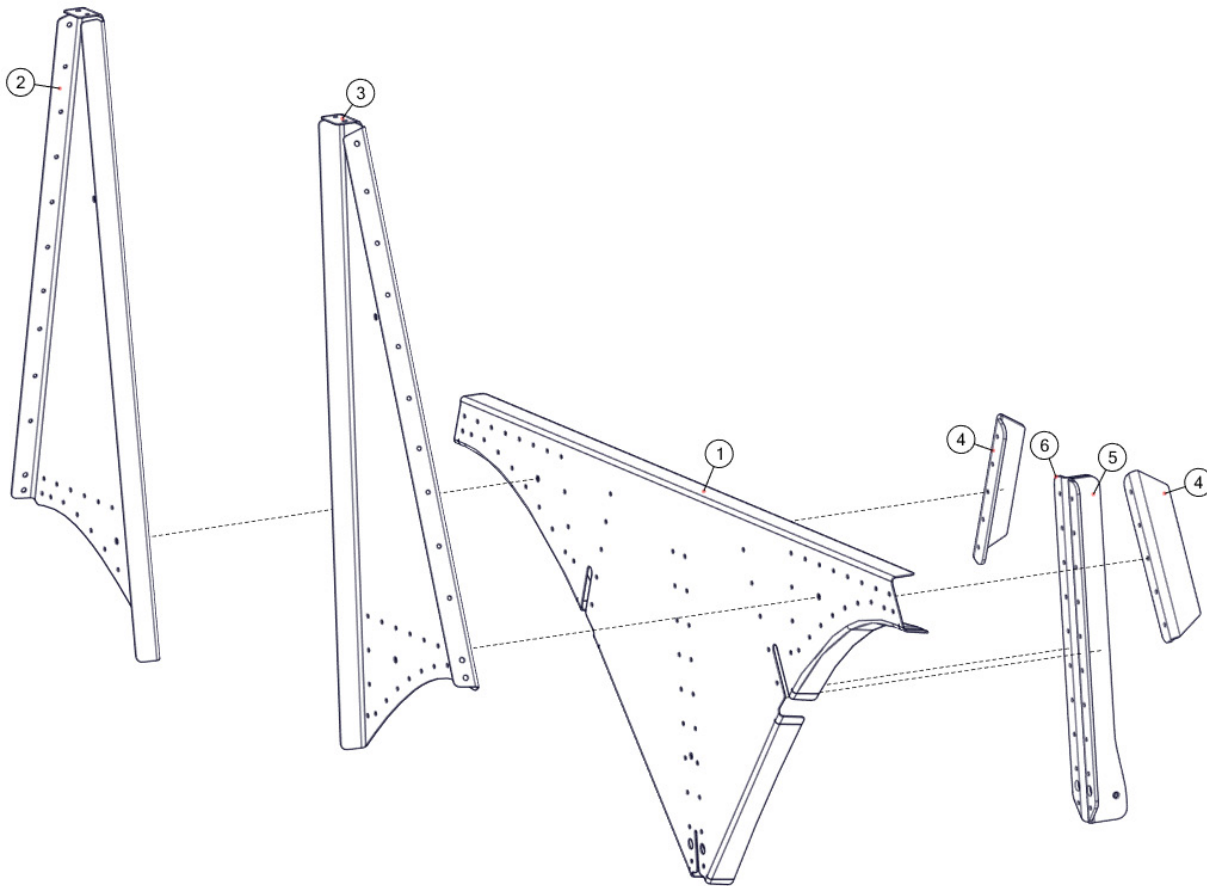
1007502 ASSEMBLY, BULKHEAD 3



1007502 ASSEMBLY, BULKHEAD 3

| ITEM | QTY | PART NO. | PART DESCRIPTION |
|------|-----|----------|---|
| 1 | 1 | 1007570 | PANEL, BOTTOM, BULKHEAD |
| 2 | 1 | 1007571 | PANEL, BULKHEAD |
| 3 | 2 | 1007679 | ANGLE, ATTACH, COMMON, BULKHEAD |
| 4 | 1 | 1007699 | ANGLE, ATTACH, NOSE BOX, RIGHT, BULKHEAD |
| 5 | 1 | 1007700 | ANGLE, ATTACH, NOSE BOX, LEFT, BULKHEAD |
| 6 | 1 | 1007701 | ANGLE, ATTACH, MAIN KEEL, RIGHT, BULKHEAD |
| 7 | 1 | 1007702 | ANGLE, ATTACH, MAIN KEEL, LEFT, BULKHEAD |
| 8 | 1 | 1007703 | ANGLE, ATTACH, SISTER KEEL, LEFT, BULKHEAD |
| 9 | 1 | 1007704 | ANGLE, ATTACH, SISTER KEEL, RIGHT, BULKHEAD |

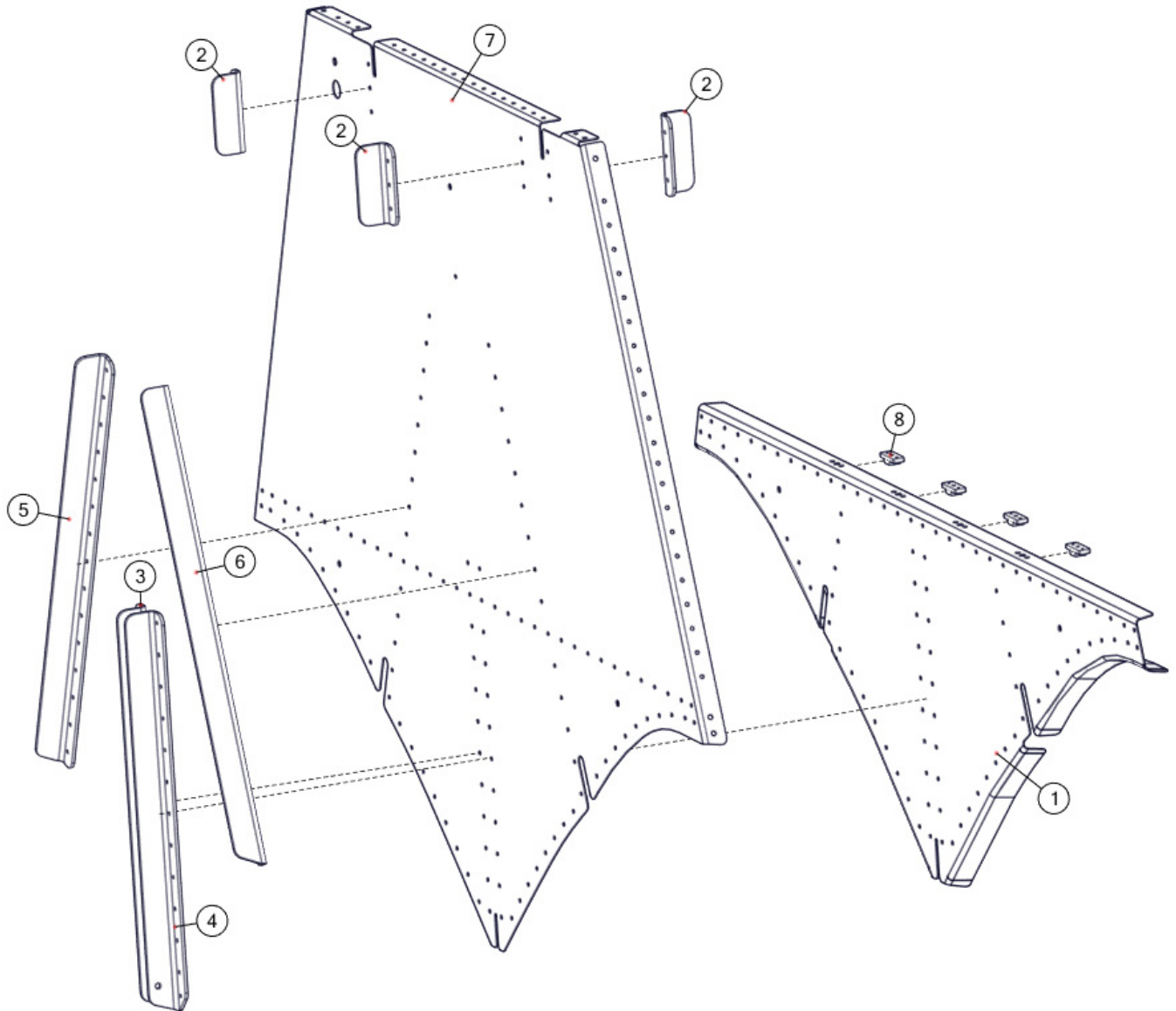
1007503 ASSEMBLY, BULKHEAD 4



1007503 ASSEMBLY, BULKHEAD 4

| ITEM | QTY | PART NO. | PART DESCRIPTION |
|------|-----|----------|---|
| 1 | 1 | 1007572 | PANEL, BOTTOM, BULKHEAD |
| 2 | 1 | 1007573 | PANEL, SIDE, LEFT, BULKHEAD |
| 3 | 1 | 1007574 | PANEL, SIDE, LEFT, BULKHEAD |
| 4 | 2 | 1007710 | ANGLE, ATTACH, SISTER KEEL, BULKHEAD |
| 5 | 1 | 1007711 | ANGLE, ATTACH, MAIN KEEL, LEFT, BULKHEAD |
| 6 | 1 | 1007712 | ANGLE, ATTACH, MAIN KEEL, RIGHT, BULKHEAD |

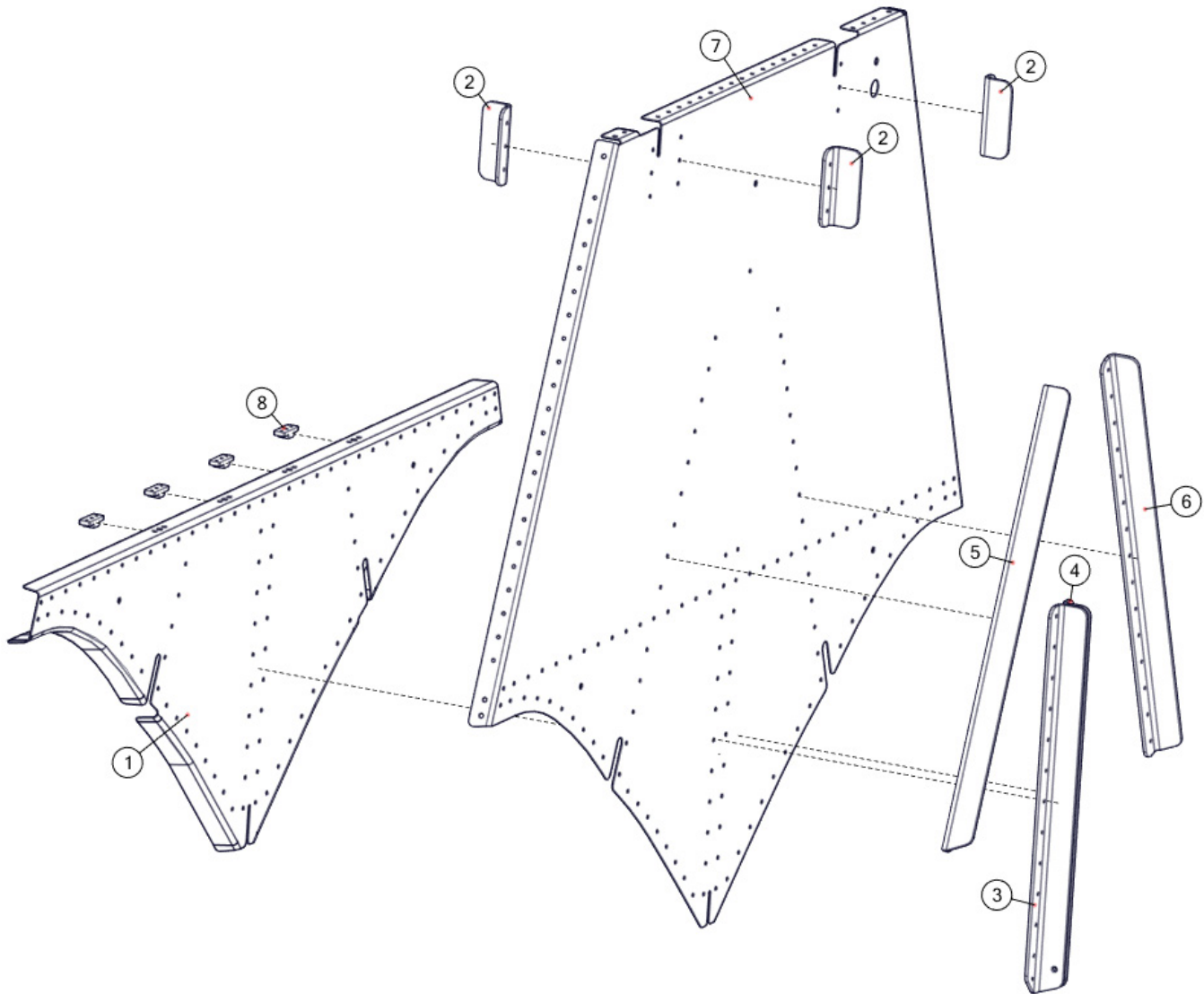
1007869 ASSEMBLY, BULKHEAD 5, LEFT FLOAT



1007869 ASSEMBLY, BULKHEAD 5, LEFT FLOAT

| ITEM | QTY | PART NO. | PART DESCRIPTION |
|------|-----|------------|---|
| 1 | 1 | 1007576 | PANEL, BOTTOM, BULKHEAD |
| 2 | 3 | 1007679 | ANGLE, ATTACH, COMMON, BULKHEAD |
| 3 | 1 | 1007738 | ANGLE, ATTACH, MAIN KEEL, LEFT, BULKHEAD |
| 4 | 1 | 1007739 | ANGLE, ATTACH, MAIN KEEL, RIGHT, BULKHEAD |
| 5 | 1 | 1007740 | ANGLE, ATTACH, SISTER KEEL, RIGHT, BULKHEAD |
| 6 | 1 | 1007741 | ANGLE, ATTACH, SISTER KEEL, LEFT, BULKHEAD |
| 7 | 1 | 1007871 | PANEL, BULKHEAD, LEFT |
| 8 | 4 | 1006420-01 | NUT PLATE |

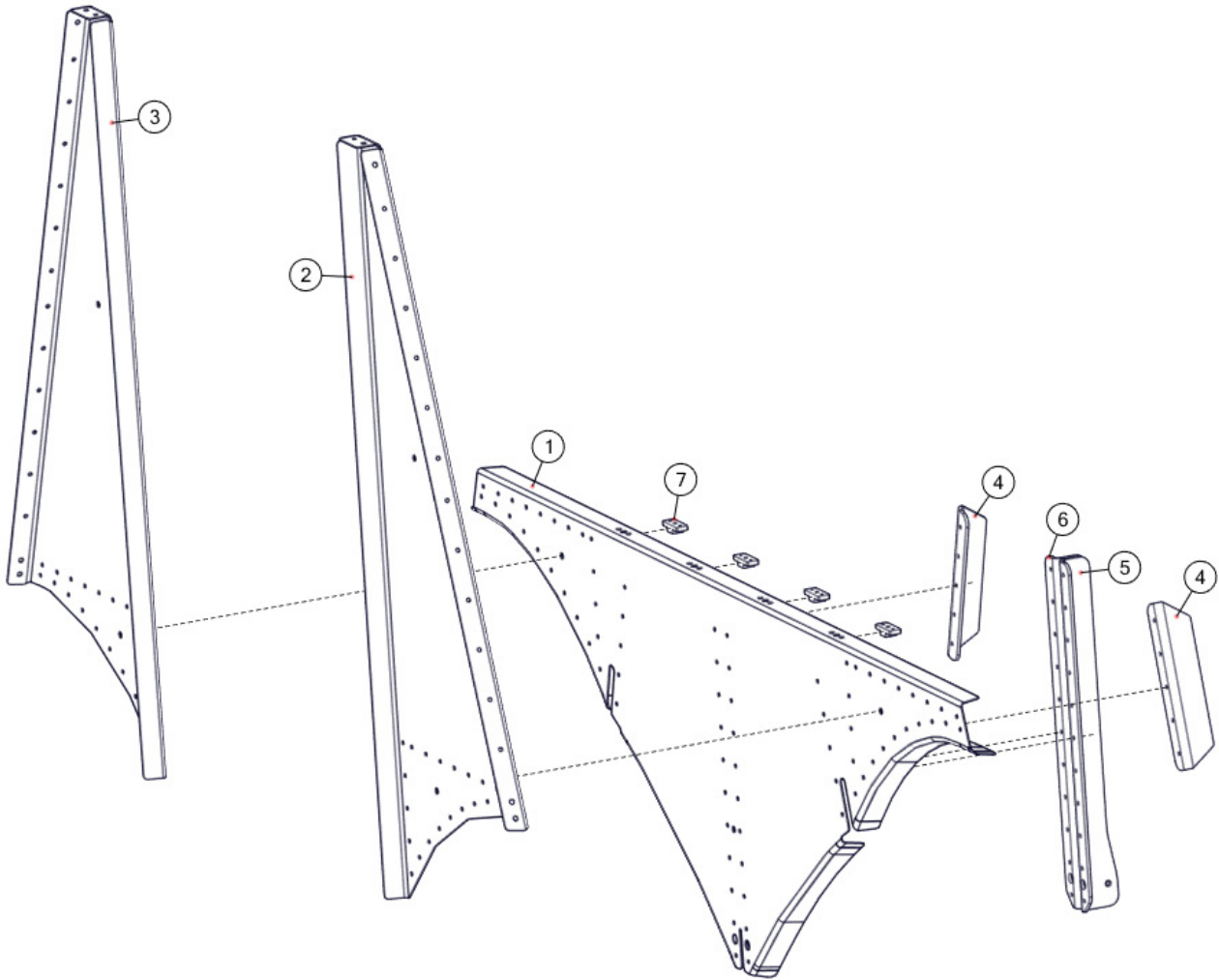
1007870 ASSEMBLY, BULKHEAD 5, RIGHT FLOAT



1007870 ASSEMBLY, BULKHEAD 5, RIGHT FLOAT

| ITEM | QTY | PART NO. | PART DESCRIPTION |
|------|-----|------------|---|
| 1 | 1 | 1007576 | PANEL, BOTTOM, BULKHEAD |
| 2 | 3 | 1007679 | ANGLE, ATTACH, COMMON, BULKHEAD |
| 3 | 1 | 1007738 | ANGLE, ATTACH, MAIN KEEL, LEFT, BULKHEAD |
| 4 | 1 | 1007739 | ANGLE, ATTACH, MAIN KEEL, RIGHT, BULKHEAD |
| 5 | 1 | 1007740 | ANGLE, ATTACH, SISTER KEEL, RIGHT, BULKHEAD |
| 6 | 1 | 1007741 | ANGLE, ATTACH, SISTER KEEL, LEFT, BULKHEAD |
| 7 | 1 | 1007871 | PANEL, BULKHEAD, LEFT |
| 8 | 4 | 1006420-01 | NUT PLATE |

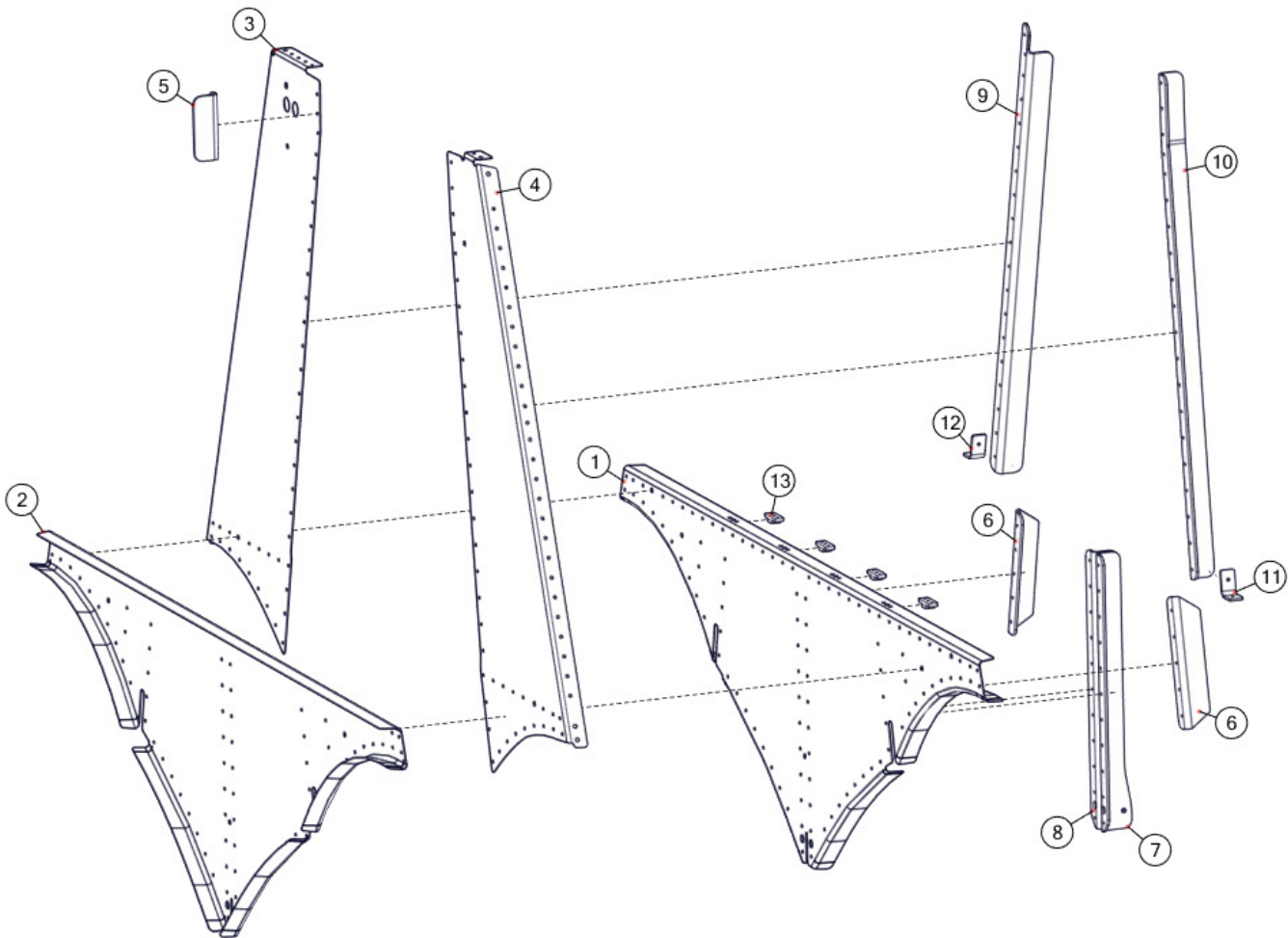
1007505 ASSEMBLY, BULKHEAD 6



1007505 ASSEMBLY, BULKHEAD 6

| ITEM | QTY | PART NO. | PART DESCRIPTION |
|------|-----|------------|---|
| 1 | 1 | 1007577 | PANEL, BOTTOM, BULKHEAD |
| 2 | 1 | 1007578 | PANEL, SIDE, LEFT, BULKHEAD |
| 3 | 1 | 1007579 | PANEL, SIDE, RIGHT, BULKHEAD |
| 4 | 2 | 1007710 | ANGLE, ATTACH, SISTER KEEL, BULKHEAD |
| 5 | 1 | 1007742 | ANGLE, ATTACH, MAIN KEEL, BULKHEAD |
| 6 | 1 | 1007743 | ANGLE, ATTACH, MAIN KEEL, RIGHT, BULKHEAD |
| 7 | 4 | 1006420-01 | NUT PLATE |

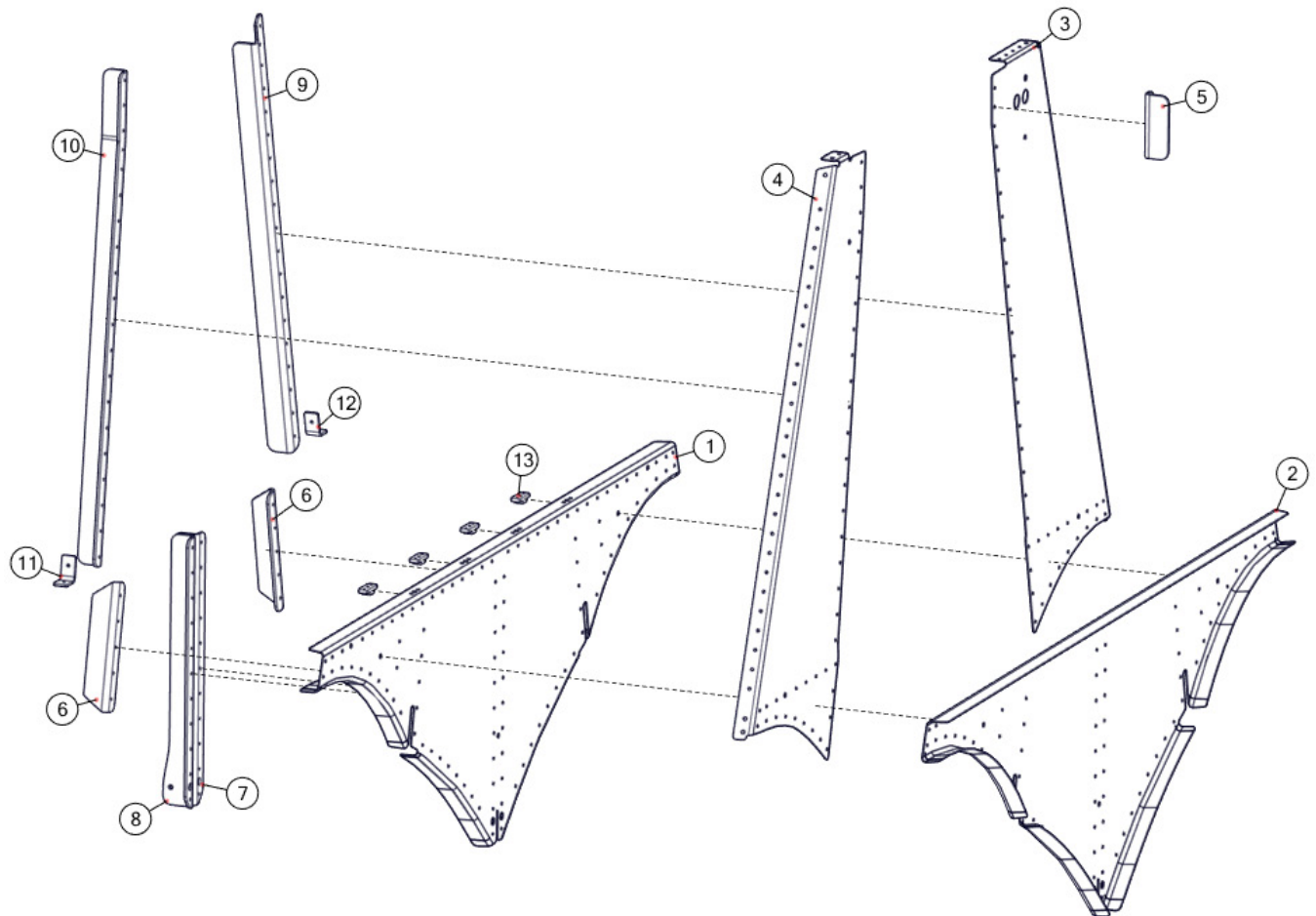
1007507 ASSEMBLY, BULKHEAD 7, LEFT FLOAT



1007507 ASSEMBLY, BULKHEAD 7, LEFT FLOAT

| ITEM | QTY | PART NO. | PART DESCRIPTION |
|------|-----|------------|---|
| 1 | 1 | 1007580 | PANEL, BOTTOM, AFT, BULKHEAD |
| 2 | 1 | 1007581 | PANEL, BOTTOM, FORWARD, BULKHEAD |
| 3 | 1 | 1007583 | PANEL, SIDE, INBOARD, BULKHEAD, LEFT FLOAT |
| 4 | 1 | 1007585 | PANEL, SIDE, OUTBOARD, BULKHEAD, LEFT FLOAT |
| 5 | 1 | 1007679 | ANGLE, ATTACH, COMMON, BULKHEAD |
| 6 | 2 | 1007710 | ANGLE, ATTACH, SISTER KEEL, BULKHEAD |
| 7 | 1 | 1007742 | ANGLE, ATTACH, MAIN KEEL, LEFT, BULKHEAD |
| 8 | 1 | 1007743 | ANGLE, ATTACH, MAIN KEEL, RIGHT, BULKHEAD |
| 9 | 1 | 1007749 | STIFFENER, SIDE PANEL, INBOARD, BULKHEAD, LEFT FLOAT |
| 10 | 1 | 1007751 | STIFFENER, SIDE PANEL, OUTBOARD, BULKHEAD, LEFT FLOAT |
| 11 | 1 | 1007753 | BRACKET, STIFFENER, SIDE PANEL, OUTBOARD, BULKHEAD |
| 12 | 1 | 1007754 | BRACKET, STIFFENER, SIDE PANEL, INBOARD, BULKHEAD |
| 13 | 4 | 1006420-01 | NUT PLATE |

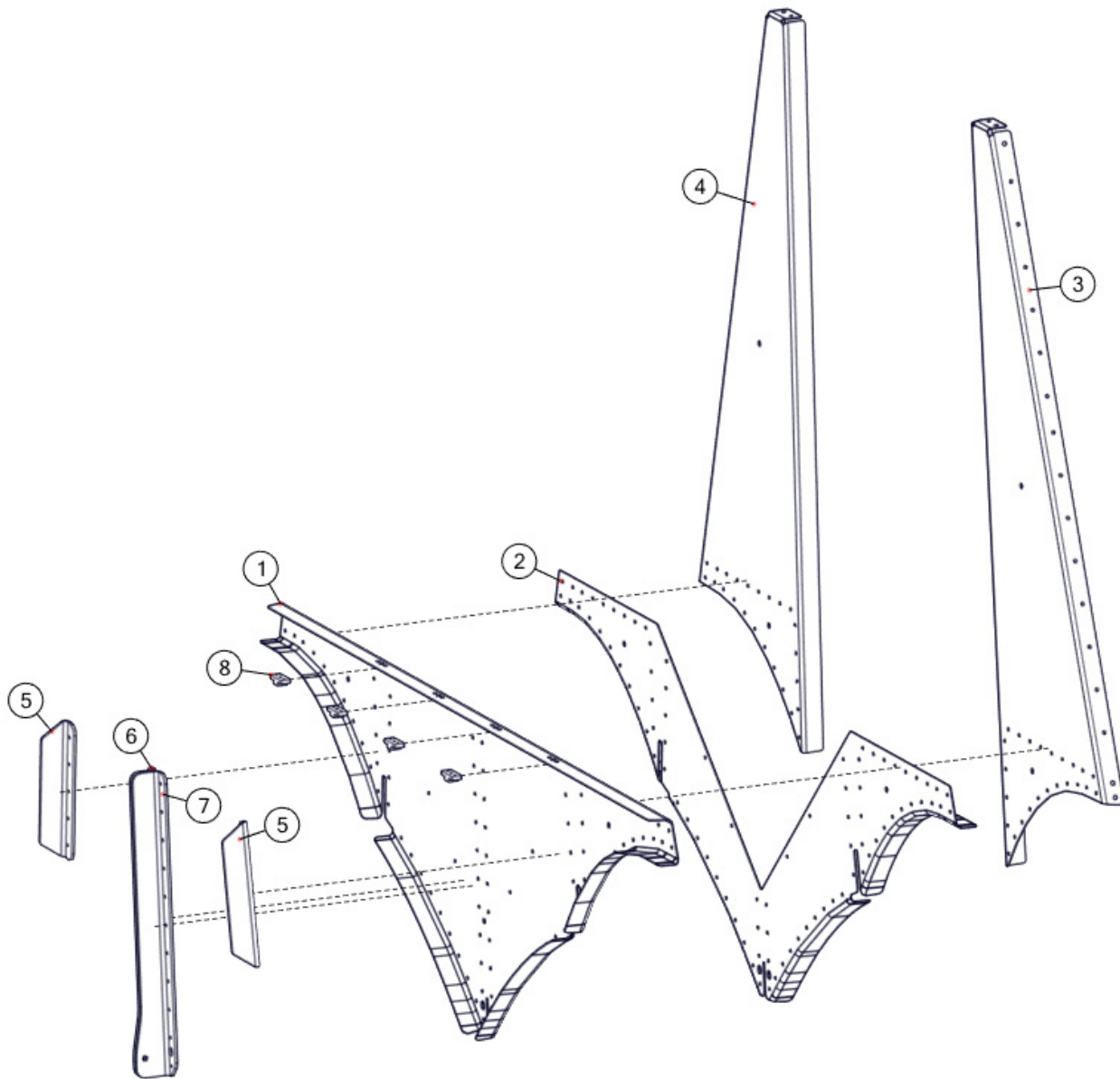
1007506 ASSEMBLY, BULKHEAD 7, RIGHT FLOAT



1007506 ASSEMBLY, BULKHEAD 7, RIGHT FLOAT

| ITEM | QTY | PART NO. | PART DESCRIPTION |
|------|-----|------------|--|
| 1 | 1 | 1007580 | PANEL, BOTTOM, AFT, BULKHEAD |
| 2 | 1 | 1007581 | PANEL, BOTTOM, FORWARD, BULKHEAD |
| 3 | 1 | 1007582 | PANEL, SIDE, INBOARD, BULKHEAD, RIGHT FLOAT |
| 4 | 1 | 1007584 | PANEL, SIDE, OUTBOARD, BULKHEAD, RIGHT FLOAT |
| 5 | 1 | 1007679 | ANGLE, ATTACH, COMMON, BULKHEAD |
| 6 | 2 | 1007710 | ANGLE, ATTACH, SISTER KEEL, BULKHEAD |
| 7 | 1 | 1007742 | ANGLE, ATTACH, MAIN KEEL, LEFT, BULKHEAD |
| 8 | 1 | 1007743 | ANGLE, ATTACH, MAIN KEEL, RIGHT, BULKHEAD |
| 9 | 1 | 1007750 | STIFFENER, SIDE PANEL, INBOARD, BULKHEAD, RIGHT FLOAT |
| 10 | 1 | 1007752 | STIFFENER, SIDE PANEL, OUTBOARD, BULKHEAD, RIGHT FLOAT |
| 11 | 1 | 1007753 | BRACKET, STIFFENER, SIDE PANEL, OUTBOARD, BULKHEAD |
| 12 | 1 | 1007754 | BRACKET, STIFFENER, SIDE PANEL, INBOARD, BULKHEAD |
| 13 | 4 | 1006420-01 | NUT PLATE |

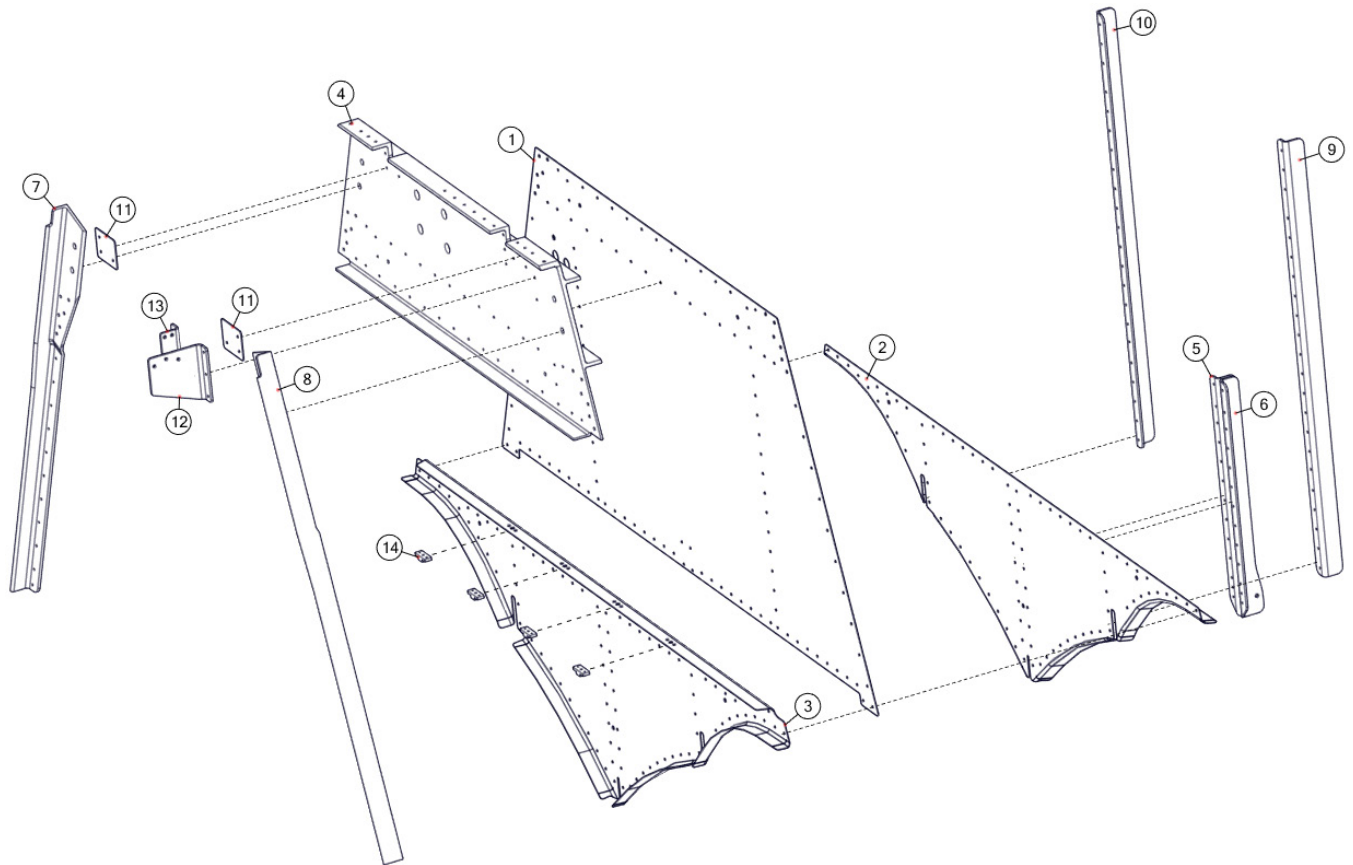
1007508 ASSEMBLY, BULKHEAD 8



1007508 ASSEMBLY, BULKHEAD 8

| ITEM | QTY | PART NO. | PART DESCRIPTION |
|------|-----|------------|--------------------------------------|
| 1 | 1 | 1007586 | PANEL, BOTTOM, FORWARD, BULKHEAD |
| 2 | 1 | 1007587 | PANEL, BOTTOM, AFT, BULKHEAD |
| 3 | 1 | 1007588 | PANEL, SIDE, LEFT, BULKHEAD |
| 4 | 1 | 1007589 | PANEL, SIDE, RIGHT, BULKHEAD |
| 5 | 2 | 1007710 | ANGLE, ATTACH, SISTER KEEL, BULKHEAD |
| 6 | 1 | 1007742 | ANGLE, ATTACH, MAIN KEEL, LEFT |
| 7 | 1 | 1007743 | ANGLE, ATTACH, MAIN KEEL, RIGHT |
| 8 | 4 | 1006420-01 | NUT PLATE |

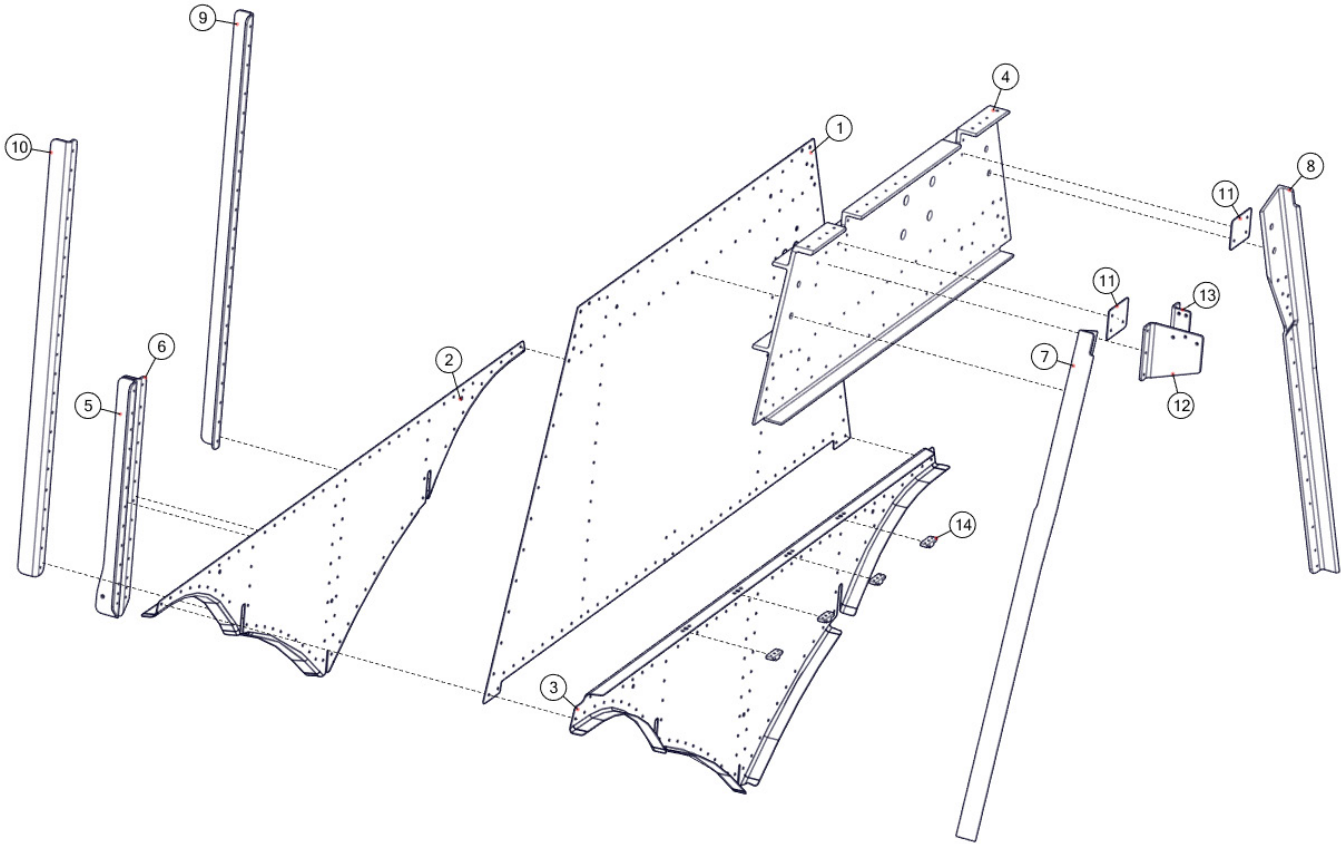
1007509 ASSEMBLY, BULKHEAD 9, LEFT FLOAT



1007509 ASSEMBLY, BULKHEAD 9, LEFT FLOAT

| ITEM | QTY | PART NO. | PART DESCRIPTION |
|------|-----|------------|---|
| 1 | 1 | 1007590 | PANEL, MAIN, BULKHEAD |
| 2 | 1 | 1007591 | PANEL, BOTTOM, AFT, BULKHEAD |
| 3 | 1 | 1007592 | PANEL, BOTTOM, FORWARD, BULKHEAD |
| 4 | 1 | 1007593 | PANEL, FORWARD SPREADER BAR, FRONT, LEFT FLOAT |
| 5 | 1 | 1007675 | ANGLE, ATTACH, MAIN KEEL, BULKHEAD |
| 6 | 1 | 1007676 | ANGLE, ATTACH, MAIN KEEL, BULKHEAD |
| 7 | 1 | 1007755 | ANGLE, ATTACH, SIDE SKIN, RIGHT, FORWARD SPREADER BAR FRONT PANEL |
| 8 | 1 | 1007756 | ANGLE, ATTACH, SIDE SKIN, LEFT, FORWARD SPREADER BAR FRONT PANEL |
| 9 | 1 | 1007757 | ANGLE, ATTACH, SISTER KEEL, RIGHT, BULKHEAD |
| 10 | 2 | 1007758 | ANGLE, ATTACH, SISTER KEEL, LEFT, BULKHEAD |
| 11 | 1 | 1007773 | COVER, SEALING, TOP RAIL, BULKHEAD |
| 12 | 1 | 1007859 | BRACKET, ATTACH, TOP RAIL, BULKHEAD, LEFT FLOAT |
| 13 | 4 | 1007873 | ANGLE, ATTACH, TOP RAIL, BULKHEAD, LEFT FLOAT |
| 14 | 4 | 1006420-01 | NUT PLATE |

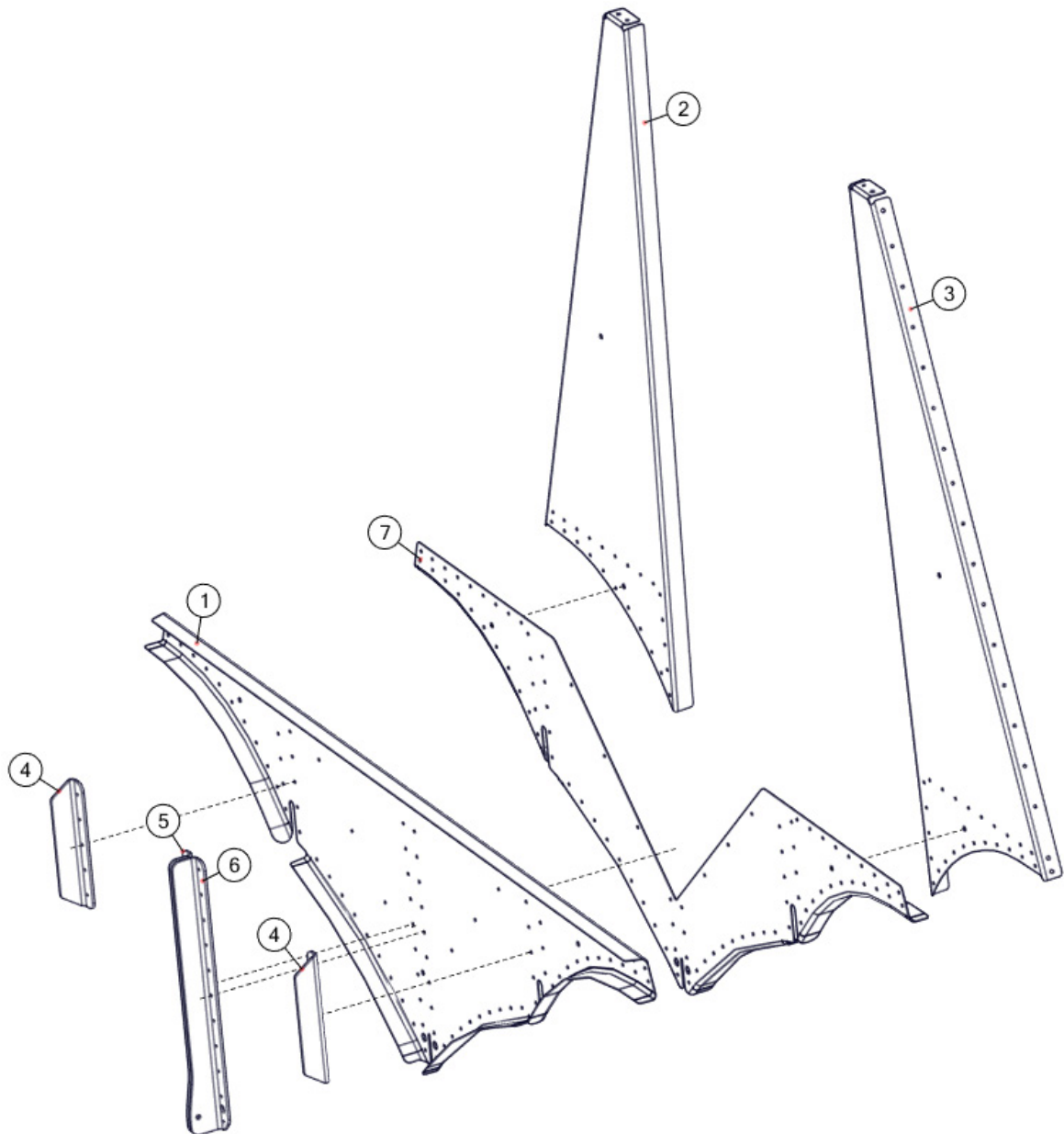
1007510 ASSEMBLY, BULKHEAD 9, RIGHT FLOAT



1007510 ASSEMBLY, BULKHEAD 9, RIGHT FLOAT

| ITEM | QTY | PART NO. | PART DESCRIPTION |
|------|-----|------------|---|
| 1 | 1 | 1007590 | PANEL, MAIN, BULKHEAD |
| 2 | 1 | 1007591 | PANEL, BOTTOM, AFT, BULKHEAD |
| 3 | 1 | 1007592 | PANEL, BOTTOM, FORWARD, BULKHEAD |
| 4 | 1 | 1007594 | PANEL, FORWARD SPREADER BAR, FRONT, RIGHT FLOAT |
| 5 | 1 | 1007675 | ANGLE, ATTACH, MAIN KEEL, BULKHEAD |
| 6 | 1 | 1007676 | ANGLE, ATTACH, MAIN KEEL, BULKHEAD |
| 7 | 1 | 1007755 | ANGLE, ATTACH, SIDE SKIN, RIGHT, FORWARD SPREADER BAR FRONT PANEL |
| 8 | 1 | 1007756 | ANGLE, ATTACH, SIDE SKIN, LEFT, FORWARD SPREADER BAR FRONT PANEL |
| 9 | 1 | 1007757 | ANGLE, ATTACH, SISTER KEEL, RIGHT, BULKHEAD |
| 10 | 2 | 1007758 | ANGLE, ATTACH, SISTER KEEL, LEFT, BULKHEAD |
| 11 | 1 | 1007773 | COVER, SEALING, TOP RAIL, BULKHEAD |
| 12 | 1 | 1007860 | BRACKET, ATTACH, TOP RAIL, BULKHEAD, RIGHT FLOAT |
| 13 | 4 | 1007874 | ANGLE, ATTACH, TOP RAIL, BULKHEAD, RIGHT FLOAT |
| 14 | 4 | 1006420-01 | NUT PLATE |

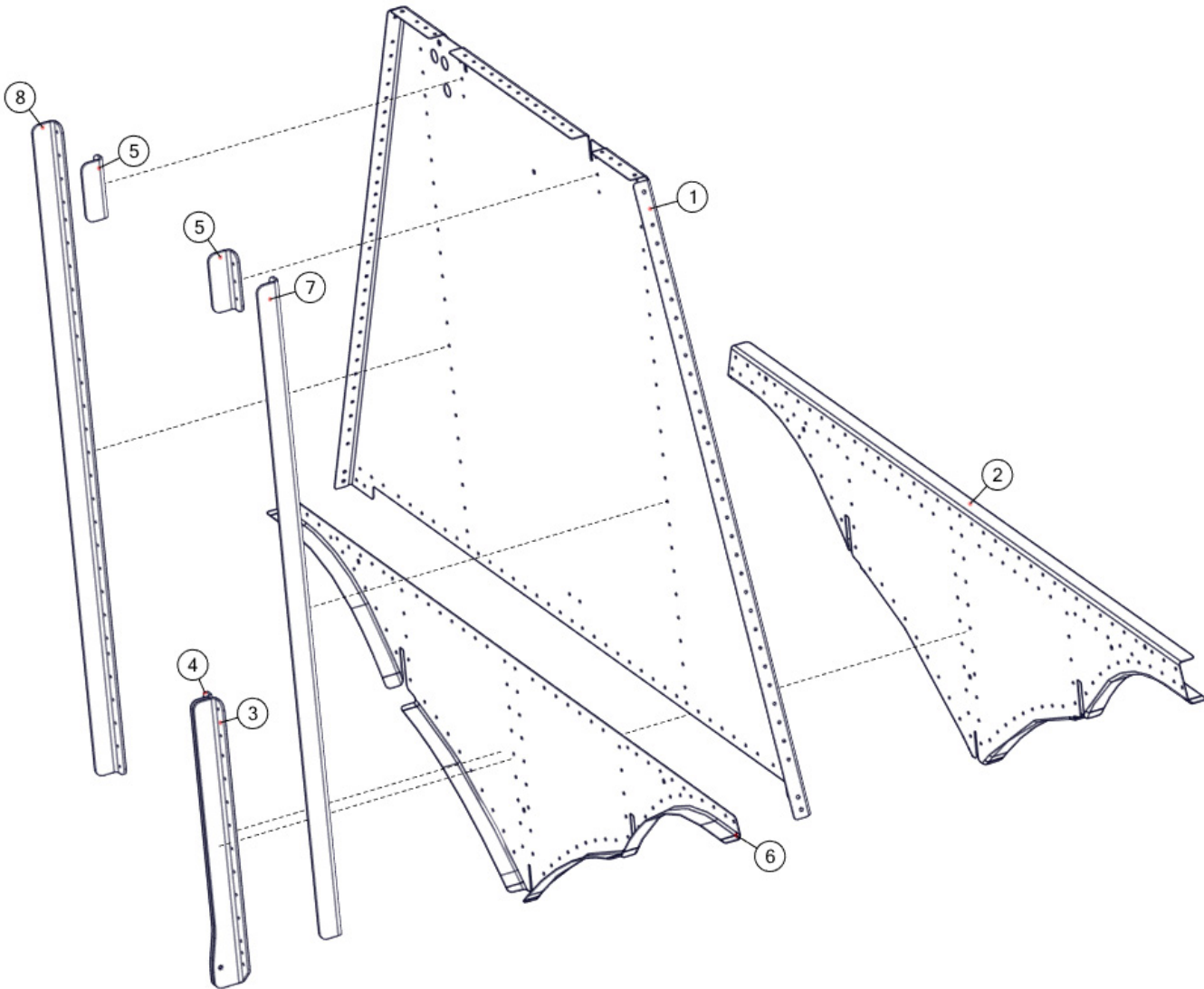
1007511 ASSEMBLY, BULKHEAD 10



1007511 ASSEMBLY, BULKHEAD 10

| ITEM | QTY | PART NO. | PART DESCRIPTION |
|------|-----|----------|--------------------------------------|
| 1 | 1 | 1007595 | PANEL, BOTTOM, FORWARD, BULKHEAD |
| 2 | 1 | 1007596 | PANEL, SIDE, RIGHT, BULKHEAD |
| 3 | 1 | 1007597 | PANEL, SIDE, LEFT, BULKHEAD |
| 4 | 2 | 1007710 | ANGLE, ATTACH, SISTER KEEL, BULKHEAD |
| 5 | 1 | 1007742 | ANGLE, ATTACH, MAIN KEEL, LEFT |
| 6 | 1 | 1007743 | ANGLE, ATTACH, MAIN KEEL, RIGHT |
| 7 | 1 | 1007760 | PANEL, BOTTOM, AFT, BULKHEAD |

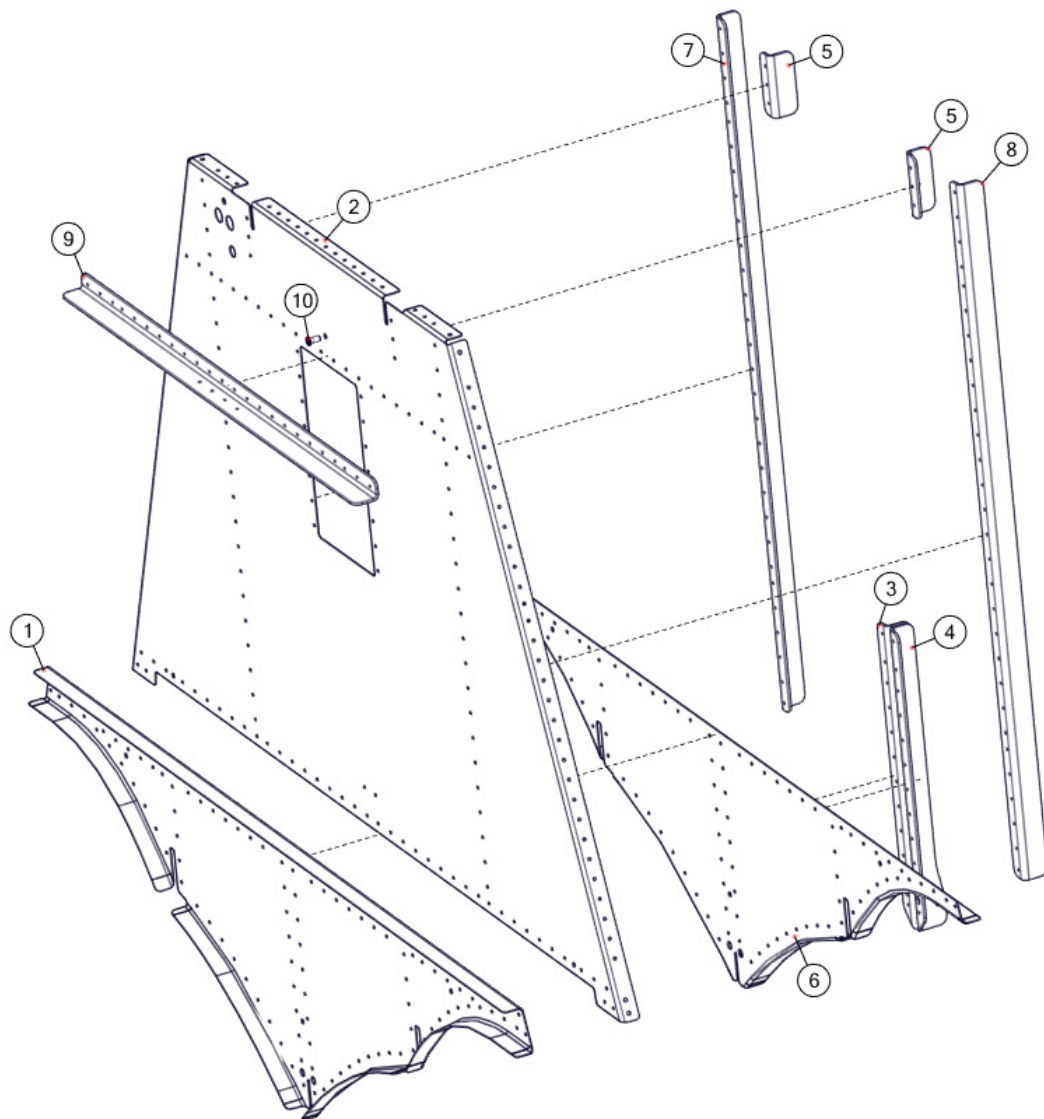
1007512 ASSEMBLY, BULKHEAD 11



1007512 ASSEMBLY, BULKHEAD 11

| ITEM | QTY | PART NO. | PART DESCRIPTION |
|------|-----|----------|---|
| 1 | 1 | 1007599 | PANEL, MAIN, BULKHEAD |
| 2 | 1 | 1007600 | PANEL, BOTTOM, BULKHEAD |
| 3 | 1 | 1007675 | ANGLE, ATTACH, MAIN KEEL, BULKHEAD |
| 4 | 1 | 1007676 | ANGLE, ATTACH, MAIN KEEL, BULKHEAD |
| 5 | 2 | 1007679 | ANGLE, ATTACH, COMMON, BULKHEAD |
| 6 | 1 | 1007731 | PANEL, BOTTOM, BULKHEAD |
| 7 | 1 | 1007732 | ANGLE, ATTACH, SISTER KEEL, LEFT, BULKHEAD |
| 8 | 1 | 1007733 | ANGLE, ATTACH, SISTER KEEL, RIGHT, BULKHEAD |

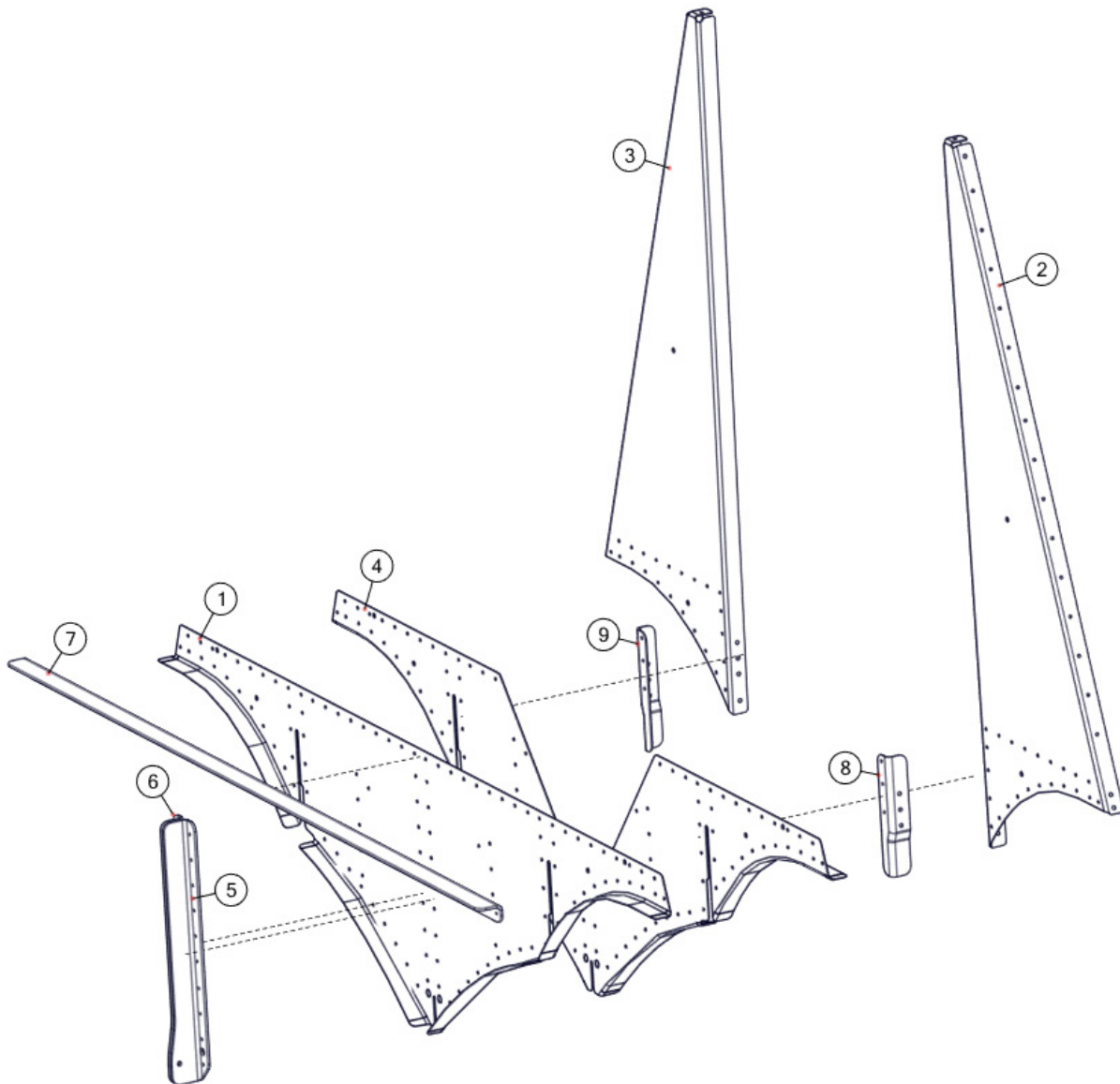
1007513 ASSEMBLY, BULKHEAD 12



1007513 ASSEMBLY, BULKHEAD 12

| ITEM | QTY | PART NO. | PART DESCRIPTION |
|------|-----|-----------|---|
| 1 | 1 | 1007600 | PANEL, BOTTOM, BULKHEAD |
| 2 | 1 | 1007601 | PANEL, MAIN, BULKHEAD |
| 3 | 1 | 1007675 | ANGLE, ATTACH, MAIN KEEL, BULKHEAD |
| 4 | 1 | 1007676 | ANGLE, ATTACH, MAIN KEEL, BULKHEAD |
| 5 | 2 | 1007679 | ANGLE, ATTACH, COMMON, BULKHEAD |
| 6 | 1 | 1007731 | PANEL, BOTTOM, BULKHEAD |
| 7 | 1 | 1007732 | ANGLE, ATTACH, SISTER KEEL, LEFT, BULKHEAD |
| 8 | 1 | 1007733 | ANGLE, ATTACH, SISTER KEEL, RIGHT, BULKHEAD |
| 9 | 1 | 1007734 | STIFFENER, HORIZONTAL, BULKHEAD |
| 10 | 1 | MS27130A7 | RIVNUT |

1007516 ASSEMBLY, BULKHEAD 13



1007516 ASSEMBLY, BULKHEAD 13

| ITEM | QTY | PART NO. | PART DESCRIPTION |
|------|-----|----------|---|
| 1 | 1 | 1007602 | PANEL, BOTTOM, FORWARD, BULKHEAD |
| 2 | 1 | 1007603 | PANEL, SIDE, LEFT, BULKHEAD |
| 3 | 1 | 1007604 | PANEL, SIDE, RIGHT, BULKHEAD |
| 4 | 1 | 1007631 | PANEL, BOTTOM, AFT, BULKHEAD |
| 5 | 1 | 1007722 | ANGLE, ATTACH, LEFT, MAIN KEEL |
| 6 | 1 | 1007723 | ANGLE, ATTACH, RIGHT, MAIN KEEL, BULKHEAD |
| 7 | 1 | 1007724 | STIFFENER, HORIZONTAL, BULKHEAD |
| 8 | 1 | 1007729 | ANGLE, ATTACH, LEFT, SISTER KEEL, BULKHEAD |
| 9 | 1 | 1007730 | ANGLE, ATTACH, RIGHT, SISTER KEEL, BULKHEAD |

1007517 ASSEMBLY, BULKHEAD 14

See [Section 3 Wheel Well Assembly](#)

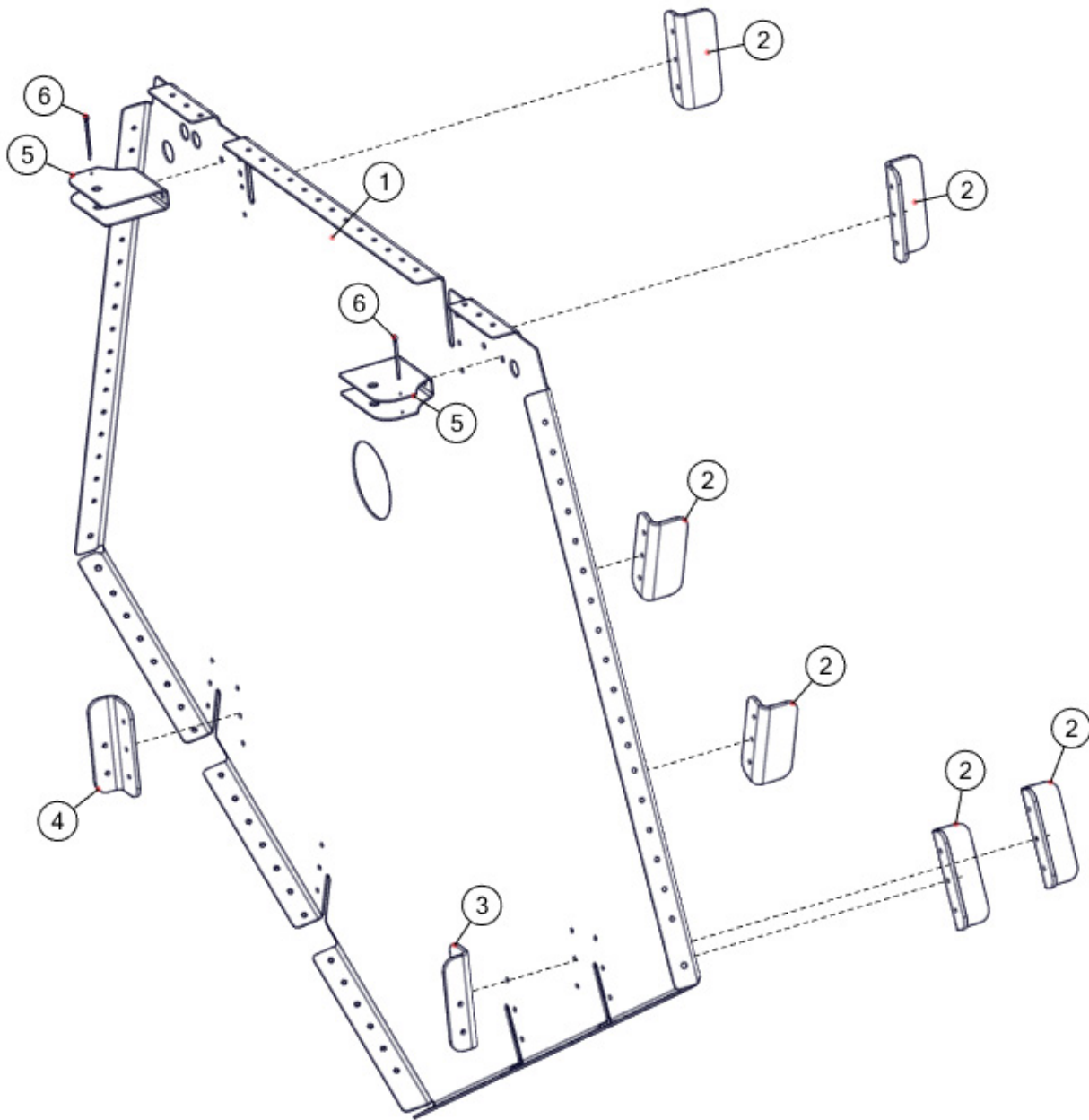
1007519 ASSEMBLY, BULKHEAD 15, LEFT FLOAT

See [Section 3 Wheel Well Assembly](#)

1007518 ASSEMBLY, BULKHEAD 15, RIGHT FLOAT

See [Section 3 Wheel Well Assembly](#)

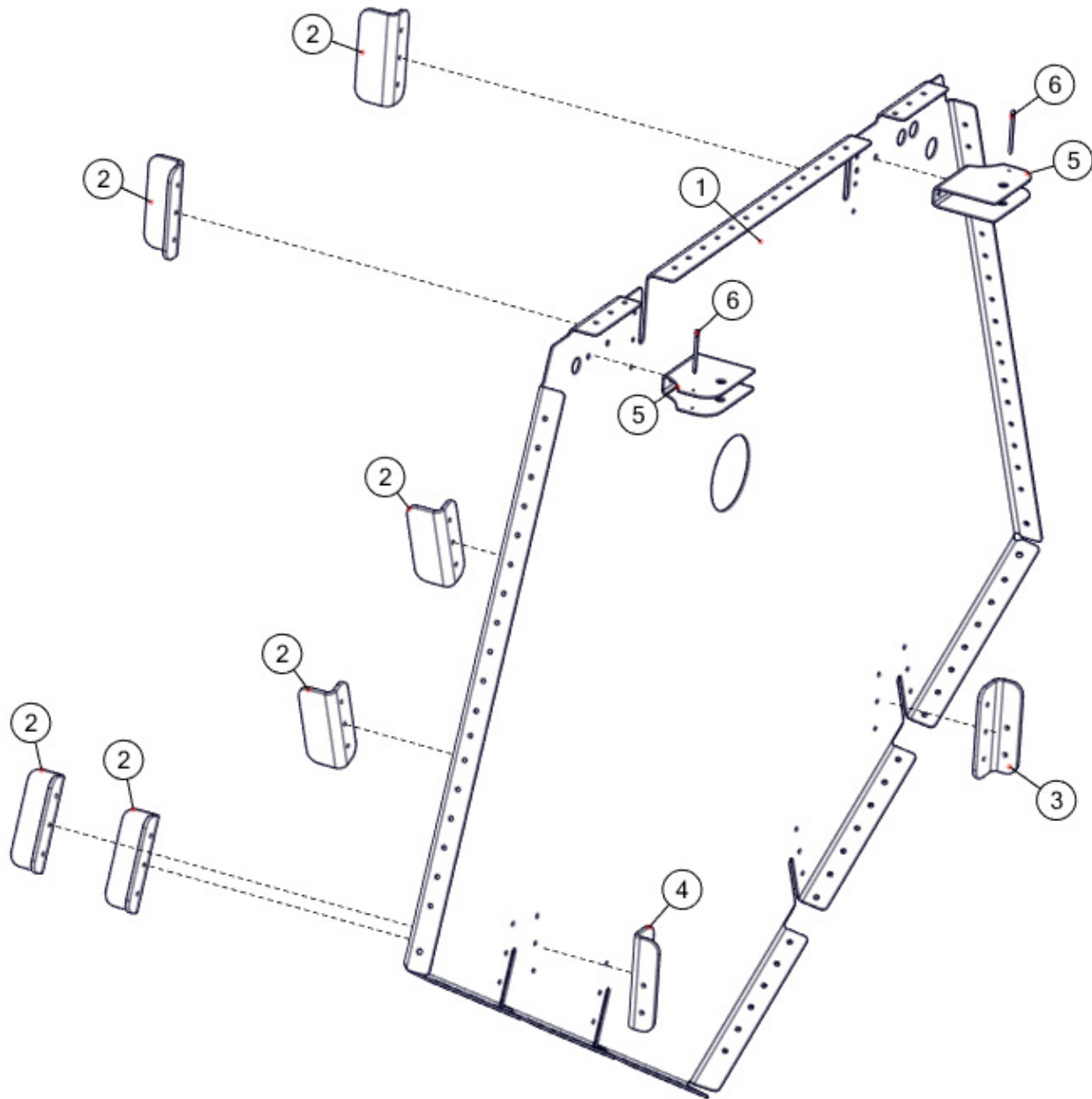
1007521 ASSEMBLY, BULKHEAD 16, LEFT FLOAT



1007521 ASSEMBLY, BULKHEAD 16, LEFT FLOAT

| ITEM | QTY | PART NO. | PART DESCRIPTION |
|------|-----|-------------|---|
| 1 | 1 | 1007611 | PANEL, BULKHEAD, LEFT FLOAT |
| 2 | 6 | 1007679 | ANGLE, ATTACH, COMMON, BULKHEAD |
| 3 | 1 | 1007801 | ANGLE, ATTACH, CARRY THROUGH, LEFT, BULKHEAD |
| 4 | 1 | 1007802 | ANGLE, ATTACH, CARRY THROUGH, RIGHT, BULKHEAD |
| 5 | 2 | 3A01151-010 | PULLEY BRACKET |
| 6 | 2 | MS24665-136 | COTTER PIN |

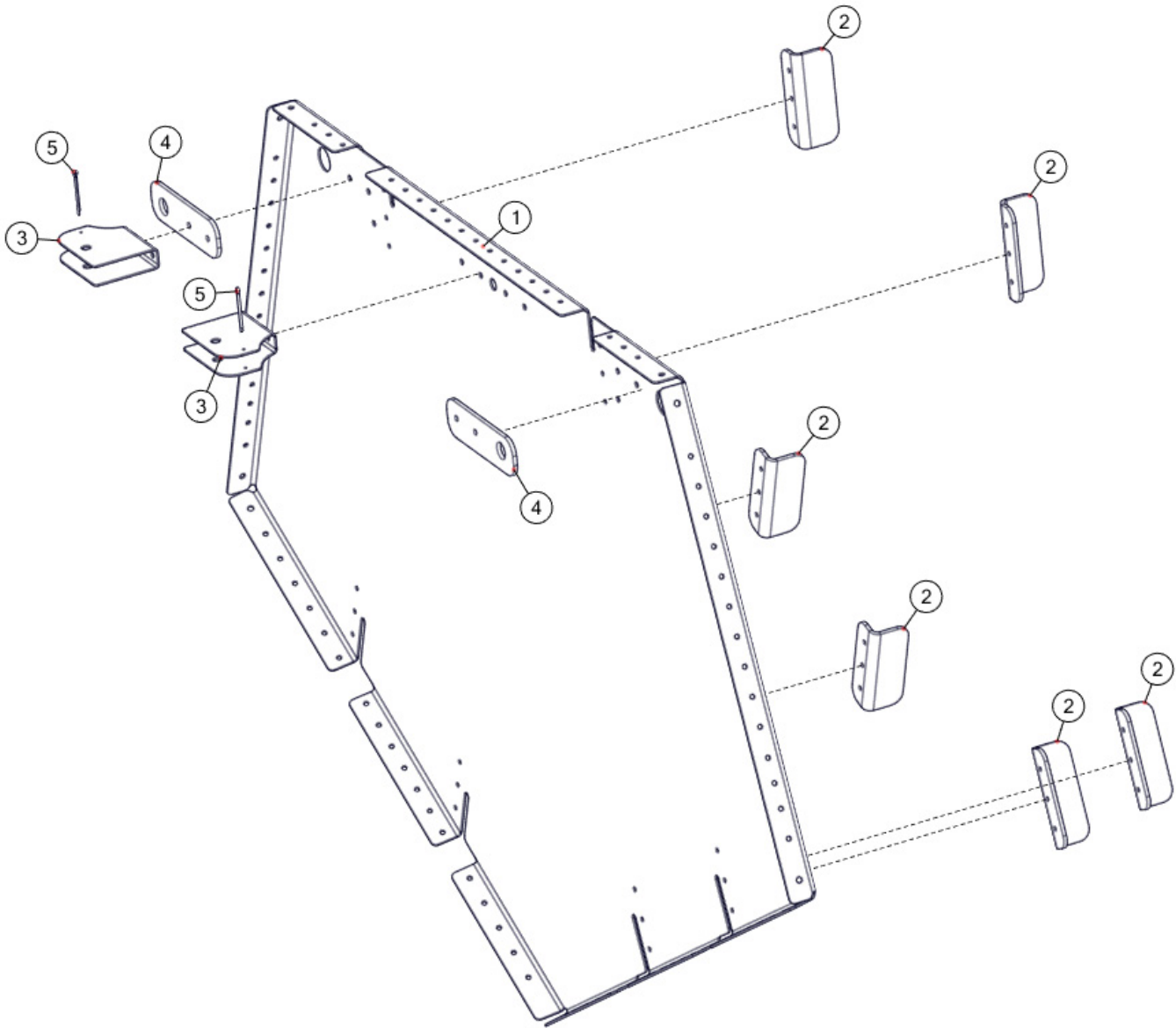
1007520 ASSEMBLY, BULKHEAD 16, RIGHT FLOAT



1007520 ASSEMBLY, BULKHEAD 16, RIGHT FLOAT

| ITEM | QTY | PART NO. | PART DESCRIPTION |
|------|-----|-------------|---|
| 1 | 1 | 1007610 | PANEL, BULKHEAD, RIGHT FLOAT |
| 2 | 6 | 1007679 | ANGLE, ATTACH, COMMON, BULKHEAD |
| 3 | 1 | 1007801 | ANGLE, ATTACH, CARRY THROUGH, LEFT, BULKHEAD |
| 4 | 1 | 1007802 | ANGLE, ATTACH, CARRY THROUGH, RIGHT, BULKHEAD |
| 5 | 2 | 3A01151-010 | PULLEY BRACKET |
| 6 | 2 | MS24665-136 | COTTER PIN |

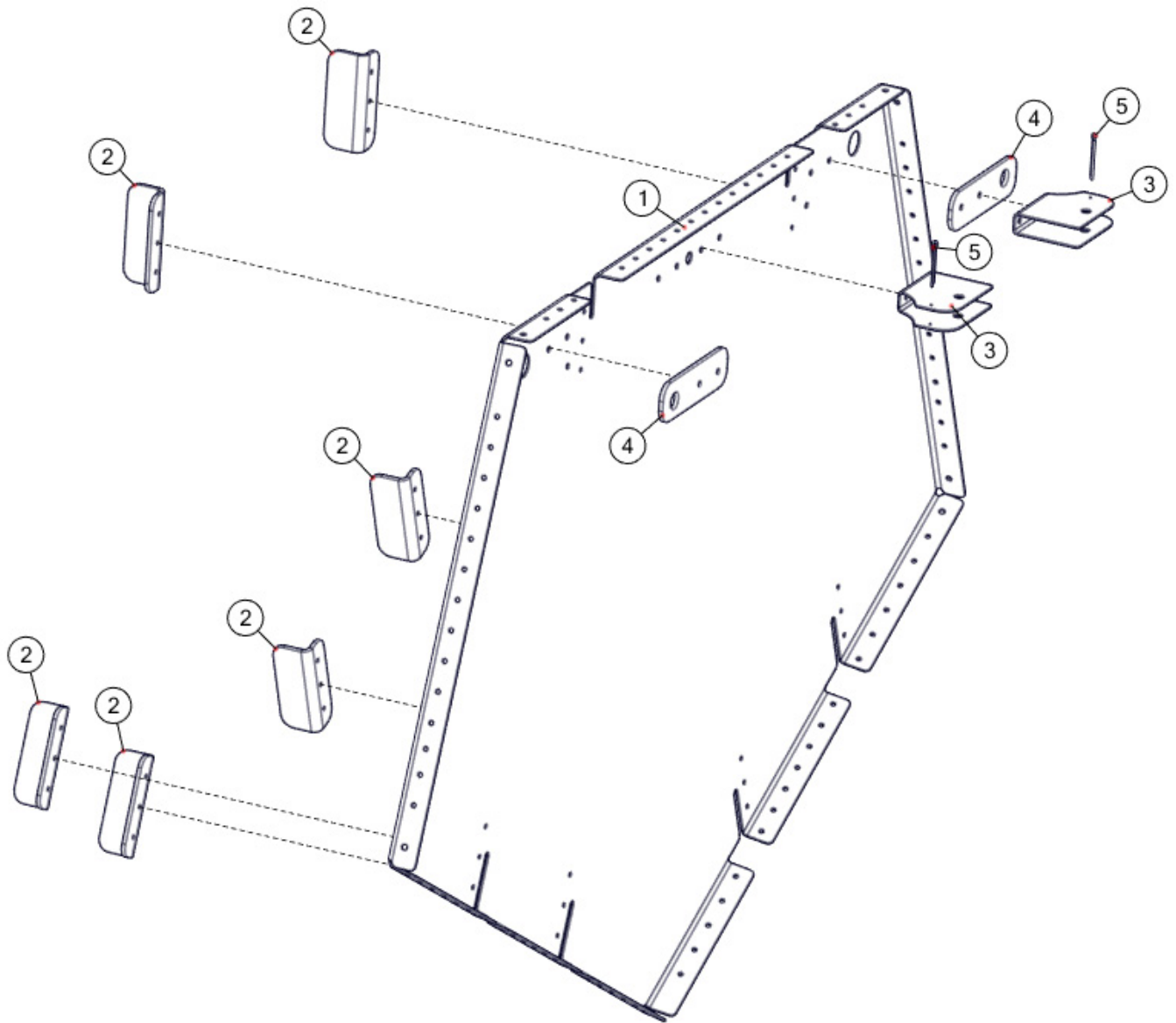
1007523 ASSEMBLY, BULKHEAD 17, LEFT FLOAT



1007523 ASSEMBLY, BULKHEAD 17, LEFT FLOAT

| ITEM | QTY | PART NO. | PART DESCRIPTION |
|------|-----|-------------|---------------------------------|
| 1 | 1 | 1007612 | PANEL, BULKHEAD |
| 2 | 6 | 1007679 | ANGLE, ATTACH, COMMON, BULKHEAD |
| 3 | 2 | 3A01151-010 | PULLEY BRACKET |
| 4 | 2 | 6A01156-069 | DOUBLER, BULKHEAD |
| 5 | 2 | MS24665-136 | COTTER PIN |

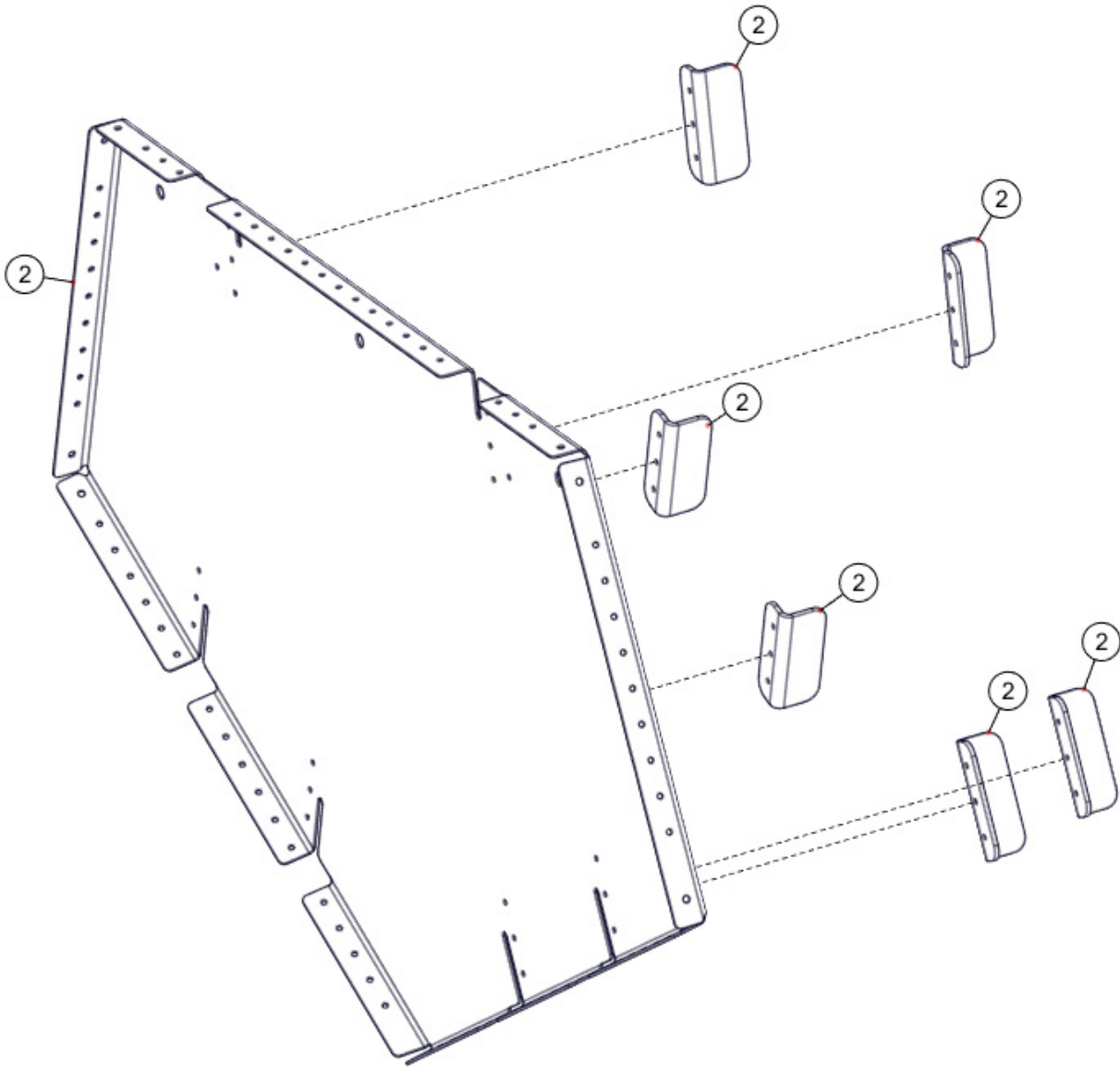
1007522 ASSEMBLY, BULKHEAD 17, RIGHT FLOAT



1007522 ASSEMBLY, BULKHEAD 17, RIGHT FLOAT

| ITEM | QTY | PART NO. | PART DESCRIPTION |
|------|-----|-------------|---------------------------------|
| 1 | 1 | 1007612 | PANEL, BULKHEAD |
| 2 | 6 | 1007679 | ANGLE, ATTACH, COMMON, BULKHEAD |
| 3 | 2 | 3A01151-010 | PULLEY BRACKET |
| 4 | 2 | 6A01156-069 | DOUBLER, BULKHEAD |
| 5 | 2 | MS24665-136 | COTTER PIN |

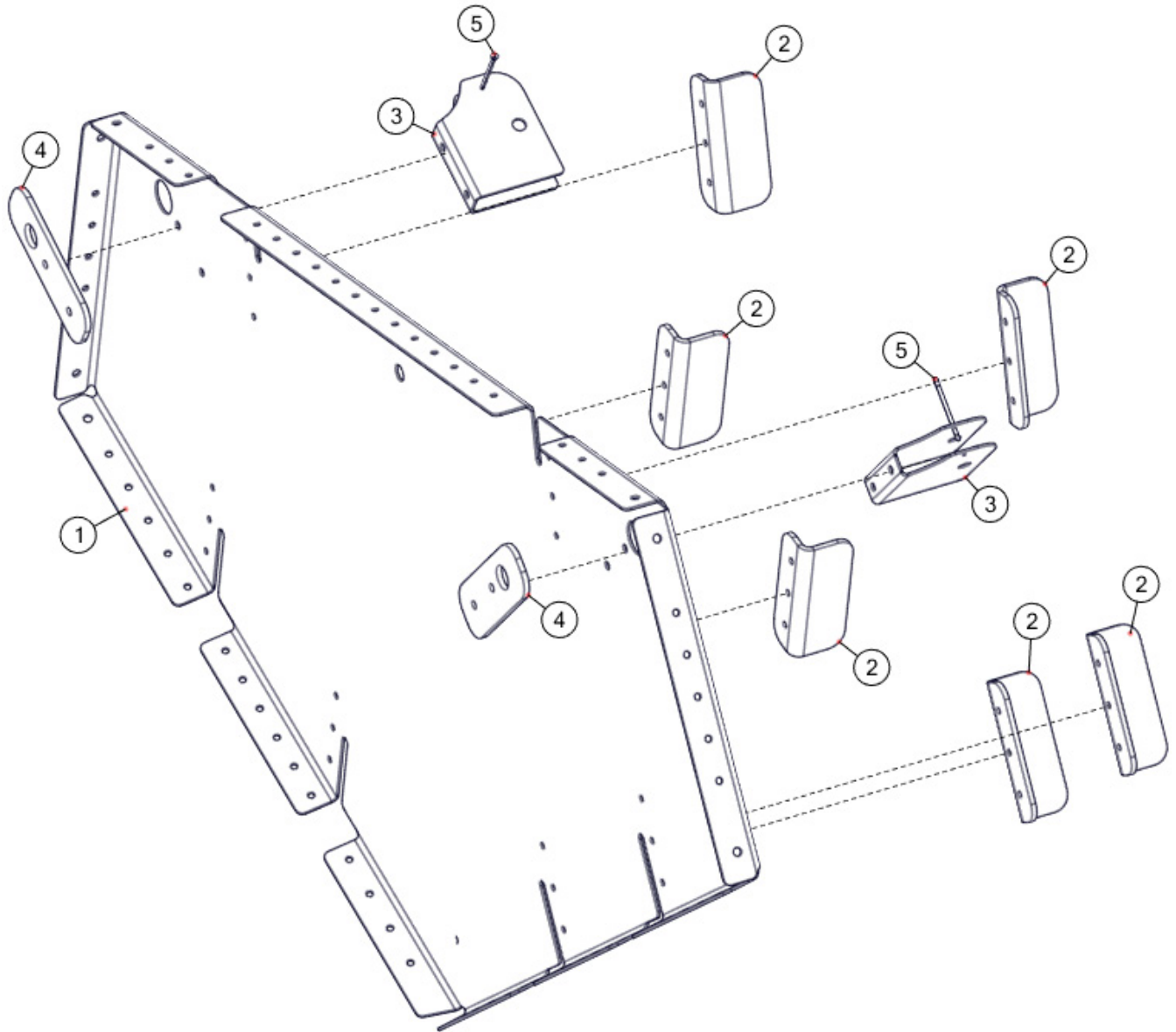
1007524 ASSEMBLY, BULKHEAD 18



1007524 ASSEMBLY, BULKHEAD 18

| ITEM | QTY | PART NO. | PART DESCRIPTION |
|------|-----|----------|---------------------------------|
| 1 | 1 | 1007613 | PANEL, BULKHEAD |
| 2 | 6 | 1007679 | ANGLE, ATTACH, COMMON, BULKHEAD |

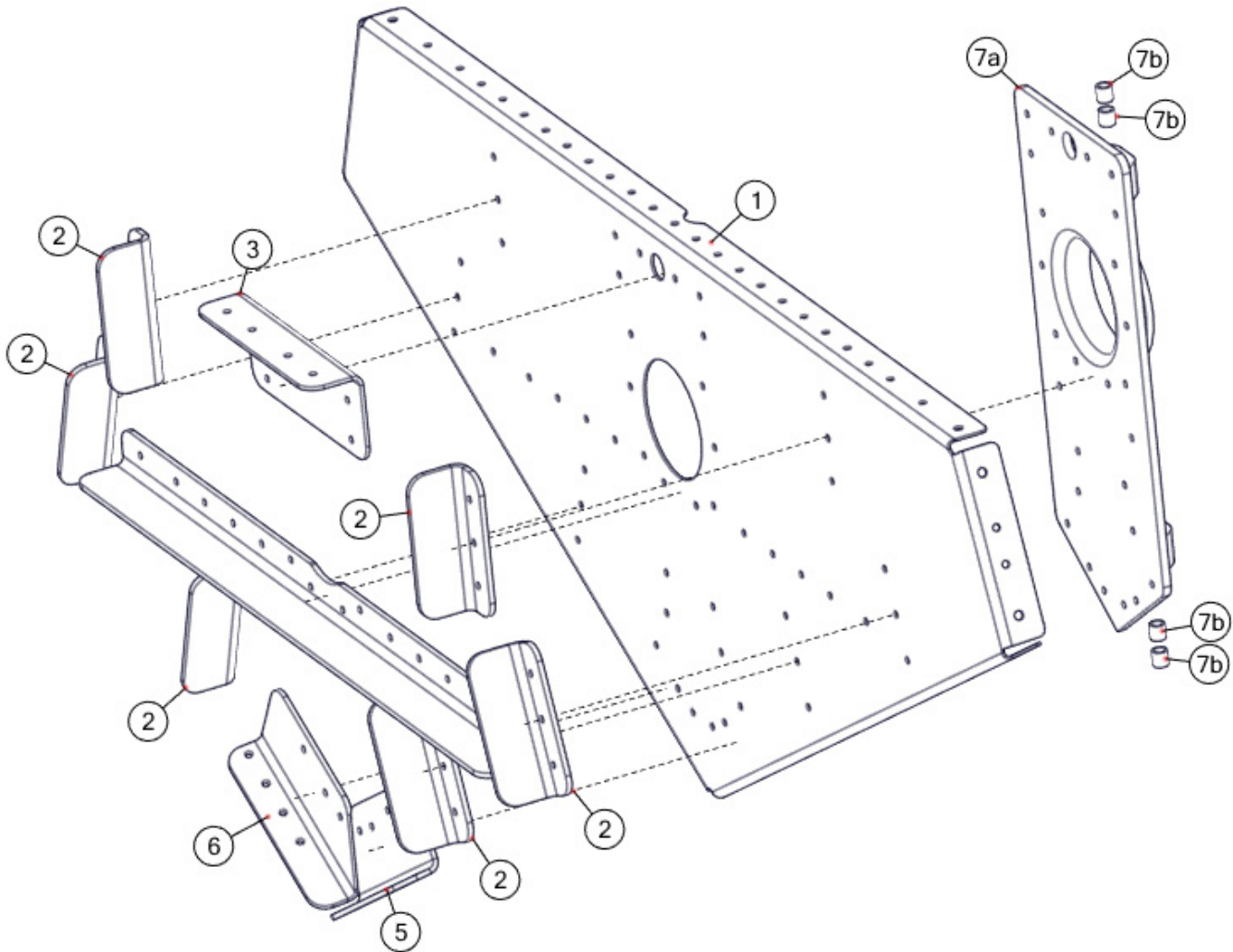
1007525 ASSEMBLY, BULKHEAD 19



1007525 ASSEMBLY, BULKHEAD 19

| ITEM | QTY | PART NO. | PART DESCRIPTION |
|------|-----|-------------|--------------------------|
| 1 | 1 | 1007614 | PANEL, BULKHEAD |
| 2 | 6 | 1007679 | ANGLE, ATTACH, COMMON |
| 3 | 2 | 3A01151-010 | PULLEY BRACKET |
| 4 | 2 | 6A01156-070 | DOUBLER, CABLE, BULKHEAD |
| 5 | 2 | MS24665-136 | COTTER PIN |

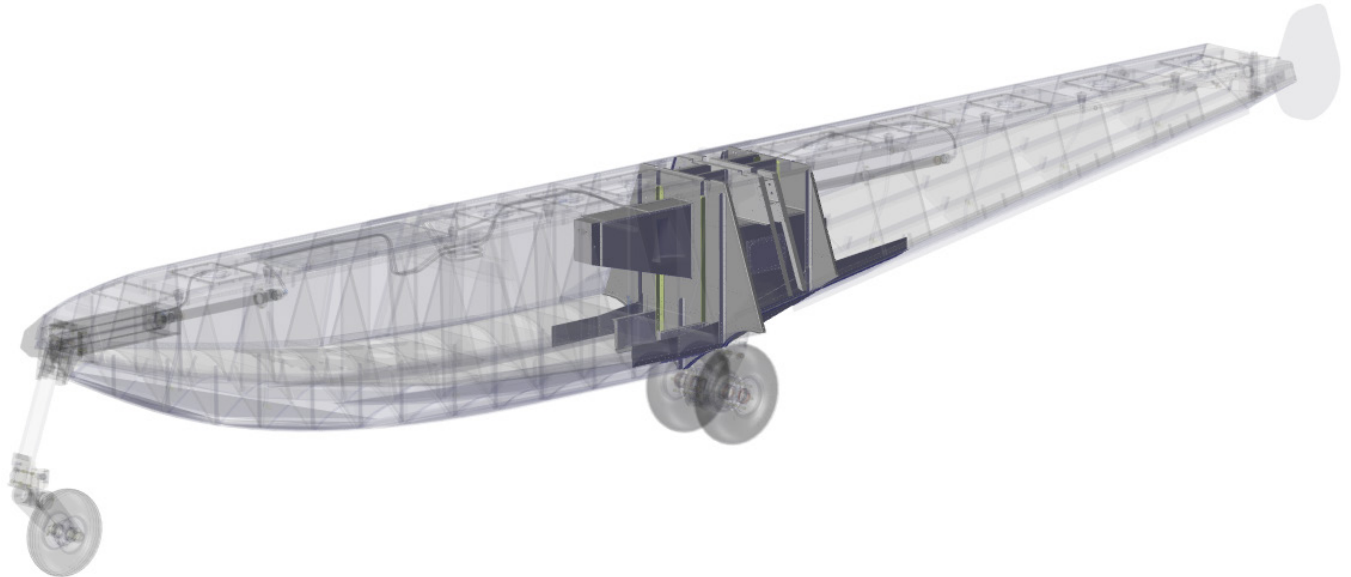
1007526 ASSEMBLY, BULKHEAD 20



1007526 ASSEMBLY, BULKHEAD 20

| ITEM | QTY | PART NO. | PART DESCRIPTION |
|------|-----|-------------|---|
| 1 | 1 | 1007615 | PANEL, BULKHEAD |
| 2 | 6 | 1007679 | ANGLE, ATTACH, COMMON, BULKHEAD |
| 3 | 1 | 1007689 | STIFFENER, TOP, BULKHEAD |
| 4 | 1 | 1007690 | STIFFENER, MID, BULKHEAD |
| 5 | 1 | 1007691 | STIFFENER, BOTTOM, LEFT, BULKHEAD |
| 6 | 1 | 1007692 | STIFFENER, BOTTOM, RIGHT, BULKHEAD |
| 7* | 1 | 3A01437-001 | ASSEMBLY, MOUNT, PIVOT, WATER RUDDER |
| 7a | 1 | - | ALUMINUM MATERIAL (not sold separately) |
| 7b | 4 | 03DU04 | BUSHING |

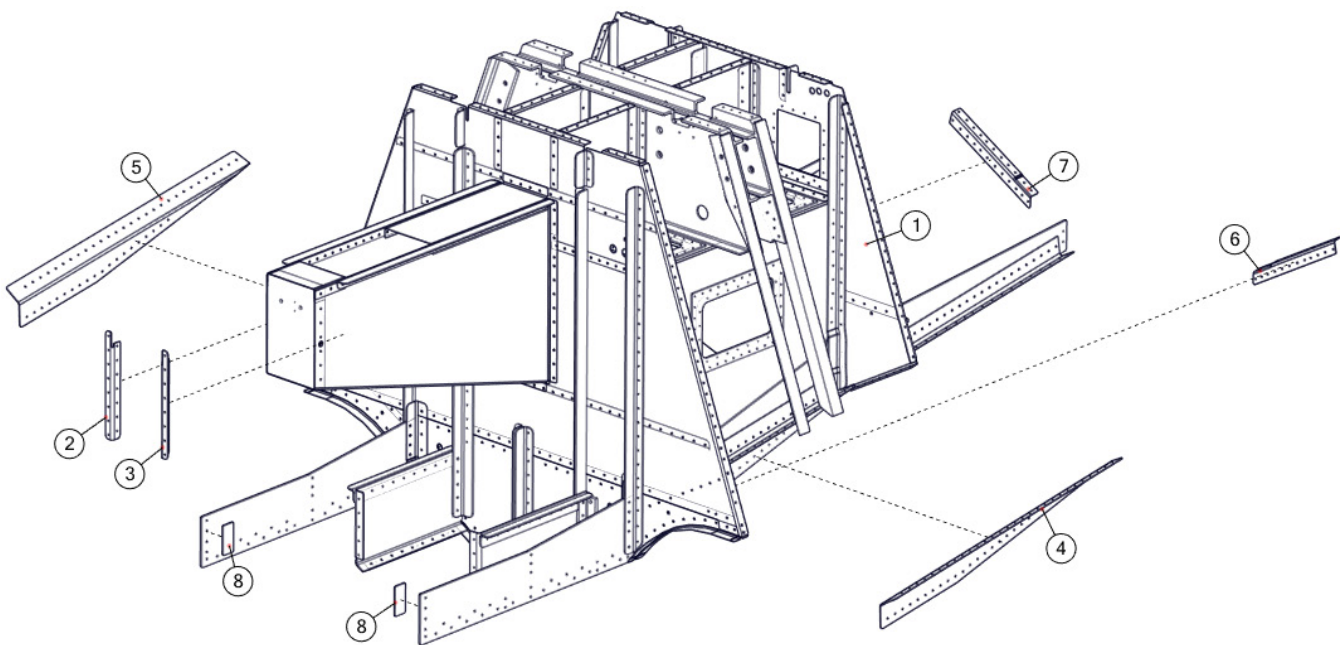
SECTION 3 WHEEL WELL ASSEMBLY



CONTENTS

| | |
|--|----|
| WHEEL WELL ASSEMBLY WITH SURROUNDING STRUCTURE, LEFT FLOAT | 42 |
| WHEEL WELL ASSEMBLY WITH SURROUNDING STRUCTURE, RIGHT FLOAT | 43 |
| ACCESS COVERS, WHEEL WELL ASSEMBLY, LEFT FLOAT | 44 |
| ACCESS COVERS, WHEEL WELL ASSEMBLY, RIGHT FLOAT | 45 |
| 1007515 ASSEMBLY, WHEEL WELL, LEFT FLOAT | 46 |
| 1007514 ASSEMBLY, WHEEL WELL, RIGHT FLOAT | 48 |
| 1007517 ASSEMBLY, BULKHEAD 14..... | 50 |
| 1007663 ASSEMBLY, PANEL, SUPPORT, DRAG BRACE, RIGHT | 51 |
| 1007664 ASSEMBLY, PANEL, SUPPORT, DRAG BRACE, LEFT | 52 |
| 1007519 ASSEMBLY, BULKHEAD 15, LEFT FLOAT | 53 |
| 1007518 ASSEMBLY, BULKHEAD 15, RIGHT FLOAT | 54 |
| 1007561 ASSEMBLY, PANEL, FRONT, AFT SPREADER BAR, LEFT FLOAT | 55 |
| 1007560 ASSEMBLY, PANEL, FRONT, AFT SPREADER BAR, RIGHT FLOAT..... | 56 |
| 1007563 ASSEMBLY, PANEL, REAR, AFT SPREADER BAR, LEFT FLOAT | 57 |
| 1007562 ASSEMBLY, PANEL, REAR, AFT SPREADER BAR, RIGHT FLOAT..... | 58 |
| 1007564 ASSEMBLY, PANEL, MAIN, RIGHT, WHEEL WELL..... | 59 |
| 1007565 ASSEMBLY, PANEL, MAIN, LEFT, WHEEL WELL..... | 60 |

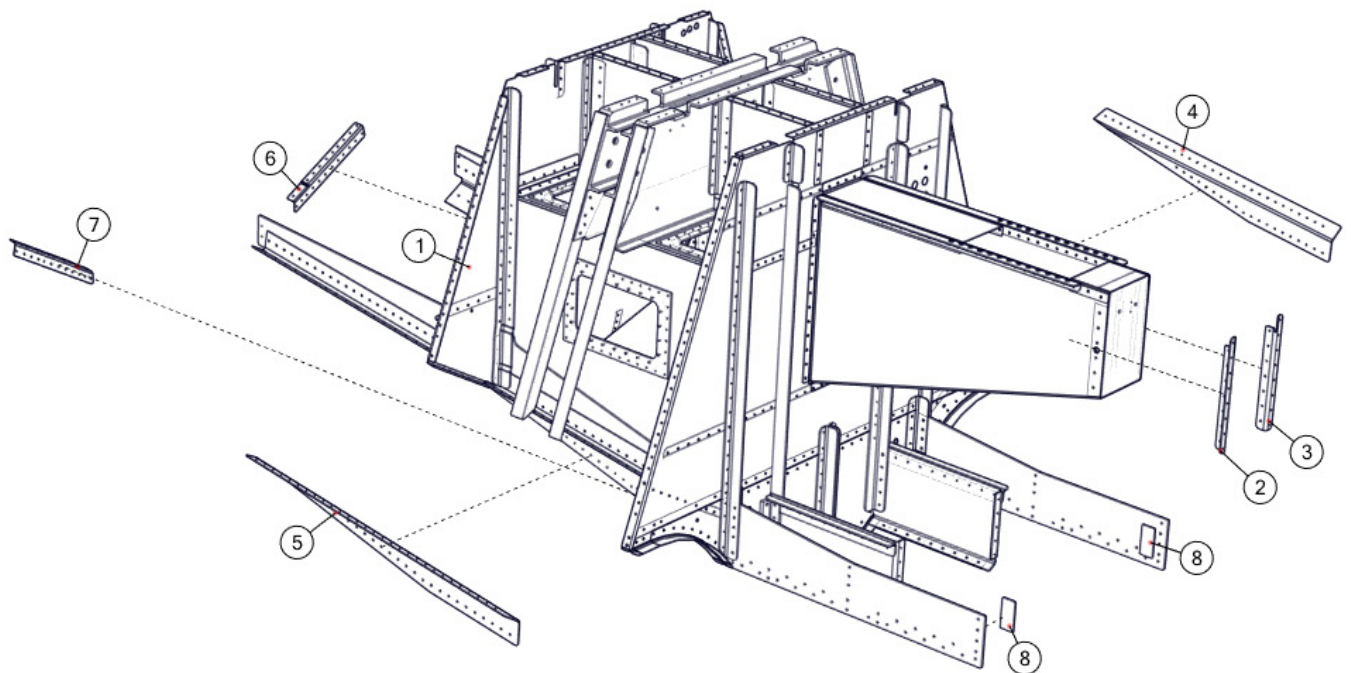
WHEEL WELL ASSEMBLY WITH SURROUNDING STRUCTURE, LEFT FLOAT



WHEEL WELL ASSEMBLY WITH SURROUNDING STRUCTURE, LEFT FLOAT

| ITEM | QTY | PART NO. | PART DESCRIPTION |
|------|-----|-------------|---|
| 1 | 1 | 1007515 | ASSEMBLY, WHEEL WELL, LEFT FLOAT |
| 2 | 1 | 1007766 | BRACKET, MOUNTING, RIGHT, GEAR TUNNEL |
| 3 | 1 | 1007767 | BRACKET, MOUNTING, LEFT, GEAR TUNNEL |
| 4 | 1 | 1007817 | ANGLE, CARRY THROUGH, LEFT, OUTER, LOWER |
| 5 | 1 | 1007818 | ANGLE, CARRY THROUGH, RIGHT, OUTER, LOWER |
| 6 | 1 | 1007837 | DOUBLER, ATTACH, BOTTOM SKIN, LEFT |
| 7 | 1 | 1007838 | DOUBLER, ATTACH, BOTTOM SKIN, RIGHT |
| 8 | 2 | 6A01011-001 | SHIM, CARRY THROUGH STRAP |

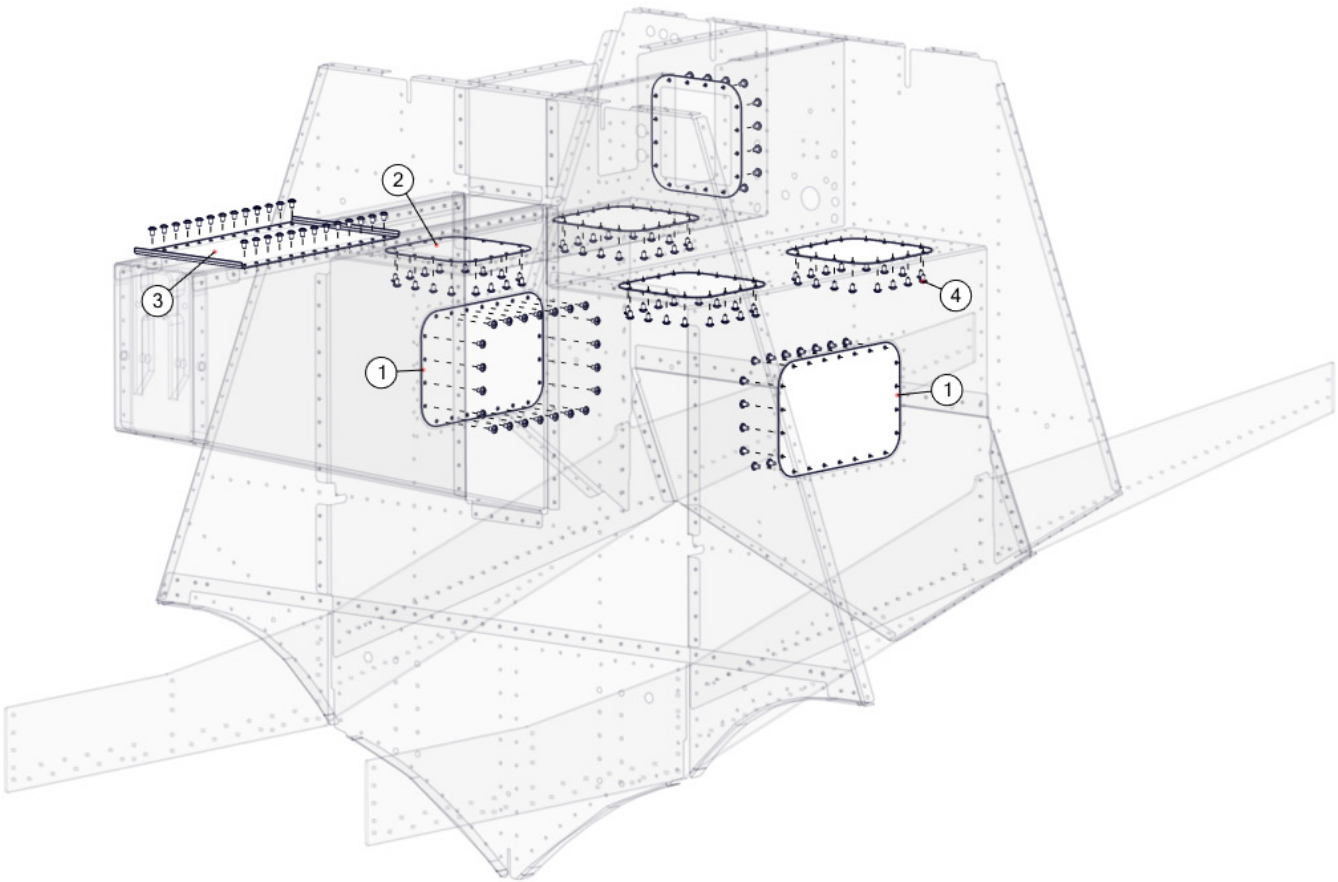
WHEEL WELL ASSEMBLY WITH SURROUNDING STRUCTURE, RIGHT FLOAT



WHEEL WELL ASSEMBLY WITH SURROUNDING STRUCTURE, RIGHT FLOAT

| ITEM | QTY | PART NO. | PART DESCRIPTION |
|------|-----|-------------|---|
| 1 | 1 | 1007514 | ASSEMBLY, WHEEL WELL, RIGHT FLOAT |
| 2 | 1 | 1007766 | BRACKET, MOUNTING, RIGHT, GEAR TUNNEL |
| 3 | 1 | 1007767 | BRACKET, MOUNTING, LEFT, GEAR TUNNEL |
| 4 | 1 | 1007817 | ANGLE, CARRY THROUGH, LEFT, OUTER, LOWER |
| 5 | 1 | 1007818 | ANGLE, CARRY THROUGH, RIGHT, OUTER, LOWER |
| 6 | 1 | 1007837 | DOUBLER, ATTACH, BOTTOM SKIN, LEFT |
| 7 | 1 | 1007838 | DOUBLER, ATTACH, BOTTOM SKIN, RIGHT |
| 8 | 2 | 6A01011-001 | SHIM, CARRY THROUGH STRAP |

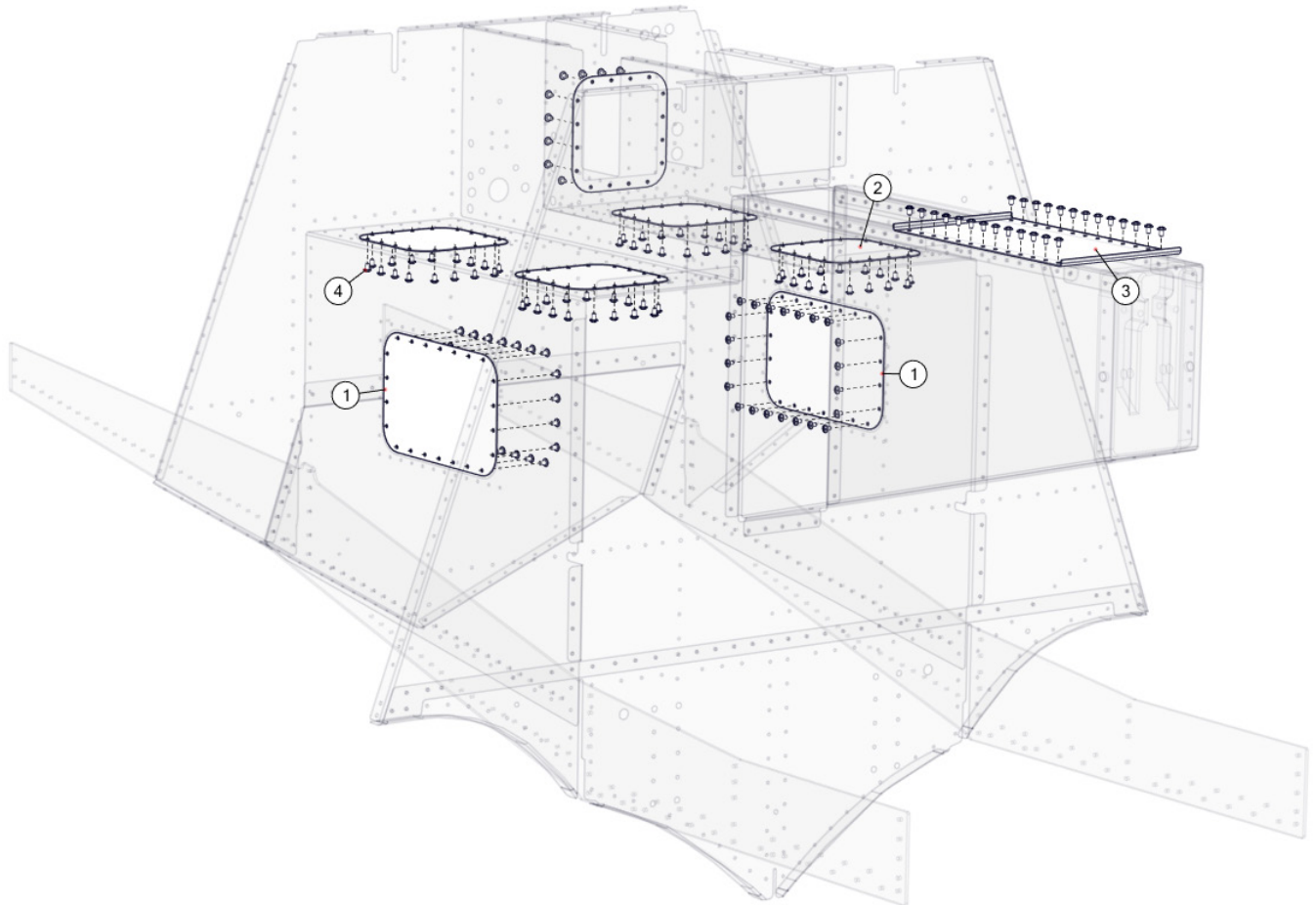
ACCESS COVERS, WHEEL WELL ASSEMBLY, LEFT FLOAT



ACCESS COVERS, WHEEL WELL ASSEMBLY, LEFT FLOAT

| ITEM | QTY | PART NO. | PART DESCRIPTION |
|------|-----|-------------|--------------------------------------|
| 1 | 2 | 6A01158-151 | COVER, INSPECTION, WHEEL WELL, LARGE |
| 2 | 5 | 6A01158-152 | COVER, INSPECTION, WHEEL WELL, SMALL |
| 3 | 1 | 6A01005-054 | COVER, TUNNEL |
| 4 | 124 | AN526-632R4 | SCREW |

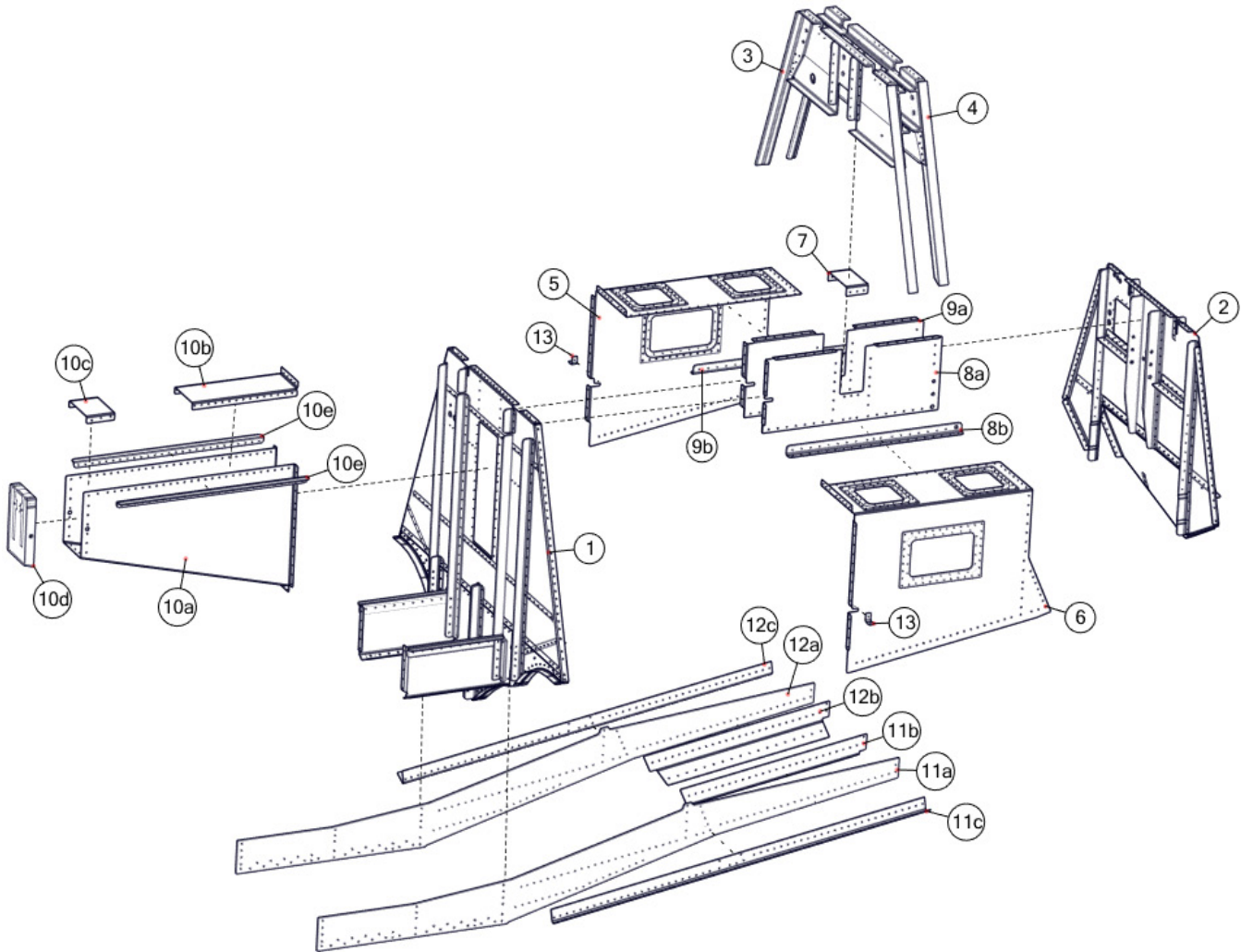
ACCESS COVERS, WHEEL WELL ASSEMBLY, RIGHT FLOAT



ACCESS COVERS, WHEEL WELL ASSEMBLY, RIGHT FLOAT

| ITEM | QTY | PART NO. | PART DESCRIPTION |
|------|-----|-------------|--------------------------------------|
| 1 | 2 | 6A01158-151 | COVER, INSPECTION, WHEEL WELL, LARGE |
| 2 | 5 | 6A01158-152 | COVER, INSPECTION, WHEEL WELL, SMALL |
| 3 | 1 | 6A01005-054 | COVER, TUNNEL |
| 4 | 124 | AN526-632R4 | SCREW |

1007515 ASSEMBLY, WHEEL WELL, LEFT FLOAT



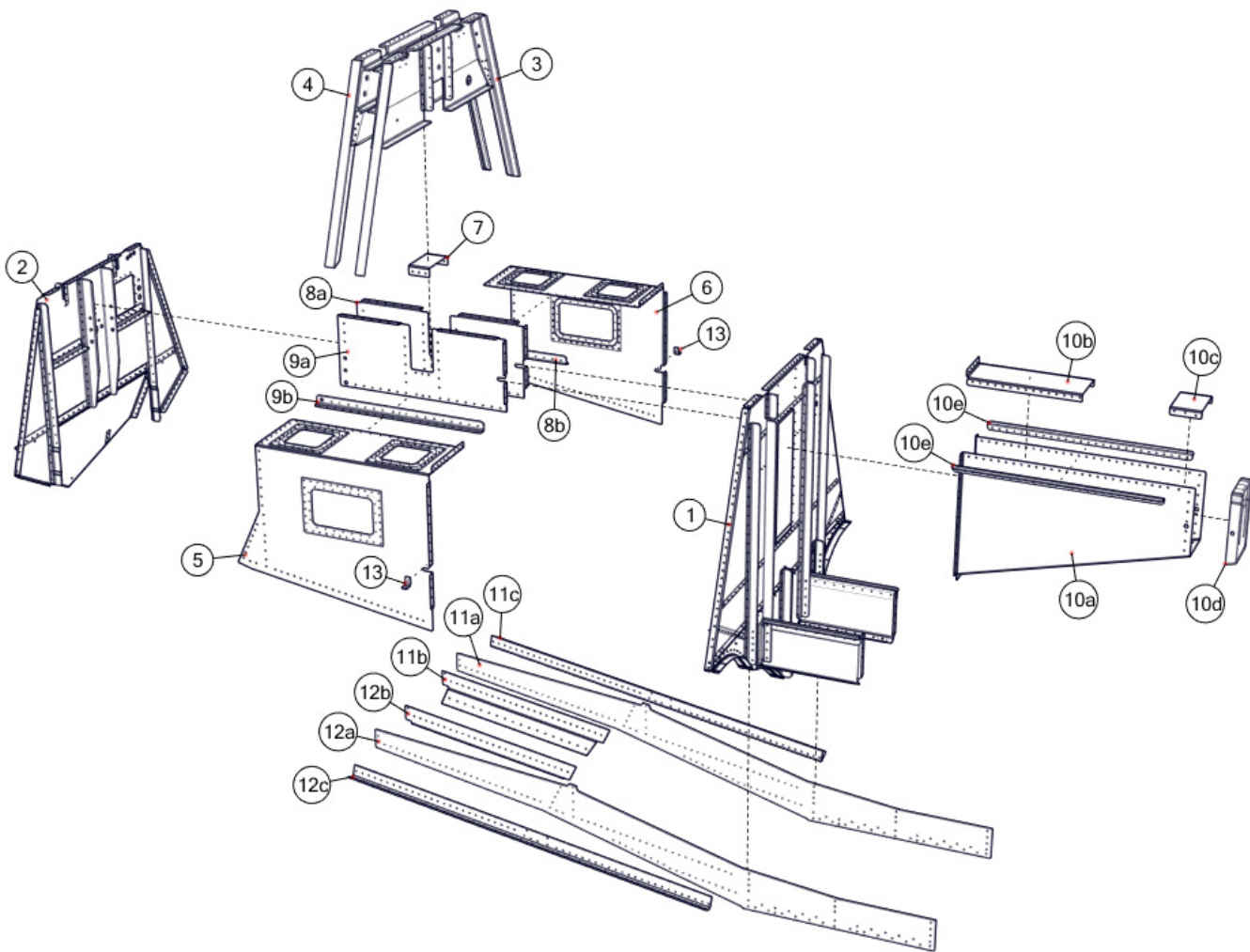
PARTS MANUAL FOR RIVETED
WIPLINE MODEL 6100 AMPHIBIAN FLOATS SERIAL NUMBERS 61500 AND UP

1007515 ASSEMBLY, WHEEL WELL, LEFT FLOAT

| ITEM | QTY | PART NO. | PART DESCRIPTION |
|------|-----|-------------|--|
| 1 | 1 | 1007517 | ASSEMBLY, BULKHEAD 14 |
| 2 | 1 | 1007519 | ASSEMBLY, BULKHEAD 15, LEFT FLOAT |
| 3 | 1 | 1007561 | ASSEMBLY, PANEL, FRONT, AFT SPREADER BAR, LEFT FLOAT |
| 4 | 1 | 1007563 | ASSEMBLY, PANEL, REAR, AFT SPREADER BAR, LEFT FLOAT |
| 5 | 1 | 1007564 | ASSEMBLY, PANEL, MAIN, RIGHT, WHEEL WELL |
| 6 | 1 | 1007565 | ASSEMBLY, PANEL, MAIN, LEFT, WHEEL WELL |
| 7 | 1 | 1007629 | COVER, WHEEL WELL, SPREADER BAR |
| 8* | 1 | 1007637 | ASSEMBLY, PANEL, UPPER, LEFT, WHEEL WELL |
| 8a | 1 | 1007627 | PANEL, UPPER, LEFT, WHEEL WELL |
| 8b | 1 | 1007685 | ANGLE, WHEEL WELL SUPPORT, LEFT |
| 9* | 1 | 1007638 | ASSEMBLY, PANEL, UPPER, RIGHT, WHEEL WELL |
| 9a | 1 | 1007628 | PANEL, UPPER, RIGHT, WHEEL WELL |
| 9b | 1 | 1007686 | ANGLE, WHEEL WELL SUPPORT, RIGHT |
| 10* | 1 | 1007765 | ASSEMBLY, TUNNEL |
| 10a | 1 | 1007761 | PANEL, TUNNEL, MAIN |
| 10b | 1 | 1007762 | PANEL, TUNNEL, TOP, AFT |
| 10c | 1 | 1007763 | PANEL, TUNNEL, TOP, FORWARD |
| 10d | 1 | 1007764 | FITTING, FORWARD, SLIDE, TUBE |
| 10e | 2 | 6A01340-015 | ANGLE, TUNNEL |
| 11* | 1 | 1007790 | ASSEMBLY, CARRY THROUGH STRAP, LEFT |
| 11a | 1 | 1007630 | CARRY THROUGH STRAP |
| 11b | 1 | 1007820 | ANGLE, CARRY THROUGH STRAP, LEFT, INNER |
| 11c | 1 | 1007821 | ANGLE, CARRY THROUGH STRAP, LEFT, OUTER |
| 12* | 1 | 1007791 | ASSEMBLY, CARRY THROUGH STRAP, RIGHT |
| 12a | 1 | 1007630 | CARRY THROUGH STRAP |
| 12b | 1 | 1007819 | ANGLE, CARRY THROUGH STRAP, RIGHT, INNER |
| 12c | 1 | 1007822 | ANGLE, CARRY THROUGH STRAP, RIGHT, OUTER |
| 13 | 2 | 1007877 | ANGLE, STEWART, WHEEL WELL |

*See [Nomenclature System](#) section when ordering assemblies

1007514 ASSEMBLY, WHEEL WELL, RIGHT FLOAT



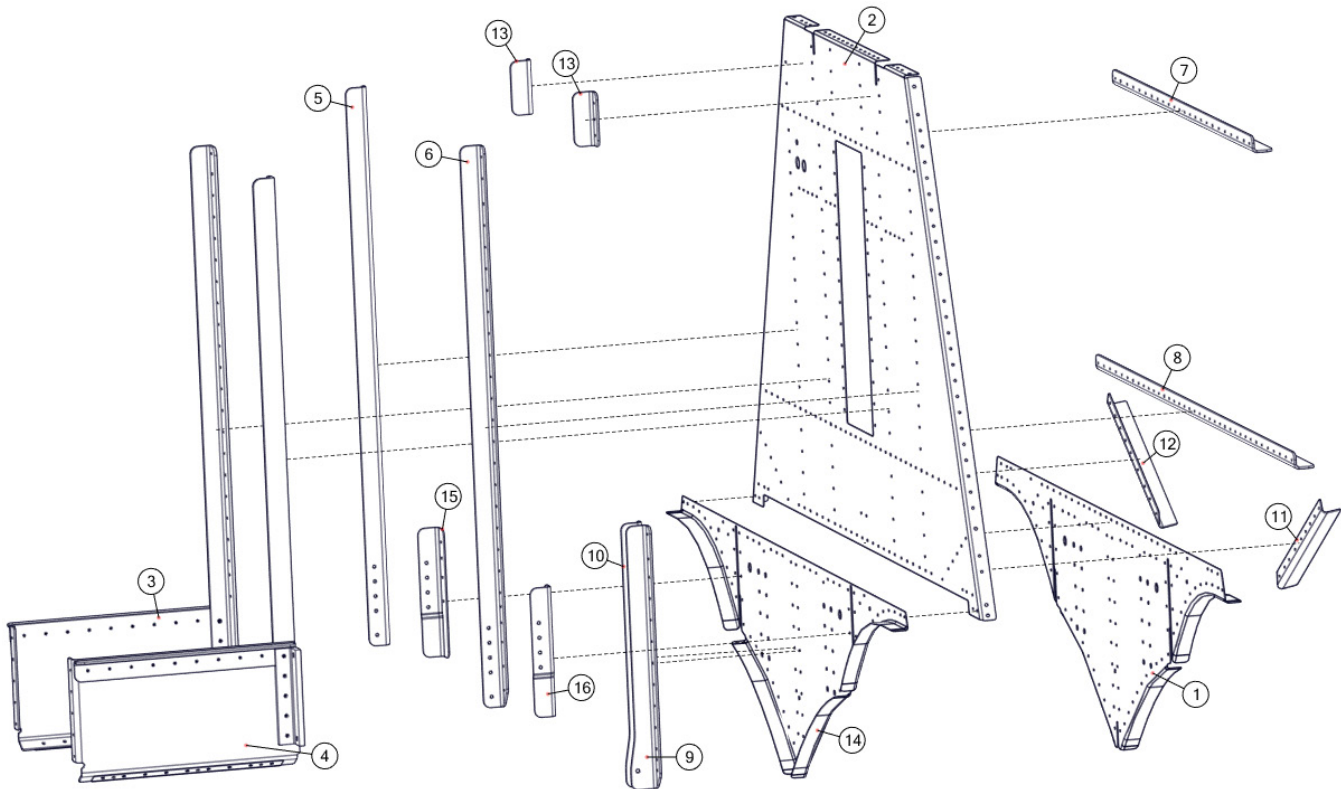
PARTS MANUAL FOR RIVETED
WIPLINE MODEL 6100 AMPHIBIAN FLOATS SERIAL NUMBERS 61500 AND UP

1007514 ASSEMBLY, WHEEL WELL, RIGHT FLOAT

| ITEM | QTY | PART NO. | PART DESCRIPTION |
|------|-----|-------------|---|
| 1 | 1 | 1007517 | ASSEMBLY, BULKHEAD 14 |
| 2 | 1 | 1007518 | ASSEMBLY, BULKHEAD 15, RIGHT FLOAT |
| 3 | 1 | 1007560 | ASSEMBLY, PANEL, FRONT, AFT SPREADER BAR, RIGHT FLOAT |
| 4 | 1 | 1007562 | ASSEMBLY, PANEL, REAR, AFT SPREADER BAR, RIGHT FLOAT |
| 5 | 1 | 1007564 | ASSEMBLY, PANEL, MAIN, RIGHT, WHEEL WELL |
| 6 | 1 | 1007565 | ASSEMBLY, PANEL, MAIN, LEFT, WHEEL WELL |
| 7 | 1 | 1007629 | COVER, WHEEL WELL, SPREADER BAR |
| 8* | 1 | 1007637 | ASSEMBLY, PANEL, UPPER, LEFT, WHEEL WELL |
| 8a | 1 | 1007627 | PANEL, UPPER, LEFT, WHEEL WELL |
| 8b | 1 | 1007685 | ANGLE, WHEEL WELL SUPPORT, LEFT |
| 9* | 1 | 1007638 | ASSEMBLY, PANEL, UPPER, RIGHT, WHEEL WELL |
| 9a | 1 | 1007628 | PANEL, UPPER, RIGHT, WHEEL WELL |
| 9b | 1 | 1007686 | ANGLE, WHEEL WELL SUPPORT, RIGHT |
| 10* | 1 | 1007765 | ASSEMBLY, TUNNEL |
| 10a | 1 | 1007761 | PANEL, TUNNEL, MAIN |
| 10b | 1 | 1007762 | PANEL, TUNNEL, TOP, AFT |
| 10c | 1 | 1007763 | PANEL, TUNNEL, TOP, FORWARD |
| 10d | 1 | 1007764 | FITTING, FORWARD, SLIDE, TUBE |
| 10e | 2 | 6A01340-015 | ANGLE, TUNNEL |
| 11* | 1 | 1007790 | ASSEMBLY, CARRY THROUGH STRAP, LEFT |
| 11a | 1 | 1007630 | CARRY THROUGH STRAP |
| 11b | 1 | 1007820 | ANGLE, CARRY THROUGH STRAP, LEFT, INNER |
| 11c | 1 | 1007821 | ANGLE, CARRY THROUGH STRAP, LEFT, OUTER |
| 12* | 1 | 1007791 | ASSEMBLY, CARRY THROUGH STRAP, RIGHT |
| 12a | 1 | 1007630 | CARRY THROUGH STRAP |
| 12b | 1 | 1007819 | ANGLE, CARRY THROUGH STRAP, RIGHT, INNER |
| 12c | 1 | 1007822 | ANGLE, CARRY THROUGH STRAP, RIGHT, OUTER |
| 13 | 2 | 1007877 | ANGLE, STEWART, WHEEL WELL |

*See [Nomenclature System](#) section when ordering assemblies

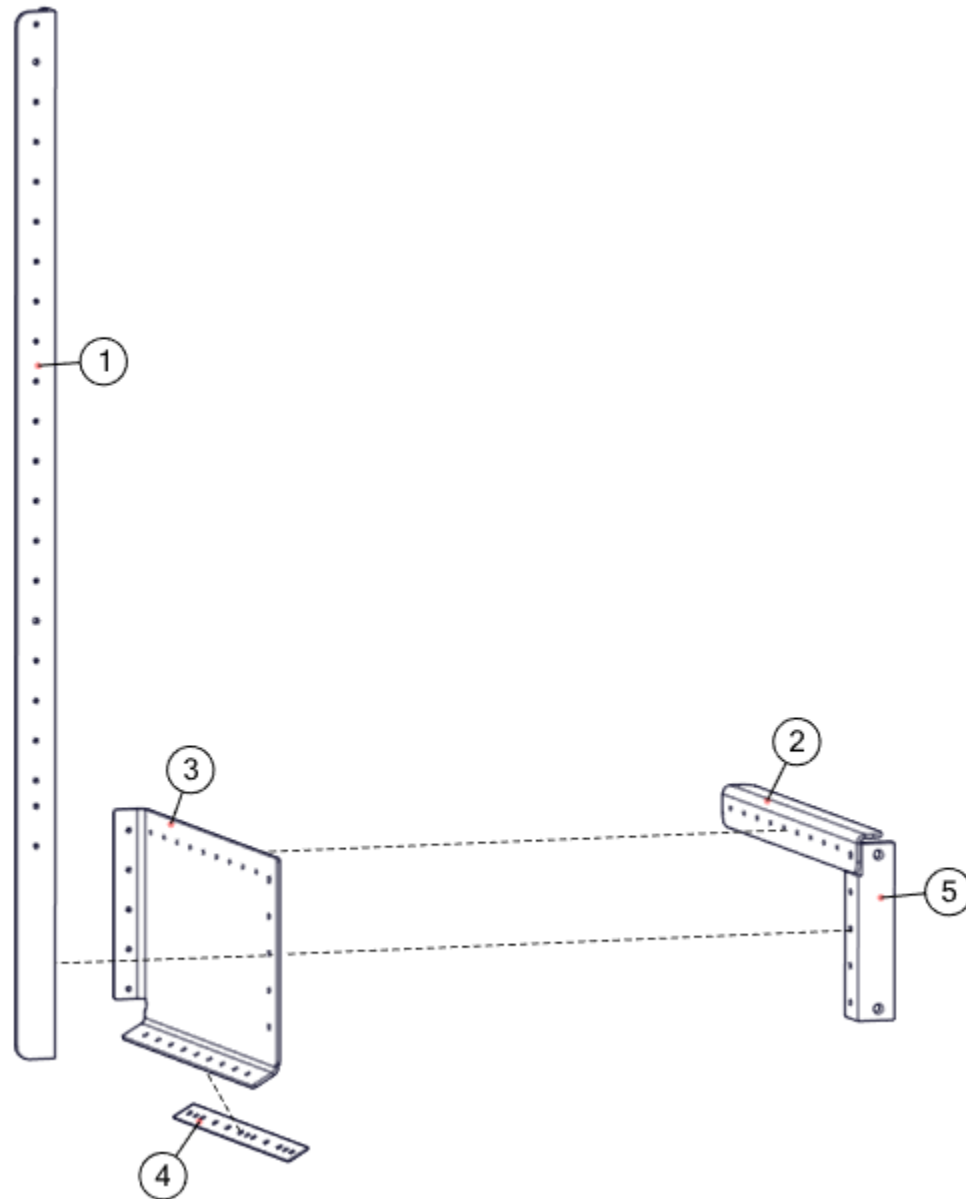
1007517 ASSEMBLY, BULKHEAD 14



1007517 ASSEMBLY, BULKHEAD 14

| ITEM | QTY | PART NO. | PART DESCRIPTION |
|------|-----|----------|---|
| 1 | 1 | 1007605 | PANEL, BOTTOM, AFT, BULKHEAD |
| 2 | 1 | 1007606 | PANEL, BULKHEAD |
| 3 | 1 | 1007663 | ASSEMBLY, PANEL, SUPPORT, DRAG BRACE, RIGHT |
| 4 | 1 | 1007664 | ASSEMBLY, PANEL, SUPPORT, DRAG BRACE, LEFT |
| 5 | 1 | 1007671 | ANGLE, ATTACH, SISTER KEEL, RIGHT, OUTBOARD, BULKHEAD |
| 6 | 1 | 1007672 | ANGLE, ATTACH, SISTER KEEL, LEFT, OUTBOARD, BULKHEAD |
| 7 | 1 | 1007673 | STIFFENER, HORIZONTAL, TOP, BULKHEAD |
| 8 | 1 | 1007674 | STIFFENER, HORIZONTAL, BOTTOM, BULKHEAD |
| 9 | 1 | 1007675 | ANGLE, ATTACH, MAIN KEEL, BULKHEAD |
| 10 | 1 | 1007676 | ANGLE, ATTACH, MAIN KEEL, BULKHEAD |
| 11 | 1 | 1007677 | ANGLE, ATTACH, BOTTOM SKIN, LEFT, BULKHEAD |
| 12 | 1 | 1007678 | ANGLE, ATTACH, BOTTOM SKIN, RIGHT, BULKHEAD |
| 13 | 2 | 1007679 | ANGLE, ATTACH, COMMON, BULKHEAD |
| 14 | 1 | 1007717 | PANEL, BOTTOM, FORWARD, BULKHEAD |
| 15 | 1 | 1007783 | ANGLE, ATTACH, SISTER KEEL, RIGHT, INNER, BULKHEAD |
| 16 | 1 | 1007784 | ANGLE, ATTACH, SISTER KEEL, LEFT, INNER, BULKHEAD |

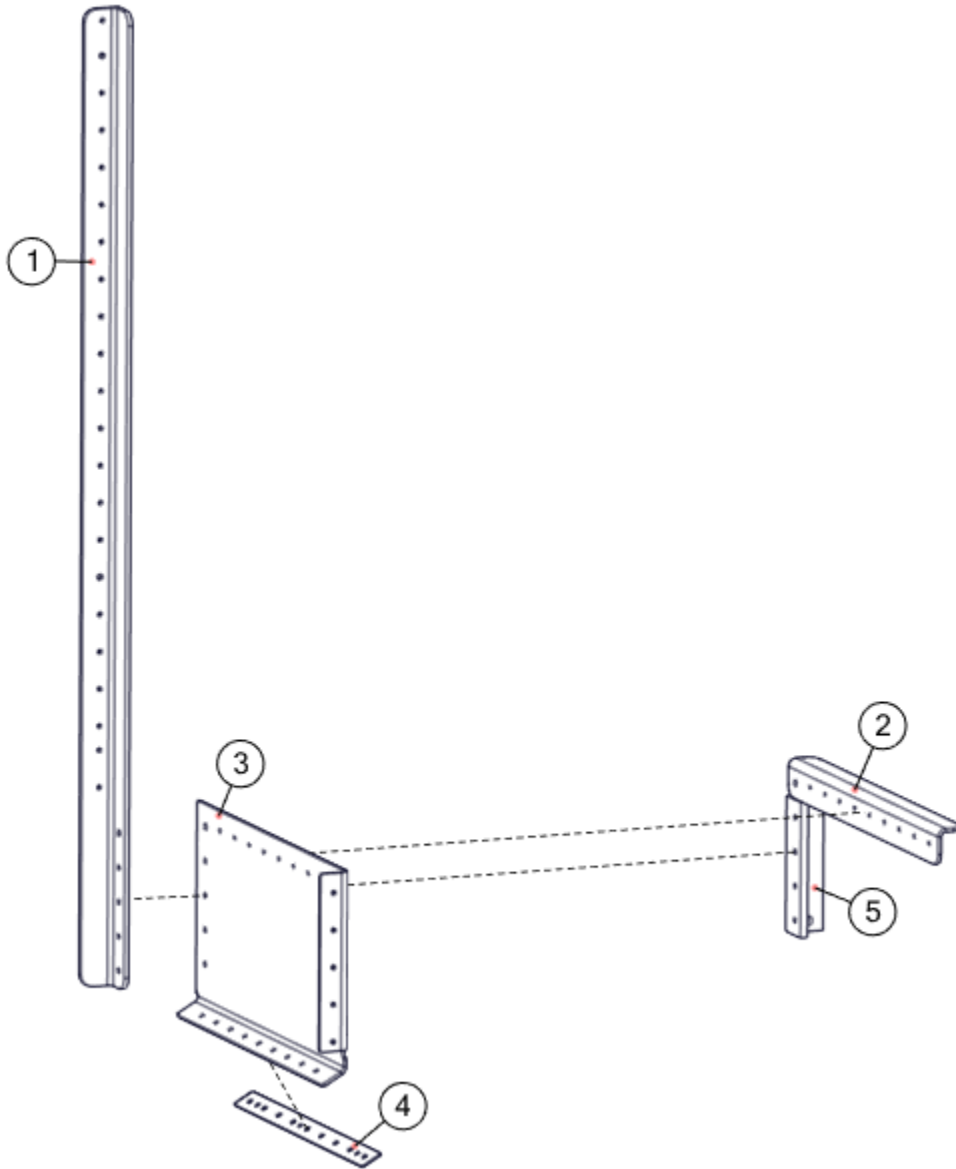
1007663 ASSEMBLY, PANEL, SUPPORT, DRAG BRACE, RIGHT



1007663 ASSEMBLY, PANEL, SUPPORT, DRAG BRACE, RIGHT

| ITEM | QTY | PART NO. | PART DESCRIPTION |
|------|-----|-------------|--|
| 1 | 1 | 1007665 | ANGLE, ATTACH, DRAG BRACE PANEL |
| 2 | 1 | 1007666 | STIFFENER, PANEL, SUPPORT, DRAG BRACE, RIGHT |
| 3 | 1 | 1007670 | PANEL, SUPPORT, DRAG BRACE, RIGHT |
| 4 | 1 | 1007794 | SPACER, CARRY THROUGH, BOTTOM SKIN |
| 5 | 1 | 6A01183-001 | ANGLE, ATTACH, DRAG BRACE PANEL |

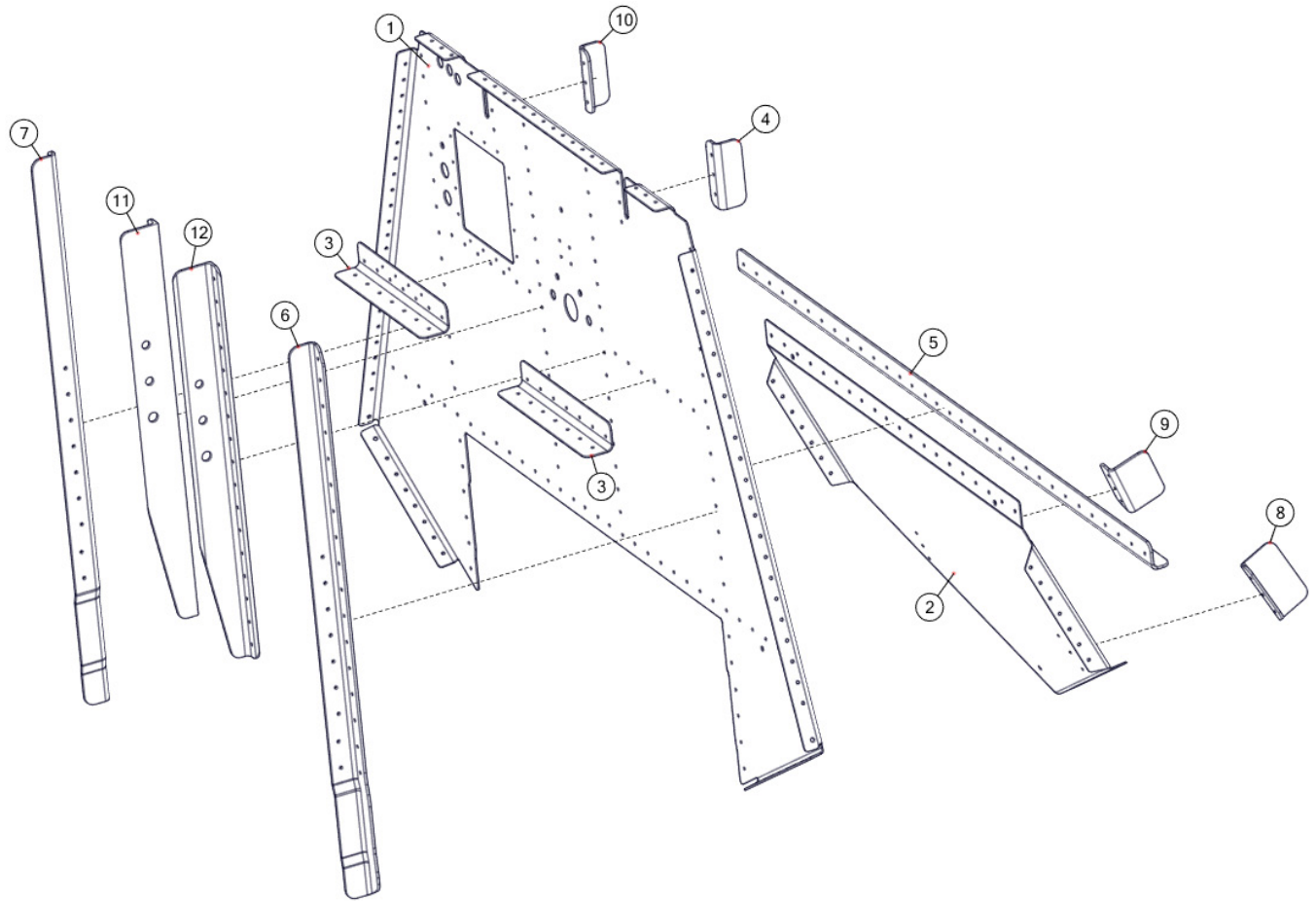
1007664 ASSEMBLY, PANEL, SUPPORT, DRAG BRACE, LEFT



1007664 ASSEMBLY, PANEL, SUPPORT, DRAG BRACE, LEFT

| ITEM | QTY | PART NO. | PART DESCRIPTION |
|------|-----|-------------|---|
| 1 | 1 | 1007667 | ANGLE, ATTACH, DRAG BRACE PANEL, LEFT, BULKHEAD |
| 2 | 1 | 1007668 | STIFFENER, PANEL, SUPPORT, DRAG BRACKET, LEFT |
| 3 | 1 | 1007669 | PANEL, SUPPORT, DRAG BRACE, LEFT |
| 4 | 1 | 1007794 | SPACER, CARRY THROUGH, BOTTOM SKIN |
| 5 | 1 | 6A01183-002 | ANGLE, ATTACH, DRAG BRACE PANEL |

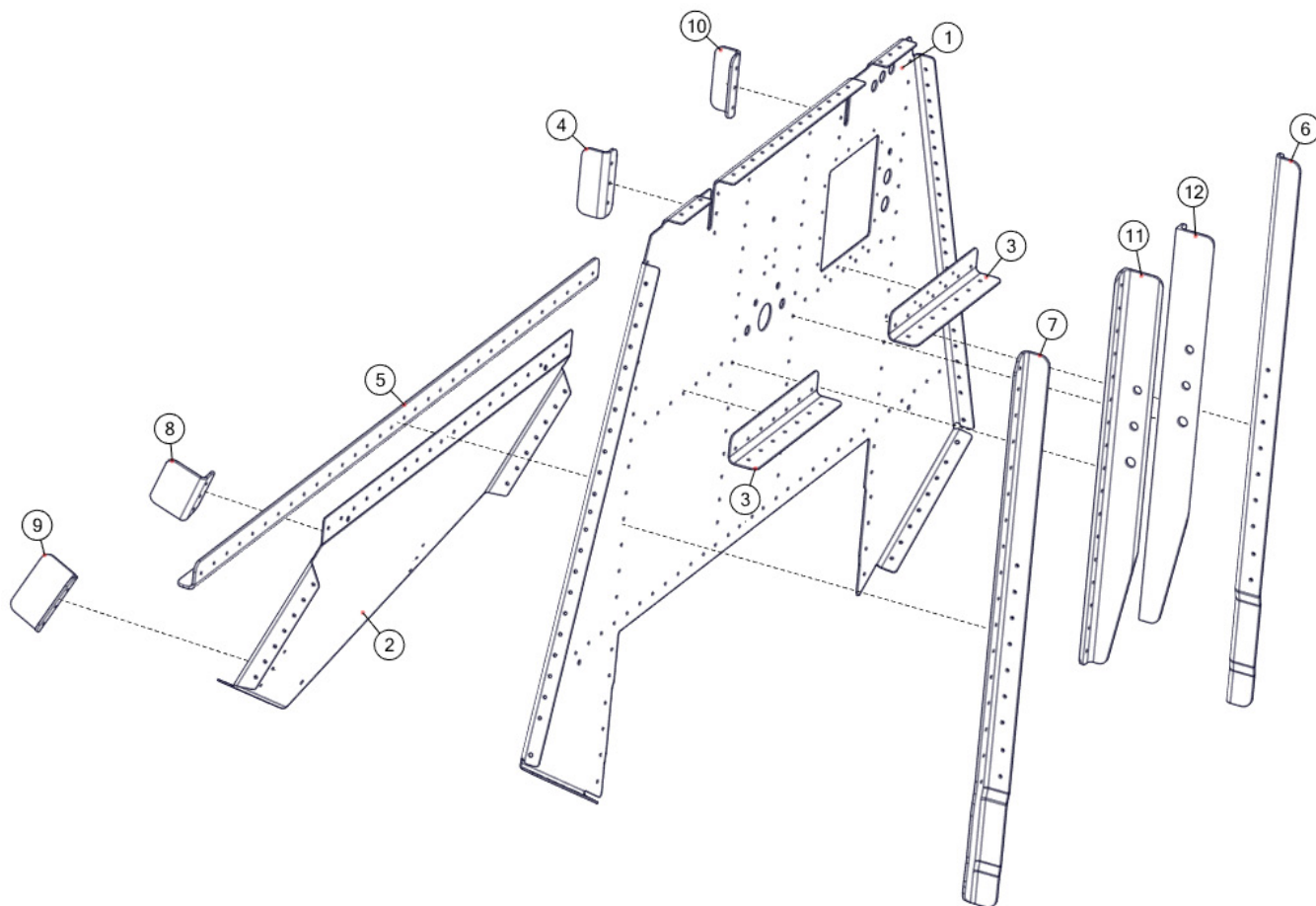
1007519 ASSEMBLY, BULKHEAD 15, LEFT FLOAT



1007519 ASSEMBLY, BULKHEAD 15, LEFT FLOAT

| ITEM | QTY | PART NO. | PART DESCRIPTION |
|------|-----|-------------|---|
| 1 | 1 | 1007607 | PANEL, BULKHEAD, LEFT FLOAT |
| 2 | 1 | 1007609 | PANEL, BOTTOM, BULKHEAD |
| 3 | 2 | 1007632 | ANGLE, ATTACH, WHEEL WELL, BULKHEAD |
| 4 | 1 | 1007679 | ANGLE, ATTACH, COMMON, BULKHEAD |
| 5 | 1 | 1007680 | STIFFENER, HORIZONTAL, BULKHEAD |
| 6 | 1 | 1007681 | ANGLE, ATTACH, CARRY THROUGH, LEFT, BULKHEAD |
| 7 | 1 | 1007682 | ANGLE, ATTACH, CARRY THROUGH, RIGHT, BULKHEAD |
| 8 | 1 | 1007683 | ANGLE, ATTACH, SISTER KEEL, LEFT, BULKHEAD |
| 9 | 1 | 1007684 | ANGLE, ATTACH, SISTER KEEL, RIGHT, BULKHEAD |
| 10 | 1 | 1007866 | ANGLE, ATTACH, TOP RAIL, BULKHEAD, LEFT FLOAT |
| 11 | 1 | 6A01339-028 | ANGLE, SLIDE TUBE, RIGHT |
| 12 | 1 | 6A01339-029 | ANGLE, SLIDE TUBE, LEFT |

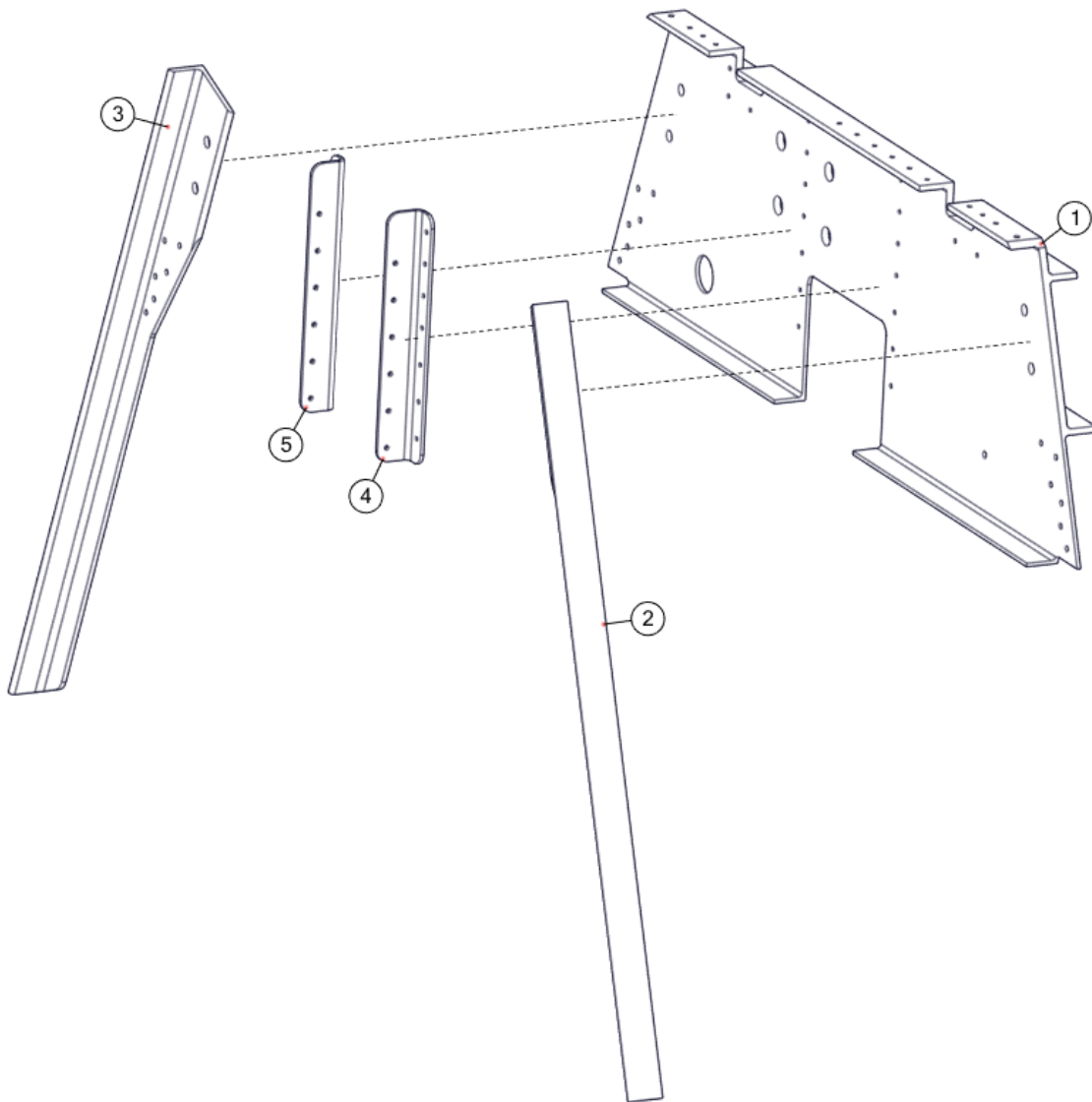
1007518 ASSEMBLY, BULKHEAD 15, RIGHT FLOAT



1007518 ASSEMBLY, BULKHEAD 15, RIGHT FLOAT

| ITEM | QTY | PART NO. | PART DESCRIPTION |
|------|-----|-------------|--|
| 1 | 1 | 1007608 | PANEL, BULKHEAD, RIGHT FLOAT |
| 2 | 1 | 1007609 | PANEL, BOTTOM, BULKHEAD |
| 3 | 2 | 1007632 | ANGLE, ATTACH, WHEEL WELL, BULKHEAD |
| 4 | 1 | 1007679 | ANGLE, ATTACH, COMMON, BULKHEAD |
| 5 | 1 | 1007680 | STIFFENER, HORIZONTAL, BULKHEAD |
| 6 | 1 | 1007681 | ANGLE, ATTACH, CARRY THROUGH, LEFT, BULKHEAD |
| 7 | 1 | 1007682 | ANGLE, ATTACH, CARRY THROUGH, RIGHT, BULKHEAD |
| 8 | 1 | 1007683 | ANGLE, ATTACH, SISTER KEEL, LEFT, BULKHEAD |
| 9 | 1 | 1007684 | ANGLE, ATTACH, SISTER KEEL, RIGHT, BULKHEAD |
| 10 | 1 | 1007867 | ANGLE, ATTACH, TOP RAIL, BULKHEAD, RIGHT FLOAT |
| 11 | 1 | 6A01339-028 | ANGLE, SLIDE TUBE, RIGHT |
| 12 | 1 | 6A01339-029 | ANGLE, SLIDE TUBE, LEFT |

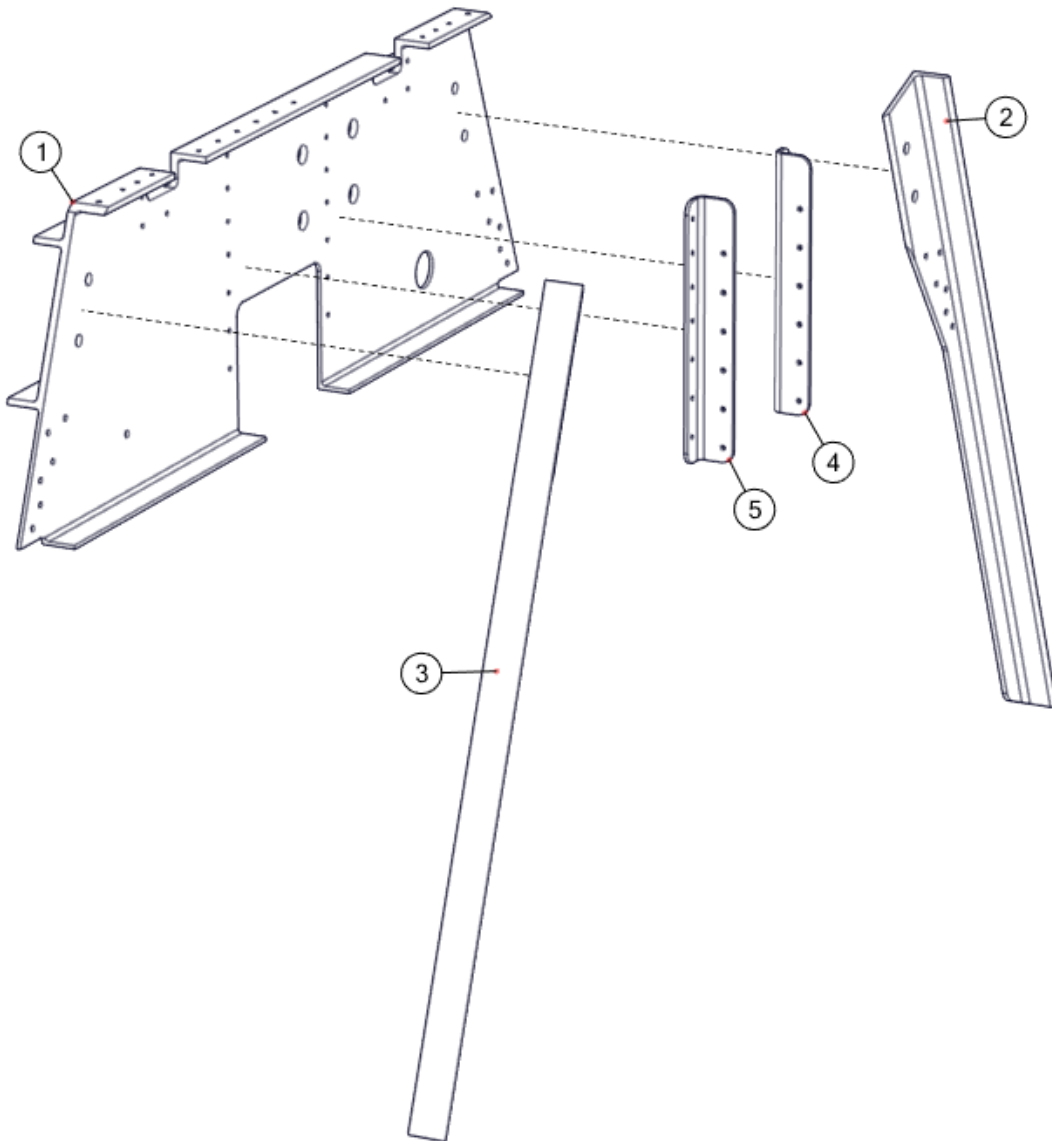
1007561 ASSEMBLY, PANEL, FRONT, AFT SPREADER BAR, LEFT FLOAT



1007561 ASSEMBLY, PANEL, FRONT, AFT SPREADER BAR, LEFT FLOAT

| ITEM | QTY | PART NO. | PART DESCRIPTION |
|------|-----|----------|---|
| 1 | 1 | 1007621 | PANEL, AFT SPREADER BAR, FRONT, LEFT FLOAT |
| 2 | 1 | 1007635 | ANGLE, ATTACH, SIDE SKIN, LEFT, AFT SPREADER BAR FRONT PANEL |
| 3 | 1 | 1007636 | ANGLE, ATTACH, SIDE SKIN, RIGHT, AFT SPREADER BAR FRONT PANEL |
| 4 | 1 | 1007687 | ANGLE, ATTACH, UPPER WHEEL WELL |
| 5 | 1 | 1007688 | ANGLE, ATTACH, UPPER WHEEL WELL |

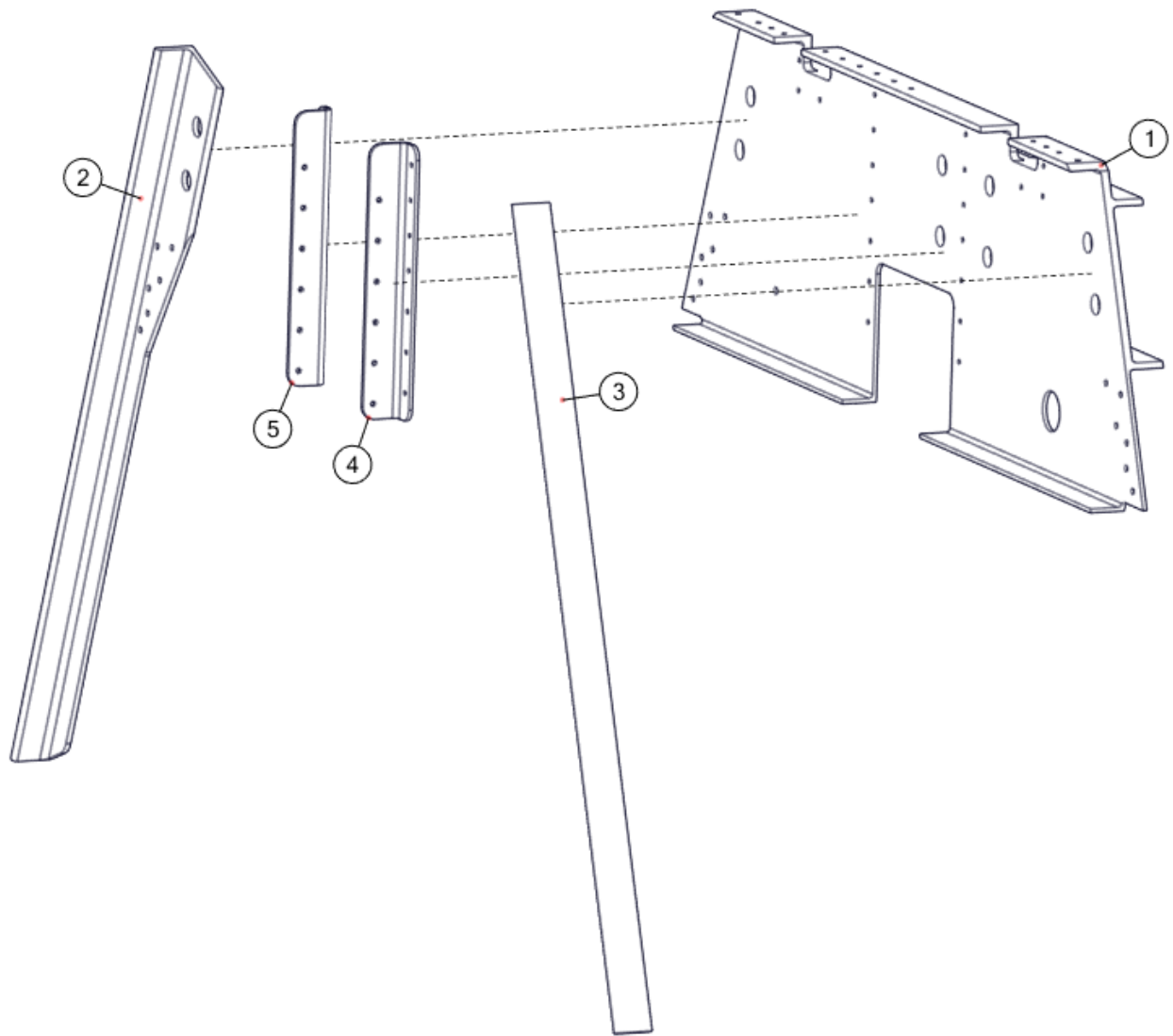
**1007560 ASSEMBLY, PANEL, FRONT,
AFT SPREADER BAR, RIGHT FLOAT**



1007560 ASSEMBLY, PANEL, FRONT, AFT SPREADER BAR, RIGHT FLOAT

| ITEM | QTY | PART NO. | PART DESCRIPTION |
|------|-----|----------|--|
| 1 | 1 | 1007622 | PANEL, AFT SPREADER BAR, REAR, RIGHT FLOAT |
| 2 | 1 | 1007635 | ANGLE, ATTACH, SIDE SKIN, LEFT, AFT SPREADER BAR REAR PANEL |
| 3 | 1 | 1007636 | ANGLE, ATTACH, SIDE SKIN, RIGHT, AFT SPREADER BAR REAR PANEL |
| 4 | 1 | 1007687 | ANGLE, ATTACH, UPPER WHEEL WELL |
| 5 | 1 | 1007688 | ANGLE, ATTACH, UPPER WHEEL WELL |

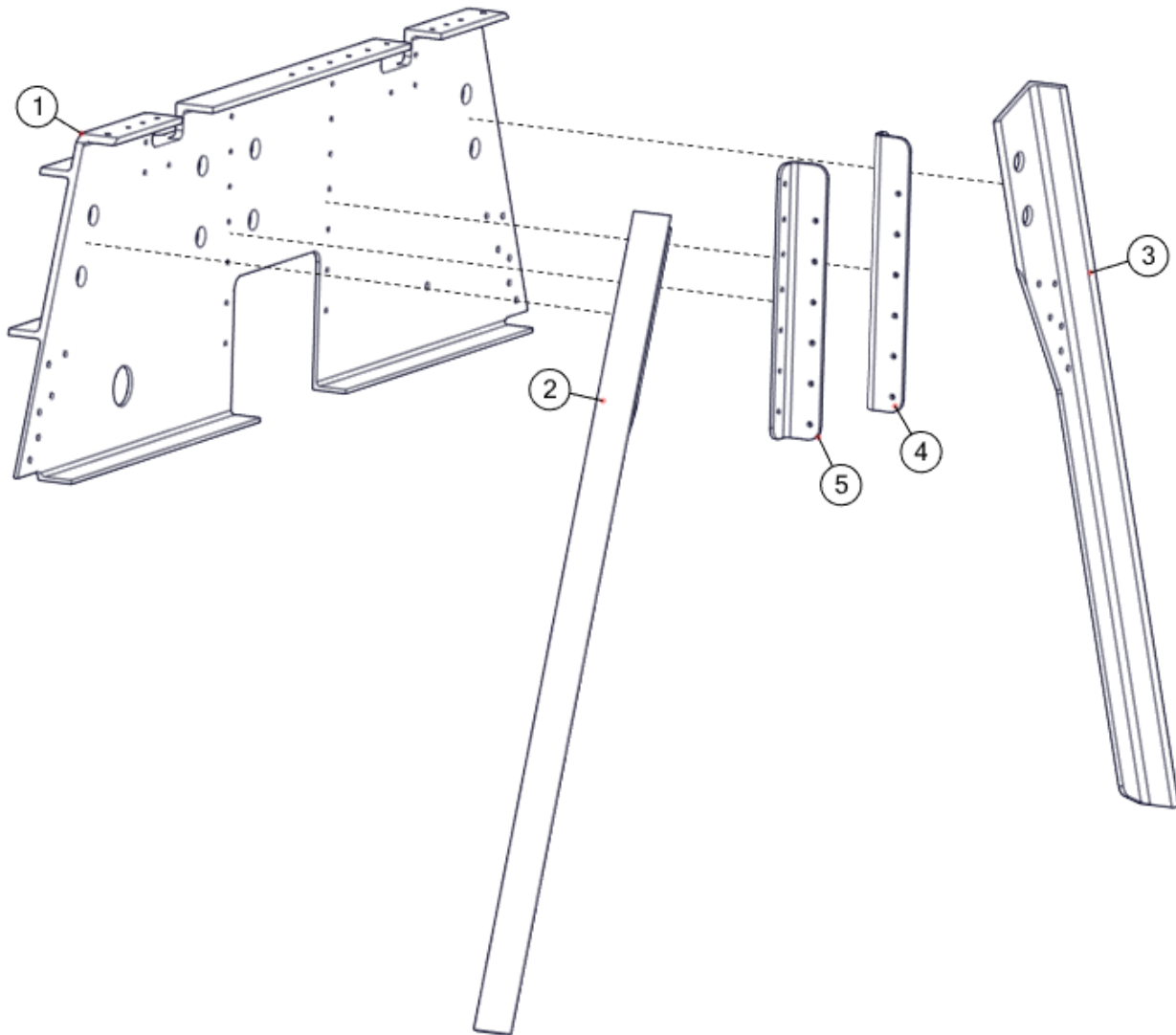
1007563 ASSEMBLY, PANEL, REAR, AFT SPREADER BAR, LEFT FLOAT



1007563 ASSEMBLY, PANEL, REAR, AFT SPREADER BAR, LEFT FLOAT

| ITEM | QTY | PART NO. | PART DESCRIPTION |
|------|-----|----------|--|
| 1 | 1 | 1007623 | PANEL, AFT SPREADER BAR, REAR, LEFT FLOAT |
| 2 | 1 | 1007633 | ANGLE, ATTACH, SIDE SKIN, LEFT, AFT SPREADER BAR REAR PANEL |
| 3 | 1 | 1007634 | ANGLE, ATTACH, SIDE SKIN, RIGHT, AFT SPREADER BAR REAR PANEL |
| 4 | 1 | 1007687 | ANGLE, ATTACH, UPPER WHEEL WELL |
| 5 | 1 | 1007688 | ANGLE, ATTACH, UPPER WHEEL WELL |

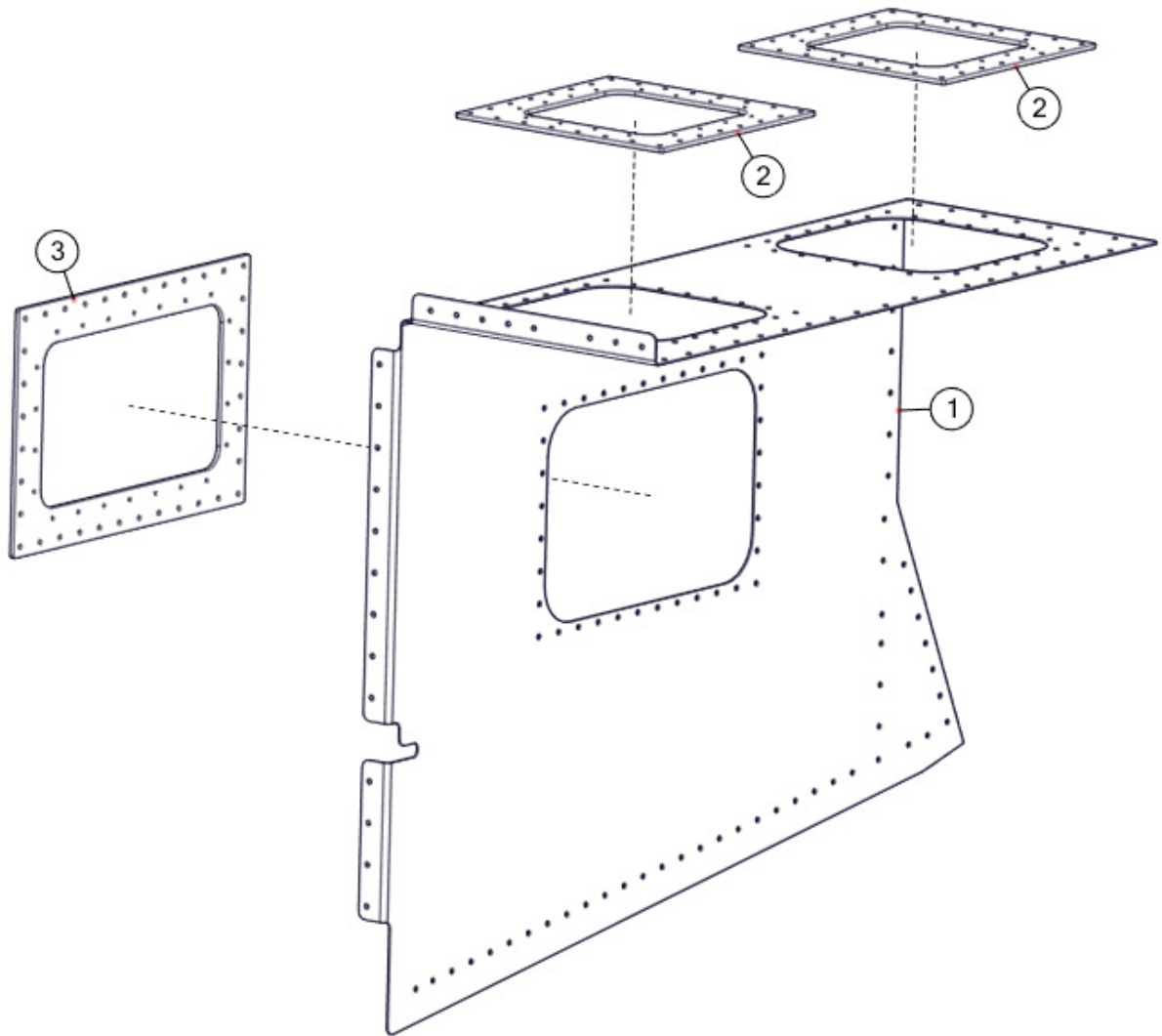
**1007562 ASSEMBLY, PANEL, REAR,
AFT SPREADER BAR, RIGHT FLOAT**



1007562 ASSEMBLY, PANEL, REAR, AFT SPREADER BAR, RIGHT FLOAT

| ITEM | QTY | PART NO. | PART DESCRIPTION |
|------|-----|----------|--|
| 1 | 1 | 1007624 | PANEL, AFT SPREADER BAR, REAR, RIGHT FLOAT |
| 2 | 1 | 1007633 | ANGLE, ATTACH, SIDE SKIN, LEFT, AFT SPREADER BAR REAR PANEL |
| 3 | 1 | 1007634 | ANGLE, ATTACH, SIDE SKIN, RIGHT, AFT SPREADER BAR REAR PANEL |
| 4 | 1 | 1007687 | ANGLE, ATTACH, UPPER WHEEL WELL |
| 5 | 1 | 1007688 | ANGLE, ATTACH, UPPER WHEEL WELL |

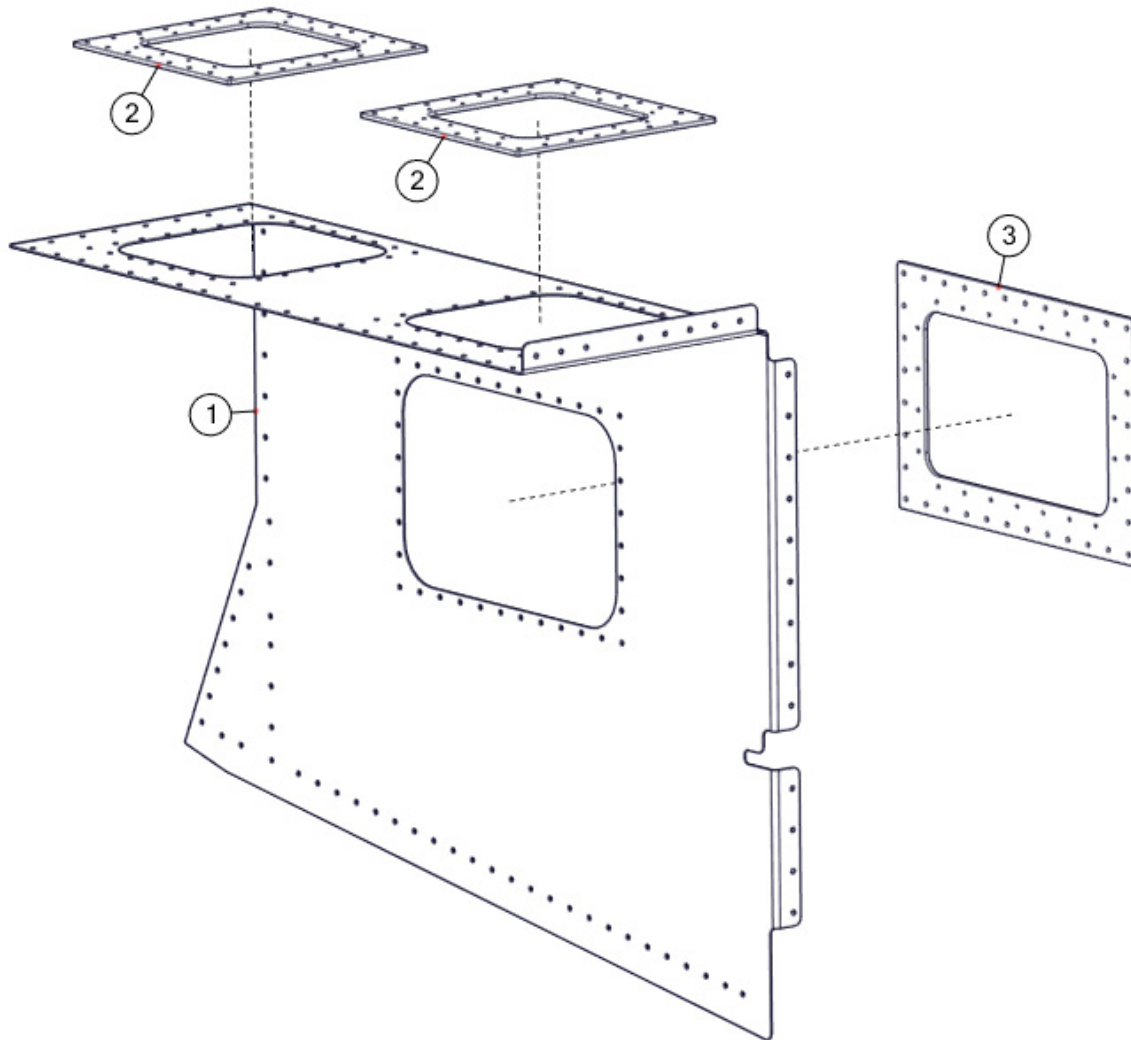
1007564 ASSEMBLY, PANEL, MAIN, RIGHT, WHEEL WELL



1007564 ASSEMBLY, PANEL, MAIN, RIGHT, WHEEL WELL

| ITEM | QTY | PART NO. | PART DESCRIPTION |
|------|-----|-------------|---|
| 1 | 1 | 1007626 | PANEL, MAIN, RIGHT, WHEEL WELL |
| 2 | 1 | 6A01156-013 | INSPECTION COVER REINFORCEMENT, WHEEL WELL, SMALL |
| 3 | 1 | 6A01156-014 | INSPECTION COVER REINFORCEMENT, WHEEL WELL, LARGE |

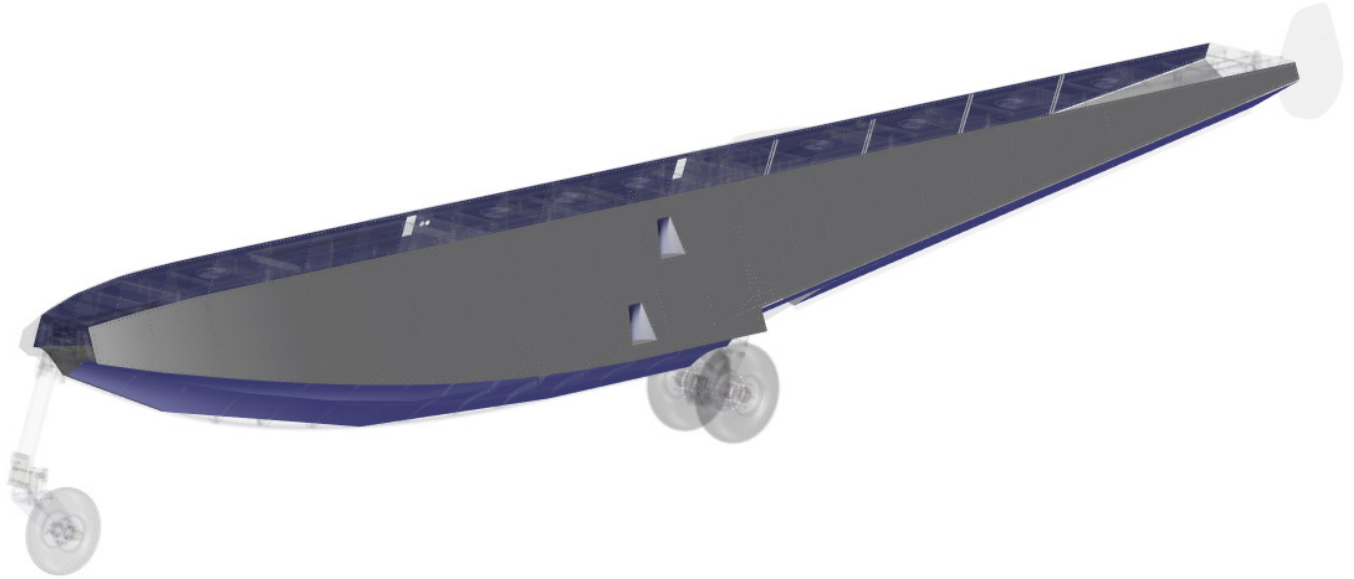
1007565 ASSEMBLY, PANEL, MAIN, LEFT, WHEEL WELL



1007565 ASSEMBLY, PANEL, MAIN, LEFT, WHEEL WELL

| ITEM | QTY | PART NO. | PART DESCRIPTION |
|------|-----|-------------|---|
| 1 | 1 | 1007626 | PANEL, MAIN, RIGHT, WHEEL WELL |
| 2 | 1 | 6A01156-013 | INSPECTION COVER REINFORCEMENT, WHEEL WELL, SMALL |
| 3 | 1 | 6A01156-014 | INSPECTION COVER REINFORCEMENT, WHEEL WELL, LARGE |

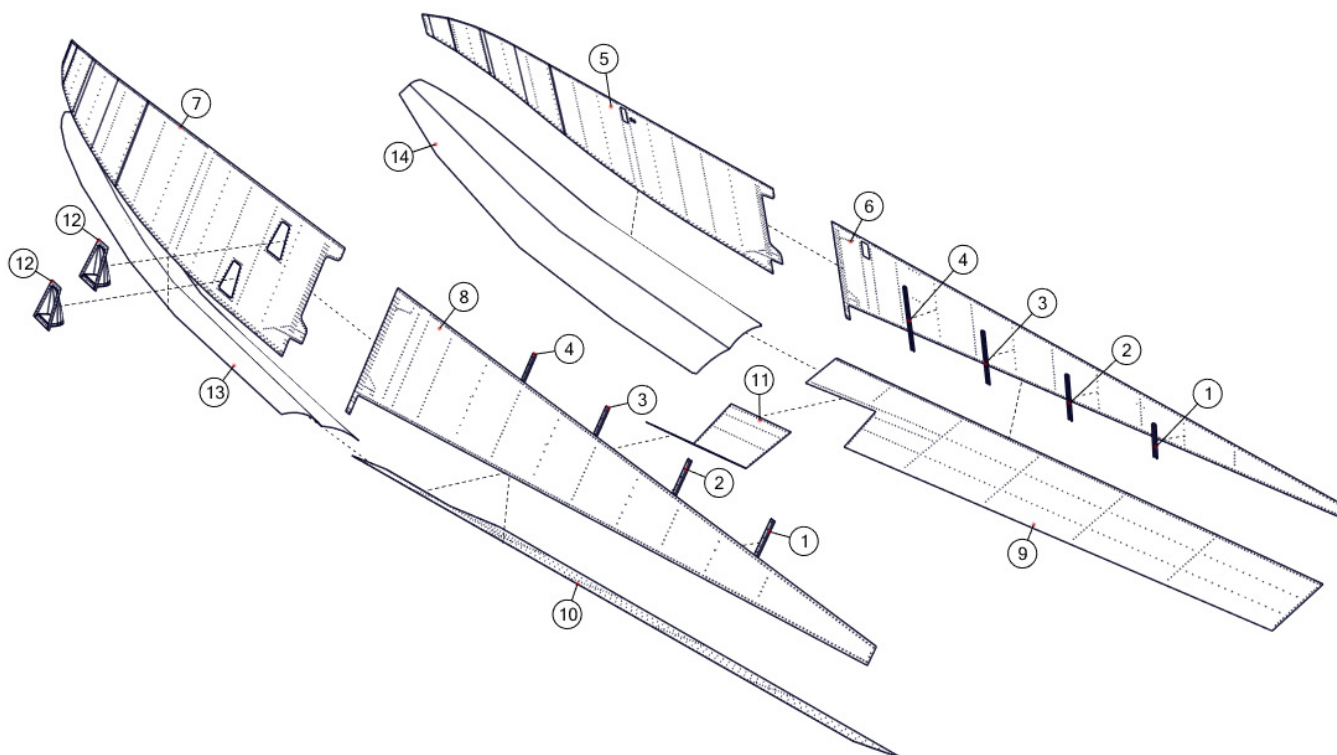
SECTION 4 SKIN ASSEMBLY



CONTENTS

| | |
|----------------------------------|----|
| SKIN ASSEMBLY, LEFT FLOAT..... | 62 |
| SKIN ASSEMBLY, RIGHT FLOAT | 63 |

SKIN ASSEMBLY, LEFT FLOAT

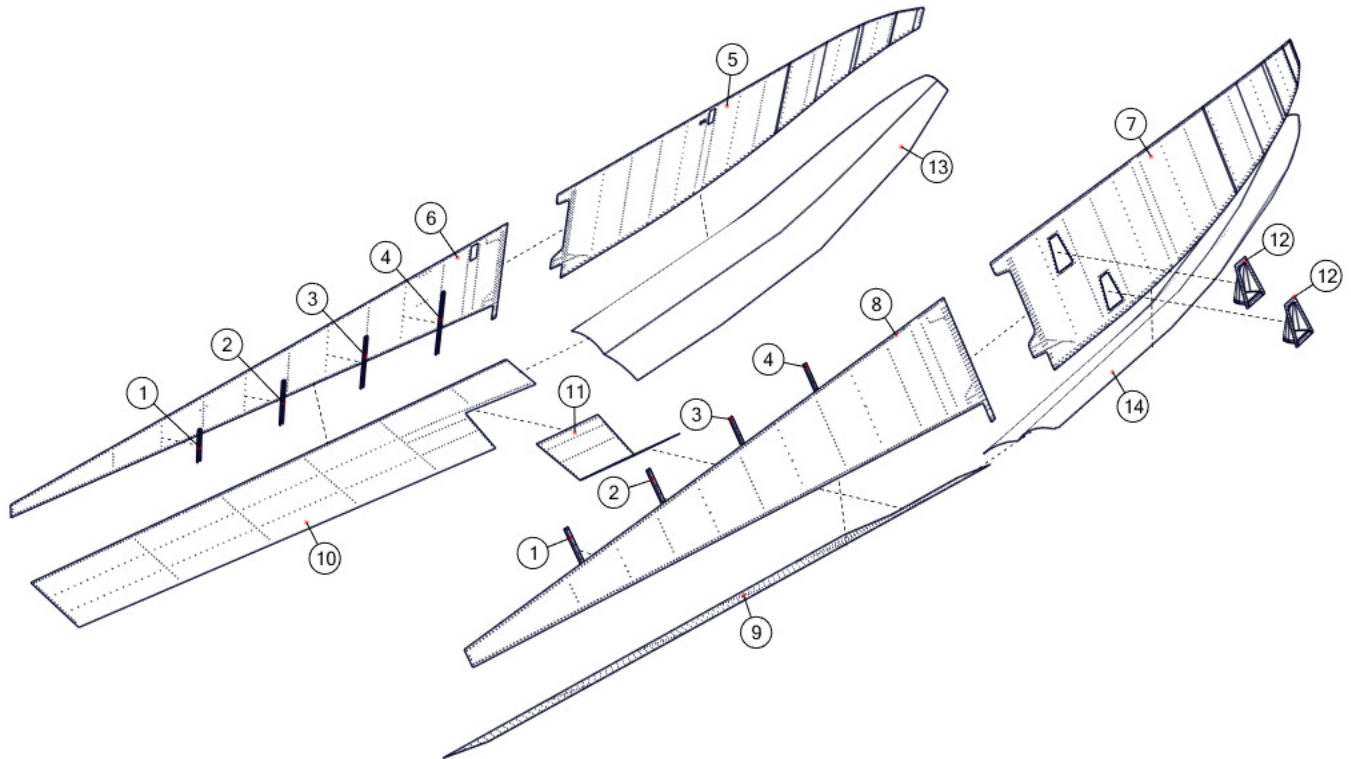


SKIN ASSEMBLY, LEFT FLOAT

| ITEM | QTY | PART NO. | PART DESCRIPTION |
|------|-----|-------------|---|
| 1 | 2 | 1007532 | STIFFENER, SIDE SKIN, AFT |
| 2 | 2 | 1007533 | STIFFENER, SIDE SKIN, AFT |
| 3 | 2 | 1007534 | STIFFENER, SIDE SKIN, AFT |
| 4 | 2 | 1007535 | STIFFENER, SIDE SKIN, AFT |
| 5 | 1 | 1007539 | SKIN, SIDE, FORWARD, INBOARD, LEFT FLOAT |
| 6 | 1 | 1007541 | SKIN, SIDE, AFT, INBOARD, LEFT FLOAT |
| 7 | 1 | 1007543 | SKIN, SIDE, FORWARD, OUTBOARD, LEFT FLOAT |
| 8 | 1 | 1007545 | SKIN, SIDE, AFT, OUTBOARD, LEFT FLOAT |
| 9 | 1 | 1007660 | SKIN, BOTTOM, AFT, RIGHT |
| 10 | 1 | 1007661 | SKIN, BOTTOM, AFT, LEFT |
| 11 | 1 | 1007693 | SKIN, BOTTOM, AFT, CENTER |
| 12 | 2 | 3A01000-005 | WELDMENT, STEP POCKET (SOLD AS ASSEMBLY ONLY) |
| 13 | 1 | 6A01151-051 | SKIN, BOTTOM, FORWARD, LEFT |
| 14 | 1 | 6A01151-052 | SKIN, BOTTOM, FORWARD, RIGHT |

*See [Nomenclature System](#) section when ordering assemblies

SKIN ASSEMBLY, RIGHT FLOAT



SKIN ASSEMBLY, RIGHT FLOAT

| ITEM | QTY | PART NO. | PART DESCRIPTION |
|------|-----|-------------|---|
| 1 | 2 | 1007532 | STIFFENER, SIDE SKIN, AFT |
| 2 | 2 | 1007533 | STIFFENER, SIDE SKIN, AFT |
| 3 | 2 | 1007534 | STIFFENER, SIDE SKIN, AFT |
| 4 | 2 | 1007535 | STIFFENER, SIDE SKIN, AFT |
| 5 | 1 | 1007538 | SKIN, SIDE, FORWARD, INBOARD, RIGHT FLOAT |
| 6 | 1 | 1007540 | SKIN, SIDE, AFT, INBOARD, RIGHT FLOAT |
| 7 | 1 | 1007542 | SKIN, SIDE, FORWARD, OUTBOARD, RIGHT FLOAT |
| 8 | 1 | 1007544 | SKIN, SIDE, AFT, OUTBOARD, RIGHT FLOAT |
| 9 | 1 | 1007660 | SKIN, BOTTOM, AFT, RIGHT |
| 10 | 1 | 1007661 | SKIN, BOTTOM, AFT, LEFT |
| 11 | 1 | 1007693 | SKIN, BOTTOM, AFT, CENTER |
| 12 | 2 | 3A01000-005 | WELDMENT, STEP POCKET (SOLD AS ASSEMBLY ONLY) |
| 13 | 1 | 6A01151-051 | SKIN, BOTTOM, FORWARD, LEFT |
| 14 | 1 | 6A01151-052 | SKIN, BOTTOM, FORWARD, RIGHT |

*See [Nomenclature System](#) section when ordering assemblies

THIS PAGE INTENTIONALLY LEFT BLANK

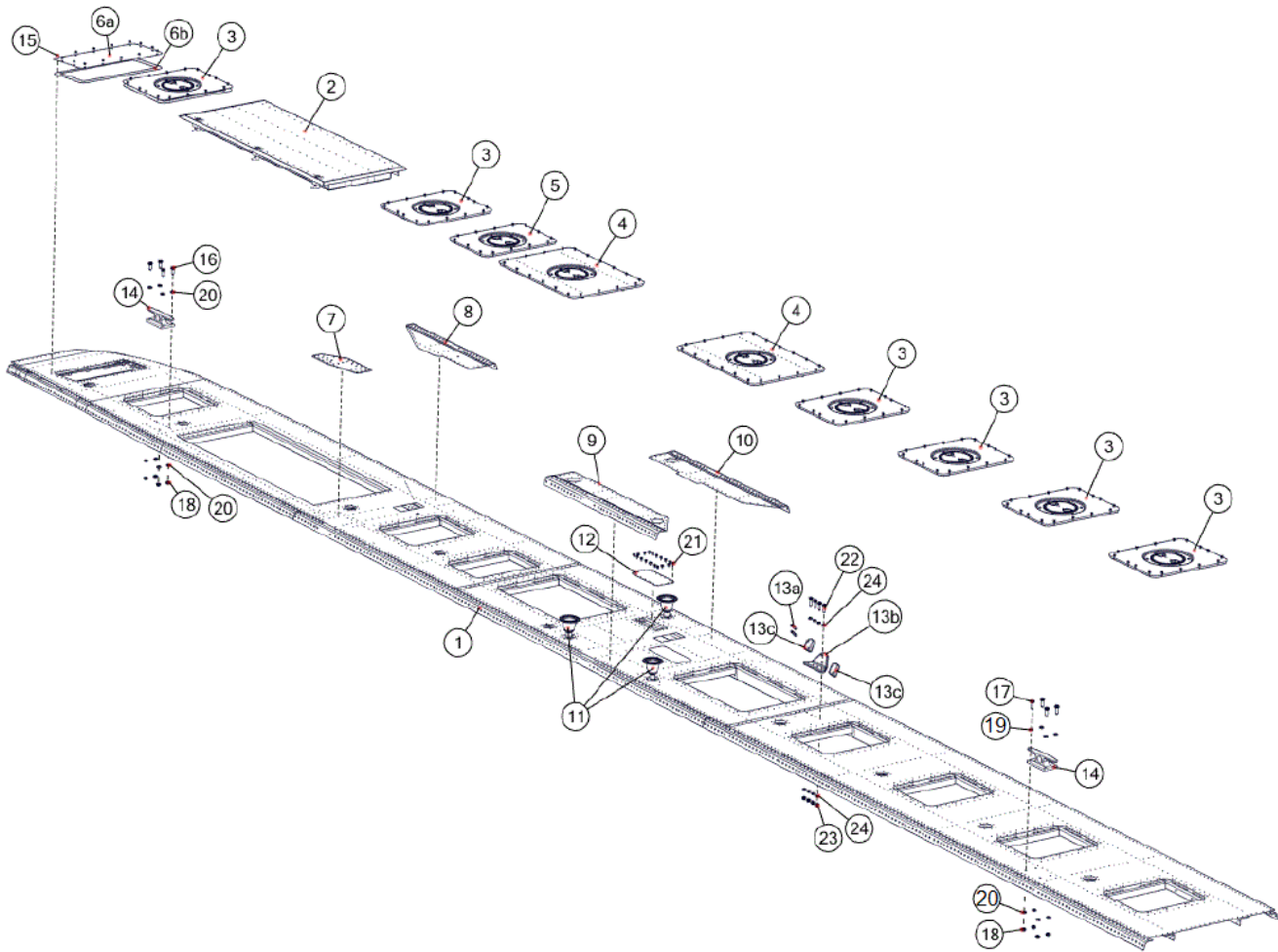
SECTION 5 TOP DECK



CONTENTS

| | |
|--|----|
| TOP DECK ASSEMBLY, LEFT FLOAT | 66 |
| TOP DECK ASSEMBLY, RIGHT FLOAT | 68 |
| 1007531 ASSEMBLY, TOP DECK, LEFT FLOAT | 70 |
| 1007530 ASSEMBLY, TOP DECK, RIGHT FLOAT | 72 |
| 1007780 ASSEMBLY, BAGGAGE DOOR | 74 |
| 1007797 ASSEMBLY, COVER, ACCESS, TOP DECK, 10 BY 12..... | 75 |
| 1007798 ASSEMBLY, COVER, ACCESS, TOP DECK, 17.5 BY 12..... | 76 |
| 1007799 ASSEMBLY, COVER, ACCESS, TOP DECK, 9 BY 12..... | 77 |

TOP DECK ASSEMBLY, LEFT FLOAT

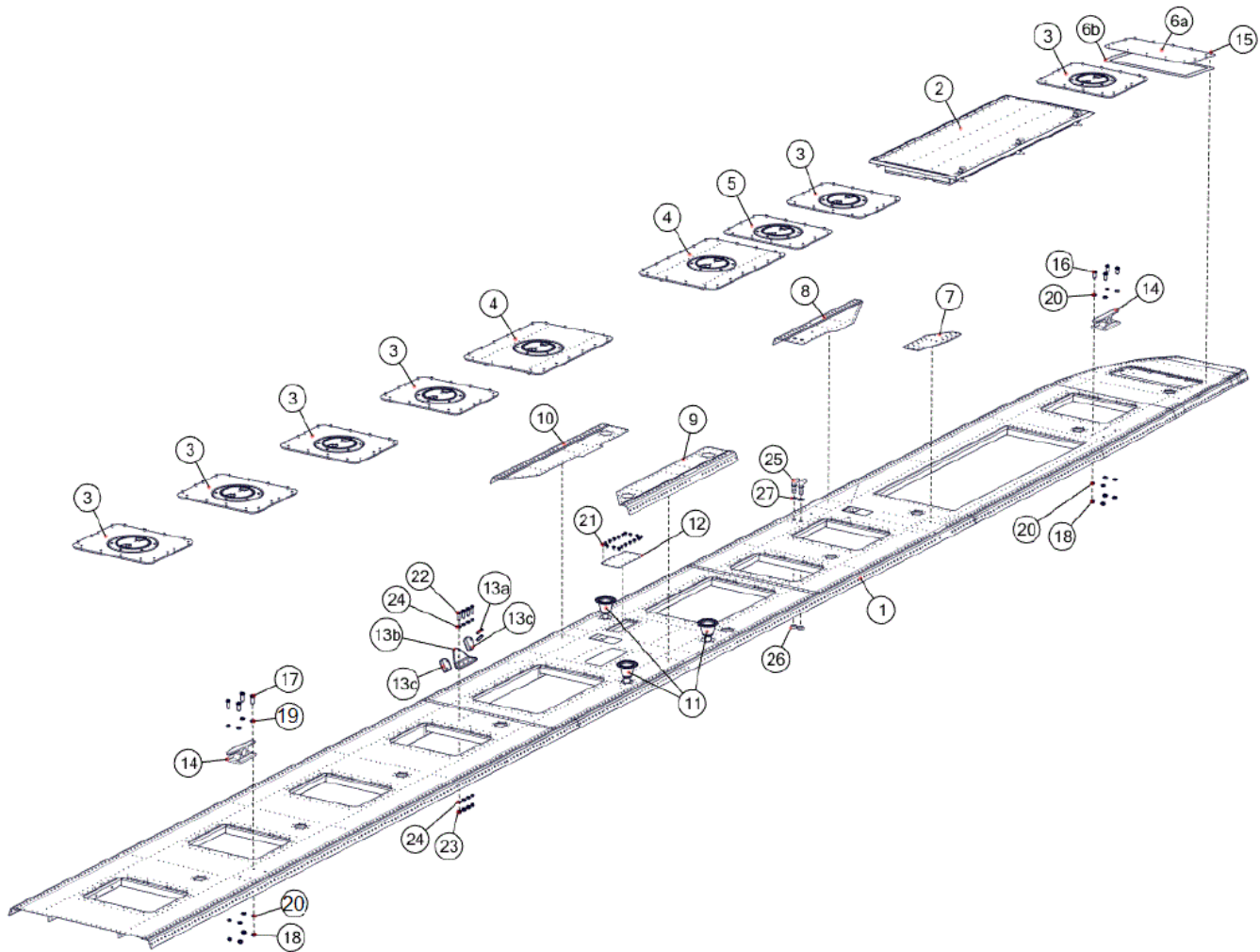


TOP DECK ASSEMBLY, LEFT FLOAT

| ITEM | QTY | PART NO. | PART DESCRIPTION |
|------|-----|---------------|--|
| 1 | 1 | 1007531 | ASSEMBLY, TOP DECK, LEFT FLOAT |
| 2 | 1 | 1007780 | ASSEMBLY, BAGGAGE DOOR |
| 3 | 6 | 1007797 | ASSEMBLY, COVER, ACCESS, TOP DECK, 10 BY 12 |
| 4 | 2 | 1007798 | ASSEMBLY, COVER, ACCESS, TOP DECK, 7.5 BY 12 |
| 5 | 1 | 1007799 | ASSEMBLY, COVER, ACCESS, TOP DECK, 9 BY 12 |
| 6* | 1 | 1007815 | ASSEMBLY, COVER, ACCESS, TOP DECK, 7.5 BY 13.75 |
| 6a | 1 | 1007813 | PANEL, COVER, ACCESS, 7.5 BY 13.75 |
| 6b | 1 | 1007814 | SEAL, COVER, ACCESS, 7.5 BY 13.75 |
| 7 | 1 | 1007827 | DOUBLER, FORWARD, OUTBOARD, TOP DECK, LEFT FLOAT |
| 8 | 1 | 1007829 | DOUBLER, FORWARD, INBOARD, TOP DECK, LEFT FLOAT |
| 9 | 1 | 100783 | DOUBLER, AFT, OUTBOARD, TOP DECK, LEFT FLOAT |
| 10 | 1 | 1007833 | DOUBLER, AFT, INBOARD, TOP DECK, LEFT FLOAT |
| 11 | 3 | 1011004 | ASSEMBLY, CUP, PUMPOUT, DUCKBILL |
| | 3 | 4A01749-001 | CUP, PUMP OUT |
| | 3 | 1011808 | RETAINER, VALVE, DUCKBILL, PUMPOUT PLUG |
| 12 | 1 | 6A01008-058 | INSPECTION COVER, TOP SKIN |
| 13* | 1 | 6A02000-125 | ASSEMBLY, FITTING, STEP STRUT, LOWER, LEFT |
| 13a | 2 | 1001922 | ROLL PIN |
| 13b | 1 | 6A02231-001 | FITTING, STEP STRUT, LOWER |
| 13c | 2 | 6A02607-001 | SPACER, BRACKET, STEP STRUT |
| 14 | 2 | 6A01213-003 | CLEAT, TIE DOWN |
| 15 | 164 | MS24693-S50 | SCREW, ACCESS COVER |
| 16 | 4 | AN4-7A | BOLT |
| 17 | 4 | AN4-7A | BOLT |
| 18 | 8 | MS21083N4 | NUT |
| 19 | 4 | NAS1149D0416J | WASHER |
| 20 | 12 | NAS1149D0463 | WASHER |
| 21 | 20 | AN526-632R4 | SCREW |
| 22 | 4 | AN3-7A | BOLT |
| 23 | 4 | MS21044N3 | NUT |
| 24 | 8 | NAS1149D0363J | WASHER |

*See [Nomenclature System](#) section when ordering assemblies

TOP DECK ASSEMBLY, RIGHT FLOAT



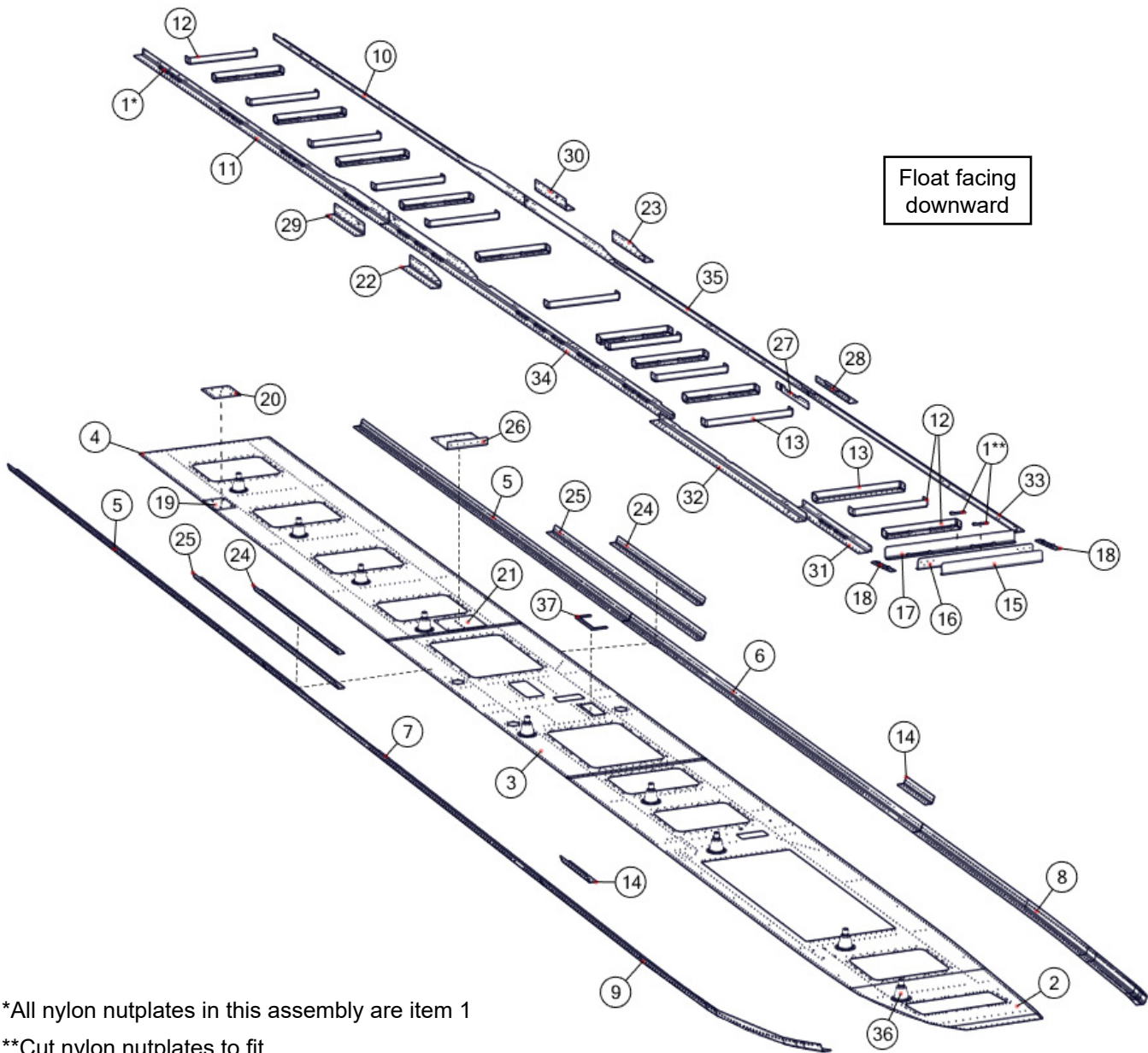
PARTS MANUAL FOR RIVETED
WIPLINE MODEL 6100 AMPHIBIAN FLOATS SERIAL NUMBERS 61500 AND UP

TOP DECK ASSEMBLY, RIGHT FLOAT

| ITEM | QTY | PART NO. | PART DESCRIPTION |
|------|-----|---------------|---|
| 1 | 1 | 1007530 | ASSEMBLY, TOP DECK, RIGHT FLOAT |
| 2 | 1 | 1007780 | ASSEMBLY, BAGGAGE DOOR |
| 3 | 6 | 1007797 | ASSEMBLY, COVER, ACCESS, TOP DECK, 10 BY 12 |
| 4 | 2 | 1007798 | ASSEMBLY, COVER, ACCESS, TOP DECK, 7.5 BY 12 |
| 5 | 1 | 1007799 | ASSEMBLY, COVER, ACCESS, TOP DECK, 9 BY 12 |
| 6* | 1 | 1007815 | ASSEMBLY, COVER, ACCESS, TOP DECK, 7.5 BY 13.75 |
| 6a | 1 | 1007813 | PANEL, COVER, ACCESS, 7.5 BY 13.75 |
| 6b | 1 | 1007814 | SEAL, COVER, ACCESS, 7.5 BY 13.75 |
| 7 | 1 | 1007828 | DOUBLER, FORWARD, OUTBOARD, TOP DECK, RIGHT FLOAT |
| 8 | 1 | 1007830 | DOUBLER, FORWARD, INBOARD, TOP DECK, RIGHT FLOAT |
| 9 | 1 | 1007832 | DOUBLER, AFT, OUTBOARD, TOP DECK, RIGHT FLOAT |
| 10 | 1 | 1007834 | DOUBLER, AFT, INBOARD, TOP DECK, RIGHT FLOAT |
| 11 | 3 | 1011004 | ASSEMBLY, CUP, PUMPOUT, DUCKBILL |
| | 3 | 4A01749-001 | CUP, PUMP OUT |
| | 3 | 1011808 | RETAINER, VALVE, DUCKBILL, PUMPOUT PLUG |
| 12 | 1 | 6A01008-058 | INSPECTION COVER, TOP SKIN |
| 13* | 1 | 6A02000-126 | ASSEMBLY, FITTING, STEP STRUT, LOWER, RIGHT |
| 13a | 2 | 1001922 | ROLL PIN |
| 13b | 1 | 6A02231-001 | FITTING, STEP STRUT, LOWER |
| 13c | 2 | 6A02607-001 | SPACER, BRACKET, STEP STRUT |
| 14 | 2 | 6A01213-003 | CLEAT, TIE DOWN |
| 15 | 164 | MS24693-S50 | SCREW, ACCESS COVER |
| 16 | 4 | AN4-7A | BOLT |
| 17 | 4 | AN4-7A | BOLT |
| 18 | 8 | MS21083N4 | NUT |
| 19 | 4 | NAS1149D0416J | WASHER |
| 20 | 12 | NAS1149D0463J | WASHER |
| 21 | 20 | AN526-632R4 | SCREW |
| 22 | 4 | AN3-7A | BOLT |
| 23 | 4 | MS21044N3 | NUT |
| 24 | 8 | NAS1149D0363J | WASHER |
| 25 | 2 | AN833-5D | FITTING, HYDRAULIC, ELBOW |
| 26 | 2 | AN924-5D | JAM NUT |
| 27 | 2 | NAS1149D0863J | WASHER |

*See [Nomenclature System](#) section when ordering assemblies

1007531 ASSEMBLY, TOP DECK, LEFT FLOAT

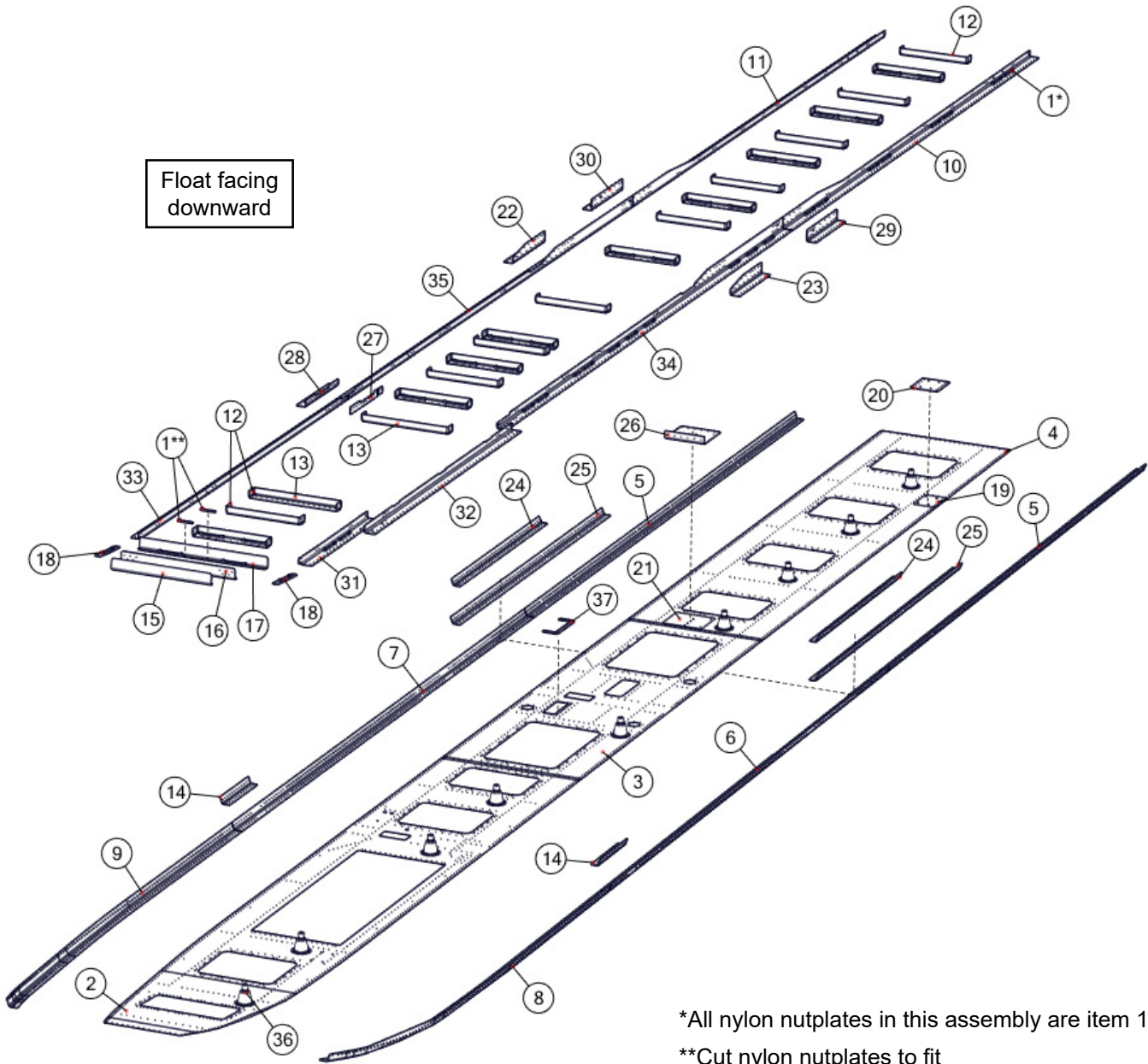


PARTS MANUAL FOR RIVETED
WIPLINE MODEL 6100 AMPHIBIAN FLOATS SERIAL NUMBERS 61500 AND UP

1007531 ASSEMBLY, TOP DECK, LEFT FLOAT

| ITEM | QTY | PART NO. | PART DESCRIPTION |
|------|-----|-------------|---|
| 1 | 84 | 1006512 | NYLON, NUTPLATE, DOUBLER |
| 2 | 1 | 1007547 | SKIN, TOP, FORWARD, LEFT FLOAT |
| 3 | 1 | 1007549 | SKIN, TOP, MIDDLE, LEFT FLOAT |
| 4 | 1 | 1007551 | SKIN, TOP, AFT, LEFT FLOAT |
| 5 | 2 | 1007640 | GUNWALL, AFT |
| 6 | 1 | 1007642 | GUNWALL, MID, RIGHT |
| 7 | 1 | 1007643 | GUNWALL, MID, LEFT |
| 8 | 1 | 1007644 | GUNWALL, FORWARD, RIGHT |
| 9 | 1 | 1007645 | GUNWALL, FORWARD, LEFT |
| 10 | 1 | 1007647 | RAIL, TOP, AFT, RIGHT |
| 11 | 1 | 1007648 | RAIL, TOP, AFT, LEFT |
| 12 | 18 | 1007658 | SUPPORT, CROSS TIE, TOP RAIL |
| 13 | 2 | 1007659 | SUPPORT, CROSS TIE, BAGGAGE, TOP RAIL |
| 14 | 2 | 1007662 | SPLICE, GUNWALL, FORWARD |
| 15 | 1 | 1007705 | STIFFENER, TOP SKIN, FORWARD |
| 16 | 1 | 1007706 | STIFFENER, ACCESS COVER, TOP SKIN, FORWARD |
| 17 | 1 | 1007707 | STIFFENER, ACCESS COVER, TOP SKIN, FORWARD |
| 18 | 2 | 1007715 | DOUBLER, ACCESS COVER, TOP SKIN, FORWARD |
| 19 | 1 | 1007718 | SPACER, DOUBLER, CLEAT, AFT |
| 20 | 1 | 1007720 | DOUBLER, CLEAT, AFT |
| 21 | 1 | 1007727 | SPACER, STEP STRUT, TOP SKIN |
| 22 | 1 | 1007810 | SPLICE, TOP RAIL, LEFT, AFT |
| 23 | 1 | 1007811 | SPLICE, TOP RAIL, RIGHT, AFT |
| 24 | 2 | 1007824 | DOUBLER, SPLICE, RAIL, TOP, AFT |
| 25 | 2 | 1007825 | SPLICE, GUNWALL, AFT |
| 26 | 1 | 1007839 | DOUBLER, STEP STRUT, TOP SKIN, LEFT FLOAT |
| 27 | 1 | 1007841 | DOUBLER, SPLICE, TOP RAIL, INBOARD, LEFT FLOAT |
| 28 | 1 | 1007843 | SPLICE, RAIL, TOP, FORWARD, INBOARD, LEFT FLOAT |
| 29 | 1 | 1007845 | SPLICE, RAIL, TOP, AFT, OUTBOARD, LEFT FLOAT |
| 30 | 1 | 1007847 | SPLICE, RAIL, TOP, AFT, INBOARD, LEFT FLOAT |
| 31 | 1 | 1007849 | RAIL, TOP, FORWARD, OUTBOARD, LEFT FLOAT |
| 32 | 1 | 1007851 | RAIL, TOP, BAGGAGE, OUTBOARD, LEFT FLOAT |
| 33 | 1 | 1007853 | RAIL, TOP, FORWARD, INBOARD, LEFT FLOAT |
| 34 | 1 | 1007855 | RAIL, TOP, MID, OUTBOARD, LEFT FLOAT |
| 35 | 1 | 1007857 | RAIL, TOP, MID, INBOARD, LEFT FLOAT |
| 36 | 9 | 1011004 | ASSEMBLY, CUP, PUMPOUT, DUCKBILL |
| | 9 | 4A01749-001 | CUP, PUMP OUT |
| | 9 | 1011808 | RETAINER, VALVE, DUCKBILL, PUMPOUT PLUG |
| 37 | 1 | 6A01156-123 | REINFORCEMENT, ACCESS COVER |

1007530 ASSEMBLY, TOP DECK, RIGHT FLOAT

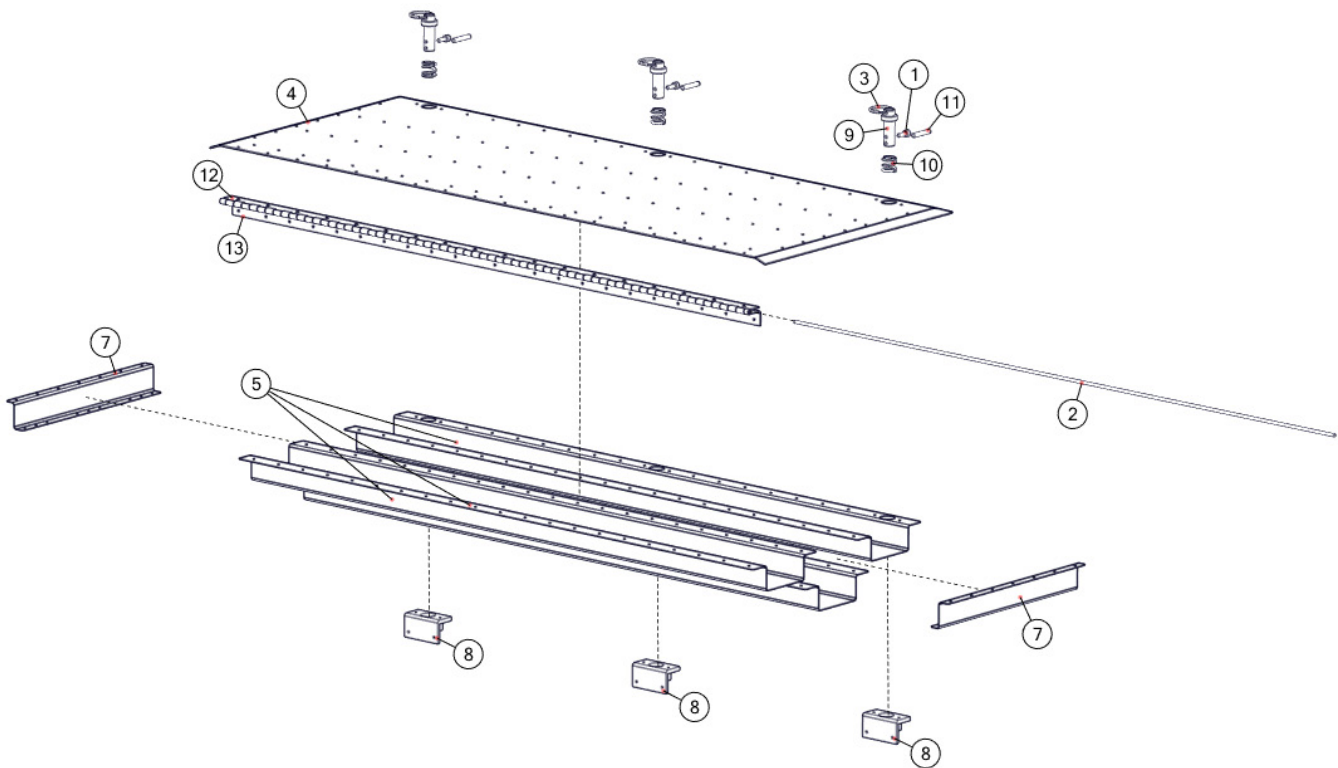


PARTS MANUAL FOR RIVETED
WIPLINE MODEL 6100 AMPHIBIAN FLOATS SERIAL NUMBERS 61500 AND UP

1007530 ASSEMBLY, TOP DECK, RIGHT FLOAT

| ITEM | QTY | PART NO. | PART DESCRIPTION |
|------|-----|-------------|--|
| 1 | 84 | 1006512 | NYLON, NUTPLATE, DOUBLER |
| 2 | 1 | 1007546 | SKIN, TOP, FORWARD, RIGHT FLOAT |
| 3 | 1 | 1007548 | SKIN, TOP, MIDDLE, RIGHT FLOAT |
| 4 | 1 | 1007550 | SKIN, TOP, AFT, RIGHT FLOAT |
| 5 | 2 | 1007640 | GUNWALL, AFT |
| 6 | 1 | 1007642 | GUNWALL, MID, RIGHT |
| 7 | 1 | 1007643 | GUNWALL, MID, LEFT |
| 8 | 1 | 1007644 | GUNWALL, FORWARD, RIGHT |
| 9 | 1 | 1007645 | GUNWALL, FORWARD, LEFT |
| 10 | 1 | 1007647 | RAIL, TOP, AFT, RIGHT |
| 11 | 1 | 1007648 | RAIL, TOP, AFT, LEFT |
| 12 | 18 | 1007658 | SUPPORT, CROSS TIE, TOP RAIL |
| 13 | 2 | 1007659 | SUPPORT, CROSS TIE, BAGGAGE, TOP RAIL |
| 14 | 2 | 1007662 | SPLICE, GUNWALL, FORWARD |
| 15 | 1 | 1007705 | STIFFENER, TOP SKIN, FORWARD |
| 16 | 1 | 1007706 | STIFFENER, ACCESS COVER, TOP SKIN, FORWARD |
| 17 | 1 | 1007707 | STIFFENER, ACCESS COVER, TOP SKIN, FORWARD |
| 18 | 2 | 1007715 | DOUBLER, ACCESS COVER, TOP SKIN, FORWARD |
| 19 | 1 | 1007718 | SPACER, DOUBLER, CLEAT, AFT |
| 20 | 1 | 1007720 | DOUBLER, CLEAT, AFT, |
| 21 | 1 | 1007727 | SPACER, STEP STRUT, TOP SKIN |
| 22 | 1 | 1007810 | SPLICE, TOP RAIL, LEFT, AFT |
| 23 | 1 | 1007811 | SPLICE, TOP RAIL, RIGHT, AFT |
| 24 | 2 | 1007824 | DOUBLER, SPLICE, RAIL, TOP, AFT |
| 25 | 2 | 1007825 | SPLICE, GUNWALL, AFT |
| 26 | 1 | 1007840 | DOUBLER, STEP STRUT, TOP SKIN, RIGHT FLOAT |
| 27 | 1 | 1007842 | DOUBLER, SPLICE, TOP RAIL, INBOARD, RIGHT FLOAT |
| 28 | 1 | 1007844 | SPLICE, RAIL, TOP, FORWARD, INBOARD, RIGHT FLOAT |
| 29 | 1 | 1007846 | SPLICE, RAIL, TOP, AFT, OUTBOARD, RIGHT FLOAT |
| 30 | 1 | 1007848 | SPLICE, RAIL, TOP, AFT, INBOARD, RIGHT FLOAT |
| 31 | 1 | 1007850 | RAIL, TOP, FORWARD, OUTBOARD, RIGHT FLOAT |
| 32 | 1 | 1007852 | RAIL, TOP, BAGGAGE, OUTBOARD, RIGHT FLOAT |
| 33 | 1 | 1007854 | RAIL, TOP, FORWARD, INBOARD, RIGHT FLOAT |
| 34 | 1 | 1007856 | RAIL, TOP, MID, OUTBOARD, RIGHT FLOAT |
| 35 | 1 | 1007858 | RAIL, TOP, MID, INBOARD, RIGHT FLOAT |
| 36 | 9 | 1011004 | ASSEMBLY, CUP, PUMPOUT, DUCKBILL |
| | 9 | 4A01749-001 | CUP, PUMP OUT |
| | 9 | 1011808 | RETAINER, VALVE, DUCKBILL, PUMPOUT PLUG |
| 37 | 1 | 6A01156-123 | REINFORCEMENT, ACCESS COVER |

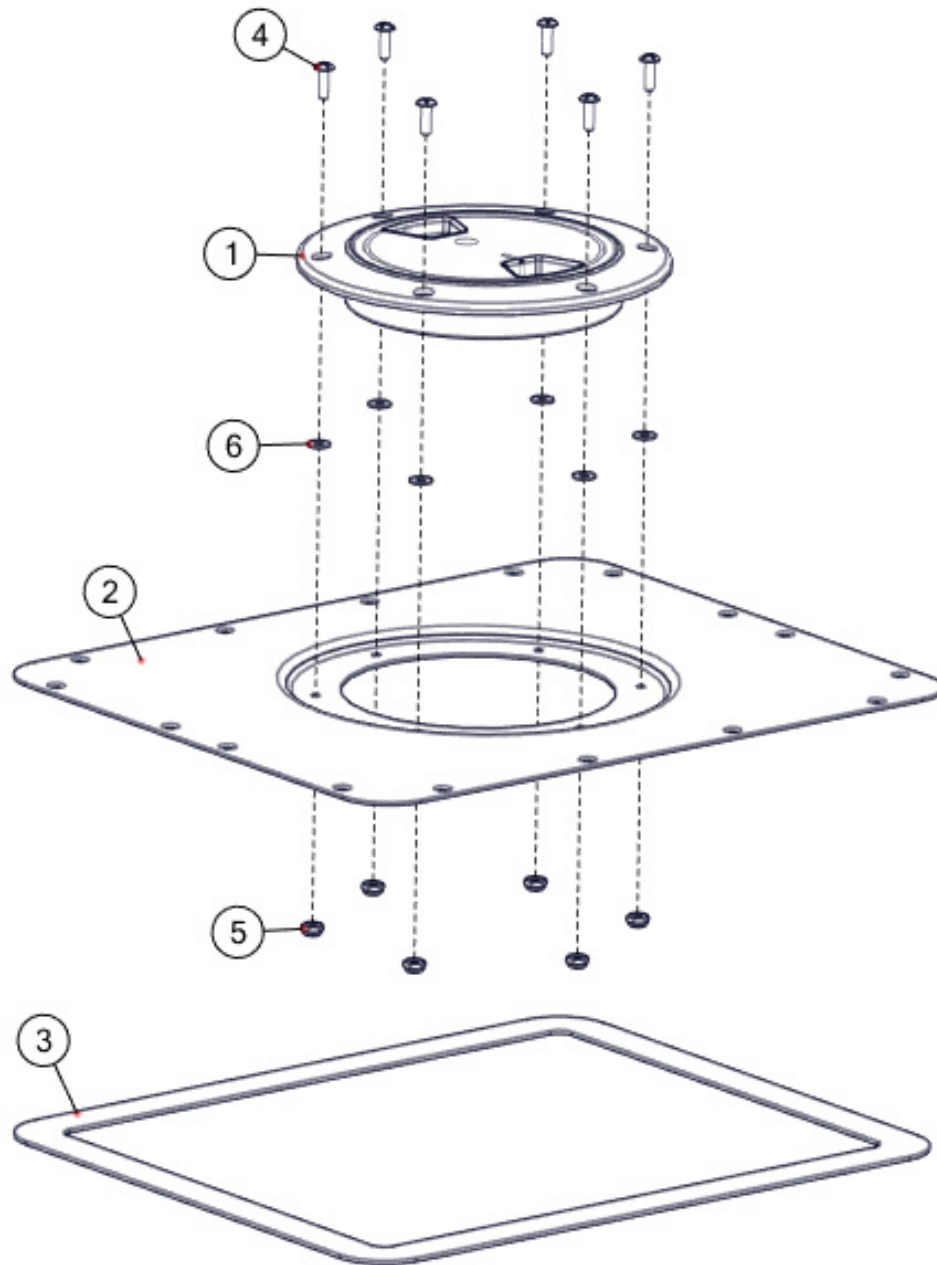
1007780 ASSEMBLY, BAGGAGE DOOR



1007780 ASSEMBLY, BAGGAGE DOOR

| ITEM | QTY | PART NO. | PART DESCRIPTION |
|------|-----|-------------|--|
| 1 | 3 | 3A01702-004 | PIN - LOCK |
| 2 | 1 | 1002186 | ROD, HINGE PIN |
| 3 | 3 | 1002663 | RING, BAGGAGE LOCK |
| 4 | 1 | 1007776 | PANEL, BAGGAGE DOOR |
| 5 | 2 | 1007777 | STIFFENER, BAGGAGE DOOR, CENTER AND REAR |
| 6 | 1 | 1007778 | STIFFENER, BAGGAGE DOOR, FRONT |
| 7 | 2 | 1007779 | STIFFENER END CAP, BAGGAGE DOOR |
| 8 | 3 | 3A01206-001 | RETAINER, BAGGAGE COMPARTMENT LOCK |
| 9 | 3 | 3A01273-004 | PIN, LATCH, BAGGAGE DOOR |
| 10 | 3 | 3A01525-003 | SPRING, BAGGAGE COVER |
| 11 | 3 | 3A01702-004 | LOCK PIN |
| 12 | 1 | 6A01740-006 | HINGE, BAGGAGE COVER, 3/4" |
| 13 | 1 | 6A01741-001 | HINGE, BAGGAGE COVER, 1.5" |

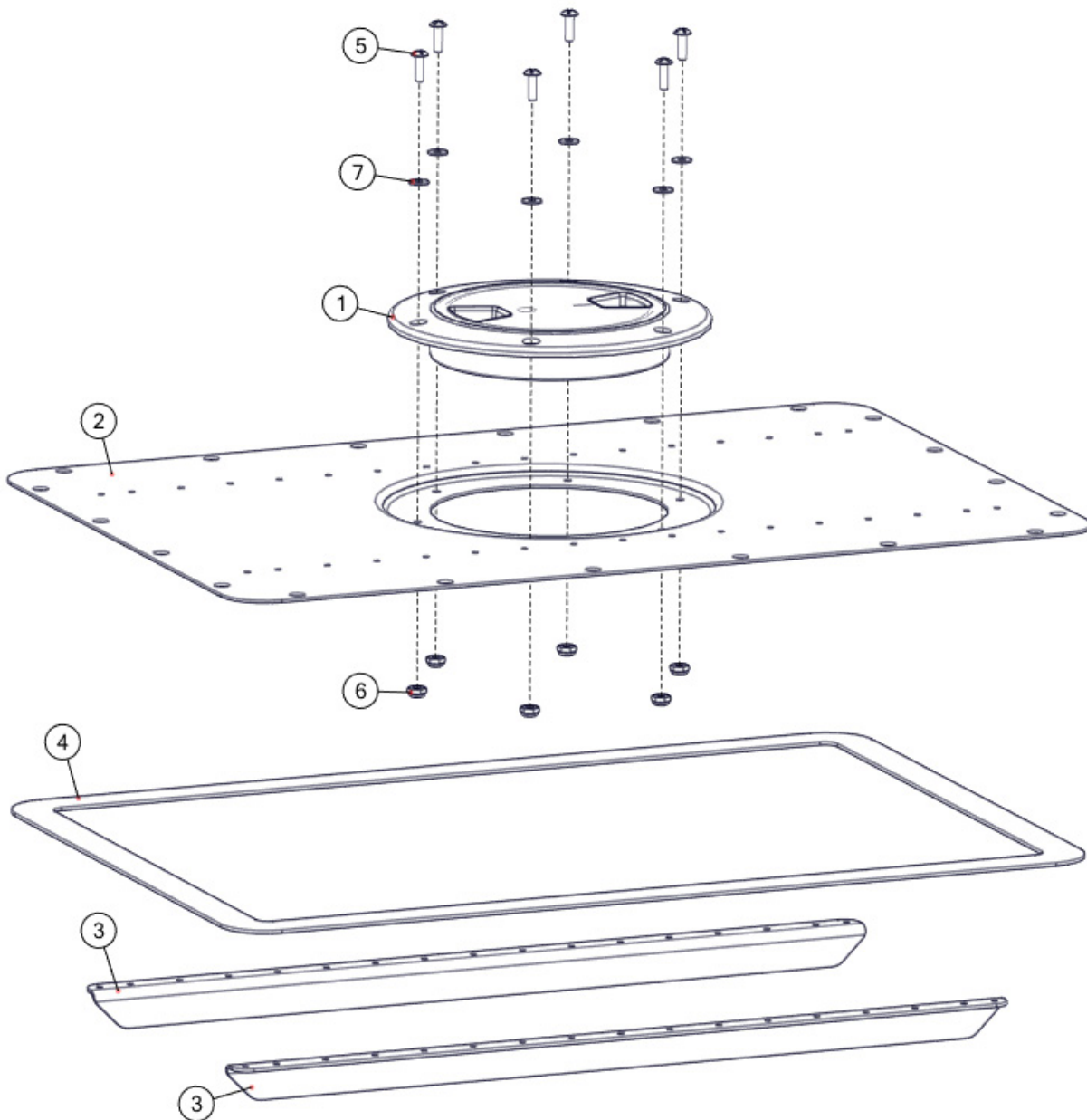
1007797 ASSEMBLY, COVER, ACCESS, TOP DECK, 10 BY 12



1007797 ASSEMBLY, COVER, ACCESS, TOP DECK, 10 BY 12

| ITEM | QTY | PART NO. | PART DESCRIPTION |
|------|-----|---------------|--------------------------------|
| 1 | 1 | 1004593 | ACCESS COVER |
| 2 | 1 | 1007770 | PANEL, COVER, ACCESS, 10 BY 12 |
| 3 | 1 | 3A01567-008 | SEAL, COVER, 10 BY 12 |
| 4 | 6 | AN526C632R8 | SCREW |
| 5 | 6 | MS21044N06 | NUT |
| 6 | 6 | NAS1149FN632P | WASHER |

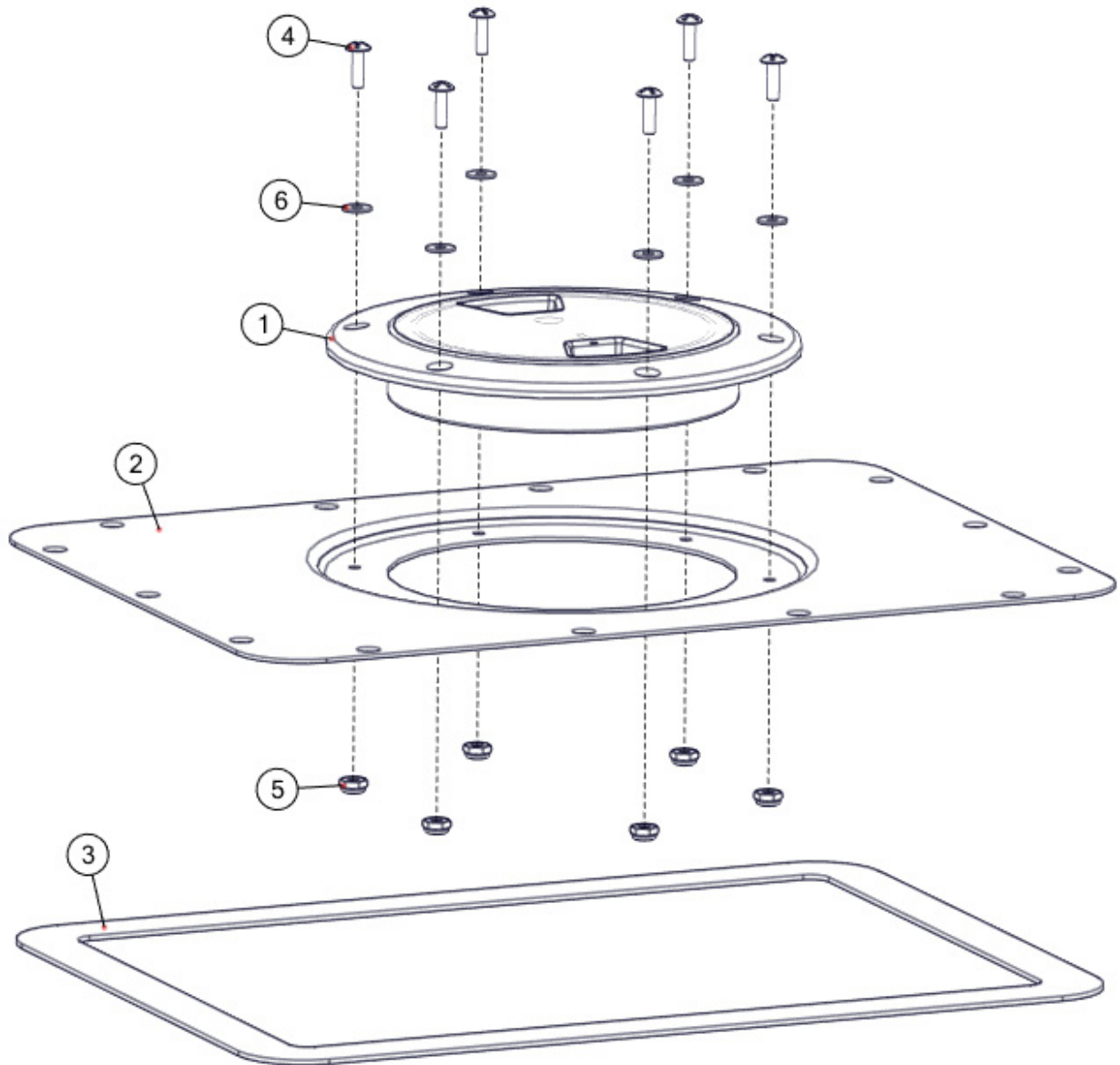
1007798 ASSEMBLY, COVER, ACCESS, TOP DECK, 17.5 BY 12



1007798 ASSEMBLY, COVER, ACCESS, TOP DECK, 17.5 BY 12

| ITEM | QTY | PART NO. | PART DESCRIPTION |
|------|-----|---------------|----------------------------------|
| 1 | 1 | 1004593 | ACCESS COVER |
| 2 | 1 | 1007771 | PANEL, COVER, ACCESS, 17.5 BY 12 |
| 3 | 2 | 1007805 | STIFFENER, ACCESS COVER |
| 4 | 1 | 6A01567-004 | SEAL, COVER, ACCESS, 17.5 BY 12 |
| 5 | 6 | AN526C632R8 | SCREW |
| 6 | 6 | MS21044N06 | NUT |
| 7 | 6 | NAS1149FN632P | WASHER |

1007799 ASSEMBLY, COVER, ACCESS, TOP DECK, 9 BY 12

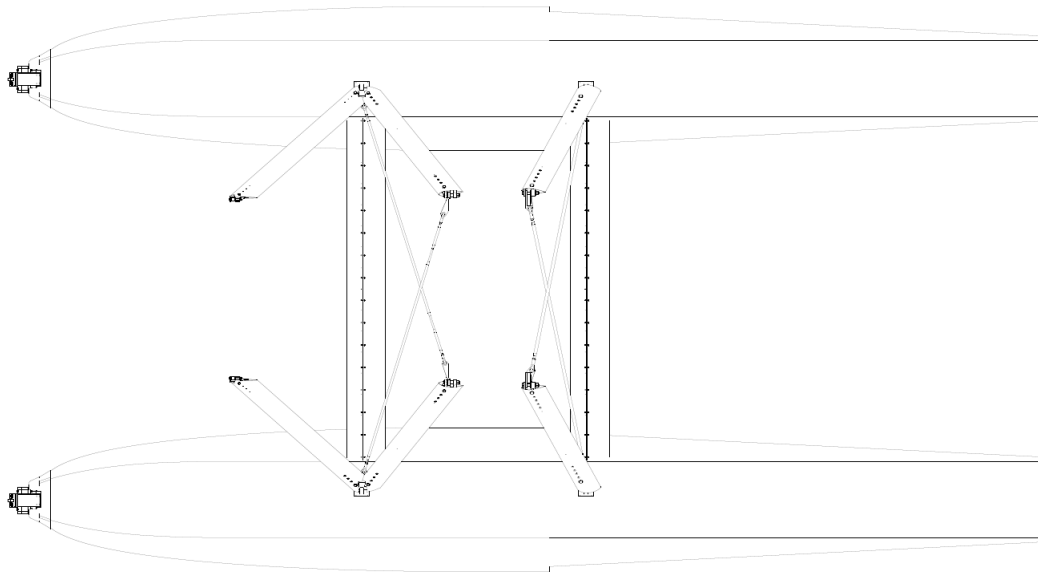


1007799 ASSEMBLY, COVER, ACCESS, TOP DECK, 9 BY 12

| ITEM | QTY | PART NO. | PART DESCRIPTION |
|------|-----|---------------|-------------------------------|
| 1 | 1 | 1004593 | ACCESS COVER |
| 2 | 1 | 1007772 | PANEL, COVER, ACCESS, 9 BY 12 |
| 3 | 1 | 6A01567-003 | SEAL, COVER, ACCESS, 9 BY 12 |
| 4 | 1 | AN526C632R8 | SCREW |
| 5 | 1 | MS21044N06 | NUT |
| 6 | 1 | NAS1149FN632P | WASHER |

THIS PAGE INTENTIONALLY LEFT BLANK

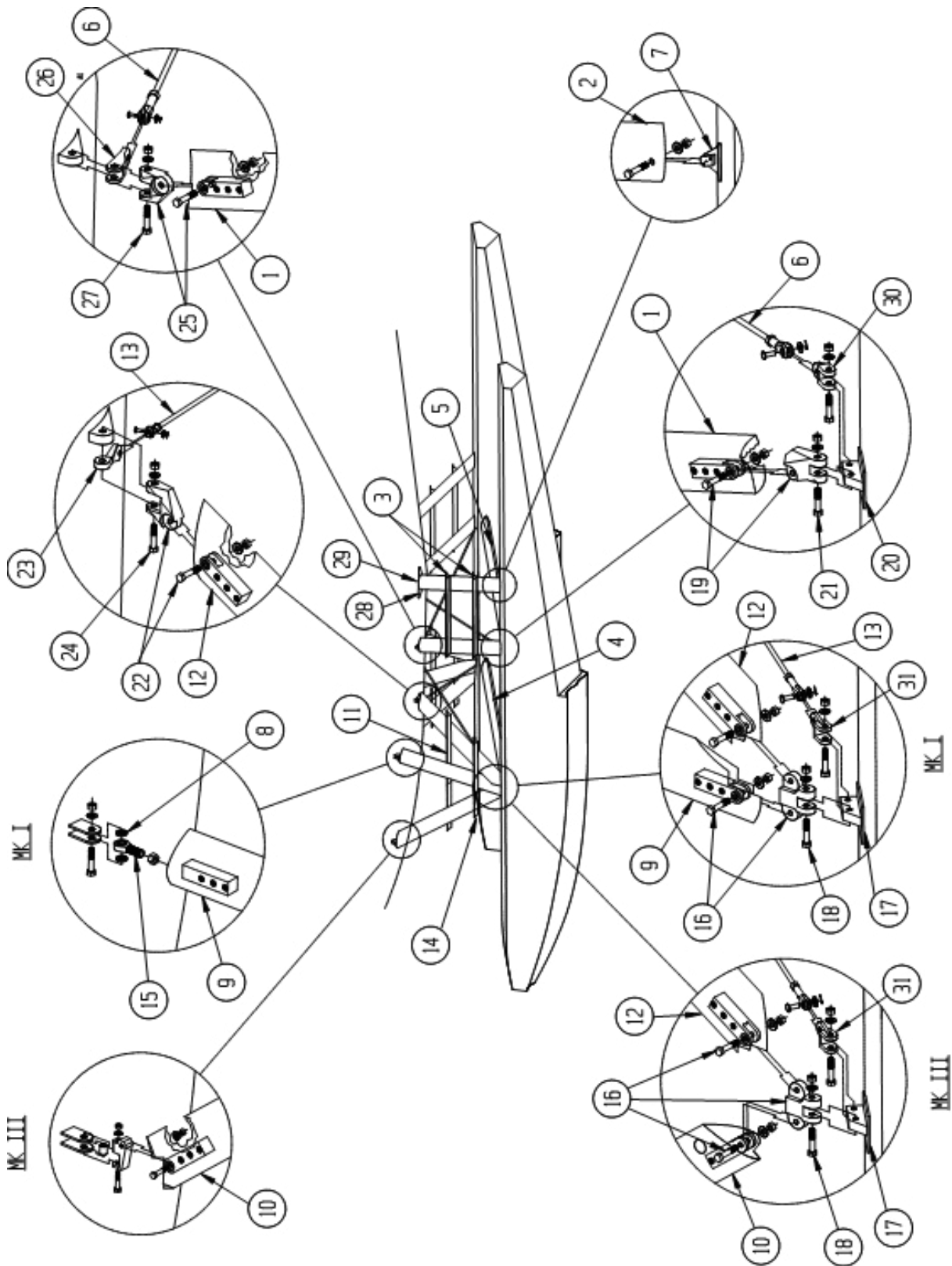
SECTION 6 STRUTS, STEPS, & SPREADER BARS



CONTENTS

| | |
|--------------------------------------|----|
| STRUTS AND STEPS - INSTALLATION..... | 80 |
| SPREADER BAR, AFT..... | 86 |
| SPREADER BAR, FWD..... | 88 |

STRUTS AND STEPS - INSTALLATION



STRUTS AND STEPS - INSTALLATION

| ITEM | QTY | PART NO. | PART DESCRIPTION |
|-------|-----|---------------|--|
| 1 LT. | - | 6A02000-023 | ASS'Y., RR. STRUT, LT. |
| | 1 | 6A02356-013 | STRUT, RR., LT. |
| | 1 | 6A02198-001 | FTG., RR. STRUT |
| | 16 | MS24694S145 | SCREW |
| 1 RT. | - | 6A02000-024 | ASS'Y., RR. STRUT, RT. |
| | 1 | 6A02356-014 | STRUT, RR., RT. |
| | 1 | 6A02198-001 | FTG., RR. STRUT |
| | 16 | MS24694S145 | SCREW |
| 2 | 1 | 6A02334-001 | STEP STRUT, LT. |
| | 1 | 6A02334-002 | STEP STRUT, RT. |
| | 4 | AN4-17A | BOLT (ATTACH) |
| | 8 | NAS1149F0432P | WASHER |
| | 4 | MS21044N4 | NUT |
| 3 | 2 | 6A02368-007 | STEP, RR., LT. |
| | 2 | 6A02368-008 | STEP, RR., RT. |
| | 4 | AN3-17A | BOLT |
| | 4 | MS21044N3 | WASHER |
| | 4 | MS21044N3 | NUT |
| 4 | 1 | 6A03000-024 | ASS'Y., SPR. BAR, FT. |
| 5 | 1 | 6A03000-007 | ASS'Y., SPR. BAR, AFT |
| 6 | - | 6A02000-027 | ASS'Y., FLY WIRE, AFT |
| | 1 | AN665-202LS | TERMINAL, TIE ROD, CLEVIS KIT, RT. STAINLESS STEEL |
| | 1 | AN316C9R | NUT, STAINLESS STEEL |
| | 1 | AN665-202RS | TERMINAL, TIE ROD, CLEVIS KIT, LT. STAINLESS STEEL |
| | 1 | AN316C9L | NUT, STAINLESS STEEL |
| | 2 | MS20392-8C31 | PIN, CLEVIS |
| | 2 | NAS1149F0963P | WASHER |
| | 2 | MS24665-444 | COTTER PIN |
| | 1 | AN679AC-7475 | FLY WIRE 74.75 IN |
| 7 | - | 6A02000-126 | ASS'Y. FITTING, STEP STRUT, RT. |
| | - | 6A02000-125 | ASS'Y. FITTING, STEP STRUT, LT. |
| | 1 | 6A02231-002 | FITTING, STEP STRUT, LOWER, RT. |
| | 1 | 6A02231-001 | FITTING, STEP STRUT, LOWER, LT. |
| | 4 | 6A02607-001 | SPACER |
| | 4 | 1001922 | ROLL PIN |
| | 8 | AN3-7A | BOLT |
| | 16 | NAS1149F0332P | WASHER |
| | 8 | MS21044N3 | NUT |
| | 2 | 6A01156-018 | BRACKET, STEP STRUT, TOP SKIN |
| | 2 | 6A01003-020 | SPACER, BRACKET, STEP STRUT, TOP SKIN |
| 8 | 4 | 6A02262-002 | BUSHING, FT. STRUT, ROD END |

STRUTS AND STEPS - INSTALLATION

| ITEM | QTY | PART NO. | PART DESCRIPTION |
|--------|-----|---------------|-----------------------------------|
| 9 LT. | - | 6A02000-029 | ASS'Y., FT. STRUT, LT. (MK I) |
| | 1 | 6A02356-017 | STRUT, FT., LT. |
| | 1 | 6A02198-003 | FTG., FT. STRUT, LWR. END |
| | 1 | 6A02198-004 | FTG., FT. STRUT, UPR. END |
| | 6 | MS24694S145 | SCREW |
| 9 RT. | - | 6A02000-030 | ASS'Y., FT. STRUT, RT. (MK I) |
| | 1 | 6A02356-018 | STRUT, FT., RT. |
| | 1 | 6A02198-003 | FTG., FT. STRUT, LWR. END |
| | 1 | 6A02198-004 | FTG., FT. STRUT, UPR. END |
| | 6 | MS24694S145 | SCREW |
| 10 LT. | - | 6A02000-031 | ASS'Y., FT. STRUT, LT. (MK III) |
| | 1 | 6A02356-019 | STRUT, FT., LT. |
| | 1 | 6A02198-003 | FTG., FT. STRUT, LWR. END |
| | 1 | 6A02198-002 | FTG., FT. STRUT, UPR. END |
| | 12 | MS246945145 | SCREW |
| | 1 | 6A02204-002 | FTG., CLEVIS, FT. STRUT, UPR. END |
| | 1 | 6A02273-003 | BUSHING, CLEVIS ATTACH |
| | 2 | AN6-32A | BOLT |
| | 2 | NAS1149F0663P | WASHER |
| | 2 | MS21044N6 | NUT |
| 10 RT. | - | 6A02000-032 | ASS'Y., FT. STRUT, RT. (MK III) |
| | 1 | 6A02356-020 | STRUT, FT., RT. |
| | 1 | 6A02198-003 | FTG., FT. STRUT, LWR. END |
| | 1 | 6A02198-002 | FTG., FT. STRUT, UPR. END |
| | 12 | MS246945145 | SCREW |
| | 1 | 6A02204-002 | FTG., CLEVIS, FT. STRUT, UPR. END |
| | 1 | 6A02273-003 | BUSHING, CLEVIS ATTACH |
| | 2 | AN6-32A | BOLT |
| | 2 | NAS1149F0663P | WASHER |
| | 2 | MS21044N6 | NUT |
| 11 | 1 | 6A02368-005 | STEP, UPR. FT. LT. (MKI) |
| | 1 | 6A02368-006 | STEP, UPR. FT. RT. (MKI) |
| | 4 | 6A02273-006 | SPACER |
| | 4 | AN3-24A | BOLT |
| | 4 | NAS1149F0363P | WASHER |
| | 4 | MS21044N4 | NUT |
| 12 LT. | - | 6A02000-033 | ASS'Y., STRUT CTR. LT. |
| | 1 | 6A02356-021 | STRUT, CTR. LT. |
| | 1 | 6A02198-003 | FTG., CTR. STRUT LWR. |
| | 1 | 6A02198-003 | FTG., CTR. STRUT UPR. |
| | 12 | MS246945145 | SCREW |

STRUTS AND STEPS - INSTALLATION

| ITEM | QTY | PART NO. | PART DESCRIPTION |
|--------|-----|---------------|--|
| 12 RT. | - | 6A02000-034 | ASS'Y., STRUT CTR. RT. |
| | 1 | 6A02356-022 | STRUT, CTR. RT. |
| | 1 | 6A02198-003 | FTG., CTR. STRUT LWR. |
| | 1 | 6A02198-003 | FTG., CTR. STRUT UP. |
| | 12 | MS246945145 | SCREW |
| 13 | 2 | 6A02000-028 | ASS'Y., FLY WIRE, FWD. |
| | 2 | AN665-115RS | TERMINAL, STAINLESS STEEL |
| | 2 | AN665-115LS | TERMINAL, STAINLESS STEEL |
| | 2 | AN316C7L | NUT, STAINLESS STEEL |
| | 2 | AN316C7R | NUT, STAINLESS STEEL |
| | 4 | MS20392-6C25 | PIN, CLEVIS |
| | 4 | NAS1149F0763P | WASHER |
| | 4 | MS24665-300 | COTTER PIN |
| 14 | 1 | 6A02368-001 | STEP, LWR. FT. LT. (MK I) |
| | 1 | 6A02368-002 | STEP, LWR. FT. RT. (MK I) |
| | 1 | 6A02368-003 | STEP, LWR. FT., LT. (MK III) |
| | 1 | 6A02368-004 | STEP, LWR. FT., RT. (MK III) |
| | 4 | AN3-24A | BOLT |
| | 4 | NAS1149F0363P | WASHER |
| | 4 | MS21044N4 | NUT |
| 15 | 2 | HMX10G | ROD END, UP., FT. STRUT (MK I) |
| | 2 | AN924-80 | JAM NUT |
| | 2 | AN6-17A | BOLT |
| | 2 | NAS1149F0663P | WASHER |
| | 2 | MS21044N6 | NUT |
| 16 | 1 | 6A02187-002 | JOINT, FT. STRUT LWR., RT. |
| | 1 | 6A02187-003 | JOINT, FT. STRUT LWR., LT. |
| | 4 | AN8-22A | BOLT |
| | 8 | NAS1149F0863P | WASHER |
| | 4 | MS21044N8 | NUT |
| 17 | 2 | 6A02362-007 | FTG., FLOAT DECK FWD. |
| | 2 | AN6-10A | BOLT |
| | 6 | AN3-7A | BOLT, 10-32, 0.5 GRIP |
| | 6 | MS21044N3 | NUT, LOCKING, REGULAR HEIGHT, 10-32 UNF |
| | 2 | MS21044N6 | NUT, LOCKING, REGULAR HEIGHT, 3/8-24 UNF |
| | 4 | NAS1149D0663J | WASHER, 0.39 ID, 0.063 THK |
| | 12 | NAS1149D0363J | WASHER, 0.203 ID, 0.063 THK |
| 18 | 2 | AN9-32A | BOLT |
| | 2 | NAS1149F0963P | WASHER |
| | 2 | MS21044N9 | NUT |
| 19 | 1 | 6A02187-004 | JOINT, RR. STRUT, LWR. RT. |

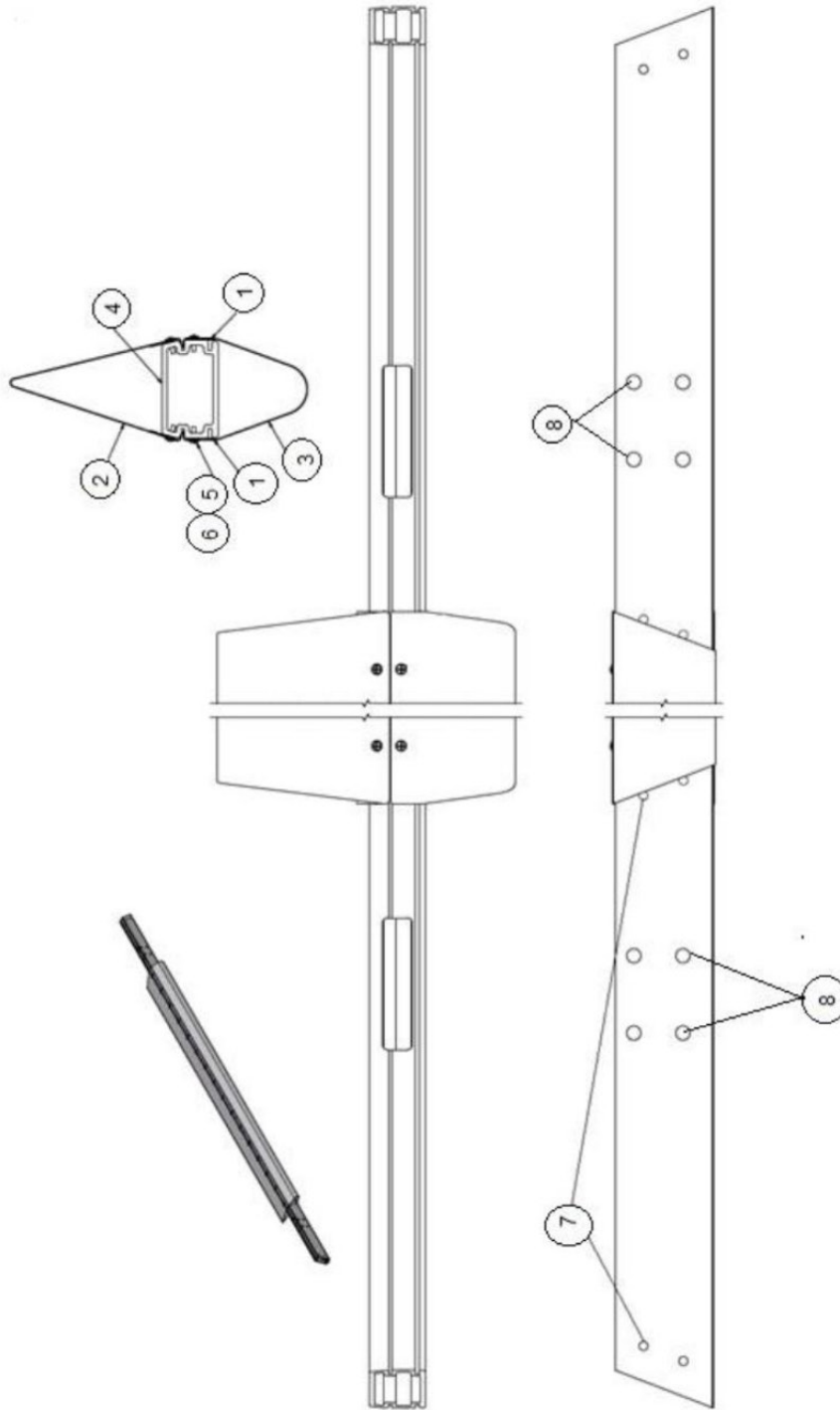
STRUTS AND STEPS - INSTALLATION

| ITEM | QTY | PART NO. | PART DESCRIPTION |
|------|-----|---------------|--|
| | 1 | 6A02187-005 | JOINT, RR. STRUT, LWR. LT. |
| | 2 | AN9-22A | BOLT (STRUT ATTACH) |
| | 2 | NAS1149F0963P | WASHER |
| | 2 | MS21044N9 | NUT |
| 20 | 1 | 6A02362-007 | FTG., FLOAT DECK AFT (AMPHIB.) |
| | 1 | 6S02362-008 | FTG., FLOAT DECK AFT (SEAPLANE) |
| | 2 | AN6-10A | BOLT |
| | 6 | AN3-7A | BOLT, 10-32, 0.5 GRIP |
| | 6 | MS21044N3 | NUT, LOCKING, REGULAR HEIGHT, 10-32 UNF |
| | 2 | MS21044N6 | NUT, LOCKING, REGULAR HEIGHT, 3/8-24 UNF |
| | 4 | NAS1149D0663J | WASHER, 0.39 ID, 0.063 THK |
| | 12 | NAS1149D0363J | WASHER, 0.203 ID, 0.063 THK |
| 21 | 2 | AN9-32A | BOLT, ATTACH |
| | 2 | NAS1149F0963P | WASHER |
| | 2 | MS21044N9 | NUT |
| 22 | 2 | 6A02187-006 | FTG., CTR. STRUT, UPR. |
| | 2 | 6A02262-001 | BUSHING |
| | 2 | AN8-22A | BOLT (STRUT ATTACH) |
| | 2 | NAS1149F0863P | WASHER |
| | 2 | MS21044N8 | NUT |
| 23 | 1 | 6A02056-003 | CLEVIS, BRACE WIRE, FT. LT. |
| | 1 | 6A02056-004 | CLEVIS, BRACE WIRE, FT. RT. |
| 24 | 2 | AN10-40A | BOLT |
| | 2 | NAS1149F1063P | WASHER |
| | 2 | MS21044N10 | NUT |
| 25 | 2 | 6A02187-001 | FTG., RR. STRUT, UPR. END |
| | 2 | AN9-22A | BOLT (STRUT ATTACH) |
| | 2 | NAS1149F0963P | WASHER |
| | 2 | MS21044N9 | NUT |
| 26 | 1 | 6A02056-001 | CLEVIS, BRACE WIRE, RR. LT. |
| | 1 | 6A02059-002 | CLEVIS, BRACE WIRE, RR. RT. |
| 27 | 2 | AN10-40A | BOLT |
| | 2 | NAS1149F1063P | WASHER |
| | 2 | MS21044N10 | NUT |
| 28 | 1 | 6A02426-002 | BRKT., STEP STRUT, RT. |
| | 1 | 6A02426-001 | BRKT., STEP STRUT, LT. |
| | 4 | AN4-5A | BOLT |
| | 4 | NAS1149F0432P | WASHER |
| | 4 | MS21044N4 | NUT |
| 29 | 4 | 6A02606-003 | STEP STRUT BUSHING |
| | 2 | AN4-17A | BOLT |

STRUTS AND STEPS - INSTALLATION

| ITEM | QTY | PART NO. | PART DESCRIPTION |
|------|-----|---------------|---|
| | 4 | NAS1149F0432P | WASHER |
| | 2 | MS21044N4 | NUT |
| 30 | 2 | 6A02046-004 | FTG., CLEVIS BRACE WIRE AFT, LWR., RT. & LT. |
| | 2 | AN8-26A | BOLT |
| | 4 | NAS1149C0863R | WASHER |
| | 2 | MS21044N8 | NUT |
| 31 | 2 | 6A02063-002 | FTG., CLEVIS BRACE WIRE FWD., LWR., RT. & LT. |
| | 2 | AN28-34A | CLEVIS BOLT |
| | 2 | MS21083N8 | NUT |
| | 2 | NAS1149F0863P | WASHER |

SPREADER BAR, AFT

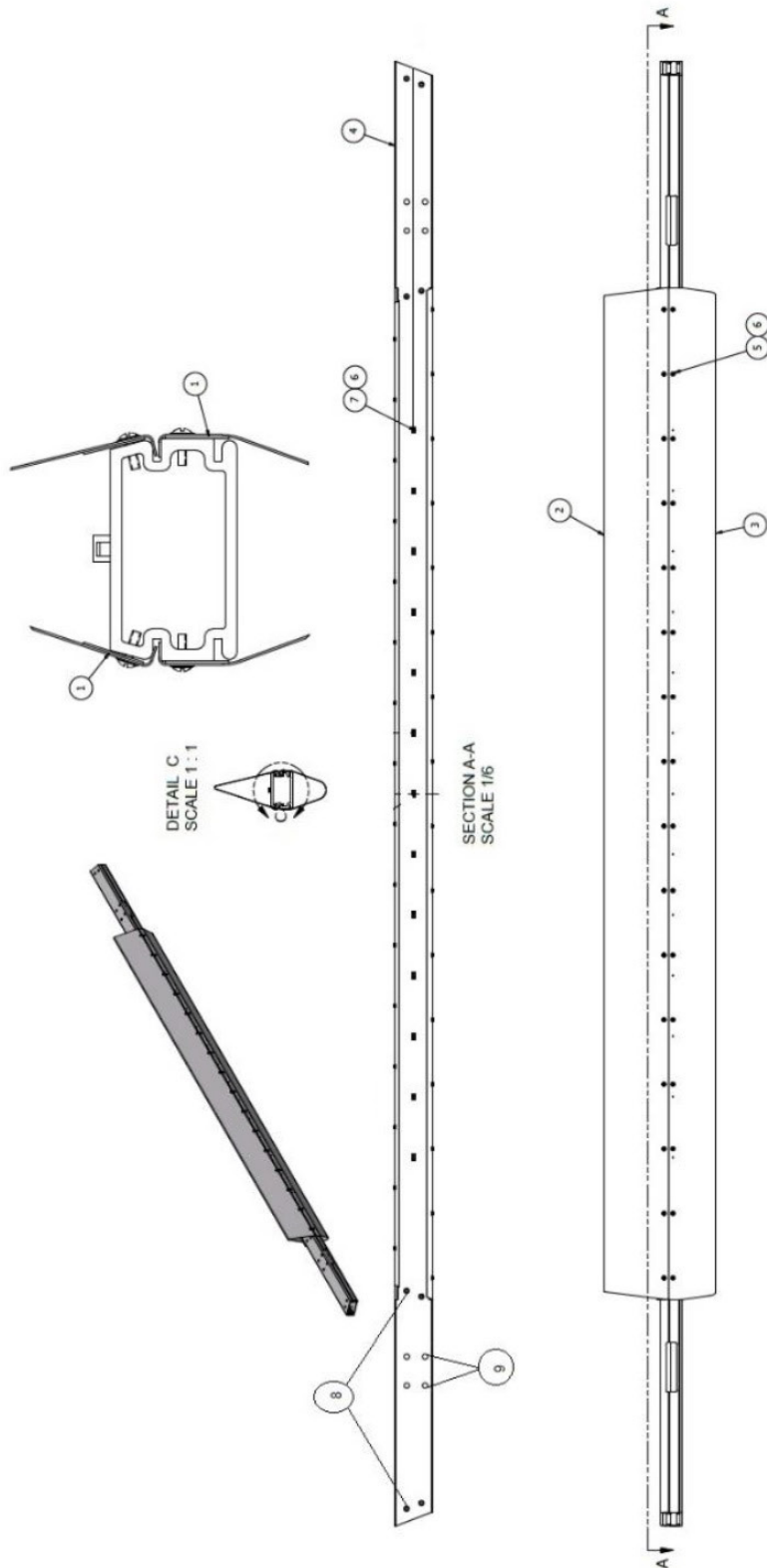


PARTS MANUAL FOR RIVETED
 WIPLINE MODEL 6100 AMPHIBIAN FLOATS SERIAL NUMBERS 61500 AND UP

SPREADER BAR, AFT

| ITEM | QTY | PART NO. | PART DESCRIPTION |
|------|-----|---------------|------------------------------------|
| - | 1 | 6A03000-007 | ASSY., SPR. BAR WITH FAIRINGS, AFT |
| 1 | 8 | 6A03005-179 | FILLER STRIP, FAIRING |
| 2 | 1 | 6A03158-028 | FAIRING, SPREADER BAR REAR |
| 3 | 1 | 6A03158-029 | FAIRING, SPREADER BAR FRONT |
| 4 | 1 | 6A03358-001 | SPREADER BAR |
| 5 | 64 | AN526C632R8 | SCREW, MACHINE, TRUSS HEAD |
| 6 | 64 | NAS1149FN616P | WASHER |
| 7 | 8 | 6A03702-009 | BOLT, SPREADER BAR MODIFIED |
| 8 | 8 | AN8-31A | BOLT |
| | 8 | NAS1149D0863J | WASHER |
| | 12 | MS21044N8 | NUT |

SPREADER BAR, FWD



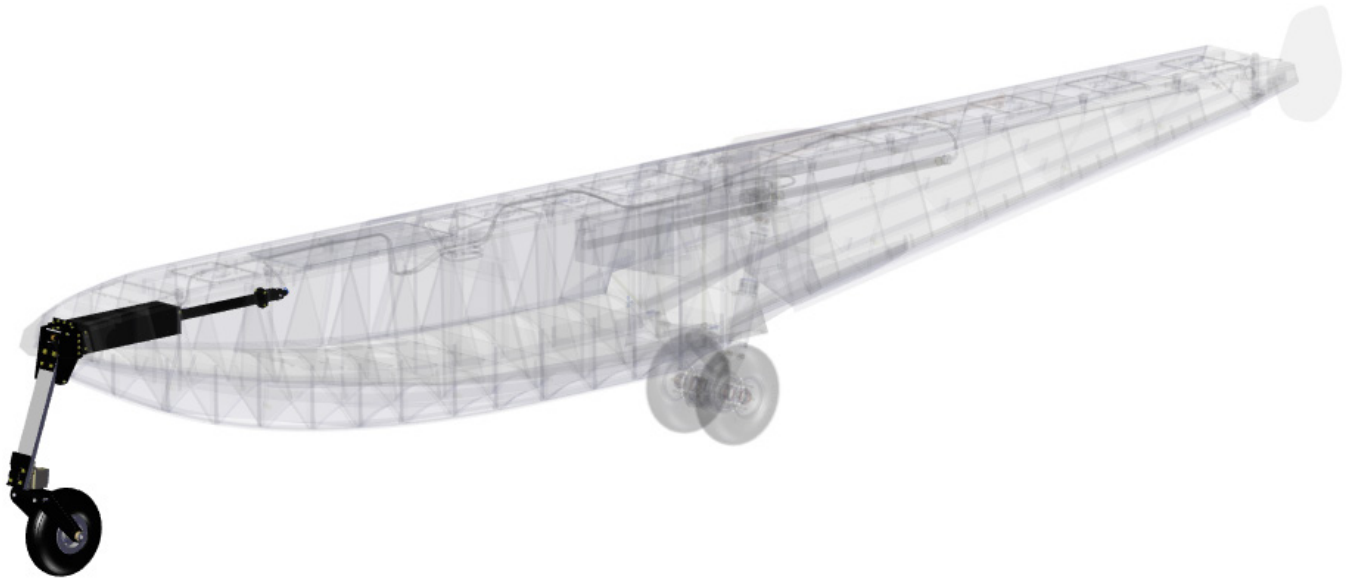
PARTS MANUAL FOR RIVETED
 WIPLINE MODEL 6100 AMPHIBIAN FLOATS SERIAL NUMBERS 61500 AND UP

SPREADER BAR, FWD

| ITEM | QTY | PART NO. | PART DESCRIPTION |
|------|-----|---------------|------------------------------------|
| - | 1 | 6A03000-024 | ASSY., SPR. BAR WITH FAIRINGS, FWD |
| 1 | 8 | 6A03005-179 | FILLER STRIP, FAIRING |
| 2 | 1 | 6A03158-028 | FAIRING, SPREADER BAR REAR |
| 3 | 1 | 6A03158-029 | FAIRING, SPREADER BAR FRONT |
| 4 | 1 | 6A03358-001 | SPREADER BAR |
| 5 | 13 | AAPQ-43 | RIVET |
| | 64 | AN526C632R8 | SCREW, MACHINE, TRUSS HEAD |
| 6 | 64 | NAS1149FN616P | WASHER |
| 7 | 13 | TM2S6-M | TIE CLIP |
| 8 | 8 | 6A03702-009 | BOLT, SPREADER BAR MODIFIED |
| 9 | 8 | AN8-31A | BOLT |
| | 8 | NAS1149D0863J | WASHER |
| | 12 | MS21044N8 | NUT |

THIS PAGE INTENTIONALLY LEFT BLANK

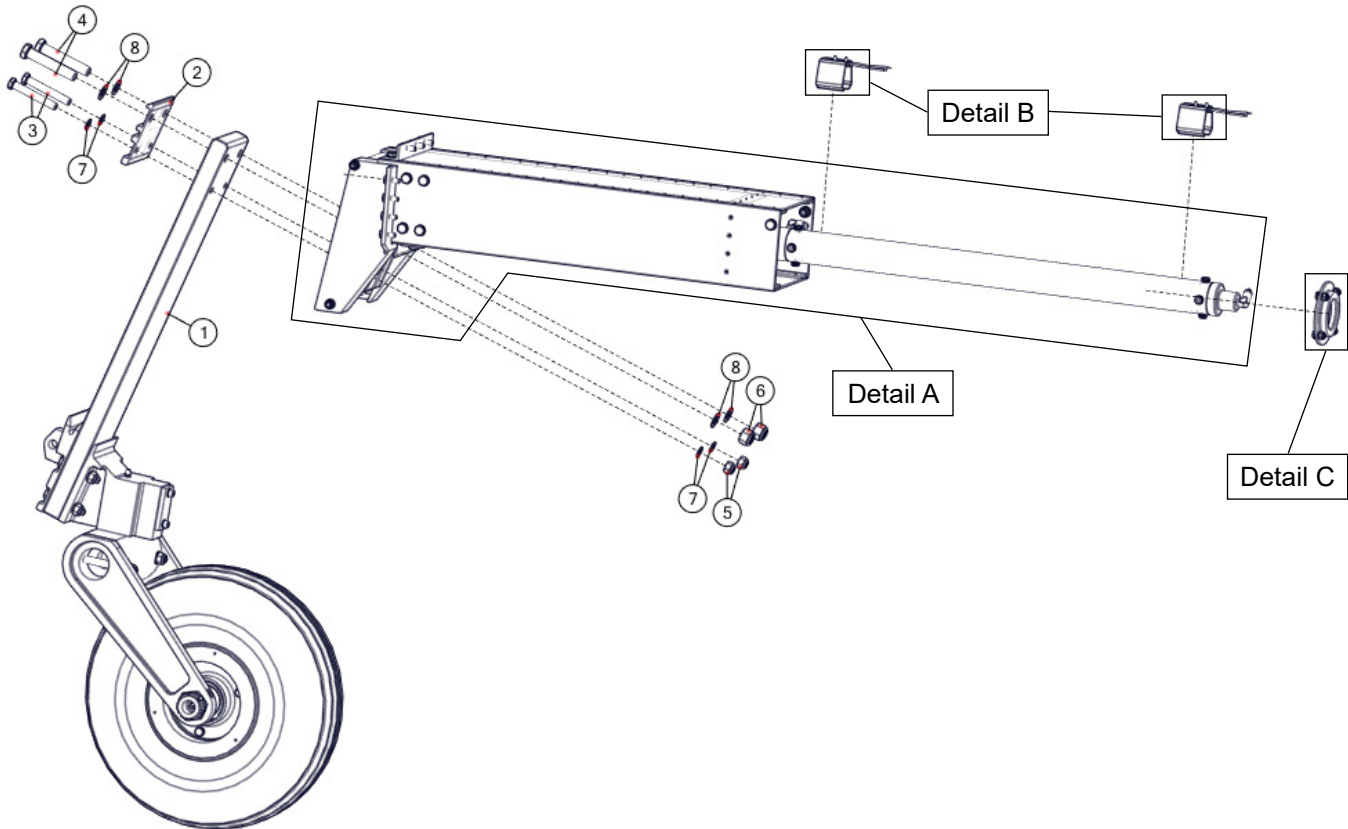
SECTION 7 LANDING GEAR



CONTENTS

| | |
|---|-----|
| NOSE GEAR ASSEMBLY, LEFT AND RIGHT FLOATS | 92 |
| 6A06000-011 NOSE FORK AND PIVOT ASSEMBLY | 93 |
| 1003233 ASSEMBLY, NOSE WHEEL WITHOUT TIRE | 95 |
| NOSE GEAR ASSEMBLY DETAIL A - NOSE BOX AND | 96 |
| ACTUATOR COMPONENTS..... | 96 |
| 1002636 ASSEMBLY, NOSE GEAR ACTUATOR..... | 97 |
| 1002635 ASSEMBLY, NOSE BOX..... | 99 |
| NOSE GEAR ASSEMBLY DETAIL B - NOSE GEAR | 101 |
| MAGNET SWITCH COMPONENTS..... | 101 |
| NOSE GEAR ASSEMBLY DETAIL C - NOSE GEAR | 102 |
| RETAINING RING COMPONENTS | 102 |
| MAIN GEAR ASSEMBLY, LEFT AND RIGHT FLOATS | 103 |
| 6A04000-013 ASSEMBLY, MAIN GEAR..... | 104 |
| 1002068 ASSEMBLY, SHOCK STRUT..... | 105 |
| 6A04000-015 ASSEMBLY, MAIN GEAR AXLE | 107 |
| 091-21600 ASSEMBLY, BRAKE CALIPER, PARKER..... | 110 |
| 8A04000-031 ASSEMBLY, MAIN WHEEL, WITH TIRE AND TUBE..... | 112 |
| 40-418-3 ASSEMBLY, MAIN WHEEL | 113 |
| 1002643 ASSEMBLY, CARRIAGE..... | 114 |
| MAIN GEAR ASSEMBLY DETAIL A SLIDE TUBE COMPONENTS..... | 116 |
| MAIN GEAR ASSEMBLY DETAIL B | 117 |
| SLIDE TUBE HOUSING COMPONENTS | 117 |
| MAIN GEAR ASSEMBLY DETAIL C | 119 |
| MAIN GEAR CYLINDER COMPONENTS..... | 119 |
| MAIN GEAR ASSEMBLY DETAIL D TRUNNION COMPONENTS | 121 |

NOSE GEAR ASSEMBLY, LEFT AND RIGHT FLOATS

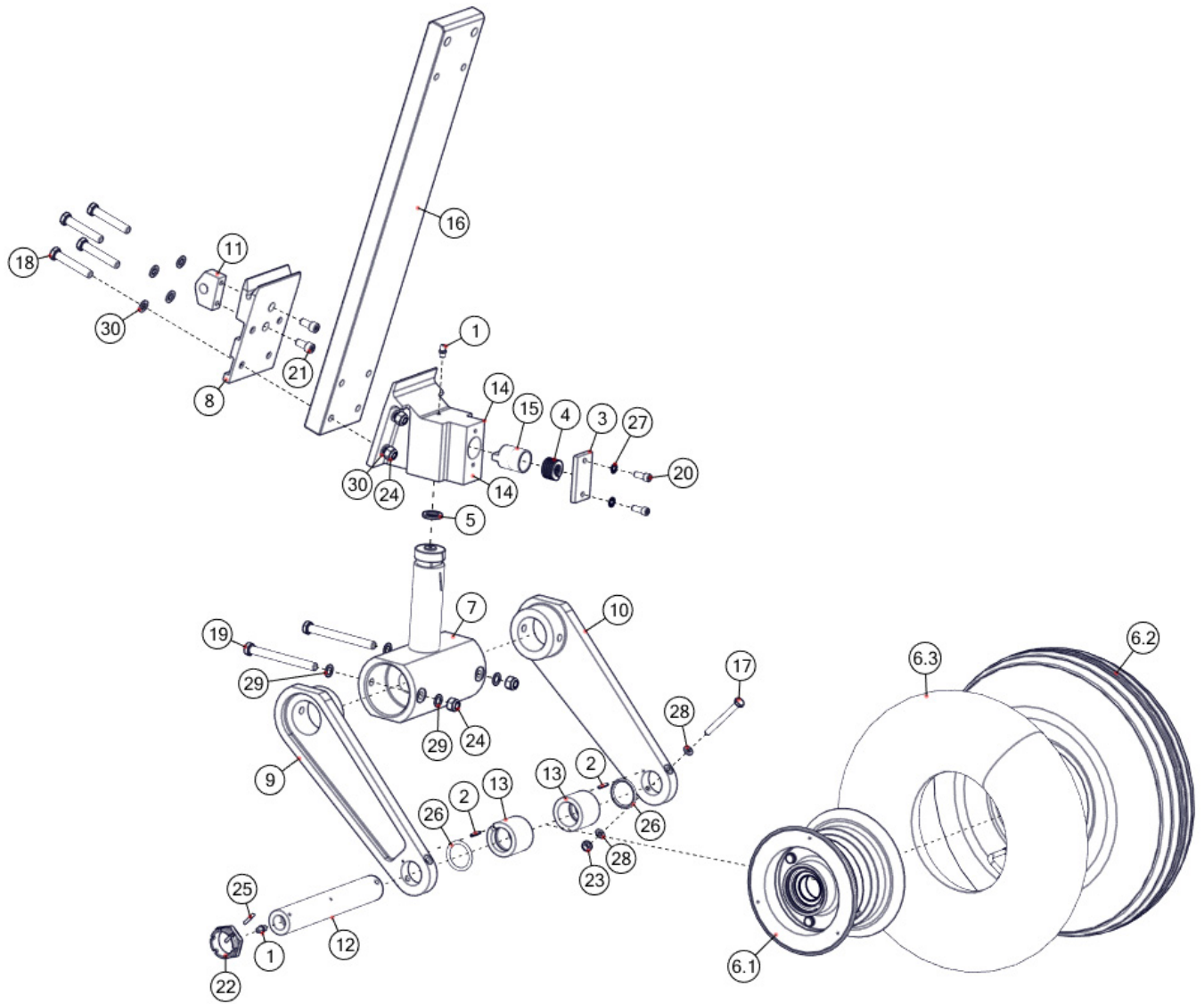


NOSE GEAR ASSEMBLY, LEFT AND RIGHT FLOATS

| ITEM | QTY | PART NO. | PART DESCRIPTION |
|----------|-----|---------------|-------------------------------------|
| 1 | 1 | 6A06000-011 | NOSE FORK AND PIVOT ASSEMBLY |
| 2 | 1 | 6A07184-001 | BEARING PLATE, NOSE SPRING |
| 3 | 2 | AN6-25A | BOLT |
| 4 | 2 | AN8-27A | BOLT |
| 5 | 2 | MS21044N6 | NUT |
| 6 | 2 | MS21044N8 | NUT |
| 7 | 4 | NAS1149F0632P | WASHER |
| 8 | 4 | NAS1149F0832P | WASHER |
| Detail A | 1 | - | NOSE BOX AND ACTUATOR COMPONENTS |
| Detail B | 2 | - | NOSE GEAR MAGNET SWITCH COMPONENTS |
| Detail C | 1 | - | NOSE GEAR RETAINING RING COMPONENTS |

*See [Detailed Views](#) section for Detailed Views explanation

6A06000-011 NOSE FORK AND PIVOT ASSEMBLY

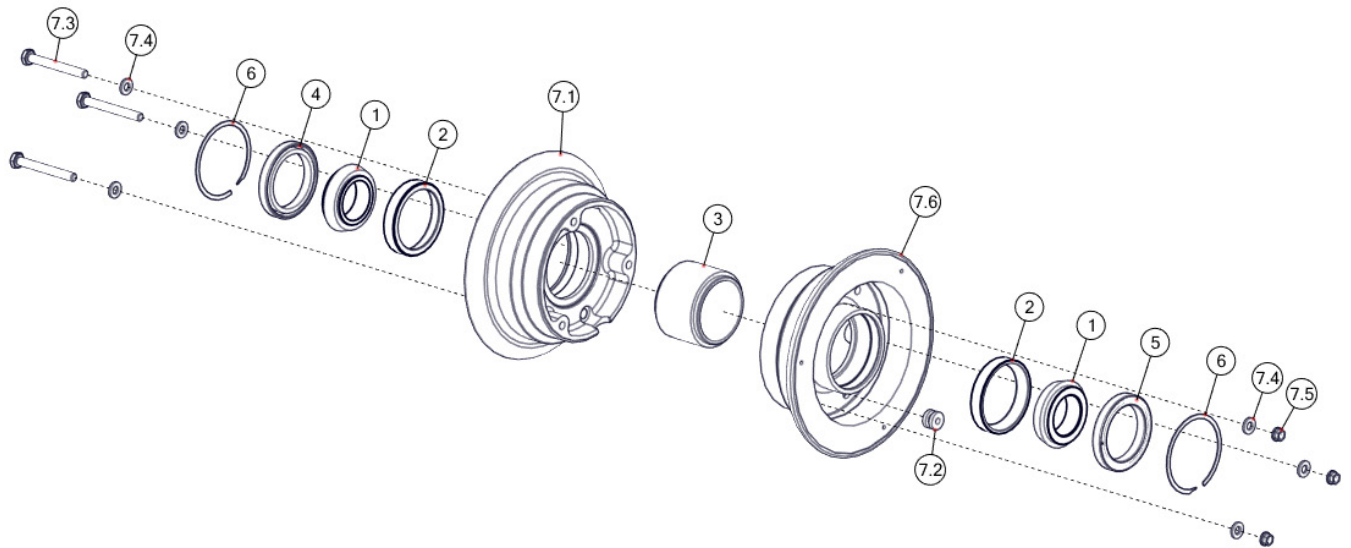


6A06000-011 NOSE FORK AND PIVOT ASSEMBLY

| ITEM | QTY | PART NO. | PART DESCRIPTION |
|------|-----|---------------|--|
| 1 | 2 | 1095K41 | GREASE ZERK |
| 2 | 2 | 215-125-0750 | PIN |
| 3 | 1 | 3A06037-001 | CAP, PIVOT BLOCK |
| 4 | 1 | 3A06525-002 | SPRING |
| 5 | 1 | 3A06602-001 | WASHER, THRUST |
| 6 | 1 | 6A06000-005 | ASSEMBLY, NOSE WHEEL, MODIFIED |
| 6.1 | 1 | 1003233 | ASSEMBLY, NOSE WHEEL WITHOUT TIRE |
| 6.2 | 1 | AA1D4* | TIRE |
| 6.3 | 1 | XA1AC* | TUBE |
| 7 | 1 | 6A06000-006 | ASSEMBLY, YOKE (SOLD AS ASSEMBLY ONLY) |
| 8 | 1 | 6A06196-002 | PLATE, BEARING, LOWER, NOSE SPRING |
| 9 | 1 | 6A06199-003 | LEG, NOSE WHEEL FORK, LEFT |
| 10 | 1 | 6A06199-004 | LEG, NOSE WHEEL FORK, RIGHT |
| 11 | 1 | 6A06202-001 | BLOCK, ATTACH, TOWING |
| 12 | 1 | 6A06265-001 | AXLE, NOSE WHEEL |
| 13 | 2 | 6A06268-002 | SPACER |
| 14 | 1 | 6A06312-001 | PIVOT BLOCK, NOSE GEAR |
| 15 | 1 | 6A06512-002 | RETAINER, NOSE GEAR PIVOT |
| 16 | 1 | 6A06625-001 | SPRING, NOSE GEAR |
| 17 | 1 | AN4-25A | BOLT |
| 18 | 4 | AN6-21A | BOLT |
| 19 | 2 | AN6-37A | BOLT |
| 20 | 2 | MS16997-60 | BOLT |
| 21 | 2 | MS16997-77 | SCREW |
| 22 | 1 | MS21044N4 | NUT |
| 23 | 1 | MS21025-20 | NUT, AXLE |
| 24 | 6 | MS21044N6 | NUT |
| 25 | 1 | MS24665-349 | COTTER PIN |
| 26 | 2 | MS28775-218 | O-RING |
| 27 | 2 | MS35333-40 | STAR WASHER |
| 28 | 2 | NAS1149F0463P | WASHER |
| 29 | 4 | NAS1149F0632P | WASHER |
| 30 | 8 | NAS1149F0663P | WASHER |

* Any alternate tire (tube type) which is TSO-approved, matches the listed tire's dimensions, and meets its speed/load/ply ratings may be used. Equivalent tubes may also be used.

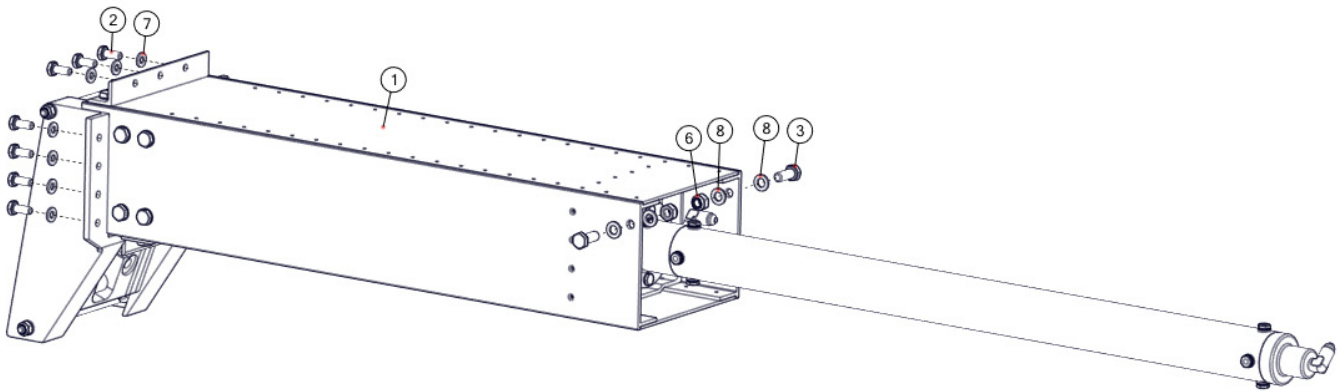
1003233 ASSEMBLY, NOSE WHEEL WITHOUT TIRE



1003233 ASSEMBLY, NOSE WHEEL WITHOUT TIRE

| ITEM | QTY | PART NO. | PART DESCRIPTION |
|------|-----|---------------|-------------------------------|
| 1 | 2 | 08125 | BEARING, STL, TIMKEN, 40-87H |
| 2 | 2 | 08231 | CUP, BEARING, TIMKEN, 40-87H |
| 3 | 1 | 1003232 | RETAINER, GREASE, NOSE WHEEL |
| 4 | 1 | 1003547 | SEAL, BEARING, WHEEL, INBOARD |
| 5 | 1 | 1003548 | SEAL, NOSE WHEEL, OUTBOARD |
| 6 | 2 | 155-00200 | SNAP RING |
| 7 | 1 | 40-87H | WHEEL ASSEMBLY |
| 7.1 | 1 | 161-04101 | WHEEL HALF ASSEMBLY, INNER |
| 7.2 | 1 | 217-00100 | GROMMET |
| 7.3 | 3 | AN4-22A | BOLT |
| 7.4 | 6 | NAS1149F0463P | WASHER |
| 7.5 | 3 | NAS21042-4 | NUT |
| 7.6 | 1 | 162-03901 | WHEEL HALF ASSEMBLY, OUTER |

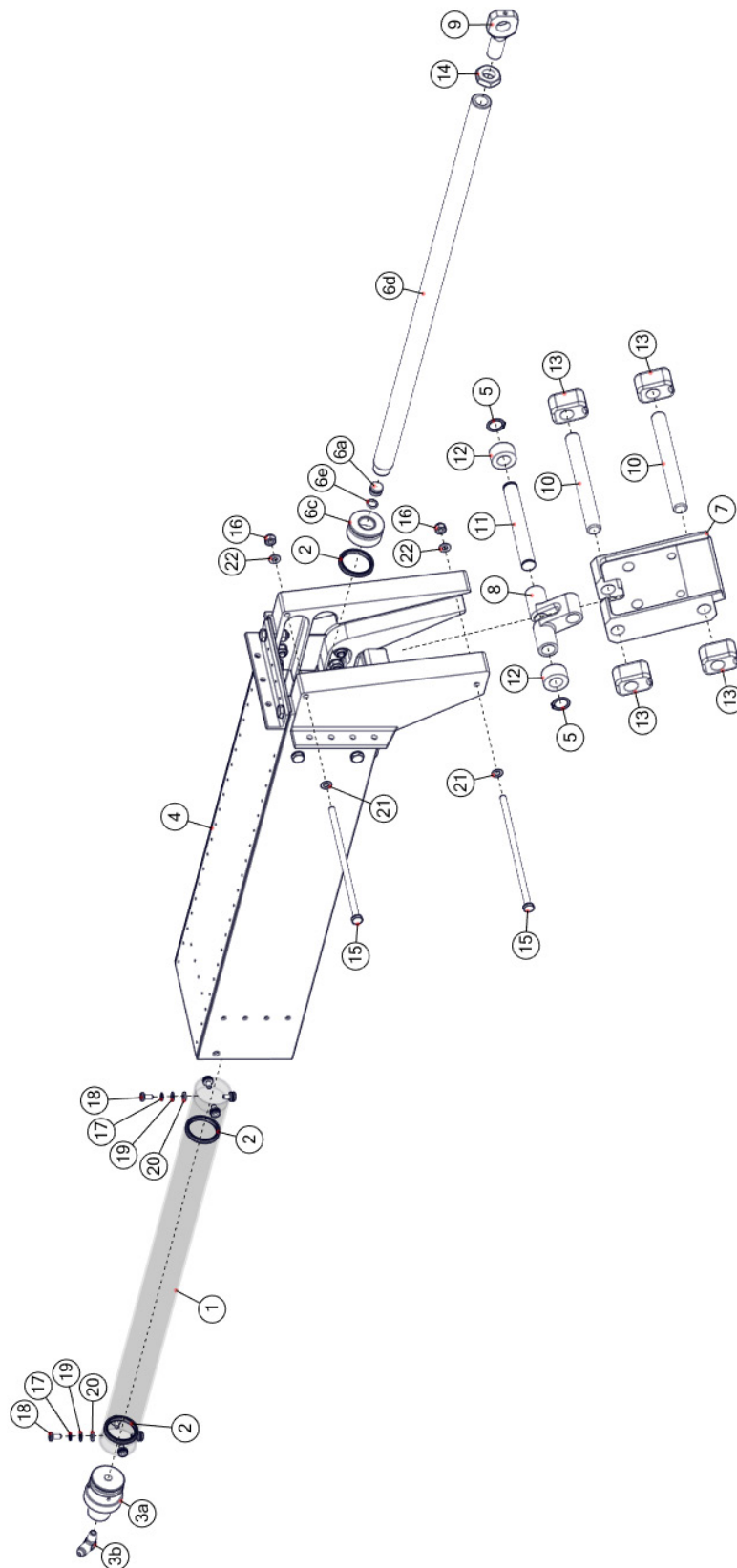
NOSE GEAR ASSEMBLY DETAIL A - NOSE BOX AND ACTUATOR COMPONENTS



NOSE GEAR ASSEMBLY DETAIL A - NOSE BOX AND ACTUATOR COMPONENTS

| ITEM | QTY | PART NO. | PART DESCRIPTION |
|------|-----|---------------|------------------------------|
| 1 | 1 | 1002636 | ASSEMBLY, NOSE GEAR ACTUATOR |
| 2 | 11 | AN4-5A | BOLT |
| 3 | 2 | AN5-6A | BOLT |
| 4 | 2 | AN6-25A | BOLT |
| 5 | 2 | AN8-27A | BOLT |
| 6 | 2 | MS21044N5 | NUT |
| 7 | 11 | NAS1149D0463J | WASHER |
| 8 | 4 | NAS1149D0563J | WASHER |

1002636 ASSEMBLY, NOSE GEAR ACTUATOR

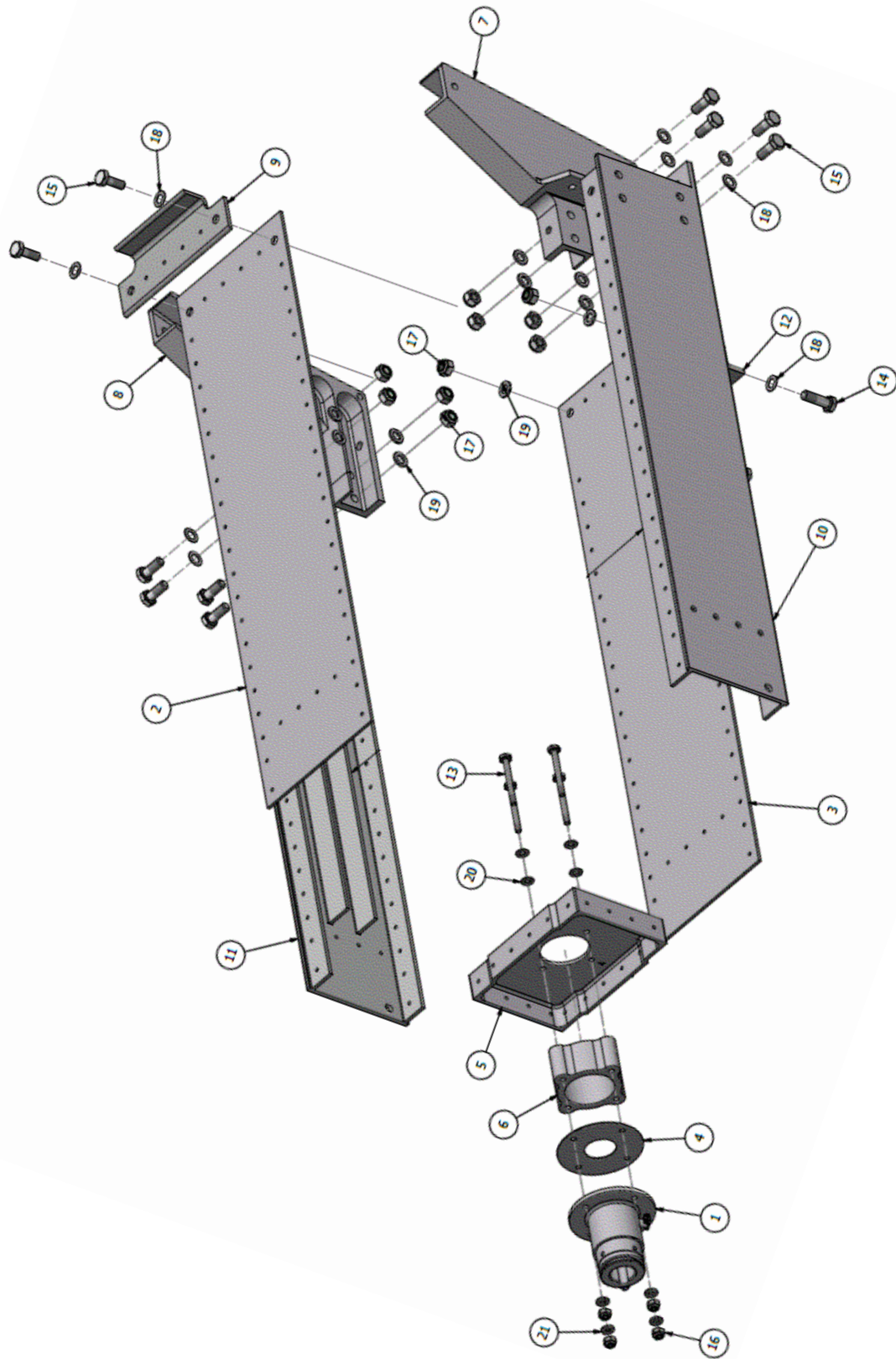


1002636 ASSEMBLY, NOSE GEAR ACTUATOR

| ITEM | QTY | PART NO. | PART DESCRIPTION |
|------|-----|---------------|----------------------------------|
| 1 | 1 | 1002024 | CYLINDER, RAM, NOSE |
| 2 | 3 | 1002229 | PISTON, T-SEAL |
| 3* | 1 | 1002236 | ASSEMBLY, CYLINDER END CAP |
| 3a | 1 | 1002011 | END, CAP, HYDRAULIC CYLINDER |
| 3b | 1 | MS20822-4D | FITTING, ELBOW |
| 4 | 1 | 1002635 | ASSEMBLY, NOSE BOX |
| 5 | 2 | 5100-62H | SNAP RING |
| 6* | 1 | 6A07000-008 | ASSEMBLY, RAM, NOSE GEAR |
| 6a | 1 | 13A07279-001 | PLUG, RAM NOSE GEAR |
| 6b | 1 | 3A05701-001 | MAGNET, HOOK LATCH, MAIN GEAR |
| 6c | 1 | 6A05545-001 | PISTON, RAM, MAIN GEAR |
| 6d | 1 | 6A07482-001 | SHAFT, RAM, NOSE GEAR |
| 6e | 1 | MS28775-012 | O-RING |
| 7 | 1 | 6A07199-002 | TROLLEY, NOSE GEAR |
| 8 | 1 | 6A07204-001 | LINK, NOSE GEAR |
| 9 | 1 | 6A07263-001 | ROD END, NOSE GEAR RAM |
| 10 | 2 | 6A07534-001 | AXLE, TROLLEY, NOSE GEAR |
| 11 | 1 | 6A07534-002 | AXLE, LINK, NOSE GEAR |
| 12 | 2 | 6A07544-001 | ROLLER, TRACK, NOSE GEAR |
| 13 | 4 | 6A07603-001 | BLOCK, SLIDE, TROLLEY, NOSE GEAR |
| 14 | 1 | AN316-10R | NUT |
| 15 | 2 | AN4-65A | BOLT |
| 16 | 2 | MS21044N4 | NUT |
| 17 | 8 | MS35333-39 | STAR WASHER |
| 18 | 8 | NAS1103-2 | BOLT |
| 19 | 8 | NAS1149D0316J | WASHER |
| 20 | 8 | NAS1149D0363J | WASHER |
| 21 | 2 | NAS1149D0416J | WASHER |
| 22 | 2 | NAS1149D0463J | WASHER |

*See [Nomenclature System](#) section when ordering assemblies

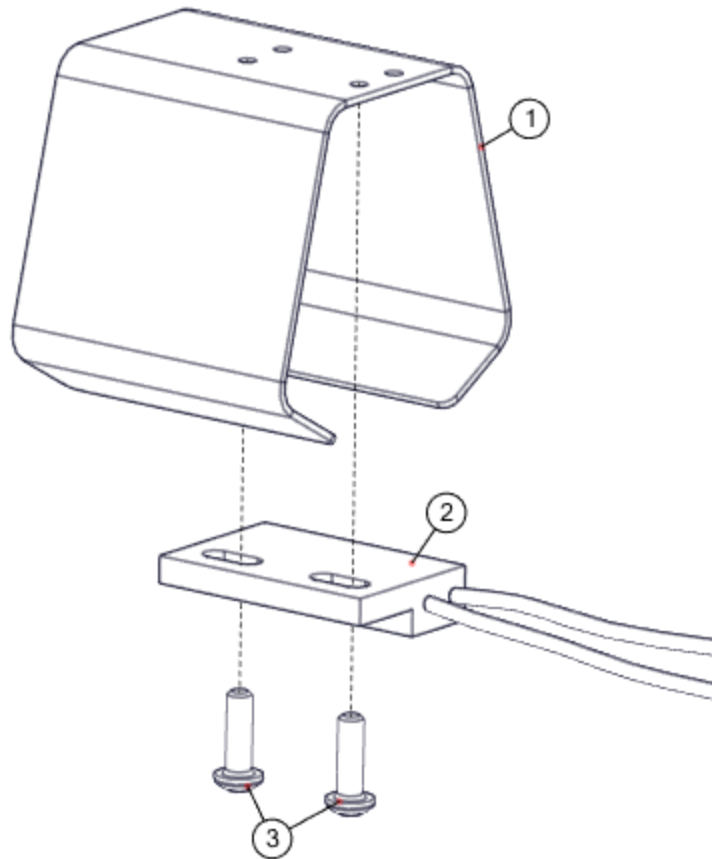
1002635 ASSEMBLY, NOSE BOX



1002635 ASSEMBLY, NOSE BOX

| ITEM | QTY | PART NO. | PART DESCRIPTION |
|------|-----|---------------|--|
| 1 | 1 | 1002237 | ASSEMBLY CYLINDER FLANGE |
| 1.1 | 1 | 1002013 | FLANGE - CYLINDER NOSE GEAR RAM |
| 1.2 | 2 | 1002230 | ROD, T-SEAL |
| 1.3 | 1 | 6A07580-005 | WIPER, NOSE GEAR ACTR, 10000, 13 |
| 1.4 | 1 | 8880510 | WIPER |
| 1.5 | 1 | MS20822-4D | FITTING, ELBOW |
| 1.6 | 1 | 1205K12 | OILER |
| 2 | 1 | 6A07156-022 | SKIN, NOSE BOX, BOTTOM |
| 3 | 1 | 6A07156-023 | SKIN, NOSE BOX, TOP |
| 4 | 1 | 6A07158-129 | PLATE, FLANGE |
| 5 | 1 | 6A07210-001 | END CAP, NOSE BOX |
| 6 | 1 | 6A07264-003 | SPACER, FLANGE CYLINDER NOSE GEAR RAM |
| 7 | 1 | 6A07337-001 | TRACK, END, NOSE GEAR, LEFT |
| 8 | 1 | 6A07337-002 | TRACK, END, NOSE GEAR, RIGHT |
| 9 | 1 | 6A07357-036 | ANGLE, NOSE BOX, BOTTOM |
| 10 | 1 | 6A07364-001 | SIDE, TRACK, NOSE GEAR, LEFT |
| 11 | 1 | 6A07364-002 | SIDE, TRACK, NOSE GEAR, RIGHT |
| 12 | 1 | 6A07427-003 | ANGLE, NOSE BOX, TOP |
| 13 | 4 | AN3-17A | BOLT |
| 14 | 2 | AN5-10A | BOLT, 5/16-24, 0.5625 GRIP, UNDRILLED, STEEL |
| 15 | 10 | AN5-6A | BOLT, 5/16-24, 0.3125 GRIP, UNDRILLED, STEEL |
| 16 | 4 | MS21044N3 | NUT, LOCKING, REGULAR HEIGHT, 10-32 UNF |
| 17 | 10 | MS21044N5 | NUT, LOCKING, REGULAR HEIGHT, 5/16-24 UNF |
| 18 | 12 | NAS1149D0516J | WASHER, 0.328 ID, 0.016 THK, ALUMINUM |
| 19 | 10 | NAS1149D0563J | WASHER, 0.328 ID, 0.063 THK, ALUMINUM |
| 20 | 4 | NAS1149F0332P | WASHER, 0.203 ID, 0.032 THK, STEEL |
| 21 | 4 | NAS1149F0363P | WASHER, 0.203 ID, 0.063 THK, STEEL |

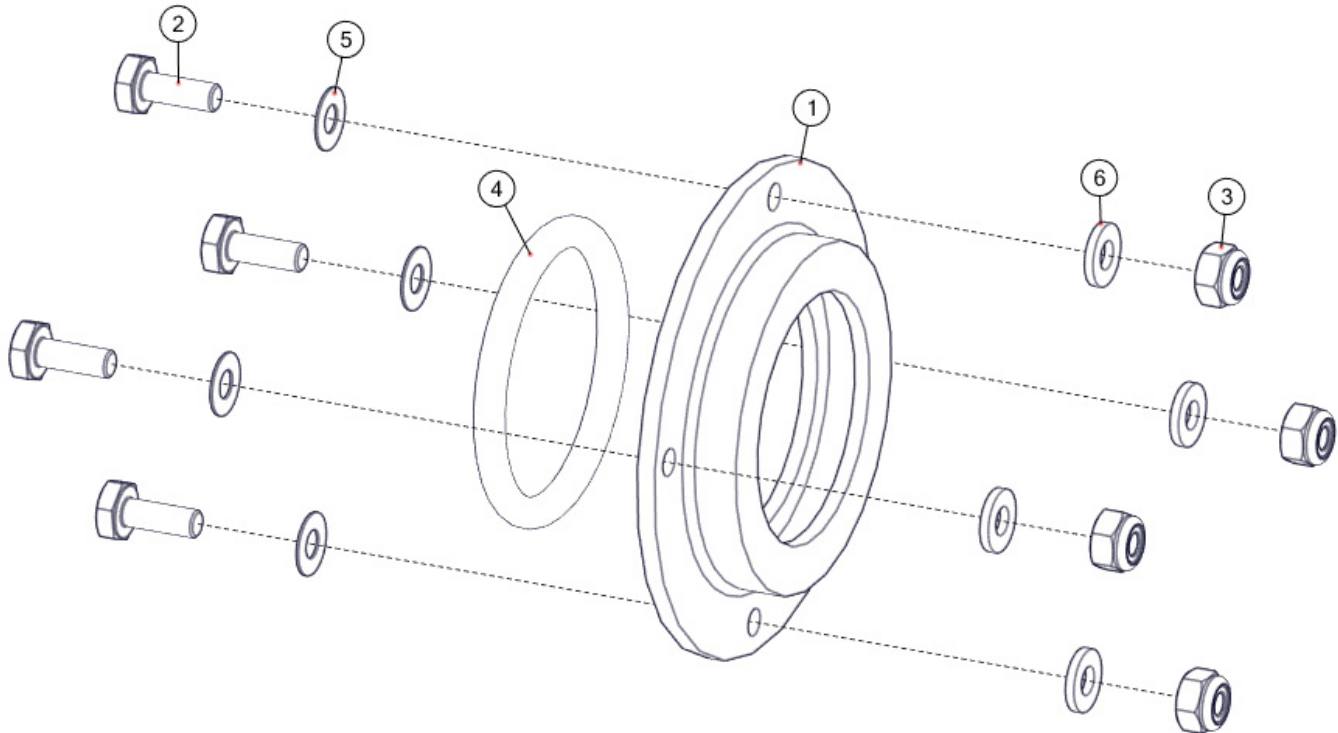
NOSE GEAR ASSEMBLY DETAIL B - NOSE GEAR MAGNET SWITCH COMPONENTS



NOSE GEAR ASSEMBLY DETAIL B - NOSE GEAR MAGNET SWITCH COMPONENTS

| ITEM | QTY | PART NO. | PART DESCRIPTION |
|------|-----|-------------|------------------|
| 1 | 1 | 3A07005-178 | CLIP, SWITCH |
| 2 | 1 | 5801 | MAGNET SWITCH |
| 3 | 2 | MS35206-215 | SCREW |

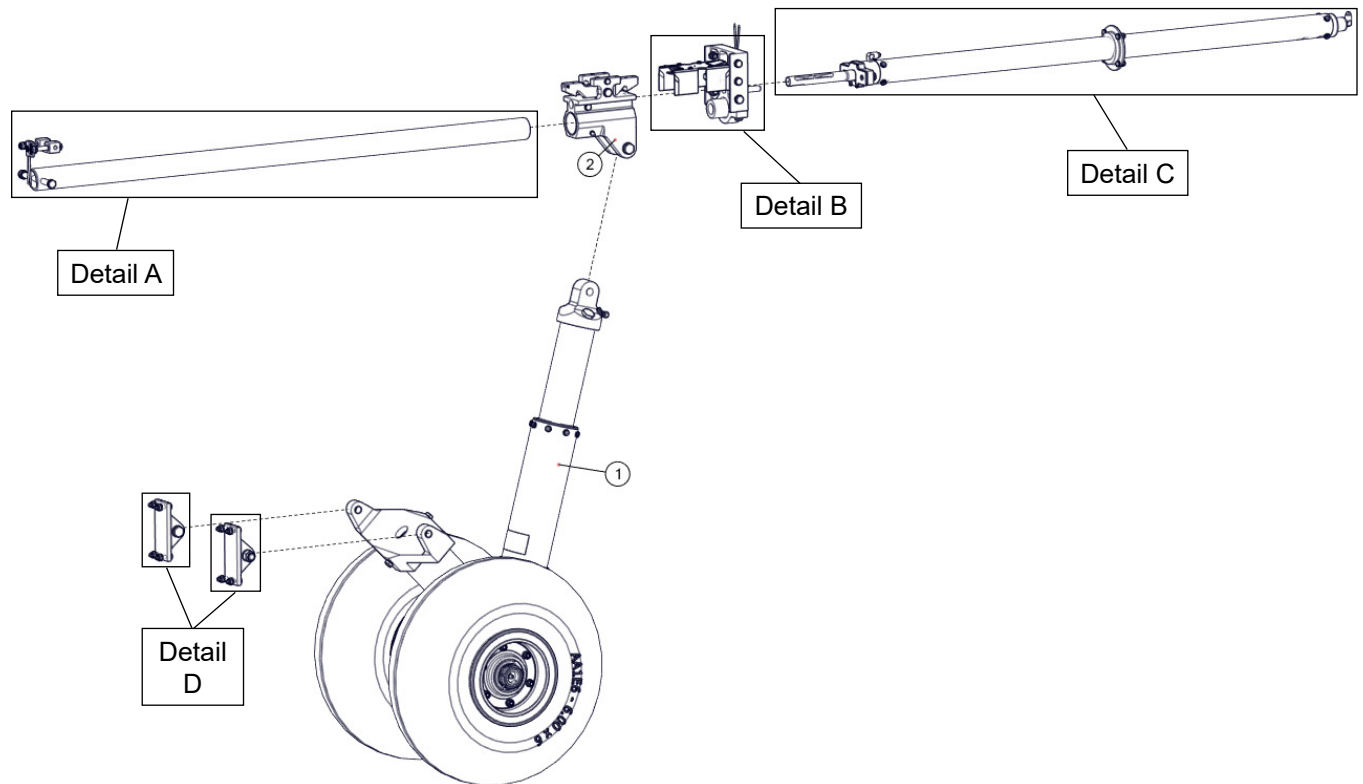
NOSE GEAR ASSEMBLY DETAIL C - NOSE GEAR RETAINING RING COMPONENTS



NOSE GEAR ASSEMBLY DETAIL C - NOSE GEAR RETAINING RING COMPONENTS

| ITEM | QTY | PART NO. | PART DESCRIPTION |
|------|-----|---------------|--|
| 1 | 1 | 6A05181-001 | RETAINING RING, MAIN GEAR RAM CYLINDER |
| 2 | 4 | AN3-4A | BOLT |
| 3 | 4 | MS21044N3 | NUT |
| 4 | 1 | MS28775-327 | O-RING |
| 5 | 4 | NAS1149D0316J | WASHER |
| 6 | 4 | NAS1149D0363J | WASHER |

MAIN GEAR ASSEMBLY, LEFT AND RIGHT FLOATS

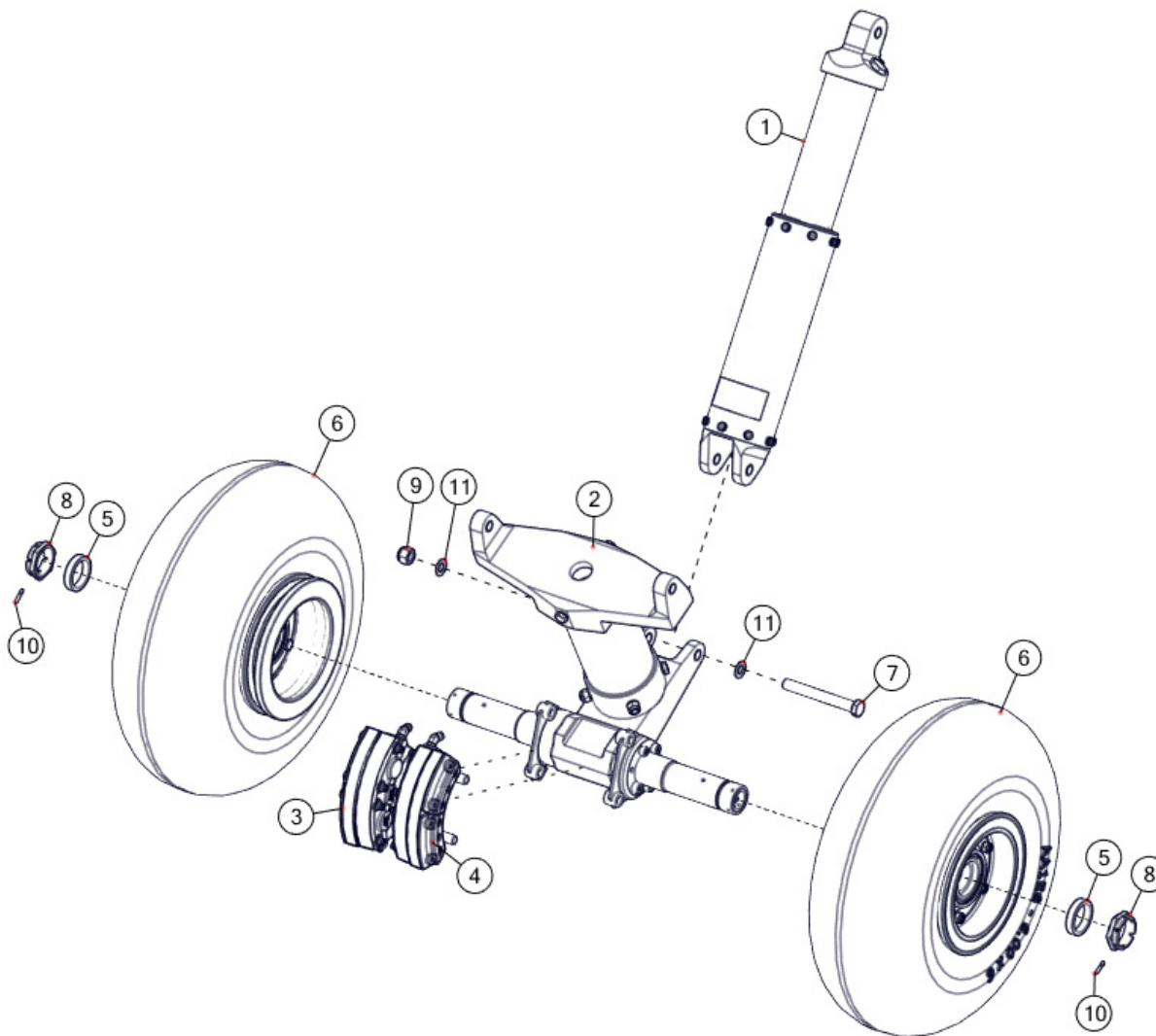


MAIN GEAR ASSEMBLY, LEFT AND RIGHT FLOATS

| ITEM | QTY | PART NO. | PART DESCRIPTION |
|----------|-----|-------------|-------------------------------|
| 1 | 1 | 6A04000-013 | ASSEMBLY, MAIN GEAR |
| 2 | 1 | 1002643 | ASSEMBLY, CARRIAGE |
| Detail A | 1 | - | SLIDE TUBE COMPONENTS |
| Detail B | 1 | - | SLIDE TUBE HOUSING COMPONENTS |
| Detail C | 1 | - | MAIN GEAR CYLINDER COMPONENTS |
| Detail D | 2 | - | TRUNNION COMPONENTS |

*See [Detailed Views](#) section for Detailed Views explanation

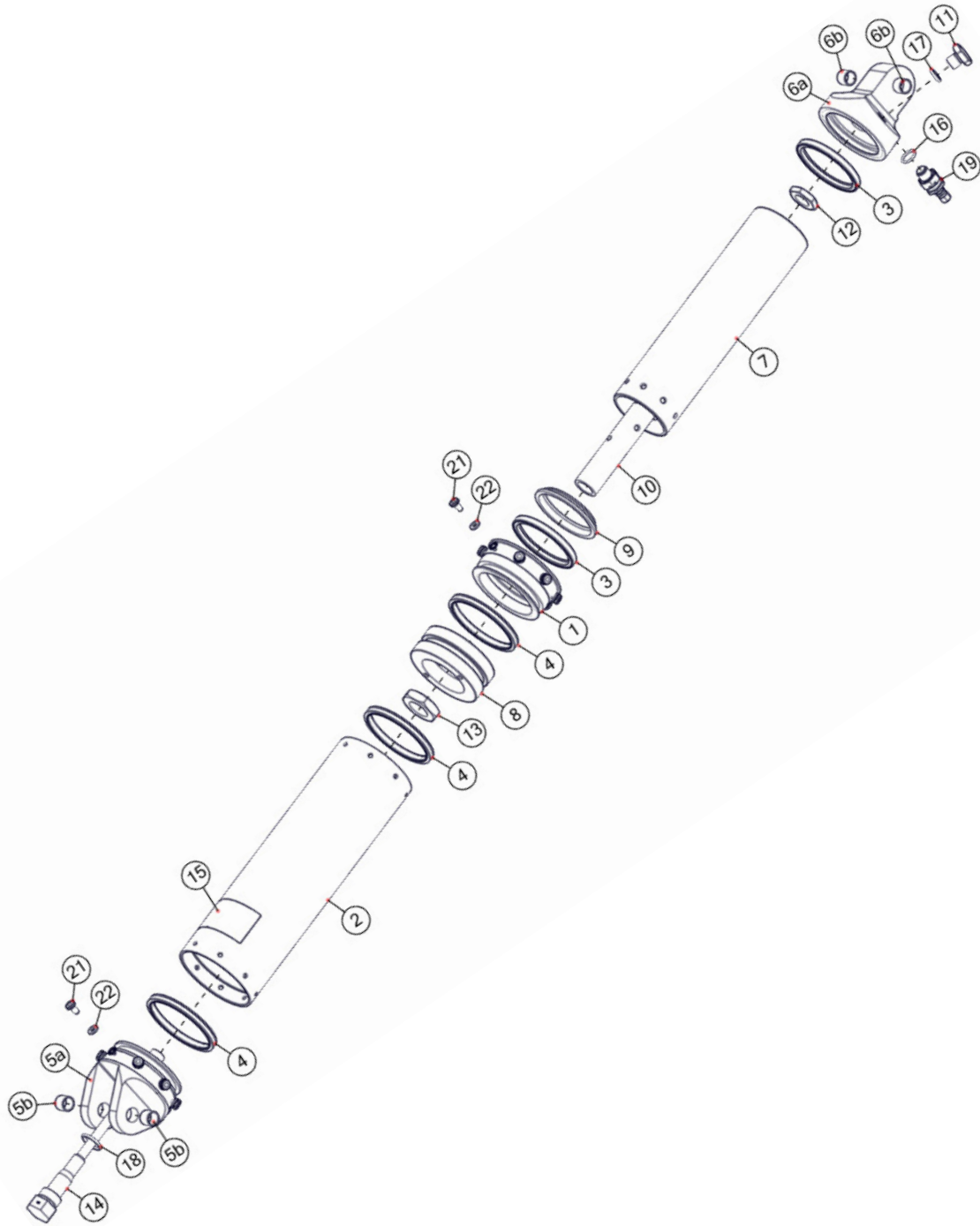
6A04000-013 ASSEMBLY, MAIN GEAR



6A04000-013 ASSEMBLY, MAIN GEAR

| ITEM | QTY | PART NO. | PART DESCRIPTION |
|------|-----|---------------|--|
| 1 | 1 | 1002068 | ASSEMBLY, SHOCK STRUT |
| 2 | 1 | 6A04000-015 | ASSEMBLY, MAIN GEAR AXLE |
| 3 | 1 | 6A04000-104 | ASSEMBLY, BRAKE CALIPER, RIGHT |
| 4 | 1 | 6A04000-105 | ASSEMBLY, BRAKE CALIPER, LEFT |
| 5 | 2 | 6A04093-002 | AXLE SPACER, MAIN WHEEL |
| 6 | 2 | 8A04000-031 | ASSEMBLY, MAIN WHEEL, WITH TIRE AND TUBE |
| 7 | 1 | AN8-42A | BOLT |
| 8 | 2 | MS21025-24 | NUT, AXLE |
| 9 | 1 | MS21044N8 | NUT |
| 10 | 2 | MS24665-349 | COTTER PIN |
| 11 | 2 | NAS1149D0863J | WASHER |

1002068 ASSEMBLY, SHOCK STRUT

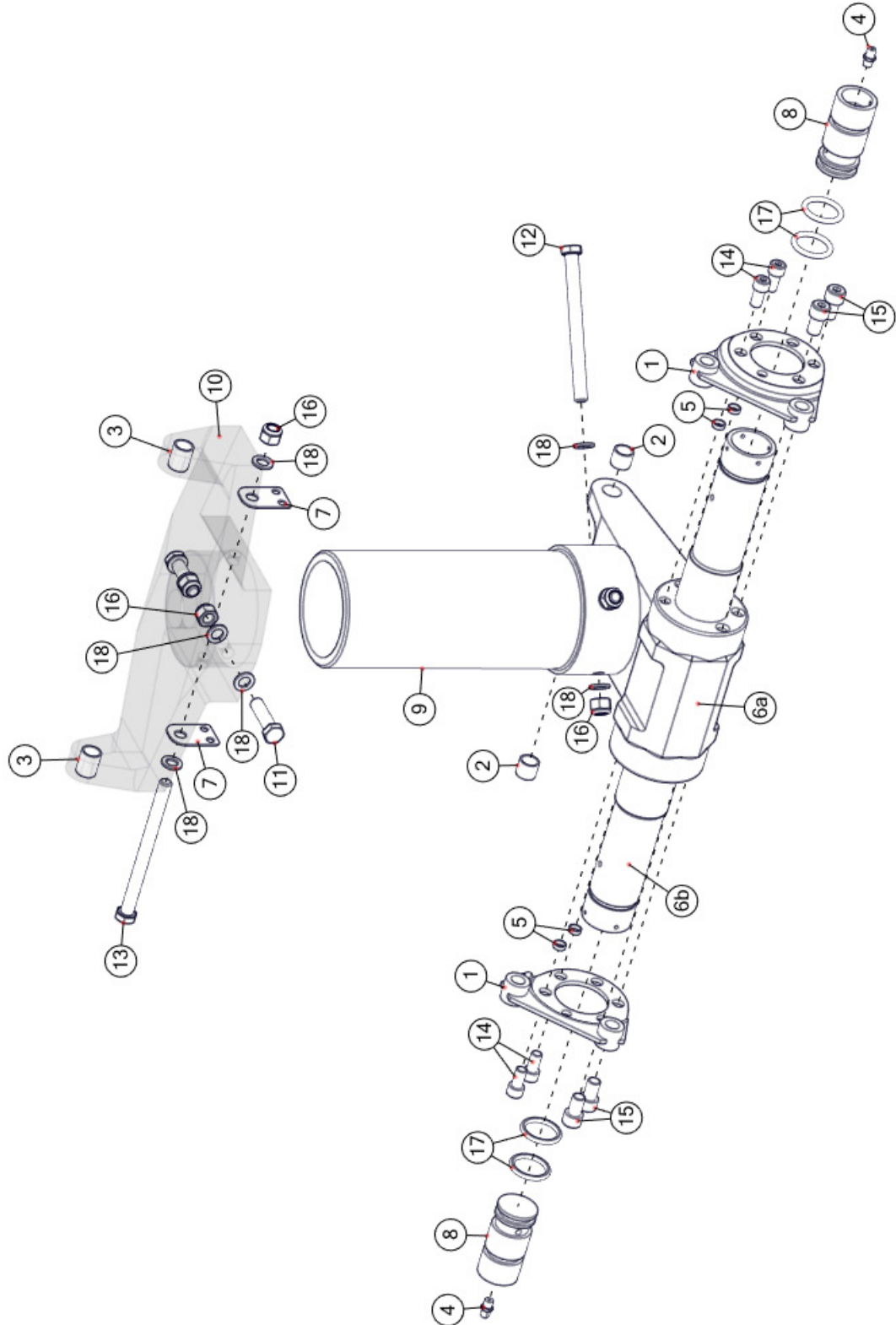


1002068 ASSEMBLY, SHOCK STRUT

| ITEM | QTY | PART NO. | PART DESCRIPTION |
|------|-----|---------------|--|
| 1 | 1 | 1002017 | GLAND, SHOCK STRUT |
| 2 | 1 | 1002018 | OUTER CYLINDER, SHOCK STRUT |
| 3 | 2 | 1002027 | T-SEAL |
| 4 | 3 | 1002028 | T-SEAL |
| 5* | 1 | 1002650 | END CAP, ASSEMBLY, OUTER CYLINDER, SHOCK STRUT |
| 5a | 2 | 1002016 | END CAP, OUTER CYLINDER, SHOCK STRUT |
| 5b | 1 | 08DU08 | BUSHING |
| 6* | 1 | 1002651 | CAP, TOP, ASSEMBLY, SHOCK STRUT |
| 6a | 1 | 1002015 | CAP, TOP, SHOCK STRUT |
| 6b | 2 | 08DU08 | BUSHING |
| 7 | 1 | 1002653 | CYLINDER, INNER, SHOCK STRUT |
| 8 | 1 | 1002654 | PISTON, SHOCK STRUT |
| 9 | 1 | 1009966 | WIPER, SHOCK STRUT, T-SEAL |
| 10 | 1 | 6A04270-001 | ROD, PISTON, SHOCK STRUT |
| 11 | 1 | 6A04271-003 | PLUG, SHOCK STRUT |
| 12 | 1 | 6A04275-001 | NET, CHECK, SHOCK STRUT |
| 13 | 1 | 6A04276-001 | NUT, CHECK, SHOCK STRUT |
| 14 | 1 | 6P04261-007 | PIN, METERING |
| 15 | 1 | 8A3-5086 | PLACARD, HYDRAULIC CYLINDER |
| 16 | 1 | MS28775-015 | O-RING |
| 17 | 1 | MS28775-111 | O-RING |
| 18 | 1 | MS28775-116 | O- RING |
| 19 | 1 | MS28889-2 | VALVE |
| 20 | 16 | MS35333-39 | WASHER |
| 21 | 16 | NAS1103-2 | BOLT |
| 22 | 16 | NAS1149D0363J | WASHER |

*See [Nomenclature System](#) section when ordering assemblies

6A04000-015 ASSEMBLY, MAIN GEAR AXLE

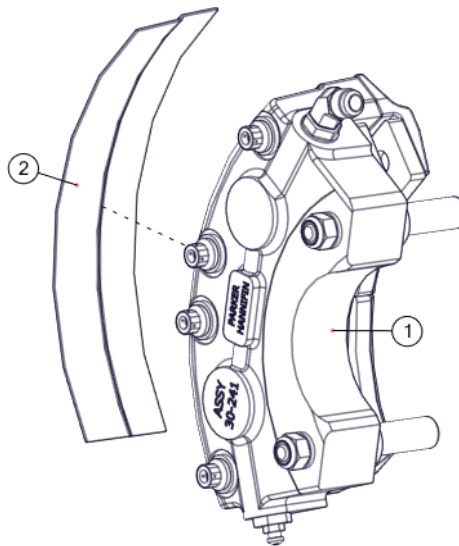


6A04000-015 ASSEMBLY, MAIN GEAR AXLE

| ITEM | QTY | PART NO. | PART DESCRIPTION |
|------|-----|---------------|--|
| 1 | 2 | 075-20700 | TORQUE PLATE |
| 2 | 2 | 08DU08 | BUSHING |
| 3 | 2 | 08DU12 | BUSHING |
| 4 | 2 | 1095K41 | GREASE ZERK |
| 5 | 4 | 30A04523-002 | BUSHING, TORQUE PLATE |
| 6* | 1 | 6A04000-016 | ASSEMBLY, AXLE |
| 6a | 1 | 6A04307-001 | FITTING, AXLE, MAIN GEAR (not sold seperately) |
| 6b | 1 | 6A04510-001 | AXLE, MAIN WHEEL (not sold seperately) |
| 7 | 2 | 6A04008-024 | CLIP, BRAKE LINE |
| 8 | 2 | 6A04263-003 | INSERT, GREASE WHEEL |
| 9 | 1 | 6A04297-001 | TUBE, MAIN GEAR, DRAG BRACE |
| 10 | 1 | 6A04311-001 | DRAG BRACE |
| 11 | 2 | AN6-13A | BOLT |
| 12 | 2 | AN6-43A | BOLT |
| 13 | 1 | AN6-46A | BOLT |
| 14 | 4 | MS16997-77 | SCREW |
| 15 | 4 | MS16997-96 | SCREW |
| 16 | 5 | MS21044N6 | NUT |
| 17 | 4 | MS28775-214 | O-RING |
| 18 | 10 | NAS1149D0663J | WASHER |

*See [Nomenclature System](#) section when ordering assemblies

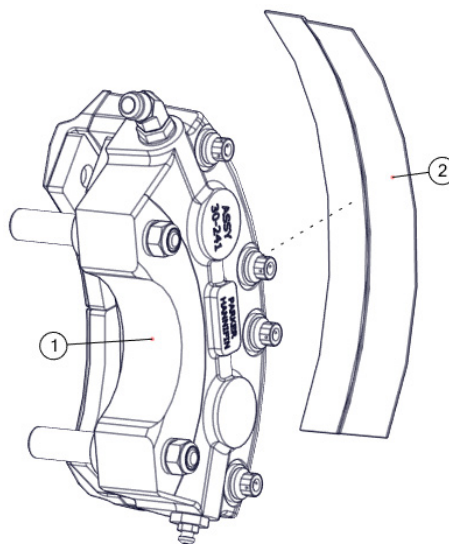
ASSEMBLY, BRAKE CALIPER, RIGHT INSTALLED



6A04000-104 ASSEMBLY, BRAKE CALIPER, RIGHT

| ITEM | QTY | PART NO. | PART DESCRIPTION |
|------|-----|-------------|---------------------------------------|
| 1 | 1 | 091-21600 | BRAKE CALIPER, PARKER |
| 2 | 1 | 6A04561-001 | FILM, BRAKE CALIPER SURFACE PROTECTOR |

ASSEMBLY, BRAKE CALIPER, LEFT INSTALLED

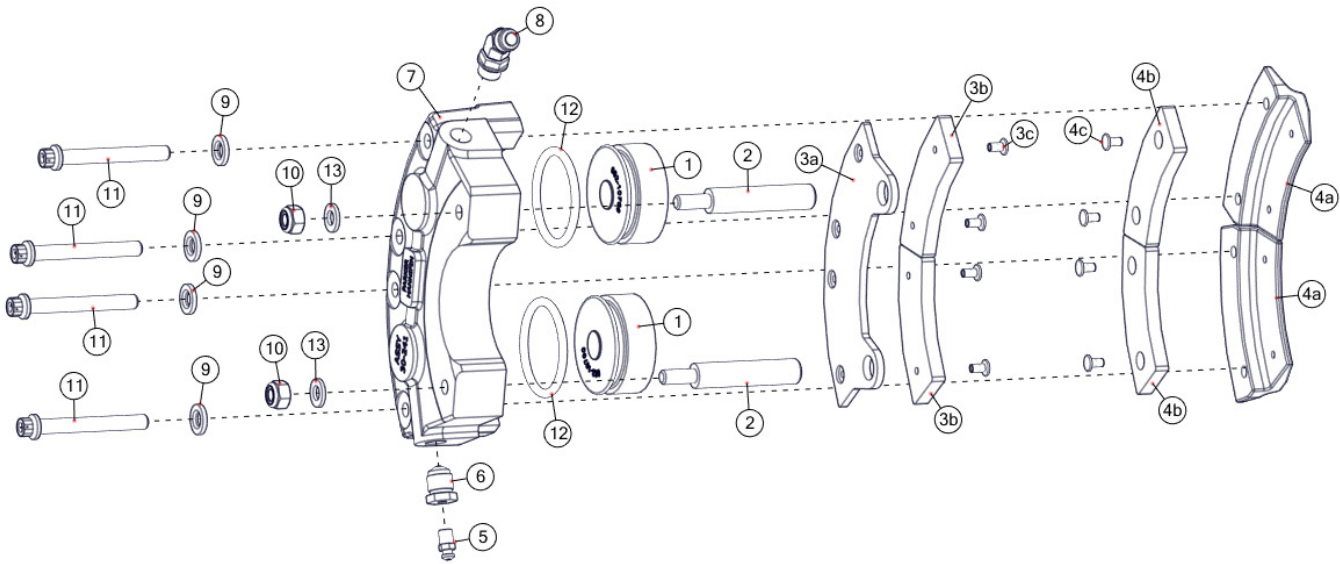


6A04000-105 ASSEMBLY, BRAKE CALIPER, LEFT

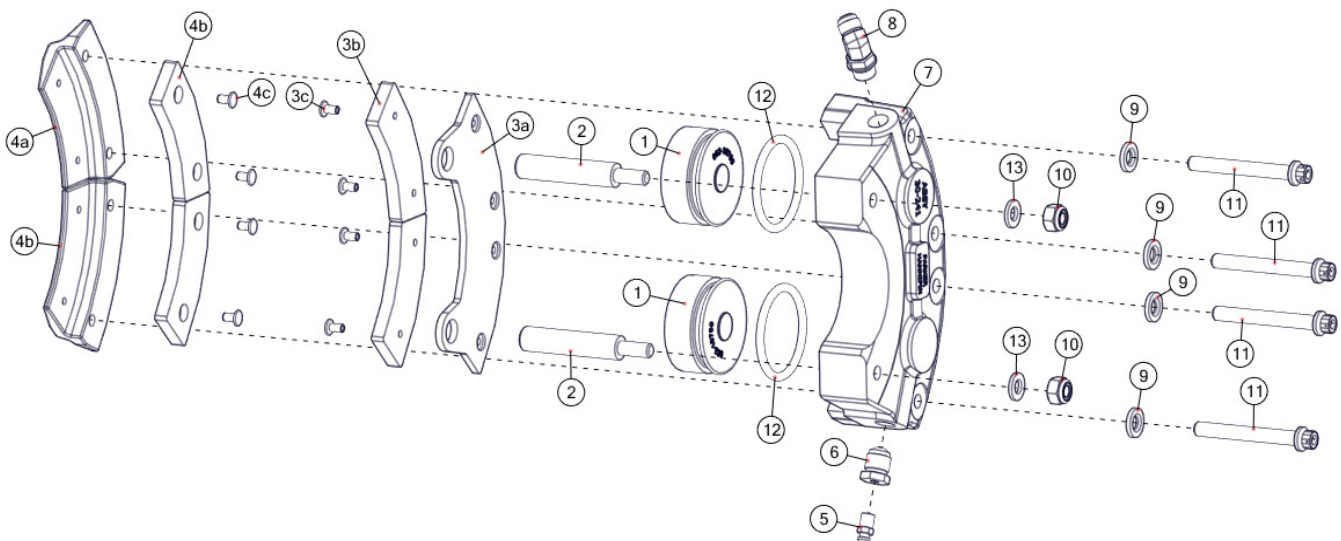
| ITEM | QTY | PART NO. | PART DESCRIPTION |
|------|-----|-------------|---------------------------------------|
| 1 | 1 | 091-21600 | BRAKE CALIPER, PARKER |
| 2 | 1 | 6A04561-001 | FILM, BRAKE CALIPER SURFACE PROTECTOR |

091-21600 ASSEMBLY, BRAKE CALIPER, PARKER

RIGHT INSTALLED



LEFT INSTALLED



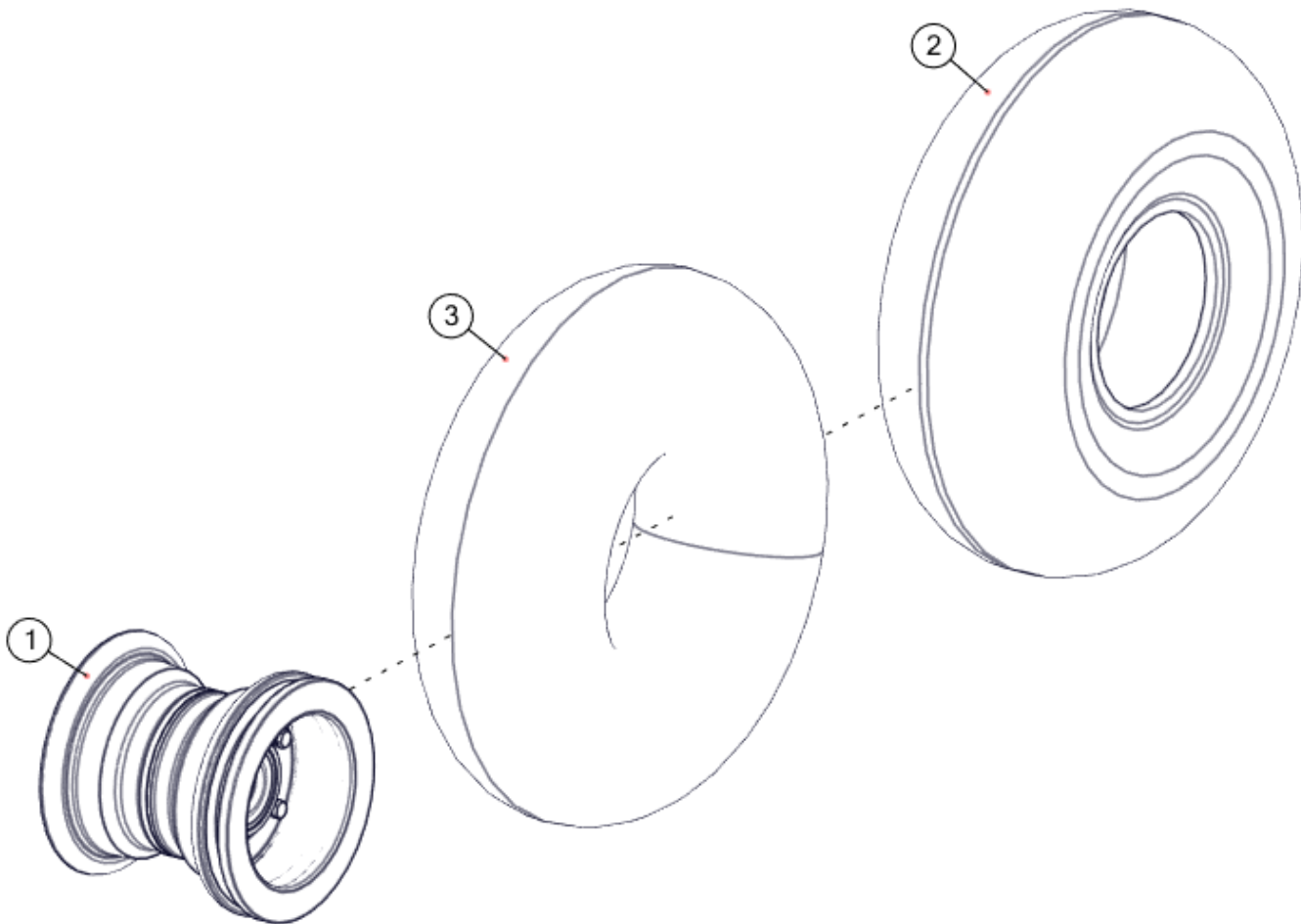
PARTS MANUAL FOR RIVETED
 WIPLINE MODEL 6100 AMPHIBIAN FLOATS SERIAL NUMBERS 61500 AND UP

091-21600 ASSEMBLY, BRAKE CALIPER, PARKER

| ITEM | QTY | PART NO. | PART DESCRIPTION |
|------|-----|---------------|--------------------------|
| 1 | 1 | 062-10700 | PISTON |
| 2 | 1 | 069-03100 | BOLT, ANCHOR |
| 3* | 1 | 073-04200 | ASSEMBLY, PRESSURE PLATE |
| 3a | 1 | 063-01100 | PRESSURE PLATE |
| 3b | 2 | 066-10500 | BRAKE LINING, 30-241 |
| 3c | 4 | 105-00200 | RIVET, BRAKE PAD |
| 4* | | 074-02900 | ASSEMBLY, BACK PLATE |
| 4a | | 064-01500 | BACK PLATE |
| 4b | | 066-10500 | BRAKE LINING, 30-241 |
| 4c | | 105-00200 | RIVET, BRAKE PAD |
| 5 | | 079-00300 | SCREW BLEEDER |
| 6 | | 081-00200 | SEAT BLEEDER |
| 7 | | 061-16600 | CYLINDER |
| 8 | | 104-04700 | FITTING |
| 9 | | MS20002C4 | WASHER |
| 10 | | MS21044N4 | NUT |
| 11 | | MS21250H04026 | BOLT |
| 12 | | MS28775-222 | O-RING |
| 13 | | NAS1149F0463P | WASHER |

*See [Nomenclature System](#) section when ordering assemblies

8A04000-031 ASSEMBLY, MAIN WHEEL, WITH TIRE AND TUBE

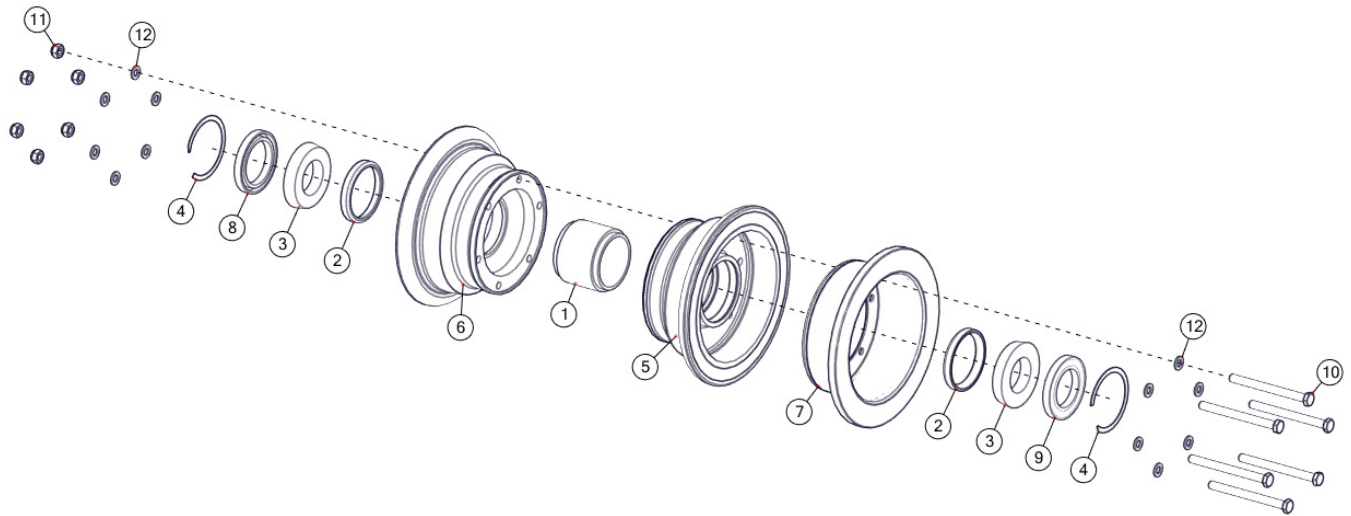


8A04000-031 ASSEMBLY, MAIN WHEEL, WITH TIRE AND TUBE

| ITEM | QTY | PART NO. | PART DESCRIPTION |
|------|-----|----------|----------------------|
| 1 | 1 | 40-418-3 | ASSEMBLY, MAIN WHEEL |
| 2 | 1 | AA1E6* | TIRE |
| 3 | 1 | XA1AD* | TUBE |

* Any alternate tire (tube type) which is TSO-approved, matches the listed tire's dimensions, and meets its speed/load/ply ratings may be used. Equivalent tubes may also be used.

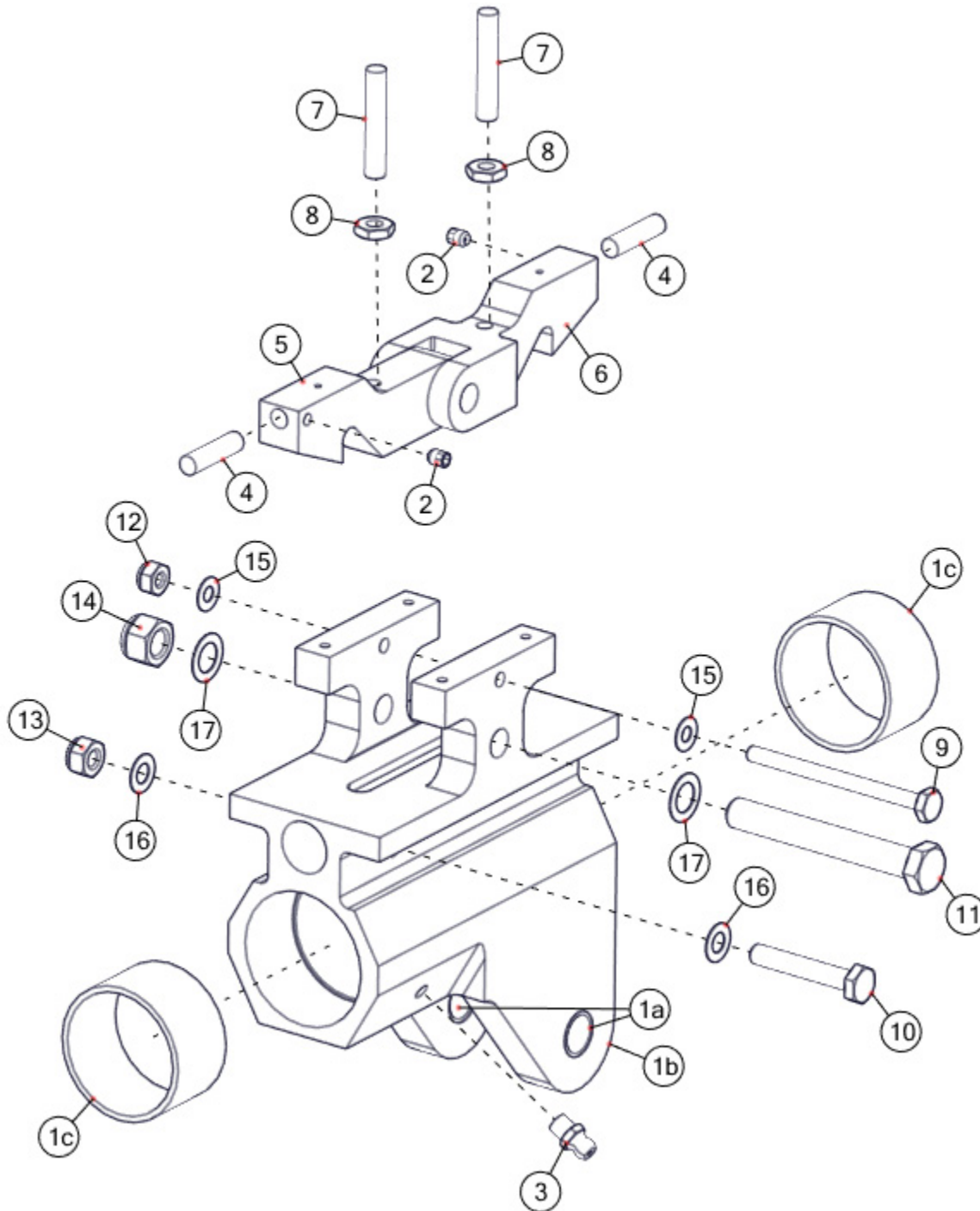
40-418-3 ASSEMBLY, MAIN WHEEL



40-418-3 ASSEMBLY, MAIN WHEEL

| ITEM | QTY | PART NO. | PART DESCRIPTION |
|------|-----|---------------|-------------------|
| 1 | 1 | 067-14700 | GREASE RETAINER |
| 2 | 2 | 13836 | BEARING CUP |
| 3 | 2 | 13889 | BEARING CONE |
| 4 | 2 | 155-143 | SNAP RING |
| 5 | 1 | 161-19900 | INNER, WHEEL HALF |
| 6 | 1 | 162-19900 | OUTER, WHEEL HALF |
| 7 | 1 | 164-24501 | BRAKE DISC |
| 8 | 1 | 472439 | SEAL |
| 9 | 1 | 473232 | SEAL |
| 10 | 6 | AN5-35A | BOLT |
| 11 | 6 | MS21044N5 | NUT |
| 12 | 12 | NAS1149D0563J | WASHER |

1002643 ASSEMBLY, CARRIAGE

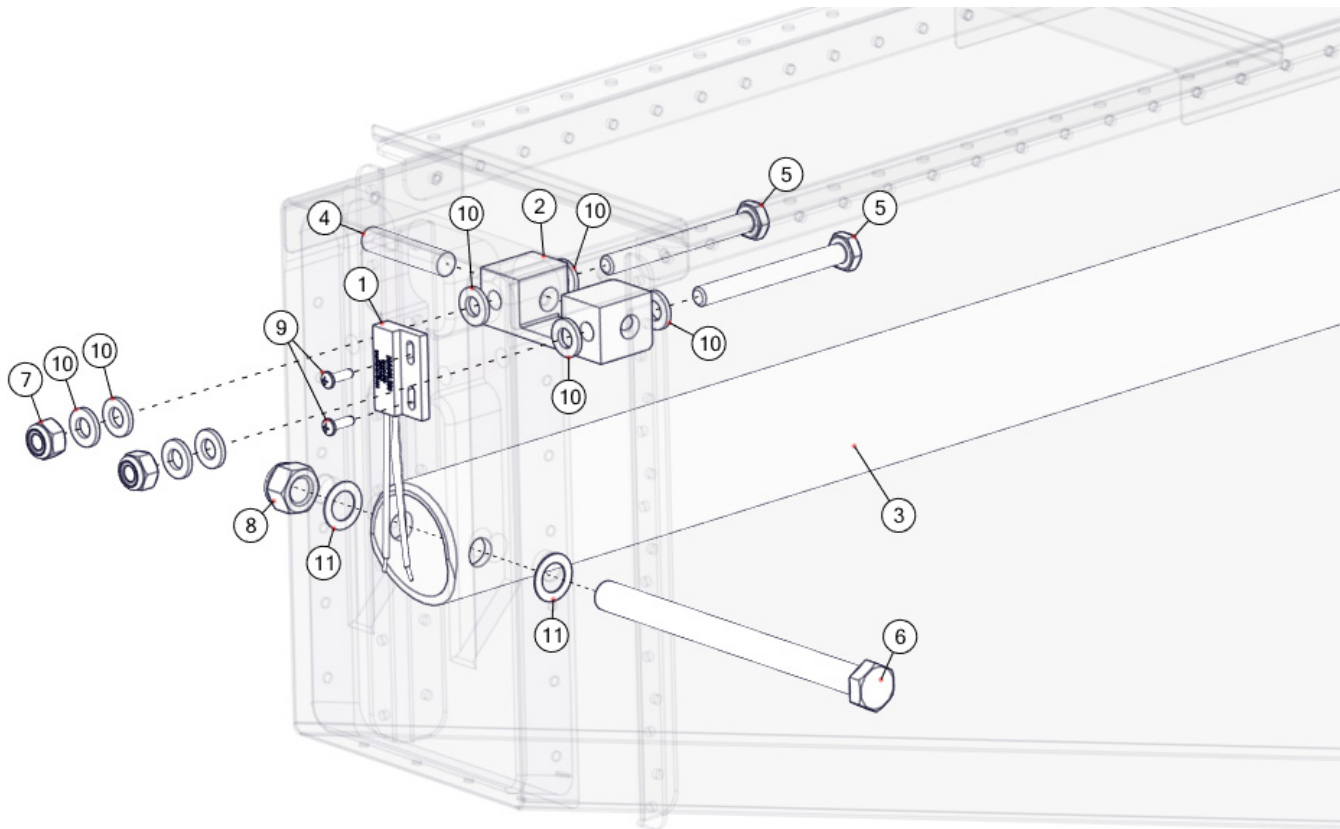


1002643 ASSEMBLY, CARRIAGE

| ITEM | QTY | PART NO. | PART DESCRIPTION |
|------|-----|----------------|-----------------------------------|
| 1* | 1 | 1002642 | ASSEMBLY, CARRIAGE, WITH BUSHINGS |
| 1a | 2 | 08DU08 | BUSHING |
| 1b | 1 | 1002621 | CARRIAGE, MAIN GEAR |
| 1c | 2 | 26DU16 | BUSHING |
| 2 | 2 | 1032 NF X 3/16 | SET SCREW |
| 3 | 1 | 1095K41 | GREASE FITTING |
| 4 | 2 | 3A05701-001 | MAGNET, HOOK LATCH, MAIN GEAR |
| 5 | 1 | 6A05041-001 | LOCK, MAIN, FORWARD |
| 6 | 1 | 6A05042-001 | HOOK, MAIN GEAR LOCK |
| 7 | 2 | 6A05087-001 | SCREW, ADJUSTING, MAIN GEAR LOCK |
| 8 | 1 | AN3-25A | BOLT |
| 9 | 2 | AN316-4R | NUT |
| 10 | 1 | AN4-14A | BOLT |
| 11 | 1 | AN6-26A | BOLT |
| 12 | 1 | MS21044N3 | NUT |
| 13 | 1 | MS21044N4 | NUT |
| 14 | 1 | MS21044N6 | NUT |
| 15 | 2 | NAS1149D0316J | WASHER |
| 16 | 2 | NAS1149D0416J | WASHER |
| 17 | 1 | NAS1149D0616J | WASHER |

*See [Nomenclature System](#) section when ordering assemblies

MAIN GEAR ASSEMBLY DETAIL A SLIDE TUBE COMPONENTS

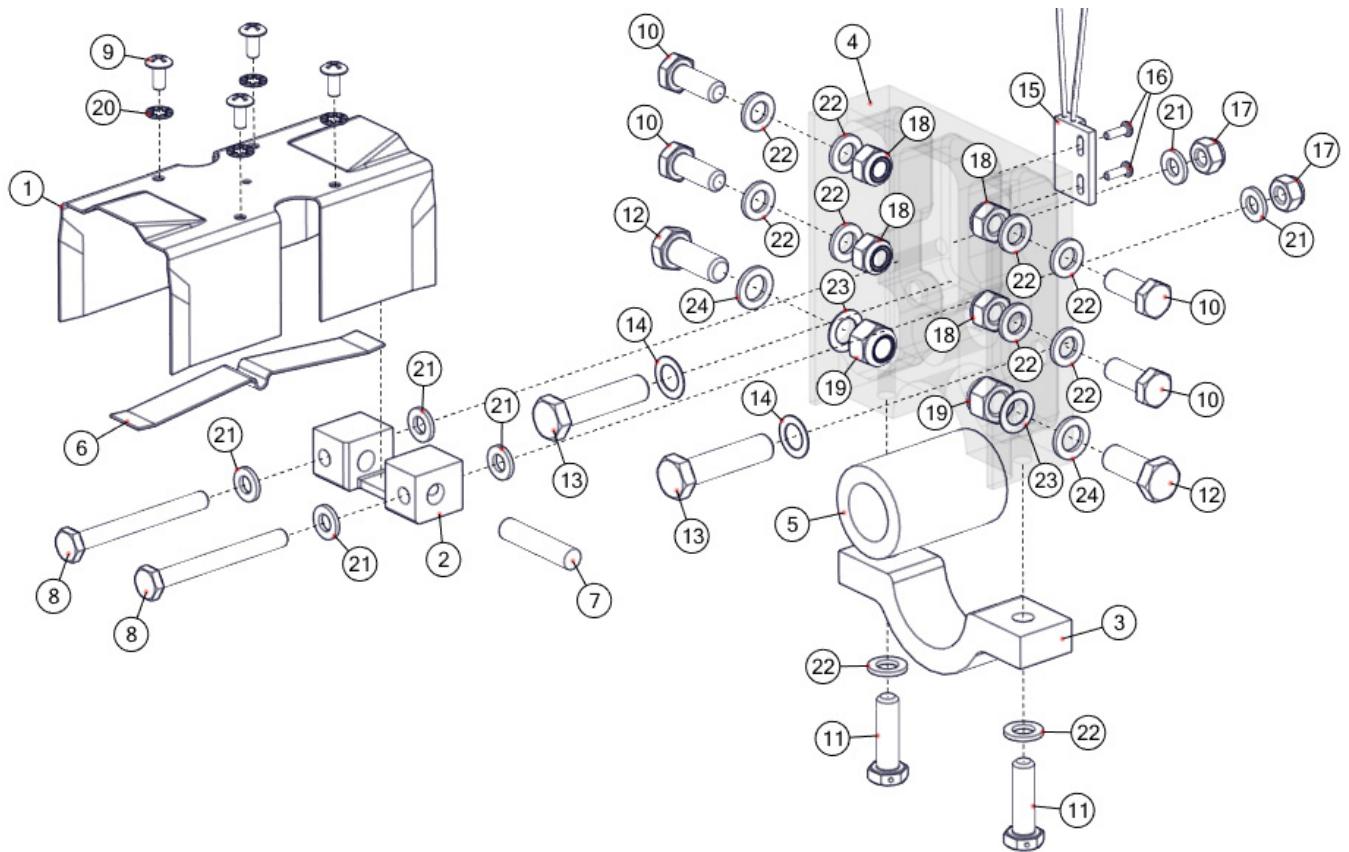


MAIN GEAR ASSEMBLY DETAIL A SLIDE TUBE COMPONENTS

| ITEM | QTY | PART NO. | PART DESCRIPTION |
|------|-----|---------------|----------------------------------|
| 1 | 1 | 5801 | MAGNET SWITCH |
| 2 | 1 | 6A05193-001 | HOOK PIN, HOLDER |
| 3 | 1 | 6A05402-003 | TUBE, SLIDE, MAIN GEAR, CARRIAGE |
| 4 | 1 | 6A05702-008 | PIN, MAIN GEAR LOCK |
| 5 | 2 | AN4-23A | BOLT |
| 6 | 1 | AN6-47A | BOLT |
| 7 | 2 | MS21044N4 | NUT |
| 8 | 1 | MS21044N6 | NUT |
| 9 | 2 | MS35206-215 | SCREW |
| 10 | 8 | NAS1149D0463J | WASHER |
| 11 | 2 | NAS1149D0663J | WASHER |

*See [Detailed Views](#) section for Detailed Views explanation

MAIN GEAR ASSEMBLY DETAIL B SLIDE TUBE HOUSING COMPONENTS



MAIN GEAR ASSEMBLY DETAIL B SLIDE TUBE HOUSING COMPONENTS

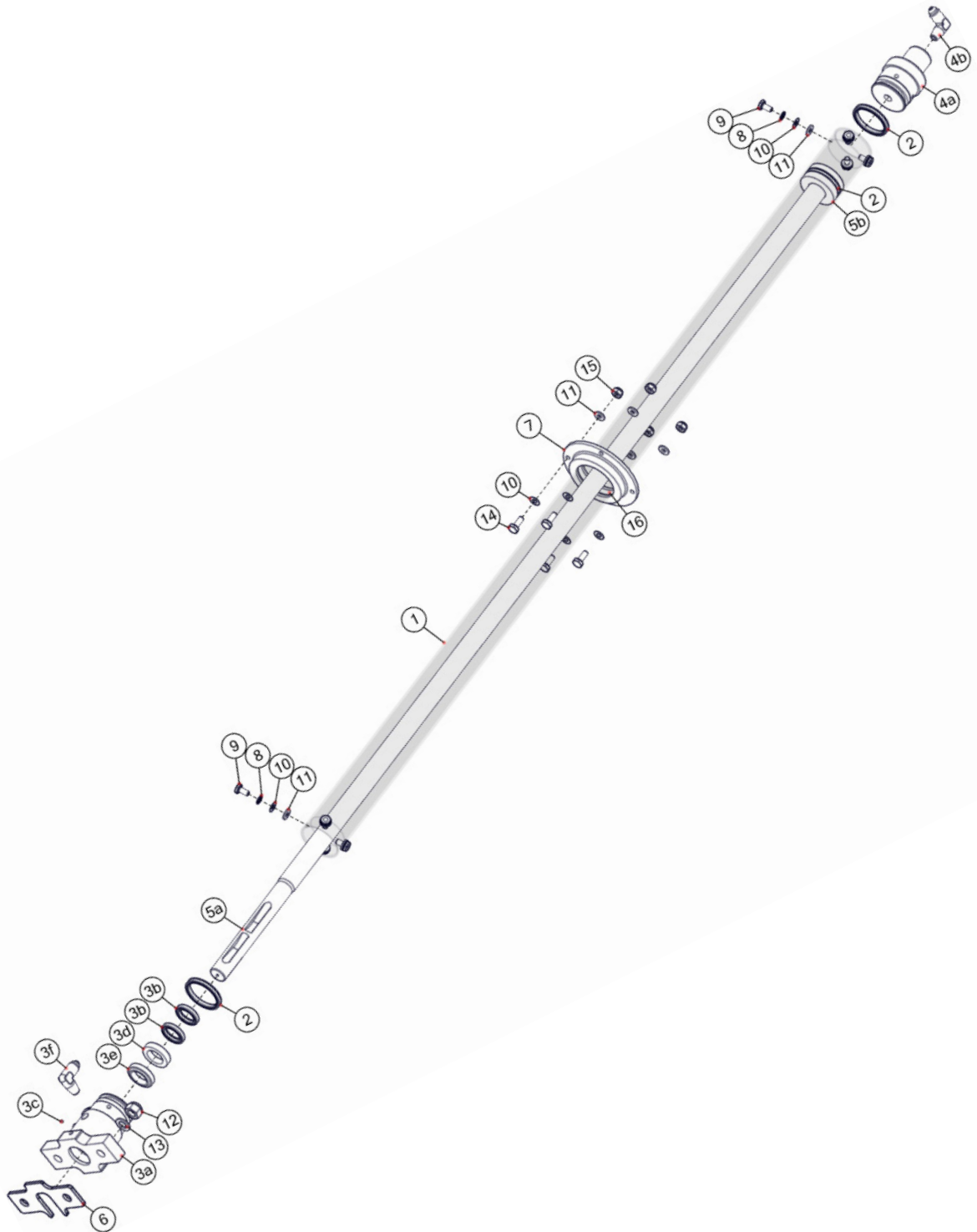
| ITEM | QTY | PART NO. | PART DESCRIPTION |
|------|-----|---------------|--------------------------|
| 1 | 1 | 6A05158-019 | COVER, SLIDE TUBE TRUCK |
| 2 | 1 | 6A05193-001 | HOOK PIN, HOLDER |
| 3 | 1 | 6A05196-001 | CLAMP, AFT, SLIDE TUBE |
| 4 | 1 | 6A05208-001 | FITTING, AFT, SLIDE TUBE |
| 5 | 1 | 6A05259-002 | END, SLIDE TUBE |
| 6 | 1 | 6A05533-001 | SPRING, MAIN GEAR LOCK |
| 7 | 1 | 6A05702-008 | PIN, MAIN GEAR LOCK |
| 8 | 2 | AN4-23A | BOLT |
| 9 | 4 | AN526-832R6 | SCREW |
| 10 | 4 | AN5-6A | BOLT |
| 11 | 2 | AN5H10A | BOLT |
| 12 | 2 | AN6-7A | BOLT |
| 13 | 2 | AN6-14A | BOLT |
| 14 | 2 | NAS1149D0616J | WASHER |
| 15 | 1 | 5801 | MAGNET SWITCH |
| 16 | 2 | MS35206-215 | SCREW |
| 17 | 2 | MS21044N4 | NUT |
| 18 | 4 | MS21044N5 | NUT |
| 19 | 2 | MS21044N6 | NUT |
| 20 | 4 | MS35333-39 | STAR WASHER |
| 21 | 6 | NAS1149D0463J | WASHER |
| 22 | 10 | NAS1149D0563J | WASHER |
| 23 | 2 | NAS1149D0616J | WASHER |
| 24 | 2 | NAS1149D0663J | WASHER |

MAIN GEAR ASSEMBLY DETAIL C - MAIN GEAR CYLINDER COMPONENTS

PARTS MANUAL FOR RIVETED

WIPLINE MODEL 6100 AMPHIBIAN FLOATS SERIAL NUMBERS 61500 AND UP

MAIN GEAR ASSEMBLY DETAIL C MAIN GEAR CYLINDER COMPONENTS

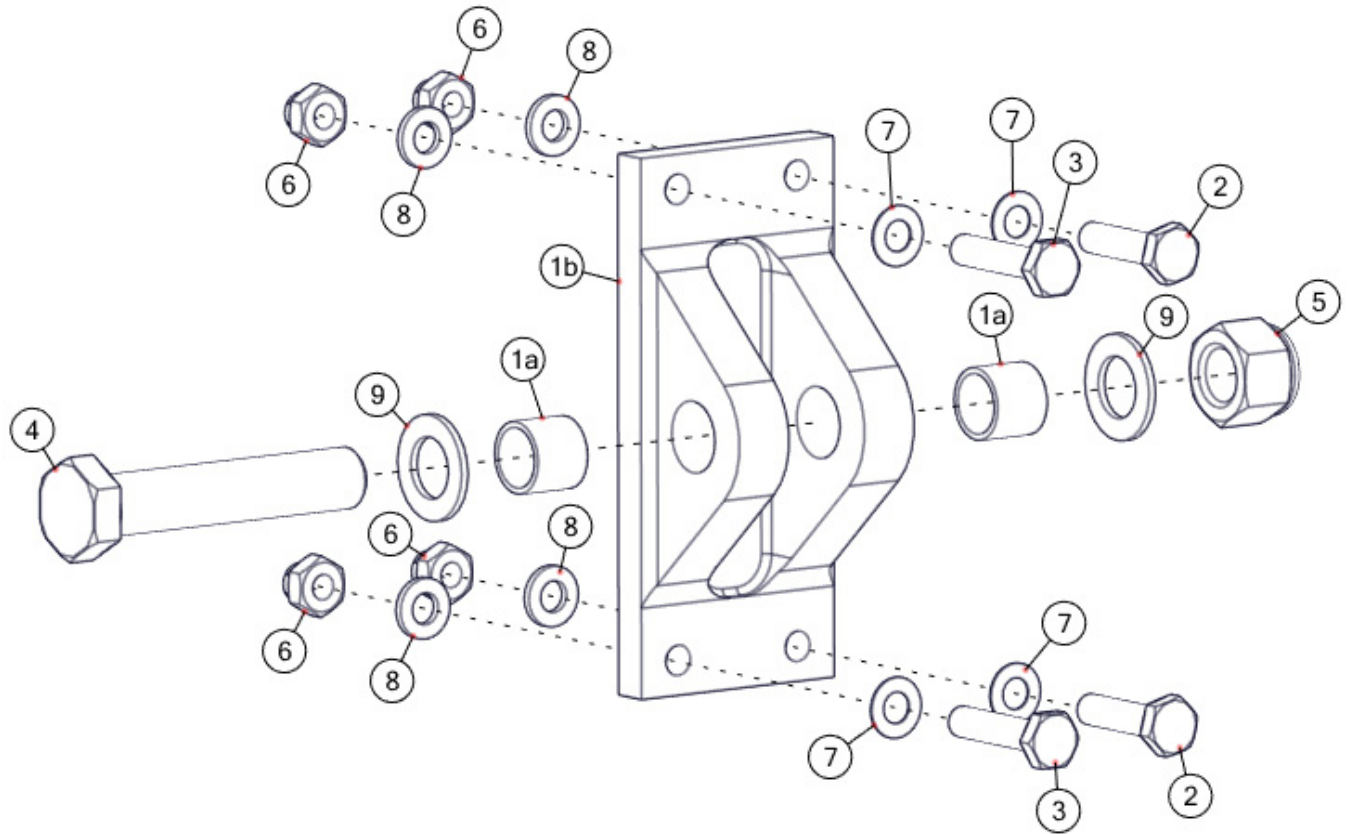


MAIN GEAR ASSEMBLY DETAIL C MAIN GEAR CYLINDER COMPONENTS

| ITEM | QTY | PART NO. | PART DESCRIPTION |
|---------|-----|---------------|--|
| 1 | 1 | 1002022 | CYLINDER, RAM, MAIN |
| 2 | 3 | 1002229 | PISTON, T-SEAL |
| 3* | 1 | 1002235 | ASSEMBLY, CYLINDER FLANGE |
| 3a | 1 | 1002008 | FLANGE, CYLINDER, MAIN GEAR RAM |
| 3b | 2 | 1002231 | ROD, T-SEAL |
| 3c | 1 | 1214K1 | VALVE |
| 3d | 1 | 6A05580-004 | WIPER, MAIN GEAR |
| 3e | 1 | 8880410 | WIPER |
| 3f | 1 | MS20822-4D | FITTING, ELBOW |
| 4* | 1 | 1002236 | ASSEMBLY, CYLINDER END CAP |
| 4a | 1 | 1002011 | END, CAP, HYDRAULIC CYLINDER |
| 4b | 1 | MS20822-4D | FITTING, ELBOW |
| 5* | 1 | 1002639 | ASSEMBLY, RAM, MAIN GEAR |
| 5a | 1 | 1002639-10 | SHAFT, RAM, MAIN GEAR (not sold separately) |
| 5b | 1 | 6A05545-001 | PISTON, RAM, MAIN GEAR (not sold separately) |
| 6 | 1 | 6A05156-026 | SHIM, FLANGE, CYLINDER, MAIN GEAR (0.10") |
| 6 (ALT) | 1 | 6A05001-007 | SHIM, FLANGE, CYLINDER, MAIN GEAR (0.125") |
| 7 | 1 | 6A05181-001 | RETAINING RING, MAIN GEAR RAM CYLINDER |
| 8 | 8 | MS35333-39 | STAR WASHER |
| 9 | 8 | NAS1103-2 | BOLT |
| 10 | 12 | NAS1149D0316J | WASHER |
| 11 | 12 | NAS1149D0363J | WASHER |
| 12 | 2 | MS21044N6 | NUT |
| 13 | 2 | NAS1149D0663J | WASHER |
| 14 | 4 | AN3-4A | BOLT |
| 15 | 4 | MS21044N3 | NUT |
| 16 | 1 | MS28775-327 | O-RING |

*See [Nomenclature System](#) section when ordering assemblies

MAIN GEAR ASSEMBLY DETAIL D TRUNNION COMPONENTS



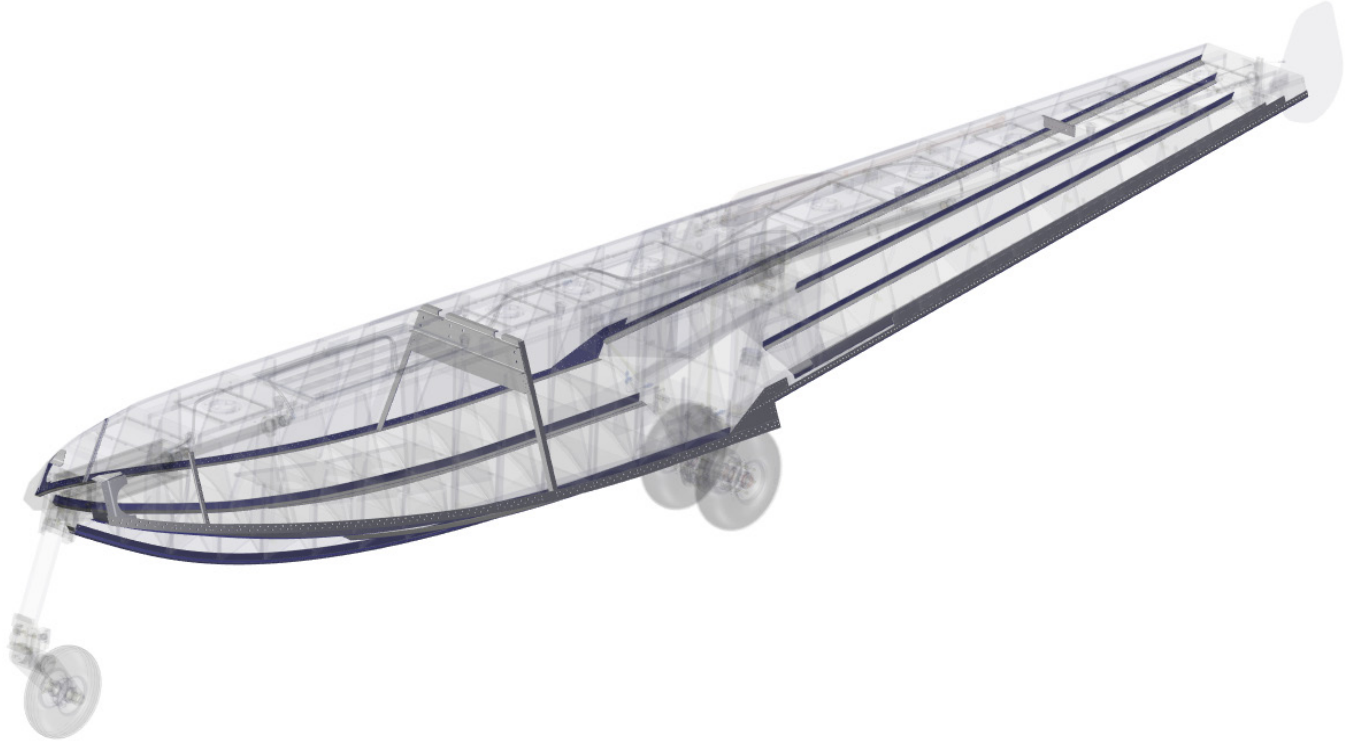
MAIN GEAR ASSEMBLY DETAIL D TRUNNION COMPONENTS

| ITEM | QTY | PART NO. | PART DESCRIPTION |
|------|-----|---------------|-------------------------------|
| 1* | 1 | 6A04000-054 | ASSEMBLY, TRUNNION, MAIN GEAR |
| 1a | 2 | 08DU08 | BUSHING |
| 1b | 1 | 6A04192-001 | TRUNNION, MAIN GEAR |
| 2 | 2 | AN4-10A | BOLT |
| 3 | 2 | AN4-11A | BOLT |
| 4 | 1 | AN8-24A | BOLT |
| 5 | 1 | MS21044N8 | NUT |
| 6 | 4 | MS21045-4 | NUT |
| 7 | 4 | NAS1149D0416J | WASHER |
| 8 | 4 | NAS1149D0463J | WASHER |
| 9 | 2 | NAS1149D0863J | WASHER |

*See [Nomenclature System](#) section when ordering assemblies

THIS PAGE INTENTIONALLY LEFT BLANK

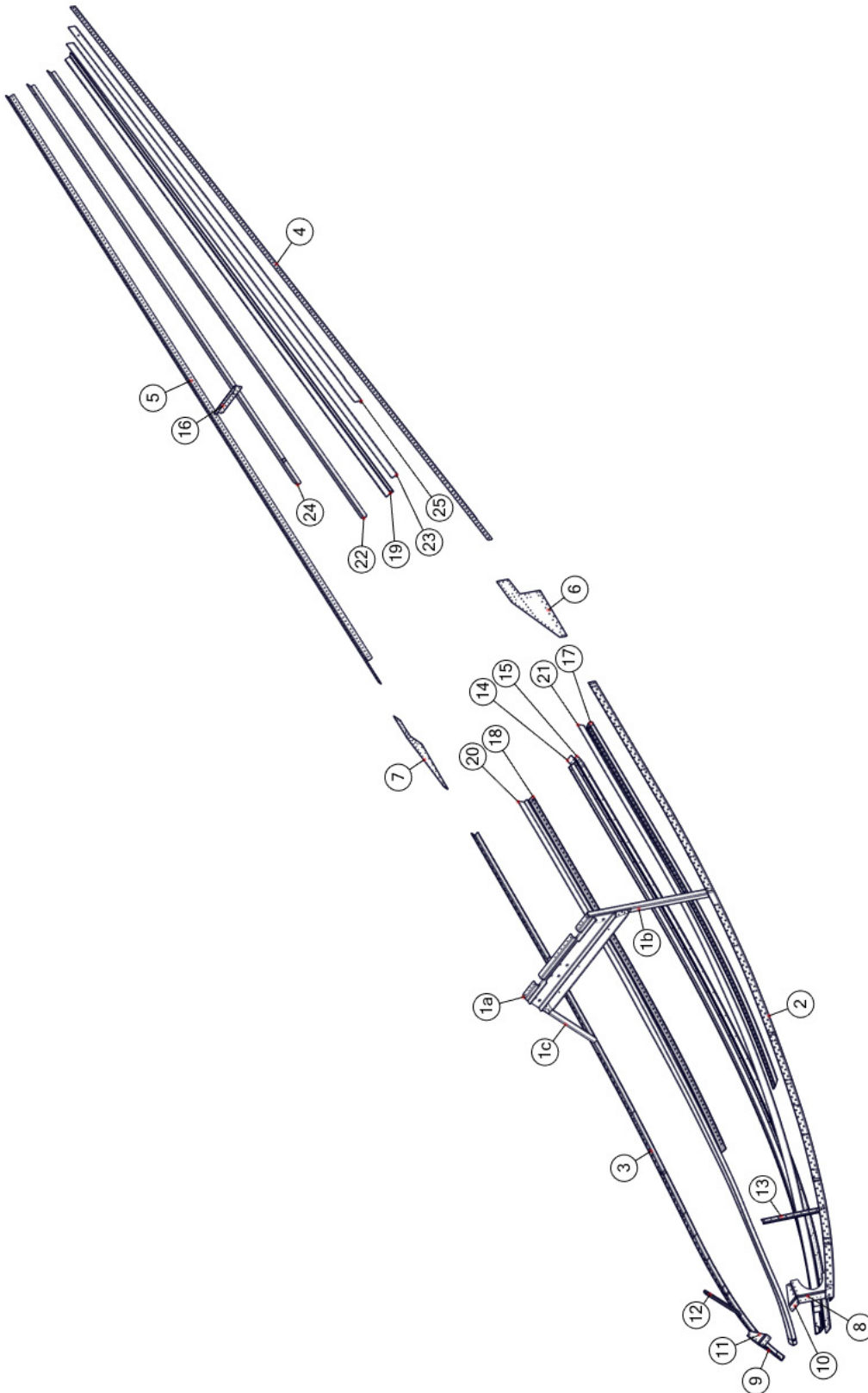
SECTION 8 ADDITIONAL STRUCTURAL MEMBERS



CONTENTS

| | |
|--|-----|
| ADDITIONAL STRUCTURAL MEMBERS, LEFT FLOAT | 124 |
| ADDITIONAL STRUCTURAL MEMBERS, RIGHT FLOAT | 126 |

ADDITIONAL STRUCTURAL MEMBERS, LEFT FLOAT

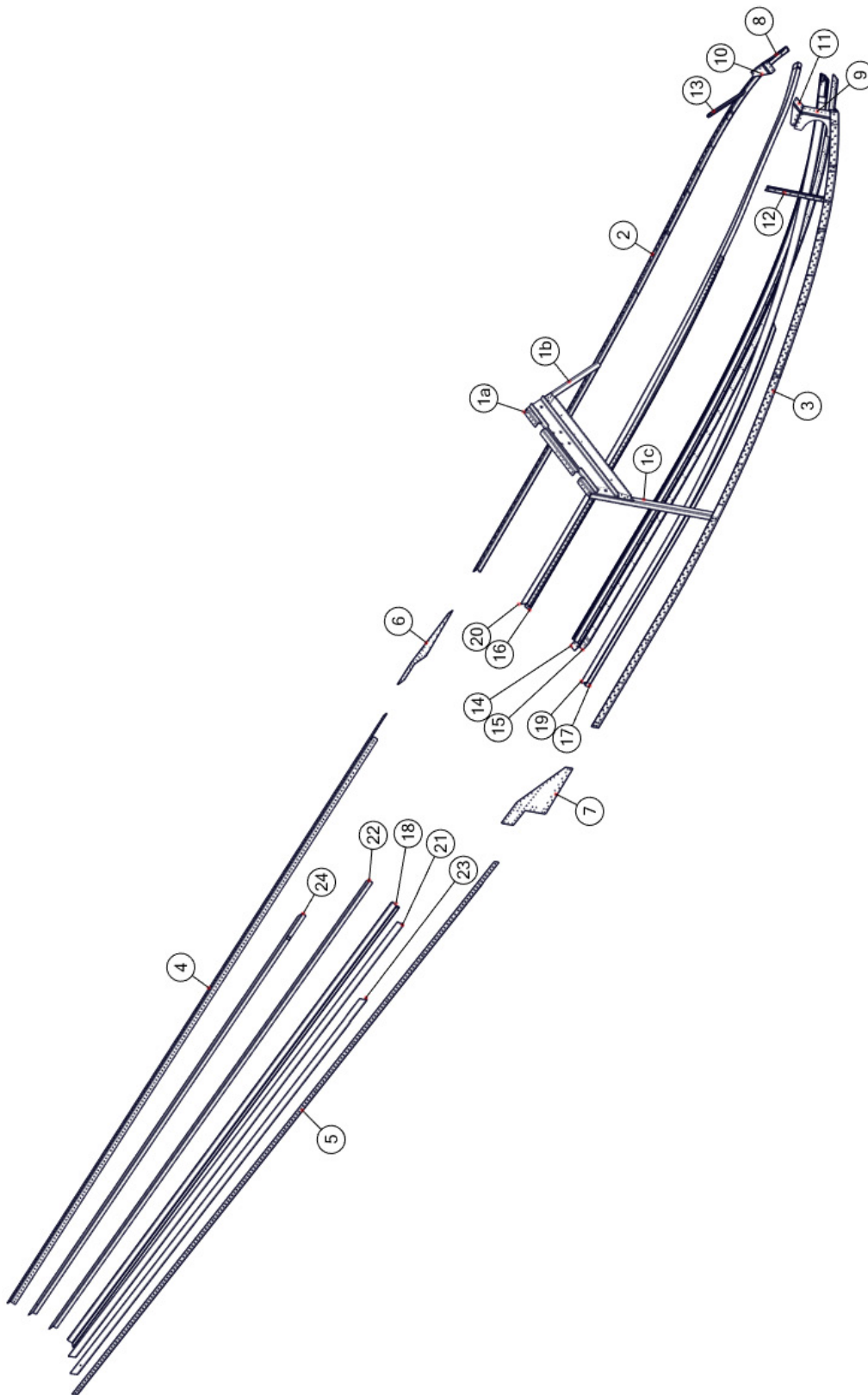


ADDITIONAL STRUCTURAL MEMBERS, LEFT FLOAT

| ITEM | QTY | PART NO. | PART DESCRIPTION |
|------|-----|-------------|--|
| 1* | 1 | 1007527 | ASSEMBLY, PANEL, FORWARD SPREADER BAR, REAR, LEFT FLOAT |
| 1a | 1 | 1007616 | PANEL, FORWARD SPREADER BAR, REAR, LEFT FLOAT |
| 1b | 1 | 1007861 | ANGLE, ATTACH, SIDE SKIN, LEFT, FORWARD SPREADER BAR REAR PANEL |
| 1c | 1 | 1007862 | ANGLE, ATTACH, SIDE SKIN, RIGHT, FORWARD SPREADER BAR REAR PANEL |
| 2 | 1 | 1007552 | CHINE, FORWARD, LEFT |
| 3 | 1 | 1007553 | CHINE, FORWARD, RIGHT |
| 4 | 1 | 1007556 | CHINE, AFT, LEFT |
| 5 | 1 | 1007557 | CHINE, AFT, RIGHT |
| 6 | 1 | 1007735 | DOUBLER, SIDE SKIN, CHINE, LEFT |
| 7 | 1 | 1007736 | DOUBLER, SIDE SKIN, CHINE, RIGHT |
| 8 | 1 | 1007745 | DOUBLER, SIDE SKIN, NOSE, LEFT |
| 9 | 1 | 1007746 | DOUBLER, SIDE SKIN, NOSE, RIGHT |
| 10 | 1 | 1007747 | DOUBLER, TOP SKIN, NOSE, LEFT |
| 11 | 1 | 1007748 | DOUBLER, TOP SKIN, NOSE, RIGHT |
| 12 | 1 | 1007781 | STIFFENER, SIDE SKIN, RIGHT |
| 13 | 1 | 1007782 | STIFFENER, SIDE SKIN, LEFT |
| 14 | 1 | 1007785 | KEEL, MAIN, FORWARD |
| 15 | 1 | 1007786 | WEAR STRIP, MAIN KEEL |
| 16 | 1 | 1007879 | ANGLE, DOUBLER, BULKHEAD 18 |
| 17 | 1 | 6A01342-003 | SISTER KEEL, OUTER, LEFT |
| 18 | 1 | 6A01342-004 | SISTER KEEL, OUTER, RIGHT |
| 19 | 1 | 6A01347-003 | KEEL, AFT |
| 20 | 1 | 6A01361-004 | SISTER KEEL, INNER FORWARD, RIGHT |
| 21 | 1 | 6A01361-005 | SISTER KEEL, INNER FORWARD, LEFT |
| 22 | 1 | 6A01361-006 | SISTER KEEL, AFTERBODY, INNER, RIGHT |
| 23 | 1 | 6A01361-007 | SISTER KEEL, AFTERBODY, INNER, LEFT |
| 24 | 1 | 6A01361-008 | SISTER KEEL, OUTER AFT, RIGHT |
| 25 | 1 | 6A01361-009 | SISTER KEEL, OUTER AFT, LEFT |

*See [Nomenclature System](#) section when ordering assemblies

ADDITIONAL STRUCTURAL MEMBERS, RIGHT FLOAT



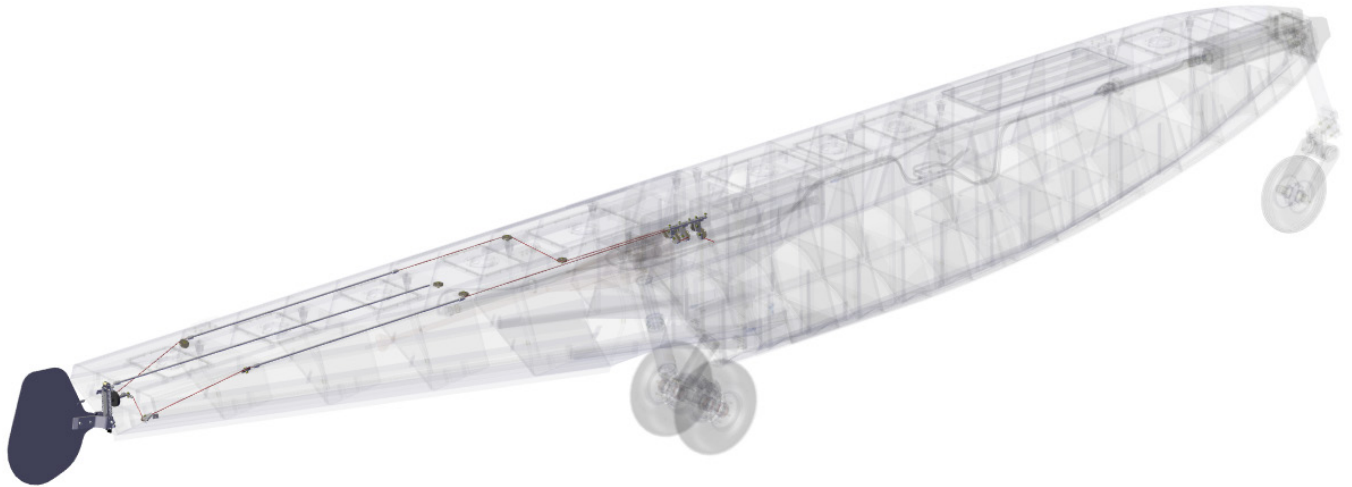
ADDITIONAL STRUCTURAL MEMBERS, RIGHT FLOAT

| ITEM | QTY | PART NO. | PART DESCRIPTION |
|------|-----|-------------|--|
| 1* | 1 | 1007528 | ASSEMBLY, PANEL, FORWARD SPREADER BAR, REAR, RIGHT FLOAT |
| 1a | 1 | 1007617 | PANEL, FORWARD SPREADER BAR, REAR, RIGHT FLOAT |
| 1b | 1 | 1007861 | ANGLE, ATTACH, SIDE SKIN, LEFT, FORWARD SPREADER BAR REAR PANEL |
| 1c | 1 | 1007862 | ANGLE, ATTACH, SIDE SKIN, RIGHT, FORWARD SPREADER BAR REAR PANEL |
| 2 | 1 | 1007552 | CHINE, FORWARD, LEFT |
| 3 | 1 | 1007553 | CHINE, FORWARD, RIGHT |
| 4 | 1 | 1007556 | CHINE, AFT, LEFT |
| 5 | 1 | 1007557 | CHINE, AFT, RIGHT |
| 6 | 1 | 1007735 | DOUBLER, SIDE SKIN, CHINE, LEFT |
| 7 | 1 | 1007736 | DOUBLER, SIDE SKIN, CHINE, RIGHT |
| 8 | 1 | 1007745 | DOUBLER, SIDE SKIN, NOSE, LEFT |
| 9 | 1 | 1007746 | DOUBLER, SIDE SKIN, NOSE, RIGHT |
| 10 | 1 | 1007747 | DOUBLER, TOP SKIN, NOSE, LEFT |
| 11 | 1 | 1007748 | DOUBLER, TOP SKIN, NOSE, RIGHT |
| 12 | 1 | 1007781 | STIFFENER, SIDE SKIN, RIGHT |
| 13 | 1 | 1007782 | STIFFENER, SIDE SKIN, LEFT |
| 14 | 1 | 1007785 | KEEL, MAIN, FORWARD |
| 15 | 1 | 1007786 | WEAR STRIP, MAIN KEEL |
| 16 | 1 | 6A01342-003 | SISTER KEEL, OUTER, LEFT |
| 17 | 1 | 6A01342-004 | SISTER KEEL, OUTER, RIGHT |
| 18 | 1 | 6A01347-003 | KEEL, AFT |
| 19 | 1 | 6A01361-004 | SISTER KEEL, INNER FORWARD, RIGHT |
| 20 | 1 | 6A01361-005 | SISTER KEEL, INNER FORWARD, LEFT |
| 21 | 1 | 6A01361-006 | SISTER KEEL, AFTERBODY, INNER, RIGHT |
| 22 | 1 | 6A01361-007 | SISTER KEEL, AFTERBODY, INNER, LEFT |
| 23 | 1 | 6A01361-008 | SISTER KEEL, OUTER AFT, RIGHT |
| 24 | 1 | 6A01361-009 | SISTER KEEL, OUTER AFT, LEFT |

*See [Nomenclature System](#) section when ordering assemblies

THIS PAGE INTENTIONALLY LEFT BLANK

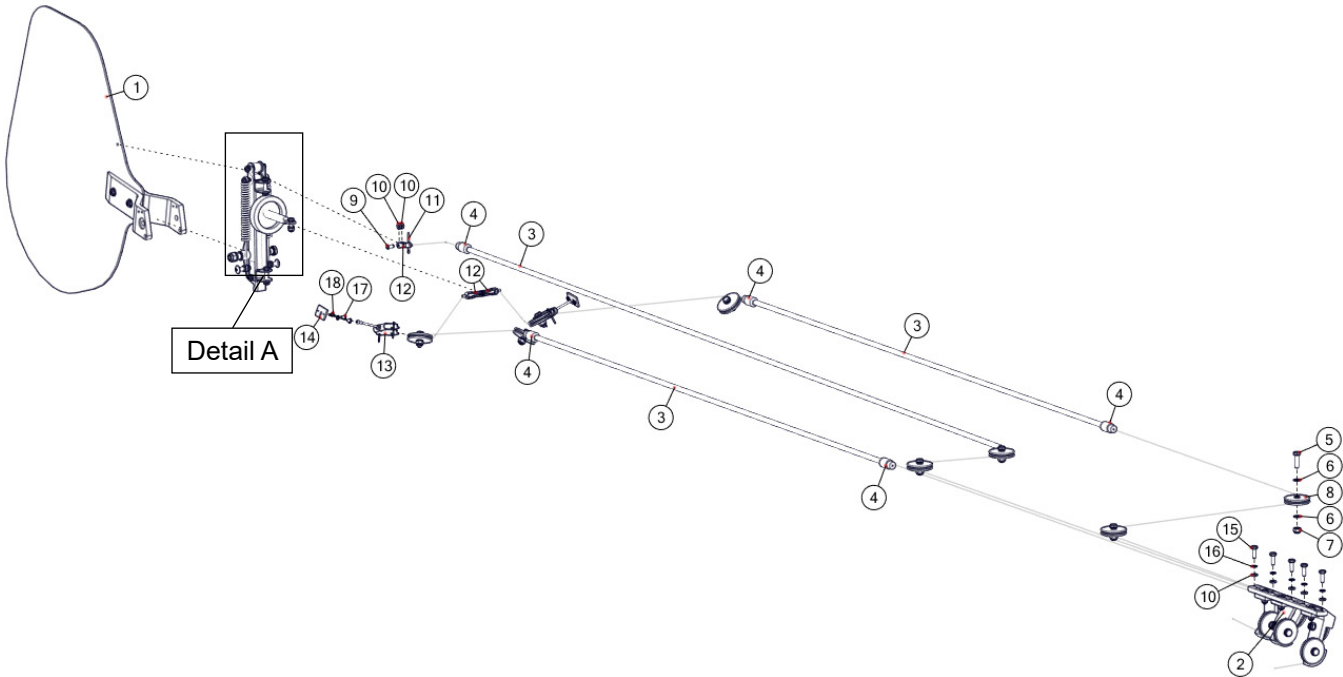
SECTION 9 WATER RUDDER & STEERING SYSTEM



CONTENTS

| | |
|---|-----|
| 6A08000-018 ASSEMBLY, BLADE AND ARM RUDDER | 132 |
| 1007835 ASSEMBLY, PULLEY CLUSTER, LEFT FLOAT | 133 |
| 1007836 ASSEMBLY, PULLEY CLUSTER, RIGHT FLOAT..... | 134 |
| 6A08000-019 ASSEMBLY, PULLEY BRACKET, STEERING | 135 |
| STEERING, COMPONENTS DETAIL A - RUDDER POST COMPONENTS..... | 136 |
| 3A08000-096 ASSEMBLY, PIVOT, WATER RUDDER | 137 |
| STEERING CABLE SCHEMATIC, LEFT AND RIGHT FLOATS..... | 138 |

STEERING COMPONENTS, LEFT FLOAT

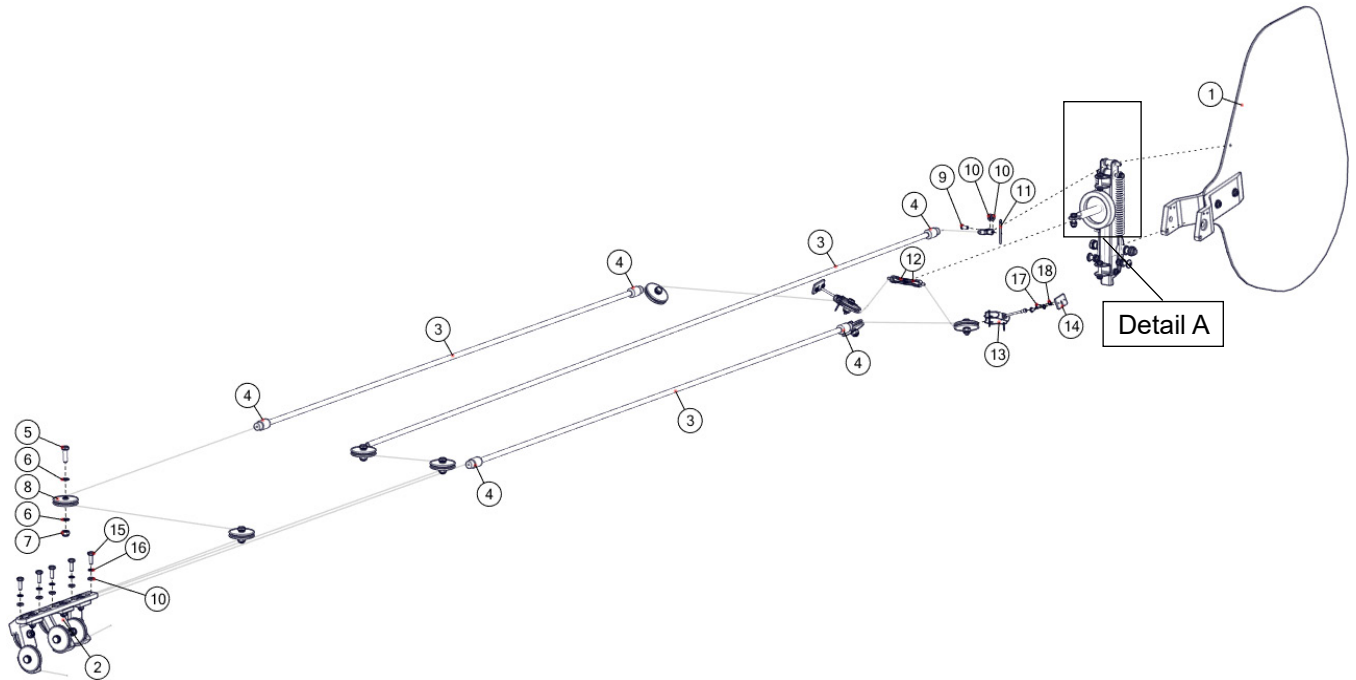


STEERING COMPONENTS, LEFT FLOAT

| ITEM | QTY | PART NO. | PART DESCRIPTION |
|----------|------------|---------------|--------------------------------------|
| 1 | 1 | 6A08000-018 | ASSEMBLY, BLADE AND ARM, RUDDER |
| 2 | 1 | 1007835 | ASSEMBLY, PULLEY CLUSTER, LEFT FLOAT |
| 3 | FT. Varies | RM613 | LDPE TUBE, 5/16" OD |
| 4 | 5 | 3A08605-001 | CABLE GUIDE |
| 5 | 8 | AN4-7A | BOLT |
| 6 | 16 | NAS1149D0416J | WASHER |
| 7 | 8 | MS21044N4 | NUT |
| 8 | 8 | MS20219-2 | PULLEY |
| 9 | 1 | MS20392-2C11 | PIN, CLEVIS |
| 10 | 7 | NAS1149D0363J | WASHER |
| 11 | 1 | MS24665-304 | PIN, COTTER |
| 12 | 3 | NAS1435K3 | STRAP, FORK END |
| 13 | 2 | 6A08000-019 | ASSEMBLY, PULLEY BRACKET, STEERING |
| 14 | 2 | 6A08156-017 | BRACKET, WATER RUDDER PULLEY, AFT |
| 15 | 5 | AN3-5A | BOLT |
| 16 | 5 | MS35333-39 | LOCKWASHER |
| 17 | 4 | AN526-632R4 | SCREW |
| 18 | 4 | MS35333-37 | LOCKWASHER |
| Detail A | 1 | - | RUDDER POST COMPONENTS |

*See [Detailed Views](#) section for Detailed Views explanation

STEERING COMPONENTS, RIGHT FLOAT

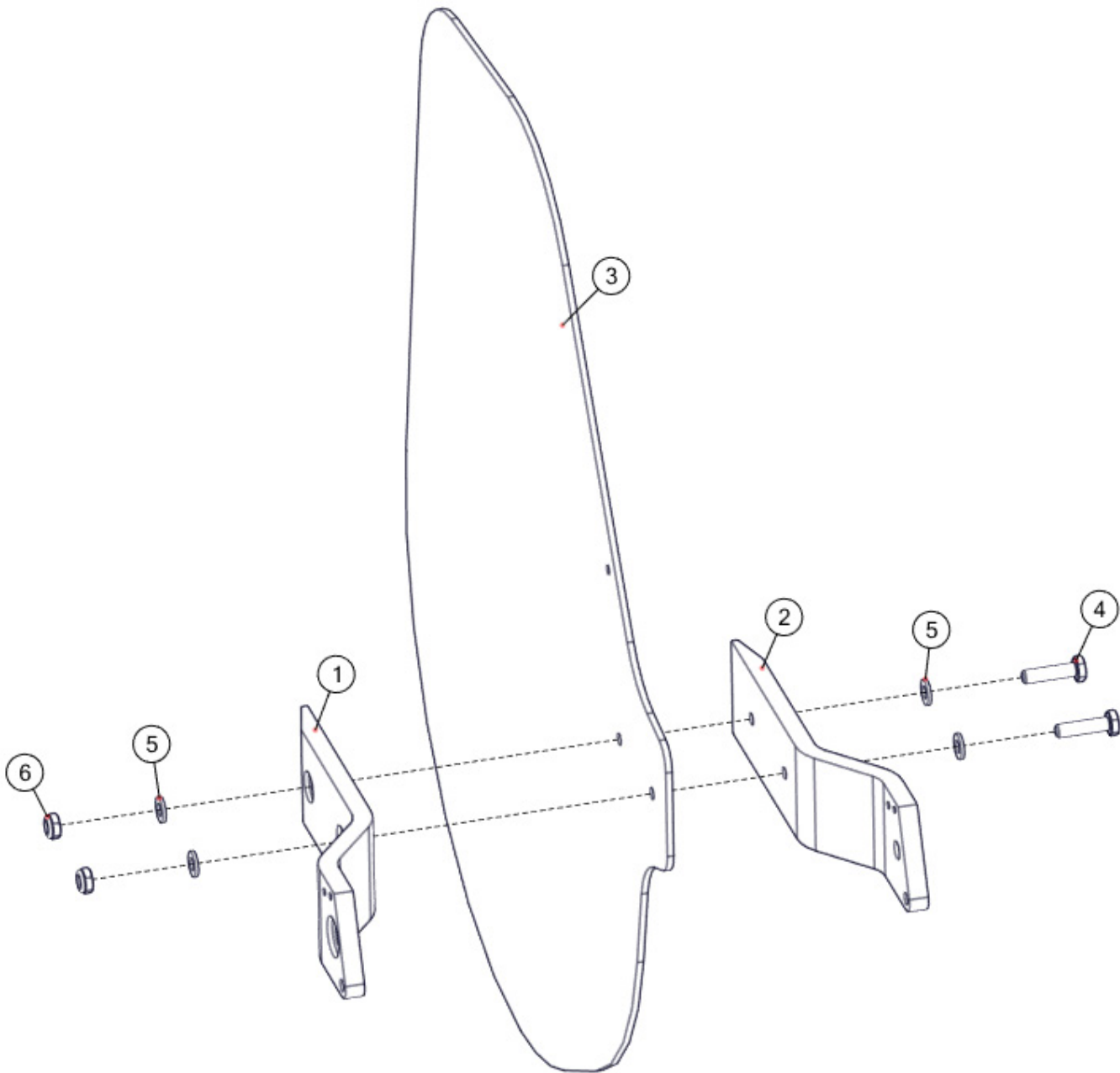


STEERING COMPONENTS, RIGHT FLOAT

| ITEM | QTY | PART NO. | PART DESCRIPTION |
|----------|------------|---------------|---------------------------------------|
| 1 | 1 | 6A08000-018 | ASSEMBLY, BLADE AND ARM, RUDDER |
| 2 | 1 | 1007836 | ASSEMBLY, PULLEY CLUSTER, RIGHT FLOAT |
| 3 | FT. Varies | RM613 | LDPE TUBE, 5/16" OD |
| 4 | 5 | 3A08605-001 | CABLE GUIDE |
| 5 | 8 | AN4-7A | BOLT |
| 6 | 16 | NAS1149D0416J | WASHER |
| 7 | 8 | MS21044N4 | NUT |
| 8 | 8 | MS20219-2 | PULLEY |
| 9 | 1 | MS20392-2C11 | PIN, CLEVIS |
| 10 | 7 | NAS1149D0363J | WASHER |
| 11 | 1 | MS24665-304 | PIN, COTTER |
| 12 | 3 | NAS1435K3 | STRAP, FORK END |
| 13 | 2 | 6A08000-019 | ASSEMBLY, PULLEY BRACKET, STEERING |
| 14 | 2 | 6A08156-017 | BRACKET, WATER RUDDER PULLEY, AFT |
| 15 | 5 | AN3-5A | BOLT |
| 16 | 5 | MS35333-39 | LOCKWASHER |
| 17 | 4 | AN526-632R4 | SCREW |
| 18 | 4 | MS35333-37 | LOCKWASHER |
| Detail A | 1 | - | RUDDER POST COMPONENTS |

*See [Detailed Views](#) section for Detailed Views explanation

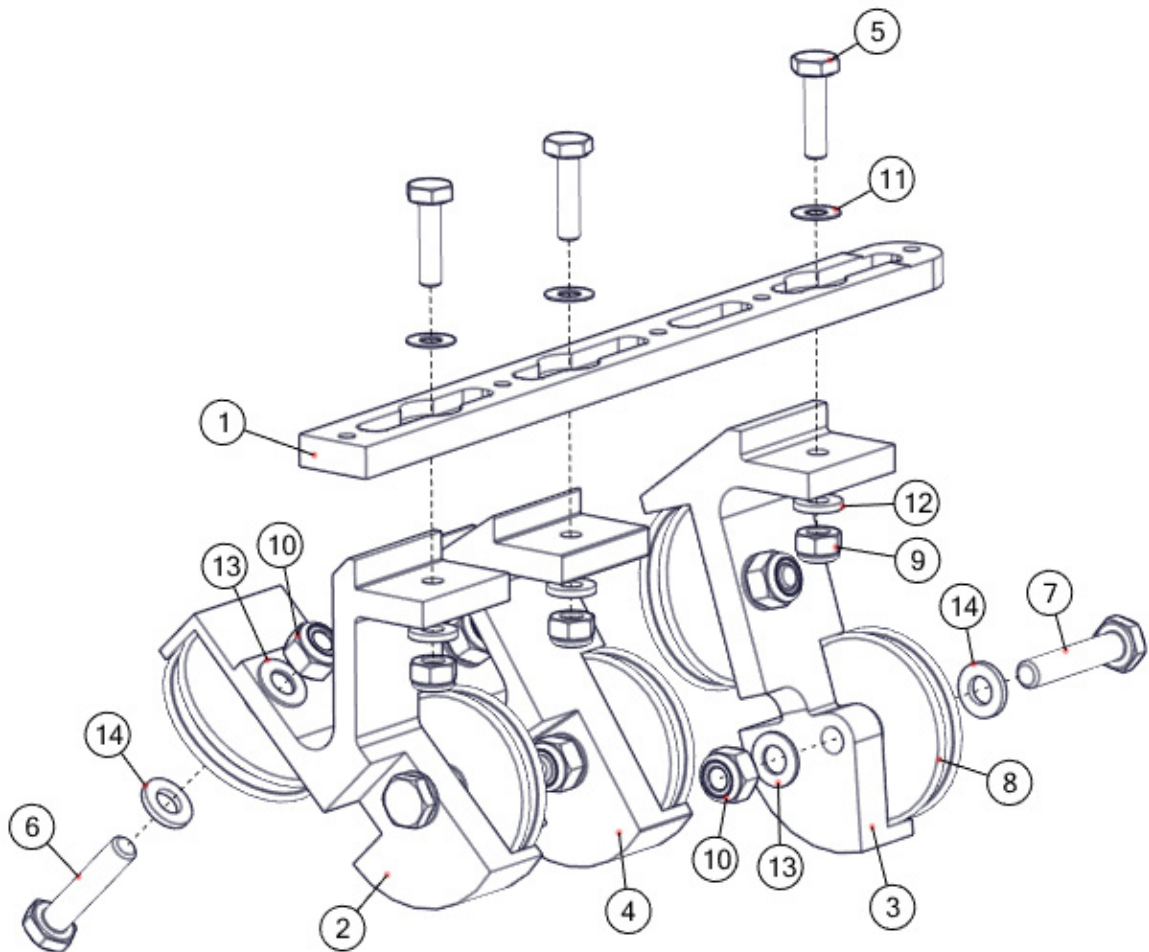
6A08000-018 ASSEMBLY, BLADE AND ARM RUDDER



6A08000-018 ASSEMBLY, BLADE AND ARM, RUDDER

| ITEM | QTY | PART NO. | PART DESCRIPTION |
|------|-----|---------------|--------------------------|
| 1 | 1 | 4A08197-008 | ARM, WATER RUDDER, RIGHT |
| 2 | 1 | 4A08197-009 | ARM, WATER RUDDER, LEFT |
| 3 | 1 | 6A08001-005 | WATER RUDDER BLADE |
| 4 | 2 | AN4-10A | BOLT |
| 5 | 4 | NAS1149D0463J | WASHER |
| 6 | 2 | NAS679A4W | NUT |

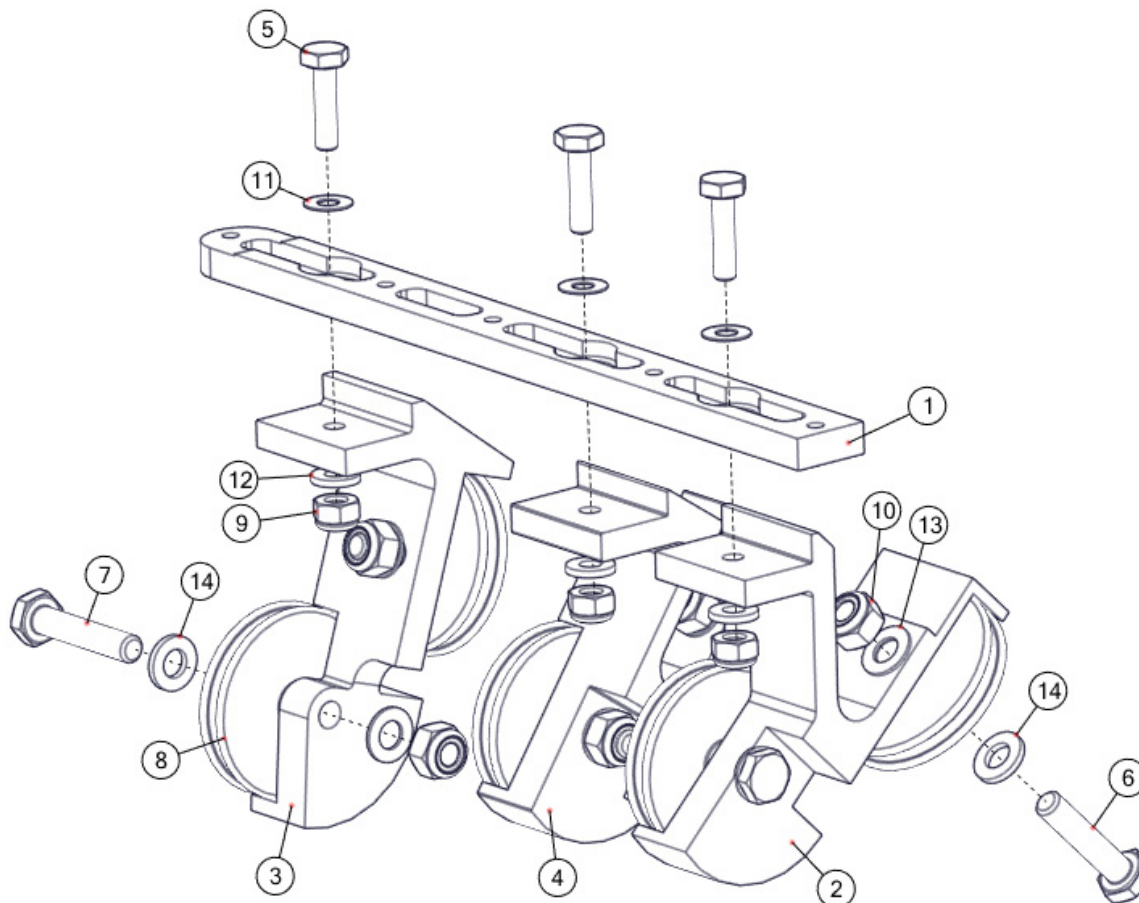
1007835 ASSEMBLY, PULLEY CLUSTER, LEFT FLOAT



1007835 ASSEMBLY, PULLEY CLUSTER, LEFT FLOAT

| ITEM | QTY | PART NO. | PART DESCRIPTION |
|------|-----|---------------|------------------------------|
| 1 | 1 | 1007725 | PLATE, MOUNT, PULLEY CLUSTER |
| 2 | 1 | 6A08336-001 | BRACKET, PULLEY |
| 3 | 1 | 6A08355-001 | BRACKET, PULLEY |
| 4 | 1 | 6A08365-001 | BRACKET, PULLEY |
| 5 | 3 | AN3-6A | BOLT |
| 6 | 3 | AN4-11A | BOLT |
| 7 | 3 | AN4-12A | BOLT |
| 8 | 6 | MS20219-2 | PULLEY |
| 9 | 3 | MS21044N3 | NUT |
| 10 | 6 | MS21044N4 | NUT |
| 11 | 3 | NAS1149D0316J | WASHER |
| 12 | 3 | NAS1149D0363J | WASHER |
| 13 | 6 | NAS1149F0432P | WASHER |
| 14 | 6 | NAS1149F0463P | WASHER |

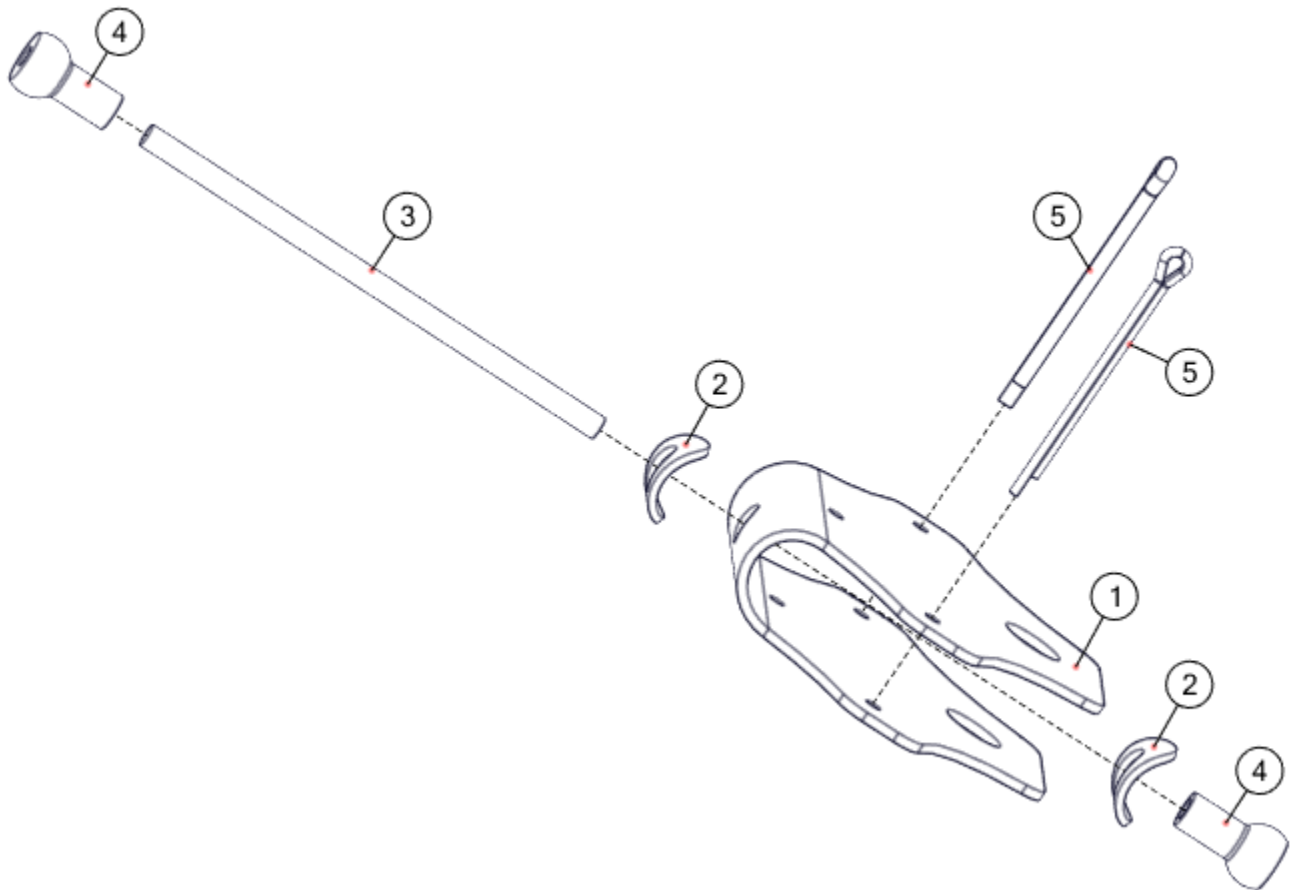
1007836 ASSEMBLY, PULLEY CLUSTER, RIGHT FLOAT



1007836 ASSEMBLY, PULLEY CLUSTER, RIGHT FLOAT

| ITEM | QTY | PART NO. | PART DESCRIPTION |
|------|-----|---------------|------------------------------|
| 1 | 1 | 1007725 | PLATE, MOUNT, PULLEY CLUSTER |
| 2 | 1 | 6A08336-002 | BRACKET, PULLEY |
| 3 | 1 | 6A08355-002 | BRACKET, PULLEY |
| 4 | 1 | 6A08365-002 | BRACKET, PULLEY |
| 5 | 3 | AN3-6A | BOLT |
| 6 | 3 | AN4-11A | BOLT |
| 7 | 3 | AN4-12A | BOLT |
| 8 | 6 | MS20219-2 | PULLEY |
| 9 | 3 | MS21044N3 | NUT |
| 10 | 6 | MS21044N4 | NUT |
| 11 | 3 | NAS1149D0316J | WASHER |
| 12 | 3 | NAS1149D0363J | WASHER |
| 13 | 6 | NAS1149F0432P | WASHER |
| 14 | 6 | NAS1149F0463P | WASHER |

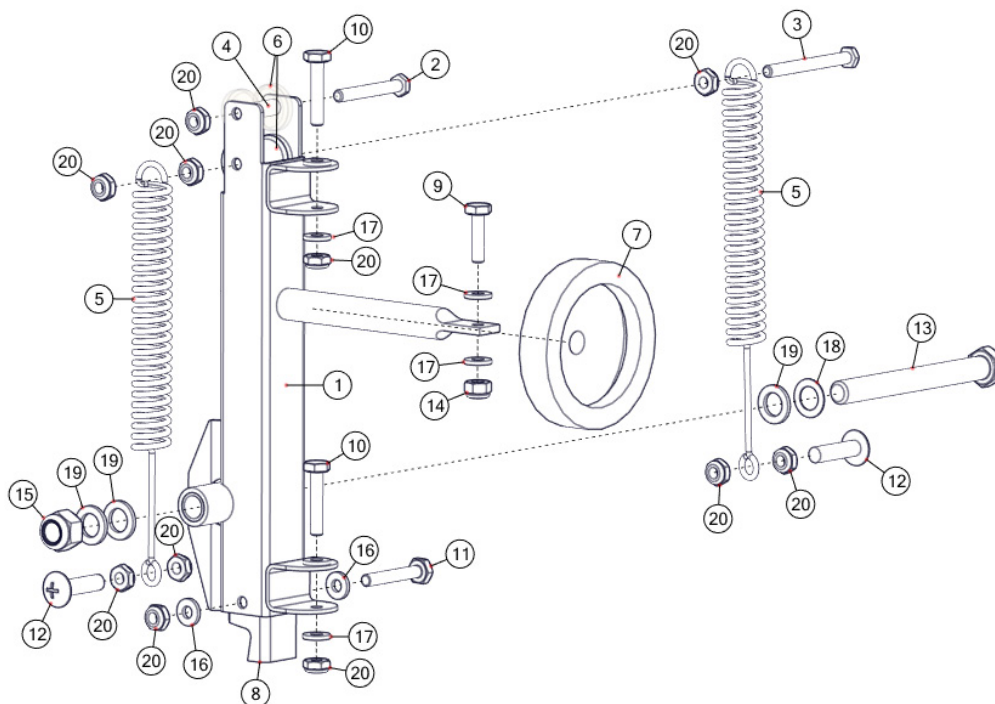
6A08000-019 ASSEMBLY, PULLEY BRACKET, STEERING



6A08000-019 ASSEMBLY, PULLEY BRACKET, STEERING

| ITEM | QTY | PART NO. | PART DESCRIPTION |
|------|------|-------------|---------------------------|
| 1 | 1 | 3A01151-027 | BRACKET, PULLEY |
| 2 | 2 | 4A08722-001 | CABLE END, BALL AND SHANK |
| 3 | .18' | RM690 | STEEL CABLE |
| 4 | 2 | MS20664C3 | CABLE END, BALL AND SHANK |
| 5 | 2 | MS24665-155 | PIN, COTTER |

STEERING, COMPONENTS DETAIL A - RUDDER POST COMPONENTS

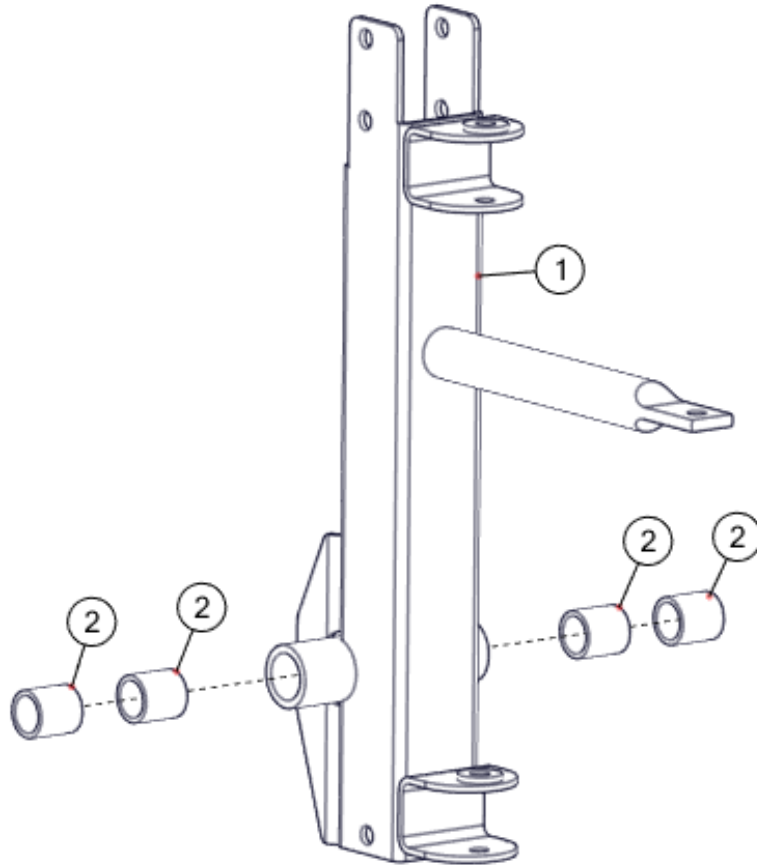


STEERING COMPONENTS DETAIL A - RUDDER POST COMPONENTS

| ITEM | QTY | PART NO. | PART DESCRIPTION |
|------|-----|---------------|---|
| 1* | 1 | 8A08000-098 | ASSEMBLY, WATER RUDDER POST |
| 1a | 1 | 3A08000-096 | ASSEMBLY, PIVOT, WATER RUDDER |
| 2 | 1 | AN3-14A | BOLT |
| 3 | 1 | AN3-20A | BOLT |
| 4 | 2 | 3A08502-001 | SPACER, WATER RUDDER RETRACT ROLLER, LONG |
| 5 | 2 | 3A08525-001 | SPRING, WATER RUDDER RETRACT |
| 6 | 2 | 3A08606-001 | ROLLER, CABLE RETRACT, LOWER |
| 7 | 1 | 3A08650-001 | BOLT, WATER RUDDER |
| 8 | 1 | 6A08183-005 | STOP, WATER RUDDER |
| 9 | 1 | AN3-6A | BOLT |
| 10 | 2 | AN3C10A | BOLT |
| 11 | 1 | AN3C12A | BOLT |
| 12 | 2 | AN526-428R16 | SCREW |
| 13 | 1 | AN6C34A | BOLT |
| 14 | 1 | MS21044N3 | NUT |
| 15 | 1 | MS21044N6 | NUT |
| 16 | 2 | NAS1149C0363R | WASHER |
| 17 | 4 | NAS1149D0363J | WASHER |
| 18 | 1 | NAS1149D0616J | WASHER |
| 19 | 3 | NAS1149D0663J | WASHER |
| 20 | 11 | NAS679-A3W | NUT |

*See [Nomenclature System](#) section when ordering assemblies

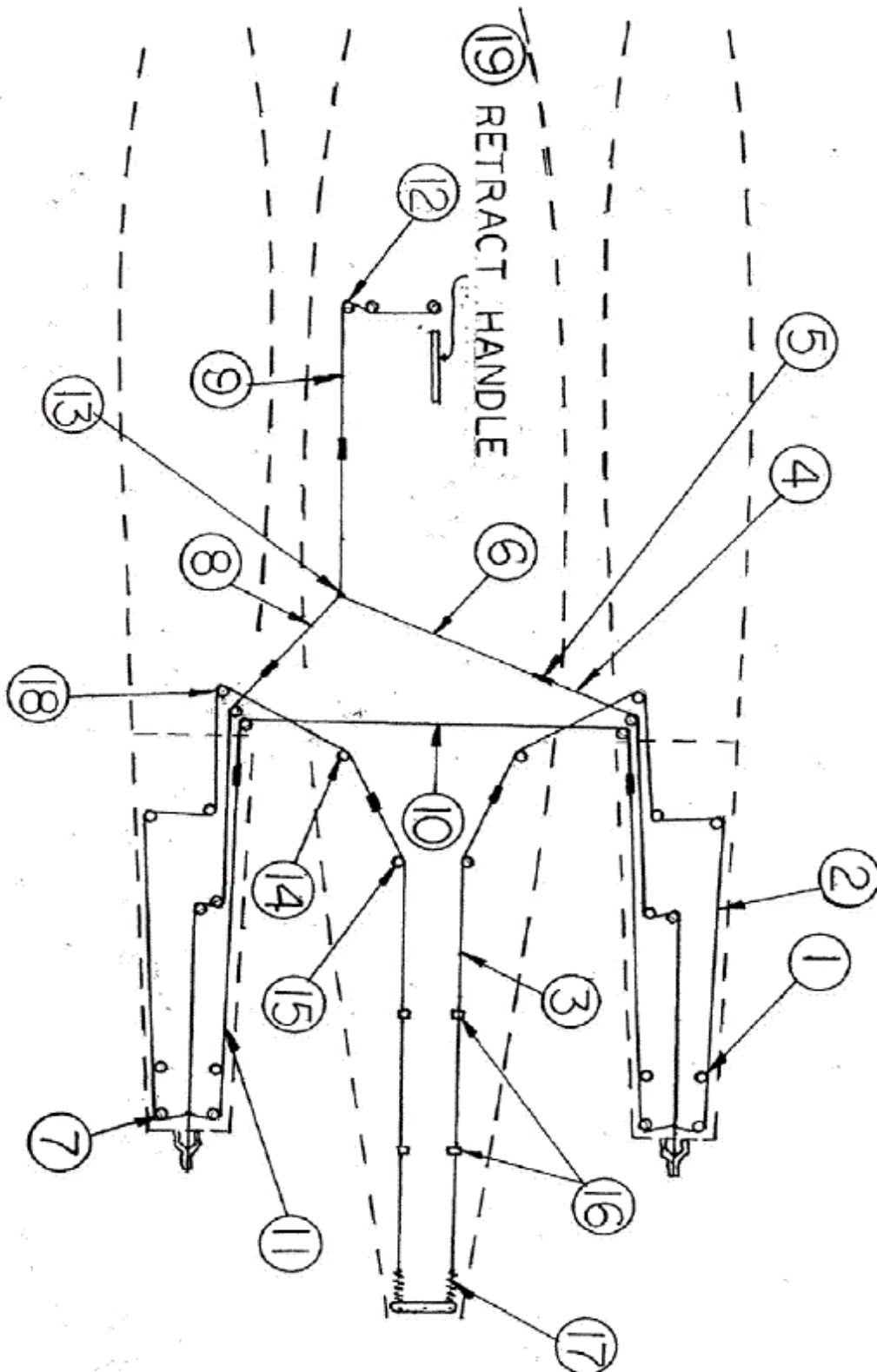
3A08000-096 ASSEMBLY, PIVOT, WATER RUDDER



3A08000-096 ASSEMBLY, PIVOT, WATER RUDDER

| ITEM | QTY | PART NO. | PART DESCRIPTION |
|------|-----|--------------|---|
| 1 | 1 | 3A08000-096B | BLANK, PIVOT, WATER RUDDER (available as assembly only) |
| 2 | 4 | 06DU08 | BUSHING, SELF LUBRICATING |

STEERING CABLE SCHEMATIC, LEFT AND RIGHT FLOATS



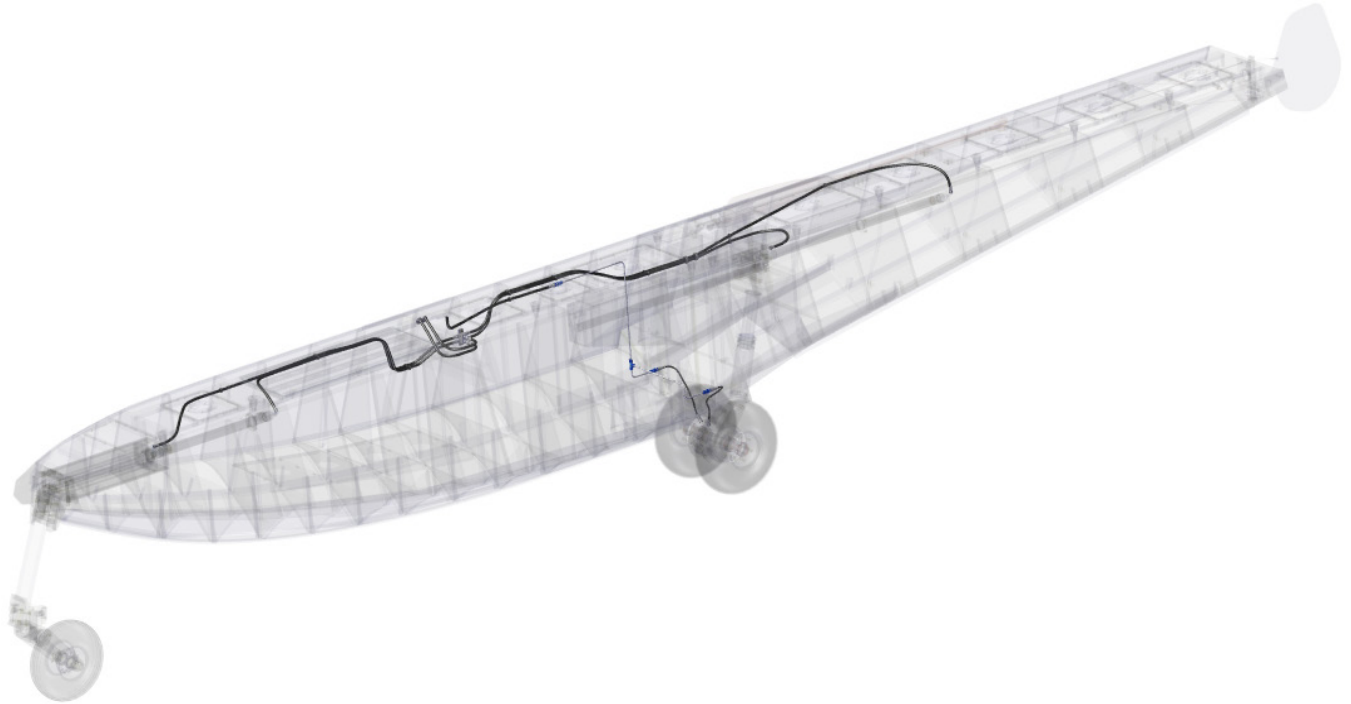
PARTS MANUAL FOR RIVETED
WIPLINE MODEL 6100 AMPHIBIAN FLOATS SERIAL NUMBERS 61500 AND UP

STEERING CABLE SCHEMATIC, LEFT AND RIGHT FLOATS

| ITEM | QTY | PART NO. | PART DESCRIPTION |
|------|-----|-------------|---|
| 1 | 32 | MS20219-2 | PULLEY |
| 2 | 2 | 6A08000-012 | ASSEMBLY CABLE, STEERING (192") |
| 3 | 2 | 6A08000-014 | ASSEMBLY CABLE, RETRACT (168.5") |
| 4 | 2 | 6A08000-013 | ASSEMBLY CABLE, RETRACT (161") |
| 5 | 7 | MS21251B3S | TURNBUCKLE, BARREL |
| 6 | 1 | 6A08000-010 | ASSEMBLY CABLE RETRACT, FUS. (64.25") |
| 7 | 2 | 6A08000-019 | ASSEMBLY CABLE AND PULLEY BRACKET |
| 8 | 1 | 6A08000-009 | ASSEMBLY CABLE RETRACT, FUSELAGE (27.75") |
| 9 | 1 | 6A08000-015 | ASSEMBLY CABLE RETRACT HANDLE (69") |
| 10 | 1 | 6A08000-008 | ASSEMBLY CABLE, BALANCE, SPREADER BAR (132") |
| 11 | 2 | 6A08000-011 | ASSEMBLY CABLE BALANCE (104") |
| 12 | 1 | 6A08153-003 | PULLEY BRACKET, RETRACT CABLE |
| 13 | 1 | 6A08153-004 | PULLEY BRACKET, EXTENSION, FUSELAGE |
| | 1 | 6A08005-089 | BRACKET LOWER |
| | 1 | 6A08005-090 | BRACKET UPPER |
| 14 | 2 | 6A08005-091 | PULLEY BRACKET, FUSELAGE |
| | 2 | 6A08193-002 | PIVOT, PULLEY CABLE |
| 15 | 2 | 6A08000-021 | ASSEMBLY PULLEY BRACKET, BELLY |
| 16 | 4 | 6A08153-005 | CLIP, CABLE GUIDE |
| | 4 | 6A08601-003 | PLASTIC GUIDE |
| 17 | 2 | 0742016-1 | SPRING |
| 18 | - | 6A08000-016 | ASSEMBLY PULLEY BRACKET, GUNWALL, RT. |
| | 1 | 6A08355-002 | PULLEY BRACKET, WATER RUDDER BALANCE CABLE, RH. |
| | 1 | 6A08365-002 | PULLEY BRACKET, WATER RUDDER RETRACT CABLE, RH. |
| | 1 | 6A08336-002 | PULLEY BRACKET, WATER RUDDER STEERING, RH. |
| | 1 | 6A08209-002 | PLATE - PULLEY MOUNT |
| | 6 | MS20219-2 | PULLEY |
| | - | 6A08000-017 | ASSEMBLY PULLEY BRACKET, GUNWALL LT. |
| | 1 | 6A08355-001 | PULLEY BRACKET, WATER RUDDER BALANCE CABLE, LH. |
| | 1 | 6A08365-001 | PULLEY BRACKET, WATER RUDDER RETRACT CABLE, LH. |
| | 1 | 6A08336-001 | PULLEY BRACKET, WATER RUDDER STEERING, LH. |
| | 1 | 6A08209-002 | PLATE - PULLEY MOUNT |
| | 6 | MS20219-2 | PULLEY |
| 19 | 1 | 6S08000-020 | ASSEMBLY RETRACT HANDLE (SEAPLANE) |
| | 1 | 6A11000-015 | ASSEMBLY RETRACT HANDLE AND CONSOLE (AMPHIB) |

THIS PAGE INTENTIONALLY LEFT BLANK

SECTION 10 HYDRAULIC AND BRAKE SYSTEM



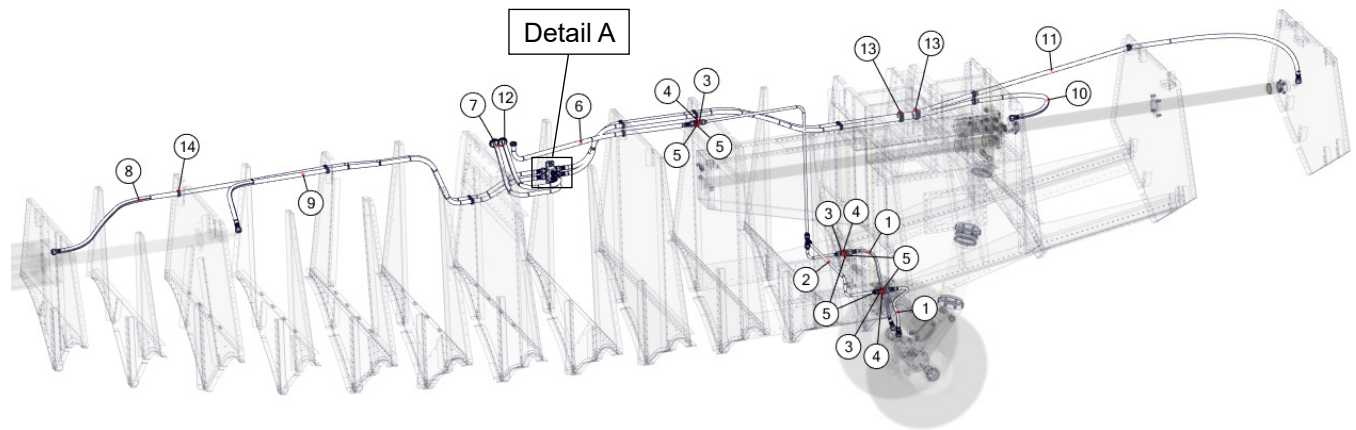
CONTENTS

| | |
|--|-----|
| 6A04000-026 ASSEMBLY, HYDRAULIC LINE, BRAKE, 14 INCH | 145 |
| 6A04000-083 ASSEMBLY, BRAKE LINE, INTERNAL, LEFT FLOAT..... | 146 |
| 6A04000-084 ASSEMBLY, BRAKE LINE, INTERNAL, RIGHT FLOAT | 147 |
| 6A04000-023 ASSEMBLY, HYDRAULIC LINE, BRAKE, 83 INCH | 148 |
| 6A09000-054 ASSEMBLY, HYDRAULIC LINE, MANIFOLD TO DECK, RIGHT FLOAT | 148 |
| 6A09000-058 ASSEMBLY, HYDRAULIC LINE, FLOAT TO FLOAT | 149 |
| 6A09000-064 ASSEMBLY, HYDRAULIC LINE, MANIFOLD TO NOSE GEAR, UP | 150 |
| 6A09000-065 ASSEMBLY, HYDRAULIC LINE, MANIFOLD TO NOSE GEAR, DOWN | 150 |
| 6A09000-066 ASSEMBLY, HYDRAULIC LINE, MANIFOLD TO MAIN GEAR, DOWN..... | 150 |
| 6A09000-067 ASSEMBLY, HYDRAULIC LINE, MANIFOLD TO MAIN GEAR, UP | 151 |
| 6A09000-068 ASSEMBLY, HYDRAULIC LINE, MANIFOLD TO FLOAT DECK, RIGHT FLOAT..... | 151 |
| 6A09000-069 ASSEMBLY, HYDRAULIC LINE, FLOAT TO FLOAT | 152 |
| HYDRAULIC AND BRAKE COMPONENTS, LEFT FLOAT DETAIL A HYDRAULIC MAINFOLD | 153 |
| COMPONENTS | 153 |
| HYDRAULIC AND BRAKE COMPONENTS, RIGHT FLOAT DETAIL A HYDRAULIC MAINFOLD | 154 |
| COMPONENTS | 154 |
| 1011404 ASSEMBLY, HYDRAULIC POWER PACK (UNI-DIRECTIONAL) POST SERVICE LETTER 214 & 215 | 155 |
| 1011402 ASSEMBLY, BRACKET, PUMP MOUNT POST SERVICE LETTER 214 & 215..... | 157 |
| 6A09000-029 ASSEMBLY, PUMP UNIDIRECTIONAL PRE SERVICE LETTER 214 & 215..... | 159 |
| 6A09000-030 ASSEMBLY, BRACKET UNIDIRECTIONAL PRE SERVICE LETTER 214 & 215..... | 161 |

CONTENTS CONTINUED

| | |
|---|-----|
| 6A09000-128 ASSEMBLY, FUSE HOLDER, RIGHT | 163 |
| 6A09000-129 ASSEMBLY, FUSE HOLDER, LEFT | 164 |
| 1011361-01 HOSE ASSEMBLY, MANIFOLD TO PUMP POST SERVICE LETTER 214 & 215..... | 167 |
| 8A09000-048 ASSEMBLY, HYDRAULIC LINE, PUMP PRE SERVICE LETTER 214 & 215 | 168 |
| 1009773 HYDRAULIC PUMP (BI-DIRECTIONAL) | 169 |
| 1009772 ASSEMBLY, TOP PLATE, HYDRAULIC PUMP, 24V | 171 |
| 1009750 ASSEMBLY CONTROL CONSOLE POST SERVICE LETTER 214 & 215 | 173 |
| 6A11000-001 ASSEMBLY CONTROL CONSOLE PRE SERVICE LETTER 214 & 215 | 175 |
| 6A09000-024 ASSEMBLY, HAND PUMP CHECK VALVE | 177 |
| 21A11000-019 GEAR SELECTOR ASSY, ROUND, 24V (BIDIRECTIONAL) | 178 |
| 6A09000-157 ASSEMBLY, GEAR SELECTOR VALVE (UNIDIRECTIONAL)..... | 180 |
| 6A11000-015 ASSEMBLY HYDRAULIC CONTROL CONSOLE | 182 |
| HYDRAULIC SYSTEM SCHEMATIC - UNIDIRECTIONAL POST SERVICE LETTER 214 & 215 | 184 |
| HYDRAULIC SYSTEM SCHEMATIC - BIDIRECTIONAL DHC-2 POST SERVICE LETTER 214 | 186 |
| HYDRAULIC SYSTEM SCHEMATIC - UNIDIRECTIONAL PC-6 POST SERVICE LETTER 214 & 215 | 188 |
| HYDRAULIC SYSTEM SCHEMATIC, LEFT AND RIGHT FLOAT PRE SERVICE LETTER 214 & 215 . | 190 |

HYDRAULIC AND BRAKE COMPONENTS, LEFT FLOAT

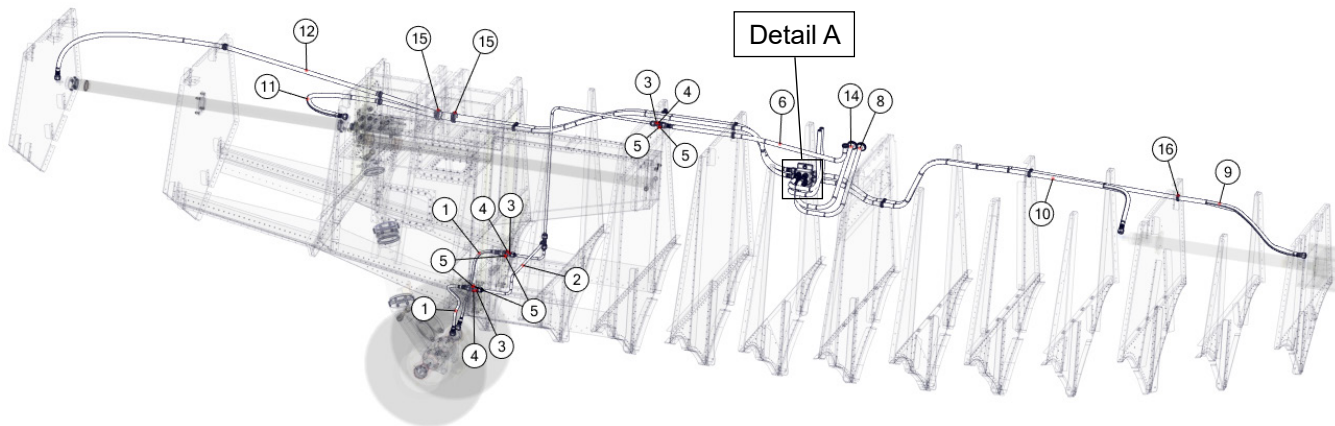


HYDRAULIC AND BRAKE COMPONENTS, LEFT FLOAT

| ITEM | QTY | PART NO. | PART DESCRIPTION |
|----------|-----|---------------|---|
| 1 | 2 | 6A04000-026 | ASSEMBLY, HYDRAULIC LINE, BRAKE, 14 INCH |
| 2 | 1 | 6A04000-083 | ASSEMBLY, BRAKE LINE, INTERNAL, LEFT FLOAT |
| 3 | 3 | AN832-4D | UNION |
| 4 | 3 | AN924-4D | JAM NUT |
| 5 | 6 | NAS1149D0763J | WASHER |
| 6 | 1 | 6A04000-023 | ASSEMBLY, HYDRAULIC LINE, BRAKE, 83 INCH |
| 7 | 1 | 6A09000-058 | ASSEMBLY, HYDRAULIC LINE, FLOAT TO FLOAT |
| 8 | 1 | 6A09000-064 | ASSEMBLY, HYDRAULIC LINE, MANIFOLD TO NOSE GEAR, UP |
| 9 | 1 | 6A09000-065 | ASSEMBLY, HYDRAULIC LINE, MANIFOLD TO NOSE GEAR, DOWN |
| 10 | 1 | 6A09000-066 | ASSEMBLY, HYDRAULIC LINE, MANIFOLD TO MAIN GEAR, DOWN |
| 11 | 1 | 6A09000-067 | ASSEMBLY, HYDRAULIC LINE, MANIFOLD TO MAIN GEAR, UP |
| 12 | 1 | 6A09000-069 | ASSEMBLY, HYDRAULIC LINE, FLOAT TO FLOAT |
| 13 | 2 | MS35489-49 | GROMMET |
| 14 | 16 | MS35489-9 | GROMMET |
| Detail A | 1 | - | HYDRAULIC MANIFOLD COMPONENTS |

*See [Detailed Views](#) section for Detailed Views explanation

HYDRAULIC AND BRAKE COMPONENTS, RIGHT FLOAT

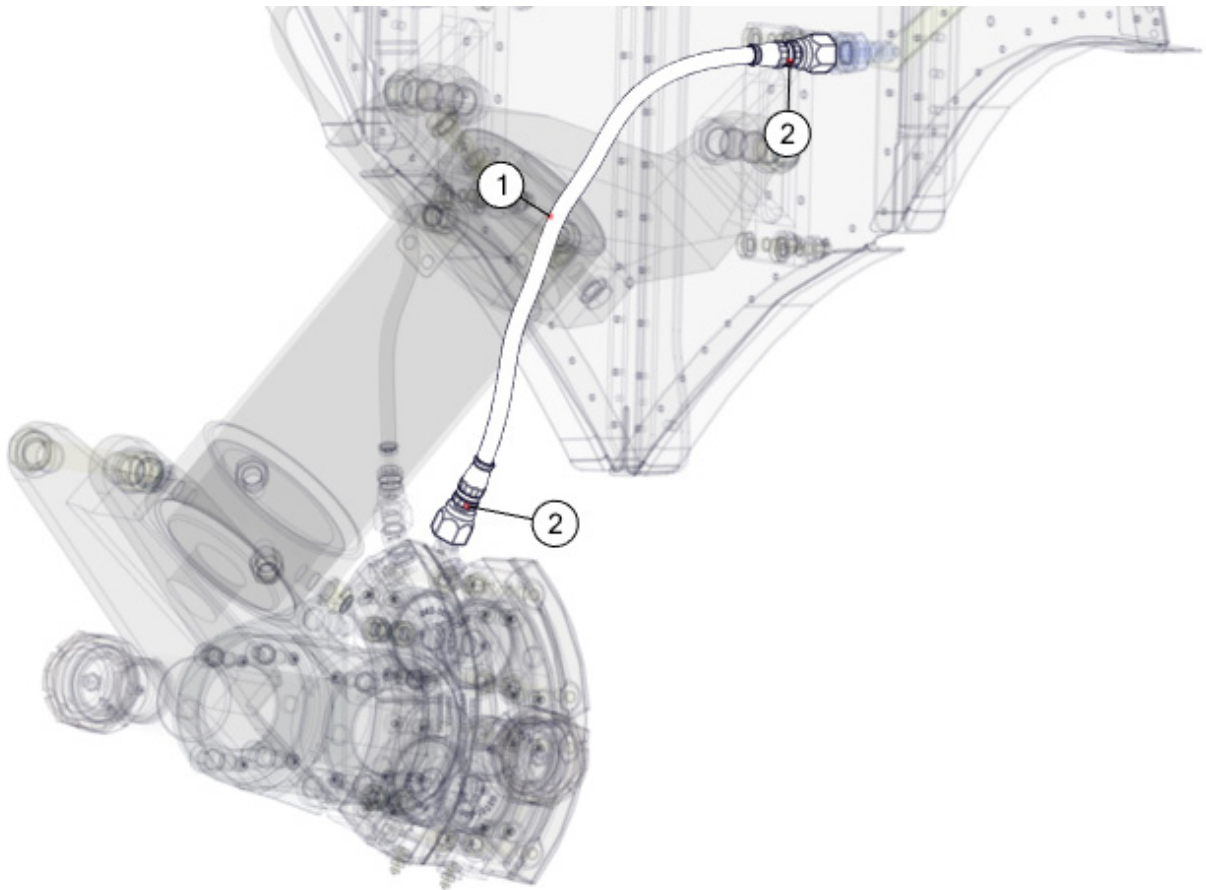


HYDRAULIC AND BRAKE COMPONENTS, RIGHT FLOAT

| ITEM | QTY | PART NO. | PART DESCRIPTION |
|----------|-----|---------------|---|
| 1 | 2 | 6A04000-026 | ASSEMBLY, HYDRAULIC LINE, BRAKE, 14 INCH |
| 2 | 1 | 6A04000-084 | ASSEMBLY, BRAKE LINE, INTERNAL, RIGHT FLOAT |
| 3 | 3 | AN832-4D | UNION |
| 4 | 3 | AN924-4D | JAM NUT |
| 5 | 6 | NAS1149D0763J | WASHER |
| 6 | 1 | 6A04000-023 | ASSEMBLY, HYDRAULIC LINE, BRAKE, 83 INCH |
| 7 | 1 | 6A09000-054 | ASSEMBLY, HYDRAULIC LINE, MANIFOLD TO FLOAT DECK, RIGHT FLOAT |
| 8 | 1 | 6A09000-058 | ASSEMBLY, HYDRAULIC LINE, FLOAT TO FLOAT |
| 9 | 1 | 6A09000-064 | ASSEMBLY, HYDRAULIC LINE, MANIFOLD TO NOSE GEAR, UP |
| 10 | 1 | 6A09000-065 | ASSEMBLY, HYDRAULIC LINE, MANIFOLD TO NOSE GEAR, DOWN |
| 11 | 1 | 6A09000-066 | ASSEMBLY, HYDRAULIC LINE, MANIFOLD TO MAIN GEAR, DOWN |
| 12 | 1 | 6A09000-067 | ASSEMBLY, HYDRAULIC LINE, MANIFOLD TO MAIN GEAR, UP |
| 13 | 1 | 6A09000-068 | ASSEMBLY, HYDRAULIC LINE, MANIFOLD TO FLOAT DECK, RIGHT FLOAT |
| 14 | 1 | 6A09000-069 | ASSEMBLY, HYDRAULIC LINE, FLOAT TO FLOAT |
| 15 | 2 | MS35489-49 | GROMMET |
| 16 | 16 | MS35489-9 | GROMMET |
| Detail A | 1 | - | HYDRAULIC MANIFOLD COMPONENTS |

*See [Detailed Views](#) section for Detailed Views explanation

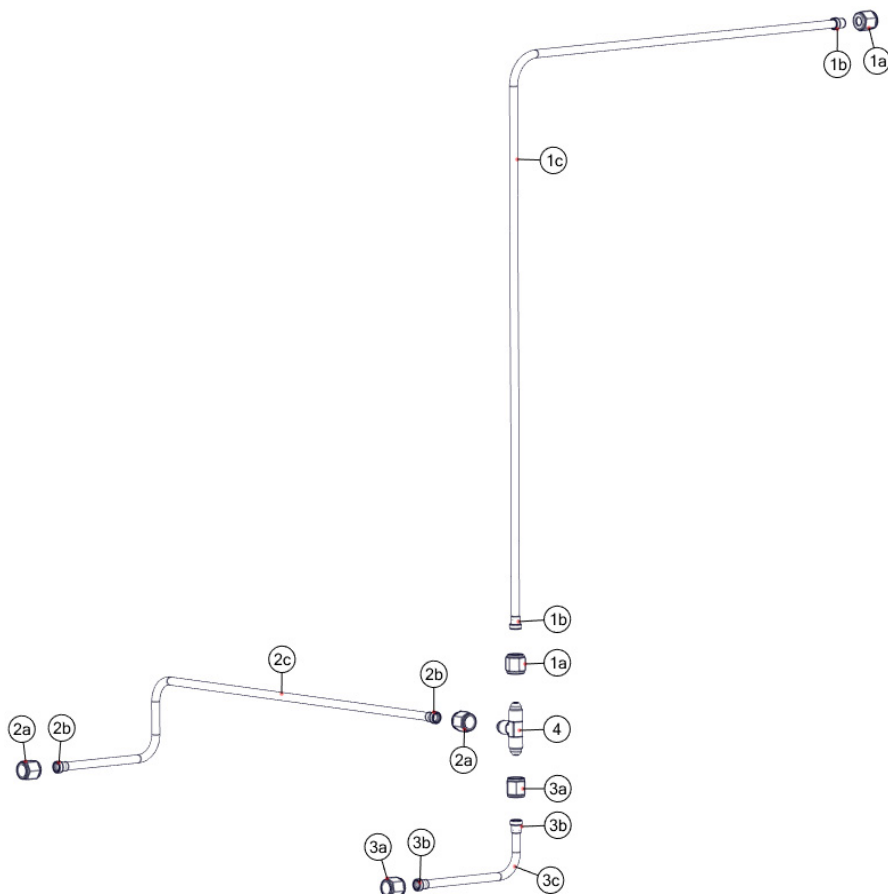
6A04000-026 ASSEMBLY, HYDRAULIC LINE, BRAKE, 14 INCH



6A04000-026 ASSEMBLY, HYDRAULIC LINE, BRAKE, 14 INCH

| ITEM | QTY | PART NO. | PART DESCRIPTION |
|------|----------|-------------|---------------------------|
| 1 | 1.166 FT | 2807-4 | HOSE |
| 2 | 2 | 63-190600-4 | FITTING, STRAIGHT |
| - | 2 | PD-40 | PLUG, PLASTIC (NOT SHOWN) |

6A04000-083 ASSEMBLY, BRAKE LINE, INTERNAL, LEFT FLOAT

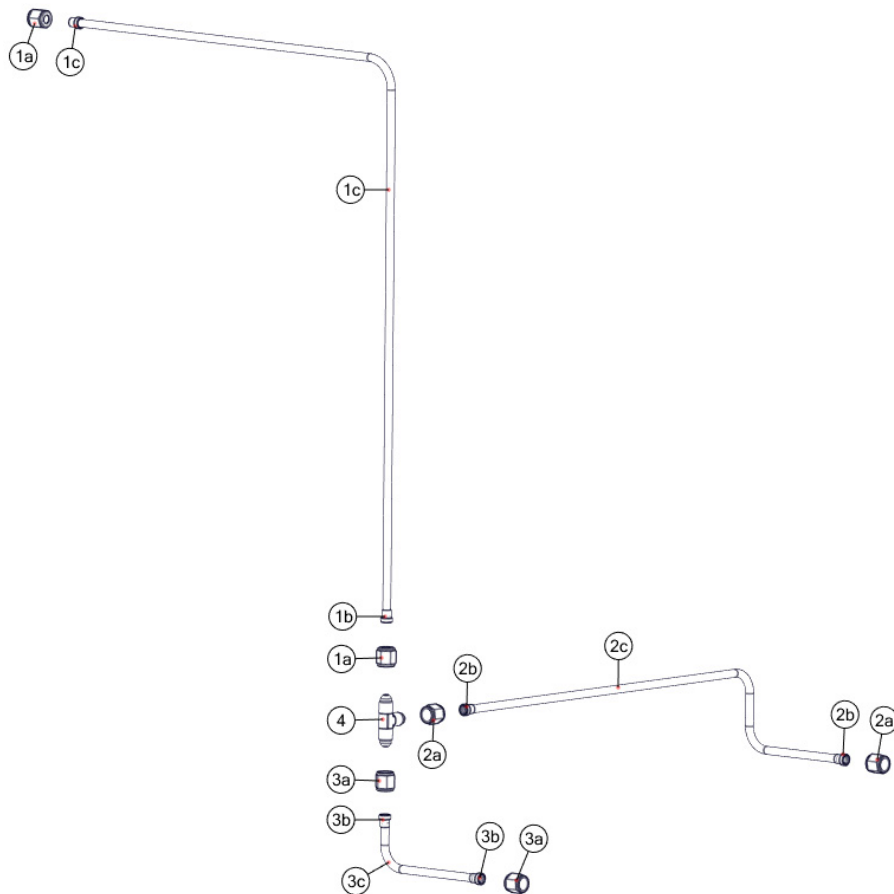


6A04000-083 ASSEMBLY, BRAKE LINE, INTERNAL, LEFT FLOAT

| ITEM | QTY | PART NO. | PART DESCRIPTION |
|------|-------|-------------|---|
| 1* | 1 | 6A04000-024 | ASSEMBLY, HYDRAULIC LINE, BRAKE, 34 INCH |
| 1a | 2 | AN818-4D | NUT, COUPLING |
| 1b | 2 | MS20819-4D | SLEEVE, FLARED TUBE FITTING |
| 1c | 2.84' | RM411 | TUBE, .250" OD |
| - | 2 | PD-40 | PLUG, PLASTIC (NOT SHOWN) |
| 2* | 1 | 6A04000-025 | ASSEMBLY, HYDRAULIC LINE, BRAKE, 20.75 INCH |
| 2a | 2 | AN818-4D | NUT, COUPLING |
| 2b | 2 | MS20819-4D | SLEEVE, FLARED TUBE FITTING |
| 2c | 1.73' | RM411 | TUBE, .250" OD |
| - | 2 | PD-40 | PLUG, PLASTIC (NOT SHOWN) |
| 3* | 1 | 6A04000-027 | ASSEMBLY, HYDRAULIC LINE, BRAKE, 5.25 INCH |
| 3a | 2 | AN818-4D | NUT, COUPLING |
| 3b | 2 | MS20819-4D | SLEEVE, FLARED TUBE FITTING |
| 3c | .44' | RM411 | TUBE, .250" OD |
| - | 2 | PD-40 | PLUG, PLASTIC (NOT SHOWN) |
| 4 | 1 | AN824-4D | TEE FITTING |

*See [Nomenclature System](#) section when ordering assemblies

6A04000-084 ASSEMBLY, BRAKE LINE, INTERNAL, RIGHT FLOAT

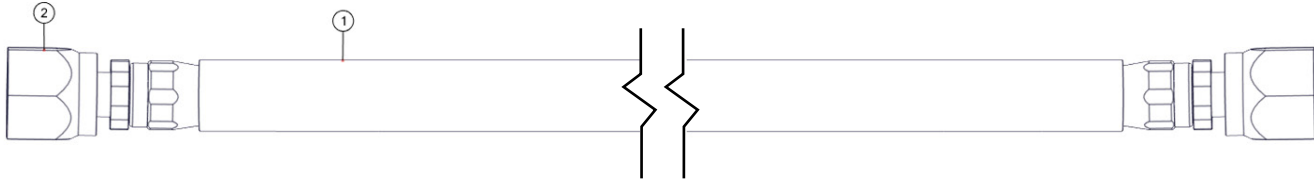


6A04000-084 ASSEMBLY, BRAKE LINE, INTERNAL, RIGHT FLOAT

| ITEM | QTY | PART NO. | PART DESCRIPTION |
|------|---------|-------------|---|
| 1* | 1 | 6A04000-024 | ASSEMBLY, HYDRAULIC LINE, BRAKE, 34 INCH |
| 1a | 2 | AN818-4D | NUT, COUPLING |
| 1b | 2 | MS20819-4D | SLEEVE, FLARED TUBE FITTING |
| 1c | 2.84 FT | RM411 | TUBE, .250" OD |
| - | 2 | PD-40 | PLUG, PLASTIC (NOT SHOWN) |
| 2* | 1 | 6A04000-025 | ASSEMBLY, HYDRAULIC LINE, BRAKE, 20.75 INCH |
| 2a | 2 | AN818-4D | NUT, COUPLING |
| 2b | 2 | MS20819-4D | SLEEVE, FLARED TUBE FITTING |
| 2c | 1.73' | RM411 | TUBE, .250" OD |
| - | 2 | PD-40 | PLUG, PLASTIC (NOT SHOWN) |
| 3* | 1 | 6A04000-027 | ASSEMBLY, HYDRAULIC LINE, BRAKE, 5.25 INCH |
| 3a | 2 | AN818-4D | NUT, COUPLING |
| 3b | 2 | MS20819-4D | SLEEVE, FLARED TUBE FITTING |
| 3c | .44' | RM411 | TUBE, .250" OD |
| - | 2 | PD-40 | PLUG, PLASTIC (NOT SHOWN) |
| 4 | 1 | AN824-4D | TEE FITTING |

*See [Nomenclature System](#) section when ordering assemblies

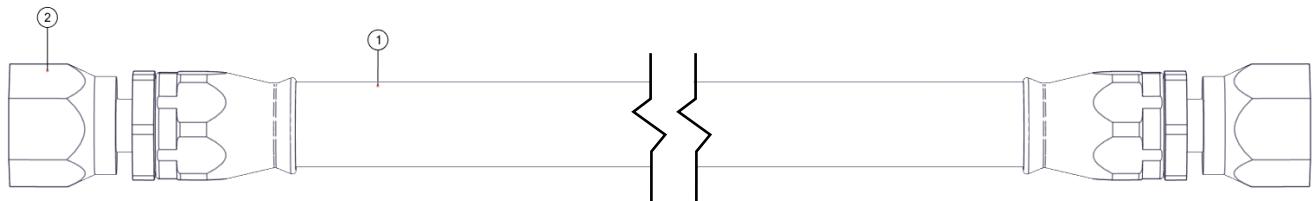
6A04000-023 ASSEMBLY, HYDRAULIC LINE, BRAKE, 83 INCH



6A04000-023 ASSEMBLY, HYDRAULIC LINE, BRAKE, 83 INCH

| ITEM | QTY | PART NO. | PART DESCRIPTION |
|------|-------|-------------|---------------------------------|
| 1 | 6.92' | 2807-4 | HOSE |
| 2 | 2 | 63-190600-4 | FITTING, STRAIGHT |
| - | 6.92' | HS105-3/8-0 | TUBING, HEAT SHRINK (NOT SHOWN) |
| - | 1 | PD-40 | PLUG, PLASTIC (NOT SHOWN) |

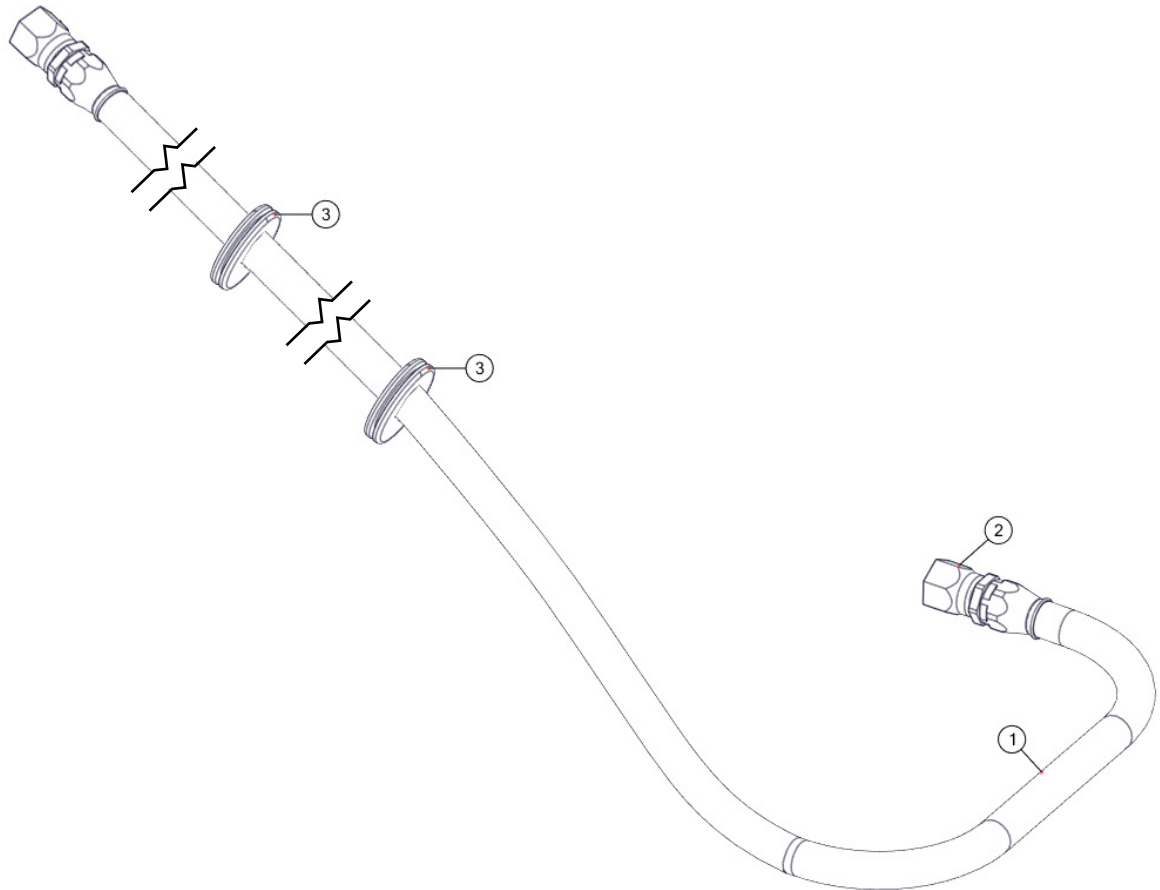
**6A09000-054 ASSEMBLY, HYDRAULIC LINE, MANIFOLD TO DECK,
RIGHT FLOAT**



6A09000-054 ASSEMBLY, HYDRAULIC LINE, MANIFOLD TO FLOAT DECK, RIGHT FLOAT

| ITEM | QTY | PART NO. | PART DESCRIPTION |
|------|--------|-------------|---------------------------|
| 1 | 1.125' | 2807-5 | HOSE |
| 2 | 2 | 63-190600-5 | FITTING, STRAIGHT |
| - | 2 | PD-50 | PLUG, PLASTIC (NOT SHOWN) |

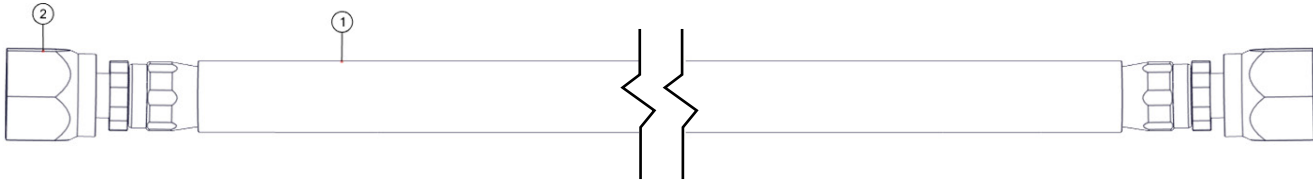
6A09000-058 ASSEMBLY, HYDRAULIC LINE, FLOAT TO FLOAT



6A09000-058 ASSEMBLY, HYDRAULIC LINE, FLOAT TO FLOAT

| ITEM | QTY | PART NO. | PART DESCRIPTION |
|------|-------|-------------|---------------------------------|
| 1 | 10.5' | 2807-5 | HOSE |
| 2 | 2 | 63-190600-5 | FITTING, STRAIGHT |
| 3 | 2 | MS35489-12 | GROMMET |
| - | 10.5' | HS105-1/2-0 | TUBING, HEAT SHRINK (NOT SHOWN) |
| - | 1 | PD-50 | PLUG, PLASTIC (NOT SHOWN) |

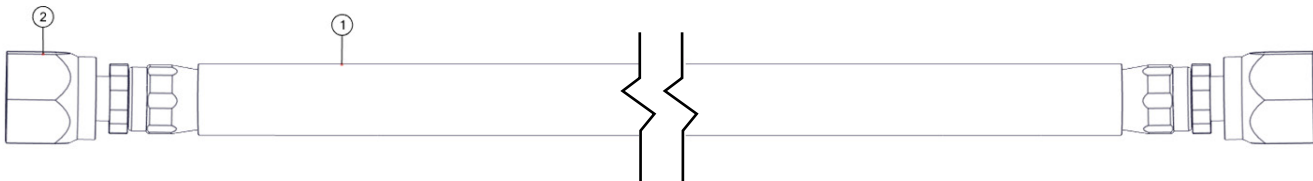
6A09000-064 ASSEMBLY, HYDRAULIC LINE, MANIFOLD TO NOSE GEAR, UP



6A09000-064 ASSEMBLY, HYDRAULIC LINE, MANIFOLD TO NOSE GEAR, UP

| ITEM | QTY | PART NO. | PART DESCRIPTION |
|------|--------|-------------|---------------------------|
| 1 | 6.333' | 2807-4 | HOSE |
| 2 | 2 | 63-190600-4 | FITTING, STRAIGHT |
| - | 1 | PD-40 | PLUG, PLASTIC (NOT SHOWN) |

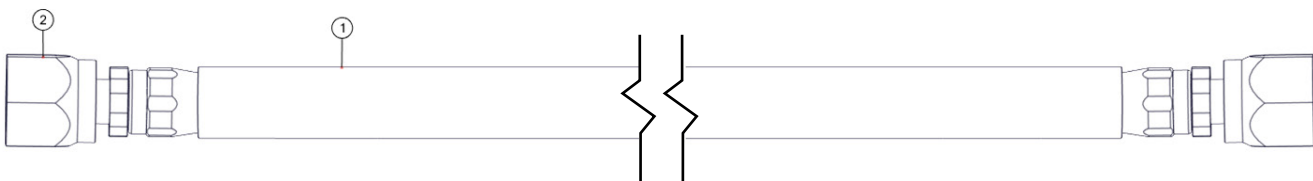
6A09000-065 ASSEMBLY, HYDRAULIC LINE, MANIFOLD TO NOSE GEAR, DOWN



6A09000-065 ASSEMBLY, HYDRAULIC LINE, MANIFOLD TO NOSE GEAR, DOWN

| ITEM | QTY | PART NO. | PART DESCRIPTION |
|------|------|-------------|---------------------------|
| 1 | 4.5' | 2807-4 | HOSE |
| 2 | 2 | 63-190600-4 | FITTING, STRAIGHT |
| - | 1 | PD-40 | PLUG, PLASTIC (NOT SHOWN) |

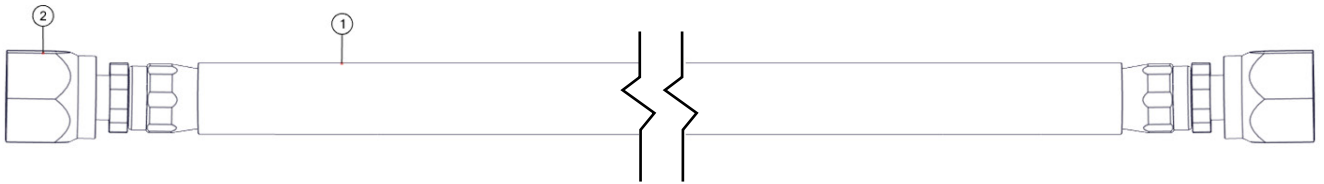
6A09000-066 ASSEMBLY, HYDRAULIC LINE, MANIFOLD TO MAIN GEAR, DOWN



6A09000-066 ASSEMBLY, HYDRAULIC LINE, MANIFOLD TO MAIN GEAR, DOWN

| ITEM | QTY | PART NO. | PART DESCRIPTION |
|------|--------|-------------|---------------------------|
| 1 | 6.833' | 2807-4 | HOSE |
| 2 | 2 | 63-190600-4 | FITTING, STRAIGHT |
| - | 1 | PD-40 | PLUG, PLASTIC (NOT SHOWN) |

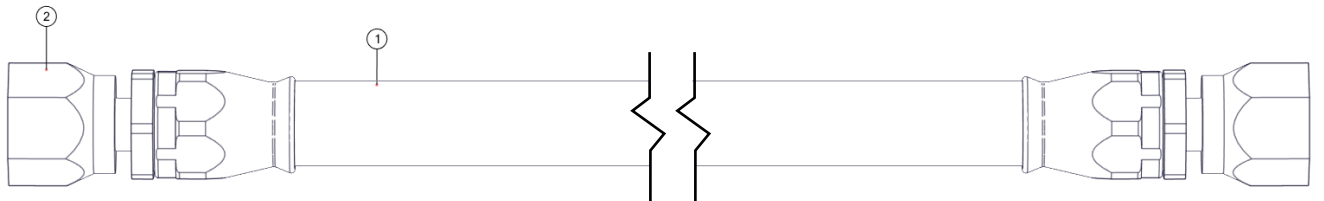
6A09000-067 ASSEMBLY, HYDRAULIC LINE, MANIFOLD TO MAIN GEAR, UP



6A09000-067 ASSEMBLY, HYDRAULIC LINE, MANIFOLD TO MAIN GEAR, UP

| ITEM | QTY | PART NO. | PART DESCRIPTION |
|------|--------|-------------|-------------------|
| 1 | 9.583' | 2807-4 | HOSE |
| 2 | 2 | 63-190600-4 | FITTING, STRAIGHT |

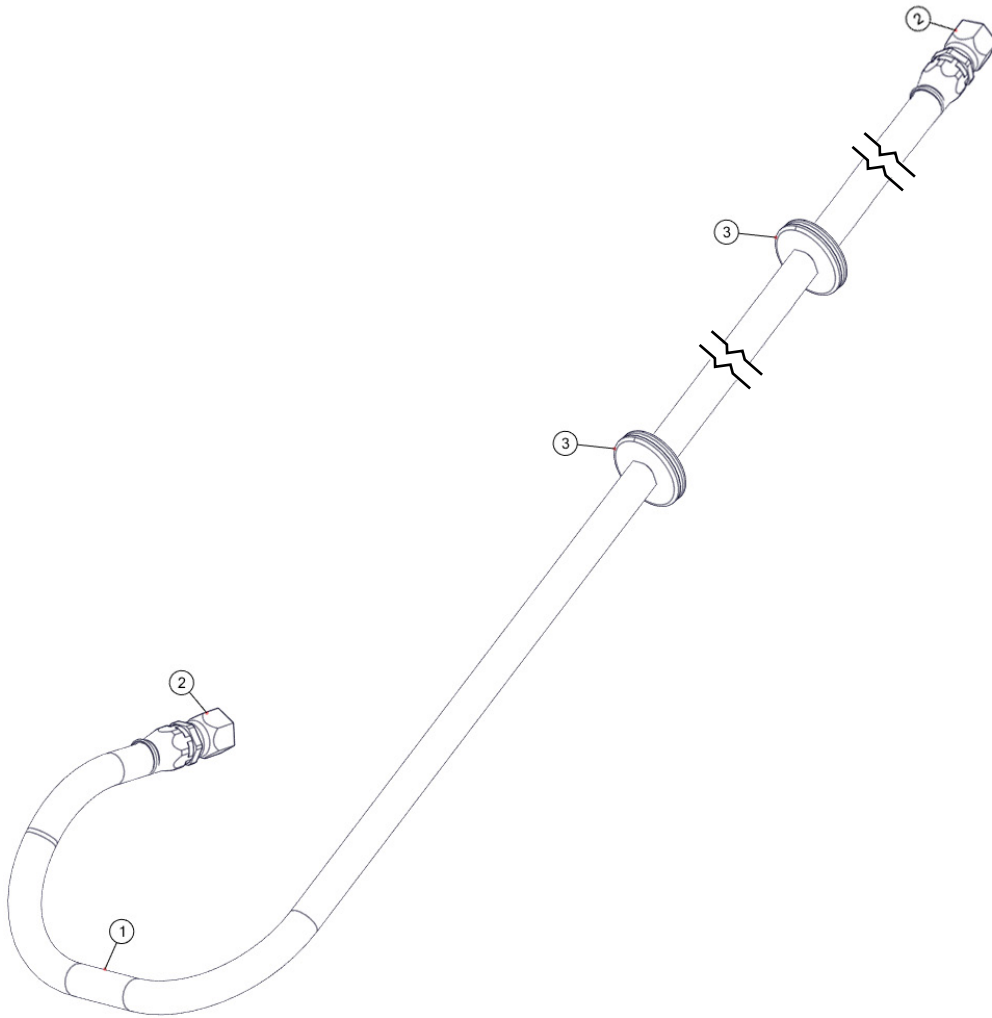
6A09000-068 ASSEMBLY, HYDRAULIC LINE, MANIFOLD TO FLOAT DECK, RIGHT FLOAT



6A09000-068 ASSEMBLY, HYDRAULIC LINE, MANIFOLD TO FLOAT DECK, RIGHT FLOAT

| ITEM | QTY | PART NO. | PART DESCRIPTION |
|------|--------|-------------|---------------------------|
| 1 | 1.125' | 2807-5 | HOSE |
| 2 | 2 | 63-190600-5 | FITTING, STRAIGHT |
| - | 2 | PD-50 | PLUG, PLASTIC (NOT SHOWN) |

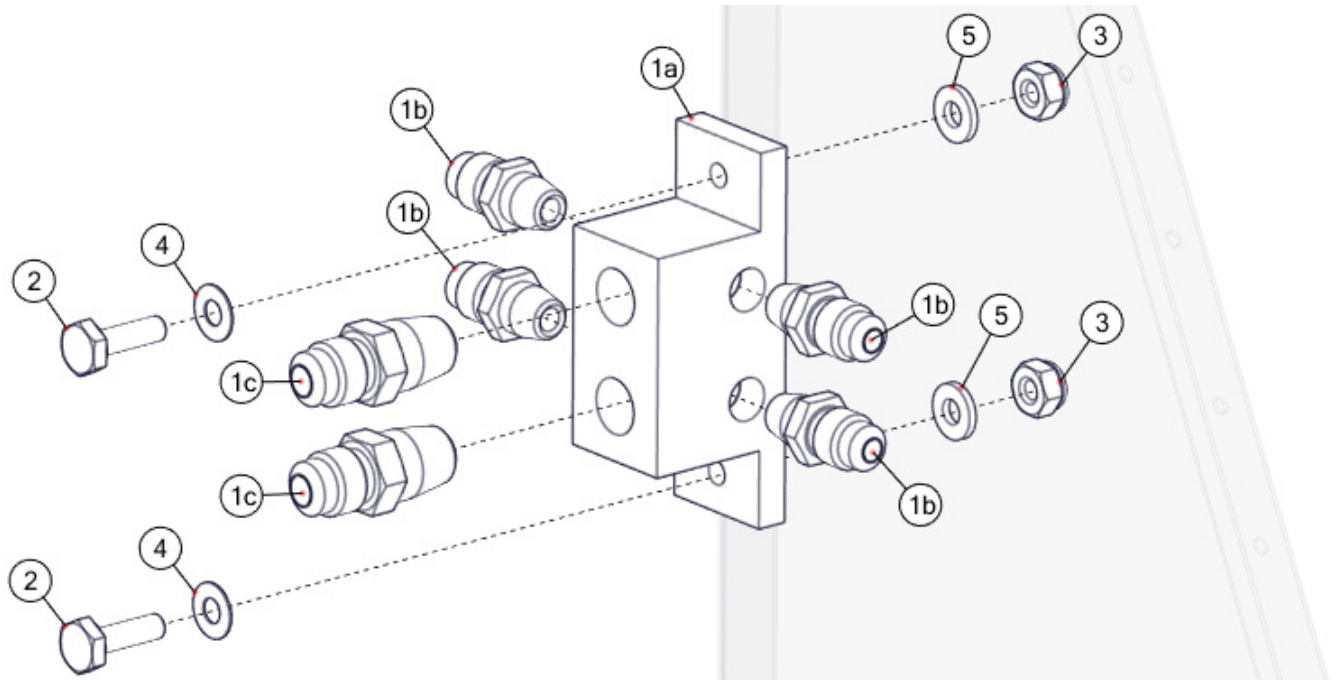
6A09000-069 ASSEMBLY, HYDRAULIC LINE, FLOAT TO FLOAT



6A09000-069 ASSEMBLY, HYDRAULIC LINE, FLOAT TO FLOAT

| ITEM | QTY | PART NO. | PART DESCRIPTION |
|------|--------|-------------|---------------------------------|
| 1 | 10.42' | 2807-5 | HOSE |
| 2 | 2 | 63-190600-5 | FITTING, STRAIGHT |
| 3 | 2 | MS35489-12 | GROMMET |
| - | 10.42' | HS105-1/2-0 | TUBING, HEAT SHRINK (NOT SHOWN) |
| - | 1 | PD-50 | PLUG, PLASTIC (NOT SHOWN) |

HYDRAULIC AND BRAKE COMPONENTS, LEFT FLOAT DETAIL A HYDRAULIC MAINFOLD COMPONENTS

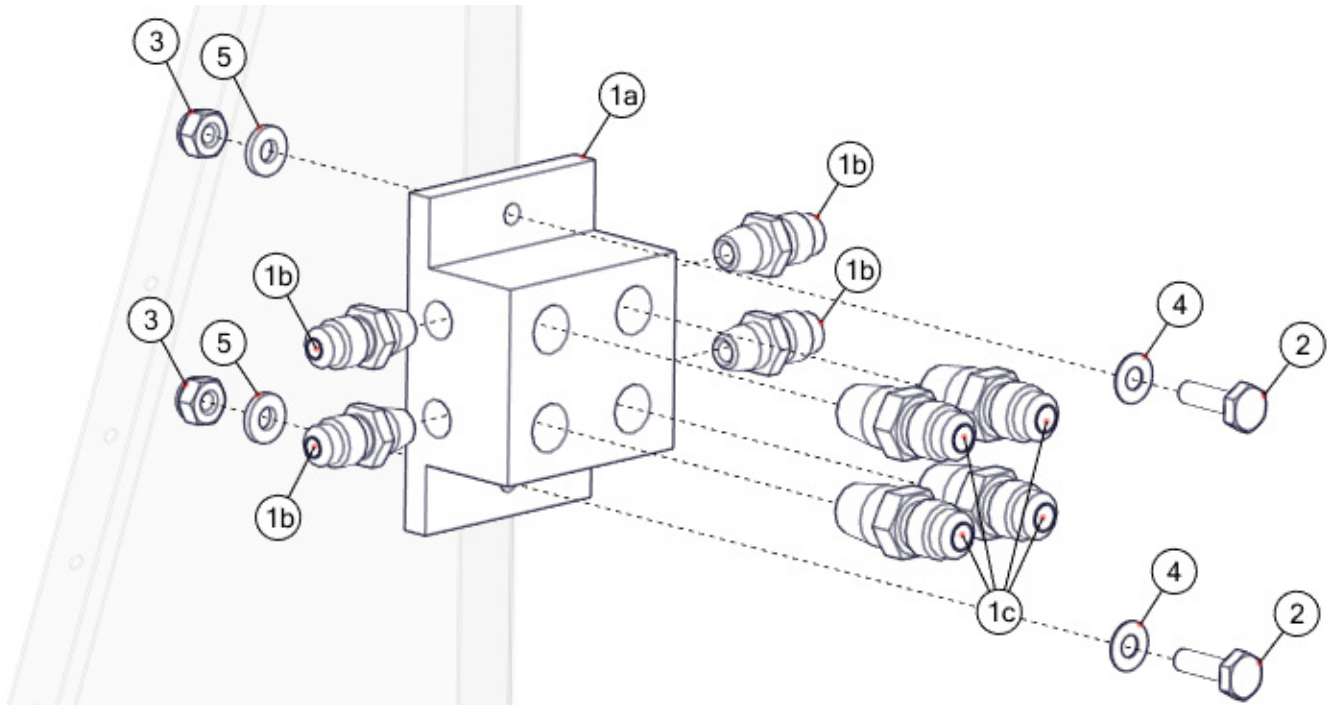


HYDRAULIC AND BRAKE COMPONENTS, LEFT FLOAT DETAIL A HYDRAULIC MANIFOLD COMPONENTS

| ITEM | QTY | PART NO. | PART DESCRIPTION |
|------|-----|---------------|---|
| 1* | 1 | 6A09000-027 | ASSEMBLY, MANIFOLD, HYDRAULIC, LEFT FLOAT |
| 1a | 1 | 6A09207-001 | MANIFOLD, HYDRAULIC, LEFT FLOAT |
| 1b | 4 | AN816-4D | FITTING |
| 1c | 2 | AN816-5-4D | FITTING |
| 2 | 2 | AN3-5A | BOLT |
| 3 | 2 | MS21044N3 | NUT |
| 4 | 2 | NAS1149D0316J | WASHER |
| 5 | 2 | NAS1149D0363J | WASHER |

*See [Nomenclature System](#) section when ordering assemblies

HYDRAULIC AND BRAKE COMPONENTS, RIGHT FLOAT DETAIL A HYDRAULIC MAINFOLD COMPONENTS

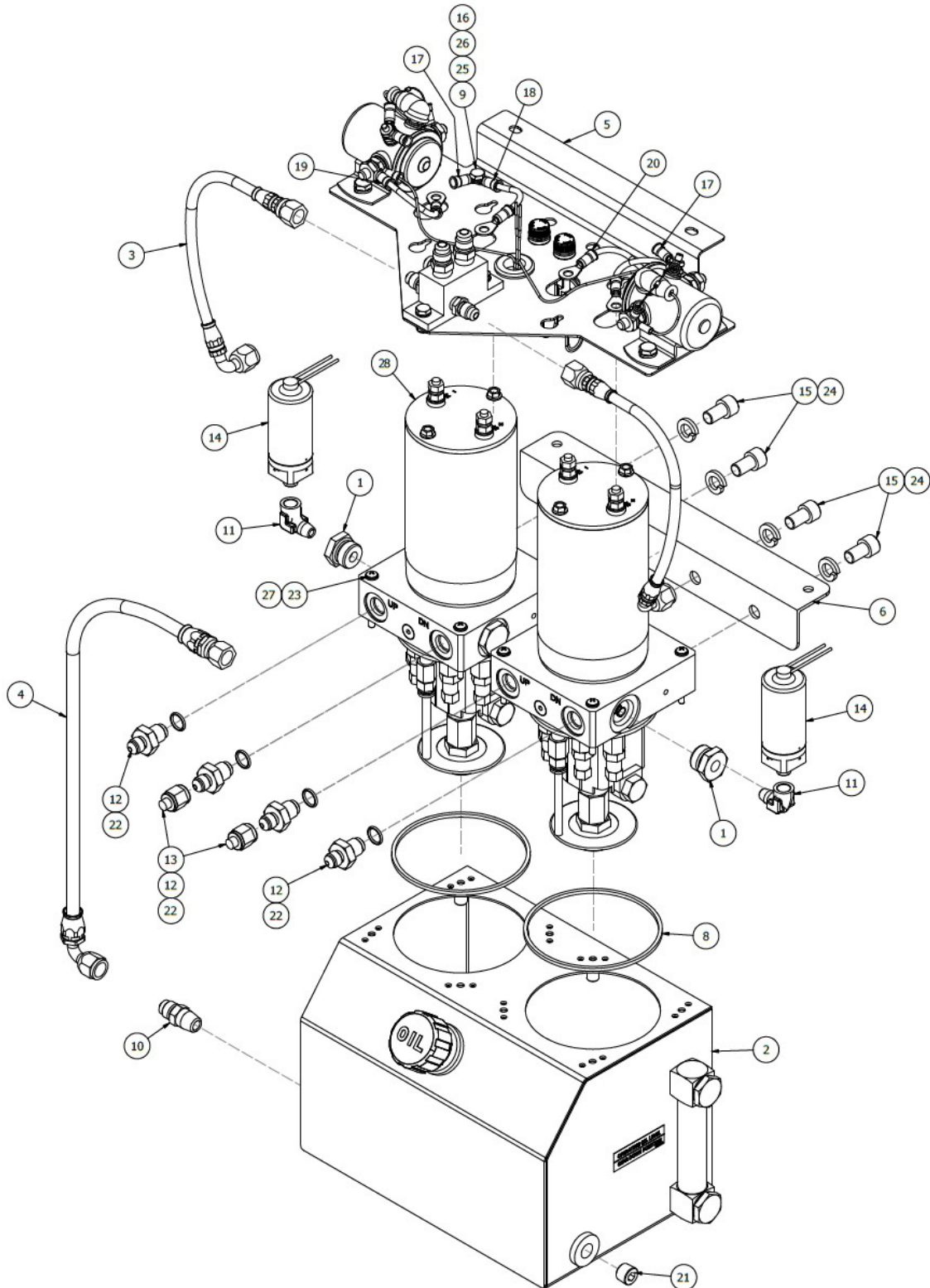


HYDRAULIC AND BRAKE COMPONENTS, RIGHT FLOAT DETAIL A HYDRAULIC MANIFOLD COMPONENTS

| ITEM | QTY | PART NO. | PART DESCRIPTION |
|------|-----|---------------|--|
| 1* | 1 | 6A09000-028 | ASSEMBLY, MANIFOLD, HYDRAULIC, RIGHT FLOAT |
| 1a | 1 | 6A09046-001 | MANIFOLD, HYDRAULIC, RIGHT FLOAT |
| 1b | 4 | AN816-4D | FITTING |
| 1c | 4 | AN816-5-4D | FITTING |
| 2 | 2 | AN3-5A | BOLT |
| 3 | 2 | MS21044N3 | NUT |
| 4 | 2 | NAS1149D0316J | WASHER |
| 5 | 2 | NAS1149D0363J | WASHER |

*See [Nomenclature System](#) section when ordering assemblies

1011404 ASSEMBLY, HYDRAULIC POWER PACK (UNI-DIRECTIONAL) POST SERVICE LETTER 214 & 215

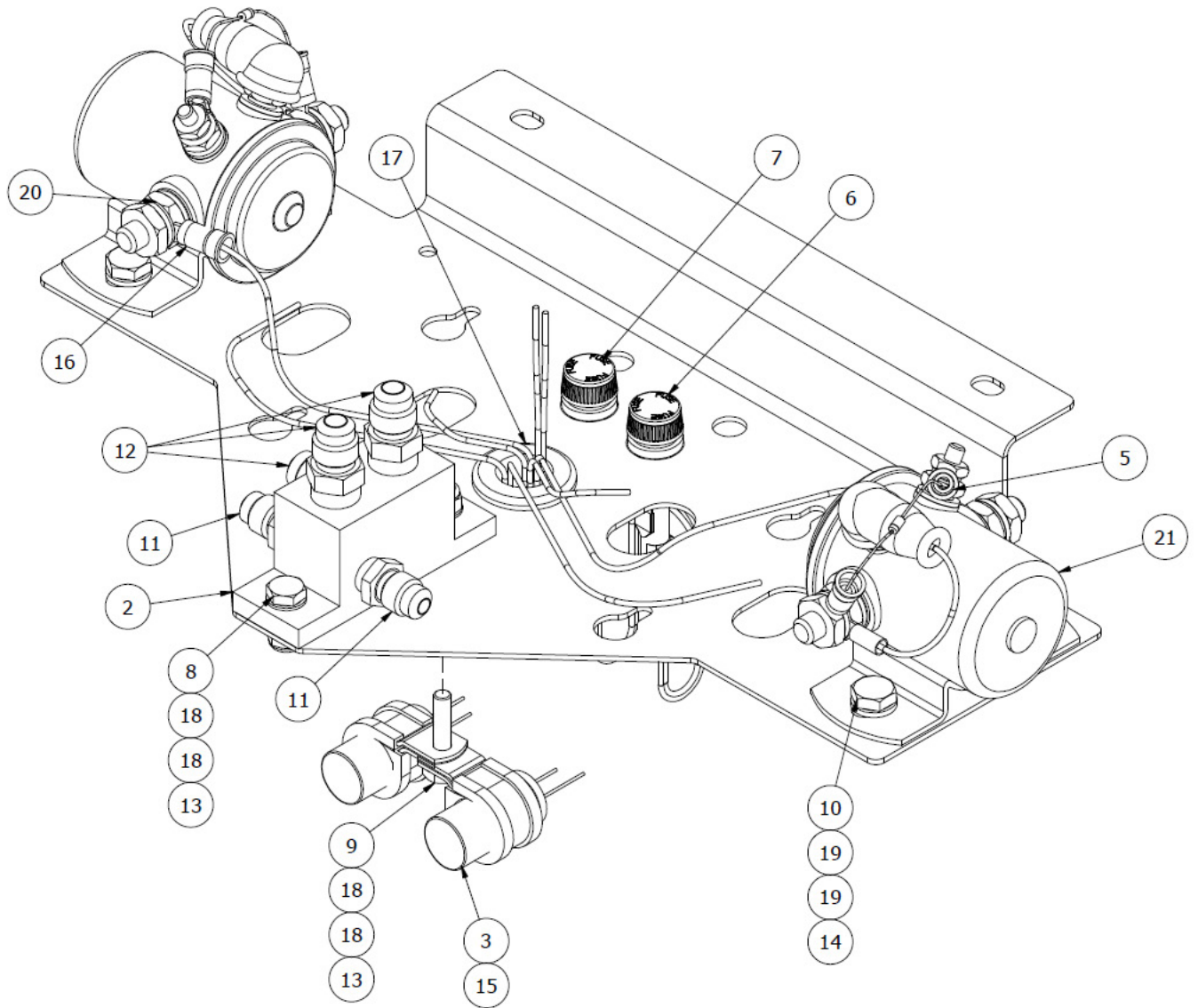


**1011404 ASSEMBLY, HYDRAULIC POWER PACK (UNI-DIRECTIONAL)
POST SERVICE LETTER 214 & 215**

| ITEM | QTY | PART NO. | PART DESCRIPTION |
|------|-----|----------------------------------|--|
| - | 1 | 1011404 | ASSEMBLY, HYDRAULIC POWER PACK |
| 1 | 2 | 1011062 | ASSEMBLY, PLUG, PRESSURE SWITCH PORT |
| 2 | 1 | 1011359 | ASSEMBLY, HYDRAULIC PUMP RESERVOIR |
| 3 | 2 | 1011361-01 | HYDRAULIC HOSE ASSEMBLY, MANIFOLD TO PUMP |
| 4 | 1 | 1011361-05 | HOSE, MANIFOLD TO RESERVOIR |
| 5 | 1 | 1011402 | ASSEMBLY, BRACKET, PUMP MOUNT |
| 6 | 1 | 1011403 | ANGLE, PUMP MOUNT, LOWER |
| 7 | 1 | 22759-16-12-9 | WIRE, 12AWG, WHITE |
| 8 | 2 | 4061T199 | SQUARE PROFILE, O-RING, 3.5" I.D., .094 THK |
| 9 | 2 | AN3-4A | BOLT, 10-32, 0.125 GRIP, UNDRILLED, STEEL |
| 10 | 1 | AN816-5-4D | NIPPLE, FLARED TUBE AND PIPE THREAD |
| 11 | 2 | AN914-1D | ELBOW, 90 DEGREES, INTERNALEXTERNAL PIPE |
| 12 | 4 | AN919-3D | FITTING, REDUCER |
| 13 | 2 | AN929-4 | CAP |
| 14 | 2 | GPP1250-40 | PRESSURE SWITCH |
| 15 | 4 | MS16997-96 | SOCKET HEAD CAP SCREW |
| 16 | 2 | MS21044N3 | NUT, LOCKING, REGULAR HEIGHT, 10-32 UNF |
| 17 | 4 | MS25036-103 | RING TERNMINAL, #10 STUD, 22-16 AWG, RED |
| 18 | 2 | MS25036-112 | RING TERNMINAL, #10 STUD, 10-12 AWG, YELLOW |
| 19 | 2 | MS25036-113 | RING TERNMINAL, 5/16 STUD, 10-12 AWG, YELLOW |
| 20 | 4 | MS25036-157 | RING TERNMINAL, #10 STUD, 10-12 AWG, YELLOW |
| 21 | 1 | MS27769D3 | PLUG, PIPE, COUNTERSINK HEX HEAD |
| 22 | 4 | MS28775-013 | "O" RING, HYDRAULIC |
| 23 | 8 | MS35206-252 | SCREW, MACHINE, PAN HEAD |
| 24 | 4 | MS35338-46 | WASHER, SPLIT |
| 25 | 2 | NAS1149F0332P | WASHER, 0.203 ID, 0.032 THK, STEEL |
| 26 | 2 | NAS1149F0363P | WASHER, 0.203 ID, 0.063 THK, STEEL |
| 27 | 8 | NAS1149FN832P | WASHER, 0.174 ID, 0.032 THK, STEEL |
| 28 | 2 | YBZS- D0.63W2T100K/ UVZOT2 | HYDRAULIC POWER PACK, 24VDC, .64 PUMP |

*See [Nomenclature System](#) section when ordering assemblies

1011402 ASSEMBLY, BRACKET, PUMP MOUNT POST SERVICE LETTER 214 & 215

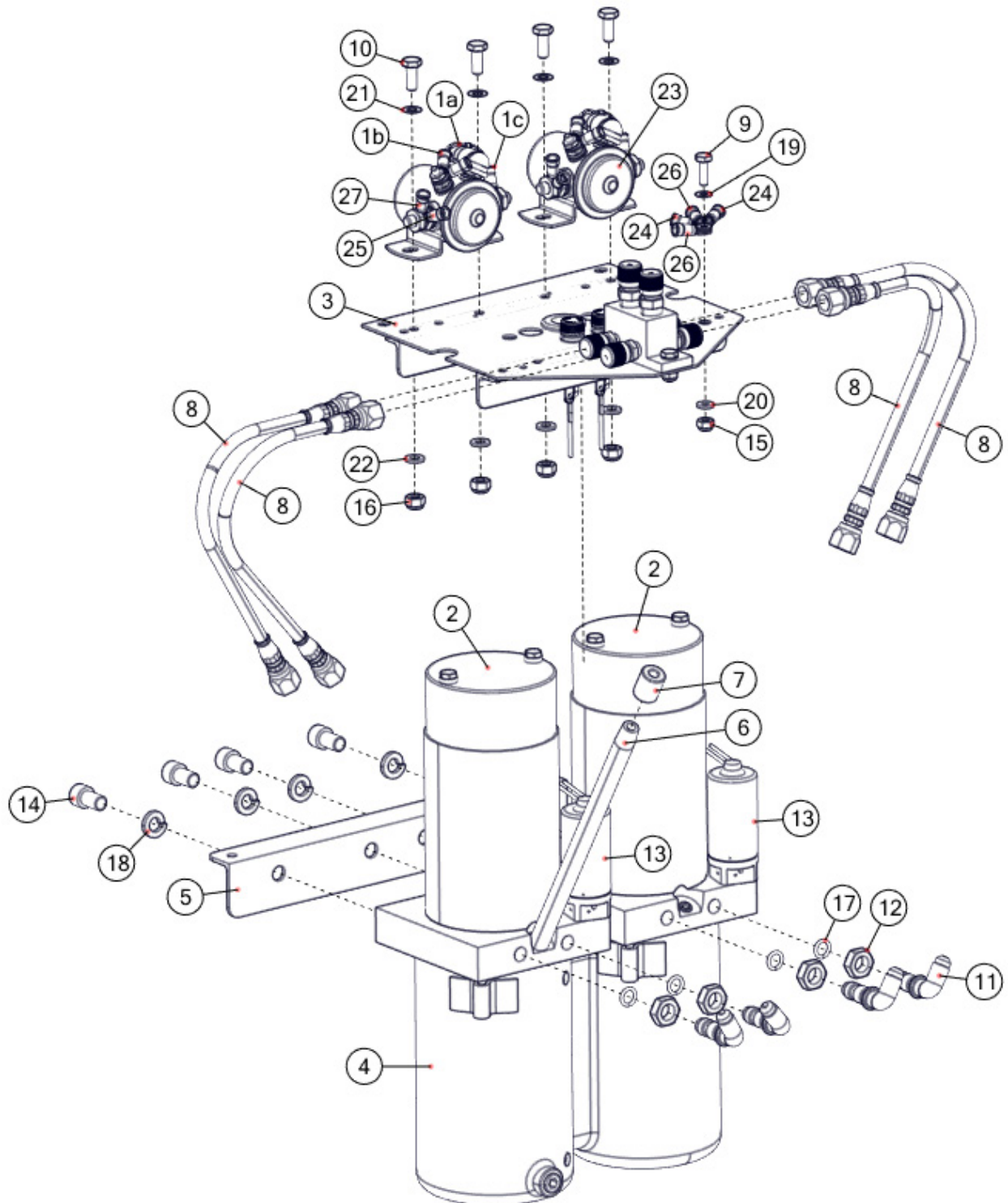


**1011402 ASSEMBLY, BRACKET, PUMP MOUNT
POST SERVICE LETTER 214 & 215**

| ITEM | QTY | PART NO. | PART DESCRIPTION |
|------|------|---------------|---|
| - | 1 | 1011402 | ASSEMBLY, BRACKET, PUMP MOUNT |
| 1 | 1 | 1011401 | UPPER BRACKET, HYDRAULIC PUMP |
| 2 | 1 | 1011405 | MANIFOLD, HYDRAULIC |
| 3 | 2 | 1011798 | ASSEMBLY, CAPACITOR |
| 4 | 4 FT | 22759-16-20-9 | WIRE, 20 AWG, WHITE |
| 5 | 2 | 3A10000-002 | ASSEMBLY, SOLENOID DIODE |
| 6 | 1 | 6A09000-128 | ASSEMBLY, FUSE HOLDER, RIGHT |
| 7 | 1 | 6A09000-129 | ASSEMBLY, FUSE HOLDER, LEFT |
| 8 | 1 | AN3-5A | BOLT, 10-32, 0.25 GRIP, UNDRILLED, STEEL |
| 9 | 1 | AN3-7A | BOLT, 10-32, 0.5 GRIP, UNDRILLED, STEEL |
| 10 | 4 | AN4-5A | BOLT, 1/4-28, 0.1875 GRIP, UNDRILLED, STEEL |
| 11 | 2 | AN816-4D | NIPPLE, FLARED TUBE AND PIPE THREAD |
| 12 | 3 | AN816-5-4D | NIPPLE, FLARED TUBE AND PIPE THREAD |
| 13 | 2 | MS21044N3 | NUT, LOCKING, REGULAR HEIGHT, 10-32 UNF |
| 14 | 4 | MS21044N4 | NUT, LOCKING, REGULAR HEIGHT, 1/4-28 UNF |
| 15 | 2 | MS21919WDG10 | CLAMP, LOOP, CUSHIONED, 5/8 TUBE OD |
| 16 | 2 | MS25036-104 | RING TERMINAL, 5/16 STUD, 22-16 AWG, RED |
| 17 | 1 | MS35489-17 | GROMMET, RUBBER |
| 18 | 4 | NAS1149F0332P | WASHER, 0.203 ID, 0.032 THK, STEEL |
| 19 | 8 | NAS1149F0463P | WASHER, 0.265 ID, 0.063 THK, STEEL |
| 20 | 4 | NAS1149F0532P | WASHER, 0.328 ID, 0.032 THK, STEEL |
| 21 | 2 | P52-0035-1 | STARTER, 24V |

*See [Nomenclature System](#) section when ordering assemblies

6A09000-029 ASSEMBLY, HYDRAULIC PUMP (UNIDIRECTIONAL) PRE SERVICE LETTER 214 & 215



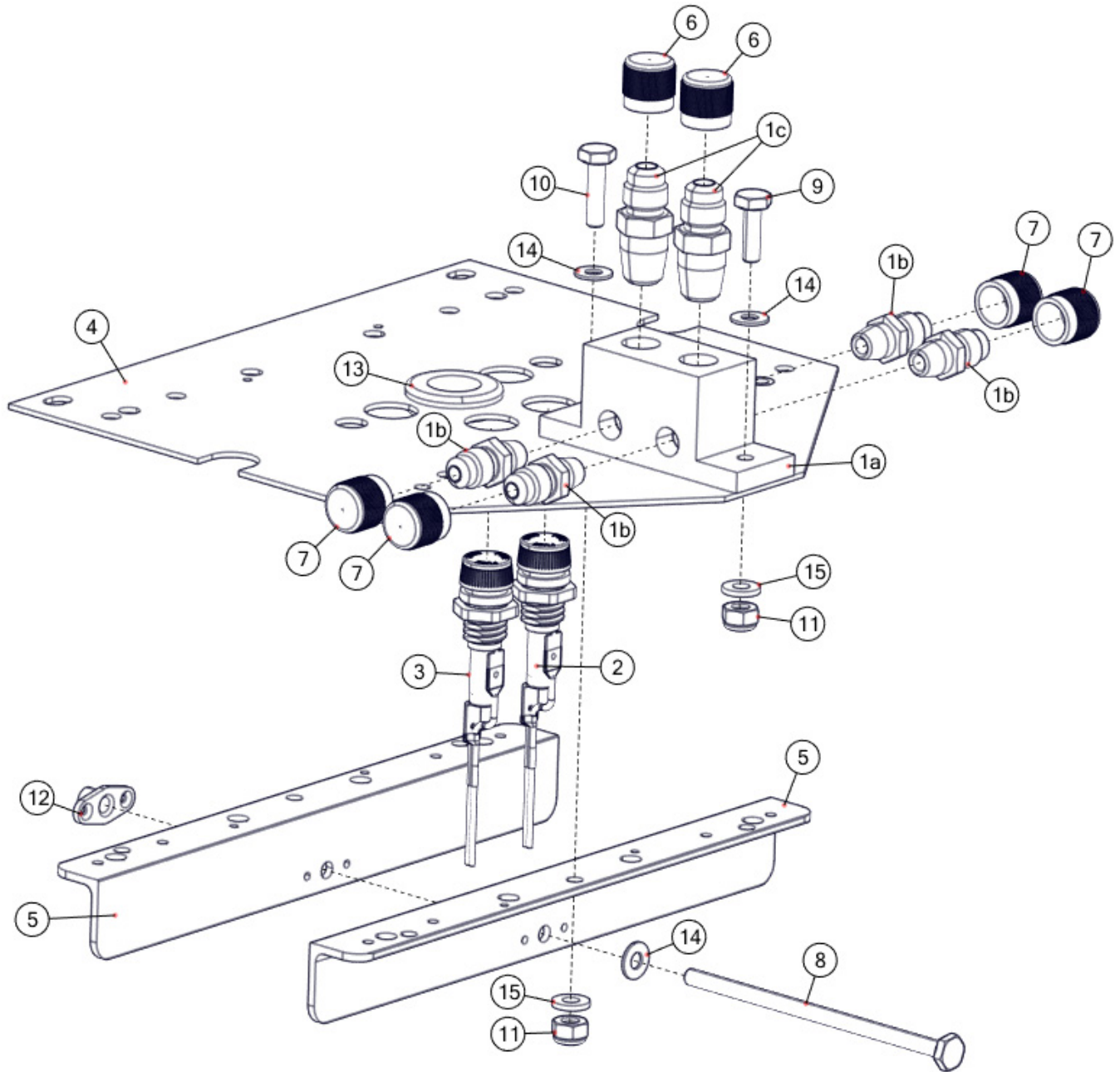
**6A09000-029 HYDRAULIC PUMP (UNIDIRECTIONAL)
PRE SERVICE LETTER 214 & 215**

| ITEM | QTY | PART NO. | PART DESCRIPTION |
|------|-----|---------------|--|
| 1* | 1 | 3A10000-002 | ASSEMBLY, SOLENOID DIODE |
| 1a | 1 | 1N4004 | DIODE |
| 1b | 1 | R-5 | RING CONNECTOR |
| 1c | 1 | R-7 | RING CONNECTOR |
| 2 | 2 | 636603A* | ASSEMBLY, PUMP, WITH MOTOR |
| 3 | 1 | 6A09000-030 | ASSEMBLY, PUMP MOUNT BRACKET |
| 4 | 1 | 6A09000-115 | ASSEMBLY, RESERVOIR |
| 5 | 1 | 6A09348-003 | ANGLE, ATTACH, HYDRAULIC PUMP |
| 6 | 1 | 6A09398-001 | FILLER PIPE, HYDRAULIC PUMP |
| 7 | 1 | 6A09706-001 | FILTER, HYDRAULIC PUMP |
| 8 | 4 | 8A09000-048 | ASSEMBLY, HYDRAULIC LINE, HYDRAULIC PUMP |
| 9 | 1 | AN3-5A | BOLT |
| 10 | 4 | AN4-5A | BOLT |
| 11 | 4 | AN833-4D | FITTING, ELBOW |
| 12 | 1 | AN924-4D | JAM NUT |
| 13 | 2 | GPP1250-23 | PRESSURE SWITCH |
| 14 | 4 | MS16997-96 | SCREW |
| 15 | 1 | MS21044N3 | NUT |
| 16 | 4 | MS21044N4 | NUT |
| 17 | 4 | MS28775-012 | O-RING |
| 18 | 4 | MS35338-46 | SPLIT WASHER |
| 19 | 1 | NAS1149D0316J | WASHER |
| 20 | 1 | NAS1149D0363J | WASHER |
| 21 | 4 | NAS1149D0416J | WASHER |
| 22 | 4 | NAS1149D0463J | WASHER |
| 23 | 2 | P52-0035-1 | STARTER, 24V |
| 24 | 4 | R-5 | RING CONNECTOR |
| 25 | 2 | R-7 | RING CONNECTOR |
| 26 | 2 | Y-4 | RING CONNECTOR |
| 27 | 2 | Y-6 | RING CONNECTOR |

*See [Nomenclature System](#) section when ordering assemblies

* Hydraulic Pump 636603A has individual alternate part numbers that can be found on Wipaire drawing 1011032 Contact Wipaire Customer Service for details.

6A09000-030 ASSEMBLY, PUMP MOUNT BRACKET (UNIDIRECTIONAL) PRE SERVICE LETTER 214 & 215

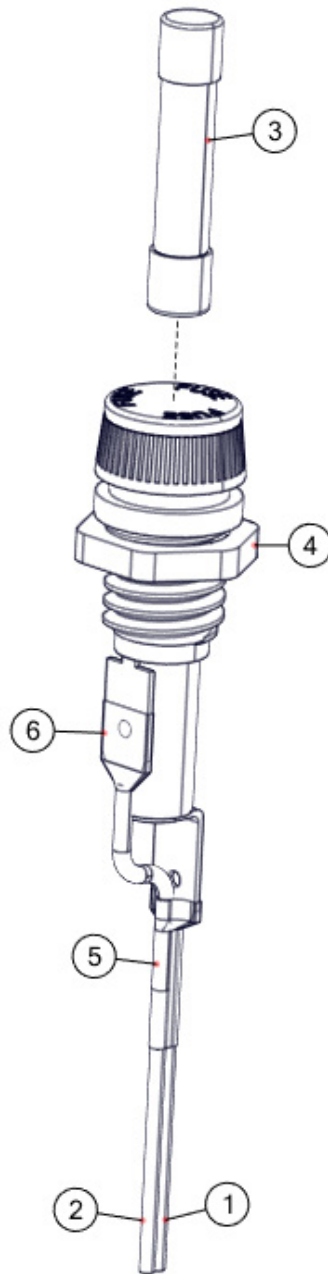


**6A09000-030 ASSEMBLY, PUMP MOUNT BRACKET
PRE SERVICE LETTER 214 & 215**

| ITEM | QTY | PART NO. | PART DESCRIPTION |
|------|-----|---------------|-------------------------------|
| 1* | 1 | 6A09000-027 | ASSEMBLY, MANIFOLD, HYDRAULIC |
| 1a | 1 | 6A09207-001 | MANIFOLD, HYDRAULIC |
| 1b | 4 | AN816-4D | FITTING |
| 1c | 2 | AN816-5-4D | FITTING |
| 2 | 1 | 6A09000-128 | ASSEMBLY, FUSE HOLDER, RIGHT |
| 3 | 1 | 6A09000-129 | ASSEMBLY, FUSE HOLDER, LEFT |
| 4 | 1 | 6A09003-029 | BRACKET, HYDRAULIC PUMP |
| 5 | 2 | 6A09359-055 | ANGLE, PUMP MOUNT, PLATE, TOP |
| 6 | 2 | 820-01291 | CAP |
| 7 | 4 | 824-0299 | CAP |
| 8 | 1 | AN3-37A | BOLT |
| 9 | 1 | AN3-5A | BOLT |
| 10 | 1 | AN3-6A | BOLT |
| 11 | 2 | MS21044N3 | NUT |
| 12 | 1 | MS21078-3 | NUT PLATE |
| 13 | 1 | MS35489-17 | GROMMET |
| 14 | 3 | NAS1149F0332P | WASHER |
| 15 | 2 | NAS1149F0363P | WASHER |

*See [Nomenclature System](#) section when ordering assemblies

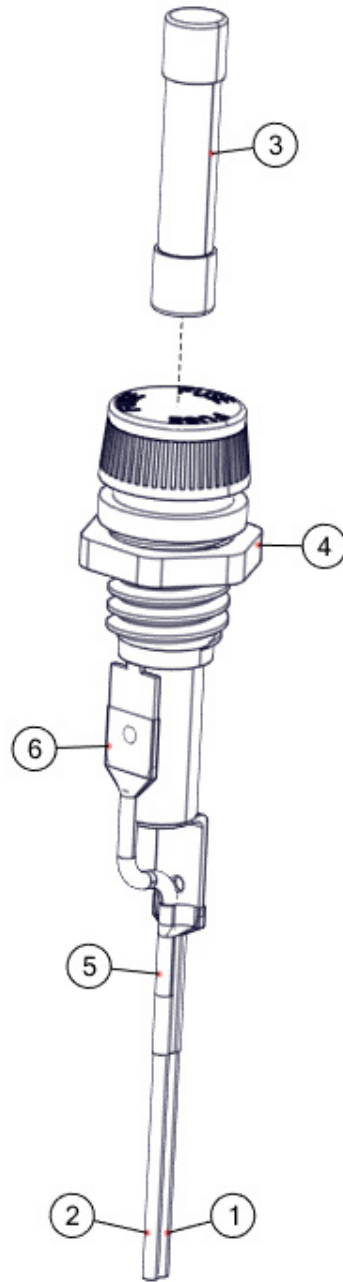
6A09000-128 ASSEMBLY, FUSE HOLDER, RIGHT



6A09000-128 ASSEMBLY, FUSE HOLDER, RIGHT

| ITEM | QTY | PART NO. | PART DESCRIPTION |
|------|-----|-------------------|----------------------------------|
| 1 | 1 | 22759-16-20-9GE10 | WIRE, 20 AWG, WHITE, MARKED GE10 |
| 2 | 1 | 22759-16-20-9GE12 | WIRE, 20 AWG, WHITE, MARKED GE12 |
| 3 | 1 | AGC-1 | FUSE, 250V |
| 4 | 1 | HCM | FUSE HOLDER |
| 5 | 1 | HS105-3/16-0 | HEAT SHRINK, TUBING, BLACK |
| 6 | 1 | RNF-3/32-0 | TUBING, SHRINK BLACK |

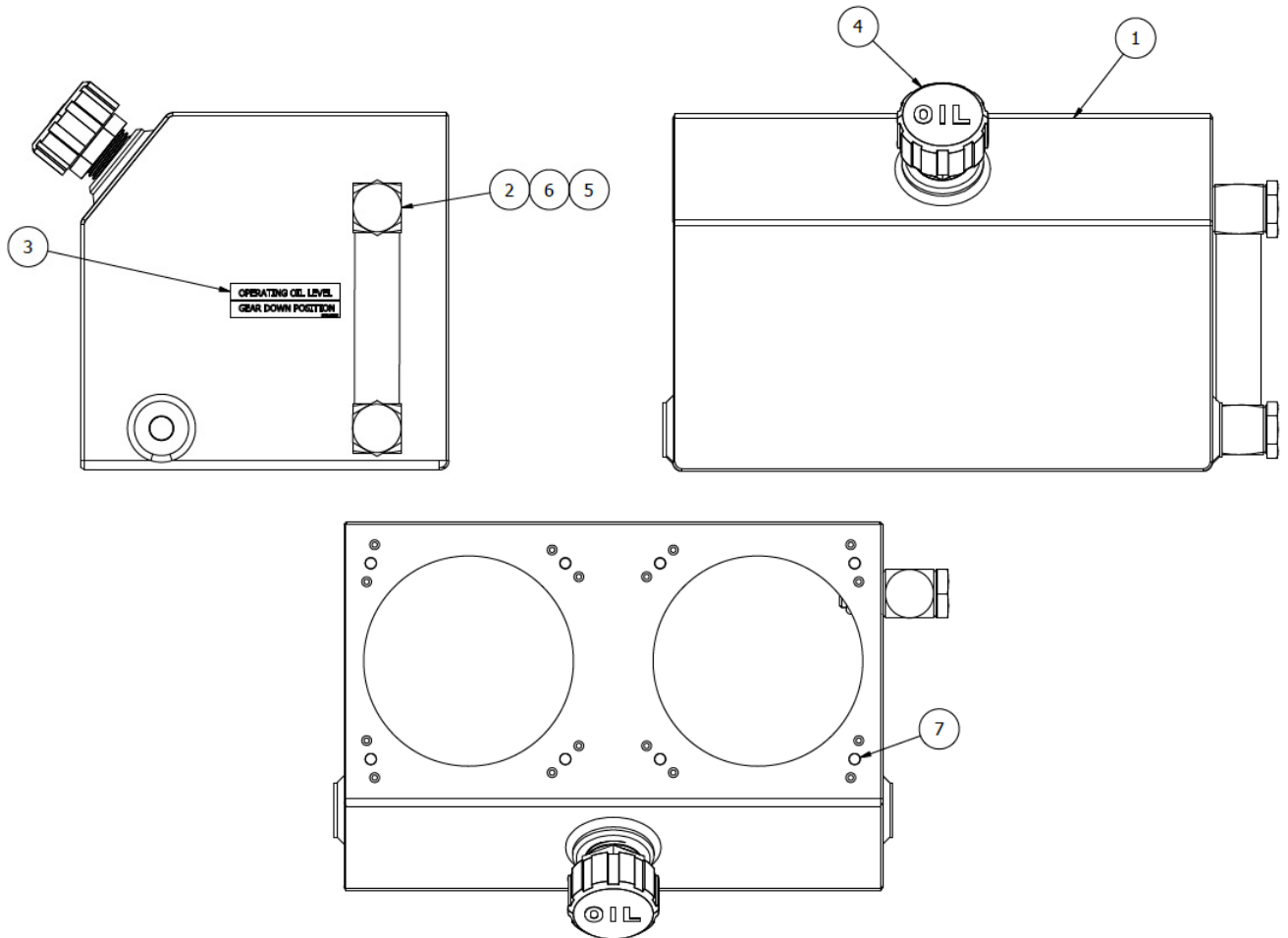
6A09000-129 ASSEMBLY, FUSE HOLDER, LEFT



6A09000-129 ASSEMBLY, FUSE HOLDER, LEFT

| ITEM | QTY | PART NO. | PART DESCRIPTION |
|------|-----|-------------------|----------------------------------|
| 1 | 1 | 22759-16-20-9GE11 | WIRE, 20 AWG, WHITE, MARKED GE11 |
| 2 | 1 | 22759-16-20-9GE12 | WIRE, 20 AWG, WHITE, MARKED GE12 |
| 3 | 1 | AGC-1 | FUSE, 250V |
| 4 | 1 | HCM | FUSE HOLDER |
| 5 | 1 | HS105-3/16-0 | HEAT SHRINK, TUBING, BLACK |
| 6 | 1 | RNF-3/32-0 | TUBING, SHRINK BLACK |

1011359 ASSEMBLY, HYDRAULIC PUMP RESERVOIR POST SERVICE LETTER 214 & 215

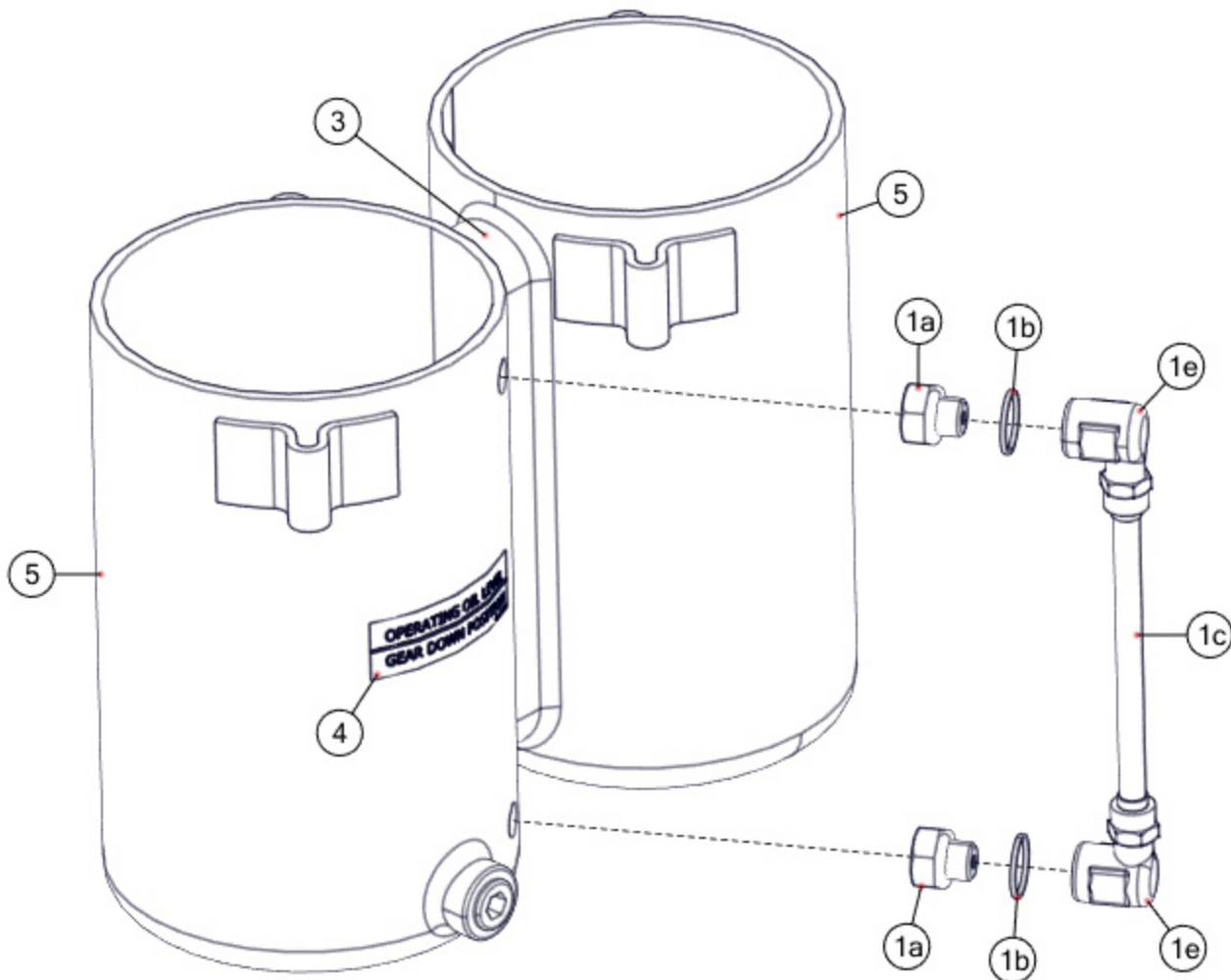


1011359 ASSEMBLY, HYDRAULIC PUMP RESERVOIR POST SERVICE LETTER 214 & 215

| ITEM | QTY | PART NO. | PART DESCRIPTION |
|------|-----|---------------|---|
| - | 1 | 1011359 | ASSEMBLY, HYDRAULIC PUMP RESERVOIR |
| 1 | 1 | 1011359B | BLANK, ASSEMBLY, HYDRAULIC PUMP RESERVOIR |
| 2 | 1 | 1192K17 | LIQUID LEVEL INDICATOR, 4" |
| 3 | 1 | 6A3-2199 | PLACARD, OIL LEVEL |
| 4 | 1 | 8631T24 | BREATHER VENT, WITH SPLASH GUARD |
| 5 | 2 | MS21044N8 | NUT, LOCKING, REGULAR HEIGHT, 1/2-20 UNF |
| 6 | 2 | NAS1149D0832J | WASHER, 0.515 ID, 0.032 THK, ALUMINUM |
| 7 | 8 | NAS1473A08 | NUTPLATE SEALED |

*See [Nomenclature System](#) section when ordering assemblies

**6A09000-115 ASSEMBLY, RESERVOIR
PRE SERVICE LETTER 214 & 215**

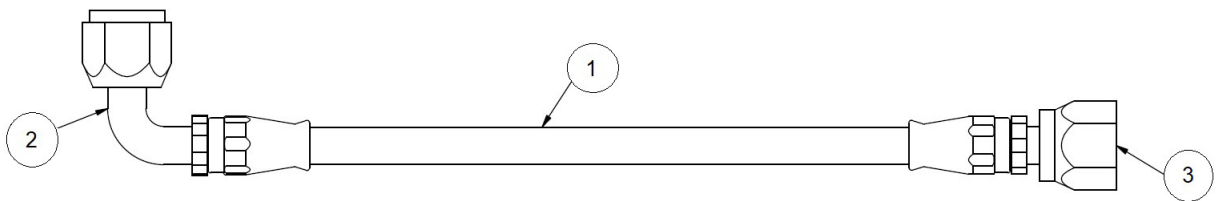


**6A09000-115 ASSEMBLY, RESERVOIR
PRE SERVICE LETTER 214 & 215**

| ITEM | QTY | PART NO. | PART DESCRIPTION |
|------|-----|-------------|--|
| 1* | 1 | 1005344 | ASSEMBLY, SIGHT GAUGE, HYDRAULIC RESERVOIR |
| 1a | 2 | 360824 | SIGHT GAUGE SCREW |
| 1b | 2 | 361049 | O-RING RETAINER |
| 1c | 1 | 361507 | SIGHT GAUGE TUBE |
| 1d | 2 | 402266 | O-RING |
| 1e | 2 | 410330 | SIGHT GAUGE ELBOW |
| 2 | 1 | 6A09183-003 | SPACER, HYDRAULIC PUMP |
| 3 | 1 | 6A3-2199 | PLACARD, OIL LEVEL |
| 4 | 2 | 704528 | RESERVOIR |

*See [Nomenclature System](#) section when ordering assemblies

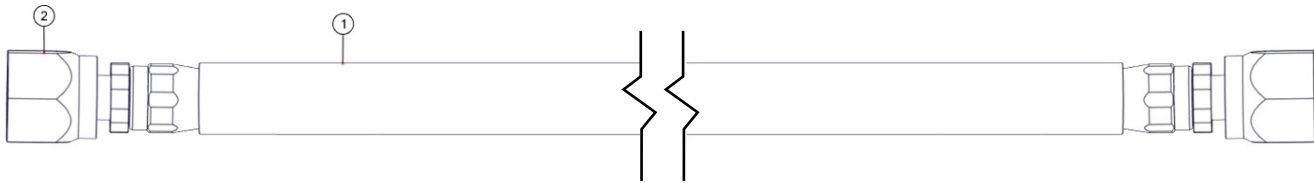
1011361-01 HYDRAULIC HOSE ASSEMBLY, MANIFOLD TO PUMP
POST SERVICE LETTER 214 & 215



1011361-01 HYDRAULIC HOSE ASSEMBLY, MANIFOLD TO PUMP
POST SERVICE LETTER 214 & 215

| ITEM | QTY | PART NO. | PART DESCRIPTION |
|------|-------|-------------|---|
| - | 1 | 1011361-01 | HYDRAULIC HOSE ASSEMBLY, MANIFOLD TO PUMP |
| 1 | 1 FT. | 2807-4 | HOSE, PUMP TO MANIFOLD |
| 2 | 1 | 190772-4 | FITTING, AERO QUIP #4, 90 DEGREE |
| 3 | 1 | 63-190600-4 | FITTING, AERO QUIP HOSE #4 |

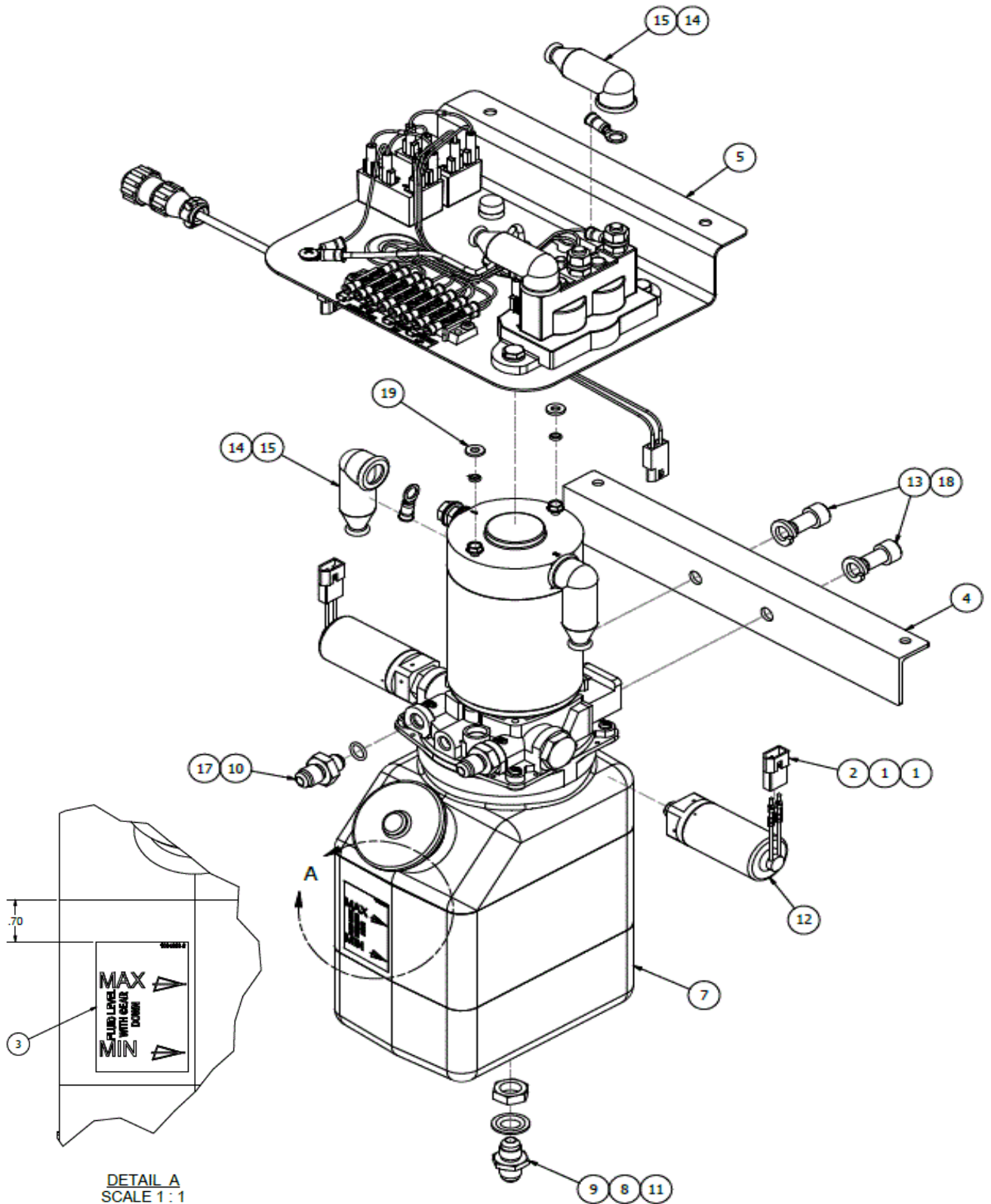
8A09000-048 ASSEMBLY, HYDRAULIC LINE, HYDRAULIC PUMP
PRE SERVICE LETTER 214 & 215



8A09000-048 ASSEMBLY, HYDRAULIC LINE, HYDRAULIC PUMP
PRE SERVICE LETTER 214 & 215

| ITEM | QTY | PART NO. | PART DESCRIPTION |
|------|-----|-------------|---------------------------|
| 1 | 1' | 2807-4 | HOSE |
| 2 | 2 | 63-190600-4 | FITTING, STRAIGHT |
| - | 1 | PD-40 | PLUG, PLASTIC (NOT SHOWN) |

1009773 HYDRAULIC PUMP (BI-DIRECTIONAL)

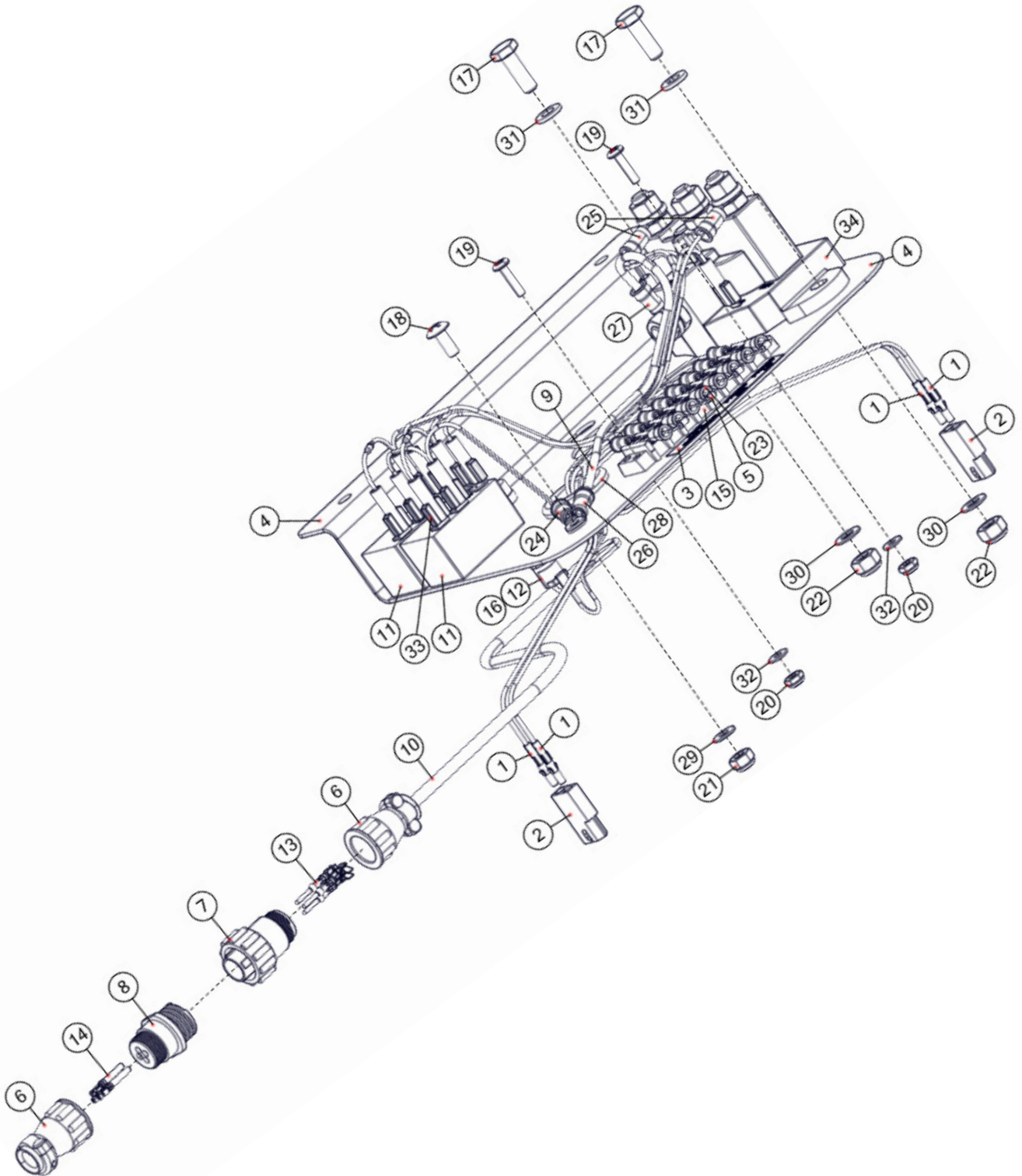


1009773 HYDRAULIC PUMP (BI-DIRECTIONAL)

| ITEM | QTY | PART NO. | PART DESCRIPTION |
|------|------|---------------|--|
| 1 | 4 | 02-09-2118 | PIN, CRIMP MALE, 1/8" DIA |
| 2 | 2 | 03-092022 | CONNECTOR PLUG, FEMALE |
| 3 | 1 | 1004663-2 | PLACARD, HYDRAULIC PUMP, FLUID LEVEL |
| 4 | 1 | 1009771 | ANGLE, HYDRAULIC PUMP BRACKET |
| 5 | 1 | 1009772 | ASSEMBLY, TOP PLATE, HYDRAULIC PUMP, 24V |
| 6 | 3 FT | 22759-16-10-9 | WIRE, 10 AWG, WHITE |
| 7 | 1 | 649680* | HYDRAULIC PUMP, 24V, BI-DIRECTIONAL |
| 8 | 1 | 93783A033 | SEALING WASHER |
| 9 | 1 | AN815-5D | UNION |
| 10 | 2 | AN919-3D | FITTING, REDUCER |
| 11 | 1 | AN924-5D | JAM NUT |
| 12 | 2 | GPP1250-40 | PRESSURE SWITCH |
| 13 | 2 | MS16997-96 | SOCKET HEAD CAP SCREW |
| 14 | 4 | MS25036-113 | RING TERMINAL |
| 15 | 4 | MS25171-2S | NIPPLE, ELECTRICAL TERMINAL |
| 17 | 2 | MS28775-012 | O RING, HYDRAULIC PACKING, .364 ID |
| 18 | 2 | MS35338-46 | SPLIT WASHER |
| 19 | 2 | NAS1149F0363P | WASHER, 0.203 ID, 0.063 THK, STEEL |

* Hydraulic Pump 649680 has individual alternate part numbers that can be found on Wipaire drawing 1011065. Contact Wipaire Customer Service for details.

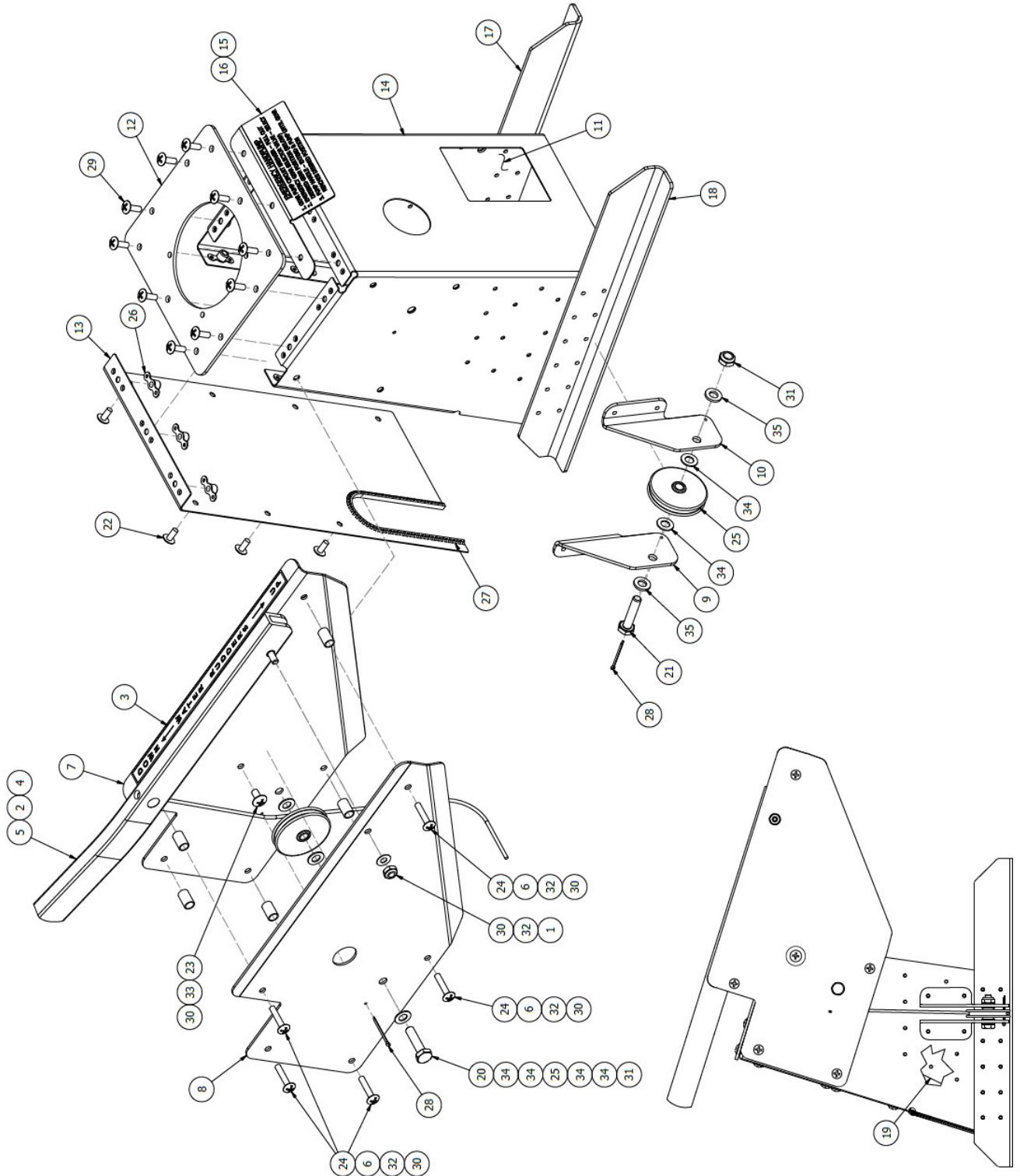
1009772 ASSEMBLY, TOP PLATE, HYDRAULIC PUMP, 24V



1009772 ASSEMBLY, TOP PLATE, HYDRAULIC PUMP, 24V

| ITEM | QTY | PART NO. | PART DESCRIPTION |
|------|-----|---------------|---------------------------|
| 1 | 4 | 02-09-1104 | PIN, CRIMP FEMALE |
| 2 | 2 | 03-09-1022 | CONNECTOR PLUG, MALE |
| 3 | 1 | 1009753 | PLACARD, TERMINAL STRIP |
| 4 | 1 | 1009754 | TOP PLATE, HYDRAULIC PUMP |
| 5 | 6 | 1N4004 | DIODE |
| 6 | 2 | 206062-3 | CLAMP, CABLE |
| 7 | 1 | 206429-1 | PLUG, MALE |
| 8 | 1 | 206430-2 | CONNECTOR HOUSING, FEMALE |
| 9 | 1' | 22759-16-10-9 | WIRE, 10 AWG, WHITE |
| 10 | 15' | 22759-16-20-9 | WIRE, 20 AWG, WHITE |
| 11 | 2 | 24DC1XC | TIMER RELAY |
| 12 | 1 | 3453LF2A | FUSE HOLDER |
| 13 | 3 | 66099-4 | PIN, MALE |
| 14 | 3 | 66105-4 | CRIMP SOCKET, FEMALE |
| 15 | 1 | 8-140 | TERMINAL BLOCK |
| 16 | 1 | AGC-1 | FUSE |
| 17 | 2 | AN4-6A | BOLT |
| 18 | 1 | AN526-1032R8 | SCREW |
| 19 | 2 | AN526-632R10 | SCREW |
| 20 | 2 | MS21044N06 | NUT |
| 21 | 1 | MS21044N3 | NUT |
| 22 | 2 | MS21044N4 | NUT |
| 23 | 19 | MS25036-101 | RING TERMINAL |
| 24 | 1 | MS25036-103 | RING TERMINAL |
| 25 | 2 | MS25036-104 | RING TERMINAL |
| 26 | 1 | MS25036-112 | RING TERMINAL |
| 27 | 1 | MS25036-113 | RING TERMINAL |
| 28 | 1 | MS35489-19 | GROMMET |
| 29 | 1 | NAS1149F0332P | SCREW |
| 30 | 2 | NAS1149F0432P | SCREW |
| 31 | 2 | NAS1149F0463P | SCREW |
| 32 | 2 | NAS1149FN632P | SCREW |
| 33 | 10 | R-10 | CONNECTOR, FEMALE |
| 34 | 1 | T24450-24 | SOLENOID, REVERSING |

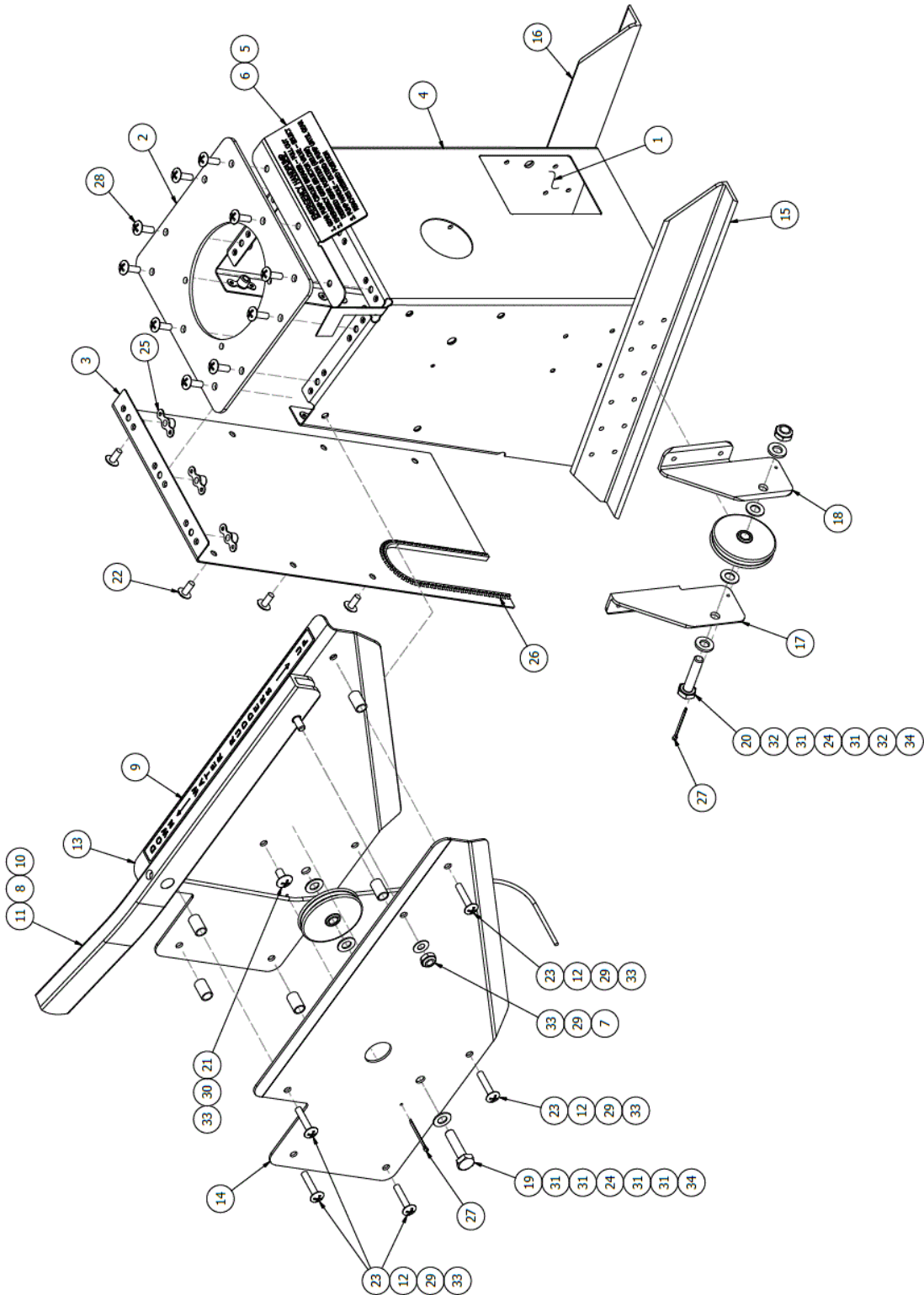
1009750 ASSEMBLY CONTROL CONSOLE POST SERVICE LETTER 214 & 215



**1009750 ASSEMBLY CONTROL CONSOLE
POST SERVICE LETTER 214 & 215**

| ITEM | QTY | PART NO. | PART DESCRIPTION |
|------|-----|---------------|---|
| - | 1 | 1009750 | ASSEMBLY, CONTROL CONSOLE |
| 1 | 2 | 3A08702-006 | PIVOT PIN, WATER RUDDER RETRACT HANDLE |
| 2 | 1 | 4A08506-002 | SWIVEL, RETRACT CABLE HANDLE |
| 3 | 1 | 5B3-595-2 | PLACARD, WATER RUDDER POSITION |
| 4 | 1 | 6A08000-015 | ASSEMBLY, CABLE, RETRACT HANDLE |
| 5 | 1 | 6A08414-002 | HANDLE, WATER RUDDER, RETRACT, BEAVER |
| 6 | 5 | 6A08613-003 | SPACER, RETRACT HANDLE |
| 7 | 1 | 6A11003-024 | PANEL, RETRACT HANDLE ATTACH, RIGHT |
| 8 | 1 | 6A11003-025 | PANEL, RETRACT HANDLE ATTACH, LEFT |
| 9 | 1 | 6A11339-035 | BRACKET, PULLEY, CONSOLE, LH |
| 10 | 1 | 6A11339-036 | BRACKET, PULLEY, CONSOLE RH |
| 11 | 1 | 1009746 | DOUBLER, CONSOLE, HAND PUMP |
| 12 | 1 | 1009747 | COVER, CONSOLE, TOP |
| 13 | 1 | 1009748 | COVER, CONSOLE, FWD |
| 14 | 1 | 1009749 | BODY, HYDRAULIC GEAR CONSOLE |
| 15 | 1 | 1009775 | PLACARD, EMERGENCY HANDPUMP |
| 16 | 1 | 1009782 | BRACKET, PLACARD, CENTER CONSOLE |
| 17 | 1 | 1011048 | ANGLE, CONSOLE ATTACH, RH |
| 18 | 1 | 1011049 | ANGLE, CONSOLE ATTACH, LH |
| 19 | 1 | 1011076 | DOUBLER, CONSOLE, PULLEY BRACKET |
| 20 | 1 | AN4-10A | BOLT, 1/4-28, 0.5625 GRIP, UNDRILLED, STEEL |
| 21 | 1 | AN4-11A | BOLT, 1/4-28, 0.6875 GRIP, UNDRILLED, STEEL |
| 22 | 7 | AN526-832R6 | SCREW, MACHINE, TRUSS HEAD |
| 23 | 1 | AN526-1032R6 | SCREW, MACHINE, TRUSS HEAD |
| 24 | 5 | AN526C1032R14 | SCREW, MACHINE, TRUSS HEAD |
| 25 | 2 | MS20219-2 | PULLEY |
| 26 | 17 | MS21047L08 | NUT PLATE, FIXED, STEEL, PLAIN, 8-32 |
| 27 | 1 | MS21266-1N | GROMMET EDGING |
| 28 | 2 | MS24665-136 | COTTER PIN |
| 29 | 10 | MS35214-42 | SCREW, MACHINE, TRUSS HEAD |
| 30 | 8 | NAS679-A3W | KAYNAR NUT |
| 31 | 2 | NAS679-A4W | KAYNAR NUT |
| 32 | 7 | NAS1149D0316J | WASHER, 0.203 ID, 0.016 THK, ALUMINUM |
| 33 | 1 | NAS1149F0332P | WASHER, 0.203 ID, 0.032 THK, STEEL |
| 34 | 6 | NAS1149F0432P | WASHER, 0.265 ID, 0.032 THK, STEEL |
| 35 | 2 | NAS1149F0463P | WASHER, 0.265 ID, 0.063 THK, STEEL |

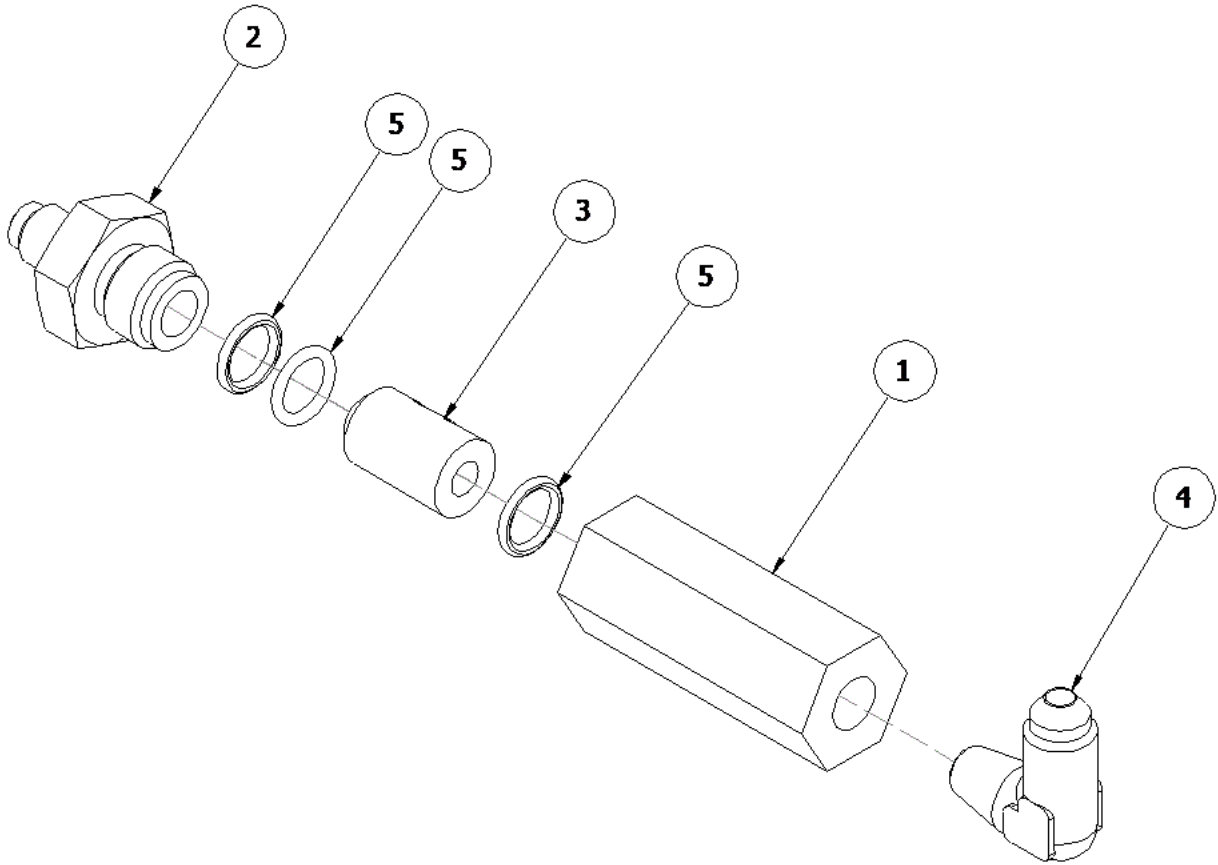
6A11000-001 ASSEMBLY CONTROL CONSOLE PRE SERVICE LETTER 214 & 215



**6A11000-001 ASSEMBLY CONTROL CONSOLE
PRE SERVICE LETTER 214 & 215**

| ITEM | QTY | PART NO. | PART DESCRIPTION |
|------|-----|---------------|---|
| 1 | 1 | 1009746 | DOUBLER, CONSOLE, HAND PUMP |
| 2 | 1 | 1009747 | COVER, CONSOLE, TOP |
| 3 | 1 | 1009748 | COVER, CONSOLE, FWD |
| 4 | 1 | 1009749 | BODY, HYDRAULIC GEAR CONSOLE |
| 5 | 1 | 1009775 | PLACARD, EMERGENCY HANDPUMP |
| 6 | 1 | 1009782 | BRACKET, PLACARD, CENTER CONSOLE |
| 7 | 2 | 3A08702-006 | PIVOT PIN, WATER RUDDER RETRACT HANDLE |
| 8 | 1 | 4A08506-002 | SWIVEL, RETRACT CABLE HANDLE |
| 9 | 1 | 5B3-595-2 | PLACARD, WATER RUDDER POSITION |
| 10 | 1 | 6A08000-015 | ASSEMBLY, CABLE, RETRACT HANDLE |
| 11 | 1 | 6A08414-002 | HANDLE, WATER RUDDER, RETRACT, BEAVER |
| 12 | 5 | 6A08613-003 | SPACER, RETRACT HANDLE |
| 13 | 1 | 6A11003-024 | PANEL, RETRACT HANDLE ATTACH, RIGHT |
| 14 | 1 | 6A11003-025 | PANEL, RETRACT HANDLE ATTACH, LEFT |
| 15 | 1 | 6A11339-033 | ANGLE, CONSOLE ATTACH, LH |
| 16 | 1 | 6A11339-034 | ANGLE, CONSOLE ATTACH, RH |
| 17 | 1 | 6A11339-035 | BRACKET, PULLEY, CONSOLE, L/H |
| 18 | 1 | 6A11339-036 | BRACKET, PULLEY, CONSOLE R/H |
| 19 | 1 | AN4-10A | BOLT, 1/4-28, 0.5625 GRIP, UNDRILLED, STEEL |
| 20 | 1 | AN4-11A | BOLT, 1/4-28, 0.6875 GRIP, UNDRILLED, STEEL |
| 21 | 1 | AN526-1032R6 | SCREW, MACHINE, TRUSS HEAD |
| 22 | 7 | AN526-832R6 | SCREW, MACHINE, TRUSS HEAD |
| 23 | 5 | AN526C1032R14 | SCREW, MACHINE, TRUSS HEAD |
| 24 | 2 | MS20219-2 | PULLEY |
| 25 | 17 | MS21047L08 | NUT PLATE, FIXED, STEEL, PLAIN, 8-32 |
| 26 | 1 | MS21266-1N | GROMMET EDGING |
| 27 | 2 | MS24665-136 | COTTER PIN |
| 28 | 10 | MS35214-42 | SCREW, MACHINE, TRUSS HEAD |
| 29 | 7 | NAS1149D0316J | WASHER, 0.203 ID, 0.016 THK, ALUMINUM |
| 30 | 1 | NAS1149F0332P | WASHER, 0.203 ID, 0.032 THK, STEEL |
| 31 | 6 | NAS1149F0432P | WASHER, 0.265 ID, 0.032 THK, STEEL |
| 32 | 2 | NAS1149F0463P | WASHER, 0.265 ID, 0.063 THK, STEEL |
| 33 | 8 | NAS679-A3W | KAYNAR NUT |
| 34 | 2 | NAS679-A4W | KAYNAR NUT |

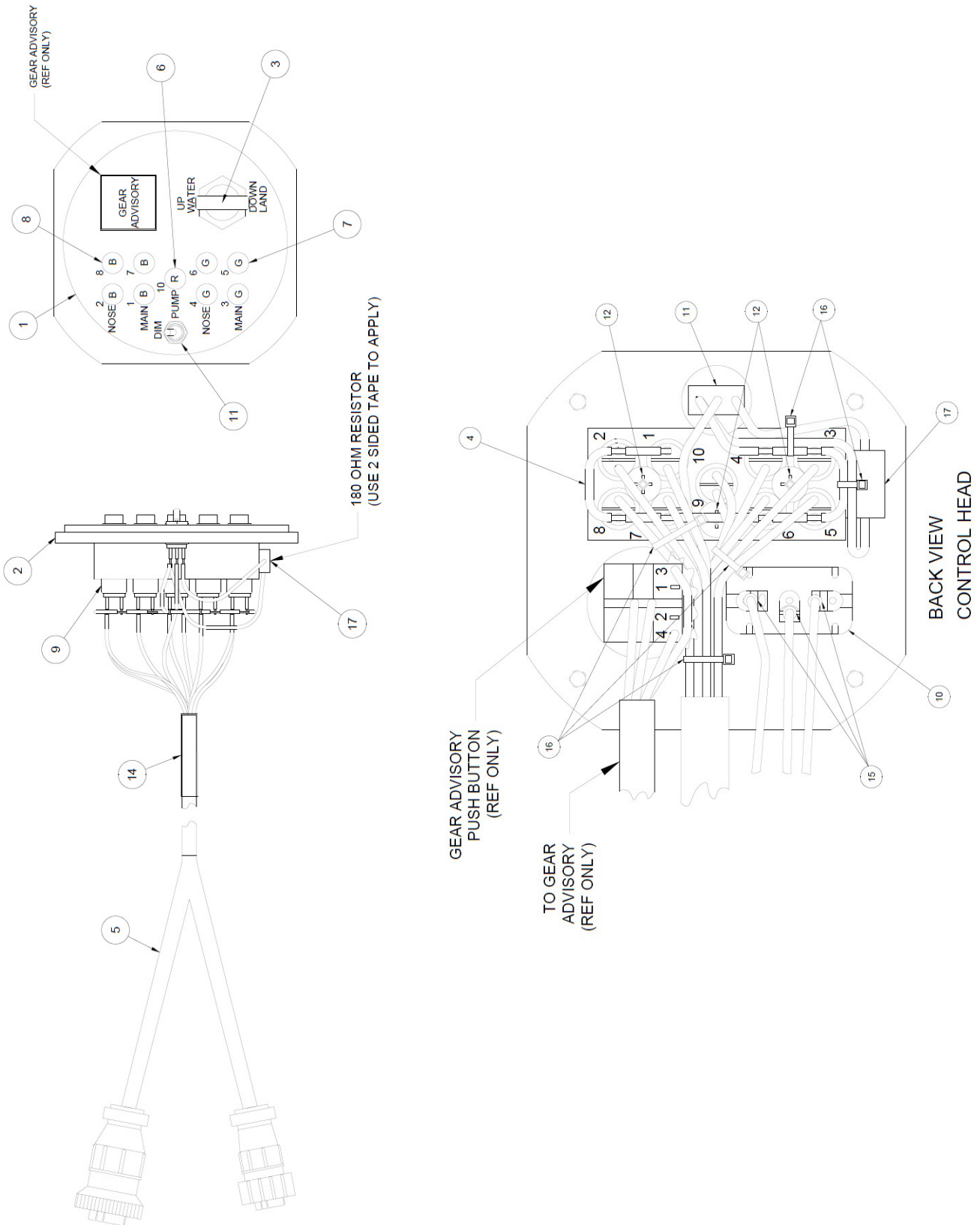
6A09000-024 ASSEMBLY, HAND PUMP CHECK VALVE



6A09000-024 ASSEMBLY, HAND PUMP CHECK VALVE

| ITEM | QTY | PART NO. | PART DESCRIPTION |
|------|-----|-------------|---|
| - | 1 | 6A09000-024 | ASSEMBLY, CHECK VALVE |
| 1 | 1 | 6A09258-003 | BODY, CHECK VALVE |
| 2 | 1 | 6A11705-001 | FITTING, CHECK VALVE, EMERGENCY HAND PUMP |
| 3 | 1 | 2203C-1 | CHECK VALVE, KEPPENER, 1/4" |
| 4 | 1 | MS20822-4D | ELBOW |
| 5 | 3 | MS28775-012 | O - RING, HYDRAULIC PACKING, .364 ID |

21A11000-019 GEAR SELECTOR ASSY, ROUND, 24V (BIDIRECTIONAL)

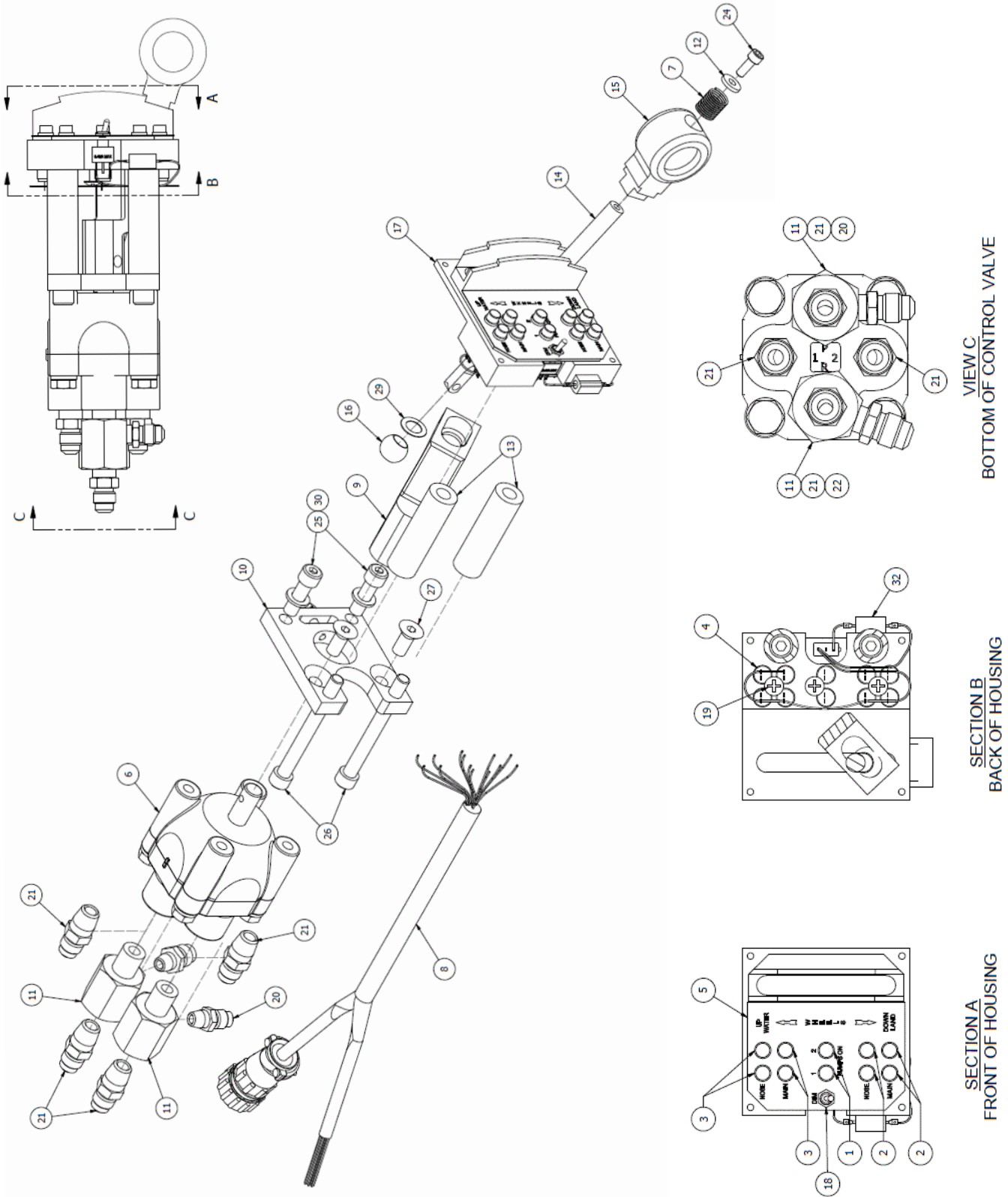


PARTS MANUAL FOR RIVETED
 WIPLINE MODEL 6100 AMPHIBIAN FLOATS SERIAL NUMBERS 61500 AND UP

21A11000-019 GEAR SELECTOR ASSY, ROUND, 24V (BIDIRECTIONAL)

| ITEM | QTY | PART NO. | PART DESCRIPTION |
|------|-------|------------------|-----------------------------------|
| - | 1 | 21A11000-019 | GEAR SELECTOR ASSY, ROUND, 24V |
| 1 | 1 | 10B3-6202 | PLACARD, ROUND 2100 GEAR SELECTOR |
| 2 | 1 | 21A11179-001 | BLOCK, GEAR CONTROL |
| 3 | 1 | 21A11259-003 | GEAR SWITCH KNOB |
| 4 | 6 IN | 22759-16-20-9 | WIRE, 20AWG, WHITE |
| 5 | 1 | 4A11000-008 | HARNESS ASSEMBLY, GEAR SELECTOR |
| 6 | 1 | 5073918-1431-600 | INDICATOR LAMP, 28V, RED |
| 7 | 4 | 5073918-1432-600 | INDICATOR LAMP, 28V, GREEN |
| 8 | 4 | 5073918-1434-600 | INDICATOR LAMP, 28V, BLUE |
| 9 | 9 | 515-0012 | SOCKET |
| 10 | 1 | 8857K44 | SWITCH |
| 11 | 1 | A101SYCB | SWITCH, TOGGLE, SPDT, ON-ON |
| 12 | 3 | AN526-632R8 | SCREW, TRUSS HEAD, 6-32 |
| 13 | 16 IN | M23053/5-105-9 | HEAT SHRINK, WHITE, 3/16" |
| 14 | 3 IN | M23053/5-108-0 | HEAT SHRINK. BLACH, 1/2" |
| 15 | 3 | MS25036-102 | RING CONNECTOR, #6, 20AWG, RED |
| 16 | 5 | PLT1M-M | CABLE TIE |
| 17 | 1 | RH005180R0FE02 | RESISTOR, 28V, DALE RH5 5W |

6A09000-157 ASSEMBLY, GEAR SELECTOR VALVE (UNIDIRECTIONAL)

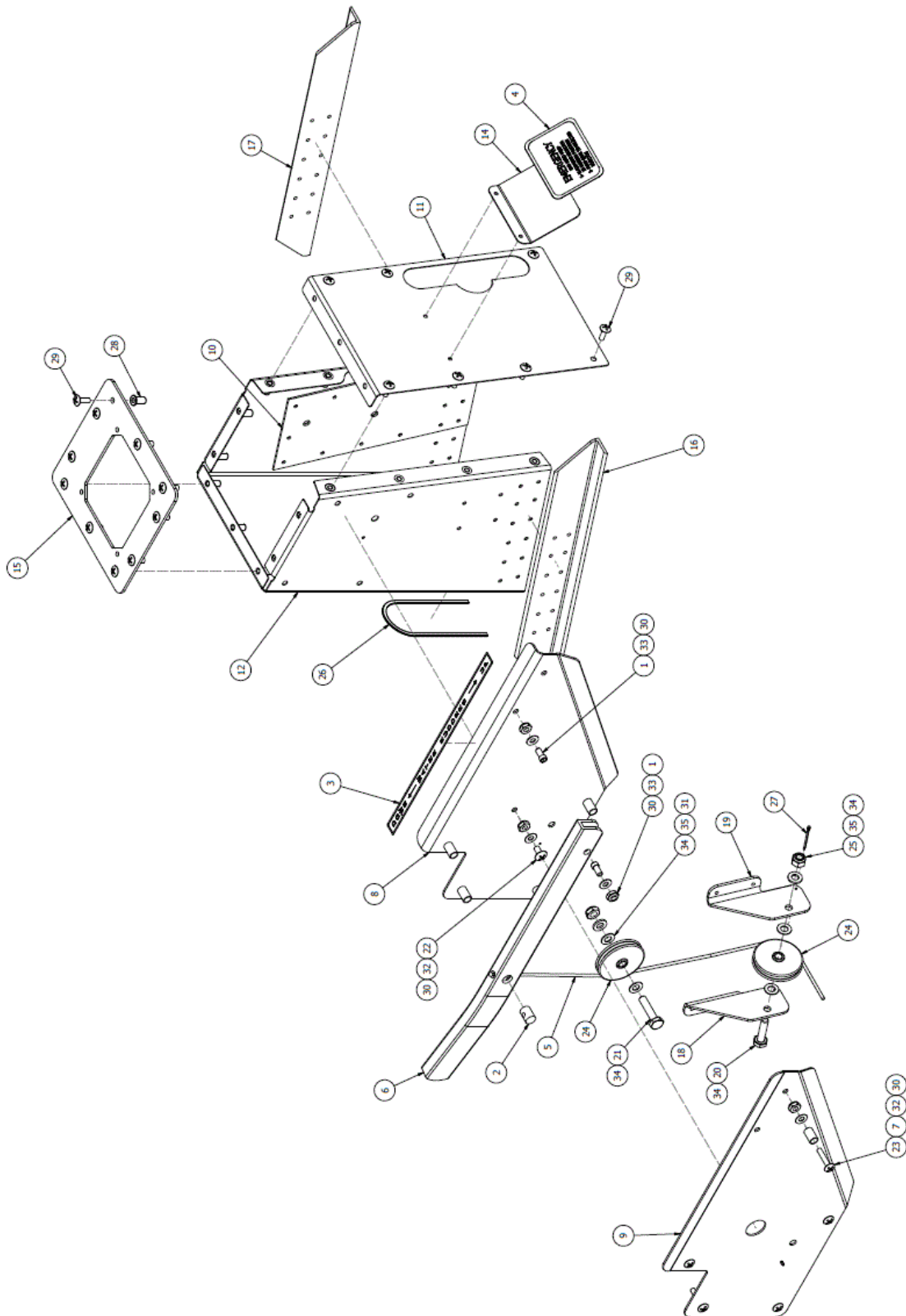


PARTS MANUAL FOR RIVETED
WIPLINE MODEL 6100 AMPHIBIAN FLOATS SERIAL NUMBERS 61500 AND UP

6A09000-157 ASSEMBLY, GEAR SELECTOR VALVE (UNIDIRECTIONAL)

| ITEM | QTY | PART NO. | PART DESCRIPTION |
|------|--------|------------------|---|
| 1 | 2 | 5073918-1431-600 | INDICATOR LAMP, 28V, RED |
| 2 | 4 | 5073918-1432-600 | INDICATOR LAMP, 28V, GRN |
| 3 | 4 | 5073918-1434-600 | INDICATOR LAMP, 28V, BLU |
| 4 | 10 | 515-0012 | SOCKET, GEAR SELECTOR LIGHTS |
| 5 | 1 | 5A3-694 | PLACARD, GEAR SELECTOR, G-1000 |
| 6 | 1 | 6A09000-080 | ASSEMBLY, VALVE, HYDRAULIC, WITH MODIFIED PLATE |
| 7 | 1 | 6A09713-001 | SPRING, HYDRAULIC CONTROL VALVE |
| 8 | 1 | 6A11000-027 | ASSEMBLY, WIRING HARNESS, SELECTOR |
| 9 | 1 | 6A11032-002 | LINK - HYDRAULIC, CONTROL VALVE |
| 10 | 1 | 6A11190-001 | FITTING, HYDRAULIC, CONTROL VALVE |
| 11 | 2 | 6A11261-005 | FITTING - HYDRAULIC, CONTROL VALVE |
| 12 | 1 | 6A11274-002 | WASHER, HYDRAULIC CONTROL SYSTEM |
| 13 | 2 | 6A11278-001 | SPACER - HYDRAULIC CONTROL VALVE |
| 14 | 1 | 6A11506-001 | ROD, HANDLE, HYD. CONTROL VALVE |
| 15 | 1 | 6A11603-002 | KNOB - HYDRAULIC CONTROL VALVE |
| 16 | 1 | 6A11704-001 | ROLLER, CONTROL ROD |
| 17 | 1 | 8A11199-006 | BLOCK, HYDRAULIC, CONTROL VALVE |
| 18 | 1 | A101SYCB | TOGGLE SWITCH, SPDT, ON |
| 19 | 3 | AN526-832R6 | SCREW, MACHINE, TRUSS HEAD |
| 20 | 1 | AN816-4D | NIPPLE, FLARED TUBE AND PIPE THREAD |
| 21 | 4 | AN816-5-4D | NIPPLE, FLARED TUBE AND PIPE THREAD |
| 22 | 1 | AN816-5D | NIPPLE, FLARED TUBE AND PIPE THREAD |
| 23 | 3.4 FT | HS105-3/32-0 | HEAT SHRINK, WHITE, 3/32" |
| 24 | 1 | MS16996-10 | CAP SCREW |
| 25 | 2 | MS16997-80 | SCREW, CAP, SOCKET HEAD |
| 26 | 2 | MS16997-88 | SCREW, CAP, SOCKET HEAD |
| 27 | 2 | MS24667-40 | SCREW, CAP, SOCKET HEAD, COUNTERSUNK |
| 28 | 1 | MS35333-39 | STAR WASHER |
| 29 | 1 | NAS1149D0616J | WASHER, 0.39 ID, 0.016 THK, ALUMINUM |
| 30 | 2 | NAS1149F0563P | WASHER, 0.328 ID, 0.063 THK, STEEL |
| 31 | 1 | NAS6203-7 | BOLT |
| 32 | 1 | RH-5-180 | RESISTOR, 28V |

6A11000-015 ASSEMBLY HYDRAULIC CONTROL CONSOLE



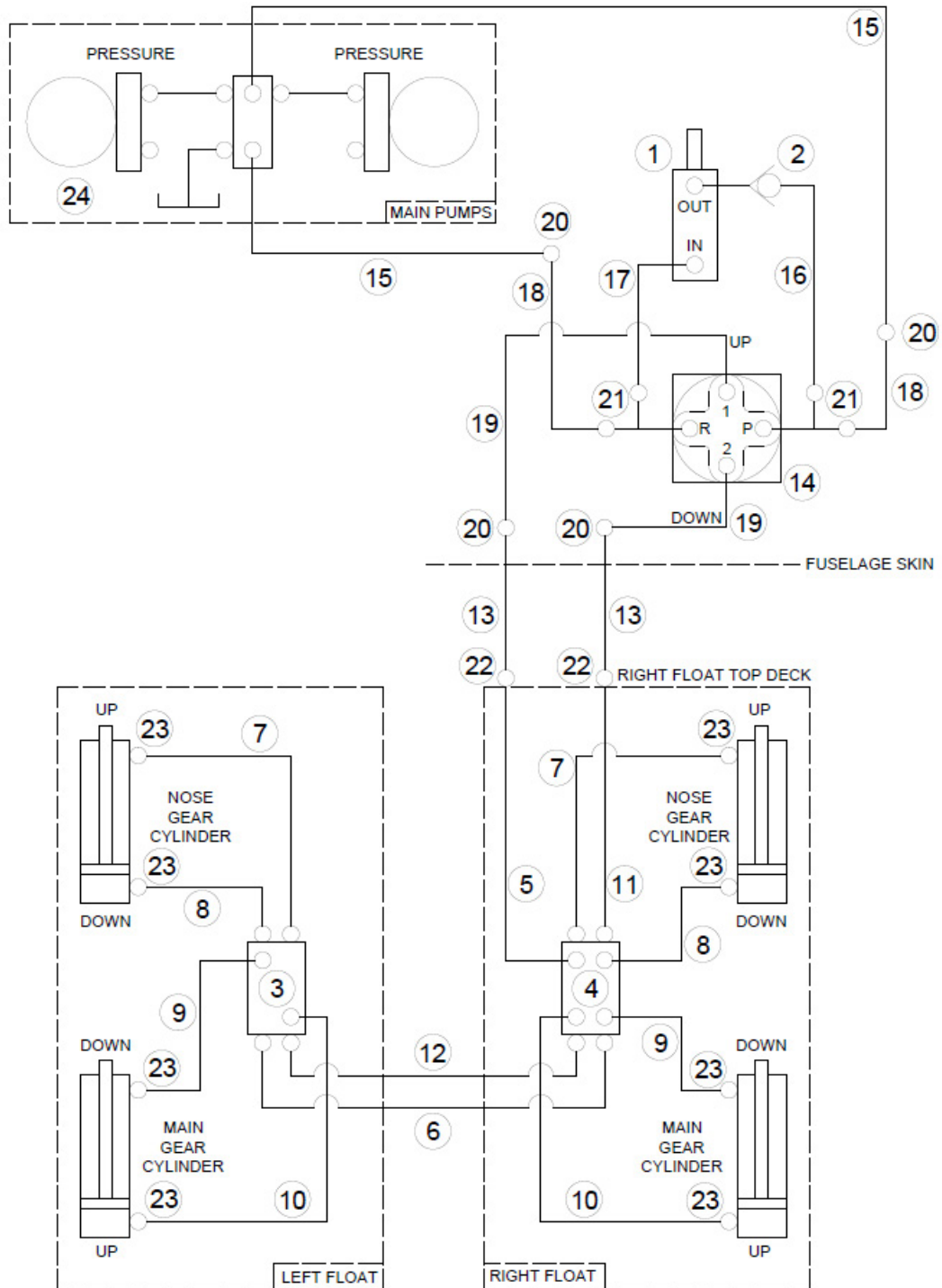
PARTS MANUAL FOR RIVETED
WIPLINE MODEL 6100 AMPHIBIAN FLOATS SERIAL NUMBERS 61500 AND UP

6A11000-015 ASSEMBLY, HYDRAULIC CONTROL CONSOLE

| ITEM | QTY | PART NO. | PART DESCRIPTION |
|------|-----|---------------|---|
| 1 | 2 | 3A08702-006 | PIVOT PIN, WATER RUDDER RETRACT HANDLE |
| 2 | 1 | 4A08506-002 | SWIVEL, RETRACT CABLE HANDLE |
| 3 | 1 | 5B3-595-2 | PLACARD, WATER RUDDER POSITION |
| 4 | 1 | 5B3-595-3 | PLACARD, EMERGENCY HYD HAND PUMP |
| 5 | 1 | 6A08000-015 | PLACARD |
| 6 | 1 | 6A08414-002 | HANDLE, WATER RUDDER, RETRACT, BEAVER |
| 7 | 5 | 6A08613-003 | SPACER, RETRACT HANDLE |
| 8 | 1 | 6A11003-024 | PANEL, RETRACT HANDLE ATTACH, RIGHT |
| 9 | 1 | 6A11003-025 | PANEL, RETRACT HANDLE ATTACH, LEFT |
| 10 | 1 | 6A11003-026 | DOUBLER, CONSOLE BODY INSIDE |
| 11 | 1 | 6A11005-084 | COVER, CONSOLE, BACK |
| 12 | 1 | 6A11005-085 | BODY, HYDRAULIC GEAR CONSOLE |
| 13 | 1 | 6A11005-085B | BLANK, BODY, HYDRAULIC GEAR CONSOLE |
| 14 | 1 | 6A11005-235 | BRACKET, PLACARD, EMER. HAND PUMP |
| 15 | 1 | 6A11156-024 | COVER, TOP, HYDRAULIC GEAR CONSOLE |
| 16 | 1 | 6A11339-033 | ANGLE, CONSOLE ATTACH, LH |
| 17 | 1 | 6A11339-034 | ANGLE, CONSOLE ATTACH, RH |
| 18 | 1 | 6A11339-035 | BRACKET, PULLEY, CONSOLE, LH |
| 19 | 1 | 6A11339-036 | BRACKET, PULLEY, CONSOLE RH |
| 20 | 1 | AN4-10A | BOLT, 1/4-28, 0.5625 GRIP, UNDRILLED, STEEL |
| 21 | 1 | AN4-11A | BOLT, 1/4-28, 0.6875 GRIP, UNDRILLED, STEEL |
| 22 | 1 | AN526-1032R6 | SCREW, MACHINE, TRUSS HEAD |
| 23 | 5 | AN526C1032R14 | SCREW, MACHINE, TRUSS HEAD |
| 24 | 2 | MS20219-2 | PULLEY |
| 25 | 1 | MS21044N4 | NUT, LOCKING, REGULAR HEIGHT, 1/4-28 UNF |
| 26 | 1 | MS21266-1N | GROMMET, EDGING |
| 27 | 2 | MS24665-136 | COTTER PIN |
| 28 | 17 | MS27130A13 | RIVENUT |
| 29 | 17 | MS35214-42 | SCREW, MACHINE, TRUSS HEAD |
| 30 | 8 | NAS679-A3W | KAYNAR NUT |
| 31 | 1 | NAS679-A4W | KAYNAR NUT |
| 32 | 6 | NAS1149D0316J | WASHER, 0.203 ID, 0.016 THK, ALUMINUM |
| 33 | 2 | NAS1149F0332P | WASHER, 0.203 ID, 0.032 THK, STEEL |
| 34 | 4 | NAS1149F0432P | WASHER, 0.265 ID, 0.032 THK, Steel |
| 35 | 2 | NAS1149F0463P | WASHER, 0.265 ID, 0.063 THK, STEEL |

HYDRAULIC SYSTEM SCHEMATIC - UNIDIRECTIONAL PUMP

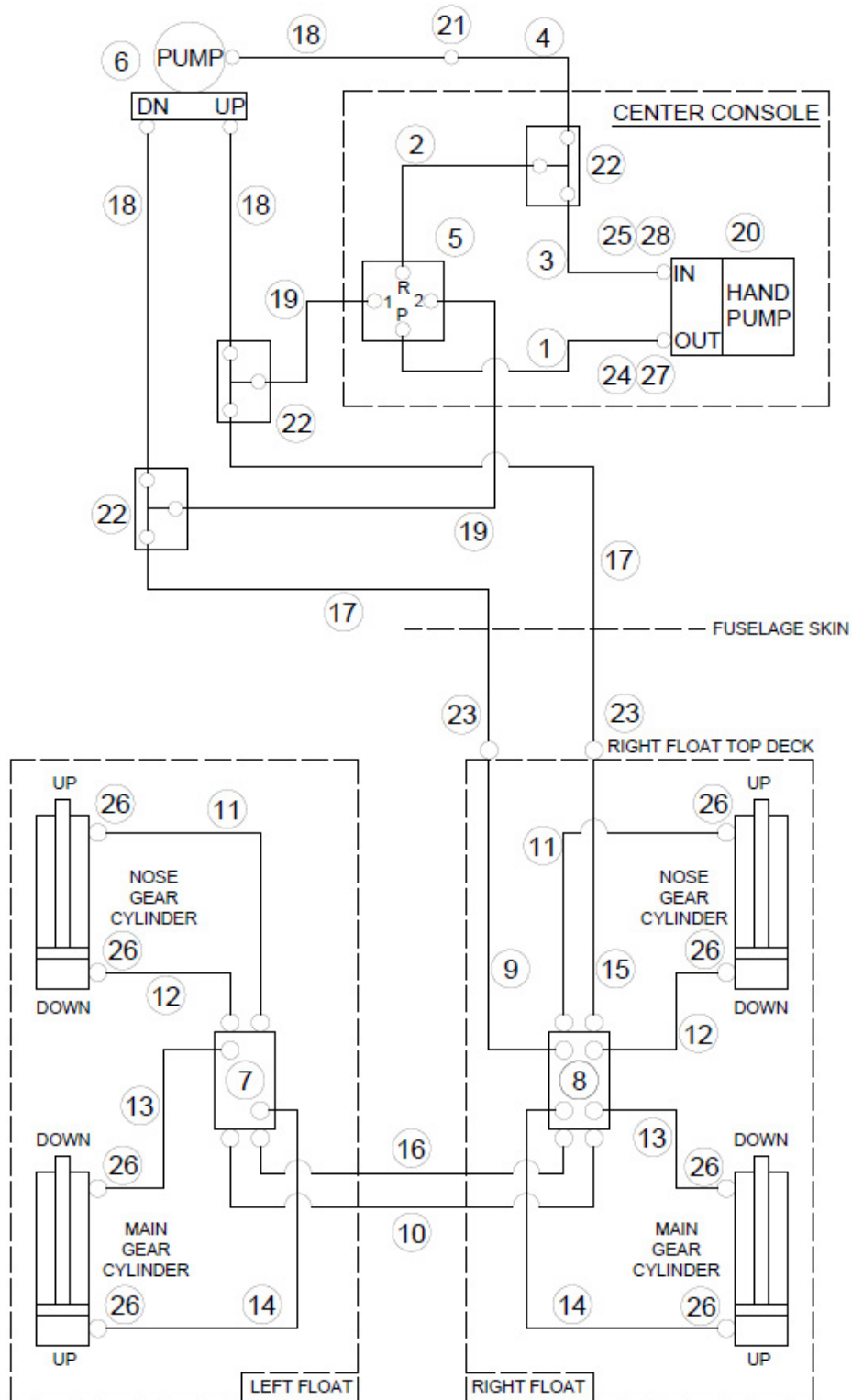
POST SERVICE LETTER 214 & 215



**HYDRAULIC SYSTEM SCHEMATIC - UNIDIRECTIONAL PUMP
 POST SERVICE LETTER 214 & 215**

| ITEM | QTY | PART NO. | PART DESCRIPTION |
|------|-----|----------------------------------|---|
| 1 | 1 | 1280114-2 | HAND PUMP |
| 2 | 1 | 6A09000-024 | ASSEMBLY, HAND PUMP CHECK VALVE |
| 3 | 1 | 6A09000-027 | MANIFOLD ASSY. LT. |
| 4 | 2 | 6A09000-028 | MANIFOLD ASSY. RT. |
| 5 | 1 | 6A09000-054 | ASSEMBLY, HYD. HOSE, MANIFOLD TO RIGHT FLOAT DECK (13.5") |
| 6 | 1 | 6A09000-058 | ASSEMBLY, HYD. HOSE, SPREADER BAR, GEAR DN (126") |
| 7 | 2 | 6A09000-064 | ASSEMBLY, HYD. HOSE, MANIFOLD TO NOSE GEAR UP (76") |
| 8 | 2 | 6A09000-065 | ASSEMBLY, HYD. HOSE, MANIFOLD TO NOSE GEAR DN (54") |
| 9 | 2 | 6A09000-066 | ASSEMBLY, HYD. HOSE, MANIFOLD TO MAIN GEAR DN (82") |
| 10 | 2 | 6A09000-067 | ASSEMBLY, HYD. HOSE, MANIFOLD TO MAIN GEAR UP (115") |
| 11 | 1 | 6A09000-068 | ASSEMBLY, HYD. HOSE, MANIFOLD TO RIGHT FLOAT DECK (15") |
| 12 | 1 | 6A09000-069 | ASSEMBLY, HYD. HOSE, SPREADER BAR, GEAR UP (125") |
| 13 | 2 | 6A09000-070 | ASSEMBLY, HYD. HOSE, RIGHT FLOAT DECK TO FUSELAGE (96") |
| 14 | 1 | 6A09000-080 | SELECTOR VALVE |
| 15 | 2 | 6A09000-097 | ASSEMBLY, HYD. HOSE, PUMP TO GEAR SELECTOR (216") |
| 16 | 1 | 6A09000-098 | ASSEMBLY, HYD. HOSE, HAND PUMP OUT TO GEAR SELECTOR (6.63") |
| 17 | 1 | 6A09000-099 | ASSEMBLY, HYD. HOSE, HAND PUMP IN TO GEAR SELECTOR (6") |
| 18 | 2 | 6A09000-100 | ASSEMBLY, HYD. HOSE, GEAR SELECTOR TO UNION (36") |
| 19 | 2 | 6A09000-101 | ASSEMBLY, HYD. HOSE, GEAR SELECTOR TO UNION (36") |
| 20 | 4 | AN815-5D | FITTING, UNION, FLARED TUBING |
| 21 | 4 | AN816-5-4D | FITTING, FLARED TUBE AND PIPE THREAD |
| 22 | 2 | AN833-5D | FITTING, ELBOW, 90°, BULKHEAD |
| 23 | 8 | MS20822-4D | FITTING, ELBOW, 90° |
| 24 | 1 | YBZS- D0.63W2T100K/ UVZOT2 | HYDRAULIC PUMP, 24VDC |
| | A/R | N/A | FITTING END (NOT SHOWN) |
| | | 63-190600-4 | -4 STRAIGHT FITTING |
| | | 63-190600-5 | -5 STRAIGHT FITTING |
| | | 190773-4 | -4 45° FITTING |
| | | 190773-5 | -5 45° FITTING |
| | | 190772-4 | -4 90° FITTING |
| | | 190772-5 | -5 90° FITTING |

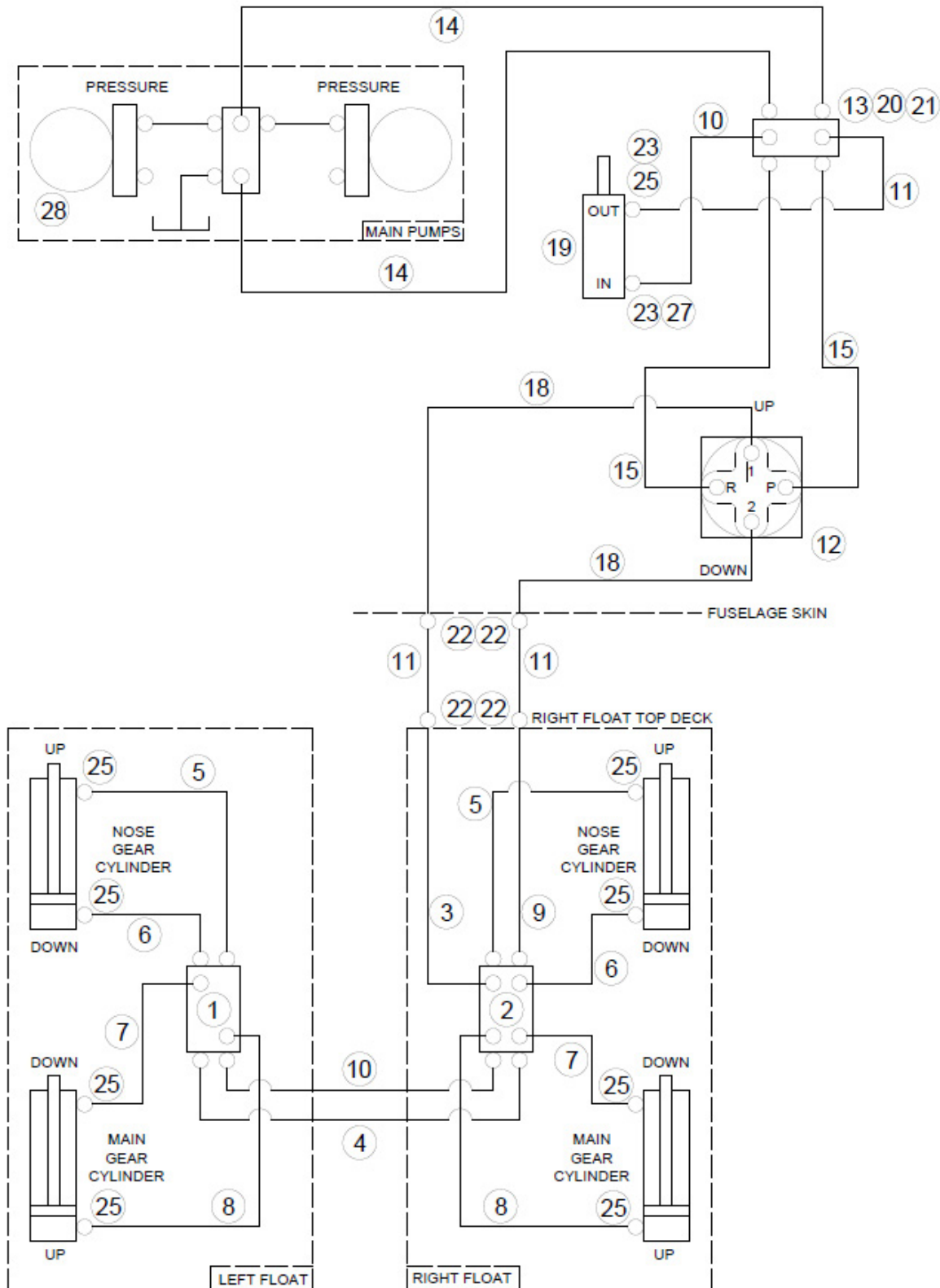
HYDRAULIC SYSTEM SCHEMATIC - BIDIRECTIONAL PUMP DHC-2 POST SERVICE LETTER 214



**HYDRAULIC SYSTEM SCHEMATIC - BIDIRECTIONAL PUMP DHC-2
 POST SERVICE LETTER 214**

| ITEM | QTY | PART NO. | PART DESCRIPTION |
|------|-----|-------------|---|
| 1 | 1 | 1009752-01 | ASSEMBLY, HYD. HOSE, HAND PUMP TO SELECTOR VALVE (12") |
| 2 | 1 | 1009752-02 | ASSEMBLY, HYD. HOSE, SELECTOR VALVE TO CONSOLE TEE (7") |
| 3 | 1 | 1009752-03 | ASSEMBLY, HYD. HOSE, HAND PUMP TO CONSOLE TEE (7") |
| 4 | 1 | 1009752-04 | ASSEMBLY, HYD. HOSE, CONSOLE TEE TO AIRCRAFT TEE (36") |
| 5 | 1 | 51861S6HO3P | HYDRAULIC SELECTOR VALVE |
| 6 | 1 | 649680 | HYDRAULIC PUMP, 24V, BI-DIRECTIONAL |
| 7 | 1 | 6A09000-027 | MANIFOLD ASSY. LT. |
| 8 | 1 | 6A09000-028 | MANIFOLD ASSY. RT. |
| 9 | 1 | 6A09000-054 | ASSEMBLY, HYD. HOSE, MANIFOLD TO RIGHT FLOAT DECK (13.5") |
| 10 | 1 | 6A09000-058 | ASSEMBLY, HYD. HOSE, SPREADER BAR, GEAR DN, (126") |
| 11 | 2 | 6A09000-064 | ASSEMBLY, HYD. HOSE, MANIFOLD TO NOSE GEAR UP (76") |
| 12 | 2 | 6A09000-065 | ASSEMBLY, HYD. HOSE, MANIFOLD TO NOSE GEAR DN (54") |
| 13 | 2 | 6A09000-066 | ASSEMBLY, HYD. HOSE, MANIFOLD TO MAIN GEAR DN (82") |
| 14 | 2 | 6A09000-067 | ASSEMBLY, HYD. HOSE, MANIFOLD TO MAIN GEAR UP (115") |
| 15 | 1 | 6A09000-068 | ASSEMBLY, HYD. HOSE, MANIFOLD TO RIGHT FLOAT DECK (15") |
| 16 | 1 | 6A09000-069 | ASSEMBLY, HYD. HOSE, SPREADER BAR, GEAR UP (125") |
| 17 | 2 | 6A09000-070 | ASSEMBLY, HYD. HOSE, TOP DECK TO FUSELAGE (96") |
| 18 | 3 | 6A09000-097 | ASSEMBLY, HYD. HOSE, PUMP TO HAND PUMP (216") |
| 19 | 2 | 6A09000-100 | ASSEMBLY, HYD. HOSE, HAND PUMP SELECTOR TO FITTING (36") |
| 20 | 1 | 914-8D-27 | HYDRAULIC HAND PUMP |
| 21 | 1 | AN815-5D | UNION, FLARED TUBE |
| 22 | 3 | AN824-5D | FITTING, TEE |
| 23 | 2 | AN833-5D | FITTING, ELBOW, 90°, BULKHEAD |
| 24 | 1 | AN919-7D | FITTING, UNION |
| 25 | 1 | AN919-11D | FITTING, UNION |
| 26 | 8 | MS20822-4D | FITTING, ELBOW, 90° |
| 27 | 1 | MS28775-013 | O-RING |
| 28 | 1 | MS28775-016 | O-RING |
| 29 | A/R | N/A | FITTING END (NOT SHOWN) |
| | | 63-190600-4 | -4 STRAIGHT FITTING |
| | | 63-190600-5 | -5 STRAIGHT FITTING |
| | | 190773-4 | -4 45° FITTING |
| | | 190773-5 | -5 45° FITTING |
| | | 190772-4 | -4 90° FITTING |
| | | 190772-5 | -5 90° FITTING |

HYDRAULIC SYSTEM SCHEMATIC - UNIDIRECTIONAL PUMP PC-6 POST SERVICE LETTER 214 & 215

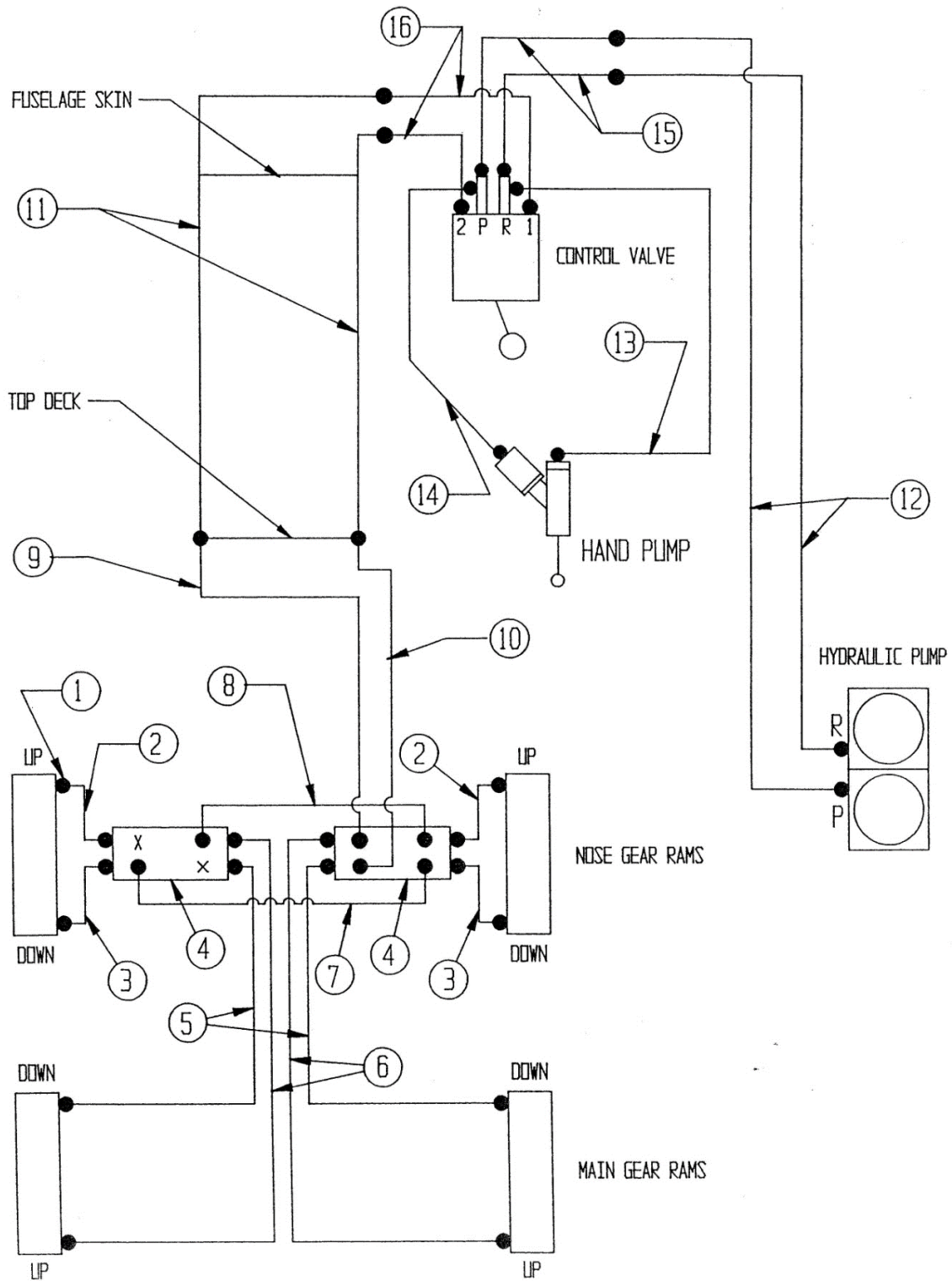


**HYDRAULIC SYSTEM SCHEMATIC - UNIDIRECTIONAL PUMP PC-6
POST SERVICE LETTER 214 & 215**

| ITEM | QTY | PART NO. | PART DESCRIPTION |
|------|-----|----------------------------------|--|
| 1 | 1 | 6A09000-027 | MANIFOLD ASSY. LT. |
| 2 | 1 | 6A09000-028 | MANIFOLD ASSY. RT. |
| 3 | 1 | 6A09000-054 | ASSEMBLY, HYD. HOSE, MANIFOLD TO RIGHT FLOAT DECK (13.5") |
| 4 | 1 | 6A09000-058 | ASSEMBLY, HYD. HOSE, SPREADER BAR, GEAR DN (126") |
| 5 | 2 | 6A09000-064 | ASSEMBLY, HYD. HOSE, MANIFOLD TO NOSE GEAR UP (76") |
| 6 | 2 | 6A09000-065 | ASSEMBLY, HYD. HOSE, MANIFOLD TO NOSE GEAR DN (54") |
| 7 | 2 | 6A09000-066 | ASSEMBLY, HYD. HOSE, MANIFOLD TO MAIN GEAR DN (82") |
| 8 | 2 | 6A09000-067 | ASSEMBLY, HYD. HOSE, MANIFOLD TO MAIN GEAR UP (115") |
| 9 | 1 | 6A09000-068 | ASSEMBLY, HYD. HOSE, MANIFOLD TO RIGHT FLOAT DECK (15") |
| 10 | 1 | 6A09000-069 | ASSEMBLY, HYD. HOSE, SPREADER BAR, GEAR UP (125") |
| 11 | 2 | 6A09000-070 | ASSEMBLY, HYD. HOSE, TOP DECK TO FUSELAGE (96") |
| 12 | 1 | 6A09000-080 | SELECTOR VALVE |
| 13 | 1 | 6A09207-001 | MANIFOLD |
| 14 | 2 | 6P09000-167 | ASSEMBLY, HYD. HOSE, PUMP TO MANIFOLD (216") |
| 15 | 2 | 6P09000-168 | ASSEMBLY, HYD. HOSE, SELECTOR TO MANIFOLD (48") |
| 16 | 1 | 6P09000-169 | ASSEMBLY, HYD. HOSE, HAND PUMP TO MANIFOLD (21") |
| 17 | 1 | 6P09000-170 | ASSEMBLY, HYD. HOSE, HAND PUMP TO MANIFOLD (17.5") |
| 18 | 2 | 6P09000-171 | ASSEMBLY, HYD. HOSE, SELECTOR TO BLKHD FITTING (51") |
| 19 | 1 | 914-8D-27 | HYDRAULIC HAND PUMP |
| 20 | 4 | AN816-5D | NIPPLE ADAPTOR, STRAIGHT |
| 21 | 2 | AN816-5-4D | NIPPLE ADAPTOR, STRAIGHT |
| 22 | 4 | AN833-5D | FITTING, ELBOW, 90°, BULKHEAD |
| 23 | 1 | AN919-7D | FITTING, UNION |
| 24 | 1 | AN919-11D | FITTING, UNION |
| 25 | 8 | MS20822-4D | FITTING, ELBOW, 90° |
| 26 | 1 | MS28775-013 | O-RING |
| 27 | 1 | MS28775-016 | O-RING |
| 28 | 2 | YBZS- D0.63W2T100K/ UVZOT2 | HYDRAULIC PUMP, 24VDC |
| 29 | A/R | N/A | FITTING END (NOT SHOWN) |
| | | 63-190600-4 | -4 STRAIGHT FITTING |
| | | 63-190600-5 | -5 STRAIGHT FITTING |
| | | 190773-4 | -4 45° FITTING |
| | | 190773-5 | -5 45° FITTING |
| | | 190772-4 | -4 90° FITTING |
| | | 190772-5 | -5 90° FITTING |

HYDRAULIC SYSTEM SCHEMATIC, LEFT AND RIGHT FLOATS

PRE SERVICE LETTER 214 & 215

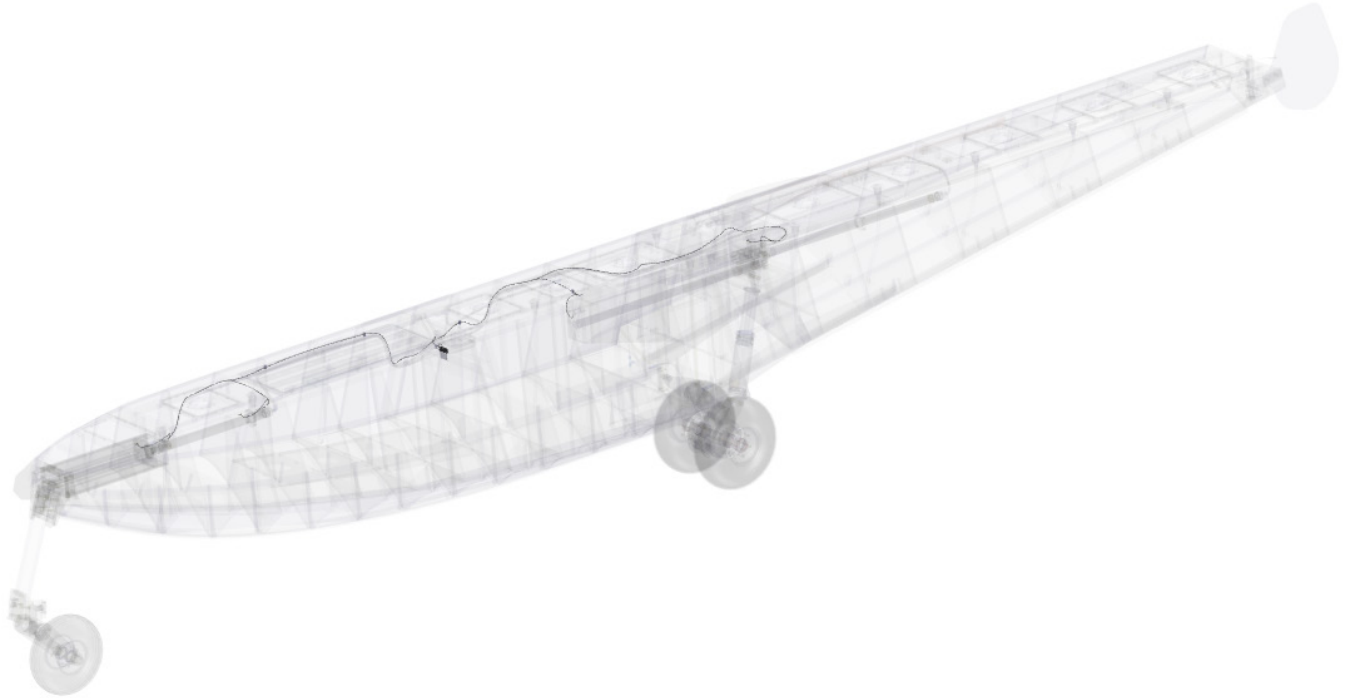


**HYDRAULIC SYSTEM SCHEMATIC, LEFT AND RIGHT FLOATS
 PRE SERVICE LETTER 214 & 215**

| ITEM | QTY | PART NO. | PART DESCRIPTION |
|------|-----|--------------|---|
| 1 | 8 | MS20822-4D | ELBOW |
| 2 | 2 | 6A09000-064 | LINE ASSEMBLY (76") MAN. TO N. GEAR UP |
| 3 | 2 | 6A09000-065 | LINE ASSEMBLY (54") MAN. TO N. GEAR DN. |
| 4 | 2 | 6A09000-028 | ASSEMBLY MANIFOLD |
| 5 | 2 | 6A09000-066 | LINE ASSEMBLY (82") MAN. TO M. GEAR DN. |
| 6 | 2 | 6A09000-067 | LINE ASSEMBLY (115") MAN. TO M. GEAR UP |
| 7 | 2 | 6A09000-058 | LINE ASSEMBLY SPR. BAR (126") |
| 8 | 1 | 6A09000-069 | LINE ASSEMBLY SPR. BAR (125") |
| 9 | 4 | 6A09000-054 | LINE ASSEMBLY MAN. TO FLT. DECK (13.5") |
| 10 | 1 | 6A09000-068 | LINE ASSEMBLY MAN. TO FLT. DECK (15") |
| 11 | 2 | 6A09000-070 | LINE ASSEMBLY TOP DECK TO FUSE. (96") |
| 12 | 2 | 6A09000-097 | LINE ASSEMBLY HYD. PUMP TO SELECTOR. (216") |
| 13 | 1 | 6A09000-099 | LINE ASSEMBLY HAND PUMP TO SELECTOR (6") |
| 14 | 1 | 6A09000-098 | LINE ASSEMBLY HAND PUMP TO SELECTOR (6.63") |
| 15 | 2 | 6A09000-100 | LINE ASSEMBLY SELECTOR TO FUSE. (36") |
| 16 | 2 | 6A09000-101 | LINE ASSEMBLY SELECTOR TO FUSE. (36") |
| 17 | A/R | N/A | FITTINGS END (NOT SHOWN) |
| | | 63-190-600-4 | ¼ STRAIGHT FITTING |
| | | 63-190-600-5 | 5/16 STRAIGHT FITTING |
| | | 63-190-773-4 | ¼ 450 FITTING |
| | | 63-190-773-5 | 5/16 450 FITTING |
| | | 63-190-772-4 | ¼ 900 FITTING |
| | | 63-190-772-5 | 5/16 900 FITTING |

THIS PAGE INTENTIONALLY LEFT BLANK

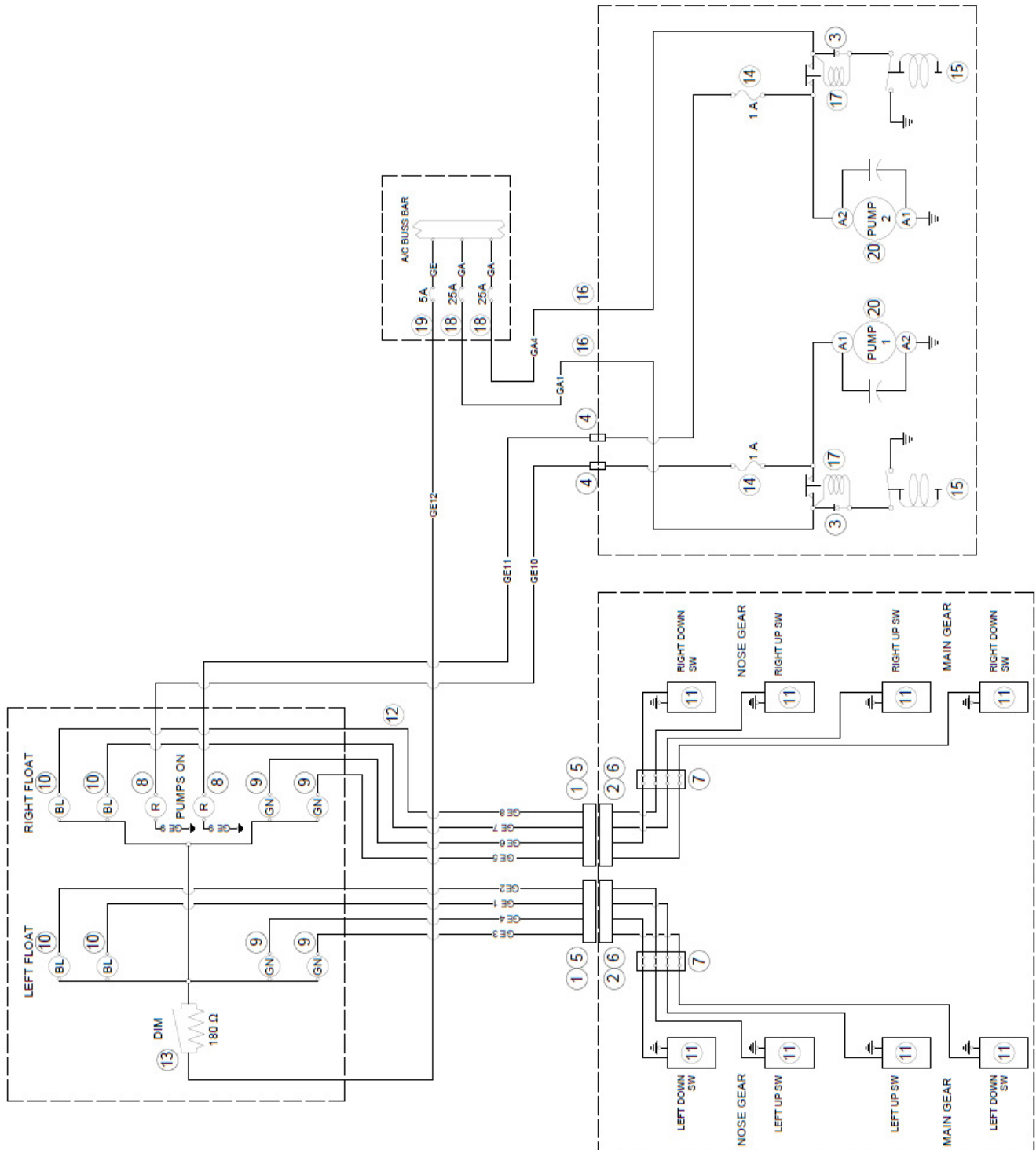
SECTION 11 ELECTRICAL SYSTEM



CONTENTS

| | |
|--|-----|
| ELECTRICAL SCHEMATIC - UNIDIRECTIONAL DHC-2 & PC-6 POST SERVICE LETTER 214 & 215 | 194 |
| ELECTRICAL SCHEMATIC - BIDIRECTIONAL PUMP DHC-2 POST SERVICE LETTER 214..... | 196 |
| ELECTRICAL SYSTEM SCHEMATIC & COMPONENTS, LEFT AND RIGHT FLOAT PRE SERVICE LETTER 214 & 215..... | 198 |

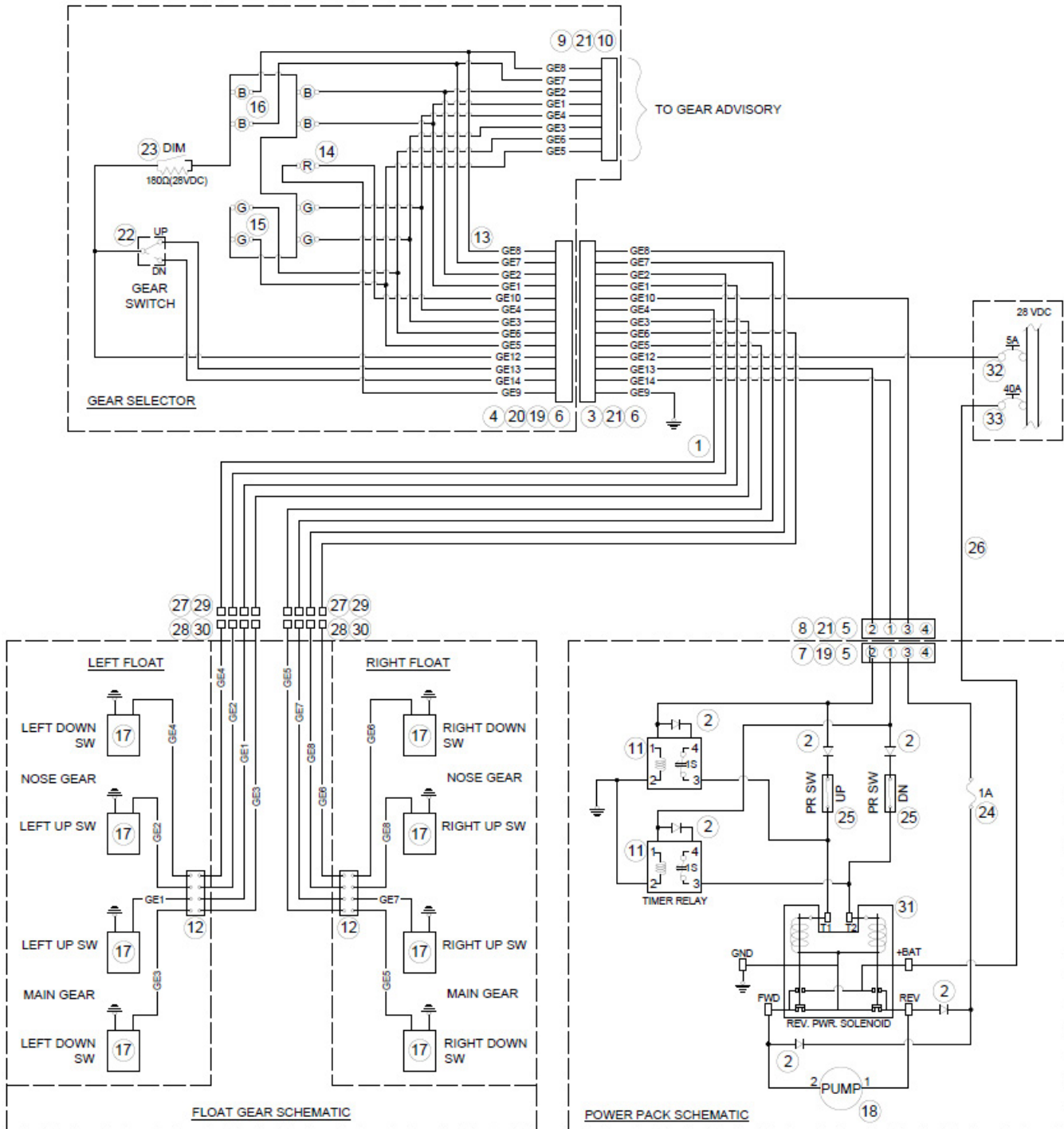
ELECTRICAL SCHEMATIC - UNIDIRECTIONAL PUMP DHC-2 & PC-6 POST SERVICE LETTER 214 & 215



**ELECTRICAL SCHEMATIC - UNIDIRECTIONAL PUMP DHC-2 & PC-6
 POST SERVICE LETTER 214 & 215**

| ITEM | QTY | PART NO. | PART DESCRIPTION |
|------|-----|----------------------------------|---------------------------------|
| 1 | 2 | 1-480702-0 | PLUG, 4 POSITION |
| 2 | 2 | 1-480703-0 | RECEPTACLE, 4 POSITION |
| 3 | 2 | 1N4004 | DIODE, 400V, 1 AMP |
| 4 | 2 | 320559 | CRIMP TERMINAL, BUTT, 22-16 AWG |
| 5 | 8 | 350689-1 | SOCKET |
| 6 | 8 | 350690-1 | PIN |
| 7 | 2 | 4-140 | TERMINAL BLOCK, 4 LUG |
| 8 | 2 | 5073918-1431-600 | LAMP, RED, 24V |
| 9 | 4 | 5073918-1432-600 | LAMP, GREEN, 24V |
| 10 | 4 | 5073918-1434-600 | LAMP, BLUE, 24V |
| 11 | 8 | 5801 | PROXIMITY SWITCH |
| 12 | 1 | 6A11000-027 | WIRE HARNESS |
| 13 | 1 | A101SYCB | SWITCH, DIMMER |
| 14 | 2 | AGC-1 | FUSE, 1 AMP |
| 15 | 2 | GPP1250-40 | PRESSURE SWITCH |
| 16 | A/R | MIL-W-22759-16-12-9 | WIRE, 12 AWG |
| 17 | 2 | P52-0035-1 | STARTER SOLENOID, 24V |
| 18 | 2 | W23-X1A1G-25 | CIRCUIT BREAKER, 25 AMP |
| 19 | 1 | W23-X1A1G-5 | CIRCUIT BREAKER, 5 AMP |
| 20 | 1 | YBZS- D0.63W2T100K/ UVZOT2 | HYDRAULIC PUMP |

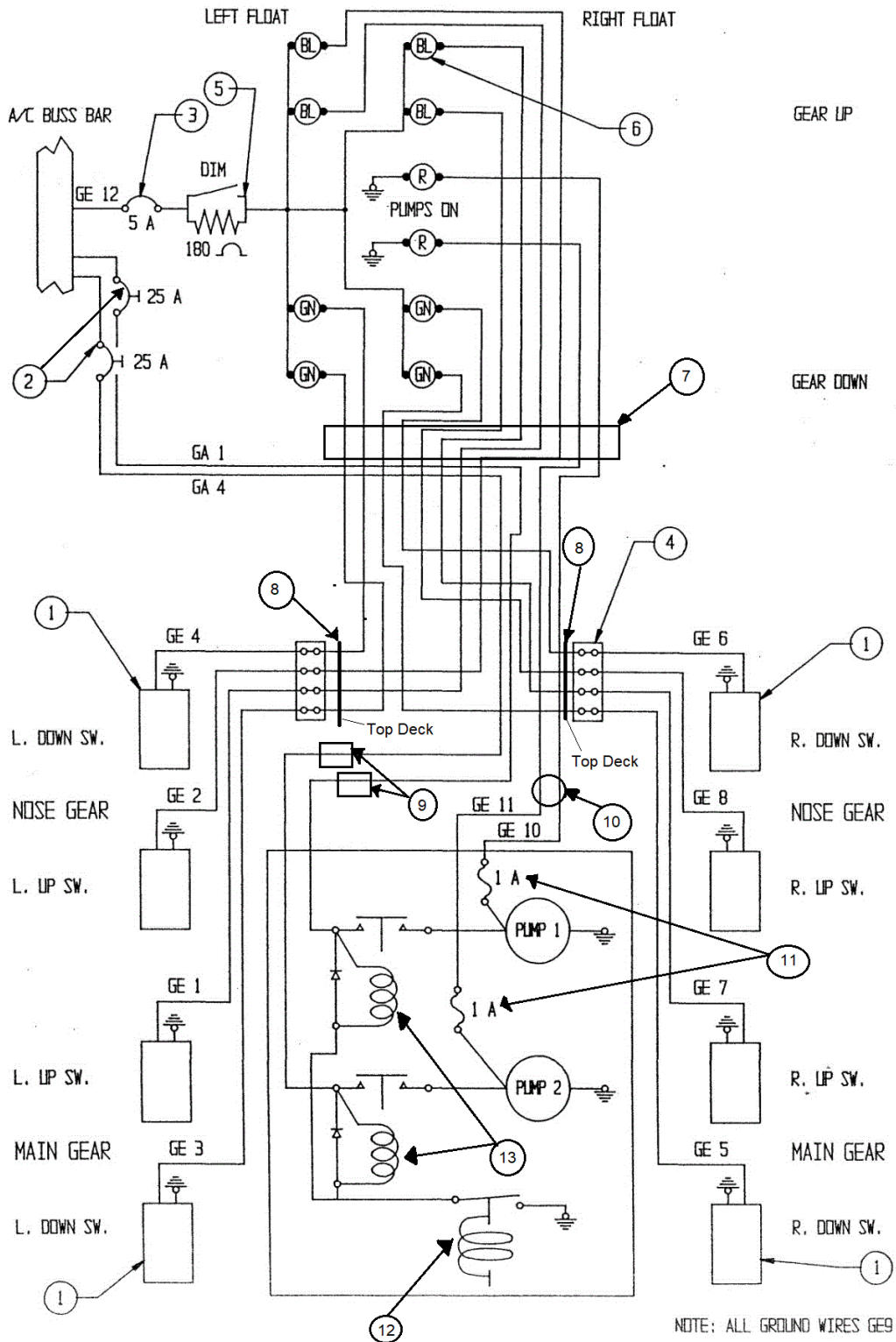
ELECTRICAL SCHEMATIC - BIDIRECTIONAL PUMP DHC-2 POST SERVICE LETTER 214



**ELECTRICAL SCHEMATIC - BIDIRECTIONAL PUMP DHC-2
 POST SERVICE LETTER 214**

| ITEM | QTY | PART NO. | PART DESCRIPTION |
|------|-------|---------------------|--|
| 1 | 1 | 1005433 | WIRE HARNESS |
| 2 | 6 | 1N4004 | DIODE, 400V, 1 AMP |
| 3 | 1 | 206043-3 | PLUG, FEMALE, CPC, 14 PIN |
| 4 | 1 | 206044-1 | PLUG, MALE, CPC, 14 PIN |
| 5 | 2 | 206062-3 | CLAMP, CABLE, CPC SIZE 11 |
| 6 | 2 | 206070-8 | CLAMP, CABLE, CPC SIZE 17 |
| 7 | 1 | 206429-1 | PLUG, MALE, CPC, 4 PIN |
| 8 | 1 | 206430-2 | PLUG, FEMALE, CPC, 4 PIN |
| 9 | 1 | 206708-1 | PLUG, FEMALE, CPC, 9 PIN |
| 10 | 1 | 206966-7 | CLAMP, CABLE, CPC SIZE 13 |
| 11 | 2 | 24DC1XC | TIMER RELAY, 24 VDC |
| 12 | 2 | 4-140 | TERMINAL BLOCK, 4 LUG |
| 13 | 1 | 4A11000-008 | WIRE HARNESS |
| 14 | 1 | 507-3918-1431-600 | INDICATOR LAMP, 28V, RED |
| 15 | 4 | 507-3918-1432-600 | INDICATOR LAMP, 28V, GREEN |
| 16 | 4 | 507-3918-1434-600 | INDICATOR LAMP, 28V, BLUE |
| 17 | 8 | 5801 | PROXIMITY SWITCH |
| 18 | 1 | 649680 | HYDRAULIC PUMP, 24 VDC, BI-DIRECTIONAL |
| 19 | 11 | 66099-4 | PIN, MALE, CRIMP |
| 20 | 6 | 66103-4 | PIN, MALE, CRIMP |
| 21 | 25 | 66105-4 | SOCKET, FEMALE, CRIMP |
| 22 | 1 | 8857K44 | TOGGLE SWITCH |
| 23 | 1 | A101SYCB | TOGGLE SWITCH, SPDT, ON-ON |
| 24 | 1 | AGC-1 | FUSE, 1 AMP |
| 25 | 2 | GPP1250-40 | PRESSURE SWITCH |
| 26 | 30 FT | MIL-W-22759-16-10-9 | WIRE, 10 AWG |
| 27 | 8 | S1635-1 | PIN |
| 28 | 8 | S1636-1 | SOCKET |
| 29 | 8 | S1637-1 | HOUSING |
| 30 | 8 | S1637-2 | HOUSING |
| 31 | 1 | T24450-24 | SOLENOID, REVERSING, 24VDC |
| 32 | 1 | W23-X1A1G-5 | CIRCUIT BREAKER, 5 AMP |
| 33 | 1 | W23-X1A1G-40 | CIRCUIT BREAKER, 40 AMP |

ELECTRICAL SYSTEM SCHEMATIC & COMPONENTS, LEFT AND RIGHT FLOAT PRE SERVICE LETTER 214 & 215

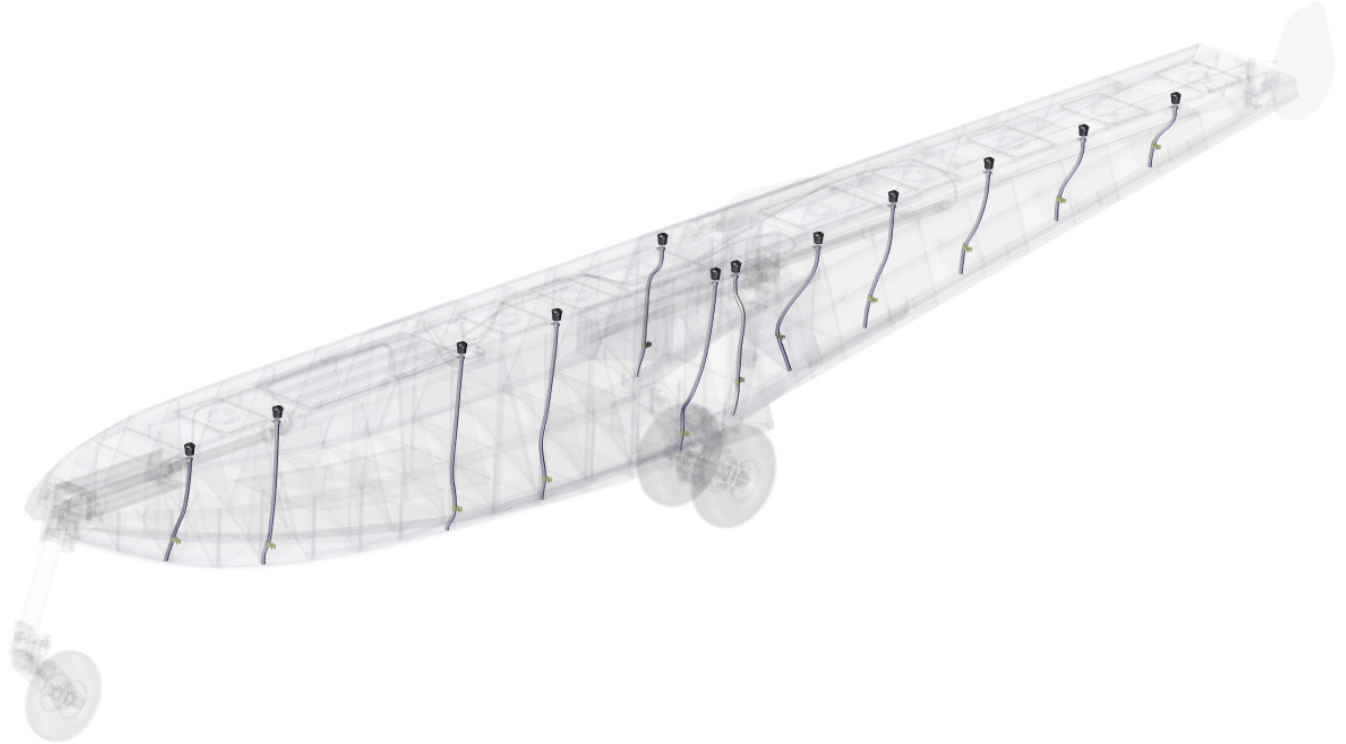


**ELECTRICAL SYSTEM COMPONENTS, LEFT AND RIGHT FLOAT
 PRE SERVICE LETTER 214 & 215**

| ITEM | QTY | PART NO. | PART DESCRIPTION |
|------|-----|------------------|---|
| 1 | 8 | 5801 | PROXIMITY SWITCH |
| 2 | 2 | 109-240-101 | CIRCUIT BREAKER (25 AMP) |
| 3 | 1 | 435-205-105 | CIRCUIT BREAKER (5 AMP) |
| 4 | 2 | 1-480702-0 | PLUG (4 POSITION) |
| | 2 | 1-480703-0 | RECEPTICAL |
| | 8 | 350689-1 | SOCKET |
| | 8 | 350690-1 | PIN |
| 5 | 1 | A101SYCB | SWITCH DIMMER |
| 6 | 4 | 5073918-1434-600 | LAMP BLUE (28V) |
| | 4 | 5073918-1432-600 | LAMP GREEN (28V) |
| | 2 | 5073918-1431-600 | LAMP RED (28V) |
| 7 | 1 | 1005433 | HARNESS ASSEMBLY, MAIN PC-6 |
| 8 | 1 | 6A10000-005 | ASSEMBLY, WIRE HARNESS, RIGHT FLOAT 13 FT. |
| | 1 | 6A10000-004 | ASSEMBLY, WIRE HARNESS, LEFT FLOAT 10 FT. |
| 9 | 1 | 03-09-1022 | CONNECTER PLUG, FEMALE, 2 CONNECTERS 3/16" DIA, 1 CONNECTOR 9/16" DIA |
| 10 | 1 | 206062-3 | CPC CABLE CLAMP, SIZE 11 |
| | 1 | 206429-1 | CPC PLUG, MALE CPC #1, 4 Pin |
| 11 | 1 | 6A09000-129 | FUSE HOLDER ASSEMBLY, LT. |
| | 1 | 6A09000-128 | FUSE HOLDER ASSEMBLY, RT. |
| 12 | 1 | 3A10000-002 | SOLENOID DIODE ASSEMBLY |
| 13 | 2 | P52-0035-1 | CONTACTOR ASSEMBLY, 24V (STARTER) |

THIS PAGE INTENTIONALLY LEFT BLANK

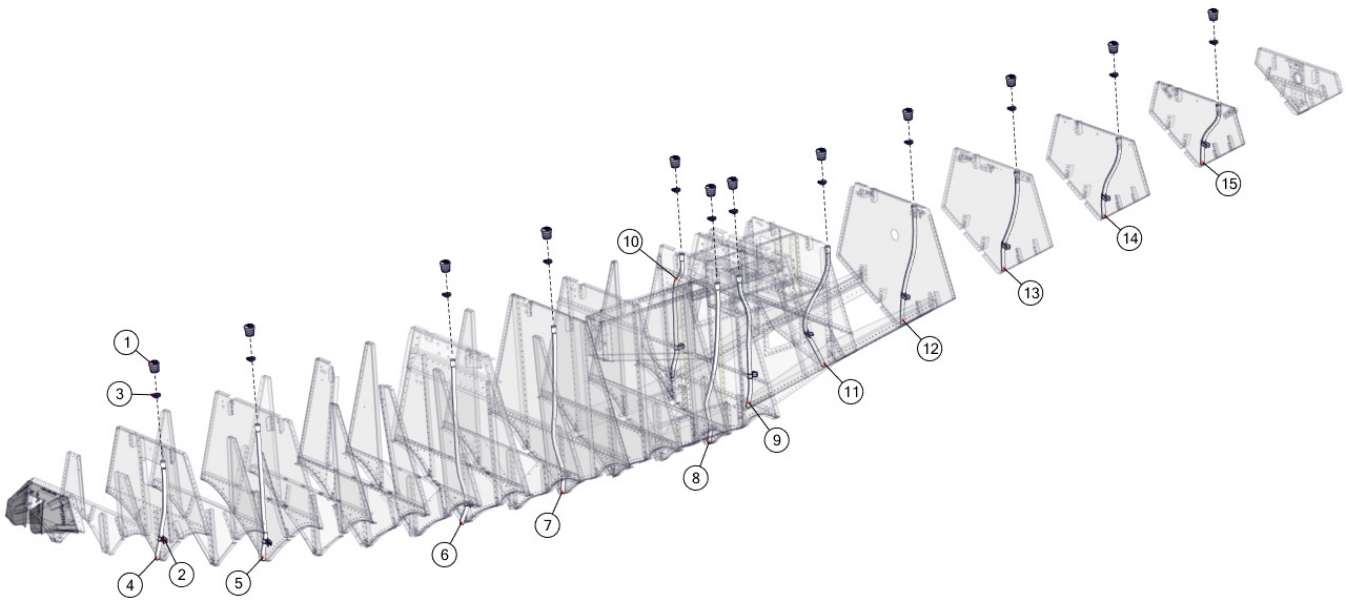
SECTION 12 PUMP OUT SYSTEM



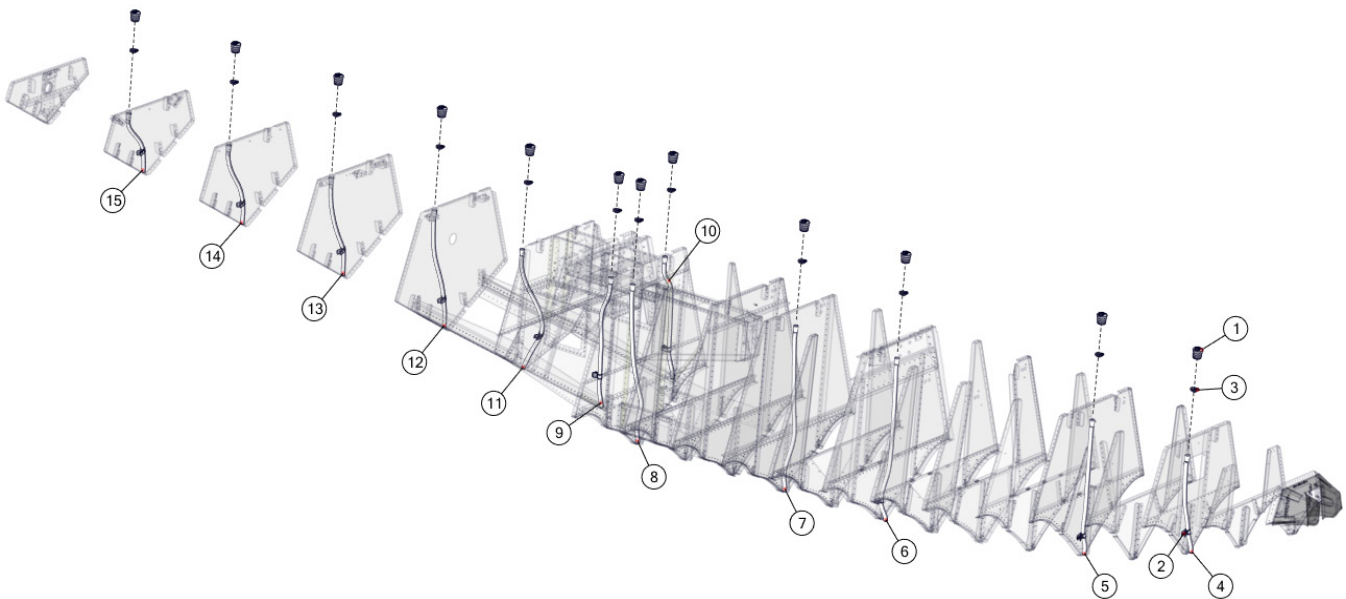
CONTENTS

| | |
|--|-----|
| PUMP OUT SYSTEM, LEFT AND RIGHT FLOATS | 202 |
|--|-----|

PUMP OUT SYSTEM, LEFT FLOAT



PUMP OUT SYSTEM, LEFT FLOAT



PARTS MANUAL FOR RIVETED
 WIPLINE MODEL 6100 AMPHIBIAN FLOATS SERIAL NUMBERS 61500 AND UP

PUMP OUT SYSTEM, LEFT AND RIGHT FLOAT

| ITEM | QTY | PART NO. | PART DESCRIPTION |
|------|-------|-------------|-------------------------------|
| 1 | 12 | 1011870 | VALVE, DUCKBILL (NEW STYLE) |
| | 12 | 2111 | STOPPER, PUMP OUT (OLD STYLE) |
| 2 | 12 | 3A01158-003 | CLAMP, PUMP OUT TUBE |
| 3 | 12 | 57134 | CLAMP |
| 4 | 1.67' | RM618 | TUBE |
| 5 | 2.15' | RM618 | TUBE |
| 6 | 2.6' | RM618 | TUBE |
| 7 | 2.63' | RM618 | TUBE |
| 8 | 2.8' | RM618 | TUBE |
| 9 | 2' | RM618 | TUBE |
| 10 | 2' | RM618 | TUBE |
| 11 | 2.3' | RM618 | TUBE |
| 12 | 1.9' | RM618 | TUBE |
| 13 | 1.67' | RM618 | TUBE |
| 14 | 1.3' | RM618 | TUBE |
| 15 | 1' | RM618 | TUBE |

THIS PAGE INTENTIONALLY LEFT BLANK

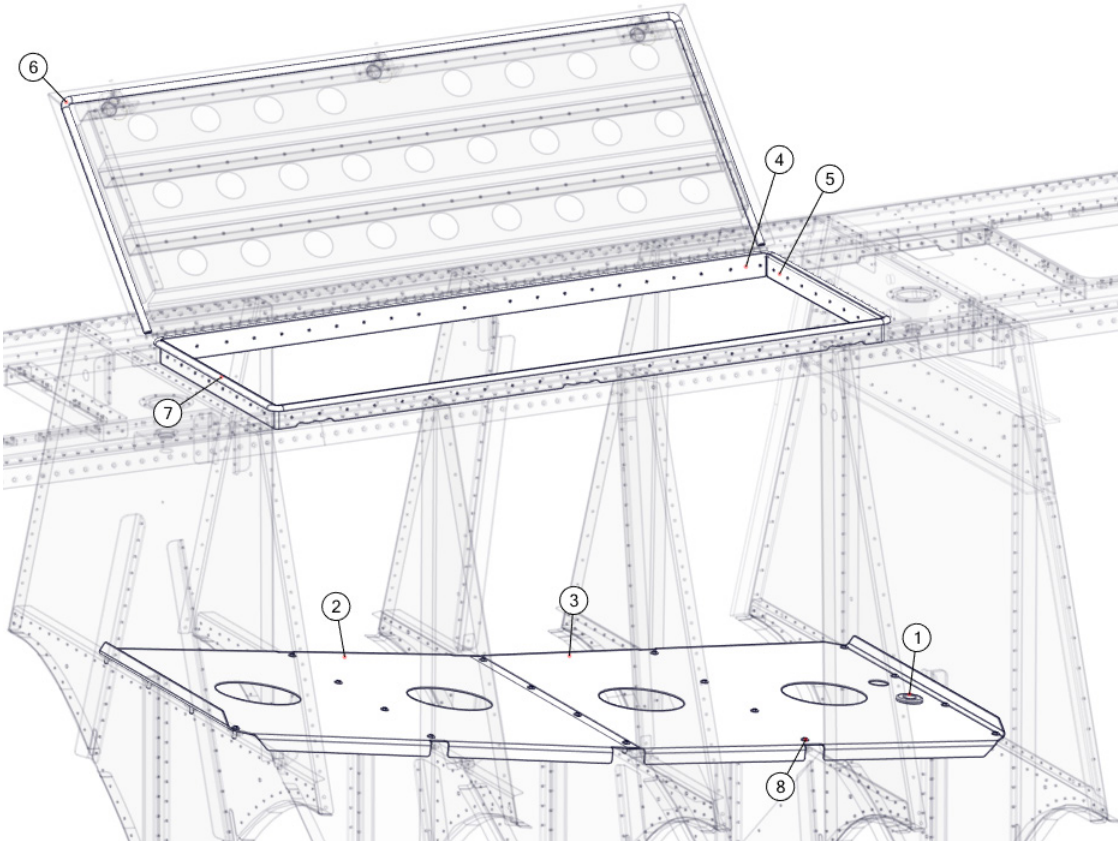
SECTION 13 BAGGAGE COMPARTMENT



CONTENTS

| | |
|---------------------------------------|-----|
| BAGGAGE COMPARTMENT, LEFT FLOAT | 206 |
| BAGGAGE COMPARTMENT, RIGHT FLOAT..... | 207 |

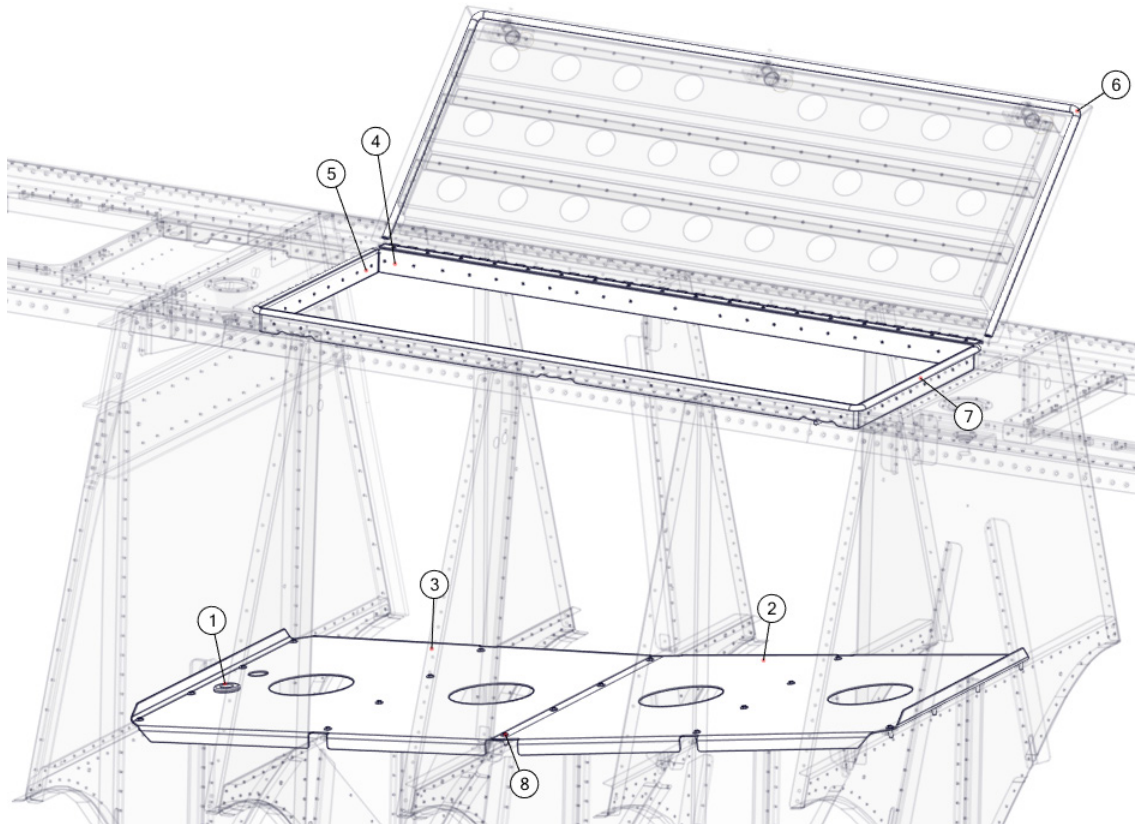
BAGGAGE COMPARTMENT, LEFT FLOAT



BAGGAGE COMPARTMENT, LEFT FLOAT

| ITEM | QTY | PART NO. | PART DESCRIPTION |
|------|---------|-------------|-------------------------------|
| 1 | 1 | MS35489-19 | GROMMET |
| 2 | 1 | 1007774 | PANEL, BAGGAGE FLOOR, FORWARD |
| 3 | 1 | 1007775 | PANEL, BAGGAGE FLOOR, AFT |
| 4 | 1 | 1007793 | BAGGAGE LIP, LATCH PLATE |
| 5 | 1 | 1007875 | BAGGAGE LIP, LEFT FLOAT |
| 6 | 4.85 FT | 1009671 | GASKET, DOOR |
| 7 | 4.85 FT | 1009671 | GASKET, DOOR |
| 8 | 20 | AN526-832R8 | SCREW |

BAGGAGE COMPARTMENT, RIGHT FLOAT

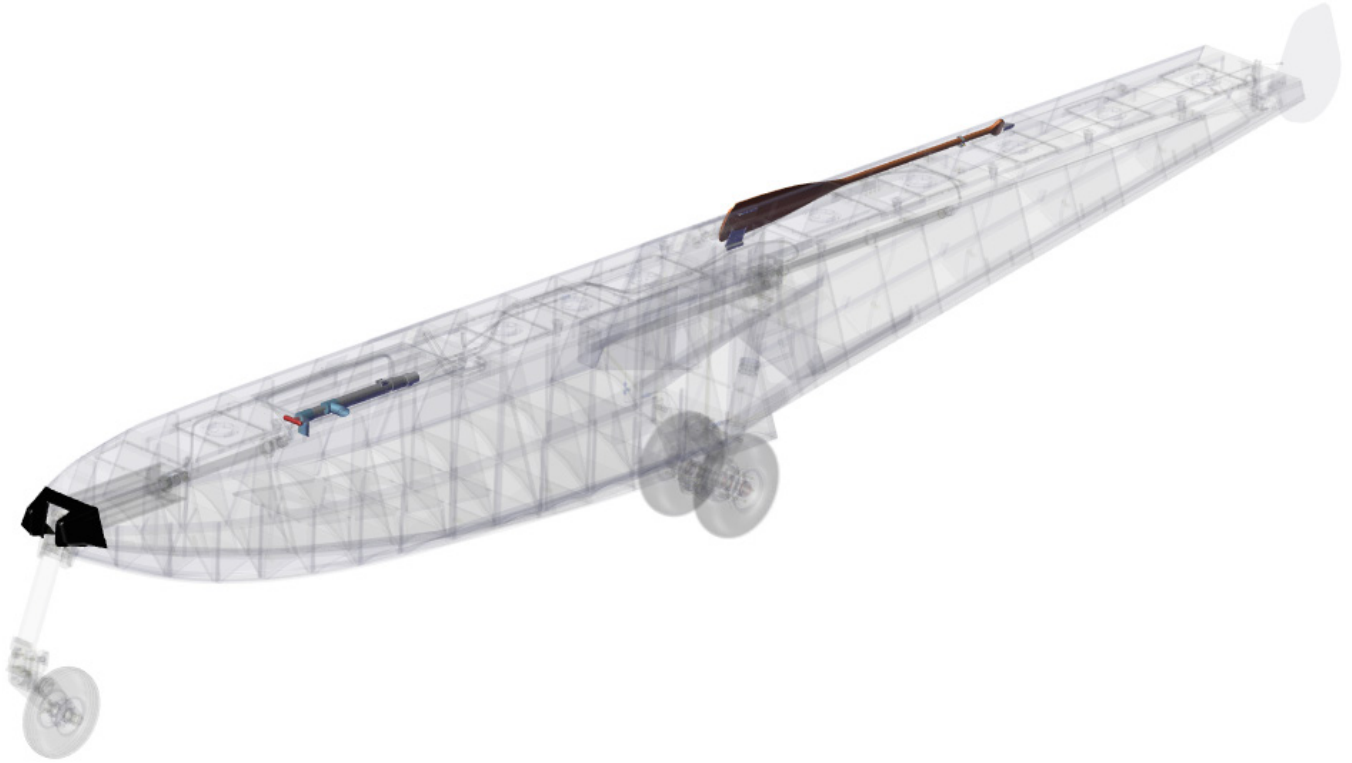


BAGGAGE COMPARTMENT, RIGHT FLOAT

| ITEM | QTY | PART NO. | PART DESCRIPTION |
|------|---------|-------------|-------------------------------|
| 1 | 1 | MS35489-19 | GROMMET |
| 2 | 1 | 1007774 | PANEL, BAGGAGE FLOOR, FORWARD |
| 3 | 1 | 1007775 | PANEL, BAGGAGE FLOOR, AFT |
| 4 | 1 | 1007793 | BAGGAGE LIP, LATCH PLATE |
| 5 | 1 | 1007876 | BAGGAGE LIP, RIGHT FLOAT |
| 6 | 4.85 FT | 1009671 | GASKET, DOOR |
| 7 | 4.85 FT | 1009671 | GASKET, DOOR |
| 8 | 20 | AN526-832R8 | SCREW |

THIS PAGE INTENTIONALLY LEFT BLANK

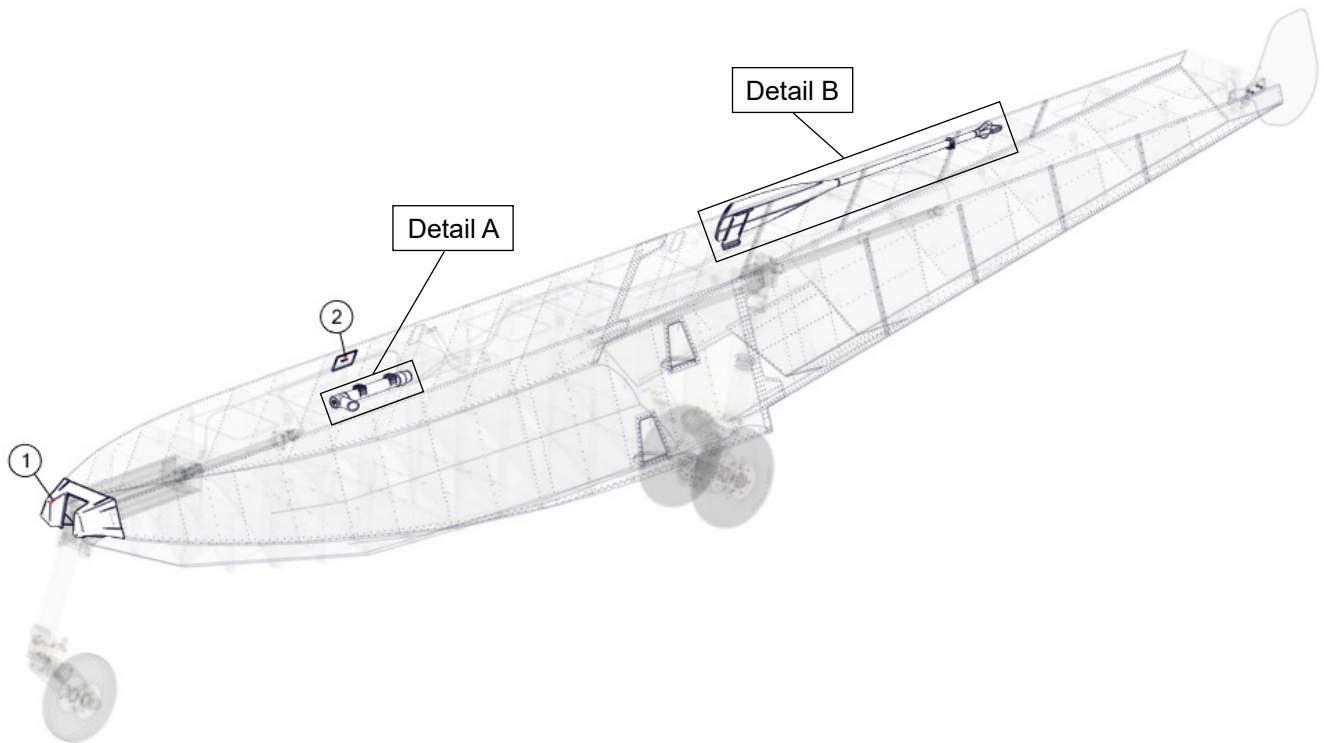
SECTION 14 ADDITIONAL FLOAT COMPONENTS



CONTENTS

| | |
|--|-----|
| ADDITIONAL FLOAT COMPONENTS, LEFT AND RIGHT FLOATS | 210 |
| 1007865 ASSEMBLY, NOSE BUMPER..... | 211 |
| ADDITIONAL FLOAT COMPONENTS, LEFT AND RIGHT FLOATS DETAIL A..... | 212 |
| ADDITIONAL FLOAT COMPONENTS, LEFT AND RIGHT FLOATS DETAIL B..... | 213 |

ADDITIONAL FLOAT COMPONENTS, LEFT AND RIGHT FLOATS

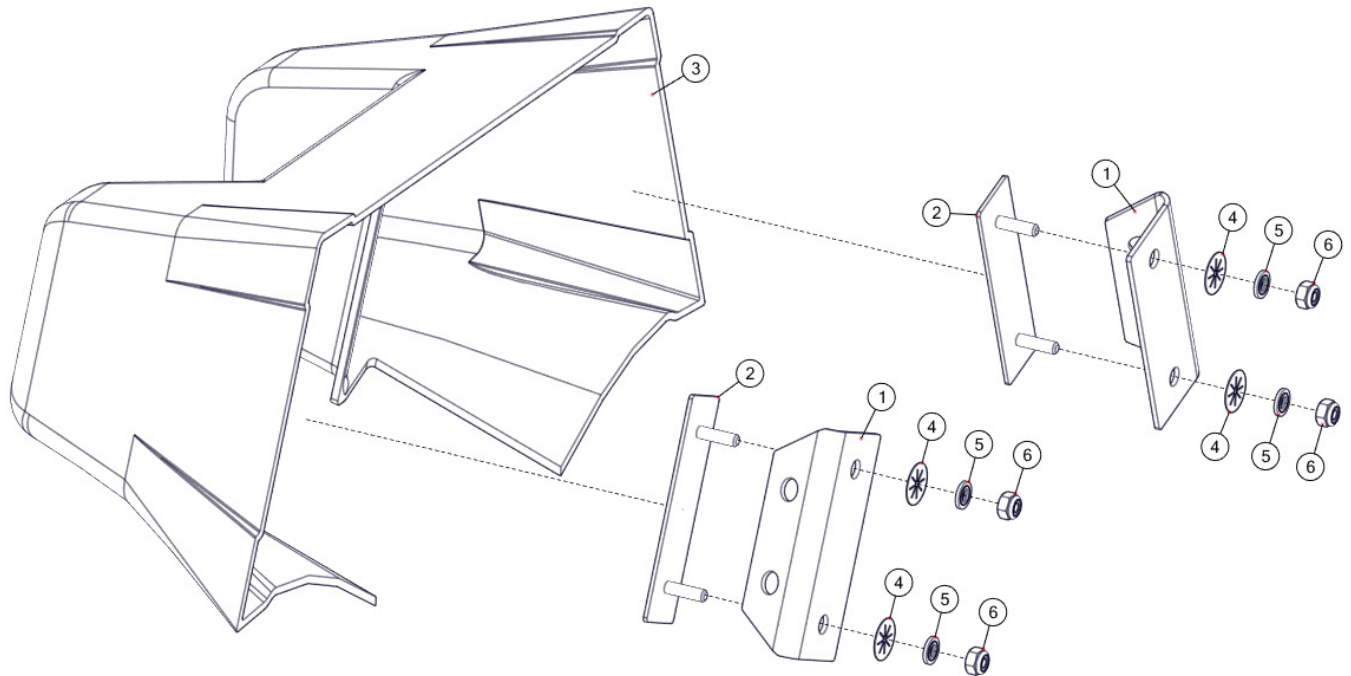


ADDITIONAL FLOAT COMPONENTS, LEFT AND RIGHT FLOAT

| ITEM | QTY | PART NO. | PART DESCRIPTION |
|----------|-----|-----------|-----------------------|
| 1 | 1 | 1007865 | ASSEMBLY, NOSE BUMPER |
| 2 | 1 | 9B3-138-7 | DATA PLATE, FLOAT |
| Detail A | 1 | - | FLOAT HAND PUMP |
| Detail B | 1 | - | CANOE PADDLE |

*See [Detailed Views](#) section for Detailed Views explanation

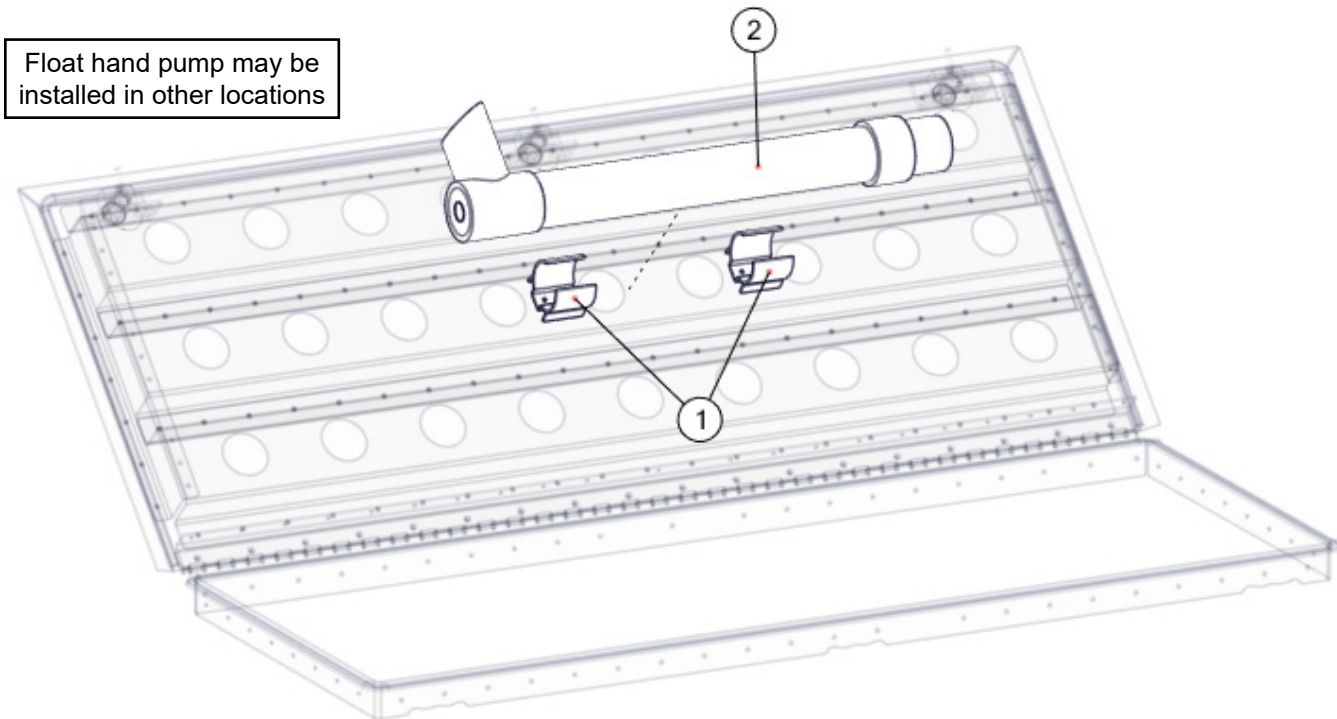
1007865 ASSEMBLY, NOSE BUMPER



1007865 ASSEMBLY, NOSE BUMPER

| ITEM | QTY | PART NO. | PART DESCRIPTION |
|------|-----|-------------|---|
| 1 | 2 | 1007863 | ANGLE, MOUNT, NOSE BUMPER |
| 2 | 2 | 1007864 | WELDMENT, PLATE, SCREW MOUNT, NOSE BUMPER |
| 3 | 1 | 1007865-01 | NOSE BUMPER |
| 4 | 4 | 4HFW3 | PUSH NUT WASHER |
| 5 | 4 | 600-0015-10 | WASHER, SEALING |
| 6 | 4 | MS21044N3 | NUT |

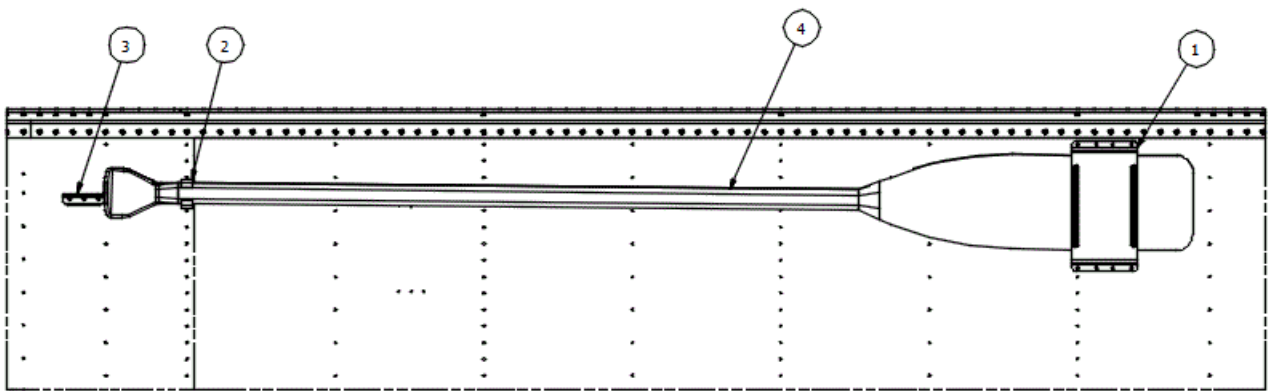
ADDITIONAL FLOAT COMPONENTS, LEFT AND RIGHT FLOATS DETAIL A



ADDITIONAL FLOAT COMPONENTS, LEFT AND RIGHT FLOAT DETAIL A

| ITEM | QTY | PART NO. | PART DESCRIPTION |
|---------|-----|--------------|---|
| 1 | 2 | AS1149-0332P | CLIP, PLASTIC, PUMPOUT (SCREWS INCLUDED, MAY BE RIVETED IN) |
| 2 | 1 | F15PX | PUMP, HAND, FLOAT, 15" |
| 2 (ALT) | 1 | F24PX | PUMP, HAND, FLOAT, 24" |
| 2 (ALT) | 1 | F36PX | PUMP, HAND, FLOAT, 36" |

ADDITIONAL FLOAT COMPONENTS, LEFT AND RIGHT FLOATS DETAIL B



ADDITIONAL FLOAT COMPONENTS, LEFT AND RIGHT FLOAT DETAIL B

| ITEM | QTY | PART NO. | PART DESCRIPTION |
|-------|-----|-------------|--------------------------------|
| 1 | 1 | 3A01158-093 | BRACKET, CANOE PADDLE |
| 2 | 1 | 3A01503-001 | CLIP, PADDLE |
| 3 LT. | 1 | 6A01156-059 | BRACKET, CANOE PADDLE STOP, LH |
| 3 RT. | 1 | 6A01156-058 | BRACKET, CANOE PADDLE STOP, RH |
| 4 | 1 | 0238-0068 | PADDLE, 5 1/2 FT BEAVER BRAND |



FLEMING FIELD
1700 HENRY AVE.
SOUTH ST. PAUL, MN 55075 U.S.A.
PHONE: (651) 451-1205 FAX: (651) 457-1786
EMAIL: INFO@WIPAIRE.COM
WWW.WIPAIRE.COM