



WIPLINE FLOATS • SKIS • MODIFICATIONS • AIRCRAFT SALES
AVIONICS • INTERIOR • MAINTENANCE • PAINT REFINISHING



**PARTS MANUAL FOR BONDED
WIPLINE MODEL 6000/6100
AMPHIBIAN AND SEAPLANE FLOATS
SERIAL NUMBER 61499 AND PRIOR ON
DHC-2 MK I AND MK III**

Revision U

1700 Henry Ave. - Fleming Field (KSGS), South St. Paul, MN 55075
Ph: 651.451.1205 Fax: 651.457.7858
www.wipaire.com

THIS PAGE INTENTIONALLY LEFT BLANK

LOG OF REVISIONS

Revision	Pages Affected	Description	Date
A	67, 69	Changed Drawing & Parts List.	2/10/2006
B	13, 48	Added parts to No. 43. Added Cleveland/Parker manufactured Main Gear Wheel Assy' figure 12A and P/Ns.	10/4/2006
C	49	Wheel bolt p/n changed from MN21044-N5 to MS21042-5 low profile steel bolt to create greater bolt thread extension after torquing.	8/31/2007
D	55, 56 69-72	Nose gear retraction and main shock strut images revised and parts lists changed to reflect T-Seal update.	4/1/2008
E	68	Parts numbers changed for the wheel grease retainer and the nose wheel assembly. Old retainer is still available for purchase and shown on 64 also.	7/4/2008
F	57,58,68, 69, 80-84	Pages removed for T-seal change in Rev. D returned to aid customers who choose not to update. Main Oleo, Main and Nose retraction can be sealed with either the updated T-seal system or original O-ring system. Call Wipaire Customer service if you are not sure which system is installed. Part numbers updated on numerous pages.	10/31/2008
G	74-76	Updated drawing to include both wheel styles and associated parts.	2/20/2009
H	Multiple	Parts Numbers Updated throughout the Manual. New Customer pages added.	9/1/2010
J	All	Reformat of entire document, and part numbers updated throughout.	6/16/2014
K	3	Removed Warranty Claim Form	3/31/2016
L	All	Corrected Oleo (O-ring) image and BOM, updated header and footer. Updated Oleo shock strut wiper. Updated Water Rudder Blade drawing and parts. Updated spreader bar parts and drawings. Updated Nose Fork and Pivot Assembly. Added nose wheel assembly drawing and parts.	8/22/2019
M	51-52, 55, 112, 121	Changed Washer AN960-10 to NAS1149FO363P and Nut AN365-1032 to MS21044N3, and added Nut MS21044N4 in Struts and Steps. Changed Nut H10-4 to NAS679A4W in Water Rudder Blade. Changed Split Washer 3/8 I.D. to MS35338-46 and "O" Ring AN6227-7 to MS28775-012 in Hydraulic Pump.	9/26/2019
N	56, 60-63	Added hardware for 6A02362-007 Fitting. Updated drawing and parts hardware for Aft Spreader Bar 6A03000-007 and Fwd Spreader Bar 6A03000-024. Changed 6A03702-009 Bolt, Spreader Bar Modified quantity from 88 to 8.	4/27/2020
P	All	Updated manual in new software. Changed Upper Rod End HMX106 to HMX10G in Struts and Steps section. Updated Nose Wheel Assembly 1003233 image and associated parts.	7/24/2020
R	All	Added note about nose and main gear tire/tube. Changed Nut MS21045-6 to MS21044N6 in Water Rudder Blade Installation. Added sections for Pre/Post Service Letter 215 for Hydraulics and Electrical. Changed Hydraulic Pump 6A09000-029 to 1011404 and replaced image and parts. Updated Hydraulic Pump Overview image and parts list. Updated hydraulic and electrical schematics images and parts lists.	5/10/2021
T	All	Combined various sections. Moved Hydraulic Brake Schematic to Hydraulic System section. Combined Main Gear Wheel Assembly, Main Gear Axle Assembly, Oleo Shock Strut Assembly, Main Gear Slide Tube Assembly, and Nose Gear Assembly into one Landing Gear section. Relabeled section 9 as Water Rudder, Steering, & Retract Cables. Combined Struts and Steps section and Spreader Bar section. Renumberd all sections. Added item 6 to Water Rudder Blade Installation image and parts list.	1/5/2022
U	47, 106, 108	Added 1011004 Assembly, Cup, Pumpout, Duckbill, 1011808 Retainer, Valve, Duckbill, Pumpout Plug, and 1011870 Valve, Duckbill to Pumper Tube section. Updated part numbers in Hydraulic System Schematic - Unidirectional Pump Pre and Post Service Letter 215.	7/19/2022

View most current version of parts manual at www.wipaire.com.

THIS PAGE INTENTIONALLY LEFT BLANK

TABLE OF CONTENTS

FLOAT PART SALES DEPARTMENT OPERATIONS	6
INTRODUCTION	7
SECTION 1 HULL ASSEMBLY – AMPHIBIAN AND SEAPLANE.....	9
SECTION 2 MISCELLANEOUS HULL PARTS.....	25
SECTION 3 WHEEL WELL AREA	31
SECTION 4 STEP AREA – SEAPLANE	35
SECTION 5 HULL EXTRUSIONS	39
SECTION 6 PUMPER TUBE	45
SECTION 7 STRUTS, STEPS, & SPREADER BARS.....	49
SECTION 8 LANDING GEAR	61
SECTION 9 WATER RUDDER, STEERING & RETRACT CABLES.....	89
SECTION 10 HYDRAULIC SYSTEM	95
SECTION 11 ELECTRICAL SCHEMATIC.....	111
SECTION 12 CONTROL CONSOLE.....	117

FLOAT PART SALES DEPARTMENT OPERATIONS

Parts Sales:

Wipaire, Inc.

1700 Henry Avenue – Fleming Field

South St. Paul, MN 55075

Telephone: (651) 306-0459

Fax: (651)-306-0666

Website: www.wipaire.com

Email: customerservice@wipaire.com

Note: Any information not found in this manual for strut package parts and other installation items refer to the installation drawing package provided with the STC at the time of float installation. Additional drawing copies are available for purchase through the Wipaire Customer Service Department.

Parts Ordering

Purchase orders should include:

1. Purchase order number
2. Name of person placing order
3. Invoicing information:
 - a. Customer name - company or individual
 - b. Address
 - c. Phone and fax number
4. Shipping information:
 - a. Address (if different from invoice address)
 - b. Method of shipment/preferred carrier
5. Aircraft model, float model, and serial numbers
6. Wipaire part number; name; type, e.g. left or right; quantity
7. Payment method: VISA, MasterCard, C.O.D. (Collect on Delivery) (U.S. customers only), pre-payment by check or wire transfer, open account (see Credit Policy)

INTRODUCTION

All references in this manual to LEFT and RIGHT are from the perspective of the pilot's seat with the floats fully installed and ready for floatplane operation.

The following is a list of abbreviations that may appear in the description nomenclature fields of this manual:

AB	Afterbody	Inbd.	Inboard
Amphib.	Amphibious	Lg.	Large
AR	As Required	Lt.	Left
Assy.	Assembly	Lwr.	Lower
Brkt.	Bracket	Opt.	Optional
Btm.	Bottom	Otbd.	Outboard
Bulk.	Bulkhead	Reinf.	Reinforcement
Ctr.	Center	Rr.	Rear
Cyl.	Cylinder	Rt.	Right
Ft.	Front	Sm.	Small
Ftg.	Fitting	SN	Serial Number
Fus.	Fuselage	Spr.	Spreader
Fwd	Forward	Upr.	Upper
Horiz.	Horizontal	Vert.	Vertical
Hyd.	Hydraulic	W.W.	Wheel Well

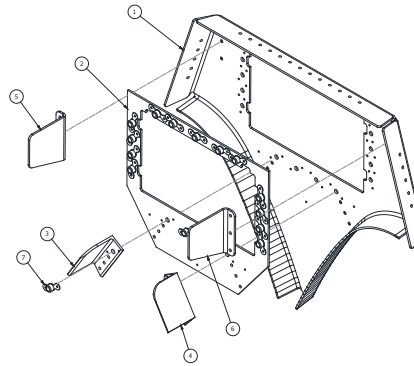
USING THIS PARTS MANUAL

COVERAGE

Parts information is provided in this manual for the hulls and all "deck down" parts. For information on strut package parts and other aircraft installation items, refer to the installation drawing package provided with the STC at the time of float installation. Additional drawing copies are available for purchase through Wipaire Customer Service Department.

Name of main part in the section. Example: This part is showing the components made up in Bulkhead #1.

BULKHEAD #1



Main part image. If the image has numbers associated with it, then those numbers are item numbers shown in the table below.

Items with a (-) instead of a number represent the main part as an assembly. Other parts represent the parts included in the assembly.

ITEM	QTY	PART NO.	PART DESCRIPTION
-	1	1008815	ASSEMBLY BULKHEAD #1, 10000
1	1	1008797	PANEL, BULKHEAD #1
2	1	13A01156-085	DOUBLER #1 BULKHEAD
3	1	13A01357-049	CLEAT, SISTER KEEL ATTACH #1 BULKHEAD
4	1	13A01357-050	CLEAT, SISTER KEEL ATTACH #1 BULKHEAD
5	1	6A01156-054	ANGLE – TOP RAIL
6	1	6A01156-055	ANGLE – TOP RAIL
7	17	MS21047L4	NUT PLATE, SELF LOCKING

To order an individual part, order the part number associated with item number.

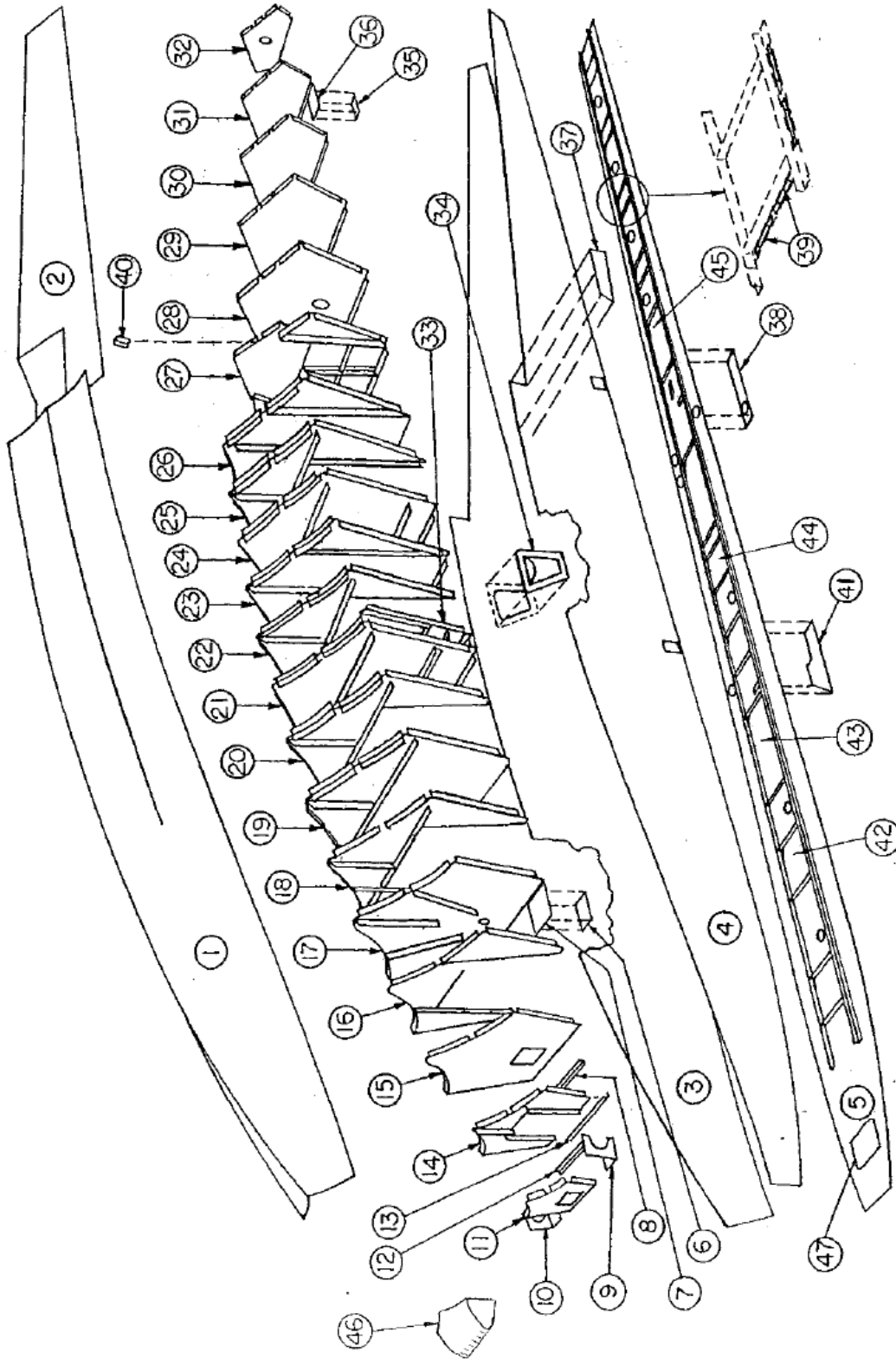
SECTION 1

HULL ASSEMBLY – AMPHIBIAN AND SEAPLANE

CONTENTS

HULL ASSEMBLY - AMPHIBIAN.....	10
HULL ASSEMBLY - SEAPLANE	17

HULL ASSEMBLY - AMPHIBIAN



PARTS MANUAL FOR BONDED
WIPLINE MODEL 6000/6100 FLOATS S/N 61499 AND PRIOR ON DHC-2 MK I AND MK III

ITEM	QTY	PART NO.	PART DESCRIPTION
1	1	6A01151-051	SKIN, BTM.,LT. FWD.
	1	6A01151-052	SKIN, BTM. RT. FWD.
2	1	6A01158-135	SKIN, AB LT.
	1	6A01158-134	SKIN, AB RT.
3	1	6A01158-033	SKIN, SIDE, OTBD., LT. FWD.
	1	6A01158-032	SKIN, SIDE, OTBD., RT. FWD.
4	1	6A01158-031	SKIN, SIDE, INBD., LT. FWD.
	1	6A01158-030	SKIN, SIDE, INBD., RT. FWD.
	1	6A01156-058	BRACKET, PADDLE STOP, RT.
	1	6A01156-059	BRACKET, PADDLE STOP, LT.
	2	3A01158-093	BRACKET
	2	3A01503-001	CLIP, PADDLE
	2	0238-0068	PADDLE, 5 ½ FT.
5	1	6A01158-037	SKIN, TOP, LT. FLOAT
	1	6A01158-036	SKIN, TOP, RT. FLOAT
	1	6A01348-001	ANGLE, TOP SKIN, LONG LT.
	1	6A01348-002	ANGLE, TOP SKIN, LONG RT.
	2	6A01352-006	ANGLE, SHORT BAGGAGE COMPARTMENT
	2	6A01352-005	ANGLE, SHORT INSPECTION COVERS
6	1	6A01156-015	SPACER, CLEAT ATTACH
7	1	6A01156-016	PLATE, CLEAT ATTACH
	2	6A01213-003	CLEAT, TIE DOWN
8	1	6A01339-032	STIFFENER, TOP SKIN AB.
9	2	6A01156-019	GUSSET, NOSE BULK.
10	2	6A01156-020	GUSSET, NOSE BULK.
11	1	6A01000-028	ASS'Y., BULK. #1
	2	6A01359-004	ANGLE, KEEL ATTACH
	11	MS21047L4	NUT PLATES
	1	6A01156-009	BULK.
12	1	6A01339-030	STIFFENER, TOP SKIN, FWD.
13	1	6A01361-012	STIFFENER, TOP SKIN, MIDDLE
14	1	6A01000-029	ASS'Y., BULK. #2
	1	6A01158-006	BULK. BTM.
	1	6A01005-033	BULK. SIDE, LT.
	1	6A01005-034	BULK. SIDE, RT.
	1	6A01359-007	ANGLE, KEEL ATTACH, LT.
	1	6A01359-008	ANGLE, KEEL ATTACH, RT.
	2	6A01359-009	ANGLE, SISTER KEEL ATTACH
15	1	6A01000-030	ASS'Y., BULK. #3
	1	6A01158-007	BULK., BTM.
	2	6A01005-035	BULK., TOP

PARTS MANUAL FOR BONDED
WIPLINE MODEL 6000/6100 FLOATS S/N 61499 AND PRIOR ON DHC-2 MK I AND MK III

ITEM	QTY	PART NO.	PART DESCRIPTION
	1	6A01359-011	ANGLE, KEEL ATTACH, LT.
	1	6A01359-010	ANGLE, KEEL ATTACH, RT.
	1	6A01359-013	ANGLE, SISTER KEEL ATTACH, LT.
	1	6A01359-012	ANGLE, SISTER KEEL ATTACH, RT.
	1	6A01359-015	ANGLE, NOSE BOX ATTACH, LT.
	1	6A01359-014	ANGLE, NOSE BOX ATTACH, RT.
	2	6A01359-004	ANGLE, TOP RAIL ATTACH
16	1	6A01000-031	ASS'Y. BULK. #4
	1	6A01158-008	BULK., BTM.
	1	6A01005-037	BULK., SIDE, LT.
	1	6A01005-036	BULK., SIDE, RT.
	1	6A01359-017	ANGLE, KEEL ATTACH, LT.
	1	6A01359-016	ANGLE, KEEL ATTACH, RT.
	1	6A01359-001	ANGLE, SISTER KEEL ATTACH
17	1	6A01000-032	ASS'Y., BULK. #5
	1	6A01158-009	BULK., BTM.
	1	6A01005-038	BULK., TOP
	1	6A01359-019	ANGLE, KEEL ATTACH, LT.
	1	6A01359-018	ANGLE, KEEL ATTACH, RT.
	1	6A01359-021	ANGLE, SISTER KEEL ATTACH, LT.
	1	6A01359-020	ANGLE, SISTER KEEL ATTACH, RT.
	1	6A01359-004	ANGLE, TOP RAIL ATTACH
18	1	6A01000-033	ASS'Y., BULK. #6
	1	6A01158-010	BULK., BTM.
	1	6A01005-040	BULK., SIDE, RT.
	1	6A01005-039	ANGLE, KEEL ATTACH, LT.
	1	6A01359-002	ANGLE, KEEL ATTACH, RT.
	1	6A01359-003	ANGLE, MAIN KEEL ATTACH
	1	6A01359-001	ANGLE, SISTER KEEL ATTACH
19	1	6A01000-034	ASS'Y., BULK. #7
	1	6A01158-011	BULK., BTM. FWD.
	1	6A01158-012	BULK., BTM. AFT
	1	6A01005-041	BULK., SIDE, LT.
	1	6A01005-042	BULK., SIDE, RT.
	1	6A01359-003	ANGLE, KEEL ATTACH, LT.
	1	6A01359-002	ANGLE, KEEL ATTACH, RT.
	2	6A01359-001	ANGLE, SISTER KEEL ATTACH
	1	6A01359-023	ANGLE, VERT., LT.
	1	6A01359-022	ANGLE, VERT., RT.
	2	6A01359-004	ANGLE, TOP RAIL ATTACH
	1	6A01005-180	BULK., SIDE, RT.

PARTS MANUAL FOR BONDED
WIPLINE MODEL 6000/6100 FLOATS S/N 61499 AND PRIOR ON DHC-2 MK I AND MK III

ITEM	QTY	PART NO.	PART DESCRIPTION
	1	6A01359-092	ANGLE, VERT. BEND
	2	6A01361-025	ANGLE SUPPORT
20	1	6A01000-035	ASS'Y., BULK., #8
	1	6A01158-013	BULK., BTM. FWD.
	1	6A01158-014	BULK., BTM. RR.
	1	6A01005-043	BULK., SIDE, LT.
	1	6A01005-044	BULK., SIDE, RT.
	1	6A01359-003	ANGLE, KEEL ATTACH, LT.
	1	6A01359-002	ANGLE, KEEL ATTACH, RT.
	2	6A01359-001	ANGLE, SISTER KEEL ATTACH
21	1	6A01000-037	ASSY., BULK., #9 (LT. FLOAT)
	1	6A01000-036	ASS'Y., BULK., #9 (RT. FLOAT)
	1	6A01156-055	ANGLE, ATTACH, TOP (LT. FLOAT)
	1	6A01156-054	ANGLE, ATTACH, TOP (RT. FLOAT)
	2	6A01150-119	PLATE, SEAL SLOT
	1	6A01359-025	ANGLE, KEEL ATTACH, LT.
	1	6A01359-024	ANGLE, KEEL ATTACH, RT.
	1	6A01359-027	ANGLE, SISTER KEEL ATTACH, LT.
	1	6A01359-026	ANGLE, SISTER KEEL ATTACH, RT.
	1	6A01338-001	PANEL, SPR. BAR, LT. BULK.
	1	6A01338-002	PANEL, SPR. BAR, RT. BULK.
	1	6A01357-001	ANGLE, SIDE BULK., LT.
	1	6A01357-002	ANGLE, SIDE BULK., RT.
	1	6A01158-015	BULK. BTM., FWD.
	1	6A01158-016	BULK. BTM., RR.
	1	6A01005-045	BULK., TOP
	1	6A01357-020	ANGLE, PUMP MOUNT, RT. FLOAT ONLY
	1	6A01359-004	ANGLE, ATTACH
22	1	6A01000-038	ASS'Y., BULK., #10
	2	6A01158-017	BULK., BTM.
	1	6A01005-047	BULK., SIDE, LT.
	1	6A01005-046	BULK., SIDE, RT.
	1	6A01359-003	ANGLE, KEEL ATTACH, LT.
	1	6A01359-002	ANGLE, KEEL ATTACH, RT.
23	1	6A01000-039	ASS'Y., BULK., #11
	2	8A01158-128	BULK. BTM
	1	6A01005-048	BULK. TOP
	1	6A01359-025	ANGLE, KEEL ATTACH, LT.
	1	6A01359-024	ANGLE, KEEL ATTACH, RT.
	1	6A01359-033	ANGLE, SISTER KEEL ATTACH, LT.
	1	6A02359-032	ANGLE, SISTER KEEL ATTACH, RT.

PARTS MANUAL FOR BONDED
WIPLINE MODEL 6000/6100 FLOATS S/N 61499 AND PRIOR ON DHC-2 MK I AND MK III

ITEM	QTY	PART NO.	PART DESCRIPTION
	2	6A01359-004	ANGLE, TOP RAIL ATTACH
24	1	6A01000-040	ASS'Y., BULK., #11A
	2	8A01158-128	BULK., BTM.
	1	6A01005-217	BULK., TOP
	1	6A01359-025	ANGLE, KEEL ATTACH, LT.
	1	6A01359-024	ANGLE, KEEL ATTACH, RT.
	1	6A01359-033	ANGLE, SISTER KEEL ATTACH, LT.
	1	6A01359-032	ANGLE, SISTER KEEL ATTACH, RT.
	1	6A01359-034	ANGLE, HORIZ. TUNNEL ATTACH
	2	6A01359-004	ANGLE, TOP RAIL ATTACH
	1	MS27130A7	RIVNUT
25	1	6A01000-041	ASS'Y., BULK., #11B
	2	8A01158-128	BULK., BTM.
	1	6A01005-049	BULK., SIDE, LT.
	1	6A01005-050	BULK., SIDE, RT.
	1	6A01359-035	ANGLE, KEEL ATTACH, LT.
	1	6A01359-036	ANGLE, KEEL ATTACH, RT.
	1	6A01359-037	ANGLE, HORIZ.
26	1	6A01000-043	ASS'Y., BULK., #12
	1	8A01158-128	BULK., BTM.
	1	6A01005-218	BULK., TOP
	1	6A01359-025	ANGLE, KEEL ATTACH, LT.
	1	6A01359-024	ANGLE, KEEL ATTACH, RT.
	1	6A01000-063	PANEL, ASSY., LT.
	1	6A01000-062	PANEL, ASSY., RT.
	1	6A01359-041	ANGLE, SISTER KEEL ATTACH, LT.
	1	6A01359-040	ANGLE, SISTER KEEL ATTACH, RT.
	1	6A01359-038	ANGLE, HORIZ. TOP
	1	6A01359-039	ANGLE, HORIZ. LWR.
	2	6A01359-004	ANGLE, TOP RAIL ATTACH
	1	6A01008-055	ANGLE, AFT, LT.
	1	6A01008-056	ANGLE, AFT, RT.
27	1	6A01000-045	ASS'Y., BULK., #13, LT.
	1	6A01000-174	ASS'Y., BULK., #13, RT.
	1	6A01008-119	BODY, BULK., LT.
	1	6A01008-006	BODY, BULK., RT.
	1	6A01002-031	PANEL, BULK.
	1	6A01339-029	ANGLE, SLIDE TUBE ATTACH, LT.
	1	6A01339-028	ANGLE, SLIDE TUBE ATTACH, RT.
	1	6A01359-087	ANGLE, VERT., LT.
	1	6A01359-088	ANGLE, VERT., RT.

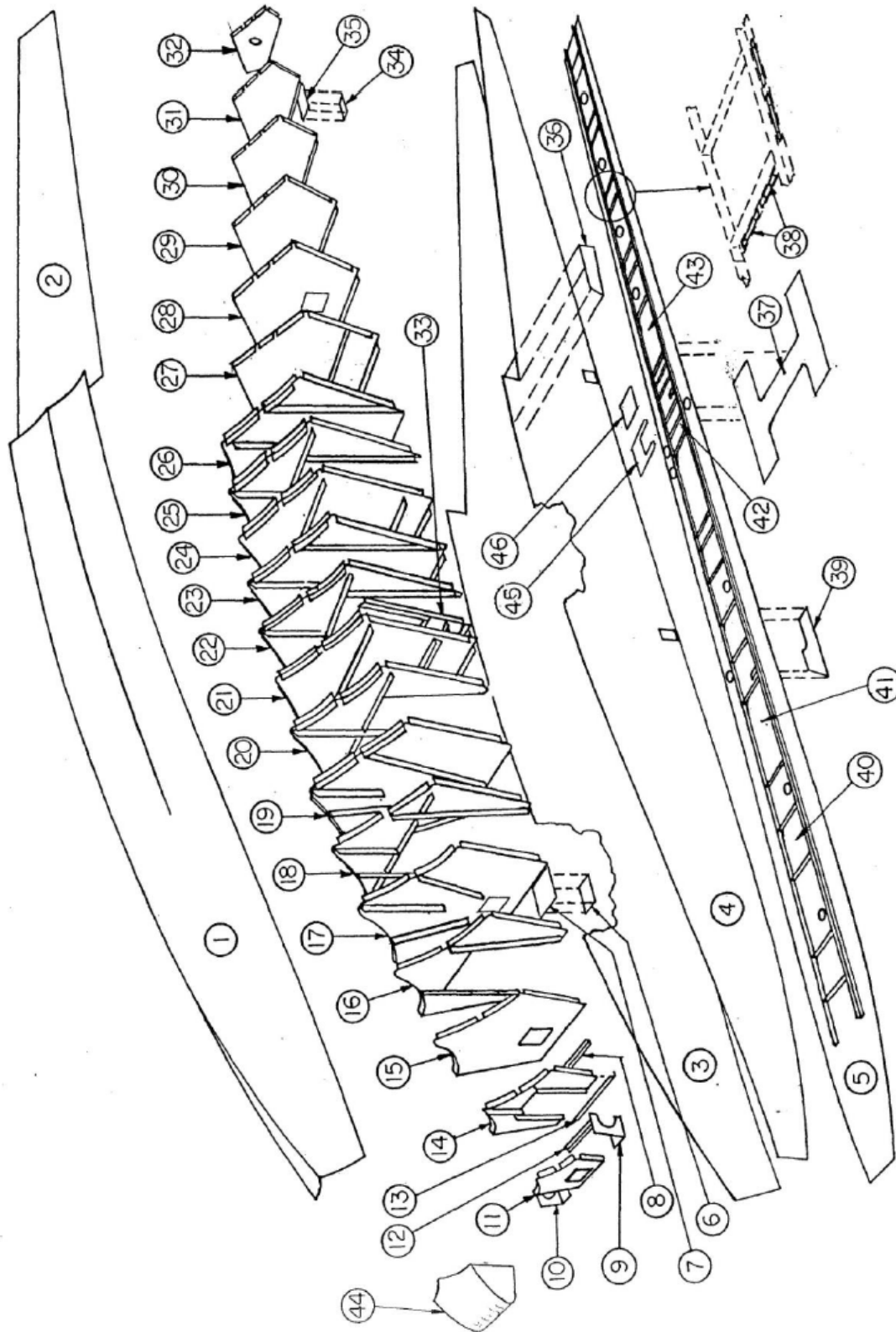
PARTS MANUAL FOR BONDED
WIPLINE MODEL 6000/6100 FLOATS S/N 61499 AND PRIOR ON DHC-2 MK I AND MK III

ITEM	QTY	PART NO.	PART DESCRIPTION
	1	6A01359-042	ANGLE, HORIZ., LONG
	2	6A01008-009	ANGLE, HORIZ., SHORT
	2	6A01359-004	ANGLE, RAIL ATTACH
	1	6A01361-003	ANGLE, SISTER KEEL, AB.
	1	6A01361-036	ANGLE, SISTER KEEL
28	1	6A01000-047	ASS'Y., BULK., #14
	1	6A01002-033	BODY, BULK.
	6	6A01359-004	ANGLE, RAIL ATTACH
29	1	6A01000-048	ASS'Y., BULK., #15
	1	6A01002-034	BODY, BULK.
	6	6A01359-004	ANGLE, RAIL ATTACH
30	1	6A01000-049	ASS'Y., BULK., #16
	1	6A01002-035	BODY, BULK.
	6	6A01359-004	ANGLE, RAIL ATTACH
31	1	6A01000-050	ASS'Y., BULK., #17
	1	6A01002-036	BODY, BULK.
	6	6A01359-004	ANGLE, RAIL ATTACH
	2	6A01156-070	DOUBLER CABLE
32	1	6A01000-051	ASS'Y., BULK., #18
	1	6A01002-037	BODY, BULK.
	6	6A01359-004	ANGLE, RAIL ATTACH
	1	3A01437-001	PIVOT, CASTING
	1	6A01352-004	ANGLE, TOP SKIN
	1	6A01361-001	ANGLE, REINFORCEMENT
	1	6A01361-002	ANGLE, REINFORCEMENT
	1	6A01359-044	ANGLE, REINFORCEMENT
33	1	6A01000-053	ASS'Y., FT., SPR. BAR PANEL, LT.
	1	6A01000-052	ASS'Y., FT., SPR. BAR PANEL, RT.
	1	6A01338-003	PANEL, FT. SPR. BAR, LT.
	1	6A01338-004	PANEL, FT. SPR. BAR, RT.
	1	6A01357-003	ANGLE, FT. SPR. BAR PANEL, LT.
	1	6A01357-004	ANGLE, FT. SPR. BAR PANEL, RT.
34	1	3A01000-005	ASS'Y., STEP BOARDING
35	1	6A01156-015	SPACER, CLEAT ATTACH
36	1	6A01156-016	PLATE, CLEAT ATTACH
37	2	6A01002-038	GUSSET STEP
38	1	6A01008-022	DOUBLER, TOP SKIN, RR.
39	A/R	1002481	PLATENUT, TINNEMAN WITH TAPE
40	2	6A01361-003	ANGLE, RR. SISTER KEEL ATTACH
41	1	6A01008-021	DOUBLER, TOP SKIN, FT.
42	6	6A01000-456	ASS'Y., INSPECTION COVER (10")

PARTS MANUAL FOR BONDED
WIPLINE MODEL 6000/6100 FLOATS S/N 61499 AND PRIOR ON DHC-2 MK I AND MK III

ITEM	QTY	PART NO.	PART DESCRIPTION
	6	3A01567-008	RUBBER GASKET
43	1	6A01000-123	ASS'Y., BAGGAGE COVER, METAL HINGE
	1	6A01000-073	ASS'Y., BAGGAGE COVER, PLASTIC HINGE (OLD STYLE)
	1	1-1/2" BLK HINGE	HINGE, CONT. (SHEPARD CO. - PLASTIC) (OLD STYLE)
	2	6A01000-166	LATCH (SOUTHCO) (OLD STYLE)
	2	3A01525-003	SPRING LOCK
	2	3A01273-004	LOCK INSERT
	2	3A01702-004	LOCK CATCH
	2	1002663	RING LOCK OPENING
	2	3A01206-001	BLOCK RETAINER
	1	1085-1MDC	SEAL
	18	1001571	POP RIVETS
44	1	6A01000-072	ASS'Y., INSPECTION COVER (8.75")
	1	6A01567-003	RUBBER GASKET
45	2	6A01000-071	ASS'Y., INSPECTION COVER (17.5")
	2	6A01567-004	RUBBER GASKET
46	1	6A01635-003	NOSE BUMPER
	2	6A01359-051	ANGLE, NOSE BUMPER ATTACH
47	1	6A01163-042	INSPECTION COVER NOSE (MODEL 6100)
	2	6A01156-014	STIFFENER INSP. COVER
	1	6A01567-005	RUBBER GASKET
48	2	6A01008-074	SPLASH RAILS CHINE (NOT SHOWN)
49	1	6A01008-133	BAGGAGE FLOOR (AFT HALF) SOLID ALUM.LT.
	1	6A01008-134	BAGGAGE FLOOR (AFT HALF) SOLID ALUM RT.
	1	6A01008-139	BAGGAGE FLOOR (FWD. HALF) SOLID ALUM.

HULL ASSEMBLY - SEAPLANE



PARTS MANUAL FOR BONDED
WIPLINE MODEL 6000/6100 FLOATS S/N 61499 AND PRIOR ON DHC-2 MK I AND MK III

ITEM	QTY	PART NO.	PART DESCRIPTION
1	1	6A01151-051	SKIN, BTM., LT.
	1	6A01151-052	SKIN, BTM., RT.
2	1	6S01158-133	SKIN, AFT, LT.
	1	6S01158-132	SKIN, AFT, RT.
3	1	6S01158-035	SKIN, SIDE, 0TB, LT.
	1	6S01158-034	SKIN, SIDE, 0TB, RT.
4	1	6A01158-031	SKIN, SIDE, INBD., LT.
	1	6A01158-030	SKIN, SIDE, INBD., RT.
	1	6A01156-058	BRACKET, PADDLE STOP, RT.
	1	6A01156-059	BRACKET, PADDLE STOP, LT.
	2	3A01158-093	BRACKET
	2	3A01503-001	CLIP, PADDLE
	2	0238-0068	PADDLE, 5 1/2 FT.
5	1	6S01158-039	SKIN, TOP, LT.
	1	6S01158-038	SKIN, TOP, RT.
	1	6A01348-001	ANGLE, TOP SKIN, LT.
	1	6A01348-002	ANGLE, TOP SKIN, RT.
	2	6A01352-006	ANGLE, TOP SKIN BAGGAGE
	2	6A01352-005	ANGLE, TOP SKIN
6	1	6A01156-015	SPACER, CLEAT ATTACH
7	1	6A01156-016	PLATE, CLEAT ATTACH
	2	6A01213-003	CLEAT, TIE DOWN
8	1	6A01339-032	STIFFENER, TOP SKIN, AFT
9	2	6A01156-019	DOUBLER, SIDE
10	2	6A01156-020	DOUBLER, TOP
11	1	6A01000-028	ASS'Y., BULK., #1
	2	6A01359-004	ANGLE, KEEL ATTACH
	1	6S01002-040	COVER, NOSE BOX
	1	6A01156-009	BULK.
	11	MS21047L4	NUTPLATE, TWO LUG
12	1	6A01339-030	STIFFENER, TOP SKIN, FWD.
13	1	6A01361-012	STIFFENER, TOP SKIN, MIDDLE
14	1	6A01000-029	ASS'Y., BULK., #2
	1	6A01158-006	BULK. BTM.
	1	6A01005-033	BULK. SIDE, LT.
	1	6A01359-007	ANGLE, KEEL ATTACH, LT.
	1	6A01005-034	BULK. SIDE, RT.
	1	6A01359-008	ANGLE, KEEL ATTACH, RT.
	2	6A01359-009	ANGLE, SISTER KEEL, ATTACH
15	1	6A01000-030	ASS'Y., BULK., #3
	1	6A01158-007	BULK., BTM.

PARTS MANUAL FOR BONDED
WIPLINE MODEL 6000/6100 FLOATS S/N 61499 AND PRIOR ON DHC-2 MK I AND MK III

ITEM	QTY	PART NO.	PART DESCRIPTION
	1	6A01005-035	BULK., TOP
	1	6A01359-011	ANGLE, KEEL ATTACH, LT.
	1	6A01359-010	ANGLE, KEEL ATTACH, RT.
	1	6A01359-013	ANGLE, SISTER KEEL ATTACH, LT.
	1	6A01359-012	ANGLE, SISTER KEEL ATTACH, RT.
	1	6A01359-015	ANGLE, NOSE BOX ATTACH, LT.
	1	6A01359-014	ANGLE, NOSE BOX ATTACH, RT.
	2	6A01359-004	ANGLE, TOP RAIL ATTACH
16	1	6A01000-031	ASS'Y., BULK., #4
	1	6A01158-008	BULK., BTM.
	1	6A01005-037	BULK. SIDE, LT.
	1	6A01005-036	BULK. SIDE, RT.
	1	6A01359-017	ANGLE, KEEL ATTACH, LT.
	1	6A01359-016	ANGLE, KEEL ATTACH, RT.
	2	6A01359-001	ANGLE, SISTER KEEL ATTACH
17	1	6A01000-032	ASS'Y., BULK., #5
	1	6A01158-009	BULK., BTM.
	1	6A01005-038	BULK., TOP
	1	6A01359-019	ANGLE, KEEL ATTACH, LT.
	1	6A01359-018	ANGLE, KEEL ATTACH, RT.
	1	6A01359-021	ANGLE, SISTER KEEL ATTACH, LT.
	1	6A01359-020	ANGLE, SISTER KEEL ATTACH, RT.
	2	6A01359-004	ANGLE, TOP RAIL ATTACH
18	1	6A01000-033	ASS'Y., BULK., #6
	1	6A01158-010	BULK., BTM.
	1	6A01005-039	BULK. SIDE, LT.
	1	6A01005-040	BULK. SIDE, RT.
	1	6A01359-003	ANGLE, KEEL ATTACH, LT.
	1	6A01359-002	ANGLE, KEEL ATTACH, RT.
	2	6A01359-001	ANGLE, SISTER KEEL ATTACH
19	1	6A01000-034	ASS'Y., BULK., #7
	1	6A01158-011	BULK., BTM. FWD.
	1	6A01158-012	BULK., BTM. AFT
	1	6A01005-041	BULK., SIDE LT.
	1	6A01005-042	BULK., SIDE RT.
	1	6A01359-003	ANGLE, KEEL ATTACH, LT.
	1	6A01359-002	ANGLE, KEEL ATTACH, RT.
	2	6A01359-001	ANGLE, SISTER KEEL ATTACH
	1	6A01359-023	ANGLE, VERT., LT.
	1	6A01359-022	ANGLE, VERT., RT.
	2	6A01359-004	ANGLE, TOP RAIL ATTACH

PARTS MANUAL FOR BONDED
WIPLINE MODEL 6000/6100 FLOATS S/N 61499 AND PRIOR ON DHC-2 MK I AND MK III

ITEM	QTY	PART NO.	PART DESCRIPTION
20	1	6A01000-035	ASS'Y., BULK., #8
	1	6A01158-013	BULK., BTM. FWD.
	1	6A01158-014	BULK., BTM. RR.
	1	6A01005-043	BULK., SIDE, LT.
	1	6A01005-044	BULK., SIDE, RT.
	1	6A01359-003	ANGLE, KEEL ATTACH, LT.
	1	6A01359-002	ANGLE, KEEL ATTACH, RT.
	2	6A01359-001	ANGLE, SISTER KEEL ATTACH
	1	6A01156-055	ANGLE, TOP RAIL, LT.
	1	6A01156-054	ANGLE, TOP RAIL, RT.
	2	6A01150-119	PLATE, SEAL RAIL SLOT
21	1	6A01000-037	ASS'Y., BULK., #9 (LT. FLOAT)
	1	6A01000-036	ASS'Y., BULK., #9 (RT. FLOAT)
	1	6A01359-025	ANGLE, KEEL ATTACH, LT.
	1	6A01359-024	ANGLE, KEEL ATTACH, RT.
	1	6A01359-027	ANGLE, SISTER KEEL ATTACH, LT.
	1	6A01359-026	ANGLE, SISTER KEEL ATTACH, RT.
	1	6A01338-001	PANEL, SPR. BAR, LT. BULK. ONLY
	1	6A01338-002	PANEL, SPR. BAR, RT. BULK. ONLY
	1	6A01357-001	ANGLE, SIDE BULK., LT.
	1	6A01357-002	ANGLE, SIDE BULK., RT.
	1	6A01158-015	BULK. BTM., FWD.
	1	6A01158-016	BULK. BTM., AFT
	1	6A01005-045	BULK., TOP
22	1	6A01000-038	ASS'Y., BULK., #10
	2	6A01158-017	BULK. BTM.
	1	6A01005-047	BULK., SIDE, LT.
	1	6A01005-046	BULK., SIDE, RT.
	1	6A01359-003	ANGLE, KEEL ATTACH, LT.
	1	6A01359-002	ANGLE, KEEL ATTACH, RT.
23	1	6A01000-039	ASS'Y., BULK., #11
	2	8A01158-128	BULK. BTM.
	1	6A01005-048	BULK. TOP
	1	6A01359-025	ANGLE, KEEL ATTACH, LT.
	1	6A01359-024	ANGLE, KEEL ATTACH, RT.
	1	6A01359-033	ANGLE, SISTER KEEL ATTACH, LT.
	1	6A01359-032	ANGLE, SISTER KEEL ATTACH, RT.
	2	6A01359-004	ANGLE, TOP RAIL ATTACH
24	1	6A01000-040	ASS'Y., BULK. #11A
	2	8A01158-128	BULK., BTM.
	1	6A01005-217	BULK., TOP

PARTS MANUAL FOR BONDED
WIPLINE MODEL 6000/6100 FLOATS S/N 61499 AND PRIOR ON DHC-2 MK I AND MK III

ITEM	QTY	PART NO.	PART DESCRIPTION
	1	6A01359-025	ANGLE, KEEL ATTACH, LT.
	1	6A01359-024	ANGLE, KEEL ATTACH, RT.
	1	6A01359-033	ANGLE, SISTER KEEL ATTACH, LT.
	1	6A01359-032	ANGLE, SISTER KEEL ATTACH, RT.
	2	6A01359-004	ANGLE, TOP RAIL ATTACH
	1	6A01359-034	ANGLE, HORIZ. TUNNEL ATTACH
25	1	6S01000-042	ASS'Y., BULK., #11B
	1	6S01158-112	BULK., BTM AFT.
	1	6A01005-049	BULK., SIDE, LT.
	1	6A01005-050	BULK., SIDE, RT.
	1	6A01359-035	ANGLE, KEEL ATTACH, LT.
	1	6A01359-036	ANGLE, KEEL ATTACH, RT.
	1	6A01359-037	ANGLE, HORIZ.
	1	6S01158-111	BULKHEAD, BOTTOM, FWD
26	1	6S01000-044	ASS'Y., BULK., #12
	1	6S01158-115	BULK., BTM. FWD
	1	6S01158-116	BULK, BTM, AFT
	1	6S01005-219	BULK., TOP
	1	6S01008-019	ANGLE, SKIN ATTACH, LOWER LT.
	1	6S01008-020	ANGLE, SKIN ATTACH, LOWER RT.
	1	6A01427-001	ANGLE, VERT. INBD., LT.
	1	6A01427-002	ANGLE, VERT. INBD., RT.
	1	6A01359-041	ANGLE, SISTER KEEL ATTACH, LT.
	1	6A01359-040	ANGLE, SISTER KEEL ATTACH, RT.
	1	6S01359-086	ANGLE, HORIZ. TOP
	1	6A01359-039	ANGLE, HORIZ. LWR.
	2	6A01359-004	ANGLE, TOP RAIL ATTACH
27	1	6S01000-046	ASS'Y., BULK., #13
	1	6S01002-032	BODY, BULK.
	2	6S01359-043	ANGLE, HORIZ. AND VERT.
	2	6A01359-004	ANGLE, RAIL ATTACH
28	1	6A01000-047	ASS'Y., BULK., #14 LT.
	1	6A01000-176	ASS'Y., BULK #14 RT
	1	6A01002-033	BODY, BULK.
	6	6A01359-004	ANGLE, RAIL ATTACH
	1	6A01002-120	BODY, BULK., RT
	2	MS24665-136	PIN, COTTER
	2	3A01151-010	BRACKET PULLEY
29	1	6A01000-048	ASS'Y., BULK., #15
	1	6A01002-034	BODY, BULK.
	6	6A01359-004	ANGLE, RAIL ATTACH

PARTS MANUAL FOR BONDED
WIPLINE MODEL 6000/6100 FLOATS S/N 61499 AND PRIOR ON DHC-2 MK I AND MK III

ITEM	QTY	PART NO.	PART DESCRIPTION
	2	3A01151-010	BRACKET PULLEY
	2	MS24665-136	PIN, COTTER
	2	6A01156-069	DOUBLER, CABLE
30	1	6A01000-049	ASS'Y., BULK., #16
	1	6A01002-035	BODY, BULK.
	6	6A01359-004	ANGLE, RAIL ATTACH
31	1	6A01000-050	ASS'Y., BULK., #17
	1	6A01002-036	BODY, BULK.
	6	6A01359-004	ANGLE, RAIL ATTACH
	2	MS24665-136	PIN, COTTER
	2	6A01156-070	DOUBLER, CABLE
	2	3A01151-010	BRACKET PULLEY
32	1	6A01000-051	ASS'Y., BULK., #18
	1	6A01002-037	BODY, BULK.
	6	6A01359-004	ANGLE, RAIL ATTACH
	1	3A01437-001	PIVOT, CASTING
	1	6A01352-004	ANGLE, TOP SKIN, REINF.
	1	6A01361-001	ANGLE, REINF.
	1	6A01361-002	ANGLE, REINF.
	1	6A01359-044	ANGLE, REINF.
33	1	6A01000-053	ASSY., FT., SPR. BAR PANEL, LT.
	1	6A01000-052	ASSY., FT., SPR. BAR PANEL, RT.
	1	6A01338-003	PANEL, FT. SPR. BAR, LT.
	1	6A01338-004	PANEL, FT. SPR. BAR, RT.
	1	6A01357-003	ANGLE, FT. SPR. BAR PANEL, LT.
	1	6A01357-004	ANGLE, FT. SPR. BAR PANEL, RT.
34	1	6A01156-015	SPACER, CLEAT ATTACH
35	1	6A01156-016	PLATE, CLEAT ATTACH
36	2	6A01002-038	GUSSET STEP
37	1	6S01008-023	DOUBLER, TOP SKIN, AFT
38	A/R	1002481	PLATENUT, TINNEMAN WITH TAPE
39	1	6A01008-021	DOUBLER, TOP SKIN, FWD
40	6	6A01000-456	ASS'Y., INSPECTION COVER (10")
41	1	6A01000-123	ASS'Y., BAGGAGE COVER, METAL HINGE
	1	6A01000-073	ASS'Y., BAGGAGE COVER, PLASTIC HINGE
	1	1-1/2" BLACK HINGE	HINGE, CONT. (SHEPARD CO. - PASTIC)
	2	6A01000-166	LATCH (SOUTHCO)
42	1	6A01000-072	ASS'Y., COVER FLOAT DECK (8.75")
43	1	6A01000-071	ASS'Y., COVER FLOAT DECK (17.5")
44	1	6S01731-001	NOSE BUMPER

PARTS MANUAL FOR BONDED
WIPLINE MODEL 6000/6100 FLOATS S/N 61499 AND PRIOR ON DHC-2 MK I AND MK III

ITEM	QTY	PART NO.	PART DESCRIPTION
	2	6A01359-051	ANGLE, NOSE BUMPER ATTACH, SIDE
	2	6A01359-113	ANGLE, NOSE BUMPER ATTACH, BOTTOM
45	1	6S01003-019	DOUBLER, TOP SKIN, INSIDE
46	2	6S01003-044	SPACER, TOP SKIN AFT, SPR. BAR PANELS
47	2	6A01008-074	SPLASH GUARD (NOT SHOWN)
48	1	6A01008-133	BAGGAGE FLOOR (AFT HALF) LT.
	1	6A01008-134	BAGGAGE FLOOR (AFT HALF) RT.
	1	6A01008-139	BAGGAGE FLOOR (FWD HALF)

THIS PAGE INTENTIONALLY LEFT BLANK

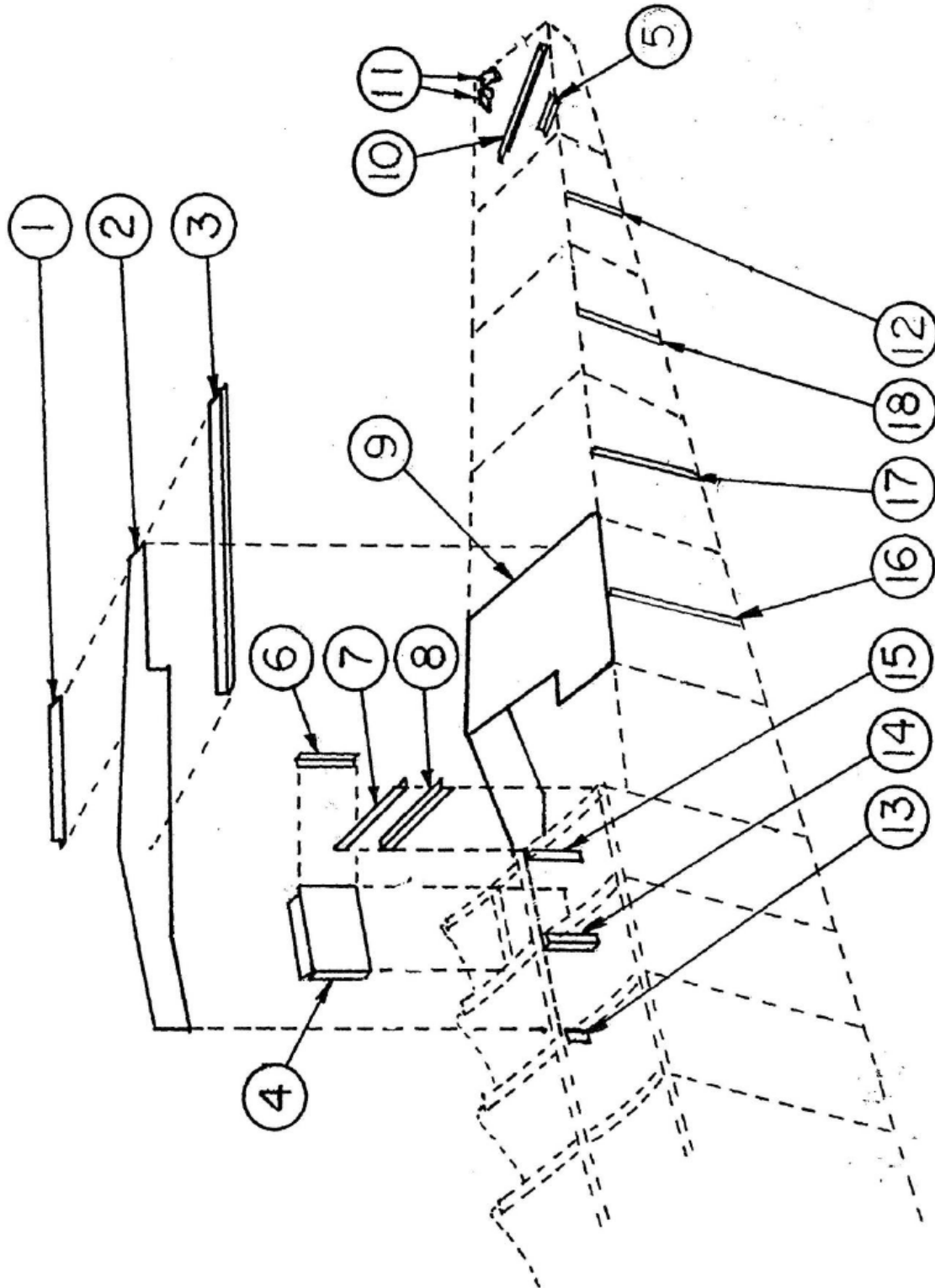
SECTION 2

MISCELLANEOUS HULL PARTS

CONTENTS

MISCELLANEOUS HULL PARTS - AMPHIBIAN	26
MISCELLANEOUS HULL PARTS - SEAPLANE.....	28

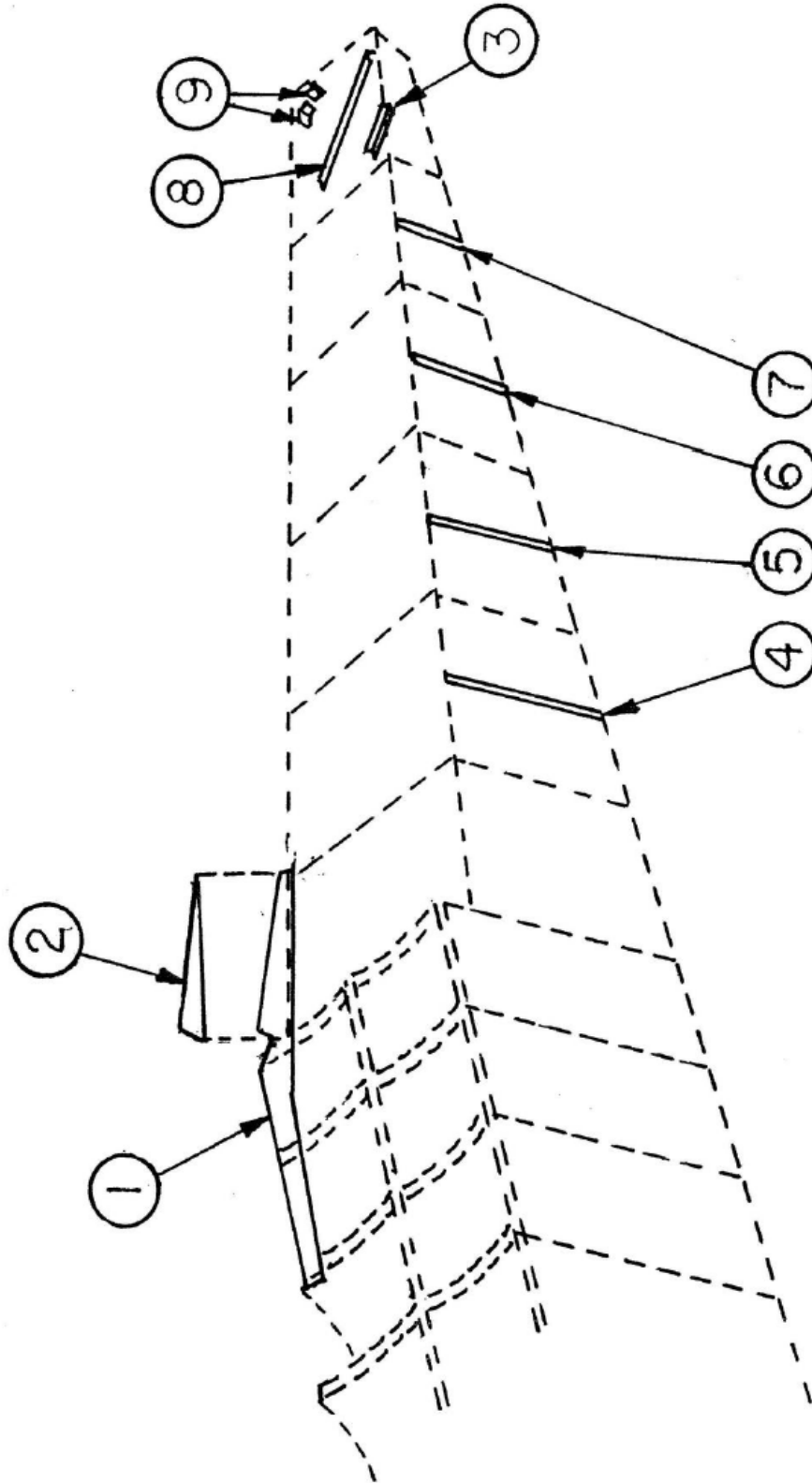
MISCELLANEOUS HULL PARTS - AMPHIBIAN



PARTS MANUAL FOR BONDED
WIPLINE MODEL 6000/6100 FLOATS S/N 61499 AND PRIOR ON DHC-2 MK I AND MK III

ITEM	QTY	PART NO.	PART DESCRIPTION
1	1	6A01008-011	ANGLE, CARRYTHRU STRAP, LT.
	1	6A01008-010	ANGLE, CARRYTHRU STRAP, RT.
2	2	6A01001-003	STRAP, CARRYTHRU
3	1	6A01008-017	ANGLE, CARRYTHRU STRAP OUTSIDE, LT.
	1	6A01008-016	ANGLE, CARRYTHRU STRAP OUTSIDE, RT.
4	1	6A01000-063	ASS'Y., DRAG BRACE PANEL, LT.
	1	6A01000-062	ASS'Y., DRAG BRACE PANEL, RT.
5	1	6A01352-004	ANGLE, TOP SKIN REINF.
6	1	6A01183-001	ANGLE, DRAG BRACE ATTACH, LT.
	1	6A01183-002	ANGLE, DRAG BRACE ATTACH, RT.
7	1	6A01005-051	ANGLE, OUTSIDE, AFT, LT.
	1	6A01005-052	ANGLE, OUTSIDE, AFT, RT.
8	1	6A01008-055	ANGLE, INSIDE, AFT, LT.
	1	6A01008-056	ANGLE, INSIDE, AFT, RT.
9	1	6A01008-018	PANEL, REINF.
10	1	6A01359-044	ANGLE, REINF. #18 BULK.
11	1	6A01361-001	ANGLE, REINF. #18 BULK. BTM. LT.
	1	6A01361-002	ANGLE, REINF. #18 BULK. BTM. RT.
12	2	6A01151-047	STIFFENER, SIDE
13	2	6A01011-001	SHIM, CARRYTHRU STRAP
14	1	6A01008-013	ANGLE, CARRYTHRU STRAP, LT.
	1	6A01008-012	ANGLE, CARRYTHRU STRAP, RT.
15	1	6A01008-015	ANGLE, CARRYTHRU STRAP, LT.
	1	6A01008-014	ANGLE, CARRYTHRU STRAP, RT.
16	2	6A01151-050	STIFFENER, SIDE
17	2	6A01151-049	STIFFENER, SIDE
18	2	6A01151-048	STIFFENED, SIDE

MISCELLANEOUS HULL PARTS - SEAPLANE



PARTS MANUAL FOR BONDED
WIPLINE MODEL 6000/6100 FLOATS S/N 61499 AND PRIOR ON DHC-2 MK I AND MK III

ITEM	QTY	PART NO.	PART DESCRIPTION
1	2	6S01156-011	STRAP, CARRYTHRU
2	1	6S01156-012	SPACER, CARRYTHRU STRAP
3	1	6A01352-004	ANGLE, TOP SKIN REINF.
4	2	6A01151-050	STIFFENER, SIDE
5	2	6A01151-049	STIFFENER, SIDE
6	2	6A01151-048	STIFFENER, SIDE
7	2	6A01151-047	STIFFENER, SIDE
8	1	6A01359-044	ANGLE, REINF. #18 BULK.
9	1	6A01361-001	ANGLE, REINF. #18 BULK. BTM. LT.
	1	6A01361-002	ANGLE, REINF. #18 BULK. BTM. RT.

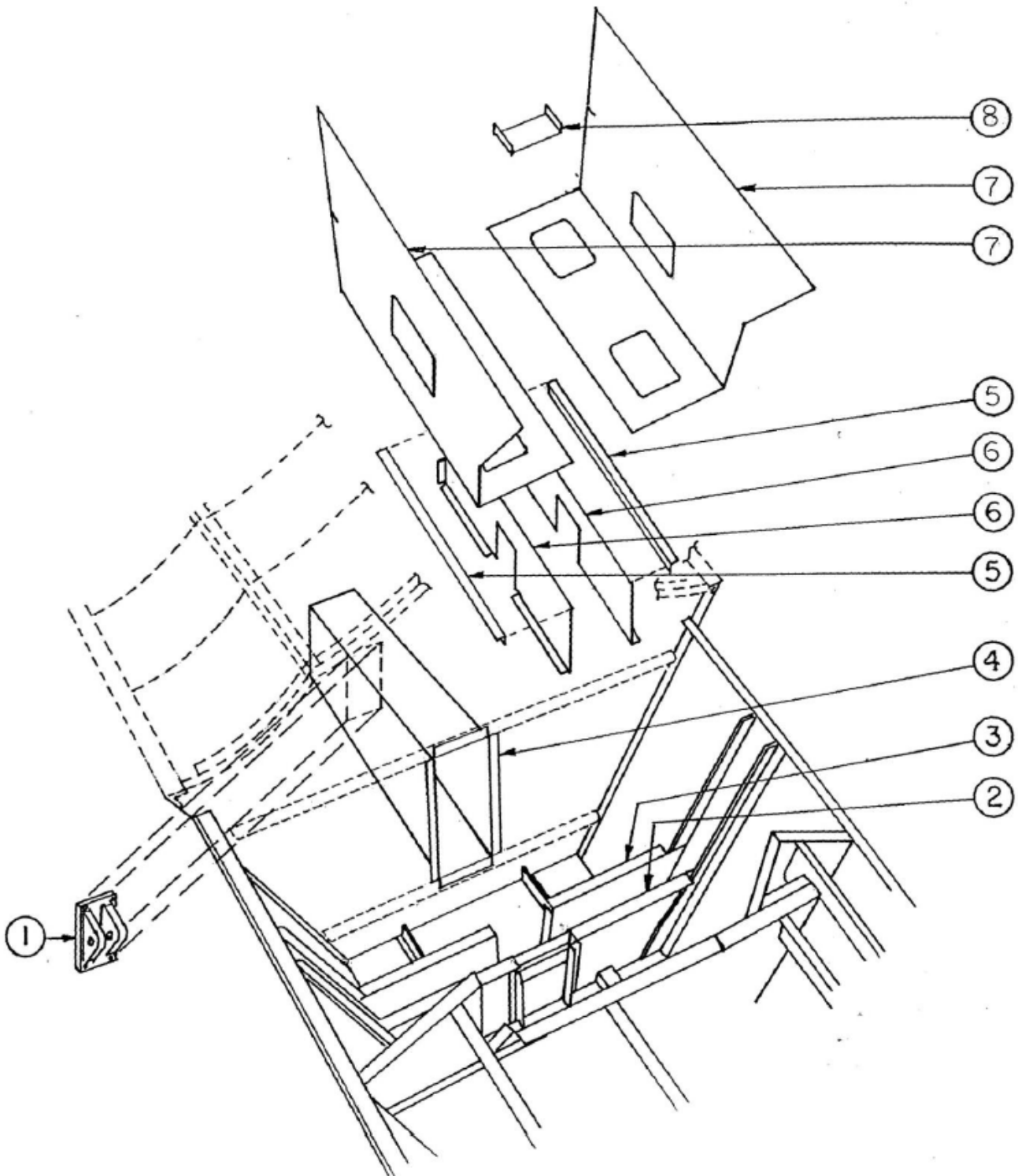
THIS PAGE INTENTIONALLY LEFT BLANK

SECTION 3 WHEEL WELL AREA

CONTENTS

WHEEL WELL AREA.....	32
----------------------	----

WHEEL WELL AREA



PARTS MANUAL FOR BONDED
WIPLINE MODEL 6000/6100 FLOATS S/N 61499 AND PRIOR ON DHC-2 MK I AND MK III

ITEM	QTY	PART NO.	PART DESCRIPTION
1	2	6A04000-054	ASS'Y., TRUNION MAIN GEAR
	4	08DU08	BEARING/BUSHING
2	1	6A01000-057	ASSY., RR. SPR. BAR PANEL AFT, LT.
	1	6A01000-056	ASSY., RR. SPR. BAR PANEL AFT, RT.
	1	6A01338-009	PANEL, RR. SPR. BAR, LT.
	1	6A01338-010	PANEL, RR. SPR. BAR, RT.
	1	6A01357-005	ANGLE, RR. SPR. BAR PANEL, LT.
	1	6A01357-006	ANGLE, RR. SPR. BAR PANEL, RT.
	2	6A01359-045	ANGLE, VERT. RR. SPR. BAR PANEL, LT.
	2	6A01359-046	ANGLE, VERT. RR. SPR. BAR PANEL, RT.
3	1	6A01000-055	ASS'Y., RR. SPR. BAR PANEL FWD, LT.
	1	6A01000-054	ASS'Y., RR. SPR. BAR PANEL FWD, RT.
	1	6A01338-005	PANEL, RR. SPR. BAR, FT. LT.
	1	6A01338-006	PANEL, RR. SPR. BAR, FT. RT.
	1	6A01357-007	ANGLE, RR. SPR. BAR PANEL, LT.
	1	6A01357-008	ANGLE, RR. SPR. BAR PANEL, RT.
	2	6A01359-045	ANGLE, VERT. RR. SPR. BAR PANEL, LT.
	2	6A01359-046	ANGLE, VERT. RR. SPR. BAR PANEL, RT.
4	1	6A01000-064	ASS'Y., TUNNEL
	1	6A01201-001	FTG., END CAP
	1	6A01005-054	COVER, TUNNEL
	1	6A01005-053	TUNNEL
	2	6A01340-015	ANGLE, TUNNEL
	1	6A01005-062	TOP, FWD
	1	6A01005-063	TOP, AFT
5	1	6A01359-049	ANGLE, WHEELWELL SUPPORT, LT.
	1	6A01359-050	ANGLE, WHEELWELL SUPPORT, RT.
6	1	6A01005-055	PANEL, WHEELWELL, VERT. LT.
	1	6A01005-056	PANEL, WHEELWELL, VERT. RT.
7	1	6A01000-065	ASS'Y., MAIN PANEL, WHEELWELL, LT.
	1	6A01000-066	ASS'Y., MAIN PANEL, WHEELWELL, RT.
	1	6A01158-152	COVER, INSPECTION, WHEELWELL, SM.
	1	6A01158-151	COVER, INSPECTION WHEELWELL, LG.
	1	6A01156-013	REINF., SM. COVER HOLE
	1	6A01156-014	REINF., LG. COVER HOLE
	1	6A01005-057	PANEL, WHEELWELL, LT.
	1	6A01005-058	PANEL, WHEELWELL, RT.
8	1	6A01005-061	COVER, WHEELWELL SPR. BAR

THIS PAGE INTENTIONALLY LEFT BLANK

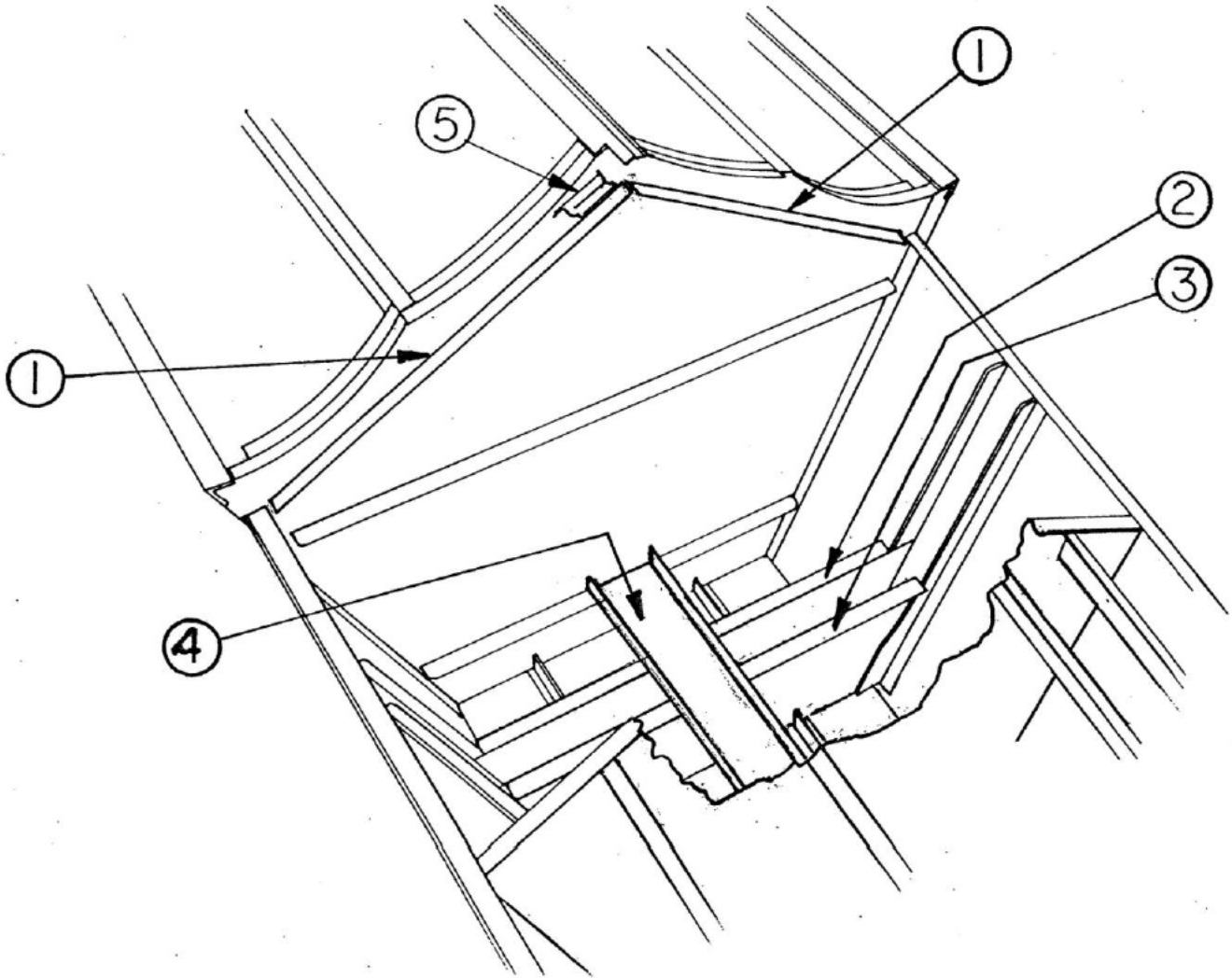
SECTION 4

STEP AREA – SEAPLANE

CONTENTS

STEP AREA - SEAPLANE	36
----------------------------	----

STEP AREA - SEAPLANE



PARTS MANUAL FOR BONDED
WIPLINE MODEL 6000/6100 FLOATS S/N 61499 AND PRIOR ON DHC-2 MK I AND MK III

ITEM	QTY	PART NO.	PART DESCRIPTION
1	1	6S01008-019	ANGLE, SKIN ATTACH, LOWER LT.
	1	6S01008-020	ANGLE, SKIN ATTACH, LOWER RT.
2	1	6S01000-059	ASS'Y., SPR. BAR PANEL, AFT, LT.
	1	6S01000-058	ASS'Y., SPR. BAR PANEL, AFT, RT.
	1	6S01338-007	PANEL, RR. SPR. BAR FT., LT.
	1	6S01338-008	PANEL, RR. SPR. BAR FT., RT.
	1	6A01357-007	ANGLE, SPR. BAR PANEL, AFT, LT.
	1	6A01357-008	ANGLE, SPR. BAR PANEL, AFT, RT.
	2	6A01359-045	ANGLE, VERT. SPR. BAR PANEL, AFT, LT.
	2	6A01359-046	ANGLE, VERT. SPR. BAR PANEL, AFT, RT.
3	1	6S01000-061	ASS'Y., SPR. BAR PANEL, AFT, LT.
	1	6S01000-060	ASS'Y., SPR. BAR PANEL, AFT, RT.
	1	6S01338-011	PANEL, SPR. BAR AFT, RR., LT.
	1	6S01338-012	PANEL, SPR. BAR AFT, RR., RT.
	1	6A01357-005	ANGLE, SPR. BAR PANEL, AFT, LT.
	1	6A01357-006	ANGLE, SPR. BAR PANEL, AFT, RT.
	2	6A01359-045	ANGLE, VERT. SPR. BAR PANEL, AFT, LT.
	2	6A01359-046	ANGLE, VERT. SPR. BAR PANEL, AFT, RT.
4	1	6S01155-003	CHANNEL, SUPPORT
5	1	6S01005-083	ANGLE, AB SKIN ATTACH UPR., LT.
	1	6S01005-082	ANGLE, AB SKIN ATTACH UPR., RT.

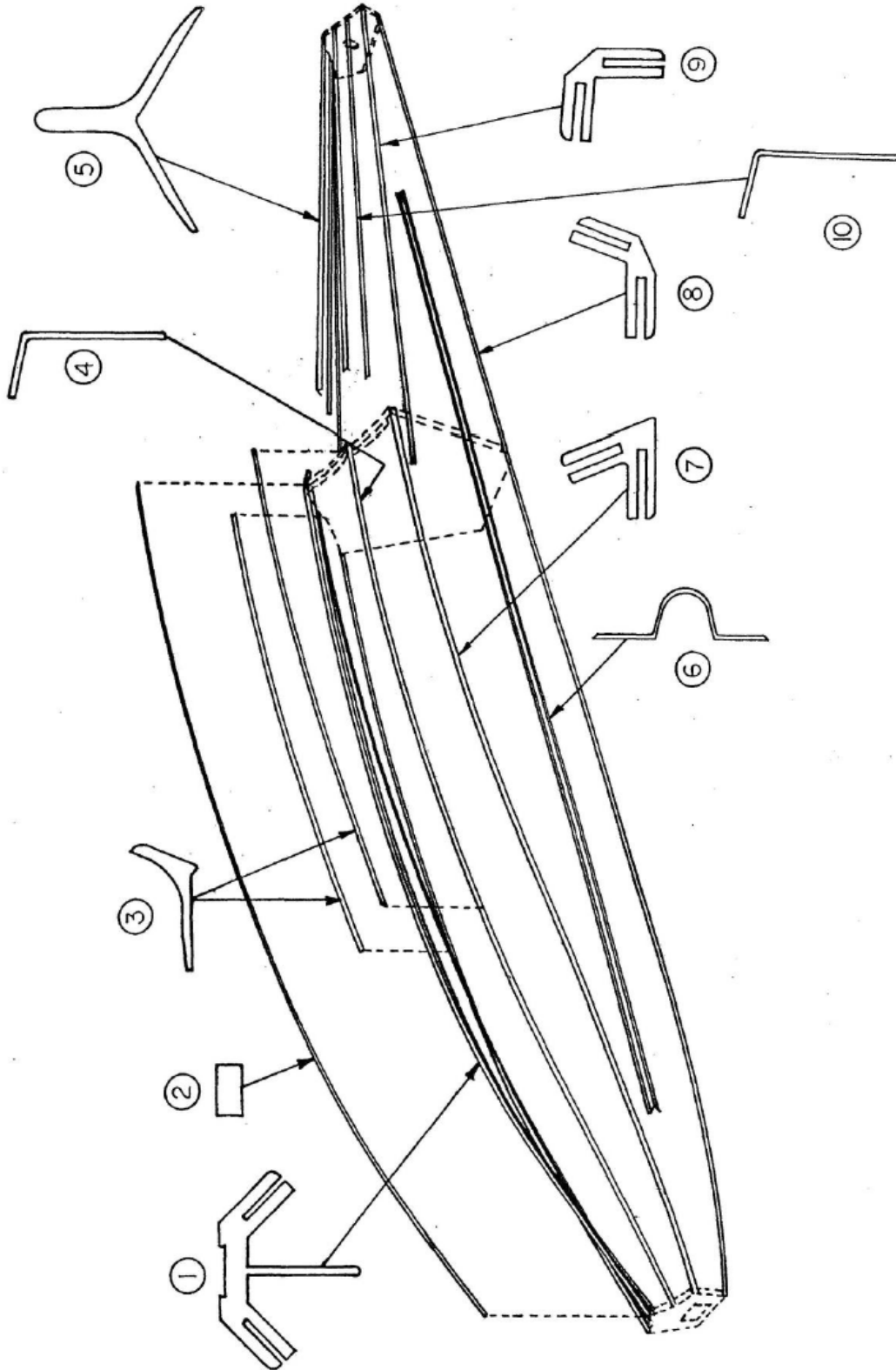
THIS PAGE INTENTIONALLY LEFT BLANK

SECTION 5 HULL EXTRUSIONS

CONTENTS

HULL EXTRUSIONS - AMPHIBIAN	40
HULL EXTRUSIONS - SEAPLANE.....	42

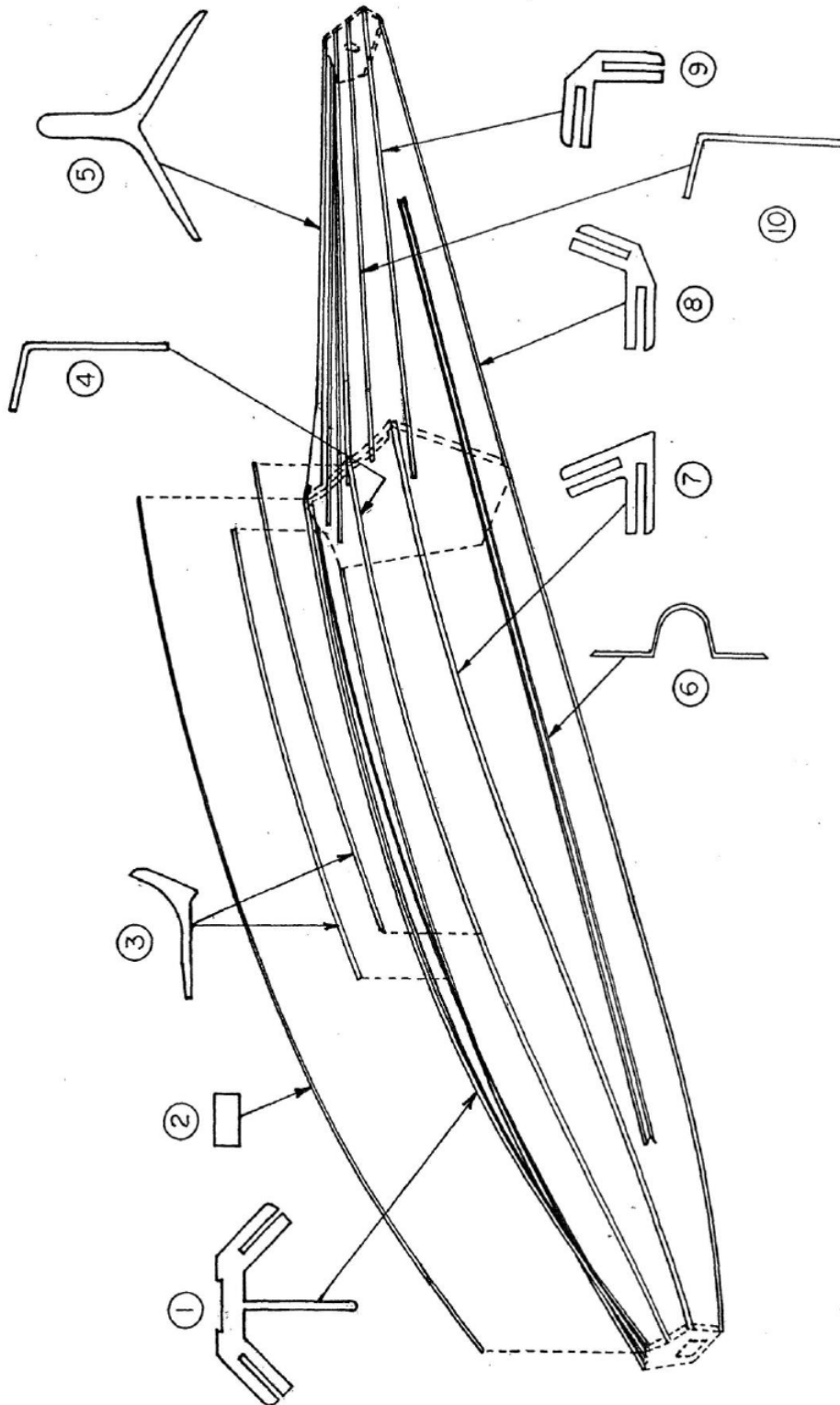
HULL EXTRUSIONS - AMPHIBIAN



PARTS MANUAL FOR BONDED
WIPLINE MODEL 6000/6100 FLOATS S/N 61499 AND PRIOR ON DHC-2 MK I AND MK III

ITEM	QTY	PART NO.	PART DESCRIPTION
1	1	6A01354-003	KEEL, MAIN
2	1	3A01200-001	WEAR STRIP, KEEL
3	1	6A01342-003	SISTER KEEL, OUTSIDE LT.
	1	6A01342-004	SISTER KEEL, OUTSIDE RT.
4	1	6A01361-005	SISTER KEEL, INSIDE, FWD. LT.
	1	6A01361-004	SISTER KEEL, INSIDE, FWD. RT.
5	1	6A01347-003	KEEL, AB
6	2	6A01353-005	STIFFENER, SIDE SKIN, LT
	2	6A01353-004	STIFFENER, SIDE SKIN, RT
7	1	6A01351-003	CHINE, FT., LT.
	1	6A01351-004	CHINE, FT., RT.
8	1	8A01366-005	GUNWALL, LT.
	1	6A01366-006	GUNWALL, RT.
9	1	6A01363-003	CHINE, AB, LT.
	1	6A01363-004	CHINE, AB, RT.
10	1	6A01361-007	SISTER KEEL, AB, INBD. LT.
	1	6A01361-006	SISTER KEEL, AB, INBD. RT.
	1	6A01361-009	SISTER KEEL, AB, OTBD. LT.
	1	6A01361-008	SISTER KEEL, AB, OTBD. RT.

HULL EXTRUSIONS - SEAPLANE



PARTS MANUAL FOR BONDED
WIPLINE MODEL 6000/6100 FLOATS S/N 61499 AND PRIOR ON DHC-2 MK I AND MK III

ITEM	QTY	PART NO.	PART DESCRIPTION
1	1	6S01354-004	KEEL, MAIN
2	1	3A01200-001	WEAR STRIP, KEEL
3	1	6A01342-003	SISTER KEEL, OUTSIDE LT.
	1	6A01342-004	SISTER KEEL, OUTSIDE RT.
4	1	6A01361-005	SISTER KEEL, INSIDE, FWD. LT.
	1	6A01361-004	SISTER KEEL, INSIDE, FWD. RT.
5	1	6S01347-004	KEEL, AB
6	2	6A01353-005	STIFFENER, SIDE SKIN, LT
	2	6A01353-004	STIFFENER, SIDE SKIN, RT
7	1	6A01351-003	CHINE, FT., LT.
	1	6A01351-004	CHINE, FT., RT.
8	1	8A01366-005	GUNWALL, LT.
	1	8A01366-006	GUNWALL, RT.
9	1	6A01363-003	CHINE, AB, LT.
	1	6A01363-004	CHINE, AB, RT.
10	2	6S01361-011	SISTER KEEL, AB, INBD. LT.
	2	6S01361-010	SISTER KEEL, AB, INBD. RT.

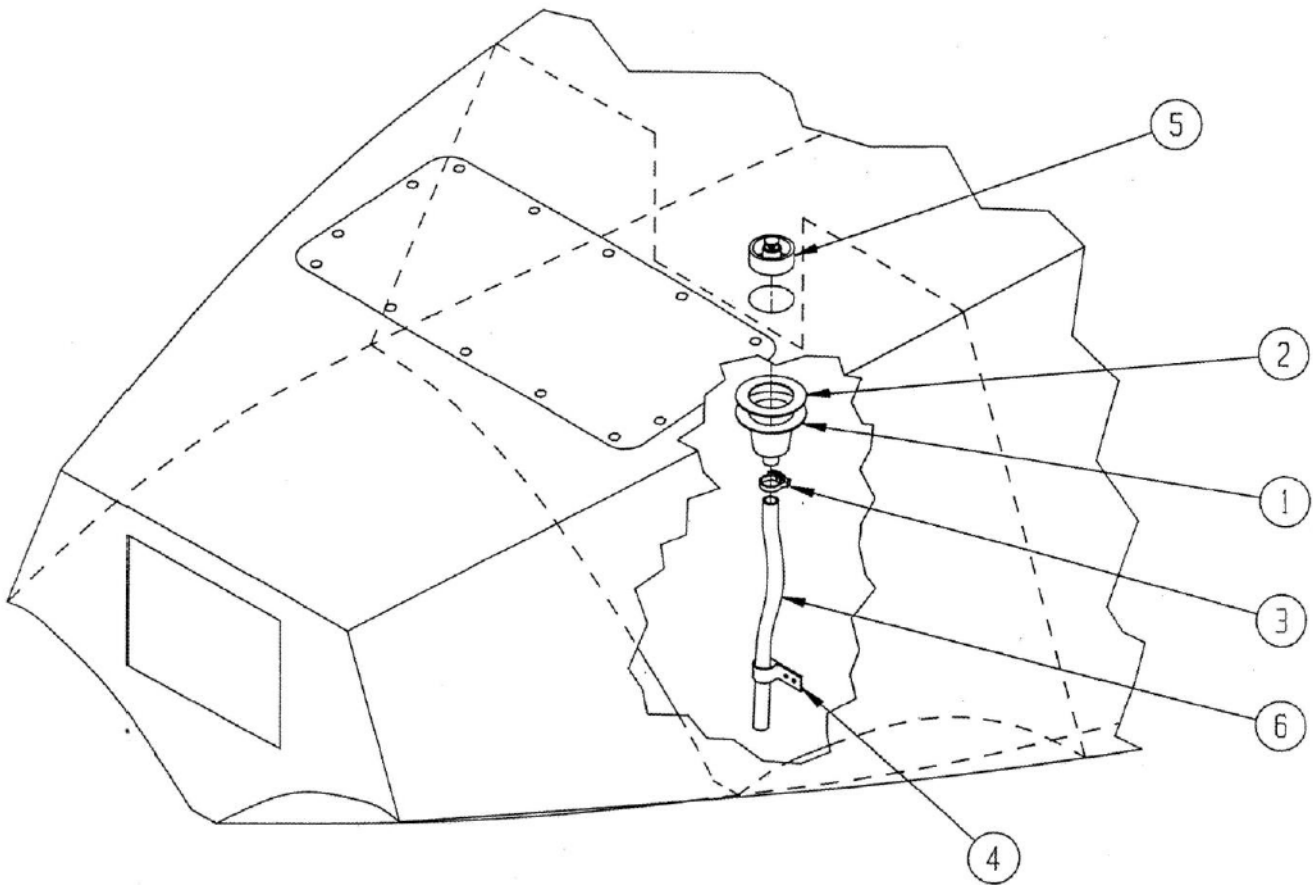
THIS PAGE INTENTIONALLY LEFT BLANK

SECTION 6 PUMPER TUBE

CONTENTS

PUMPER TUBE.....	46
------------------	----

PUMPER TUBE



PARTS MANUAL FOR BONDED
WIPLINE MODEL 6000/6100 FLOATS S/N 61499 AND PRIOR ON DHC-2 MK I AND MK III

ITEM	QTY	PART NO.	PART DESCRIPTION
1	1	3A01650-002	CUP, PUMP OUT (OLD STYLE)
	1	1011004	ASSEMBLY, CUP, PUMPOUT, DUCKBILL (NEW STYLE)
	1	4A01749-001	CUP, PUMP OUT
	1	1011808	RETAINER, VALVE, DUCKBILL, PUMPOUT PLUG
2	1	3A01158-005	RING, REINF. PUMP OUT CUP
3	1	57134	CLAMP, UPPER END
4	1	3A01158-003	CLAMP, LOWER END
5	1	3A01000-023	ASSY. STOPPER PUMPER CUP (OLD STYLE)
	1	1011870	VALVE, DUCKBILL (NEW STYLE)
	1	2111	STOPPER (OLD STYLE)
6	1	6A01618-019	PUMPER TUBE, 12", #17
	1	6A01618-018	PUMPER TUBE, 15 1/2", #16
	1	6A01618-017	PUMPER TUBE, 19", #15
	1	6A01618-016	PUMPER TUBE, 22 1/2", #14
	1	6A01618-014	PUMPER TUBE, 23 1/2", STN WW.
	1	6A01618-010	PUMPER TUBE, 25 3/4", #5
	1	6A01618-015	PUMPER TUBE, 27 1/2", #13
	1	6A01618-011	PUMPER TUBE, 31", #9
	1	6A01618-012	PUMPER TUBE, 31 1/2", #11
	1	6A01618-013	PUMPER TUBE, 32 1/2", #9 AND STEP

THIS PAGE INTENTIONALLY LEFT BLANK

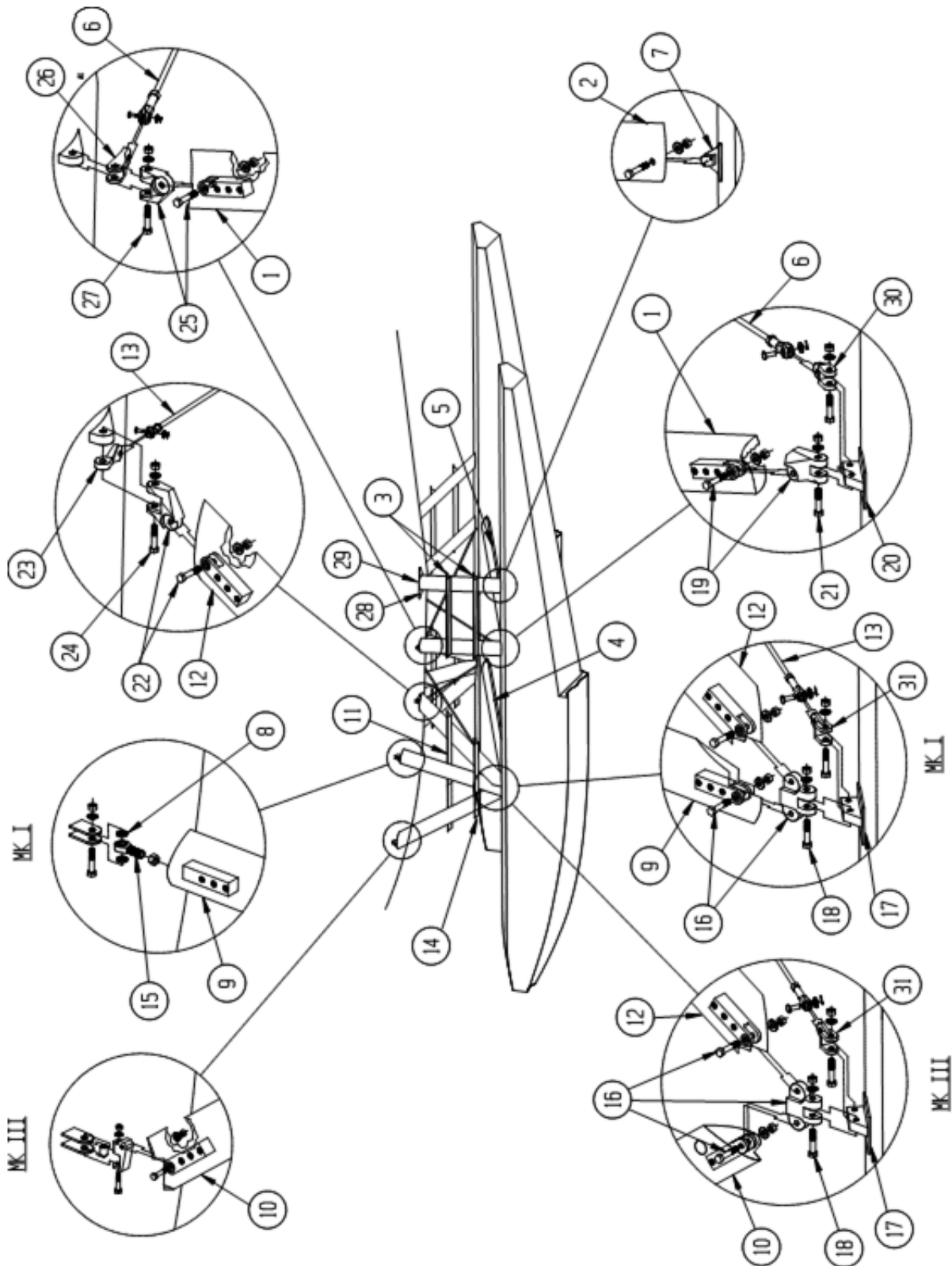
SECTION 7

STRUTS, STEPS, & SPREADER BARS

CONTENTS

STRUTS AND STEPS INSTALLATION	50
AFT SPREADER BAR ASSEMBLY	56
FWD SPREADER BAR ASSEMBLY	58

STRUTS AND STEPS INSTALLATION



PARTS MANUAL FOR BONDED
WIPLINE MODEL 6000/6100 FLOATS S/N 61499 AND PRIOR ON DHC-2 MK I AND MK III

ITEM	QTY	PART NO.	PART DESCRIPTION
1 LT.	-	6A02000-023	ASS'Y., RR. STRUT, LT.
	1	6A02356-013	STRUT, RR., LT.
	1	6A02198-001	FTG., RR. STRUT
	16	MS24694S145	SCREW 5/16-24 UNF X 0.858 FLT HD 100° CTRSK
1 RT.	-	6A02000-024	ASS'Y., RR. STRUT, RT.
	1	6A02356-014	STRUT, RR., RT.
	1	6A02198-001	FTG., RR. STRUT
	16	MS24694S145	SCREW 5/16-24 UNF X 0.858 FLT HD 100° CTRSK
2	1	6A02334-001	STEP STRUT, LT.
	1	6A02334-002	STEP STRUT, RT.
	4	AN4-17A	BOLT, 1/4-28 THREAD, 1-7/16" GRIP, 1-29/32" LENGTH
	8	NAS1149F0432P	WASHER, 0.265 ID, 0.032 THK, STEEL
	4	MS21044N4	NUT, LOCKING, REGULAR HEIGHT, 1/4-28 UNF
3	2	6A02368-007	STEP, RR., LT.
	2	6A02368-008	STEP, RR., RT.
	4	AN3-17A	BOLT, 10-32, 1.5 GRIP, UNDRILLED, STEEL
	4	AN960-10	WASHER
	4	MS21044N3	NUT, LOCKING, REGULAR HEIGHT, 10-32 UNF
4	1	6A03000-024	ASS'Y., SPR. BAR, FT.
5	1	6A03000-007	ASS'Y., SPR. BAR, AFT
6	-	6A02000-027	ASS'Y., FLY WIRE, AFT
	1	AN665-202LS*	TERMINAL, TIE ROD, CLEVIS KIT, RT. STAINLESS STEEL
	1	AN316C9R*	NUT, STAINLESS STEEL
	1	AN665-202RS*	TERMINAL, TIE ROD, CLEVIS KIT, LT. STAINLESS STEEL
	1	AN316C9L*	NUT, STAINLESS STEEL
	2	MS20392-8C31 SPZP15MOD*	PIN, CLEVIS, 9/16" DIA, 31/32" GRIP, ALLOY STEEL
	2	NAS1149F0963P	WASHER, AIRFRAME, CARBON STEEL, TO FIT DIA 9/16"
	2	MS24665-444	COTTER PIN
	1	AN679AC-7475	FLY WIRE 74.75 IN
7	-	6A02000-126	ASS'Y. FITTING, STEP STRUT, RT.
	-	6A02000-125	ASS'Y. FITTING, STEP STRUT, LT.
	1	6A02231-002	FITTING, STEP STRUT, LOWER, RT.
	1	6A02231-001	FITTING, STEP STRUT, LOWER, LT.
	4	6A02607-001	SPACER
	4	1001922	ROLL PIN
	8	AN3-7A	BOLT, 10-32, 0.5 GRIP, UNDRILLED, STEEL
	16	NAS1149F0332P	WASHER, 0.203 ID, 0.032 THK, STEEL
	8	MS21044N3	NUT, LOCKING, REGULAR HEIGHT, 10-32 UNF
	2	6A01156-018	BRACKET, STEP STRUT, TOP SKIN
	2	6A01003-020	SPACER, BRACKET, STEP STRUT, TOP SKIN

PARTS MANUAL FOR BONDED
WIPLINE MODEL 6000/6100 FLOATS S/N 61499 AND PRIOR ON DHC-2 MK I AND MK III

ITEM	QTY	PART NO.	PART DESCRIPTION
8	4	6A02262-002	BUSHING, FT. STRUT, ROD END
9 LT.	-	6A02000-029	ASS'Y., FT. STRUT, LT. (MK I)
	1	6A02356-017	STRUT, FT., LT.
	1	6A02198-003	FTG., FT. STRUT, LWR. END
	1	6A02198-004	FTG., FT. STRUT, UPR. END
	6	MS24694S145	SCREW 5/16-24 UNF X 0.858 FLT HD 100° CTRSK
9 RT.	-	6A02000-030	ASS'Y., FT. STRUT, RT. (MK I)
	1	6A02356-018	STRUT, FT., RT.
	1	6A02198-003	FTG., FT. STRUT, LWR. END
	1	6A02198-004	FTG., FT. STRUT, UPR. END
	6	MS24694S145	SCREW 5/16-24 UNF X 0.858 FLT HD 100° CTRSK
10 LT.	-	6A02000-031	ASS'Y., FT. STRUT, LT. (MK III)
	1	6A02356-019	STRUT, FT., LT.
	1	6A02198-003	FTG., FT. STRUT, LWR. END
	1	6A02198-002	FTG., FT. STRUT, UPR. END
	12	MS24694S145	SCREW 5/16-24 UNF X 0.858 FLT HD 100° CTRSK
	1	6A02204-002	FTG., CLEVIS, FT. STRUT, UPR. END
	1	6A02273-003	BUSHING, CLEVIS ATTACH
	2	AN6-32A	BOLT, 3/8-24 THREAD, 2-11/16" GRIP, 3-21/64 LENGTH
	2	NAS1149F0663P	WASHER, 0.39 ID, 0.063 THK, STEEL
	2	MS21044N6	NUT, LOCKING, REGULAR HEIGHT, 3/8-24 UNF
10 RT.	-	6A02000-032	ASS'Y., FT. STRUT, RT. (MK III)
	1	6A02356-020	STRUT, FT., RT.
	1	6A02198-003	FTG., FT. STRUT, LWR. END
	1	6A02198-002	FTG., FT. STRUT, UPR. END
	12	MS24694S145	SCREW 5/16-24 UNF X 0.858 FLT HD 100° CTRSK
	1	6A02204-002	FTG., CLEVIS, FT. STRUT, UPR. END
	1	6A02273-003	BUSHING, CLEVIS ATTACH
	2	AN6-32A	BOLT, 3/8-24 THREAD, 2-11/16" GRIP, 3-21/64 LENGTH
	2	NAS1149F0663P	WASHER, 0.39 ID, 0.063 THK, STEEL
	2	MS21044N6	NUT, LOCKING, REGULAR HEIGHT, 3/8-24 UNF
11	1	6A02368-005	STEP, UPR. FT. LT. (MK I)
	1	6A02368-006	STEP, UPR. FT. RT. (MK I)
	4	6A02273-006	SPACER
	4	AN3-24A	BOLT, 10-32 THREAD, 2-1/8" GRIP, 2-17/32" LENGTH
	4	NAS1149F0363P	WASHER, 0.203 ID, 0.063 THK, STEEL
	4	MS21044N4	NUT, LOCKING, REGULAR HEIGHT, 1/4-28 UNF
12 LT.	-	6A02000-033	ASS'Y., STRUT CTR. LT.
	1	6A02356-021	STRUT, CTR. LT.
	1	6A02198-003	FTG., CTR. STRUT LWR.
	1	6A02198-003	FTG., CTR. STRUT UPR.

PARTS MANUAL FOR BONDED

WIPLINE MODEL 6000/6100 FLOATS S/N 61499 AND PRIOR ON DHC-2 MK I AND MK III

ITEM	QTY	PART NO.	PART DESCRIPTION
	12	MS24694S145	SCREW 5/16-24 UNF X 0.858 FLT HD 100° CTRSK
12 RT.	-	6A02000-034	ASS'Y., STRUT CTR. RT.
	1	6A02356-022	STRUT, CTR. RT.
	1	6A02198-003	FTG., CTR. STRUT LWR.
	1	6A02198-003	FTG., CTR. STRUT UPR.
	12	MS24694S145	SCREW 5/16-24 UNF X 0.858 FLT HD 100° CTRSK
13	2	6A02000-028	ASS'Y., FLY WIRE, FWD.
	2	AN665-115RS*	TERMINAL
	2	AN665-115LS*	TERMINAL
	2	AN316C7L*	NUT, JAM (STAINLESS)
	2	AN316C7R* SP4ZK11MOD *	NUT, JAM (STAINLESS) CLEVIS PIN, SS (MS20392-6P25) - 7/8" DIAMETER
	4	MS20392-6C25	PIN, CLEVIS
	4	NAS1149F0763P	WASHER, 0.453 ID, 0.063 THK, STEEL
	4	MS24665-300	COTTER PIN
14	1	6A02368-001	STEP, LWR. FT. LT. (MK I)
	1	6A02368-002	STEP, LWR. FT. RT. (MK I)
	1	6A02368-003	STEP, LWR. FT., LT. (MK III)
	1	6A02368-004	STEP, LWR. FT., RT. (MK III)
	4	AN3-24A	BOLT, 10-32 THREAD, 2-1/8" GRIP, 2-17/32" LENGTH
	4	NAS1149F0363P	WASHER, 0.203 ID, 0.063 THK, STEEL
	4	MS21044N4	NUT, LOCKING, REGULAR HEIGHT, 1/4-28 UNF
15	2	HMX10G	ROD END, UPR., FT. STRUT (MK I)
	2	AN924-80	JAM NUT
	2	AN6-17A	BOLT, 3/8-24, 1.3125 GRIP, UNDRILLED, STEEL
	2	NAS1149F0663P	WASHER, 0.39 ID, 0.063 THK, STEEL
	2	MS21044N6	NUT, LOCKING, REGULAR HEIGHT, 3/8-24 UNF
16	1	6A02187-002	JOINT, FT. STRUT LWR., RT.
	1	6A02187-003	JOINT, FT. STRUT LWR., LT.
	4	AN8-22A	BOLT, 1/2-20, 1.5625 GRIP, UNDRILLED, STEEL
	8	NAS1149F0863P	WASHER, CARBON STEEL, TO FIT DIA 1/2"
	4	MS21044N8	NUT, LOCKING, REGULAR HEIGHT, 1/2-20 UNF
17	2	6A02362-007	FTG., FLOAT DECK FWD.
	2	AN6-10A	BOLT, 3/8-24 THREAD, 7/16" GRIP, 1-5/64" LENGTH
	6	AN3-7A	BOLT, 10-32, 0.5 GRIP, UNDRILLED, STEEL
	6	MS21044N3	NUT, LOCKING, REGULAR HEIGHT, 10-32 UNF
	1	MS21044N6	NUT, LOCKING, REGULAR HEIGHT, 3/8-24 UNF
	4	NAS1149D0663J	WASHER, 0.39 ID, 0.063 THK
	12	NAS1149D0363J	WASHER, 0.203 ID, 0.063 THK
18	2	AN9-32A	BOLT, 9/16-18 THREAD, 2-1/2" GRIP, 3-13/32" LENGTH
	2	NAS1149F0963P	WASHER, CARBON STEEL, TO FIT DIA 9/16"

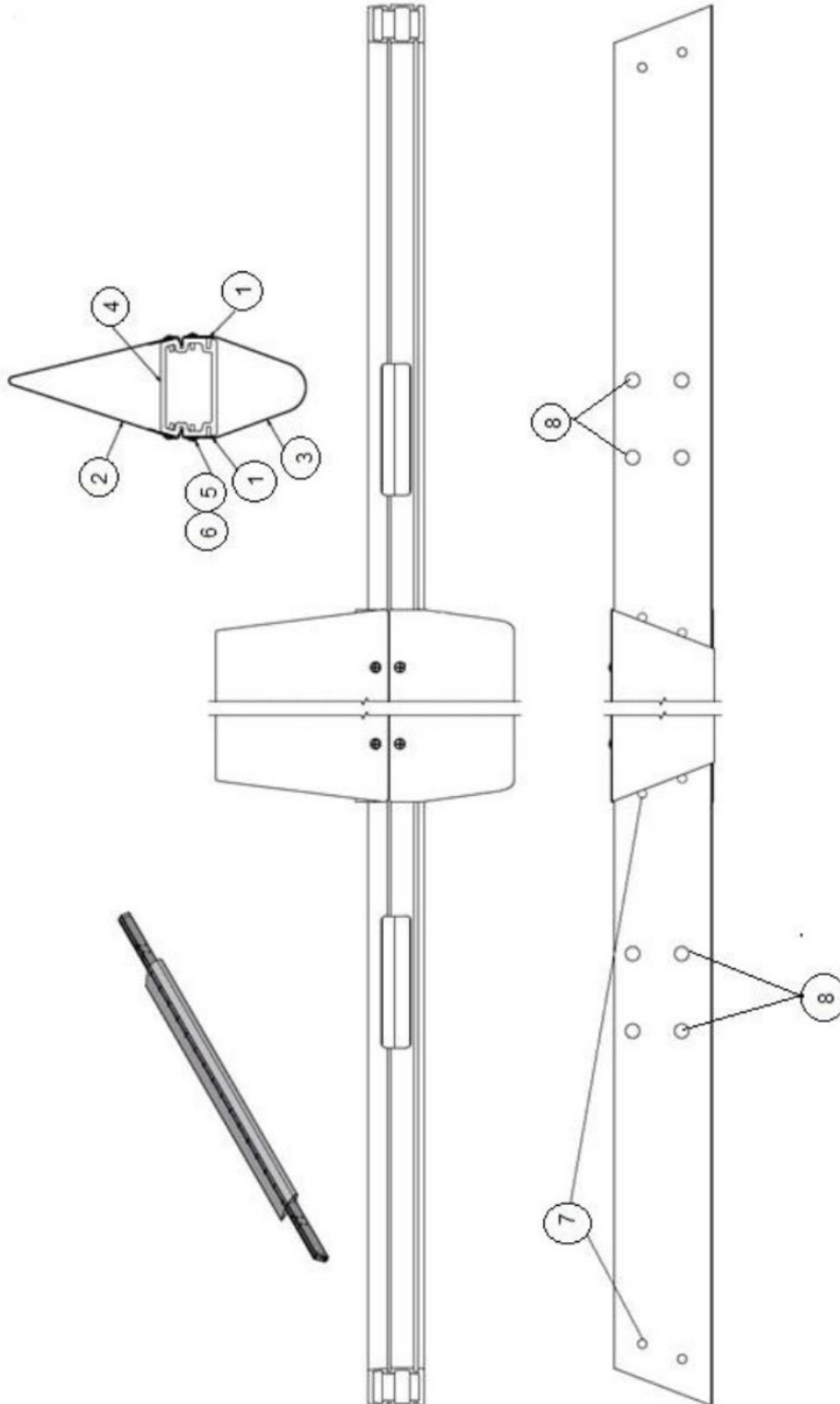
PARTS MANUAL FOR BONDED
WIPLINE MODEL 6000/6100 FLOATS S/N 61499 AND PRIOR ON DHC-2 MK I AND MK III

ITEM	QTY	PART NO.	PART DESCRIPTION
	2	MS21044N9	NUT, LOCKING, REGULAR HEIGHT, 9/16-18 UNF
19	1	6A02187-004	JOINT, RR. STRUT, LWR. RT.
	1	6A02187-005	JOINT, RR. STRUT, LWR. LT.
	2	AN9-22A	BOLT, 9/16-18 THREAD, 1-1/2" GRIP, 2-7/16" LENGTH
	2	NAS1149F0963P	WASHER, AIRFRAME, CARBON STEEL, TO FIT DIA 9/16"
	2	MS21044N9	NUT, LOCKING, REGULAR HEIGHT, 9/16-18 UNF
20	1	6A02362-007	FTG., FLOAT DECK AFT (AMPHIB.)
	1	6S02362-008	FTG., FLOAT DECK AFT (SEAPLANE)
	2	AN6-10A	BOLT, 3/8-24 THREAD, 7/16" GRIP, 1-5/64" LENGTH
	6	AN3-7A	BOLT, 10-32, 0.5 GRIP, UNDRILLED, STEEL
	6	MS21044N3	NUT, LOCKING, REGULAR HEIGHT, 10-32 UNF
	1	MS21044N6	NUT, LOCKING, REGULAR HEIGHT, 3/8-24 UNF
	4	NAS1149D0663J	WASHER, 0.39 ID, 0.063 THK
	12	NAS1149D0363J	WASHER, 0.203 ID, 0.063 THK
21	2	AN9-32A	BOLT, 9/16-18 THREAD, 2-1/2" GRIP, 3-13/32" LENGTH
	2	NAS1149F0963P	WASHER, AIRFRAME, CARBON STEEL, TO FIT DIA 9/16"
	2	MS21044N9	NUT, LOCKING, REGULAR HEIGHT, 9/16-18 UNF
22	2	6A02187-006	FTG., CTR. STRUT, UPR.
	2	6A02262-001	BUSHING, STRUT FWD. UPPER
	2	AN8-22A	BOLT, 1/2-20, 1.5625 GRIP, UNDRILLED, STEEL
	2	NAS1149F0863P	WASHER, CARBON STEEL, TO FIT DIA 1/2"
	2	MS21044N8	NUT, LOCKING, REGULAR HEIGHT, 1/2-20 UNF
23	1	6A02056-003	CLEVIS, BRACE WIRE, FT. LT.
	1	6A02056-004	CLEVIS, BRACE WIRE, FT. RT.
24	2	AN10-40A	BOLT, 5/8-18 THREAD, 3-3/16" GRIP, 4-9/64" LENGTH
	2	NAS1149F1063P	WASHER, 0.64 ID, 0.063 THK, STEEL
	2	MS21044N10	NUT, LOCKING, REGULAR HEIGHT, 5/8-18 UNF
25	2	6A02187-001	FTG., RR. STRUT, UPR. END
	2	AN9-22A	BOLT, 9/16-18 THREAD, 1-1/2" GRIP, 2-7/16" LENGTH
	2	NAS1149F0963P	WASHER, AIRFRAME, CARBON STEEL, TO FIT DIA 9/16"
	2	MS21044N9	NUT, LOCKING, REGULAR HEIGHT, 9/16-18 UNF
26	1	6A02056-001	CLEVIS, BRACE WIRE, RR. LT.
	1	6A02059-002	CLEVIS, BRACE WIRE, RR. RT.
27	2	AN10-40A	BOLT, 5/8-18 THREAD, 3-3/16" GRIP, 4-9/64" LENGTH
	2	NAS1149F1063P	WASHER, 0.64 ID, 0.063 THK, STEEL
	2	MS21044N10	NUT, LOCKING, REGULAR HEIGHT, 5/8-18 UNF
28	1	6A02426-002	BRKT., STEP STRUT, RT.
	1	6A02426-001	BRKT., STEP STRUT, LT.
	4	AN4-5A	BOLT, 1/4-28, 0.1875 GRIP, UNDRILLED, STEEL
	4	NAS1149F0432P	WASHER, 0.265 ID, 0.032 THK, STEEL
	4	MS21044N4	NUT, LOCKING, REGULAR HEIGHT, 1/4-28 UNF

PARTS MANUAL FOR BONDED
WIPLINE MODEL 6000/6100 FLOATS S/N 61499 AND PRIOR ON DHC-2 MK I AND MK III

ITEM	QTY	PART NO.	PART DESCRIPTION
29	4	6A02606-003	STEP STRUT BUSHING
	2	AN4-17A	BOLT, 1/4-28 THREAD, 1-7/16" GRIP, 1-29/32" LENGTH
	4	NAS1149F0432P	WASHER, 0.265 ID, 0.032 THK, STEEL
	2	MS21044N4	NUT, LOCKING, REGULAR HEIGHT, 1/4-28 UNF
30	2	6A02046-004	FTG., CLEVIS BRACE WIRE AFT, LWR., RT. & LT.
	2	AN8-26A	BOLT, 1/2-20, 2.0625 GRIP, UNDRILLED, STEEL
	4	NAS1149C0863R	WASHER, CORROSION RESISTANT, TO FIT DIA 1/2"
	2	MS21044N8	NUT, LOCKING, REGULAR HEIGHT, 1/2-20 UNF
31	2	6A02063-002	FTG., CLEVIS BRACE WIRE FWD., LWR., RT. & LT.
	2	AN28-34A	CLEVIS BOLT
	2	MS21083N8	NUT, SELFLOCKING, 1/2-20 THREAD, LOW HEIGHT, STEEL, NYLON INSERT, 250 DEG.
	2	NAS1149F0863P	WASHER, CARBON STEEL, TO FIT DIA 1/2"

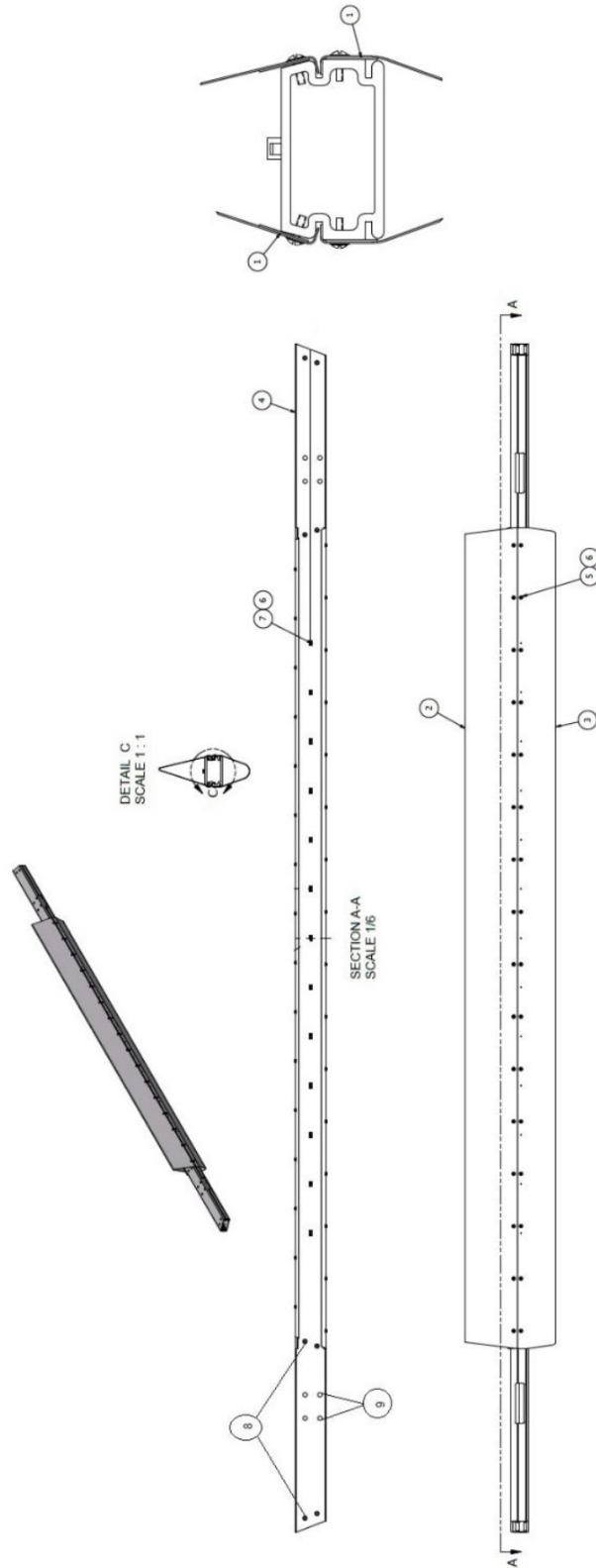
AFT SPREADER BAR ASSEMBLY



PARTS MANUAL FOR BONDED
WIPLINE MODEL 6000/6100 FLOATS S/N 61499 AND PRIOR ON DHC-2 MK I AND MK III

ITEM	QTY	PART NO.	PART DESCRIPTION
-	1	6A03000-007	ASSY., SPR. BAR WITH FAIRINGS, AFT
1	8	6A03005-179	FILLER STRIP, FAIRING
2	1	6A03158-028	FAIRING, SPREADER BAR REAR
3	1	6A03158-029	FAIRING, SPREADER BAR FRONT
4	1	6A03358-001	SPREADER BAR
5	64	AN526C632R8	SCREW, 6-32 THREAD, 1/2" LENGTH, CORROSION RESISTANT
6	64	NAS1149FN616P	WASHER, 0.149 ID, 0.016 THK, STEEL
7	8	6A03702-009	BOLT, SPREADER BAR MODIFIED
8	8	AN8-31A	BOLT, 1/2-20 THREAD, 2-7/16" GRIP, 3-7/32" LENGTH
	8	NAS1149D0863J	WASHER, 0.515 ID, 0.063 THK, ALUMINUM
	12	MS21044N8	NUT, LOCKING, REGULAR HEIGHT, 1/2-20 UNF

FWD SPREADER BAR ASSEMBLY



PARTS MANUAL FOR BONDED
WIPLINE MODEL 6000/6100 FLOATS S/N 61499 AND PRIOR ON DHC-2 MK I AND MK III

ITEM	QTY	PART NO.	PART DESCRIPTION
-	1	6A03000-024	ASSY., SPR. BAR WITH FAIRINGS, FWD
1	8	6A03005-179	FILLER STRIP, FAIRING
2	1	6A03158-028	FAIRING, SPREADER BAR REAR
3	1	6A03158-029	FAIRING, SPREADER BAR FRONT
4	1	6A03358-001	SPREADER BAR
5	13	AAPQ-43	RIVET
	64	AN526C632R8	SCREW, 6-32 THREAD, 1/2" LENGTH CORROSION RESISTANT
6	64	NAS1149FN616P	WASHER, 0.149 ID, 0.016 THK, STEEL
7	13	TM2S6-M	TIE CLIP
8	8	6A03702-009	BOLT, SPREADER BAR MODIFIED
9	8	AN8-31A	BOLT, 1/2-20 THREAD, 2-7/16" GRIP, 3-7/32" LENGTH
	8	NAS1149D0863J	WASHER, 0.515 ID, 0.063 THK, ALUMINUM
	12	MS21044N8	NUT, LOCKING, REGULAR HEIGHT, 1/2-20 UNF

THIS PAGE INTENTIONALLY LEFT BLANK

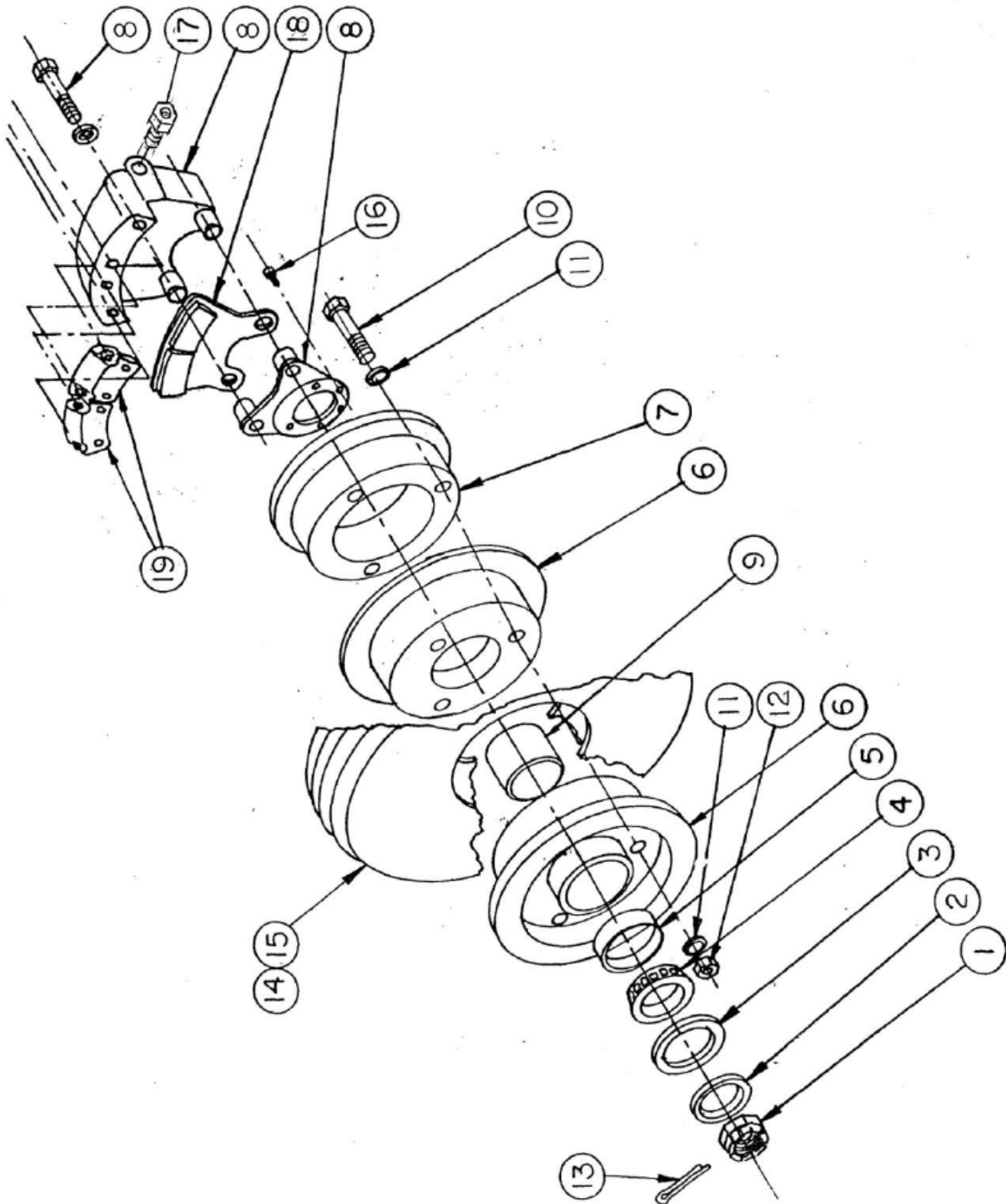
SECTION 8

LANDING GEAR

CONTENTS

MCCAULEY MAIN GEAR WHEEL ASSEMBLY	62
CLEVELAND/PARKER MAIN GEAR WHEEL ASSEMBLY	64
MAIN GEAR AXLE ASSEMBLY	67
OLEO SHOCK STRUT ASS'Y (O-RINGS INSTALLED) OLD VERSION	69
OLEO SHOCK STRUT ASS'Y (T-SEALS INSTALLED) NEW VERSION.....	71
MAIN GEAR SLIDE TUBE ASS'Y (O-RINGS INSTALLED) OLD VERSION	73
MAIN GEAR SLIDE TUBE ASS'Y (T-SEALS INSTALLED) NEW VERSION.....	76
NOSE FORK AND PIVOT ASSEMBLY, LOWER END	79
NOSE WHEEL ASSEMBLY WITHOUT TIRE.....	81
NOSE GEAR RETRACTION ASSEMBLY, UPPER END (O-RINGS INSTALLED).....	83
NOSE GEAR RETRACTION ASSEMBLY, UPPER END (T-SEALS INSTALLED)	86

MCCAULEY MAIN GEAR WHEEL ASSEMBLY

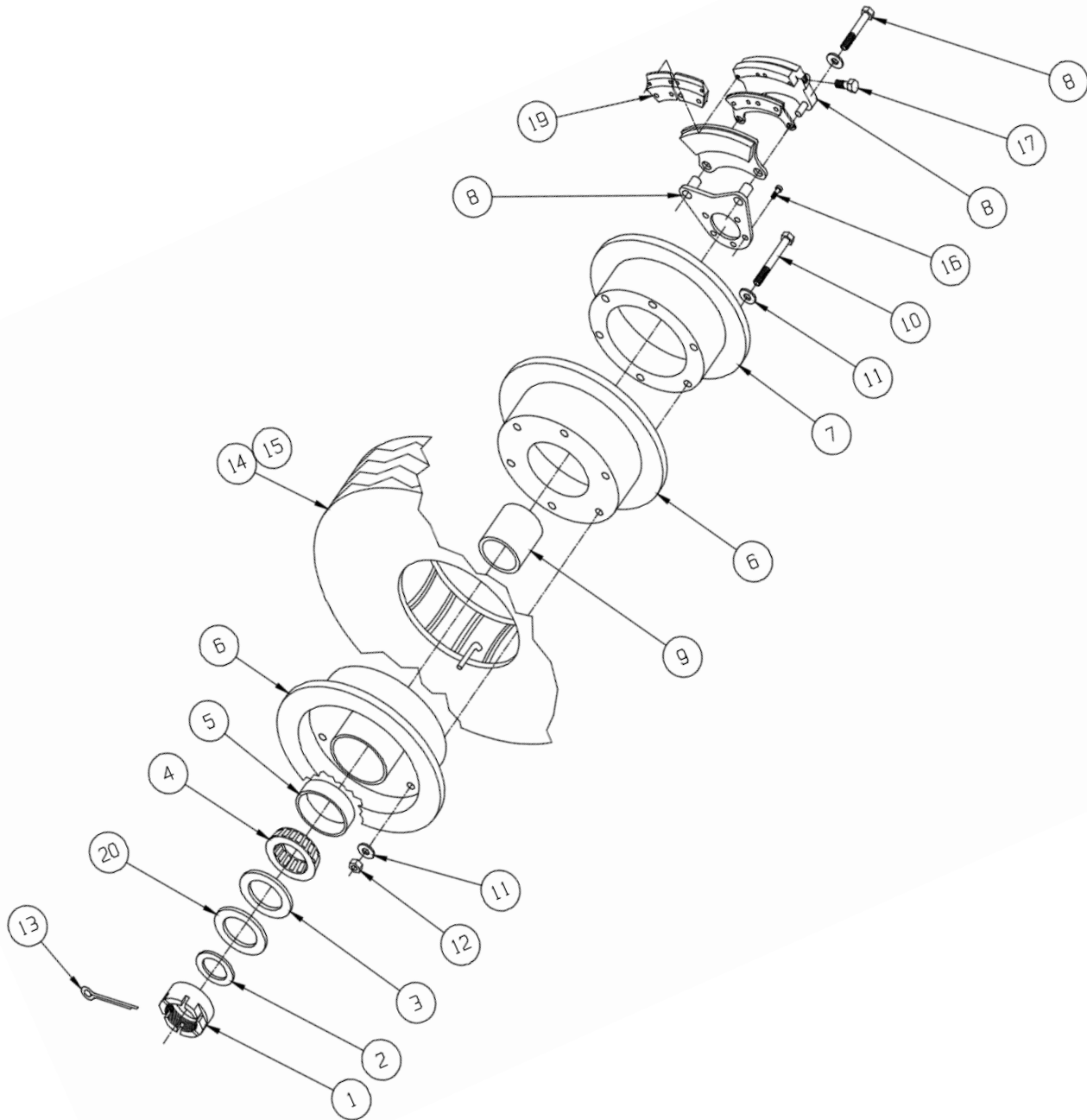


PARTS MANUAL FOR BONDED
WIPLINE MODEL 6000/6100 FLOATS S/N 61499 AND PRIOR ON DHC-2 MK I AND MK III

ITEM	QTY	PART NO.	PART DESCRIPTION
1	1	MS21025-24	NUT, AXLE
2	1	6A04093-002	SPACER, MAIN GEAR AXLE
3	1	472439	SEAL, OUTSIDE
	1	473232	SEAL, INSIDE
4	2	LM29749	BEARING CONE, INSIDE AND OUTSIDE
	2	LM29710CP	BEARING CONE, CHROME PLATED (OPT.)
5	2	LM29710	BEARING CUP, INSIDE AND OUTSIDE
	2	LM29710CP	BEARING CUP, CHROME PLATED (OPT.)
6	1	D-30660-05 (40-418)	ASS'Y. WHEEL, COMPLETE
7	1	164-30615-3	BRAKE DISC
8	1	D-30793-3 (30-241)	ASS'Y. BRAKE, COMPLETE LT.
	1	D-30793-4 (30-241)	ASS'Y. BRAKE, COMPLETE RT.
	1	075-30107-1	BRAKE TORQUE PLATE
	1	075-30107-2	BRAKE TORQUE PLATE
	4	066-30026	BRAKE PADS
	8	105-00200	RIVETS
	4	AN4H21A	BOLT, 1/4-28 THREAD, 1-11/16" GRIP, 12-5/32" LENGTH
	2	MS28775-222	CYL. O RING, HYDRAULIC PACKING, 1.484 ID
	1	073-30113	PRESS PLATE
	2	074-30027	BRAKE PLATE ASS'Y WITH LINING
	1	081-30169	BLEEDER FTG.
	1	079-00300	BLEEDER SCREW
	1	183-00100	BLEEDER CAP
	2	062-30161	PISTON
	2	MS28775-222	PISTON O RING, HYDRAULIC PACKING, 1.484 ID
	1	MS28775-011	O RING, DIA 0.301 BLEEDER
9	1	6A04616-002	GREASE RETAINER
10	3	AN5-37A	BOLT, 5/16-24 THREAD, 3-7/16" GRIP, 3-31/32" LENGTH
11	6	NAS1149F0532P	WASHER, 0.328 ID, 0.032 THK, STEEL
12	3	MS21044N5	NUT, LOCKING, REGULAR HEIGHT, 5/16-24 UNF
13	1	MS24665-353	COTTER PIN
14	1	AA1E6*	TIRE 6:00 X 6 8 PLY (TYPE III)
15	1	XA1AD*	TUBE
16	2	MS16997-96	SCREW, CAP, SOCKET HEAD, 3/8-16X.625, STEEL
	2	MS16997-77	SCREW, CAP, SOCKET HEAD, 5/16-16X.625, STEEL
17	1	6A04258-004	FTG., BRAKE LINE
	1	MS20823-4D	FTG. 45Ø
	1	MS28775-011	O RING, DIA 0.301
18	1	073-30113	PRESSURE PLATE W/PADS
19	2	074-30027	BACK PLATES W/PADS

* Any alternate tire (tube type) which is TSO-approved, matches the listed tire's dimensions, and meets its speed/load/ply ratings may be used. Equivalent tubes may also be used.

CLEVELAND/PARKER MAIN GEAR WHEEL ASSEMBLY



PARTS MANUAL FOR BONDED
WIPLINE MODEL 6000/6100 FLOATS S/N 61499 AND PRIOR ON DHC-2 MK I AND MK III

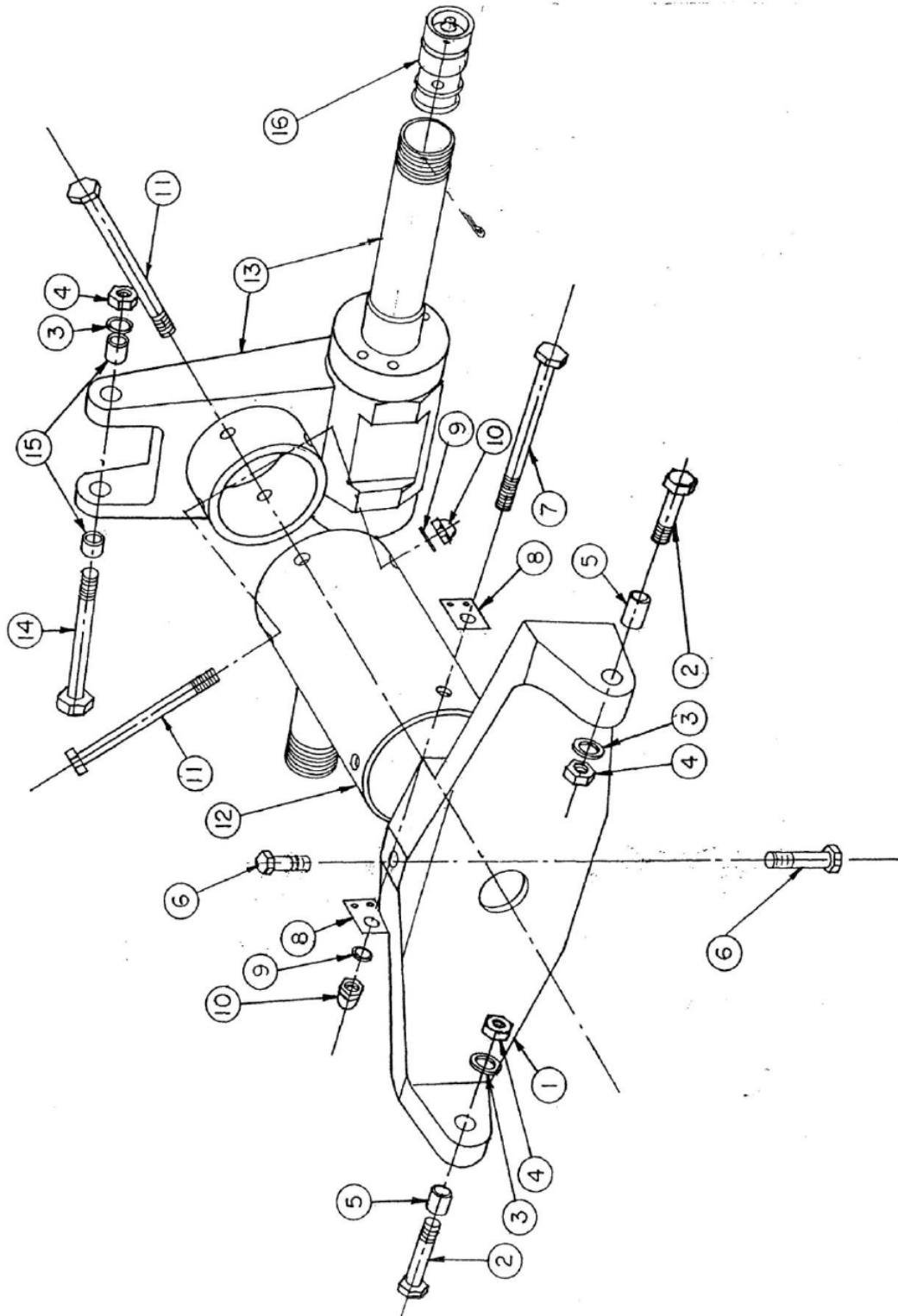
ITEM	QTY	PART NO.	PART DESCRIPTION
-	4	8A04000-031	MAIN WHEEL ASS'Y W/ TIRE & TUBE
1	1	MS21025-24	NUT-AXLE
2	2	6A04093-002	RING-WHEEL RETAINER
3	1	472439	SEAL-OUTSIDE (DRILL #50 HOLE, OUTSIDE FACE)
	1	473232	SEAL-INSIDE
4	2	13889	BEARING-CONE (CLEVELAND)
5	2	13836	BEARING-CUP (CLEVELAND)
6	4	40-418	WHEEL ASSEMBLY-COMplete (CLEVELAND)
	4	40-418-3	WHEEL ASSEMBLY COMPLETE (WITH CHROME BRAKE DISC)
7	1	164-24500	BRAKE DISC
	1	164-24501	BRAKE DISC, CHROME PLATED
8	4	30-241	BRAKE ASSEMBLY-COMplete
	2	6A04000-104	BRAKE ASSEMBLY-COMplete (RIGHT)
	2	6A04000-105	BRAKE ASSEMBLY-COMplete (LEFT)
	1	075-20700	BRAKE TORQUE PLATE
	2	145-01000	BUSHING
	4	066-10500	BRAKE PADS (ONLY)(NEW STYLE)
	-	066-30026	OLD STYLE BRAKE PADS
	4	MS21250HO4026	BOLTS (BRAKE PADS)
	4	MS20002CH	BRAKE PAD BOLT WASHERS
	8	105-00200	RIVETS (BRAKE PADS)
	1	081-00200	BLEEDER SEAT
	1	079-00300	BLEEDER SCREW
	1	183-00100	BLEEDER CAP
	2	069-03100	ANCHOR BOLT
	2	062-10700	PISTON
	2	MS28775-222	O RING, HYDRAULIC PACKING, 1.484 ID
	1	MS28775-012	O RING, HYDRAULIC PACKING, .364 ID
9	1	067-14700	RETAINER-GREASE
10	6	AN5-35A	BOLT, 5/16-24, 3.1875 GRIP, UNDRILLED, STEEL
11	12	NAS1149D0563J	WASHER, 0.328 ID, 0.063 THK, ALUMINUM
12	6	MS21042-5	NUT, SELF LOCKING, 450°, 5/16-24 UNF
13	1	MS24665-353	COTTER PIN
14	1	AA1E6*	TIRE-6:00 X 6 8 PLY (TYPE III)
15	1	XA1AD*	TUBE
16	2	MS16997-96	SCREW, CAP, SOCKET HEAD, 3/8-16X.625, STEEL
	2	MS16997-77	SCREW, CAP, SOCKET HEAD, 5/16-16X.625, STEEL
17	2	104-04700	FITTING
	1	MS28775-011	O RING, DIA 0.301
18	2	073-04200	PRESSURE PLATE (W/PADS)
19	4	074-02900	BACK PLATE (W/PADS)

PARTS MANUAL FOR BONDED
WIPLINE MODEL 6000/6100 FLOATS S/N 61499 AND PRIOR ON DHC-2 MK I AND MK III

ITEM	QTY	PART NO.	PART DESCRIPTION
20	2	155-14300	SNAP RING

* Any alternate tire (tube type) which is TSO-approved, matches the listed tire's dimensions, and meets its speed/load/ply ratings may be used. Equivalent tubes may also be used.

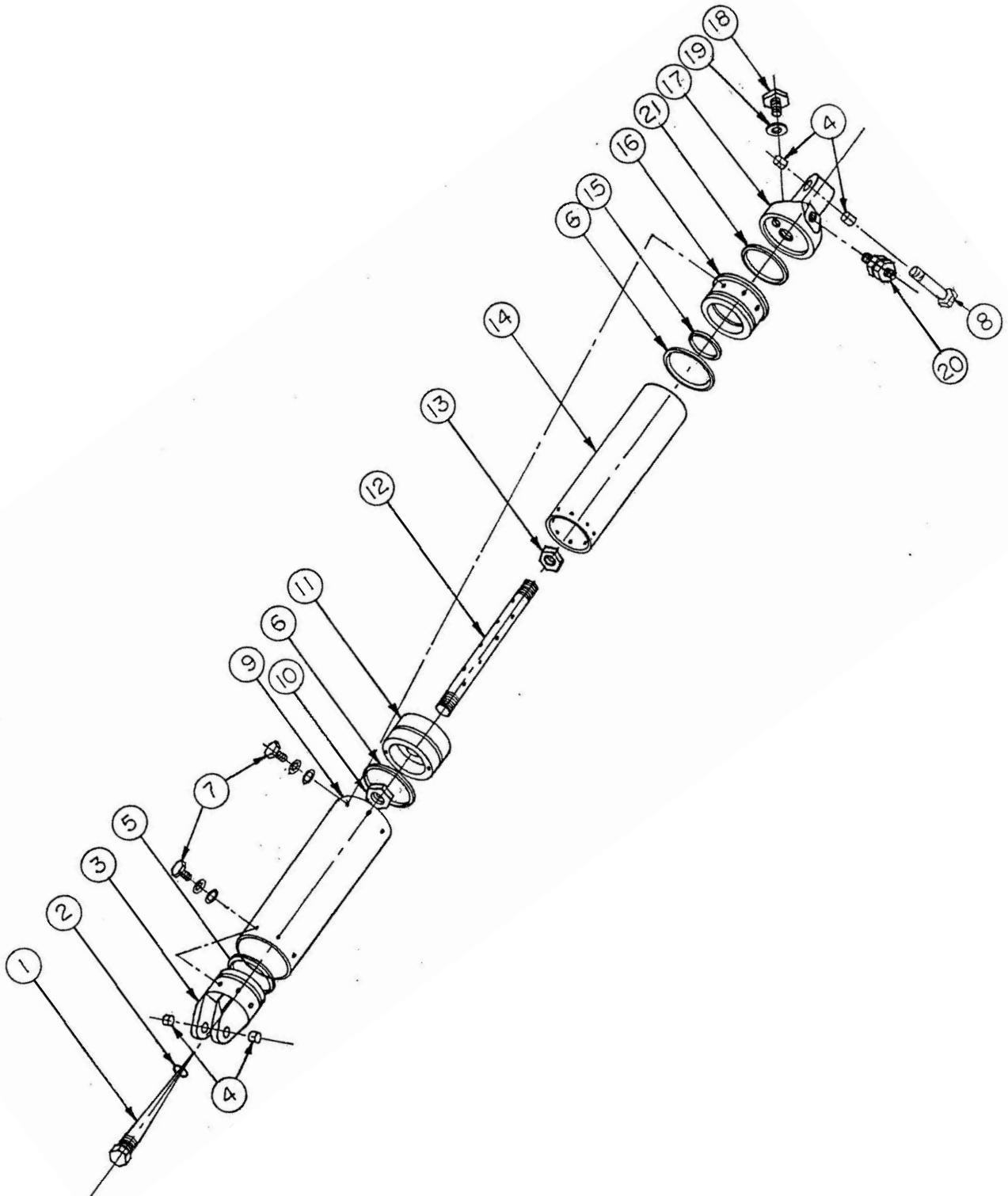
MAIN GEAR AXLE ASSEMBLY



PARTS MANUAL FOR BONDED
WIPLINE MODEL 6000/6100 FLOATS S/N 61499 AND PRIOR ON DHC-2 MK I AND MK III

ITEM	QTY	PART NO.	PART DESCRIPTION
-	1	6A04000-015	ASS'Y., MAIN GEAR AXLE
1	1	6A04311-001	DRAG BRACE (FACTORY REPLACE ONLY)
2	2	AN8-24A	BOLT, 1/2-20 THREAD, 1-13/16" GRIP, 2-19/32" LENGTH
3	2	NAS1149D0863J	WASHER, 0.515 ID, 0.063 THK, ALUMINUM
4	3	MS21044N8	NUT, LOCKING, REGULAR HEIGHT, 1/2-20 UNF
5	2	08DU12	BEARING
6	2	AN6-13A	BOLT, 3/8-24, 0.8125 GRIP, UNDRILLED, STEEL
7	1	AN6-46A	BOLT, 3/8-24 THREAD, 4-3/16" GRIP, 4-53/64 LENGTH
8	2	6A04008-024	CLIP, BRAKE LINE
9	8	NAS1149D0663J	WASHER, 0.39 ID, 0.063 THK, ALUMINUM
	2	NAS1149D0616J	WASHER, 0.39 ID, 0.016 THK, ALUMINUM
10	5	MS21044N6	NUT, LOCKING, REGULAR HEIGHT, 3/8-24 UNF
11	2	AN6-43A	BOLT, 3/8-24 THREAD, 3-13/16" GRIP, 4-29/64 LENGTH
12	1	6A04297-001	TUBE, DRAG LINK (FACTORY REPLACE ONLY)
13	1	6A04000-016 6A04510-001	ASS'Y., AXLE (FACTORY REPLACE ONLY) NOTE: MAIN GEAR AXLE NOT AVAILABLE – CAN BE REPLACED AT WIPAIRE
14	1	AN8-42A	BOLT, 1/2-20 THREAD, 3-9/16" GRIP, 4-11/32" LENGTH
15	2	08DU08	BEARING
16	1	6A04263-002	INSERT-AXLE GREASE (1.150 DIA.)
	2	MS28775-213	O RING, DIA 0.921
	1	1095K41	GREASEZERK
	1	6A04263-003	INSERT-AXLE GREASE (1.230 DIA.)
	2	MS28775-214	O RING, DIA 0.984
	1	1095K41	GREASEZERK
	1	6A04263-004	INSERT-AXLE GREASE (1.020 DIA.)
	2	MS28775-210	O RING, DIA 0.734
	1	1095K41	GREASEZERK

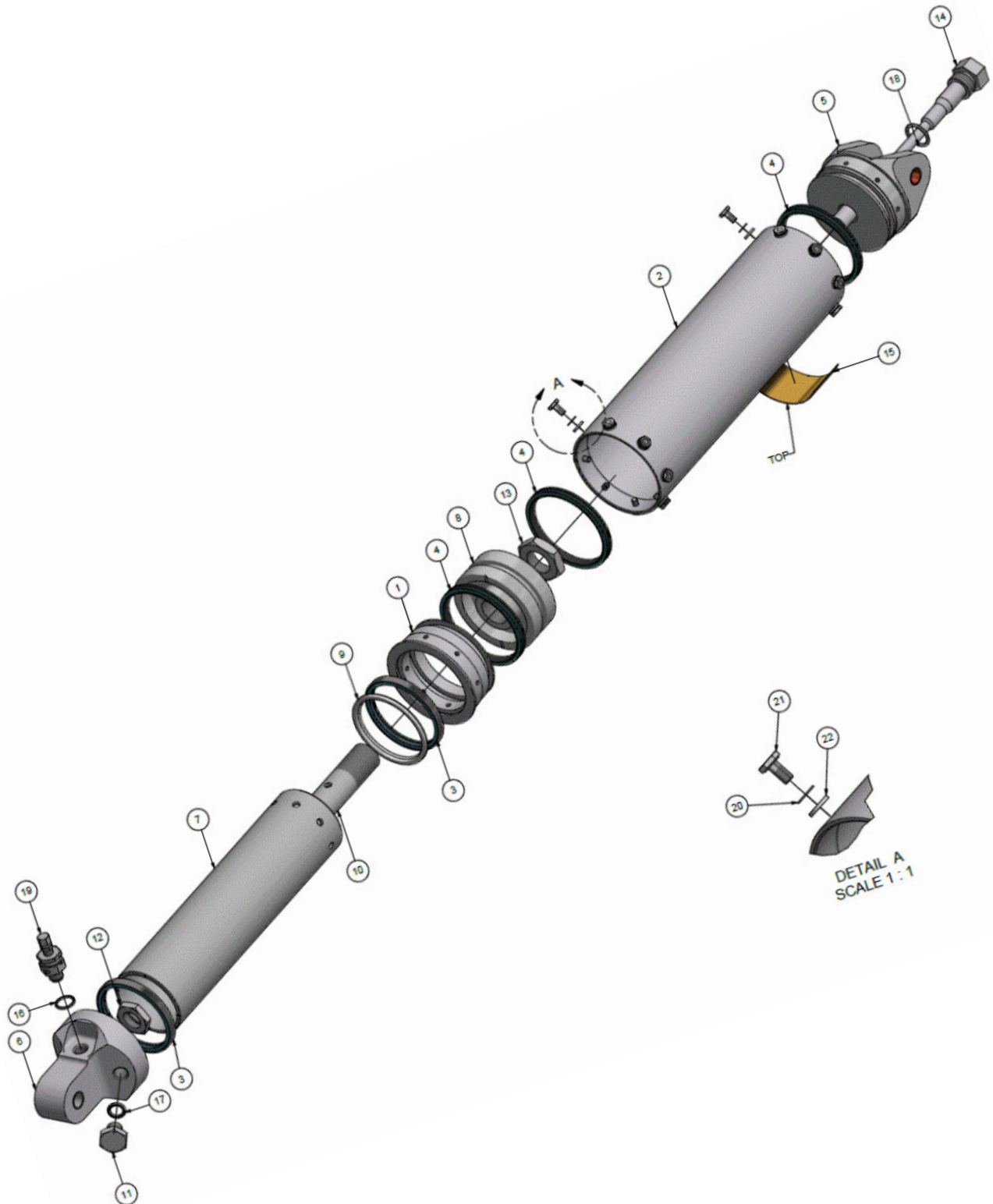
OLEO SHOCK STRUT ASS'Y (O-RINGS INSTALLED) OLD VERSION



PARTS MANUAL FOR BONDED
WIPLINE MODEL 6000/6100 FLOATS S/N 61499 AND PRIOR ON DHC-2 MK I AND MK III

ITEM	QTY	PART NO.	PART DESCRIPTION
-	1	6A04000-014	ASSY., OLEO SHOCK STRUT
1	1	6A04261-001	ROD, METERING - 6000
	1	6P04261-007	ROD, METERING - 6100
2	1	MS28775-116	O RING, DIA 0.737
3	1	6A04256-003	CAP, SHOCK STRUT END OLD STYLE
4	4	08DU08	BUSHING, 1/2" DIA, LENGTH 1/2"
5	4	MS28775-234	O RING, DIA 2.984
6	2	MS28775-336	O RING, DIA 2.855
	2	MS28775-234	O RING, DIA 2.984
7	16	NAS6203-2	BOLT
	16	MS35333-39	LOCKWASHER, INTERNAL TOOTH, TO FIT DIA #10
	16	NAS1149D0363J	WASHER, 0.203 ID, 0.063 THK, ALUMINUM
8	1	AN8-30A	BOLT, 1/2-20 THREAD, 2-5/16" GRIP, 3-3/32" LENGTH
	2	NAS1149D0863J	WASHER, 0.515 ID, 0.063 THK, ALUMINUM
	1	MS21044N8	NUT, 1/2-20 THREAD, NYLON INSERT, 250 DEG.
9	1	6A04407-001	OUTER CYLINDER SHOCK-STRUT
10	1	6A04276-001	NUT - CHECK - SHOCK STRUT
11	1	6A04256-004	PISTON SHOCK - STRUT OLD STYLE
12	1	6A04270-001	METERING TUBE SHOCK-STRUT
13	1	6A04275-001	NUT, CHECK, SHOCK STRUT
14	1	6A04538-001	INNER CYLINDER SHOCK STRUT 6100
15	1	MS28775-334	O RING, DIA 2.6
	1	MS28775-231	O RING, DIA 2.609
16	1	6A04296-001	GLAND SHOCK-STRUT
	1	1009966	WIPER, SHOCK STRUT, T-SEAL
17	1	6A04256-002	CAP, SHOCK STRUT END OLD STYLE
18	1	6A04271-003	CAP
19	1	MS28775-111	O RING, DIA 0.424
20	1	MS28889-2	VALVE, AIR, HIGH PRESSURE CHARGING, 5000 PSI
	1	MS28775-015	O RING, DIA 0.551
21	1	MS28775-231	O RING, DIA 2.609

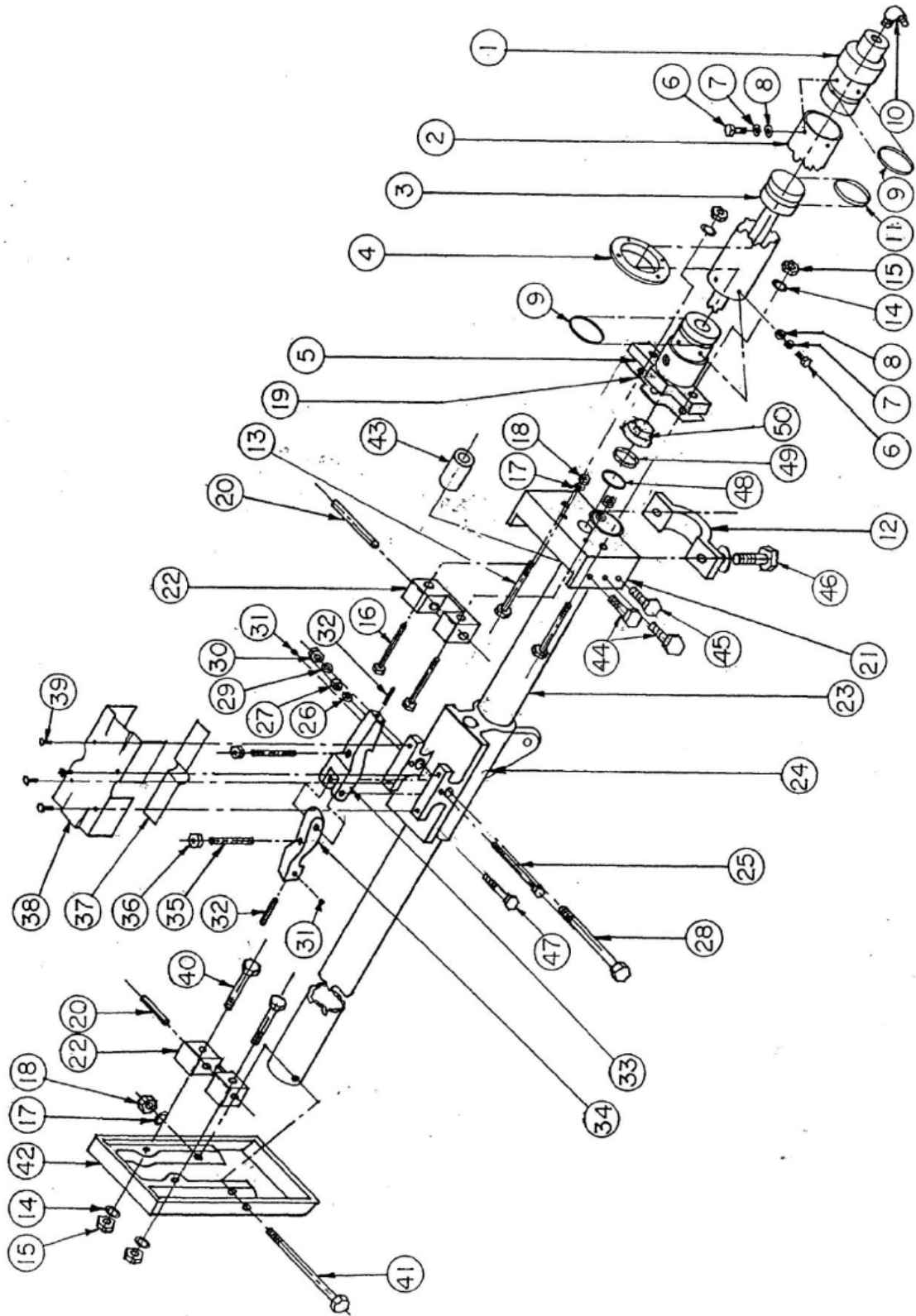
OLEO SHOCK STRUT ASS'Y (T-SEALS INSTALLED) NEW VERSION



PARTS MANUAL FOR BONDED
WIPLINE MODEL 6000/6100 FLOATS S/N 61499 AND PRIOR ON DHC-2 MK I AND MK III

ITEM	QTY	PART NO.	PART DESCRIPTION
-	1	1002068	ASS'Y, OLEO SHOCK STRUT
1	1	1002017	GLAND - OUTER CYL - SHOCK STRUT
2	1	1002018	CYLINDER, OUTER, SHOCK STRUT, 6100
3	2	1002027	ROD, T-SEAL
4	3	1002028	T-SEAL
5	1	1002650	CAP, END, SHOCK STRUT, W/BUSHINGS
6	1	1002651	CAP, TOP, SHOCK STRUT, W/BUSHINGS
7	1	1002653	CYLINDER, INNER, SHOCK STRUT, 6100
8	1	1002654	PISTON, SHOCK STRUT, 8000
9	1	1009966	WIPER, SHOCK STRUT, 8000, T-SEAL
10	1	6A04270-001	ROD - PISTON, SHOCK STRUT
11	1	6A04271-003	PLUG SHOCK STRUT
12	1	6A04275-001	NUT, CHECK, SHOCK STRUT
13	1	6A04276-001	NUT, CHECK, SHOCK STRUT
14	1	6P04261-007	PIN - METERING
15	1	8A3-5086	PLACARD, HYDRAULIC CYLINDER
16	1	MS28775-015	O RING, DIA 0.551
17	1	MS28775-111	O RING, DIA 0.424
18	1	MS28775-116	O RING, DIA 0.737
19	1	MS28889-2	VALVE
20	16	MS35333-39	LOCKWASHER, INTERNAL TOOTH, TO FIT DIA #10
21	16	NAS1103-2	BOLT
22	16	NAS1149D0363J	WASHER, 0.203 ID, 0.063 THK, ALUMINUM

MAIN GEAR SLIDE TUBE ASS'Y (O-RINGS INSTALLED) OLD VERSION



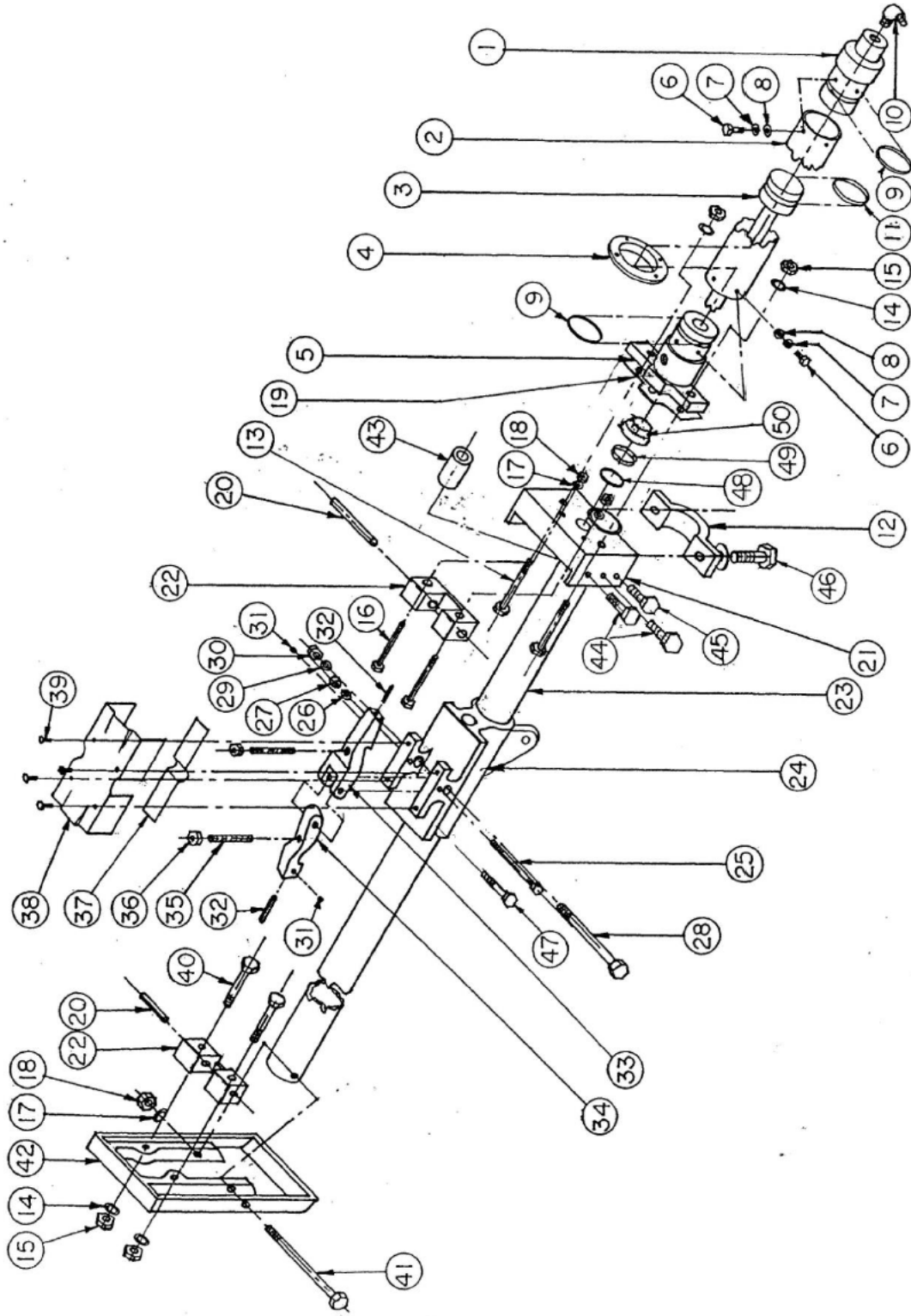
PARTS MANUAL FOR BONDED
WIPLINE MODEL 6000/6100 FLOATS S/N 61499 AND PRIOR ON DHC-2 MK I AND MK III

ITEM	QTY	PART NO.	PART DESCRIPTION
1	1	6A05268-001	CYL., END CAP ASS'Y.
2	1	6A05116-001	CYL. OUTSIDE
3	1	6A05000-006	RAM ASS'Y.
4	1	6A05181-001	RING CYL. SUPPORT
	1	MS28775-327	O RING, DIA 1.725
5	1	6A05199-001	FLANGE CYL. END ASS'Y.
6	8	NAS6203-2	BOLT
7	8	MS35333-39	LOCKWASHER, INTERNAL TOOTH, TO FIT DIA #10
8	8	NAS1149D0363J	WASHER, 0.203 ID, 0.063 THK, ALUMINUM
9	2	MS28775-220	O RING, DIA 1.359
10	2	MS20822-4D	ELBOW
11	1	MS28775-219	O RING, DIA 1.296
12	1	6A05196-001	SLIDE TUBE CAP
13	2	AN6-12A	BOLT, 3/8-24 THREAD, 11/16" GRIP, 1-21/64" LENGTH
14	A/R	NAS1149D0663J	WASHER, 0.39 ID, 0.063 THK, ALUMINUM
15	6	MS21044N6	NUT, LOCKING, REGULAR HEIGHT, 3/8-24 UNF
16	2	AN4-24A	BOLT, 1/4-28 THREAD, 2-1/16" GRIP, 2-17/32" LENGTH
17	A/R	NAS1149D0463J	WASHER, 0.265 ID, 0.063 THK, ALUMINUM
18	4	MS21044N4	NUT, LOCKING, REGULAR HEIGHT, 1/4-28 UNF
19	A/R	6A05156-026	SHIM
20	2	6A05702-008	LOCK PIN
21	1	6A05208-001	FTG., SLIDE TUBE
22	2	6A05193-001	LOCK CATCH
23	1	6A05402-003	SLIDE TUBE
	1	6A05259-002	END, SLIDE TUBE, INSERT
24	1	6A05309-001	CARRIAGE COMPLETE WITH HOOKS
	1	1002642	CARRIAGE WITH BUSHINGS ONLY
	2	26DU16	BUSHING (LG.)
	2	08DU08	BUSHING (SM.)
	1	1095K41	GREASE ZERK
25	1	AN3-25A	BOLT, 10-32 THREAD, 2-1/4" GRIP, 2-21/32" LENGTH
26	A/R	NAS1149D0363J	WASHER, 0.203 ID, 0.063 THK, ALUMINUM
27	1	MS21044N3	NUT, LOCKING, REGULAR HEIGHT, 10-32 UNF
28	1	AN6-26A	BOLT, SIZE 3/8-24, LENGTH 1/64 - 2-53/64, GRIP LENGTH 2-3/16
29	A/R	NAS1149D0663J	WASHER, 0.39 ID, 0.063 THK, ALUMINUM
30	1	MS21044N6	NUT, LOCKING, REGULAR HEIGHT, 3/8-24 UNF
31	2	1032 NF X 3/16	SET SCREW
32	2	3A05701-001	MAGNET
33	1	6A05042-001	LOCK AFT
34	1	6A05041-001	LOCK FWD
35	2	6A05087-001	SCREW, ADJUSTING, MAIN GEAR LOCK

PARTS MANUAL FOR BONDED
WIPLINE MODEL 6000/6100 FLOATS S/N 61499 AND PRIOR ON DHC-2 MK I AND MK III

ITEM	QTY	PART NO.	PART DESCRIPTION
36	2	AN316-4R	NUT JAM, HEXAGON, 1/4-28 THREAD, RIGHT
37	1	6A05533-001	SPRING LOCK
38	1	6A05158-019	COVER CARRIAGE
39	4	AN526-832R8	SCREW, WASHER HEAD, 8-32 THREAD, 1/8" GRIP, 1/2" LENGTH
	4	MS35333-38	LOCKWASHER, INTERNAL TOOTH, TO FIT DIA #8
	4	NAS1149DN832J	WASHER, 0.174 ID, 0.032 THK, ALUMINUM
40	2	AN4-24A	BOLT, 1/4-28 THREAD, 2-1/16" GRIP, 2-17/32" LENGTH
41	1	AN6-47A	BOLT, 3/8-24 THREAD, 4-5/16" GRIP, 4-61/64 LENGTH
42	1	6A01201-001	FTG., FWD., SLIDE TUBE
43	1	6A05259-002	END, SLIDE TUBE
44	4	AN5-6A	BOLT, 5/16-24, 0.3125 GRIP, UNDRILLED, STEEL
	A/R	NAS1149D0563J	WASHER, 0.328 ID, 0.063 THK, ALUMINUM
	4	MS21044N5	NUT, LOCKING, REGULAR HEIGHT, 5/16-24 UNF
45	2	AN6-7A	BOLT, 3/8-24 THREAD, 5/16" GRIP, 61/64" LENGTH
	A/R	NAS1149D0663J	WASHER, 0.39 ID, 0.063 THK, ALUMINUM
	2	MS21044N6	NUT, LOCKING, REGULAR HEIGHT, 3/8-24 UNF
46	2	AN5H10A	BOLT, 5/16-24 THREAD, 9/16" GRIP, 1-3/32" LENGTH
	A/R	NAS1149D0563J	WASHER, 0.328 ID, 0.063 THK, ALUMINUM
47	1	AN4-14A	BOLT, 1/4-28, 1.0625 GRIP, UNDRILLED, STEEL
	A/R	NAS1149D0463J	WASHER, 0.265 ID, 0.063 THK, ALUMINUM
	1	MS21044N4	NUT, LOCKING, REGULAR HEIGHT, 1/4-28 UNF
48	1	MS28775-314	"O" RING
49	1	6A05580-004	WIPER, MAIN, FELT
50	1	8880410	WIPER, NYLON

MAIN GEAR SLIDE TUBE ASS'Y (T-SEALS INSTALLED) NEW VERSION



PARTS MANUAL FOR BONDED
WIPLINE MODEL 6000/6100 FLOATS S/N 61499 AND PRIOR ON DHC-2 MK I AND MK III

ITEM	QTY	PART NO.	PART DESCRIPTION
1	1	1002236	CYL., END CAP
2	1	1002022	CYL. OUTSIDE
3	1	1002639	RAM. ASS'Y.
4	1	6A05181-001	RING CYL. SUPPORT
	1	MS28775-327	O RING, DIA 1.725
5	1	1002235	FLANGE CYL. END
6	8	NAS6203-2	BOLT
7	8	MS35333-39	LOCKWASHER, INTERNAL TOOTH, TO FIT DIA #10
8	8	NAS1149D0363J	WASHER, 0.203 ID, 0.063 THK, ALUMINUM
9	2	1002229	T-SEAL
10	2	MS20822-4D	ELBOW FTG.
11	1	1002229	T-SEAL
12	1	6A05196-001	SLIDE TUBE CAP
13	2	AN6-12A	BOLT, 3/8-24 THREAD, 11/16" GRIP, 1-21/64" LENGTH
14	A/R	NAS1149D0663J	WASHER, 0.39 ID, 0.063 THK, ALUMINUM
15	6	MS21044N6	NUT, LOCKING, REGULAR HEIGHT, 3/8-24 UNF
16	2	AN4-24A	BOLT, 1/4-28 THREAD, 2-1/16" GRIP, 2-17/32" LENGTH
17	A/R	NAS1149D0463J	WASHER, 0.265 ID, 0.063 THK, ALUMINUM
18	4	MS21044N4	NUT, LOCKING, REGULAR HEIGHT, 1/4-28 UNF
19	A/R	6A05158-020	SHIM
20	2	6A05702-008	LOCK PIN
21	1	6A05208-001	FTG., SLIDE TUBE
22	2	6A05193-001	LOCK CATCH
23	1	6A05402-003	SLIDE TUBE
	1	6A05259-002	END, SLIDE TUBE, INSERT
24	1	1002643	CARRIAGE ASS'Y
	2	26DU16	BUSHING (LG.)
	2	08DU08	BUSHING (SM.)
	1	1095K41	GREASE ZERK
25	1	AN3-25A	BOLT, 10-32 THREAD, 2-1/4" GRIP, 2-21/32" LENGTH
26	A/R	NAS1149D0363J	WASHER, 0.203 ID, 0.063 THK, ALUMINUM
27	1	MS21044N3	NUT, LOCKING, REGULAR HEIGHT, 10-32 UNF
28	1	AN6-26A	BOLT, SIZE 3/8-24, LENGTH 1/64 - 2-53/64, GRIP LENGTH 2-3/16
29	A/R	NAS1149D0663J	WASHER, 0.39 ID, 0.063 THK, ALUMINUM
30	1	MS21044N6	NUT, LOCKING, REGULAR HEIGHT, 3/8-24 UNF
31	2	1032 NF X 3/16	SET SCREW
32	2	3A05701-001	MAGNET
33	1	6A05042-001	LOCK, AFT
34	1	6A05041-001	LOCK, FWD
35	2	6A05087-001	SCREW, ADJUSTING, MAIN GEAR LOCK
36	2	AN316-4R	NUT JAM, HEXAGON, 1/4-28 THREAD, RIGHT

PARTS MANUAL FOR BONDED
WIPLINE MODEL 6000/6100 FLOATS S/N 61499 AND PRIOR ON DHC-2 MK I AND MK III

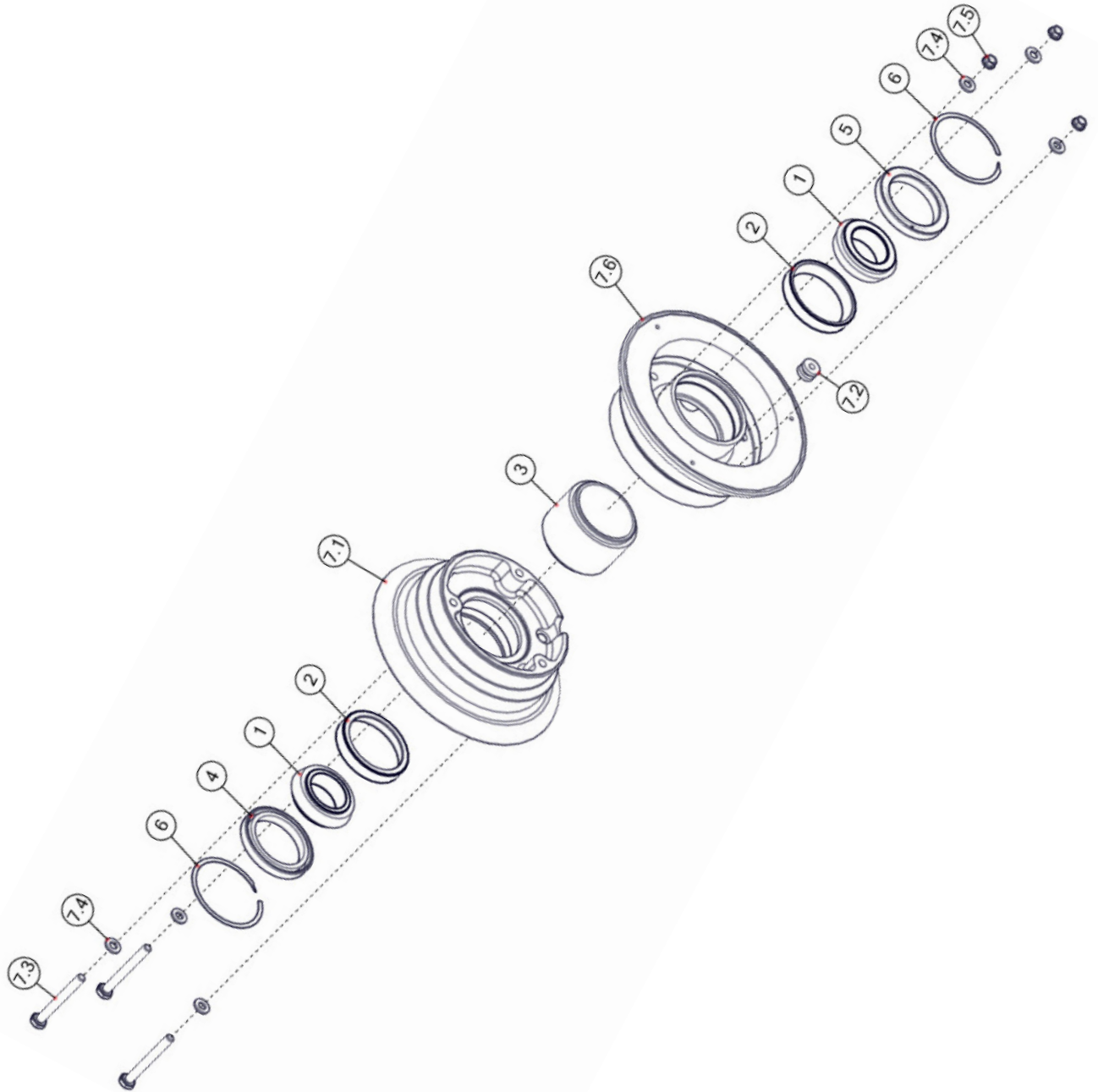
ITEM	QTY	PART NO.	PART DESCRIPTION
37	1	6A05533-001	SPRING LOCK
38	1	6A05158-019	COVER, CARRIAGE
39	4	AN526-832R8	SCREW, WASHER HEAD, 8-32 THREAD, 1/8" GRIP, 1/2" LENGTH
	4	MS35333-38	LOCKWASHER, INTERNAL TOOTH, TO FIT DIA #8
	4	NAS1149DN832J	WASHER, 0.174 ID, 0.032 THK, ALUMINUM
40	2	AN4-24A	BOLT, 1/4-28 THREAD, 2-1/16" GRIP, 2-17/32" LENGTH
41	1	AN6-47A	BOLT, 3/8-24 THREAD, 4-5/16" GRIP, 4-61/64 LENGTH
42	1	6A01201-001	FTG., FWD, SLIDE TUBE
43	1	6A05259-002	END, SLIDE TUBE
44	4	AN5-6A	BOLT, 5/16-24, 0.3125 GRIP, UNDRILLED, STEEL
	A/R	NAS1149D0563J	WASHER, 0.328 ID, 0.063 THK, ALUMINUM
	4	MS21044N5	NUT, LOCKING, REGULAR HEIGHT, 5/16-24 UNF
45	2	AN6-7A	BOLT, 3/8-24 THREAD, 5/16" GRIP, 61/64" LENGTH
	A/R	NAS1149D0663J	WASHER, 0.39 ID, 0.063 THK, ALUMINUM
	2	MS21044N6	NUT, LOCKING, REGULAR HEIGHT, 3/8-24 UNF
46	2	AN5H10A	BOLT, 5/16-24 THREAD, 9/16" GRIP, 1-3/32" LENGTH
	A/R	NAS1149D0563J	WASHER, 0.328 ID, 0.063 THK, ALUMINUM
47	1	AN4-14A	BOLT, 1/4-28, 1.0625 GRIP, UNDRILLED, STEEL
	A/R	NAS1149D0463J	WASHER, 0.265 ID, 0.063 THK, ALUMINUM
	1	MS21044N4	NUT, LOCKING, REGULAR HEIGHT, 1/4-28 UNF
48	2	1002231	T-SEAL
49	1	6A05580-004	WIPER, MAIN, FELT
50	1	8880410	WIPER, NYLON

PARTS MANUAL FOR BONDED
WIPLINE MODEL 6000/6100 FLOATS S/N 61499 AND PRIOR ON DHC-2 MK I AND MK III

ITEM	QTY	PART NO.	PART DESCRIPTION
-	1	6A06000-011	NOSE FORK AND PIVOT ASSY
1	2	1095K41	COMMON GREASEZERK
2	2	215-125-0750	PIN, ROLL, 1/8 X 3/4, SPRING
3	1	3A06037-001	CAP - PIVOT BLOCK
4	1	3A06525-002	SPRING
5	1	3A06602-001	THRUST WASHER
6	1	6A06000-005	NOSE WHEEL ASSY
	1	1003233	ASSEMBLY NOSE WHEEL WITHOUT TIRE
	1	AA1D4*	TIRE, 5.00 X 5 - 6, TYPE 3, NOSE 6000
	1	XA1AC*	TUBE, 5.00 X 5, NOSE 6100
7	1	6A06000-006	YOKE ASSY
8	1	6A06196-002	PLATE, BEARING, LOWER, NOSE SPRING
9	1	6A06199-003	LEG, NOSE WHEEL FORK, LEFT
10	1	6A06199-004	LEG, NOSE WHEEL FORK, RIGHT
11	1	6A06202-001	BLOCK, ATTACH, TOWING
12	1	6A06265-001	AXLE - NOSE WHEEL
13	2	6A06268-002	SPACER
14	1	6A06312-001	PIVOT BLOCK, NOSE GEAR
15	1	6A06512-002	RETAINER, NOSE GEAR PIVOT
16	1	6A06625-001	SPRING, NOSE GEAR
17	1	AN4-25A	BOLT, 1/4-28 THREAD, 2-3/16" GRIP, 2-21/32 LNTH
18	4	AN6-21A	BOLT, 3/8-24 THREAD, 1-9/16" GRIP, 2-13/64 LNTH
19	2	AN6-37A	BOLT, 3/8-24 THREAD, 3-5/16" GRIP, 3-61/64 LNTH
20	2	MS16997-60	SCREW, CAP, SOCKET HEAD, 1/4-20X1.500, STEEL
21	2	MS16997-77	SCREW, CAP, SOCKET HEAD, 5/16-16X.625, STEEL
22	1	MS21025-20	NUT, AXLE
23	1	MS21044N4	NUT, HEX LOCKING NYLON INSERT STEEL, 1/4-28
24	6	MS21044N6	NUT, LOCKING, REGULAR HEIGHT, 3/8-24 UNF
25	1	MS24665-349	COTTER PIN
26	2	MS28775-218	O RING, DIA 1.234
27	2	MS35333-40	LOCKWASHER, INTERNAL TOOTH, TO FIT DIA 1/4"
28	2	NAS1149F0463P	WASHER, 0.265 ID, 0.063 THK, STEEL
29	4	NAS1149F0632P	WASHER, 0.39 ID, 0.032 THK, STEEL
30	8	NAS1149F0663P	WASHER, 0.39 ID, 0.063 THK, STEEL

* Any alternate tire (tube type) which is TSO-approved, matches the listed tire's dimensions, and meets its speed/load/ply ratings may be used. Equivalent tubes may also be used.

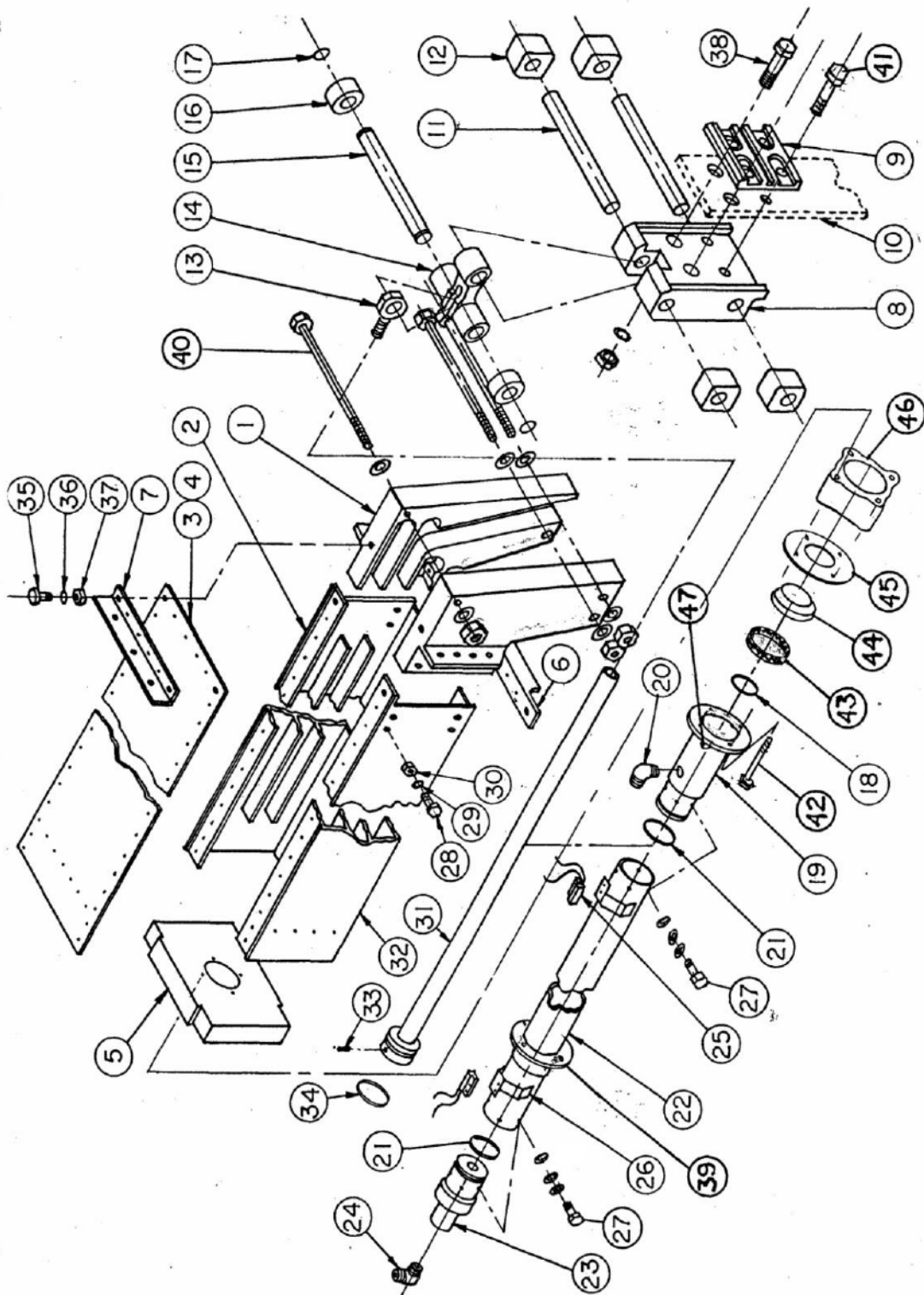
NOSE WHEEL ASSEMBLY WITHOUT TIRE



PARTS MANUAL FOR BONDED
WIPLINE MODEL 6000/6100 FLOATS S/N 61499 AND PRIOR ON DHC-2 MK I AND MK III

ITEM	QTY	PART NO.	PART DESCRIPTION
-	1	1003233	ASSEMBLY, NOSE WHEEL WITHOUT TIRE
1	2	08125	BEARING, STL, TIMKEN, 40-87H
2	2	08231	CUP, BEARING, TIMKEN, 40-87H
3	1	1003232	RETAINER, GREASE, NOSE WHEEL
4	1	1003547	SEAL, BEARING, WHEEL, INBOARD
5	1	1003548	SEAL, NOSE WHEEL, OUTBOARD
6	2	155-00200	SNAP RING
7	1	40-87H	WHEEL ASSEMBLY
7.1	1	161-04101	WHEEL HALF ASSEMBLY, INNER
7.2	1	217-00100	GROMMET
7.3	3	AN4-22A	BOLT
7.4	6	NAS1149F0463P	WASHER
7.5	3	NAS21042-4	NUT
7.6	1	162-03901	WHEEL HALF ASSEMBLY, OUTER

NOSE GEAR RETRACTION ASSEMBLY, UPPER END (O-RINGS INSTALLED) OLD VERSION



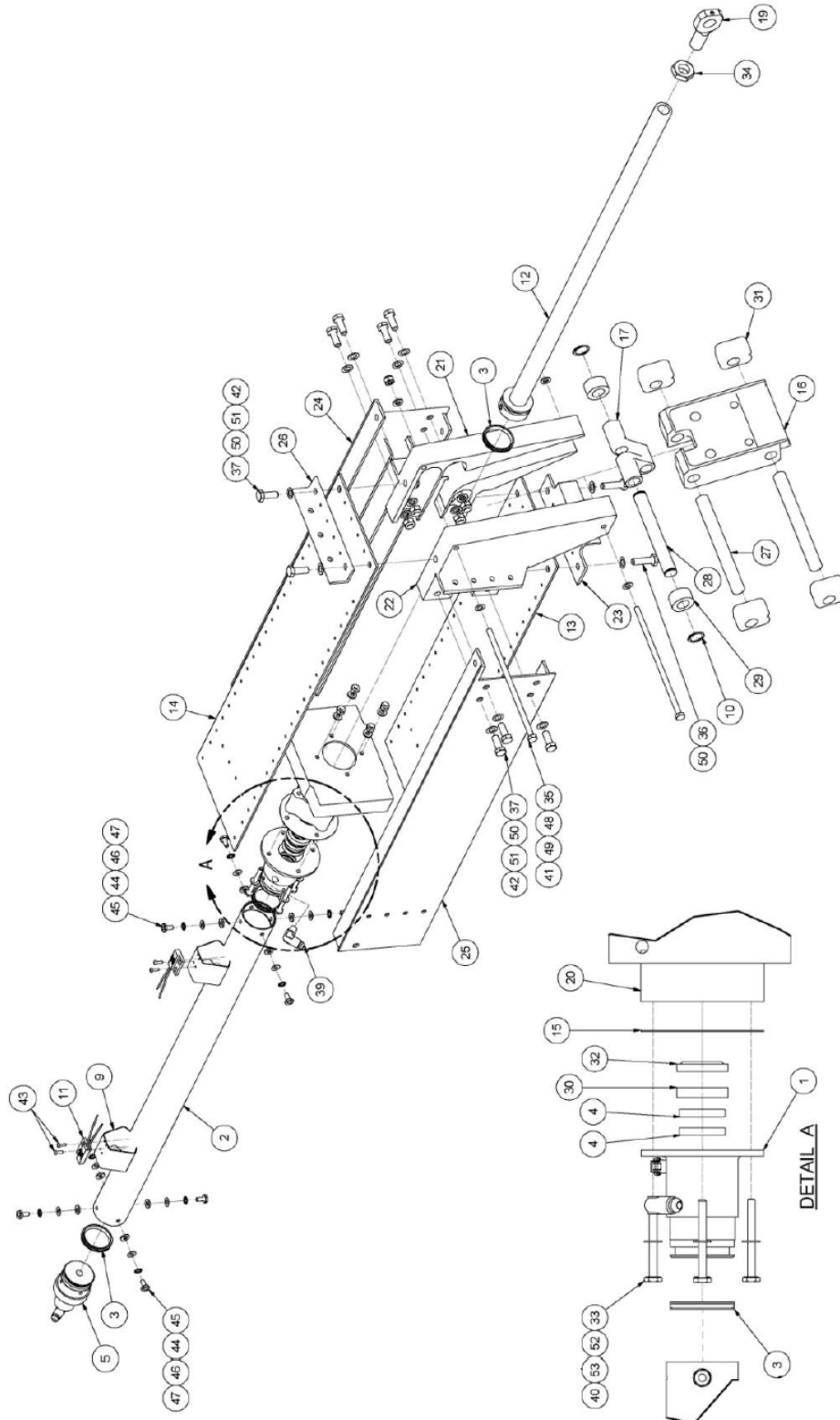
PARTS MANUAL FOR BONDED
WIPLINE MODEL 6000/6100 FLOATS S/N 61499 AND PRIOR ON DHC-2 MK I AND MK III

ITEM	QTY	PART NO.	PART DESCRIPTION
-	1	6A07000-004	NOSE GEAR, RETRACTION SYSTEM
1	1	6A07337-001	END, NOSE GEAR TRACK, LT.
	1	6A07337-002	END, NOSE GEAR TRACK, RT.
2	1	6A07364-001	TRACK, SIDE NOSE GEAR BOX, LT.
	1	6A07364-002	TRACK, SIDE NOSE GEAR BOX, RT.
3	1	6A07156-023	NOSE BOX, COVER, TOP
4	1	6A07156-022	NOSE BOX, COVER, BTM.
5	1	6A07210-001	END CAP, NOSE BOX
6	1	6A07357-036	ANGLE, NOSE BOX, BTM.
7	1	6A07427-003	ANGLE, NOSE BOX, TOP
8	1	6A07199-002	TROLLEY, NOSE GEAR
9	1	6A07184-001	PLATE, BEARING
10	1	6A06625-001	SPRING, NOSE
11	2	6A07534-001	AXLE, TROLLEY
12	4	6A07603-001	BLOCK, TROLLEY
13	1	6A07263-001	ROD END, NOSE GEAR RAM
14	1	6A07204-001	LINK, TROLLEY, NOSE GEAR
15	1	6A07534-002	AXLE, LINK
16	2	6A07544-001	ROLLER, TROLLEY BEARING
17	2	5100-62H	SNAP RING
18	1	MS28775-316	O RING, DIA 0.875
19	1	6A07264-002	FLANGE, NOSE GEAR CYL.
20	1	MS20822-4D	ELBOW
21	1	MS28775-220	O RING, DIA 1.359
22	1	6A07116-002	CYL., NOSE GEAR RAM (OLD STYLE)
23	1	6A05268-001	END CAP
24	1	MS20822-4D	ELBOW
25	2	5801	SWITCH, PROXIMITY
	4	MS35206-215	SCREW, PAN HEAD, STL. CAD 2, 4-40, 3/8"
26	2	3A07005-178	MOUNT SWITCH
27	8	NAS6203-2	BOLT
	8	NAS1149D0363J	WASHER, 0.203 ID, 0.063 THK, ALUMINUM
	8	NAS1149D0316J	WASHER, 0.203 ID, 0.016 THK, ALUMINUM
	8	MS35333-39	LOCKWASHER, INTERNAL TOOTH, TO FIT DIA #10
28	10	AN5-7A	BOLT, 5/16-24 THREAD, 7/16" GRIP, 31/32" LENGTH
29	A/R	NAS1149D0563J	WASHER, 0.328 ID, 0.063 THK, ALUMINUM
	A/R	NAS1149D0563J	WASHER, 0.328 ID, 0.063 THK, ALUMINUM
30	8	MS21044N5	NUT, LOCKING, REGULAR HEIGHT, 5/16-24 UNF
31	1	6A07000-008	ASS'Y RAM
32	1	6A07364-001	TRACK, SIDE NOSE GEAR BOX, LT.
	1	6A07364-002	TRACK, SIDE NOSE GEAR BOX, RT.

PARTS MANUAL FOR BONDED
WIPLINE MODEL 6000/6100 FLOATS S/N 61499 AND PRIOR ON DHC-2 MK I AND MK III

ITEM	QTY	PART NO.	PART DESCRIPTION
33	1	3A05701-001	MAGNET
34	1	MS28775-219	O RING, DIA 1.296
35	2	AN5-10A	BOLT, 5/16-24 THREAD, 9/16" GRIP, 1-3/32" LENGTH
36	A/R	NAS1149D0563J	WASHER, 0.328 ID, 0.063 THK, ALUMINUM
	A/R	NAS1149D0563J	WASHER, 0.328 ID, 0.063 THK, ALUMINUM
37	2	MS21044N5	NUT, LOCKING, REGULAR HEIGHT, 5/16-24 UNF
38	2	AN8-26A	BOLT, 1/2-20, 2.0625 GRIP, UNDRILLED, STEEL
	A/R	NAS1149F0763P	WASHER, 0.453 ID, 0.063 THK, STEEL
	2	MS21044N8	NUT, LOCKING, REGULAR HEIGHT, 1/2-20 UNF
39	1	6A05181-001	SUPPORT RING, CYL.
40	2	AN4-65A	BOLT, 1/4-28, 6.1875 GRIP, UNDRILLED, STEEL
	A/R	NAS1149F0463P	WASHER, 0.265 ID, 0.063 THK, STEEL
	2	MS21044N4	NUT, LOCKING, REGULAR HEIGHT, 1/4-28 UNF
41	2	AN6-24A	BOLT, 3/8-24, 1.9375 GRIP, UNDRILLED, STEEL
	A/R	NAS1149F0663P	WASHER, 0.39 ID, 0.063 THK, STEEL
	2	MS21044N6	NUT, LOCKING, REGULAR HEIGHT, 3/8-24 UNF
42	4	AN3-20A	BOLT, 10-32, 1.625 GRIP, UNDRILLED, STEEL
	4	NAS1149F0363P	WASHER, 0.203 ID, 0.063 THK, STEEL
	4	MS21044N3	NUT, LOCKING, REGULAR HEIGHT, 10-32 UNF
43	1	6A07580-001	WIPER, FELT
44	1	8880510	WIPER, NYLON
45	1	6A07158-129	PLATE
46	1	6A07264-003	SPACER
47	1	1205K12	OILER, FILLER

NOSE GEAR RETRACTION ASSEMBLY, UPPER END (T-SEALS INSTALLED) NEW VERSION



PARTS MANUAL FOR BONDED
WIPLINE MODEL 6000/6100 FLOATS S/N 61499 AND PRIOR ON DHC-2 MK I AND MK III

ITEM	QTY	PART NO.	PART DESCRIPTION
1	1	1002013	FLANGE - CYLINDER NOSE GEAR RAM
2	1	1002024	CYLINDER, RAM, NOSE, 6000
3	3	1002229	PISTON, T-SEAL
4	2	1002230	ROD, T-SEAL
5	1	1002236	ASSEMBLY, CYLINDER END CAP
6	1	1205K12	OILER
7	1	13A07279-001	PLUG - RAM NOSE GEAR
8	1	3A05701-001	MAGNET, HOOK LATCH, MAIN GEAR
9	2	3A07005-178	CLIP, SWITCH, NOSE & MAIN
10	2	5100-62H	SNAP RING
11	2	5801	SWITCH, SENSOR
12	1	6A07000-008	ASSEMBLY, RAM, NOSE GEAR
13	1	6A07156-022	SKIN - NOSE BOX, BOTTOM, 6100 FLOATS
14	1	6A07156-023	SKIN - NOSE BOX, BOTTOM, 6100 FLOATS
15	1	6A07158-129	PLATE - FLANGE
16	1	6A07199-002	TROLLY, NOSE GEAR
17	1	6A07204-001	LINK, NOSE GEAR
18	1	6A07210-001	CAP - END, NOSE BOX
19	1	6A07263-001	ROD END - NOSE GEAR RAM
20	1	6A07264-003	SPACER - FLANGE CYLINDER NOSE GEAR RAM
21	1	6A07337-001	TRACK, END, NOSE GEAR, LH
22	1	6A07337-002	TRACK, END, NOSE GEAR, RH
23	1	6A07357-036	ANGLE, NOSE BOX, BOTTOM
24	1	6A07364-001	SIDE, TRACK, NOSE GEAR, LH
25	1	6A07364-002	SIDE, TRACK, NOSE GEAR, RH
26	1	6A07427-003	ANGLE, NOSE BOX, TOP
27	2	6A07534-001	AXLE - TROLLEY, NOSE GEAR
28	1	6A07534-002	AXLE - LINK, NOSE GEAR
29	2	6A07544-001	ROLLER - TRACK, NOSE GEAR
30	1	6A07580-005	WIPER, NOSE GEAR ACTR
31	4	6A07603-001	BLOCK, SLIDE, TROLLEY, NOSE GEAR
32	1	8880500U	WIPER
33	4	AN3-17A	BOLT, 10-32, 1.5 GRIP, UNDRILLED, STEEL
34	1	AN316-10R	NUT JAM, HEXAGON, 5/8-18 THREAD, RIGHT
35	2	AN4-65A	BOLT, 1/4-28, 6.1875 GRIP, UNDRILLED, STEEL
36	2	AN5-10A	BOLT, 5/16-24 THREAD, 9/16" GRIP, 1-3/32" LENGTH
37	10	AN5-6A	BOLT, 5/16-24, 0.3125 GRIP, UNDRILLED, STEEL
38	1	AN6227-9	O-RING
39	1	MS20822-4D	ELBOW
40	4	MS21044N3	NUT, LOCKING, REGULAR HEIGHT, 10-32 UNF
41	2	MS21044N4	NUT, LOCKING, REGULAR HEIGHT, 1/4-28 UNF

PARTS MANUAL FOR BONDED
WIPLINE MODEL 6000/6100 FLOATS S/N 61499 AND PRIOR ON DHC-2 MK I AND MK III

ITEM	QTY	PART NO.	PART DESCRIPTION
42	10	MS21044N5	NUT, LOCKING, REGULAR HEIGHT, 5/16-24 UNF
43	4	MS35206-215	SCREW, PAN HEAD, STL. CAD 2, 4-40, 3/8"
44	8	MS35333-39	LOCKWASHER, INTERNAL TOOTH, TO FIT DIA #10
45	8	NAS1103-2	BOLT
46	8	NAS1149D0316J	WASHER, 0.203 ID, 0.016 THK, ALUMINUM
47	8	NAS1149D0363J	WASHER, 0.203 ID, 0.063 THK, ALUMINUM
48	2	NAS1149D0416J	WASHER, 0.265 ID, 0.016 THK, ALUMINUM
49	2	NAS1149D0463J	WASHER, 0.265 ID, 0.063 THK, ALUMINUM
50	12	NAS1149D0516J	WASHER, 0.328 ID, 0.016 THK, ALUMINUM
51	10	NAS1149D0563J	WASHER, 0.328 ID, 0.063 THK, ALUMINUM
52	4	NAS1149F0332P	WASHER, 0.203 ID, 0.032 THK, STEEL
53	4	NAS1149F0363P	WASHER, 0.203 ID, 0.063 THK, STEEL

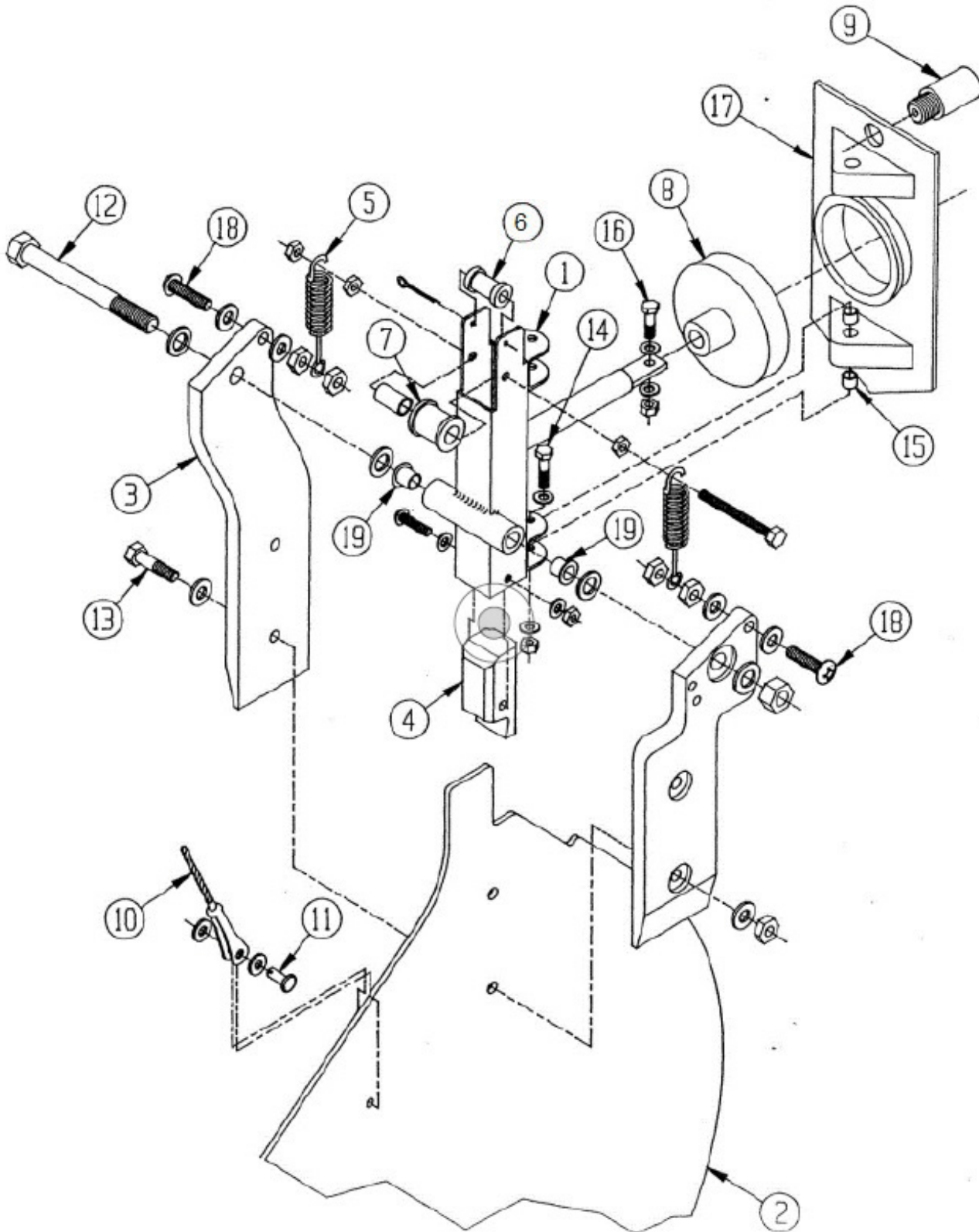
SECTION 9

WATER RUDDER, STEERING & RETRACT CABLES

CONTENTS

WATER RUDDER BLADE INSTALLATION.....	90
WATER RUDDER STEERING & RETRACT SCHEMATIC	92

WATER RUDDER BLADE INSTALLATION



PARTS MANUAL FOR BONDED
WIPLINE MODEL 6000/6100 FLOATS S/N 61499 AND PRIOR ON DHC-2 MK I AND MK III

ITEM	QTY	PART NO.	PART DESCRIPTION
1	1	8A08000-098	ASSY., WATER RUDDER POST
2	1	6A08001-005	BLADE, WATER RUDDER
3	1	4A08197-009	ARM, WATER RUDDER, LT.
	1	4A08197-008	ARM, WATER RUDDER, RT.
4	1	6A08183-005	STOP, WATER RUDDER
	1	AN3-12A	BOLT, 10-32, 0.875 GRIP, UNDRILLED, STEEL
	1	NAS1149D0316J	WASHER, 0.203 ID, 0.016 THK, ALUMINUM
	1	MS21083N3	NUT, LOCKING, LOW HEIGHT, 10-32 UNF
5	2	3A08525-001	SPRING, RETRACT
6	1	6A08601-002	ROLLER, RUDDER POST CABLE
	1	MS24665-306	COTTER PIN
7	2	3A08606-001	ROLLER, RETRACT CABLE, LWR.
	2	3A08502-001	BUSHING
	1	1032 X 2 INCH SS	BOLT
	4	NAS697A3W	NUT
	1	10/32 X 1 1/2	BOLT 10/32 X 1 1/2 (UPPER ROLLER)
8	1	3A08650-001	BOOT, WATER RUDDER
9	1	3A08605-001	GUIDE, WATER RUDDER CABLE
10	1	6A08000-013	ASS'Y CABLE-RETRACT
11	1	MS20392-2C11	CLEVIS PIN
	1	NAS1149D0363J	WASHER, 0.203 ID, 0.063 THK, ALUMINUM
	1	MS24665-0151	COTTER PIN
12	1	AN6C34A	BOLT, 3/8-24, 2.9375 GRIP, UNDRILLED, STEEL
	4	NAS1149D0663J	WASHER, 0.39 ID, 0.063 THK, ALUMINUM
	1	MS21044N6	NUT, LOCKING, REGULAR HEIGHT, 3/8-24 UNF
13	2	AN4-10A	BOLT, 1/4-28, 0.5625 GRIP, UNDRILLED, STEEL
	4	NAS1149D0463J	WASHER, 0.265 ID, 0.063 THK, ALUMINUM
	2	MS21044N6	NUT, LOCKING, REGULAR HEIGHT, 3/8-24 UNF
14	2	AN3C10A	BOLT, 10-32, 0.625 GRIP, UNDRILLED, STAINLESS STEEL
	2	NAS1149D0363J	WASHER, 0.203 ID, 0.063 THK, ALUMINUM
	2	NAS697A3W	NUT
15	4	03DU04	BEARING (TEFLON-STEEL) SPECIFY
	4	4L4F	BEARING NYLINER (PLASIC) SPECIFY (OLD STYLE)
16	1	AN3-6A	BOLT, 10-32, 0.375 GRIP, UNDRILLED, STEEL
	1	NAS1149D0363J	WASHER, 0.203 ID, 0.063 THK, ALUMINUM
	1	MS21044N3	NUT, LOCKING, REGULAR HEIGHT, 10-32 UNF
17	1	3A01437-001	CASTING, WATER RUDDER
18	2	MS35207-283	SCREW, PAN HEAD, 1/4-28 THREAD, 1" LENGTH
	A/R	NAS1149F0463P	WASHER, 0.265 ID, 0.063 THK, STEEL
	2	NAS679A4W	NUT, SELF LOCKING, LOW HEIGHT, 1/4-28 THREAD
19	2	6L11F	BEARING-NYLINER (PLASTIC) SPECIFY (OLD STYLE)
	2	06DU08	BEARING (TEFLON-STEEL) SPECIFY

PARTS MANUAL FOR BONDED
WIPLINE MODEL 6000/6100 FLOATS S/N 61499 AND PRIOR ON DHC-2 MK I AND MK III

ITEM	QTY	PART NO.	PART DESCRIPTION
1	32	MS20219-2	PULLEY
2	2	6A08000-012	ASS'Y. CABLE, STEERING (192")
3	2	6A08000-014	ASS'Y. CABLE, RETRACT (168.5")
4	2	6A08000-013	ASS'Y. CABLE, RETRACT (161")
5	7	MS21251B3S	TURNBUCKLE, BARREL
6	1	6A08000-010	ASS'Y., CABLE RETRACT, FUS. (64.25")
7	2	6A08000-019	ASS'Y., CABLE AND PULLEY BRKT.
8	1	6A08000-009	ASS'Y., CABLE RETRACT, FUS. (27.75")
9	1	6A08000-015	ASS'Y CABLE RETRACT HANDLE (69")
10	1	6A08000-008	ASS'Y. CABLE, BALANCE SPR. BAR (132")
11	2	6A08000-011	ASS'Y. CABLE, BALANCE (104")
12	1	6A08153-003	PULLEY BRKT., RETRACT CABLE
13	1	6A08153-004	PULLEY BRKT. EXTENSION, FUS.
	1	6A08005-089	BRKT., LWR.
	1	6A08005-090	BRKT., UPR.
14	2	6A08005-091	PULLEY BRKT., FUS.
	2	6A08193-002	PIVOT, PULLEY CABLE
15	2	6A08000-021	ASS'Y., PULLEY BRKT., BELLY
16	4	6A08153-005	CLIP, CABLE GUIDE
	4	6A08601-003	PLASTIC GUIDE
17	2	0742016-1	SPRING
18	-	6A08000-016	ASS'Y. PULLEY BRKT., GUNWALL, RT.
	1	6A08355-002	BRACKET PULLEY FT.
	1	6A08365-002	BRACKET PULLEY CENTER
	1	6A08336-002	BRACKET PULLEY RR.
	1	6A08209-002	BAR, MOUNTING
	6	MS20219-2	PULLEY
	-	6A08000-017	ASSY., PULLEY BRACKET, GUNWALL LT.
	1	6A08355-001	BRACKET PULLEY FT.
	1	6A08365-001	BRACKET PULLEY CENTER
	1	6A08336-001	BRACKET PULLEY RR.
	1	6A08209-002	BAR, MOUNTING
	6	MS20219-2	PULLEY
19	1	6S08000-020	ASS'Y., RETRACT HANDLE, (SEAPLANE)
	1	6A11000-015	ASS'Y., RETRACT HANDLE & CONSOLE (AMPHIB.)

THIS PAGE INTENTIONALLY LEFT BLANK

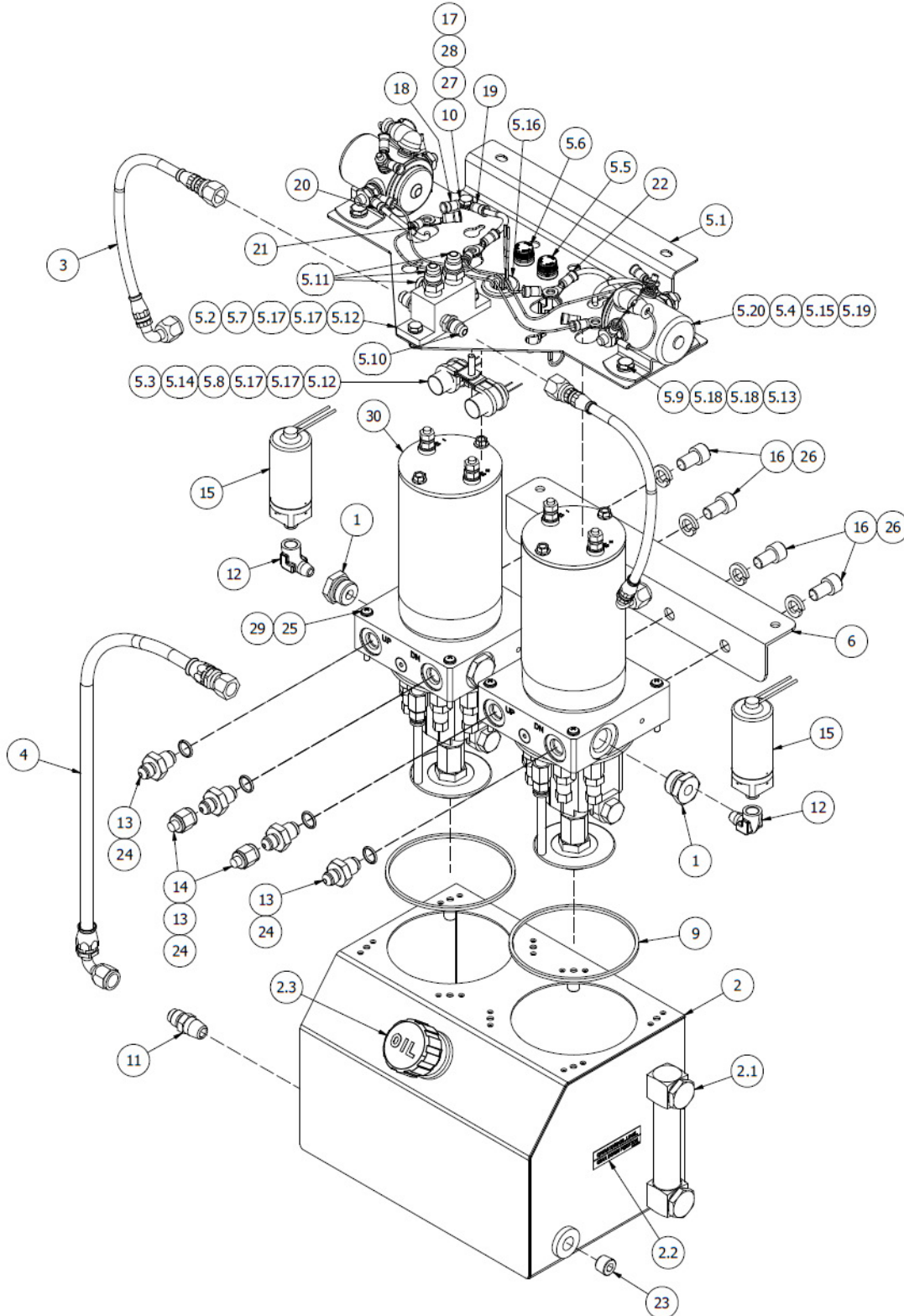
SECTION 10

HYDRAULIC SYSTEM

CONTENTS

UNIDIRECTIONAL HYDRAULIC PUMP ASSEMBLY POST SERVICE LETTER 215.....	96
UNIDIRECTIONAL HYDRAULIC PUMP ASSEMBLY PRE SERVICE LETTER 215	99
HYDRAULIC PUMP OVERVIEW POST SERVICE LETTER 215.....	101
HYDRAULIC PUMP OVERVIEW PRE SERVICE LETTER 215.....	103
HYDRAULIC SYSTEM SCHEMATIC – UNIDIRECTIONAL PUMP POST SERVICE LETTER 215	105
HYDRAULIC SYSTEM SCHEMATIC – UNIDIRECTIONAL PUMP PRE SERVICE LETTER 215.....	107
HYDRAULIC BRAKE SCHEMATIC	109

UNIDIRECTIONAL HYDRAULIC PUMP ASSEMBLY POST SERVICE LETTER 215



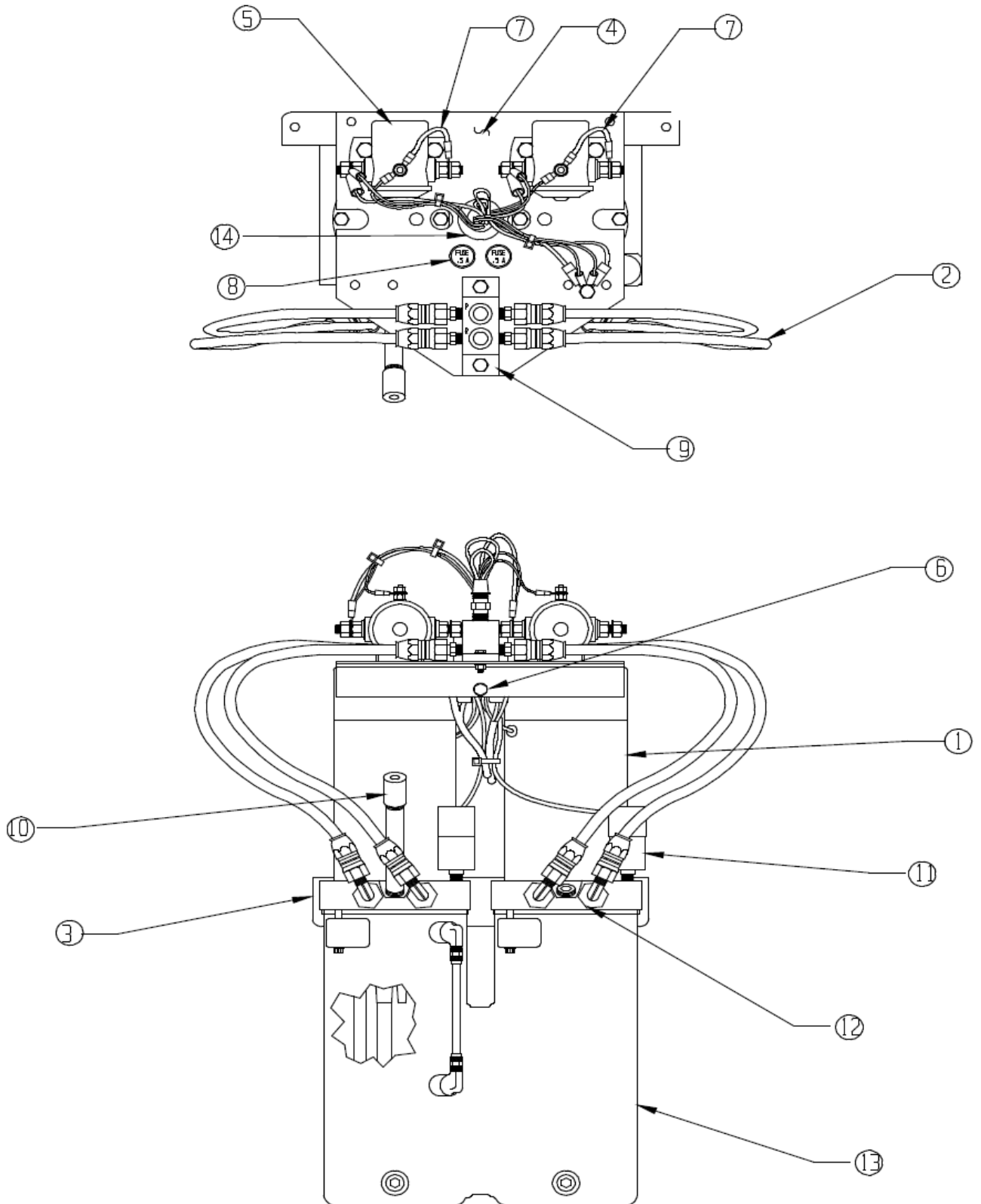
PARTS MANUAL FOR BONDED
WIPLINE MODEL 6000/6100 FLOATS S/N 61499 AND PRIOR ON DHC-2 MK I AND MK III

ITEM	QTY	PART NO.	PART DESCRIPTION
-	1	1011404	UNIDIRECTIONAL ASSEMBLY, HYDRAULIC POWER PACK (REPLACED HYDRAULIC PUMP 6A09000-029)
1	2	1011062	ASSEMBLY, PLUG, PRESSURE SWITCH PORT
2	1	1011359	ASSEMBLY, HYDRAULIC PUMP RESERVOIR
2.1	1	1192K17	LIQUID LEVEL INDICATOR
2.2	1	6A3-2199	PLACARD, OIL LEVEL
2.3	1	8631T24	BREATHER VENT
3	2	1011361-01	HYDRAULIC HOSE ASSEMBLY, MANIFOLD TO PUMP
4	1	1011361-05	HOSE, MANIFOLD TO RESERVOIR
5	1	1011402	ASSEMBLY, BRACKET, PUMP MOUNT
5.1	1	1011401	UPPER BRACKET, HYDRAULIC PUMP
5.2	1	1011405	MANIFOLD, HYDRAULIC
5.3	2	1011798	ASSEMBLY, CAPACITOR
5.4	2	3A10000-002	ASSEMBLY, SOLENOID DIODE
5.5	1	6A09000-128	ASSEMBLY, FUSE HOLDER, RIGHT
5.6	1	6A09000-129	ASSEMBLY, FUSE HOLDER, LEFT
5.7	1	AN3-5A	BOLT, 10-32, 0.25 GRIP, UNDRILLED, STEEL
5.8	1	AN3-7A	BOLT, 10-32, 0.5 GRIP, UNDRILLED, STEEL
5.9	4	AN4-5A	BOLT, 1/4-28, 0.1875 GRIP, UNDRILLED, STEEL
5.10	2	AN816-4D	NIPPLE, FLARED TUBE AND PIPE THREAD
5.11	3	AN816-5-4D	NIPPLE, FLARED TUBE AND PIPE THREAD
5.12	2	MS21044N3	NUT, LOCKING, REGULAR HEIGHT, 10-32 UNF
5.13	4	MS21044N4	NUT, LOCKING, REGULAR HEIGHT, 1/4-28 UNF
5.14	2	MS21919WDG10	CLAMP, LOOP, CUSHIONED, 5/8 TUBE OD
5.15	2	MS25036-104	RING TERMINAL, 5/16 STUD, 22-16 AWG, RED
5.16	1	MS35489-17	GROMMET, RUBBER
5.17	4	NAS1149F0332P	WASHER, 0.203 ID, 0.032 THK, STEEL
5.18	8	NAS1149F0463P	WASHER, 0.265 ID, 0.063 THK, STEEL
5.19	4	NAS1149F0532P	WASHER, 0.328 ID, 0.032 THK, STEEL
5.20	2	P52-0035-1	STARTER SOLENOID, 24V
6	1	1011403	ANGLE, PUMP MOUNT, LOWER
7	1 FT	22759-16-12-9	WIRE, 12AWG, WHITE
8	4 FT	22759-16-20-9	WIRE, 20 AWG, WHITE
9	2	4061T199	SQUARE PROFILE, O-RING, 3.5" I.D., .094 THK
10	2	AN3-4A	BOLT, 10-32, 0.125 GRIP, UNDRILLED, STEEL
11	1	AN816-5-4D	NIPPLE, FLARED TUBE AND PIPE THREAD
12	2	AN914-1D	ELBOW, 90 DEGREES, INTERNAL/EXTERNAL PIPE
13	4	AN919-3D	FITTING, REDUCER
14	2	AN929-4	CAP
15	2	GPP1250-40	PRESSURE SWITCH
16	4	MS16997-96	SOCKET HEAD CAP SCREW

PARTS MANUAL FOR BONDED
WIPLINE MODEL 6000/6100 FLOATS S/N 61499 AND PRIOR ON DHC-2 MK I AND MK III

ITEM	QTY	PART NO.	PART DESCRIPTION
17	2	MS21044N3	NUT, LOCKING, REGULAR HEIGHT, 10-32 UNF
18	4	MS25036-103	RING TERMINAL, #10 STUD, 22-16 AWG, RED
19	2	MS25036-112	RING TERMINAL, #10 STUD, 10-12 AWG, YELLOW
20	2	MS25036-113	RING TERMINAL, 5/16 STUD, 10-12 AWG, YELLOW
21	4	MS25036-150	RING TERMINAL, 1/4 STUD, 22-16 AWG, RED
22	4	MS25036-157	RING TERMINAL, 1/4 STUD, 10-12 AWG, YELLOW
23	1	MS27769D3	PLUG, PIPE, COUNTERSINK HEX HEAD
24	4	MS28775-013	"O" RING, HYDRAULIC
25	8	MS35206-252	SCREW, MACHINE, PAN HEAD
26	4	MS35338-46	WASHER, SPLIT
27	2	NAS1149F0332P	WASHER, 0.203 ID, 0.032 THK, STEEL
28	2	NAS1149F0363P	WASHER, 0.203 ID, 0.063 THK, STEEL
29	8	NAS1149FN832P	WASHER, 0.174 ID, 0.032 THK, STEEL
30	2	YBZS- D0.63W2T100K/ UVZOT2	HYDRAULIC POWER PACK, 24VDC, .64 PUMP

UNIDIRECTIONAL HYDRAULIC PUMP ASSEMBLY PRE SERVICE LETTER 215



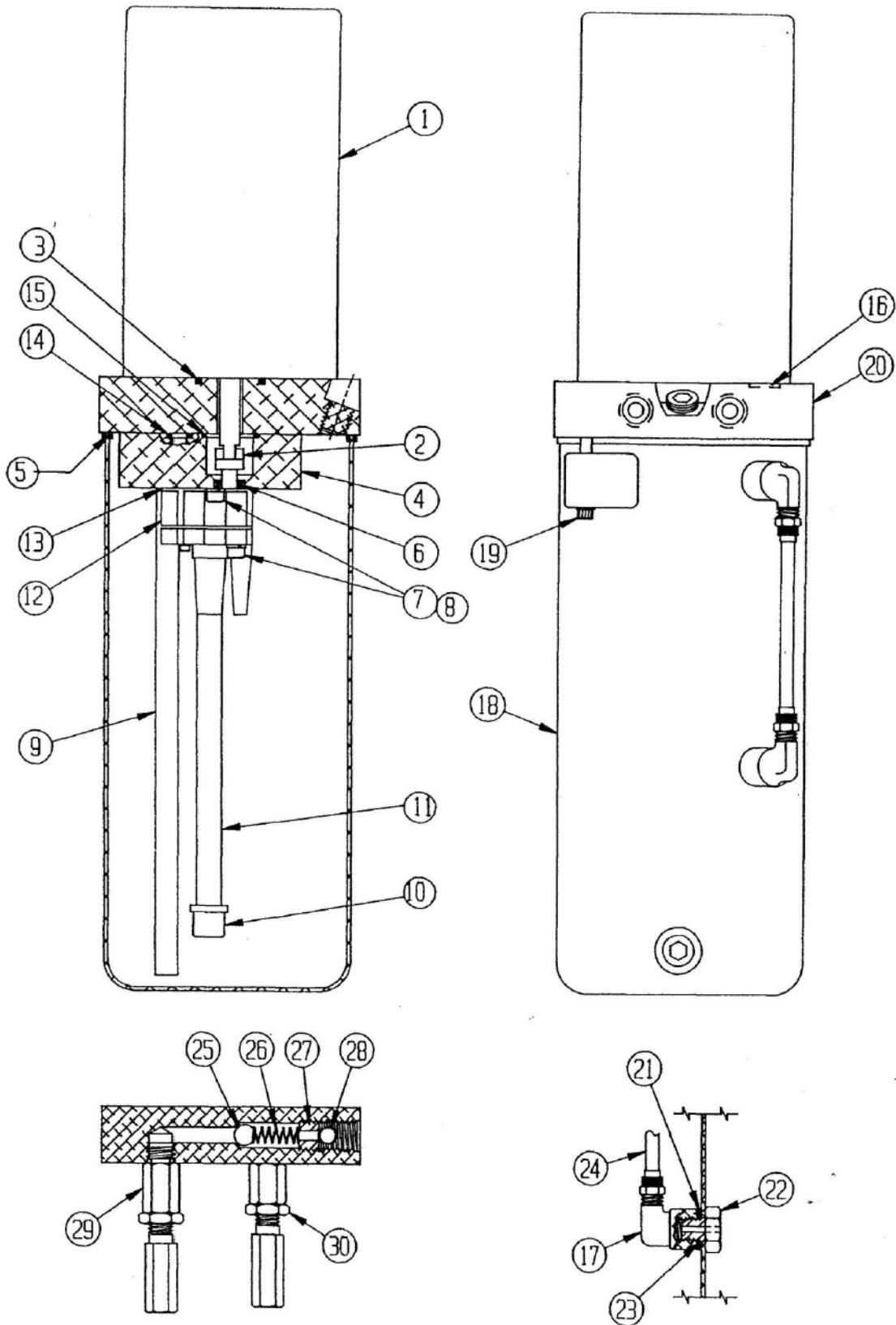
PARTS MANUAL FOR BONDED
WIPLINE MODEL 6000/6100 FLOATS S/N 61499 AND PRIOR ON DHC-2 MK I AND MK III

ITEM	QTY	PART NO.	PART DESCRIPTION
1	-	6A09000-029	ASS'Y., HYD. PUMP (24V)
2	4	8A09000-048	ASS'Y., HOSE
	4	2807-4	HOSE, (AEROQUIP) (12")
	8	63-190600-4	FTG. (AEROQUIP)
3	1	6A09348-003	ANGLE, PUMP MOUNT
	4	MS16997-96	SCREW, CAP, SOCKET HEAD, 3/8-16X.625, STEEL
	4	MS35338-46	WASHER, SPLIT, CARBON STEEL
4	1	6A09000-030	ASS'Y., BRKT., PUMP MOUNT
5	2	S1580A1 (8781-9)	CONTACTOR STARTER
	2	AN4-5A	BOLT, 1/4-28, 0.1875 GRIP, UNDRILLED, STEEL
	4	NAS1149D0463J	WASHER, 0.265 ID, 0.063 THK, ALUMINUM
	2	MS21044N4	NUT, LOCKING, REGULAR HEIGHT, 1/4-28 UNF
6	1	AN3-36A	BOLT, 10-32 THREAD, 3-3/8" GRIP, 3-25/32" LENGTH
	1	NAS1149F0363P	WASHER, 0.203 ID, 0.063 THK, STEEL
7	2	3A10000-002	ASS'Y., SOLENOID DIODE
8	2	N/A	FUSE HOLDER
	2	1/2 AMP	FUSE
9	1	6A09000-027	ASS'Y., MANIFOLD
10	1	6A09398-001	TUBE, BREATHER, FILLER
	1	6A09706-001	FILTER, BREATHER
11	2	GPP1250-23	SWITCH, PRESSURE
12	4	AN833-4D	ELBOW
	4	AN924-4D	NUT, TUBE, 7/16-20 THREAD
	4	MS28775-012	O RING, DIA 0.364
13	-	6A09000-115	ASS'Y RESERVOIR
	1	1005344	ASS'Y, SIGHT GAUGE
	1	6A09183-003	SPACER, HYDRAULIC PUMP
	1	6A3-2199	PLACARD, OPERATING OIL LEVEL
	2	704528	RESERVOIR
14	1	MS35489-17	GROMMET

PARTS MANUAL FOR BONDED
WIPLINE MODEL 6000/6100 FLOATS S/N 61499 AND PRIOR ON DHC-2 MK I AND MK III

ITEM	QTY	PART NO.	PART DESCRIPTION
1	1	202-0003	BI-DIRECTIONAL PUMP, 0.64 ML/R
2	1	299-0008	SEAL KIT, BI-DIRECTIONAL GEAR PUMP
3	1	610-0017	DC MOTOR, 24V, .8 KW
4	2	631-0005	PRESSURE RELIEF VALVE
5	2	631-0006	THERMAL RELIEF VALVE
6	2	632-0004	ASSEMBLY, PILOT OPERATED CHECK VALVE
7	1	637-0024	SHUTTLE VALVE
8	1	682-0019	FILTER, PICKUP TUBE, HYDRAULIC PUMP
9	1	682-0055	SUCTION HEX TUBE
10	1	682-0056	RETURN TUBE
11	1	683-0011	COUPLING, MOTOR TO PUMP
12	2	685-0012	SPRING, SHUTTLE VALVE
13	1	687-0001	SEAL KIT, RESERVIOR O-RING, PILOT OPERATED RELIEF VALVE O-RING, THERMAL AND PRESSURE RELIEF VALVE O-RING (NOT SHOWN)

HYDRAULIC PUMP OVERVIEW PRE SERVICE LETTER 215

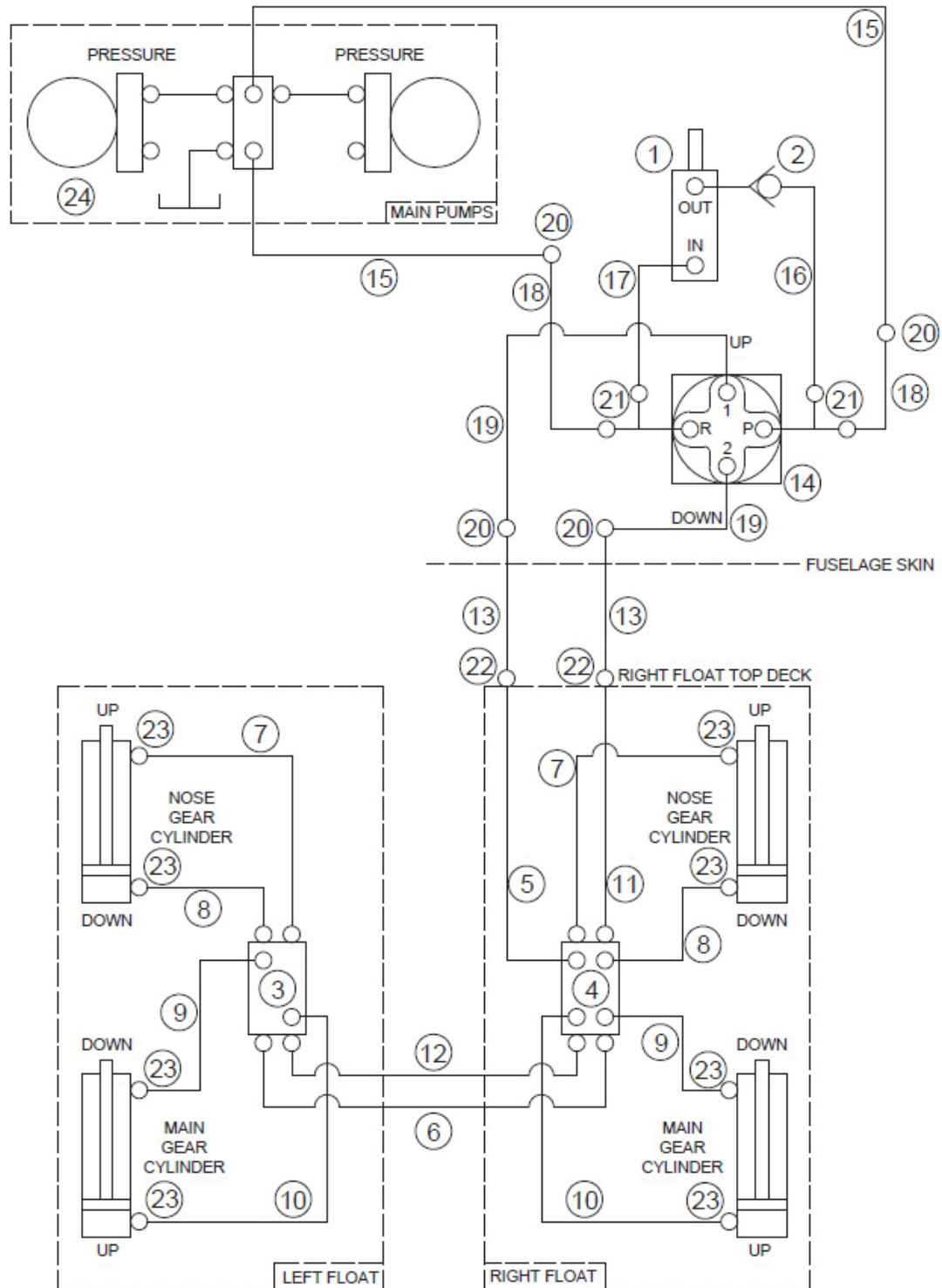


PARTS MANUAL FOR BONDED
WIPLINE MODEL 6000/6100 FLOATS S/N 61499 AND PRIOR ON DHC-2 MK I AND MK III

ITEM	QTY	PART NO.	PART DESCRIPTION
-	1	6A09000-029	ASSY., MOTOR AND PUMP (24 V)
1	1	MB56-N1	MOTOR (24 V)
2	1	361730	COUPLING
3	1	409406	O RING, 7/8"
4	1	361726	SPACER
5	1	410958*	RESERVOIR SEAL
6	1	410512*	OIL SEAL
7	4	410410*	LOCK WASHER
8	4	406187*	RESERVOIR BOLTS
9	1	409894	PIPE NIPPLE
10	1	410521*	FILTER
11	1	361843	TUBE, EXTENSION
12	1	636603A	PUMP ASS'Y W/ MOTOR
13	2	405387	O-RING (USE MS28775-009)
14	2	401273*	O RING, 1/4" DIA
15	1	MS28775-020	O RING, DIA 0.846 (OLD P/N 404070)
16	2	361615	PILOT WASHER
17	1	41330	ELBOW
18	1	6A09000-115	ASS'Y, RESERVOIR
19	2	406187*	RESERVOIR BOLTS
	2	409357*	WASHER, 3/16 DIA
20	1	361473	ADAPTOR, PUMP BLOCK
21	1	361049	RETAINER, O - RING FLAT, 1/2" DIA
22	2	360824	SCREW, SIGHT GAUGE
23	2	402266	O-RING (USE MS28775-110)
24	1	361507	TUBE, SIGHT GAUGE
25	1	490405*	STEEL BALL
26	1	410462*	SPRING
27	1	409211*	LOCK SCREW, 7/16" DIA
28	1	409263	PIPE PLUG
29	1	704520*	ASS'Y., VALVE, PRESSURE RELIEF
30	1	704522*	ASS'Y., VALVE, THERMAL RELIEF

* Reference Wipaire drawing 1011032 for alternate part numbers.

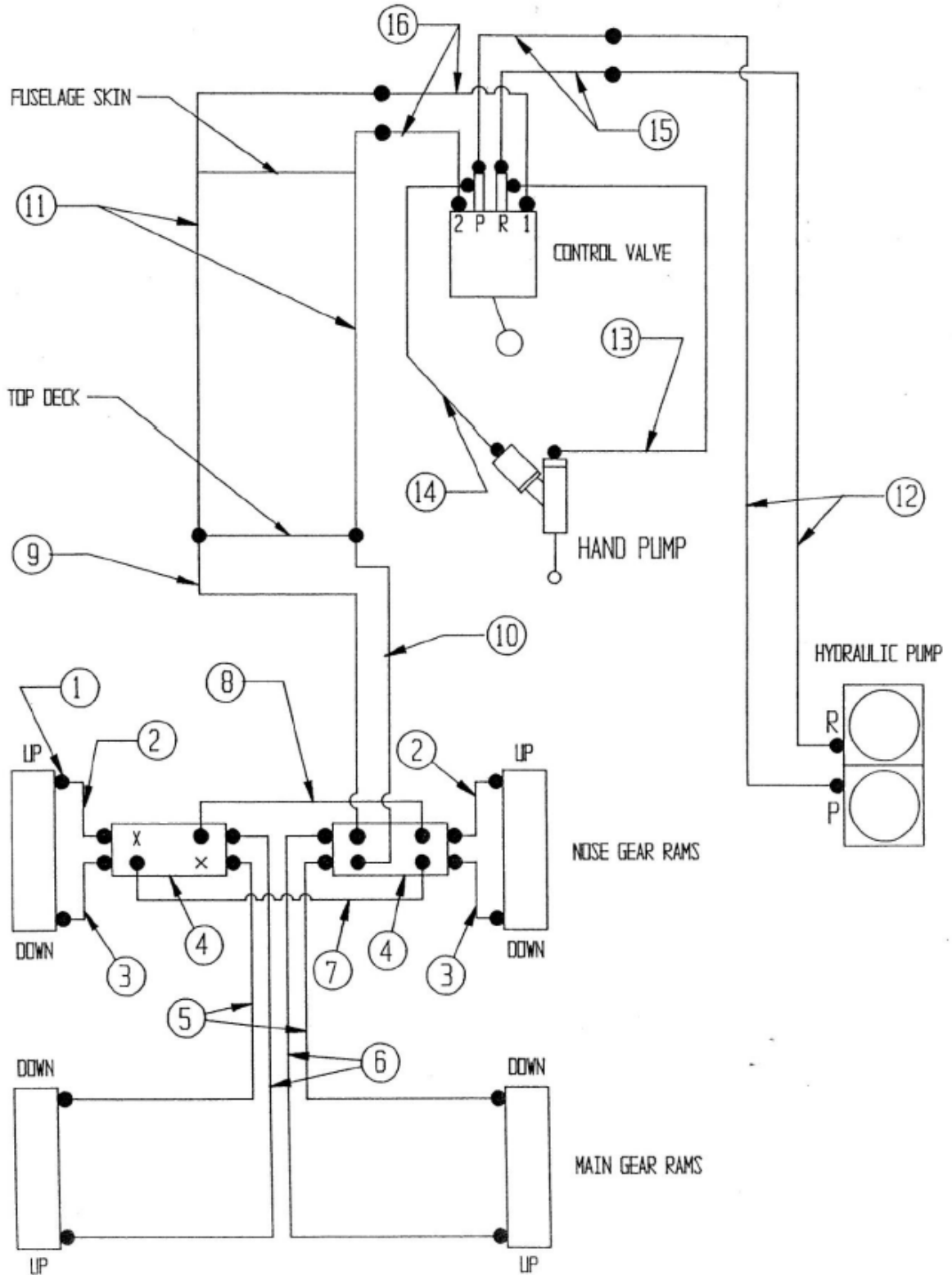
HYDRAULIC SYSTEM SCHEMATIC – UNIDIRECTIONAL PUMP POST SERVICE LETTER 215



PARTS MANUAL FOR BONDED
WIPLINE MODEL 6000/6100 FLOATS S/N 61499 AND PRIOR ON DHC-2 MK I AND MK III

ITEM	QTY	PART NO.	PART DESCRIPTION
1	1	1280114-2	HAND PUMP
2	1	6A09000-024	ASSEMBLY, HAND PUMP CHECK VALVE
3	1	6A09000-027	ASSEMBLY, MANIFOLD
4	2	6A09000-028	ASSEMBLY, MANIFOLD
5	1	6A09000-054	ASSEMBLY, HYD. HOSE, MANIFOLD TO RIGHT FLOAT DECK (13.5")
6	1	6A09000-058	ASSEMBLY, HYD. HOSE, SPREADER BAR, GEAR DN (126")
7	2	6A09000-064	ASSEMBLY, HYD. HOSE, MANIFOLD TO NOSE GEAR UP (76")
8	2	6A09000-065	ASSEMBLY, HYD. HOSE, MANIFOLD TO NOSE GEAR DN (54")
9	2	6A09000-066	ASSEMBLY, HYD. HOSE, MANIFOLD TO MAIN GEAR DN (82")
10	2	6A09000-067	ASSEMBLY, HYD. HOSE, MANIFOLD TO MAIN GEAR UP (115")
11	1	6A09000-068	ASSEMBLY, HYD. HOSE, MANIFOLD TO RIGHT FLOAT DECK (15")
12	1	6A09000-069	ASSEMBLY, HYD. HOSE, SPREADER BAR, GEAR UP (125")
13	2	6A09000-070	ASSEMBLY, HYD. HOSE, RIGHT FLOAT DECK TO FUSELAGE (96")
14	1	6A09000-080	SELECTOR VALVE
15	2	6A09000-097	ASSEMBLY, HYD. HOSE, PUMP TO GEAR SELECTOR (216")
16	1	6A09000-098	ASSEMBLY, HYD. HOSE, HAND PUMP OUT TO GEAR SELECTOR (6.63")
17	1	6A09000-099	ASSEMBLY, HYD. HOSE, HAND PUMP IN TO GEAR SELECTOR (6")
18	2	6A09000-100	ASSEMBLY, HYD. HOSE, GEAR SELECTOR TO UNION (36")
19	2	6A09000-101	ASSEMBLY, HYD. HOSE, GEAR SELECTOR TO UNION (36")
20	4	AN815-5D	FITTING, UNION, FLARED TUBING
21	4	AN816-5-4D	FITTING, FLARED TUBE AND PIPE THREAD
22	2	AN833-5D	FITTING, ELBOW, 90°, BULKHEAD
23	8	MS20822-4D	FITTING, ELBOW, 90°
24	1	YBZS-D0.63W2T100K/UVZOT2	HYDRAULIC PUMP, 24VDC
	A/R	N/A	FITTING END (NOT SHOWN)
		63-190600-4	-4 STRAIGHT FITTING
		63-190600-5	-5 STRAIGHT FITTING
		190773-4	-4 45° FITTING
		190773-5	-5 45° FITTING
		190772-4	-4 90° FITTING
		190772-5	-5 90° FITTING

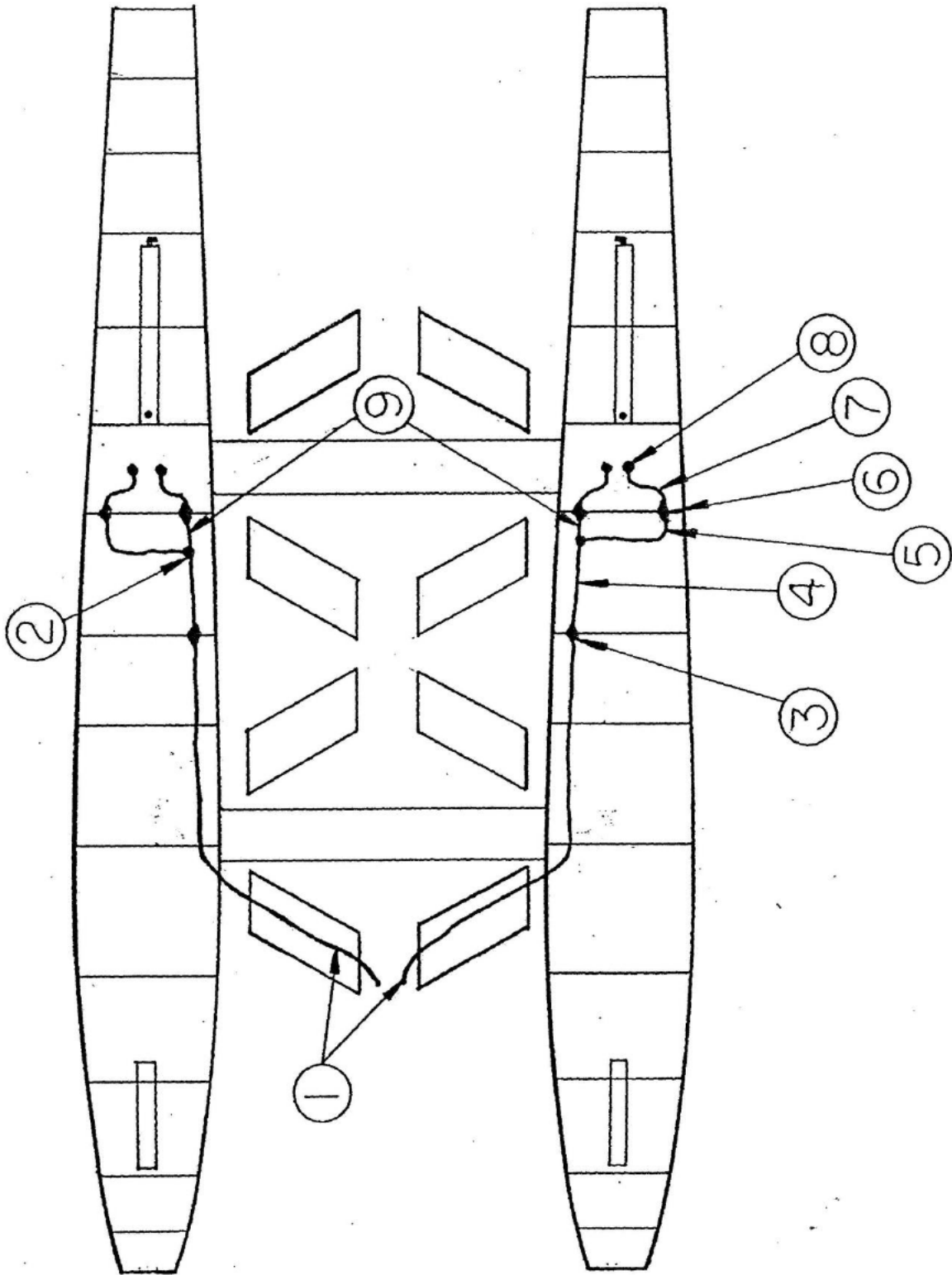
HYDRAULIC SYSTEM SCHEMATIC – UNIDIRECTIONAL PUMP PRE SERVICE LETTER 215



PARTS MANUAL FOR BONDED
WIPLINE MODEL 6000/6100 FLOATS S/N 61499 AND PRIOR ON DHC-2 MK I AND MK III

ITEM	QTY	PART NO.	PART DESCRIPTION
1	8	MS20822-4D	ELBOW
2	2	6A09000-064	LINE ASS'Y (76") MAN. TO N. GEAR UP
3	2	6A09000-065	LINE ASS'Y (54") MAN. TO N. GEAR DN.
4	2	6A09000-028	ASS'Y MANIFOLD
5	2	6A09000-066	LINE ASS'Y., (82") MAN. TO M. GEAR DN.
6	2	6A09000-067	LINE ASS'Y., (115") MAN. TO M. GEAR UP
7	2	6A09000-058	LINE ASS'Y., SPR. BAR (126")
8	1	6A09000-069	LINE ASS'Y., SPR. BAR (125")
9	4	6A09000-054	LINE ASS'Y., MAN. TO FLT. DECK (13.5")
10	1	6A09000-068	LINE ASS'Y., MAN. TO FLT. DECK (15")
11	2	6A09000-070	LINE ASS'Y., TOP DECK TO FUSE. (96")
12	2	6A09000-097	LINE ASS'Y., HYD. PUMP TO SELECTOR. (216")
13	1	6A09000-099	LINE ASS'Y., HAND PUMP TO SELECTOR (6")
14	1	6A09000-098	LINE ASS'Y., HAND PUMP TO SELECTOR (6.63")
15	2	6A09000-100	LINE ASS'Y., SELECTOR TO FUSE. (36")
16	2	6A09000-101	LINE ASS'Y., SELECTOR TO FUSE. (36")
17	-	N/A	FITTINGS END (NOT SHOWN)
	A/R	63-190600-4	¼ STRAIGHT FITTING
	A/R	63-190600-5	5/16 STRAIGHT FITTING
	A/R	190773-4	¼ 45Ø FITTING
	A/R	190773-5	5/16 45Ø FITTING
	A/R	190772-4	¼ 90Ø FITTING
	A/R	190772-5	5/16 90Ø FITTING

HYDRAULIC BRAKE SCHEMATIC



PARTS MANUAL FOR BONDED
WIPLINE MODEL 6000/6100 FLOATS S/N 61499 AND PRIOR ON DHC-2 MK I AND MK III

ITEM	QTY	PART NO.	PART DESCRIPTION
1	2	6A04000-023	ASS'Y., BRAKE LINE, FT. STRUT
	1	2807-4	LINE-AEROQUIP (83")
	2	63-190600-4	FTG. AEROQUIP
2	2	AN824-4D	TEE
3	2	AN832-4D	FTG., BULK.
	2	NAS1149D0863J	WASHER, 0.515 ID, 0.063 THK, ALUMINUM
	2	AN924-4D	NUT, TUBE, 7/16-20 THREAD
4	2	6A04000-024	ASS'Y., BRAKE LINE (34")
	2	.035 X ¼ X 34"	LINE-ALUMINUM
	4	MS20819-4D	SLEEVE
	4	AN818-4D	NUT, TUBE COUPLING, ALUMINUM, TUBE OD 0.250
5	2	6A04000-25	ASSY., BRAKE LINE (20.75")
	2	.035 X ¼ X 20.75"	LINE-ALUMINUM
	4	MS20819-4D	SLEEVE
	4	AN818-4D	NUT, TUBE COUPLING, ALUMINUM, TUBE OD 0.250
6	4	AN832-4D	FTG., BULK.
	4	NAS1149D0863J	WASHER, 0.515 ID, 0.063 THK, ALUMINUM
	4	AN924-4D	NUT, TUBE, 7/16-20 THREAD
7	4	6A04000-026	ASS'Y., BRAKE LINE
	1	2807-4	LINE-AEROQUIP (14")
	2	63-190600-4	FTG. AEROQUIP
8	2	MS20823-4D	ELBOW (45 DEG)
	2	6A04258-004	ADAPTOR
9	2	6A04000-027	ASS'Y., BRAKE LINE (5.25")
	2	.035 X ¼ X 5.25"	LINE-ALUMINUM
	4	MS20819-4D	SLEEVE
	4	AN818-4D	NUT, TUBE COUPLING, ALUMINUM, TUBE OD 0.250
10	2	MS35489-9	GROMMET

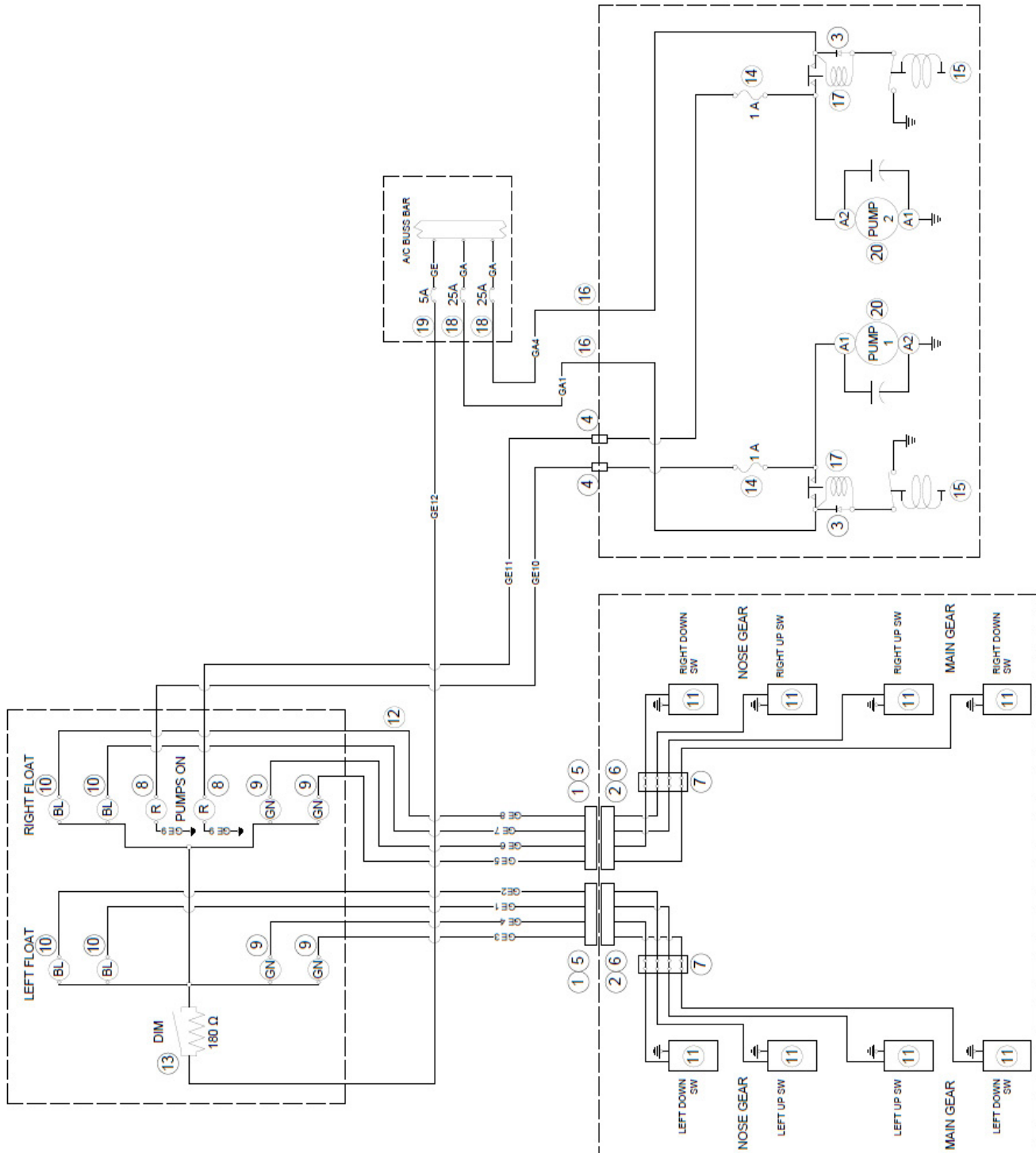
SECTION 11

ELECTRICAL SCHEMATIC

CONTENTS

ELECTRICAL SCHEMATIC - UNIDIRECTIONAL PUMP POST SERVICE LETTER 215	112
ELECTRICAL SCHEMATIC - UNIDIRECTIONAL PUMP PRE SERVICE LETTER 215.....	114

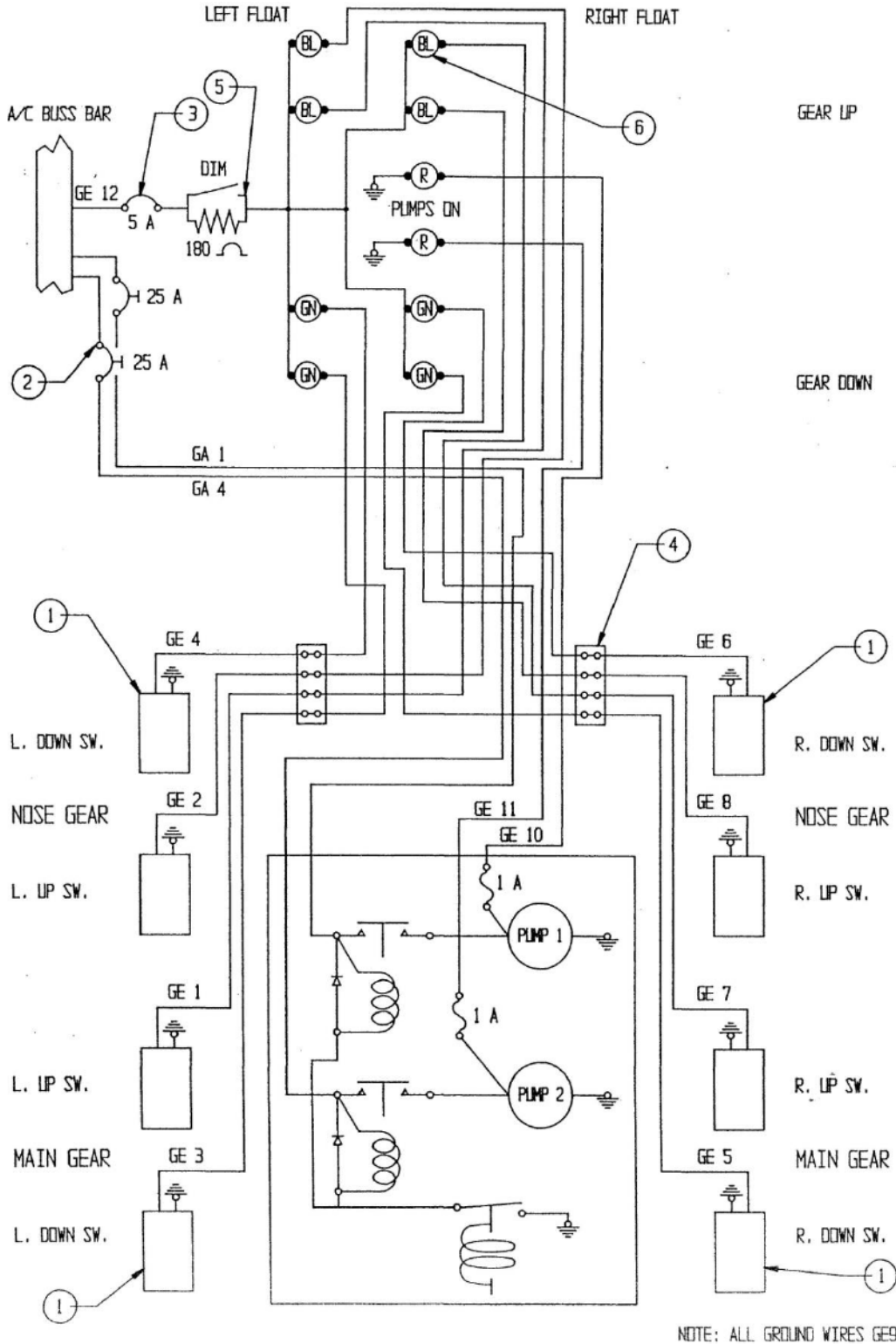
ELECTRICAL SCHEMATIC - UNIDIRECTIONAL PUMP POST SERVICE LETTER 215



PARTS MANUAL FOR BONDED
WIPLINE MODEL 6000/6100 FLOATS S/N 61499 AND PRIOR ON DHC-2 MK I AND MK III

ITEM	QTY	PART NO.	PART DESCRIPTION
1	2	1-480702-0	PLUG, 4 POSITION
2	2	1-480703-0	RECEPTACLE, 4 POSITION
3	2	1N4004	DIODE, 400V, 1 AMP
4	2	320559	CRIMP TERMINAL, BUTT, 22-16 AWG
5	8	350689-1	SOCKET
6	8	350690-1	PIN
7	2	4-140	TERMINAL BLOCK, 4 LUG
8	2	5073918-1431-600	LAMP, RED, 24V
9	4	5073918-1432-600	LAMP, GREEN, 24V
10	4	5073918-1434-600	LAMP, BLUE, 24V
11	8	5801	PROXIMITY SWITCH
12	1	6A11000-027	WIRE HARNESS
13	1	A101SYCB	SWITCH, DIMMER
14	2	AGC-1	FUSE, 1 AMP
15	2	GPP1250-40	PRESSURE SWITCH
16	A/R	MIL-W-22759 -16-12-9	WIRE, 12 AWG
17	2	P52-0035-1	STARTER SOLENOID, 24V
18	2	W23-X1A1G-25	CIRCUIT BREAKER, 25 AMP
19	1	W23-X1A1G-5	CIRCUIT BREAKER, 5 AMP
20	1	YBZS- D0.63W2T100K/ UVZOT2	HYDRAULIC PUMP

ELECTRICAL SCHEMATIC - UNIDIRECTIONAL PUMP PRE SERVICE LETTER 215



PARTS MANUAL FOR BONDED
WIPLINE MODEL 6000/6100 FLOATS S/N 61499 AND PRIOR ON DHC-2 MK I AND MK III

ITEM	QTY	PART NO.	PART DESCRIPTION
1	8	5801	PROXIMITY SWITCH
2	2	109-240-101	CIRCUIT BREAKER (25 AMP.)
3	1	435-205-105	CIRCUIT BREAKER (5 AMP.)
4	2	1-480702-0	PLUG (4 POSITION)
	2	1-480703-0	RECEPTICAL
	8	350689-1	SOCKET
	8	350690-1	PIN
5	1	A101SYCB	SWITCH DIMMER
6	4	5073918-1434-600	LAMP BLUE (28V)
	4	5073918-1432-600	LAMP GREEN (28V)
	2	5073918-1431-600	LAMP RED (28V)

THIS PAGE INTENTIONALLY LEFT BLANK

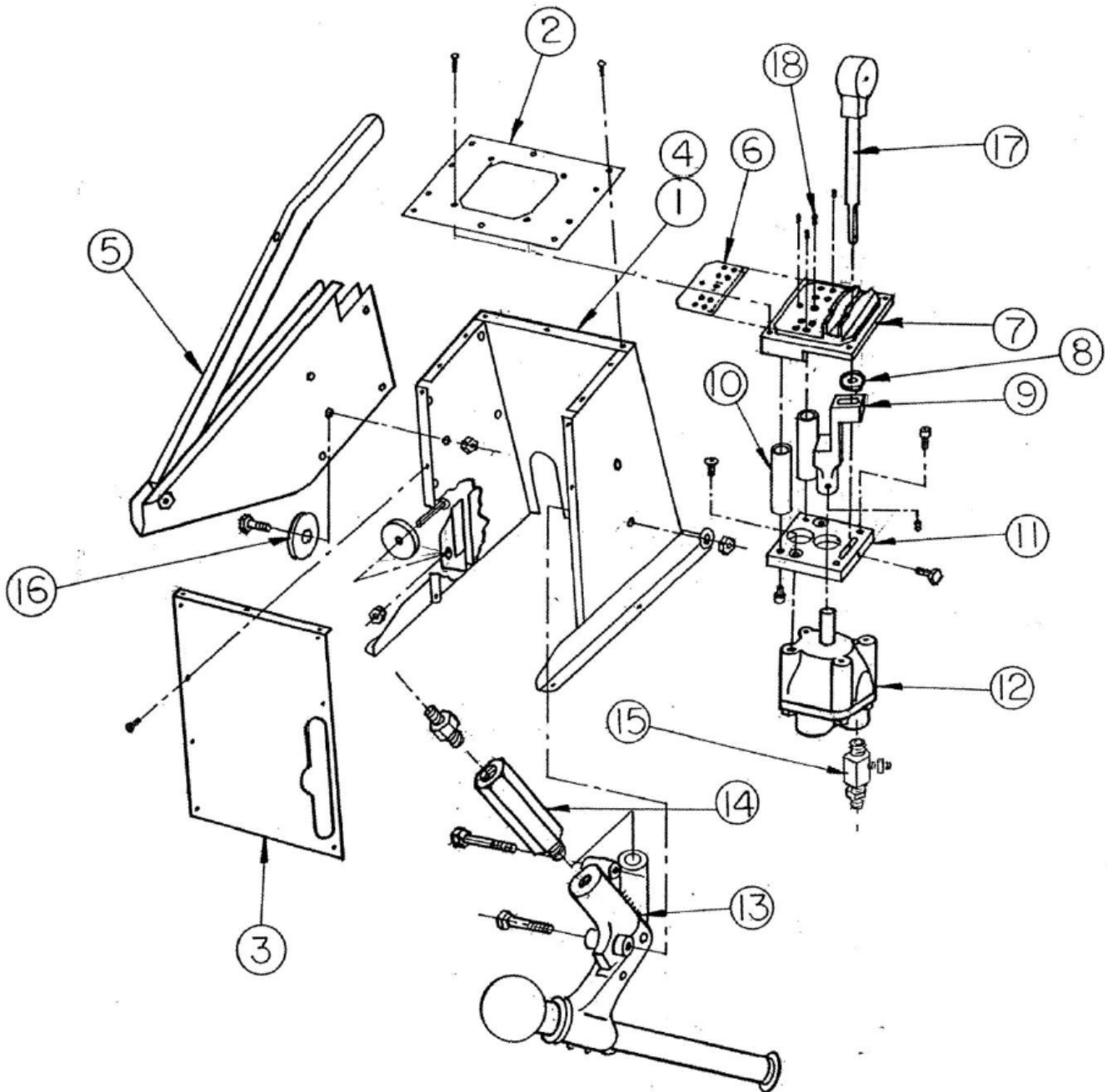
SECTION 12

CONTROL CONSOLE

CONTENTS

CONTROL CONSOLE - AMPHIBIAN 118

CONTROL CONSOLE - AMPHIBIAN



PARTS MANUAL FOR BONDED
WIPLINE MODEL 6000/6100 FLOATS S/N 61499 AND PRIOR ON DHC-2 MK I AND MK III

ITEM	QTY	PART NO.	PART DESCRIPTION
1	1	6A11000-001	ASS'Y. CONSOLE
2	1	6A11156-024	COVER TOP CONSOLE
3	1	6A11005-084	COVER CONSOLE BACK
4	1	6A11005-085	BODY CONSOLE
5	1	6A08414-002	HANDLE, WATER RUDDER RETRACT
6	1	5A3-694	PLACARD, SELECTOR
7	1	6A11190-001	HOUSING, SELECTOR
8	1	6A11704-001	BALL – GEAR SELECTOR
9	1	6A11032-002	ARM GEAR, SELECTOR
10	1	6A11278-001	BUSHING
11	1	6A11190-001	PLATE, SELECTOR MOUNT
12	1	6A09000-080	CONTROL VALVE
	1	KD70119	REPAIR KIT
13	1	1280114-2	HAND PUMP
14	1	6A09000-024	ASS'Y CHECK VALVE
	1	6A09258-003	BODY CHECK VALVE
	1	2203C-1	CHECK VALVE
	3	MS28775-012	O RING, DIA 0.364
	1	MS20822-4D	ELBOW
	1	6A11705-001	FTG., HAND PUMP
15	2	6A11261-005	FTG., TEE SELECTOR VALVE
16	2	MS20219-02	PULLEY
	2	AN4-17A	BOLT, 1/4-28 THREAD, 1-7/16" GRIP, 1-29/32" LENGTH
	2	NAS1149D0463J	WASHER, 0.265 ID, 0.063 THK, ALUMINUM
	2	MS21044N4	NUT, LOCKING, REGULAR HEIGHT, 1/4-28 UNF
17	1	6A11506-001	HANDLE
18	4	5073918-1434-600	LAMP, BLUE (28 V)
	4	5073918-1432-600	LAMP, GREEN (28 V)
	2	5073918-1431-600	LAMP, RED (28 V)
19	1	6A11603-002	KNOB, SELECTOR
	1	6A11274-002	WASHER, SELECTOR KNOB
20	1	6A11003-024	PANEL, RETRACT HANDLE, RT.
	1	6A11003-025	PANEL, RETRACT HANDLE, LT.