



WIPLINE FLOATS • SKIS • MODIFICATIONS • AIRCRAFT SALES
AVIONICS • INTERIOR • MAINTENANCE • PAINT REFINISHING



**PARTS MANUAL
FOR
WIPLINE MODEL 6000 AND 6100
AMPHIBIAN & SEAPLANE BONDED FLOATS
SERIAL NUMBER 61499 AND PRIOR
PILATUS**

Revision L

1700 Henry Ave. - Fleming Field (KSGS), South St. Paul, MN 55075
Ph: 651.451.1205 Fax: 651.457.7858
www.wipaire.com

THIS PAGE INTENTIONALLY LEFT BLANK

LOG OF REVISIONS

Revision	Pages Affected	Description	Date
A	All	Initial Release	8/11/2012
B	All	Reformat document, update part numbers and figures throughout.	6/12/2014
C	3, 4, 144, 145	Removed Warranty Claim Form, Added Hyd. Pump BOM.	3/31/2016
D	All	Updated header and footer. Corrected Oleo (O-ring) image and BOM. Updated Oleo shock strut wiper. Removed new customer information form. Updated Water Rudder Blade drawing and parts. Changed Klixon Circuit Breaker from 10 amp to 20 amp in Electrical Schematic. Updated spreader bar parts and drawings. Updated Nose Fork and Pivot Assembly. Added missing Nose Gear Retraction Assembly drawing. Added nose wheel assembly drawing and parts. Updated table of Contents. Updated title page with float serial number and bonded floats instead of new riveted floats.	8/22/2019
E	124	Updated Nut H10-4 to NAS679A4W in Water Rudder Blade.	9/26/2019
F	134, 141	Housing Connector Assembly 2601048-200 is no longer available, it has been replaced by 73F-250-32-NL Female Connector, 10-12 AWG and 73M-250-32-NL Male Connector, 10-12 AWG.	11/4/2019
G	48, 51, 68-71	Updated drawing and added hardware for 6A02362-007 Float Deck Fitting. Updated drawing and parts hardware for Aft Spreader Bar 6A03000-007 and Fwd Spreader Bar 6A03000-024. Changed 6A03702-009 Bolt, Spreader Bar Modified quantity from 88 to 8.	4/27/2020
H	All	Updated manual in new software. Updated Nose Wheel Assembly 1003233 image and associated parts.	7/24/2020
J	All	Added note about nose and main gear tire/tube. Changed Nut MS21045-6 to MS21044N6 in Water Rudder Blade Installation. Added sections for Pre/Post Service Letter 214 for Hydraulics and Electrical. Updated Hydraulic Schematic for Bidirectional Pump image and parts list. Added Hydraulic Pump 1011404 image and parts. Added Bidirectional Hydraulic Pump Plate Mount Assembly 1011435 image and parts list. Updated Hydraulic Pump Overview image and parts list. Updated Electrical Schematic for Bidirectional pump image and parts list.	5/10/2021
K	All	Changed Vortex Generator 6P12562-002 to 8A12562-001 in Miscellaneous Fuselage Items section. Combined various sections. Moved Hydraulic Brake Schematic to Hydraulic System section. Combined Main Gear, Oleo Shock Strut, and Nose Gear sections into one Landing Gear section. Relabeled section 12 as Water Rudder, Steering, & Retract Cables. Combined Steps section with Struts section and Spreader Bar section. Combined Fuselage Reinforcement section with Miscellaneous Fuselage Items section. Added item 6 in Water Rudder Blade Installation section to image and parts list.	1/5/2022
L	47, 120	Added 1011004 Assembly, Cup, Pumpout, Duckbill, 1011808 Retainer, Valve, Duckbill, Pumpout Plug, and 1011870 Valve, Duckbill to Pumper Tube section. Updated part numbers in Hydraulic System Schematic - Bidirectional Pump PC-6 Pre and Post Service Letter 214.	7/19/2022

View most current version of parts manual at www.wipaire.com.

THIS PAGE INTENTIONALLY LEFT BLANK

TABLE OF CONTENTS

FLOAT PART SALES DEPARTMENT OPERATIONS	6
INTRODUCTION	7
SECTION 1 HULL ASSEMBLY – AMPHIBIAN AND SEAPLANE.....	9
SECTION 2 MISCELLANEOUS HULL PARTS.....	25
SECTION 3 WHEEL WELL AREA	31
SECTION 4 STEP AREA – SEAPLANE	35
SECTION 5 HULL EXTRUSIONS	39
SECTION 6 PUMPER TUBE	45
SECTION 7 STRUTS, STEPS, & SPREADER BAR	49
SECTION 8 FUSELAGE	59
SECTION 9 LANDING GEAR	67
SECTION 10 WATER RUDDER, STEERING, & RETRACT CABLES.....	97
SECTION 11 HYDRAULIC SYSTEM	103
SECTION 12 ELECTRICAL SCHEMATIC	125

FLOAT PART SALES DEPARTMENT OPERATIONS

Parts Sales:

Wipaire, Inc.

1700 Henry Avenue – Fleming Field

South St. Paul, MN 55075

Telephone: (651) 306-0459

Fax: (651)-306-0666

Website: www.wipaire.com

Email: customerservice@wipaire.com

Note: Any information not found in this manual for strut package parts and other installation items refer to the installation drawing package provided with the STC at the time of float installation. Additional drawing copies are available for purchase through the Wipaire Customer Service Department.

Parts Ordering

Purchase orders should include:

1. Purchase order number
2. Name of person placing order
3. Invoicing information:
 - a. Customer name - company or individual
 - b. Address
 - c. Phone and fax number
4. Shipping information:
 - a. Address (if different from invoice address)
 - b. Method of shipment/preferred carrier
5. Aircraft model, float model, and serial numbers
6. Wipaire part number; name; type, e.g. left or right; quantity
7. Payment method: VISA, MasterCard, C.O.D. (Collect on Delivery) (U.S. customers only), pre-payment by check or wire transfer, open account (see Credit Policy)

INTRODUCTION

All references in this manual to LEFT and RIGHT are from the perspective of the pilot's seat with the floats fully installed and ready for floatplane operation.

The following is a list of abbreviations that may appear in the description nomenclature fields of this manual:

AB	Afterbody	Inbd.	Inboard
Amphib.	Amphibious	Lg.	Large
AR	As Required	Lt.	Left
Assy.	Assembly	Lwr.	Lower
Brkt.	Bracket	Opt.	Optional
Btm.	Bottom	Otbd.	Outboard
Bulk.	Bulkhead	Reinf.	Reinforcement
Ctr.	Center	Rr.	Rear
Cyl.	Cylinder	Rt.	Right
Ft.	Front	Sm.	Small
Ftg.	Fitting	SN	Serial Number
Fus.	Fuselage	Spr.	Spreader
Fwd	Forward	Up.	Upper
Horiz.	Horizontal	Vert.	Vertical
Hyd.	Hydraulic	W.W.	Wheel Well

USING THIS PARTS MANUAL

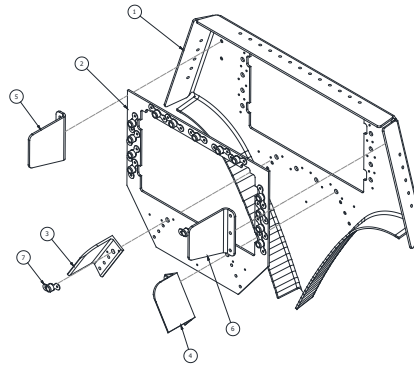
COVERAGE

Parts information is provided in this manual for the hulls and all "deck down" parts. For information on strut package parts and other aircraft installation items, refer to the installation drawing package provided with the STC at the time of float installation. Additional drawing copies are available for purchase through Wipaire Customer Service Department.

Name of main part in the section. Example: This part is showing the components made up in Bulkhead #1.

BULKHEAD #1

Main part image. If the image has numbers associated with it, then those numbers are item numbers shown in the table below.



Items with a (-) instead of a number represent the main part as an assembly. Other parts represent the parts included in the assembly.

ITEM	QTY	PART NO.	PART DESCRIPTION
-	1	1008815	ASSEMBLY BULKHEAD #1, 10000
1	1	1008797	PANEL, BULKHEAD #1
2	1	13A01156-085	DOUBLER #1 BULKHEAD
3	1	13A01357-049	CLEAT, SISTER KEEL ATTACH #1 BULKHEAD
4	1	13A01357-050	CLEAT, SISTER KEEL ATTACH #1 BULKHEAD
5	1	6A01156-054	ANGLE – TOP RAIL
6	1	6A01156-055	ANGLE – TOP RAIL
7	17	MS21047L4	NUT PLATE, SELF LOCKING

To order an individual part, order the part number associated with item number.

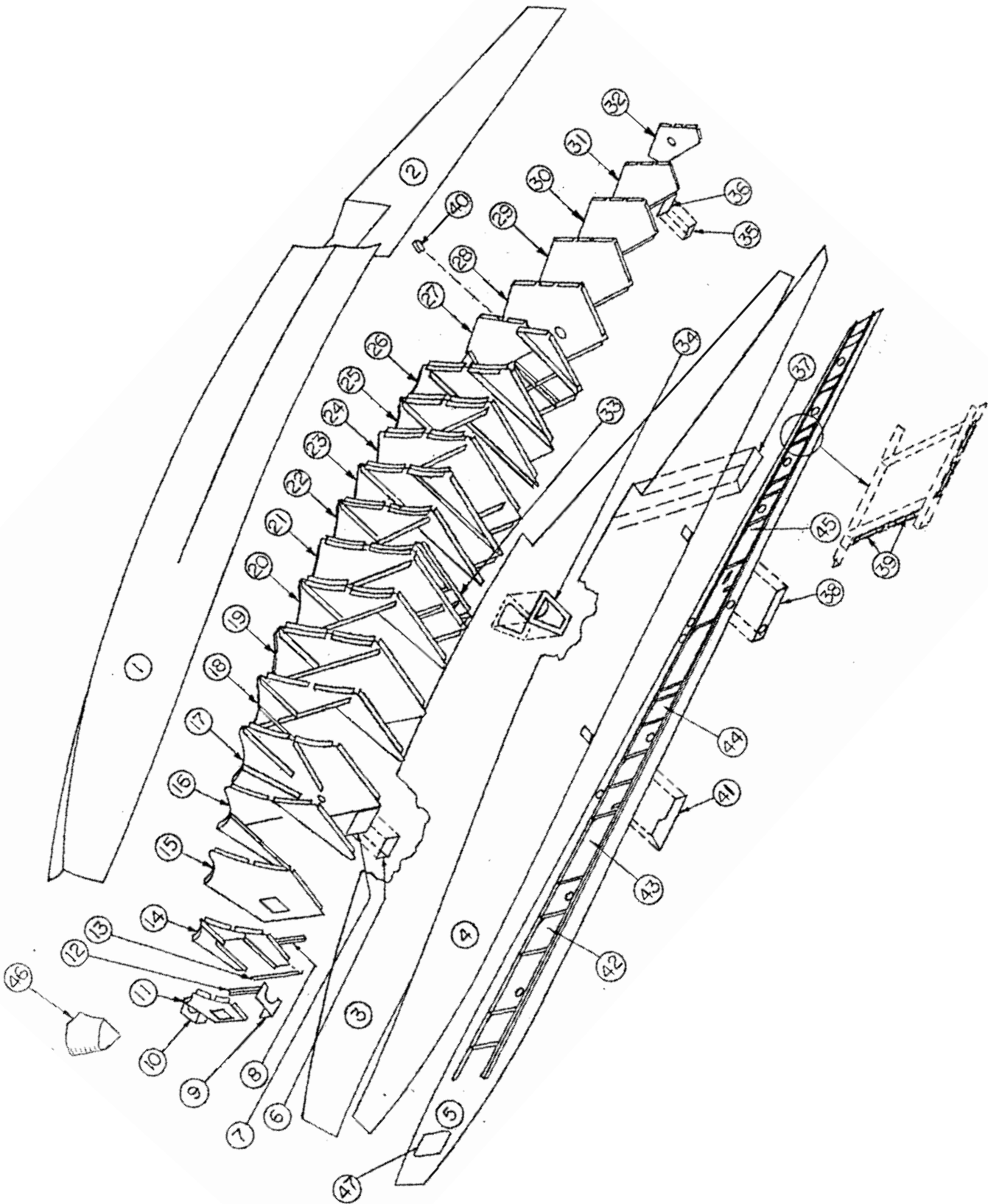
SECTION 1

HULL ASSEMBLY – AMPHIBIAN AND SEAPLANE

CONTENTS

HULL ASSEMBLY - AMPHIBIAN.....	10
HULL ASSEMBLY - SEAPLANE	17

HULL ASSEMBLY - AMPHIBIAN



PARTS MANUAL FOR BONDED
WIPLINE MODEL 6000/6100 FLOATS S/N 61499 AND PRIOR ON PILATUS

ITEM	QTY	PART NO.	PART DESCRIPTION
1	1	6A01151-052	SKIN, BTM., RT. FWD.
	1	6A01151-051	SKIN, BTM., LT. FWD.
2	1	6A01158-134	SKIN, AB RT.
	1	6A01158-135	SKIN, AB LT.
3	1	6A01158-032	SKIN, SIDE, OTBD., RT. FLOAT FWD.
	1	6A01158-033	SKIN, SIDE, OTBD., LT. FLOAT FWD.
4	1	6A01158-030	SKIN, SIDE, INBD., RT. FLOAT FWD.
	1	6A01158-031	SKIN, SIDE, INBD., LT. FLOAT FWD.
5	1	6A01158-036	SKIN, TOP RT. FLOAT
	1	6A01158-037	SKIN, TOP LT. FLOAT
	1	6A01348-002	ANGLE, TOP SKIN, LONG RT.
	1	6A01348-001	ANGLE, TOP SKIN, LONG LT.
	2	6A01352-006	ANGLE, SHORT BAGGAGE COMPARTMENT
	2	6A01352-005	ANGLE, SHORT INSPECTION COVERS
6	1	6A01156-015	SPACER, CLEAT ATTACH
7	1	6A01156-016	PLATE, CLEAT ATTACH
	2	6A01213-003	CLEAT, TIE DOWN
8	1	6A01339-032	STIFFENER, TOP SKIN RR.
9	2	6A01156-019	GUSSET, NOSE BULK.
10	2	6A01156-020	GUSSET, NOSE BULK.
11	1	6A01000-028	ASS'Y., BULK. #1
	2	6A01359-004	ANGLE, KEEL ATTACH
	11	MS21047L4	NUT PLATE
	1	6A01156-009	BULK.
12	1	6A01339-030	STIFFENER, TOP SKIN FWD.
13	1	6A01361-012	STIFFENER, TOP SKIN, MIDDLE
14	1	6A01000-029	ASS'Y., BULK. #2
	1	6A01158-006	BULK. BTM.
	1	6A01005-033	BULK. SIDE, LT.
	1	6A01005-034	BULK. SIDE, RT.
	1	6A01359-007	ANGLE, KEEL ATTACH, LT.
	1	6A01359-008	ANGLE, KEEL ATTACH, RT.
	2	6A01359-009	ANGLE, SISTER KEEL, ATTACH
15	1	6A01000-030	ASS'Y., BULK. #3
	1	6A01158-007	BULK., BTM.
	2	6A01005-035	BULK., TOP
	1	6A01359-010	ANGLE, KEEL ATTACH, RT.
	1	6A01359-011	ANGLE, KEEL ATTACH, LT.
	1	6A01359-012	ANGLE, SISTER KEEL ATTACH, RT.
	1	6A01359-013	ANGLE, SISTER KEEL ATTACH, LT.
	1	6A01359-014	ANGLE, NOSE BOX ATTACH, RT.

PARTS MANUAL FOR BONDED
WIPLINE MODEL 6000/6100 FLOATS S/N 61499 AND PRIOR ON PILATUS

ITEM	QTY	PART NO.	PART DESCRIPTION
	1	6A01359-015	ANGLE, NOSE BOX ATTACH, LT.
	2	6A01359-004	ANGLE, TOP RAIL ATTACH
16	1	6A01000-031	ASS'Y., BULK. #4
	1	6A01158-008	BULK., BTM.
	1	6A01005-036	BULK., SIDE, RT.
	1	6A01005-037	BULK., SIDE, LT.
	1	6A01359-016	ANGLE, KEEL ATTACH, RT.
	1	6A01359-017	ANGLE, KEEL ATTACH, LT.
	1	6A01359-001	ANGLE, SISTER KEEL ATTACH
17	1	6A01000-032	ASS'Y., BULK. #5
	1	6A01158-009	BULK., BTM.
	1	6A01005-038	BULK., TOP
	1	6A01359-018	ANGLE, KEEL ATTACH, RT.
	1	6A01359-019	ANGLE, KEEL ATTACH, LT.
	1	6A01359-020	ANGLE, SISTER KEEL ATTACH, RT.
	1	6A01359-021	ANGLE, SISTER KEEL ATTACH, LT.
	1	6A01359-004	ANGLE, TOP RAIL ATTACH
18	1	6A01000-033	ASS'Y., BULK. #6
	1	6A01158-010	BULK., BTM.
	1	6A01005-040	BULK., SIDE, RT.
	1	6A01005-039	ANGLE, KEEL ATTACH, LT.
	1	6A01359-002	ANGLE, KEEL ATTACH, RT.
	1	6A01359-003	ANGLE, KEEL ATTACH, LT.
	1	6A01359-001	ANGLE, SISTER KEEL ATTACH
19	1	6A01000-034	ASS'Y., BULK. #7
	1	6A01158-011	BULK., BTM. FWD.
	1	6A01158-012	BULK., BTM. AFT
	1	6A01005-042	BULK., SIDE, RT.
	1	6A01005-041	BULK., SIDE, LT.
	1	6A01359-002	ANGLE, KEEL ATTACH, RT.
	1	6A01359-003	ANGLE, KEEL ATTACH, LT.
	2	6A01359-001	ANGLE, SISTER KEEL ATTACH
	1	6A01359-023	ANGLE, VERT., LT.
	1	6A01359-022	ANGLE, VERT., RT.
	2	6A01359-004	ANGLE, TOP RAIL ATTACH
	1	6A01005-180	BULK., SIDE, RT.
	1	6A01359-092	ANGLE, VERT. BEND
	2	6A01361-025	ANGLE SUPPORT
20	1	6A01000-035	ASS'Y., BULK., #8
	1	6A01158-013	BULK., BTM. FWD.
	1	6A01158-014	BULK., BTM. RR.

PARTS MANUAL FOR BONDED
WIPLINE MODEL 6000/6100 FLOATS S/N 61499 AND PRIOR ON PILATUS

ITEM	QTY	PART NO.	PART DESCRIPTION
	1	6A01005-043	BULK., SIDE, LT.
	1	6A01005-044	BULK., SIDE, RT.
	1	6A01359-002	ANGLE, KEEL ATTACH, RT.
	1	6A01359-003	ANGLE, KEEL ATTACH, LT.
	2	6A01359-001	ANGLE, SISTER KEEL ATTACH
21	1	6A01000-036	ASS'Y., BULK., #9 (RT. FLOAT)
	1	6A01000-037	ASS'Y., BULK., #9 (LT. FLOAT)
	1	6A01156-054	ANGLE, ATTACH, TOP (RT. FLOAT)
	1	6A01156-055	ANGLE, ATTACH, TOP (LT. FLOAT)
	2	6A01150-119	PLATE, SEAL SLOT
	1	6A01359-024	ANGLE, KEEL ATTACH, RT.
	1	6A01359-025	ANGLE, KEEL ATTACH, LT.
	1	6A01359-026	ANGLE, SISTER KEEL ATTACH, RT.
	1	6A01359-027	ANGLE, SISTER KEEL ATTACH, LT.
	1	6A01338-001	PANEL, SPR. BAR, LT. BULK.
	1	6A01338-002	PANEL, SPR. BAR, RT. BULK.
	1	6A01357-001	ANGLE, SIDE BULK., LT.
	1	6A01357-002	ANGLE, SIDE BULK., RT.
	1	6A01158-015	BULK. BTM., FWD.
	1	6A01158-016	BULK. BTM., RR.
	1	6A01005-045	BULK., TOP
	1	6A01357-020	ANGLE, PUMP MOUNT, RT. FLOAT ONLY
	1	6A01359-004	ANGLE, ATTACH
22	1	6A01000-038	ASS'Y., BULK., #10
	2	6A01158-017	BULK., BTM.
	1	6A01005-046	BULK., SIDE, RT.
	1	6A01005-047	BULK., SIDE, LT.
	1	6A01359-002	ANGLE, KEEL ATTACH, RT.
	1	6A01359-003	ANGLE, KEEL ATTACH, LT.
23	1	6A01000-039	ASS'Y., BULK., #11
	2	8A01158-128	BULK. BTM.
	1	6A01005-048	BULK. TOP
	1	6A01359-024	ANGLE, KEEL ATTACH, RT.
	1	6A01359-025	ANGLE, KEEL ATTACH, LT.
	1	6A02359-032	ANGLE, SISTER KEEL ATTACH, RT.
	1	6A01359-033	ANGLE, SISTER KEEL ATTACH, LT.
	2	6A01359-004	ANGLE, TOP RAIL ATTACH
24	1	6A01000-040	ASS'Y., BULK., #11A
	2	8A01158-128	BULK., BTM.
	1	6A01005-217	BULK., TOP
	1	6A01359-024	ANGLE, KEEL ATTACH, RT.

PARTS MANUAL FOR BONDED
WIPLINE MODEL 6000/6100 FLOATS S/N 61499 AND PRIOR ON PILATUS

ITEM	QTY	PART NO.	PART DESCRIPTION
	1	6A01359-025	ANGLE, KEEL ATTACH, LT.
	1	6A01359-032	ANGLE, SISTER KEEL ATTACH, RT.
	1	6A01359-033	ANGLE, SISTER KEEL ATTACH, LT.
	1	6A01359-034	ANGLE, HORIZ. TUNNEL ATTACH
	2	6A01359-004	ANGLE, TOP RAIL ATTACH
	1	MS27130A7	RIVNUT
25	1	6A01000-041	ASS'Y., BULK., #11B
	2	8A01158-128	BULK., BTM.
	1	6A01005-050	BULK., SIDE, RT.
	1	6A01005-049	BULK., SIDE, LT.
	1	6A01359-036	ANGLE, KEEL ATTACH, RT.
	1	6A01359-035	ANGLE, KEEL ATTACH, LT.
	1	6A01359-037	ANGLE, HORIZ.
26	1	6A01000-043	ASS'Y., BULK., #12
	1	8A01158-128	BULK., BTM.
	1	6A01005-218	BULK., TOP
	1	6A01359-024	ANGLE, KEEL ATTACH, RT.
	1	6A01359-025	ANGLE, KEEL ATTACH, LT.
	1	6A01000-062	PANEL, ASS'Y., RT.
	1	6A01000-063	PANEL, ASS'Y., LT.
	1	6A01359-040	ANGLE, SISTER KEEL ATTACH, RT.
	1	6A01359-041	ANGLE, SISTER KEEL ATTACH, LT.
	1	6A01359-038	ANGLE, HORIZ. TOP
	1	6A01359-039	ANGLE, HORIZ. LWR.
	2	6A01359-004	ANGLE, TOP RAIL ATTACH
	1	6A01008-005	ANGLE, AFT, LT.
	1	6A01008-056	ANGLE, AFT, RT.
27	1	6A01000-045	ASS'Y., BULK., #13, LT.
	1	6A01000-174	ASS'Y., BULK., #13, RT.
	1	6A01008-006	BODY, BULK., RT.
	1	6A01008-119	BODY, BULK., LT.
	1	6A01002-031	PANEL, BULK.
	1	6A01339-028	ANGLE, SLIDE TUBE ATTACH, RT.
	1	6A01339-029	ANGLE, SLIDE TUBE ATTACH, LT.
	1	6A01359-087	ANGLE, VERT., LT.
	1	6A01359-088	ANGLE, VERT., RT.
	1	6A01359-042	ANGLE, HORIZ., LONG
	2	6A01008-009	ANGLE, HORIZ., SHORT
	2	6A01359-004	ANGLE, RAIL ATTACH
	1	6A01361-003	ANGLE, SISTER KEEL, AB.
	1	6A01361-036	ANGLE, SISTER KEEL

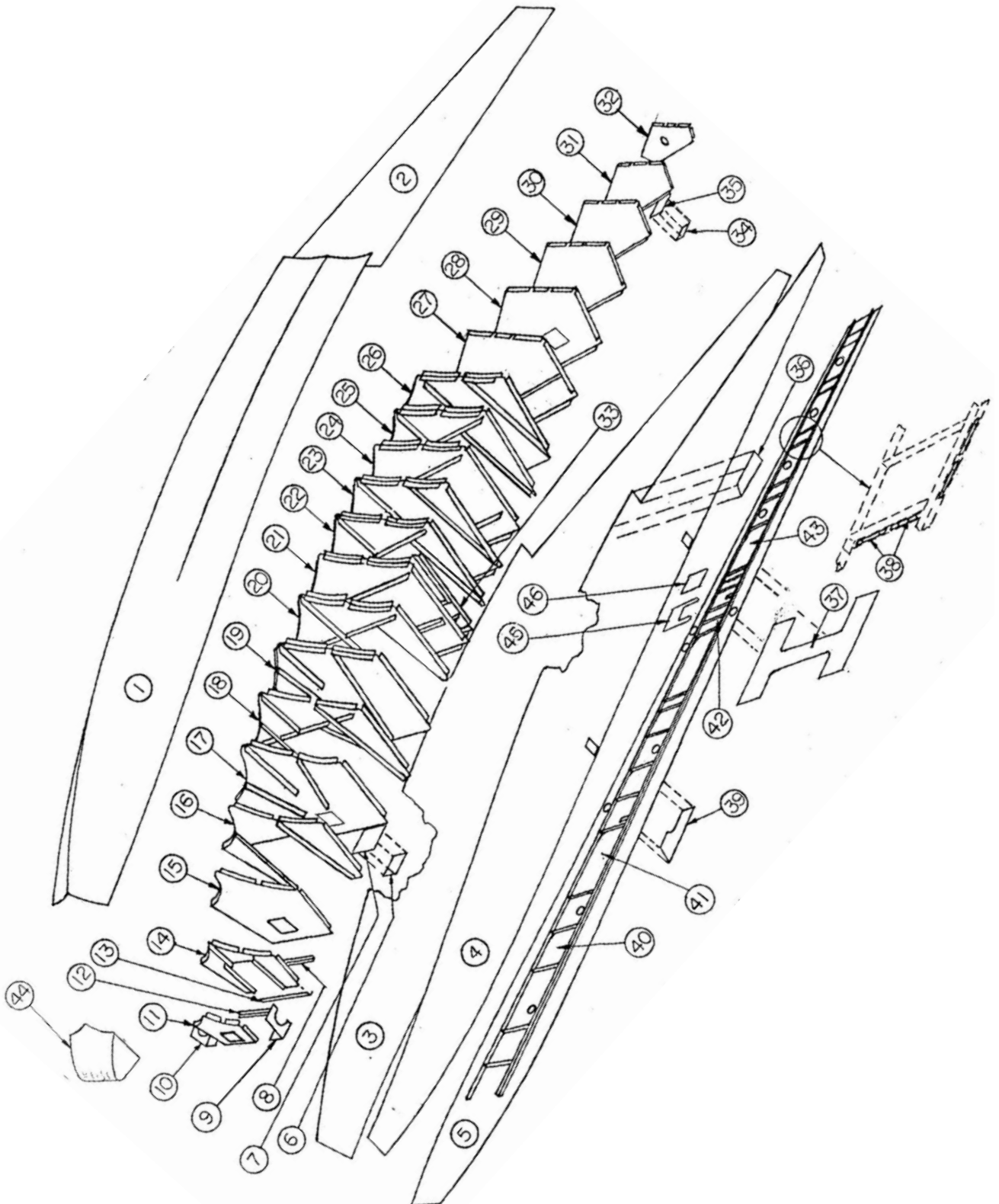
PARTS MANUAL FOR BONDED
WIPLINE MODEL 6000/6100 FLOATS S/N 61499 AND PRIOR ON PILATUS

ITEM	QTY	PART NO.	PART DESCRIPTION
28	1	6A01000-047	ASS'Y., BULK., #14
	1	6A01002-033	BODY, BULK.
	6	6A01359-004	ANGLE, RAIL ATTACH
29	1	6A01000-048	ASS'Y., BULK., #15
	1	6A01002-034	BODY, BULK.
	6	6A01359-004	ANGLE, RAIL ATTACH
30	1	6A01000-049	ASS'Y., BULK., #16
	1	6A01002-035	BODY, BULK.
	6	6A01359-004	ANGLE, RAIL ATTACH
31	1	6A01000-050	ASS'Y., BULK., #17
	1	6A01002-036	BODY, BULK.
	6	6A01359-004	ANGLE, RAIL ATTACH
	2	6A01156-070	DOUBLER CABLE
32	1	6A01000-051	ASS'Y., BULK., #18
	1	6A01002-037	BODY, BULK.
	6	6A01359-004	ANGLE, RAIL ATTACH
	1	3A01437-001	PIVOT, CASTING
	1	6A01352-004	ANGLE, TOP SKIN
	1	6A01361-001	ANGLE, REINFORCEMENT
	1	6A01361-002	ANGLE, REINFORCEMENT
	1	6A01359-044	ANGLE, REINFORCEMENT
33	1	6A01000-052	ASS'Y., FT., SPR. BAR PANEL, RT.
	1	6A01000-053	ASS'Y., FT., SPR. BAR PANEL, LT.
	1	6A01338-003	PANEL, FT. SPR. BAR, LT.
	1	6A01338-004	PANEL, FT. SPR. BAR, RT.
	1	6A01357-003	ANGLE, FT. SPR. BAR PANEL, LT.
	1	6A01357-004	ANGLE, FT. SPR. BAR PANEL, RT.
34	1	3A01000-005	ASS'Y., STEP BOARDING
35	1	6A01156-015	SPACER, CLEAT ATTACH
36	1	6A01156-016	PLATE, CLEAT ATTACH
37	2	6A01002-038	GUSSET, SIDE SKIN
38	1	6A01008-022	DOUBLER, TOP SKIN, RR.
39	A/R	1002481	PLATENUT, TINNEMAN WITH TAPE
40	2	6A01361-003	ANGLE, RR. SISTER KEEL ATTACH
41	1	6A01008-021	DOUBLER, TOP SKIN, FT.
42	6	6A01000-456	ASS'Y., INSPECTION COVER (10")
	6	3A01567-008	RUBBER GASKET
43	1	6A01000-123	ASS'Y., BAGGAGE COVER, METAL HINGE
	1	6A01000-073	ASS'Y., BAGGAGE COVER, PLASTIC HINGE (OLD STYLE)
	1	1 1/2" BLACK HINGE	HINGE, CONT. (SHEPARD CO. - PLASTIC) (OLD STYLE)

PARTS MANUAL FOR BONDED
WIPLINE MODEL 6000/6100 FLOATS S/N 61499 AND PRIOR ON PILATUS

ITEM	QTY	PART NO.	PART DESCRIPTION
	2	6A01000-166	LATCH (SOUTHCO) (OLD STYLE)
	2	3A01525-003	SPRING LOCK
	2	3A01273-004	LOCK INSERT
	2	3A01702-004	LOCK CATCH
	2	1002663	RING LOCK OPENING
	2	3A01206-001	BLOCK RETAINER
	1	1085-1MDC	SEAL
	18	1001571	POP RIVETS
44	1	6A01000-072	ASS'Y., INSPECTION COVER (8.75")
	1	6A01567-003	RUBBER GASKET
45	1	6A01000-071	ASS'Y., INSPECTION COVER (17.5")
	1	6A01567-004	RUBBER GASKET
46	1	6A01635-003	NOSE BUMPER
	2	6A01359-051	ANGLE, NOSE BUMPER ATTACH
47	1	6A01163-042	INSPECTION COVER NOSE (MODEL 6100)
	2	6A01156-014	STIFFENER INSP. COVER
	1	6A01567-005	RUBBER GASKET
48	2	6A01008-074	SPLASH RAILS CHINE (NOT SHOWN)
49	1	6A01008-133	BAGGAGE FLOOR (AFT HALF) SOLID ALUM.LT.
	1	6A01008-134	BAGGAGE FLOOR (AFT HALF) SOLID ALUM RT.
	1	6A01008-139	BAGGAGE FLOOR (FWD. HALF) SOLID ALUM.

HULL ASSEMBLY - SEAPLANE



PARTS MANUAL FOR BONDED
WIPLINE MODEL 6000/6100 FLOATS S/N 61499 AND PRIOR ON PILATUS

ITEM	QTY	PART NO.	PART DESCRIPTION
1	1	6A01151-051	SKIN, BTM., LT. HAND
	1	6A01151-052	SKIN, BTM., RT. HAND
2	1	6S01158-132	SKIN, AB RT. HAND
	1	6S01158-133	SKIN, AB LT. HAND
3	1	6S01158-034	SKIN, SIDE, 0TBD, RT. FLOAT
	1	6S01158-035	SKIN, SIDE, 0TBD, LT. FLOAT
4	1	6A01158-030	SKIN, SIDE, INBD., RT. FLOAT
	1	6A01158-031	SKIN, SIDE, INBD., LT. FLOAT
	1	6A01156-058	BRACKET, PADDLE STOP, RT.
	1	6A01156-059	BRACKET, PADDLE STOP, LT.
	2	3A01158-093	BRACKET
	2	3A01503-001	CLIP, PADDLE
	2	0238-0068	PADDLE, 5 ½ FT.
5	1	6S01158-038	SKIN, TOP, RT. FLOAT
	1	6S01158-039	SKIN, TOP, LT. FLOAT
	1	6A01348-002	ANGLE, TOP SKIN, LONG RT.
	1	6A01348-001	ANGLE, TOP SKIN, LONG LT.
	2	6A01352-006	ANGLE, SHORT BAGGAGE COMPARTMENT
	2	6A01352-005	ANGLE, SHORT INSPECTION COVERS
6	1	6A01156-015	SPACER, CLEAT ATTACH
7	1	6A01156-016	PLATE, CLEAT ATTACH
	2	6A01213-003	CLEAT, TIE DOWN
8	1	6A01339-032	STIFFENER, TOP SKIN, RR.
9	2	6A01156-019	GUSSET, NOSE BULK.
10	2	6A01156-020	GUSSET, NOSE BULK.
11	1	6A01000-028	ASS'Y., BULK., #1
	2	6A01359-004	ANGLE, KEEL ATTACH
	1	6S01002-040	COVER, NOSE BOX OPENING
	1	6A01156-009	BULK.
	11	MS21047L4	NUTPLATE, TWO LUG
12	1	6A01339-030	STIFFENER, TOP SKIN, FWD.
13	1	6A01361-012	STIFFENER, TOP SKIN, MIDDLE
14	1	6A01000-029	ASS'Y., BULK., #2
	1	6A01158-006	BULK. BTM.
	1	6A01005-033	BULK. SIDE, LT.
	1	6A01359-007	ANGLE, KEEL ATTACH, LT.
	1	6A01005-034	BULK. SIDE, RT.
	1	6A01359-008	ANGLE, KEEL ATTACH, RT.
	2	6A01359-009	ANGLE, SISTER KEEL, ATTACH
15	1	6A01000-030	ASS'Y., BULK., #3
	1	6A01158-007	BULK., BTM.

PARTS MANUAL FOR BONDED
WIPLINE MODEL 6000/6100 FLOATS S/N 61499 AND PRIOR ON PILATUS

ITEM	QTY	PART NO.	PART DESCRIPTION
	1	6A01005-035	BULK., TOP
	1	6A01359-010	ANGLE, KEEL ATTACH, RT.
	1	6A01359-011	ANGLE, KEEL ATACH, LT.
	1	6A01359-012	ANGLE, SISTER KEEL ATTACH, RT.
	1	6A01359-013	ANGLE, SISTER KEEL ATTACH, LT.
	1	6A01359-014	ANGLE, NOSE BOX ATTACH, RT.
	1	6A01359-015	ANGLE, NOSE BOX ATTACH, LT.
	2	6A01359-004	ANGLE, TOP RAIL ATTACH,
16	1	6A01000-031	ASS'Y., BULK., #4
	1	6A01158-008	BULK., BTM.
	1	6A01005-036	BULK. SIDE, RT.
	1	6A01005-037	BULK. SIDE, LT.
	1	6A01359-016	ANGLE, KEEL ATTACH, RT.
	1	6A01359-017	ANGLE, KEEL ATTACH, LT.
	2	6A01359-001	ANGLE, SISTER KEEL ATTACH
17	1	6A01000-032	ASS'Y., BULK., #5
	1	6A01158-009	BULK., BTM.
	1	6A01005-038	BULK., TOP
	1	6A01359-018	ANGLE, KEEL ATTACH, RT.
	1	6A01359-019	ANGLE, KEEL ATTACH, LT.
	1	6A01359-020	ANGLE, SISTER KEEL ATTACH, RT.
	1	6A01359-021	ANGLE, SISTER KEEL ATTACH, LT.
	2	6A01359-004	ANGLE, TOP RAIL ATTACH
18	1	6A01000-033	ASS'Y., BULK., #6
	1	6A01158-010	BULK., BTM.
	1	6A01005-040	BULK. SIDE, RT.
	1	6A01005-039	BULK. SIDE, LT.
	1	6A01359-002	ANGLE, KEEL ATTACH, RT.
	1	6A01359-003	ANGLE, KEEL ATTACH, LT.
	2	6A01359-001	ANGLE, SISTER KEEL ATTACH
19	1	6A01000-034	ASS'Y., BULK., #7
	1	6A01158-011	BULK., BTM. FWD.
	1	6A01158-012	BULK., BTM. RR.
	1	6A01005-042	BULK., SIDE RT.
	1	6A01005-041	BULK., SIDE LT.
	1	6A01359-002	ANGLE, KEEL ATTACH, RT.
	1	6A01359-003	ANGLE, KEEL ATTACH, LT.
	2	6A01359-001	ANGLE, SISTER KEEL ATTACH
	1	6A01359-023	ANGLE, VERT., LT.
	1	6A01359-022	ANGLE, VERT., RT.
	2	6A01359-004	ANGLE, TOP RAIL ATTACH

PARTS MANUAL FOR BONDED
WIPLINE MODEL 6000/6100 FLOATS S/N 61499 AND PRIOR ON PILATUS

ITEM	QTY	PART NO.	PART DESCRIPTION
20	1	6A01000-035	ASS'Y., BULK., #8
	1	6A01158-013	BULK., BTM. FWD.
	1	6A01158-014	BULK., BTM. RR.
	1	6A01005-043	BULK., SIDE, LT.
	1	6A01005-044	BULK., SIDE, RT.
	1	6A01359-002	ANGLE, KEEL ATTACH, RT.
	1	6A01359-003	ANGLE, KEEL ATTACH, LT.
	2	6A01359-001	ANGLE, SISTER KEEL ATTACH
	1	6A01156-055	ANGLE, TOP RAIL, LT.
	1	6A01156-054	ANGLE, TOP RAIL, RT.
	2	6A01156-119	PLATE, SEAL RAIL SLOT
21	1	6A01000-036	ASS'Y., BULK., #9 (RT. FLOAT)
	1	6A01000-037	ASS'Y., BULK., #9 (LT. FLOAT)
	1	6A01359-024	ANGLE, KEEL ATTACH, RT.
	1	6A01359-025	ANGLE, KEEL ATTACH, LT.
	1	6A01359-026	ANGLE, SISTER KEEL ATTACH, RT.
	1	6A01359-027	ANGLE, SISTER KEEL ATTACH, LT.
	1	6A01338-001	PANEL, SPR. BAR, LT. BULK. ONLY
	1	6A01338-002	PANEL, SPR. BAR, RT. BULK. ONLY
	1	6A01357-001	ANGLE, SIDE BULK., LT.
	1	6A01357-002	ANGLE, SIDE BULK., RT.
	1	6A01158-015	BULK. BTM., FWD.
	1	6A01158-016	BULK. BTM., RR.
	1	6A01005-045	BULK., TOP
22	1	6A01000-038	ASS'Y., BULK., #10
	2	6A01158-017	BULK. BTM.
	1	6A01005-046	BULK., SIDE, RT.
	1	6A01005-047	BULK., SIDE, LT.
	1	6A01359-002	ANGLE, KEEL ATTACH, RT.
	1	6A01359-003	ANGLE, KEEL ATTACH, LT.
23	1	6A01000-039	ASS'Y., BULK., #11
	2	8A01158-128	BULK. BTM.
	1	6A01005-048	BULK. TOP
	1	6A01359-024	ANGLE, KEEL ATTACH, RT.
	1	6A01359-025	ANGLE, KEEL ATTACH, LT.
	1	6A01359-032	ANGLE, SISTER KEEL ATTACH, RT.
	1	6A01359-033	ANGLE, SISTER KEEL ATTACH, LT.
	2	6A01359-004	ANGLE, TOP RAIL ATTACH
24	1	6A01000-040	ASS'Y., BULK. #11A
	2	8A01158-128	BULK., BTM.
	1	6A01005-217	BULK., TOP

PARTS MANUAL FOR BONDED
WIPLINE MODEL 6000/6100 FLOATS S/N 61499 AND PRIOR ON PILATUS

ITEM	QTY	PART NO.	PART DESCRIPTION
	1	6A01359-024	ANGLE, KEEL ATTACH, RT.
	1	6A01359-025	ANGLE, KEEL ATTACH, LT.
	1	6A01359-032	ANGLE, SISTER KEEL ATTACH, RT.
	1	6A01359-033	ANGLE, SISTER KEEL ATTACH, LT.
	2	6A01359-004	ANGLE, TOP RAIL ATTACH
	1	6A01359-034	ANGLE, HORIZ. TUNNEL ATTACH
25	1	6S01000-042	ASS'Y., BULK., #11B
	1	6S01158-112	BULK., BTM AFT.
	1	6A01005-050	BULK., SIDE, RT.
	1	6A01005-049	BULK., SIDE, LT.
	1	6A01359-036	ANGLE, KEEL ATTACH, RT.
	1	6A01359-035	ANGLE, KEEL ATTACH, LT.
	1	6A01359-037	ANGLE, HORIZ.
	1	6S01158-111	BULKHEAD, BOTTOM, FWD
26	1	6S01000-044	ASS'Y., BULK., #12
	1	6S01158-115	BULK., BTM. FWD
	1	6S01158-116	BULK, BTM, AFT
	1	6S01005-219	BULK., TOP
	1	6S01008-020	ANGLE, KEEL ATTACH, RT.
	1	6S01008-019	ANGLE, KEEL ATTACH, LT.
	1	6A01427-001	ANGLE, VERT. INBD., LT.
	1	6A01427-002	ANGLE, VERT. INBD., RT.
	1	6A01359-040	ANGLE, SISTER KEEL ATTACH, RT.
	1	6A01359-041	ANGLE, SISTER KEEL ATTACH, LT.
	1	6S01359-086	ANGLE, HORIZ. TOP
	1	6A01359-039	ANGLE, HORIZ. LWR.
	2	6A01359-004	ANGLE, TOP RAIL ATTACH
27	1	6S01000-046	ASS'Y., BULK., #13
	1	6A01008-032	BODY, BULK.
	2	6S01359-043	ANGLE, HORIZ. AND VERT.
	2	6A01359-004	ANGLE, RAIL ATTACH
28	1	6A01000-047	ASS'Y., BULK., #14 LT.
	1	6A01000-176	ASS'Y., BULK #14 RT
	1	6A01002-033	BODY, BULK.
	6	6A01359-004	ANGLE, RAIL ATTACH
	1	6A01002-120	BODY, BULK., RT
	2	MS24665-136	PIN, COTTER
	2	3A01151-010	BRACKET PULLEY
29	1	6A01000-048	ASS'Y., BULK., #15
	1	6A01002-034	BODY, BULK.
	6	6A01359-004	ANGLE, RAIL ATTACH

PARTS MANUAL FOR BONDED
WIPLINE MODEL 6000/6100 FLOATS S/N 61499 AND PRIOR ON PILATUS

ITEM	QTY	PART NO.	PART DESCRIPTION
	2	3A01151-010	BRACKET PULLEY
	2	MS24665-136	PIN, COTTER
	2	6A01156-069	DOUBLER, CABLE
30	1	6A01000-049	ASS'Y., BULK., #16
	1	6A01002-035	BODY, BULK.
	6	6A01359-004	ANGLE, RAIL ATTACH
31	1	6A01000-050	ASS'Y., BULK., #17
	1	6A01002-036	BODY, BULK.
	6	6A01359-004	ANGLE, RAIL ATTACH
	2	MS24665-136	PIN, COTTER
	2	6A01156-070	DOUBLER, CABLE
	2	3A01151-010	BRACKET PULLEY
32	1	6A01000-051	ASS'Y., BULK., #18
	1	6A01002-037	BODY, BULK.
	6	6A01359-004	ANGLE, RAIL ATTACH
	1	3A01437-001	PIVOT, CASTING
	1	6A01352-004	ANGLE, TOP SKIN, REINF.
	1	6A01361-001	ANGLE, REINF.
	1	6A01361-002	ANGLE, REINF.
	1	6A01359-044	ANGLE, REINF.
33	1	6A01000-052	ASS'Y., FT., SPR. BAR PANEL, RT.
	1	6A01000-053	ASS'Y., FT., SPR. BAR PANEL, LT.
	1	6A01338-003	PANEL, FT., SPR. BAR, LT.
	1	6A01338-004	PANEL, FT., SPR. BAR, RT.
	1	6A01357-003	ANGLE, FT., SPR. BAR PANEL, LT.
	1	6A01357-004	ANGLE, FT., SPR. BAR PANEL, RT.
34	1	6A01156-015	SPACER, CLEAT ATTACH
35	1	6A01156-016	PLATE, CLEAT ATTACH
36	2	6A01002-038	GUSSET, SIDE SKIN
37	1	6S01008-023	DOUBLER, TOP SKIN, RR. OUTSIDE
38	A/R	1002481	PLATENUT, TINNERMAN WITH TAPE
39	1	6A01008-021	DOUBLER, TOP SKIN, FT.
40	6	6A01000-456	ASS'Y., INSPECTION COVER (10")
41	1	6A01000-123	ASS'Y., BAGGAGE COVER, METAL HINGE
	1	6A01000-073	ASS'Y., BAGGAGE COVER, PLASTIC HINGE
	1	1 1/2" BLACK HINGE	HINGE, CONT. (SHEPARD CO. - PASTIC)
	2	6A01000-166	LATCH (SOUTHCO)
42	1	6A01000-072	ASS'Y., INSPECTION COVER (8.75")
43	1	6A01000-071	ASS'Y., INSPECTION COVER (17.5")
44	1	6S01731-001	NOSE BUMPER

PARTS MANUAL FOR BONDED
 WIPLINE MODEL 6000/6100 FLOATS S/N 61499 AND PRIOR ON PILATUS

ITEM	QTY	PART NO.	PART DESCRIPTION
	2	6A01359-051	ANGLE, NOSE BUMPER ATTACH, SIDE
	2	6A01359-113	ANGLE, NOSE BUMPER ATTACH, BOTTOM
45	1	6S01003-019	DOUBLER, TOP SKIN, INSIDE
46	2	6S01003-044	SPACER, TOP SKIN SPR. BAR PANELS
47	2	6A01008-074	SPLASH RAILS CHINE (NOT SHOWN)
48	1	6A01008-133	BAGGAGE FLOOR (AFT HALF) LT.
	1	6A01008-134	BAGGAGE FLOOR (AFT HALF) RT.
	1	6A01008-139	BAGGAGE FLOOR (FWD HALF)

THIS PAGE INTENTIONALLY LEFT BLANK

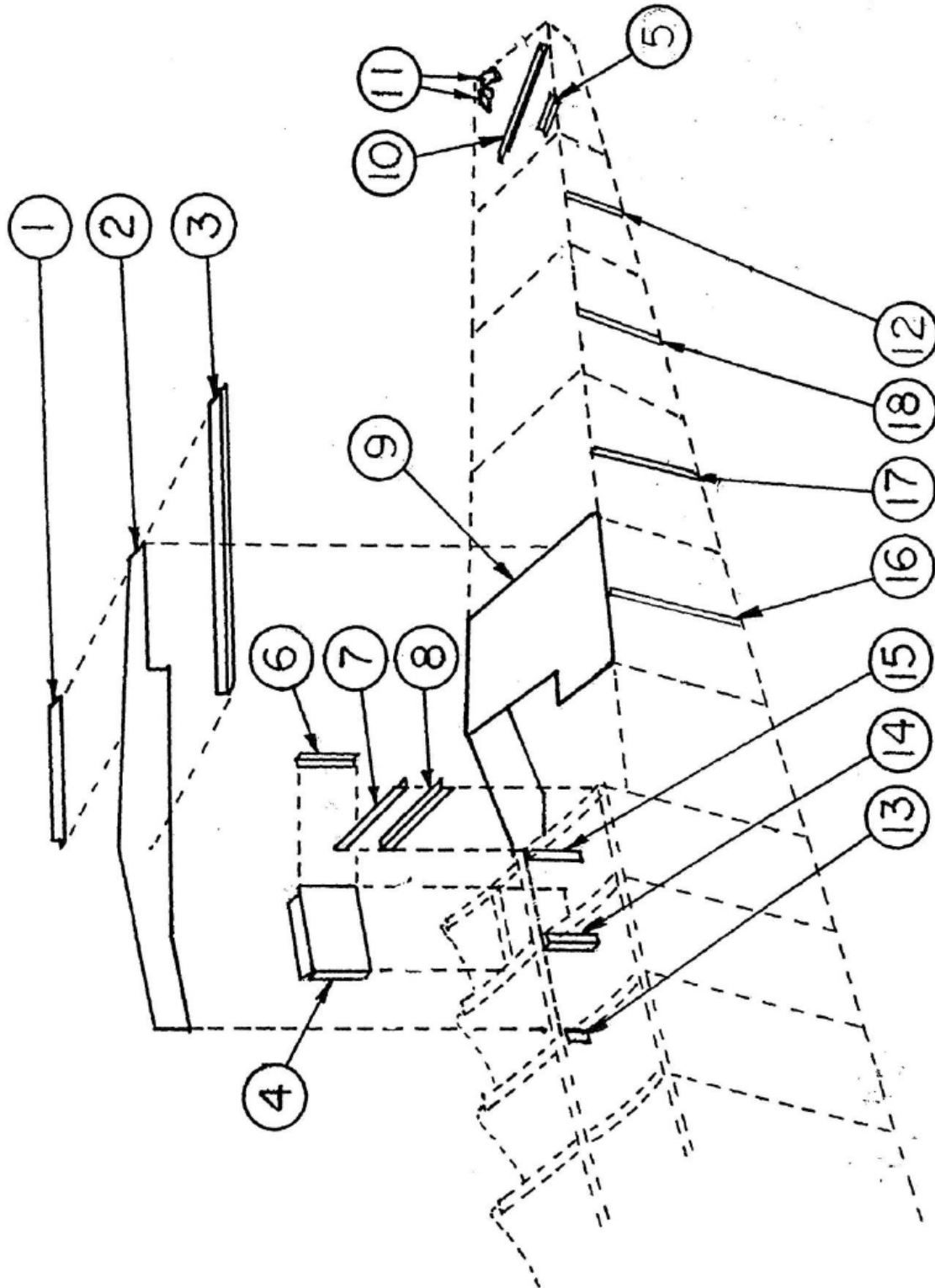
SECTION 2

MISCELLANEOUS HULL PARTS

CONTENTS

MISCELLANEOUS HULL PARTS - AMPHIBIAN	26
MISCELLANEOUS HULL PARTS - SEAPLANE	28

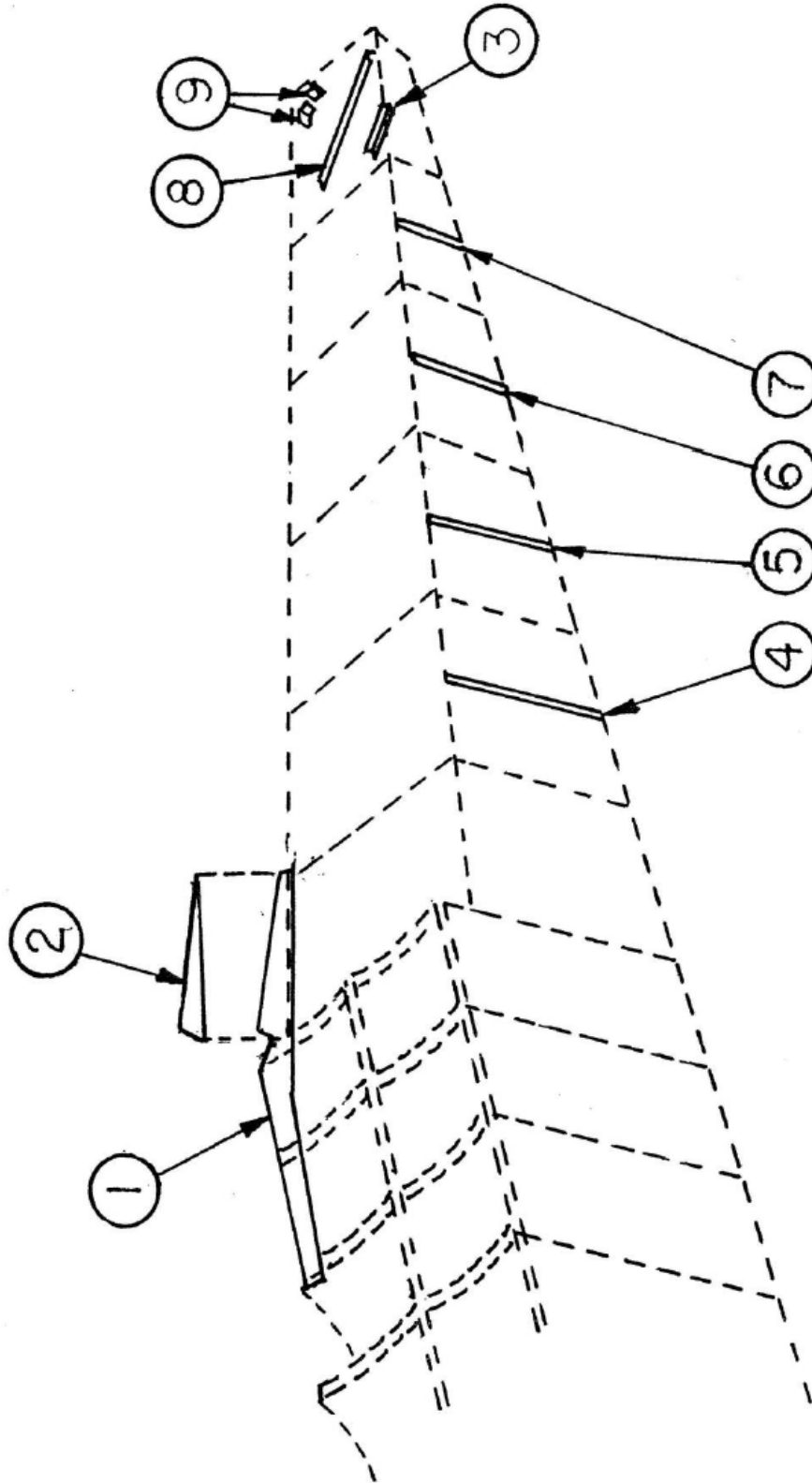
MISCELLANEOUS HULL PARTS - AMPHIBIAN



PARTS MANUAL FOR BONDED
WIPLINE MODEL 6000/6100 FLOATS S/N 61499 AND PRIOR ON PILATUS

ITEM	QTY	PART NO.	PART DESCRIPTION
1	1	6A01008-011	ANGLE, CARRYTHRU STRAP, LT.
	1	6A01008-010	ANGLE, CARRYTHRU STRAP, RT.
2	2	6A01001-003	STRAP, CARRYTHRU
3	1	6A01008-017	ANGLE, CARRYTHRU STRAP OUTSIDE, LT.
	1	6A01008-016	ANGLE, CARRYTHRU STRAP OUTSIDE, RT.
4	1	6A01000-063	ASS'Y., DRAG BRACE PANEL, LT.
	1	6A01000-062	ASS'Y., DRAG BRACE PANEL, RT.
5	1	6A01352-004	ANGLE, TOP SKIN REINF.
6	1	6A01183-001	ANGLE, DRAG BRACE ATTACH, LT.
	1	6A01183-002	ANGLE, DRAG BRACE ATTACH, RT.
7	1	6A01005-051	ANGLE, OUTSIDE, AFT, LT.
	1	6A01005-052	ANGLE, OUTSIDE, AFT, RT.
8	1	6A01008-055	ANGLE, INSIDE, AFT, LT.
	1	6A01008-056	ANGLE, INSIDE, AFT, RT.
9	1	6A01008-018	PANEL, REINF.
10	1	6A01359-044	ANGLE, REINF. #18 BULK.
11	1	6A01361-001	ANGLE, REINF. #18 BULK. BTM. LT.
	1	6A01361-002	ANGLE, REINF. #18 BULK. BTM. RT.
12	2	6A01151-047	STIFFENER, SIDE
13	2	6A01011-001	SHIM, CARRYTHRU STRAP
14	1	6A01008-013	ANGLE, CARRYTHRU STRAP, LT.
	1	6A01008-012	ANGLE, CARRYTHRU STRAP, RT.
15	1	6A01008-015	ANGLE, CARRYTHRU STRAP, LT.
	1	6A01008-014	ANGLE, CARRYTHRU STRAP, RT.
16	2	6A01151-050	STIFFENER, SIDE
17	2	6A01151-049	STIFFENER, SIDE
18	2	6A01151-048	STIFFENED, SIDE

MISCELLANEOUS HULL PARTS - SEAPLANE



PARTS MANUAL FOR BONDED
WIPLINE MODEL 6000/6100 FLOATS S/N 61499 AND PRIOR ON PILATUS

ITEM	QTY	PART NO.	PART DESCRIPTION
1	2	6S01156-011	STRAP, CARRYTHRU
2	1	6S01156-012	SPACER, CARRYTHRU STRAP
3	1	6A01352-004	ANGLE, TOP SKIN REINF.
4	2	6A01151-050	STIFFENER, SIDE
5	2	6A01151-049	STIFFENER, SIDE
6	2	6A01151-048	STIFFENER, SIDE
7	2	6A01151-047	STIFFENER, SIDE
8	1	6A01359-044	ANGLE, REINF. #18 BULK.
9	1	6A01361-001	ANGLE, REINF. #18 BULK. BTM. LT.
	1	6A01361-002	ANGLE, REINF. #18 BULK. BTM. RT.

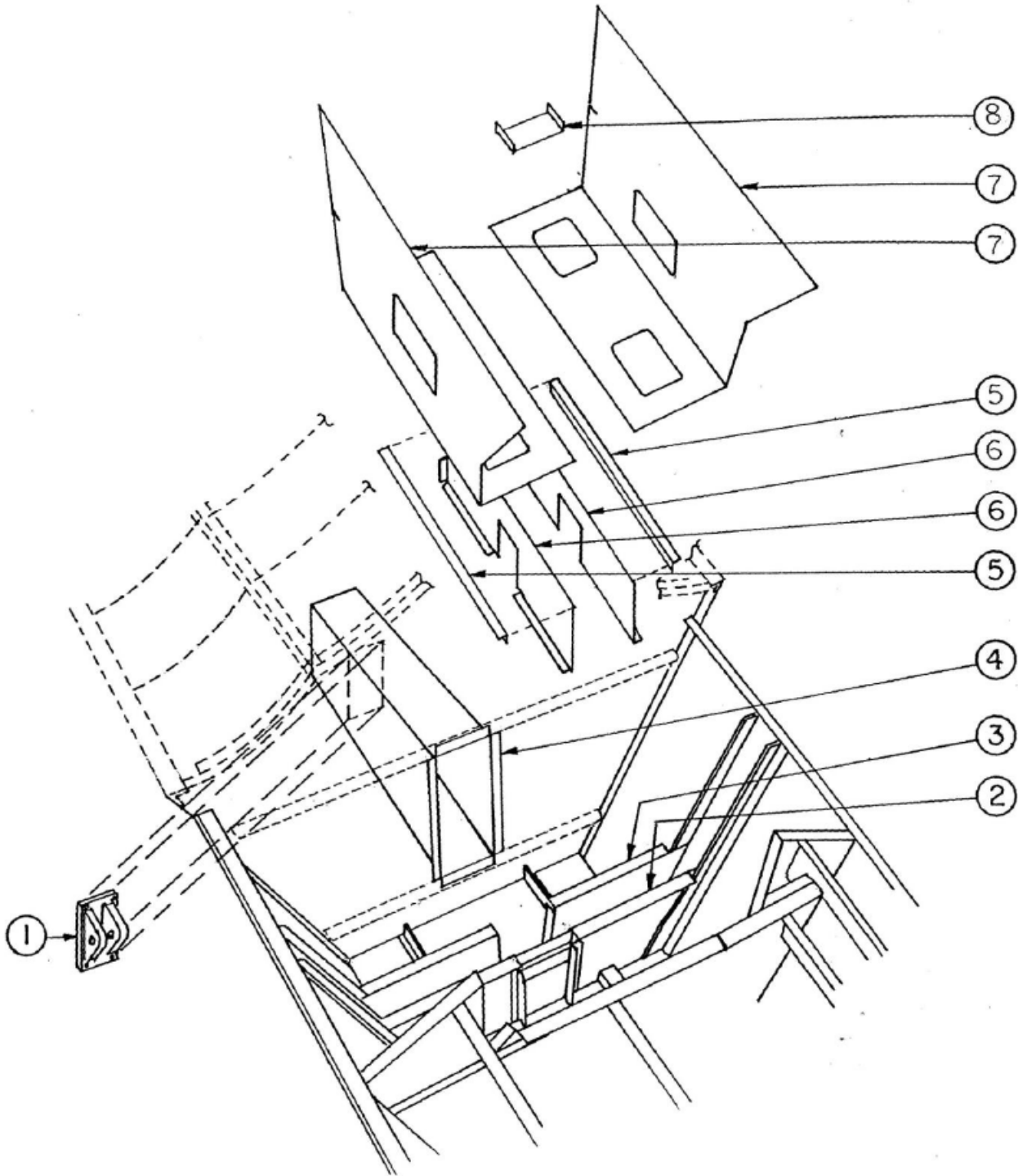
THIS PAGE INTENTIONALLY LEFT BLANK

SECTION 3 WHEEL WELL AREA

CONTENTS

WHEEL WELL AREA.....	32
----------------------	----

WHEEL WELL AREA



PARTS MANUAL FOR BONDED
WIPLINE MODEL 6000/6100 FLOATS S/N 61499 AND PRIOR ON PILATUS

ITEM	QTY	PART NO.	PART DESCRIPTION
1	2	6A04000-054	ASS'Y., TRUNION MAIN GEAR
	4	08DU08	BEARING/BUSHING
2	1	6A01000-057	ASSY., RR. SPR. BAR PANEL AFT, LT.
	1	6A01000-056	ASSY., RR. SPR. BAR PANEL AFT, RT.
	1	6A01338-009	PANEL, RR. SPR. BAR, LT.
	1	6A01338-010	PANEL, RR. SPR. BAR, RT.
	1	6A01357-005	ANGLE, RR. SPR. BAR PANEL, LT.
	1	6A01357-006	ANGLE, RR. SPR. BAR PANEL, RT.
	2	6A01359-045	ANGLE, VERT. RR. SPR. BAR PANEL, LT.
	2	6A01359-046	ANGLE, VERT. RR. SPR. BAR PANEL, RT.
3	1	6A01000-055	ASS'Y., RR. SPR. BAR PANEL FWD, LT.
	1	6A01000-054	ASS'Y., RR. SPR. BAR PANEL FWD, RT.
	1	6A01338-005	PANEL, RR. SPR. BAR, FT. LT.
	1	6A01338-006	PANEL, RR. SPR. BAR, FT. RT.
	1	6A01357-007	ANGLE, RR. SPR. BAR PANEL, LT.
	1	6A01357-008	ANGLE, RR. SPR. BAR PANEL, RT.
	2	6A01359-045	ANGLE, VERT. RR. SPR. BAR PANEL, LT.
	2	6A01359-046	ANGLE, VERT. RR. SPR. BAR PANEL, RT.
4	1	6A01000-064	ASS'Y., TUNNEL
	1	6A01201-001	FTG., END CAP
	1	6A01005-054	COVER, TUNNEL
	1	6A01005-053	TUNNEL
	2	6A01340-015	ANGLE, TUNNEL
	1	6A01005-062	TOP, FWD
	1	6A01005-063	TOP, AFT
5	1	6A01359-049	ANGLE, WHEELWELL SUPPORT, LT.
	1	6A01359-050	ANGLE, WHEELWELL SUPPORT, RT.
6	1	6A01005-055	PANEL, WHEELWELL, VERT. LT.
	1	6A01005-056	PANEL, WHEELWELL, VERT. RT.
7	1	6A01000-065	ASS'Y., MAIN PANEL, WHEELWELL, LT.
	1	6A01000-066	ASS'Y., MAIN PANEL, WHEELWELL, RT.
	1	6A01158-152	COVER, INSPECTION, WHEELWELL, SM.
	1	6A01158-151	COVER, INSPECTION WHEELWELL, LG.
	1	6A01156-013	REINF., SM. COVER HOLE
	1	6A01156-014	REINF., LG. COVER HOLE
	1	6A01005-057	PANEL, WHEELWELL, LT.
	1	6A01005-058	PANEL, WHEELWELL, RT.
8	1	6A01005-061	COVER, WHEELWELL SPR. BAR

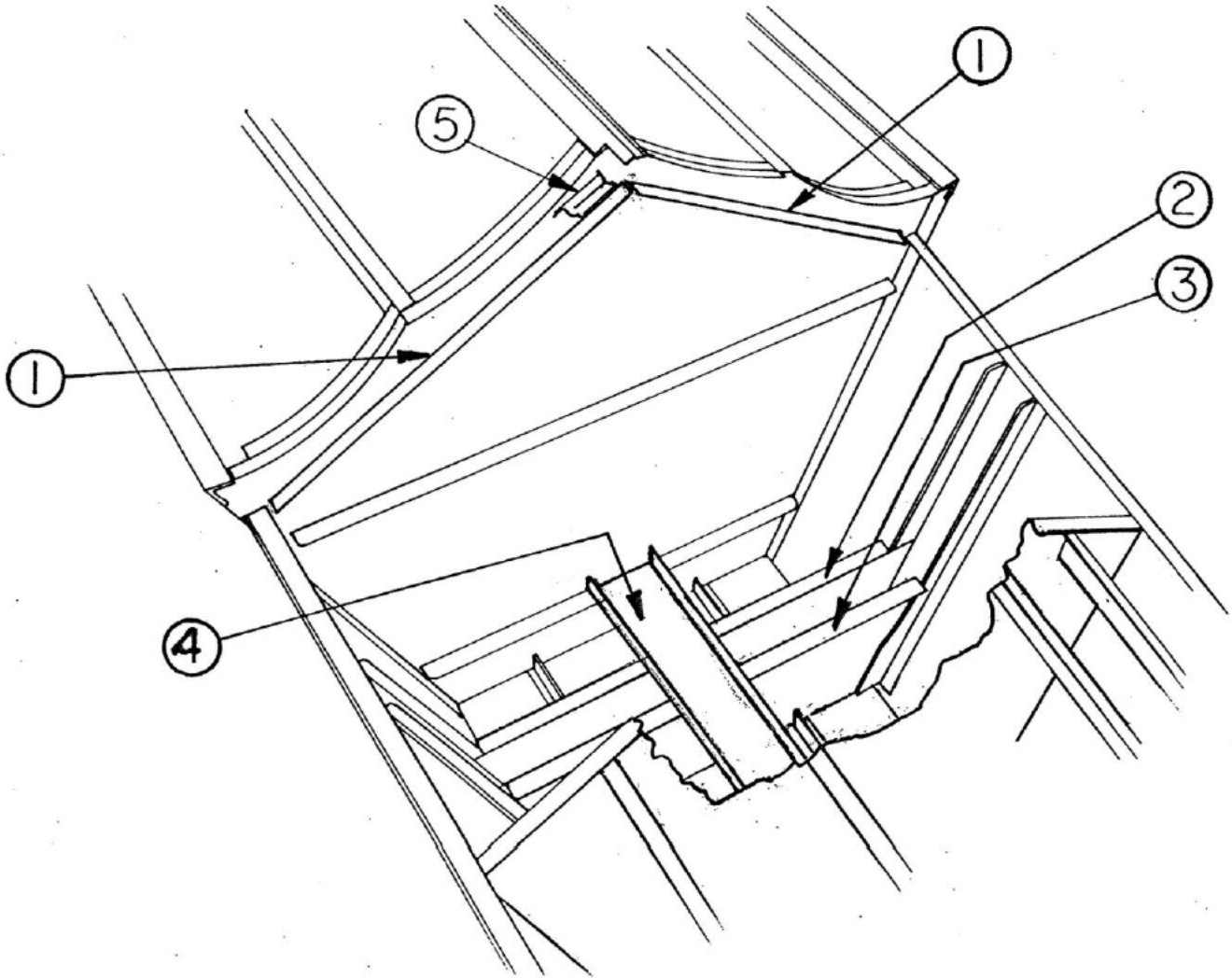
THIS PAGE INTENTIONALLY LEFT BLANK

SECTION 4 STEP AREA – SEAPLANE

CONTENTS

STEP AREA - SEAPLANE	36
----------------------------	----

STEP AREA - SEAPLANE



PARTS MANUAL FOR BONDED
WIPLINE MODEL 6000/6100 FLOATS S/N 61499 AND PRIOR ON PILATUS

ITEM	QTY	PART NO.	PART DESCRIPTION
1	1	6S01008-019	ANGLE, SKIN ATTACH, LOWER LT.
	1	6S01008-020	ANGLE, SKIN ATTACH, LOWER RT.
2	1	6S01000-059	ASS'Y., SPR. BAR PANEL, AFT, LT.
	1	6S01000-058	ASS'Y., SPR. BAR PANEL, AFT, RT.
	1	6S01338-007	PANEL, RR. SPR. BAR FT., LT.
	1	6S01338-008	PANEL, RR. SPR. BAR FT., RT.
	1	6A01357-007	ANGLE, SPR. BAR PANEL, AFT, LT.
	1	6A01357-008	ANGLE, SPR. BAR PANEL, AFT, RT.
	2	6A01359-045	ANGLE, VERT. SPR. BAR PANEL, AFT, LT.
	2	6A01359-046	ANGLE, VERT. SPR. BAR PANEL, AFT, RT.
3	1	6S01000-061	ASS'Y., SPR. BAR PANEL, AFT, LT.
	1	6S01000-060	ASS'Y., SPR. BAR PANEL, AFT, RT.
	1	6S01338-011	PANEL, SPR. BAR AFT, RR., LT.
	1	6S01338-012	PANEL, SPR. BAR AFT, RR., RT.
	1	6A01357-005	ANGLE, SPR. BAR PANEL, AFT, LT.
	1	6A01357-006	ANGLE, SPR. BAR PANEL, AFT, RT.
	2	6A01359-045	ANGLE, VERT. SPR. BAR PANEL, AFT, LT.
	2	6A01359-046	ANGLE, VERT. SPR. BAR PANEL, AFT, RT.
4	1	6S01155-003	CHANNEL, SUPPORT
5	1	6S01005-083	ANGLE, AB SKIN ATTACH UPR., LT.
	1	6S01005-082	ANGLE, AB SKIN ATTACH UPR., RT.

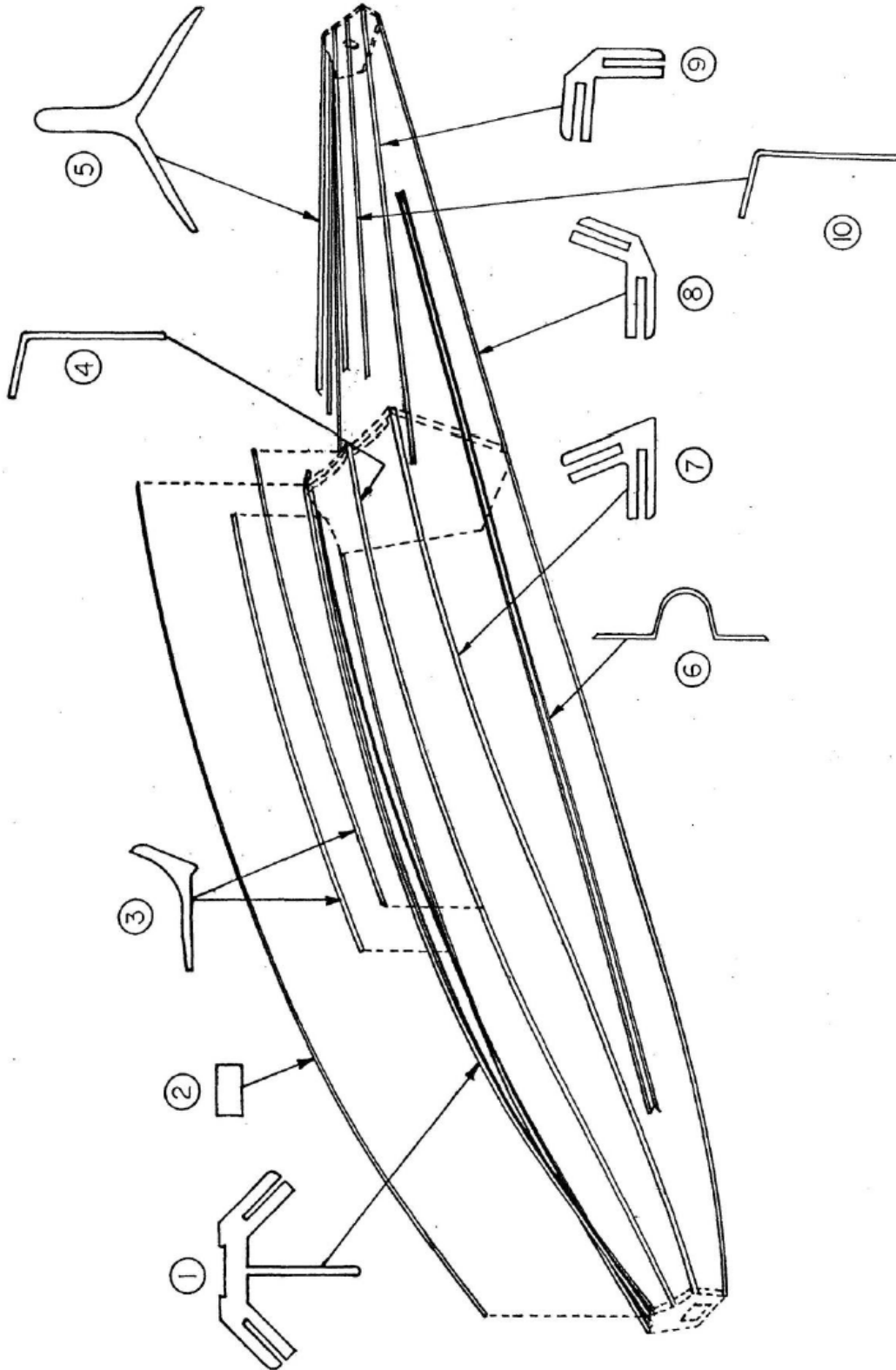
THIS PAGE INTENTIONALLY LEFT BLANK

SECTION 5 HULL EXTRUSIONS

CONTENTS

HULL EXTRUSIONS - AMPHIBIAN	40
HULL EXTRUSIONS - SEAPLANE.....	42

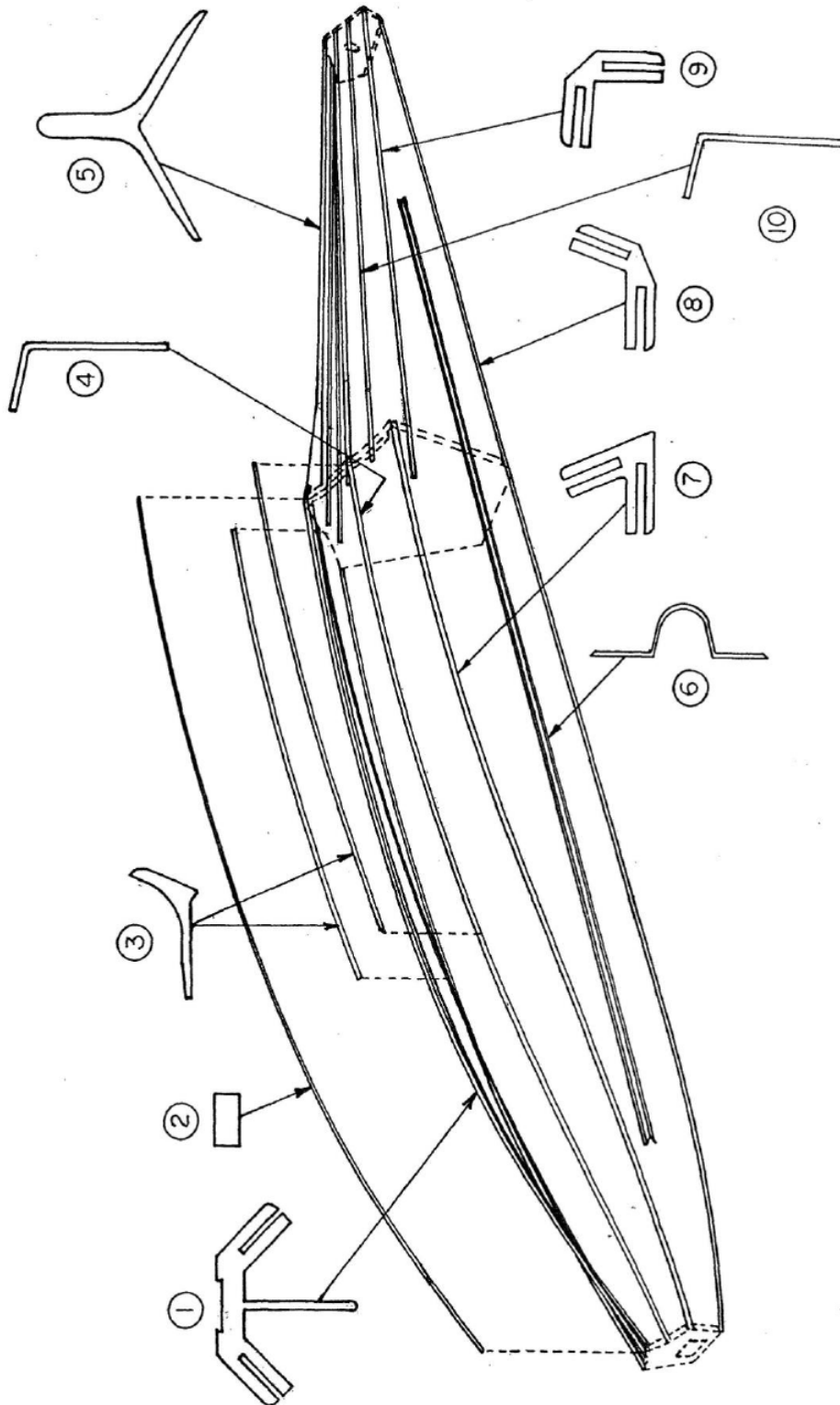
HULL EXTRUSIONS - AMPHIBIAN



PARTS MANUAL FOR BONDED
WIPLINE MODEL 6000/6100 FLOATS S/N 61499 AND PRIOR ON PILATUS

ITEM	QTY	PART NO.	PART DESCRIPTION
1	1	6A01354-003	KEEL, MAIN
2	1	3A01200-001	WEAR STRIP, KEEL
3	1	6A01342-003	SISTER KEEL, OUTSIDE LT.
	1	6A01342-004	SISTER KEEL, OUTSIDE RT.
4	1	6A01361-005	SISTER KEEL, INSIDE, FWD. LT.
	1	6A01361-004	SISTER KEEL, INSIDE, FWD. RT.
5	1	6A01347-003	KEEL, AB
6	2	6A01353-005	STIFFENER, SIDE SKIN, LT
	2	6A01353-004	STIFFENER, SIDE SKIN, RT
7	1	6A01351-003	CHINE, FT., LT.
	1	6A01351-004	CHINE, FT., RT.
8	1	8A01366-005	GUNWALL, LT.
	1	6A01366-006	GUNWALL, RT.
9	1	6A01363-003	CHINE, AB, LT.
	1	6A01363-004	CHINE, AB, RT.
10	1	6A01361-007	SISTER KEEL, AB, INBD. LT.
	1	6A01361-006	SISTER KEEL, AB, INBD. RT.
	1	6A01361-009	SISTER KEEL, AB, OTBD. LT.
	1	6A01361-008	SISTER KEEL, AB, OTBD. RT.

HULL EXTRUSIONS - SEAPLANE



PARTS MANUAL FOR BONDED
WIPLINE MODEL 6000/6100 FLOATS S/N 61499 AND PRIOR ON PILATUS

ITEM	QTY	PART NO.	PART DESCRIPTION
1	1	6S01354-004	KEEL, MAIN
2	1	3A01200-001	WEAR STRIP, KEEL
3	1	6A01342-003	SISTER KEEL, OUTSIDE LT.
	1	6A01342-004	SISTER KEEL, OUTSIDE RT.
4	1	6A01361-005	SISTER KEEL, INSIDE, FWD. LT.
	1	6A01361-004	SISTER KEEL, INSIDE, FWD. RT.
5	1	6S01347-004	KEEL, AB
6	2	6A01353-005	STIFFENER, SIDE SKIN, LT
	2	6A01353-004	STIFFENER, SIDE SKIN, RT
7	1	6A01351-003	CHINE, FT., LT.
	1	6A01351-004	CHINE, FT., RT.
8	1	8A01366-005	GUNWALL, LT.
	1	8A01366-006	GUNWALL, RT.
9	1	6A01363-003	CHINE, AB, LT.
	1	6A01363-004	CHINE, AB, RT.
10	2	6S01361-011	SISTER KEEL, AB, INBD. LT.
	2	6S01361-010	SISTER KEEL, AB, INBD. RT.

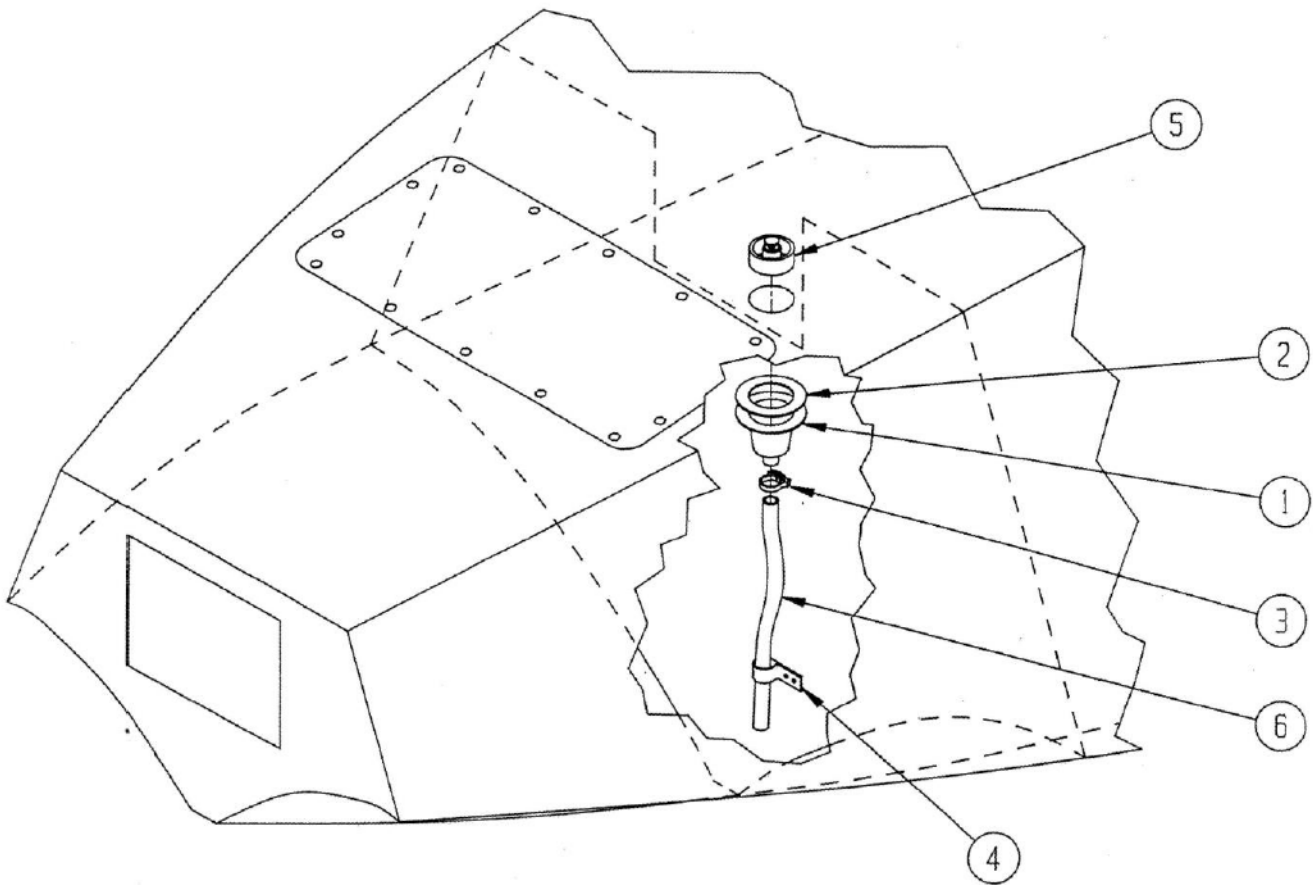
THIS PAGE INTENTIONALLY LEFT BLANK

SECTION 6 PUMPER TUBE

CONTENTS

PUMPER TUBE.....	46
------------------	----

PUMPER TUBE



PARTS MANUAL FOR BONDED
WIPLINE MODEL 6000/6100 FLOATS S/N 61499 AND PRIOR ON PILATUS

ITEM	QTY	PART NO.	PART DESCRIPTION
1	1	3A01650-002	CUP, PUMP OUT (OLD STYLE)
	1	1011004	ASSEMBLY, CUP, PUMPOUT, DUCKBILL (NEW STYLE)
	1	4A01749-001	CUP, PUMP OUT
	1	1011808	RETAINER, VALVE, DUCKBILL, PUMPOUT PLUG
2	1	3A01158-005	RING, REINF. PUMP OUT CUP
3	1	57134	CLAMP, UPPER END
4	1	3A01158-003	CLAMP, LOWER END
5	1	3A01000-023	ASSY. STOPPER PUMPER CUP (OLD STYLE)
	1	1011870	VALVE, DUCKBILL (NEW STYLE)
	1	2111	STOPPER (OLD STYLE)
6	1	6A01618-019	PUMPER TUBE, 12", #17
	1	6A01618-018	PUMPER TUBE, 15 1/2", #16
	1	6A01618-017	PUMPER TUBE, 19", #15
	1	6A01618-016	PUMPER TUBE, 22 1/2", #14
	1	6A01618-014	PUMPER TUBE, 23 1/2", STN WW.
	1	6A01618-010	PUMPER TUBE, 25 3/4", #5
	1	6A01618-015	PUMPER TUBE, 27 1/2", #13
	1	6A01618-011	PUMPER TUBE, 31", #9
	1	6A01618-012	PUMPER TUBE, 31 1/2", #11
	1	6A01618-013	PUMPER TUBE, 32 1/2", #9 AND STEP

THIS PAGE INTENTIONALLY LEFT BLANK

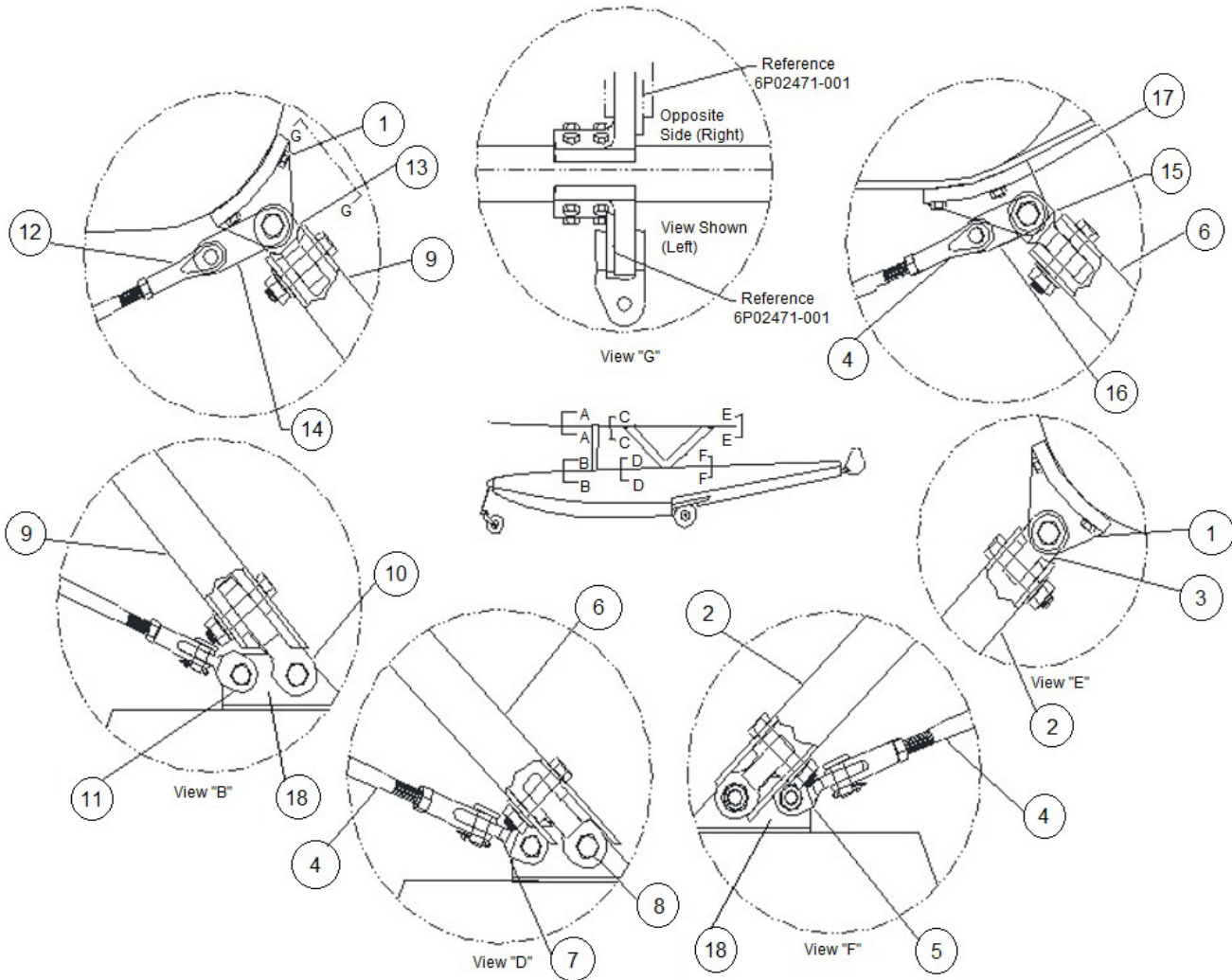
SECTION 7

STRUTS, STEPS, & SPREADER BAR

CONTENTS

STRUTS - FWD, CENTER, & AFT	50
UPPER AND LOWER STEP	54
AFT SPREADER BAR ASSEMBLY	55
FWD SPREADER BAR ASSEMBLY	57

STRUTS - FWD, CENTER, & AFT



PARTS MANUAL FOR BONDED
WIPLINE MODEL 6000/6100 FLOATS S/N 61499 AND PRIOR ON PILATUS

ITEM	QTY	PART NO.	PART DESCRIPTION
1	2	6P02107-001	FWD/AFT FUSELAGE STRUT FITTING
	2	6P02107-002	FWD/AFT FUSELAGE STRUT FITTING
	8	AN5-12A	BOLT, SIZE 5/16-24, LENGTH +/- 1/64 - 1-11/32, GRIP 13/16
	8	AN5-13A	BOLT, 5/16-24 THREAD, 15/16" GRIP, 1-15/32" LENGTH
	A/R	NAS1149F0532P	WASHER, 0.328 ID, 0.032 THK, STEEL
	A/R	NAS1149F0563P	WASHER, 0.328 ID, 0.063 THK, STEEL
	16	MS21044N5	NUT, LOCKING, REGULAR HEIGHT, 5/16-24 UNF
2	1	6P02000-103	ASS'Y., REAR STRUT, LEFT
	1	6P02000-102	ASS'Y., REAR STRUT, RIGHT
	4	AN8-22A	BOLT, 1/2-20, 1.5625 GRIP, UNDRILLED, STEEL
	A/R	NAS1149F0863P	WASHER TO FIT DIA 1/2"
	4	MS21044N8	NUT, LOCKING, REGULAR HEIGHT, 1/2-20 UNF
3	2	6P02066-002	FITTING, LINK, STRUT, UPPER REAR
	2	AN8-23A	BOLT, 1/2-20, 1.6875 GRIP, UNDRILLED, STEEL
	A/R	NAS1149F0863P	WASHER TO FIT DIA 1/2"
	2	MS21044N8	NUT, LOCKING, REGULAR HEIGHT, 1/2-20 UNF
4	2	6P02000-101	ASS'Y., AFT DRAG WIRE
	2	AN398-27	PIN
	A/R	NAS1149F0863P	WASHER TO FIT DIA 1/2"
	2	MS24665-283	PIN
	2	AN665-155RS *	TERMINAL
	2	AN665-155LS *	TERMINAL
	2	AN316C8L *	NUT, JAM (STAINLESS)
	2	AN316C8R*	NUT JAM, HEXAGON, 1/2-20 THREAD, RIGHT
	4	MS20392-7C27	PIN, CLEVIS
	4	NAS1149F0763P	WASHER, 0.453 ID, 0.063 THK, STEEL
	4	MS24665-370	COTTER PIN
5	1	6P02063-003	FITTING, LEFT. AFT DRAG WIRE, LWR.
	1	AN8-30A	BOLT, 1/2-20, 2.3125 GRIP, UNDRILLED, STEEL
	A/R	NAS1149F0863P	WASHER TO FIT DIA 1/2"
	1	MS21044N8	NUT, LOCKING, REGULAR HEIGHT, 1/2-20 UNF
6	1	6P02000-105	ASS'Y., CENTER STRUT, LEFT
	1	6P02000-104	ASS'Y., CENTER STRUT, RIGHT
	4	AN8-22A	BOLT, 1/2-20, 1.5625 GRIP, UNDRILLED, STEEL
	A/R	NAS1149F0863P	WASHER TO FIT DIA 1/2"
	4	MS21044N8	NUT, LOCKING, REGULAR HEIGHT, 1/2-20 UNF
7	1	6P02028-001	FITTING, RT., AFT. DRAG WIRE, LWR.
	1	AN8-31A	BOLT, 1/2-20 THREAD, 2-7/16" GRIP, 3-7/32" LENGTH
	A/R	NAS1149F0863P	WASHER TO FIT DIA 1/2"
	1	MS21044N8	NUT, LOCKING, REGULAR HEIGHT, 1/2-20 UNF
8	1	6P02027-001	FITTING, STRUT, CENTER, LOWER LEFT

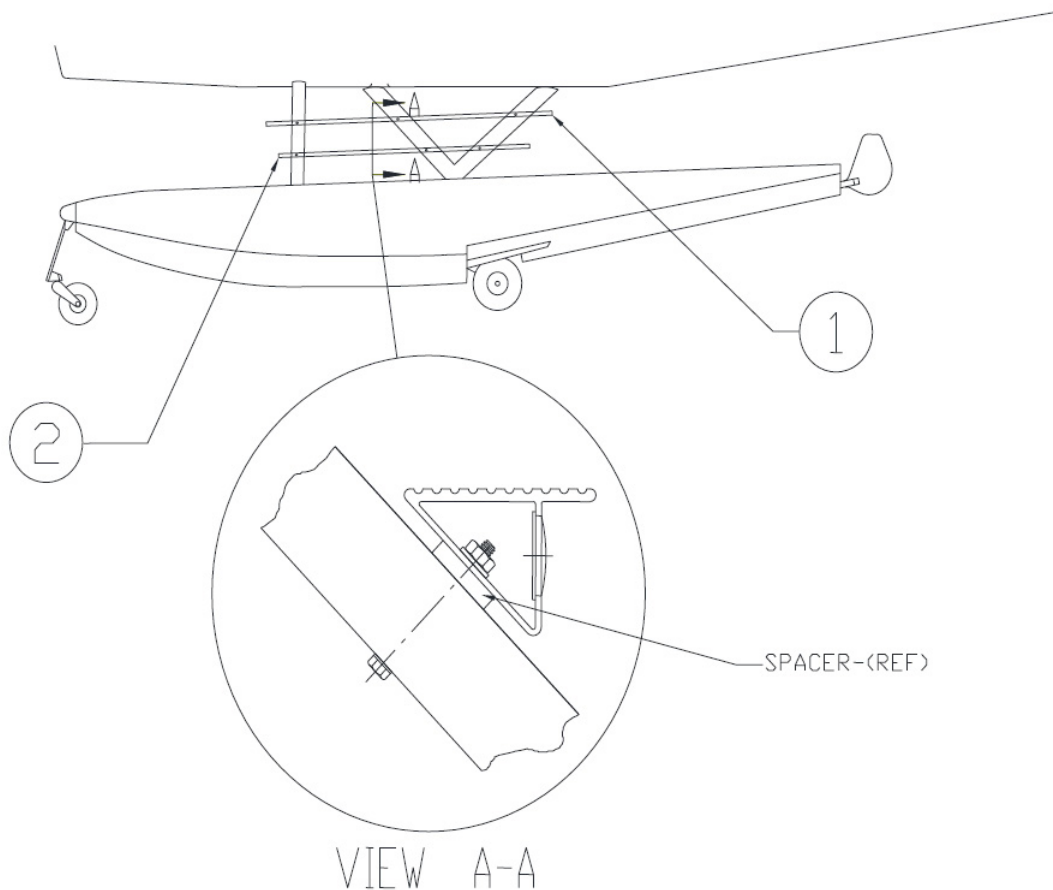
PARTS MANUAL FOR BONDED
WIPLINE MODEL 6000/6100 FLOATS S/N 61499 AND PRIOR ON PILATUS

ITEM	QTY	PART NO.	PART DESCRIPTION
	1	6P02027-002	FITTING, STRUT, CENTER, LOWER RIGHT
	2	AN9-32A	BOLT, 9/16-18 THREAD, 2-1/2" GRIP, 3-13/32" LENGTH
	A/R	NAS1149F0932P	WASHER, 0.578 ID, .032 THK, STEEL
	2	MS21044N9	NUT, LOCKING, REGULAR HEIGHT, 9/16-18 UNF
9	1	6P02000-107	ASS'Y., FWD. STRUT, LEFT
	1	6P02000-106	ASS'Y., FWD. STRUT, RIGHT
	4	AN8-22A	BOLT, 1/2-20, 1.5625 GRIP, UNDRILLED, STEEL
	A/R	NAS1149F0863P	WASHER TO FIT DIA 1/2"
	4	MS21044N8	NUT, LOCKING, REGULAR HEIGHT, 1/2-20 UNF
10	1	6P02056-011	FITTING, FWD. STRUT, LOWER LEFT
	1	6P02056-010	FITTING, FWD. STRUT, LOWER RIGHT
	2	AN9-30A	BOLT, 9/16-18 THREAD, 2-1/4" GRIP, 5-32/32" LENGTH
	A/R	NAS1149F0863P	WASHER TO FIT DIA 1/2"
	2	MS21044N8	NUT, LOCKING, REGULAR HEIGHT, 1/2-20 UNF
11	2	6P02046-005	FITTING, FWD. DRAG WIRE
	2	AN8-23A	BOLT, 1/2-20, 1.6875 GRIP, UNDRILLED, STEEL
	A/R	NAS1149F0863P	WASHER TO FIT DIA 1/2"
	2	MS21044N8	NUT, LOCKING, REGULAR HEIGHT, 1/2-20 UNF
12	2	6P02000-100	ASS'Y, FWD, DRAG WIRE
	4	AN397-25	PIN
	A/R	NAS1149F0763P	WASHER, 0.453 ID, 0.063 THK, STEEL
	4	MS24665-283	PIN
	2	AN665-115RS *	TERMINAL
	2	AN665-115LS *	TERMINAL
	2	AN316C7L *	NUT, JAM (STAINLESS)
	2	AN316C7R*	NUT, JAM (STAINLESS)
	4	MS20392-6C25	PIN, CLEVIS
	4	NAS1149F0732P	WASHER, 0.453 ID, 0.032 THK, STEEL
	4	MS24665-370	COTTER PIN
13	2	6P02059-006	FITTING, FWD. STRUT, UPPER
	2	AN8-24A	BOLT, 1/2-20 THREAD, 1-13/16" GRIP, 2-19/32" LENGTH
	A/R	NAS1149F0863P	WASHER TO FIT DIA 1/2"
	2	MS21044N8	NUT, LOCKING, REGULAR HEIGHT, 1/2-20 UNF
14	2	6P02471-001	LUG, DRAG WIRE, FRONT (UPPER)
15	1	6P02066-003	FITTING, STRUT LINK, CENTER, UPPER
	2	AN8-27A	BOLT, 1/2-20 THREAD, 2-3/16" GRIP, 2-31/32" LENGTH
	A/R	NAS1149F0863P	WASHER TO FIT DIA 1/2"
	2	MS21044N8	NUT, LOCKING, REGULAR HEIGHT, 1/2-20 UNF
16	2	6P02458-001	LUG, DRAG WIRE (REAR)
17	2	6P02108-001	CENTER FUSELAGE STRUT FITTING
	8	AN5-12A	BOLT, SIZE 5/16-24, LENGTH +/- 1/64 - 1-11/32, GRIP 13/16

PARTS MANUAL FOR BONDED
WIPLINE MODEL 6000/6100 FLOATS S/N 61499 AND PRIOR ON PILATUS

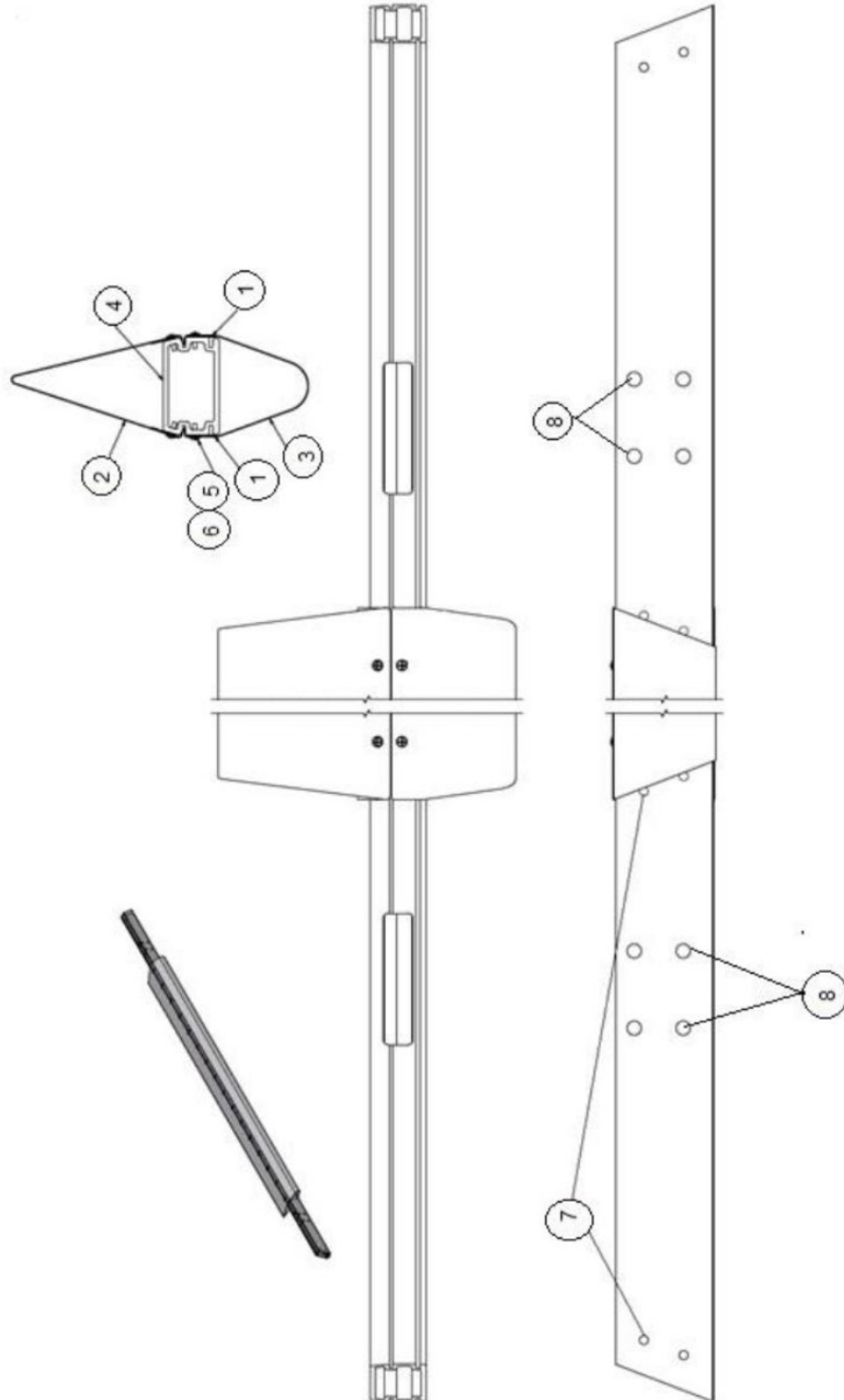
ITEM	QTY	PART NO.	PART DESCRIPTION
	A/R	NAS1149F0532P	WASHER, 0.328 ID, 0.032 THK, STEEL
	A/R	NAS1149F0563P	WASHER, CARBON STEEL, TO FIT DIA 5/16"
	8	MS21044N5	NUT, LOCKING, REGULAR HEIGHT, 5/16-24 UNF
	6	NAS625-18	BOLT, 0.3125-24 THREAD, 1.697" LENGTH, 1-1/4"
	6	NAS143-5C	WASHER
	6	NAS1149F0563P	WASHER, 0.328 ID, 0.063 THK, STEEL
	6	MS21044N5	NUT, LOCKING, REGULAR HEIGHT, 5/16-24 UNF
18	1	6A02362-007	FTG., FLOAT DECK
	2	AN6-10A	BOLT, 3/8-24 THREAD, 7/16" GRIP, 1-5/64" LENGTH
	6	AN3-7A	BOLT, 10-32, 0.5 GRIP, UNDRILLED, STEEL
	6	MS21044N3	NUT, LOCKING, REGULAR HEIGHT, 10-32 UNF
	2	MS21044N6	NUT, LOCKING, REGULAR HEIGHT, 3/8-24 UNF
	4	NAS1149D0663J	WASHER, 0.39 ID, 0.063 THK
	12	NAS1149D0363J	WASHER, 0.203 ID, 0.063 THK

UPPER AND LOWER STEP



ITEM	QTY	PART NO.	PART DESCRIPTION
1	1	6P02369-015	STEP, BOARDING, UPPER R/H
	1	6P02369-016	STEP, BOARDING, UPPER L/H
	2	6P02602-008	SPACER, UPPER
	4	AN3-24A	BOLT, 10-32 THREAD, 2-1/8" GRIP, 2-17/32" LENGTH
	2	AN3-35A	BOLT, 10-32 THREAD, 3-1/4" GRIP, 3-21/32" LENGTH
	12	NAS1149F0363P	WASHER, 0.203 ID, 0.063 THK, STEEL
	6	MS21044N3	NUT, LOCKING, REGULAR HEIGHT, 10-32 UNF
2	1	6P02369-017	STEP, BOARDING, LOWER R/H
	1	6P02369-018	STEP, BOARDING, LOWER L/H
	2	6P02602-007	SPACER, LOWER
	4	AN3-24A	BOLT, 10-32 THREAD, 2-1/8" GRIP, 2-17/32" LENGTH
	2	AN3-26A	BOLT, 10-32 THREAD, 2-3/8" GRIP, 2-25/32" LENGTH
	12	NAS1149F0363P	WASHER, 0.203 ID, 0.063 THK, STEEL
	6	MS21044N3	NUT, LOCKING, REGULAR HEIGHT, 10-32 UNF

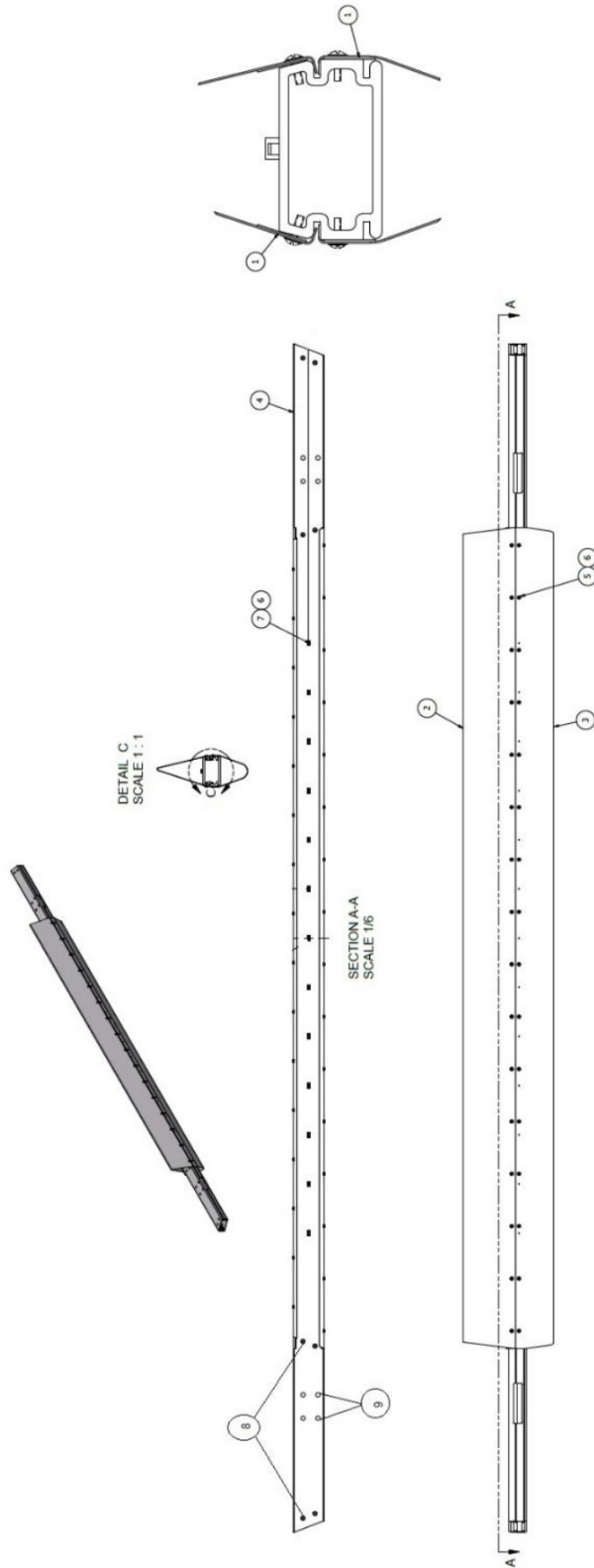
AFT SPREADER BAR ASSEMBLY



PARTS MANUAL FOR BONDED
WIPLINE MODEL 6000/6100 FLOATS S/N 61499 AND PRIOR ON PILATUS

ITEM	QTY	PART NO.	PART DESCRIPTION
-	1	6A03000-007	ASSY., SPR. BAR WITH FAIRINGS, AFT
1	8	6A03005-179	FILLER STRIP, FAIRING
2	1	6A03158-028	FAIRING, SPREADER BAR REAR
3	1	6A03158-029	FAIRING, SPREADER BAR FRONT
4	1	6A03358-001	SPREADER BAR
5	64	AN526C632R8	SCREW, 6-32 THREAD, 1/2" LENGTH, CORROSION RESISTANT
6	64	NAS1149FN616P	WASHER, 0.149 ID, 0.016 THK, STEEL
7	8	6A03702-009	BOLT, SPREADER BAR MODIFIED
8	8	AN8-31A	BOLT, 1/2-20 THREAD, 2-7/16" GRIP, 3-7/32" LENGTH
	8	NAS1149D0863J	WASHER, 0.515 ID, 0.063 THK, ALUMINUM
	12	MS21044N8	NUT, LOCKING, REGULAR HEIGHT, 1/2-20 UNF

FWD SPREADER BAR ASSEMBLY



PARTS MANUAL FOR BONDED
WIPLINE MODEL 6000/6100 FLOATS S/N 61499 AND PRIOR ON PILATUS

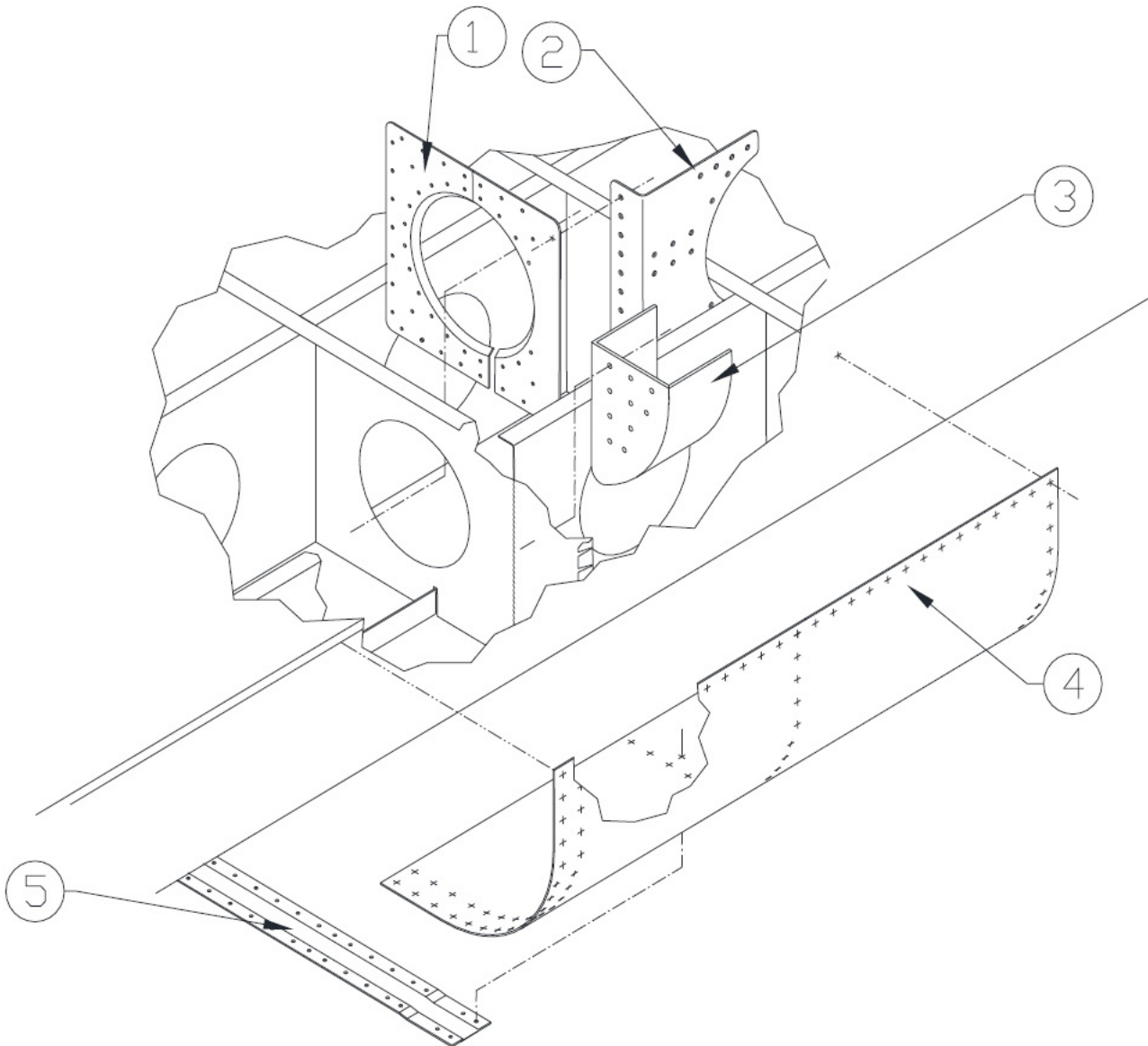
ITEM	QTY	PART NO.	PART DESCRIPTION
-	1	6A03000-024	ASSY., SPR. BAR WITH FAIRINGS, FWD
1	8	6A03005-179	FILLER STRIP, FAIRING
2	1	6A03158-028	FAIRING, SPREADER BAR REAR
3	1	6A03158-029	FAIRING, SPREADER BAR FRONT
4	1	6A03358-001	SPREADER BAR
5	13	AAPQ-43	RIVET
	64	AN526C632R8	SCREW, 6-32 THREAD, 1/2" LENGTH CORROSION RESISTANT
6	64	NAS1149FN616P	WASHER, 0.149 ID, 0.016 THK, STEEL
7	13	TM2S6-M	TIE CLIP
8	8	6A03702-009	BOLT, SPREADER BAR MODIFIED
9	8	AN8-31A	BOLT, 1/2-20 THREAD, 2-7/16" GRIP, 3-7/32" LENGTH
	8	NAS1149D0863J	WASHER, 0.515 ID, 0.063 THK, ALUMINUM
	12	MS21044N8	NUT, LOCKING, REGULAR HEIGHT, 1/2-20 UNF

SECTION 8 FUSELAGE

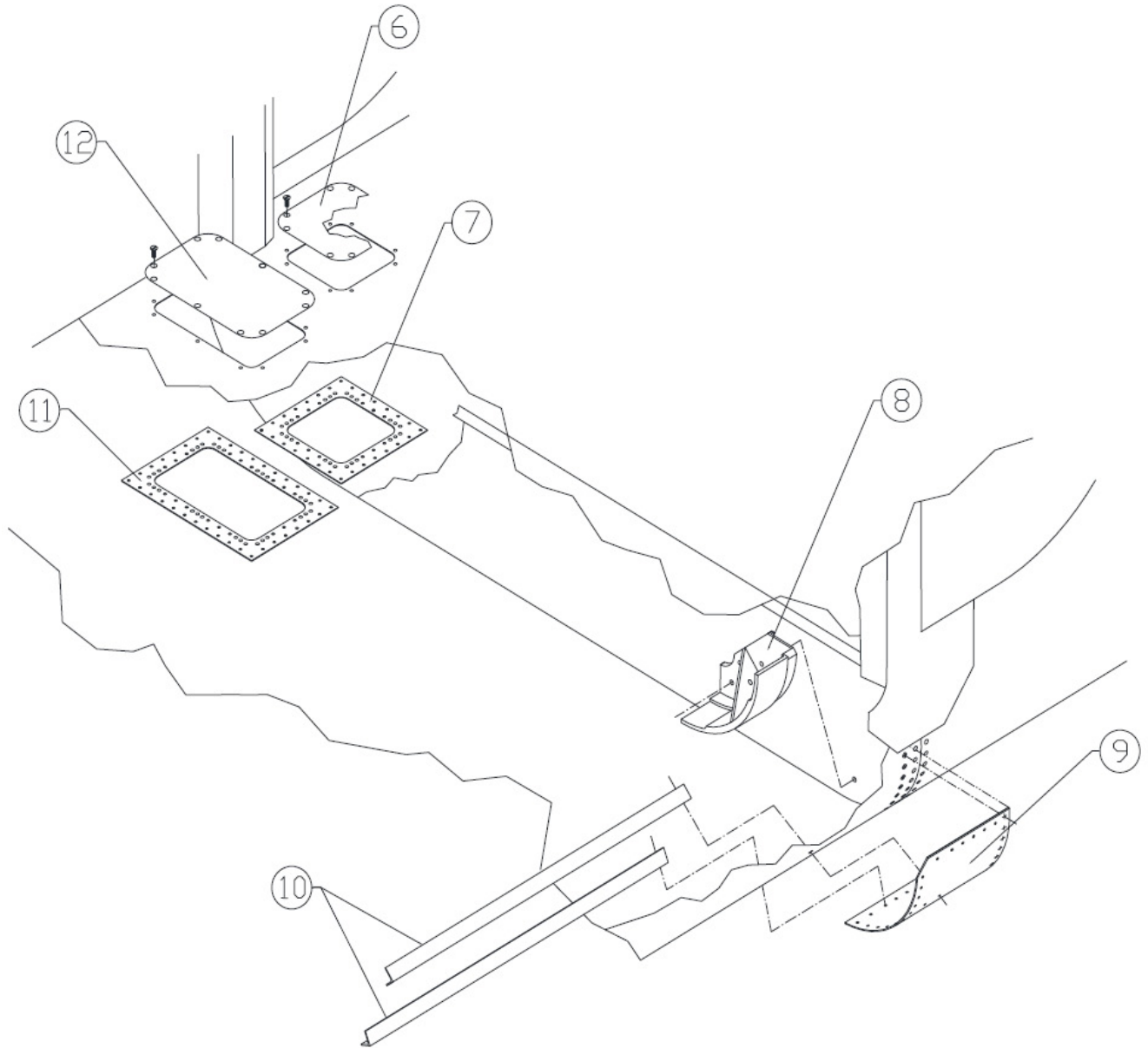
CONTENTS

AFT FUSELAGE REINFORCEMENT	60
FWD FUSELAGE REINFORCEMENT	61
MISCELLANEOUS FUSELAGE ITEMS	63
ELEVATOR TENSION SPRING	66

AFT FUSELAGE REINFORCEMENT



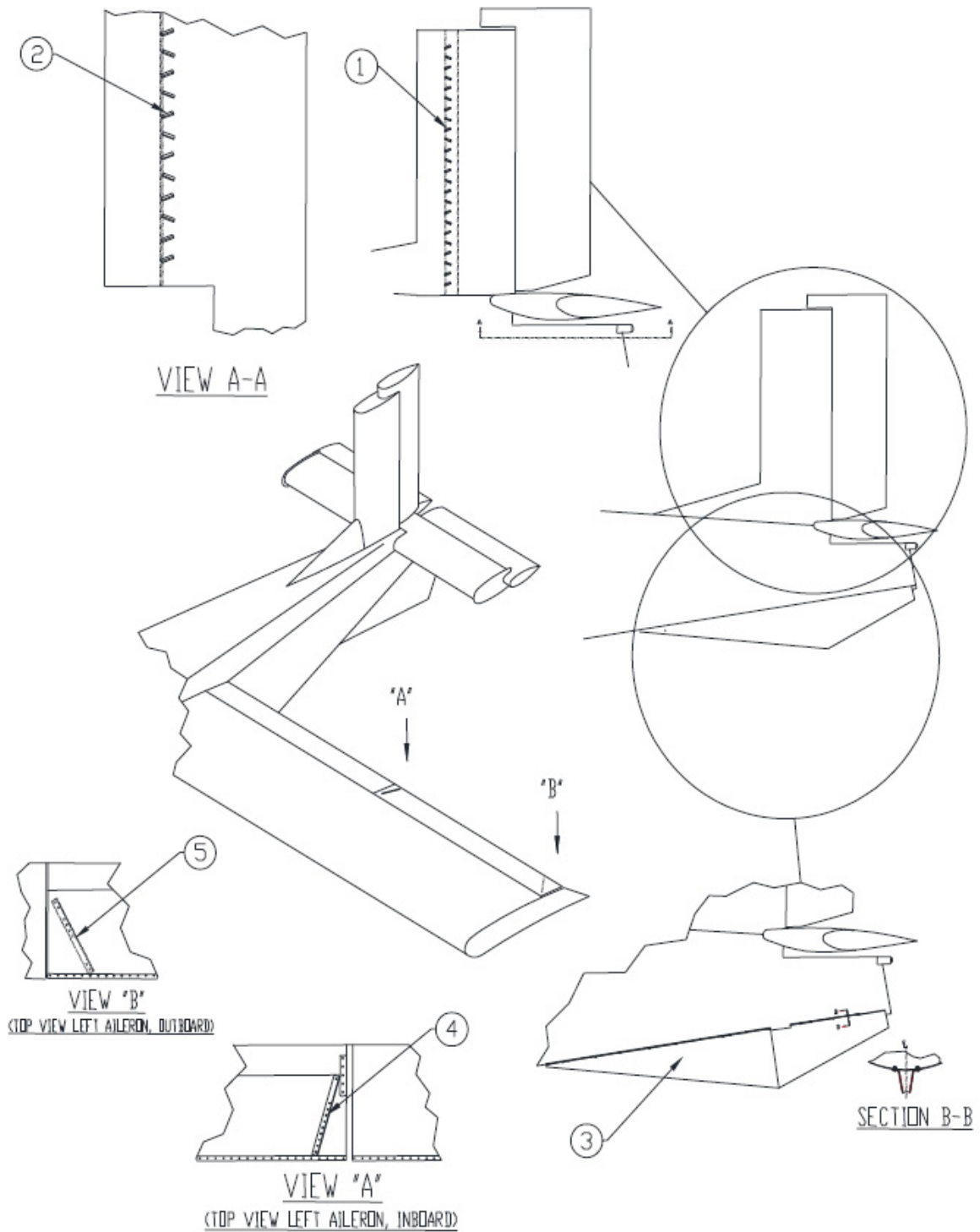
FWD FUSELAGE REINFORCEMENT

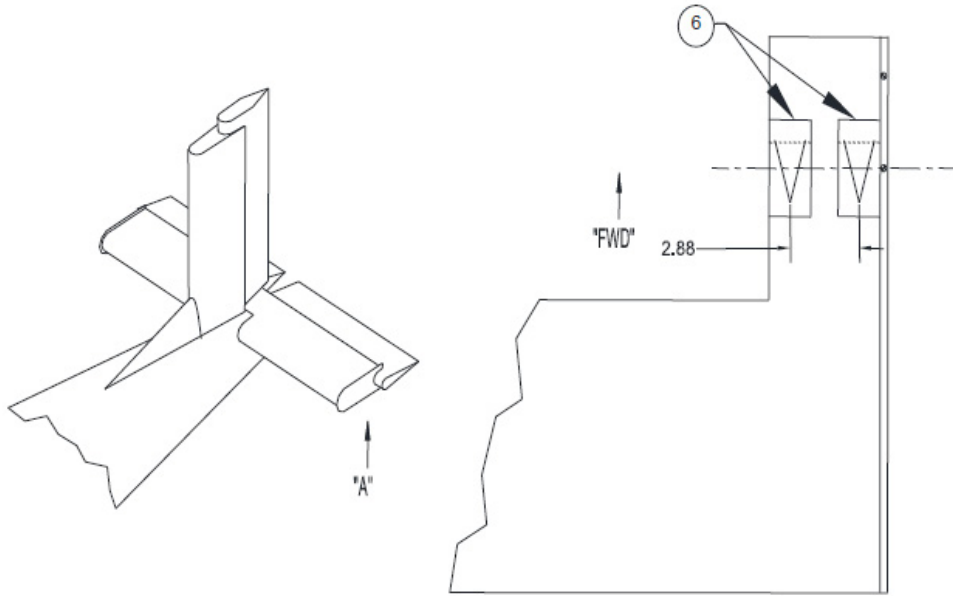


PARTS MANUAL FOR BONDED
WIPLINE MODEL 6000/6100 FLOATS S/N 61499 AND PRIOR ON PILATUS

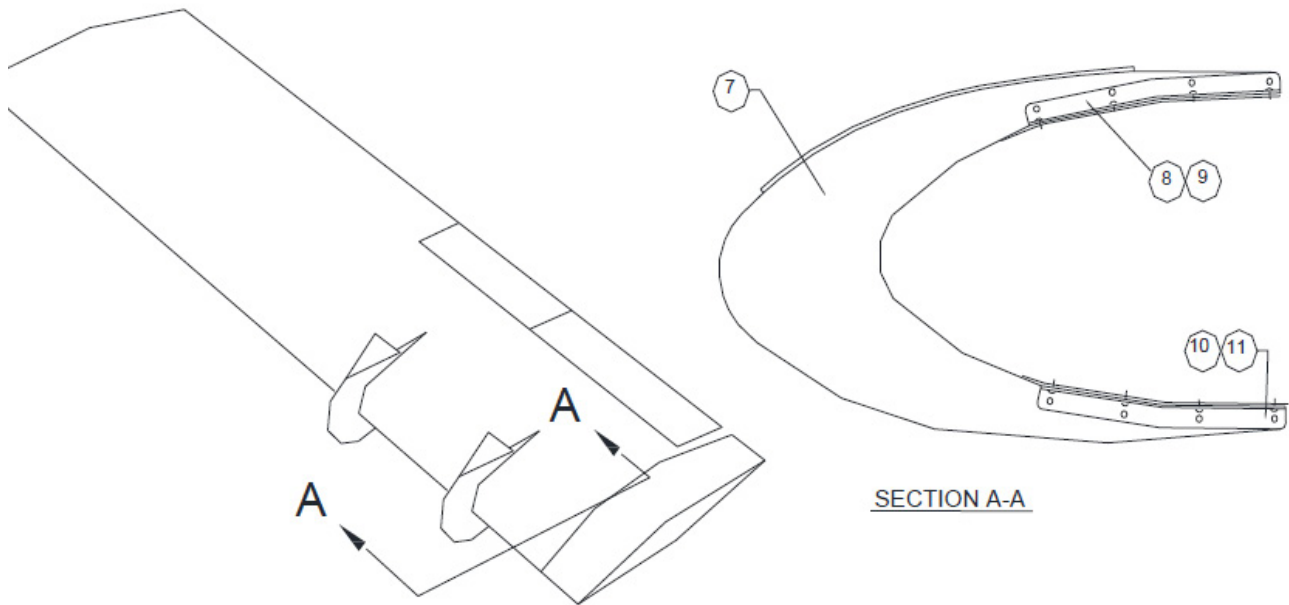
ITEM	QTY	PART NO.	PART DESCRIPTION
1	2	6P12163-030	DOUBLER, BULKHEAD, FUSELAGE, R/H
	2	6P12163-035	DOUBLER, BULKHEAD, FUSELAGE, L/H
	A/R	MS20470AD4	RIVET
2	1	6P12163-031	DOUBLER, BULKHEAD, FUSELAGE, L/H
	1	6P12163-036	DOUBLER, BULKHEAD, FUSELAGE, R/H
	18	AN3-5A	BOLT, 10-32, 0.25 GRIP, UNDRILLED, STEEL
	A/R	NAS1149F0363P	WASHER, 0.203 ID, 0.063 THK, STEEL
	18	MS21044N3	NUT, LOCKING, REGULAR HEIGHT, 10-32 UNF
	A/R	MS20470AD4	RIVET
3	1	6P02109-001	FITTING, SUPPORT, REAR STRUT, L/H
	1	6P02109-002	FITTING, SUPPORT, REAR STRUT, R/H
	20	AN3-4A	BOLT, 10-32, 0.125 GRIP, UNDRILLED, STEEL
	A/R	NAS1149F0363P	WASHER, 0.203 ID, 0.063 THK, STEEL
	20	MS21044N3	NUT, LOCKING, REGULAR HEIGHT, 10-32 UNF
4	2	6P12163-034	DOUBLER, SKIN SUPPORT, REAR
	A/R	MS20470AD5	RIVET, OR CHERRY MAX EQUIVELANT
5	1	6P12353-006	STIFFENER, FUSELAGE SUPPORT
	A/R	MS20470AD4	RIVET
6	1	6P12158-149	COVER, ACCESS HOLE (SMALL)
	8	AN507-832R8	SCREW
7	1	6P12000-013	SUPPORT, ACCESS HOLE (SMALL)
	28	MS20470AD4	RIVET
8	1	6P02106-001	FITTING SUPPORT, FRONT STRUT L/H
	1	6P02106-002	FITTING SUPPORT, FRONT STRUT R/H
	8	AN4-7A	BOLT, 1/4-28, 0.4375 GRIP, UNDRILLED, STEEL
	A/R	NAS1149F0432P	WASHER, 0.265 ID, 0.032 THK, STEEL
	8	NAS1149F0463P	WASHER, 0.265 ID, 0.063 THK, STEEL
	8	MS21044N4	NUT, LOCKING, REGULAR HEIGHT, 1/4-28 UNF
9	1	6P12163-033	DOUBLER, SKIN SUPPORT, FWD, L/H
	1	6P12163-038	DOUBLER, SKIN SUPPORT, FWD, R/H
	A/R	MS20470AD4	RIVET
10	4	6P12340-090	ANGLE, FUSELAGE SUPPORT
	A/R	MS20470AD4	RIVET
11	1	6P12000-012	SUPPORT, ACCESS HOLE (LARGE)
	36	MS20470AD4	RIVET
12	1	6P12158-150	COVER, ACCESS HOLE (LARGE)
	10	AN507-832R8	SCREW

MISCELLANEOUS FUSELAGE ITEMS





VIEW 'A'

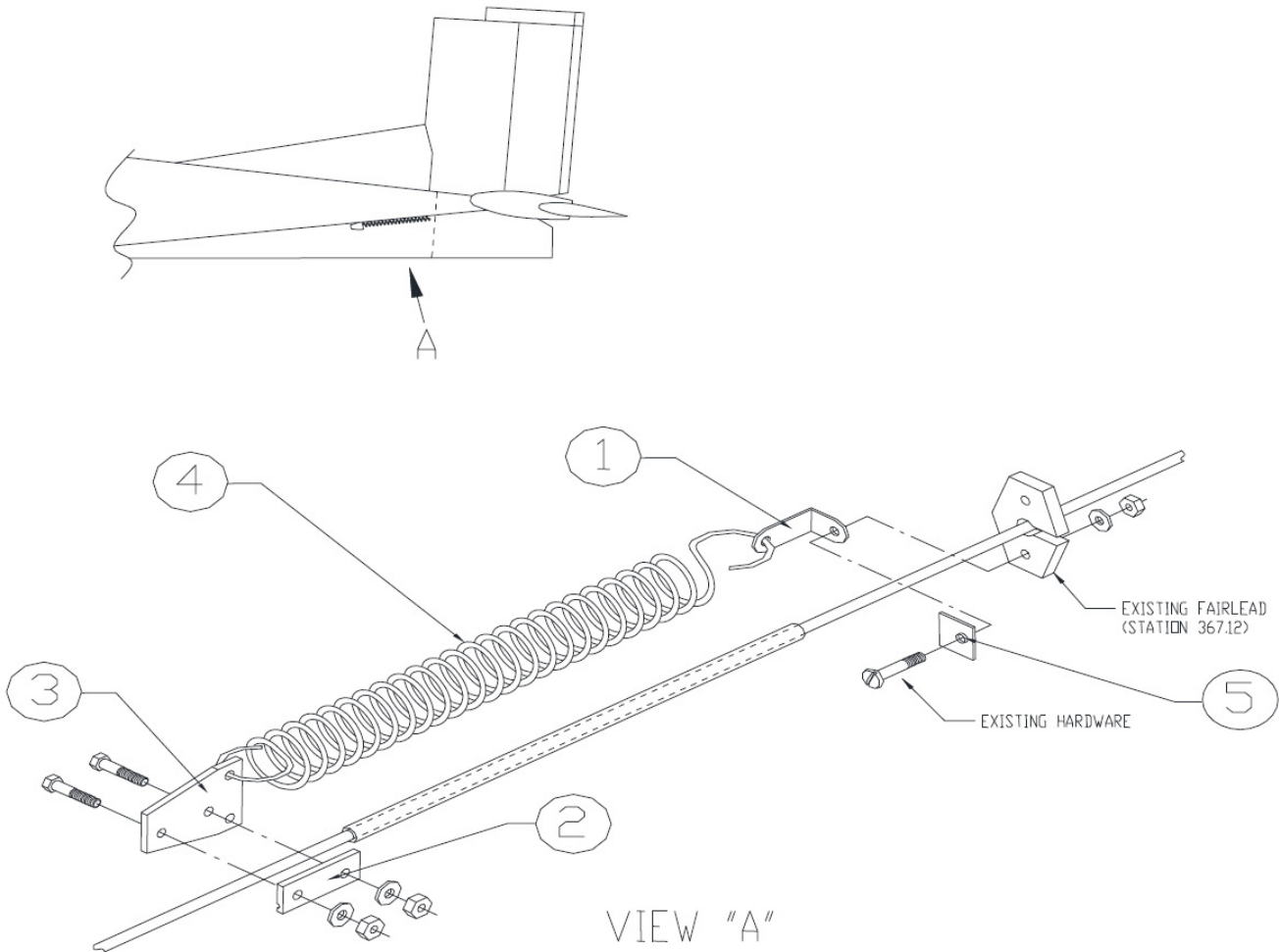


SECTION A-A

PARTS MANUAL FOR BONDED
WIPLINE MODEL 6000/6100 FLOATS S/N 61499 AND PRIOR ON PILATUS

ITEM	QTY	PART NO.	PART DESCRIPTION
1	48	6P12150-118	VORTEX GENERATOR
2	24	6P12150-118	VORTEX GENERATOR
3	1	6P12000-019	ASS'Y., VENTRAL FIN
	36	AN526-10R10	SCREW
	2	MS2106103N	NUTPLATE
	32	MS21059L03N	NUTPLATE, STANDARD FLOATER, BLACK MOLY, 10-32
	2	MS21075L03N	NUTPLATE (INSTALL ON 1005371 DOUBLER)
			(LONGER SCREWS AN526-10R16 AND SMALLER NAS1149F0363P WASHERS MAY BE NECESSARY AT VARIOUS LOCATIONS)
4	1	6P12158-155	AILERON FENCE, TOP L/H
	1	6P12158-156	AILERON FENCE, TOP R/H
	A/R	CR3213-4-2	RIVET, CHERRY
5	1	6P12158-153	AILERON FENCE, LOWER L/H
	1	6P12158-154	AILERON FENCE, LOWER R/H
	A/R	CR3213-4-2	RIVET, CHERRY
6	4	8A12562-001	VORTEX GENERATOR
7	4	6P12000-020	ENERGIZERS
8	4	6P12340-091	ANGLE, UPPER, LEFT
	4	CR3213-4	RIVET
9	4	6P12340-092	ANGLE UPPER, RIGHT
	4	CR3213-4	RIVET
10	4	6P12340-093	ANGLE, LOWER, LEFT
	4	CR3213-4	RIVET
11	4	6P12340-094	ANGLE, LOWER, RIGHT
	4	CR3213-4	RIVET

ELEVATOR TENSION SPRING



ITEM	QTY	PART NO.	PART DESCRIPTION
1	1	6P12162-018	ANGLE, ELEVATOR DIV. SPRING, ATTACH
2	1	13A12001-034	CLAMP-ELEVATOR, FEEL SPRING
3	1	1005381	CLAMP-ELEVATOR, FEEL SPRING
	2	AN3-5A	BOLT, 10-32, 0.25 GRIP, UNDRILLED, STEEL
	2	NAS1149F0363P	WASHER, 0.203 ID, 0.063 THK, STEEL
	2	MS21044N3	NUT, LOCKING, REGULAR HEIGHT, 10-32 UNF
4	1	6P12563-001	SPRING
5	1	6P12156-111	ANGLE, SUPPORT DIV. SPRING, ATTACH

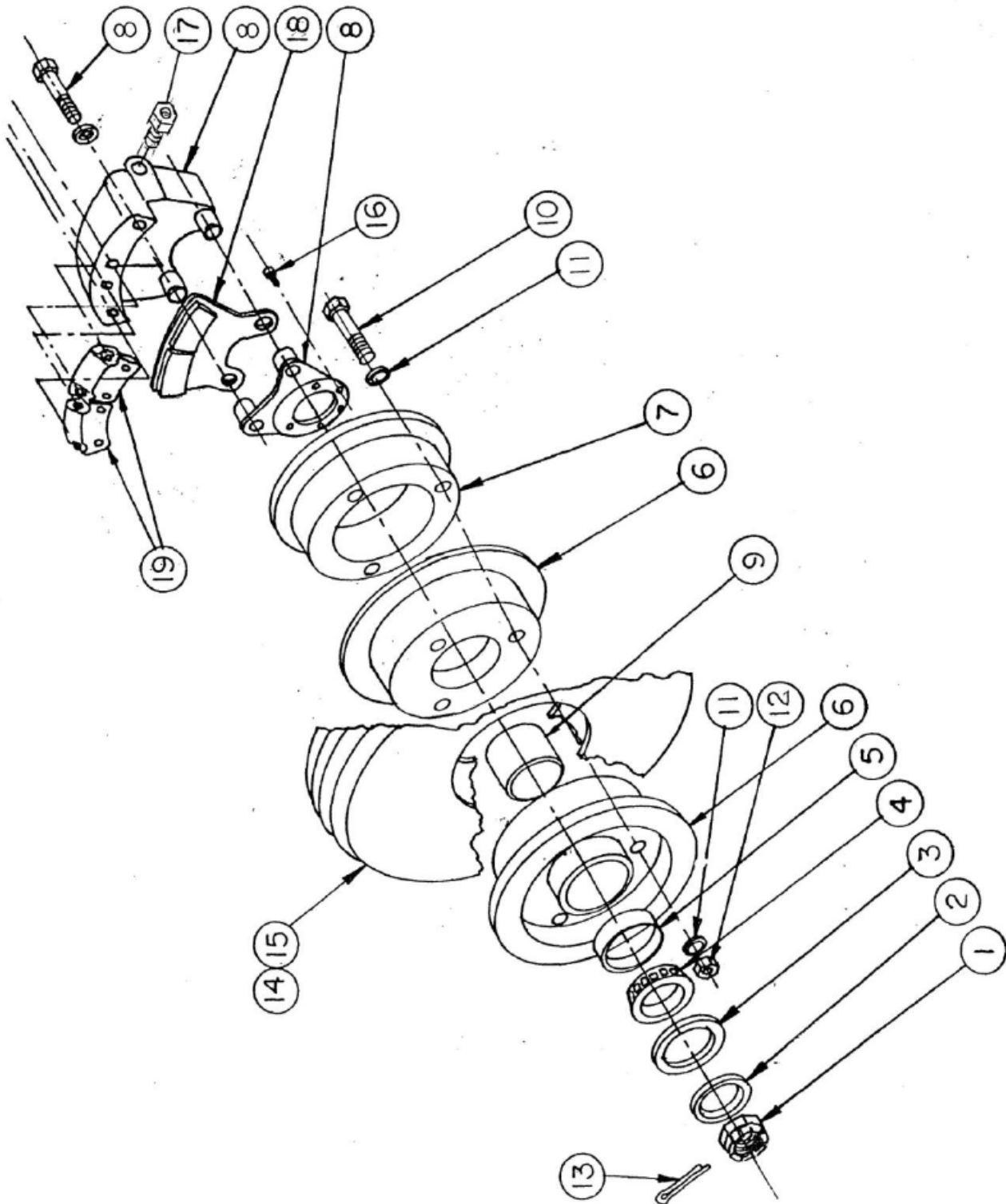
SECTION 9

LANDING GEAR

CONTENTS

MCCAULEY MAIN GEAR WHEEL ASSEMBLY	68
CLEVELAND/PARKER MAIN GEAR WHEEL ASSEMBLY	70
MAIN GEAR AXLE ASSEMBLY	73
OLEO SHOCK STRUT ASS'Y (O-RINGS INSTALLED) OLD VERSION	75
OLEO SHOCK STRUT ASS'Y (T-SEALS INSTALLED) NEW VERSION	77
MAIN GEAR SLIDE TUBE ASS'Y (O-RINGS INSTALLED) OLD VERSION	79
MAIN GEAR SLIDE TUBE ASS'Y (T-SEALS INSTALLED) NEW VERSION	82
NOSE FORK AND PIVOT ASSEMBLY, LOWER END	85
NOSE WHEEL ASSEMBLY WITHOUT TIRE	87
NOSE GEAR RETRACTION ASSEMBLY, UPPER END (O-RINGS INSTALLED) OLD VERSION	89
NOSE GEAR RETRACTION ASSEMBLY, UPPER END (T-SEALS INSTALLED) NEW VERSION	92
NOSE BOX ASSEMBLY (WITHOUT ACTUATOR)	95

MCCAULEY MAIN GEAR WHEEL ASSEMBLY

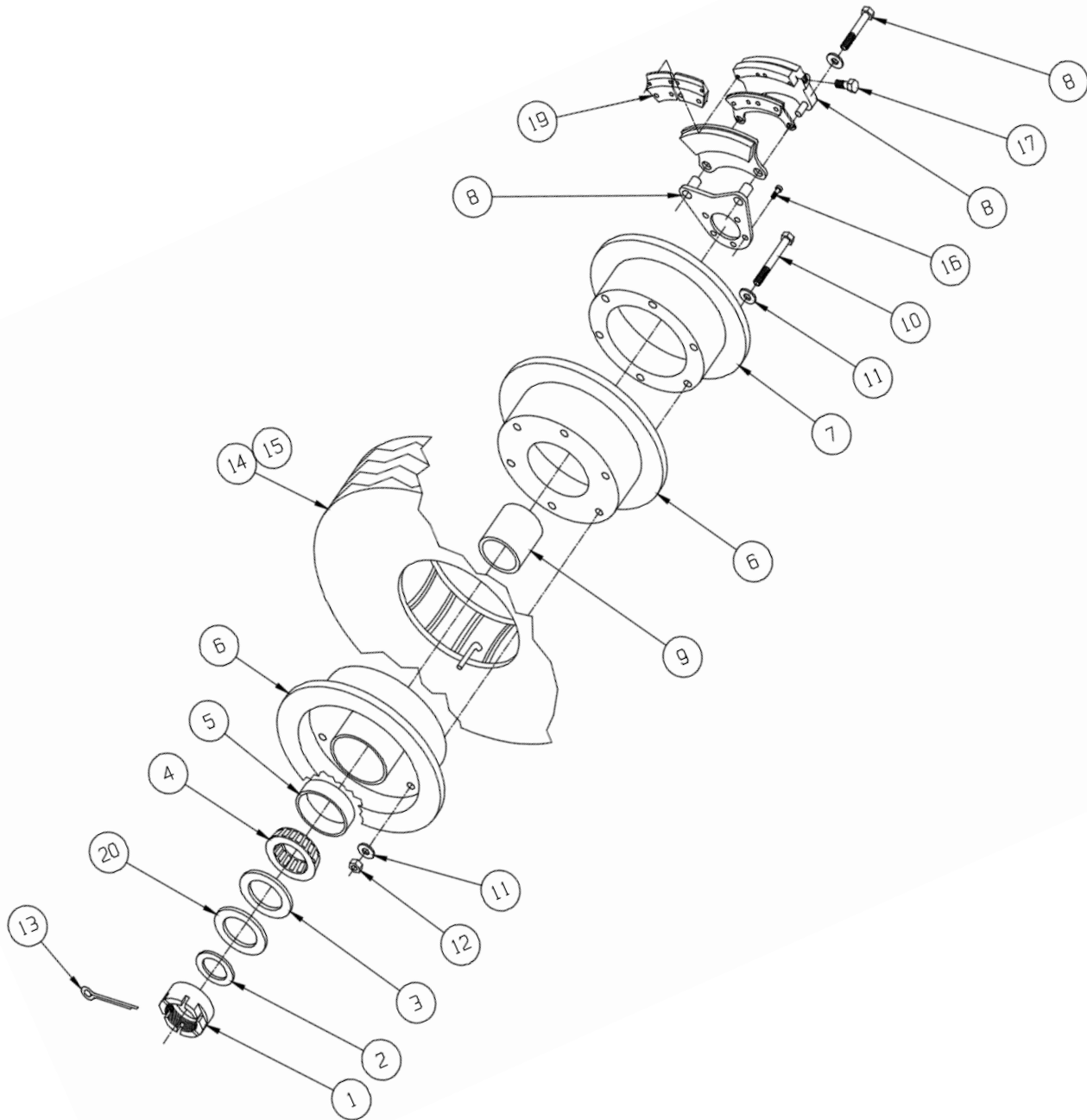


PARTS MANUAL FOR BONDED
WIPLINE MODEL 6000/6100 FLOATS S/N 61499 AND PRIOR ON PILATUS

ITEM	QTY	PART NO.	PART DESCRIPTION
1	1	MS21025-24	NUT, AXLE
2	1	6A04093-002	SPACER, MAIN GEAR AXLE
3	1	472439	SEAL, OUTSIDE
	1	473232	SEAL, INSIDE
4	2	LM29749	BEARING CONE, INSIDE AND OUTSIDE
	2	LM29710CP	BEARING CONE, CHROME PLATED (OPT.)
5	2	LM29710	BEARING CUP, INSIDE AND OUTSIDE
	2	LM29710CP	BEARING CUP, CHROME PLATED (OPT.)
6	1	D-30660-05 (40-418)	ASS'Y. WHEEL, COMPLETE
7	1	164-30615-3	BRAKE DISC
8	1	D-30793-3 (30-241)	ASS'Y. BRAKE, COMPLETE LT.
	1	D-30793-4 (30-241)	ASS'Y. BRAKE, COMPLETE RT.
	1	075-30107-1	BRAKE TORQUE PLATE
	1	075-30107-2	BRAKE TORQUE PLATE
	4	066-30026	BRAKE PADS
	8	105-00200	RIVETS
	4	AN4H21A	BOLT, 1/4-28 THREAD, 1-11/16" GRIP, 12-5/32" LENGTH
	2	MS28775-222	CYL. O RING, HYDRAULIC PACKING, 1.484 ID
	1	073-30113	PRESS PLATE
	2	074-30027	BRAKE PLATE ASS'Y WITH LINING
	1	081-30169	BLEEDER FTG.
	1	079-00300	BLEEDER SCREW
	1	183-00100	BLEEDER CAP
	2	062-30161	PISTON
	2	MS28775-222	PISTON O RING, HYDRAULIC PACKING, 1.484 ID
	1	MS28775-011	O RING, DIA 0.301 BLEEDER
9	1	6A04616-002	GREASE RETAINER
10	3	AN5-37A	BOLT, 5/16-24 THREAD, 3-7/16" GRIP, 3-31/32" LENGTH
11	6	NAS1149F0532P	WASHER, 0.328 ID, 0.032 THK, STEEL
12	3	MS21044N5	NUT, LOCKING, REGULAR HEIGHT, 5/16-24 UNF
13	1	MS24665-353	COTTER PIN
14	1	AA1E6*	TIRE 6:00 X 6 8 PLY (TYPE III)
15	1	XA1AD*	TUBE
16	2	MS16997-96	SCREW, CAP, SOCKET HEAD, 3/8-16X.625, STEEL
	2	MS16997-77	SCREW, CAP, SOCKET HEAD, 5/16-16X.625, STEEL
17	1	6A04258-004	FTG., BRAKE LINE
	1	MS20823-4D	FTG. 45Ø
	1	MS28775-011	O RING, DIA 0.301
18	1	073-30113	PRESSURE PLATE W/PADS
19	2	074-30027	BACK PLATES W/PADS

* Any alternate tire (tube type) which is TSO-approved, matches the listed tire's dimensions, and meets its speed/load/ply ratings may be used. Equivalent tubes may also be used.

CLEVELAND/PARKER MAIN GEAR WHEEL ASSEMBLY



PARTS MANUAL FOR BONDED
WIPLINE MODEL 6000/6100 FLOATS S/N 61499 AND PRIOR ON PILATUS

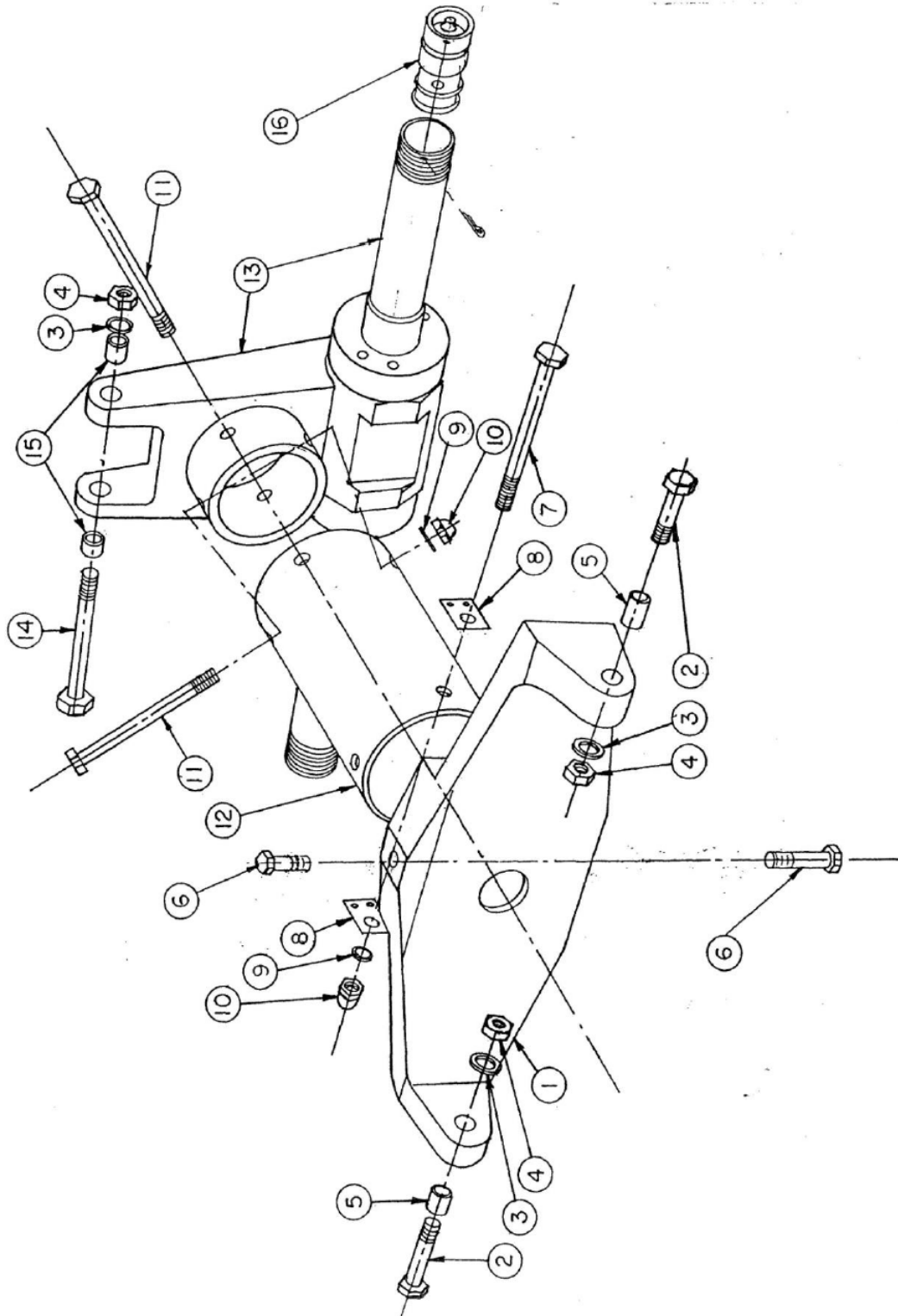
ITEM	QTY	PART NO.	PART DESCRIPTION
-	4	8A04000-031	MAIN WHEEL ASS'Y W/ TIRE & TUBE
1	1	MS21025-24	NUT-AXLE
2	2	6A04093-002	RING-WHEEL RETAINER
3	1	472439	SEAL-OUTSIDE (DRILL #50 HOLE, OUTSIDE FACE)
	1	473232	SEAL-INSIDE
4	2	13889	BEARING-CONE (CLEVELAND)
5	2	13836	BEARING-CUP (CLEVELAND)
6	4	40-418	WHEEL ASSEMBLY-COMplete (CLEVELAND)
	4	40-418-3	WHEEL ASSEMBLY COMPLETE (WITH CHROME BRAKE DISC)
7	1	164-24500	BRAKE DISC
	1	164-24501	BRAKE DISC, CHROME PLATED
8	4	30-241	BRAKE ASSEMBLY-COMplete
	2	6A04000-104	BRAKE ASSEMBLY-COMplete (RIGHT)
	2	6A04000-105	BRAKE ASSEMBLY-COMplete (LEFT)
	1	075-20700	BRAKE TORQUE PLATE
	2	145-01000	BUSHING
	4	066-10500	BRAKE PADS (ONLY)(NEW STYLE)
	-	066-30026	OLD STYLE BRAKE PADS
	4	MS21250HO4026	BOLTS (BRAKE PADS)
	4	MS20002CH	BRAKE PAD BOLT WASHERS
	8	105-00200	RIVETS (BRAKE PADS)
	1	081-00200	BLEEDER SEAT
	1	079-00300	BLEEDER SCREW
	1	183-00100	BLEEDER CAP
	2	069-03100	ANCHOR BOLT
	2	062-10700	PISTON
	2	MS28775-222	O RING, HYDRAULIC PACKING, 1.484 ID
	1	MS28775-012	O RING, HYDRAULIC PACKING, .364 ID
9	1	067-14700	RETAINER-GREASE
10	6	AN5-35A	BOLT, 5/16-24, 3.1875 GRIP, UNDRILLED, STEEL
11	12	NAS1149D0563J	WASHER, 0.328 ID, 0.063 THK, ALUMINUM
12	6	MS21042-5	NUT, SELF LOCKING, 450°, 5/16-24 UNF
13	1	MS24665-353	COTTER PIN
14	1	AA1E6*	TIRE-6:00 X 6 8 PLY (TYPE III)
15	1	XA1AD*	TUBE
16	2	MS16997-96	SCREW, CAP, SOCKET HEAD, 3/8-16X.625, STEEL
	2	MS16997-77	SCREW, CAP, SOCKET HEAD, 5/16-16X.625, STEEL
17	2	104-04700	FITTING
	1	MS28775-011	O RING, DIA 0.301
18	2	073-04200	PRESSURE PLATE (W/PADS)
19	4	074-02900	BACK PLATE (W/PADS)

PARTS MANUAL FOR BONDED
WIPLINE MODEL 6000/6100 FLOATS S/N 61499 AND PRIOR ON PILATUS

ITEM	QTY	PART NO.	PART DESCRIPTION
20	2	155-14300	SNAP RING

* Any alternate tire (tube type) which is TSO-approved, matches the listed tire's dimensions, and meets its speed/load/ply ratings may be used. Equivalent tubes may also be used.

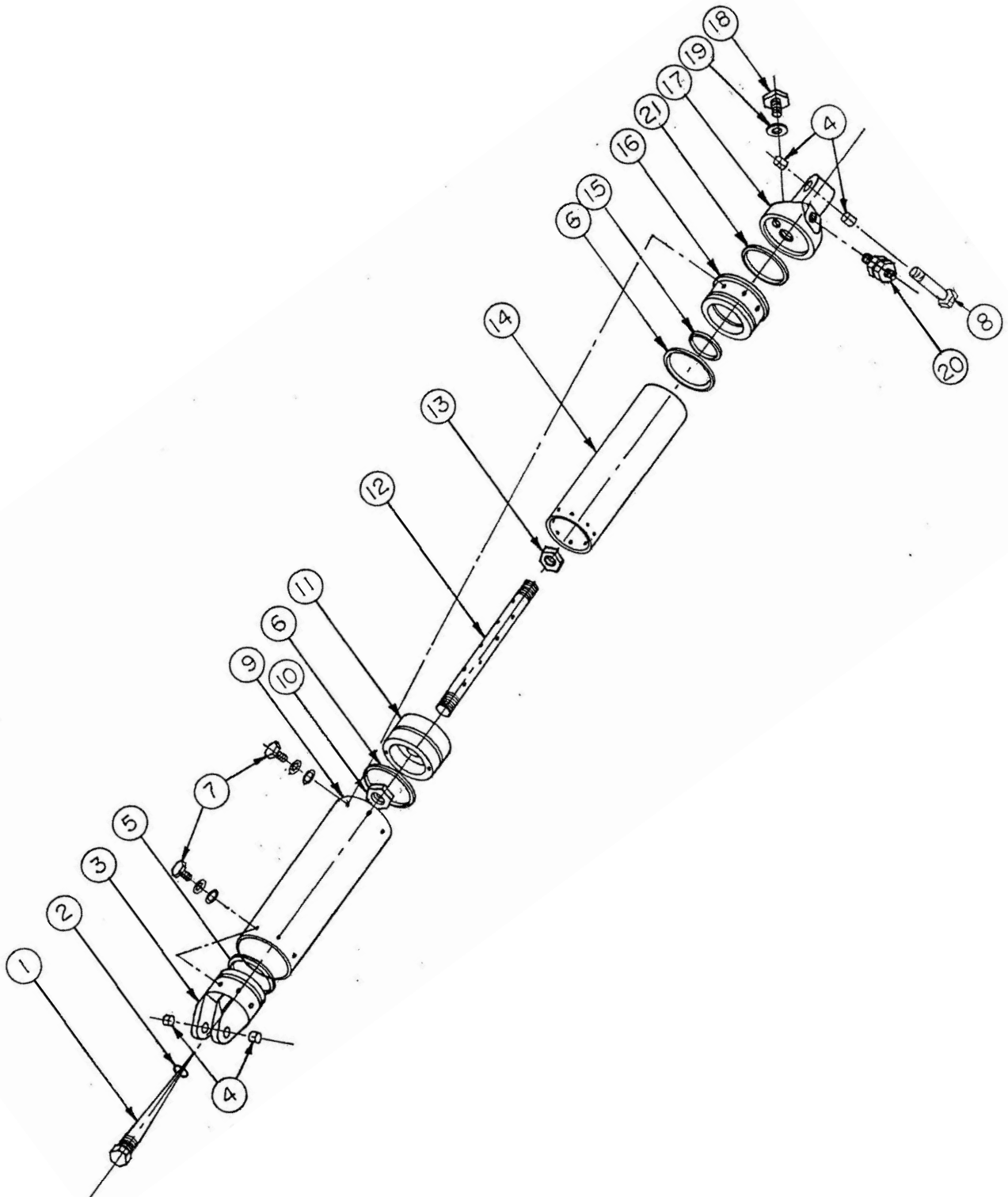
MAIN GEAR AXLE ASSEMBLY



PARTS MANUAL FOR BONDED
WIPLINE MODEL 6000/6100 FLOATS S/N 61499 AND PRIOR ON PILATUS

ITEM	QTY	PART NO.	PART DESCRIPTION
-	1	6A04000-015	ASS'Y., MAIN GEAR AXLE
1	1	6A04311-001	DRAG BRACE (FACTORY REPLACE ONLY)
2	2	AN8-24A	BOLT, 1/2-20 THREAD, 1-13/16" GRIP, 2-19/32" LENGTH
3	2	NAS1149D0863J	WASHER, 0.515 ID, 0.063 THK, ALUMINUM
4	3	MS21044N8	NUT, LOCKING, REGULAR HEIGHT, 1/2-20 UNF
5	2	08DU12	BEARING
6	2	AN6-13A	BOLT, 3/8-24, 0.8125 GRIP, UNDRILLED, STEEL
7	1	AN6-46A	BOLT, 3/8-24 THREAD, 4-3/16" GRIP, 4-53/64 LENGTH
8	2	6A04008-024	CLIP, BRAKE LINE
9	8	NAS1149D0663J	WASHER, 0.39 ID, 0.063 THK, ALUMINUM
	2	NAS1149D0616J	WASHER, 0.39 ID, 0.016 THK, ALUMINUM
10	5	MS21044N6	NUT, LOCKING, REGULAR HEIGHT, 3/8-24 UNF
11	2	AN6-43A	BOLT, 3/8-24 THREAD, 3-13/16" GRIP, 4-29/64 LENGTH
12	1	6A04297-001	TUBE, DRAG LINK (FACTORY REPLACE ONLY)
13	1	6A04000-016 6A04510-001	ASS'Y., AXLE (FACTORY REPLACE ONLY) NOTE: MAIN GEAR AXLE NOT AVAILABLE – CAN BE REPLACED AT WIPAIRE
14	1	AN8-42A	BOLT, 1/2-20 THREAD, 3-9/16" GRIP, 4-11/32" LENGTH
15	2	08DU08	BEARING
16	1	6A04263-002	INSERT-AXLE GREASE (1.150 DIA.)
	2	MS28775-213	O RING, DIA 0.921
	1	1095K41	GREASEZERK
	1	6A04263-003	INSERT-AXLE GREASE (1.230 DIA.)
	2	MS28775-214	O RING, DIA 0.984
	1	1095K41	GREASEZERK
	1	6A04263-004	INSERT-AXLE GREASE (1.020 DIA.)
	2	MS28775-210	O RING, DIA 0.734
	1	1095K41	GREASEZERK

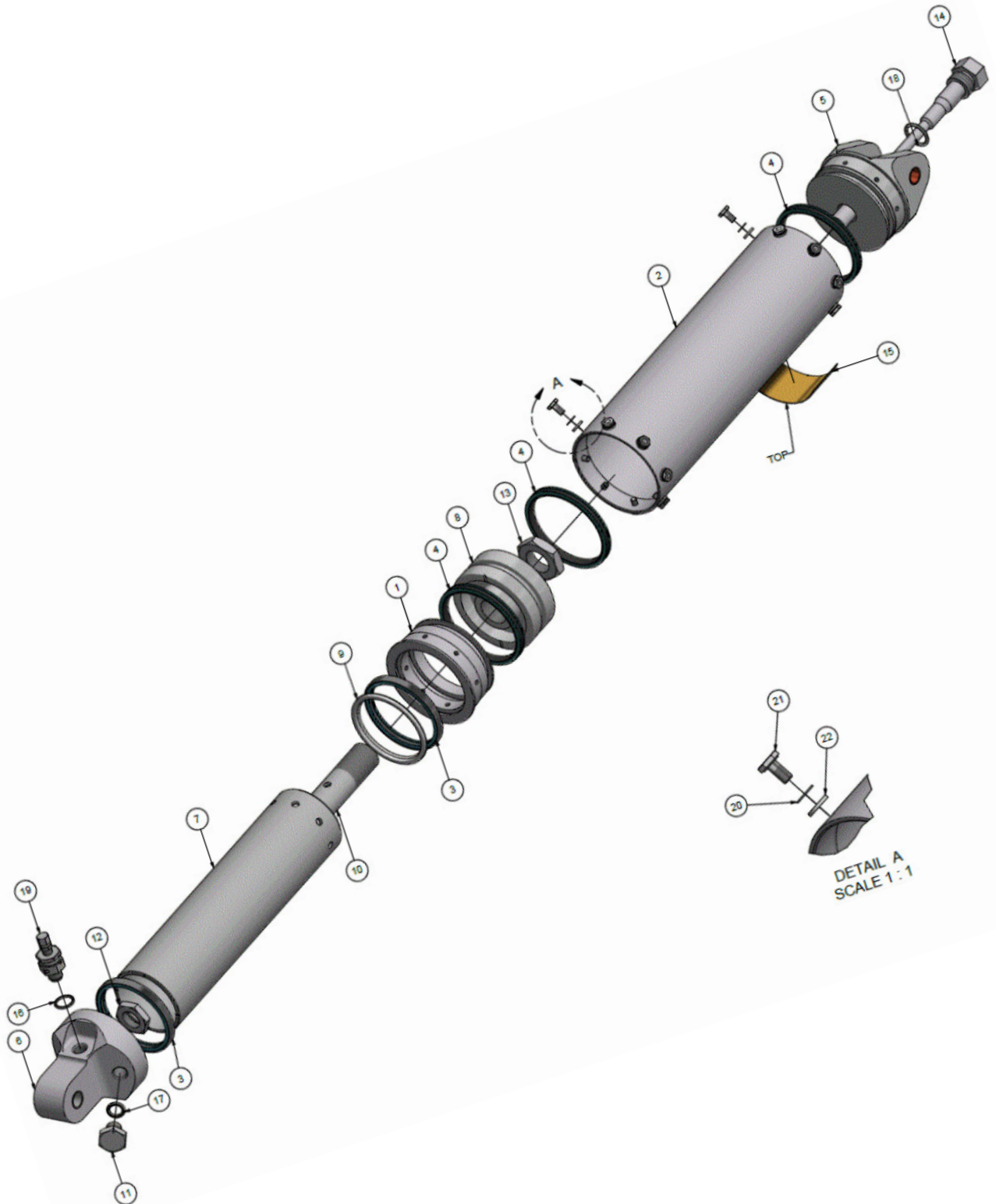
OLEO SHOCK STRUT ASS'Y (O-RINGS INSTALLED) OLD VERSION



PARTS MANUAL FOR BONDED
WIPLINE MODEL 6000/6100 FLOATS S/N 61499 AND PRIOR ON PILATUS

ITEM	QTY	PART NO.	PART DESCRIPTION
-	1	6A04000-014	ASSY., OLEO SHOCK STRUT
1	1	6A04261-001	ROD, METERING - 6000
	1	6P04261-007	ROD, METERING - 6100
2	1	MS28775-116	O RING, DIA 0.737
3	1	6A04256-003	CAP, SHOCK STRUT END OLD STYLE
4	4	08DU08	BUSHING, 1/2" DIA, LENGTH 1/2"
5	4	MS28775-234	O RING, DIA 2.984
6	2	MS28775-336	O RING, DIA 2.855
	2	MS28775-234	O RING, DIA 2.984
7	16	NAS6203-2	BOLT
	16	MS35333-39	LOCKWASHER, INTERNAL TOOTH, TO FIT DIA #10
	16	NAS1149D0363J	WASHER, 0.203 ID, 0.063 THK, ALUMINUM
8	1	AN8-30A	BOLT, 1/2-20 THREAD, 2-5/16" GRIP, 3-3/32" LENGTH
	2	NAS1149D0863J	WASHER, 0.515 ID, 0.063 THK, ALUMINUM
	1	MS21044N8	NUT, 1/2-20 THREAD, NYLON INSERT, 250 DEG.
9	1	6A04407-001	OUTER CYLINDER SHOCK-STRUT
10	1	6A04276-001	NUT - CHECK - SHOCK STRUT
11	1	6A04256-004	PISTON SHOCK - STRUT OLD STYLE
12	1	6A04270-001	METERING TUBE SHOCK-STRUT
13	1	6A04275-001	NUT, CHECK, SHOCK STRUT
14	1	6A04538-001	INNER CYLINDER SHOCK STRUT 6100
15	1	MS28775-334	O RING, DIA 2.6
	1	MS28775-231	O RING, DIA 2.609
16	1	6A04296-001	GLAND SHOCK-STRUT
	1	1009966	WIPER, SHOCK STRUT, T-SEAL
17	1	6A04256-002	CAP, SHOCK STRUT END OLD STYLE
18	1	6A04271-003	CAP
19	1	MS28775-111	O RING, DIA 0.424
20	1	MS28889-2	VALVE, AIR, HIGH PRESSURE CHARGING, 5000 PSI
	1	MS28775-015	O RING, DIA 0.551
21	1	MS28775-231	O RING, DIA 2.609

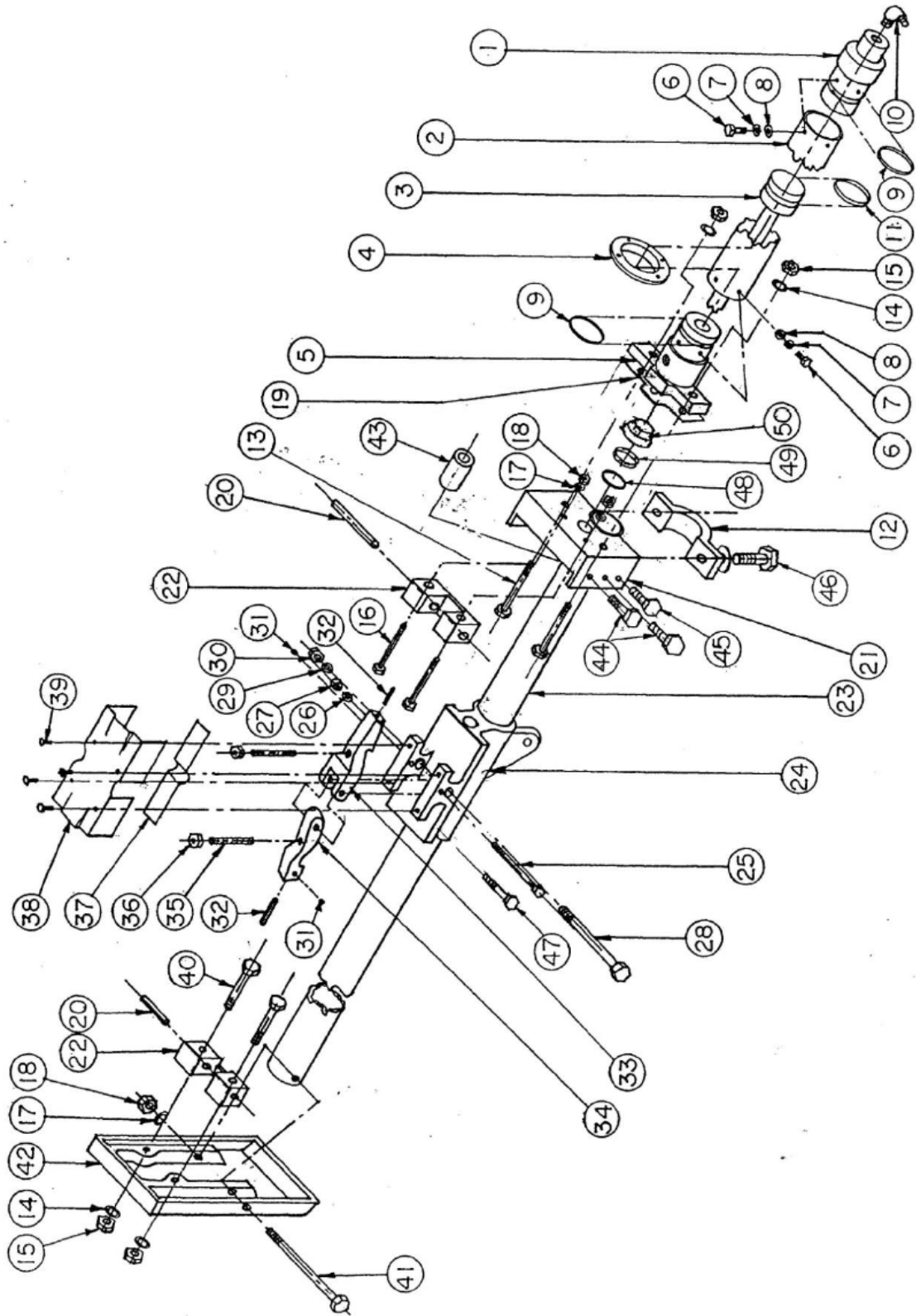
OLEO SHOCK STRUT ASS'Y (T-SEALS INSTALLED) NEW VERSION



PARTS MANUAL FOR BONDED
WIPLINE MODEL 6000/6100 FLOATS S/N 61499 AND PRIOR ON PILATUS

ITEM	QTY	PART NO.	PART DESCRIPTION
-	1	1002068	ASS'Y, OLEO SHOCK STRUT
1	1	1002017	GLAND - OUTER CYL - SHOCK STRUT
2	1	1002018	CYLINDER, OUTER, SHOCK STRUT, 6100
3	2	1002027	ROD, T-SEAL
4	3	1002028	T-SEAL
5	1	1002650	CAP, END, SHOCK STRUT, W/BUSHINGS
6	1	1002651	CAP, TOP, SHOCK STRUT, W/BUSHINGS
7	1	1002653	CYLINDER, INNER, SHOCK STRUT, 6100
8	1	1002654	PISTON, SHOCK STRUT, 8000
9	1	1009966	WIPER, SHOCK STRUT, 8000, T-SEAL
10	1	6A04270-001	ROD - PISTON, SHOCK STRUT
11	1	6A04271-003	PLUG SHOCK STRUT
12	1	6A04275-001	NUT, CHECK, SHOCK STRUT
13	1	6A04276-001	NUT, CHECK, SHOCK STRUT
14	1	6P04261-007	PIN - METERING
15	1	8A3-5086	PLACARD, HYDRAULIC CYLINDER
16	1	MS28775-015	O RING, DIA 0.551
17	1	MS28775-111	O RING, DIA 0.424
18	1	MS28775-116	O RING, DIA 0.737
19	1	MS28889-2	VALVE
20	16	MS35333-39	LOCKWASHER, INTERNAL TOOTH, TO FIT DIA #10
21	16	NAS1103-2	BOLT
22	16	NAS1149D0363J	WASHER, 0.203 ID, 0.063 THK, ALUMINUM

MAIN GEAR SLIDE TUBE ASS'Y (O-RINGS INSTALLED) OLD VERSION



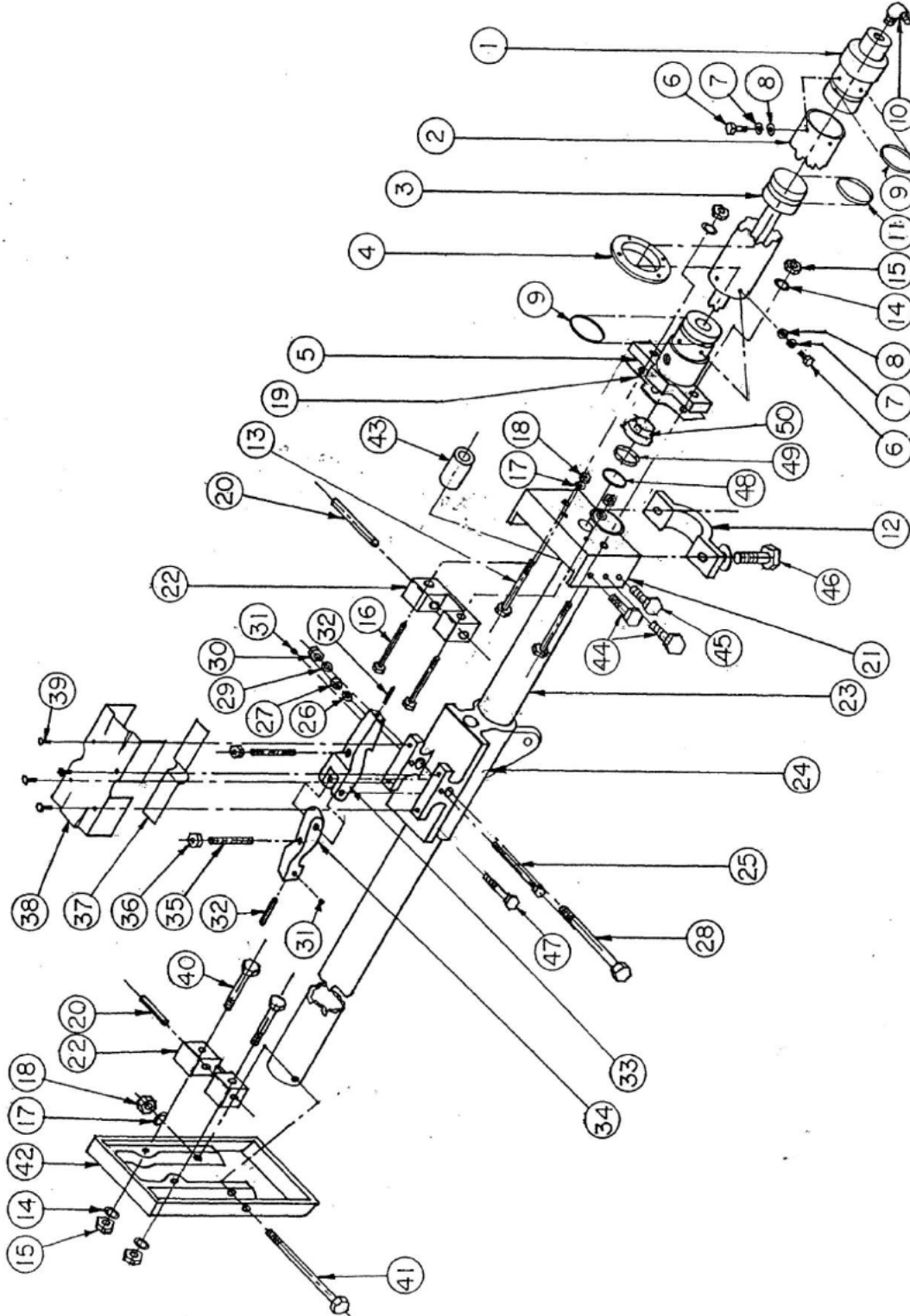
PARTS MANUAL FOR BONDED
WIPLINE MODEL 6000/6100 FLOATS S/N 61499 AND PRIOR ON PILATUS

ITEM	QTY	PART NO.	PART DESCRIPTION
1	1	6A05268-001	CYL., END CAP ASS'Y.
2	1	6A05116-001	CYL. OUTSIDE
3	1	6A05000-006	RAM ASS'Y.
4	1	6A05181-001	RING CYL. SUPPORT
	1	MS28775-327	O RING, DIA 1.725
5	1	6A05199-001	FLANGE CYL. END ASS'Y.
6	8	NAS6203-2	BOLT
7	8	MS35333-39	LOCKWASHER, INTERNAL TOOTH, TO FIT DIA #10
8	8	NAS1149D0363J	WASHER, 0.203 ID, 0.063 THK, ALUMINUM
9	2	MS28775-220	O RING, DIA 1.359
10	2	MS20822-4D	ELBOW
11	1	MS28775-219	O RING, DIA 1.296
12	1	6A05196-001	SLIDE TUBE CAP
13	2	AN6-12A	BOLT, 3/8-24 THREAD, 11/16" GRIP, 1-21/64" LENGTH
14	A/R	NAS1149D0663J	WASHER, 0.39 ID, 0.063 THK, ALUMINUM
15	6	MS21044N6	NUT, LOCKING, REGULAR HEIGHT, 3/8-24 UNF
16	2	AN4-24A	BOLT, 1/4-28 THREAD, 2-1/16" GRIP, 2-17/32" LENGTH
17	A/R	NAS1149D0463J	WASHER, 0.265 ID, 0.063 THK, ALUMINUM
18	4	MS21044N4	NUT, LOCKING, REGULAR HEIGHT, 1/4-28 UNF
19	A/R	6A05156-026	SHIM
20	2	6A05702-008	LOCK PIN
21	1	6A05208-001	FTG., SLIDE TUBE
22	2	6A05193-001	LOCK CATCH
23	1	6A05402-003	SLIDE TUBE
	1	6A05259-002	END, SLIDE TUBE, INSERT
24	1	6A05309-001	CARRIAGE COMPLETE WITH HOOKS
	1	1002642	CARRIAGE WITH BUSHINGS ONLY
	2	26DU16	BUSHING (LG.)
	2	08DU08	BUSHING (SM.)
	1	1095K41	GREASE ZERK
25	1	AN3-25A	BOLT, 10-32 THREAD, 2-1/4" GRIP, 2-21/32" LENGTH
26	A/R	NAS1149D0363J	WASHER, 0.203 ID, 0.063 THK, ALUMINUM
27	1	MS21044N3	NUT, LOCKING, REGULAR HEIGHT, 10-32 UNF
28	1	AN6-26A	BOLT, SIZE 3/8-24, LENGTH 1/64 - 2-53/64, GRIP LENGTH 2-3/16
29	A/R	NAS1149D0663J	WASHER, 0.39 ID, 0.063 THK, ALUMINUM
30	1	MS21044N6	NUT, LOCKING, REGULAR HEIGHT, 3/8-24 UNF
31	2	1032 NF X 3/16	SET SCREW
32	2	3A05701-001	MAGNET
33	1	6A05042-001	LOCK AFT
34	1	6A05041-001	LOCK FWD
35	2	6A05087-001	SCREW, ADJUSTING, MAIN GEAR LOCK

PARTS MANUAL FOR BONDED
WIPLINE MODEL 6000/6100 FLOATS S/N 61499 AND PRIOR ON PILATUS

ITEM	QTY	PART NO.	PART DESCRIPTION
36	2	AN316-4R	NUT JAM, HEXAGON, 1/4-28 THREAD, RIGHT
37	1	6A05533-001	SPRING LOCK
38	1	6A05158-019	COVER CARRIAGE
39	4	AN526-832R8	SCREW, WASHER HEAD, 8-32 THREAD, 1/8" GRIP, 1/2" LENGTH
	4	MS35333-38	LOCKWASHER, INTERNAL TOOTH, TO FIT DIA #8
	4	NAS1149DN832J	WASHER, 0.174 ID, 0.032 THK, ALUMINUM
40	2	AN4-24A	BOLT, 1/4-28 THREAD, 2-1/16" GRIP, 2-17/32" LENGTH
41	1	AN6-47A	BOLT, 3/8-24 THREAD, 4-5/16" GRIP, 4-61/64 LENGTH
42	1	6A01201-001	FTG., FWD., SLIDE TUBE
43	1	6A05259-002	END, SLIDE TUBE
44	4	AN5-6A	BOLT, 5/16-24, 0.3125 GRIP, UNDRILLED, STEEL
	A/R	NAS1149D0563J	WASHER, 0.328 ID, 0.063 THK, ALUMINUM
	4	MS21044N5	NUT, LOCKING, REGULAR HEIGHT, 5/16-24 UNF
45	2	AN6-7A	BOLT, 3/8-24 THREAD, 5/16" GRIP, 61/64" LENGTH
	A/R	NAS1149D0663J	WASHER, 0.39 ID, 0.063 THK, ALUMINUM
	2	MS21044N6	NUT, LOCKING, REGULAR HEIGHT, 3/8-24 UNF
46	2	AN5H10A	BOLT, 5/16-24 THREAD, 9/16" GRIP, 1-3/32" LENGTH
	A/R	NAS1149D0563J	WASHER, 0.328 ID, 0.063 THK, ALUMINUM
47	1	AN4-14A	BOLT, 1/4-28, 1.0625 GRIP, UNDRILLED, STEEL
	A/R	NAS1149D0463J	WASHER, 0.265 ID, 0.063 THK, ALUMINUM
	1	MS21044N4	NUT, LOCKING, REGULAR HEIGHT, 1/4-28 UNF
48	1	MS28775-314	"O" RING
49	1	6A05580-004	WIPER, MAIN, FELT
50	1	8880410	WIPER, NYLON

MAIN GEAR SLIDE TUBE ASS'Y (T-SEALS INSTALLED) NEW VERSION



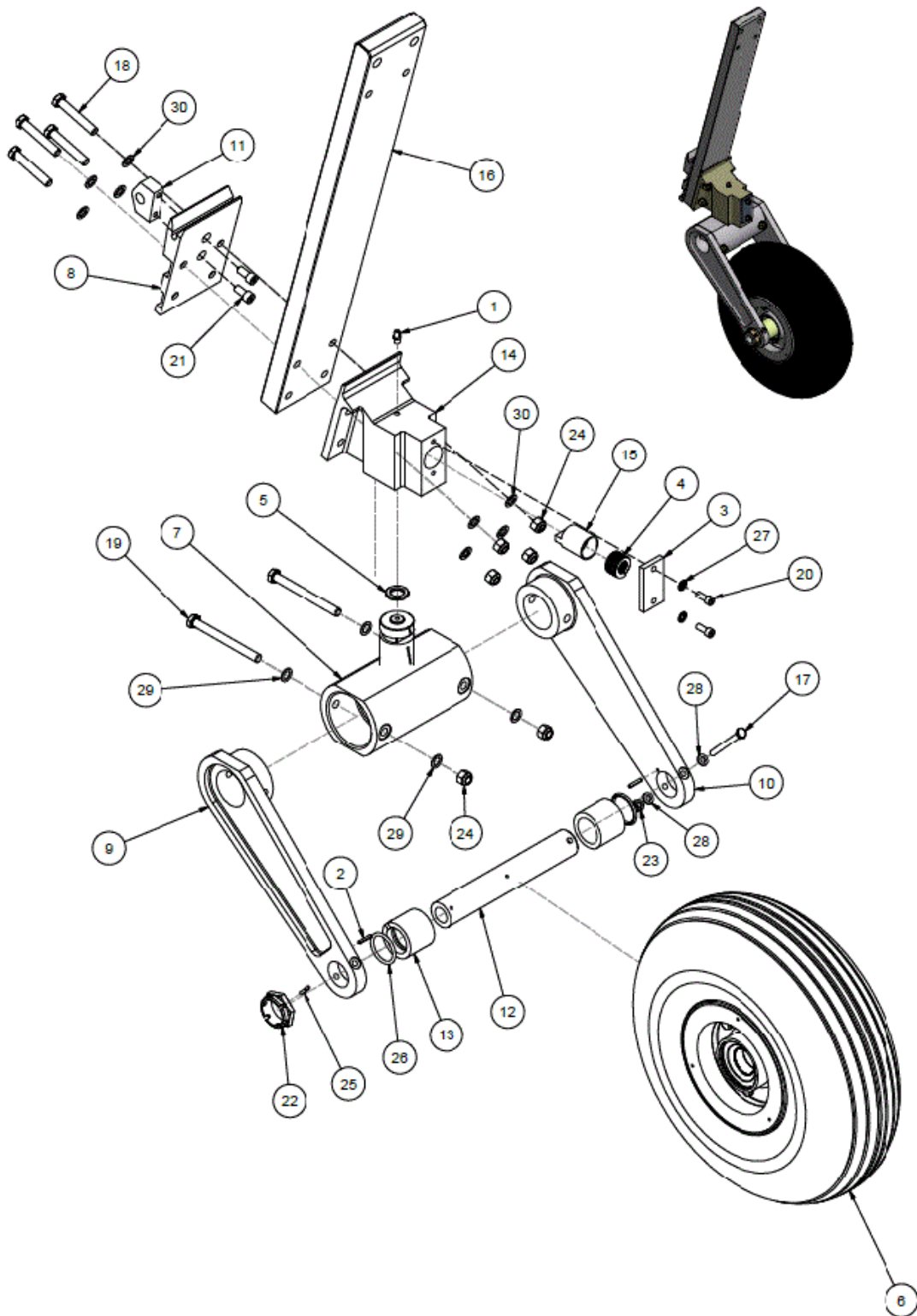
PARTS MANUAL FOR BONDED
WIPLINE MODEL 6000/6100 FLOATS S/N 61499 AND PRIOR ON PILATUS

ITEM	QTY	PART NO.	PART DESCRIPTION
1	1	1002236	CYL., END CAP
2	1	1002022	CYL. OUTSIDE
3	1	1002639	RAM. ASS'Y.
4	1	6A05181-001	RING CYL. SUPPORT
	1	MS28775-327	O RING, DIA 1.725
5	1	1002235	FLANGE CYL. END
6	8	NAS6203-2	BOLT
7	8	MS35333-39	LOCKWASHER, INTERNAL TOOTH, TO FIT DIA #10
8	8	NAS1149D0363J	WASHER, 0.203 ID, 0.063 THK, ALUMINUM
9	2	1002229	T-SEAL
10	2	MS20822-4D	ELBOW FTG.
11	1	1002229	T-SEAL
12	1	6A05196-001	SLIDE TUBE CAP
13	2	AN6-12A	BOLT, 3/8-24 THREAD, 11/16" GRIP, 1-21/64" LENGTH
14	A/R	NAS1149D0663J	WASHER, 0.39 ID, 0.063 THK, ALUMINUM
15	6	MS21044N6	NUT, LOCKING, REGULAR HEIGHT, 3/8-24 UNF
16	2	AN4-24A	BOLT, 1/4-28 THREAD, 2-1/16" GRIP, 2-17/32" LENGTH
17	A/R	NAS1149D0463J	WASHER, 0.265 ID, 0.063 THK, ALUMINUM
18	4	MS21044N4	NUT, LOCKING, REGULAR HEIGHT, 1/4-28 UNF
19	A/R	6A05158-020	SHIM
20	2	6A05702-008	LOCK PIN
21	1	6A05208-001	FTG., SLIDE TUBE
22	2	6A05193-001	LOCK CATCH
23	1	6A05402-003	SLIDE TUBE
	1	6A05259-002	END, SLIDE TUBE, INSERT
24	1	1002643	CARRIAGE ASS'Y
	2	26DU16	BUSHING (LG.)
	2	08DU08	BUSHING (SM.)
	1	1095K41	GREASE ZERK
25	1	AN3-25A	BOLT, 10-32 THREAD, 2-1/4" GRIP, 2-21/32" LENGTH
26	A/R	NAS1149D0363J	WASHER, 0.203 ID, 0.063 THK, ALUMINUM
27	1	MS21044N3	NUT, LOCKING, REGULAR HEIGHT, 10-32 UNF
28	1	AN6-26A	BOLT, SIZE 3/8-24, LENGTH 1/64 - 2-53/64, GRIP LENGTH 2-3/16
29	A/R	NAS1149D0663J	WASHER, 0.39 ID, 0.063 THK, ALUMINUM
30	1	MS21044N6	NUT, LOCKING, REGULAR HEIGHT, 3/8-24 UNF
31	2	1032 NF X 3/16	SET SCREW
32	2	3A05701-001	MAGNET
33	1	6A05042-001	LOCK, AFT
34	1	6A05041-001	LOCK, FWD
35	2	6A05087-001	SCREW, ADJUSTING, MAIN GEAR LOCK
36	2	AN316-4R	NUT JAM, HEXAGON, 1/4-28 THREAD, RIGHT

PARTS MANUAL FOR BONDED
WIPLINE MODEL 6000/6100 FLOATS S/N 61499 AND PRIOR ON PILATUS

ITEM	QTY	PART NO.	PART DESCRIPTION
37	1	6A05533-001	SPRING LOCK
38	1	6A05158-019	COVER, CARRIAGE
39	4	AN526-832R8	SCREW, WASHER HEAD, 8-32 THREAD, 1/8" GRIP, 1/2" LENGTH
	4	MS35333-38	LOCKWASHER, INTERNAL TOOTH, TO FIT DIA #8
	4	NAS1149DN832J	WASHER, 0.174 ID, 0.032 THK, ALUMINUM
40	2	AN4-24A	BOLT, 1/4-28 THREAD, 2-1/16" GRIP, 2-17/32" LENGTH
41	1	AN6-47A	BOLT, 3/8-24 THREAD, 4-5/16" GRIP, 4-61/64" LENGTH
42	1	6A01201-001	FTG., FWD, SLIDE TUBE
43	1	6A05259-002	END, SLIDE TUBE
44	4	AN5-6A	BOLT, 5/16-24, 0.3125 GRIP, UNDRILLED, STEEL
	A/R	NAS1149D0563J	WASHER, 0.328 ID, 0.063 THK, ALUMINUM
	4	MS21044N5	NUT, LOCKING, REGULAR HEIGHT, 5/16-24 UNF
45	2	AN6-7A	BOLT, 3/8-24 THREAD, 5/16" GRIP, 61/64" LENGTH
	A/R	NAS1149D0663J	WASHER, 0.39 ID, 0.063 THK, ALUMINUM
	2	MS21044N6	NUT, LOCKING, REGULAR HEIGHT, 3/8-24 UNF
46	2	AN5H10A	BOLT, 5/16-24 THREAD, 9/16" GRIP, 1-3/32" LENGTH
	A/R	NAS1149D0563J	WASHER, 0.328 ID, 0.063 THK, ALUMINUM
47	1	AN4-14A	BOLT, 1/4-28, 1.0625 GRIP, UNDRILLED, STEEL
	A/R	NAS1149D0463J	WASHER, 0.265 ID, 0.063 THK, ALUMINUM
	1	MS21044N4	NUT, LOCKING, REGULAR HEIGHT, 1/4-28 UNF
48	2	1002231	T-SEAL
49	1	6A05580-004	WIPER, MAIN, FELT
50	1	8880410	WIPER, NYLON

NOSE FORK AND PIVOT ASSEMBLY, LOWER END



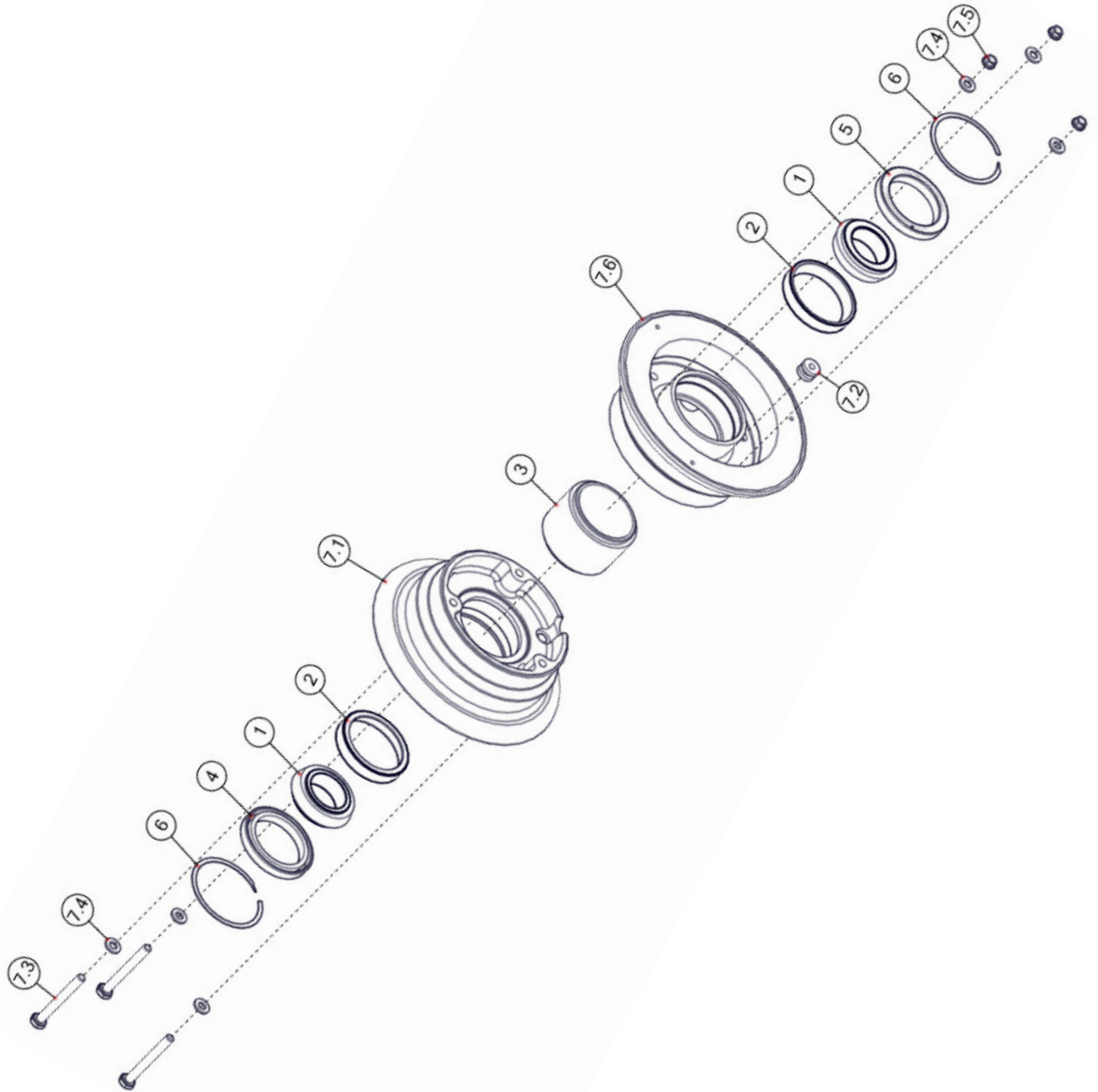
(Newer style wheel recognized by the smooth, machined inner surface)
(Older style wheel recognized by the raised interior segments)

PARTS MANUAL FOR BONDED
WIPLINE MODEL 6000/6100 FLOATS S/N 61499 AND PRIOR ON PILATUS

ITEM	QTY	PART NO.	PART DESCRIPTION
-	1	6A06000-011	NOSE FORK AND PIVOT ASSY
1	2	1095K41	COMMON GREASEZERK
2	2	215-125-0750	PIN, ROLL, 1/8 X 3/4, SPRING
3	1	3A06037-001	CAP - PIVOT BLOCK
4	1	3A06525-002	SPRING
5	1	3A06602-001	THRUST WASHER
6	1	6A06000-005	NOSE WHEEL ASSY
	1	1003233	ASSEMBLY NOSE WHEEL WITHOUT TIRE
	1	AA1D4*	TIRE, 5.00 X 5 - 6, TYPE 3, NOSE 6000
	1	XA1AC*	TUBE, 5.00 X 5, NOSE 6100
7	1	6A06000-006	YOKE ASSY
8	1	6A06196-002	PLATE, BEARING, LOWER, NOSE SPRING
9	1	6A06199-003	LEG, NOSE WHEEL FORK, LEFT
10	1	6A06199-004	LEG, NOSE WHEEL FORK, RIGHT
11	1	6A06202-001	BLOCK, ATTACH, TOWING
12	1	6A06265-001	AXLE - NOSE WHEEL
13	2	6A06268-002	SPACER
14	1	6A06312-001	PIVOT BLOCK, NOSE GEAR
15	1	6A06512-002	RETAINER, NOSE GEAR PIVOT
16	1	6A06625-001	SPRING, NOSE GEAR
17	1	AN4-25A	BOLT, 1/4-28 THREAD, 2-3/16" GRIP, 2-21/32 LNTH
18	4	AN6-21A	BOLT, 3/8-24 THREAD, 1-9/16" GRIP, 2-13/64 LNTH
19	2	AN6-37A	BOLT, 3/8-24 THREAD, 3-5/16" GRIP, 3-61/64 LNTH
20	2	MS16997-60	SCREW, CAP, SOCKET HEAD, 1/4-20X1.500, STEEL
21	2	MS16997-77	SCREW, CAP, SOCKET HEAD, 5/16-16X.625, STEEL
22	1	MS21025-20	NUT, AXLE
23	1	MS21044N4	NUT, HEX LOCKING NYLON INSERT STEEL, 1/4-28
24	6	MS21044N6	NUT, LOCKING, REGULAR HEIGHT, 3/8-24 UNF
25	1	MS24665-349	COTTER PIN
26	2	MS28775-218	O RING, DIA 1.234
27	2	MS35333-40	LOCKWASHER, INTERNAL TOOTH, TO FIT DIA 1/4"
28	2	NAS1149F0463P	WASHER, 0.265 ID, 0.063 THK, STEEL
29	4	NAS1149F0632P	WASHER, 0.39 ID, 0.032 THK, STEEL
30	8	NAS1149F0663P	WASHER, 0.39 ID, 0.063 THK, STEEL

* Any alternate tire (tube type) which is TSO-approved, matches the listed tire's dimensions, and meets its speed/load/ply ratings may be used. Equivalent tubes may also be used.

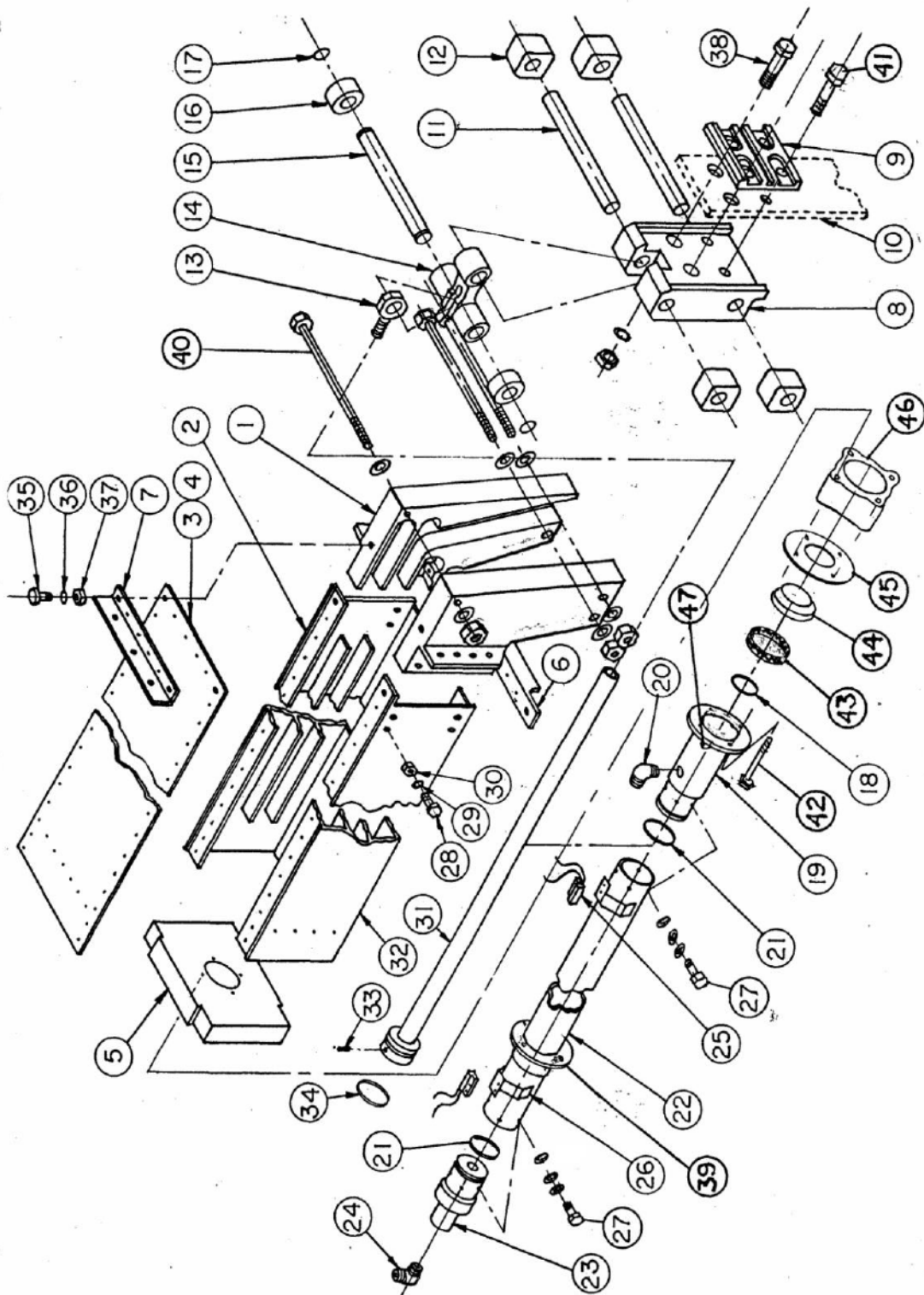
NOSE WHEEL ASSEMBLY WITHOUT TIRE



PARTS MANUAL FOR BONDED
WIPLINE MODEL 6000/6100 FLOATS S/N 61499 AND PRIOR ON PILATUS

ITEM	QTY	PART NO.	PART DESCRIPTION
-	1	1003233	ASSEMBLY, NOSE WHEEL WITHOUT TIRE
1	2	08125	BEARING, STL, TIMKEN, 40-87H
2	2	08231	CUP, BEARING, TIMKEN, 40-87H
3	1	1003232	RETAINER, GREASE, NOSE WHEEL
4	1	1003547	SEAL, BEARING, WHEEL, INBOARD
5	1	1003548	SEAL, NOSE WHEEL, OUTBOARD
6	2	155-00200	SNAP RING
7	1	40-87H	WHEEL ASSEMBLY
7.1	1	161-04101	WHEEL HALF ASSEMBLY, INNER
7.2	1	217-00100	GROMMET
7.3	3	AN4-22A	BOLT, 1/4-28, 1.8125 GRIP, UNDRILLED, STEEL
7.4	6	NAS1149F0463P	WASHER, 0.265 ID, 0.063 THK, STEEL
7.5	3	NAS21042-4	NUT
7.6	1	162-03901	WHEEL HALF ASSEMBLY, OUTER

NOSE GEAR RETRACTION ASSEMBLY, UPPER END (O-RINGS INSTALLED) OLD VERSION



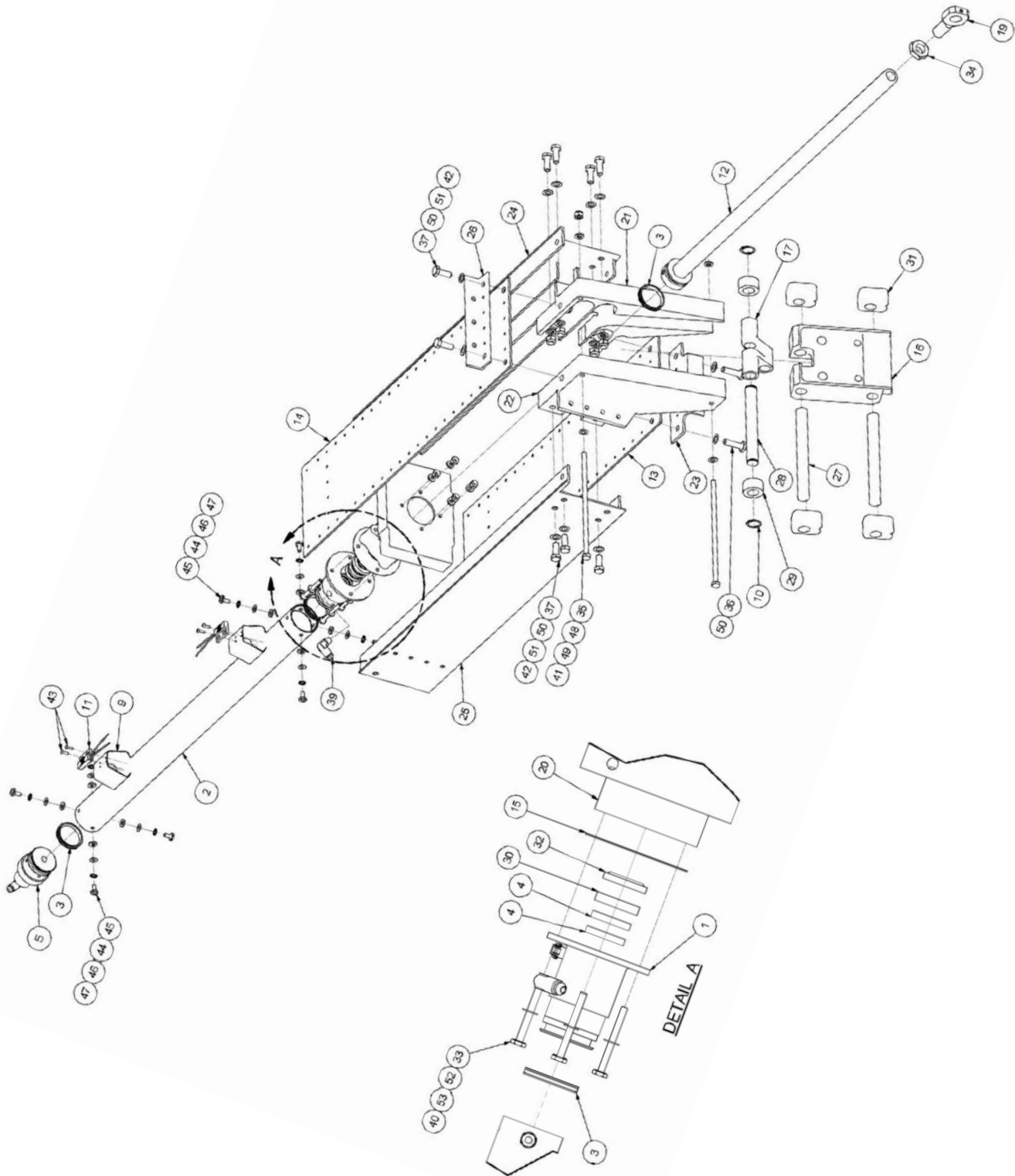
PARTS MANUAL FOR BONDED
WIPLINE MODEL 6000/6100 FLOATS S/N 61499 AND PRIOR ON PILATUS

ITEM	QTY	PART NO.	PART DESCRIPTION
-	1	6A07000-004	NOSE GEAR, RETRACTION SYSTEM
1	1	6A07337-001	END, NOSE GEAR TRACK, LT.
	1	6A07337-002	END, NOSE GEAR TRACK, RT.
2	1	6A07364-001	TRACK, SIDE NOSE GEAR BOX, LT.
	1	6A07364-002	TRACK, SIDE NOSE GEAR BOX, RT.
3	1	6A07156-023	NOSE BOX, COVER, TOP
4	1	6A07156-022	NOSE BOX, COVER, BTM.
5	1	6A07210-001	END CAP, NOSE BOX
6	1	6A07357-036	ANGLE, NOSE BOX, BTM.
7	1	6A07427-003	ANGLE, NOSE BOX, TOP
8	1	6A07199-002	TROLLEY, NOSE GEAR
9	1	6A07184-001	PLATE, BEARING
10	1	6A06625-001	SPRING, NOSE
11	2	6A07534-001	AXLE, TROLLEY
12	4	6A07603-001	BLOCK, TROLLEY
13	1	6A07263-001	ROD END, NOSE GEAR RAM
14	1	6A07204-001	LINK, TROLLEY, NOSE GEAR
15	1	6A07534-002	AXLE, LINK
16	2	6A07544-001	ROLLER, TROLLEY BEARING
17	2	5100-62H	SNAP RING
18	1	MS28775-316	O RING, DIA 0.875
19	1	6A07264-002	FLANGE, NOSE GEAR CYL.
20	1	MS20822-4D	ELBOW
21	1	MS28775-220	O RING, DIA 1.359
22	1	6A07116-002	CYL., NOSE GEAR RAM (OLD STYLE)
23	1	6A05268-001	END CAP
24	1	MS20822-4D	ELBOW
25	2	5801	SWITCH, PROXIMITY
	4	MS35206-215	SCREW, PAN HEAD, STL. CAD 2, 4-40, 3/8"
26	2	3A07005-178	MOUNT SWITCH
27	8	NAS6203-2	BOLT
	8	NAS1149D0363J	WASHER, 0.203 ID, 0.063 THK, ALUMINUM
	8	NAS1149D0316J	WASHER, 0.203 ID, 0.016 THK, ALUMINUM
	8	MS35333-39	LOCKWASHER, INTERNAL TOOTH, TO FIT DIA #10
28	10	AN5-7A	BOLT, 5/16-24 THREAD, 7/16" GRIP, 31/32" LENGTH
29	A/R	NAS1149D0563J	WASHER, 0.328 ID, 0.063 THK, ALUMINUM
	A/R	NAS1149D0516J	WASHER, 0.328 ID, 0.016 THK, ALUMINUM
30	8	MS21044N5	NUT, LOCKING, REGULAR HEIGHT, 5/16-24 UNF
31	1	6A07000-008	ASS'Y RAM
32	1	6A07364-001	TRACK, SIDE NOSE GEAR BOX, LT.
	1	6A07364-002	TRACK, SIDE NOSE GEAR BOX, RT.

PARTS MANUAL FOR BONDED
WIPLINE MODEL 6000/6100 FLOATS S/N 61499 AND PRIOR ON PILATUS

ITEM	QTY	PART NO.	PART DESCRIPTION
33	1	3A05701-001	MAGNET
34	1	MS28775-219	O RING, DIA 1.296
35	2	AN5-10A	BOLT, 5/16-24 THREAD, 9/16" GRIP, 1-3/32" LENGTH
36	A/R	NAS1149D0516J	WASHER, 0.328 ID, 0.016 THK, ALUMINUM
	A/R	NAS1149D0563J	WASHER, 0.328 ID, 0.063 THK, ALUMINUM
37	2	MS21044N5	NUT, LOCKING, REGULAR HEIGHT, 5/16-24 UNF
38	2	AN8-26A	BOLT, 1/2-20, 2.0625 GRIP, UNDRILLED, STEEL
	A/R	NAS1149F0763P	WASHER, 0.453 ID, 0.063 THK, STEEL
	2	MS21044N8	NUT, LOCKING, REGULAR HEIGHT, 1/2-20 UNF
39	1	6A05181-001	SUPPORT RING, CYL.
40	2	AN4-65A	BOLT, 1/4-28, 6.1875 GRIP, UNDRILLED, STEEL
	A/R	NAS1149F0463P	WASHER, 0.265 ID, 0.063 THK, STEEL
	2	MS21044N4	NUT, LOCKING, REGULAR HEIGHT, 1/4-28 UNF
41	2	AN6-24A	BOLT, 3/8-24, 1.9375 GRIP, UNDRILLED, STEEL
	A/R	NAS1149F0663P	WASHER, 0.39 ID, 0.063 THK, STEEL
	2	MS21044N6	NUT, LOCKING, REGULAR HEIGHT, 3/8-24 UNF
42	4	AN3-20A	BOLT, 10-32, 1.625 GRIP, UNDRILLED, STEEL
	4	NAS1149F0363P	WASHER, 0.203 ID, 0.063 THK, STEEL
	4	MS21044N3	NUT, LOCKING, REGULAR HEIGHT, 10-32 UNF
43	1	6A07580-001	WIPER, FELT
44	1	8880510	WIPER, NYLON
45	1	6A07158-129	PLATE
46	1	6A07264-003	SPACER
47	1	1205K12	OILER, FILLER

NOSE GEAR RETRACTION ASSEMBLY, UPPER END (T-SEALS INSTALLED) NEW VERSION



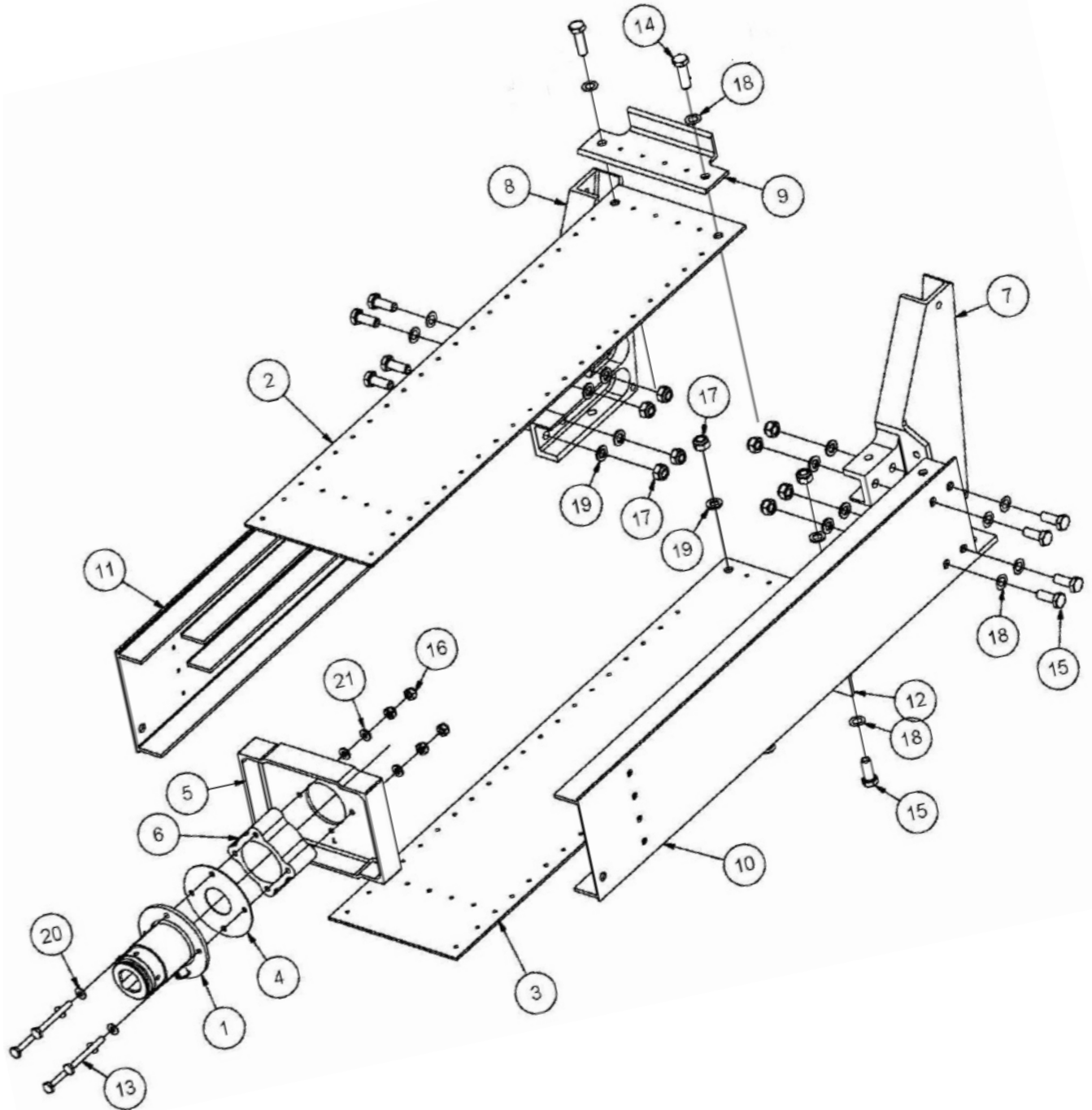
PARTS MANUAL FOR BONDED
WIPLINE MODEL 6000/6100 FLOATS S/N 61499 AND PRIOR ON PILATUS

ITEM	QTY	PART NO.	PART DESCRIPTION
1	1	1002013	FLANGE - CYLINDER NOSE GEAR RAM
2	1	1002024	CYLINDER, RAM, NOSE, 6000
3	3	1002229	PISTON, T-SEAL
4	2	1002230	ROD, T-SEAL
5	1	1002236	ASSEMBLY, CYLINDER END CAP
6	1	1205K12	OILER
7	1	13A07279-001	PLUG - RAM NOSE GEAR
8	1	3A05701-001	MAGNET, HOOK LATCH, MAIN GEAR
9	2	3A07005-178	CLIP, SWITCH, NOSE & MAIN
10	2	5100-62H	SNAP RING
11	2	5801	SWITCH, SENSOR
12	1	6A07000-008	ASSEMBLY, RAM, NOSE GEAR
13	1	6A07156-022	SKIN - NOSE BOX, BOTTOM, 6100 FLOATS
14	1	6A07156-023	SKIN - NOSE BOX, BOTTOM, 6100 FLOATS
15	1	6A07158-129	PLATE - FLANGE
16	1	6A07199-002	TROLLY, NOSE GEAR
17	1	6A07204-001	LINK, NOSE GEAR
18	1	6A07210-001	CAP - END, NOSE BOX
19	1	6A07263-001	ROD END - NOSE GEAR RAM
20	1	6A07264-003	SPACER - FLANGE CYLINDER NOSE GEAR RAM
21	1	6A07337-001	TRACK, END, NOSE GEAR, LH
22	1	6A07337-002	TRACK, END, NOSE GEAR, RH
23	1	6A07357-036	ANGLE, NOSE BOX, BOTTOM
24	1	6A07364-001	SIDE, TRACK, NOSE GEAR, LH
25	1	6A07364-002	SIDE, TRACK, NOSE GEAR, RH
26	1	6A07427-003	ANGLE, NOSE BOX, TOP
27	2	6A07534-001	AXLE - TROLLEY, NOSE GEAR
28	1	6A07534-002	AXLE - LINK, NOSE GEAR
29	2	6A07544-001	ROLLER - TRACK, NOSE GEAR
30	1	6A07580-005	WIPER, NOSE GEAR ACTR
31	4	6A07603-001	BLOCK, SLIDE, TROLLEY, NOSE GEAR
32	1	8880500U	WIPER
33	4	AN3-17A	BOLT, 10-32, 1.5 GRIP, UNDRILLED, STEEL
34	1	AN316-10R	NUT JAM, HEXAGON, 5/8-18 THREAD, RIGHT
35	2	AN4-65A	BOLT, 1/4-28, 6.1875 GRIP, UNDRILLED, STEEL
36	2	AN5-10A	BOLT, 5/16-24 THREAD, 9/16" GRIP, 1-3/32" LENGTH
37	10	AN5-6A	BOLT, 5/16-24, 0.3125 GRIP, UNDRILLED, STEEL
38	1	AN6227-9	O-RING
39	1	MS20822-4D	ELBOW
40	4	MS21044N3	NUT, LOCKING, REGULAR HEIGHT, 10-32 UNF
41	2	MS21044N4	NUT, LOCKING, REGULAR HEIGHT, 1/4-28 UNF

PARTS MANUAL FOR BONDED
WIPLINE MODEL 6000/6100 FLOATS S/N 61499 AND PRIOR ON PILATUS

ITEM	QTY	PART NO.	PART DESCRIPTION
42	10	MS21044N5	NUT, LOCKING, REGULAR HEIGHT, 5/16-24 UNF
43	4	MS35206-215	SCREW, PAN HEAD, STL. CAD 2, 4-40, 3/8"
44	8	MS35333-39	LOCKWASHER, INTERNAL TOOTH, TO FIT DIA #10
45	8	NAS1103-2	BOLT
46	8	NAS1149D0316J	WASHER, 0.203 ID, 0.016 THK, ALUMINUM
47	8	NAS1149D0363J	WASHER, 0.203 ID, 0.063 THK, ALUMINUM
48	2	NAS1149D0416J	WASHER, 0.265 ID, 0.016 THK, ALUMINUM
49	2	NAS1149D0463J	WASHER, 0.265 ID, 0.063 THK, ALUMINUM
50	12	NAS1149D0516J	WASHER, 0.328 ID, 0.016 THK, ALUMINUM
51	10	NAS1149D0563J	WASHER, 0.328 ID, 0.063 THK, ALUMINUM
52	4	NAS1149F0332P	WASHER, 0.203 ID, 0.032 THK, STEEL
53	4	NAS1149F0363P	WASHER, 0.203 ID, 0.063 THK, STEEL

NOSE BOX ASSEMBLY (WITHOUT ACTUATOR)



PARTS MANUAL FOR BONDED
WIPLINE MODEL 6000/6100 FLOATS S/N 61499 AND PRIOR ON PILATUS

ITEM	QTY	PART NO.	PART DESCRIPTION
1	1	1002237	CYLINDER FLANGE ASS'Y
2	1	6A07156-022	SKIN- NOSE BOX, BOTTOM, 6100 FLOATS
3	1	6A07156-023	SKIN- NOSE BOX, BOTTOM, 6100 FLOATS
4	1	6A07158-129	PLATE - FLANGE
5	1	6A07210-001	CAP - END, NOSE BOX
6	1	6A07264-003	SPACER - FLANGE CYLINDER NOSE GEAR RAM
7	1	6A07337-001	TRACK, END, NOSE GEAR, LH
8	1	6A07337-002	TRACK, END, NOSE GEAR, RH
9	1	6A07357-036	ANGLE, NOSE BOX, BOTTOM
10	1	6A07364-001	SIDE, TRACK, NOSE GEAR, LH
11	1	6A07364-002	SIDE, TRACK, NOSE GEAR, RH
12	1	6A07427-003	ANGLE, NOSE BOX, TOP
13	4	AN3-17A	BOLT, 10-32, 1.5 GRIP, UNDRILLED, STEEL
14	2	AN5-10A	BOLT, 5/16-24 THREAD, 9/16" GRIP, 1-3/32" LENGTH
15	10	AN5-6A	BOLT, 5/16-24, 0.3125 GRIP, UNDRILLED, STEEL
16	4	MS21044N3	NUT, LOCKING, REGULAR HEIGHT, 10-32 UNF
17	10	MS21044N5	NUT, LOCKING, REGULAR HEIGHT, 5/16-24 UNF
18	12	NAS1149D0516J	WASHER, 0.328 ID, 0.016 THK, ALUMINUM
19	10	NAS1149D0563J	WASHER, 0.328 ID, 0.063 THK, ALUMINUM
20	4	NAS1149F0332P	WASHER, 0.203 ID, 0.032 THK, STEEL
21	4	NAS1149F0363P	WASHER, 0.203 ID, 0.063 THK, STEEL

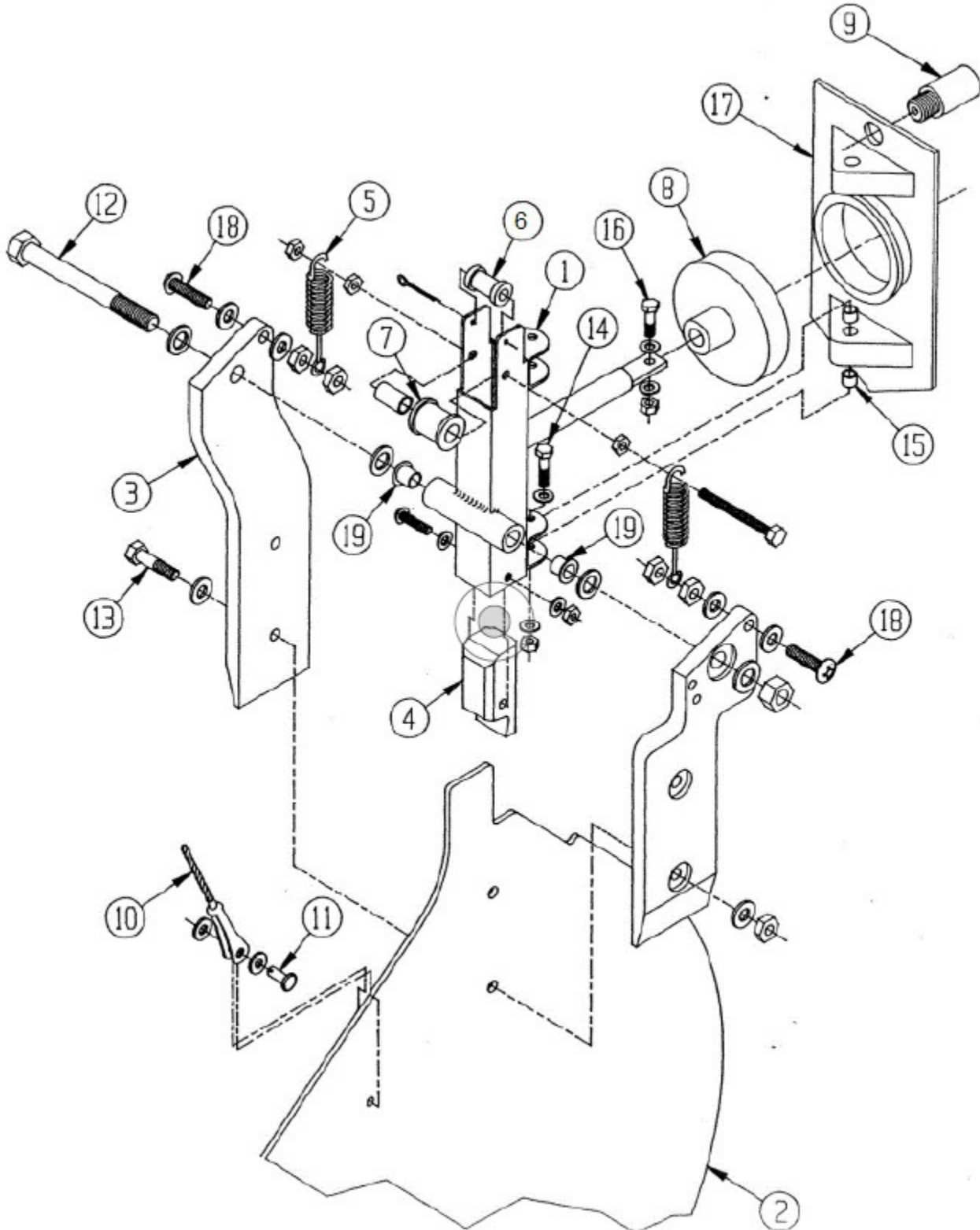
SECTION 10

WATER RUDDER, STEERING, & RETRACT CABLES

CONTENTS

WATER RUDDER BLADE INSTALLATION.....	98
WATER RUDDER STEERING AND RETRACT SCHEMATIC.....	100

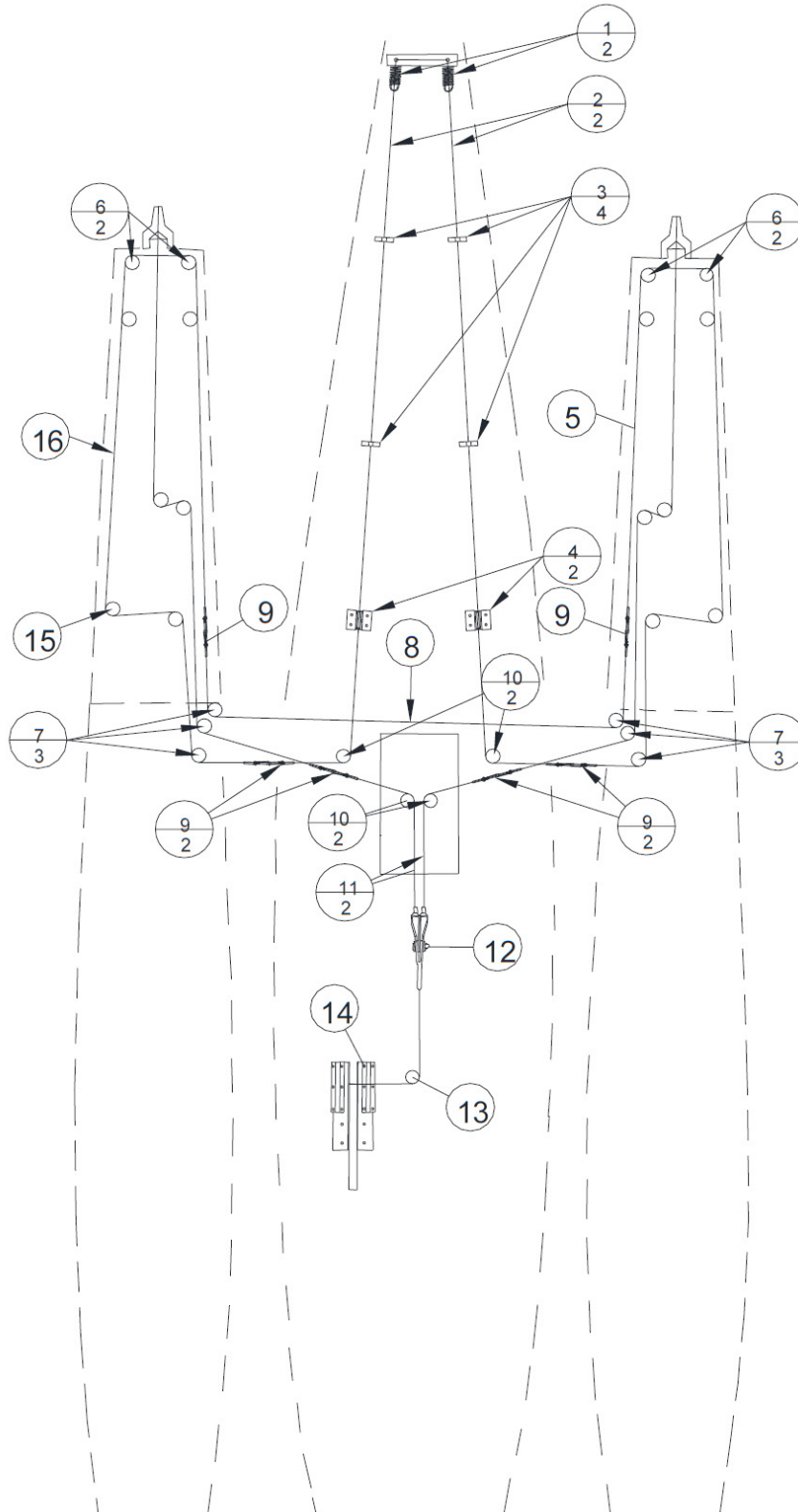
WATER RUDDER BLADE INSTALLATION



PARTS MANUAL FOR BONDED
WIPLINE MODEL 6000/6100 FLOATS S/N 61499 AND PRIOR ON PILATUS

ITEM	QTY	PART NO.	PART DESCRIPTION
1	1	8A08000-098	ASSY., WATER RUDDER POST
2	1	6A08001-005	BLADE, WATER RUDDER
3	1	4A08197-009	ARM, WATER RUDDER, LT.
	1	4A08197-008	ARM, WATER RUDDER, RT.
4	1	6A08183-005	STOP, WATER RUDDER
	1	AN3-12A	BOLT, 10-32, 0.875 GRIP, UNDRILLED, STEEL
	1	NAS1149D0316J	WASHER, 0.203 ID, 0.016 THK, ALUMINUM
	1	MS21083N3	NUT, LOCKING, LOW HEIGHT, 10-32 UNF
5	2	3A08525-001	SPRING, RETRACT
6	1	6A08601-002	ROLLER, RUDDER POST CABLE
	1	MS24665-306	COTTER PIN
7	2	3A08606-001	ROLLER, RETRACT CABLE, LWR.
	2	3A08502-001	BUSHING
	1	1032 X 2 INCH SS	BOLT, SSTL MACHINE HEX HEAD, 3/16" DIA, 2" LENGTH
	4	NAS697A3W	NUT
	1	10/32 X 1 1/2	BOLT 10/32 X 1 1/2 (UPPER ROLLER)
8	1	3A08650-001	BOOT, WATER RUDDER
9	1	3A08605-001	GUIDE, WATER RUDDER CABLE
10	1	6A08000-013	ASS'Y CABLE-RETRACT
11	1	MS20392-2C11	CLEVIS PIN
	1	NAS1149D0363J	WASHER, 0.203 ID, 0.063 THK, ALUMINUM
	1	MS24665-0151	COTTER PIN
12	1	AN6C34A	BOLT, 3/8-24, 2.9375 GRIP, UNDRILLED, STEEL
	4	NAS1149D0663J	WASHER, 0.39 ID, 0.063 THK, ALUMINUM
	1	MS21044N6	NUT, LOCKING, REGULAR HEIGHT, 3/8-24 UNF
13	2	AN4-10A	BOLT, 1/4-28, 0.5625 GRIP, UNDRILLED, STEEL
	4	NAS1149D0463J	WASHER, 0.265 ID, 0.063 THK, ALUMINUM
	2	MS21044N6	NUT, LOCKING, REGULAR HEIGHT, 3/8-24 UNF
14	2	AN3C10A	BOLT, 10-32, 0.625 GRIP, UNDRILLED, STAINLESS STEEL
	2	NAS1149D0363J	WASHER, 0.203 ID, 0.063 THK, ALUMINUM
	2	NAS697A3W	NUT
15	4	03DU04	BEARING (TEFLON-STEEL) SPECIFY
	4	4L4F	BEARING NYLINER (PLASIC) SPECIFY (OLD STYLE)
16	1	AN3-6A	BOLT, 10-32, 0.375 GRIP, UNDRILLED, STEEL
	1	NAS1149D0363J	WASHER, 0.203 ID, 0.063 THK, ALUMINUM
	1	MS21044N3	NUT, LOCKING, REGULAR HEIGHT, 10-32 UNF
17	1	3A01437-001	CASTING, WATER RUDDER
18	2	MS35207-283	SCREW, PAN HEAD, 1/4-28 THREAD, 1" LENGTH
	A/R	NAS1149F0463P	WASHER, 0.265 ID, 0.063 THK, STEEL
	2	NAS679A4W	NUT, SELF LOCKING, LOW HEIGHT, 1/4-28 THREAD
19	2	6L11F	BEARING-NYLINER (PLASTIC) SPECIFY (OLD STYLE)
	2	06DU08	BEARING (TEFLON-STEEL) SPECIFY

WATER RUDDER STEERING AND RETRACT SCHEMATIC



PARTS MANUAL FOR BONDED
WIPLINE MODEL 6000/6100 FLOATS S/N 61499 AND PRIOR ON PILATUS

ITEM	QTY	PART NO.	PART DESCRIPTION
1	2	0742016-1	SPRING
2	2	6P08000-105	ASS'Y. CABLE, STEERING
3	4	6P08153-005	GUIDE, PULLEY
4	2	6P08000-101	ASS'Y, PULLEY BRACKET
	8	AN526-10R10	SCREW
	16	NAS1149F0363P	WASHER, 0.203 ID, 0.063 THK, STEEL
	8	MS21044N3	NUT, LOCKING, REGULAR HEIGHT, 10-32 UNF
5	2	6A08000-011	ASS'Y. CABLE, BALANCE
6	4	6A08000-019	ASS'Y., CABLE AND PULLEY BRACKET
7	1	6A08000-016	ASS'Y., PULLEY BRACKET, GUNWALL, RIGHT
	1	6A08355-002	BRACKET, PULLEY FRONT
	1	6A08365-002	BRACKET, PULLEY CENTER
	1	6A08336-002	BRACKET, PULLEY REAR.
	1	6A08209-002	BAR, MOUNTING
	6	MS20219-2	PULLEY
	1	6A08000-017	ASS'Y., PULLEY BRACKET, GUNWALL, LEFT
	1	6A08355-001	BRACKET, PULLEY FRONT
	1	6A08365-001	BRACKET, PULLEY CENTER
	1	6A08336-001	BRACKET, PULLEY REAR
	1	6A08209-002	BAR, MOUNTING
	6	MS20219-2	PULLEY
8	1	6A08000-008	ASS'Y. CABLE, BALANCE SPREADER BAR.
9	6	AN155-165	TURNBUCKLE
10	4	4A08151-093	ASS'Y, PULLEY
	4	AN4-7A	BOLT, 1/4-28, 0.4375 GRIP, UNDRILLED, STEEL
	4	NAS1149F0463P	WASHER, 0.265 ID, 0.063 THK, STEEL
	4	MS21044N4	NUT, LOCKING, REGULAR HEIGHT, 1/4-28 UNF
	8	AN42-4A	EYEBOLT
	8	NAS1149F0463P	WASHER, 0.265 ID, 0.063 THK, STEEL
	8	MS21044N3	NUT, LOCKING, REGULAR HEIGHT, 10-32 UNF
11	2	6P08000-104	ASS'Y. CABLE
12	1	MS20393-2C19	PIN
	2	NAS1149F0363P	WASHER, 0.203 ID, 0.063 THK, STEEL
	1	MS24665-149	PIN
13	1	3A08151-046	PULLEY BRACKET, WATER RUDDER RETRACT
	4	AN526-10R10	BOLT
	8	NAS1149F0363P	WASHER, 0.203 ID, 0.063 THK, STEEL
	4	MS21044N3	NUT, LOCKING, REGULAR HEIGHT, 10-32 UNF
14	1	6P08000-102	ASS'Y. - BRACKET - WATER RUDDER RETRACT
	6	AN526-10R10	SCREW
	6	AN509-10R16	SCREW

PARTS MANUAL FOR BONDED
WIPLINE MODEL 6000/6100 FLOATS S/N 61499 AND PRIOR ON PILATUS

ITEM	QTY	PART NO.	PART DESCRIPTION
15	12	MS20219-2	PULLEY
16	2	6A08000-012	ASS'Y. CABLE, STEERING (192")

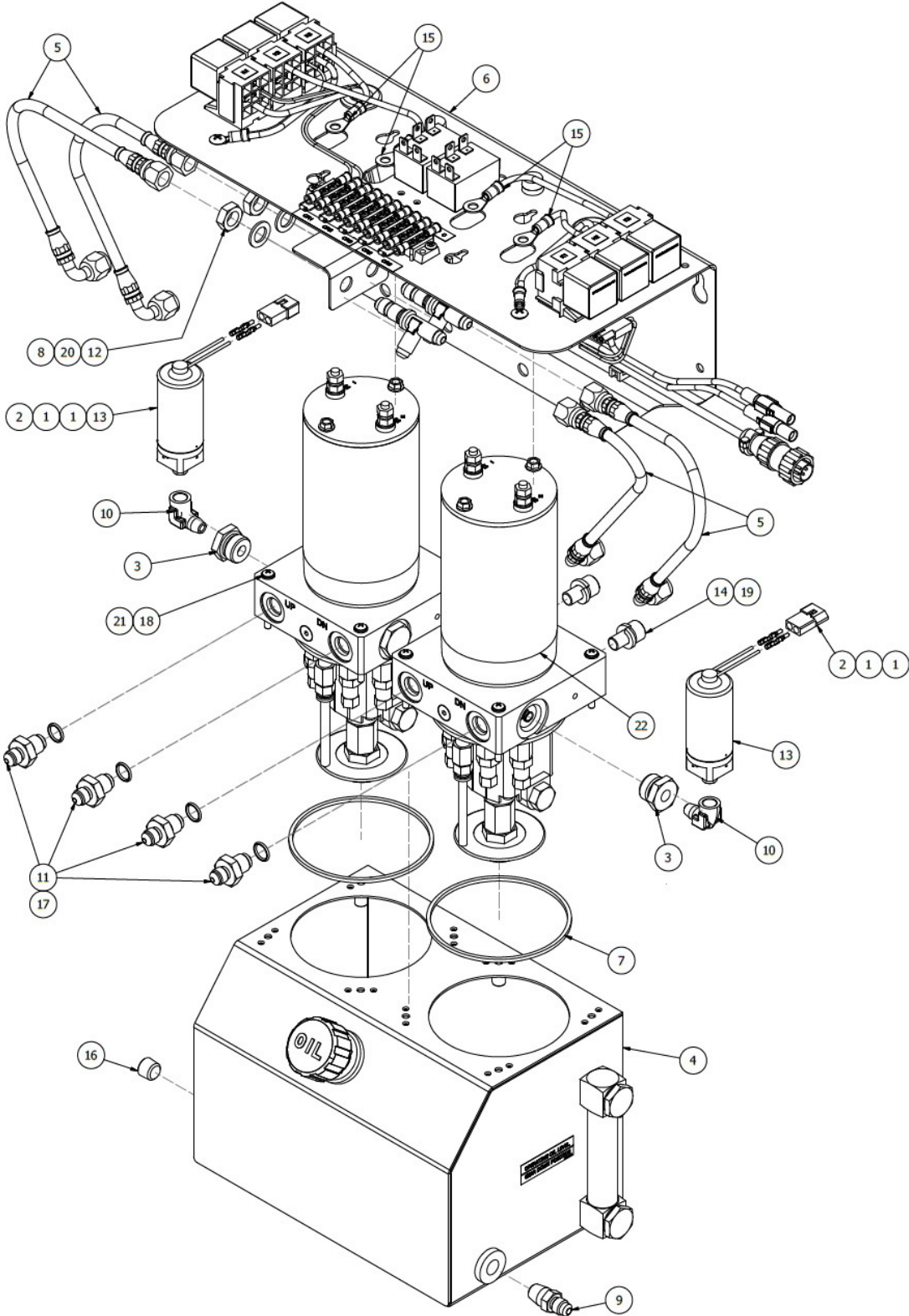
SECTION 11

HYDRAULIC SYSTEM

CONTENTS

BIDIRECTIONAL HYDRAULIC PUMP ASSEMBLY POST SERVICE LETTER 214.....	104
BIDIRECTIONAL HYDRAULIC POWER PACK PLATE MOUNT POST SERVICE LETTER 214.....	106
BIDIRECTIONAL HYDRAULIC PUMP ASSEMBLY PRE SERVICE LETTER 214.....	109
UNIDIRECTIONAL HYDRAULIC PUMP ASSEMBLY POST SERVICE LETTER 214.....	113
UNIDIRECTIONAL HYDRAULIC PUMP ASSEMBLY PRE SERVICE LETTER 214.....	115
HYDRAULIC PUMP OVERVIEW.....	117
HYDRAULIC SYSTEM SCHEMATIC BIDIRECTIONAL PUMP PC-6 POST SERVICE LETTER 214....	119
HYDRAULIC SYSTEM SCHEMATIC PRE SERVICE LETTER 214.....	121
HYDRAULIC BRAKE SCHEMATIC.....	123

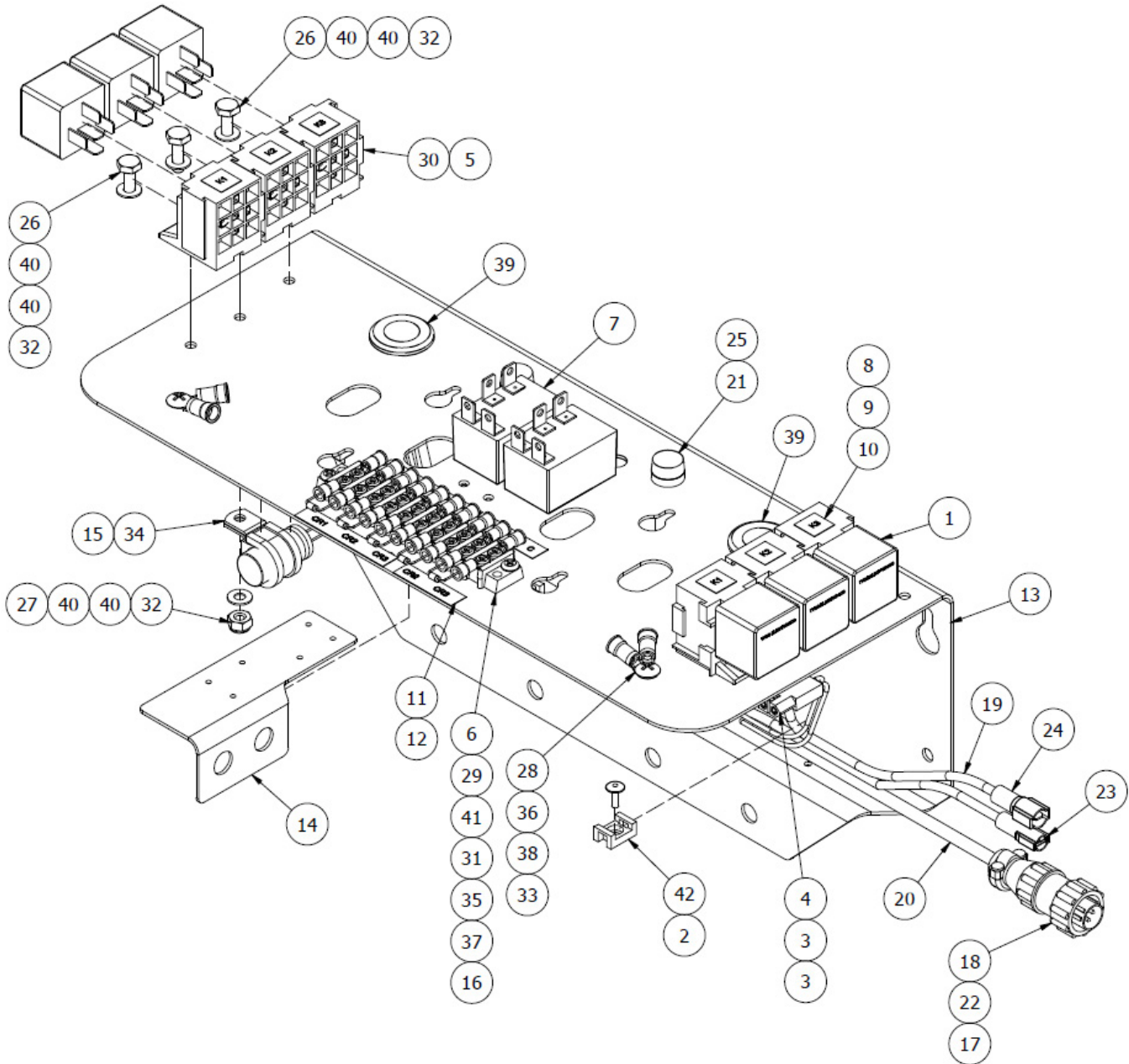
BIDIRECTIONAL HYDRAULIC PUMP ASSEMBLY POST SERVICE LETTER 214



PARTS MANUAL FOR BONDED
WIPLINE MODEL 6000/6100 FLOATS S/N 61499 AND PRIOR ON PILATUS

ITEM	QTY	PART NO.	PART DESCRIPTION
-	1	1011436	ASSEMBLY, HYDRAULIC POWER PACK (REPLACED HYDRAULIC PUMP 1005294)
1	4	02-09-2118	PIN, CRIMP MALE, 1/8" DIA
2	2	03-09-2022	CONNECTOR PLUG, FEMALE
3	2	1011062	ASSEMBLY, PLUG, PRESSURE SWITCH PORT
4	1	1011359	ASSEMBLY, HYDRAULIC PUMP RESERVOIR
5	4	1011361-06	ASSEMBLY, HOSE, PUMP TO TEE
6	1	1011435	ASSEMBLY, PLATE, MOUNT, HYDRAULIC POWER PACK
7	2	4061T199	SQUARE PROFILE, O-RING, 3.5" I.D., .094 THK
8	2	AN804-4D	TEE FITTING
9	1	AN816-4-4D	NIPPLE, FLARED TUBE AND PIPE THREAD
10	2	AN914-1D	ELBOW, 90 DEGREES, INTERNAL EXTERNAL PIPE
11	4	AN919-3D	FITTING, REDUCER
12	2	AN924-4D	JAM NUT
13	2	GPP1250-40	PRESSURE SWITCH
14	4	MS16997-96	SOCKET HEAD CAP SCREW
15	4	MS25036-157	RING TERNMINAL, #10 STUD, 10-12 AWG, YELLOW
16	1	MS27769D3	PLUG, PIPE, COUNTERSINK HEX HEAD
17	4	MS28775-013	"O" RING, HYDRAULIC
18	8	MS35206-252	SCREW, MACHINE, PAN HEAD
19	4	MS35338-46	WASHER, SPLIT
20	2	NAS1149F0763P	WASHER, 0.453 ID, 0.063 THK, STEEL
21	8	NAS1149FN832P	WASHER, 0.174 ID, 0.032 THK, STEEL
22	2	YBZS- D0.63W2T100K/ UVZOT2	HYDRAULIC POWER PACK, 24VDC, .64 PUMP

BIDIRECTIONAL HYDRAULIC POWER PACK PLATE MOUNT ASSEMBLY POST SERVICE LETTER 214



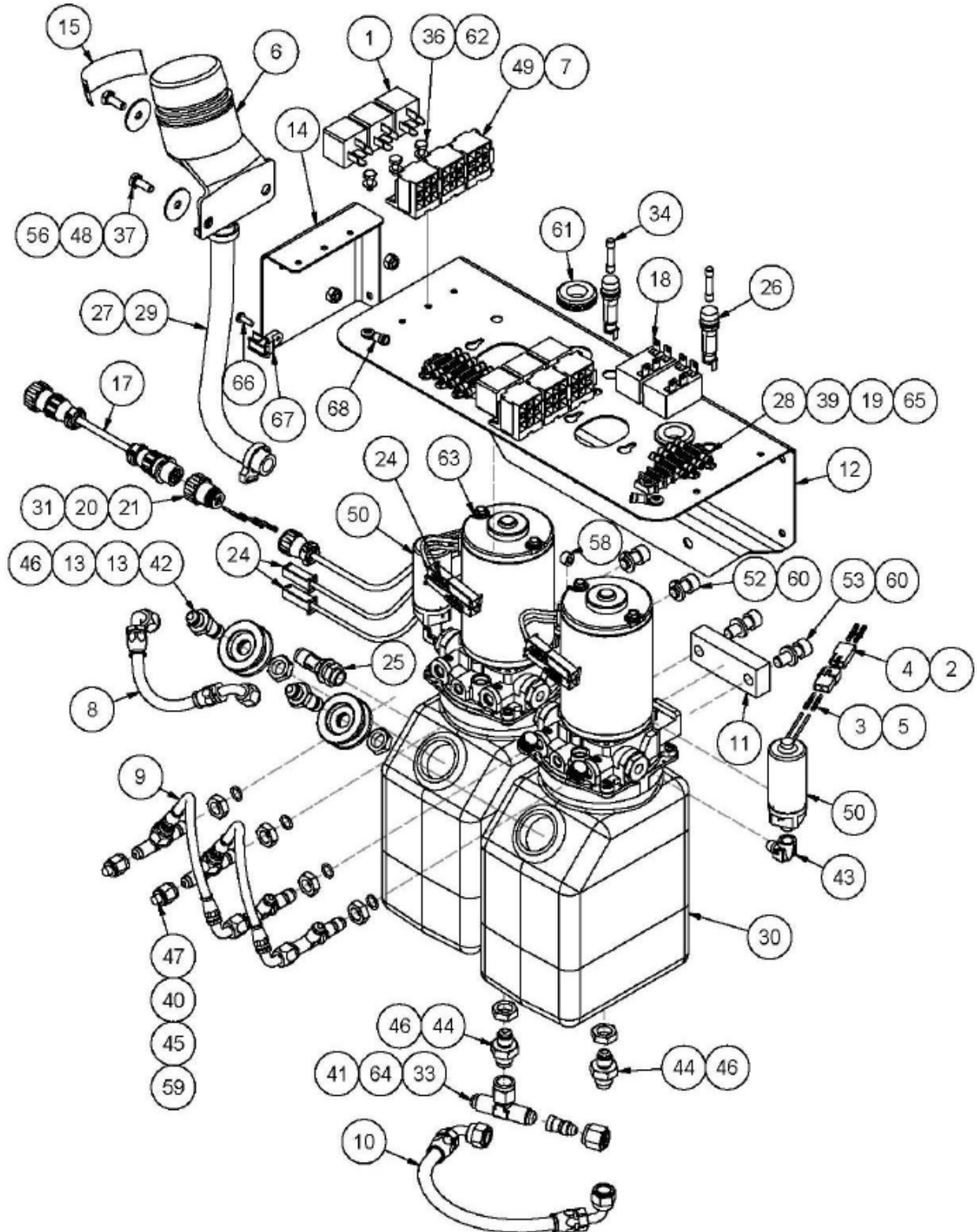
PARTS MANUAL FOR BONDED
WIPLINE MODEL 6000/6100 FLOATS S/N 61499 AND PRIOR ON PILATUS

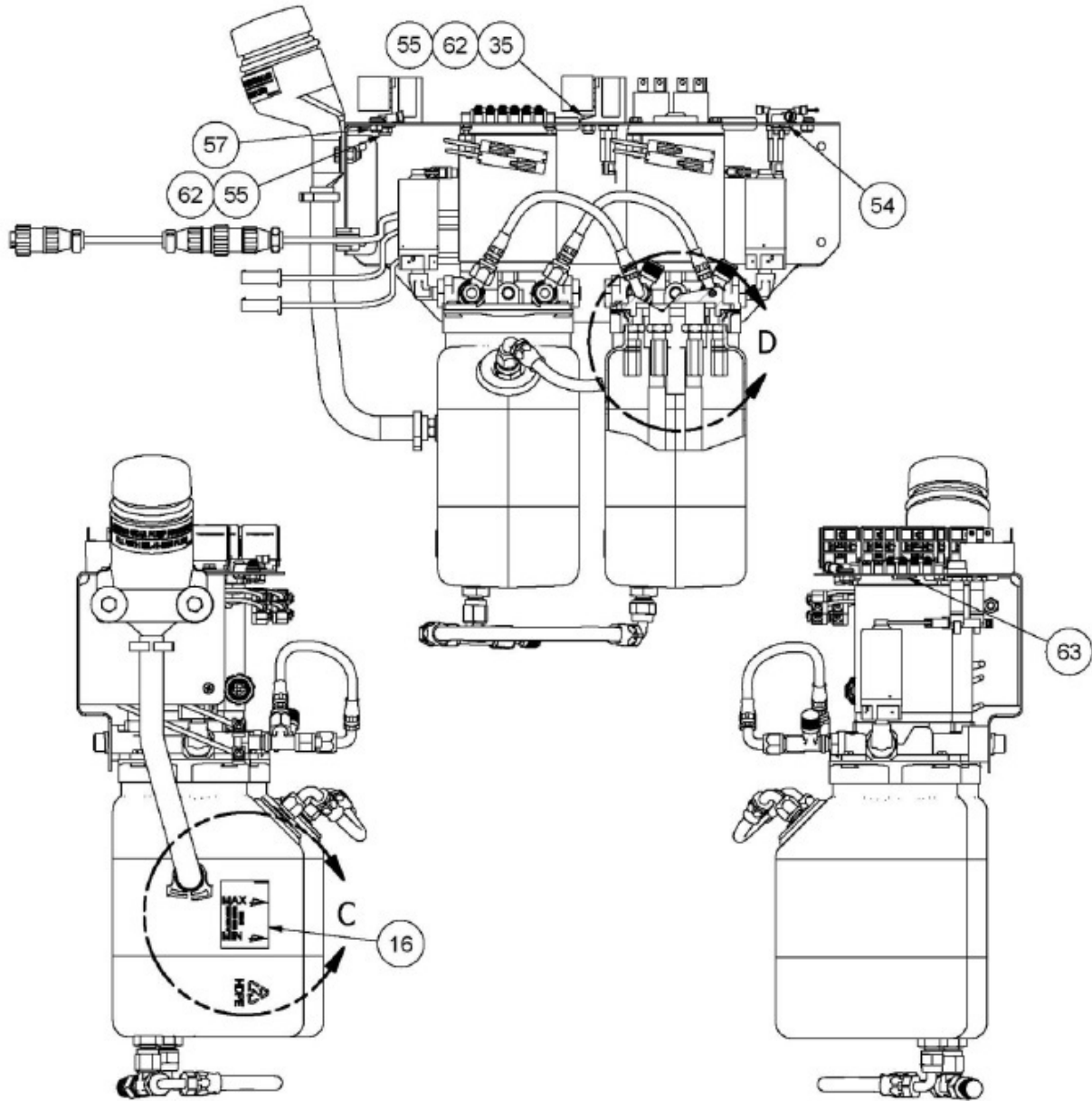
ITEM	QTY	PART NO.	PART DESCRIPTION
-	1	1011435	ASSEMBLY, PLATE, MOUNT, HYDRAULIC POWER PACK
1	6	0-332-209-211	RELAY, 24V, 5 PRONG
2	4	01692-0410	RIVET, POP, 1/8" DIA, 0.031 -0.187 GRIP, LARGE FLANGE
3	4	02-09-1104	PIN, CRIMP FEMALE, 1/8" DIA
4	2	03-09-1022	CONNECTOR PLUG, MALE, 2 CONN.
5	30	1-901-355-917	TERMINAL
6	1	10-140	TERMINAL BLOCK, 10 CONNECTOR
7	1	1005043	TIMER RELAY HARNESS
8	2	1009143-01	PLACARD, K1 INDICATOR
9	2	1009143-02	PLACARD, K2 INDICATOR
10	2	1009143-03	PLACARD, K3 INDICATOR
11	2	1009144-01	PLACARD, CR INDICATOR
12	2	1009144-02	PLACARD, AC INDICATOR
13	1	1011433	PLATE, MOUNT, HYDRAULIC PUMP
14	1	1011434	BRACKET, HYDRAULIC FITTINGS
15	2	1011798	ASSEMBLY, CAPACITOR
16	5	1N4004	DIODE, 2-1/2"
17	1	206062-3	CLAMP, CABLE, CPC SIZE 11
18	1	206429-1	PLUG, MAL, CPC SIZE 1, 4 PIN
19	12 FT	22759-16-12-9	WIRE, 12 AWG, WHITE
20	16 FT	22759-16-20-9	WIRE, 20 AWG, WHITE
21	2	3453LF2A	FUSE HOLDER
22	3	66099-4	PIN, MALE, 1/16 DIA, CRIMP
23	2	73F-250-32-NL	CONNECTOR, FEMALE, 10-12 AWG, FULLY INSULATED
24	2	73M-250-32-NL	CONNECTOR, MALE, 10-12 AWG, FULLY INSULATED
25	2	AGC-1	FUSE, 250V, (S2565-1)
26	4	AN3-4A	BOLT, 10-32, 0.125 GRIP, UNDRILLED, STEEL
27	2	AN3-5A	BOLT, 10-32, 0.25 GRIP, UNDRILLED, STEEL
28	2	AN526-1032R6	SCREW, MACHINE, TRUSS HEAD
29	2	AN526-632R10	SCREW
30	6	BR05-FW	SOCKET, 5 PRONG, PLASTIC
31	2	MS21044N06	NUT, LOCKING, REGULAR HEIGHT, 6-32 UNC
32	6	MS21044N3	NUT, LOCKING, REGULAR HEIGHT, 10-32 UNF
33	2	MS21045-3	NUT, SELF LOCKING
34	2	MS21919WDG10	CLAMP, LOOP, CUSHIONED, 5/8 TUBE OD
35	19	MS25036-102	RING TERMINAL, #6 STUD, 16-22 AWG, RED
36	2	MS25036-103	RING TERMINAL, #10 STUD, 22-16 AWG, RED
37	1	MS25036-106	RING TERMINAL, #6 STUD, 16-14 AWG
38	2	MS25036-112	RING TERMINAL, #10 STUD, 10-12 AWG, YELLOW
39	2	MS35489-17	GROMMET, RUBBER
40	12	NAS1149F0332P	WASHER, 0.203 ID, 0.032 THK, STEEL

PARTS MANUAL FOR BONDED
WIPLINE MODEL 6000/6100 FLOATS S/N 61499 AND PRIOR ON PILATUS

ITEM	QTY	PART NO.	PART DESCRIPTION
41	2	NAS1149FN632P	WASHER
42	4	TM2S6-M	TIE CLIP

BIDIRECTIONAL HYDRAULIC PUMP ASSEMBLY PRE SERVICE LETTER 214





ASSEMBLY, HYDRAULIC PUMP
(LEFT SIDE VIEW)

ASSEMBLY, HYDRAULIC PUMP
(RIGHT SIDE VIEW)

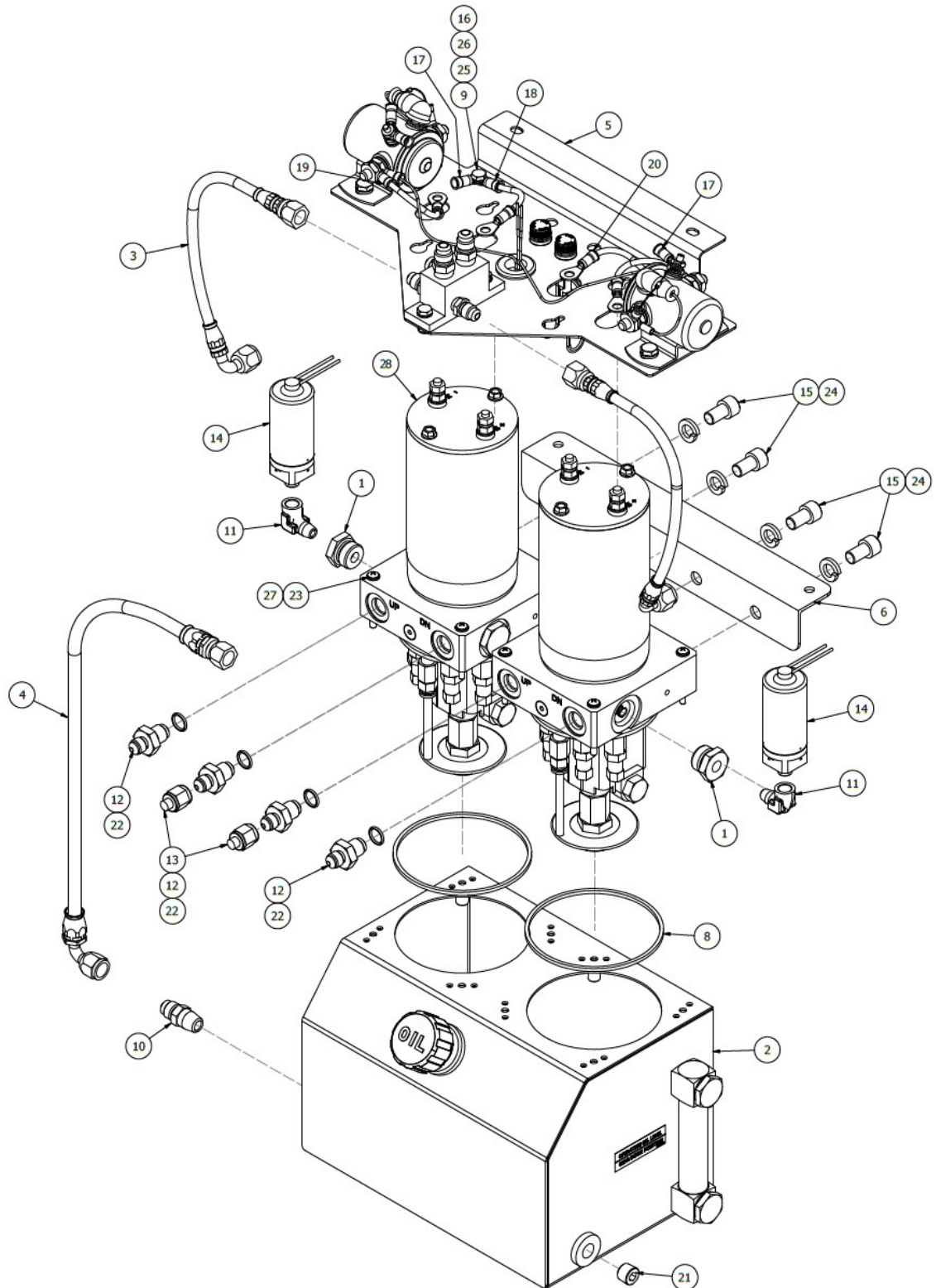
PARTS MANUAL FOR BONDED
WIPLINE MODEL 6000/6100 FLOATS S/N 61499 AND PRIOR ON PILATUS

ITEM	QTY	PART NO.	PART DESCRIPTION
1	6	0-332-209-211	RELAY, 24V, 5 PRONG
2	4	02-09-1104	PIN, CRIMP FEMALE, 1/8" DIA
3	4	02-09-2118	PIN, CRIMP MALE, 1/8" DIA
4	2	03-09-1022	CONNECTOR PLUG, MALE, 2 CONN.
5	2	03-092022	CONNECTOR PLUG, FEMALE
6	1	066023	FILLER SPOUT
7	30	1-901-355-917	TERMINAL
8	1	1004089-16	HYDRAULIC HOSE, TOP
9	2	1004089-17	HYDRAULIC HOSE ASSEMBLY
10	1	1004089-18	HYDRAULIC HOSE
11	1	1004390	SPACER, MOUNT, HYDRAULIC PUMP
12	1	1004391	PLATE, MOUNT, HYDRAULIC PUMP
13	4	1004514	RETAINER, HYDRAULIC TANK VENT
14	1	1004589	HYDRAULIC FILLER BRACKET
15	1	1004663-1	PLACARD, FILL LOCATION
16	1	1004663-2	PLACARD, FLUID LEVEL
17	1	1004949	CABLE, DIODE ADAPTOR
18	1	1005043	TIMER RELAY HARNESS
19	5	1N4004	DIODE, 2-1/2"
20	1	206062-3	CLAMP, CABLE, CPC SIZE 11
21	1	206429-1	PLUG, MALE, CPC SIZE 1, 4 PIN
22	12 FT	22759-16-12-9	WIRE, 12 AWG, WHITE
23	16 FT	22759-16-20-9	WIRE, 20 AWG, WHITE
24	1	73F-250-32-NL	CONNECTOR, FEMALE, 10-12 AWG
	1	73M-250-32-NL	CONNECTOR, MALE, 10-12 AWG
25	1	2974K861	FITTING
26	2	3453LF2A	FUSE HOLDER
27	2	57134	CLAMP
28	2	6-140	TERMINAL BLOCK, 6 CONNECTOR
29	1	60703	BRAIDED TUBING
30	2	648487	PUMP, HYD., 24VDC (SEE DETAIL)
31	3	66099-4	PIN, MALE, 1/16 DIA, CRIMP
32	3	820-01291	CAP
33	1	925106ERL	FITTING
34	2	AGC-1	FUSE, 250V, (S2565-1)
35	3	AN3-3A	BOLT, 10-32, 0.0625 GRIP, UNDRILLED, STEEL
36	3	AN3-4A	BOLT, 10-32, 0.125 GRIP, UNDRILLED, STEEL
37	2	AN4-5A	BOLT, 1/4-28, 0.1875 GRIP, UNDRILLED, STEEL
38	2	AN526-1032R6	SCREW, TRUSS HEAD MACHINE, 10-32 THREAD, 3/8" LENGTH
39	4	AN526-632R10	SCREW, TRUSS HEAD MACHINE, 6-32 THREAD, 5/8" LENGTH
40	4	AN804-4D	TEE FITTING

PARTS MANUAL FOR BONDED
WIPLINE MODEL 6000/6100 FLOATS S/N 61499 AND PRIOR ON PILATUS

ITEM	QTY	PART NO.	PART DESCRIPTION
41	1	AN818-6D	NUT, TUBE COUPLING, 3/8" TUBE DIA, 0.5625-18 THREAD
42	2	AN832-5D	UNION -5D
43	2	AN914-1D	ELBOW,90°, PIPE
44	2	AN919-7D	FITTING, REDUCER
41	1	AN818-6D	NUT, TUBE COUPLING, 3/8" TUBE DIA, 0.5625-18 THREAD
42	2	AN832-5D	UNION -5D
43	2	AN914-1D	ELBOW,90°, PIPE
44	2	AN919-7D	FITTING, REDUCER
45	4	AN924-4D	NUT, TUBE, 7/16-20 THREAD
46	4	AN924-5D	NUT, TUBE, 1/2-20 THREAD
47	2	AN929-4	CAP
48	2	AN970-4	WASHER,.265 ID, 1.125 OD, .063 THK
49	6	BR05FW	SOCKET, 5 PRONG, PLASTIC
50	2	GPP1250-40	PRESSURE SWITCH
51	2 FT	HS105-3/16-0	HEAT SHRINK, TUBING, BLACK
52	2	MS16997-96	SOCKET HEAD CAP SCREW
53	2	MS16997-99	SOCKET HEAD CAP SCREW
54	4	MS21044N06	NUT, LOCKING, REGULAR HEIGHT, 6-32 UNC
55	6	MS21044N3	NUT, LOCKING, REGULAR HEIGHT, 10-32 UNF
56	2	MS21044N4	NUT, LOCKING, REGULAR HEIGHT, 1/4-28 UNF
57	2	MS21045-3	NUT, SELF LOCK, STEEL, 10-32 SEGMENTED
58	2	MS27769-2	PLUG
59	4	MS28775-012	O RING, HYDRAULIC PACKING, .364 ID
60	4	MS35338-46	WASHER, SPLIT, CARBON STEEL
61	2	MS35489-19	GROMMET, RUBBER
62	12	NAS1149F0332P	WASHER, 0.203 ID, 0.032 THK, STEEL
63	8	NAS1149F0363P	WASHER, 0.203 ID, 0.063 THK, STEEL
64	1	NAS1564D6-4	FITTING, REDUCER
65	20	R-3	RING CONNECTOR
66	1	S1021Z8-8	SCREW, (8X1/2 TR PHIL B STL SMS)
67	1	S2034-1	MOUNT
68	2	Y-4	RING CONNECTOR

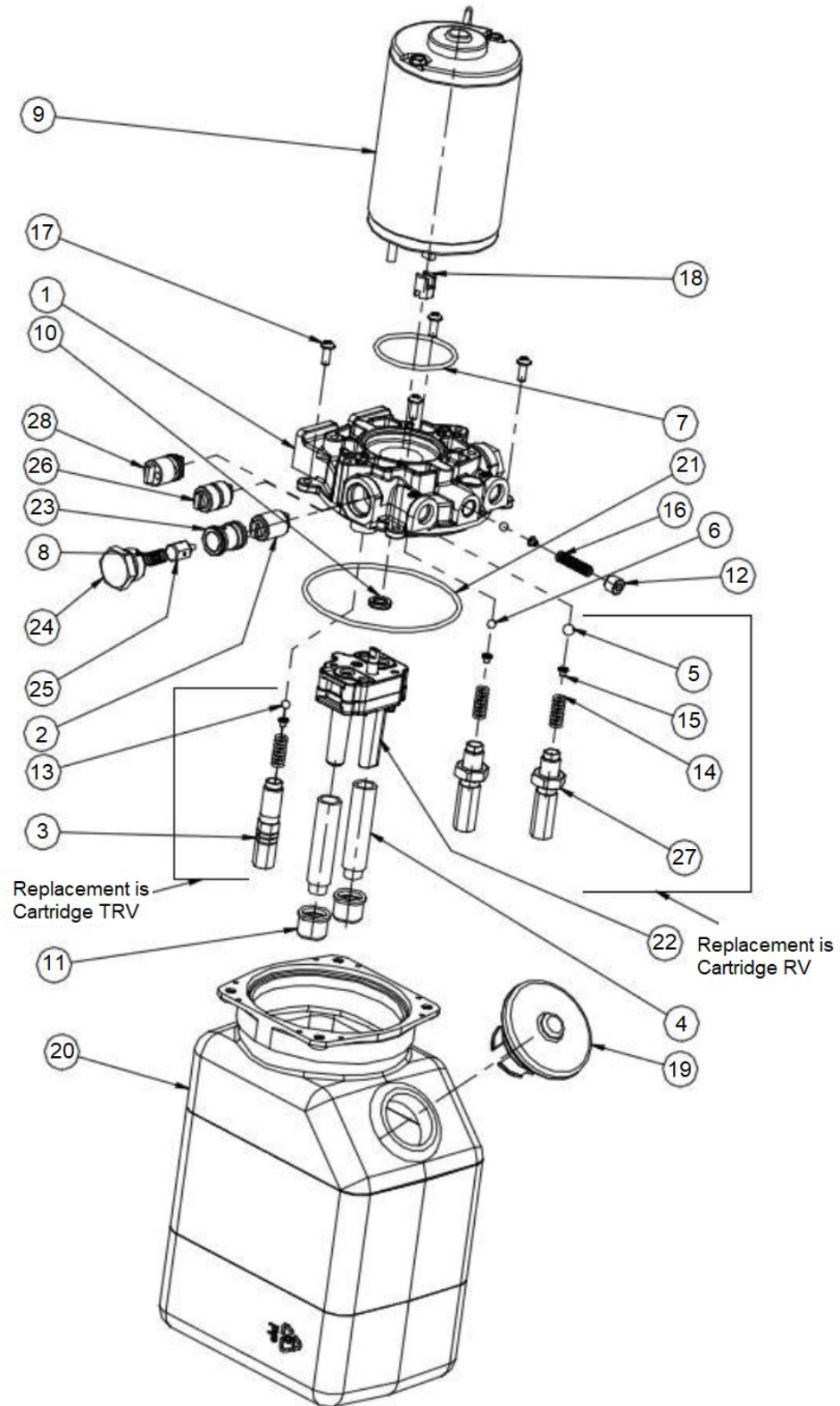
UNIDIRECTIONAL HYDRAULIC PUMP ASSEMBLY POST SERVICE LETTER 214



PARTS MANUAL FOR BONDED
WIPLINE MODEL 6000/6100 FLOATS S/N 61499 AND PRIOR ON PILATUS

ITEM	QTY	PART NO.	PART DESCRIPTION
-	1	1011404	ASSEMBLY, HYDRAULIC POWER PACK (REPLACED HYDRAULIC PUMP 6A09000-029)
1	2	1011062	ASSEMBLY, PLUG, PRESSURE SWITCH PORT
2	1	1011359	ASSEMBLY, HYDRAULIC PUMP RESERVOIR
3	2	1011361-01	HYDRAULIC HOSE ASSEMBLY, MANIFOLD TO PUMP
4	1	1011361-05	HOSE, MANIFOLD TO RESERVOIR
5	1	1011402	ASSEMBLY, BRACKET, PUMP MOUNT
6	1	1011403	ANGLE, PUMP MOUNT, LOWER
7	1	22759-16-12-9	WIRE, 12AWG, WHITE
8	2	4061T199	SQUARE PROFILE, O-RING, 3.5" I.D., .094 THK
9	2	AN3-4A	BOLT, 10-32, 0.125 GRIP, UNDRILLED, STEEL
10	1	AN816-5-4D	NIPPLE, FLARED TUBE AND PIPE THREAD
11	2	AN914-1D	ELBOW, 90 DEGREES, INTERNAL EXTERNAL PIPE
12	4	AN919-3D	FITTING, REDUCER
13	2	AN929-4	CAP
14	2	GPP1250-40	PRESSURE SWITCH
15	4	MS16997-96	SOCKET HEAD CAP SCREW
16	2	MS21044N3	NUT, LOCKING, REGULAR HEIGHT, 10-32 UNF
17	4	MS25036-103	RING TERMINAL, #10 STUD, 22-16 AWG, RED
18	2	MS25036-112	RING TERMINAL, #10 STUD, 10-12 AWG, YELLOW
19	2	MS25036-113	RING TERMINAL, 5/16 STUD, 10-12 AWG, YELLOW
20	4	MS25036-157	RING TERMINAL, #10 STUD, 10-12 AWG, YELLOW
21	1	MS27769D3	PLUG, PIPE, COUNTERSINK HEX HEAD
22	4	MS28775-013	"O" RING, HYDRAULIC
23	8	MS35206-252	SCREW, MACHINE, PAN HEAD
24	4	MS35338-46	WASHER, SPLIT
25	2	NAS1149F0332P	WASHER, 0.203 ID, 0.032 THK, STEEL
26	2	NAS1149F0363P	WASHER, 0.203 ID, 0.063 THK, STEEL
27	8	NAS1149FN832P	WASHER, 0.174 ID, 0.032 THK, STEEL
28	2	YBZS- D0.63W2T100K/ UVZOT2	HYDRAULIC POWER PACK, 24VDC, .64 PUMP

UNIDIRECTIONAL HYDRAULIC PUMP ASSEMBLY PRE SERVICE LETTER 214

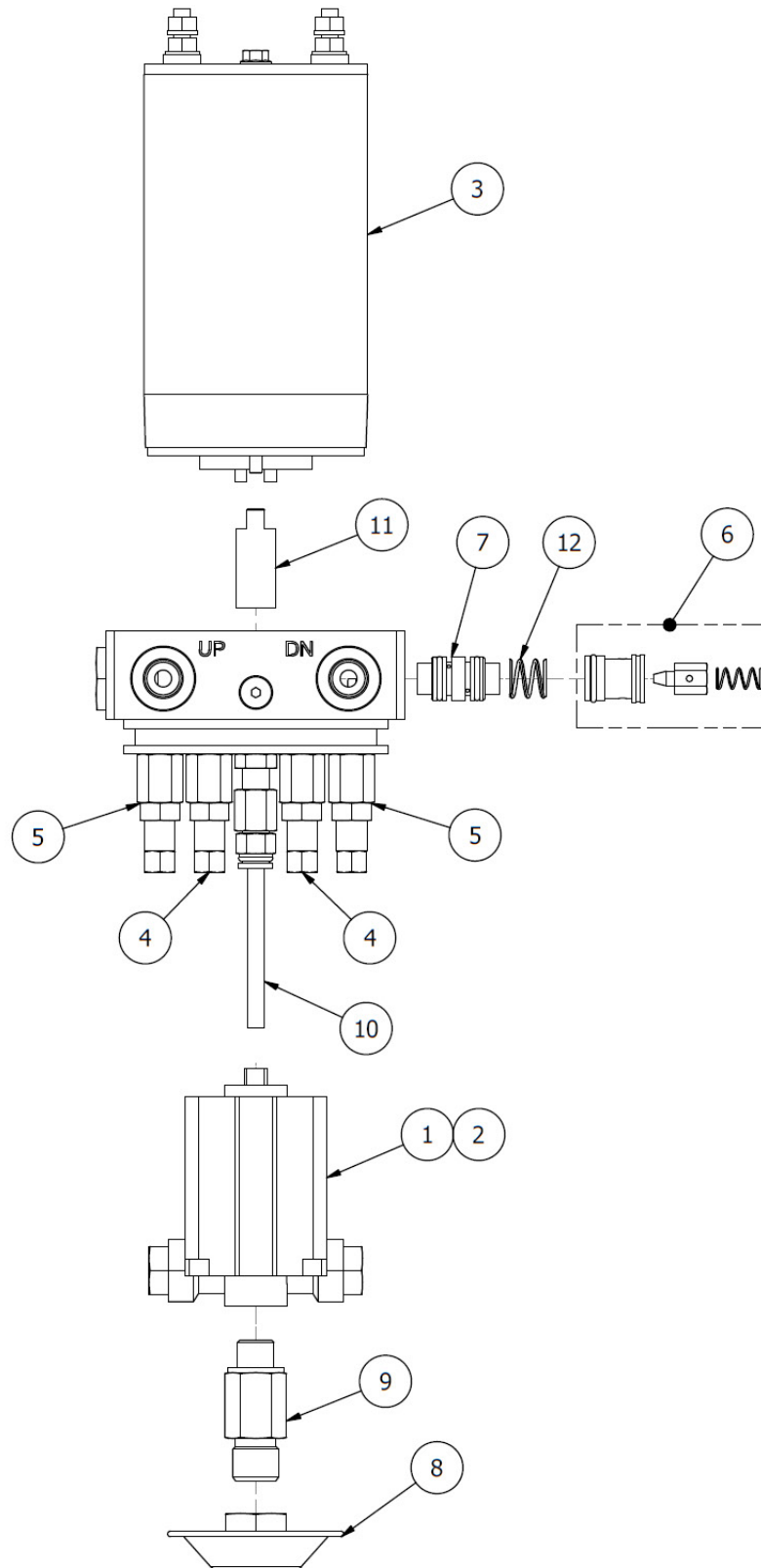


PARTS MANUAL FOR BONDED
WIPLINE MODEL 6000/6100 FLOATS S/N 61499 AND PRIOR ON PILATUS

ITEM	QTY	PART NO.	PART DESCRIPTION
-	1	648487	PUMP HYDRAULIC, REVERSIBLE, 24VDC
1	1	205882	ADAPTER
3	N/A	N/A	PART OF THERMAL RV CARTRIDGE
4	2	364528	SUCTION EXTENSION TUBE
5	N/A	N/A	PART OF RELIEF VALVE CARTRIDGE
6	N/A	N/A	PART OF RELIEF VALVE CARTRIDGE
7	1	405673	O RING, 1-3/4" DIA
8	2	410462*	SPRING (POPPET)
9	1	411165	MOTOR, 24 VDC, PERM. MAGNET
10	1	410512	SHAFT SEAL
11	2	410521*	SUCTION STRAINER
12	1	410530	PLUG FOR BACK PRESSURE VALVE
13	N/A	N/A	PART OF RELIEF VALVE CARTRIDGE
14	N/A	N/A	PART OF RELIEF VALVE CARTRIDGE
15	N/A	N/A	PART OF RELIEF VALVE CARTRIDGE
16	1	411874	SPRING FOR BACK PRESSURE VALVE
17	4	413222	SCREW, RESERVOIR MOUNTING
18	1	413528	COUPLING
19	1	413742	BREATHER CAP RESERVOIR
20	1	413922	RESERVOIR, Q, 2 LITER
21	1	414063	O'RING, 153-70 BUNA
22	1	635354	PUMP, .032, REVERSIBLE, COLD TEMP.
22A	2	406187	RESERVOIR BOLTS, 3/16" DIA (NOT SHOWN)
23	2	773763	CHECK SEAT
24	2	774550*	HEX PLUG RETAINER, WITH 1/8" NPSF CONNECTION
25	2	773776*	POPPET
26	N/A	N/A	N/A
27	N/A	N/A	PART OF RELIEF VALVE CARTRIDGE
28	1	774376	SPOOL, DOUBLE BACK PRESSURE LD
-	2	704522	THERMAL RV CARTRIDGE – SPECIFY PRESSURE SETTING AT 1900 PSI
-	2	704517	RELIEF VALVE CARTRIDGE – SPECIFY PRESSURE SETTING OF 1400 +150/-0 PSI FOR UP SIDE: SPECIFY 1100 +150/-0 PSI DN SIDE

* Reference Wipaire drawing 1011065 for alternate part numbers.

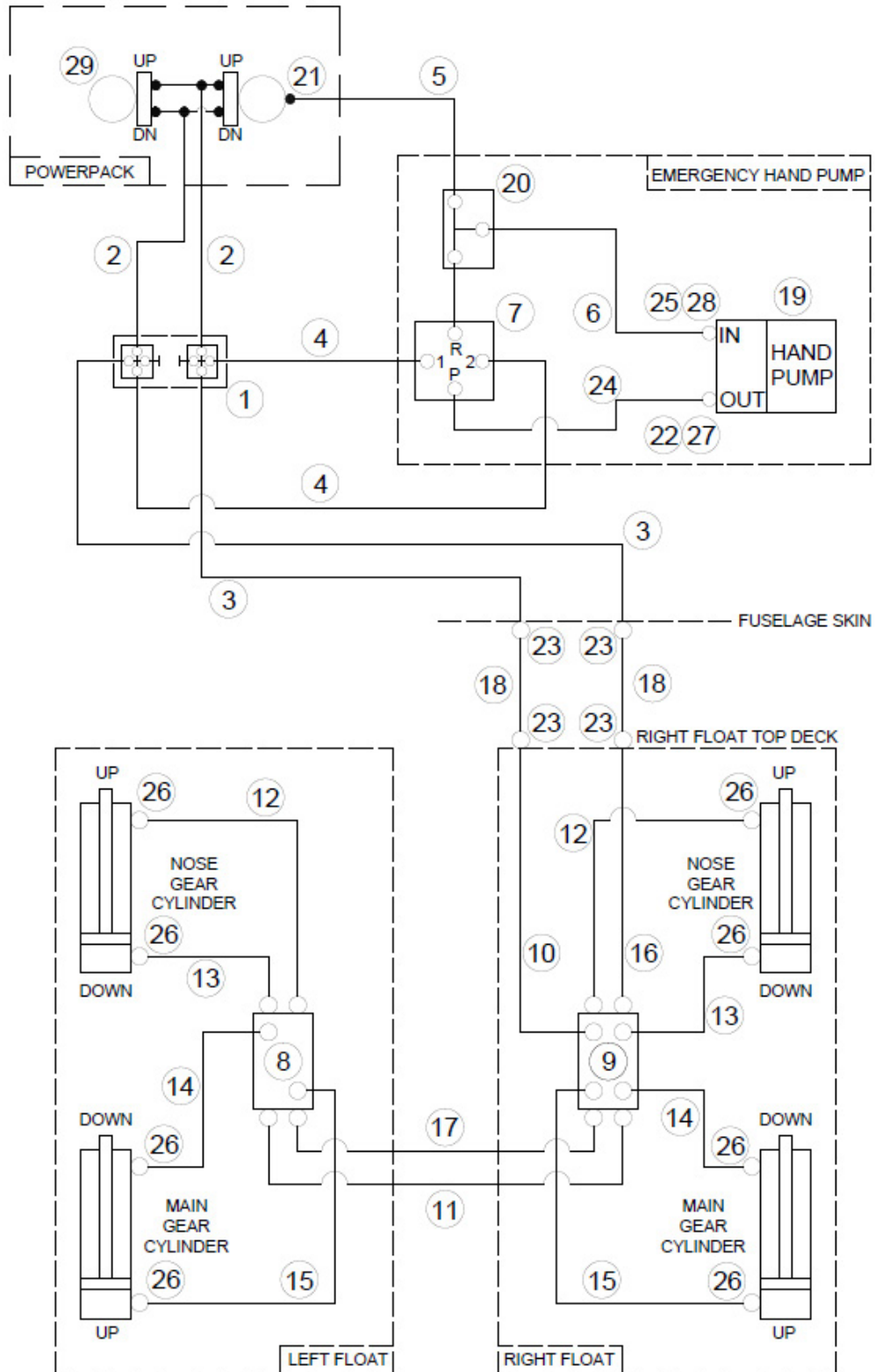
HYDRAULIC PUMP OVERVIEW



PARTS MANUAL FOR BONDED
WIPLINE MODEL 6000/6100 FLOATS S/N 61499 AND PRIOR ON PILATUS

ITEM	QTY	PART NO.	PART DESCRIPTION
1	1	202-0003	BI-DIRECTIONAL PUMP, 0.64 ML/R
2	1	299-0008	SEAL KIT, BI-DIRECTIONAL GEAR PUMP
3	1	610-0017	DC MOTOR, 24V, .8 KW
4	2	631-0005	PRESSURE RELIEF VALVE
5	2	631-0006	THERMAL RELIEF VALVE
6	2	632-0004	ASSEMBLY, PILOT OPERATED CHECK VALVE
7	1	637-0024	SHUTTLE VALVE
8	1	682-0019	FILTER, PICKUP TUBE, HYDRAULIC PUMP
9	1	682-0055	SUCTION HEX TUBE
10	1	682-0056	RETURN TUBE
11	1	683-0011	COUPLING, MOTOR TO PUMP
12	2	685-0012	SPRING, SHUTTLE VALVE
13	1	687-0001	SEAL KIT, RESERVIOR O-RING, PILOT OPERATED RELIEF VALVE O-RING, THERMAL AND PRESSURE RELIEF VALVE O-RING (NOT SHOWN)

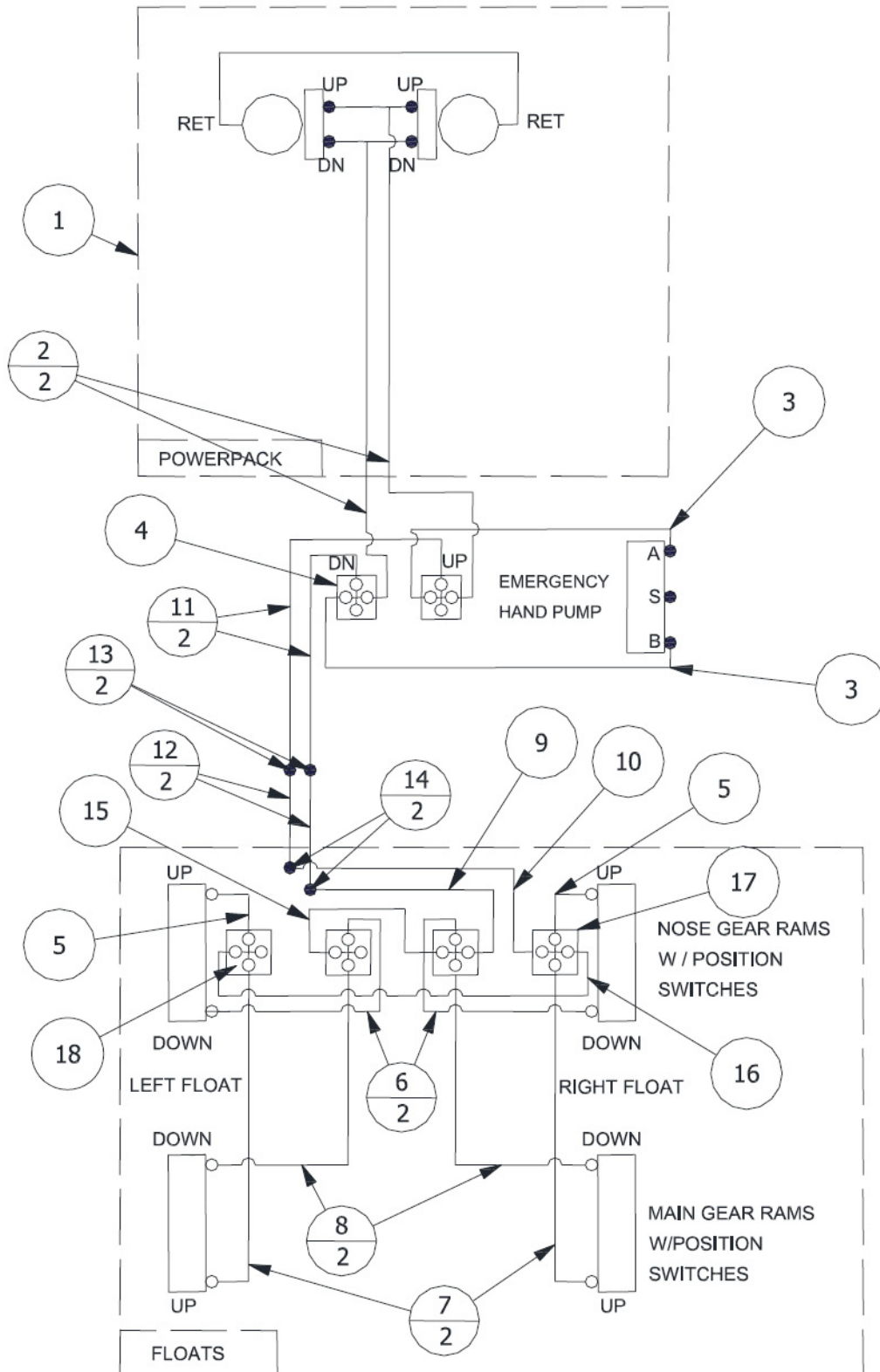
HYDRAULIC SYSTEM SCHEMATIC – BIDIRECTIONAL PUMP PC-6 POST SERVICE LETTER 214



PARTS MANUAL FOR BONDED
WIPLINE MODEL 6000/6100 FLOATS S/N 61499 AND PRIOR ON PILATUS

ITEM	QTY	PART NO.	PART DESCRIPTION
1	1	1005262	ASSEMBLY, MANIFOLD
2	2	1005288-03	ASSEMBLY, HYD. HOSE, HYD. PUMP TO MANIFOLD (252")
3	2	1005288-04	ASSEMBLY, HYD. HOSE, FUSELAGE FITTING TO MANIFOLD (36")
4	2	1005288-05	ASSEMBLY, HYD. HOSE, HAND PUMP TO MANIFOLD (30")
5	1	1005288-06	ASSEMBLY, HYD. HOSE, PUMP RESERVOIR TO HAND PUMP (220")
6	1	1011195	ASSEMBLY, HYD. HOSE, SELECTOR VALVE TO HAND PUMP
7	1	51861S6HO3P	HYDRAULIC SELECTOR VALVE
8	1	6A09000-027	MANIFOLD ASSY. LT.
9	1	6A09000-028	MANIFOLD ASSY. RT.
10	1	6A09000-054	ASSEMBLY, HYD. HOSE, MANIFOLD TO RIGHT FLOAT DECK (13.5")
11	1	6A09000-058	ASSEMBLY, HYD. HOSE, SPREADER BAR, GEAR DN, (126")
12	2	6A09000-064	ASSEMBLY, HYD. HOSE, MANIFOLD TO NOSE GEAR UP (76")
13	2	6A09000-065	ASSEMBLY, HYD. HOSE, MANIFOLD TO NOSE GEAR DN (54")
14	2	6A09000-066	ASSEMBLY, HYD. HOSE, MANIFOLD TO MAIN GEAR DN (82")
15	2	6A09000-067	ASSEMBLY, HYD. HOSE, MANIFOLD TO MAIN GEAR UP (115")
16	1	6A09000-068	ASSEMBLY, HYD. HOSE, MANIFOLD TO RIGHT FLOAT DECK (15")
17	1	6A09000-069	ASSEMBLY, HYD. HOSE, SPREADER BAR, GEAR UP (125")
18	2	6A09000-070	ASSEMBLY, HYD. HOSE, TOP DECK TO FUSELAGE (96")
19	1	914-8D-27	HYDRAULIC HAND PUMP
20	1	926104ERL	-4 "T" FEMALE AN, SWIVEL ON RUN
21	1	AN816-4-4D	FITTING, FLARED TUBE AND PIPE THREAD
22	1	AN816-6D	FITTING, FLARED TUBE AND PIPE THREAD
23	4	AN833-5D	FITTING, ELBOW, 90°, BULKHEAD
24	1	AN914-2D	ELBOW, PIPE THREAD
25	1	AN919-10D	FITTING, UNION
26	8	MS20822-4D	FITTING, ELBOW, 90°
27	1	MS28775-013	O-RING
28	1	MS28775-016	O-RING
29	2	YBZS- D0.63W2T100K/ UVZOT2	HYDRAULIC PUMP, 24 VDC
30	A/R	N/A	FITTING END (NOT SHOWN)
		63-190600-4	-4 STRAIGHT FITTING
		63-190600-5	-5 STRAIGHT FITTING
		190773-4	-4 45° FITTING
		190773-5	-5 45° FITTING
		190772-4	-4 90° FITTING
		190772-5	-5 90° FITTING

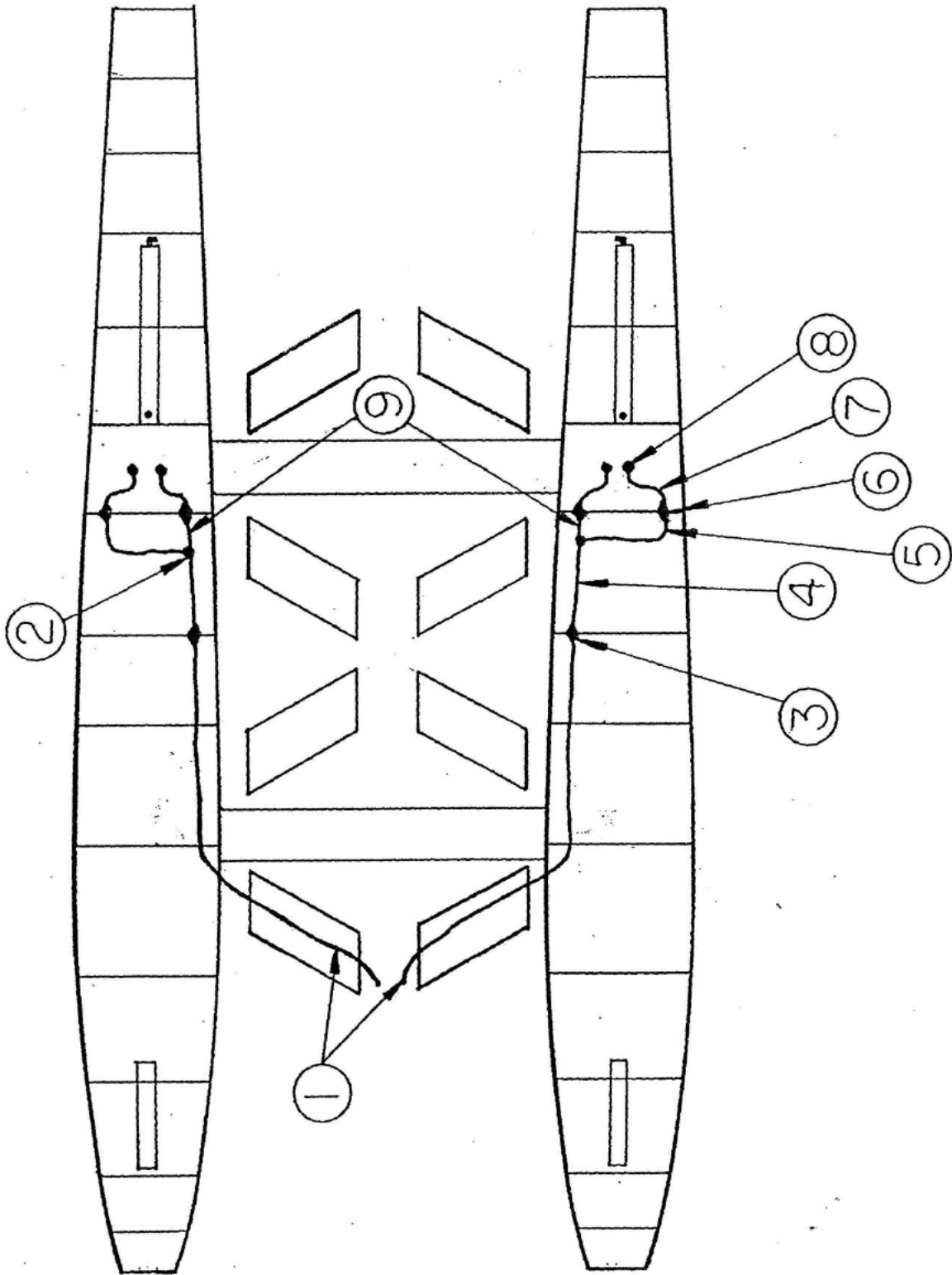
HYDRAULIC SYSTEM SCHEMATIC PRE SERVICE LETTER 214



PARTS MANUAL FOR BONDED
WIPLINE MODEL 6000/6100 FLOATS S/N 61499 AND PRIOR ON PILATUS

ITEM	QTY	PART NO.	PART DESCRIPTION
1	1	1005294	ASSEMBLY, HYDRAULIC PUMP, PC-6
2	2	1005288-03	ASS'Y, HYDRAULIC HOSE, A/C MANIFOLD TO POWER PACK
3	2	1005288-01	ASS'Y, HYDRAULIC HOSE, EXISTING HYD LINES TO MANIFOLD
4	1	1005262	ASSEMBLY, MANIFOLD, HYDRAULIC, PC-6
5	2	6A09000-064	HOSE, MAN. TO NOSE GEAR UP
6	2	6A09000-065	HOSE, MAN. TO NOSE GEAR DOWN
7	2	6A09000-067	HOSE, MAN. TO MAIN GEAR UP
8	2	6A09000-066	HOSE, MAN. TO MAIN GEAR DOWN
9	1	6A09000-054	HOSE, RIGHT MANIFOLD TO FLOAT DECK
10	1	6A09000-068	HOSE, RIGHT MAN. TO FLOAT DECK
11	4	1005439-01	ASS'Y, HOSE, HYD SYSTEM, A/C MANIFOLD TO A/C BULKHEAD
12	2	6A09000-070	HOSE, FLOAT DECK TO FUSELAGE FITTING
13	2	AN833-5D	FITTING, HYDRAULIC, 90° ELBOW
14	2	AN833-5D	FITTING, HYDRAULIC, 90° ELBOW
15	1	6A09000-058	HOSE, LEFT MAN TO RIGHT MAN
16	1	6A09000-069	HOSE, LEFT MAN TO RIGHT MAN
17	1	6A09000-028	MANIFOLD ASSY. RT.
18	1	6A09000-027	ASSEMBLY, MANIFOLD, HYDRAULIC

HYDRAULIC BRAKE SCHEMATIC



PARTS MANUAL FOR BONDED
WIPLINE MODEL 6000/6100 FLOATS S/N 61499 AND PRIOR ON PILATUS

ITEM	QTY	PART NO.	PART DESCRIPTION
1	2	6A04000-023	ASS'Y., BRAKE LINE, FT. STRUT
	1	2807-4	LINE-AEROQUIP (83")
	2	63-190600-4	FTG. AEROQUIP
2	2	AN824-4D	TEE, FLARED TUBE, ALUMINUM, TUBE OD 1/4, THREAD 7/16-20
3	2	AN832-4D	FTG., BULK.
	2	NAS1149D0863J	WASHER, 0.515 ID, 0.063 THK, ALUMINUM
	2	AN924-4D	NUT, TUBE, 7/16-20 THREAD
4	2	6A04000-024	ASS'Y., BRAKE LINE (34")
	2	.035 X 1/4 X 34"	LINE-ALUMINUM
	4	MS20819-4D	SLEEVE
	4	AN818-4D	NUT, TUBE COUPLING, ALUMINUM, TUBE OD 0.250
5	2	6A04000-25	ASSY., BRAKE LINE (20.75")
	2	.035 X 1/4 X 20.75"	LINE-ALUMINUM
	4	MS20819-4D	SLEEVE
	4	AN818-4D	NUT, TUBE COUPLING, ALUMINUM, TUBE OD 0.250
6	4	AN832-4D	FTG., BULK.
	4	NAS1149D0863J	WASHER, 0.515 ID, 0.063 THK, ALUMINUM
	4	AN924-4D	NUT, TUBE, 7/16-20 THREAD
7	4	6A04000-026	ASS'Y., BRAKE LINE
	1	2807-4	LINE-AEROQUIP (14")
	2	63-190600-4	FTG. AEROQUIP
8	2	MS20823-4D	ELBOW (45 DEG)
	2	6A04258-004	ADAPTOR
9	2	6A04000-027	ASS'Y., BRAKE LINE (5.25")
	2	.035 X 1/4 X 5.25"	LINE-ALUMINUM
	4	MS20819-4D	SLEEVE
	4	AN818-4D	NUT, TUBE COUPLING, ALUMINUM, TUBE OD 0.250
10	2	MS35489-9	GROMMET

SECTION 12

ELECTRICAL SCHEMATIC

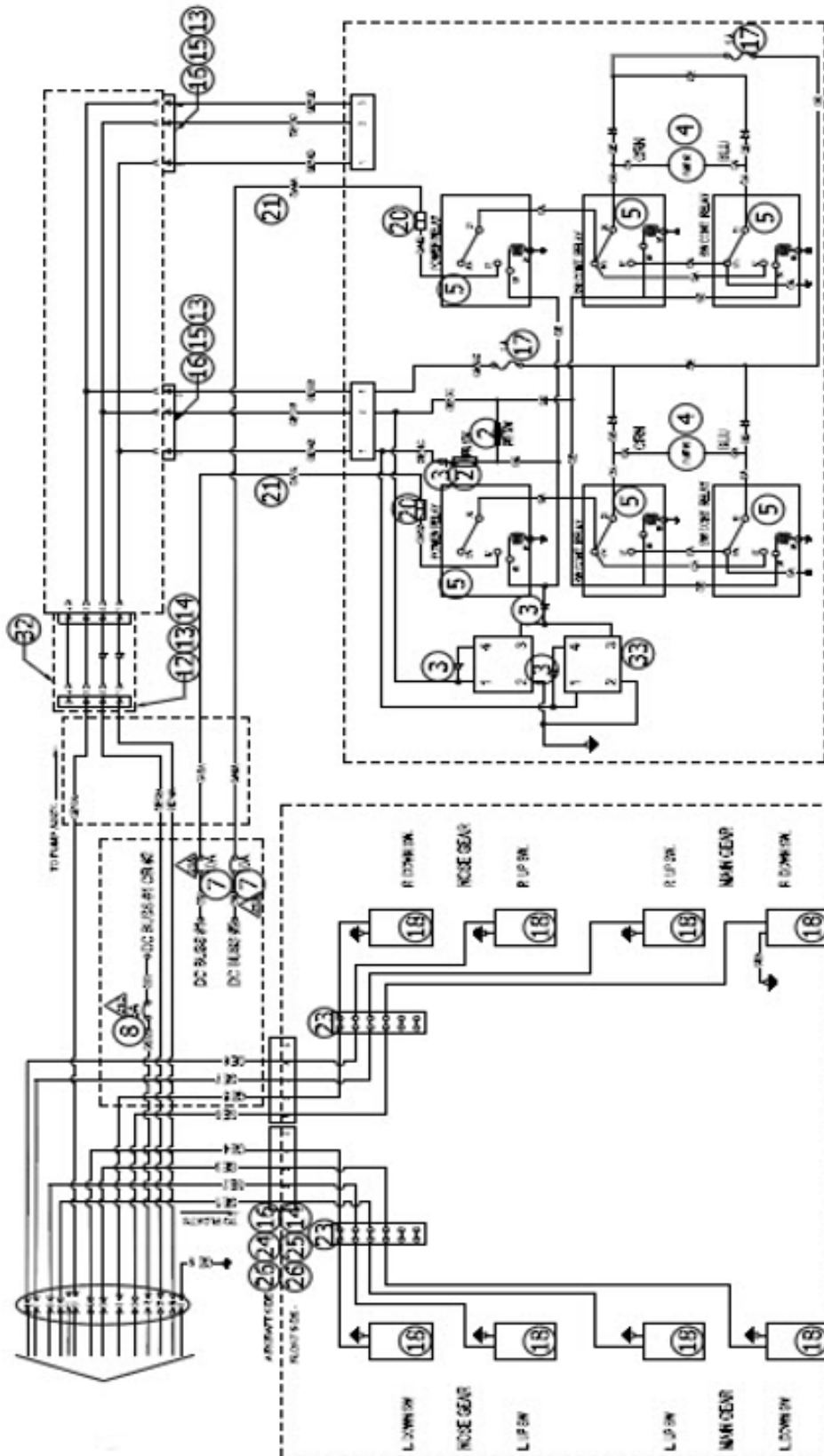
CONTENTS

ELECTRICAL SCHEMATIC - BIDIRECTIONAL PUMP PC-6 POST SERVICE LETTER 214.....	126
ELECTRICAL SCHEMATIC - PC-6 PRE SERVICE LETTER 214	128

PARTS MANUAL FOR BONDED
WIPLINE MODEL 6000/6100 FLOATS S/N 61499 AND PRIOR ON PILATUS

ITEM	QTY	PART NO.	PART DESCRIPTION
1	6	0-332-209-211	RELAY, 24VDC, 5 PRONG
2	1	1004509	ASSEMBLY, WIRE HARNESS
3	1	1004635	ASSEMBLY, WIRE HARNESS
4	1	1005043	ASSEMBLY, TIMER RELAY HARNESS, 24VDC
5	5	1N4004	DIODE
6	1	206043-3	PLUG, FEMALE, CPC, 14 PIN
7	1	206044-1	PLUG, MALE, CPC, 14 PIN
8	2	206062-3	CLAMP, CABLE, CPC, SIZE 11
9	2	206070-8	CLAMP, CABLE, CPC, SIZE 17
10	1	206429-1	PLUG, 4 PIN, MALE, CPC, SIZE 1
11	1	206430-2	PLUG, 4 PIN, FEMALE, CPC, SIZE 1
12	1	206708-1	PLUG, FEMALE, CPC, 9 PIN
13	1	206966-7	CLAMP, CABLE, CPC SIZE 13
14	2	3TC2-30	CIRCUIT BREAKER, 30 AMP
15	1	4A11000-008	WIRE HARNESS
16	1	507-3918-1431-600	INDICATOR LAMP, 28V, RED
17	4	507-3918-1432-600	INDICATOR LAMP, 28V, GREEN
18	4	507-3918-1434-600	INDICATOR LAMP, 28V, BLUE
19	8	5801	PROXIMITY SWITCH
20	2	6-140	TERMINAL BLOCK, 6 POSITION
21	11	66099-4	PIN, MALE, CRIMP
22	6	66103-4	PIN, MALE, CRIMP
23	26	66105-4	CRIMP SOCKET, FEMALE
24	1	7277-2-5	CIRCUIT BREAKER, 5 AMP
25	4 FT	97358	SPLIT LOOM
26	2	73F-250-32-NL	CONNECTOR, FEMALE, 12-10 AWG
27	2	73M-250-32-NL	CONNECTOR, MALE, 12-10 AWG
28	1	8857K44	TOGGLE SWITCH
29	1	A101SYCB	TOGGLE SWITCH, SPDT, ON-ON
30	2	AGC-1	FUSE, 250V (S2565-1)
31	2	GPP1250-40	PRESSURE SWITCH
32	A/R	MIL-W-22759-16-20	WIRE, 20 AWG
33	A/R	MIL-W-22759-16-22	WIRE, 22 AWG
34	A/R	MIL-W-22759-16-12	WIRE, 12 AWG
35	8	S1635-1	PIN
36	8	S1636-1	SOCKET
37	8	S1637-1	HOUSING
38	8	S1637-2	HOUSING
39	2	YBZS- D0.63W2T100K/ UVOT2	HYDRAULIC POWER PACK, 24 VDC

ELECTRICAL SCHEMATIC - PC-6
PRE SERVICE LETTER 214



PARTS MANUAL FOR BONDED
WIPLINE MODEL 6000/6100 FLOATS S/N 61499 AND PRIOR ON PILATUS

ITEM	QTY	PART NO.	PART DESCRIPTION
2	2	GPP1250-40	PRESSURE SWITCH
3	5	1N4004	DIODE
4	2	646516	GEAR PUMP
5	6	V23234A0004X050	RELAY, 24V, 5 PRONG
7	2	7277-2-20	KLIXON CIRCUIT BREAKER, 20 AMP
8	1	7277-2-5	KLIXON CIRCUIT BREAKER, 5 AMP
9	A/R	MIL-W-22759/16-20	20GA WIRE
10	A/R	MIL-W-22759/16-22	22GA WIRE
11	A/R	MIL-W-22759/16-12	12GA WIRE
12	1	206430-2	CPC PLUG, 4 PIN, FEMALE #1
13	1	206062-3	CPC CABLE CLAMP, SIZE 11
14	14	66105-4	CRIMP SOCKET, FEMALE 24-20GA
15	2	206429-1	CPC PLUG MALE #1, 4 PIN
16	16	66103-4	CRIMP SOCKET, 20-24GA
17	2	AGC-1	FUSE, 250V (S2565-1)
18	8	59135-020	HAMLIN SWITCH
20	1	73F-250-32-NL	CONNECTOR, FEMALE, 10-12 AWG
	1	73M-250-32-NL	CONNECTOR, MALE, 10-12 AWG
21	2	1004635	WIRE, SINGLE CONNECTOR
23	2	6-140	6 POSITION TERMINAL BLOCK
24	2	206705-2	CPC FREE HANG, 9 PIN, MALE #1
25	2	206708-1	CPC PLUG, 9 PIN, FEMALE #1
26	4	206966-1	CPC CLAMP, SIZE 13, 9 PIN
27	A/R	MIL-W-22759/16-10	10 GA WIRE
29	4 FT	97358	SPLIT LOOM
32	1	1004949	CABLE, DIODE ADAPTER
33	2	1005043	ASS'Y, TIMER RELAY HARNESS (24V)