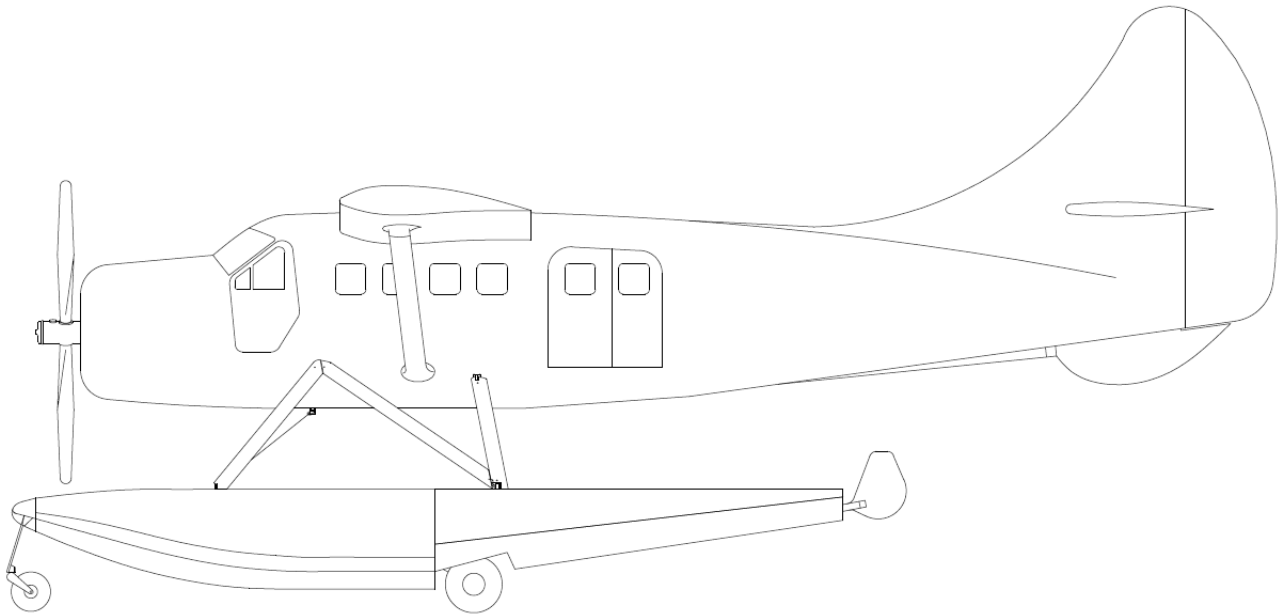




WIPLINE FLOATS • SKIS • MODIFICATIONS • AIRCRAFT SALES
AVIONICS • INTERIOR • MAINTENANCE • PAINT REFINISHING



**PARTS MANUAL
FOR
WIPLINE MODEL 8000 FLOATS
ON DEHAVILLAND DHC-3 SINGLE OTTER**

Revision C

1700 Henry Ave. - Fleming Field (KSGS), South St. Paul, MN 55075
Ph: 651.451.1205 Fax: 651.457.7858
www.wipaire.com

THIS PAGE INTENTIONALLY LEFT BLANK

LOG OF REVISIONS

Revision	Pages Affected	Description	Date
A	All	Initial Release	6/19/2020
B	All	Added note about nose and main gear tire/tube. Changed O-Ring MS28775-220 to MS28775-314 in Assy, Flange-Cylinder End. Added Nose Wheel Without Tire Assembly 1003233 image and parts. Added sections for Pre/Post Service Letter 215 for hydraulics and electrical. Updated Hydraulic Schematic image and part numbers. Added Pump Mount Bracket Assembly 1011402 image and parts list. Added Hydraulic Pump 1011404 images and parts list. Changed hydraulic pump 8A09000-031 to 6A09000-029 and added bracket 9A09000-176. Added note about Wipaire drawing 1011032 for alternate part numbers on Hydraulic Pump Overview. Updated Brake System Schematic. Updated Electrical Schematic. Changed Gear Control Valve Assembly 8A09000-102 to 6A09000-157. Changed R-5 to MS25036-103. Changed R-7 to MS25036-104. Changed Y-4 to MS25036-112. Changed Y-6 to MS25036-113.	5/26/2021
C	41, 58-59	Added 1011004 Assembly, Cup, Pumpout, Duckbill, 1011808 Retainer, Valve, Duckbill, Pumpout Plug, and 1011870 Valve, Duckbill. Updated image and parts list for Main Gear Axle Assembly Without Wheels.	5/26/2022

View most current version of parts manual at www.wipaire.com.

CONTENTS

FLOAT PART SALES DEPARTMENT OPERATIONS	5
INTRODUCTION	6
SECTION 1 HULL BULKHEAD ASSEMBLIES	9
SECTION 2 WHEEL WELL ASSEMBLY	23
SECTION 3 SKINS	27
SECTION 4 TOP DECK ASSEMBLY	31
SECTION 5 EXTRUSIONS	35
SECTION 6 PUMPER TUBE INSTALLATION	39
SECTION 7 STRUTS, SPREADER BARS, AND STEPS	43
SECTION 8 LANDING GEAR	55
SECTION 9 WATER RUDDER, STEERING, & RETRACT CABLES	79
SECTION 10 HYDRAULIC SYSTEM	89
SECTION 11 ELECTRICAL	105
SECTION 12 VENTRAL FIN	111

FLOAT PART SALES DEPARTMENT OPERATIONS

Parts Sales:

Wipaire, Inc.

1700 Henry Avenue – Fleming Field

South St. Paul, MN 55075

Telephone: (651) 306-0459

Fax: (651)-306-0666

Website: www.wipaire.com

Email: customerservice@wipaire.com

Note: Any information not found in this manual for strut package parts and other installation items refer to the installation drawing package provided with the STC at the time of float installation. Additional drawing copies are available for purchase through the Wipaire Customer Service Department.

Parts Ordering

Purchase orders should include:

1. Purchase order number
2. Name of person placing order
3. Invoicing information:
 - a. Customer name - company or individual
 - b. Address
 - c. Phone and fax number
4. Shipping information:
 - a. Address (if different from invoice address)
 - b. Method of shipment/preferred carrier
5. Aircraft model, float model, and serial numbers
6. Wipaire part number; name; type, e.g. left or right; quantity
7. Payment method: VISA, MasterCard, C.O.D. (Collect on Delivery) (U.S. customers only), pre-payment by check or wire transfer, open account (see Credit Policy)

INTRODUCTION

All references in this manual to LEFT and RIGHT are from the perspective of the pilot's seat with the floats fully installed and ready for floatplane operation.

The following is a list of abbreviations that may appear in the description nomenclature fields of this manual:

AB	Afterbody	Inbd.	Inboard
Amphib.	Amphibious	Lg.	Large
AR	As Required	Lt.	Left
Assy.	Assembly	Lwr.	Lower
Brkt.	Bracket	Opt.	Optional
Btm.	Bottom	Otbd.	Outboard
Bulk.	Bulkhead	Reinf.	Reinforcement
Ctr.	Center	Rr.	Rear
Cyl.	Cylinder	Rt.	Right
Ft.	Front	Sm.	Small
Ftg.	Fitting	SN	Serial Number
Fus.	Fuselage	Spr.	Spreader
Fwd	Forward	Upr.	Upper
Horiz.	Horizontal	Vert.	Vertical
Hyd.	Hydraulic	W.W.	Wheel Well

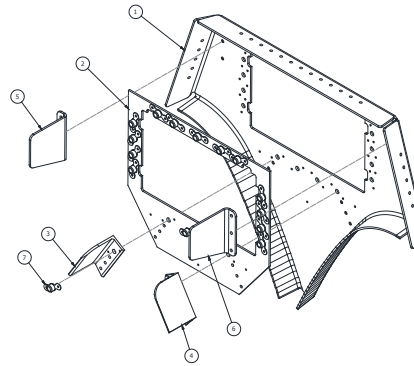
USING THIS PARTS MANUAL

COVERAGE

Parts information is provided in this manual for the hulls and all "deck down" parts. For information on strut package parts and other aircraft installation items, refer to the installation drawing package provided with the STC at the time of float installation. Additional drawing copies are available for purchase through Wipaire Customer Service Department.

Name of main part in the section. Example: This part is showing the components made up in Bulkhead #1.

BULKHEAD #1



Main part image. If the image has numbers associated with it, then those numbers are item numbers shown in the table below.

Items with a (-) instead of a number represent the main part as an assembly. Other parts represent the parts included in the assembly.

ITEM	QTY	PART NO.	PART DESCRIPTION
-	1	1008815	ASSEMBLY BULKHEAD #1, 10000
1	1	1008797	PANEL, BULKHEAD #1
2	1	13A01156-085	DOUBLER #1 BULKHEAD
3	1	13A01357-049	CLEAT, SISTER KEEL ATTACH #1 BULKHEAD
4	1	13A01357-050	CLEAT, SISTER KEEL ATTACH #1 BULKHEAD
5	1	6A01156-054	ANGLE - TOP RAIL
6	1	6A01156-055	ANGLE - TOP RAIL
7	17	MS21047L4	NUT PLATE, SELF LOCKING

To order an individual part, order the part number associated with item number.

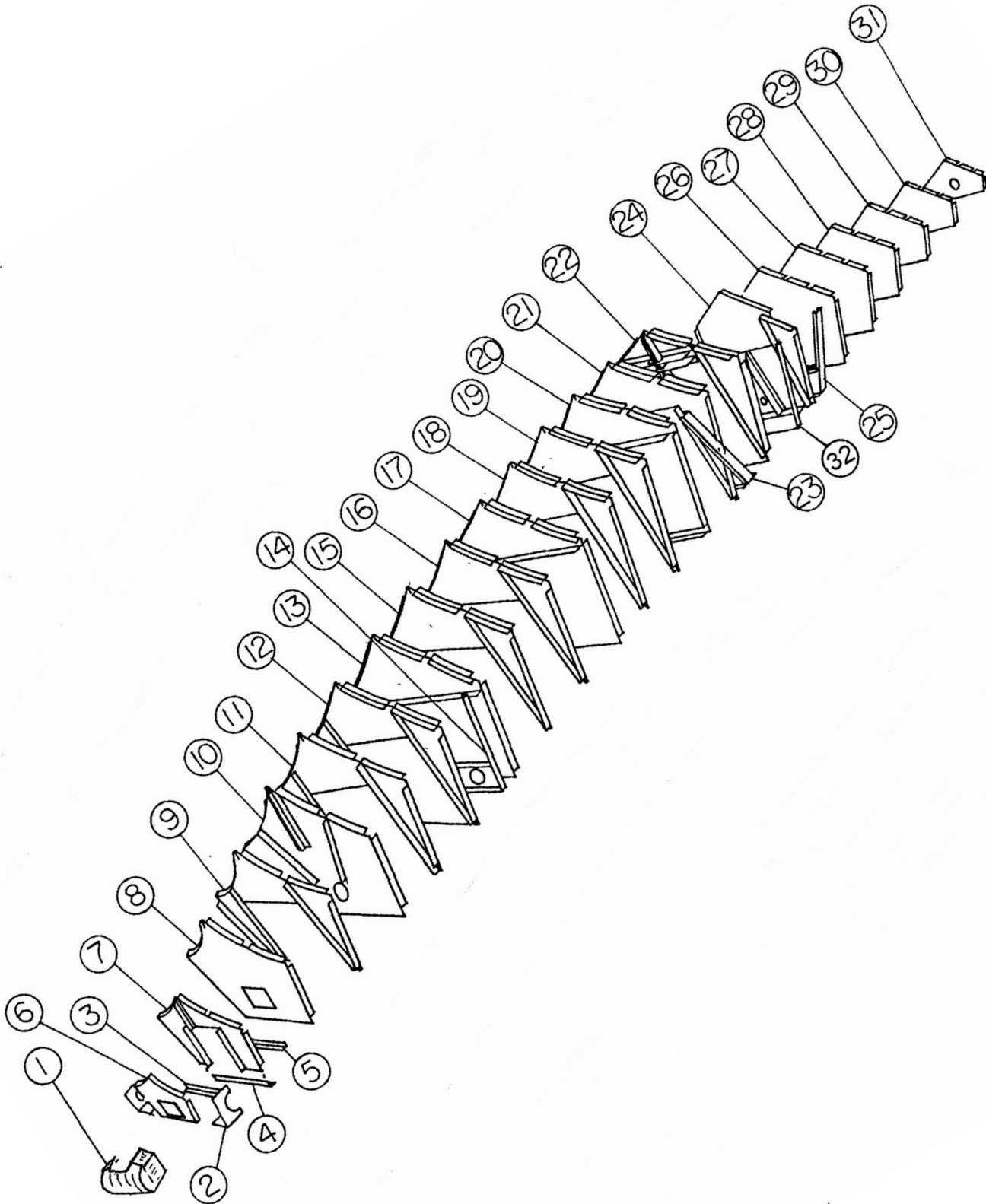
THIS PAGE INTENTIONALLY LEFT BLANK

SECTION 1 HULL BULKHEAD ASSEMBLIES

CONTENTS

HULL ASSEMBLY - AMPHIBIAN.....	10
CONVERSION HULL - SERVICE KIT #20	18
SKIN DOUBLERS, STIFFENERS, STRUCTURAL SUPPORT	20

HULL ASSEMBLY - AMPHIBIAN



PARTS MANUAL
8000 FLOATS ON DEHAVILLAND DHC-3 SINGLE OTTER

ITEM	QTY	PART NO.	PART DESCRIPTION
1	1	8A01730-001	NOSE BUMPER
	1	8A01359-114	ANGLE-BUMPER ATTACH RT
	1	8A01359-115	ANGLE- BUMPER ATTACH LT
2	2	8A01156-027	GUSSET-NOSE BULKHEAD SIDE
	2	8A01156-028	GUSSET-NOSE BULKHEAD TOP
3	1	8A01339-037	ANGLE-TOP SKIN REINFORCEMENT-FWD
4	1	8A01361-013	ANGLE-TOP SKIN REINFORCEMENT-CENTER
5	1	8A01339-038	ANGLE-TOP SKIN REINFORCEMENT-AFT
	1	8A01156-104	SPACER, TOP DECK
6	1	8A01000-076	ASSEMBLY-NOSE BULKHEAD STATION #1
	1	8A01156-025	BULKHEAD
	2	6A01359-004	ANGLE
	12	MS21047L4	NUTPLATE
7	1	8A01000-077	ASSEMBLY-BULKHEAD STATION #2
	1	6A01158-006	BULKHEAD BOTTOM
	1	6A01359-007	ANGLE MAIN KEEL, LT
	1	6A01359-008	ANGLE MAIN KEEL, RT
	2	6A01359-009	ANGLE SISTER KEEL
	1	8A01005-092	BULKHEAD SIDE, RT
	1	8A01005-093	BULKHEAD SIDE, LT
8	1	8A01000-078	ASSEMBLY-BULKHEAD STATION #3
	1	6A01158-007	BULKHEAD BOTTOM
	1	8A01005-094	BULKHEAD TOP
	1	8A01359-056	ANGLE NOSE BOX, RT
	1	8A01359-057	ANGLE NOSE BOX, LT
	1	6A01359-010	ANGLE MAIN KEEL, RT
	1	6A01359-011	ANGLE MAIN KEEL, LT
	1	6A01359-012	ANGLE SISTER KEEL
	1	6A01359-013	ANGLE SISTER KEEL
9	1	8A01000-079	ASSEMBLY-BULKHEAD STATION #4
	1	6A01158-008	BULKHEAD BOTTOM
	1	8A01005-095	BULKHEAD SIDE, LT
	1	8A01005-096	BULKHEAD SIDE, RT
	1	6A01359-035	ANGLE MAIN KEEL, LT
	1	6A01359-036	ANGLE MAIN KEEL, RT
	2	6A01359-001	ANGLE SISTER KEEL
10	1	8A01000-080	ASSEMBLY-BULKHEAD STATION #5
	1	6A01158-009	BULKHEAD BOTTOM
	1	8A01005-097	BULKHEAD TOP
	1	6A01359-018	ANGLE MAIN KEEL, RT
	1	6A01359-019	ANGLE MAIN KEEL, LT

ITEM	QTY	PART NO.	PART DESCRIPTION
	1	6A01359-020	ANGLE SISTER KEEL
	1	6A01359-021	ANGLE SISTER KEEL
11	1	8A01000-081	ASSEMBLY-BULKHEAD STATION #6
	1	6A01158-010	BULKHEAD BOTTOM
	1	8A01005-098	BULKHEAD SIDE
	1	8A01005-099	BULKHEAD SIDE
	1	6A01359-002	ANGLE MAIN KEEL
	1	6A01359-003	ANGLE MAIN KEEL
	2	6A01359-001	ANGLE SISTER KEEL
12	1	8A01000-082	ASSEMBLY-BULKHEAD STATION #7
	1	6A01158-011	BULKHEAD BOTTOM #7, FWD
	1	6A01158-012	BULKHEAD BOTTOM #7, AFT
	1	8A01005-100	BULKHEAD SIDE, RT
	1	8A01005-101	BULKHEAD SIDE, LT
	1	6A01359-002	ANGLE MAIN KEEL
	1	6A01359-003	ANGLE MAIN KEEL
	2	6A01359-001	ANGLE SISTER KEEL
13	1	8A01000-083	ASSEMBLY-BULKHEAD STATION #8 LT.
	1	8A01000-180	ASSEMBLY-BULKHEAD STATION #8 RT.
	1	6A01158-014	BULKHEAD BOTTOM #8, AFT
	1	6A01158-013	BULKHEAD BOTTOM #8-1, FWD
	1	8A01005-102	BULKHEAD TOP
	1	8A01359-060	ANGLE SISTER KEEL
	1	8A01359-061	ANGLE SISTER KEEL
	1	8A01359-058	ANGLE MAIN KEEL, RT
	1	8A01359-059	ANGLE MAIN KEEL, LT
	1	8A01357-009	ANGLE PANEL, LT
	1	8A01357-010	ANGLE PANEL, RT
	2	8A01352-012	ANGLE BAGGAGE FLOOR
	1	8A01012-001	PANEL LEFT
	1	8A01012-002	PANEL RIGHT
14	1	8A01000-084	ASSEMBLY-FT. SPREADER BAR PANEL-RT.
	1	8A01012-004	PANEL
	1	8A01357-011	PANEL ARM
	1	8A01357-012	PANEL ARM
	1	8A01000-085	ASSEMBLY-FT. SPREADER BAR PANEL-LT.
	1	8A01012-003	PANEL
	1	8A01357-012	PANEL ARM
	1	8A01357-011	PANEL ARM
15	1	8A01000-086	ASSEMBLY-BULKHEAD STATION #9
	1	8A01158-131	BULKHEAD BOTTOM #9

PARTS MANUAL
8000 FLOATS ON DEHAVILLAND DHC-3 SINGLE OTTER

ITEM	QTY	PART NO.	PART DESCRIPTION
	1	8A01158-130	BULKHEAD BOTTOM #9-1
	1	8A01005-103	BULKHEAD SIDE
	1	8A01005-104	BULKHEAD SIDE
	1	6A01359-002	ANGLE MAIN KEEL
	1	6A01359-003	ANGLE MAIN KEEL
	2	6A01359-001	ANGLE SISTER KEEL
16	1	8A01000-087	ASSEMBLY-BULKHEAD STATION #10
	2	6A01158-017	BULKHEAD BOTTOM
	1	8A01005-105	BULKHEAD SIDE, LT
	1	8A01005-106	BULKHEAD SIDE, RT
	1	6A01359-002	ANGLE MAIN KEEL
	1	6A01359-003	ANGLE MAIN KEEL
	2	6A01359-001	ANGLE SISTER KEEL
17	1	8A01000-088	ASSEMBLY-BULKHEAD STATION #11
	2	8A01158-128	BULKHEAD BOTTOM
	1	8A01005-107	BULKHEAD TOP
	2	6A01359-004	ANGLE TOP RAIL
	2	8A01352-013	ANGLE BAGGAGE FLOOR
	1	6A01359-024	ANGLE MAIN KEEL, RT
	1	6A01359-025	ANGLE MAIN KEEL, LT
	1	8A01359-062	ANGLE SISTER KEEL
	1	8A01359-063	ANGLE SISTER KEEL
18	1	8A01000-089	ASSEMBLY-BULKHEAD STATION #12
	2	8A01158-128	BULKHEAD BOTTOM
	1	8A01005-108	BULKHEAD SIDE, RT
	1	8A01005-109	BULKHEAD SIDE, LT
	1	8A01359-064	ANGLE MAIN KEEL
	1	8A01359-065	ANGLE MAIN KEEL
	2	6A01359-001	ANGLE SISTER KEEL
19	1	8A01000-089	ASSEMBLY-BULKHEAD STATION #13
	2	8A01158-128	BULKHEAD BOTTOM
	1	8A01005-108	BULKHEAD SIDE, RT
	1	8A01005-109	BULKHEAD SIDE, LT
	1	8A01359-064	ANGLE MAIN KEEL
	1	8A01359-065	ANGLE MAIN KEEL
	2	6A01359-001	ANGLE SISTER KEEL
20	1	8A01000-090	ASSEMBLY-BULKHEAD STATION #14
	2	8A01158-128	BULKHEAD BOTTOM
	1	8A01005-241	BULKHEAD TOP
	1	6A01359-024	ANGLE MAIN KEEL, RT
	1	6A01359-025	ANGLE MAIN KEEL, LT

ITEM	QTY	PART NO.	PART DESCRIPTION
	1	8A01359-062	ANGLE SISTER KEEL
	1	8A01359-063	ANGLE SISTER KEEL
	1	8A01359-090	ANGLE HORZ. UPPER
	1	8A01359-091	ANGLE HORZ. LOWER
	1	8A01348-004	ANGLE TUNNEL
	1	8A01008-0	COVER ACCESS
	2	6A01359-004	ANGLE TOP RAIL
21	1	8A01000-091	ASSEMBLY-BULKHEAD STATION #15
	2	8A01158-128	BULKHEAD BOTTOM
	1	8A01005-110	BULKHEAD SIDE, RT
	1	8A01005-111	BULKHEAD SIDE, LT
	1	8A01359-064	ANGLE MAIN KEEL
	1	8A01359-065	ANGLE MAIN KEEL
	1	8A01359-077	ANGLE CARRY THRU INBD.
	1	8A01359-078	ANGLE CARRY THRU INBD.
	1	8A01359-079	ANGLE CARRY THRU OTBD.
	1	8A01359-080	ANGLE CARRY THRU OTBD.
	1	8A01359-066	ANGLE HORZ.
22	1	8A01000-092	ASSEMBLY-BULKHEAD STATION #16
	2	8A01158-128	BULKHEAD BOTTOM
	1	8A01005-112	BULKHEAD TOP
	1	8A01357-014	ANGLE SISTER KEEL
	1	8A01357-015	ANGLE SISTER KEEL
	1	6A01359-024	ANGLE MAIN KEEL
	1	6A01359-025	ANGLE MAIN KEEL
	2	8A01357-013	ANGLE TRUNION HORZ.
	1	8A01359-067	ANGLE HORZ. UPPER
	1	8A01359-068	ANGLE HORZ. LOWER
	1	8A01008-096	ANGLE AFTERBODY ATTACH
	1	8A01008-097	ANGLE AFTERBODY ATTACH
	2	4A01008-107	DOUBLER BRAKE LINE
	2	8A04211-001	TRUNION
	2	8A01214-002	ANGLE BOTTOM FLANGE
	8	AN4-11A	BOLT
	16	NAS1149D0463J	WASHER
	8	MS21045-4	NUT
23 LT.	1	8A01000-105	ASSEMBLY-MIDDLE STRUT PANEL-LEFT
	1	8A01012-007	PANEL, STRUT, CENTER REAR, RT
	1	8A01012-010	PANEL, STRUT, REAR FRONT, RT
	1	8A01012-011	ARM PANEL, CENTER, LT
	1	8A01012-012	ARM PANEL

PARTS MANUAL
8000 FLOATS ON DEHAVILLAND DHC-3 SINGLE OTTER

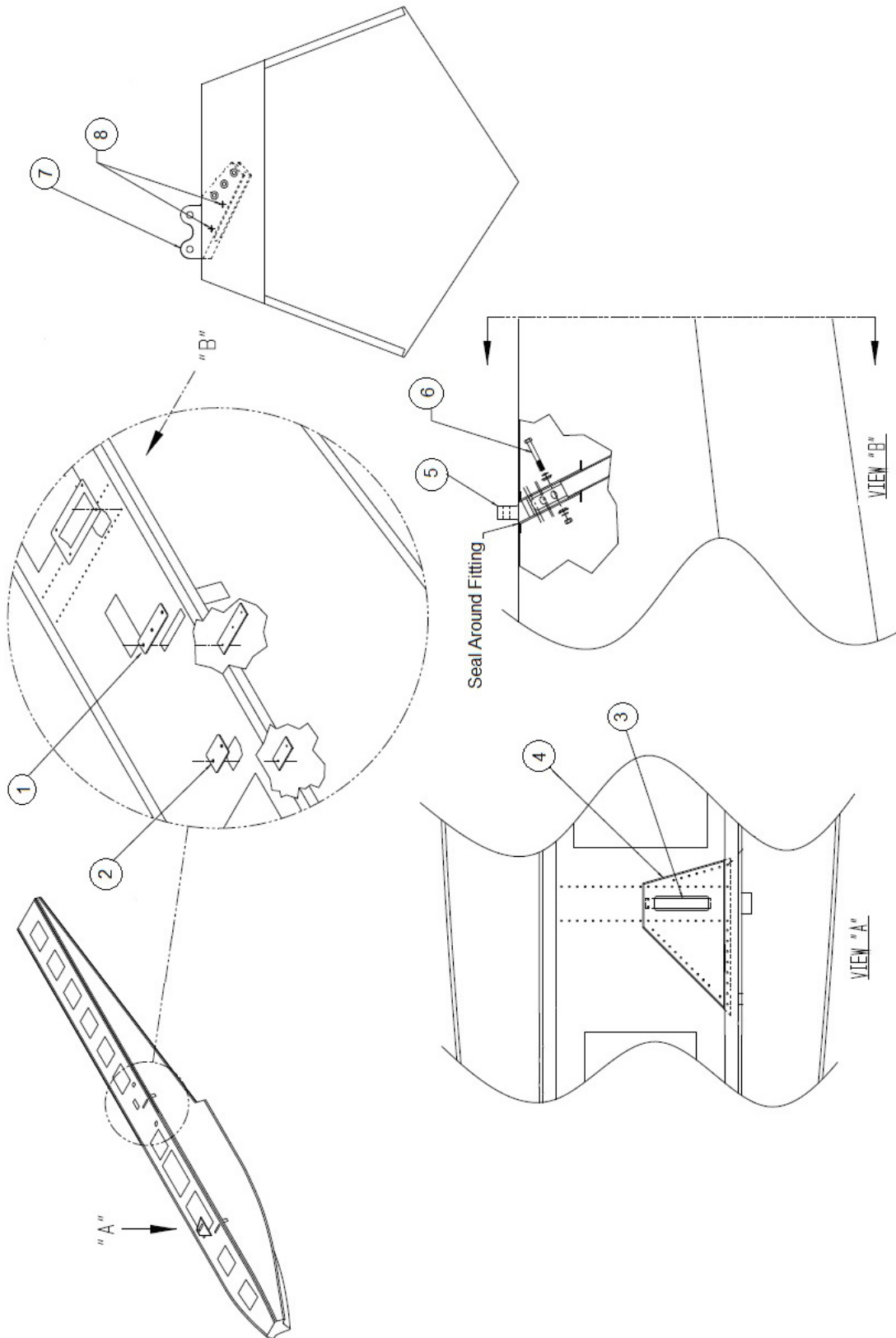
ITEM	QTY	PART NO.	PART DESCRIPTION
23 RT.	1	8A01000-104	ASSEMBLY-MIDDLE STRUT PANEL-RIGHT
	1	8A01012-008	PANEL, STRUT, CENTER FRONT, RT
	1	8A01012-009	PANEL, STRUT, REAR RT
	1	8A01012-011	ARM PANEL, CENTER LT
	1	8A01012-012	ARM PANEL
24 LT.	1	8A01000-093	ASSEMBLY-BULKHEAD STATION #17 LEFT
	1	8A01008-025	BULKHEAD TOP LEFT
	1	8A01002-041	PANEL LOWER
	1	8A01426-003	ANGLE SLIDE TUBE, LT
	1	8A01426-004	ANGLE SLIDE TUBE, RT
	1	8A01359-069	ANGLE CARRY THRU STRAP
	1	8A01359-070	ANGLE CARRT THRU STRAP
	1	8A01359-071	ANGLE HORZ.
	1	8A01359-072	ANGLE HORZ. WHEEL WELL, RT
	1	8A01359-073	ANGLE HORZ. WHEEL WELL, LT
	1	8A01361-023	ANGLE SISTER KEEL
	1	8A01361-024	ANGLE SISTER KEEL
24 RT.	1	8A01000-228	ASSEMBLY-BULKHEAD STATION #17 RIGHT
	1	8A01008-130	BULKHEAD TOP RIGHT
	1	8A01002-041	PANEL LOWER
	1	8A01426-003	ANGLE SLIDE TUBE, LT
	1	8A01426-004	ANGLE SLIDE TUBE, RT
	1	8A01359-069	ANGLE CARRY THRU STRAP
	1	8A01359-070	ANGLE CARRT THRU STRAP
	1	8A01359-071	ANGLE HORZ.
	1	8A01359-072	ANGLE HORZ. WHEEL WELL, RT
	1	8A01359-073	ANGLE HORZ. WHEEL WELL, LT
	1	8A01361-023	ANGLE SISTER KEEL
	1	8A01361-024	ANGLE SISTER KEEL
25 RT.	1	8A01000-106	ASSEMBLY-AFT.STRUT PANEL-RIGHT
	1	8A01012-007	PANEL
	1	8A01012-010	PANEL
	1	8A01012-013	ARM PANEL
	1	8A01012-014	ARM PANEL
25 LT.	1	8A01000-107	ASSEMBLY-AFT.STRUT PANEL-LEFT
	1	8A01012-008	PANEL
	1	8A01012-009	PANEL
	1	8A01012-013	ARM PANEL
	1	8A01012-014	ARM PANEL
26 RT.	1	8A01000-094	ASSEMBLY-BULKHEAD STATION #18 RIGHT
	1	8A01002-042	BULKHEAD BODY RIGHT

ITEM	QTY	PART NO.	PART DESCRIPTION
	6	6A01359-004	ANGLE ATTACH
26 LT.	1	8A01000-213	ASSEMBLY-BULKHEAD STATION #18 LEFT
	1	8A01002-107	BULKHEAD BODY LEFT
	6	6A01359-004	ANGLE ATTACH
27 LT.	1	8A01000-095	ASSEMBLY-BULKHEAD STATION #19 LEFT
	1	8A01002-043	BULKHEAD BODY LEFT
	4	6A01359-004	ANGLE ATTACH
27 RT.	1	8A01000-212	ASSEMBLY-BULKHEAD STATION #19 RIGHT
	1	8A01002-104	BULKHEAD BODY RIGHT
	4	6A01359-004	ANGLE ATTACH
28 RT.	1	8A01000-096	ASSEMBLY-BULKHEAD STATION #20 RIGHT
	1	8A01002-044	BULKHEAD BODY RIGHT
	1	8A01156-074	DOUBLER CABLE
	2	3A01151-010	BRACKET PULLEY
	4	6A01359-004	ANGLE ATTACH
	1	MS24665-136	COTTER PIN
28 LT.	1	8A01000-179	ASSEMBLY-BULKHEAD STATION #20 LEFT
	1	8A01002-103	BULKHEAD BODY LEFT
	1	8A01156-074	DOUBLER CABLE
	2	3A01151-010	BRACKET PULLEY
	4	6A01359-004	ANGLE ATTACH
	1	MS24665-136	COTTER PIN
29 LT.	1	8A01000-097	ASSEMBLY-BULKHEAD STATION #21 LEFT
	1	8A01002-045	BULKHEAD BODY, LT
	4	6A01359-004	ANGLE ATTACH
29 RT.	1	8A01000-214	ASSEMBLY-BULKHEAD STATION 21 RIGHT
	1	8A01002-106	BULKHEAD BODY, RT
	4	6A01359-004	ANGLE ATTACH
30 RT.	1	8A01000-098	ASSEMBLY-BULKHEAD STATION #22 RIGHT
	1	8A01002-046	BULKHEAD BODY RIGHT
	4	6A01359-004	ANGLE ATTACH
	2	3A01151-010	BRACKET PULLEY
	1	8A01003-032	DOUBLER PULLEY BRACKET, RT
	1	MS24665-136	COTTER PIN
30 LT.	1	8A01000-181	ASSEMBLY-BULKHEAD STATION #22 LEFT
	1	8A01002-105	BULKHEAD BODY LEFT
	4	6A01359-004	ANGLE ATTACH
	2	3A01151-010	BRACKET PULLEY
	1	8A01003-031	DOUBLER PULLEY BRACKET, LT
	1	MS24665-136	COTTER PIN
31	1	8A01000-099	ASSEMBLY-BULKHEAD STATION #23

PARTS MANUAL
8000 FLOATS ON DEHAVILLAND DHC-3 SINGLE OTTER

ITEM	QTY	PART NO.	PART DESCRIPTION
	1	8A01002-047	BULKHEAD BODY
	4	6A01359-004	ANGLE ATTACH
	1	3A01437-001	CASTING PIVOT
	1	8A01361-021	ANGLE AFTERBODY, LT
	1	8A01361-022	ANGLE AFTERBODY, RT
	1	6A01352-004	ANGLE TOP REINFORCEMENT
	1	8A01359-074	ANGLE HORZ.
32	1	8A01000-101	PANEL ASSY, SPREADER BAR
	1	8A01012-006	PANEL, SPREADER BAR, REAR RT
	1	8A01357-016	ANGLE, SPREADER BAR PANEL, AFT
	1	8A01357-017	ANGLE, SPREADER BAR PANEL, AFT

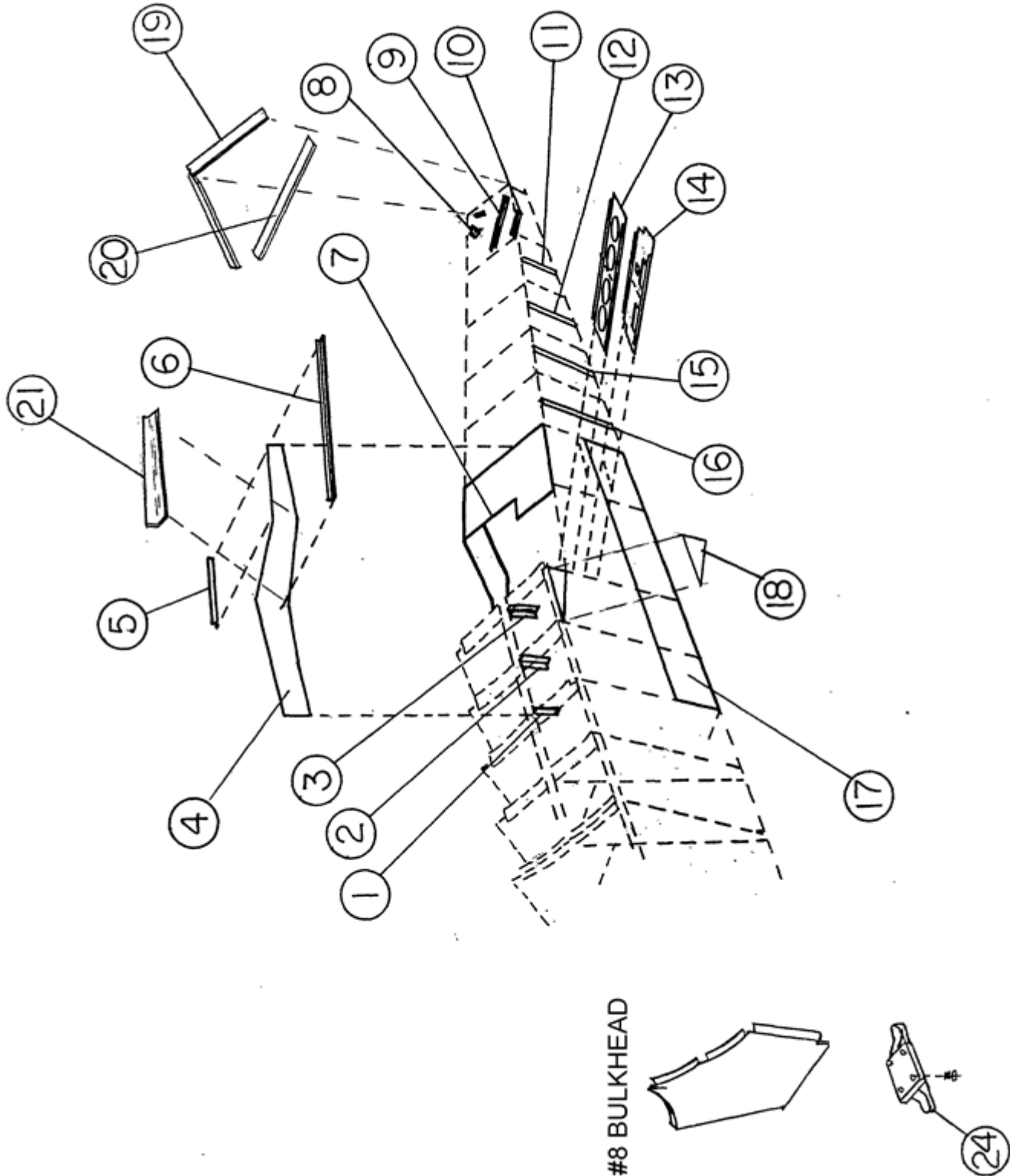
CONVERSION HULL - SERVICE KIT #20



PARTS MANUAL
8000 FLOATS ON DEHAVILLAND DHC-3 SINGLE OTTER

ITEM	QTY	PART NO.	PART DESCRIPTION
1	1	9A03197-010	COVER, SPREADER BAR AFT
	1	9A03163-060	SPACER COVER; SPREADER BAR AFT.
2	1	9A02218-001	COVER, STRUT
	1	9A02163-059	SPACER
3	1	9A02111-001	FITTING, STRUT FLOAT FWD.
4	1	9A01001-045	SUPPORT, FRONT DECK FITTING, STRUT
	1	9A01001-046	SUPPORT, FRONT DECK FITTING, STRUT
5	1	9A02113-002	FITTING, FLOAT, REAR STRUT, RH
6	3	AN6-26A	BOLT
	6	8A02095-001	BUSHING, STRUT
	6	NAS1149F0663P	WASHER
	3	MS21044N6	NUT
7	1	9A02113-001	FITTING, FLOAT, REAR STRUT, LH
	1	9A02113-002	FITTING, FLOAT, REAR STRUT, RH
8	2	AN6-24A	BOLT
	4	NAS1149F0663P	WASHER
	2	MS21044N6	NUT

SKIN DOUBLERS, STIFFENERS, STRUCTURAL SUPPORT



PARTS MANUAL
8000 FLOATS ON DEHAVILLAND DHC-3 SINGLE OTTER

ITEM	QTY	PART NO.	PART DESCRIPTION
1	2	8A01156-034	SPACER
2	1	8A01359-080	ANGLE, CARRY THRU, OTBD, RT
	1	8A01359-079	ANGLE, CARRY THRU, OTBD, LT
	1	8A01359-077	ANGLE, CARRY THRU, INBD, LT
	1	8A01359-078	ANGLE, CARRY THRU, INBD, RT
3	1	8A01359-081	ANGLE, CARRY THRU, LT
	1	8A01359-082	ANGLE, CARRY THRU, RT
4	2	8A01001-006	CARRY THRU STRAP
5	2	6A01008-070	ANGLE, STRAP-ANGLE, CARRY THRU
6	1	8A01008-026	ANGLE-CARRYTHRU TO SKIN OUTBOARD-RIGHT
	1	8A01008-027	ANGLE-CARRYTHRU TO SKIN INBOARD-LEFT
7	1	8A01008-032	DOUBLER, AFTERBODY SKIN
8	1	8A01002-049	GUSSET, LT
	1	8A01002-050	GUSSET, RT
	2	8A01163-025	SPACER
9	1	8A01359-074	ANGLE, HORIZONTAL, BULKHEAD #23
10	1	6A01352-004	ANGLE, TOP SKIN REINFORCEMENT
11	2	8A01151-058	STIFFENER, SIDE SKIN
12	2	8A01151-057	STIFFENER, SIDE SKIN
13	1	8A01000-109	ASSY, BRACE PANEL, LOWER
14	1	8A01000-108	ASSY, BRACE PANEL, UPPER
15	2	8A01151-056	STIFFENER, SIDE SKIN
16	2	8A01151-055	STIFFENER, SIDE SKIN
17	1	8A01008-033	DOUBLER, SIDE SKIN, OTBD, LT
	1	8A01008-034	DOUBLER, SIDE SKIN, OTBD, RT
	1	8A01008-035	DOUBLER, SIDE SKIN, INBD, LT
	1	8A01008-036	DOUBLER, SIDE SKIN, INBD, RT
18	2	8A01002-100	DOUBLER, STEP SIDE
19	2	8A01156-036	SPACER, SKIN, AFT
20	1	8A01156-035	SPACER, SKIN, TOP
21	1	8A01008-030	ANGLE, CARRY THRU STRAP, RT
	1	8A01008-031	ANGLE, CARRY THRU STRAP, LT
22	1	8A01156-031	REINFORCEMENT, REAR CLEAT
23	1	8A01156-033	SPACER, CLEAT REINFORCEMENT, AFT
24	2	6A01213-003	CLEAT, TIE DOWN
	4	AN4-7A	BOLT
	8	NAS1149F0416	WASHER
	4	MS21044N4	NUT
25	2	8A01008-136	FLOOR, BAGGAGE COMP., AFT, RT
	2	8A01008-137	FLOOR, BAGGAGE COMP., FWD, LT

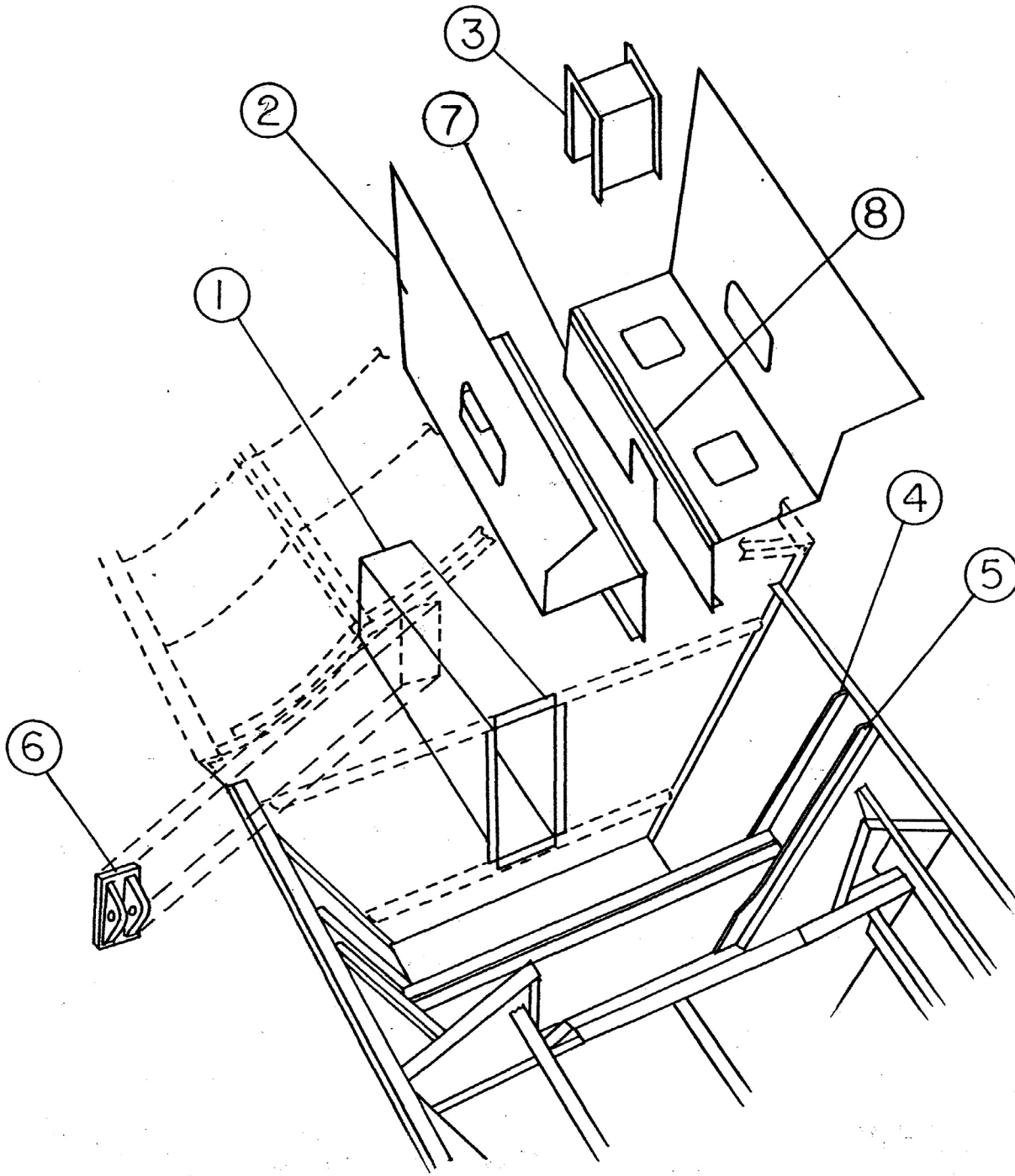
THIS PAGE INTENTIONALLY LEFT BLANK

SECTION 2 WHEEL WELL ASSEMBLY

CONTENTS

WHEEL WELL AREA.....24

WHEEL WELL AREA



PARTS MANUAL
8000 FLOATS ON DEHAVILLAND DHC-3 SINGLE OTTER

ITEM	QTY	PART NO.	PART DESCRIPTION
1	1	8A01000-110	TUNNEL ASSY.
	1	6A01201-001	FITTING, FWD, SLIDE TUBE
	1	6A01005-054	COVER, TUNNEL
	A/R	AN526-632R4	SCREW, COVER ATTACH
2 LT.	1	8A01000-111	ASSY, WHEEL WELL HALF, LT (UPPER)
	1	8A01005-115	WHEEL WELL HALF, LT
	1	6A01156-014	COVER-RING
	2	6A01156-013	COVER-RING
2 RT.	1	8A01000-112	ASSEMBLY-WHEEL WELL HALF-RIGHT (UPPER)
	1	8A01005-116	WHEEL WELL HALF, RT
	1	6A01156-014	COVER-RING
	2	6A01156-013	COVER-RING
	1	6A01158-151	COVER-ACCESS (5"X 8")
	A/R	AN526C632R4	SCREW-COVER ATTACH
	2	6A01158-152	COVER-ACCESS (5"X 5")
3	1	8A01158-045	COVER, SPREADER BAR PANEL
4	1	8A01000-101	ASSY, SPREADER BAR PANEL, FWD, LT
	1	8A01000-100	ASSY, SPREADER BAR PANEL, FWD, RT
5	1	8A01000-103	ASSY, SPREADER BAR PANEL, REAR, AFT, LT
	1	8A01000-102	ASSY, SPREADER BAR PANEL, REAR, AFT, RT
6	2	8A04211-001	TRUNION-MAIN GEAR
	4	AN4-11A	BOLT-ATTACH
	8	NAS1149D0463J	WASHER
	4	MS21044N4	NUT
7	1	8A01000-127	ASSY, WHEEL WELL HALF LT. LOWER
	1	8A01000-128	ASSY, WHEEL WELL HALF RT. LOWER
8	1	8A01340-026	ANGLE WHELL WELL
	1	8A01340-027	ANGLE WHEEL WELL

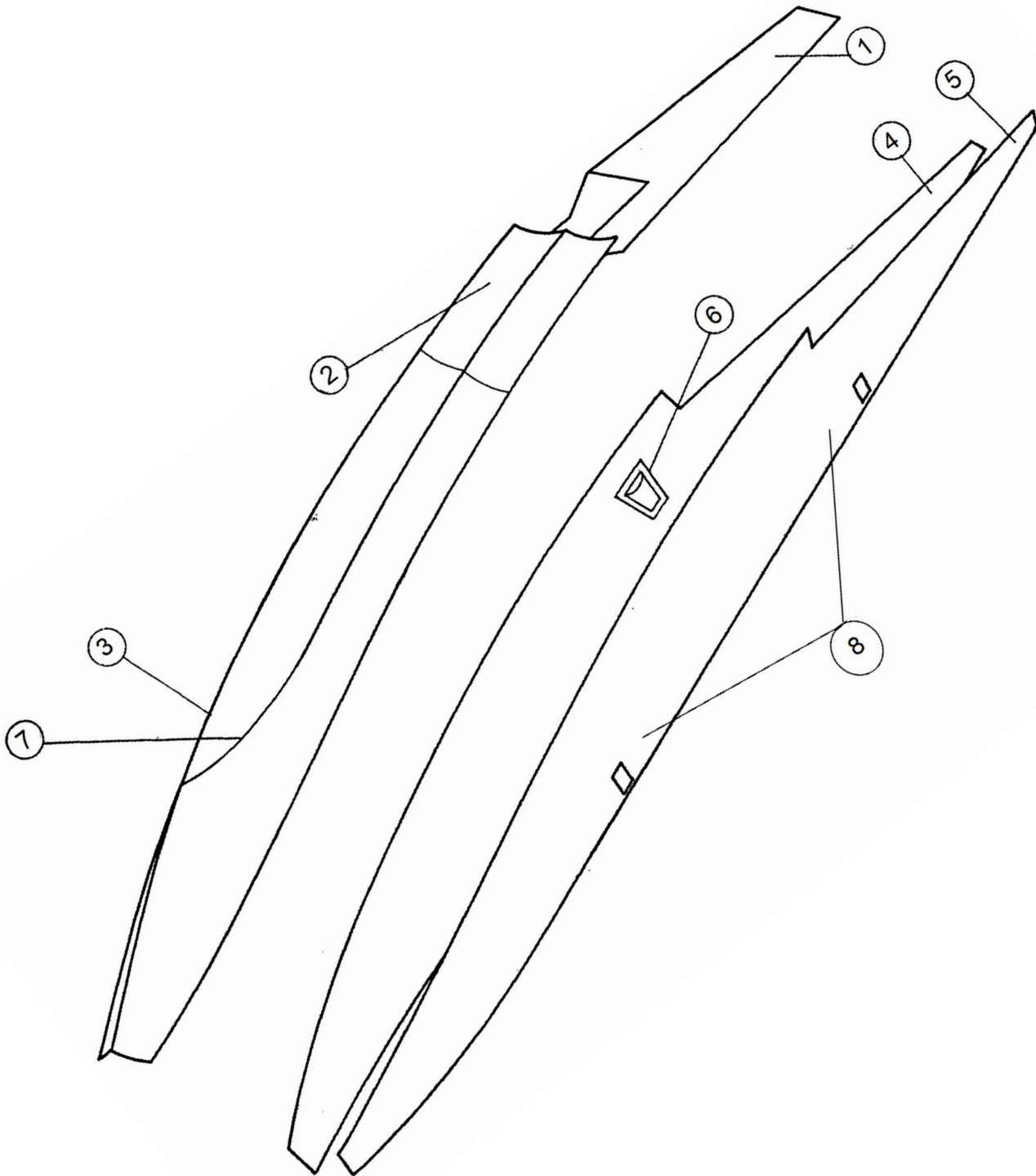
THIS PAGE INTENTIONALLY LEFT BLANK

SECTION 3 SKINS

CONTENTS

BOTTOM AND SIDE SKINS.....	28
----------------------------	----

BOTTOM AND SIDE SKINS



PARTS MANUAL
8000 FLOATS ON DEHAVILLAND DHC-3 SINGLE OTTER

ITEM	QTY	PART NO.	PART DESCRIPTION
1	1	8A01158-138	SKIN-AFT, RT
	1	8A01158-139	SKIN-AFT, LT
2	2	8A01002-048	SPLICE – BOTTOM SKIN
3	1	8A01151-059	BOTTOM SKIN, LT
	1	8A01151-060	BOTTOM SKIN, RT
4	1	8A01158-024	SKIN, SIDE OUTBOARD, RT
	1	8A01158-023	SKIN, SIDE OUTBOARD, LT
5	1	8A01158-022	SKIN, SIDE INBOARD, RT
	1	8A01158-021	SKIN, SIDE INBOARD, LT
6	2	3A01000-005	STEP – BOARDING
7	1	8A01002-096	DOUBLER, BOTTOM SKIN, RT
	1	8A01002-095	DOUBLER, BOTTOM SKIN, LT
8	2	1002114	PADDLE BRACKET
	2	3A01503-001	CLIP
	1	6A01156-058	STOP, RT
	1	6A01156-059	STOP, LH

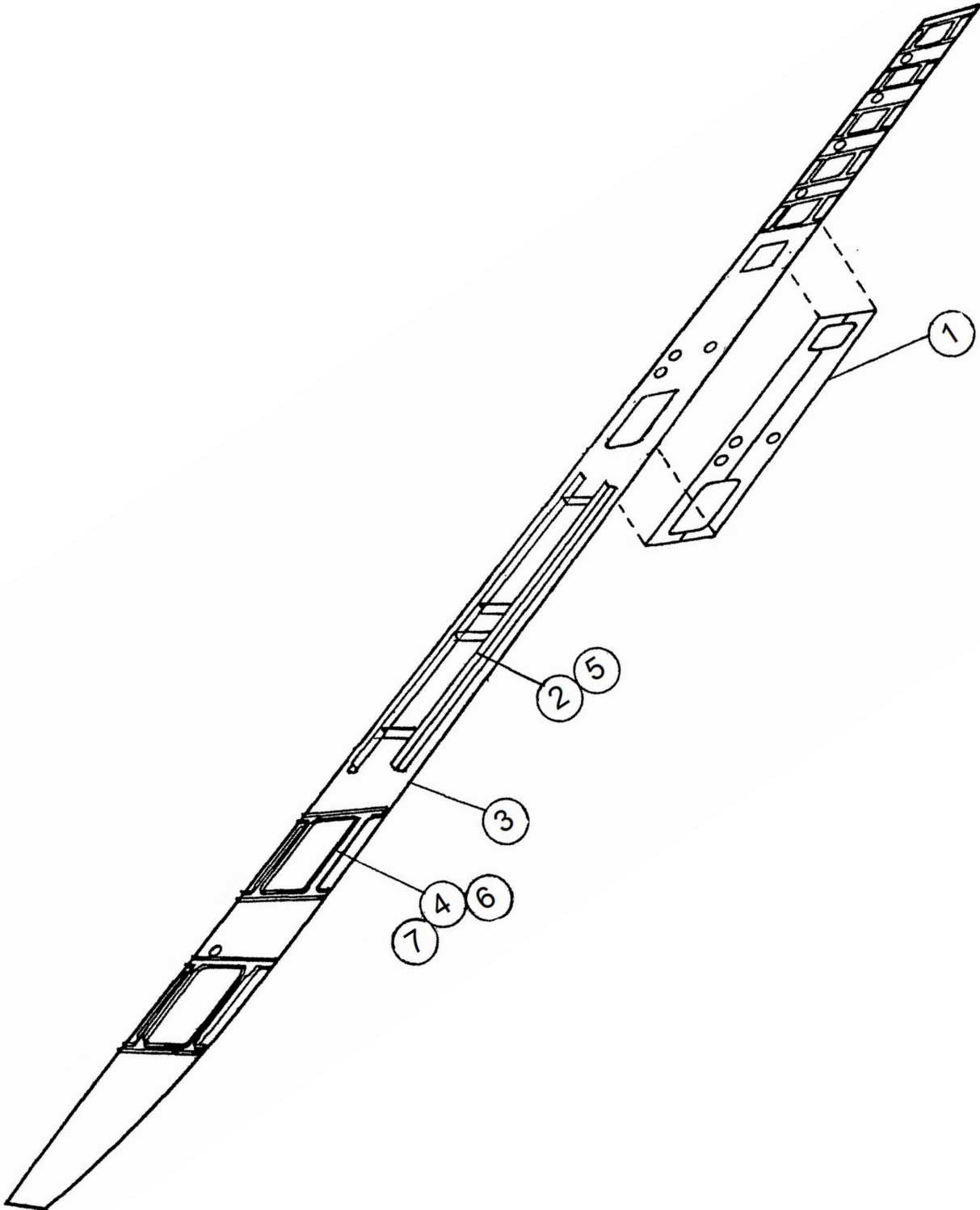
THIS PAGE INTENTIONALLY LEFT BLANK

SECTION 4 TOP DECK ASSEMBLY

CONTENTS

TOP DECK.....32

TOP DECK



PARTS MANUAL
8000 FLOATS ON DEHAVILLAND DHC-3 SINGLE OTTER

ITEM	QTY	PART NO.	PART DESCRIPTION
1	1	8A01001-009	DOUBLER-TOP SKIN, INBOARD, LT
	1	8A01001-011	DOUBLER-TOP SKIN, OUTBOARD, LT
	1	8A01001-008	DOUBLER-TOP SKIN, INBOARD, RT
2	1	8A01001-010	DOUBLER, TOP SKIN, OUTBOARD, RT
	1	8A01348-006	ANGLE, BAGGAGE COMPARTMENT, INBOARD
	1	8A01348-005	ANGLE, BAGGAGE COMPARTMENT, INBOARD
	4	8A01352-014	ANGLE, TOP SKIN, BAGGAGE COMPARTMENT
3	1	8A01158-026	SKIN, TOP, RT
	1	8A01158-025	SKIN, TOP, LT
4	7	8A01000-113	ASSY, REINFORCEMENT, INSPECTION COVER
	14	8A01352-019	ANGLE, COVER REINFORCEMENT
5	2	8A01000-115	ASSY, BAGGAGE COVER (PRE SEPT. 1989)
	2	6A01000-166	ASSY, BAGGAGE LATCH, SOUTHCO (PLASTIC)
	2	8A01000-126	ASSY, BAGGAGE COVER (AFTER SEPT. 1989)
	1	8A01740-002	HINGE TOP
	1	8A01741-002	HINGE BOTTOM
	2.06'	1002186	HINGE PIN
	2	3A01525-003	SPRING LOCK
	2	3A01273-004	LOCK INSERT
	2	3A01702-004	LOCK CATCH
	2	1002663	RING LOCK OPENING
	2	3A01206-001	BLOCK RETAINER
	1	1001571	GASKET
	18	01692-0410	POP RIVETS
	2	8A01004-023	STIFFENER, BAG COVER, VERT
	1	8A01004-024	STIFFENER, BAGGAGE, FWD
	2	8A01004-069	STIFFENER, BAGGAGE, CENTER & REAR
	1	8A01162-003	COVER, BAGGAGE
	2	10/32 X 1/2 SS	SCREW, BAGGAGE COVER
6 SM.	1	8A01000-114	ASSEMBLY-INSPECTION COVER (SMALL)
	1	8A01567-006	COVER SEAL
	1	8A01163-005	COVER, INSPECTION
	2	8A01340-021	ANGLE, INSPECTION COVER
6 LG.	1	8A01000-122	INSPECTION COVER ASSEMBLY (LARGE)
	1	8A01567-007	INSPECTION COVER GASKETS
	1	8A01163-006	COVER, INSPECTION
	2	3A01340-014	ANGLE, COVER MED. REINFORCEMENT
7	A/R	1002481	TINNERMAN NUT WITH TAPE APPLIED

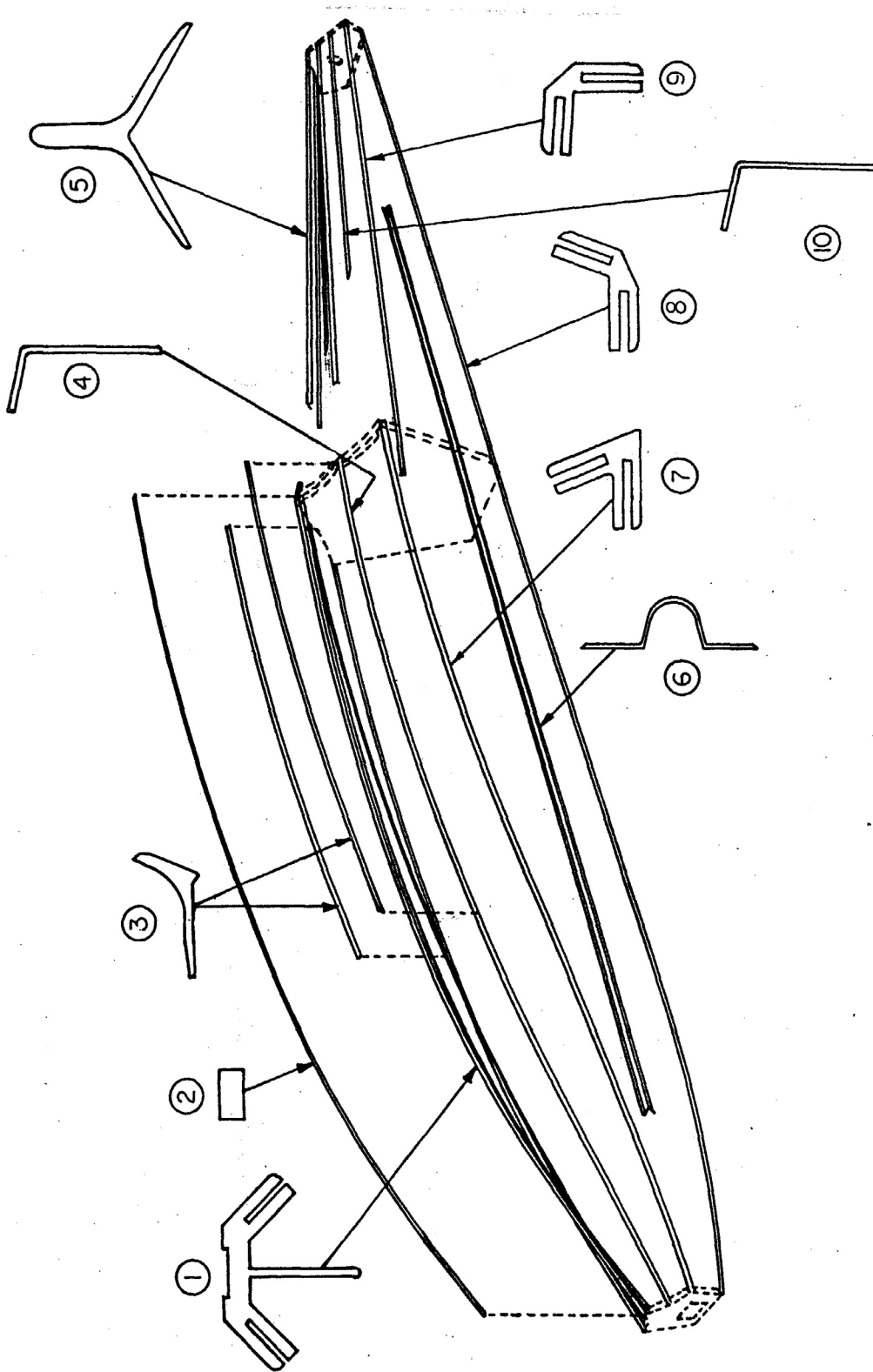
THIS PAGE INTENTIONALLY LEFT BLANK

SECTION 5 EXTRUSIONS

CONTENTS

HULL EXTRUSIONS.....	36
----------------------	----

HULL EXTRUSIONS



PARTS MANUAL
8000 FLOATS ON DEHAVILLAND DHC-3 SINGLE OTTER

ITEM	QTY	PART NO.	PART DESCRIPTION
1	1	8A01354-005	KEEL-MAIN
2	1	8A01200-003	WEAR STRIP
	2	MS24693S50	SCREW-ATTACH
	1	1838 B/A	GLUE KIT
3	1	8A01342-005	SISTER KEEL, OUTER, LT
	1	8A01342-006	SISTER KEEL, OUTER, RT
4	1	8A01361-014	SISTER KEEL, INNER, RT
	1	8A01361-015	SISTER KEEL, INNER, LT
5	1	8A01347-005	KEEL, AFT
6	1	8A01353-002	STIFFENER, SIDE SKIN, RT
	1	8A01353-003	STIFFENER, SIDE SKIN, LT
7	1	8A01351-005	CHINE, FWD, LT
	1	8A01351-006	CHINE, FWD, RT
8	1	8A01366-005	GUNWALL, LT
	1	8A01366-006	GUNWALL, RT
9	1	8A01363-005	CHINE, AFT. LT.
	1	8A01363-006	CHINE, AFT. RT.
10	1	8A01361-018	SISTER KEEL, INBD, AFT, RT
	1	8A01361-019	SISTER KEEL, INDB, AFT, LT
	1	8A01361-017	SISTER KEEL, OTBD, AFT, LT
	1	8A01361-016	SISTER KEEL, OTBD, AFT, RT

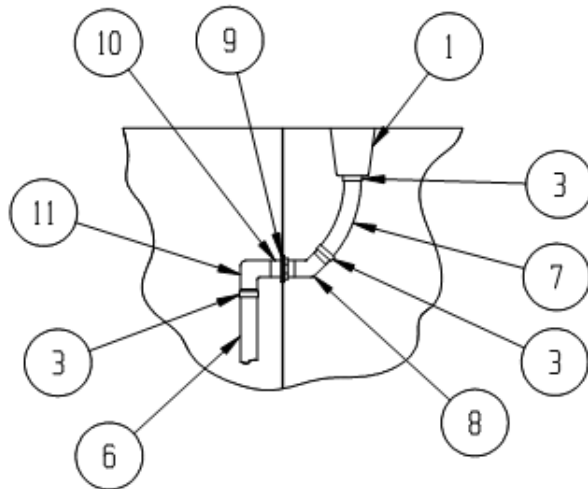
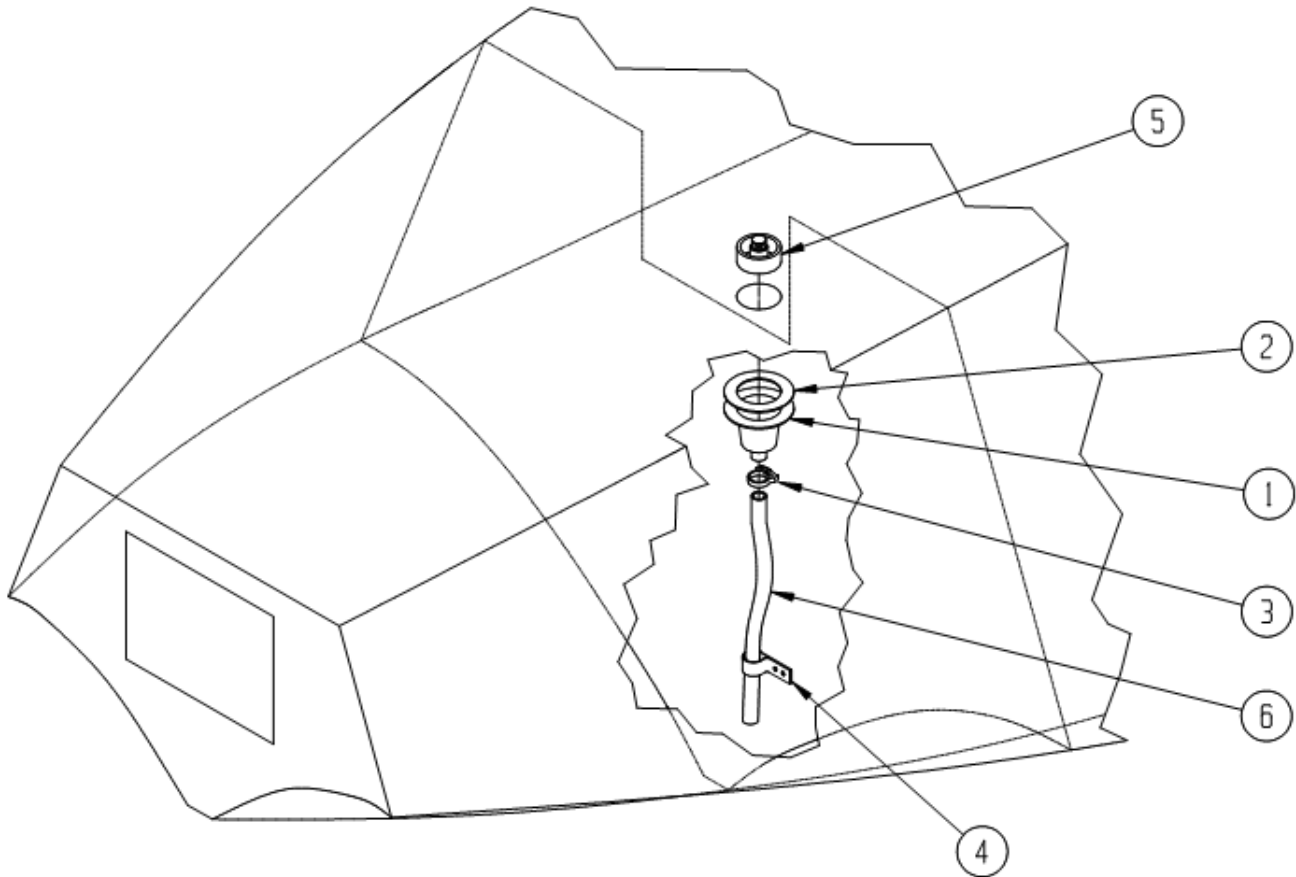
THIS PAGE INTENTIONALLY LEFT BLANK

SECTION 6 PUMPER TUBE INSTALLATION

CONTENTS

PUMPER TUBE.....	40
------------------	----

PUMPER TUBE



BULKHEAD #11 & #18

PARTS MANUAL
8000 FLOATS ON DEHAVILLAND DHC-3 SINGLE OTTER

ITEM	QTY	PART NO.	PART DESCRIPTION
1	1	1011004	ASSEMBLY, CUP, PUMPOUT, DUCKBILL
	1	4A01749-001	PUMP-OUT CUP
	1	1011808	RETAINER, VALVE, DUCKBILL, PUMPOUT PLUG
2	1	3A01158-005	RING, REINFORCEMENT (PLASTIC CUPS ONLY)
	A/R	AN470A4-5	RIVETS (SOFT) (PLASTIC CUPS ONLY)
3	1	57134	CLAMP, PLASTIC, WHITE
4	1	3A01158-003	CLAMP, PUMP OUT TUBE
5		1011870	VALVE, DUCKBILL (NEW STYLE)
	1	2111	STOPPER, PUMPER TUBE (OLD STYLE)
6	1	8A01618-020	PUMPER TUBE, STN #5, 30"
	1	8A01618-021	PUMPER TUBE, STN #8, 36.5"
	1	8A01618-022	PUMPER TUBE, STN #11, 30.75" FRONT
	1	8A01618-023	PUMPER TUBE, STN #11, 59" BACK
	1	8A01618-024	PUMPER TUBE, STN #16/17, 37" FRONT
	2	8A01618-025	PUMPER TUBE, STN W/W, 28.5"
	1	8S01618-032	PUMPER TUBE, STN #16, 47.25" (USE IN PLACE OF -025 ABOVE)
	1	8A01618-027	PUMPER TUBE, STN #18, 26.5"
	1	8A01618-028	PUMPER TUBE, STN #19, 23"
	1	8A01618-029	PUMPER TUBE, STN #20, 19.5"
	1	8A01618-030	PUMPER TUBE, STN #21, 16.5"
	1	8A01618-031	PUMPER TUBE, STN #22, 12.5"
7	2	9"	GARDEN HOSE
8	2	½" PVC	45° ELBOW
9	2	MS35489-19	GROMMET
10	2	1 3/8"	½" PVC
11	2	½" PVC	90° ELBOW (ENOUGH FOR EACH FLOAT STN 7-10)

THIS PAGE INTENTIONALLY LEFT BLANK

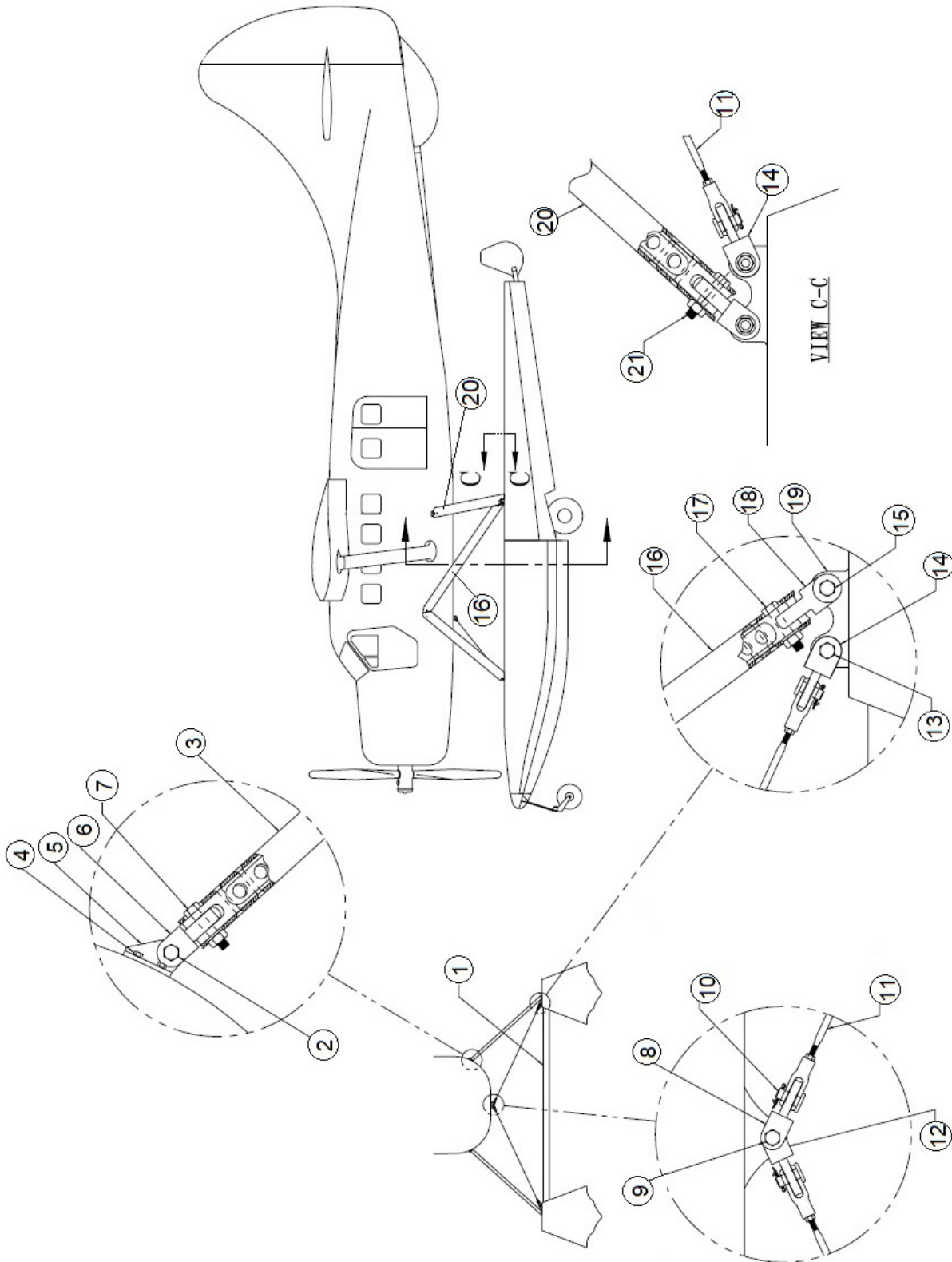
SECTION 7

STRUTS, SPREADER BARS, AND STEPS

CONTENTS

STRUTS AND DRAG WIRES (AFT)	44
STRUTS AND DRAG WIRES (FWD).....	47
FWD DRAG WIRES SUPPORT	50
FUSELAGE STEP ASSEMBLY	52

STRUTS AND DRAG WIRES (AFT)

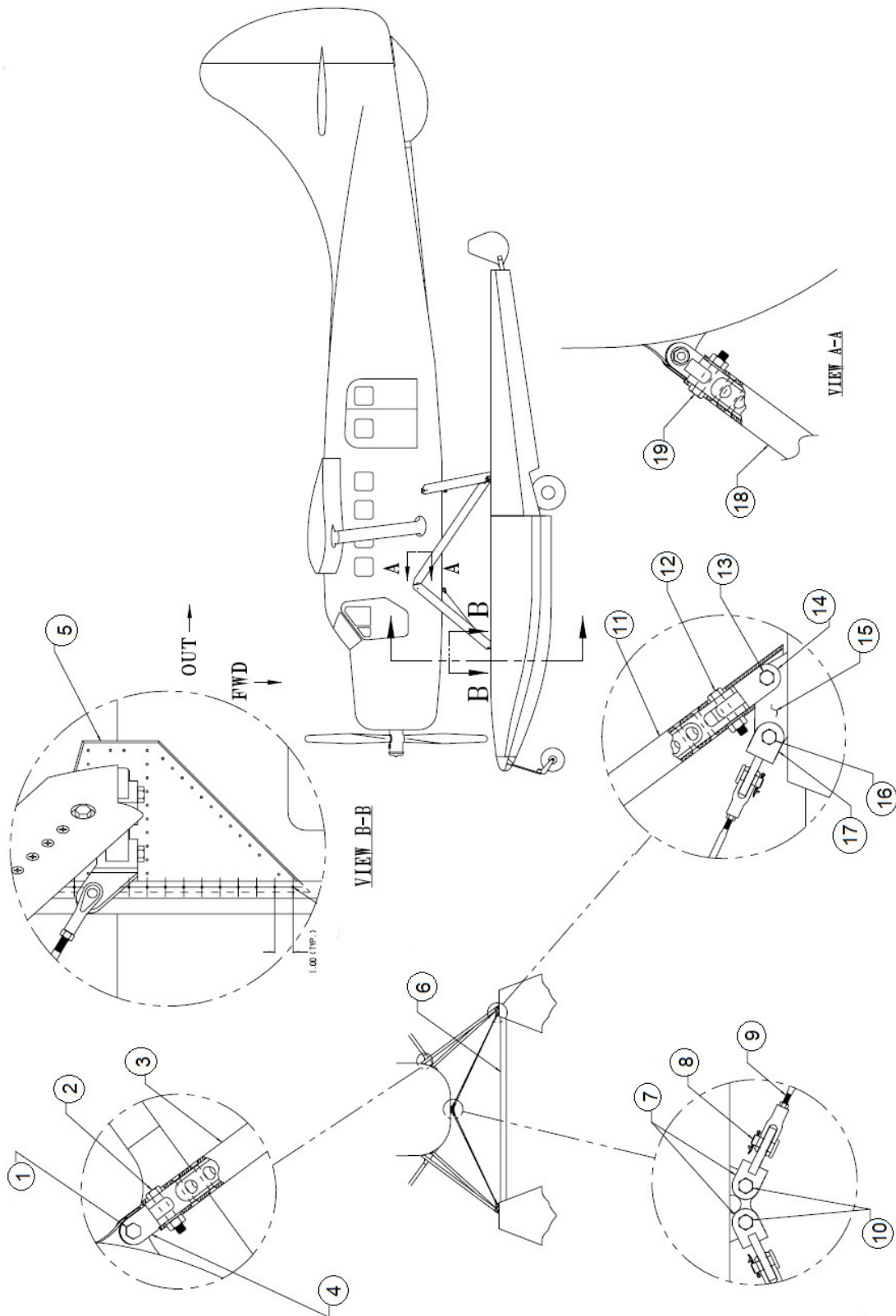


PARTS MANUAL
8000 FLOATS ON DEHAVILLAND DHC-3 SINGLE OTTER

ITEM	QTY	PART NO.	PART DESCRIPTION
1	1	9A03000-019	ASSEMBLY, SPREADER BAR, REAR
	6	AN8-32A	BOLT, 1/2-20 THREAD, 2-9/16" GRIP, 3-11/32" LENGTH
	2	AN8-34A	BOLT, 1/2-20 THREAD, 2-13/16" GRIP, 3-19/32" LENGTH
	8	NAS1149F0863P	WASHER
	8	MS21044N8	NUT
2	2	AN10-25A	BOLT
	2	NAS11491063P	WASHER
	2	MS21044N10	NUT
3	2	9A02000-122	ASSY, REAR STRUT
4	8	AN5-6A	BOLT
	8	NAS1149F0563P	WASHER
5	2	9A02000-108	ASSY, FITTING, REAR STRUT, FUSELAGE
6	2	9A02059-008	FITTING, STRUT, REAR, UPPER
7	2	AN10-23A	BOLT
	2	NAS11491063P	WASHER
	2	MS21044N10	NUT
8	1	9A02056-012	FITTING, RR DRAG WIRE, UPPER
9	1	9A02734-001	BOLT
	1	NAS1149F0863P	WASHER
	1	MS21083N8	NUT
10	2	AN399-31	PIN
	2	MS24665-353	COTTER PIN
11	2	9A02000-110	ASSY, REAR DRAG WIRE
12	1	9A02059-007	FITTING, RR DRAG WIRE, UPPER
13	2	AN9-30A	BOLT
	2	NAS1149F0932P	WASHER
	2	MS21044N9	NUT
14	2	9A02056-013	FITTING, DRAG WIRE, AFT LOWER
15	2	AN10-31A	BOLT
	2	NAS11491063P	WASHER
	2	MS21044N10	NUT
16	1	9A02000-119	ASSY, CENTER STRUT
17	2	AN8-22A	BOLT
	2	NAS1149F0863P	WASHER
	2	MS21044N8	NUT
18	1	9A02057-003	FITTING, REAR STRUT, LOWER, LEFT
	1	9A02057-004	FITTING, REAR STRUT, LOWER, RIGHT
19	1	9A02113-001	FITTING, FLOAT, REAR STRUT, LH
	1	9A02113-002	FITTING, FLOAT, REAR STRUT, RH
	12	8A02095-001	BUSHING, STRUT
	6	AN6-26A	BOLT

ITEM	QTY	PART NO.	PART DESCRIPTION
	4	AN6-25A	BOLT
	10	NAS1149F0663P	WASHER
	10	MS21044N6	NUT
20	1	9A02000-122	ASSY, REAR STRUT
21	2	AN10-23A	BOLT
	2	NAS11491063P	WASHER
	2	MS21044N10	NUT

STRUTS AND DRAG WIRES (FWD)

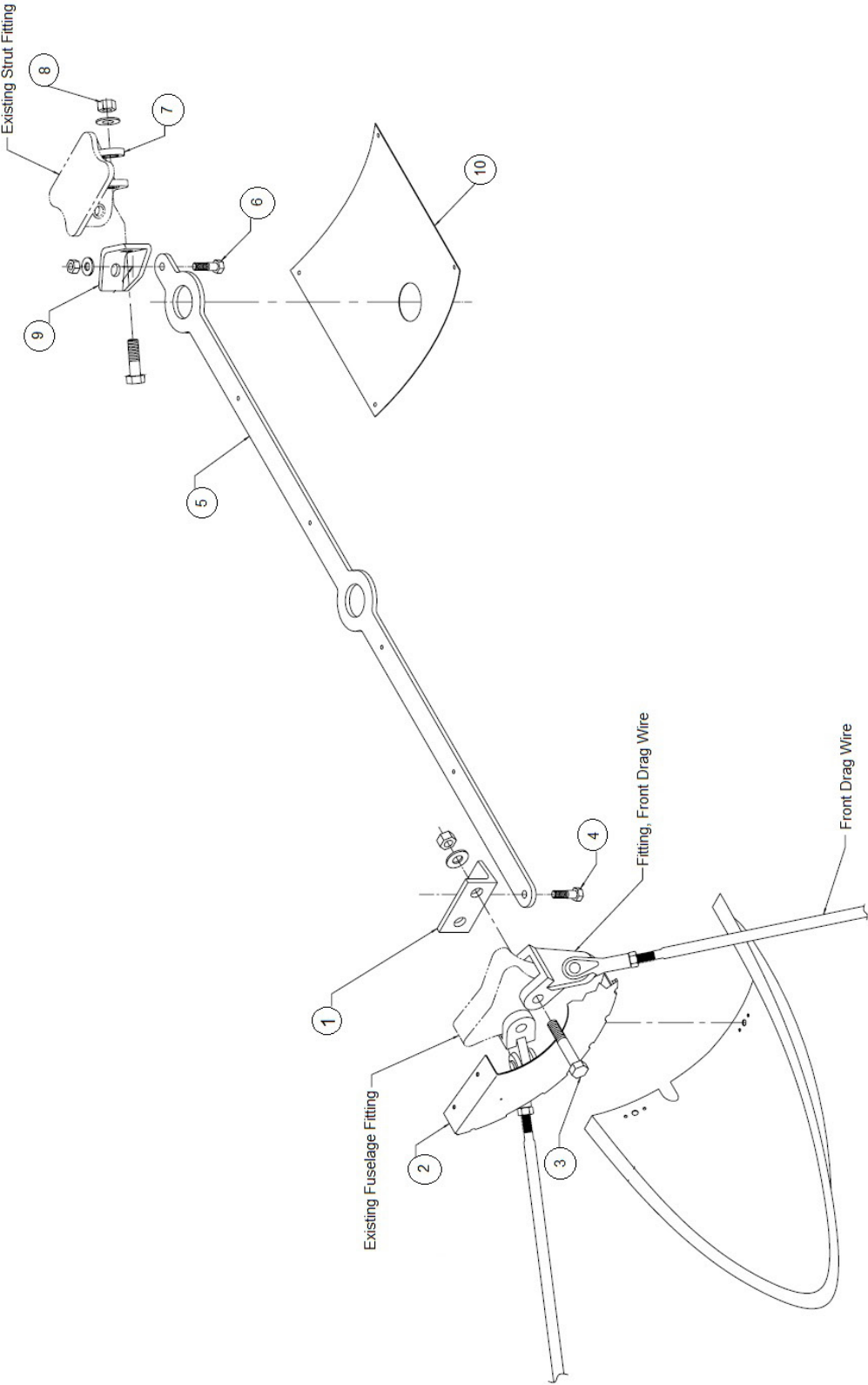


ITEM	QTY	PART NO.	PART DESCRIPTION
1	2	9A02547-002	BUSHING
	2	AN8-31A	BOLT
	2	NAS1149F0863P	WASHER
	2	MS21044N8	NUT
2	2	AN8-22A	BOLT
	2	NAS1149F0863P	WASHER
	2	MS21044N8	NUT
3	2	9A02000-118	ASS'Y - FRONT STRUT
4	1	9A02066-009	FITTING. STRUT FWD, LEFT
	1	9A02066-008	FITTING. STRUT FWD, RIGHT
5	1	9A01001-045	SUPPORT, FRONT DECK FITTING, STRUT LEFT
	1	9A01001-046	SUPPORT, FRONT DECK FITTING, STRUT RIGHT
6	1	9A03000-018	ASSEMBLY, SPREADER BAR, FRONT
	8	AN8-32A	BOLT
	8	NAS1149F0863P	WASHER
	8	MS21044N8	NUT
7	2	9A02066-006	FITTING, RR DRAG WIRE, UPPER
8	2	AN399-31	PIN
	2	MS24665-353	COTTER PIN
9	2	9A02000-109	ASS'Y DRAG WIRE
10	2	AN10-33A	BOLT
	2	NAS11491063P	WASHER
	2	MS21044N10	NUT
11	1	9A02000-118	ASS'Y, FRONT STRUT
12	2	AN8-22A	BOLT
	2	NAS1149F0863P	WASHER
	2	MS21044N8	NUT
13	2	AN8-30A	BOLT
	2	NAS1149F0863P	WASHER
	2	MS21044N8	NUT
14	1	9A02066-007	FITTING, LINK, FRONT STRUT, LWR, LEFT
	1	9A02066-004	FITTING, LINK, FRONT STRUT, LWR, RIGHT
15	2	9A02111-001	FITTING, FRONT STRUT, FLOAT
	10	AN6-27A	BOLT
	10	NAS1149F0663P	WASHER
	10	MS21044N6	NUT
16	2	AN9-30A	BOLT
	2	NAS1149F0932P	WASHER
	2	MS21044N9	NUT
17	2	9A02066-005	FITTING DRAG WIRE
18	2	9A02000-119	ASSY, CENTER STRUT

PARTS MANUAL
8000 FLOATS ON DEHAVILLAND DHC-3 SINGLE OTTER

ITEM	QTY	PART NO.	PART DESCRIPTION
19	2	AN8-22A	BOLT
	2	NAS1149F0863P	WASHER
	2	MS21044N8	NUT

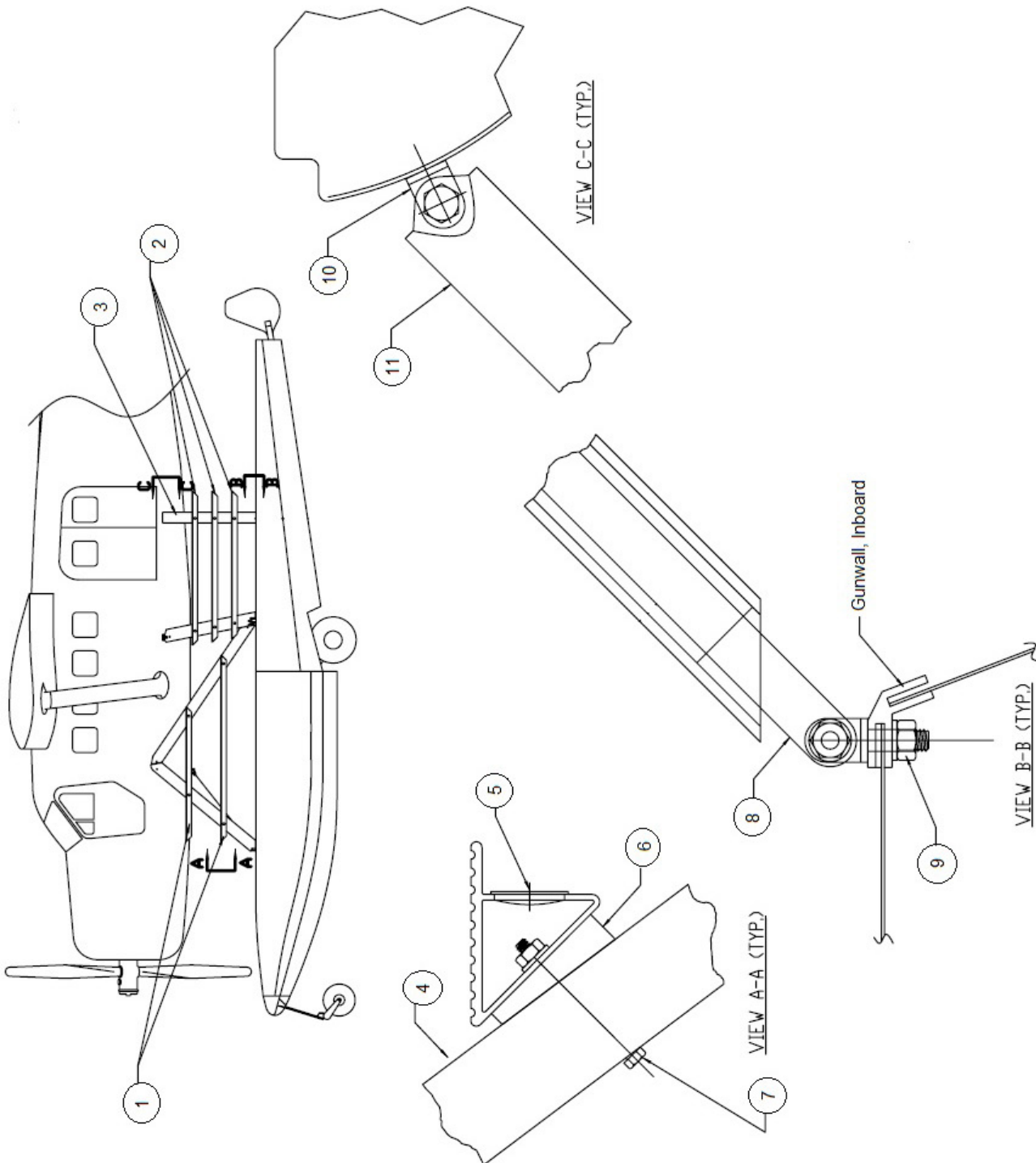
FWD DRAG WIRES SUPPORT



PARTS MANUAL
8000 FLOATS ON DEHAVILLAND DHC-3 SINGLE OTTER

ITEM	QTY	PART NO.	PART DESCRIPTION
1	1	9A02059-009	FITTING, DRAG WIRE, SUPPORT, FWD
2	1	9A02000-121	STRUT STEP ASSY-PILOT, DHC
3	2	AN10-33A	BOLT
	2	NAS11491063P	WASHER
	2	MS21044N10	NUT
4	1	AN6-11A	BOLT
	1	NAS1149F0663P	WASHER
	1	MS21044N6	NUT
5	1	9A02234-001	SUPPORT, DRAG WIRE, FRONT
6	1	AN6-11A	BOLT
	1	NAS1149F0663P	WASHER
	1	MS21044N6	NUT
7	2	9A02276-002	WASHER, DRAG WIRE, SUPPORT
8	2	AN8-15A	BOLT
	2	NAS1149F0863P	WASHER
	2	MS21044N8	NUT
9	1	9A02043-001	FITTING, DRAG WIRE SUPPORT
10	1	9A08005-251	COVER-BELLY

FUSELAGE STEP ASSEMBLY



PARTS MANUAL
8000 FLOATS ON DEHAVILLAND DHC-3 SINGLE OTTER

ITEM	QTY	PART NO.	PART DESCRIPTION
1	1	9A02369-019	STEP, PILOT, TOP
	1	9A02369-020	STEP, COPILOT, TOP
	1	9A02369-021	STEP, PILOT, LOWER
	1	9A02369-022	STEP, COPILOT, LOWER
2	1	9A02369-023	STEP, BOARDING, TOP, LH
	1	9A02369-024	STEP, BOARDING, TOP, RH
	1	9A02369-025	STEP, BOARDING, LOWER, LH
	1	9A02369-026	STEP, BOARDING, LOWER, RH
	1	9A02369-028	STEP, BOARDING, MIDDLE, RH
	1	9A02369-029	STEP, BOARDING, MIDDLE, LH
3	1	9A02000-121	ASSY, STEP STRUT
	1	9A02000-120	ASSY, STEP STRUT
4	1	9A02000-118	ASS'Y - FRONT STRUT
5	20	BPF	HOLE PLUG, 1"
6	20	9A02604-002	SPACER - STEP
7	14	AN3-32A	BOLT (FLOAT STRUTS)
	6	AN3-22A	BOLT (STEP STRUTS)
	20	NAS11491063P	WASHER
	20	MS21044N10	NUT
8	1	8A02273-007	ROD, SLIDE, FLOAT
	2	AN4-12A	BOLT
	2	NAS1149F0363P	WASHER
	2	MS21044N8	NUT
9	2	AN44-6A	EYE BOLT
	2	NAS1149F0563PL	WASHER
	1	MS21044N8	NUT
10	2	AN43-5A	EYEBOLT
11	2	AN3-13A	BOLT
	2	NAS11491063PL	WASHER
	2	MS21044N8	NUT

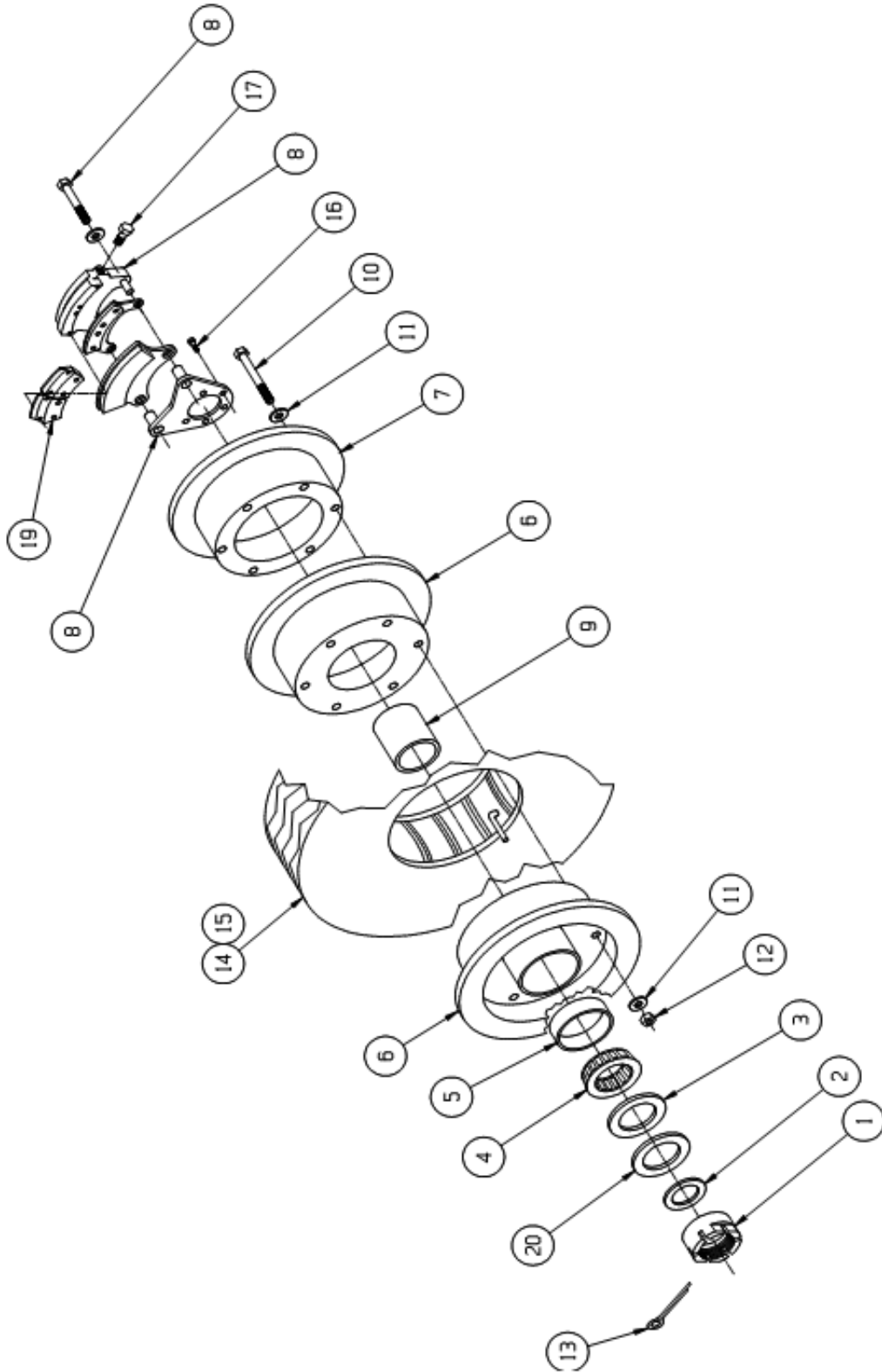
THIS PAGE INTENTIONALLY LEFT BLANK

SECTION 8 LANDING GEAR

CONTENTS

CLEVELAND/PARKER MAIN GEAR WHEEL ASSEMBLY	56
MAIN GEAR AXLE WITHOUT WHEELS ASSEMBLY	58
OLEO SHOCK STRUT ASSEMBLY (O-RINGS INSTALLED).....	60
OLEO SHOCK STRUT ASSEMBLY (T-SEALS INSTALLED) (OPTIONAL NEW VERSION).....	62
MAIN GEAR SLIDE TUBE ASSEMBLY (O-RINGS INSTALLED).....	64
MAIN GEAR SLIDE TUBE ASSEMBLY (T-SEALS INSTALLED) (OPTIONAL NEW VERSION)	67
NOSE GEAR LOWER END ASSEMBLY	70
NOSE WHEEL WITHOUT TIRE ASSEMBLY	72
NOSE GEAR ASSEMBLY (O-RINGS INSTALLED).....	73
NOSE GEAR ASSEMBLY (T-SEALS INSTALLED) (OPTIONAL NEW VERSION)	76

CLEVELAND/PARKER MAIN GEAR WHEEL ASSEMBLY

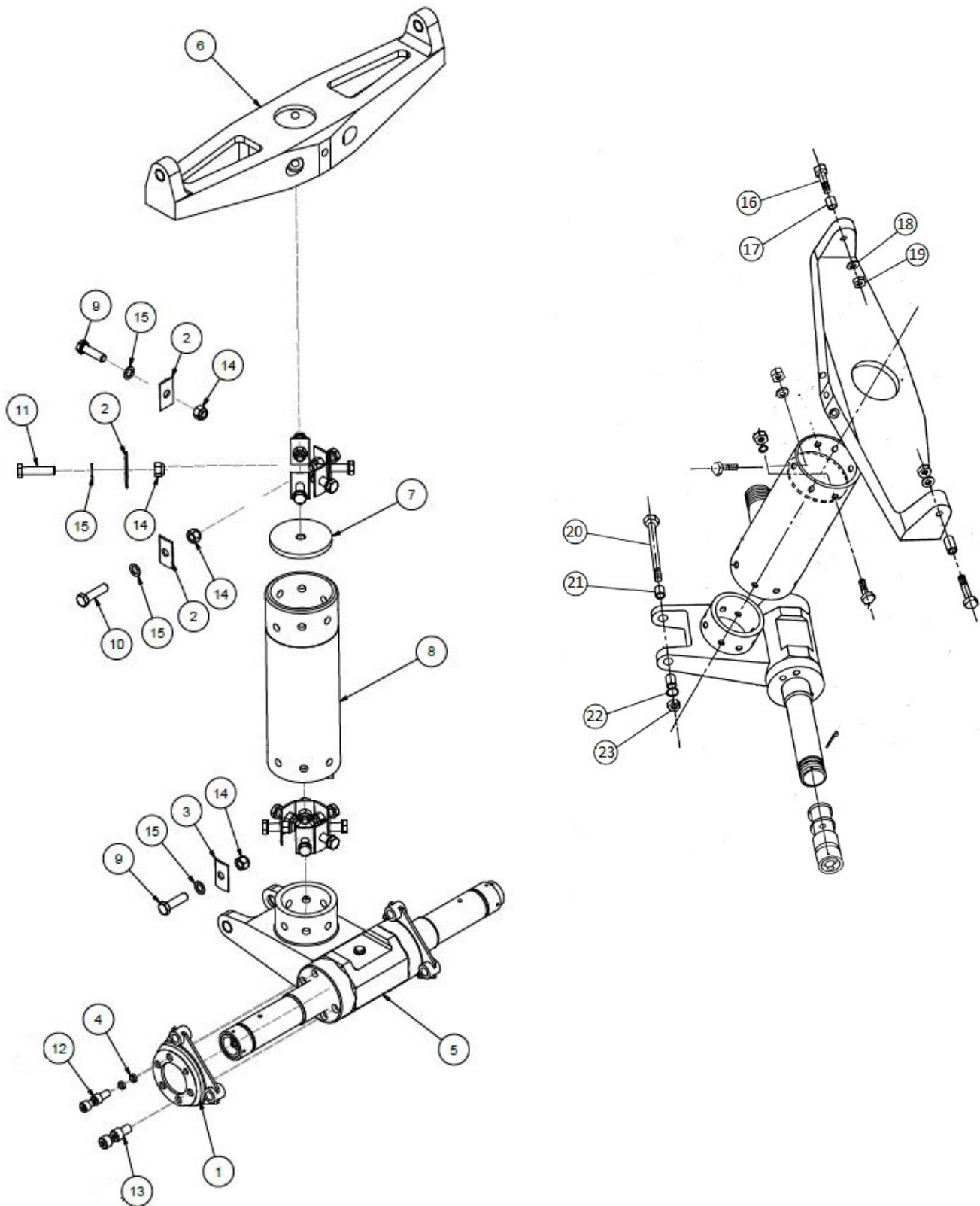


PARTS MANUAL
8000 FLOATS ON DEHAVILLAND DHC-3 SINGLE OTTER

ITEM	QTY	PART NO.	PART DESCRIPTION
-	4	8A04000-031	MAIN WHEEL ASSEMBLY
1	1	MS21025-24	NUT, AXLE
2	2	6A04093-002	SPACER, MAIN WHEEL AXLE
3	1	472439	SEAL, OUTSIDE (DRILL #50 HOLE, OUTSIDE FACE)
	1	473232	SEAL, INSIDE
4	2	13889	BEARING, CONE (CLEVELAND)
5	2	13836	BEARING, CUP (CLEVELAND)
6	-	40-418-3	WHEEL ASSEMBLY-COMPLETE (WITH CHROME BRAKE DISC)
7	-	164-24501	CHROME PLATED BRAKE DISC
8	4	30-241	BRAKE ASS'Y, COMPLETE
	2	6A04000-104	ASS'Y, BRAKE CALIPER, RT
	2	6A04000-105	ASS'Y, BRAKE CALIPER, LT
	1	075-20700	BRAKE TORQUE PLATE
	2	145-01000	BUSHING
	4	066-10500	BRAKE PADS (NEW STYLE ONLY)
	-	066-30026	BRAKE PADS (OLD STYLE)
	4	MS21250H04026	BOLTS (BRAKE PADS)
	4	MS20002C4	BRAKE PAD BOLT WASHERS
	8	105-00200	RIVETS (BRAKE PADS)
	1	081-00200	BLEEDER SEAT
	1	079-00300	BLEEDER SCREW
	1	183-00100	BLEEDER CAP
	2	069-03100	ANCHOR BOLT
	2	062-10700	PISTON
	2	MS28775-222	"O" RING PISTON
	1	MS28775-012	"O" RING BLEEDER
9	1	067-14700	RETAINER-GREASE
10	6	AN5-35A	BOLT-WHEEL HALF
11	12	NAS1149D0563J	WASHER
12	6	MS21042-5	NUT
13	1	MS24665-353	COTTER PIN
14	1	AA1E6*	TIRE-6:00 X 6-8 PLY (TYPE III)
15	1	XA1AD*	TIRE TUBE, 6.00 X X6
16	2	MS16997-96	CAP SCREW
	2	MS16997-77	CAP SCREW
17	2	104-04700	FITTING
	1	MS28775-011	"O" RING
18	2	073-04200	PRESSURE PLATE (WITH PADS)
19	4	074-02900	BACK PLATE (WITH PADS)
20	2	155-14300	SNAP RING

* Any alternate tire (tube type) which is TSO-approved, matches the listed tire's dimensions, and meets its speed/load/ply ratings may be used. Equivalent tubes may also be used.

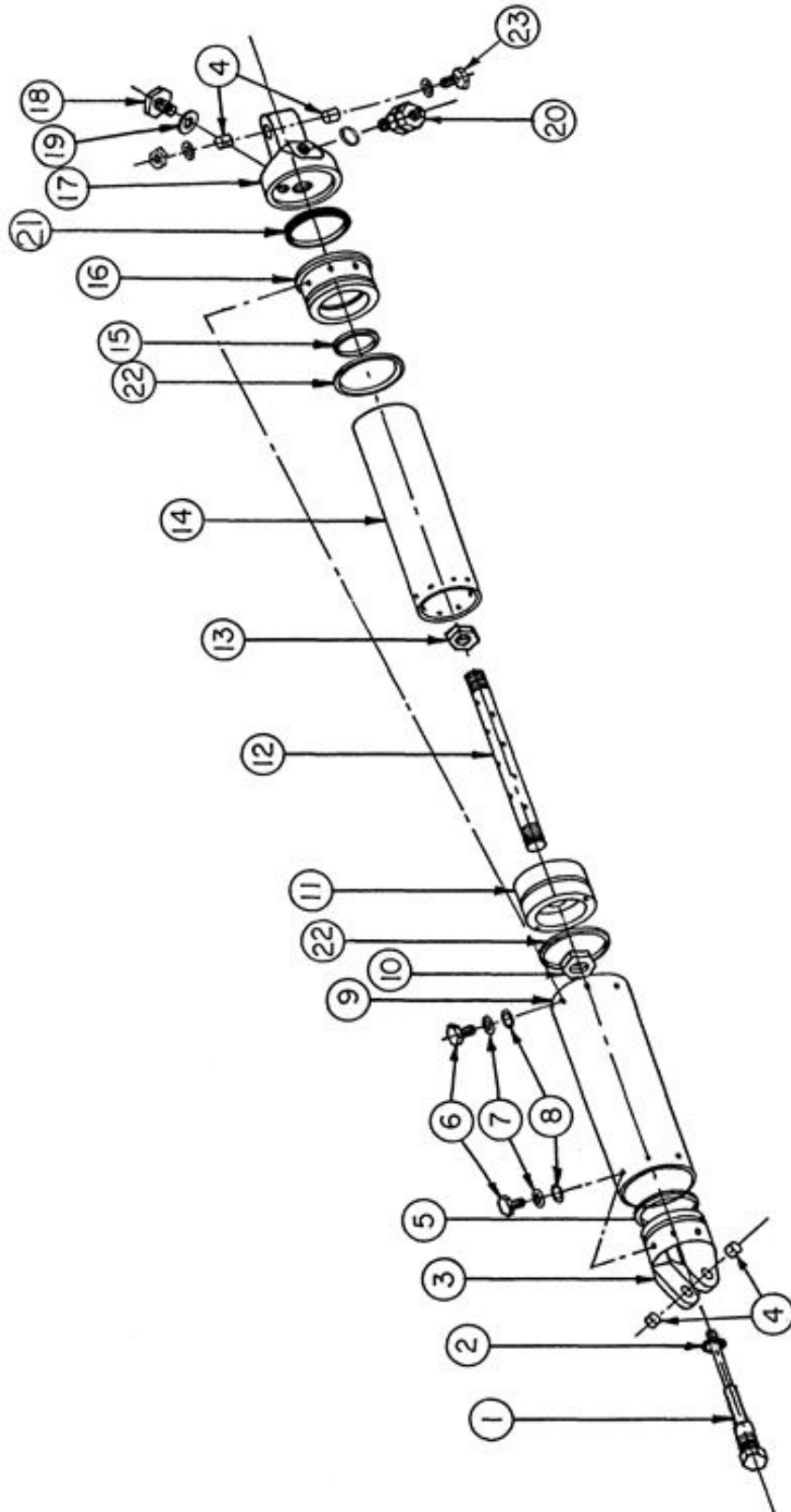
MAIN GEAR AXLE WITHOUT WHEELS ASSEMBLY



PARTS MANUAL
8000 FLOATS ON DEHAVILLAND DHC-3 SINGLE OTTER

ITEM	QTY	PART NO.	PART DESCRIPTION
-	1	8A04000-019	ASSEMBLY, MAIN GEAR, W/O WHEELS
1	2	075-20700	TORQUE PLATE
2	8	1009495	WASHER, CUSTOM, DRAG BRACE, UPPER
3	8	1009496	WASHER, CUSTOM, DRAG BRACE, LOWER
4	4	30A04523-002	BUSHING, TORQUE PLATE
5	1	8A04000-021	ASSEMBLY, AXLE, MAIN GEAR
6	1	8A04103-001	ASSEMBLY, DRAG BRACE
7	1	8A04154-004	PLUG - SUPPORT DRAG BRACE TUBE
8	1	8A04296-002	TUBE - DRAG BRACE - MAIN GEAR
9	10	AN6-12A	BOLT, 3/8-24, 0.6875 GRIP, UNDRILLED, STEEL
10	2	AN6-13A	BOLT, 3/8-24, 0.8125 GRIP, UNDRILLED, STEEL
11	4	AN6-14A	BOLT, 3/8-24, .938 GRIP, UNDRILLED, STEEL
12	4	MS16997-77	SOCKET HEAD CAP SCREW
13	4	MS16997-96	SOCKET HEAD CAP SCREW
14	16	MS21044N6	NUT, LOCKING, REGULAR HEIGHT, 3/8-24 UNF
15	16	NAS1149D0663J	WASHER, 0.39 ID, 0.063 THK, ALUMINUM
16	2	AN8-30	BOLT, 1/2-20 THREAD, 2-5/16" GRIP, 3-3/32" LENGTH (NOT INCLUDED IN ASSEMBLY)
17	2	08DU12	BUSHING (NOT INCLUDED IN ASSEMBLY)
18	4	NAS1149D0863J	WASHER, 0.515 ID, 0.063 THK, ALUMINUM (NOT INCLUDED IN ASSEMBLY)
19	2	AN310-8	NUT, PLAIN, CASTELLATED, 1/2-20 UNF (NOT INCLUDED IN ASSEMBLY)
	2	MS24665-285	COTTER PIN (NOT INCLUDED IN ASSEMBLY)
20	1	NAS6208-56D	BOLT (NOT INCLUDED IN ASSEMBLY)
21	2	08DU08	BUSHING (NOT INCLUDED IN ASSEMBLY)
22	2	NAS1149D0863J	WASHER, 0.515 ID, 0.063 THK, ALUMINUM (NOT INCLUDED IN ASSEMBLY)
23	1	AN320-8	NUT, PLAIN, CASTELLATED, SHEAR, 1/2-20 UNF (NOT INCLUDED IN ASSEMBLY)
	1	MS24665-285	COTTER PIN (NOT INCLUDED IN ASSEMBLY)

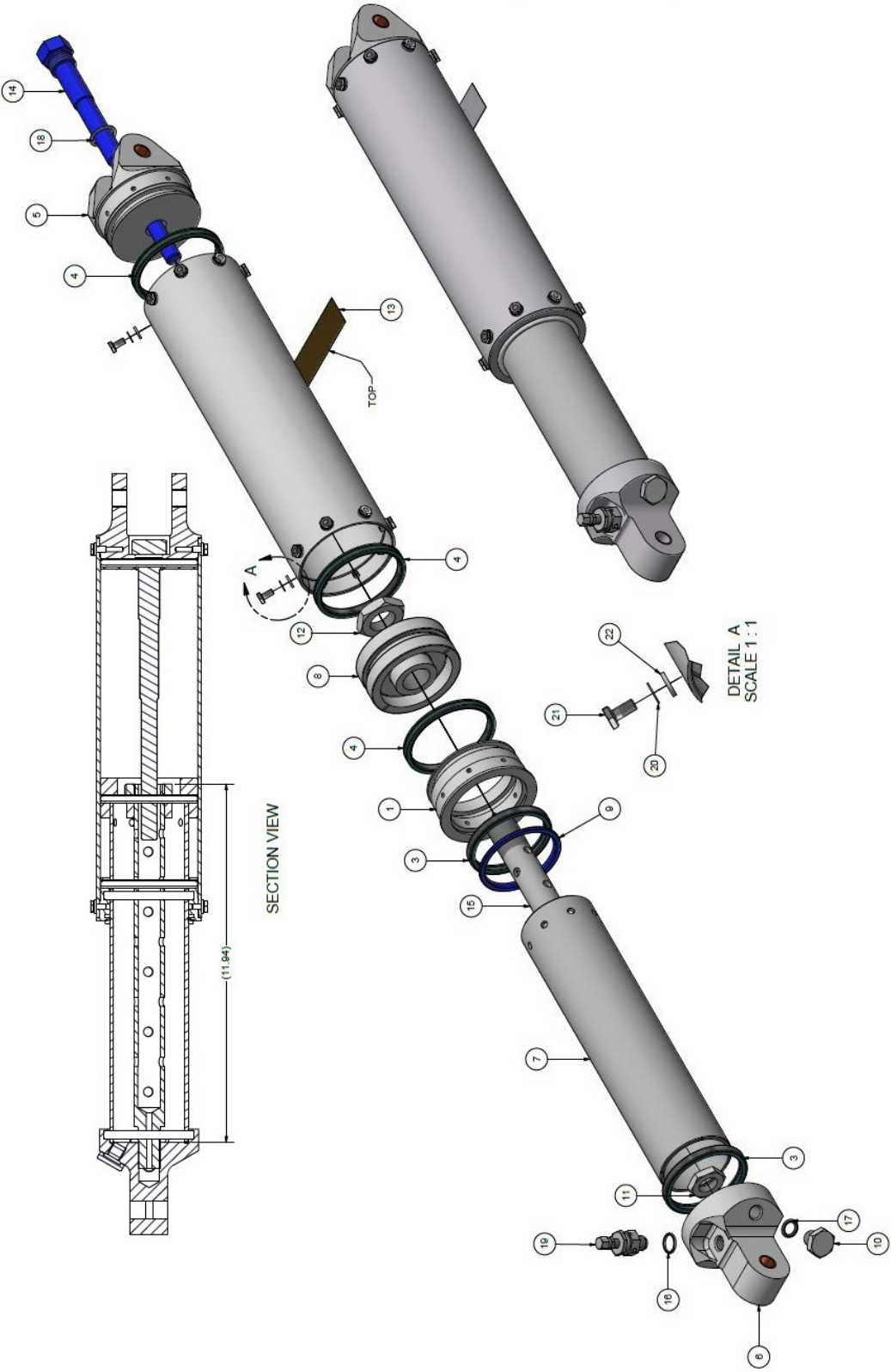
OLEO SHOCK STRUT ASSEMBLY (O-RINGS INSTALLED)



PARTS MANUAL
8000 FLOATS ON DEHAVILLAND DHC-3 SINGLE OTTER

ITEM	QTY	PART NO.	PART DESCRIPTION
-	1	8A04000-020	ASSEMBLY-SHOCK STRUT
1	1	8A04261-004	METERING ROD
2	1	MS28775-116	"O"RING
3	1	6A04256-003	END CAP
4	2	08DU08	BEARING
5	1	MS28775-234	"O"RING
6	16	NAS6203-2	BOLT
7	16	MS35333-39	WASHER
8	16	NAS1149D0363J	WASHER
9	1	8A04407-003	OUTER CYLINDER
	1	6A3-2169	PLACARD
10	1	6A04276-001	NUT-CHECK
11	1	8A04256-005	PISTON-SHOCK STRUT
12	1	8A04270-003	TUBE METERING
13	1	6A04275-001	NUT-CHECK
14	1	8A04538-002	INNER CYLINDER
15	1	MS28775-334	"O"RING
16	1	6A04296-001	GLAND-OUTER CYLINDER
17	1	6A04256-002	END CAP-OLEO
	1	MS28775-231	"O" RING
18	1	6A04271-003	CAP
19	1	MS28775-111	"O"RING
20	1	MS28889-2	VALVE
	1	MS28775-015	"O" RING
21	1	6A04743-001	WIPER
22	2	MS28775-336	"O"RING
23	1	NAS6208-36D	BOLT (UPPER END)
	2	NAS1149F0863P	WASHER
	1	AN320-8	NUT
	1	MS24665-353	COTTER PIN

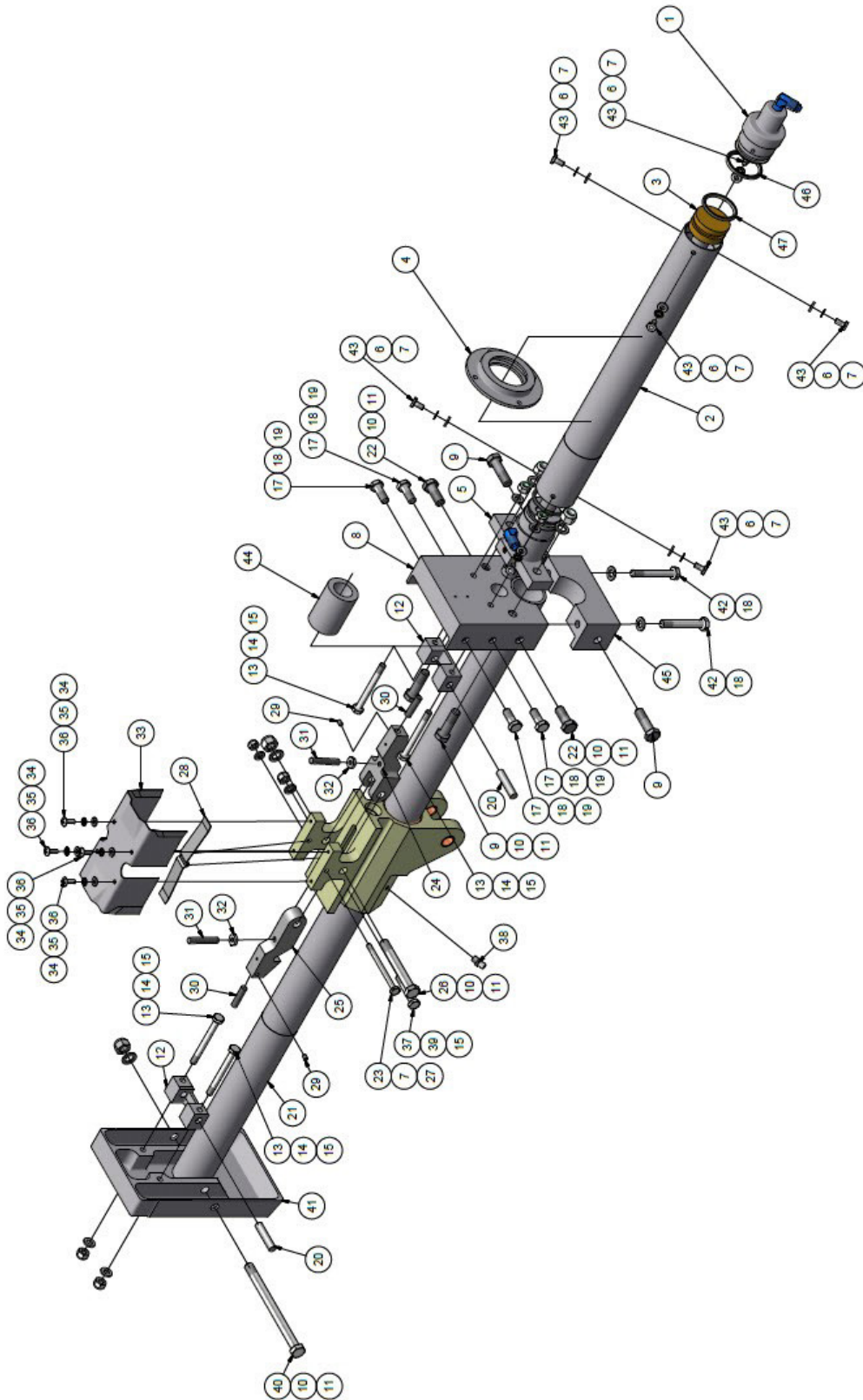
OLEO SHOCK STRUT ASSEMBLY (T-SEALS INSTALLED) (OPTIONAL NEW VERSION)



PARTS MANUAL
8000 FLOATS ON DEHAVILLAND DHC-3 SINGLE OTTER

ITEM	QTY	PART NO.	PART DESCRIPTION
-	1	1002069	ASSEMBLY, SHOCK STRUT, 8000
1	1	1002017	GLAND - OUTER CYL - SHOCK STRUT
2	1	1002020	CYLINDER, OUTER, SHOCK STRUT, 8000
3	2	1002027	ROD, T-SEAL
4	3	1002028	PISTON, T-SEAL
5	1	1002650	CAP, END, SHOCK STRUT, W/BUSHINGS
6	1	1002651	CAP, TOP, SHOCK STRUT, W/BUSHINGS
7	1	1002652	CYLINDER, INNER, SHOCK STRUT, 8000
8	1	1002654	PISTON, SHOCK STRUT, 8000
9	1	1009966	WIPER, SHOCK STRUT, T-SEAL
10	1	6A04271-003	PLUG, SHOCK STRUT
11	1	6A04275-001	NUT, CHECK, SHOCK STRUT
12	1	6A04276-001	NUT, CHECK, SHOCK STRUT
13	1	6A3-2169	PLACARD, HYDRAULIC CYLINDER
14	1	8A04261-004	PIN, METERING, SHOCK STRUT, MAIN GEAR
15	1	8A04270-003	TUBE - METERING, SHOCK STRUT
16	1	MS28775-015	"O" RING
17	1	MS28775-111	"O" RING, HYDRAULIC
18	1	MS28775-116	"O" RING
19	1	MS28889-2	VALVE
20	16	MS35333-39	STAR WASHER
21	16	NAS1103-2	BOLT
22	16	NAS1149D0363J	WASHER, 0.203 ID, 0.063 THK, ALUMINUM

MAIN GEAR SLIDE TUBE ASSEMBLY (O-RINGS INSTALLED)

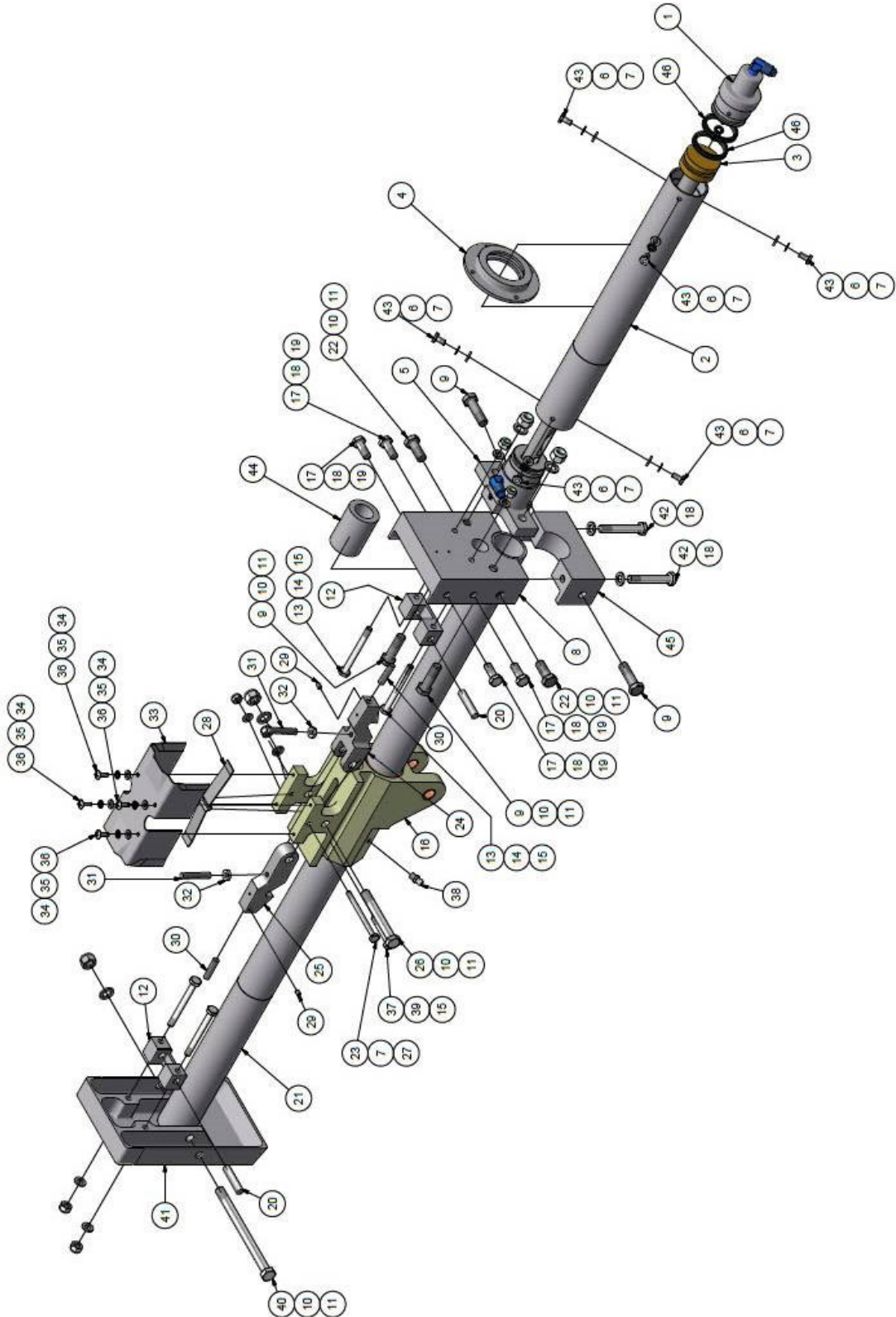


PARTS MANUAL
8000 FLOATS ON DEHAVILLAND DHC-3 SINGLE OTTER

ITEM	QTY	PART NO.	PART DESCRIPTION
1	-	6A05000-007	ASSY. END CAP-CYLINDER
	1	6A05268-001	END CAP, CYLINDER
	1	MS20822-4D	ELBOW, PIPE TO TUBE
2	1	8A05116-003	CYLINDER-OUTSIDE
3	1	8A05000-010	RAM ASSEMBLY
4	1	6A05181-001	RING-CYLINDER-SUPPORT
	1	MS28775-327	"O" RING
5	-	6A05000-008	ASSY. FLANGE-CYLINDER END
	1	6A05199-001	FLANGE, CYLINDER, MAIN GEAR RAM
	1	1214K1	VALVE
	1	6A05580-004	WIPER, MAIN GEAR
	1	MS20822-4D	FITTING, 90° ELBOW
	1	MS28775-314	O-RING
	1	8880410	WIPER 3/4" IDX1-1/8" OD
6	8	MS35333-39	LOCK WASHER
7	9	NAS1149D0363J	WASHER
8	1	6A05208-001	FITTING, AFT, SLIDE TUBE
9	4	AN6-12A	BOLT
10	6	NAS1149D0663J	WASHER
11	6	MS21044N6	NUT
12	2	6A05193-001	HOLDER - HOOK PIN
13	4	AN4-24A	BOLT
14	4	NAS1149D0463J	WASHER
15	5	MS21044N4	NUT
16	-	6A05000-037	ASSEMBLY, CARRIAGE, W/BUSHINGS
	1	6A05309-001	CARRIAGE, MAIN GEAR
	2	26DU16	BUSHING (LARGE)
	2	O8DU08	BUSHING (SMALL)
17	4	AN5-6A	BOLT
18	6	NAS1149D0563J	WASHER
19	4	MS21044N5	NUT
20	2	6A05702-008	PIN, MAIN GEAR LOCK
21	1	8A05402-004	TUBE, SLIDE, MAIN GEAR, CARRIAGE
22	2	AN6-7A	BOLT
23	1	AN3-25A	BOLT
24	1	6A05042-001	HOOK - MAIN GEAR LOCK (AFT)
25	1	6A05041-001	HOOK - MAIN GEAR LOCK (FWD)
26	1	AN6-26A	BOLT
27	1	MS21044N3	NUT
28	1	6A05533-001	SPRING, MAIN GEAR LOCK
29	2	1032NFX3/16	SET SCREW, 10-32 X 3/16 S.S. CP

ITEM	QTY	PART NO.	PART DESCRIPTION
30	2	3A05701-001	MAGNET
31	2	6A05087-001	SCREW, ADJUSTING, MAIN GEAR LOCK
32	2	AN316-4R	NUT
33	1	6A05158-019	COVER, SLIDE TUBE TRUCK
34	4	NAS1149DN832J	WASHER
35	4	MS35333-38	LOCK WASHER
36	4	AN526-832-8	SCREW
37	1	AN4-14A	BOLT
38	1	1095K41	GREASE ZERK
39	1	NAS1149F0463P	WASHER
40	1	AN6-47A	BOLT
41	1	6A01201-001	FITTING, FWD, SLIDE, TUBE
42	2	AN5H20A	BOLT
43	8	NAS1103-2	BOLT
44	1	6A05259-002	END, SLIDE TUBE
45	1	8A05159-001	CAP FITTING, AFT, SLIDE TUBE
46	1	MS28775-220	O-RING
47	1	MS28755-219	O-RING

MAIN GEAR SLIDE TUBE ASSEMBLY (T-SEALS INSTALLED) (OPTIONAL NEW VERSION)

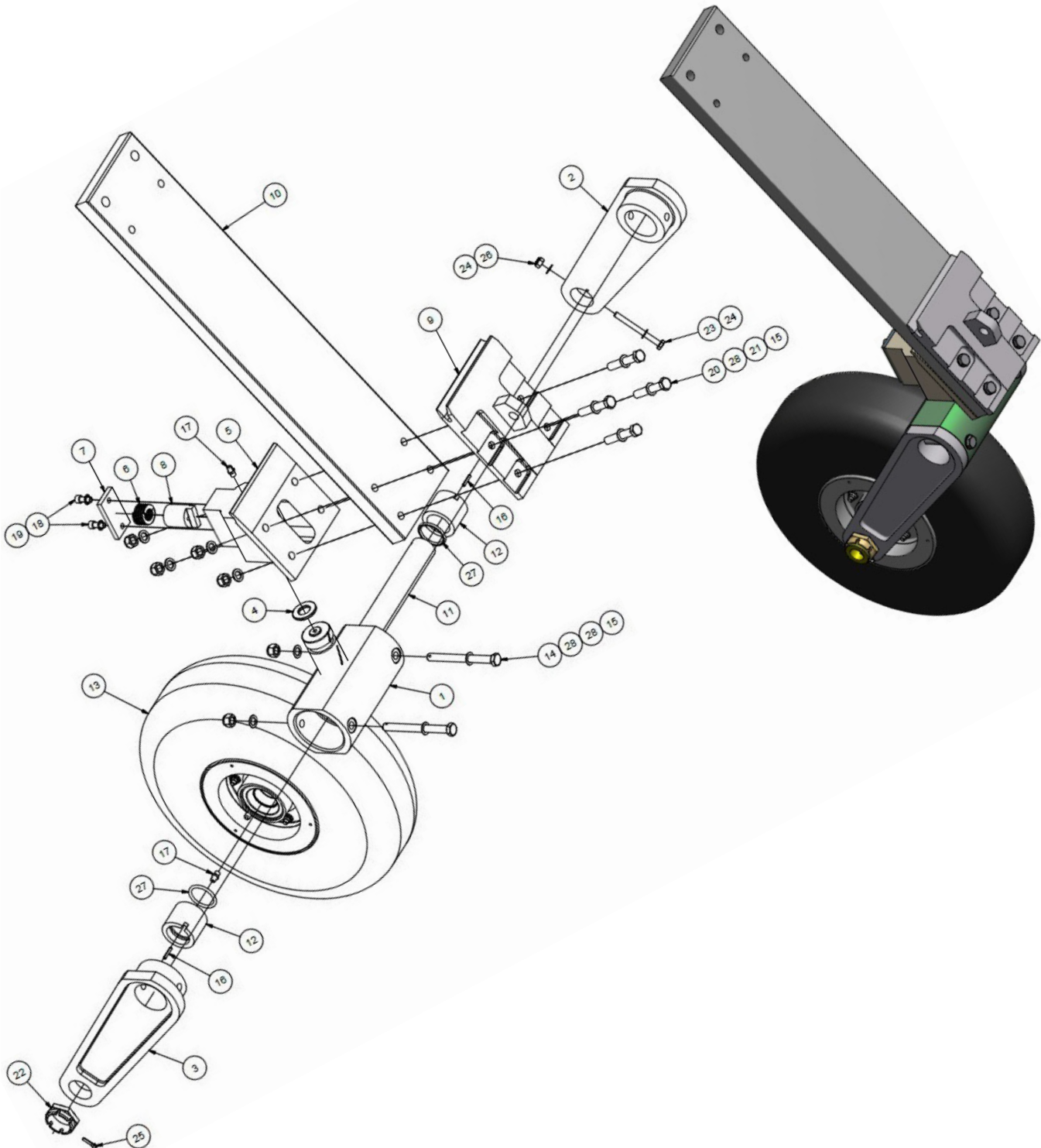


ITEM	QTY	PART NO.	PART DESCRIPTION
1	-	1002236	ASS'Y., END CAP, CYLINDER
	1	1002011	END CAP, CYLINDER
	1	MS20822-4D	ELBOW, PIPE TO TUBE
2	1	1002023	CYLINDER, OUTSIDE
3	1	1002640	ASS'Y, RAM, MAIN GEAR, 8000
4	1	6A05181-001	RING, CYLINDER, SUPPORT
	1	MS28775-327	"O" RING
5	-	1002235	ASS'Y, CYLINDER FLANGE, MAIN GEAR
	1	1002008	FLANGE, CYLINDER, MAIN GEAR RAM
	1	1214K1	VALVE
	1	6A05580-004	WIPER, MAIN GEAR
	1	8880410	WIPER
	1	MS20822-4D	FITTING, 90° ELBOW
	1	1002231	ROD, T-SEAL
6	8	MS35333-39	LOCK WASHER
7	9	NAS1149D0363J	WASHER
8	1	6A05208-001	FITTING, AFT, SLIDE TUBE
9	4	AN6-12A	BOLT
10	6	NAS1149D0663J	WASHER
11	6	MS21044N6	NUT
12	2	6A05193-001	CATCH, LOCK HOOK
13	4	AN4-24A	BOLT
14	4	NAS1149D0463J	WASHER
15	5	MS21044N4	NUT
16	-	1002642	ASS'Y, CARRIAGE, W/BUSHINGS
	1	1002621	CARRIAGE, MAIN GEAR
	2	26DU16	BUSHING (LARGE)
	2	O8DU08	BUSHING (SMALL)
17	4	AN5-6A	BOLT
18	8	NAS1149D0563J	WASHER
19	4	MS21044N5	NUT
20	2	6A05702-008	PIN, MAIN GEAR LOCK
21	1	8A05402-004	TUBE, SLIDE, MAIN GEAR, CARRIAGE
22	2	AN6-7A	BOLT
23	1	AN3-25A	BOLT
24	1	6A05042-001	HOOK - MAIN GEAR LOCK (AFT)
25	1	6A05041-001	HOOK - MAIN GEAR LOCK (FWD)
26	1	AN6-26A	BOLT
27	1	MS21044N3	NUT
28	1	6A05533-001	SPRING, MAIN GEAR LOCK
29	2	1032NFX3/16	SET SCREW, 10-32 X 3/16 S.S. CP

PARTS MANUAL
8000 FLOATS ON DEHAVILLAND DHC-3 SINGLE OTTER

ITEM	QTY	PART NO.	PART DESCRIPTION
30	2	3A05701-001	MAGNET
31	2	6A05087-001	LOCK, SET SCREW, HOLLOW
32	2	AN316-4R	NUT
33	1	6A05158-019	COVER, SLIDE TUBE TRUCK
34	4	NAS1149DN832J	WASHER
35	4	MS35333-38	LOCK WASHER
36	4	AN526-832R8	SCREW
37	1	AN4-14A	BOLT
38	1	1095K41	GREASE ZERK
39	1	NAS1149F0463P	WASHER
40	1	AN6-47A	BOLT
41	1	6A01201-001	FITTING, FWD, SLIDE TUBE
42	2	AN5H20A	BOLT
43	8	NAS1103-2	BOLT
44	1	6A05259-002	END, SLIDE TUBE
45	1	8A05159-001	CAP, SLIDE TUBE, AFT
46	2	1002229	T-SEAL

NOSE GEAR LOWER END ASSEMBLY

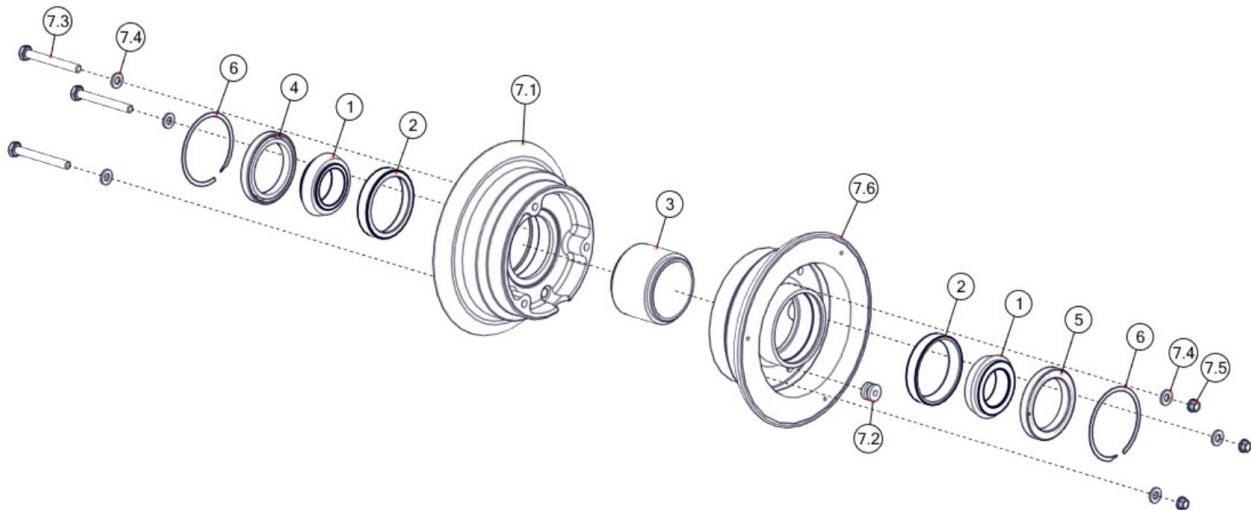


PARTS MANUAL
8000 FLOATS ON DEHAVILLAND DHC-3 SINGLE OTTER

ITEM	QTY	PART NO.	PART DESCRIPTION
-	1	8A06000-012	NOSE FORK AND PIVOT ASSY, COMPLETE
1	1	6A06000-006	YOKE ASSY
2	1	6A06199-003	LEG, NOSE WHEEL FORK, LEFT
3	1	6A06199-004	LEG, NOSE WHEEL FORK, RIGHT
4	1	8A06600-001	WASHER - THRUST
5	1	8A06308-001	BLOCK, PIVOT, NOSE GEAR
6	1	3A06525-002	SPRING
7	1	3A06037-001	CAP - PIVOT BLOCK
8	1	6A06512-002	RETAINER, NOSE GEAR PIVOT
9	1	8A06000-029	PLATE ASSY, TOW LUG
	1	8A06210-002	PLATE, BEARING, NOSE SPRING
	1	6A06202-001	BLOCK, ATTACH, TOWING
	2	MS16997-78	CAP SCREW, '5/16-18 UNC, 0.750
10	1	8A06626-001	SPRING, NOSE GEAR
11	1	6A06265-001	AXLE - NOSE WHEEL
12	2	6A06268-002	SPACER
13	1	8A06000-008	NOSE WHEEL ASSY
	1	301-018-420*	TIRE, 5.00 X 5 - 10, NOSE 8000
	1	XA1AC*	TUBE, 5.00 X 5
	1	1003233	ASSEMBLY, NOSE WHEEL W/O TIRE (SEE DETAIL)
14	2	AN6-37	BOLT
15	6	MS21044N6	NUT
16	2	215-125-0750	PIN, ROLL, 1/8 X 3/4, SPRING
17	2	1095K41	COMMON GREASEZERK
18	2	MS16997-60	SOCKET HEAD CAP SCREW
19	2	MS35333-40	STAR WASHER
20	4	AN6-21A	BOLT
21	4	NAS1149F0663P	WASHER
22	1	MS21025-20	NUT, AXLE
23	1	AN4-25A	BOLT
24	2	NAS1149F0432P	WASHER
25	1	MS24665-349	COTTER PIN
26	1	MS21044N4	NUT
27	2	MS28775-218	"O" RING
28	8	NAS1149F0632P	WASHER

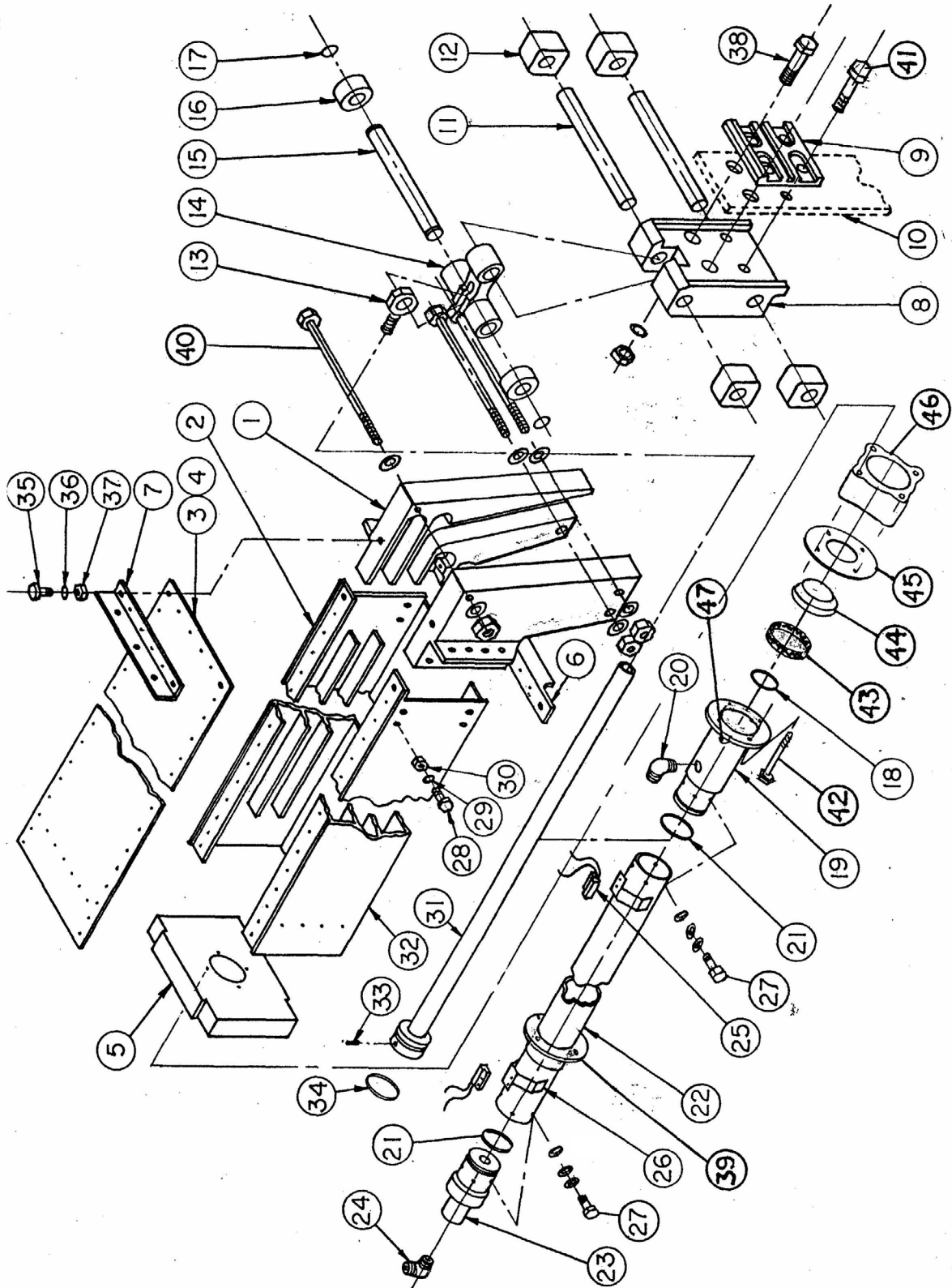
* Any alternate tire (tube type) which is TSO-approved, matches the listed tire's dimensions, and meets its speed/load/ply ratings may be used. Equivalent tubes may also be used.

NOSE WHEEL WITHOUT TIRE ASSEMBLY



ITEM	QTY	PART NO.	PART DESCRIPTION
-	1	1003233	ASSEMBLY, NOSE WHEEL W/O TIRE
1	2	08125	BEARING (NON-CHROME)
2	2	08231	BEARING, CUP (NON-CHROME)
3	1	1003232	RETAINER, GREASE, NOSE WHEEL
4	1	1003547	SEAL, BEARING, WHEEL, INBOARD
5	1	1003548	SEAL, NOSE WHEEL, OUTBOARD
6	2	155-00200	RING, SNAP
7	1	40-87H	ASSEMBLY, RIM, NOSE WHEEL
7.1	1	161-04101	WHEEL HALF ASSEMBLY, INNER (NOT SOLD SEPARATELY)
7.2	1	217-00100	GROMMET
7.3	3	AN4-22A	BOLT, 1/4-28 THREAD, 1-13/16" GRIP, 2-9/32" LENGTH
7.4	6	NAS1149F0463P	WASHER, SCREW SIZE 1/4 OD.500 ID.265 THK.063
7.5	3	NAS21042-4	NUT
7.6	1	162-03901	WHEEL HALF ASSEMBLY, OUTER (NOT SOLD SEPARATELY)

NOSE GEAR ASSEMBLY (O-RINGS INSTALLED)

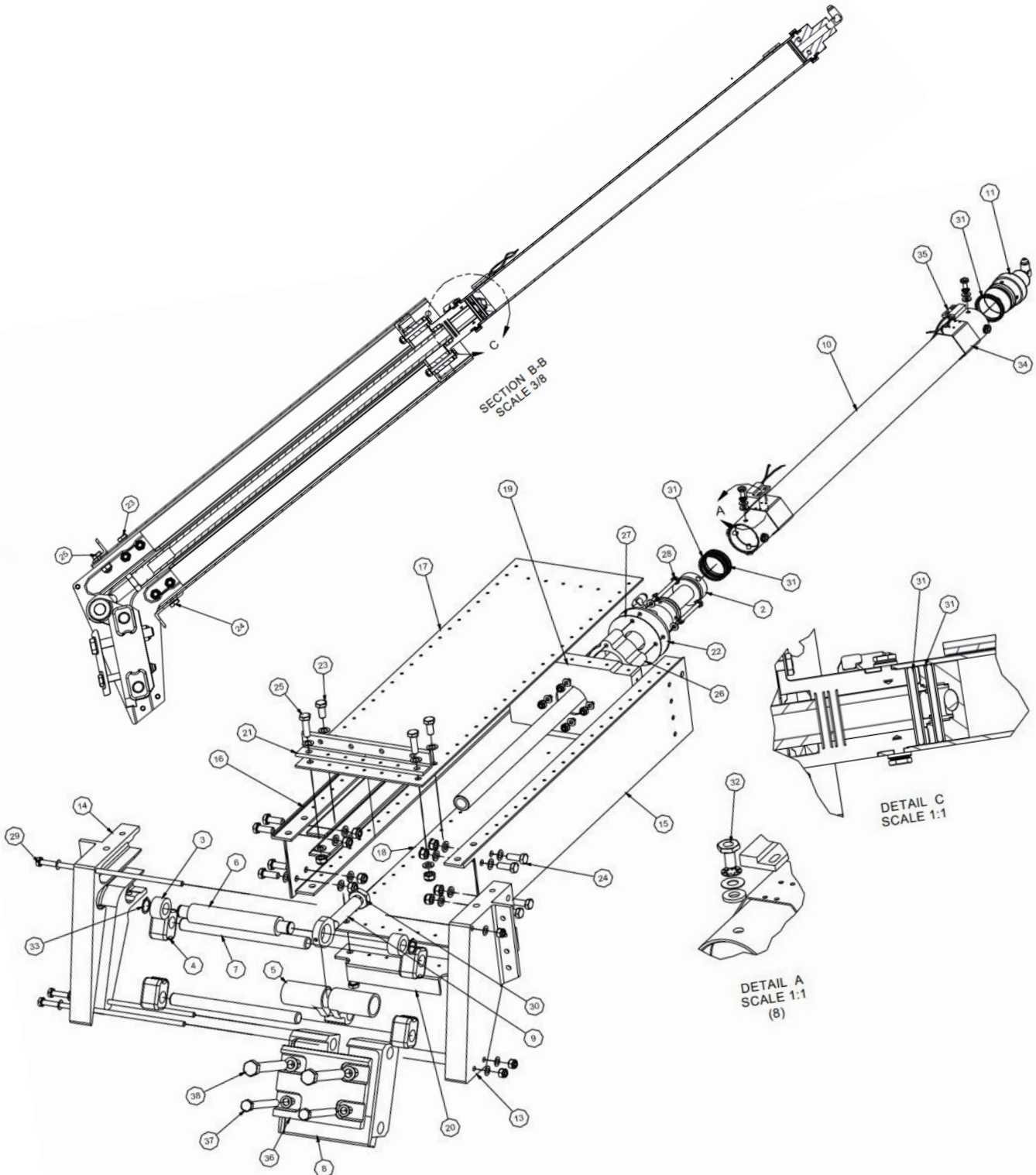


ITEM	QTY	PART NO.	PART DESCRIPTION
-	1	8A07000-006	NOSE GEAR ASSEMBLY COMPLETE
1	1	8A07337-003	TRACK FRONT-LEFT
	1	8A07337-004	TRACK FRONT-RIGHT
2	1	8A07364-003	TRACK SIDE-LEFT
3	1	8A07156-037	BOX COVER TOP
4	1	8A07156-038	BOX COVER BOTTOM
5	1	8A07201-002	END CAP
6	1	8A07357-038	ANGLE-NOSE BOX LOWER
7	1	8A07427-004	ANGLE-NOSE BOX UPPER
8	1	8A07188-001	TROLLEY
9	1	8A07212-001	PLATE BEARING
10	1	8A06626-001	NOSE SPRING
11	2	8A07534-003	AXLE TROLLEY
12	4	6A07603-001	BLOCKS TROLLEY
13	1	8A07257-002	ROD END
	1	AN316-10R	JAM NUT
14	1	8A07185-002	LINK RAM END
15	1	8A07505-001	AXLE
16	2	6A07544-001	ROLLER
17	2	5100-62H	SNAP RING
18	1	MS28775-316	"O" RING
19	1	6A07264-002	FLANGE-NOSE CYLINDER
20	1	MS20822-4D	ELBOW
21	2	MS28775-220	"O" RING
22	1	6A07116-002	CYLINDER
23	1	6A05268-001	END CAP
24	1	MS20822-4D	ELBOW
25	2	5801	SWITCH SENSOR
26	2	3A07005-178	MOUNT-SWITCH
27	8	NAS6203-2	BOLT
	8	NAS1149D0363J	WASHER THICK
	8	NAS1149D0316J	WASHER THIN
	8	MS35333-39	WASHER-LOCK
28	10	AN5-6A	BOLT
29	10	NAS1149D0563J	WASHER
	12	NAS1149D0516J	WASHER
30	8	MS21044N5	NUT
31	1	6A07000-008	ASSEMBLY RAM
32	1	8A07364-004	TRACK-SIDE (RIGHT)
33	1	3A05701-001	MAGNET
34	1	MS28775-219	"O" RING

PARTS MANUAL
8000 FLOATS ON DEHAVILLAND DHC-3 SINGLE OTTER

ITEM	QTY	PART NO.	PART DESCRIPTION
35	2	AN5-10A	BOLT
36	4	NAS1149D0516J	WASHER
37	2	MS21044N5	NUT
38	2	AN8-31A	BOLT
	4	NAS1149F0763P	WASHER
	2	MS21044N8	NUT
39	1	6A05181-001	SUPPORT RING CYLINDER
	1	MS28775-327	"O" RING
40	3	AN4-81A	BOLT
	3	NAS1149F0432P	WASHER
	3	MS21044N4	NUT
41	2	AN6-27A	BOLT
	4	NAS1149F0663P	WASHER
	2	MS21044N6	NUT
42	4	AN3-17A	BOLT
	4	NAS1149F0363P	WASHER
	4	MS21044N3	NUT
43	1	6A07580-005	WIPER FELT
44	1	8880510	WIPER NYLON
45	1	6A07158-129	PLATE
46	1	6A07264-003	SPACER
47	1	1205K12	OILER FILLER

NOSE GEAR ASSEMBLY (T-SEALS INSTALLED) (OPTIONAL NEW VERSION)



PARTS MANUAL
8000 FLOATS ON DEHAVILLAND DHC-3 SINGLE OTTER

ITEM	QTY	PART NO.	PART DESCRIPTION
1	1	1002262	ACTUATOR AND NOSE BOX COMPLETE
2	1	6A07000-008	ASSY RAM, NOSE GEAR
3	2	6A07544-001	ROLLER, TRACK
4	4	6A07603-001	BLOCK, SLIDE, TROLLEY
5	1	8A07185-002	LINK, NOSE GEAR RAM
6	1	8A07505-001	AXLE, LINK
7	2	8A07534-003	AXLE, NOSE GEAR TROLLEY
8	1	8A07188-001	TROLLEY
9	1	8A07257-002	ROD END, NOSE GEAR RAM
10	1	1002024	RAM NOSE CYLINDER
11	1	1002236	ASSY. CYL. END CAP
12	1	1002261	ASSY NOSE BOX (WITHOUT ACTUATOR)
13	1	8A07337-003	TRACK END LH
14	1	8A07337-004	TRACK END RH
15	1	8A07364-003	SIDE TRACK, NOSE GEAR LH
16	1	8A07364-004	SIDE TRACK, NOSE GEAR RH
17	1	8A07156-037	SKIN, NOSE BOX TOP
18	1	8A07156-038	SKIN, NOSE BOX BOTTOM
19	1	8A07201-002	END CAP, NOSE BOX
20	1	8A07357-038	ANGLE, NOSE BOX, BOTTOM
21	1	8A07427-004	ANGLE, NOSE BOX, TOP
22	1	1002237	CYLINDER FLANGE ASSY COMPLETE
23	12	AN5-5A	BOLT
24	10	AN5-6A	BOLT
	8	NAS1149D0563J	WASHER
	10	NAS1149D0516J	WASHER
	8	MS21044N5	NUT
25	2	AN5-10A	BOLT
	2	NAS1149D0563J	WASHER
	2	NAS1149D0516J	WASHER
	2	MS21044N5	NUT
26	1	6A07264-003	SPACER, FLANGE CYL.
27	8	6A07158-129	PLATE, FLANGE
28	4	AN3-17A	BOLT
	8	NAS1149F0332P	WASHER
	4	MS21044N3	NUT
29	3	AN4-81A	BOLT
	6	NAS1149D0416J	WASHER
	3	MS21044N4	NUT
30	1	AN316-10R	NUT
31	3	1002229	T-SEAL, PISTON

ITEM	QTY	PART NO.	PART DESCRIPTION
32	8	NAS1103-2	BOLT
	8	NAS1149D0363J	WASHER
	8	NAS1149D0316J	WASHER
	8	MS35333-39	STAR WASHER
33	2	5100-62H	SNAP RING
34	2	3A07005-178	CLIP SWITCH
35	2	5801	SWITCH, SENSOR
36	1	8A07212-001	PLATE-BEARING, NOSE SPRING
37	2	AN6-27A	BOLT
	4	NAS1149F0663P	WASHER
	2	MS21044N6	NUT
38	2	AN8-31A	BOLT
	4	NAS1149F0763P	WASHER
	2	MS21044N8	NUT

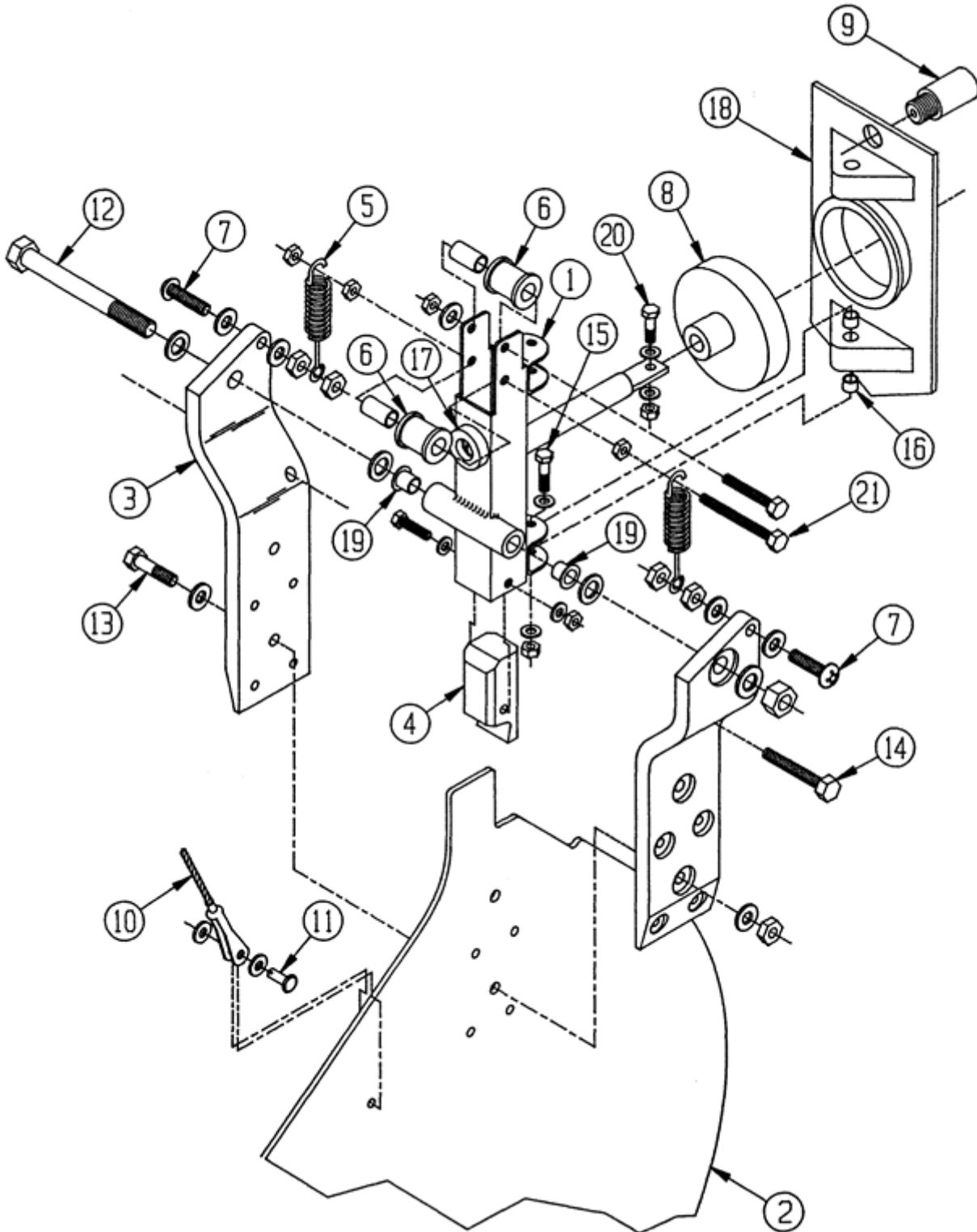
SECTION 9

WATER RUDDER, STEERING, & RETRACT CABLES

CONTENTS

WATER RUDDER BLADE INSTALLATION.....	80
STEERING & RETRACT SYSTEM.....	83
WATER RUDDER CABLE ASSEMBLIES	87

WATER RUDDER BLADE INSTALLATION

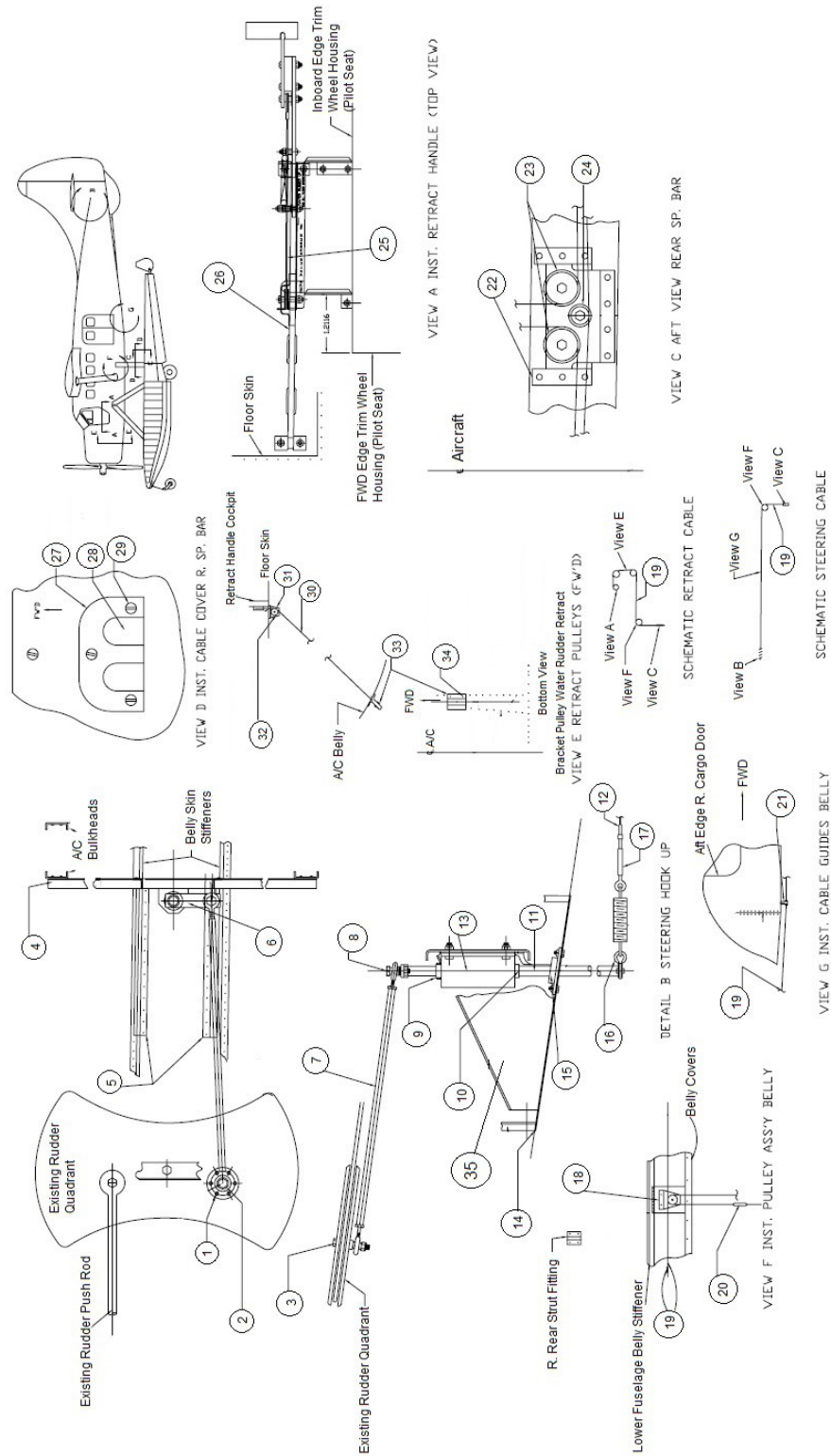


PARTS MANUAL
8000 FLOATS ON DEHAVILLAND DHC-3 SINGLE OTTER

ITEM	QTY	PART NO.	PART DESCRIPTION
1	1	8A08000-098	ASSEMBLY-WATER RUDDER POST
2	1	8A08000-023	ASSEMBLY-WATER RUDDER BLADE
3	1	8A08044-002	ARM-WATER RUDDER CONTROL-RIGHT
	1	8A08044-001	ARM-WATER RUDDER CONTROL-LEFT
4	1	8A08183-006	STOP-WATER RUDDER
	2	AN3-13A	BOLT-ATTACH
	2	NAS1149D0363J	WASHER
	2	MS21044N3	NUT
5	2	3A08525-001	SPRING
6	2	3A08606-001	ROLLER
	2	3A08502-001	BUSHING-ROLLER
	1	1032 X 2 INCH SS	BOLT-TOP (STAINLESS ST'L)
	1	1032 X 1 1/2 INCH SS	BOLT-LOWER (STAINLESS ST'L)
	4	NAS679A3W	NUT
7	2	MS35207-283	SCREW SPRING ATTACH
	A/R	NAS1149F0463P	WASHER
	2	NAS679A4W	NUT
8	1	3A08650-001	RUBBER BOOT
9	1	3A08605-001	CABLE GUIDE
10	1	8A08000-039	CABLE ASSEMBLY
11	1	MS20392-2C19	CLEVIS PIN
	1	NAS1149D0363J	WASHER
	1	MS24665-132	COTTER PIN
12	1	AN6C34A	BOLT
	A/R	NAS1149D0663J	WASHER
	1	MS21083N6	NUT
13	2	AN4-11A	BOLT ATTACH
	A/R	NAS1149D0416J	WASHER
	2	MS21044N4	NUT
	4	AN3-13A	BOLT ATTACH
	4	NAS1149D0363J	WASHER
	4	MS21044N3	NUT
	2	AN3-10A	BOLT ATTACH LOWER
	A/R	NAS1149D0363J	WASHER
	2	MS21044N3	NUT
14	1	AN4-20A	BOLT STOP
	A/R	NAS1149D0463J	WASHER
	1	MS21044N4	NUT
15	2	AN3C10A	BOLT RUDDER POST HINGE
	2	NAS1149D0363J	WASHER

ITEM	QTY	PART NO.	PART DESCRIPTION
	2	NAS679A3W	NUT
16	4	4L4F	NYLINER, PLASTIC, FLANGED, 1/2" DIA (OLD STYLE)
	4	03DU-04	BEARING (TEFLON STEEL) (NEW STYLE)
17	1	8A08602-004	STOP-RUDDER UP
	1	AN526-1032R9	SCREW
	1	AN970-3	WASHER
	1	MS21044N3	NUT
18	1	3A01437-001	CASTING-WATER RUDDER
19	2	6L11F	NYLINER, PLASTIC, FLANGED, 3/8" DIA
	2	06DU08	BUSHING, TEFLON- STEEL, 3/8" DIA, LENGTH 1/2"
20	1	AN3-6A	BOLT
	1	NAS1149D0363J	WASHER
	1	MS21044N3	NUT
21	2	1032X2 INCH S.S.	BOLT (STAINLESS STEEL)

STEERING & RETRACT SYSTEM



ITEM	QTY	PART NO.	PART DESCRIPTION
1	2	9A08163-045	REINFORCEMENT, RUDDER HORN
	12	CR3231-4	RIVETS
2	1	9A08260-004	BUSHING, RUDDER HORN, STEERING
3	1	AN4-20A	BOLT
	3	NAS1149F0363P	WASHER
	1	MS21044N6	NUT
4	1	9A08156-122	SUPPORT, PANEL, WATER RUDDER
5	1	9A08155-020	BRACKET, SUPPORT, WATER RUDDER
	1	9A08155-021	BRACKET, SUPPORT, WATER RUDDER
6	1	9A08000-107	ASSEMBLY, ARM, RUDDER PIVOT
	1	AN3-11A	BOLT
	1	NAS11491063PL	WASHER
	1	MS21044N6	NUT
7	1	9A08000-116	ASSY, ROD, STEERING, WATER RUDDER
8	1	AN4-13A	BOLT
	5	NAS1149F0363P	WASHER
	1	MS21044N6	NUT
9	1	9A08454-005	BUSHING, WATER RUDDER PIVOT
	1	AN3-11A	BOLT
	1	NAS11491063PL	WASHER
	1	MS21044N6	NUT
10	1	6P08454-002	BUSHING, WATER RUDDER POST
11	1	9A08000-108	ASSY, SHAFT RUDDER PIVOT
12	1	9A08000-113	ASSEMBLY, CABLE, WATER RUDDER LEFT
	1	9A08000-114	ASSEMBLY, CABLE, WATER RUDDER RIGHT
13	1	9A08000-109	ASSY, BLOCK, PIVOT, WATER RUDDER STEERING
	4	AN4-7A	BOLT
	4	NAS1149F0363P	WASHER
	4	MS21044N6	NUT
14	1	9A08155-022	DOUBLER, BELLY, WATER RUDDER STEERING
15	1	9A08000-106	ASSY, BRACKET, RUDDER PIVOT
	4	AN3-6A	BOLT
	8	NAS11491063P	WASHER
	4	MS21044N6	NUT
16	2	AN115-16	SHACKLE
	2	MS20392-2C11	PIN
	2	NAS11491063PL	WASHER
	2	MS24665-132	PIN
17	2	MSZ1251B3S	BARREL
	2	MS21255-3RS	EYE
18	1	9A08000-115	ASSY, PULLEY BRACKET, WATER RUDDER

PARTS MANUAL
8000 FLOATS ON DEHAVILLAND DHC-3 SINGLE OTTER

ITEM	QTY	PART NO.	PART DESCRIPTION
19	1	9A08000-113	ASSEMBLY, CABLE, WATER RUDDER LEFT
	1	9A08000-114	ASSEMBLY, CABLE, WATER RUDDER RIGHT
20	1	MS20393-2C19	PIN
	2	NAS11491063P	WASHER
	1	MS24665-132	PIN
21	2	4A08153-009	BRACKET, GUIDE, CABLE
	2	10-80	RIVNUT
	2	NAS11491063P	WASHER
	2	AN936A10	WASHER
	2	AN526-1032-10	SCREW
22	1	8A08000-040	ASSEMBLY - PULLEY BRACKET
23	4	MS20219-2	PULLEY
	2	AN4-13A	BOLT
	2	NAS1149F0363P	WASHER
	2	MS21044N6	NUT
	4	MS24665-289	PIN
24	1	AN3-13A	BOLT
	1	NAS11491063P6	WASHER
	1	MS21044N6	NUT
	1	MS24665-289	PIN
25	1	9A08000-110	ASSY, CABLE, WATER RUDDER
26	1	8A08000-121	ASSEMBLY, WATER RUDDER RETRACT HANDLE
	7	AN3-4A	BOLT
	7	AN970-3	WASHER
	7	MS21044N6	NUT
27	1	8A08002-097	COVER, STEERING CABLES
28	1	8A08648-001	GASKET, CABLE COVER
29	3	AN530-6-4	SCREW
30	1	9A08000-110	ASSY, CABLE, WATER RUDDER
31	1	MS24665-E85	PIN
32	1	6P08000-101	ASS'Y PULLEY BRACKET WATER RUDDER STR
	4	AN526-1032R10	SCREWS
	8	NAS11491063PL	WASHERS
	4	MS21044N6	NUT
33	1	9A08151-101	PULLEY BRACKET, WATER RUDDER
	1	MS20219-2	PULLEY
	1	AN4-7A	BOLT
	2	NAS1149F0363P	WASHER
	1	MS21044N6	NUT
34	4	AN526-1032R10	SCREW
	8	NAS11491063PL	WASHER

ITEM	QTY	PART NO.	PART DESCRIPTION
	4	MS21044N6	NUT
35	1	9A08155-020	BRACKET, SUPPORT, WATER RUDDER
	1	9A08155-021	BRACKET, SUPPORT, WATER RUDDER

WATER RUDDER CABLE ASSEMBLIES

ASS'Y P/N	QTY	ASS'Y DESCRIPTION	CUT LENGTH	PART DESCRIPTION	PART NUMBER	ASS'Y QTY
9A08000-110	1	RETRACT CABLE- BELLY (FROM HANDLE)	130.50	NICOPRESS 3/32 BALL FORK (MACWHYTE) CABLE	MS51844-43 MS20664C3 NAS1435K3 RM690	1 1 1
9A08000-111	1	RETRACT CABLE- LEFT FLOAT	159.75	FORK (MACWHYTE) BALL TERMINAL-THD CABLE	NAS1435K3 MS20664C3 MS21260S3LH RM690	1 1 1
9A08000-112	1	RETRACT CABLE- RIGHT FLOAT	141.50	FORK (MACWHYTE) BALL TERMINAL-THD CABLE	NAS1435K3 MS20664C3 MS21260S3LH RM690	1 1 1
9A08000-113	1	STEERING AND BELLY CABLE LEFT FLOAT	516.00	FORK (MACWHYTE) BALL TERMINAL-THD CABLE GUIDE CABLE	NAS1435K3 MS20664C3 MS21260S3LH 3A08605-001 RM690	1 1 1
9A08000-114	1	STEERING AND BELLY CABLE RIGHT FLOAT	492.00	FORK (MACWHYTE) BALL TERMINAL-THD CABLE GUIDE CABLE	NAS1435K3 MS20664C3 MS21260S3LH 3A08605-001 RM690	1 1 1
9A08000-122	1	BALANCE CABLE RIGHT FLOAT	332.00	FORK (MACWHYTE) BALL TERMINAL-THD CABLE	NAS1435K3 MS20664C3 MS21260S3LH RM690	1 1 1
8A08000-035	1	CABLE ASSY. BALANCE LT.	108.00	FORK (MACWHYTE) BALL TERMINAL-THD CABLE	NAS1435K3 MS20664C3 MS21260S3RH RM690	1 1 1
8A08000-039	2	CABLE ASSY. RETRACT, FLOAT	91.75	FORK (MACWHYTE) BALL TERMINAL-THD CABLE	NAS1435K3 MS20664C3 MS21260S3RH RM690	1 1 1

THIS PAGE INTENTIONALLY LEFT BLANK

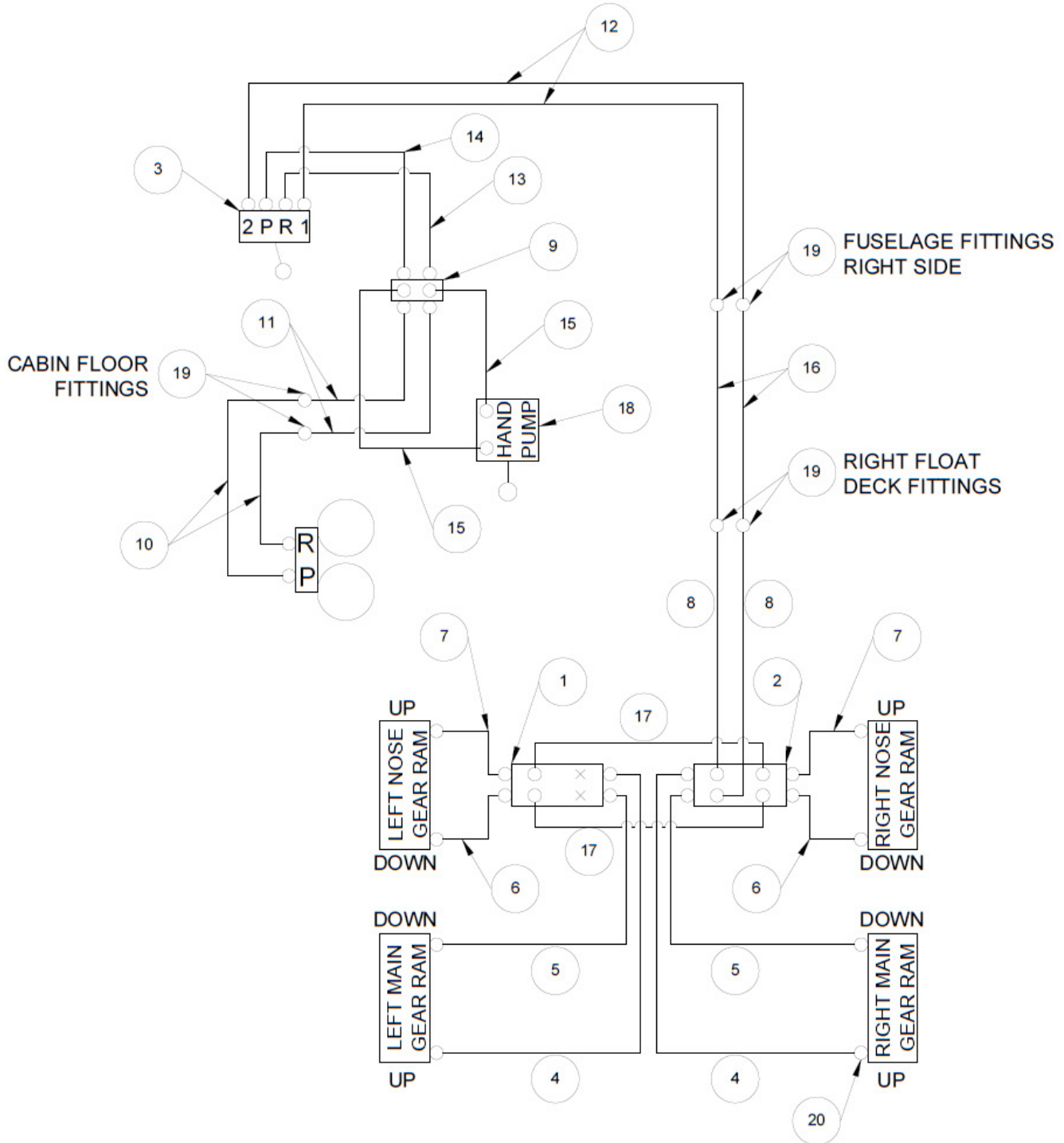
SECTION 10

HYDRAULIC SYSTEM

CONTENTS

HYDRAULIC SCHEMATIC	90
PUMP MOUNT BRACKET ASSEMBLY POST SERVICE LETTER 215	93
HYDRAULIC PUMP INSTALLATION POST SERVICE LETTER 215	95
HYDRAULIC PUMP INSTALLATION PRE SERVICE LETTER 215.....	97
HYDRAULIC PUMP OVERVIEW POST SERVICE LETTER 215.....	99
HYDRAULIC PUMP OVERVIEW PRE SERVICE LETTER 215	101
HYDRAULIC HOSE ASSEMBLIES FOR SINGLE OTTER.....	103
BRAKE SYSTEM SCHEMATIC.....	104

HYDRAULIC SCHEMATIC

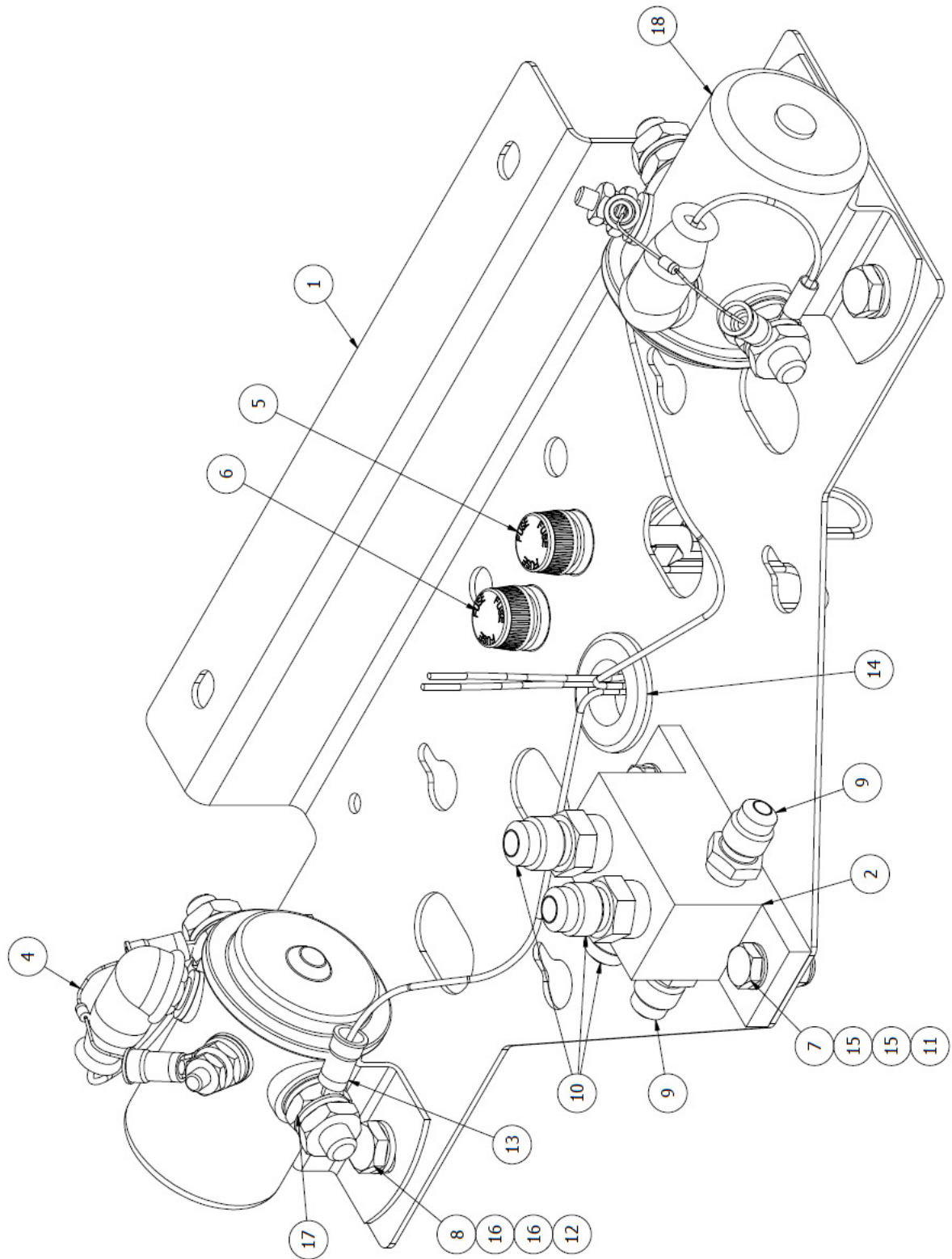


PARTS MANUAL
8000 FLOATS ON DEHAVILLAND DHC-3 SINGLE OTTER

ITEM	QTY	PART NO.	PART DESCRIPTION
1	1	6A09000-027	ASSEMBLY, MANIFOLD
	2	AN816-4D	FITTING, FLARED TUBE AND PIPE THREAD
	2	AN816-5-4D	FITTING, FLARED TUBE AND PIPE THREAD
	1	6A09207-001	HYDRAULIC MANIFOLD
	1	8A01003-078	BRACKET, HYDRAULIC MANIFOLD
2	1	6A09000-028	ASSEMBLY, MANIFOLD
	4	AN816-4D	FITTING, FLARED TUBE AND PIPE THREAD
	4	AN816-5-4D	FITTING, FLARED TUBE AND PIPE THREAD
	1	6A09046-001	HYDRAULIC MANIFOLD
	1	8A01003-078	BRACKET, HYDRAULIC MANIFOLD
3	1	6A09000-157	ASSEMBLY, GEAR SELECTOR VALVE
4	2	8A09000-039	ASSEMBLY, HYDRAULIC LINE, MANIFOLD TO MAIN GEAR UP
5	2	8A09000-040	ASSEMBLY, HYDRAULIC LINE, MANIFOLD TO MAIN GEAR DOWN
6	2	8A09000-041	ASSEMBLY, HYDRAULIC LINE, MANIFOLD TO NOSE GEAR DOWN
7	2	8A09000-042	ASSEMBLY, HYDRAULIC LINE, MANIFOLD TO NOSE GEAR UP
8	2	8A09000-043	ASSEMBLY, HYDRAULIC LINE, MANIFOLD TO FLOAT DECK
9	1	9A09000-173	ASSEMBLY, MANIFOLD
	1	9A09207-004	HYDRAULIC MANIFOLD
	6	AN816-5-4D	FITTING, STRAIGHT, PIPE TO TUBE
10	2	9A09000-177	ASSEMBLY, HYDRAULIC LINE, MAIN TO CABIN FLOOR
11	2	9A09000-178	ASSEMBLY, HYDRAULIC LINE, CABIN FLOOR TO MANIFOLD
12	2	9A09000-179	ASSEMBLY, HYDRAULIC LINE, CONTROL VALVE TO FUSELAGE
13	1	9A09000-180	ASSEMBLY, HYDRAULIC LINE, CONTROL VALVE, RETURN TO MANIFOLD
14	1	9A09000-181	ASSEMBLY, HYDRAULIC LINE, CONTROL VALVE, PRESSURE TO MANIFOLD
15	2	9A09000-182	ASSEMBLY, HYDRAULIC LINE, HAND PUMP TO MANIFOLD
16	2	9A09000-183	ASSEMBLY, HYDRAULIC LINE, FUSELAGE FITTING TO FLOAT DECK
17	2	9A09000-188	ASSEMBLY, HYDRAULIC LINE, CROSS OVER LINE, SPREADER BAR
18	1	914-8D-27	ASSEMBLY, HAND PUMP
	1	1002838	HANDLE, EMERGENCY HAND PUMP
	1	8A09003-053	ASSEMBLY, BRACKET, HAND PUMP
	1	13A09158-122	COVER, HAND PUMP
	1	AN919-7D	REDUCER, FLARED TUBE, 9/16-18, 1/2-20 THREAD
	1	AN919-11D	REDUCER, FLARED TUBE, 3/4-16, 1/2-20 THREAD
	1	MS28775-013	O-RING, .426 DIA.
	1	MS28775-016	O-RING, .614 DIA.
19	6	AN833-5D	FITTING, FLARED TUBE, 90° ELBOW, 1/2-20 THREAD

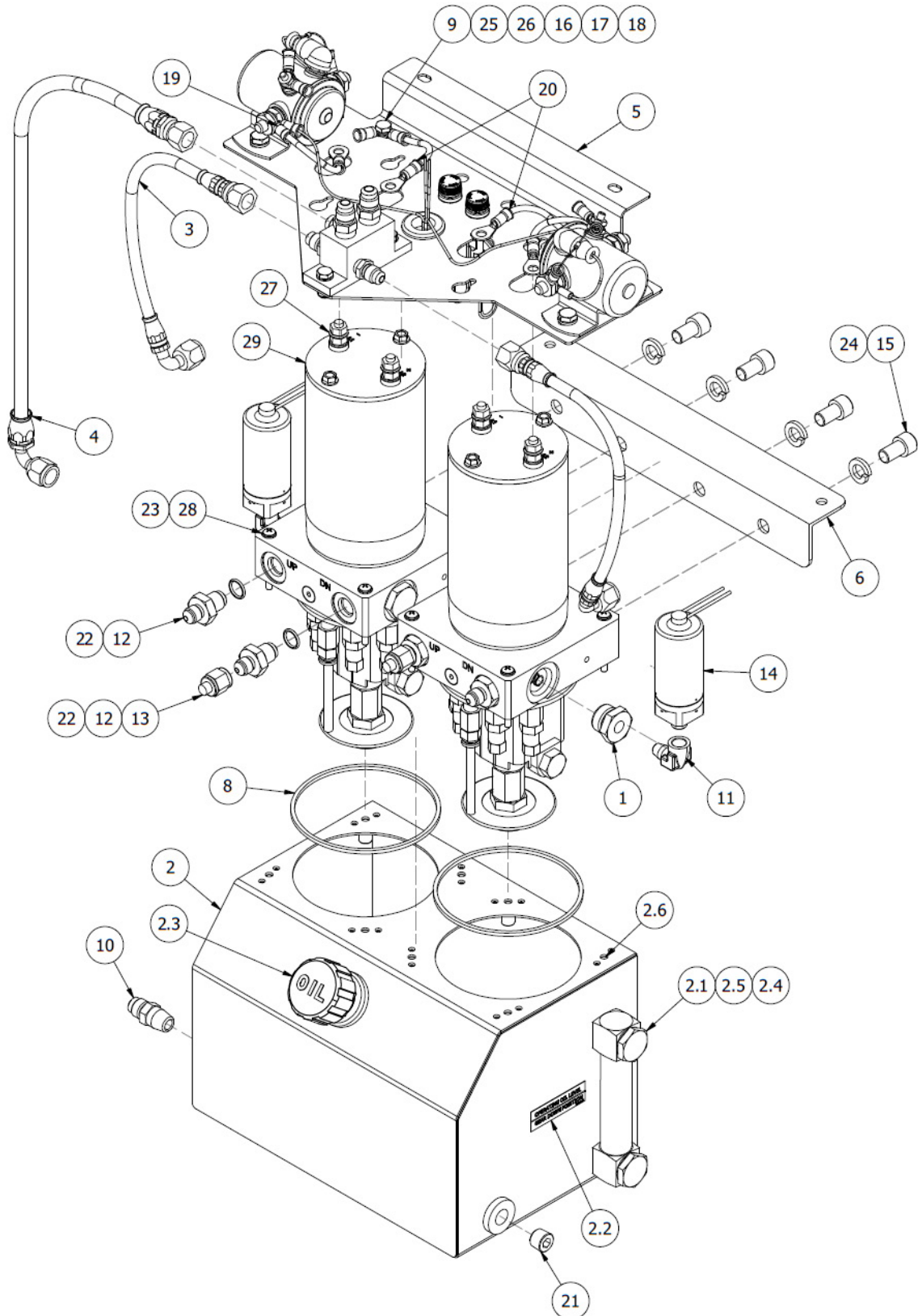
ITEM	QTY	PART NO.	PART DESCRIPTION
	6	NAS1149F0816P	WASHER, 0.515 ID, 0.016 THK, STEEL
	6	AN924-5D	NUT, TUBE, BULKHEAD, 1/2-20 THREAD
20	8	MS20822-4D	FITTING, ELBOW, FLARED TUBE AND PIPE THREAD

PUMP MOUNT BRACKET ASSEMBLY POST SERVICE LETTER 215



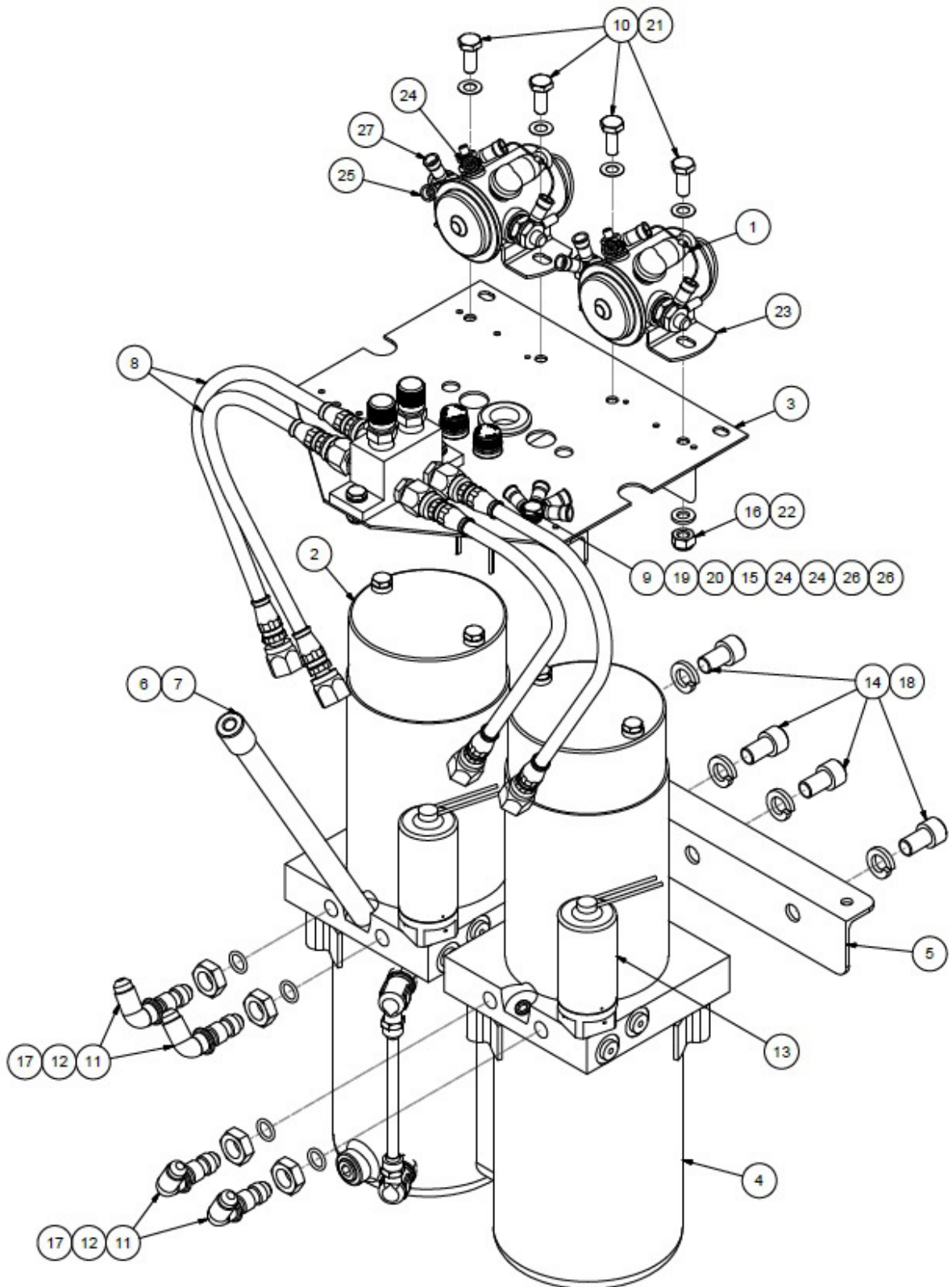
ITEM	QTY	PART NO.	PART DESCRIPTION
-	1	1011402	ASSEMBLY, BRACKET, PUMP MOUNT
1	1	1011401	UPPER BRACKET, HYDRAULIC PUMP
2	1	1011405	MANIFOLD, HYDRAULIC
3	1	22759-16-20-9	WIRE, 20 AWG, WHITE
4	2	3A10000-002	ASSEMBLY, SOLENOID DIODE
5	1	6A09000-128	ASSEMBLY, FUSE HOLDER, RIGHT
6	1	6A09000-129	ASSEMBLY, FUSE HOLDER, LEFT
7	2	AN3-5A	BOLT, 10-32, 0.25 GRIP, UNDRILLED, STEEL
8	4	AN4-5A	BOLT, 1/4-28, 0.1875 GRIP, UNDRILLED, STEEL
9	2	AN816-4D	NIPPLE, FLARED TUBE AND PIPE THREAD
10	3	AN816-5-4D	NIPPLE, FLARED TUBE AND PIPE THREAD
11	2	MS21044N3	NUT, LOCKING, REGULAR HEIGHT, 10-32 UNF
12	4	MS21044N4	NUT, LOCKING, REGULAR HEIGHT, 1/4-28 UNF
13	2	MS25036-104	RING TERMINAL, 5/16 STUD, 22-16 AWG, RED
14	1	MS35489-17	GROMMET, RUBBER
15	4	NAS1149F0332P	WASHER, 0.203 ID, 0.032 THK, STEEL
16	8	NAS1149F0463P	WASHER, 0.265 ID, 0.063 THK, STEEL
17	4	NAS1149F0532P	WASHER, 0.328 ID, 0.032 THK, STEEL
18	2	P52-0035-1	STARTER, 24V

HYDRAULIC PUMP INSTALLATION POST SERVICE LETTER 215



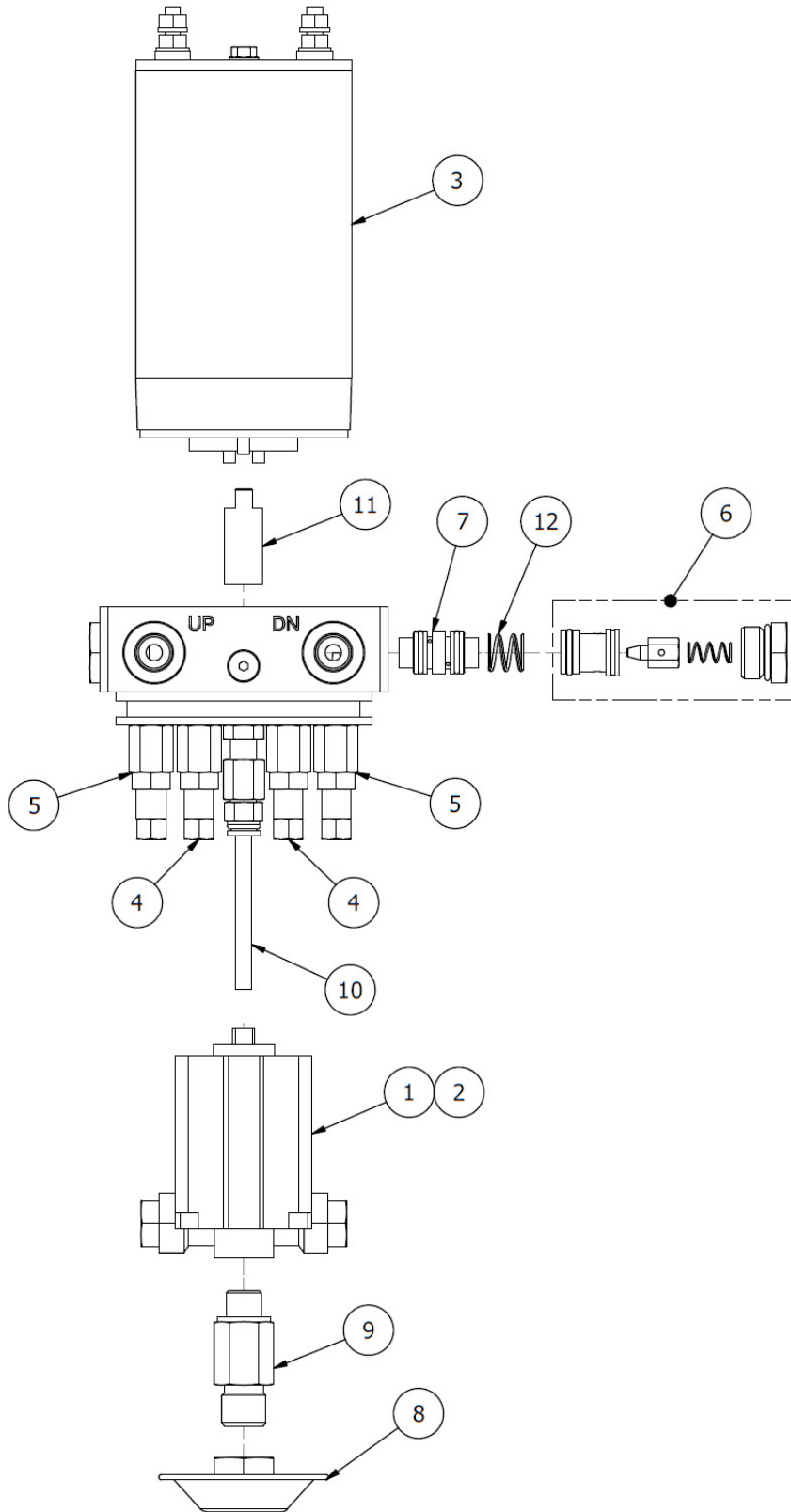
ITEM	QTY	PART NO.	PART DESCRIPTION
-	1	1011404	ASSEMBLY, HYDRAULIC POWER PACK
1	2	1011062	ASSEMBLY, PLUG, PRESSURE SWITCH PORT
2	1	1011359	ASSEMBLY, HYDRAULIC PUMP RESERVOIR
2.1	1	1192K17	LIQUID LEVEL INDICATOR, 4"
2.2	1	6A3-2199	PLACARD, OIL LEVEL
2.3	1	8631T24	BREATHER VENT
2.4	2	MS21044N8	NUT, LOCKING, REGULAR HEIGHT, 1/2-20 UNF
2.5	2	NAS1149D0832J	WASHER, 0.515 ID, 0.032 THK, ALUMINUM
2.6	8	NAS1473A08	NUT PLATE, SEALED
3	2	1011361-01	HYDRAULIC HOSE ASSEMBLY, MANIFOLD TO PUMP
4	1	1011361-05	HOSE, MANIFOLD TO RESERVOIR
5	1	1011402	ASSEMBLY, BRACKET, PUMP MOUNT
6	1	1011403	ANGLE, PUMP MOUNT, LOWER
7	16 IN	22759-16-12-9	WIRE, 12AWG, WHITE
8	2	4061T199	SQUARE PROFILE, O-RING, 3.5" I.D., .094 THK
9	2	AN3-4A	BOLT, 10-32, 0.125 GRIP, UNDRILLED, STEEL
10	1	AN816-5-4D	NIPPLE, FLARED TUBE AND PIPE THREAD
11	2	AN914-1D	ELBOW, 90 DEGREES, INTERNAL EXTERNAL PIPE
12	4	AN919-3D	FITTING, REDUCER
13	2	AN929-4	CAP
14	2	GPP1250-40	PRESSURE SWITCH
15	4	MS16997-96	SOCKET HEAD CAP SCREW
16	2	MS21044N3	NUT, LOCKING, REGULAR HEIGHT, 10-32 UNF
17	4	MS25036-103	RING TERNMINAL, #10 STUD, 22-16 AWG, RED
18	2	MS25036-112	RING TERNMINAL, #10 STUD, 10-12 AWG, YELLOW
19	2	MS25036-113	RING TERNMINAL, 5/16 STUD, 10-12 AWG, YELLOW
20	4	MS25036-157	RING TERNMINAL, #10 STUD, 10-12 AWG, YELLOW
21	1	MS27769D3	PLUG, PIPE, COUNTERSINK HEX HEAD
22	4	MS28775-013	"O" RING, HYDRAULIC
23	8	MS35206-252	SCREW, MACHINE, PAN HEAD
24	4	MS35338-46	WASHER, SPLIT
25	2	NAS1149F0332P	WASHER, 0.203 ID, 0.032 THK, STEEL
26	2	NAS1149F0363P	WASHER, 0.203 ID, 0.063 THK, STEEL
27	4	NAS1149F0432P	WASHER, 0.265 ID, 0.032 THK, STEEL
28	8	NAS1149FN832P	WASHER, 0.174 ID, 0.032 THK, STEEL
29	2	YBZS- D0.63W2T100K/ UVZOT2	HYDRAULIC POWER PACK, 24VDC, .64 PUMP

HYDRAULIC PUMP INSTALLATION PRE SERVICE LETTER 215



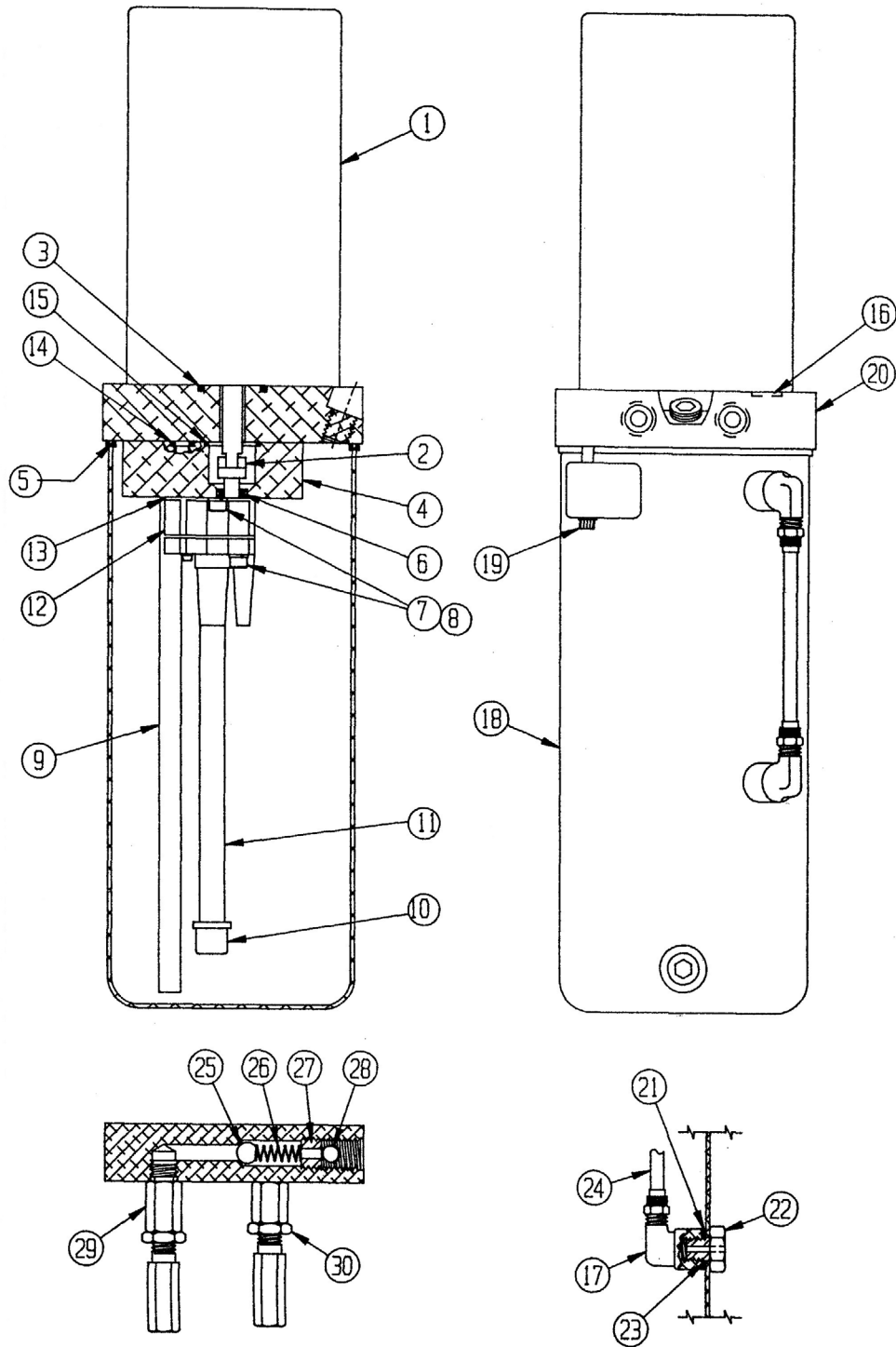
ITEM	QTY	PART NO.	PART DESCRIPTION
-	1	6A09000-029	ASSEMBLY, HYDRAULIC PUMP
1	2	3A10000-002	ASSEMBLY, SOLENOID DIODE
2	2	636603A	ASSEMBLY, PUMP, WITH MOTOR
3	1	6A09000-030	ASSEMBLY, PUMP MOUNT BRACKET
4	1	6A09000-115	ASSEMBLY, RESERVOIR
5	1	6A09348-003	ANGLE, ATTACH, HYDRAULIC PUMP
6	1	6A09398-001	FILLER PIPE, HYDRAULIC PUMP
7	1	6A09706-001	FILTER, HYDRAULIC PIPE
8	4	8A09000-048	ASSEMBLY, HYDRAULIC LINE, PUMP
9	1	AN3-5A	BOLT, 10-32, 0.25 GRIP, UNDRILLED, STEEL
10	4	AN4-5A	BOLT, 1/4-28, 0.1875 GRIP, UNDRILLED, STEEL
11	4	AN833-4D	FITTING, HYDRAULIC, 90 DEGREE ELBOW
12	4	AN924-4D	JAM NUT
13	2	GPP1250-23	PRESSURE SWITCH
14	4	MS16997-96	SOCKET HEAD CAP SCREW
15	1	MS21044N3	NUT, LOCKING, REGULAR HEIGHT, 10-32 UNF
16	4	MS21044N4	NUT, LOCKING, REGULAR HEIGHT, 1/4-28 UNF
17	4	MS28775-012	O RING, HYDRAULIC PACKING, .364 ID
18	4	MS35338-46	WASHER, SPLIT
19	1	NAS1149D0316J	WASHER, 0.203 ID, 0.016 THK, ALUMINUM
20	1	NAS1149D0363J	WASHER, 0.203 ID, 0.063 THK, ALUMINUM
21	4	NAS1149D0416J	WASHER, 0.265 ID, 0.016 THK, ALUMINUM
22	4	NAS1149D0463J	WASHER, 0.265 ID, 0.063 THK, ALUMINUM
23	2	P52-0035-1	STARTER, 24V
24	4	MS25036-103	RING TERMINAL, #10 STUD, 22-16 AWG, RED
25	2	MS25036-104	RING TERMINAL, 5/16 STUD, 22-16 AWG, RED
26	2	MS25036-112	RING TERMINAL, #10 STUD, 10-12 AWG, YELLOW
27	2	MS25036-113	RING TERMINAL, 5/16 STUD, 10-12 AWG, YELLOW
28	1	9A09000-176	ASSY, BRACKET, HYDRAULIC PUMP MOUNT (NOT SHOWN)

HYDRAULIC PUMP OVERVIEW POST SERVICE LETTER 215



ITEM	QTY	PART NO.	PART DESCRIPTION
1	1	202-0003	BI-DIRECTIONAL PUMP, 0.64 ML/R
2	1	299-0008	SEAL KIT, BI-DIRECTIONAL GEAR PUMP
3	1	610-0017	DC MOTOR, 24V, .8 KW
4	2	631-0005	PRESSURE RELIEF VALVE
5	2	631-0006	THERMAL RELIEF VALVE
6	2	632-0004	ASSEMBLY, PILOT OPERATED CHECK VALVE
7	1	637-0024	SHUTTLE VALVE
8	1	682-0019	FILTER, PICKUP TUBE, HYDRAULIC PUMP
9	1	682-0055	SUCTION HEX TUBE
10	1	682-0056	RETURN TUBE
11	1	683-0011	COUPLING, MOTOR TO PUMP
12	2	685-0012	SPRING, SHUTTLE VALVE
13	1	687-0001	SEAL KIT, RESERVIOR O-RING, PILOT OPERATED RELIEF VALVE O-RING, THERMAL AND PRESSURE RELIEF VALVE O-RING (NOT SHOWN)

HYDRAULIC PUMP OVERVIEW PRE SERVICE LETTER 215



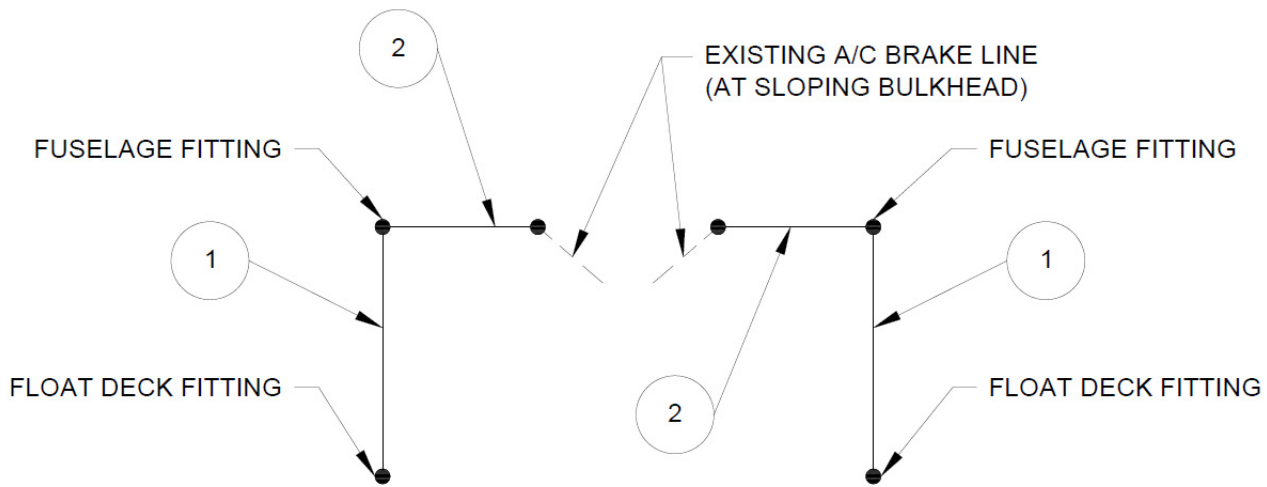
ITEM	QTY	PART NO.	PART DESCRIPTION
-	1	636603A	ASSEMBLY-MOTOR AND PUMP (24V)
1	1	MB56-N1	MOTOR (24V)
	1	MB56C902-3 KIT	BRUSH AND BEARING SERVICE KIT
	1	MB56C902-3	BRUSHES ONLY
	1	ST102-6	BEARINGS ONLY
2	1	361730	COUPLING
3	1	409406	"O" RING
4	1	361726	SPACER
5	1	410958*	SEAL RESERVOIR
6	1	410512*	OIL SEAL
7	4	410410*	LOCK WASHER
8	4	406187*	SCREW
9	1	409894	PIPE NIPPLE
10	1	410521*	FILTER
11	1	361843	TUBE EXTENSION
12	1	633383	PUMP ASSEMBLY
13	2	MS28775-009	"O" RING
14	2	401273*	"O" RING
15	1	MS28775-020	"O" RING
16	2	361615	WASHER, PILOT ¼ DIA
17	2	410330	ELBOW
18	1	6A09000-115	ASSEMBLY RESERVOIR
19	2	406187*	SCREW
	2	409357*	WASHER
20	1	361473	ADAPTOR
21	1	361049	"O" RING
22	2	360824	SCREW SIGHT GAUGE
23	2	MS28775-110	"O" RING
24	1	361507	TUBE SIGHT GAUGE
25	1	490405*	STEEL BALL
26	1	410462*	SPRING
27	1	409211*	LOCK SCREW
28	1	409263	PIPE PLUG
29	1	704520*	ASSEMBLY VALVE PRESSURE RELIEF
30	1	704522*	ASSEMBLY VALVE THERMAL RELIEF

*Reference Wipaire drawing 1011032 for alternate part numbers.

HYDRAULIC HOSE ASSEMBLIES FOR SINGLE OTTER

ITEM	DESCRIPTION	CUT LENGTH	QTY	PART NUMBER
1	HOSE - MAIN PUMP TO CABIN FLOOR	240 IN	2	9A09000-177
2	HOSE - CABIN FLOOR TO MANIFOLD	38 IN	2	9A09000-178
3	HOSE - CONTROL VALVE TO R. SIDE FUSELAGE SKIN	88 IN	2	9A09000-179
4	HOSE- CONTROL VALVE (RETURN) TO MANIFOLD	84 IN	1	9A09000-180
5	HOSE - CONTROL VALVE (PRESSURE) TO MANIFOLD	84 IN	1	9A09000-181
6	HOSE - HAND PUMP TO MANIFOLD	72 IN	2	9A09000-182
7	HOSE - FUSELAGE FITTING TO FLOAT DECK	80 IN	2	9A09000-183
8	HOSE - CROSS OVER LINE SP. BAR	144 IN	2	9A09000-188
9	HOSE - BRAKE LINE STEP BULKHEAD TO DECK	62 IN	2	9A09000-189
10	HOSE - BRAKE LINE DECK TO FUSELAGE	103 IN	2	9A04000-184
11	HOSE - BRAKE LINE FUSELAGE TO A/C BRAKELINE	72 IN	2	9A04000-185

BRAKE SYSTEM SCHEMATIC



ITEM	QTY	PART NO.	PART DESCRIPTION
1	2	9A09000-184	ASSEMBLY, BRAKE LINE, FLOAT TO FUSELAGE
2	2	9A09000-185	ASSEMBLY, BRAKE LINE, FUSELAGE TO A/C BRAKE LINE

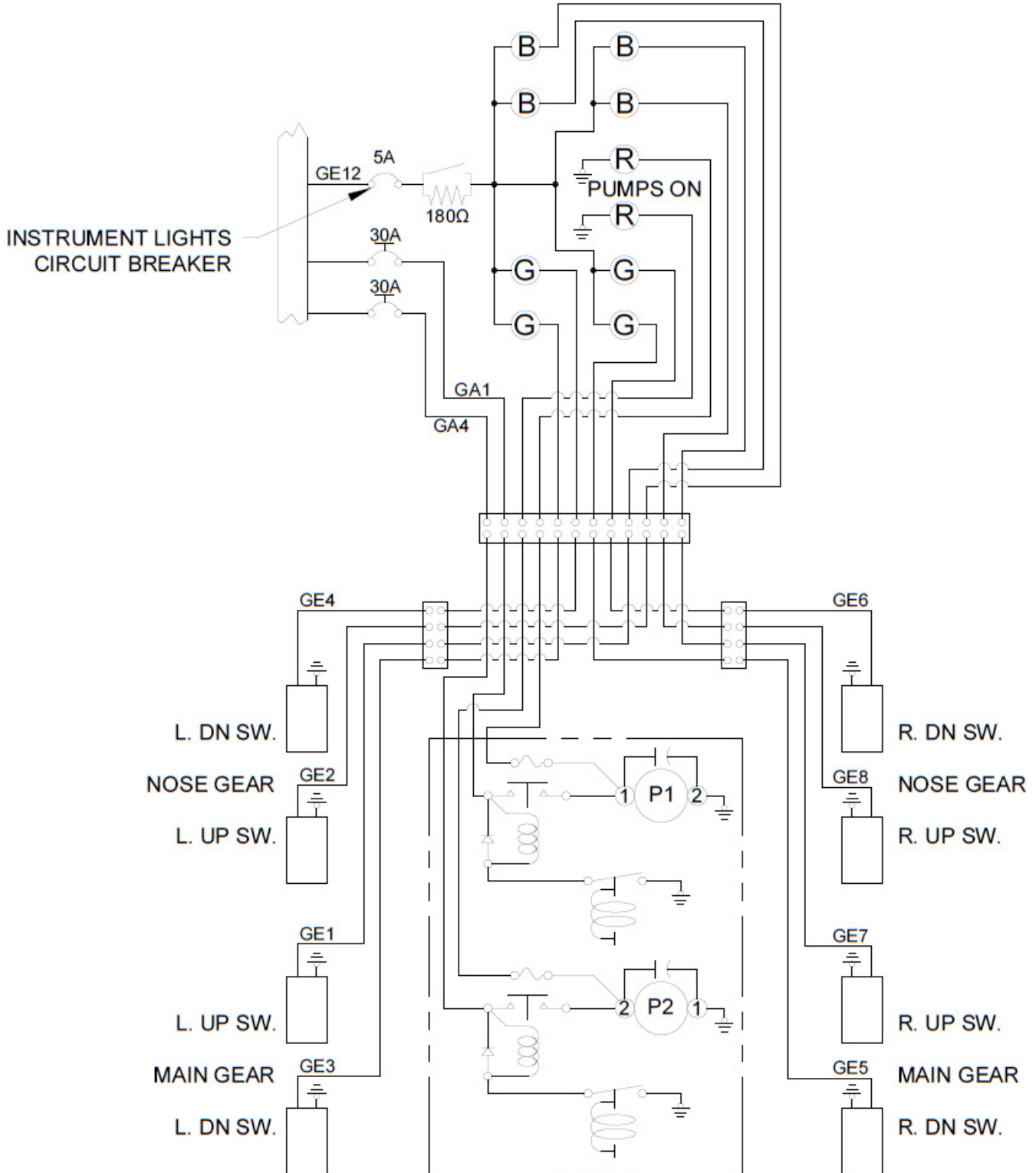
SECTION 11

ELECTRICAL

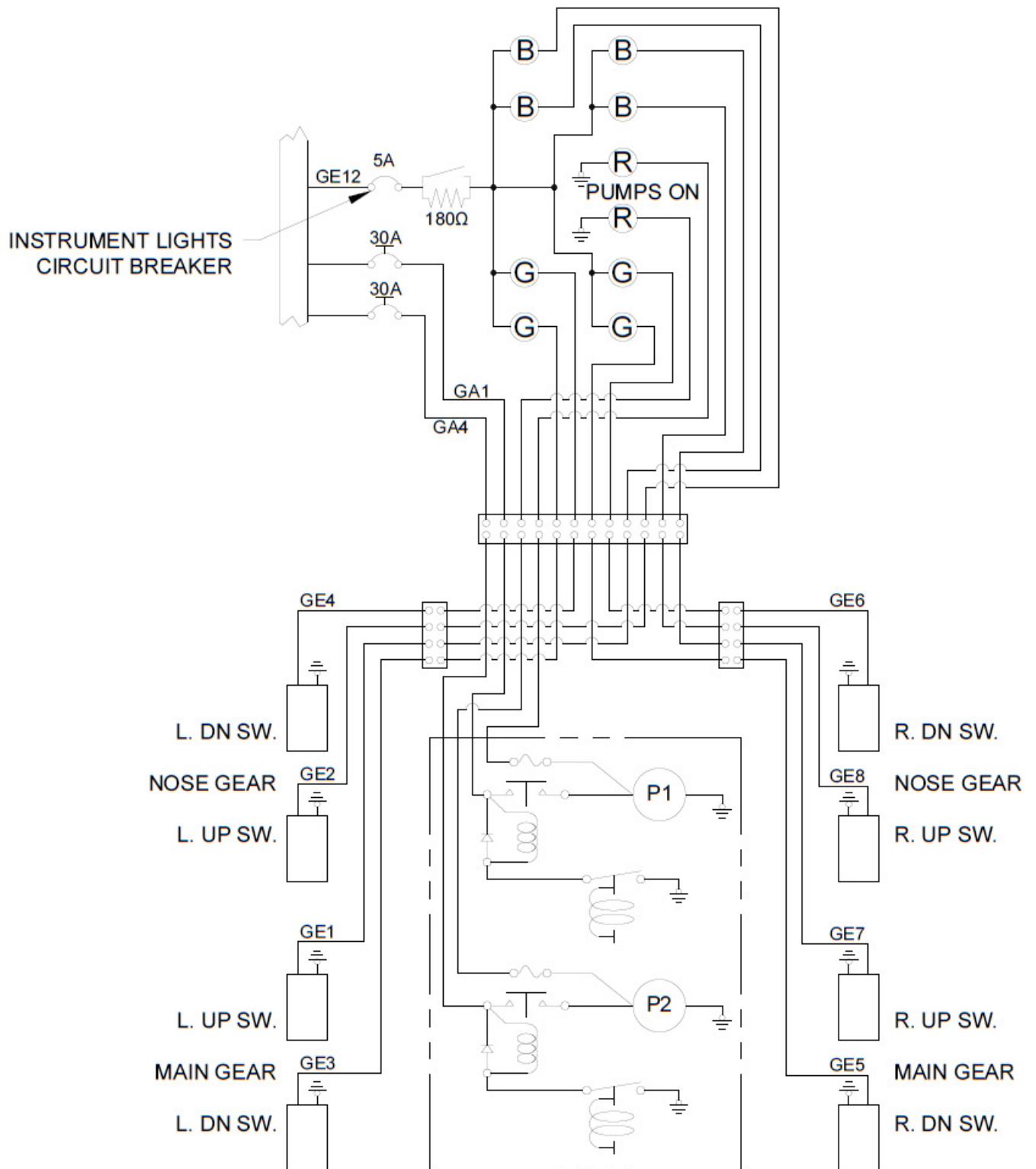
CONTENTS

ELECTRICAL SCHEMATIC AMPHIBIAN POST SERVICE LETTER 215	106
ELECTRICAL SCHEMATIC AMPHIBIAN PRE SERVICE LETTER 215	107
GEAR CONTROL ASSEMBLY	108

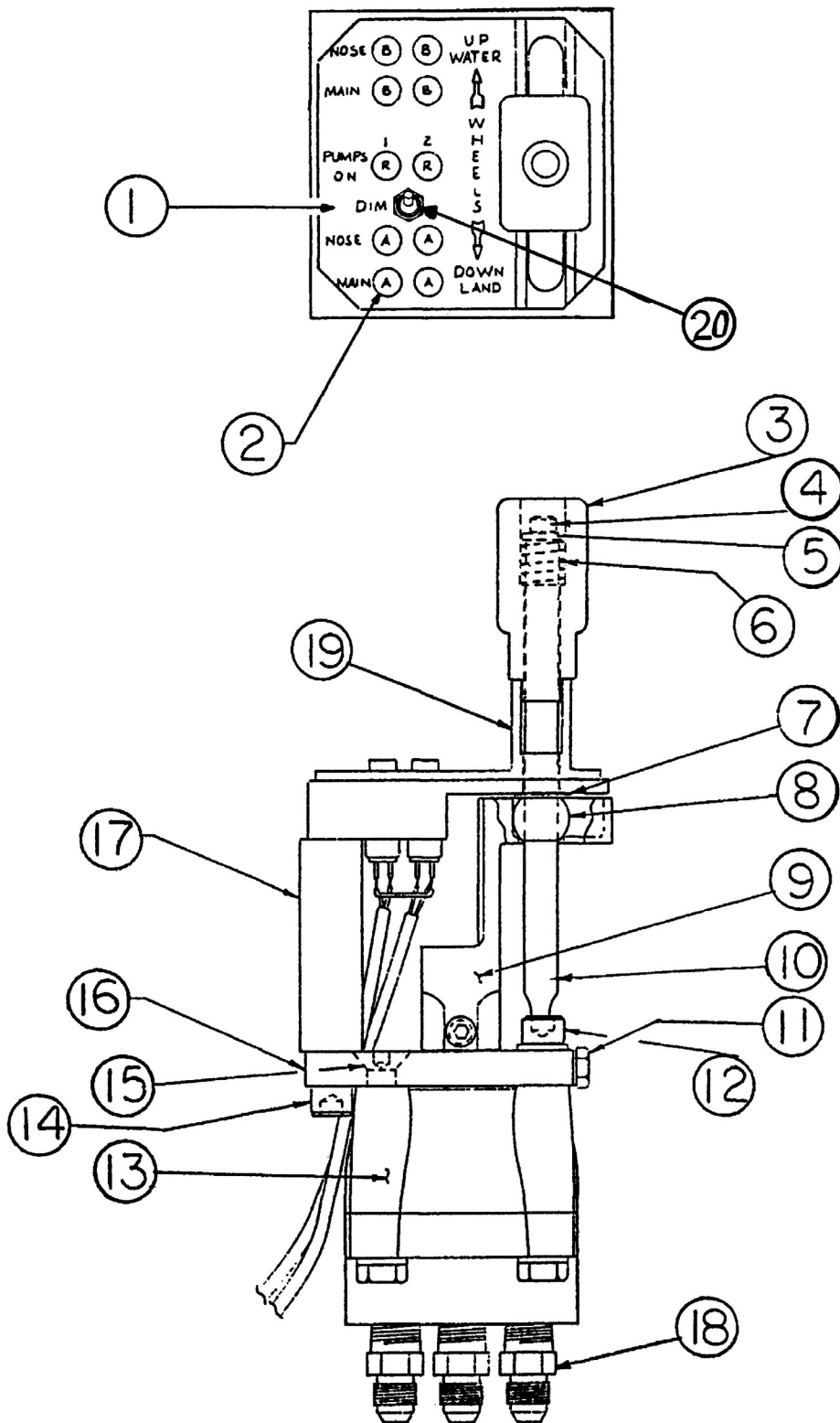
ELECTRICAL SCHEMATIC AMPHIBIAN POST SERVICE LETTER 215



ELECTRICAL SCHEMATIC AMPHIBIAN PRE SERVICE LETTER 215



GEAR CONTROL ASSEMBLY



PARTS MANUAL
8000 FLOATS ON DEHAVILLAND DHC-3 SINGLE OTTER

ITEM	QTY	PART NO.	PART DESCRIPTION
1	1	5A3-694	PLACARD
2	2	5073918-1431-600	LIGHT-RED
	4	5073918-1434-600	LIGHT-BLUE
	4	5073918-1433-600	LIGHT-AMBER
	10	515-0012	SOCKET
	3	AN526-832R8	SCREW
3	1	6A11603-002	KNOB
4	1	MS16996-10	SCREW
5	1	6A11274-002	WASHER
6	1	6A09713-001	SPRING
7	2	NAS1149D0616J	WASHER
8	1	6A11704-001	ROLLER
9	1	6A11032-002	LINK
10	1	6A11506-001	SHAFT
11	1	NAS6203-7	BOLT
12	2	MS16997-80	CAP SCREW
13	1	6A09000-080	VALVE
	1	KD70119	SEAL KIT
14	2	MS16997-88	CAP SCREW
15	2	MS24667-40	SCREW FLAT HEAD SOCKET
16	1	6A11190-001	FITTING
17	2	6A11278-001	SPACER
18	4	AN816-5-4D	NIPPLE
19	1	8A11199-006	BLOCK-HOUSING
20	1	A101SYCB	DIMMER SWITCH
21	1	6A09000-157	COMPLETE ASSEMBLY CONTROL VALVE

THIS PAGE INTENTIONALLY LEFT BLANK

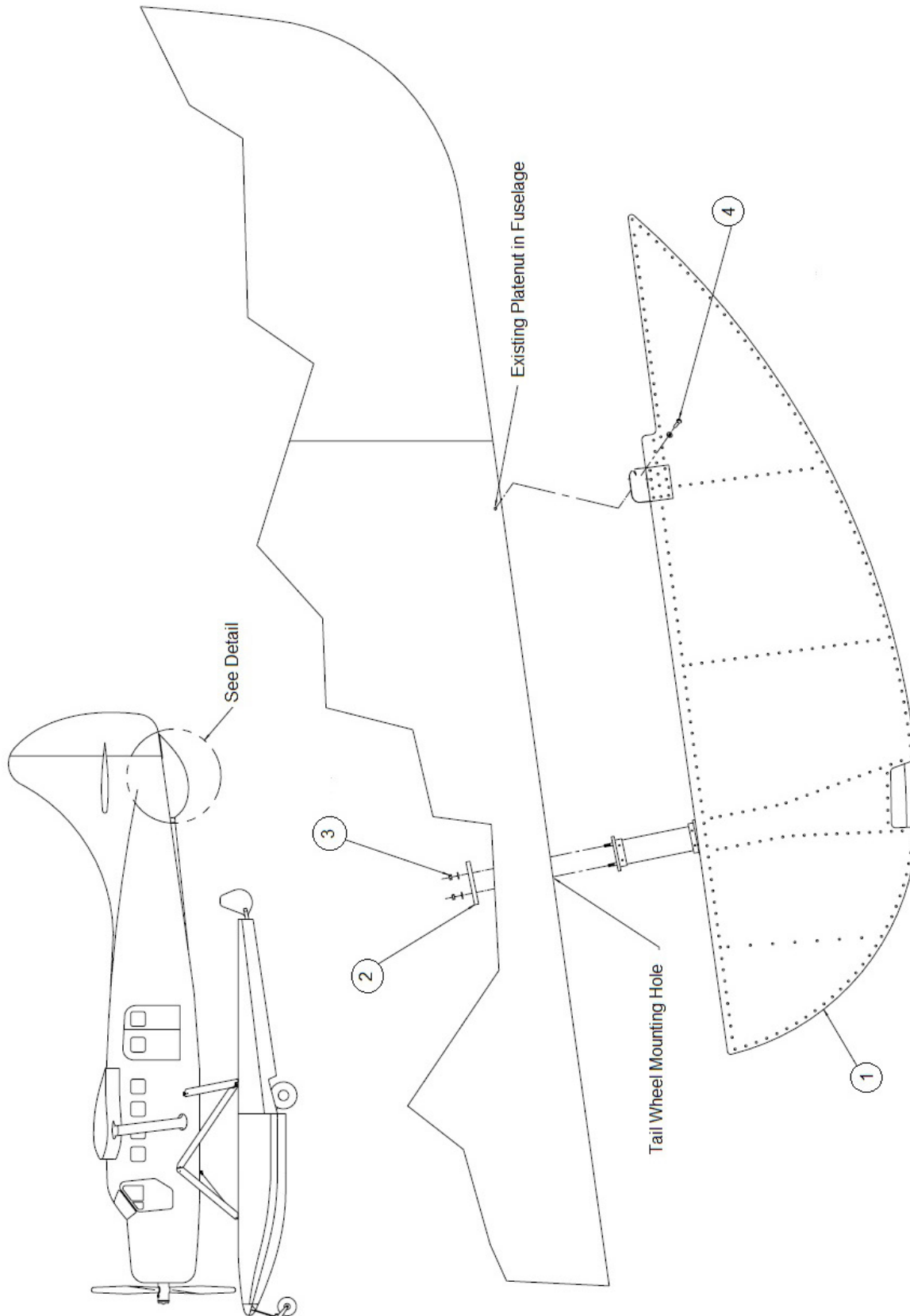
SECTION 12

VENTRAL FIN

CONTENTS

VENTRAL FIN - SINGLE OTTER INSTALLATION	112
VENTRAL FIN ASSEMBLY.....	114

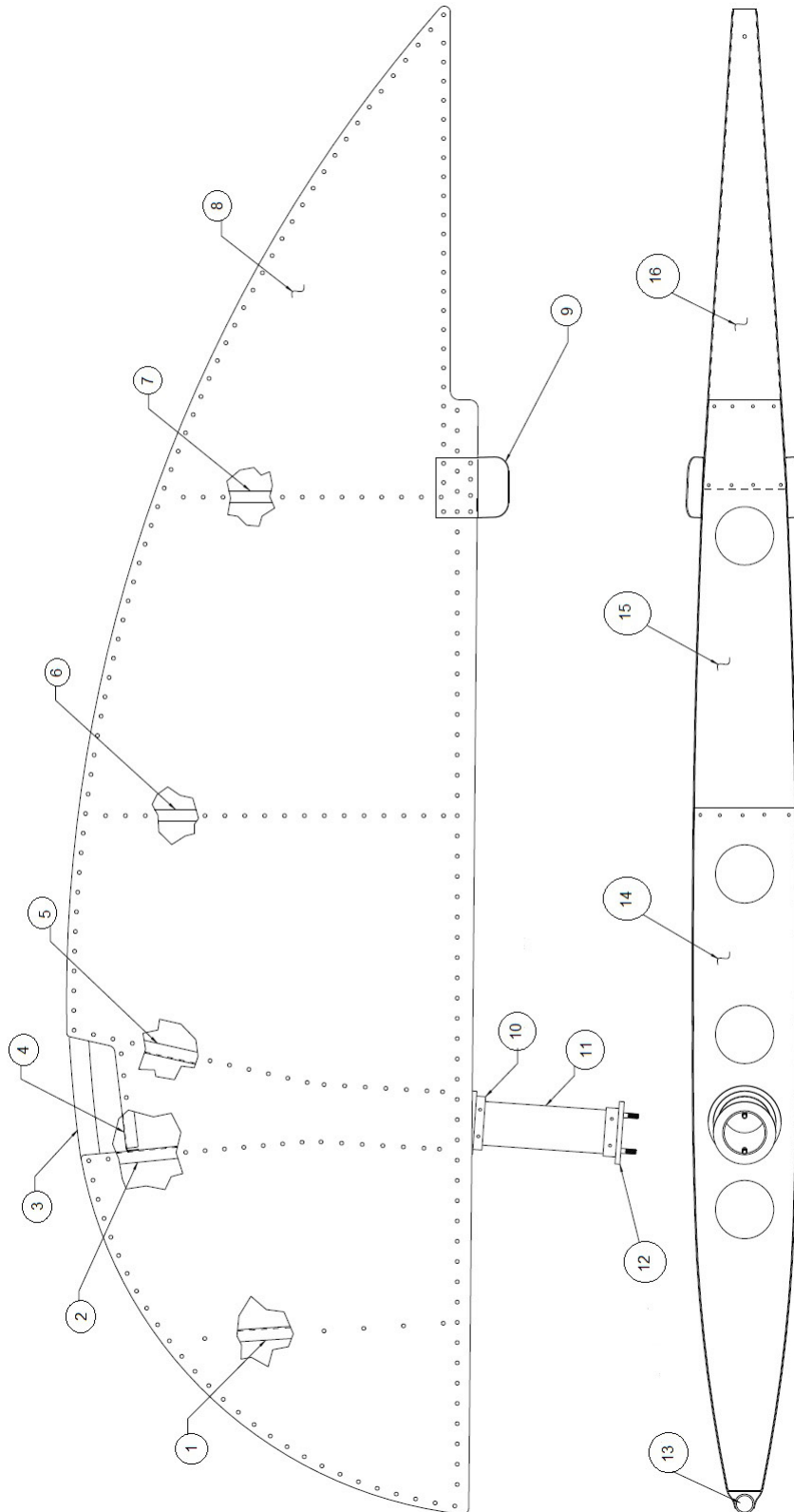
VENTRAL FIN - SINGLE OTTER INSTALLATION



PARTS MANUAL
 8000 FLOATS ON DEHAVILLAND DHC-3 SINGLE OTTER

ITEM	QTY	PART NO.	PART DESCRIPTION
1	1	9A12000-036	ASSY, VENTRAL FIN, SINGLE OTTER (SEE DETAIL)
2	1	9A12184-002	WASHER, VENTRAL FIN, ATTACH
3	2	MS21044N6	NUT
	2	NAS1149F0363P	WASHER
4	2	AN526-1032R12	SCREW
	2	NAS11491063P	WASHER

VENTRAL FIN ASSEMBLY



PARTS MANUAL
8000 FLOATS ON DEHAVILLAND DHC-3 SINGLE OTTER

ITEM	QTY	PART NO.	PART DESCRIPTION
1	1	9A12005-255	ANGLE, VENTRAL FIN, FWD, LEFT
	1	9A12005-256	ANGLE, VENTRAL FIN, FWD RIGHT
2	1	9A12002-124	RIB, VENTRAL FIN #1
3	1	9A12420-001	TUBE, VENTRAL FIN, FRAME
4	1	9A12004-082	VENTRAL FIN, RIB HANDLE
5	1	9A12002-125	RIB, VENTRAL FIN #2
6	1	9A12004-083	RIB, VENTRAL FIN #3
7	1	9A12004-084	RIB, VENTRAL FIN #4
8	1	9A12010-008	SIN, VENTRAL FIN, SIDE, RIGHT
	1	9A12010-007	SIN, VENTRAL FIN, SIDE, LEFT
9	1	9A12008-141	BRACKET, ATTACH, VENTRAL FIN, LEFT
	1	9A12008-140	BRACKET, ATTACH, VENTRAL FIN, RIGHT
10	1	9A12098-002	COLLAR, VENTRAL FIN ATTACH, LOWER
11	1	9A12000-030	ASSEMBLY, TUBE, VENTRAL FIN MOUNT
12	1	9A12256-007	COLLAR, VENTRAL FIN ATTACH, UPPER
13	1	9A12606-004	PLUG, TUBE, END
14	1	9A12010-009	RIB, VENTRAL FIN, UPPER, FWD
15	1	9A12010-010	RIB, VENTRAL FIN, UPPER, CENTER
16	1	9A12010-011	RIB, VENTRAL FIN, UPPER, AFT