



WIPLINE FLOATS • SKIS • MODIFICATIONS • AIRCRAFT SALES
AVIONICS • INTERIOR • MAINTENANCE • PAINT REFINISHING

SERVICE LETTER 240

INSTALL TOP DECK PUMP OUT CUP DUCKBILL VALVE

Aircraft Makes/Model(s):	Float Model(s):	Compliance: Optional	By: MAS
All Aircraft	All Float Models	Part Number: 1011979	Approved: SDW
		Date: 10/8/2021	Revision: A

LOG OF REVISIONS

Revision	Description	Date
A	Initial release	10/8/2021

FAA approval has been obtained for technical data in this publication that affects STC or TSO design compliance.

EFFECTIVITY:

This service letter applies to all floats with currently installed pump out plugs p/n 2111.

COMPLIANCE:

Optional, the new valve assembly is fully interchangeable with the current plug.

BACKGROUND:

Pump out plugs p/n 2111 do not always stay lodged in the cup. A new design includes a retainer that is installed in the cup with clear RTV adhesive (or equivalent) and a rubber, replaceable "Duckbill" valve. This will also allow pumping out water from the float without pulling the plug. See Figure 1 at the end of this service letter.

COMPLIANCE METHOD:

Install retainer / valve in as many top deck pump out cups as desired. It is recommended to replace all during this service letter.

APPROXIMATE SHOP HOURS:

Varies per float model. Estimate 5 minutes per pump out cup / plug.

WARRANTY INFORMATION:

This service letter does not include warranty for labor and parts.

TECHNICAL DATA:

Copies of this service letter, associated service kit (if applicable), float service manual, and float parts manual are available at www.wipaire.com.

1700 Henry Ave - Fleming Field (KSGS), South St. Paul, MN 55075

Phone: 651.451.1205 | Fax: 651.457.7858

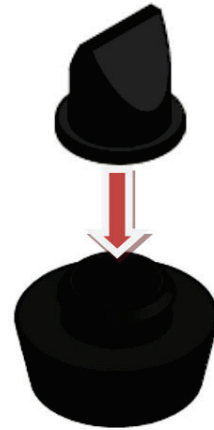
www.wipaire.com

ITEMS PROVIDED IN SERVICE KIT 1011979-01
NOTE: ORDER QUANTITY AS NEEDED (QUANTITY IS PER PUMP OUT CUP)

ITEM	QTY	PART NUMBER	DESCRIPTION
1	1	1011808	RETAINER, DUCKBILL VALVE – PUMPOUT PLUG
2	1	1011870	DUCKBILL VALVE – PUMPOUT PLUG
3	A/R	N/A	SILICONE RTV, CLEAR ADHESIVE (OR EQUIVALENT)



Current Pump Out Plug



**New Pump Out
 Duckbill Valve with retainer**

Work Instructions

1. For each pump out cup:
 - a. Remove the current plug
 - b. Clean the cup from dirt and debris. Use IPA or proper cleaner as prep for adhesive.
 - c. Using clear RTV or equivalent (any color can be used), install the retainer in the cup.
 - d. After adhesive has cured, install the duckbill valve onto the retainer

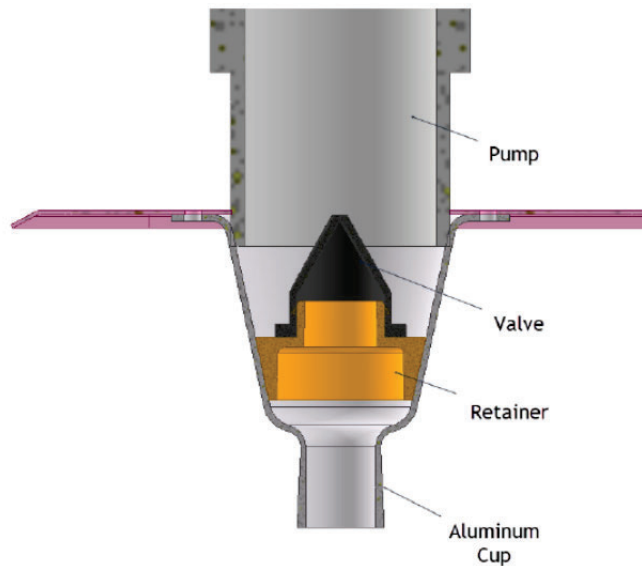


Figure 1 – New Pump Out Setup



Aircraft Closing & Return to Service

1. Upon completion of inspection, enter information in Aircraft Logbook for completion of Wipaire Service Letter 240.