



WIPLINE FLOATS • SKIS • MODIFICATIONS • AIRCRAFT SALES
AVIONICS • INTERIOR • MAINTENANCE • PAINT REFINISHING

SERVICE LETTER 234

Trimming of Fire Boss Interconnect Assembly

Aircraft Makes/Model(s):	Float Model(s):	Compliance: Optional	By: MAB
Air Tractor AT-802 & AT-802A	10000A	Part Number: 1011928	Approved: SDW
		Date: 7/13/2021	Revision: A

LOG OF REVISIONS

Revision	Description	Date
A	Initial release	7/13/2021

FAA approval has been obtained for technical data in this publication that affects STC or TSO design compliance.

EFFECTIVITY:

This service letter applies to Air Tractor models AT-802 and AT-802A with Wipline 10000 Amphibian Floats installed per STC SA01795CH.

COMPLIANCE:

Optional compliance

BACKGROUND:

During installation of steering/retract/balance cables, the interconnected assemblies are slightly "clocked" about their connections to the tubular frame in order to provide clearance. This introduces a possibility of interfering with other aircraft rigging, especially while adjusting the rudder pedals.

COMPLIANCE METHOD:

Modify both interconnect assemblies as shown in the Work Instruction section of this service letter.

APPROXIMATE SHOP HOURS:

The work instruction for this service letter will take approximately 2 labor hours.

WARRANTY INFORMATION:

This service letter does not include warranty for labor and parts.

TECHNICAL DATA:

Copies of this service letter, associated service kit (if applicable), float service manual, and float parts manual are available at www.wipaire.com.

1700 Henry Ave - Fleming Field (KSGS), South St. Paul, MN 55075

Phone: 651.451.1205 | Fax: 651.457.7858

www.wipaire.com

Work Instructions

1. Gain access to the interconnect assemblies and trim approximately 0.75" from the top of each aft arm. Do not interfere with the cable and hardware below (remove these items as needed while cutting). See Figure 1.
2. Curve and smooth any sharp corners or edges.
3. Prime and paint the cut edges.
4. Reinstall aircraft panels.

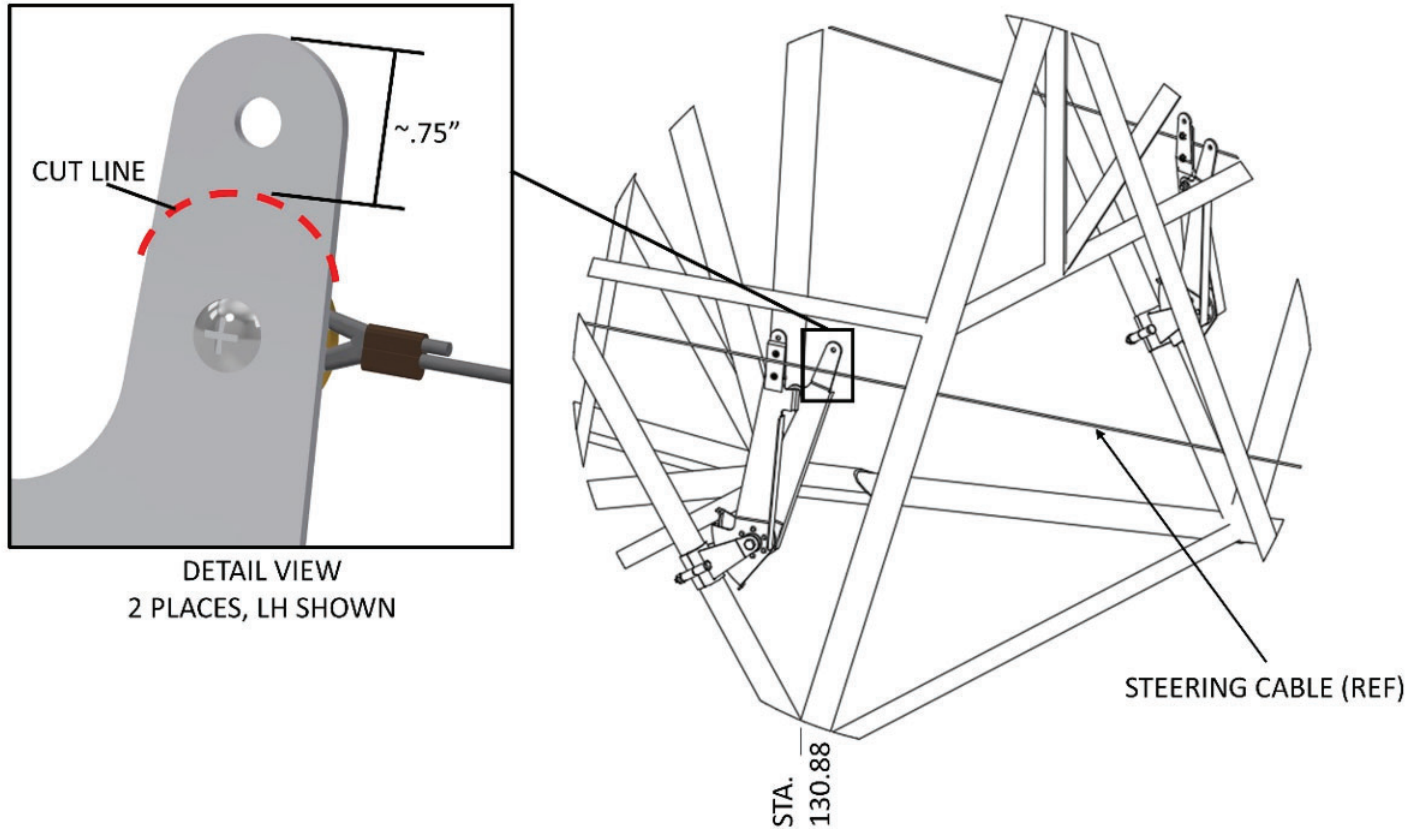


Figure 1

Aircraft Closing & Return to Service

1. Upon completion of inspection, enter information in Aircraft Logbook for completion of Wipaire Service Letter 234.