



WIPLINE FLOATS • SKIS • MODIFICATIONS • AIRCRAFT SALES
AVIONICS • INTERIOR • MAINTENANCE • PAINT REFINISHING

SERVICE LETTER 238

Cessna 206 Hydraulic Pump Replacement on 3730A Floats

Aircraft Makes/Model(s):	Float Model(s):	Compliance: Optional	By: MAS
Textron Aviation 206 Series	3730A	Part Number: 1011970	Approved: SDW
		Date: 9/14/2021	Revision: A

LOG OF REVISIONS

Revision	Description	Date
A	Initial release	9/14/2021

FAA approval has been obtained for technical data in this publication that affects STC or TSO design compliance.

EFFECTIVITY:

This service letter applies to Textron Aviation model 206 series with Wipline 3730 Amphibian Floats installed per STC SA666CE and STC SA18GL.

COMPLIANCE:

Optional compliance

BACKGROUND:

Textron Aviation (Cessna) 206 Hydraulic Pump Assembly 24 VDC p/n 3A09000-026 has been discontinued. This service letter provides the option to replace it with pump p/n 1011952 for the 24 VDC.

COMPLIANCE METHOD:

Install provided parts as shown in the Work Instruction section of this service letter.

APPROXIMATE SHOP HOURS:

The work instruction for this service letter will take approximately 8 labor hours.

WARRANTY INFORMATION:

This service letter does not include warranty for labor and parts.

TECHNICAL DATA:

Copies of this service letter, associated service kit (if applicable), float service manual, and float parts manual are available at www.wipaire.com.

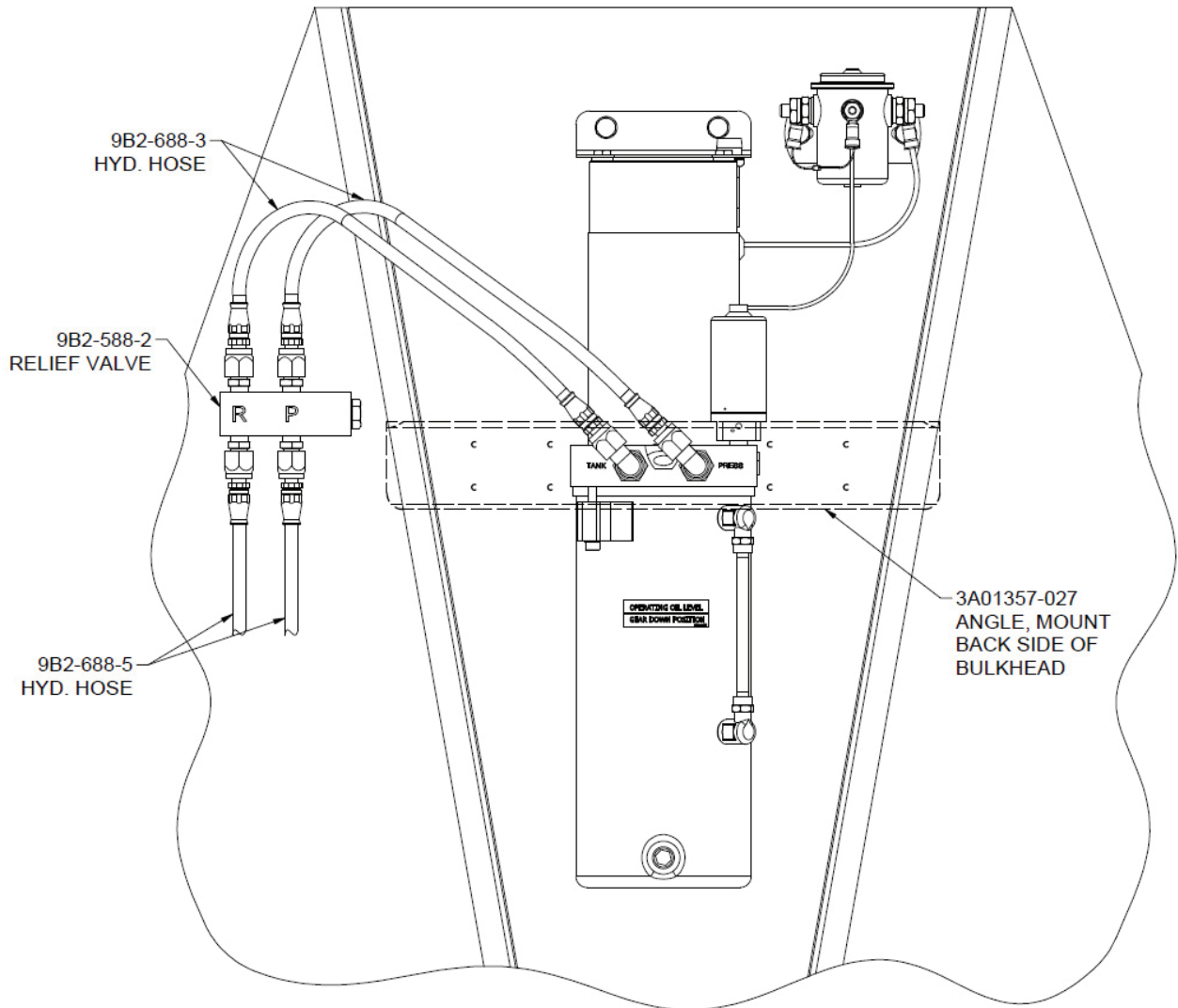
1700 Henry Ave - Fleming Field (KSGS), South St. Paul, MN 55075

Phone: 651.451.1205 | Fax: 651.457.7858

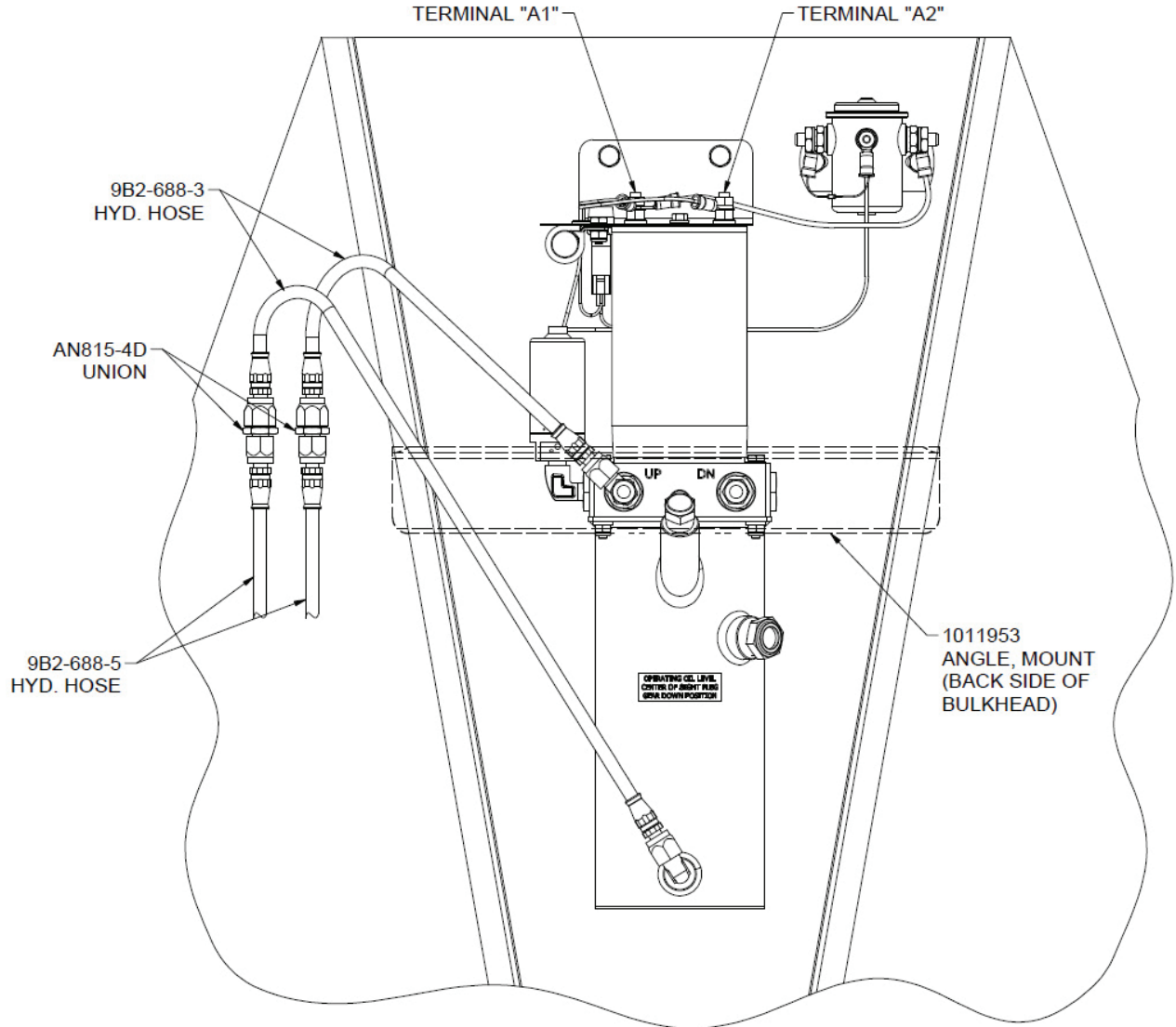
www.wipaire.com

ITEMS PROVIDED IN SERVICE KIT 1011970-01 (24 VDC HYDRAULIC PUMP)

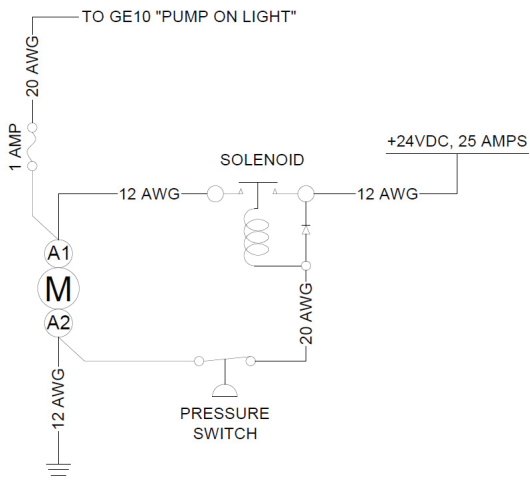
ITEM	QTY	PART NUMBER	DESCRIPTION
1	1	1011952	ASSEMBLY, HYDRAULIC POWER PACK, 24V
2	1	1011953	BRACKET, HYDRAULIC PUMP MOUNT, LOWER
3	3 FT	22759-16-12-9	WIRE, 12 AWG, WHITE
4	3 FT	22759-16-20-9	WIRE, 20 AWG, WHITE
5	2	320559	CRIMP TERMINAL, BUTT, 22-16 AWG
6	2	AN815-4D	UNION, FLARE TO FLARE, 7/16-20 THREAD
7	2	MS16997-99	SCREW, CAP, SOCKET HEAD
8	1	MS25036-103	RING TERMINAL, #10 STUD, 22-16 AWG, RED
9	1	MS25036-113	RING TERMINAL, 5/16" STUD, 12-10 AWG, YELLOW
10	3	MS25036-157	RING TERMINAL, 1/4" STUD, 12-10 AWG, YELLOW
11	2	MS35338-46	WASHER, SPLIT, LOCKING



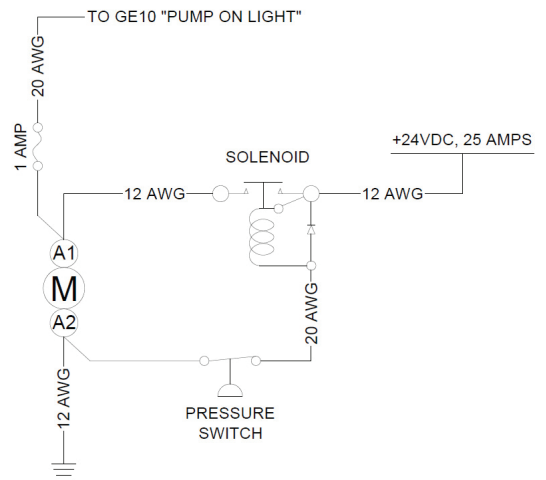
**DISCONTINUED OILDYNE HYDRAULIC PUMP
3A09000-026**



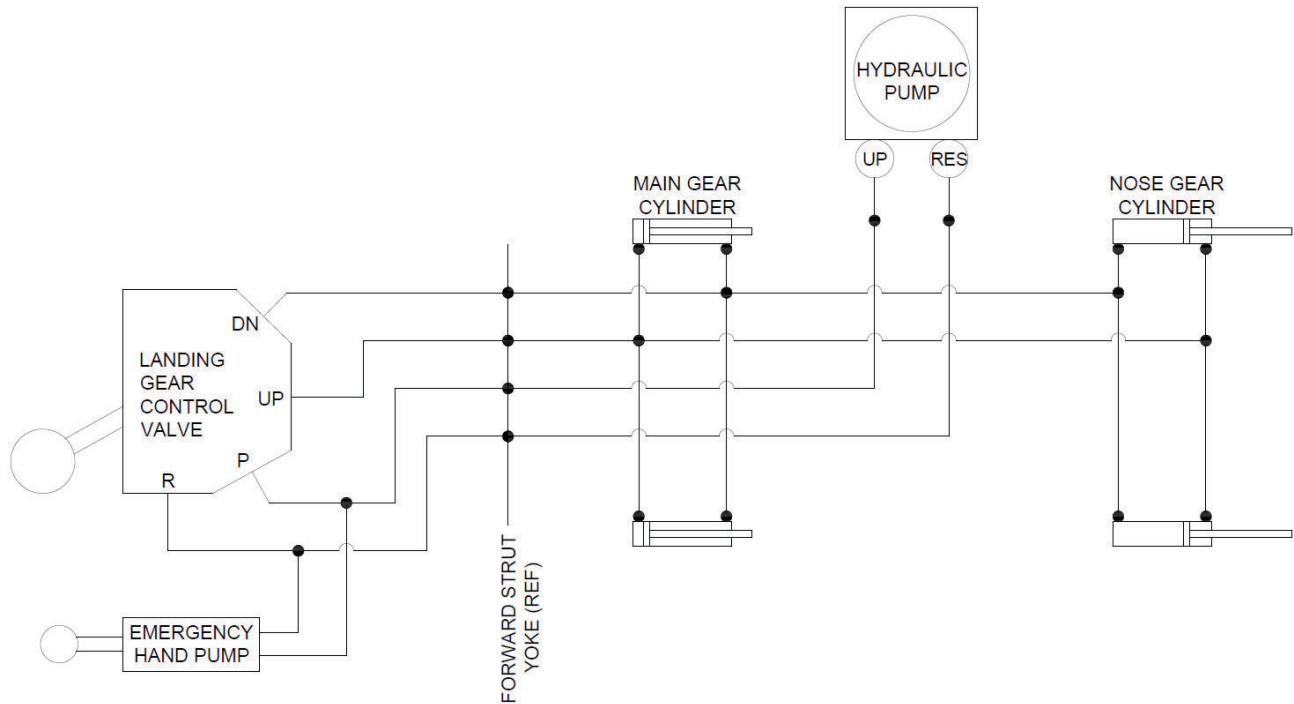
**NEW HYDRAULIC PUMP
1011952**



**3 LUG SOLENOID
ELECTRICAL SCHEMATIC**



**4 LUG SOLENOID
ELECTRICAL SCHEMATIC**



HYDRAULIC SCHEMATIC

Work Instructions

24 VDC Hydraulic Pump

1. Pull hydraulic pump circuit breaker.
2. Remove electrical wire from hydraulic pump to large terminal on the electrical solenoid.
3. Remove electrical wires from hydraulic pump to aircraft ground.
4. Remove electrical wire from hydraulic pump pressure switch to small terminal on electrical solenoid.
5. Cut wire from hydraulic power pack fuse holder to "GE10" pump on light.
6. Note hydraulic pressure and return lines (9B3-688-3) from pressure relief assembly to hydraulic pump. Note hydraulic pressure and return lines (9B3-688-5) from pressure relief assembly to float deck.
7. Remove both 9B2-688-3 hydraulic lines from hydraulic pump and pressure relief assembly. Save for re-install.
8. Remove both 9B3-688-5 hydraulic lines from pressure relief assembly. Save for reinstall.
9. Remove and discard 9B2-588-2 relief valve assembly. The new pump has relief valves in reservoir.
10. Unbolt upper pump bracket from bulkhead.
11. Unbolt pump from bulkhead and 3A01357-027 lower mounting angle.
12. Drill out rivets and remove 3A01357-027 lower mounting angle.
13. Locate pump mounting hole of 1011953 lower mount angle with inboard mounting hole in float bulkhead. Match drill rivet holes (0.128) from bulkhead to angle. Secure angle to bulkhead with MS20470AD-4 rivets. Match drill outboard mounting hole (0.375) from lower mount angle through bulkhead.
14. Install new hydraulic power pack 1011952 onto bulkhead using supplied MS16997-99 socket head screws and MS35338-46 split washers.
15. Mount upper plate of new hydraulic power pack into existing holes in bulkhead with existing AN4-5A bolts, NAS1149DN432J washers, and MS21044N4 nuts.

16. If hydraulic lines 9B3-688-5 will not reach the pressure and return ports on hydraulic power pack, install AN815-4D unions with 9B3-688-3 hydraulic lines and install lines to hydraulic pump. Pressure line will go on the "UP" port and the return line will go on the fitting from bottom of reservoir. See hydraulic schematic.
17. Make a ground wire from lug "A2" on hydraulic pump motor to aircraft ground with supplied 12 AWG wire and ring connectors. See electrical schematic.
18. Make a wire from lug "A1" on hydraulic pump motor to open, large lug on solenoid using supplied 12 AWG wire and ring connectors. See electrical schematic.
19. Run the single open wire from hydraulic pump pressure switch to the small lug on solenoid with supplied wire and electrical connectors. See electrical schematic.
20. Run the open wire from hydraulic power pack fuse holder to "GE10" pump light on wire with supplied wire and electrical connectors. See electrical schematic.
21. Reset hydraulic pump circuit breaker, service pump reservoir with MIL-W-5606 hydraulic fluid and perform a retract/extension test to make sure system is functioning correctly. Watch the system for leaks and add MIL-H-5606 hydraulic fluid as needed.

Aircraft Closing & Return to Service

1. Upon completion of inspection, enter information in Aircraft Logbook for completion of Wipaire Service Letter 238.