



WIPLINE FLOATS • SKIS • MODIFICATIONS • AIRCRAFT SALES  
AVIONICS • INTERIOR • MAINTENANCE • PAINT REFINISHING

## SERVICE LETTER 260

### CANOE PADDLE / BRACKET UPDATE

<b>Aircraft Makes/Model(s):</b>	<b>Float Model(s):</b>	<b>Compliance:</b> Optional	<b>By:</b> MAS
Multiple	2100A, 2100S, 2350A, 2350S, 3000A, 3000S, 3450A, 3450S, 6100A, 6100S, 8000A, 8000S, 8750A, 8750S	<b>Part Number:</b> 1012485	<b>Approved:</b> DRH
		<b>Date:</b> 1/18/2024	<b>Revision:</b> A

### LOG OF REVISIONS

Revision	Description	Date
A	Initial release	1/18/2024

FAA approval has been obtained for technical data in this publication that affects STC or TSO design compliance.

#### EFFECTIVITY:

This service letter applies to multiple aircraft models with Wipline 2100, 2350, 3000, 3450, 6100, 8000, and 8750 floats.

#### COMPLIANCE:

Compliance is optional. This general scheme may be applied to other float series which are not depicted, excluding 10000 and 13000 Wipline floats, which do not include factory-installed paddles.

#### BACKGROUND:

The Feather / Beaver brand canoe paddles have been discontinued by the manufacturer. The new canoe paddle, from a new manufacturer, does not fit into the existing brackets. Other enhancements have been made to address the corrosion of the steel retainer clip, and to make common mounting brackets across all float lines. The current paddle bracket has become unavailable for procurement, a new paddle is being introduced and it will require a new paddle bracket for fitment.

#### COMPLIANCE METHOD:

Replace the current brackets with the new brackets included in kits -01 through -04 per the Work Instructions in this service letter.

#### APPROXIMATE SHOP HOURS:

Performing the work instructions will take approximately 1 labor hour to complete.

#### WARRANTY INFORMATION:

This service letter does not include warranty for labor and parts.

#### TECHNICAL DATA:

Copies of this service letter, associated service kit (if applicable), float service manual, and float parts manual are available by contacting Wipaire customer service.

1700 Henry Ave - Fleming Field (KSGS), South St. Paul, MN 55075

Phone: 651.451.1205 | Fax: 651.457.7858

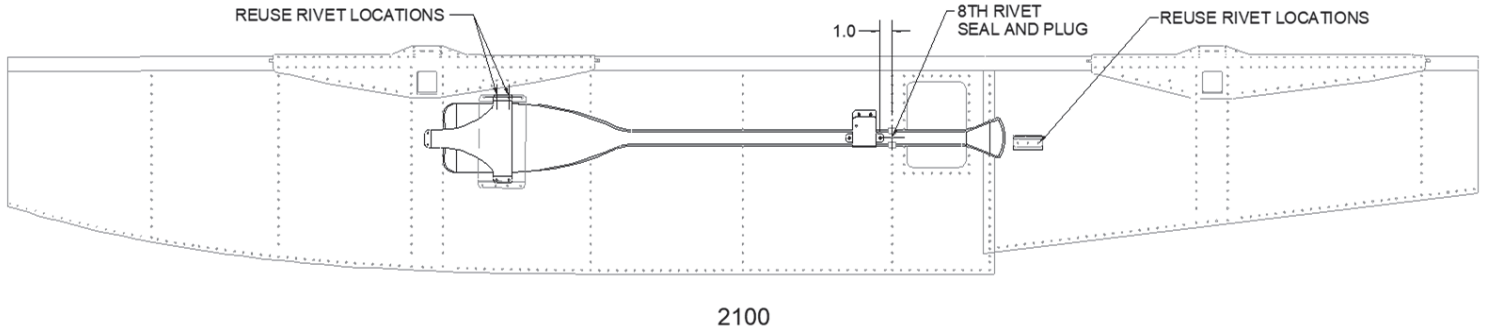
[www.wipaire.com](http://www.wipaire.com)

CONFIGURATION TABLE	
CONFIGURATION KIT NUMBER	DESCRIPTION
1012485-01	BRACKETS WITHOUT PADDLE
1012485-02	BRACKETS WITH 5.5' PADDLE (3450, 6100, 8000, 8750)
1012485-03	BRACKETS WITH 5.0' PADDLE (3000)
1012485-04	BRACKETS WITH 4.0' PADDLE (2100/2350)

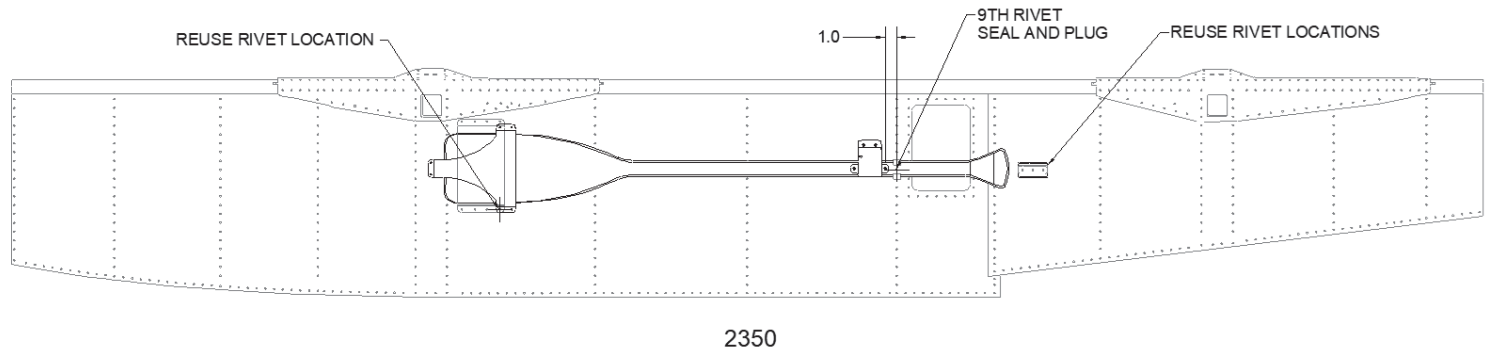
ITEMS PROVIDED IN SERVICE KIT 1012485-01, -02, -03, -04 (1 KIT PER FLOAT)						
ITEM	-01	-02	-03	-04	PART NUMBER	DESCRIPTION
1	1	1	1	1	1005676	BRACKET, CANOE PADDLE STOP
2	1	1	1	1	1005677	CLIP, MOUNTING, CANOE PADDLE
3	1	1	1	1	1005678	BRACKET, CANOE PADDLE
4	-	1	-	-	1012328	CANOE PADDLE, 5.5 FT
5	-	-	1	-	1012327	CANOE PADDLE, 5.0 FT
6	-	-	-	1	1012326	CANOE PADDLE, 4.0 FT
7	1	1	1	1	AN525-10R9	SCREW
8	1	1	1	1	MS21044N3	NUT
9	1	1	1	1	NAS1149F0363P	WASHER

## Work Instructions

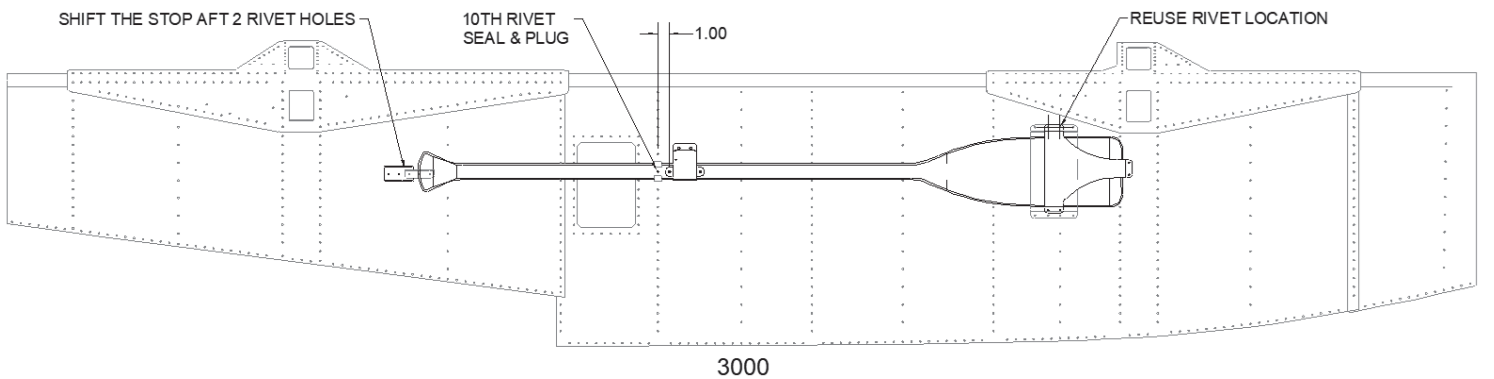
1. Optional: Prior to installation items 1, 2, and 3 may be painted to match float colors as needed.
2. Position and prepare aircraft for safe maintenance.
3. Remove current canoe paddle and mounting brackets.
4. Install items 1, 2, and 3 per appropriate float figures below.
5. Plug the existing spring clip bolt hole using, screw, nut & washer, (washer under the nut).
6. For kits -02, -03, and -04 install new paddle.
  - a. For kit -01 re-install existing paddle.



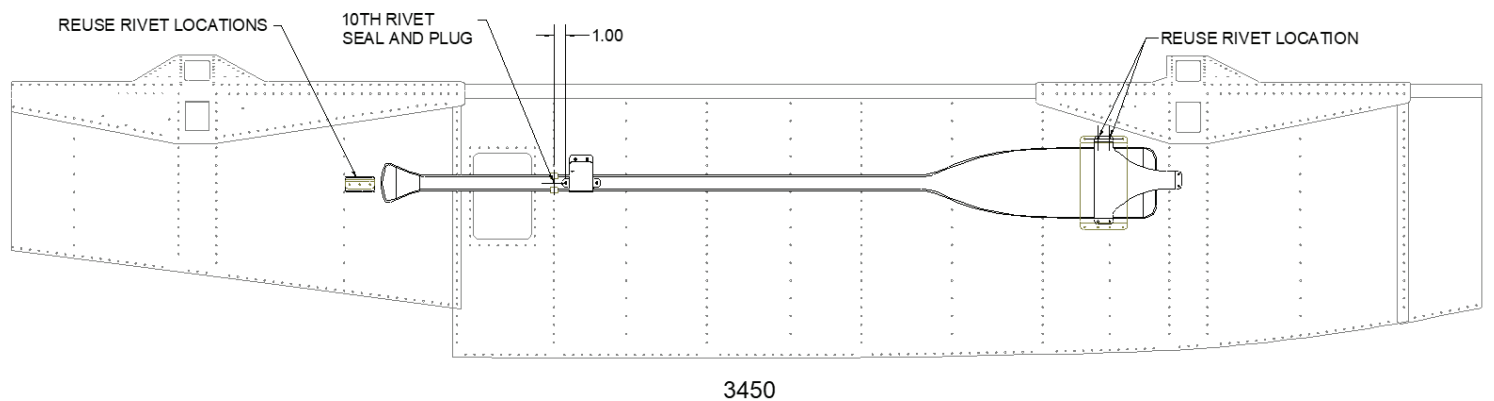
**Figure 1 - 2100 Floats**



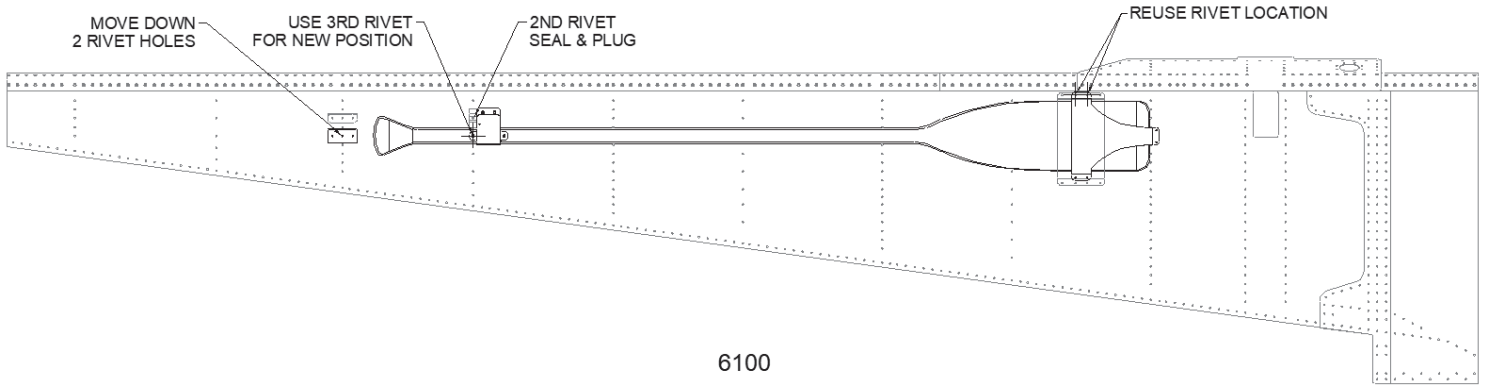
**Figure 2 - 2350 Floats**



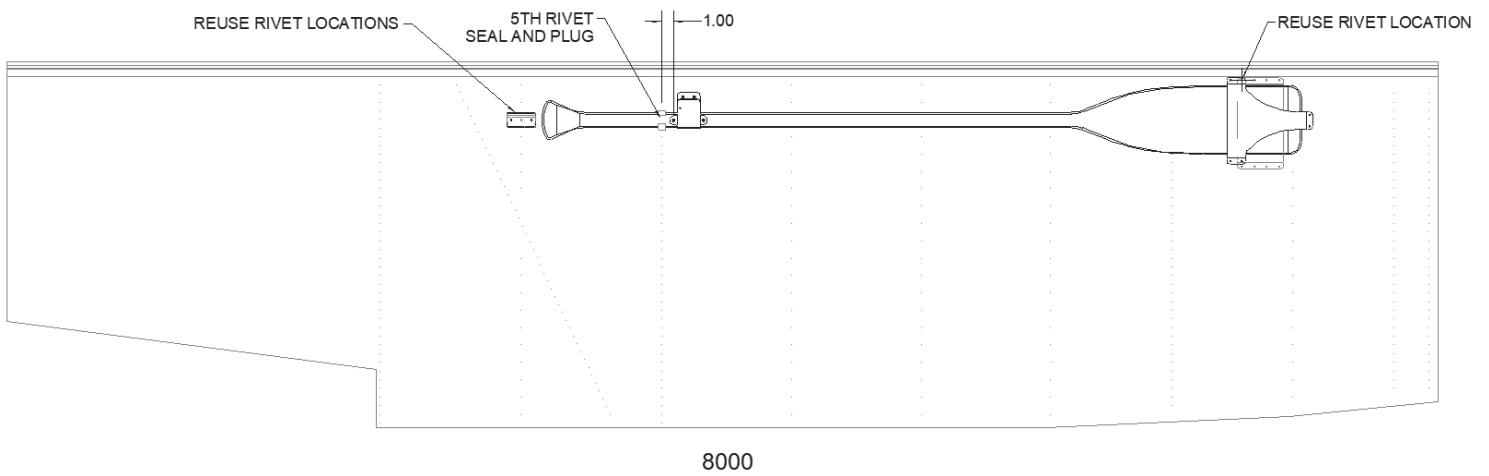
**Figure 3 - 3000 Floats**



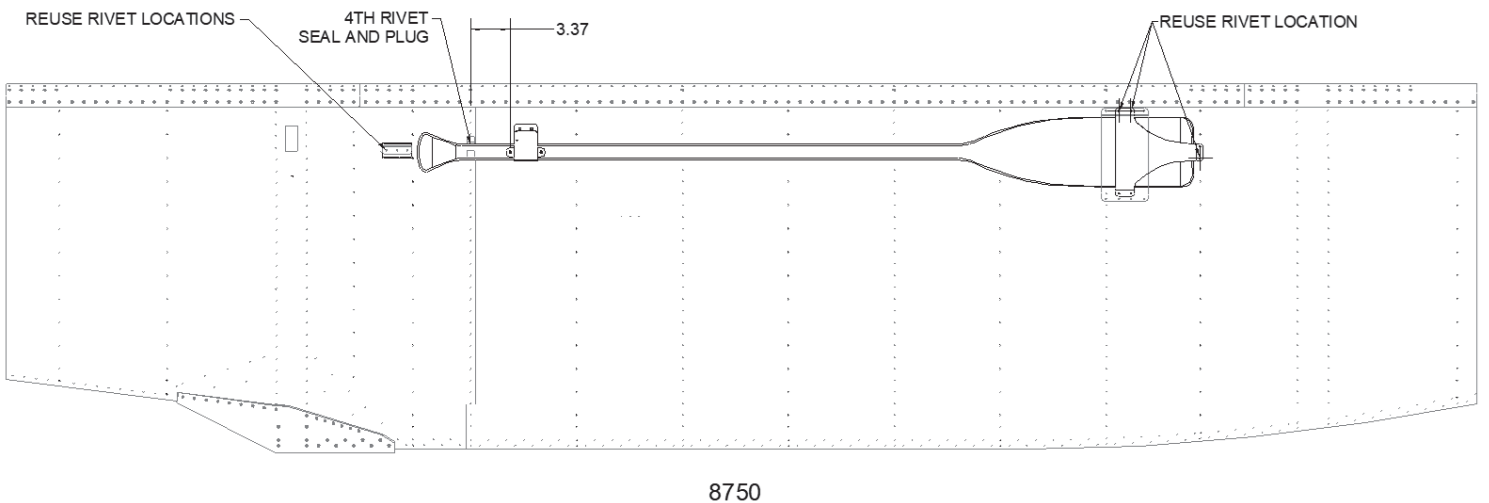
**Figure 4 - 3450 Floats**



**Figure 5 - 6100 Floats**



**Figure 6 - 8000 Floats**



**Figure 7 - 8750 Floats**

## Aircraft Closing & Return to Service

1. Upon completion of inspection, enter information in Aircraft Logbook for completion of Wipaire Service Letter 260.